

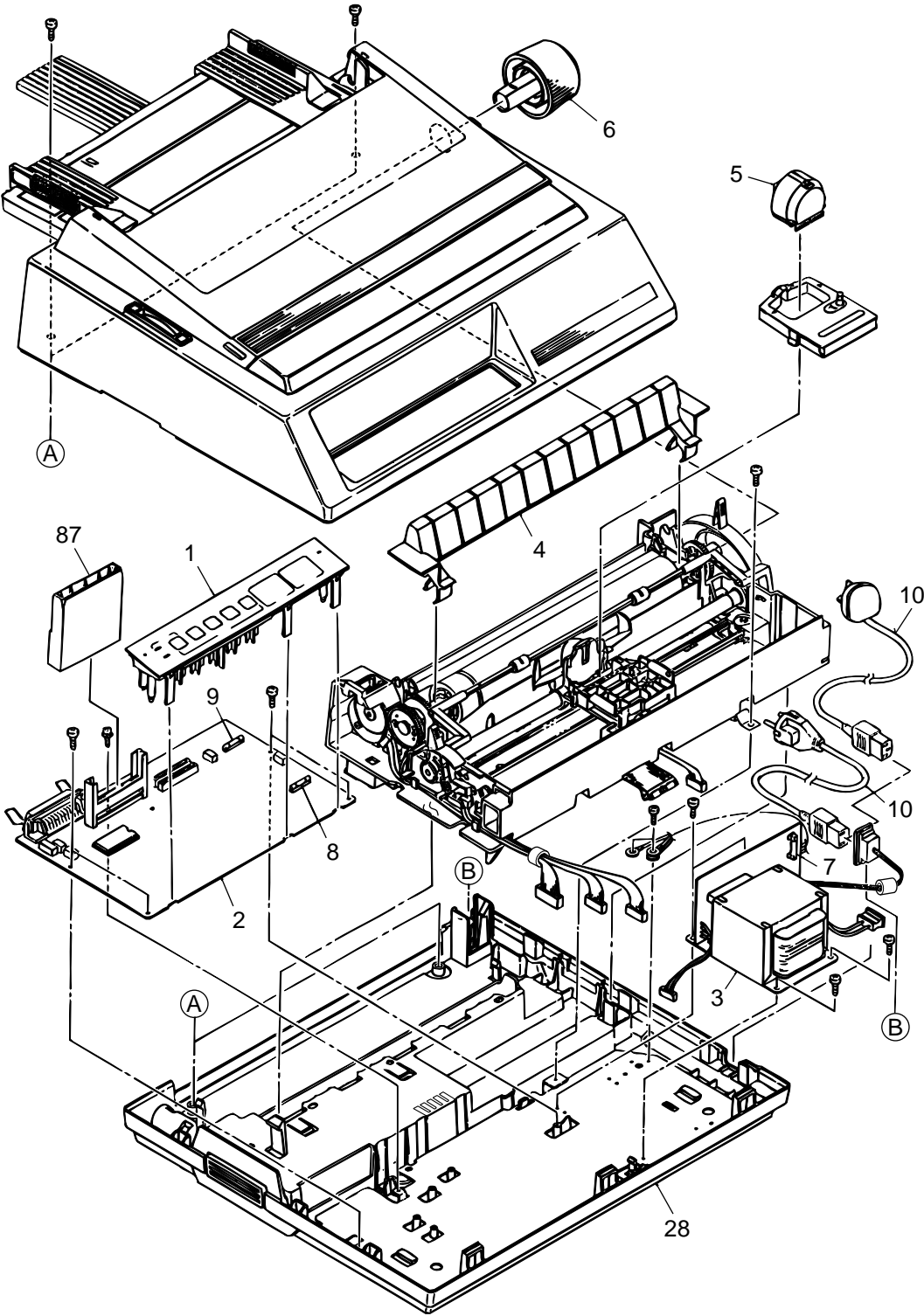
For ML380

No.	Item No.	Item name	Q'ty	Q'ty of parts for m'tenance/year	Remarks
				Unit : 500	
(Printer unit)					
1	3PP4043-3783G002	Operation panel	1	3	
2	4YA4042-1450G002	Control board	1	3	
	4YA4042-1450G012	Control board	1	3	Without ROM
3	4YB4049-1498P001	Power supply unit	1	3	For 220/240 V
4	42276301	Paper separator	1	3	
5	4YA4023-2011G002	Printhead	1	9	
6	3PP4025-2871P021	Platen knob	1	3	
7	540A2058T2132	Fuse,250 V,1.25 A	1	10	For 220/240 V
8	540A2046M1162	Fuse,125 V,1.6 A	1	10	
9	540A2046M1252	Fuse,125 V,2.5 A	1	10	
10	3YS4011-1187P001	AC cable	1	1	220V
	3YS4011-1213P001	AC cable	1	1	240V
(Cover parts)					
21	42274801	Middle cover	1	3	3.5Y8/0.5
22	1PP4094-1077P001	Access cover	1	3	
23	42434301	Sheet separator assembly	1	3	3.5Y8/0.5
24	42275301	Sheet separator	1	3	3.5Y8/0.5
25	42276201	Sheet support	1	3	3.5Y8/0.5
26	42276501	Sheet guide(R)	1	3	PMS Cool Gray 7C
27	42276601	Sheet guide(L)	1	3	PMS Cool Gray 7C
28	1PA4094-1073G001	Lower cover assembly	1	3	
29	42275201	Lower cover	1	3	3.5Y8/0.5
30	4PB4025-1137P002	Rubber leg	2	5	
31	2PP4094-1085P001	Shield plate	1	3	
32	+T2P3-8-HHC	Tapping screw	4	20	
(Printer mechanism)					
41	42433901	Main chassis	1	3	3.5Y8/0.5
42	3PP4043-3683P001	Idle pulley	1	3	
43	3PP4043-3755P001	Space rack	1	1	
44	4PP4043-3684P001	Adjust(ing) bush (L)	1	3	
45	4PP4043-3685P001	Adjust(ing) bush (R)	1	3	
46	4PP4043-3686P001	Eccentric collar	1	3	
47	3PP4043-3687P001	Adjust(ing) lever	1	3	
48	4PP4043-3756G001	Idle pulley bracket	1	1	
49	4LB-193000-1	Tension coil spring	1	5	
50	41767401	Platen assembly	1	3	
51	3PP4025-2819P001	Leaf spring(N)	1	3	
52	3PP4043-3690P001	Bottom paper end lever	1	3	
53	4PP4043-3764G001	Carriage frame	1	3	
54	4PP4025-1048P001	Head clamp	1	3	
55	3PB4043-3766P001	Head cable	1	10	
56	4PA4043-3767G001	Ribbon feed gear assembly	1	3	
57	2PP4043-3801P001	Carriage plate	1	3	
58	4PP4043-3768P001	Slider	1	5	
59	4PP4043-3802P001	Belt clamp	1	3	
60	4PB4043-3759P001	Space belt	1	3	
61	3PP4025-2836P001	Ribbon protector	1	5	
62	4PP4043-3769P001	Carriage shaft	1	3	
63	41795901	Bail bar assembly	1	3	
64	42277101	Bail arm (L)	1	3	PMS Cool Gray 7C
65	42277001	Bail arm (R)	1	3	PMS Cool Gray 7C
66	4PB4025-2843P001	Bail arm spring (L)	1	5	
67	4PB4025-2842P001	Bail arm spring (R)	1	5	
68	3PB4043-3772P001	LF motor	1	5	

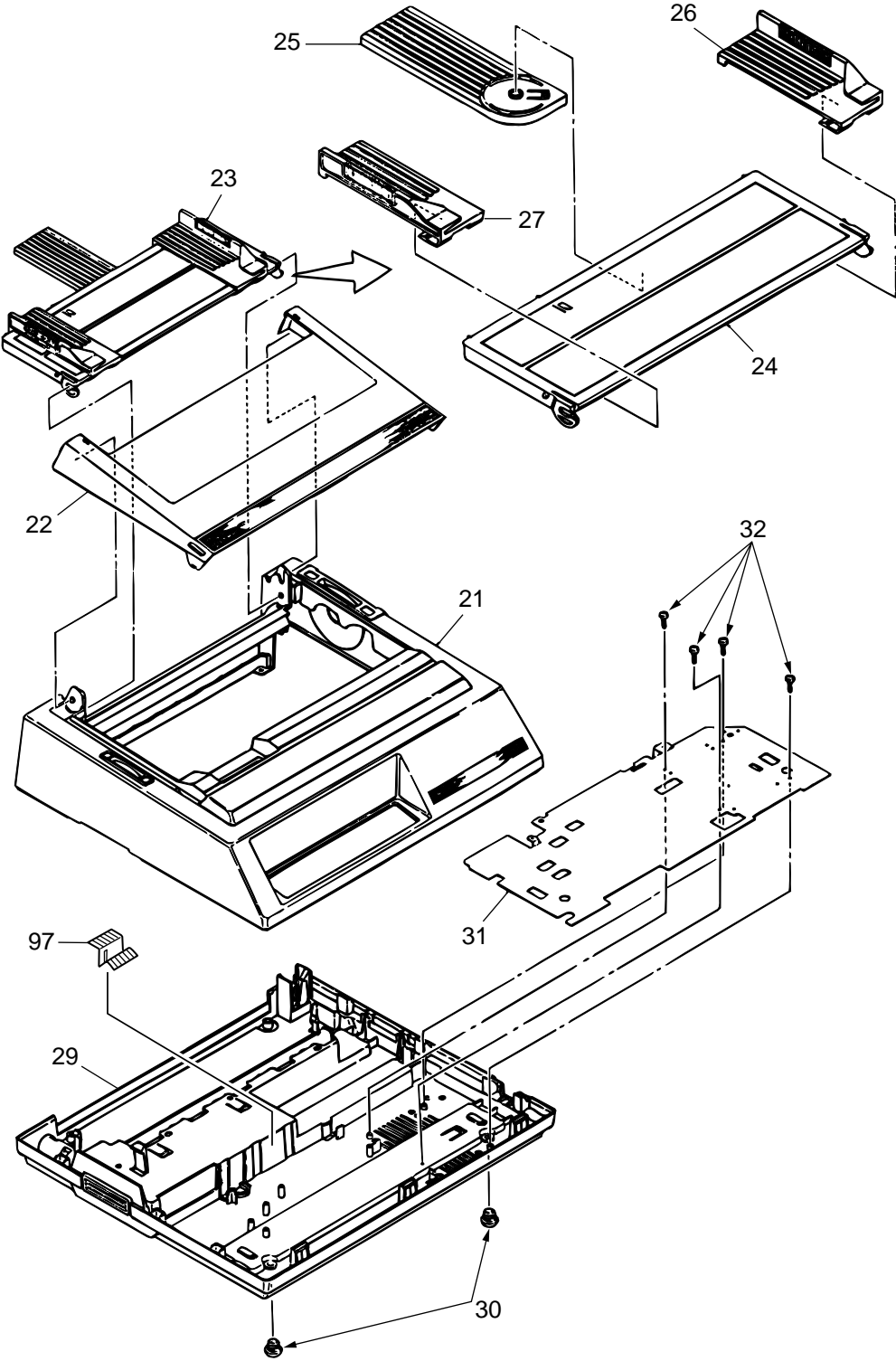
For ML380

No.	Item No.	Item name	Q'ty	Q'ty of parts for m'tenance/year	Remarks
				Unit : 500	
69	4PB4043-3964P001	Pressure roller assembly	1	3	
70	42434001	Paper chute assembly	1	3	3.5Y8/0.5
71	42276801	Release lever	1	3	PMS Cool Gray 7C
72	3PP4043-3704P001	Release link	1	3	
73	4PP4043-3705P001	Change gear	1	3	
74	4PP4043-3782P001	Change gear spring	1	3	
75	4PP4025-2868P001	Idler gear	1	3	
76	4PP4025-2869P001	Tractor gear	1	3	
77	3PB4043-3762P001	Space motor assembly	1	5	
78	41774401	Pin tractor assembly (R)	1	3	
79	41774501	Pin tractor assembly (L)	1	3	
80	4PP4043-3741P001	Center guide	1	3	
81	4PB4043-3865P001	Drive shaft	1	1	
82	4PP4043-3784P001	Lock shaft	1	1	
83	4YX4043-3780G001	Microswitch assembly	1	3	
84	4YX4043-3781G001	Photo sensor assembly	1	3	
85	4PB4013-3064P004	(Self) tapping screw	1	3	
85-1	2W3-HH	Washer	1	3	
86	4YS4011-1607G002	Earth code	1	3	
87	3PP4043-3742P001	IC card guide	1	3	
(Option parts)					
91	3PA4025-2971G001	Tractor unit	1	3	
92	1PP4094-1084P001	Tractor cover	1	3	
93	4YA4042-1451G002	RS-232C interface module	1	3	
94	4YA4042-1451G011	RS-232C interface board	1	3	Without ROM, cover
95	2PP4043-3717P001	Serial interface cover (lower)	1	3	
96	2PP4043-3718P001	Serial interface cover (upper)	1	3	
97	42485401	Spring	1	3	

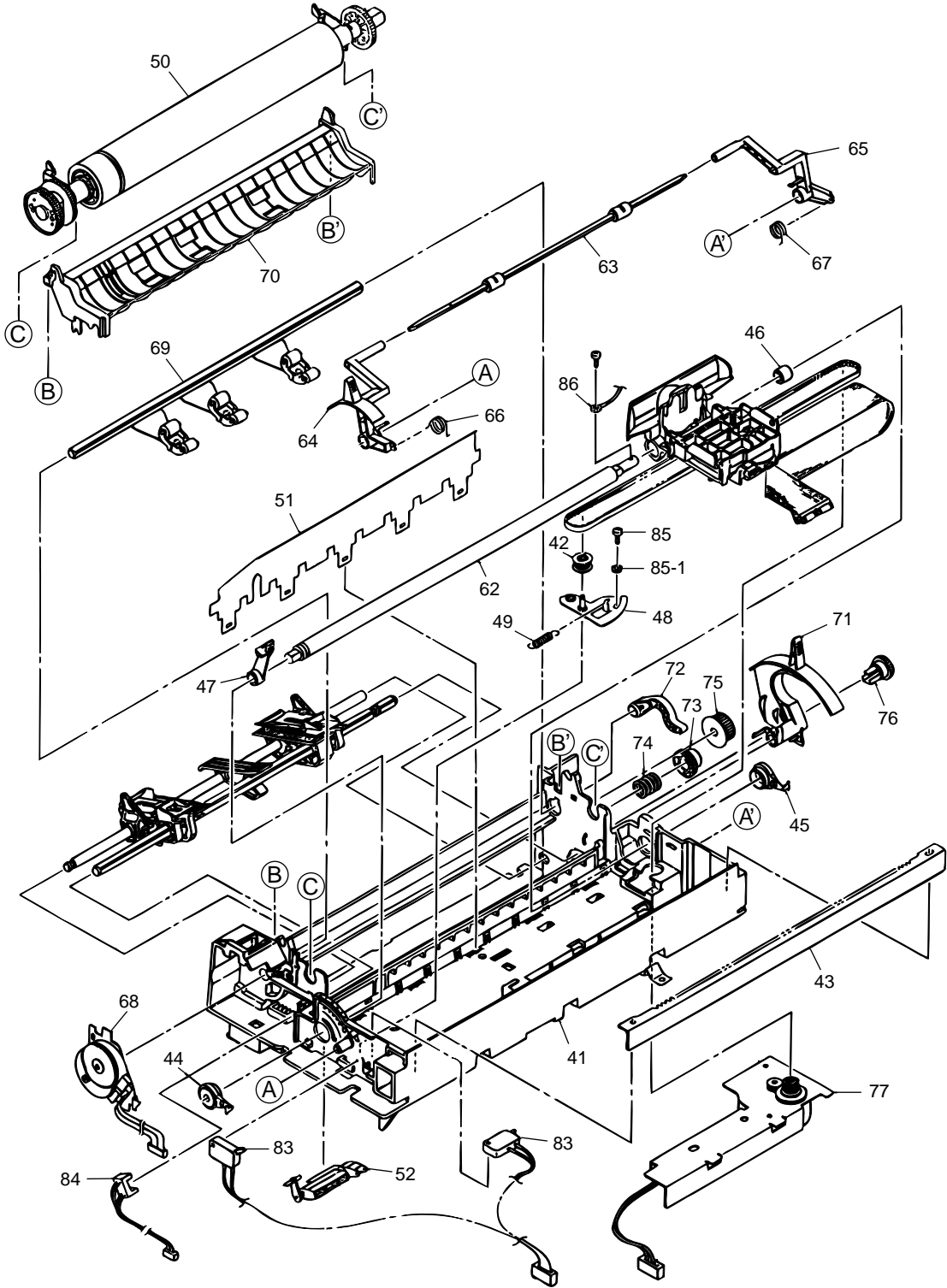
Printer unit



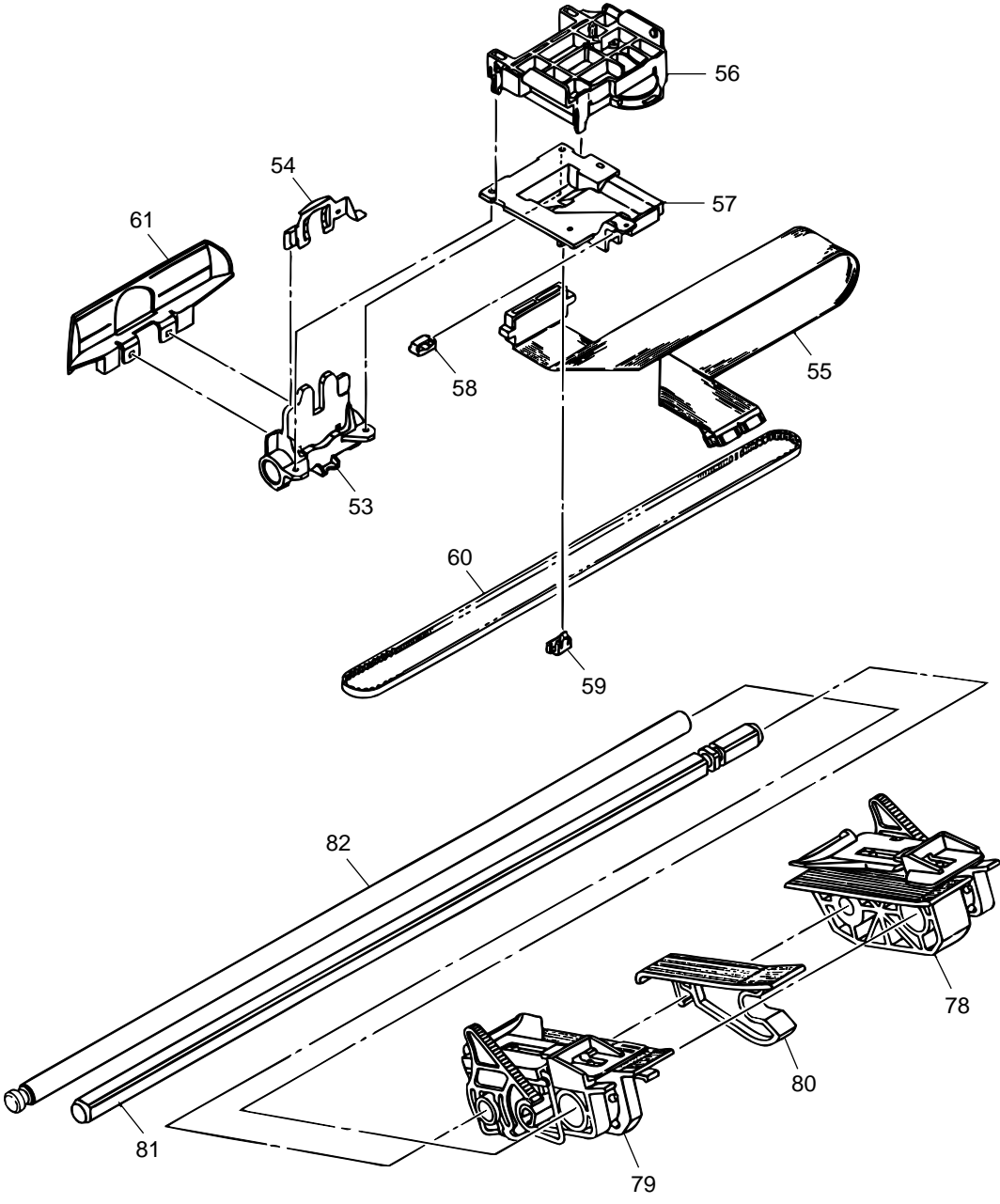
Cover parts



Printer mechanism(1/2)



Printer mechanism(2/2)



Option parts

