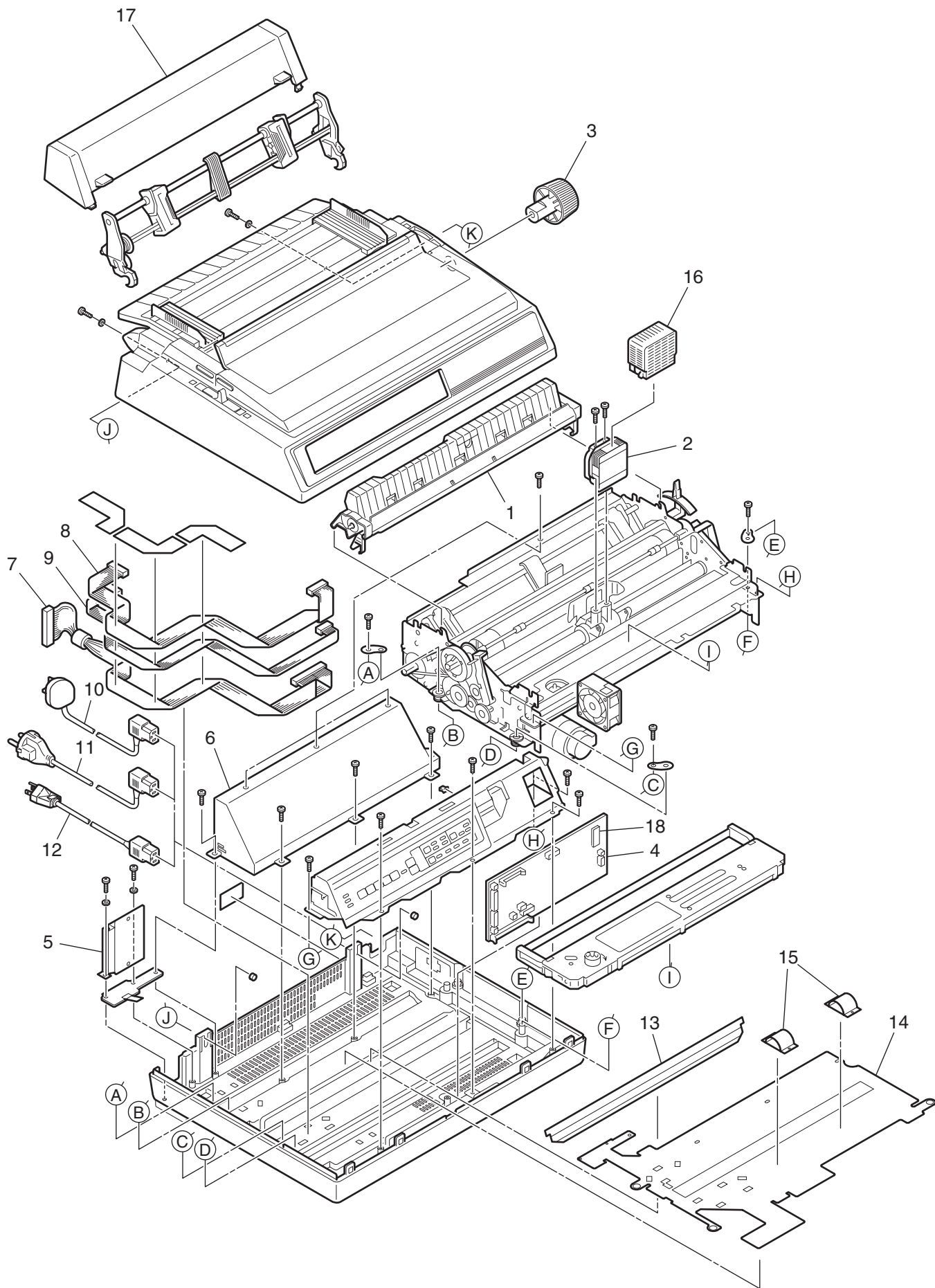


OEL Disassembly Drawing

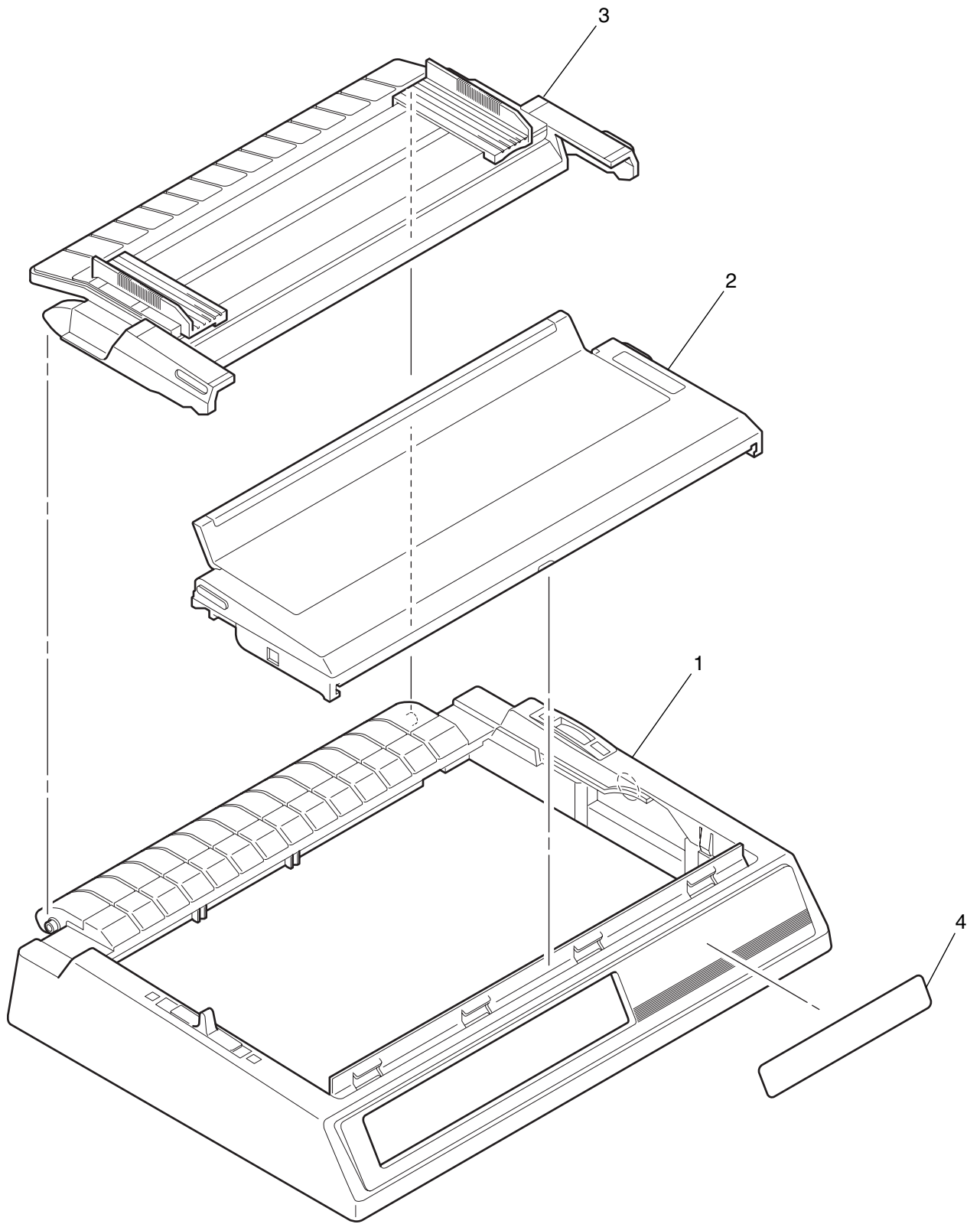
ML3410



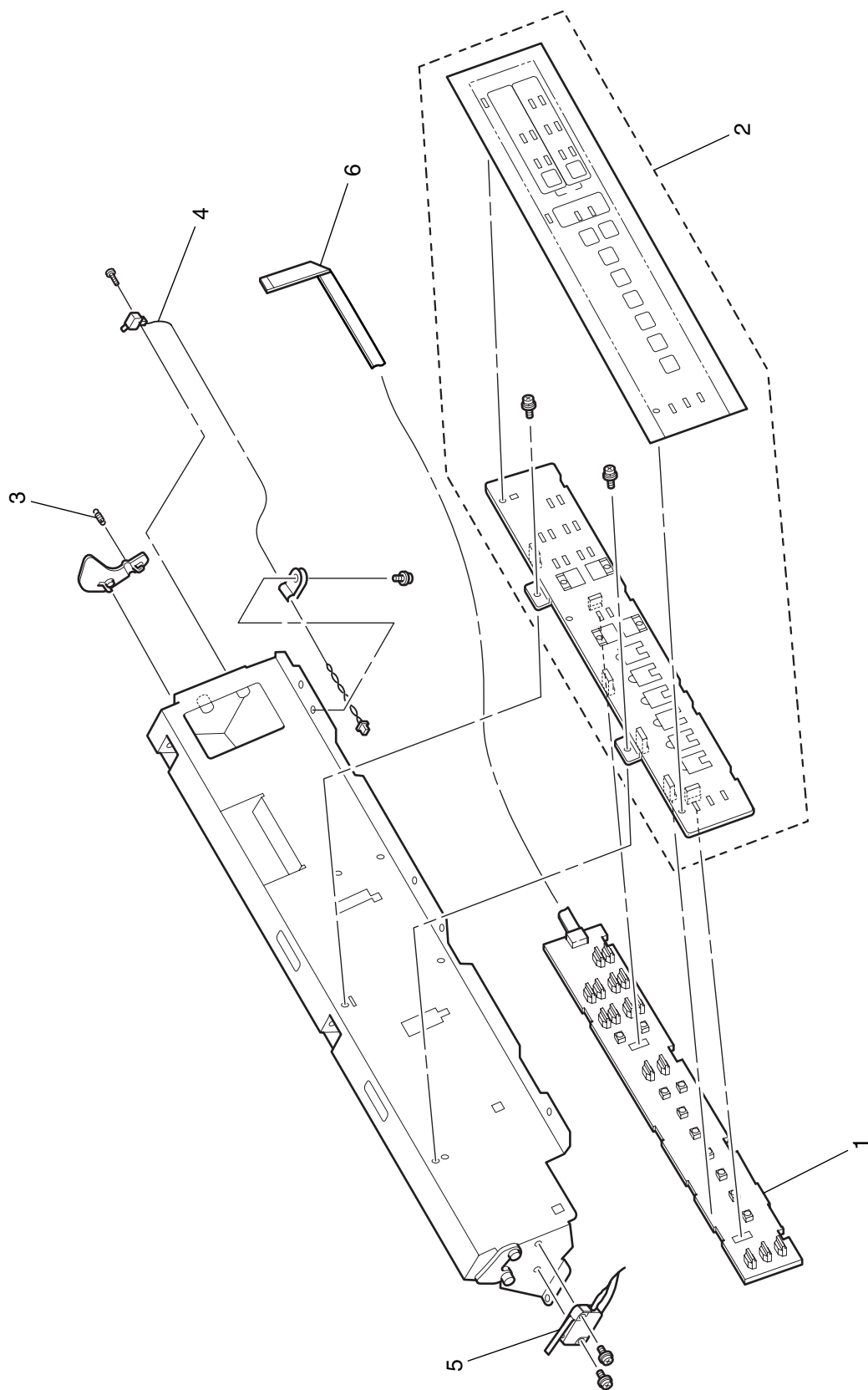
Revision 4



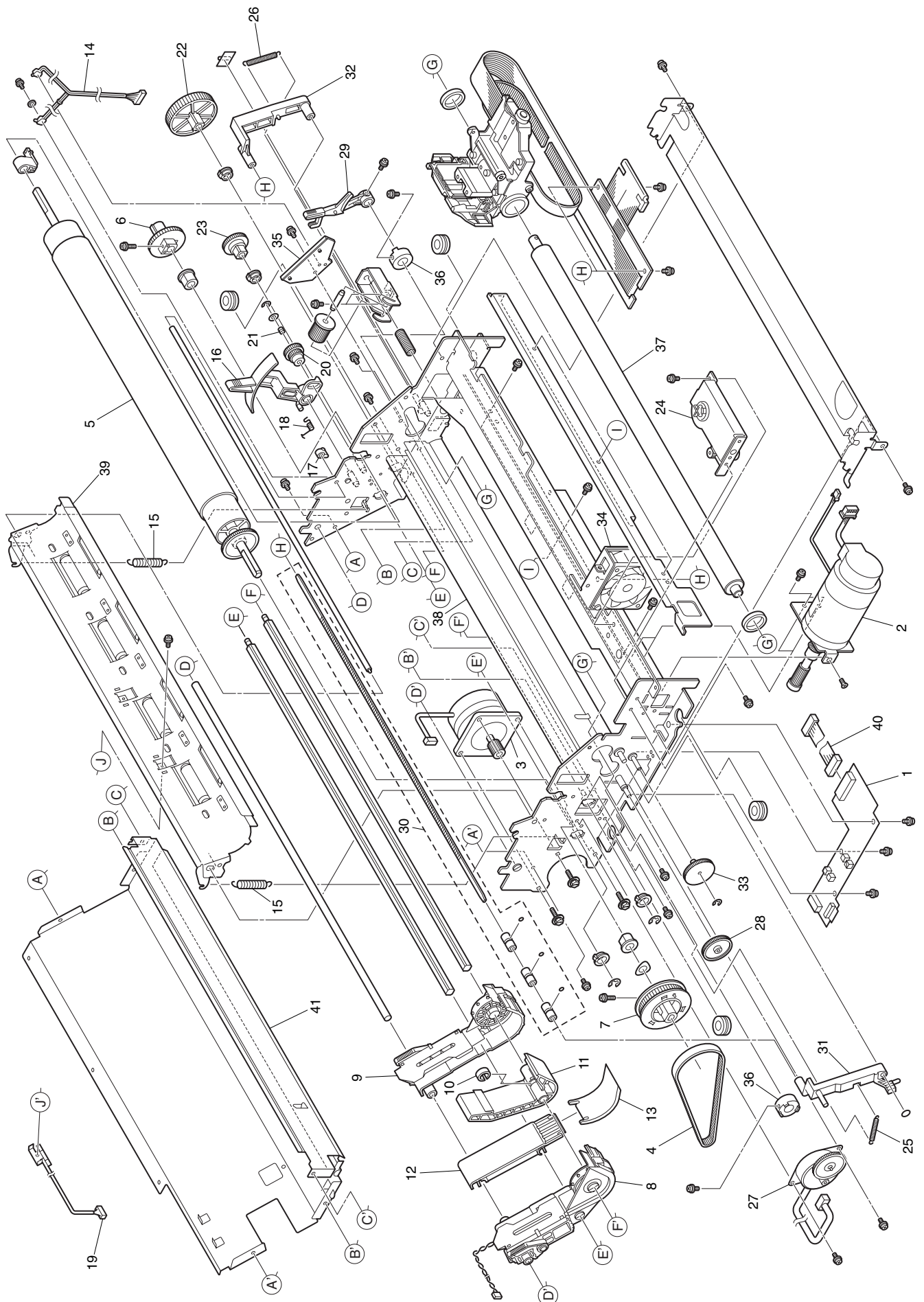
Printer Unit general assembly



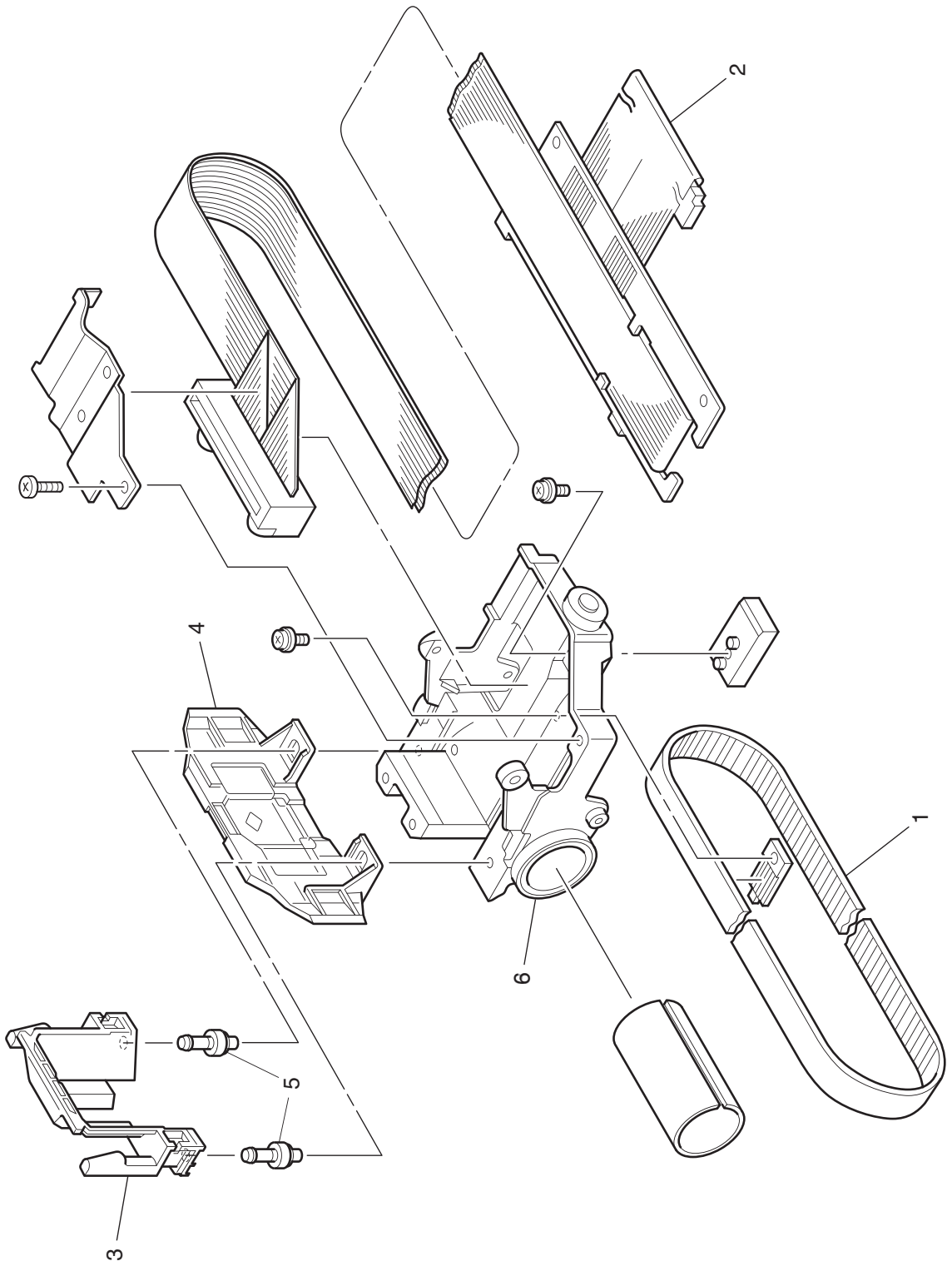
Upper cover assembly



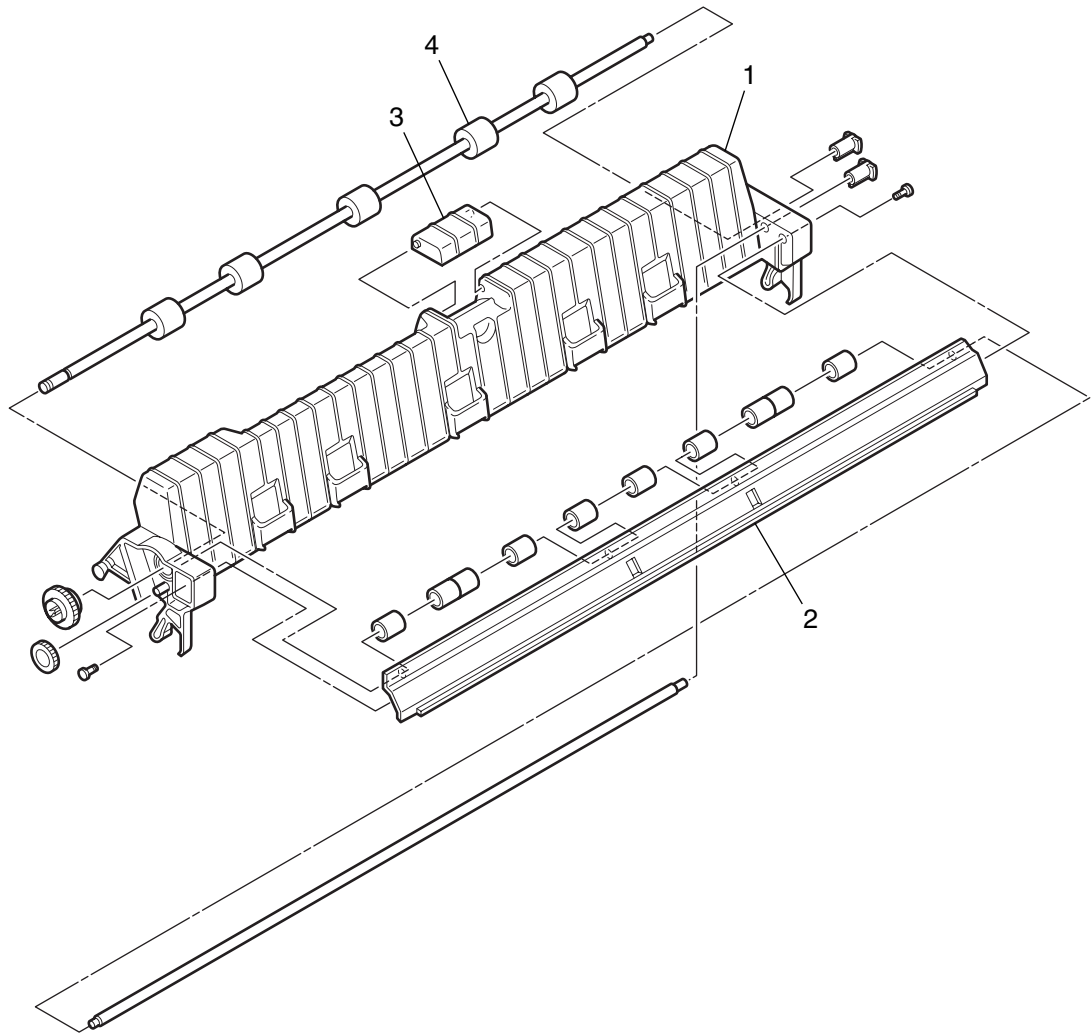
Shield cover assembly



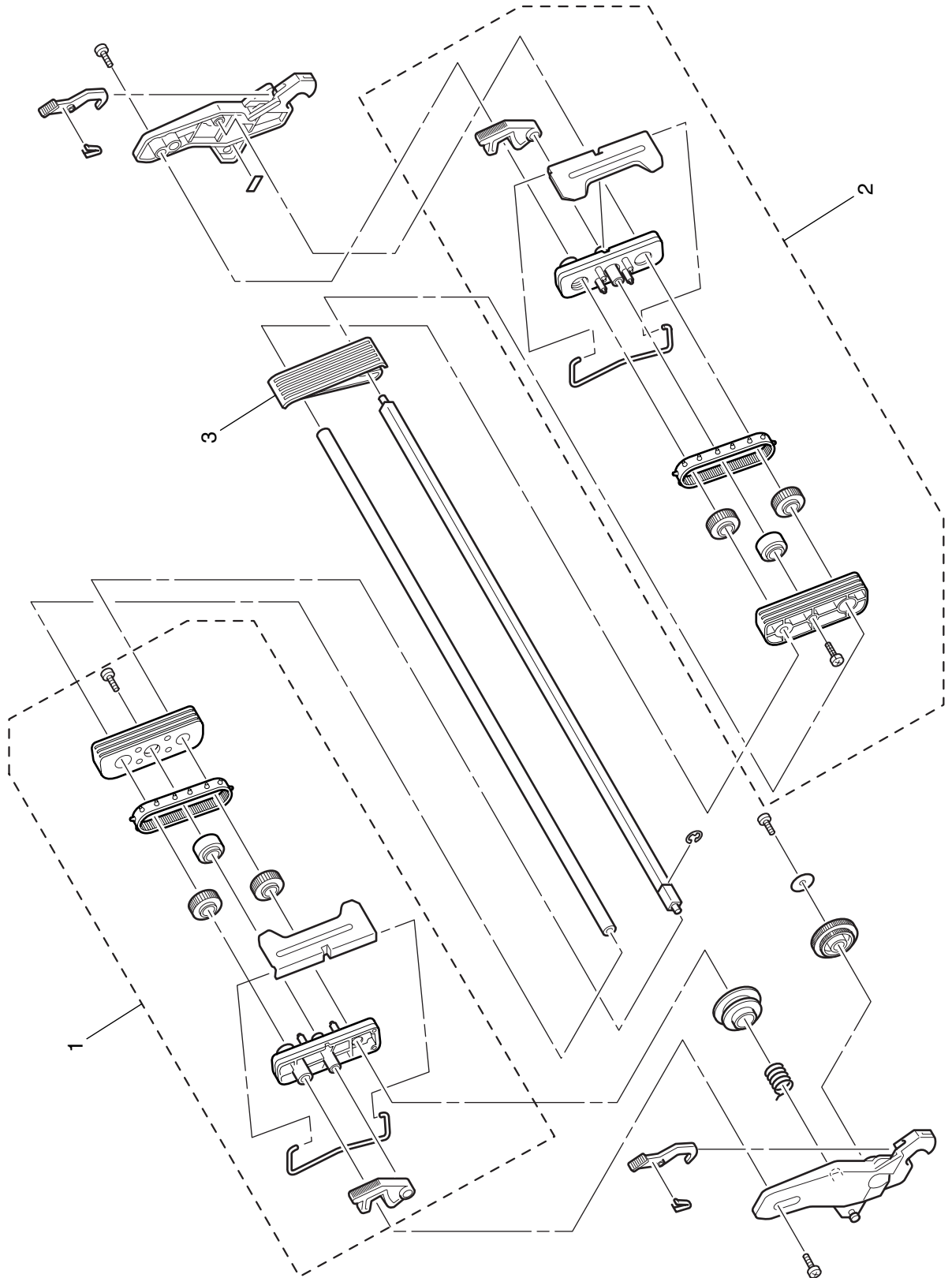
Printer mechanism



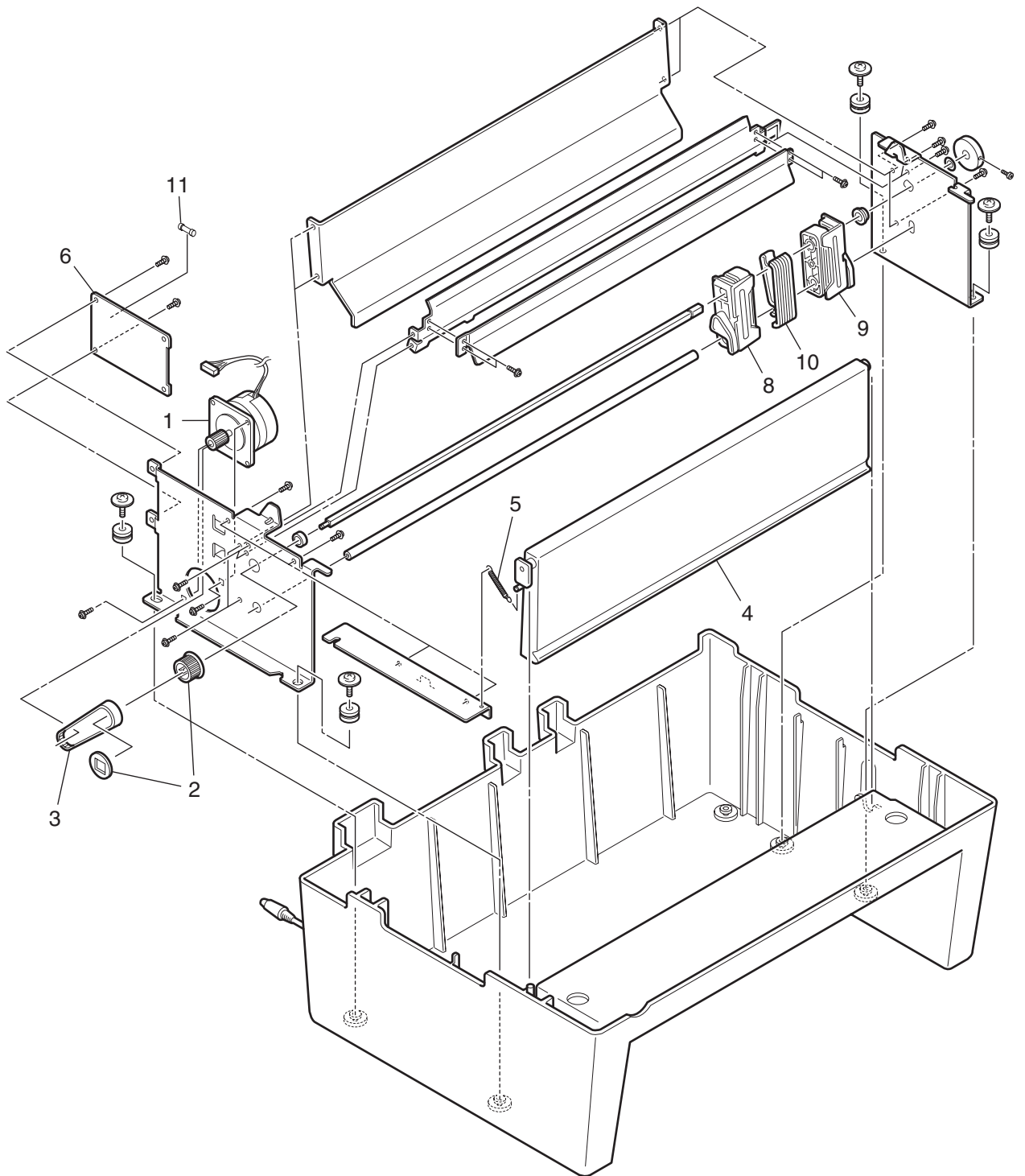
Carriage assembly



Sheet Separator



Tractor unit (Option)



Bottom Push Tractor (Option)