

Spare Parts Listings + Disassembly Diagrams

ML3390

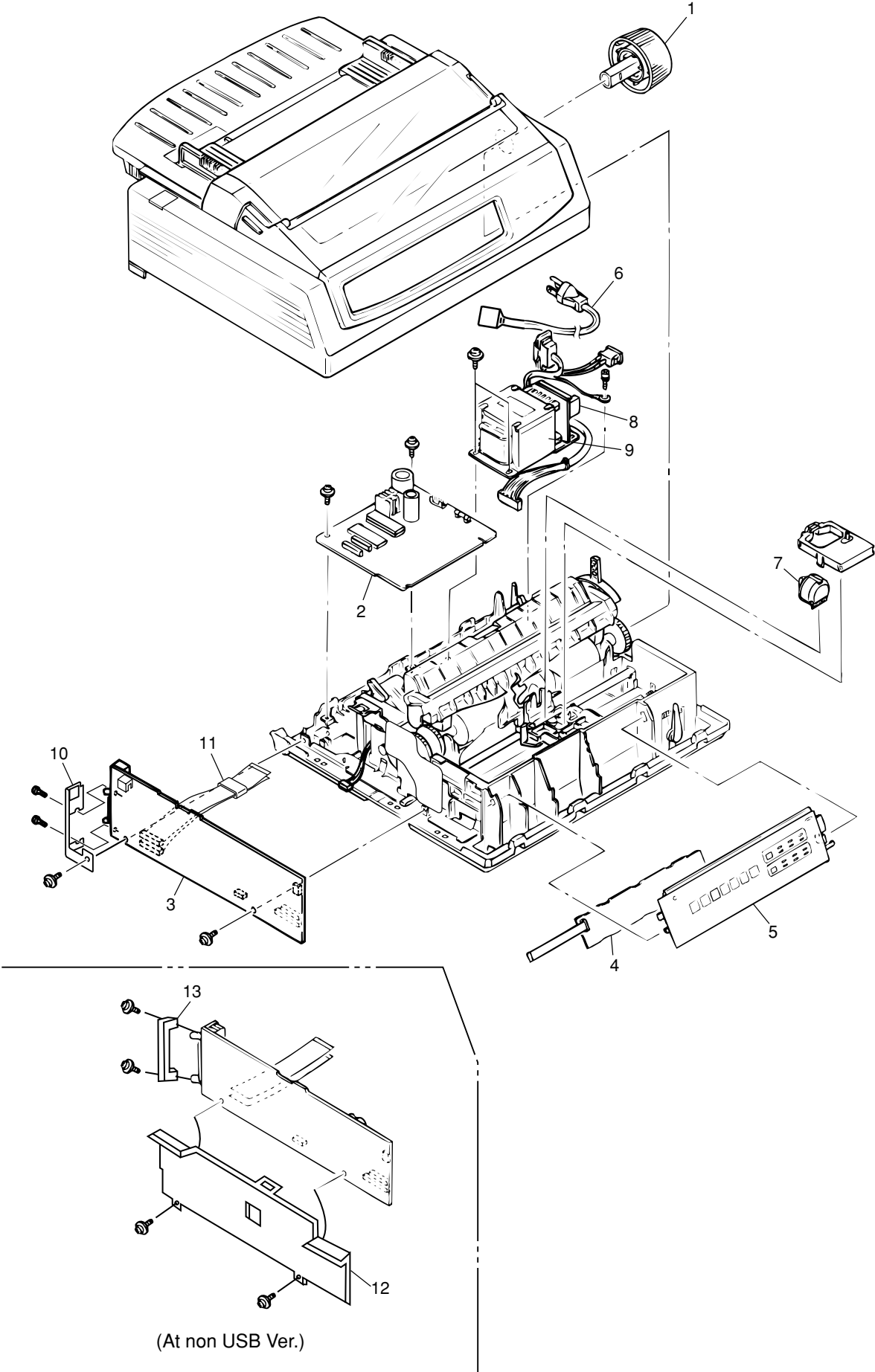


Revision 2

Printer General Assy

No.	Part No.	Description	Q'ty	Q'ty Require	Remarks	G Mark	
1	2PP4025-2871P021	Platen Knob	1	1			
2	41865508	Control/power supply board (AOU)	1	9	Without ROM	G	RoHS(Lead Free)
3	43432506	Driver board (SRF)	1	9		G	RoHS(Lead Free)
4	4YA4042-1516G004	Operation panel board (LEOP)	1	3		G	RoHS(Lead Free)
5	3PP4044-5360G003	Operation panel	1	2			
6	3YS4011-1266P001	AC cord	1	1			
7	4YA4023-3101G001	Printhead (24)	1	10		G	RoHS(Cr6+/Lead Free)
8	4YB4042-1551P001	Fuse 2151.25 (250V 1.25A)	1	10			
9	4YB4049-7106P001	Transformer assy (230V)	1	2	For ML3390	G	RoHS(Lead Free)
	4YB4049-7106P002	Transformer assy (230V)	1	2	For ML3391	G	RoHS(Lead Free)
10	42043901	Plate I/F	1	2		G	RoHS(Cr6+ Free)
11	1050003C0009	Core	1	1			

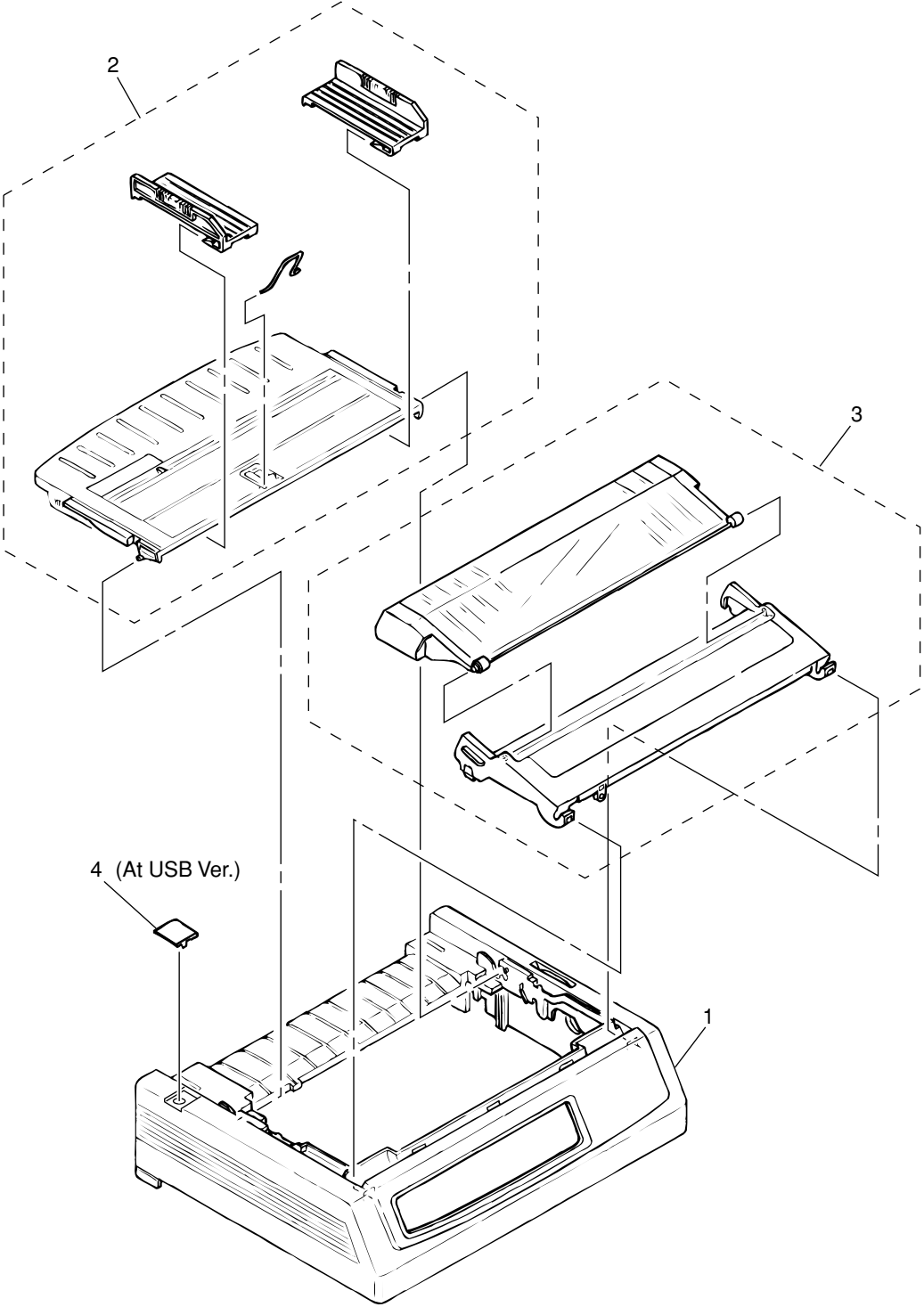
Printer General Assy



Upper Cover Assy

No.	Part No.	Description	Q'ty	Q'ty Required	Remarks	G Mark
1	42044203	Upper cover (N)	1	2	For ML3390	
	42044403	Upper cover (W)	1	2	For ML3391	
2	1PA4094-7305G010	Sheet guide assy (N)	1	2	For ML3390	
	1PA4094-7308G011	Sheet guide assy (W)	1	2	For ML3391	
3	2PA4128-1237G001	Access cover assy (N)	1	2	For ML3390	
	2PA4128-1241G001	Access cover assy (W)	1	2	For ML3391	
4	42044501	Cover-CSF conector	1	2		

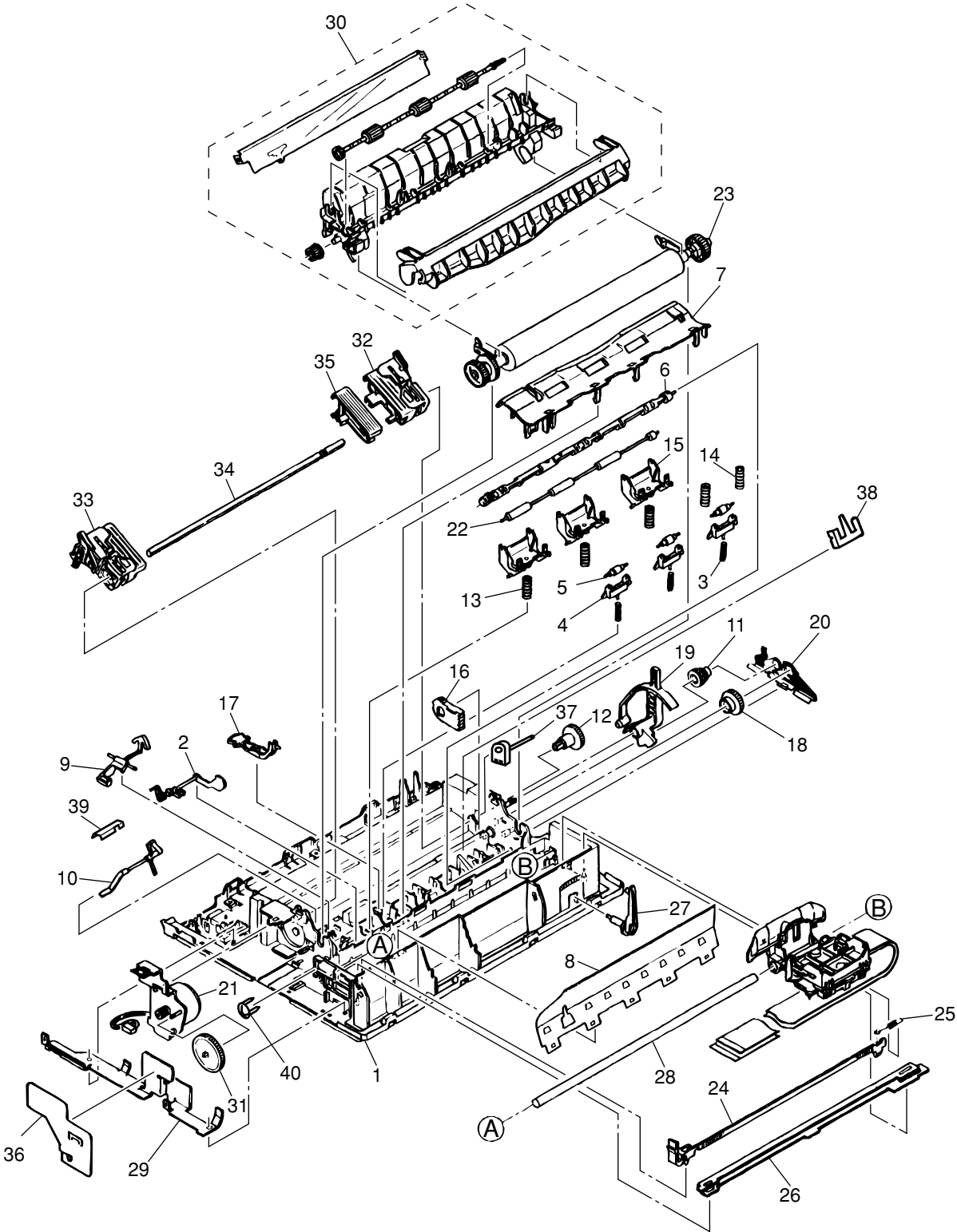
Upper Cover Assy



Printer Unit

No.	Part No.	Description	Q'ty	Q'ty Required	Remarks	G Mark	
1	3PA4044-5002G002	Main Frame (N)	1	2	For ML3390	G	RoHS(Cr6+ Free)
	3PA4044-5152G002	Main Frame (W)	1	2	For ML3391	G	RoHS(Cr6+ Free)
2	3PP4044-5012P001	Bottom paper end lever	1	1			
4	4PP4044-5031P002	Roller holder (F)	3	6	For ML3390		
			5	8	For ML3391		
5	4PA4025-3327G001	Front pressure roller assy	3	6	For ML3390		
			5	8	For ML3391		
6	3PP4044-5015P001	Release shaft (N)	1	2	For ML3390		
	3PP4044-5157P001	Release shaft (W)	1	2	For ML3391		
7	1PP4044-5021P001	Paper pan plate (N)	1	2	For ML3390		
	1PP4044-5158P001	Paper pan plate (W)	1	2	For ML3391		
9	3PP4044-5011P001	Paper end lever	1	1			
10	40775901	Sensor lever	1	1			
11	4PP4025-3340P001	Change gear	1	2			
12	3PP4025-3341P001	Tractor gear	1	2			
			3	2	For ML3391		
15	3PP4044-5033P001	Roller holder (R)	3	6	For ML3390		
			5	10	For ML3391		
16	4PP4044-5017P001	Change arm	1	2			
17	3PP4044-5014P001	Switch lever	1	1			
18	4PP4044-5024P001	Idle gear	1	2			
19	2PP4044-5016P001	Change lever	1	2			
21	41737902	LF motor assy	1	4		G	RoHS(Cr6+ Free)
22	3PP4044-5034P001	Rear pressure roller (N)	1	2	For ML3390		
	3PP4044-5162P001	Rear pressure roller (W)	1	2	For ML3391		
23	3PA4044-5025G002	Platen assy (N)	1	3	For ML3390	G	RoHS(Cr6+ Free)
	3PA4044-5159G002	Platen assy (W)	1	3	For ML3391	G	RoHS(Cr6+ Free)
24	40907901	Space rack gear (N)	1	3	For ML3390		
	40908001	Space rack gear (W)	1	3	For ML3391		
26	3PP4044-5008P001	Guide rail plate (N)	1	1	For ML3390	G	RoHS(Cr6+ Free)
	3PP4044-5155P001	Guide rail plate (W)	1	1	For ML3391	G	RoHS(Cr6+ Free)
27	3PP4025-2810P001	Adjust cam	1	1			
28	4PP4044-5009P001	Carriage shaft (N)	1	1	For ML3390	G	RoHS(Cr6+ Free)
	4PP4044-5009P002	Carriage shaft (W)	1	1	For ML3391	G	RoHS(Cr6+ Free)
29	40390601	FG plate (L)	1	1		G	RoHS(Cr6+ Free)
30	3PA4044-5050G002	Pull-up roller assy (N)	1	2	For ML3390		
	3PA4044-5165G002	Pull-up roller assy (W)	1	2	For ML3391		
31	40355201	Idle gear (24)	1	4			
32	4PA4044-5041G002	Tractor frame assy (R)	1	2		G	RoHS(Cr6+ Free)
33	4PA4044-5043G002	Tractor frame assy (L)	1	2		G	RoHS(Cr6+ Free)
34	4PP4025-3335P003	Drive shaft	1	2	For ML3390	G	RoHS(Cr6+ Free)
	4PP4025-3335P004	Drive shaft	1	2	For ML3391	G	RoHS(Cr6+ Free)
35	3PP4044-5046P001	Tractor sheet guide	1	2	For ML3391		
36	4PB4044-5095P001	FG plate (A)	1	2			
37	3PP4044-5089P001	Change gear shaft	1	2		G	RoHS(Cr6+ Free)
39	40689301	Cover	1	2			

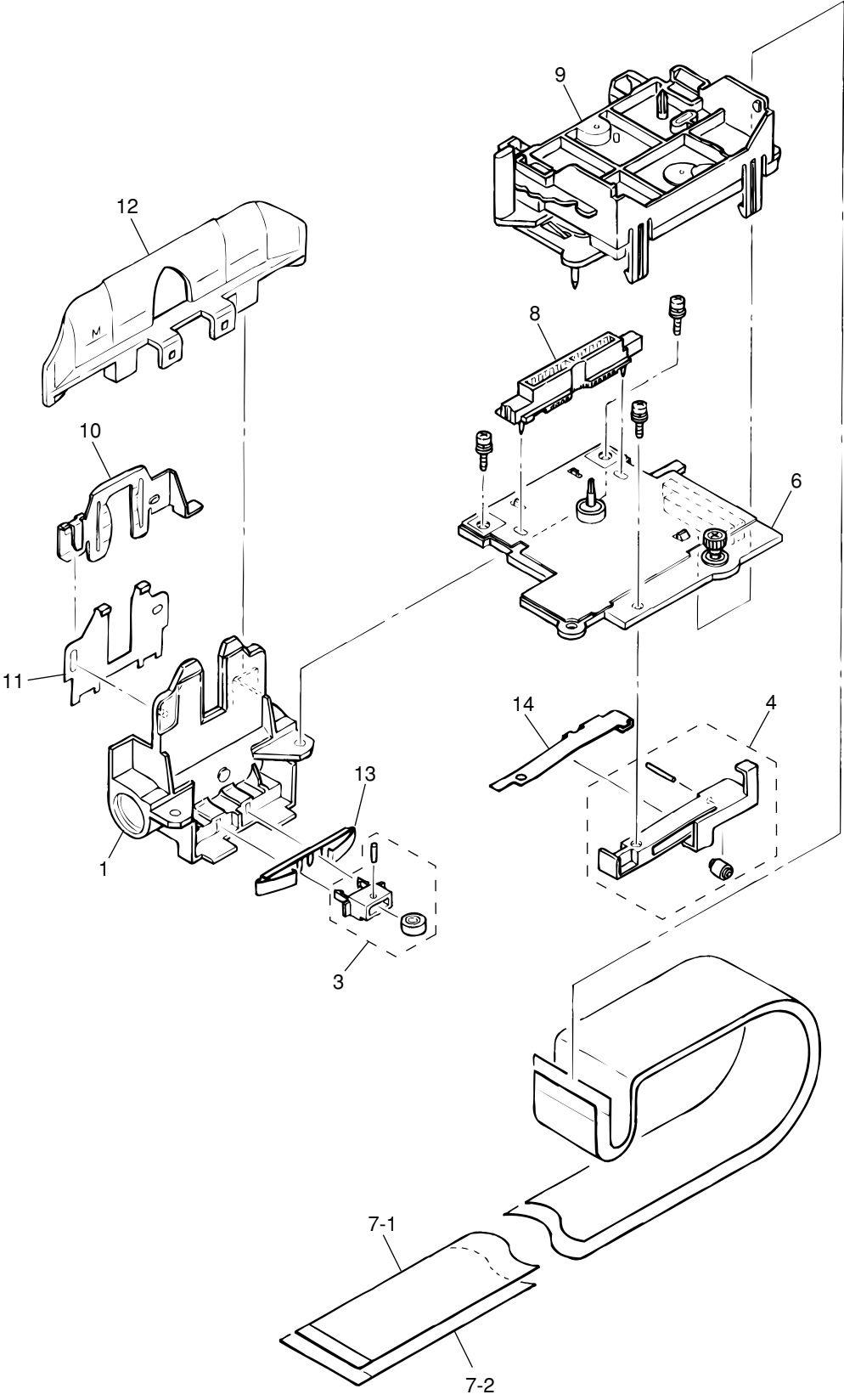
Printer Unit



Carriage Assy

No.	Part No.	Description	Q'ty	Q'ty Required	Remarks	G Mark	
1	4PP4044-5061G001	Carriage frame set	1	2			
2							
3	40917101	Back up roller holder assy	1	2			
4	40493301	Guide roller assy	1	2			
5							
6	4YA4044-5120G001	Space motor assy (24)	1	4		G	RoHS(Cr6+/Lead free)
7-1	3PB4044-5506P001	Head cable (9N)	1	5	For ML3390		
	3PB4044-5507P001	Head cable (9W)	1	5	For ML3391		
7-2	3PB4044-5508P001	Head cable (24N)	1	5	For ML3390		
	3PB4044-5509P001	Head cable (24W)	1	5	For ML3391		
8	3PB4025-1241P001	PC connector (36/40)	1	2			
9	3PA4044-5070P002	Gear case assy	1	3			
10	3PP4044-5068P001	Head clamp holder	1	1			
11	4PP4044-5067P001	Head plate	1	1			
12	3PP4044-5064P001	Ribbon protector frame	1	2			

Carriage Assy

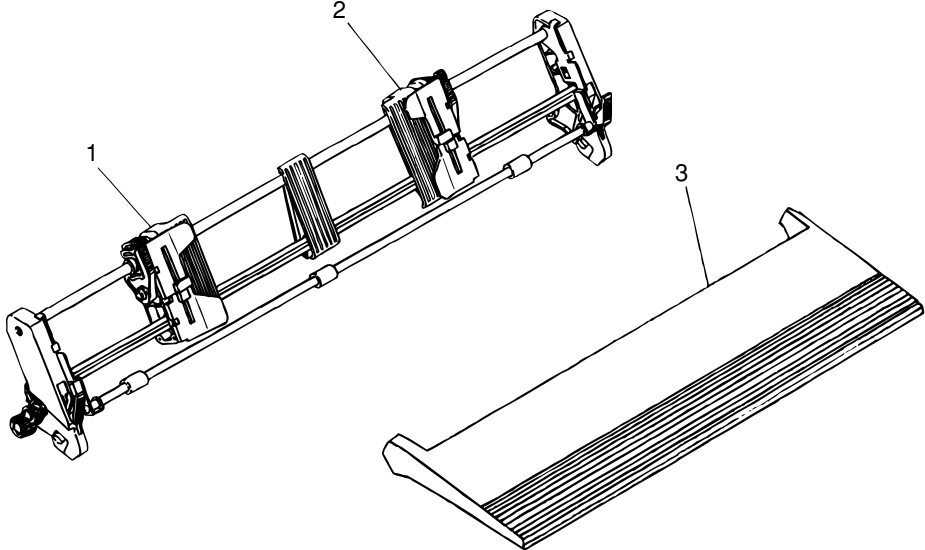


Option Spare Parts

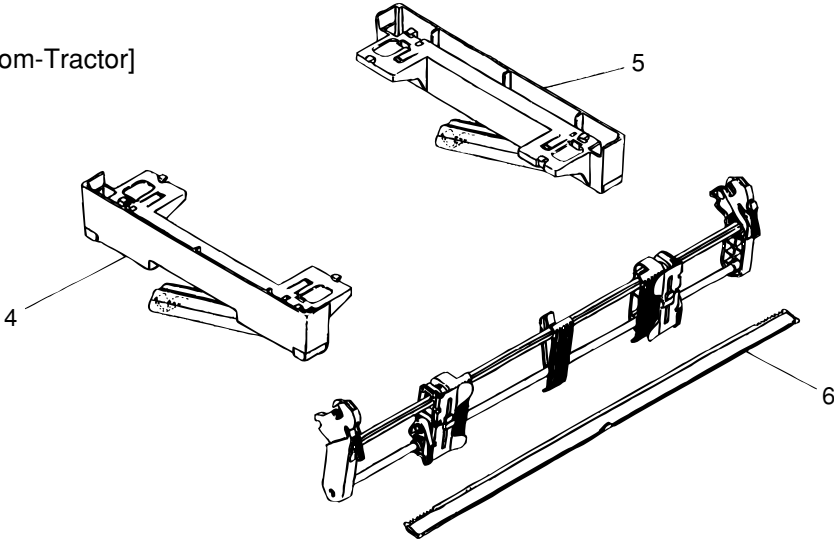
No.	Part No.	Description	Q'ty	Q'ty Required	Remarks	G Mark	
1	4PA4025-3608G001	Pull and bottom tractor assy (L)	1	2		G	RoHS(Cr6+ free)
2	4PA4025-3603G001	Pull and bottom tractor assy (R)	1	2		G	RoHS(Cr6+ free)
3	2PP4128-1239G001	Tractor cover assy (N)	1	3	For ML3390		
	2PP4128-1243G001	Tractor cover assy (W)	1	3	For ML3391		
4	1PA4128-1277G001	Bottom push atand (L)	1	2			
5	1PA4128-1277G002	Bottom push atand (R)	1	2			
6	4PP4094-7385G001	Paper knife (N)	1	1	For ML3390		
	4PP4094-7386G001	Paper knife (W)	1	1	For ML3391		
7	41875001	LXHI-PCB (RS232 I/F)	1	3		G	RoHS (Lead Free)
8	40208201	CSF Single PCB	1			G	RoHS (Lead Free)
9	40208202	CSF Dual PCB	1			G	RoHS (Lead Free)

Option Spare Parts

[Pull-Tractor]



[Bottom-Tractor]



[I/F Board]

