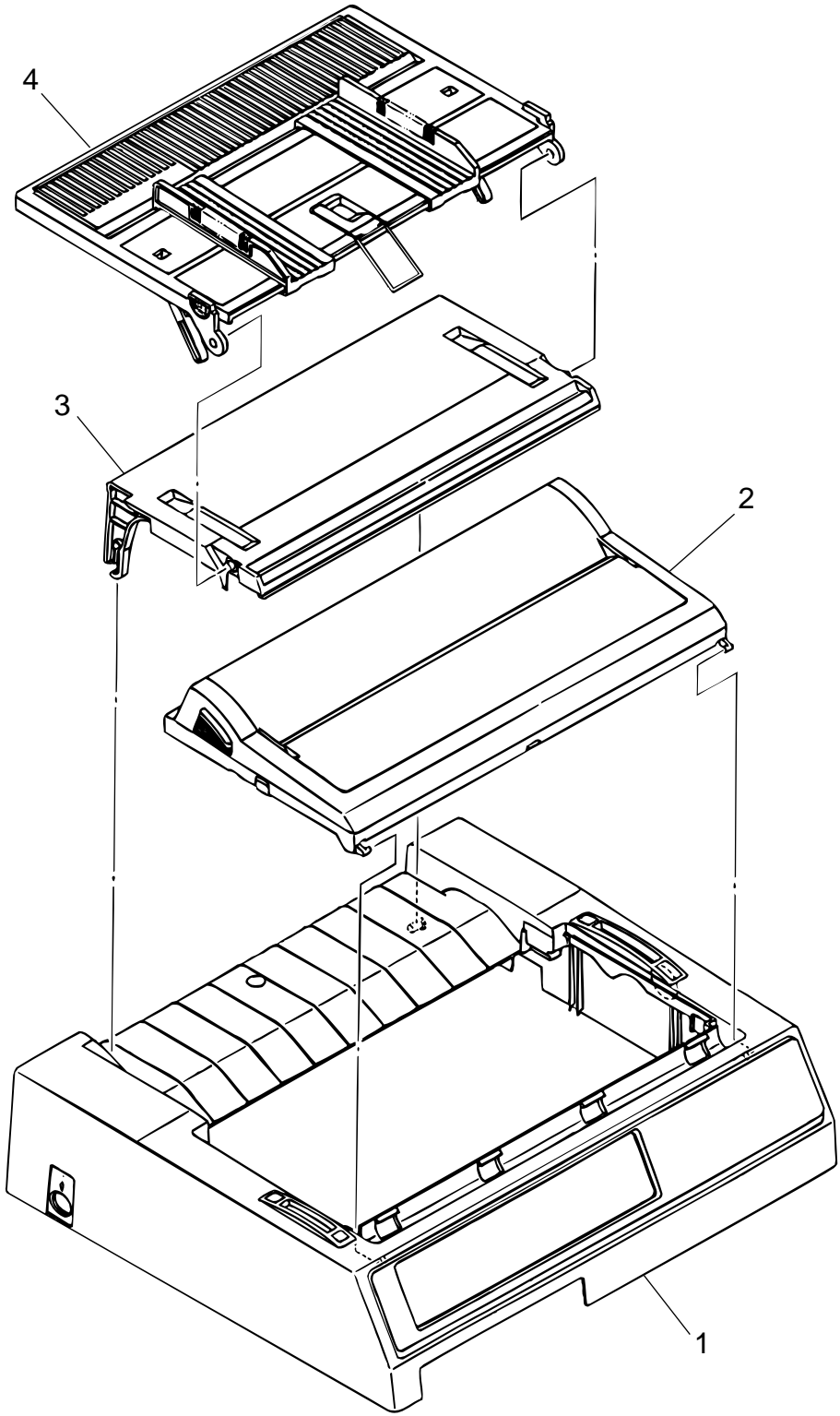
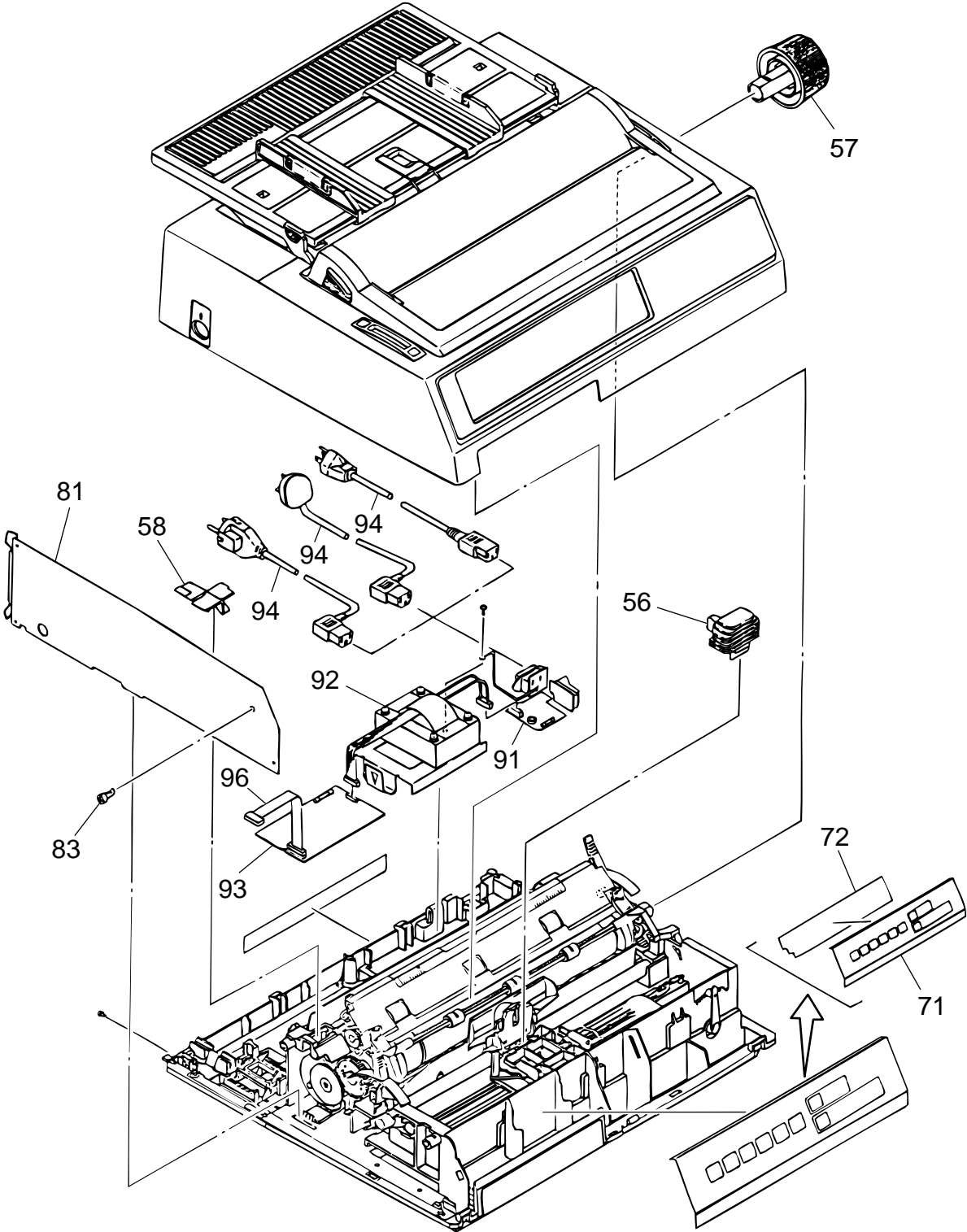


Rev.	Unit Name	No.	Part No.	Part Name	Q'ty /Unit	Recommended Q'ty/Year			Remarks	Del /Add	Remarks for environment
						per 500	per 1000	per 2000			
	Cover parts	1	42277601	Middle cover (N)	1	3	6	12	320 3.5Y8/0.5		-
	Cover parts	1	42278101	Middle cover (W)	1	3	6	12	321 3.5Y8/0.5		-
	Cover parts	2	PA4016-6559G012	Access cover assembly (N)	1	3	6	12	320 3.5Y8/0.5		-
	Cover parts	2	PA4016-6560G016	Access cover assembly (W)	1	3	6	12	321 3.5Y8/0.5		-
	Cover parts	3	PP4016-6567P012	Rear cover frame (N)	1	3	6	12	320 3.5Y8/0.5		-
	Cover parts	3	PP4016-6568P015	Rear cover frame (W)	1	3	6	12	321 3.5Y8/0.5		-
	Cover parts	4	41768202	Sheet separator assembly (N)	1	3	6	12	320 3.5Y8/0.5		-
	Cover parts	4	41769102	Sheet separator assembly (W)	1	3	6	12	321 3.5Y8/0.5		-
	Cover parts	5	PP4016-6865G001	Acoustic cover (Tractor)	1	3	6	12	320 Option		-
	Cover parts	5	PP4016-6866G001	Acoustic cover (Tractor)	1	3	6	12	321 Option		-
	Cover parts	6	PP4016-6867G001	Acoustic cover (CSF)	1	3	6	12	320 Option		-
	Cover parts	6	PP4016-6868G001	Acoustic cover (CSF)	1	3	6	12	321 Option		-
	Printer mechanism	11	41767302	Main chassis assembly (N)	1	3	6	12	320 3.5Y8/0.5		G
	Printer mechanism	11	41768702	Main chassis assembly (W)	1	3	6	12	321 3.5Y8/0.5		G
	Printer mechanism	12	41767401	Platen assembly	1	3	6	12	320		G
	Printer mechanism	12	41767402	Platen assembly	1	3	6	12	321		G
	Printer mechanism	14	42278701	IC card panel A	1	1	2	4	3.5Y8/0.5		-
	Printer mechanism	15	42406901	PCB Support cover assembly	1	3	6	12			-
	Printer mechanism	16	42093101	Guide rail	1	1	2	4	320		G
	Printer mechanism	16	42093102	Guide rail	1	1	2	4	321		G
	Printer mechanism	17	PP4025-2810P002	Adjust cam	1	3	6	12			-
	Printer mechanism	18	PP4025-2819P001	Leaf spring (N)	1	3	6	12	320		-
	Printer mechanism	18	PP4025-3179P001	Leaf spring (W)	1	3	6	12	321		-
	Printer mechanism	19	PA4025-2963G011	Separator (N) assembly	1	3	6	12	320 3.5Y8/0.5		-
	Printer mechanism	19	PA4025-2978G014	Separator (W) assembly	1	3	6	12	321 3.5Y8/0.5		-
	Printer mechanism	20	PP4025-2825P001	Paper end lever (B)	1	3	6	12	320		-
	Printer mechanism	20	PP4025-2825P002	Paper end lever (B)	1	3	6	12	321		-
	Printer mechanism	21	PP4025-2826P001	Sensor lever	1	3	6	12			-
	Printer mechanism	22	42406801	Sensor cover	1	3	6	12	3.5Y8/0.5		-
	Printer mechanism	23	41767701	Ribbon feed gear assembly	1	3	6	12			-
	Printer mechanism	24	PB4025-3180P001	Cord guide	1	3	6	12			-
	Printer mechanism	25	PP4025-2874P001	Coupling plate	1	3	6	12			-
	Printer mechanism	26	PP4025-2837P001	Carriage shaft	1	3	6	12	320		G
	Printer mechanism	26	PP4025-2837P002	Carriage shaft	1	3	6	12	321		G
	Printer mechanism	27	41849601	Indicator assembly	1	3	6	12	320		-
	Printer mechanism	27	41849602	Indicator assembly	1	3	6	12	321		-
	Printer mechanism	28	42279101	Bail arm (R)	1	3	6	12	PMS Cool Gray 7C		-
	Printer mechanism	29	42278901	Bail arm (L)	1	3	6	12	PMS Cool Gray 7C		-
	Printer mechanism	30	PB4025-2842P001	Bail arm spring (R)	1	5	10	20			-
	Printer mechanism	31	PB4025-2843P001	Bail arm spring (L)	1	5	10	20			-
	Printer mechanism	32	PB4025-2844P003	LF motor	1	5	10	20			G
	Printer mechanism	33	PP4025-2845P001	Space rack	1	5	10	20	320		-
	Printer mechanism	33	PP4025-2845P002	Space rack	1	5	10	20	321		-
	Printer mechanism	34	PB4025-2873P001	Tension spring	1	3	6	12			-
	Printer mechanism	35	PA4025-2846G001	Pressure roller assembly (N)	1	3	6	12	320		-
	Printer mechanism	35	PA4025-2908G001	Pressure roller assembly (W)	1	3	6	12	321		-
	Printer mechanism	36	PA4025-2853G011	Paper chute assembly (N)	1	3	6	12	320 3.5Y8/0.5		-
	Printer mechanism	36	PA4025-2915G010	Paper chute assembly (W)	1	3	6	12	321 3.5Y8/0.5		-
	Printer mechanism	37	42278801	Release lever	1	3	6	12	3.5Y8/0.5		-
	Printer mechanism	38	PP4025-2881P001	Release link	1	3	6	12			-
	Printer mechanism	39	PP4025-2868P001	Idle gear	1	3	6	12			-
	Printer mechanism	40	PP4025-2867P001	Reset spring	1	3	6	12			-
	Printer mechanism	41	PP4025-2866P001	Change gear	1	3	6	12			-
	Printer mechanism	42	PP4025-2869P001	Tractor gear	1	3	6	12			-
	Printer mechanism	43	PP4025-1048P001	Head clamp	1	3	6	12			-
	Printer mechanism	44	PB4025-1088P001	Slider	1	5	10	20			-
	Printer mechanism	45	PB4044-5125P001	15Pin connector	1	3	6	12			G
	Printer mechanism	46	PB4025-2829G001	Carriage frame set	1	3	6	12			-
	Printer mechanism	47	YX4025-1800G002	Space motor assembly	1	5	10	20			G
	Printer mechanism	48	PU4007-1096P001	Flexible cable	1	10	20	40	320		G
	Printer mechanism	48	PU4007-1096P002	FLEXIBLE CABLE	1	10	20	40	321		G
	Printer mechanism	49	PP4025-2960P001	Contact pressure rubber	1	3	6	12			-
	Printer mechanism	50	PP4025-2836P001	Ribbon protector	1	5	10	20			-
	Printer mechanism	51	41767901	Tractor frame assembly (R)	1	3	6	12			G
	Printer mechanism	52	41768001	Tractor frame assembly (L)	1	3	6	12			G
	Printer mechanism	53	PP4025-2864P001	Drive shaft	1	1	2	4	320		-
	Printer mechanism	53	PP4025-2864P002	Drive shaft	1	1	2	4	321		-
	Printer mechanism	54	PP4025-2831P001	Lock shaft	1	1	2	4	320		G
	Printer mechanism	54	PP4025-2831P002	Lock shaft	1	1	2	4	321		G
	Printer mechanism	55	PP4025-2927P001	Sheet guide	1	3	6	12			-
	Printer mechanism	56	YA4025-1401G002	Print head Specification	1	9	18	36			G
	Printer mechanism	57	PP4025-2871P021	Platen knob	1	5	10	20	PMS Cool Gray 7C		-
	Printer mechanism	59	PP4025-2896P001	PCB Lock	1	3	6	12			-
	Operator panel	71	PP4025-3114G003	OPERATIONPANEL	1	3	6	12			-
	Operator panel	72	42383701	LXS-PCB Specification	1	3	6	12			G
	Printed circuit board	81	43432103	Board-LXF	1	3	6	12	W/O ROM		-
	Printed circuit board	83	PP4025-2870P001	Lock post	1	3	6	12			-
	Power supplyassembly	91	YB4049-7011P001	BOARD-FILTER	1	3	6	12	220/240V		G
	Power supplyassembly	92	YB4049-7009P002	POWER TRANSFORMER	1	3	6	12	220/240V		G
	Power supplyassembly	93	YB4049-7012P001	POWER SUPPLY UNIT	1	3	6	12	320/321		G
	Power supplyassembly	96	YS4011-4311P002	Nylon connector cord	1	1	2	4			G
4	Power supplyassembly	97	YB4049-7013P002	Fuse(Primary side 250V 1A)	1	3	6	12			G
4	Power supplyassembly	98	YB4049-7015P001	SECONDARY FUSE	1	3	6	12			G
	Option Tractor Unit	59	PA4025-2971G001	Tractor unit (N)	1	3	6	12	320 Option		G
	Option Tractor Unit	59	PA4025-2971G002	Tractor unit (W)	1	3	6	12	321 Option		G
	Option PCB	3	41875001	Board-LXHI	1	3	6	12	OEL Option		G

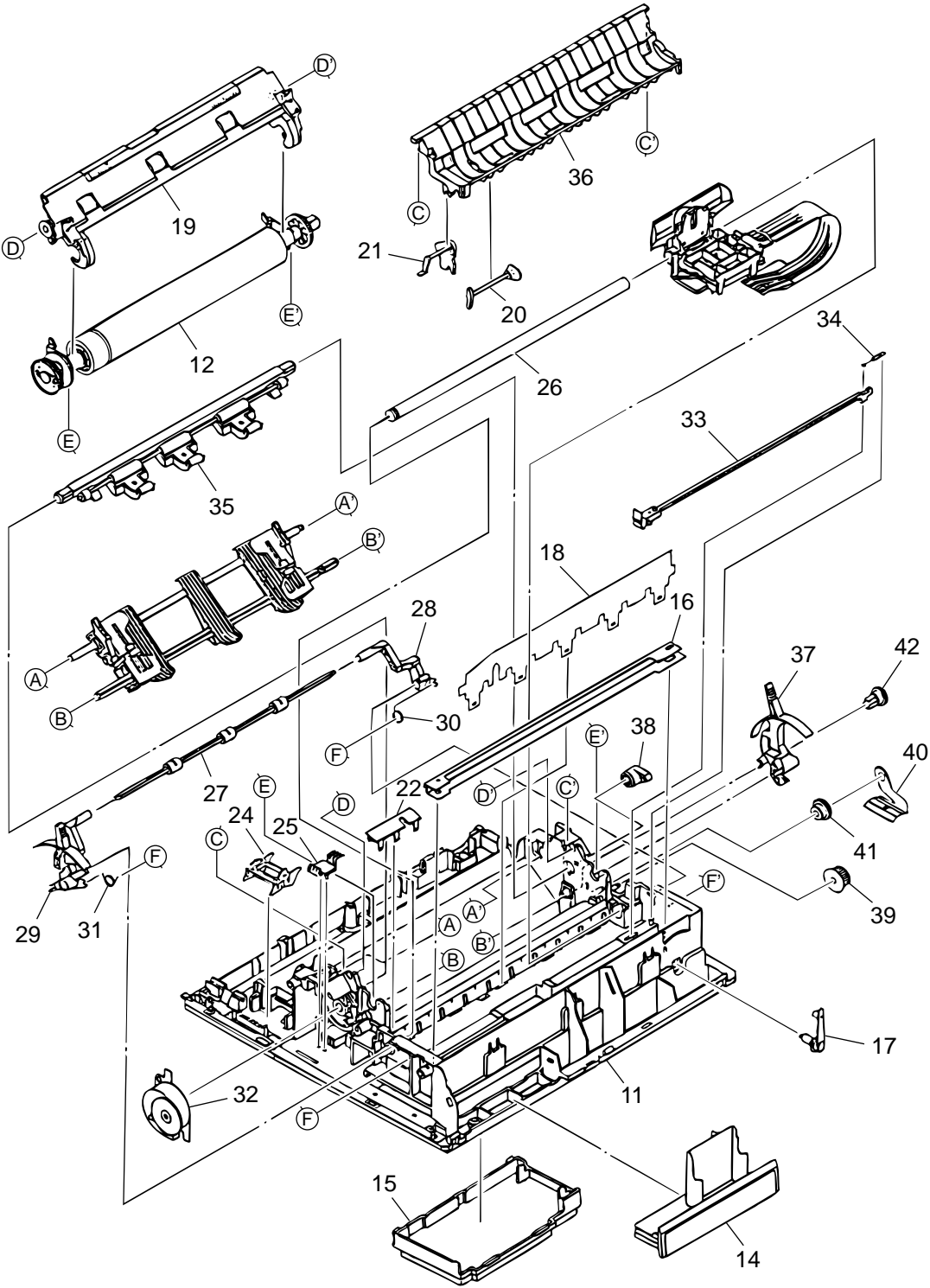
Cover parts



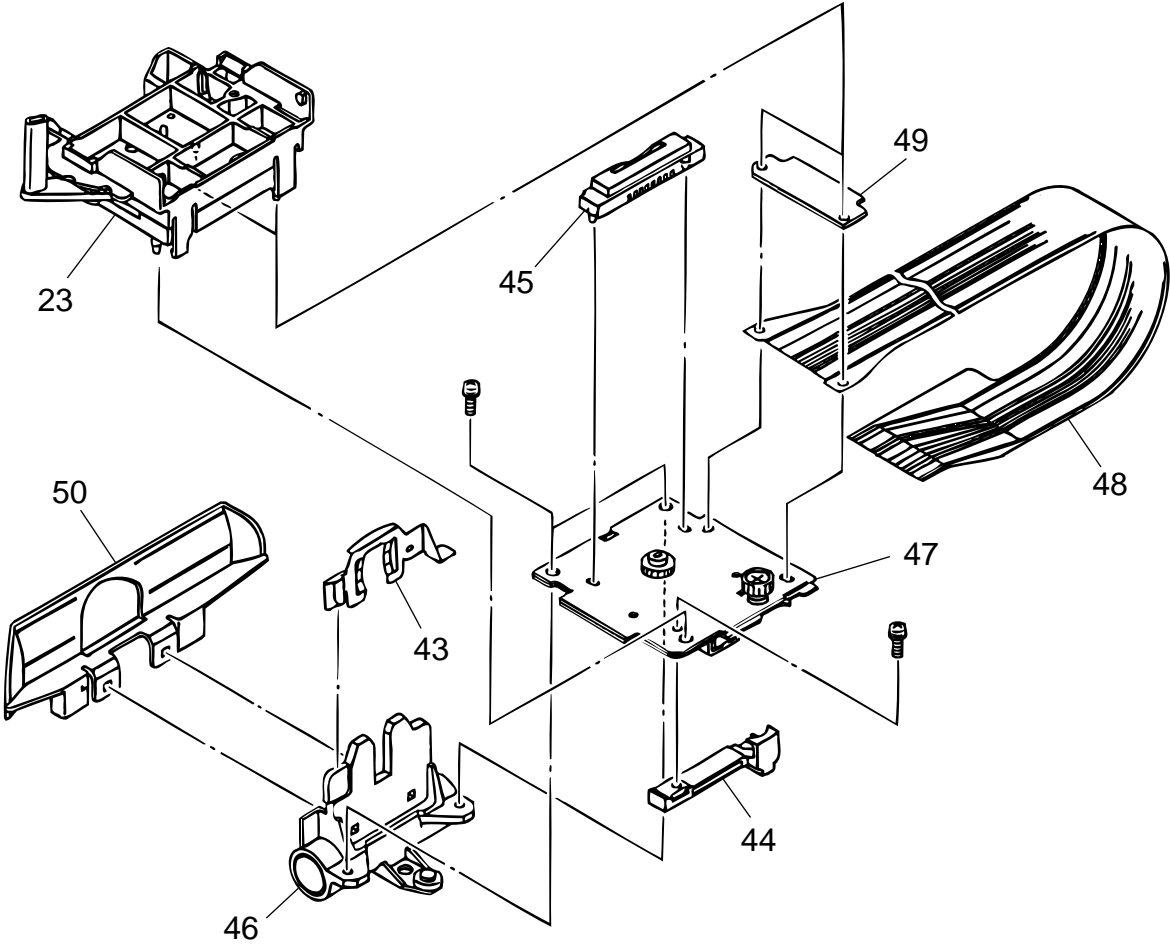
Printer mechanism(1/4)



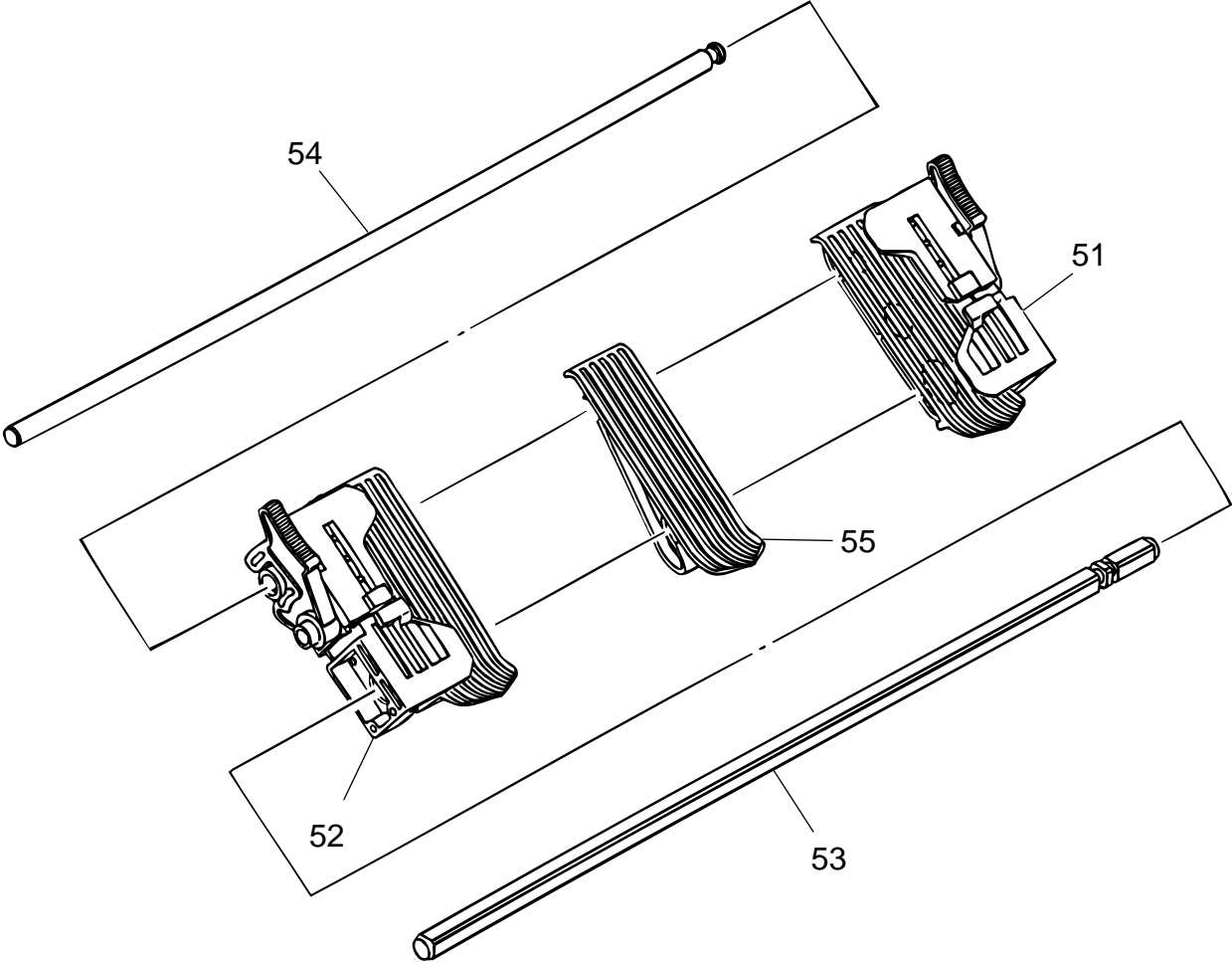
Printer mechanism(2/4)



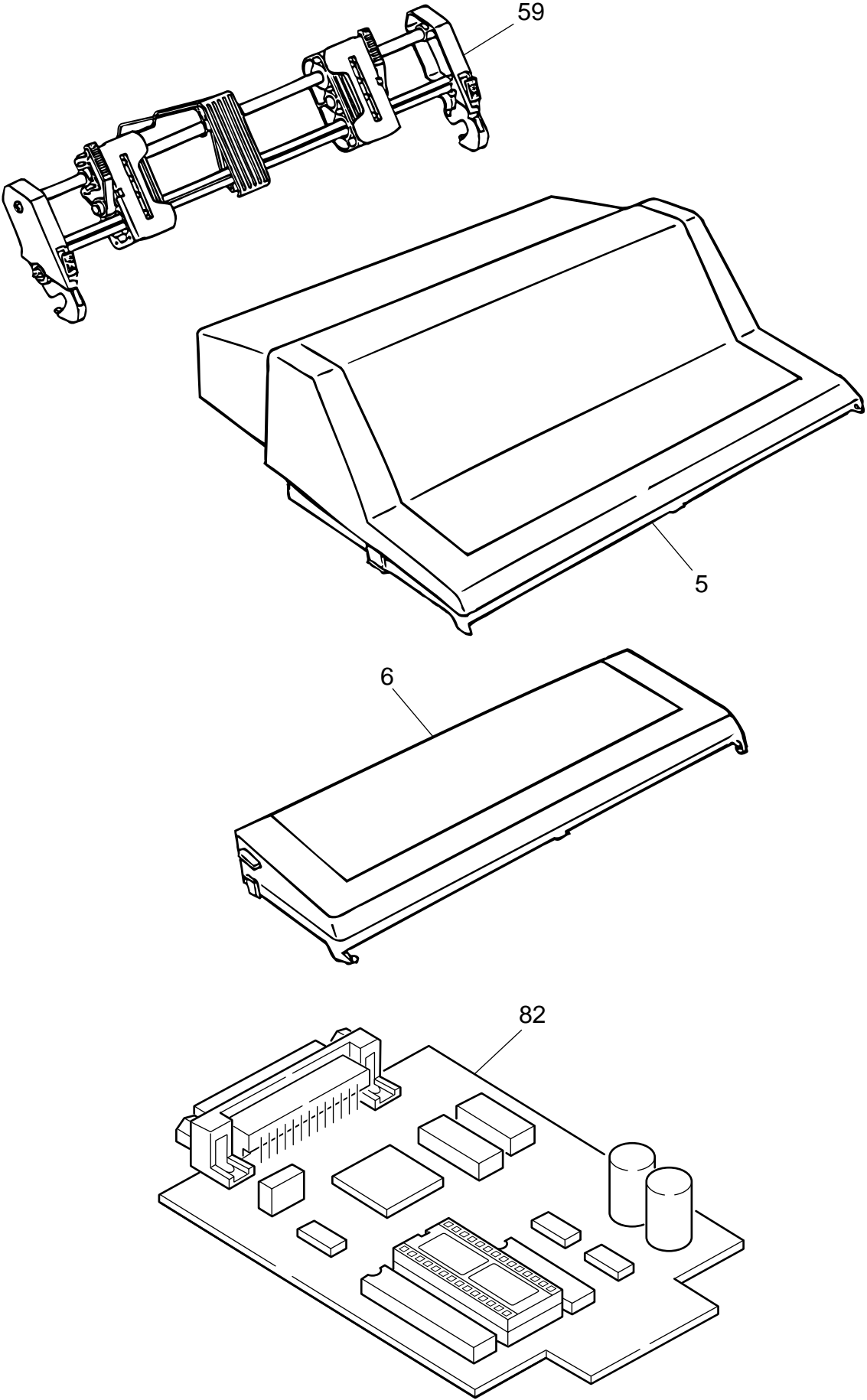
Printer mechanism(3/4)



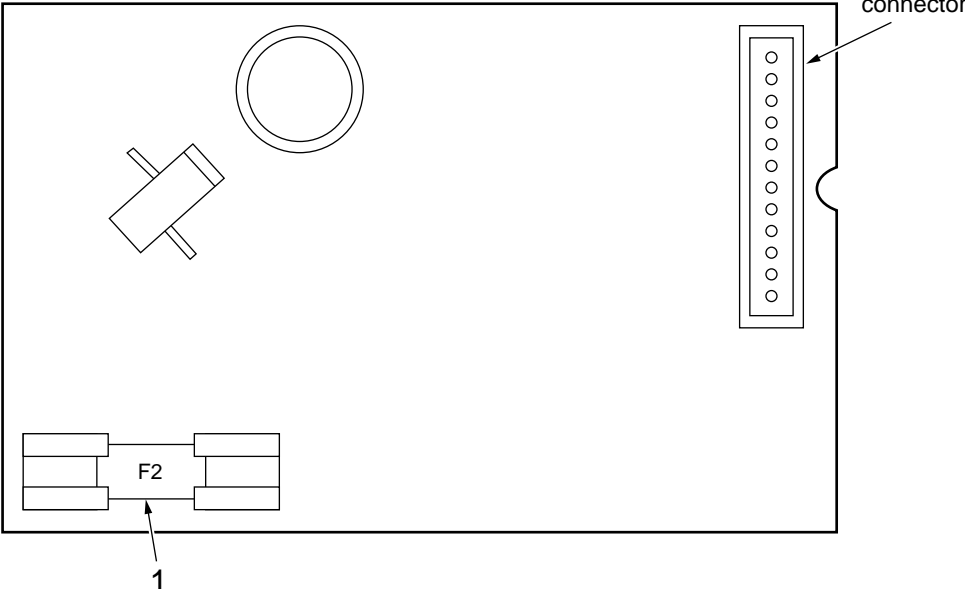
Printer mechanism(4/4)



Option Parts



Power Supply Board



Filter board

