

Spare Parts Listings + Disassembly Diagrams

ML280e

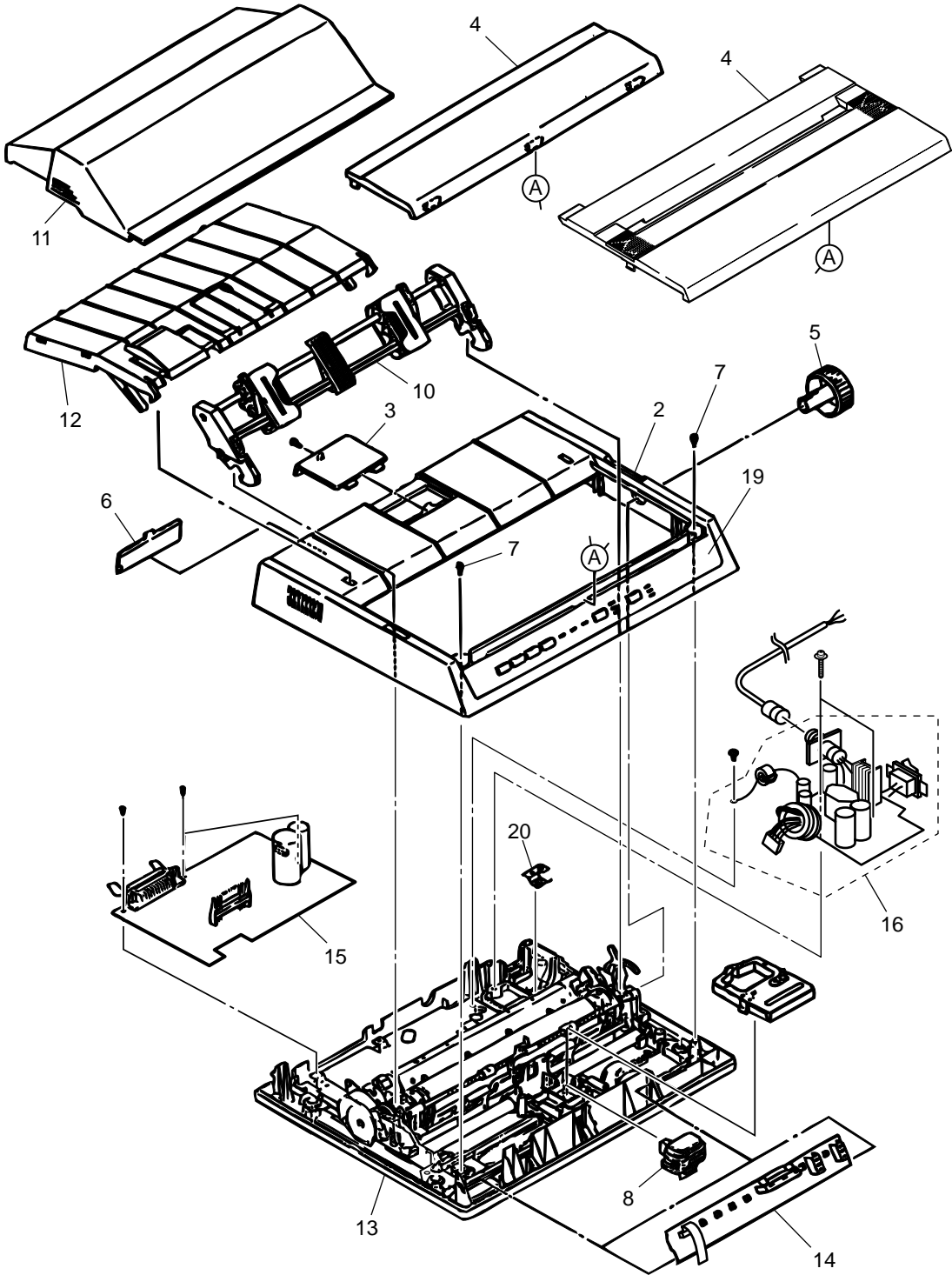


Revision 2

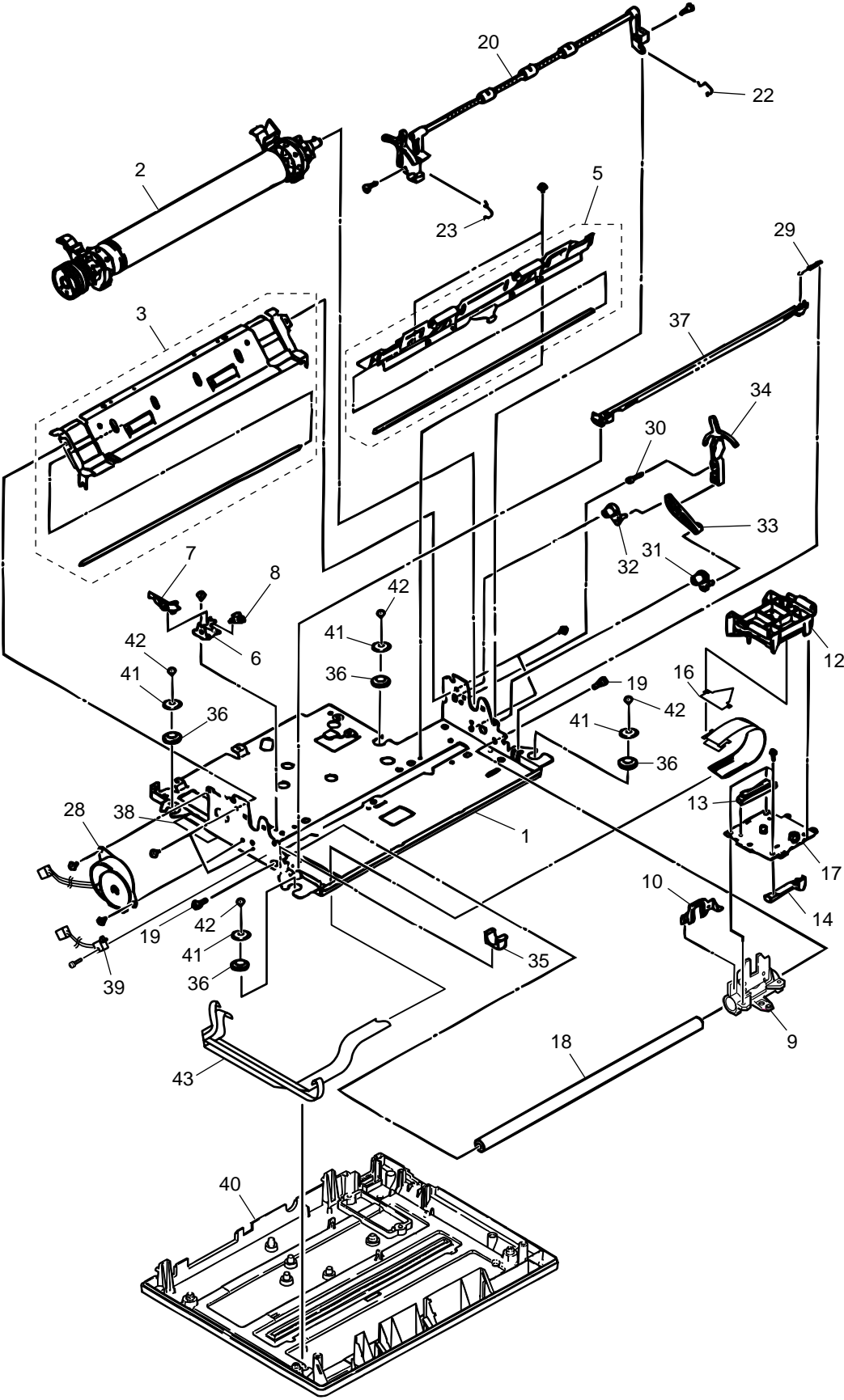
Rev.	Unit Name	No.	Part No.	SAP Part No	Part Name	Q'ty /Unit	Recommended Q'ty/Year			Remarks	Del /Add	Remarks for environment
							per 500	per 1000	per 2000			
	Print Unit	2	42014601		Upper cover (Calked)	1	3	6	12	3.5Y8/0.5		-
	Print Unit	2	42014602		Upper cover (Calked)	1	3	6	12	0.7P2.3/1.0 DELL(ODA)		-
	Print Unit	3	42014801		DIP switch cover	1	3	6	12	3.5Y8/0.5		-
	Print Unit	3	42014802		DIP switch cover	1	3	6	12	0.7P2.3/1.0 DELL(ODA)		-
	Print Unit	4	42594601		Cover Assy.-Access(affixed)	1	3	6	12	3.5Y8/0.5		-
	Print Unit	4	42594603		Cover Assy.-Access(affixed)	1	3	6	12	0.7P2.3/1.0 DELL(ODA)		-
	Print Unit	4	42178701		Cover-Access(Tractor)	1	3	6	12	3.5Y8/0.5 Option		-
	Print Unit	4	42178702		Cover-Access(Tractor)	1	3	6	12	0.7P2.3/1.0 Option DELL(ODA)		-
	Print Unit	5	40673402		Platen knob	1	3	6	12	PMS Cool Gray 7C		-
	Print Unit	5	40673403		Platen Knob	1	3	6	12	Black DELL(ODA)		-
	Print Unit	6	42019601		Connector cover	1	3	6	12	3.5Y8/0.5 Except Serial		-
	Print Unit	6	42019602		Connector cover	1	3	6	12	0.7P2.3/1.0 DELL(ODA)		-
	Print Unit	8	42666401		Dot head-9pin	1	9	18	36			G
	Print Unit	10	PA4025-2633G001	3PA4025-2633G001	Pin Tractor Assy	1	3	6	12	Option		G
	Print Unit	11	PB4025-1130P001	2PB4025-1130P001	Tractor Cover	1	3	6	12	Option		-
	Print Unit	12	42017901		Sheet separator assembly	1	3	6	12	3.5Y8/0.5		-
	Print Unit	12	42017902		Sheet Separator Assembly	1	3	6	12	0.7P2.3/1.0 DELL(ODA)		-
	Print Unit	13	42593801		Mechanical Unit	1	-	-	-	3.5Y8/0.5 ML186 ODA		G
	Print Unit	13	42593802		Mechanical Unit	1	-	-	-	3.5Y8/0.5 ML280Elite OEL		G
	Print Unit	13	42593803		Mechanical Unit	1	-	-	-	3.5Y8/0.5 ML184Turbo+ AOS		G
	Print Unit	13	42593804		Mechanical Unit	1	-	-	-	3.5Y8/0.5 ML186 DC Model ODA		G
	Print Unit	13	42593805		Mechanical Unit	1	-	-	-	3.5Y8/0.5 ML280Elite DC Model OEL		G
	Print Unit	13	42593806		Mechanical Unit	1	-	-	-	3.5Y8/0.5 ML184Turbo+ DC Model		G
	Print Unit	13	42593807		Mechanical Unit	1	-	-	-	0.7P2.3/1.0 ML186 DELL(ODA)		G
	Print Unit	14	43432202		Board-LAF	1	3	6	12			-
	Print Unit	15	43432002		Board-REF-2	1	3	6	12	ODA AC Model W/O ROM		-
	Print Unit	15	43432006		Board-REF-3	1	3	6	12	OEL DC Model W/O ROM		-
	Print Unit	15	43432008		Board-REF-4	1	3	6	12	ODA DC Model W/O ROM		-
	Print Unit	15	43432010		Board-REF-3	1	3	6	12	AOS DC Model W/O ROM		-
7	Print Unit	15	43777402		Board-REE-2	1	3	6	12	ODA AC-SERIAL Model W/I FROM	A	-
7	Print Unit	15	43777404		Board-REE-	1	3	6	12	OEL AC Model W/I FROM	A	-
7	Print Unit	15	43777406		Board-REE-	1	3	6	12	AOS AC Model W/I FROM	A	-
	Print Unit	16	42559901		PWR unit-ACDC DROP(120V)	1	3	6	12	120V		G
	Print Unit	16	42560001		PWR unit-ACDC DROP(230V)	1	3	6	12	230V		G
	Print Unit	16	42657301		PWR unit-DCDC	1	3	6	12	DC Model		G
	Print Unit	19	42639501		Label-Logo(ML186)	1	3	6	12	For ML186(ODA)		-
	Print Unit	19	42589201		Label-Logo(ML280Elite)	1	3	6	12	For ML280Elite (OEL)		-
	Print Unit	19	42589101		Label-Logo(ML184T+)	1	3	6	12	For ML184Turbo+ (AOS)		-
	Printer Mechanism	1	42612501		Base-Frame	1	1	2	4			-
	Printer Mechanism	2	41766301		Platen assembly	1	3	6	12			G
	Printer Mechanism	3	PA4025-1027G005	3PA4025-1027G005	Paper chute assembly	1	3	6	12			-
	Printer Mechanism	5	41996701		Bottom paper guide assembly	1	5	10	20			G
	Printer Mechanism	6	41858101		Near end bracket	1	1	2	4			-
	Printer Mechanism	7	PB4025-1039P001	4PB4025-1039P001	Near end lever	1	3	6	12			-
	Printer Mechanism	8	PB4025-1040P001	4PB4025-1040P001	Bottom near end lever	1	3	6	12			-
	Printer Mechanism	9	PB4025-2829G001	4PB4025-2829G001	Carriage frame set	1	3	6	12			-
	Printer Mechanism	10	PP4025-1048P001	4PP4025-1048P001	Head clamp	1	3	6	12			-
	Printer Mechanism	12	42594301		Feed Gear Assy.-Ribbon	1	3	6	12			-
	Printer Mechanism	13	PB4044-5125P001	3PB4044-5125P001	15Pin connector	1	3	6	12			G
	Printer Mechanism	14	PB4025-1088P001	4PB4025-1088P001	Slider	1	5	10	20			-
	Printer Mechanism	16	42585601		Cable-Retainer	1	1	2	4			-
	Printer Mechanism	17	42558801		Space Motor Assy.-	1	5	10	20			G
	Printer Mechanism	18	42128801		Carriage shaft	1	3	6	12			G
	Printer Mechanism	20	42594401		Shaft Assy.-Indicator	1	3	6	12	PMS Cool Gray 7C		G
	Printer Mechanism	20	42594403		Shaft Assy.-Indicator	1	3	6	12	Black DELL(ODA)		G
	Printer Mechanism	22	PB4025-1097P001	4PB4025-1097P001	Front pressure spring (R)	1	5	10	20			-
	Printer Mechanism	23	PB4025-1139P001	4PB4025-1139P001	Front pressure spring (L)	1	5	10	20			-
	Printer Mechanism	28	42581701		Motor-Pulse LF	1	5	10	20			G
	Printer Mechanism	29	PB4025-1106P001	4PB4025-1106P001	Tension spring	1	3	6	12			-
	Printer Mechanism	30	PB4025-1107P001	4PB4025-1107P001	Release post	1	3	6	12			G
	Printer Mechanism	31	PB4025-1108P001	4PB4025-1108P001	Release link (FRONT)	1	3	6	12			-
	Printer Mechanism	32	PB4025-1109P001	4PB4025-1109P001	Release link (REAR)	1	3	6	12			-
	Printer Mechanism	33	PB4025-1110P001	4PB4025-1110P001	Release link	1	3	6	12			-
	Printer Mechanism	34	42014501		Release lever	1	3	6	12	PMS Cool Gray 7C		-
	Printer Mechanism	34	42014502		Release lever	1	3	6	12	Black DELL(ODA)		-
	Printer Mechanism	35	42583701		Stopper-Rubber	1	3	6	12			-
	Printer Mechanism	36	PB4025-1159P001	4PB4025-1159P001	Grommet	4	3	6	12			-
6	Printer Mechanism	37	42587201		Space_Rack	1	5	10	20		A	-
	Printer Mechanism	38	42559201		Film-Head_Cable	1	3	6	12			-
	Printer Mechanism	39	42598301		Sensor Assy.-bail	1	10	20	40	OEL AOS		G
	Printer Mechanism	40	42594001		Cover-Lower Assy	1	3	6	12	3.5Y8/0.5		-
	Printer Mechanism	40	42594002		Cover-Lower Assy	1	3	6	12	3.5Y8/0.5 DC Model		-
	Printer Mechanism	40	42594004		Cover-Lower Assy	1	3	6	12	0.7P2.3/1.0 DELL(ODA)		-
	Printer Mechanism	41	PP4025-1152P001	4PP4025-1152P001	Washer	4	3	6	12			G

Rev.	Unit Name	No.	Part No.	SAP Part No	Part Name	Q'ty /Unit	Recommended Q'ty/Year			Remarks	Del /Add	Remarks for environment
							per 500	per 1000	per 2000			
	Printer Mechanism	43	42597801		Cable-Assy. (affixed)	1	10	20	40			G
	Printer Mechanism	44	YA4021-1002G002		HIGH SPPED RS232C SLHI-PCB	1	3	6	12	Option ODA		G
	Printer Mechanism	44	41875101		Board-SLHI	1	3	6	12	Option OEL,AOS		G
	Pin Tractor Unit	1	PB4025-2667P001	3PB4025-2667P001	PIN TRACTOR(R) ASSY	1	3	6	12	Option		G
	Pin Tractor Unit	2	PB4025-2668P001	3PB4025-2668P001	PIN TRACTOR(L) ASSY	1	3	6	12	Option		G

Printer Unit



Printer Mechanism



Pin Tractor Unit

