



**FACSIMILE EQUIPMENT**

**PARTS REFERENCE LIST**

**MODEL: MFC9760 / MFC9860 / MFC9880**

**( For Germany / United Kingdom / France /  
Norway / Belgium / Netherlands /  
Switzerland / Ireland / Denmark /  
Austria / Spain / Italy / Sweden /  
Euro Generic )  
( For Australia / New Zealand / Asia )**

© Copyright Brother 2001

All rights reserved

No part of this publication may be reproduced in any form  
or by any means without permission in writing from the  
publisher.

Specifications are subject to change without prior notice.

## NOTES FOR USING THIS PARTS REFERENCE LIST

1. In the case of ordering parts, it needs mentioning the following items:

- (1) Code
- (2) Q' ty
- (3) Description

Note: No orders without Parts Code or Tool No. can be accepted.

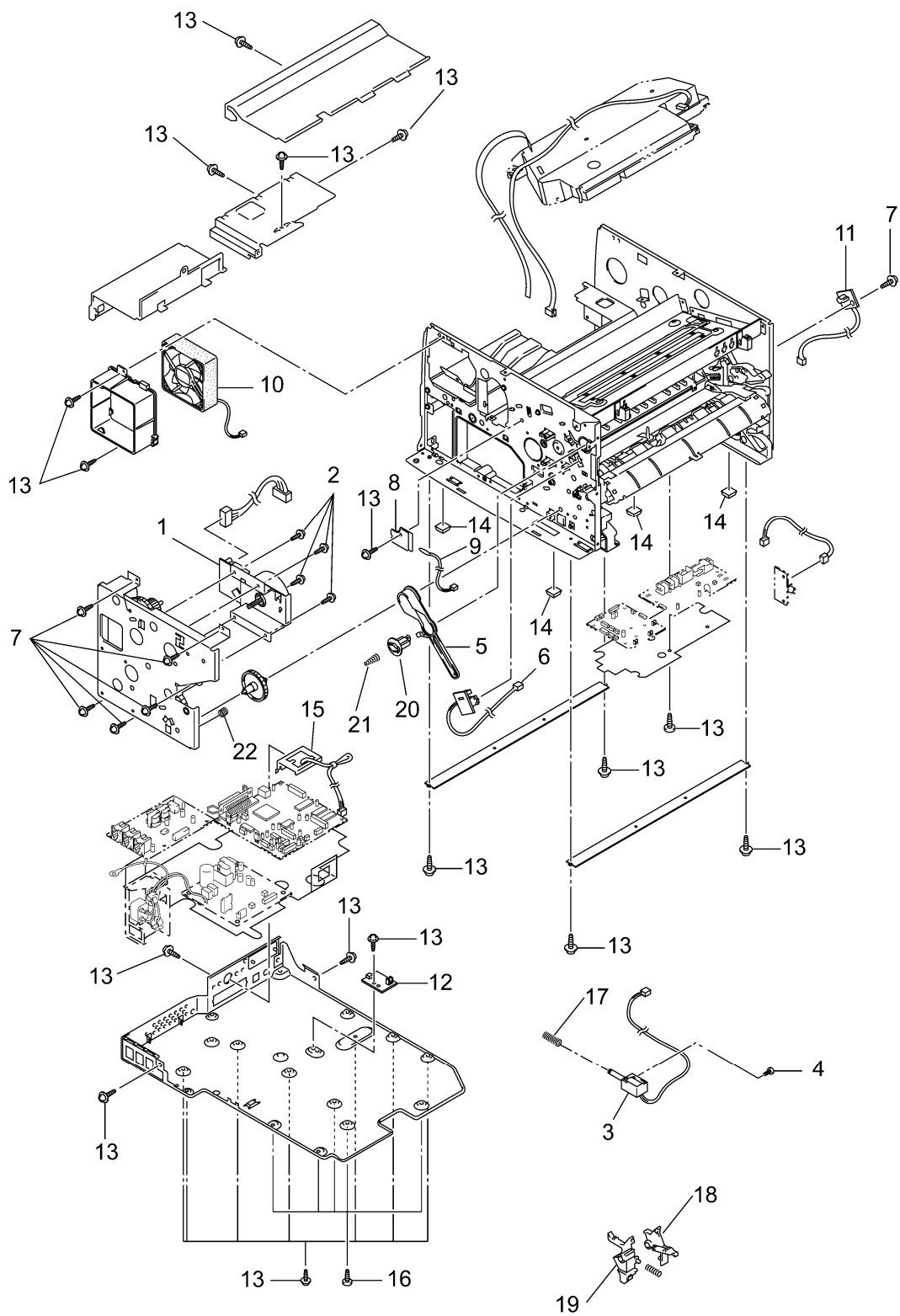
[Example]

REF.NO.	CODE	Q' TY	DESCRIPTION	RECOMMEND	REMARKS

2. Parts change will be informed by the technical information.

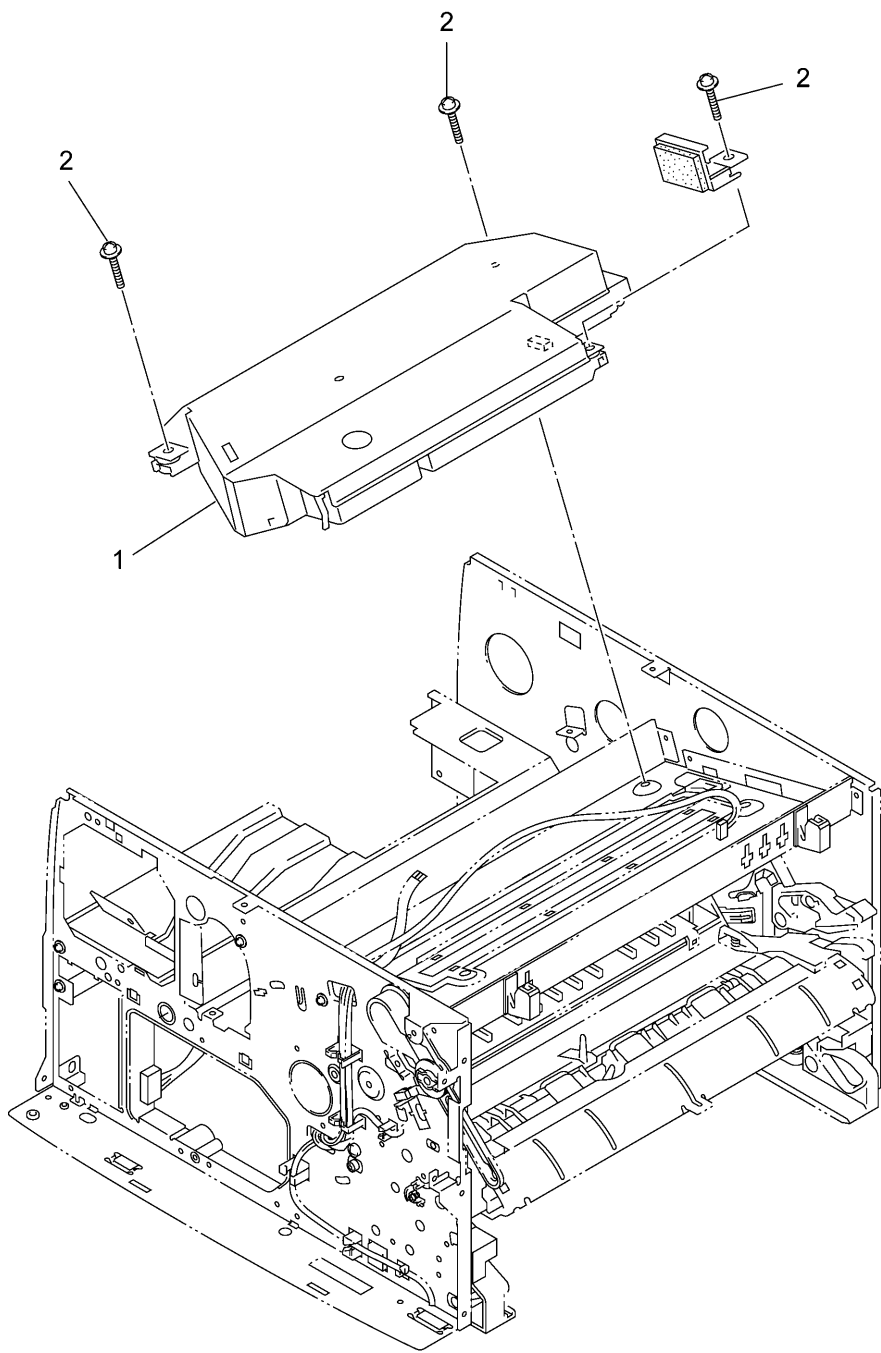
## COUNTRIES

GERMANY ---- GER  
UNITED KINGDOM ---- UK  
FRANCE ---- FRA  
NORWAY ---- NOR  
BELGIUM ---- BEL  
NETHERLANDS ---- NLD  
SWITZERLAND ---- CHE  
IRELAND ---- IRE  
DENMARK ---- DEN  
AUSTRIA ---- AUS  
SPAIN ---- SPA  
ITALY ---- ITA  
SWEDEN ---- SWE  
EURO GENERIC ---- GNR  
  
AUSTRALIA ---- ARL  
NEW ZEALAND ---- NZ  
ASIA ---- ASA



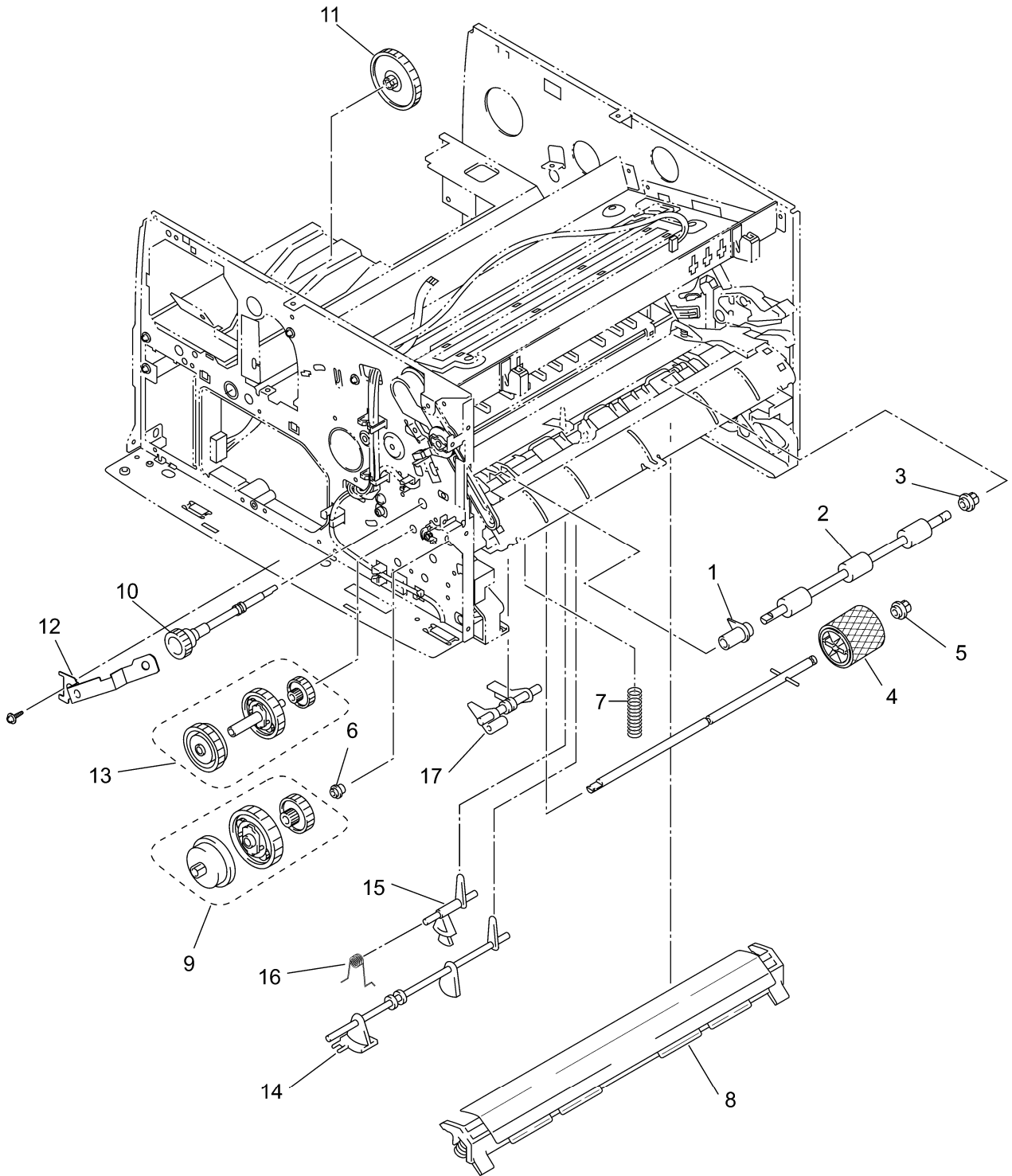
## LIST1(MAIN FRAME)

REF No.	CODE	Q'TY	DESCRIPTION	RECOMMEND	REMARK
1	LE1744001	1	MAIN MOTOR ASSY		
2	087320616	4	TAPTITE, CUP S M3X6		
3	LJ5701001	1	SOLENOID ASSY		
4	000300415	1	SCREW, BIND M3X4		
5	UL8984001	1	FRONT COVER LINK		
6	LJ5704001	1	TONER SENSOR (LED) PCB		
7	087320616	6	TAPTITE, CUP S M3X6		
8	LE1166001	1	THERMISTOR FILM		
9	LG2423001	1	IN CASING TEMPERATURE THERMISTOR		
10	LJ4745001	1	FAN		
11	UL9104001	1	TONER SENSOR (RECEIVER) PCB		
12	LG2438001	1	PAPER EJECTION SENSOR PCB		
13	087320616	21	TAPTITE, CUP S M3X6		
14	UL8507001	4	RUBBER FOOT		
15	LJ8031001	1	2ND CASSETTE RELAY PCB		
16	085411215	5	SCREW, BIND B TITE M4X12		
17	LJ5703001	1	SOLENOID RELEASE SPRING		
18	UL8972001	1	P/R CLUTCH LEVER		
19	UL8971001	1	F/R CLUTCH LEVER		
20	UL8982001	1	DEVELOP JOINT		
21	UL8983001	1	JOINT SPRING		
22	UL8959001	4	FRICITION SPRING		



## LIST2(LASER UNIT)

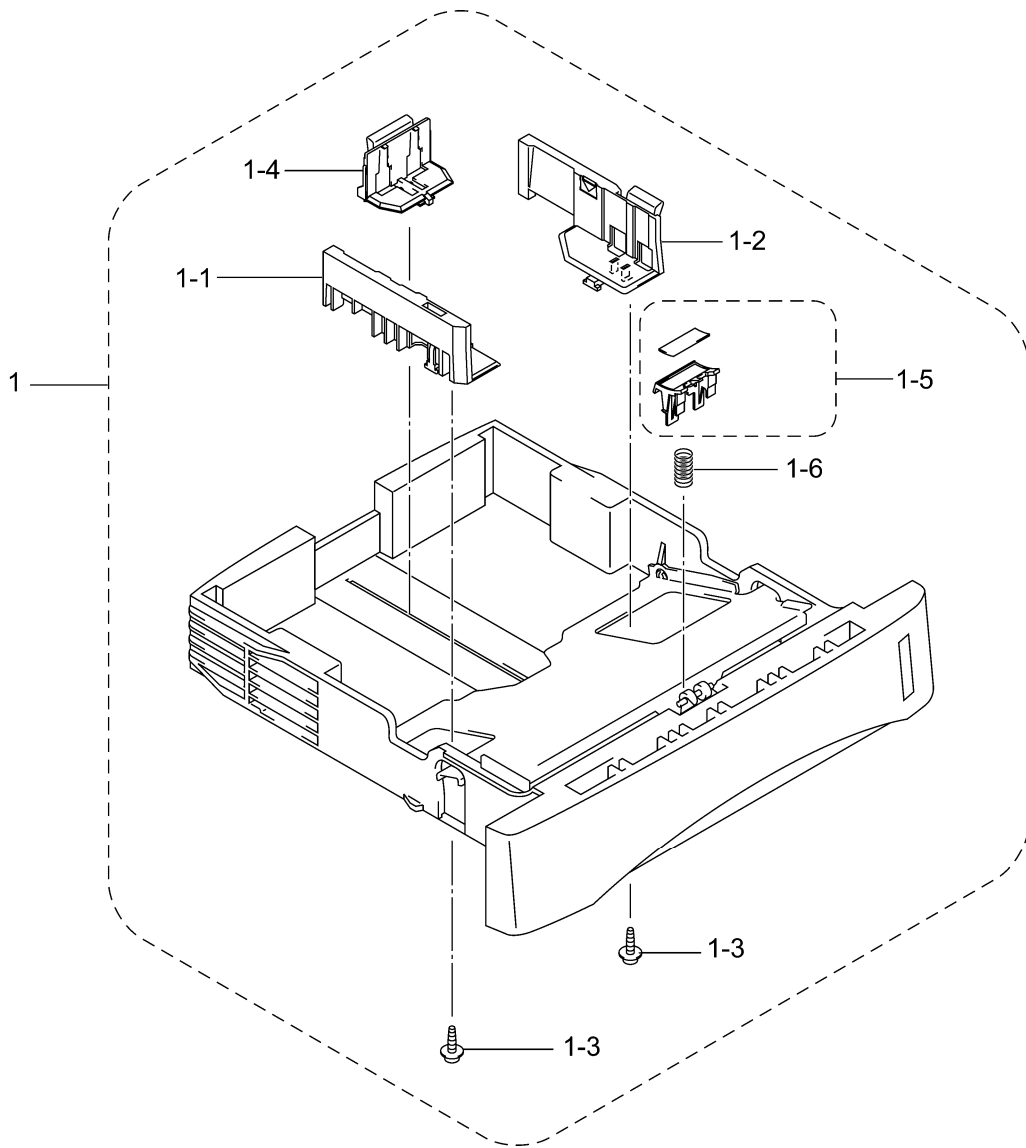
REF No.	CODE	Q'TY	DESCRIPTION	RECOMMEND	REMARK
1	LJ5828001	1	LASER UNIT(SP)	1	
2	087321615	3	TAPTITE, CUP S M3X16		





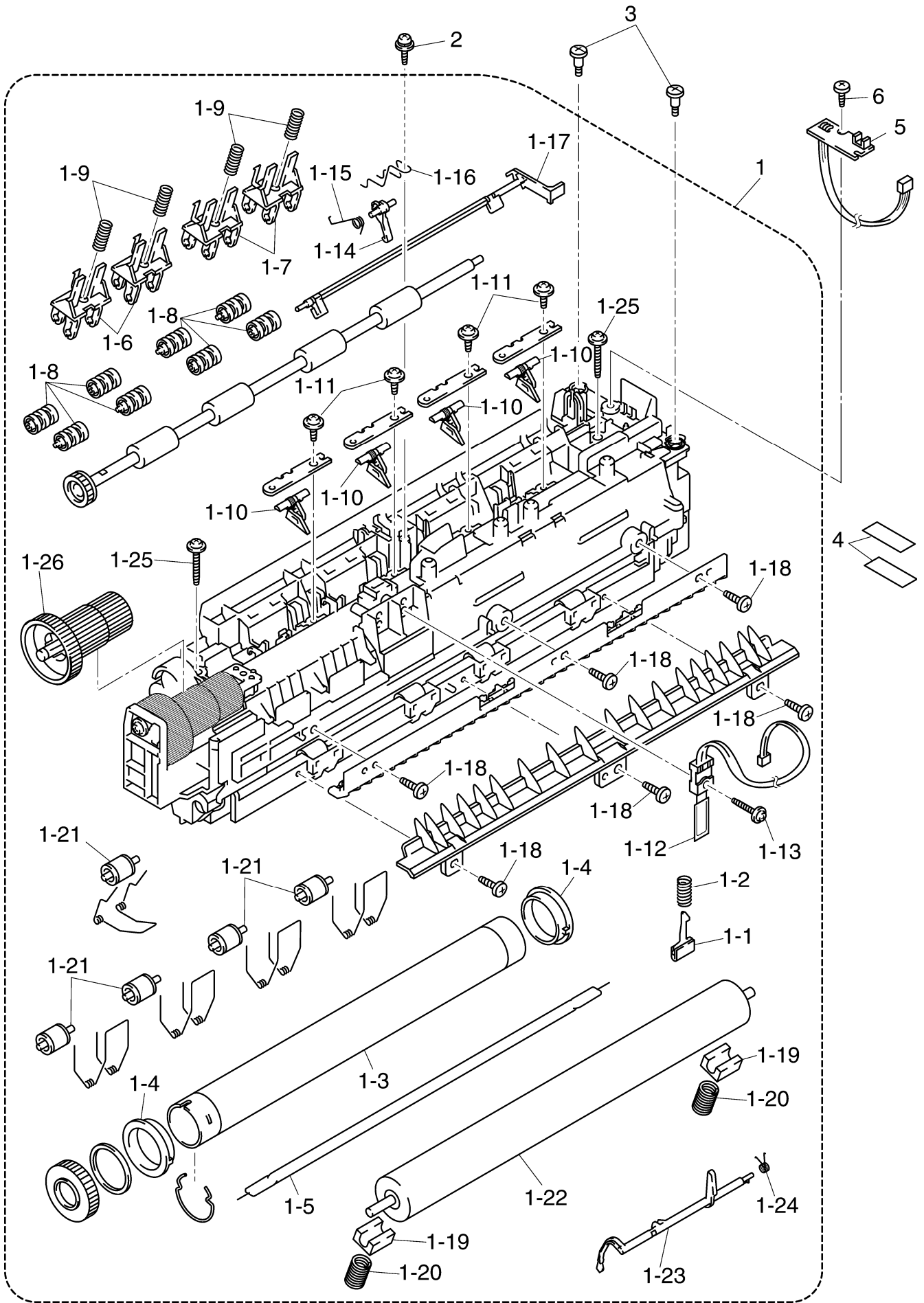
## LIST3(PAPER TRANSPORT)

REF No.	CODE	Q'TY	DESCRIPTION	RECOMMEND	REMARK
1	UL9059001	1	JOINT		
2	UL9060001	1	PAPER FEED ROLLER ASSY		
3	UL9062001	1	PAWLED BUSHING		
4	UL9066001	1	PAPER PICK-UP ROLLER		
5	UL9062001	1	PAWLED BUSHING		
6	UL9069001	1	CONDUCTOR BUSHING		
7	LJ4499001	1	ELECTRODE SPRING		
8	LJ4843001	1	OUTER CHUTE 1 (SP)		
9	LJ5591001	1	PICKUP ROLLER PLANETARY GEAR ASSY (SP)		
10	UL9070001	1	GEAR 21		
11	UL8985001	1	GEAR 59		
12	LJ5705001	1	GEAR 21 PRESSURE PLATE		
13	LJ5838001	1	FEED ROLLER PLANETARY GEAR ASSY (SP)		
14	UL9049001	1	MANUAL INSERTION SENSOR ACTUATOR		
15	UL9050001	1	REGISTRATION SENSOR ACTUATOR		
16	UL9051001	1	REGISTRATION SENSOR SPRING		
17	UU2042001	1	CASSETTE SENSOR ACTUATOR		



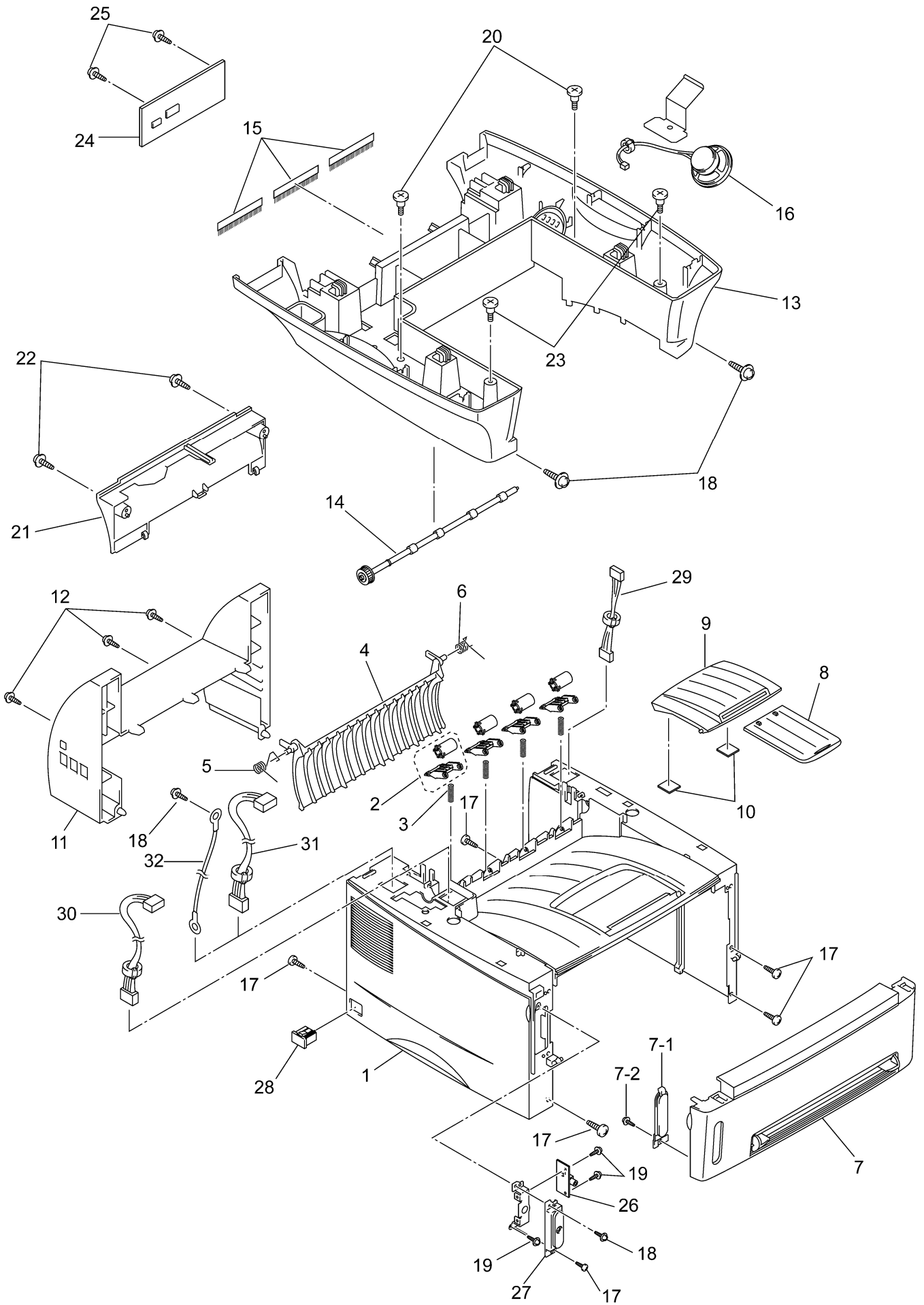
## LIST4(PAPER TRAY)

REF No.	CODE	Q'TY	DESCRIPTION	RECOMMEND	REMARK
1	LJ4181001	1	PAPER TRAY ASSY (SP)	1	
1-1	UL9078001	1	SIDE GUIDE L, BLUE(6155)		
1-2	UL9079001	1	SIDE GUIDE R, BLUE(6155)		
1-3	U73515001	2	SCREW, CUP B M2.6X5		
1-4	UL9083001	1	PAPER REAR GUIDE, BLUE(6155)		
1-5	UL9084001	1	SEPARATION PAD SUPPORT ASSY		
1-6	UL9090001	1	SEPARATION PAD SPRING		



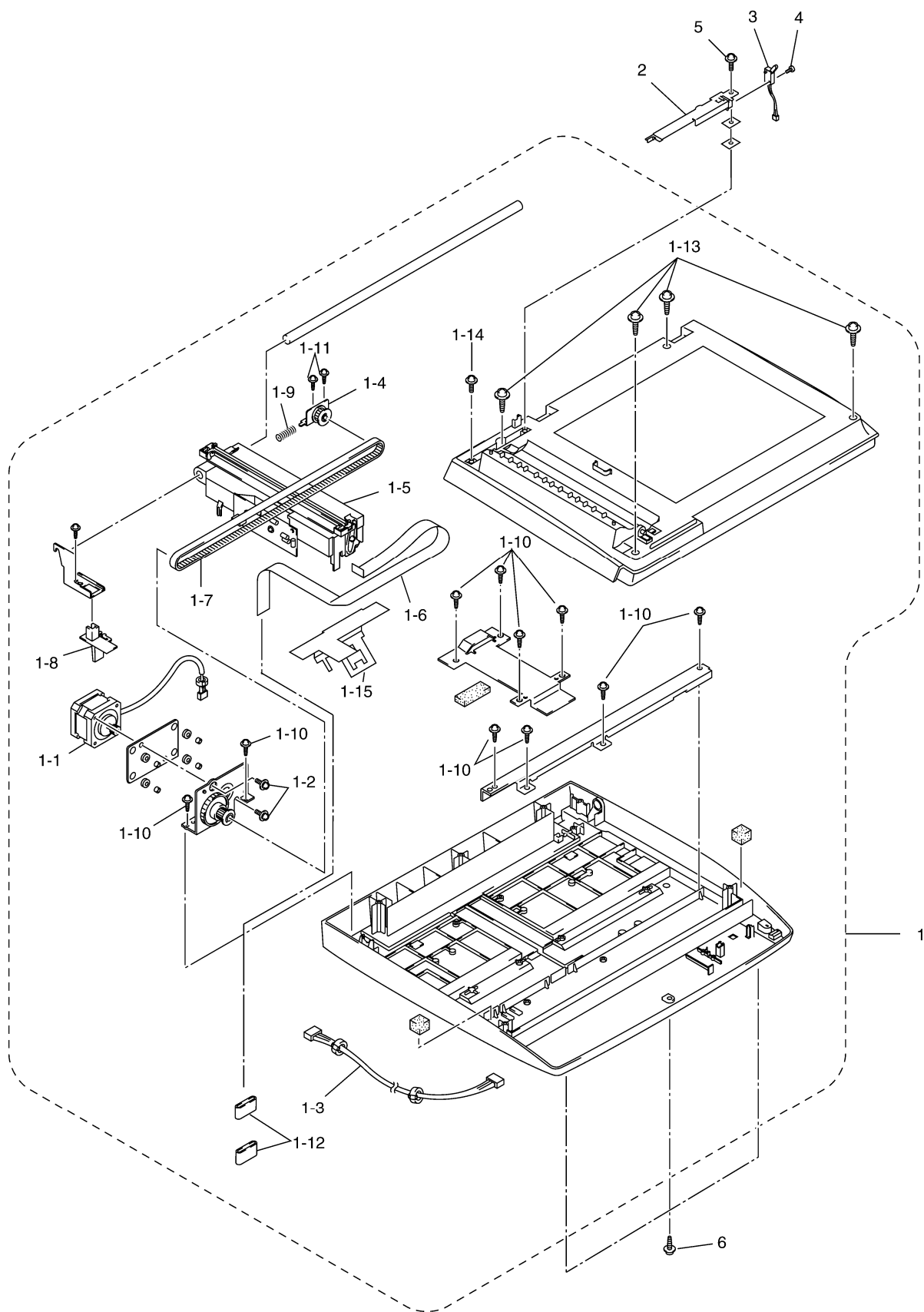
## LIST5(HEAT FIXING UNIT)

REF No.	CODE	Q'TY	DESCRIPTION	RECOMMEND	REMARK
1	LJ7162001	1	FIXING UNIT, 230V (SP)	1	
1-1	LJ5682001	1	CLEANER ASSY		
1-2	UH3635001	1	CLEANER SPRING 30		
1-3	LJ5684001	1	HEAT ROLLER 25		
1-4	UL8908001	2	HR BEARING 25		
1-5	LJ5695001	1	HALOGEN LAMP, 230V		
1-6	LJ5276001	2	EJECT PINCH ROLLER HOLDER L		
1-7	LJ5277001	2	EJECT PINCH ROLLER HOLDER R		
1-8	LJ5278001	8	EJECT PINCH ROLLER		
1-9	LJ5279001	4	EJECT PINCH SPRING		
1-10	LJ5280001	4	PICK OFF FINGER ASSY 2		
1-11	087310615	4	TAPTITE, CUP B M3X6		
1-12	LJ5686001	1	THERMISTOR ASSY		
1-13	085311216	1	SCREW, BIND B TITE 3X12		
1-14	LJ5734001	1	EJECT ACTUATOR 2		
1-15	LJ5732001	1	EJECT ACTUATOR SPRING 2		
1-16	LJ5736001	1	ACTUATOR HOLDER		
1-17	LJ5735001	1	EJECT ACTUATOR 3		
1-18	085311015	6	SCREW, BIND B TITE 3X10		
1-19	UL8916001	2	PR BUSHING		
1-20	LJ5690001	2	PR SPRING		
1-21	LJ5268001	5	CLEANER PINCH ROLLER ASSY		
1-22	LJ5287001	1	PRESSURE ROLLER 25		
1-23	UL8920001	1	PAPER EJECT ACTUATOR		
1-24	UL8921001	1	EJECT ACTUATOR SPRING		
1-25	087312015	2	TAPTITE, CUP B M3X20		
1-26	UL8923001	1	FU DRIVER GEAR		
2	087320815	1	TAPTITE, CUP S M3X8		
3	LJ4740001	2	SHOULDER SCREW		
4	LJ4432001	2	TAPE 32X12		
5	LJ8841001	1	JAM SENSOR PCB ASSY		
6	085311015	1	SCREW, BIND B TITE 3X10		



## LIST6(COVER)

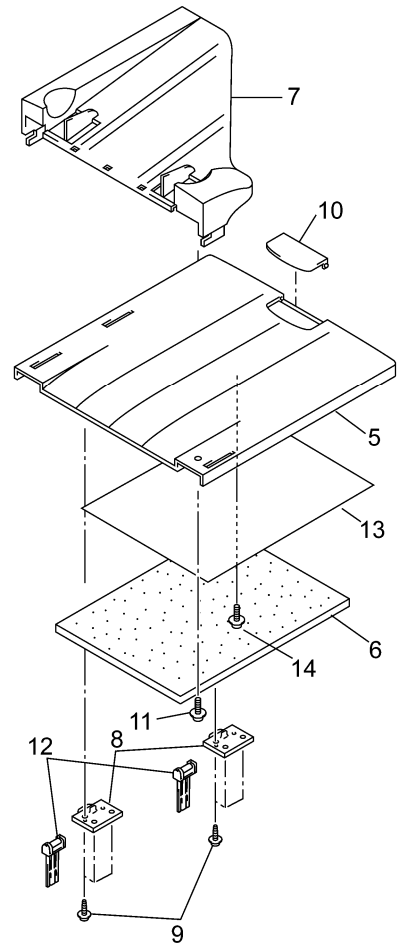
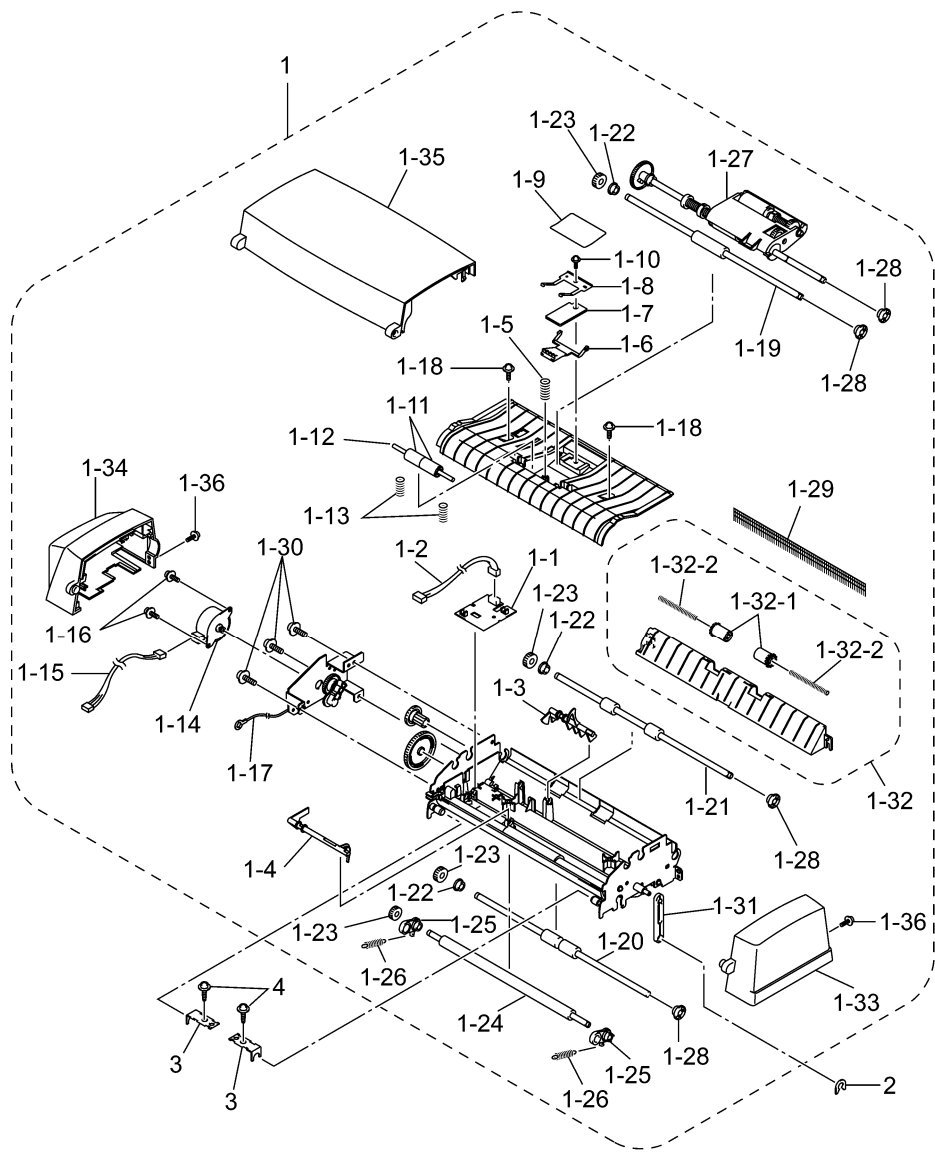
REF No.	CODE	Q'TY	DESCRIPTION	RECOMMEND	REMARK
1	LJ5751001	1	MAIN COVER ASSY, GRAY(1495)		
2	UL9122001	4	PINCH ROLLER ASSY		
3	UL9125001	4	PINCH ROLLER SPRING		
4	LJ5763001	1	OUTER CHUTE, GRAY(1495)		
5	UL9127001	1	CHUTE SPRING L		
6	UL9128001	1	CHUTE SPRING R		
7	UU2102003	1	FRONT COVER ASSY, GRAY(1495)		
7-1	UU2094001	1	FRONT SUB COVER, GRAY(1495)		
7-2	087310815	1	TAPTITE, CUP B M3X8		
8	LE1197001	1	PAPER SUB TRAY, GRAY(1495)		
9	LE1198001	1	PAPER SUB TRAY COVER, GRAY(1495)		
10	LE1291001	1	TRAY COVER ADHESIVE TAPE		
11	UU2002001	1	REAR COVER, GRAY(1495)		
12	0A5401006	3	SCREW, PAN (S/P WASHER) M4X10		
13	LE1200001	1	SCANNER MOUNT, GRAY(1495)		
14	UL9142001	1	EXIT ROLLER ASSY		
15	LJ4125001	3	ANTI-STATIC BRUSH		
16	LG2425001	1	SPEAKER UNIT		
17	085320816	6	TAPTITE, BIND S M3X8		
18	087321015	4	TAPTITE, CUP S M3X10		
19	----		NOT USED		
20	UF9823001	2	SHOULDER SCREW		
21	LE1202001	1	UPPER REAR COVER		
22	087411216	2	TAPTITE, CUP B M4X12		
23	LE1368001	2	SHOULDER SCREW BIND B M4X8		
24	LG3260001	1	RELAY PCB ASSY	1	
25	087311016	2	TAPTITE, CUP B M3X10		
26	----		NOT USED		
27	----		NOT USED		
28	UU2045001	1	SWITCH COVER, MFC9860/9880		
29	LG3360001	1	MAIN-PANEL HARNESS		
30	LG3361001	1	MAIN-CCD HARNESS		
31	LG3362001	1	MAIN-MOTOR HARNESS		
32	----		NOT USED		
(33)	UF5745000	1	MJ COVER, MFC9860, MFC9880 FOR GER/UK/FRA/BEL/DEN/AUS/ITA/SWE		
(34)	LE8190001	1	SUB BACK COVER, MFC9860		





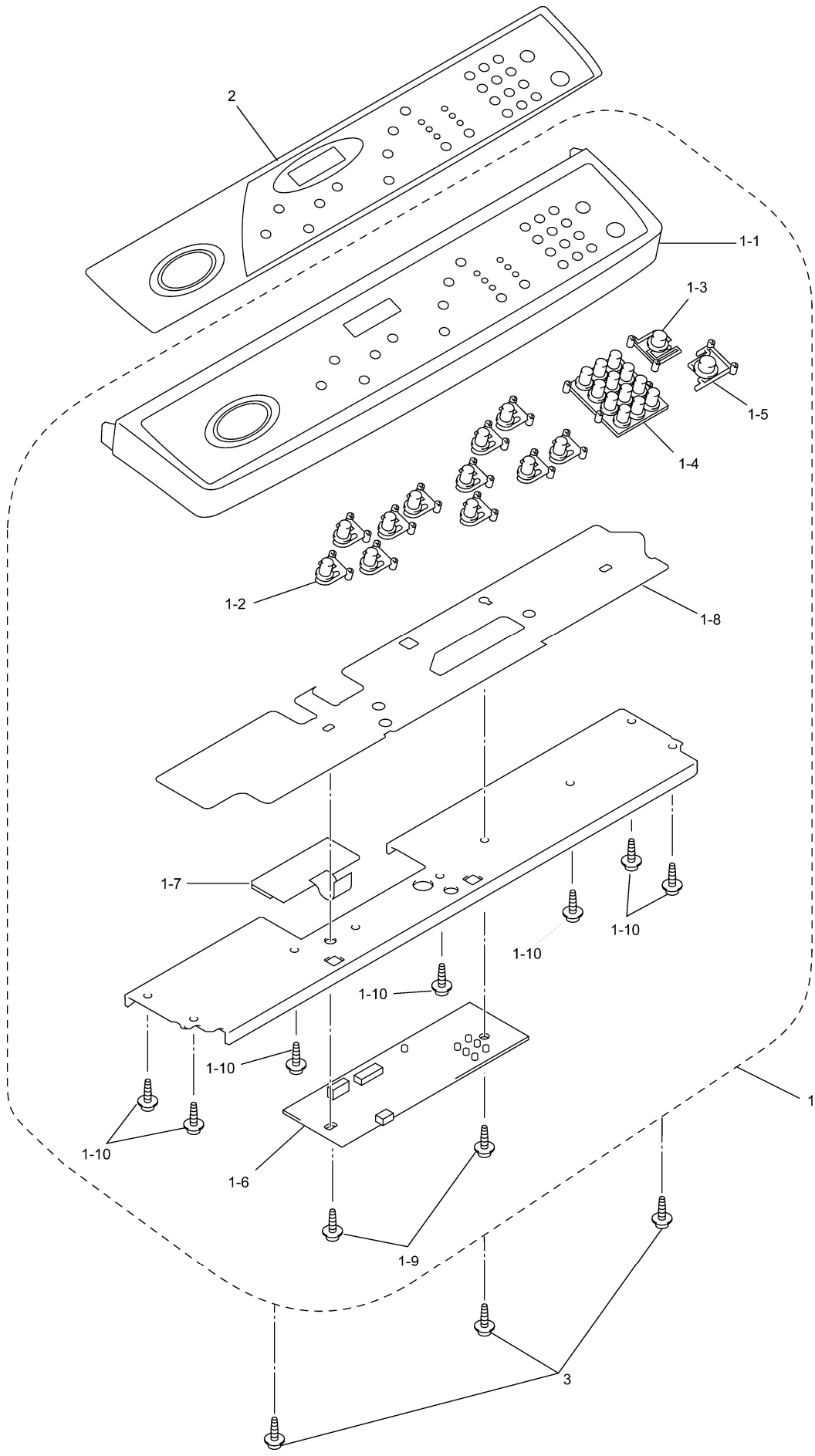
## LIST7(DOCUMENT SCANNER)

REF No.	CODE	Q'TY	DESCRIPTION	RECOMMEND	REMARK
1	LE7574001	1	SCANNER UNIT (SP)	1	
1-1	LE3338001	1	CCD MOTOR (INCLUDING HARNESS)		
1-2	0A4300605	2	SCREW, PAN (S/P WASHER) M3X6		
1-3	LG2025001	1	PANEL HARNESS		
1-4	LE3417001	1	PULLEY ASSY		
1-5	LE7777001	1	CCD UNIT ASSY (SP)	1	
1-6	LE8487001	1	CCD FLAT CABLE ZLE		
1-7	LE3423001	1	CCD DRIVE BELT		
1-8	LE2082001	1	CCD LOCK		
1-9	LE2079001	1	COMPRESSION SPRING		
1-10	087310815	10	TAPTITE, CUP B M3X8		
1-11	LE2805001	2	TAPTITE, PAN B M3X10		
1-12	LG2020001	2	FLAT CORE (CCD)		
1-13	087411216	4	TAPTITE, BIND B M4X12		
1-14	087310815	1	TAPTITE, CUP B M3X8		
1-15	LE2542001	1	FERRITE CORE SUPPORT		
2	LE3500001	1	HARNESS SUPPORT		
3	LG2737001	1	DOCUMENT COVER SWITCH		
4	LE0832001	1	TAPTITE, PAN P 1.6X8		
5	087311016	1	TAPTITE, CUP B M3X10		
6	087310815	3	TAPTITE, CUP B M3X8		



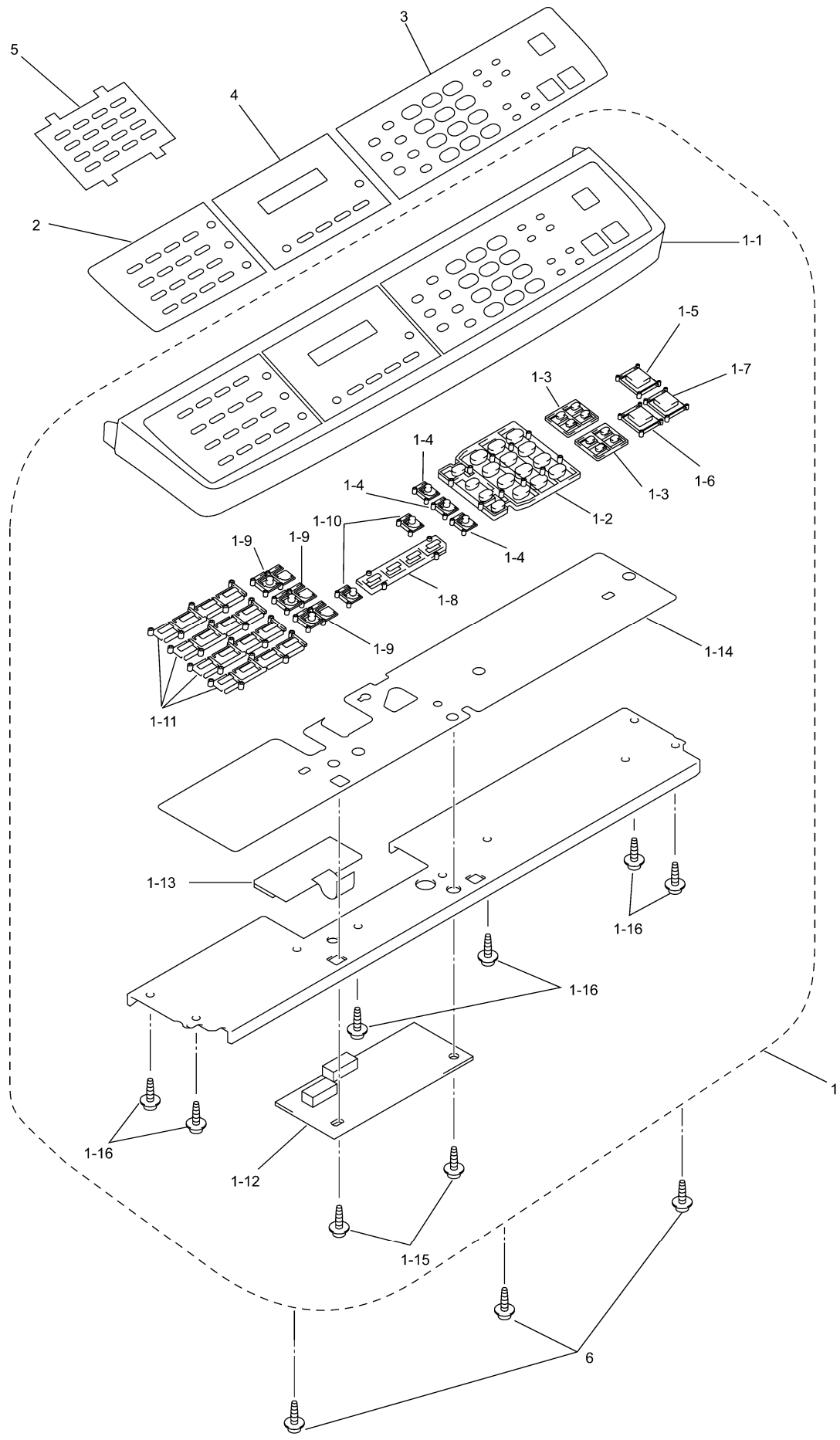
## LIST8(ADF&amp;TRAY)

REF No.	CODE	Q'TY	DESCRIPTION	RECOMMEND	REMARK
1	LE1525001	1	ADF UNIT(SP)	1	
1-1	UG6609001	1	DOCUMENT SENSOR PCB		
1-2	LG2014001	1	DOCUMENT SENSOR HARNESS		
1-3	UF7026001	1	DOCUMENT FRONT SENSOR ACTUATOR		
1-4	LE2008001	1	DOCUMENT REAR SENSOR ACTUATOR		
1-5	LE2011001	1	COMPRESSION SPRING		
1-6	LE2551001	1	RUBBER HOLDER A		
1-7	UU2055001	1	SEPARATION RUBBER		
1-8	LE2550001	1	SPRING PLATE A ASSY		
1-9	LE2470001	1	ADF FILM		
1-10	UF6116001	1	TAPTITE, PAN B M3X6		
1-11	UF9009001	2	PRESSER ROLLER		
1-12	LE2471001	1	PRESSURE ROLLER SHAFT		
1-13	LE2472001	2	PRESSURE ROLLER SPRING		
1-14	LE1215001	1	ADF MOTOR		
1-15	LG2201001	1	ADF MOTOR HARNESS		
1-16	0A4300605	2	SCREW, PAN (S/P WASHER) M3X6		
1-17	LG2016001	1	GROUNDING WIRE		
1-18	087310815	2	TAPTITE, CUP B M3X8		
1-19	LE2026001	1	UPPER LF ROLLER (GRAY)		
1-20	LE2029001	1	LOWER LF ROLLER( BLACK)		
1-21	LE2028001	1	DOCUMENT EJECTION ROLLER		
1-22	UF8105001	3	CONDUCTIVE BUSHING		
1-23	UU7039001	4	LF ROLLER GEAR 27		
1-24	LE2030001	1	WHITE ROLLER		
1-25	LE2032001	2	WHITE ROLLER BUSHING		
1-26	LE2033001	2	EXTENSION SPRING		
1-27	LE2919001	1	DOCUMENT FEED ROLLER HOLDER ASSY		
1-27-1	LE2037001	2	DOCUMENT FEED ROLLER (RUBBER)		
1-28	UU1290001	4	CONDUCTIVE BUSHING		
1-29	UU7505001	1	ANTI-STATIC BRUSH		
1-30	087320616	3	TAPTITE, CUP S M3X6		
1-31	UF0208001	1	ADF ARM		
1-32	LE2048001	1	DOCUMENT EJECTION CHUTE ASSY		
1-32-1	LE2582001	2	PINCH ROLLER, GRAY(1267)		
1-32-2	UU2009001	2	PINCH ROLLER SPRING		
1-33	LE2050001	1	ADF SIDE COVER F, GRAY(1495)		
1-34	LE2051001	1	ADF SIDE COVER R, GRAY(1495)		
1-35	LE2534001	1	ADF COVER ASSY, GRAY(1495)		
1-36	087320816	2	TAPTITE, CUP S M3X8		
2	UF8088001	1	PLASTIC RETAINING RING		
3	LE2053001	2	ADF SUPPORT		
4	087310816	2	TAPTITE, CUP B M3X8		
5	LE2056001	1	DOCUMENT TRAY, GRAY(1495)		
6	LE2487001	1	DOCUMENT SPONGE		
7	LE3426001	1	DOCUMENT TRAY ASSY		
8	LE2567001	2	HINGE A, BLACK		
9	087311015	6	TAPTITE, CUP B M3X10		
10	LE2777001	1	DOCUMENT SUPPORT, GRAY(1495)		
11	087320816	1	TAPTITE, CUP S M3X8		
12	LE2568001	2	HINGE HOLDER A		
13	LE1568001	1	DOCUMENT TRAY REINFORCEMENT PLATE		
14	UF6116001	1	TAPTITE, PAN B M3X6		



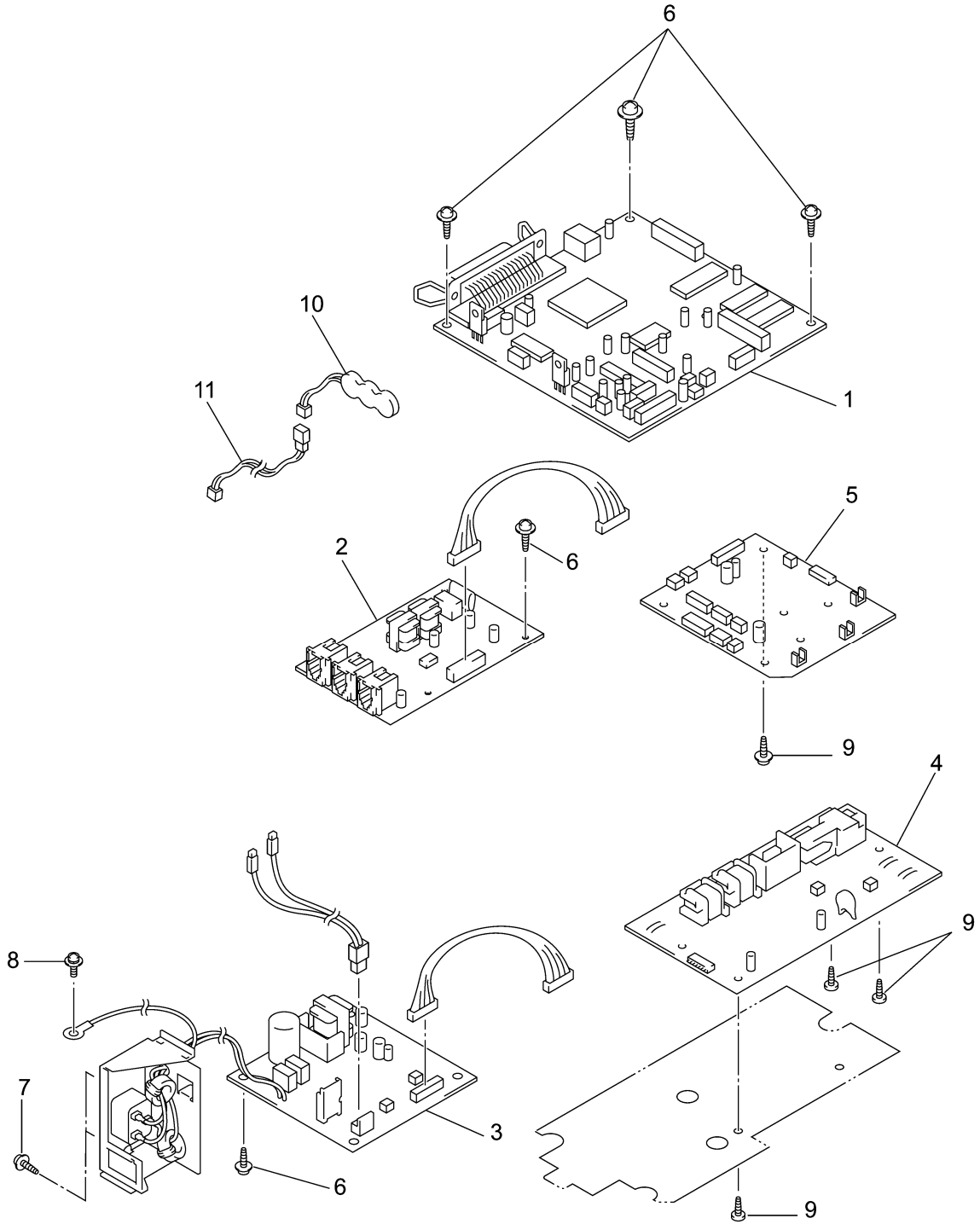
## LIST9A(CONTROL PANEL MFC9760)

REF No.	CODE	Q'TY	DESCRIPTION	RECOMMEND	REMARK
1	LE1685001	1	CONTROL PANEL ASSY		
1-1	LE1336001	1	PANEL COVER		
1-2	LJ4283001	8	KEY, FUNCTION		
1-3	LJ4231002	1	KEY, STOP, PINK(2205)		
1-4	LJ4284001	1	KEY, TEN		
1-5	LJ4285001	1	KEY, COPY, GREEN(5159)		
1-6	LG2326001	1	PANEL PCB ASSY		
1-7	UG4552000	1	LCD		
1-8	LG2381001	1	FPC KEY		
1-9	087270815	2	TAPTITE, CUP B M2.6X8		
1-10	087310815	7	TAPTITE, CUP B M3X8		
2	LE7427001	1	PANEL SHEET, MFC9760 FOR GER	1	
2	LE7434001	1	PANEL SHEET, MFC9760 FOR UK/BEL/NLD/CHE/GNR	1	
2	LE7438001	1	PANEL SHEET, MFC9760 FOR FRA	1	
2	LE8016001	1	PANEL SHEET, MFC9760 FOR DEN	1	
2	LE8022001	1	PANEL SHEET, MFC9760 FOR ITA	1	
3	087310815	3	TAPTITE, CUP B M3X8		



## LIST9B(CONT PANEL MFC9860-9880)

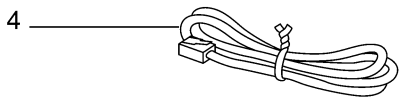
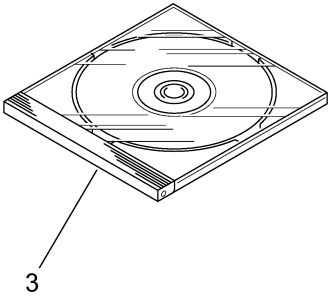
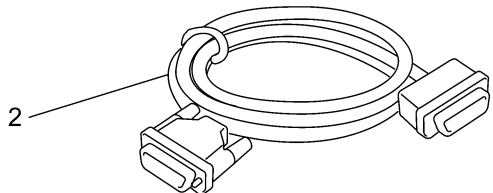
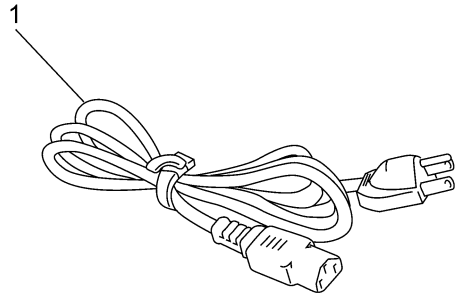
REF No.	CODE	Q'TY	DESCRIPTION	RECOMMEND	REMARK
1	LE7080001	1	CONTROL PANEL ASSY, MFC9880, GRAY(1495)	1	
1	LE8092001	1	CONTROL PANEL ASSY, MFC9860, GRAY(1495)	1	
1-1	LE2273001	1	PANEL COVER, GRAY(1495)		
1-2	UF4393007	1	KEY, TEN, MFC9880, GRAY(1495)		
1-2	LE1537007	1	KEY, TEN, MFC9860, GRAY(1495)		
1-3	LE2274001	2	KEY COPY/FAX AREA, GRAY(1495)		
1-4	----		NOT USED		
1-5	UF8174009	1	KEY, COPY, GREEN(5159)		
1-6	UF8174010	1	KEY, STOP, PINK(2205)		
1-7	UF8174011	1	KEY, START, PURPLE(6255)		
1-8	UF8176010	1	KEY, FUNCTION4, BLUE(6134)		
1-9	UF4576008	3	KEY, SHIFT, GRAY(1495)		
1-10	UF4576015	2	KEY, SHIFT, BLUE(6134)		
1-11	UF9118006	4	KEY, ONE TOUCH, GRAY(1495)		
1-12	LG2138001	1	PANEL PCB ASSY		
1-13	UG4552000	1	LCD		
1-14	LG2190001	1	FPC KEY		
1-15	087270815	2	TAPTITE, CUP B M2.6X8		
1-16	087310815	6	TAPTITE, CUP B M3X8		
2	LE8093001	1	PANEL SHEET-1, MFC9860 FOR GER	1	
2	LE7442001	1	PANEL SHEET-1, MFC9880 FOR GER/AUS	1	
2	LE7458001	1	PANEL SHEET-1, MFC9880 FOR UK/BEL/NLD/CHE/IRE/GNR	1	
2	LE7463001	1	PANEL SHEET-1, MFC9880 FOR FRA	1	
2	LE7970001	1	PANEL SHEET-1, MFC9880 FOR NOR	1	
2	LE7988001	1	PANEL SHEET-1, MFC9880 FOR DEN	1	
2	LE7993001	1	PANEL SHEET-1, MFC9880 FOR SPA	1	
2	LE7998001	1	PANEL SHEET-1, MFC9880 FOR ITA	1	
2	LE8004001	1	PANEL SHEET-1, MFC9880 FOR SWE	1	
2	LE7886001	1	PANEL SHEET-1, MFC9880 FOR ARL/NZ/ASA	1	
3	LE7702001	1	PANEL SHEET-2, MFC9860/MFC9880 FOR GER/AUS	1	
3	LE7300001	1	PANEL SHEET-2, MFC9880 FOR UK/BEL/NLD/CHE/IRE/GNR/ARL/NZ/ASA	1	
3	LE7703001	1	PANEL SHEET-2, MFC9880 FOR FRA	1	
3	LE7969001	1	PANEL SHEET-2, MFC9880 FOR NOR	1	
3	LE7987001	1	PANEL SHEET-2, MFC9880 FOR DEN	1	
3	LE7992001	1	PANEL SHEET-2, MFC9880 FOR SPA	1	
3	LE7997001	1	PANEL SHEET-2, MFC9880 FOR ITA	1	
3	LE8003001	1	PANEL SHEET-2, MFC9880 FOR SWE	1	
4	LE7443001	1	LCD SHEET, MFC9860	1	
4	LE7452001	1	LCD SHEET, MFC9880 FOR GER/AUS	1	
4	LE7462001	1	LCD SHEET, MFC9880 FOR UK/BEL/NLD/CHE/IRE/GNR/ ARL/NZ/ASA	1	
4	LE7464001	1	LCD SHEET, MFC9880 FOR FRA	1	
4	LE7971001	1	LCD SHEET, MFC9880 FOR NOR	1	
4	LE7989001	1	LCD SHEET, MFC9880 FOR DEN	1	
4	LE7994001	1	LCD SHEET, MFC9880 FOR SPA	1	
4	LE7999001	1	LCD SHEET, MFC9880 FOR ITA	1	
4	LE8005001	1	LCD SHEET, MFC9880 FOR SWE	1	
5	LE1341001	1	ADDRESS LABEL		
6	087310815	3	TAPTITE, CUP B M3X8		





## LIST10(PCB)

REF No.	CODE	Q'TY	DESCRIPTION	RECOMMEND	REMARK
1	LG3487001	1	MAIN PCB, MFC9760	1	
1	LG3518001	1	MAIN PCB, MFC9860/9880	1	
2	LG2295061	1	NCU PCB, MFC9860/9880 FOR GER/UK/FRA/NOR/BEL/ NLD/CHE/IRE/DEN/AUS/SPA/ITA/SWE/GNR	1	
2	LG2819002	1	NCU PCB, MFC9880 FOR ARL/NZ	1	
2	LG2821002	1	NCU PCB, MFC9880 FOR ASA	1	
3	LG4016001	1	LOW VOLTAGE POWER SUPPLY PCB ASSY FOR ARL/NZ	1	
3	LG4023001	1	LOW VOLTAGE POWER SUPPLY PCB ASSY FOR ASA	1	
4	LJ5831001	1	HIGH-VOLTAGE POWER SUPPLY PCB ASSY(SP)	1	
5	LG3256001	1	ENGINE PCB ASSY		
6	087320616	4	TAPTITE, CUP S M3X6, MFC9760		
6	087320616	5	TAPTITE, CUP S M3X6, MFC9860/9880		
7	084320815	1	SCREW, FLAT S M3X8		
8	0A5350606	1	SCREW, PAN (S/P WASHER) M3.5X6		
9	085411215	4	SCREW, BIND B TITE 4X12		
10	LG3623001	1	BATTERY, MFC9860/9880		
11	LG3624001	1	BATTERY HARNESS, MFC9860/9880		



LIST11(Accessories)

REF No.	CODE	Q'TY	DESCRIPTION	RECOMMEND	REMARK
1	LG2358001	1	AC CORD ASSY, MFC9880 FOR GER/FRA/NOR/BEL/NLD/AUS/SPA/ITA/SWE/GNR (VDE)	1	
1	LG2085001	1	AC CORD ASSY, MFC9860 FOR GER (VDE)	1	
1	LG2359001	1	AC CORD ASSY FOR UK/IRE (BS)	1	
1	LG2360001	1	AC CORD ASSY FOR CHE (SEV)	1	
1	LG2361001	1	AC CORD ASSY FOR DEN (DEMCO)	1	
1	LG2162001	1	AC CORD ASSY FOR ARL/NZ (SAA)	1	
1	LG2085001	1	AC CORD ASSY FOR ASA (VDE)	1	
1	LG2086001	1	AC CORD ASSY FOR ASA (BS)	1	
2	UG4558001	1	I/F CABLE, MFC9880 FOR GER/UK/IRE/AUS/GNR/ ARL/NZ/ASA		
3	LE7428001	1	CD-ROM ASSY, MFC9760 FOR GER/UK/FRA/CHE		
3	<del>LE7963001</del>	<del>4</del>	<del>CD-ROM ASSY, MFC9760 FOR BEL/NLD/GNR</del>		<deleted>
3	LE8017001	1	CD-ROM ASSY, MFC9760 FOR DEN/GNR		
3	LE8023001	1	CD-ROM ASSY, MFC9760 FOR BEL/NLD/ITA		
3	<del>LE7444001</del>	<del>4</del>	<del>CD-ROM ASSY, MFC9860</del>		<deleted>
3	LE7451001	1	CD-ROM ASSY, MFC9880 FOR GER/UK/FRA/CHE/IRE/AUS		
3	LE7975001	1	CD-ROM ASSY, MFC9880 FOR NOR/DEN/SWE		
3	LE7966001	1	CD-ROM ASSY, MFC9880 FOR BEL/NLD/GNR		
3	LE7972001	1	CD-ROM ASSY, MFC9880 FOR SPA/ITA		
3	LE7887001	1	CD-ROM ASSY, MFC9880 FOR ARL/NZ/ASA		
4	UG3625001	1	TELEPHONE LINE CORD, MFC9860/9880 FOR GER		
4	UG3626001	1	TELEPHONE LINE CORD, MFC9880 FOR UK		
4	UG3627001	1	TELEPHONE LINE CORD, MFC9880 FOR FRA		
4	UG3629001	1	TELEPHONE LINE CORD, MFC9880 FOR NOR		
4	UG1575001	1	TELEPHONE LINE CORD, MFC9880 FOR BEL		
4	LG3077001	1	TELEPHONE LINE CORD, MFC9880 FOR NLD/IRE/SPA/GNR		
4	UG3469000	1	TELEPHONE LINE CORD, MFC9880 FOR CHE		
4	UG3633001	1	TELEPHONE LINE CORD, MFC9880 FOR DEN		
4	UG4205001	1	TELEPHONE LINE CORD, MFC9880 FOR AUS		
4	UG3634001	1	TELEPHONE LINE CORD, MFC9880 FOR ITA		
4	UG3635001	1	TELEPHONE LINE CORD, MFC9880 FOR SWE		
4	LG3077001	1	TELEPHONE LINE CORD, MFC9880 FOR ARL/ASA		
4	UG3290001	1	TELEPHONE LINE CORD, MFC9880 FOR NZ		
(5)	LE7699001	1	FERRITE CORE BAG ASSY USB, MFC9880 FOR GER/UK/IRE/AUS/GNR/ ARL/NZ/ASA		
(5)	LE3602001	1	FERRITE CORE BAG ASSY FOR FRA/NOR/BEL/NLD/CHE/DEN/SPA/ITA/SWE		
(6)	LG3622001	1	TELEPHONE PLUG, MFC9880 FOR NLD		
(6)	UG3468000	1	TELEPHONE PLUG(BT-MJ), MFC9880 FOR ASA		
(6)	LG3509001	1	TELEPHONE PLUG, MFC9880 FOR ARL		

## LIST12(PRINTED MATERIAL)

REF No.	CODE	Q'TY	DESCRIPTION	RECOMMEND	REMARK
(1)	LE7431001	1	OWNER'S MANUAL ASSY, MFC9760 FOR GER (INCLUDING OWNER'S MANUAL, LICENSE AGREEMENT SHEET, PAN EURO WARRANTY LEAFLET)	1	
(1)	LE8098001	1	OWNER'S MANUAL ASSY, MFC9860 FOR GER (INCLUDING OWNER'S MANUAL, LICENSE AGREEMENT SHEET, PAN EURO WARRANTY LEAFLET)	1	
(1)	LE7455001	1	OWNER'S MANUAL ASSY, MFC9880 FOR GER (INCLUDING OWNER'S MANUAL, LICENSE AGREEMENT SHEET, PAN EURO WARRANTY LEAFLET)	1	
(1)	LE7435001	1	OWNER'S MANUAL ASSY, MFC9760 FOR UK (INCLUDING OWNER'S MANUAL, LICENSE AGREEMENT SHEET, PAN EURO WARRANTY LEAFLET, 2 WARRANTY CARDS)	1	
(1)	LE7459001	1	OWNER'S MANUAL ASSY, MFC9880 FOR UK (INCLUDING OWNER'S MANUAL, LICENSE AGREEMENT SHEET, PAN EURO WARRANTY LEAFLET, 2 WARRANTY CARDS)	1	
(1)	LE7439001	1	OWNER'S MANUAL ASSY, MFC9760 FOR FRA (INCLUDING OWNER'S MANUAL, LICENSE AGREEMENT SHEET, PAN EURO WARRANTY LEAFLET, WARRANTY CARD)	1	
(1)	LE7465001	1	OWNER'S MANUAL ASSY, MFC9880 FOR FRA (INCLUDING OWNER'S MANUAL, LICENSE AGREEMENT SHEET, PAN EURO WARRANTY LEAFLET, WARRANTY CARD)	1	
(1)	LE7978001	1	OWNER'S MANUAL ASSY, MFC9880 FOR NOR (INCLUDING OWNER'S MANUAL, LICENSE AGREEMENT SHEET, PAN EURO WARRANTY LEAFLET)	1	
(1)	LE8009001	1	OWNER'S MANUAL ASSY, MFC9760 FOR BEL (INCLUDING 2 OWNER'S MANUALS, LICENSE AGREEMENT SHEET, PAN EURO WARRANTY LEAFLET)	1	
(1)	LE7980001	1	OWNER'S MANUAL ASSY, MFC9880 FOR BEL (INCLUDING 2 OWNER'S MANUALS, LICENSE AGREEMENT SHEET, PAN EURO WARRANTY LEAFLET)	1	
(1)	LE8013001	1	OWNER'S MANUAL ASSY, MFC9760 FOR NLD (INCLUDING OWNER'S MANUAL, LICENSE AGREEMENT SHEET, PAN EURO WARRANTY LEAFLET)	1	
(1)	LE7984001	1	OWNER'S MANUAL ASSY, MFC9880 FOR NLD (INCLUDING OWNER'S MANUAL, LICENSE AGREEMENT SHEET, PAN EURO WARRANTY LEAFLET)	1	
(1)	LE8014001	1	OWNER'S MANUAL ASSY, MFC9760 FOR CHE (INCLUDING 2 OWNER'S MANUALS, LICENSE AGREEMENT SHEET, PAN EURO WARRANTY LEAFLET)	1	
(1)	LE7985001	1	OWNER'S MANUAL ASSY, MFC9880 FOR CHE (INCLUDING 2 OWNER'S MANUALS, LICENSE AGREEMENT SHEET, PAN EURO WARRANTY LEAFLET)	1	
(1)	LE7986001	1	OWNER'S MANUAL ASSY, MFC9880 FOR IRE (INCLUDING OWNER'S MANUAL, LICENSE AGREEMENT SHEET, PAN EURO WARRANTY LEAFLET)	1	
(1)	LE8020001	1	OWNER'S MANUAL ASSY, MFC9760 FOR DEN (INCLUDING OWNER'S MANUAL, LICENSE AGREEMENT SHEET, PAN EURO WARRANTY LEAFLET)	1	

## LIST12(PRINTED MATERIAL)

REF No.	CODE	Q'TY	DESCRIPTION	RECOMMEND	REMARK
(1)	LE7990001	1	OWNER'S MANUAL ASSY, MFC9880 FOR DEN (INCLUDING OWNER'S MANUAL, LICENSE AGREEMENT SHEET, PAN EURO WARRANTY LEAFLET)	1	
(1)	LE7995001	1	OWNER'S MANUAL ASSY, MFC9880 FOR SPA (INCLUDING OWNER'S MANUAL, LICENSE AGREEMENT SHEET, PAN EURO WARRANTY LEAFLET, WARRANTY CARD)	1	
(1)	LE8026001	1	OWNER'S MANUAL ASSY, MFC9760 FOR ITA (INCLUDING OWNER'S MANUAL, LICENSE AGREEMENT SHEET, PAN EURO WARRANTY LEAFLET)	1	
(1)	LE8001001	1	OWNER'S MANUAL ASSY, MFC9880 FOR ITA (INCLUDING OWNER'S MANUAL, LICENSE AGREEMENT SHEET, PAN EURO WARRANTY LEAFLET)	1	
(1)	LE8006001	1	OWNER'S MANUAL ASSY, MFC9880 FOR SWE (INCLUDING OWNER'S MANUAL, LICENSE AGREEMENT SHEET, PAN EURO WARRANTY LEAFLET, WARRANTY CARD)	1	
(1)	LE8028001	1	OWNER'S MANUAL ASSY, MFC9760 FOR GNR (INCLUDING OWNER'S MANUAL, LICENSE AGREEMENT SHEET, PAN EURO WARRANTY LEAFLET)	1	
(1)	LE8008001	1	OWNER'S MANUAL ASSY, MFC9880 FOR GNR (INCLUDING OWNER'S MANUAL, LICENSE AGREEMENT SHEET)	1	
(1)	LE7890001	1	OWNER'S MANUAL ASSY, MFC9880 FOR ARL (INCLUDING OWNER'S MANUAL, LICENSE AGREEMENT SHEET)	1	
(1)	LE7896001	1	OWNER'S MANUAL ASSY, MFC9880 FOR NZ (INCLUDING OWNER'S MANUAL, LICENSE AGREEMENT SHEET, WARRANTY CARD)	1	
(1)	LE7948001	1	OWNER'S MANUAL ASSY, MFC9880 FOR ASA (INCLUDING OWNER'S MANUAL, LICENSE AGREEMENT SHEET, REFERENCE GUIDE)	1	
(1-1)	LE7432003	1	OWNER'S MANUAL, MFC9760 FOR GER		
(1-1)	LE7448003	1	OWNER'S MANUAL, MFC9860 FOR GER		
(1-1)	LE7456003	1	OWNER'S MANUAL, MFC9880 FOR GER		
(1-1)	LE7436004	1	OWNER'S MANUAL, MFC9760 FOR UK/GER		
(1-1)	LE7460004	1	OWNER'S MANUAL, MFC9880 FOR UK/IRE/GNR		
(1-1)	LE7436005	1	OWNER'S MANUAL, MFC9760 FOR FRA		
(1-1)	LE7460005	1	OWNER'S MANUAL, MFC9880 FOR FRA		
(1-1)	LE7460007	1	OWNER'S MANUAL, MFC9880 FOR NOR		
(1-1)	LE7436008	1	OWNER'S MANUAL, MFC9760 FOR BEL/NLD <DUTCH>		
(1-1)	LE8010008	1	OWNER'S MANUAL, MFC9760 FOR BEL/CHE <FRENCH>		
(1-1)	LE7460008	1	OWNER'S MANUAL, MFC9880 FOR BEL/NLD <DUTCH>		
(1-1)	LE7981008	1	OWNER'S MANUAL, MFC9880 FOR BEL/CHE <FRENCH>		
(1-1)	LE7436010	1	OWNER'S MANUAL, MFC9760 FOR CHE		
(1-1)	LE7460010	1	OWNER'S MANUAL, MFC9880 FOR CHE <GERMAN>		
(1-1)	LE7436013	1	OWNER'S MANUAL, MFC9760 FOR DEN		
(1-1)	LE7460013	1	OWNER'S MANUAL, MFC9880 FOR DEN		
(1-1)	LE7460015	1	OWNER'S MANUAL, MFC9880 FOR SPA		
(1-1)	LE7436016	1	OWNER'S MANUAL, MFC9760 FOR ITA		
(1-1)	LE7460016	1	OWNER'S MANUAL, MFC9880 FOR ITA		
(1-1)	LE7460026	1	OWNER'S MANUAL, MFC9880 FOR SWE		
(1-1)	LE7891006	1	OWNER'S MANUAL, MFC9880 FOR ARL/NZ/ASA		

## LIST13(CARTON)

REF No.	CODE	Q'TY	DESCRIPTION	RECOMMEND	REMARK
(1)	LE7260001	1	CARTON, BROTHER, MFC9760	1	
(1)	LE7261001	1	CARTON, BROTHER, MFC9860	1	
(1)	LE7262001	1	CARTON, BROTHER, MFC9880	1	
(1)	LE8113001	1	CARTON, BROTHER, MFC9880 FOR ARL/NZ/ASA	1	
(2)	LE1232001	1	STYROFOAM ASSY		
(3)	UE1688001	1	BAG, 1000X1000H		
(4)	UE3122001	1	CARTON FOR MANUAL		
(5)	LE1481001	1	SCANNER LOCK SHEET(PROTECTION FOR ADF)		
(6)	LE7433001	1	START CARD, MFC9760 FOR GER		
(6)	LE7449001	1	START CARD, MFC9860		
(6)	LE7457001	1	START CARD, MFC9880 FOR GER/AUS		
(6)	LE7437001	1	START CARD, MFC9760 FOR UK/IRE		
(6)	LE7461001	1	START CARD, MFC9880 FOR UK		
(6)	LE7440001	1	START CARD, MFC9760 FOR FRA		
(6)	LE7466001	1	START CARD, MFC9880 FOR FRA		
(6)	LE7979001	1	START CARD, MFC9880 FOR NOR		
(6)	LE8012001	1	START CARD, MFC9760 FOR BEL/NLD <DUTCH>		
(6)	LE8011001	1	START CARD, MFC9760 FOR BEL/CHE <FRENCH>		
(6)	LE7982001	1	START CARD, MFC9880 FOR BEL/NLD <DUTCH>		
(6)	LE7983001	1	START CARD, MFC9880 FOR BEL/CHE <FRENCH>		
(6)	LE8015001	1	START CARD, MFC9760 FOR CHE <GERMAN>		
(6)	LE8029001	1	START CARD, MFC9880 FOR CHE <GERMAN>		
(6)	LE8021001	1	START CARD, MFC9760 FOR DEN		
(6)	LE7991001	1	START CARD, MFC9880 FOR DEN		
(6)	LE7996001	1	START CARD, MFC9880 FOR SPA		
(6)	LE8027001	1	START CARD, MFC9760 FOR ITA		
(6)	LE8002001	1	START CARD, MFC9880 FOR ITA		
(6)	LE8007001	1	START CARD, MFC9880 FOR SWE		
(6)	LE7635001	1	START CARD, MFC9760 FOR GNR		
(6)	LE7636001	1	START CARD, MFC9880 FOR GNR		
(6)	LE7893001	1	START CARD, MFC9880 FOR ARL/NZ/ASA		
(7)	LJ5557001	1	BAG 400X480 FOR DRUM/TONER		

**brother**®

8C5581  
PL-FAX020  
Ver. H