
2 Parts and diagrams

- [Order parts by authorized service providers](#)
- [How to use the parts lists and diagrams](#)
- [Covers and external components](#)
- [Internal assemblies](#)
- [Scanner and document feeder components](#)
- [Alphabetical parts list](#)
- [Numerical parts list](#)

Order parts by authorized service providers

Order replacement parts

Table 2-1 Order parts, accessories, and supplies

Order supplies and paper	www.hp.com/go/suresupply
Order genuine HP parts or accessories	www.hp.com/buy/parts
Order through service or support providers	Contact an HP-authorized service or support provider.

Related documentation

Table 2-2 Related documentation

Item	Description	Part number
<i>HP LaserJet Pro MFP M125, M126, M127, M128 User Guide</i>	Product user guide (English)	CZ172-90910
<i>HP LaserJet Pro MFP M125, M126, M127, M128 Repair Manual</i>	English repair manual (this manual)	CZ183-90905
<i>HP LaserJet Pro MFP M125, M126, M127, M128 Troubleshooting Manual</i>	English troubleshooting manual	CZ183-90907
<i>HP LaserJet Pro MFP M125, M126, M127, M128 Removal and Troubleshooting Manual</i>	Simplified Chinese removal and troubleshooting manual	CZ183-90906

Supplies part numbers

Table 2-3 Supplies part numbers

Item	Description	Part number
HP 83A Toner Cartridge	Replacement toner cartridge	CF283A
HP 88A Toner Cartridge	Replacement toner cartridge for China and India only	CC388A

Customer replaceable units (CRU) kit part numbers

Table 2-4 Customer replaceable units (CRU) kit part numbers


Item	Description	Part number
Kit, pickup roller	Pickup roller	CZ172-65001
	Instruction sheet	
Kit, separation pad	Separation pad	CZ172-65010
	Instruction sheet	
Kit, paper pickup tray	Paper pickup tray	CZ172-65011
	Instruction sheet	
Kit, short-media extender tool	Short-media extender tool	CZ172-65012
	Instruction sheet	
Kit, China handset	Handset	CZ185-65001
	Instruction sheet	


Whole-unit replacement part numbers

Table 2-5 Whole-unit replacement part numbers

Item	Description	Replacement part number	Exchange part number
M125a	110V Taiwan, Latin America (#BGJ)	CZ172-67901	CZ172-69001
	220V Asia Pacific Countries/ Regions, Europe (#BBU)	CZ172-67902	CZ172-69002
M125nw	220V Europe (#B19)	CZ173-67901	CZ173-69001
M125r	220V Russia (#ACB)	CZ176-67901	CZ176-69001
M126nw	220V China, Indonesia (#AB2)	CZ175-67901	CZ175-69001
M127fn	110V Taiwan, Latin America, North America (#BGJ)	CZ181-67901	CZ181-69001
	220V Asia Pacific Countries/ Regions, Latin America (#BBU)	CZ181-67903	CZ181-69003
	220V Europe (#B19)	CZ181-67904	CZ181-69004
M127fw	110V North America (#BGJ)	CZ183-67901	CZ183-69001
	220V Europe (#B19)	CZ183-67902	CZ183-69002
M128fn	220V China, Indonesia (#AB2)	CZ184-67901	CZ184-69001
M128fp	220V China, Indonesia (#AB2)	CZ185-67901	CZ185-69001
M128fw	220V China, Indonesia (#AB2)	CZ186-67901	CZ186-69001

How to use the parts lists and diagrams

 **CAUTION:** Be sure to order the correct part. When looking for part numbers for electrical components, pay careful attention to the voltage that is listed. Doing so will make sure that the part number selected is for the correct model.

 **NOTE:** In this manual, the abbreviation “PCA” stands for “printed circuit-board assembly.” Components described as a PCA might consist of a single circuit board or a circuit board plus other parts, such as cables and sensors.

The figures in this chapter show the major subassemblies in the product and their component parts. A parts list table follows each exploded view assembly diagram. Each table lists the item number, the associated part number, and the description of each part. If a part is not listed in the table, then it is not a replacement part.

Covers and external components

Figure 2-1 Covers and external components

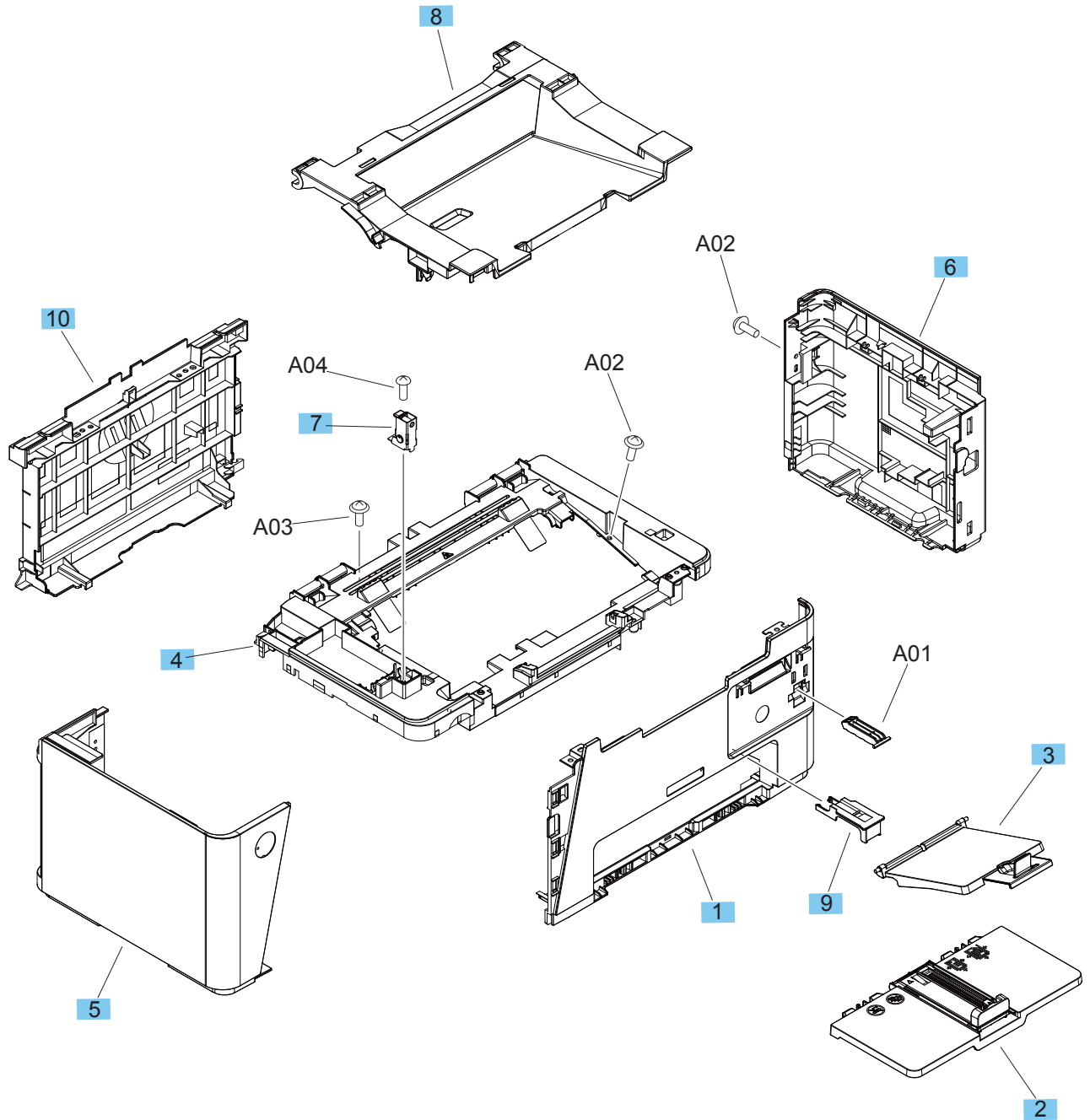


Table 2-6 Covers and external components

Ref	Description	Part number	Qty
1	Front cover assembly	RM2-5127-000CN	1
2	Paper pickup tray assembly	RM1-9958-000CN	1
3	Paper delivery tray assembly (output bin)	RM1-9905-000CN	1
4	Cover, top	RL1-3872-000CN	1
5	Cover, left	RL2-0395-000CN	1
6	Cover, right	RC3-5011-000CN	1
7	Image scanner lock assembly	RM1-9953-000CN	1
8	Door, cartridge	RC3-5015-000CN	1
9	Stopper, paper (short media extension)	RC3-4904-000CN	1
10	Cover, rear	RL1-3874-000CN	1
	Handset (not shown)	CZ185-60101	1
	Control panel, base models, no wireless (not shown)	CZ172-60110	1
	Control panel, base plus wireless models (not shown)	CZ183-60101	1
	Control panel, base model, no wireless, Russia (not shown)	CZ176-60101	1
	Control panel, fax models, no wireless (not shown)	CZ181-60117	1
	Control panel, fax plus wireless models (not shown)	CF484-60109	1
	Assembly link for base models (hinge to support the scanner) (not shown)	CE847-60110	1
	Assembly link for fax models (hinge to support the scanner) (not shown)	CE841-60119	1

Internal assemblies

Internal assemblies (1 of 3)

Figure 2-2 Internal assemblies (1 of 3)

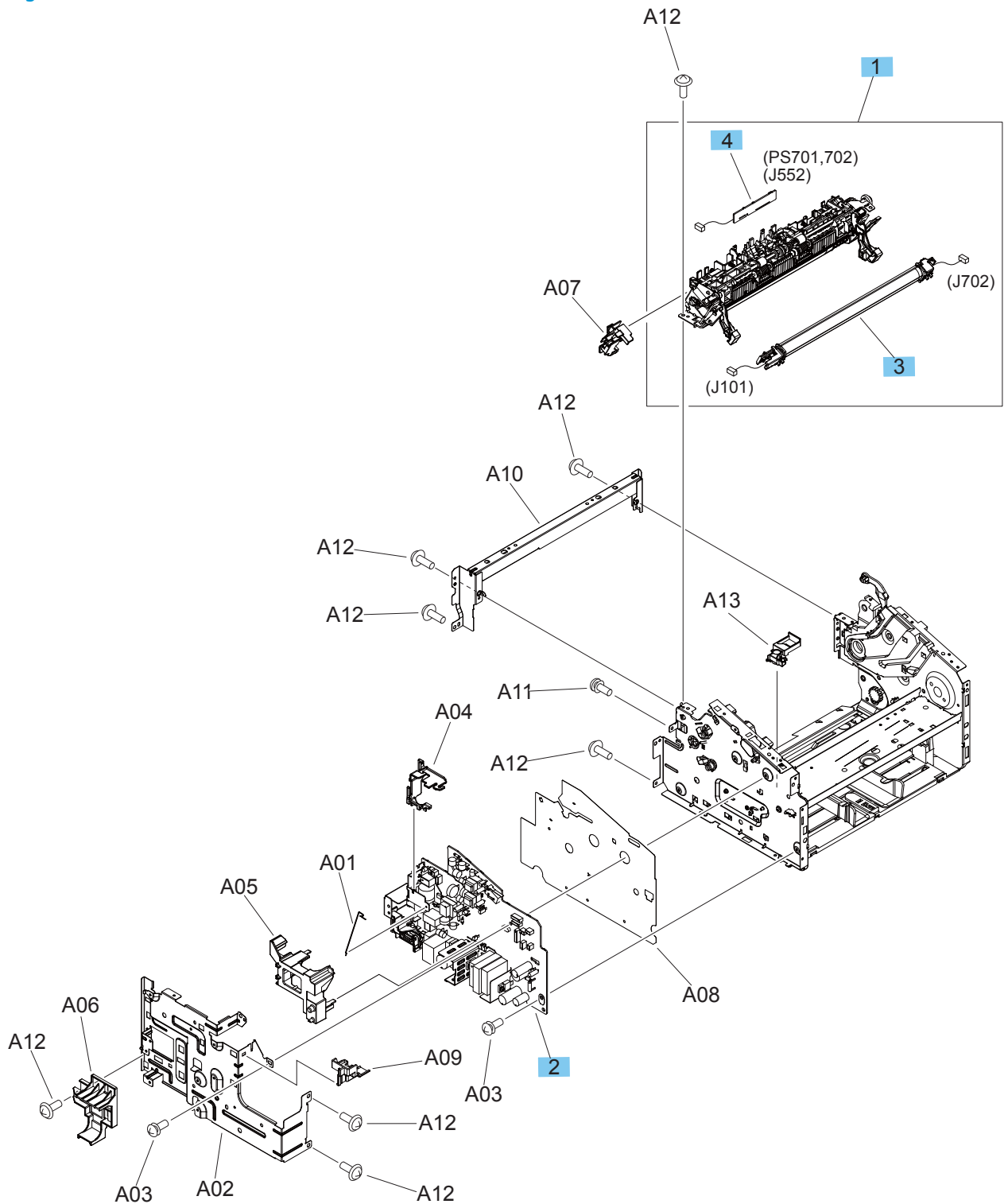


Table 2-7 Internal assemblies (1 of 3)

Ref	Description	Part number	Qty
1	Fuser paper delivery assembly (110 V)	RM2-5133-000CN	1
1	Fuser paper delivery assembly (220 V)	RM2-5134-000CN	1
2	Engine control PCA (110 V)	RM2-7381-000CN	1
2	Engine control PCA (220 V)	RM2-7382-000CN	1
2	Engine control PCA (220 V) for China/India	RM2-7378-000CN	1
3	Fuser film assembly (110 V)	RM1-9914-000CN	1
3	Fuser film assembly (220 V)	RM1-9915-000CN	1
4	Delivery sensor PCA assembly	RM2-7629-000CN	1
	WiFi board (wireless PCA) (not shown)	1150-7953	1
	Formatter PCA, base models, no wireless (not shown)	CZ172-60001	1
	Formatter PCA, base plus wireless models (not shown)	CZ173-60001	1
	Formatter PCA, fax models, no wireless (not shown)	CZ183-60001	1
	Formatter PCA, fax plus wireless models (not shown)	CZ181-60001	1
	Fax rubber cap (not shown)	CZ185-40001	1
	Fax module, Asia countries/regions and U.S. (not shown)	CF206-60001	1
	Fax module, Europe (not shown)	CF207-60001	1
	Fax module, Brazil (not shown)	CF208-60001	1

Internal assemblies (2 of 3)

Figure 2-3 Internal assemblies (2 of 3)

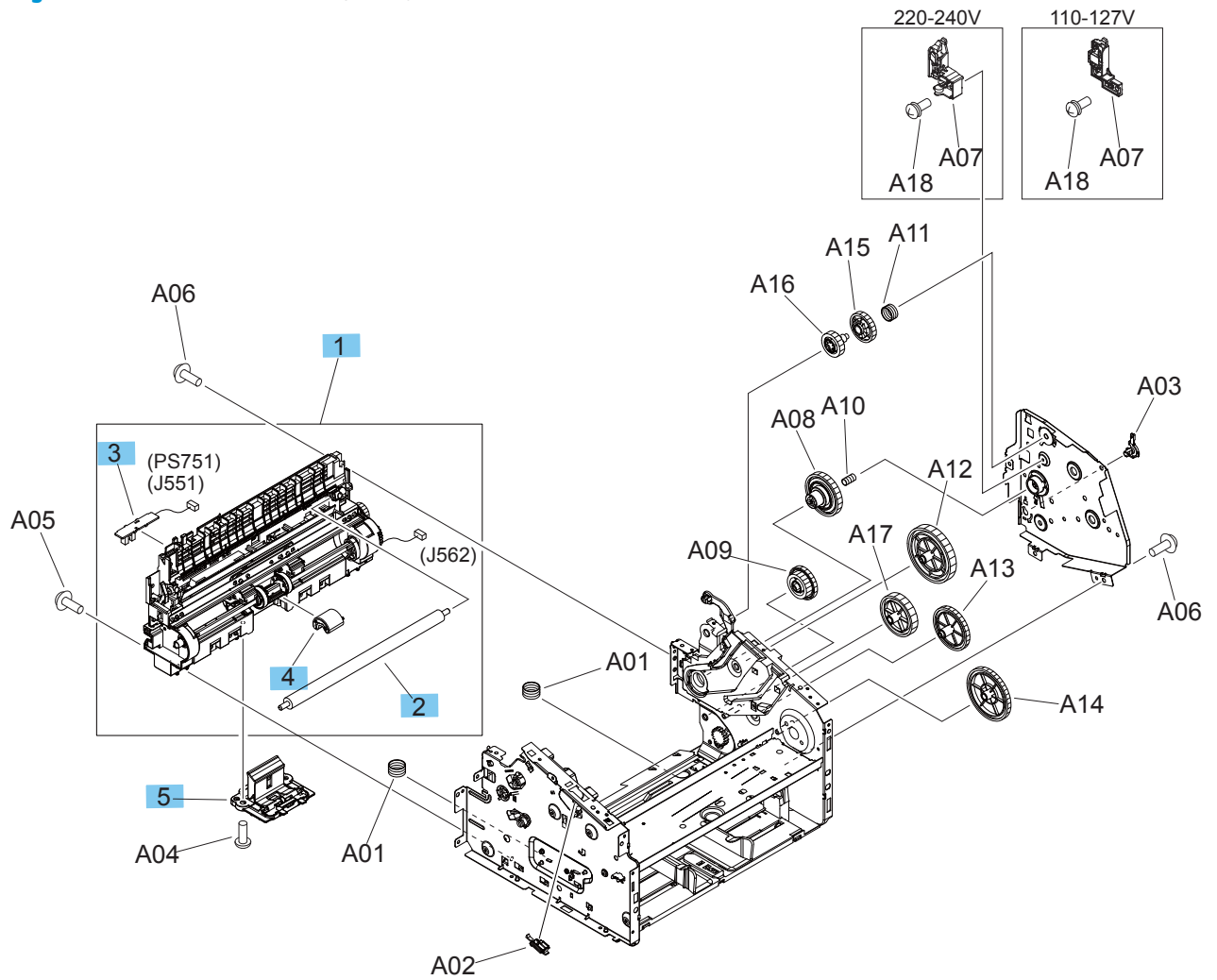


Table 2-8 Internal assemblies (2 of 3)

Ref	Description	Part number	Qty
1	Pickup transfer frame assembly	RM2-5135-000CN	1
2	Roller, transfer	RM1-4023-000CN	1
3	Paper pickup sensor PCA assembly	RM2-7384-000CN	1
4	Roller, paper pickup	RL1-2593-000CN	1
5	Separation pad assembly	RM2-5131-000CN	1

Internal assemblies (3 of 3)

Figure 2-4 Internal assemblies (3 of 3)

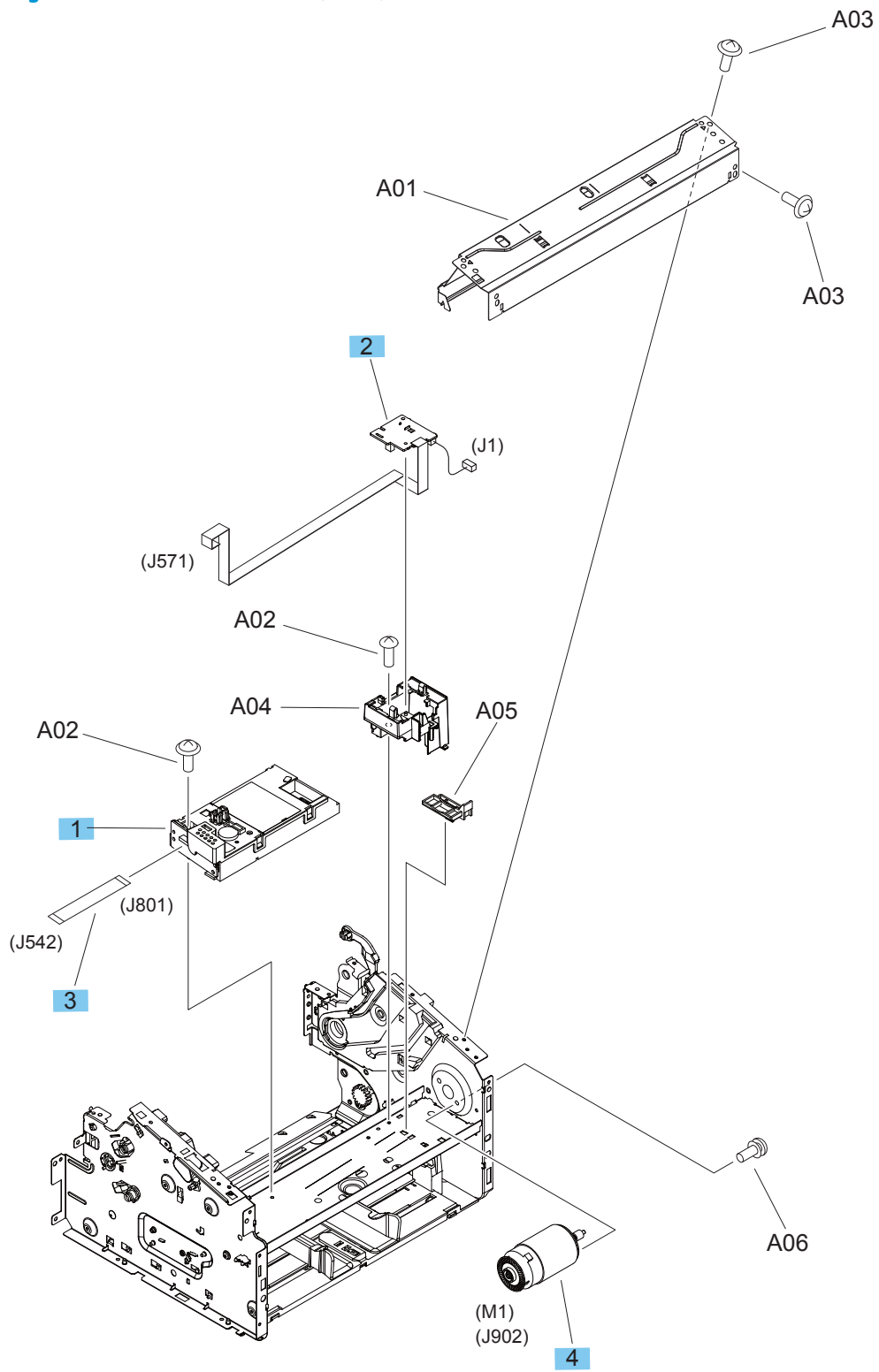


Table 2-9 Internal assemblies (3 of 3)

Ref	Description	Part number	Qty
1	Laser scanner assembly	RM2-5126-000CN	1
2	Motor PCA assembly	RM2-7385-000CN	1
3	Cable, flat (laser scanner)	RM2-7377-000CN	1
4	Motor, DC 24 V	RL2-0396-000CN	1

Scanner and document feeder components

Scanner lid, base models

Figure 2-5 Scanner lid, base models

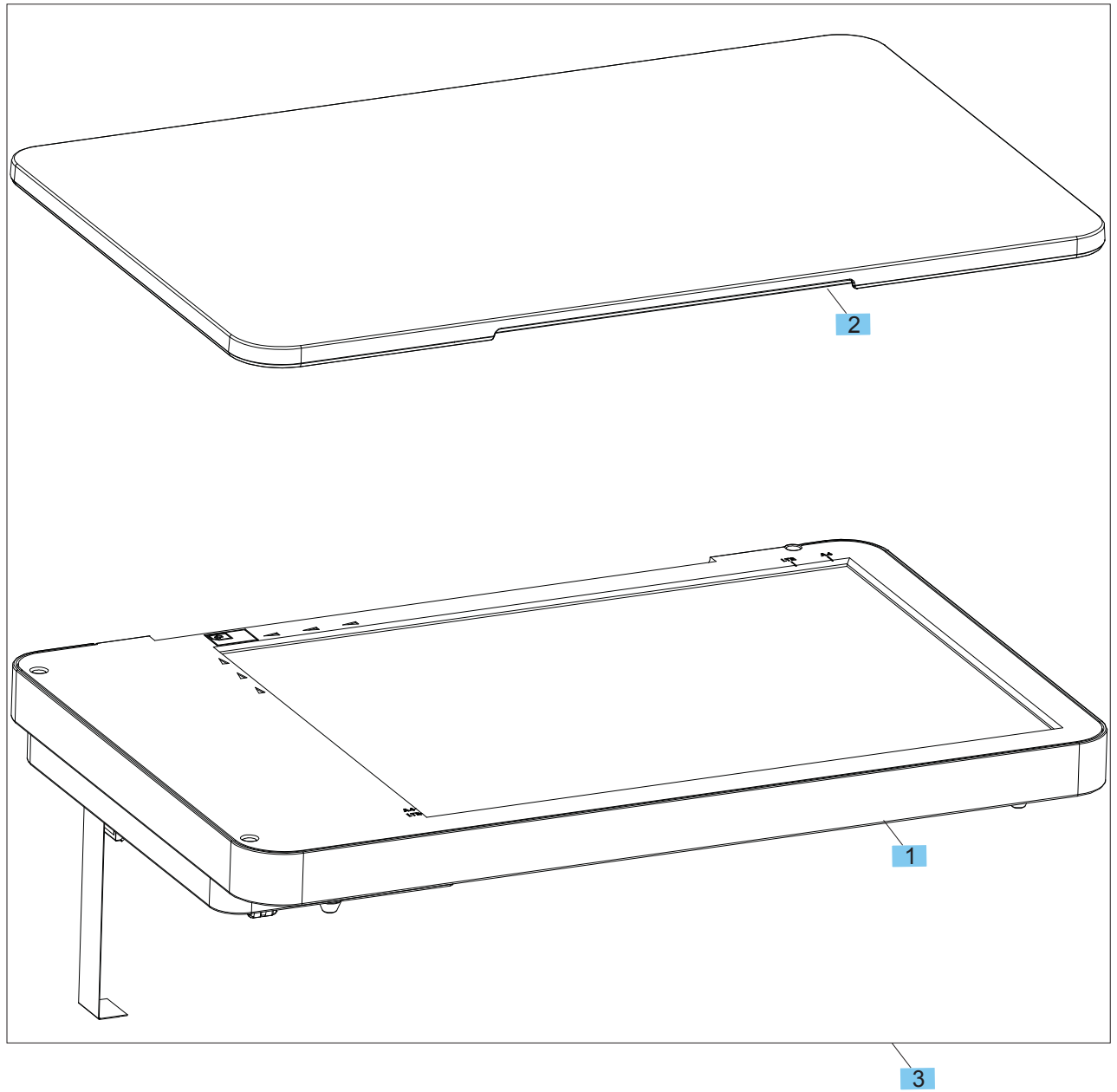


Table 2-10 Scanner lid, base models

Ref	Description	Part number	Qty
1	Scanner assembly (base models)	CZ172-60107	1
2	Scanner lid (base models)	CZ172-60102	1
3	Scanner lid assembly (base models)	CZ172-60101	1
	Scanner lid assembly, bulk pack (base models) (not shown)	CZ172-60106	1

Scanner assembly, base models

Figure 2-6 Scanner assembly, base models

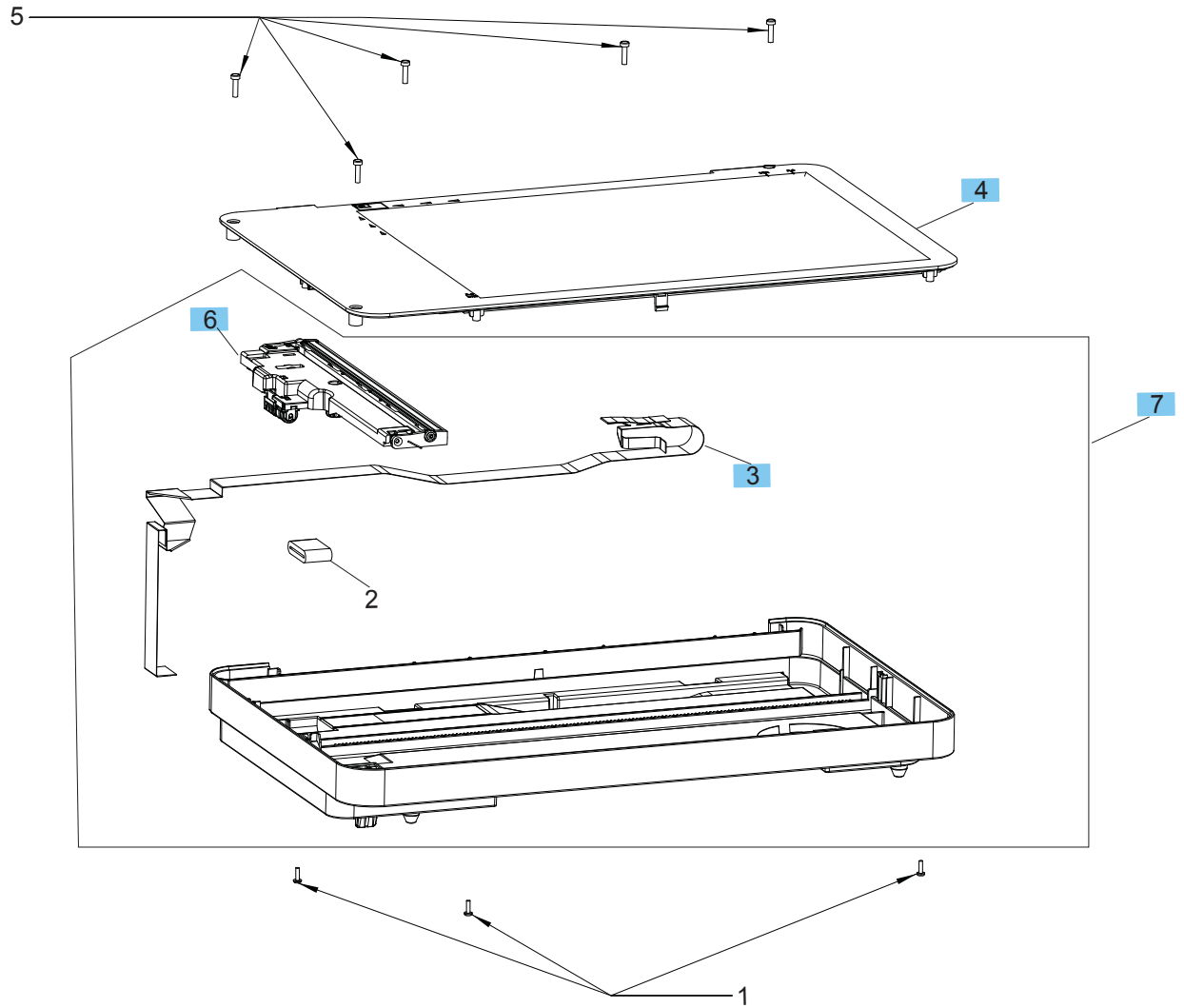



Table 2-11 Scanner assembly, base models

Ref	Description	Part number	Qty
3	SSA FFC Cable, 20 pin	CZ186-60104	1
4	Scan bezel assembly (base models)	CZ172-60103	1
6	Scan drive system assembly	CZ181-60104	1
7	Scanner base assembly (base models)	CZ172-60104	1

 **CAUTION:** Replace the internal scanner assemblies only in a dust-free environment.

Scan drive system, all models

Figure 2-7 Scan drive system, all models

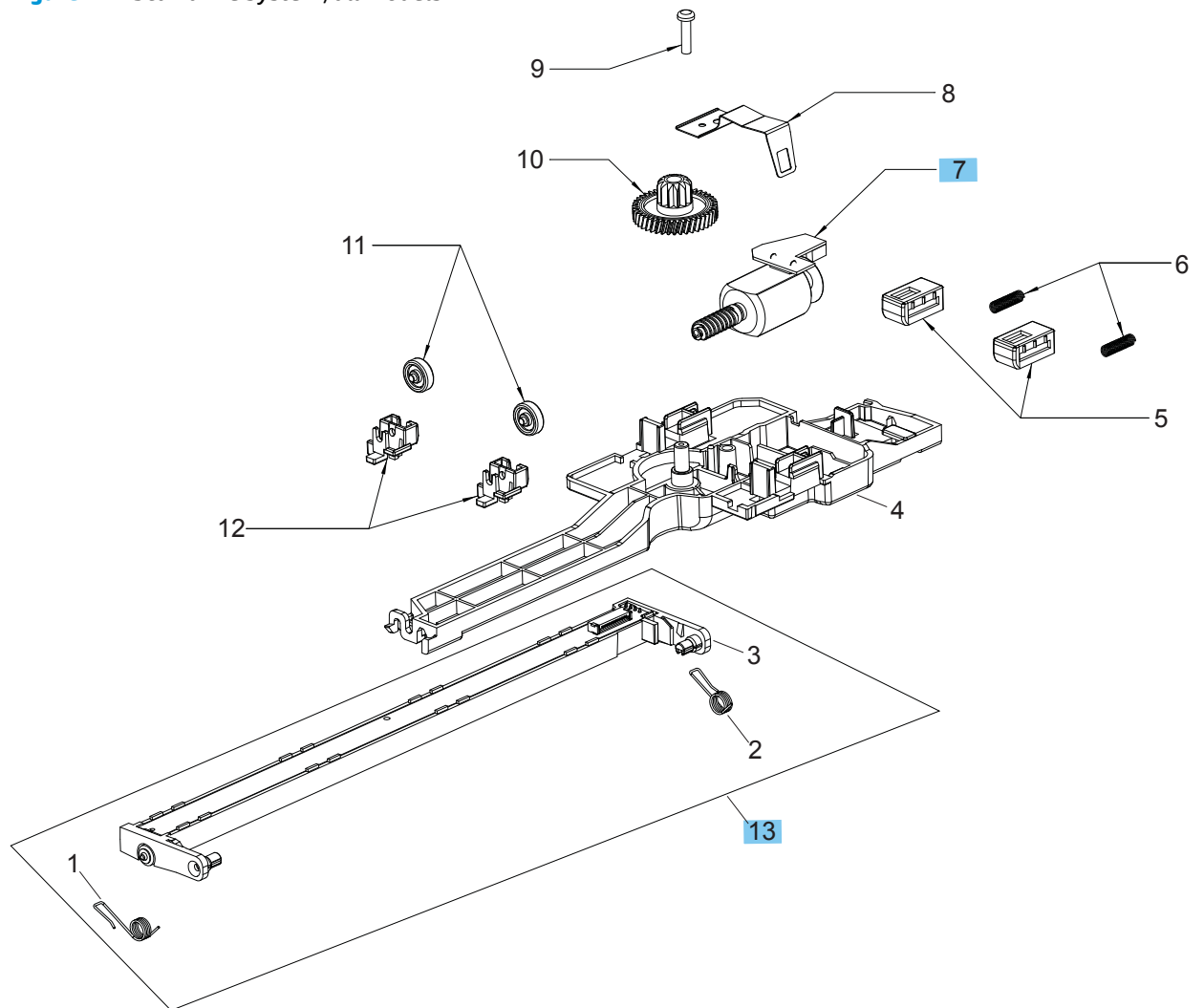



Table 2-12 Scan drive system, all models

Ref	Description	Part number	Qty
7	Scan motor encoder assembly	CN503-60006	1
13	Scanner with spring assembly	CZ181-60113	1

 **CAUTION:** Replace the internal scanner assemblies only in a dust-free environment.

Scanner and document feeder assembly, fax models

Figure 2-8 Scanner and document feeder assembly, fax models

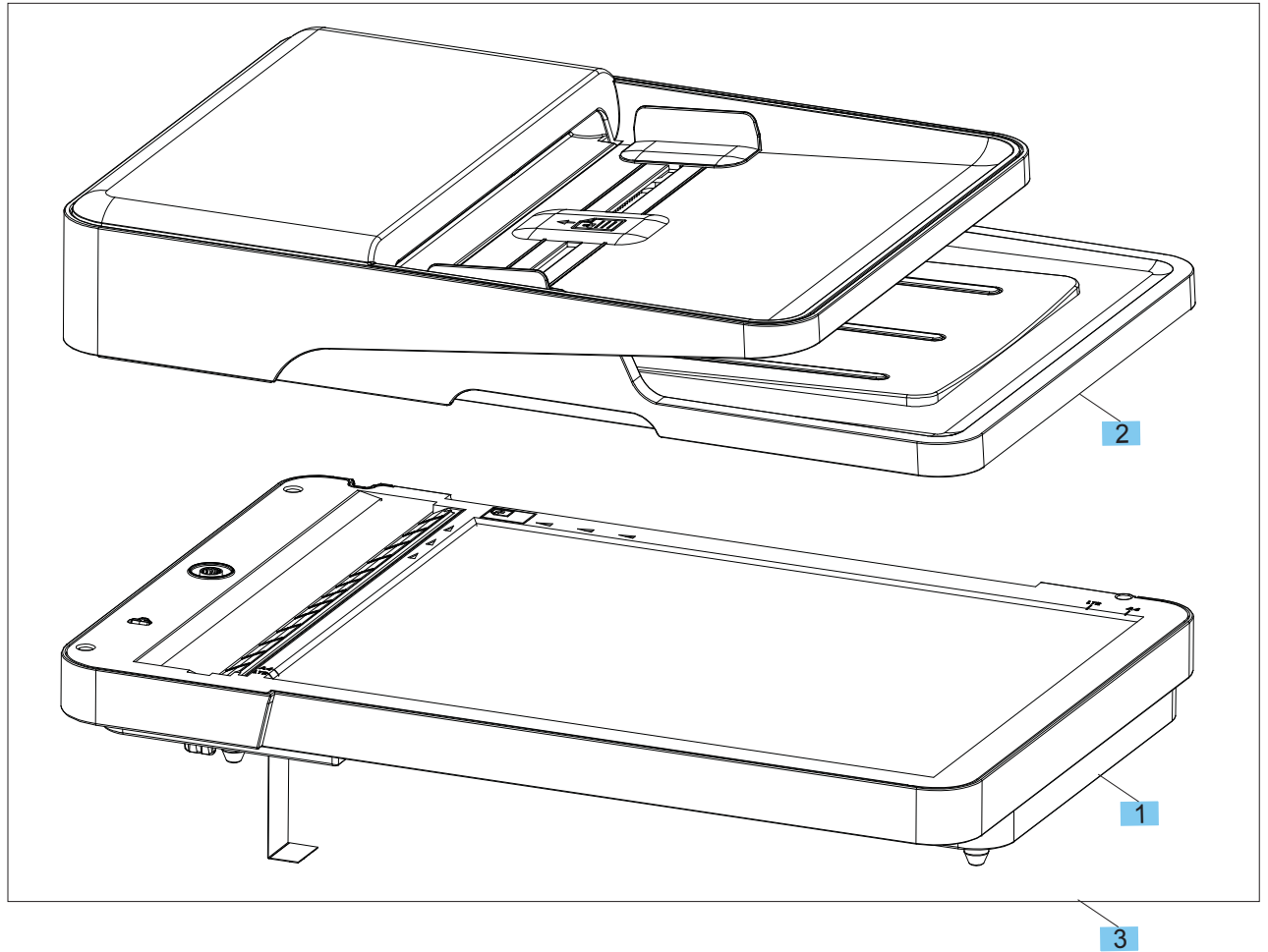


Table 2-13 Scanner and document feeder assembly, fax models

Ref	Description	Part number	Qty
1	Scanner assembly (fax models)	CZ181-60112	1
2	Document feeder assembly	CZ181-60110	1
3	Scanner and document feeder assembly	CZ181-60101	1
	Scanner and document feeder assembly, bulk pack (not shown)	CZ181-60111	1

Scanner assembly, fax models

Figure 2-9 Scanner assembly, fax models

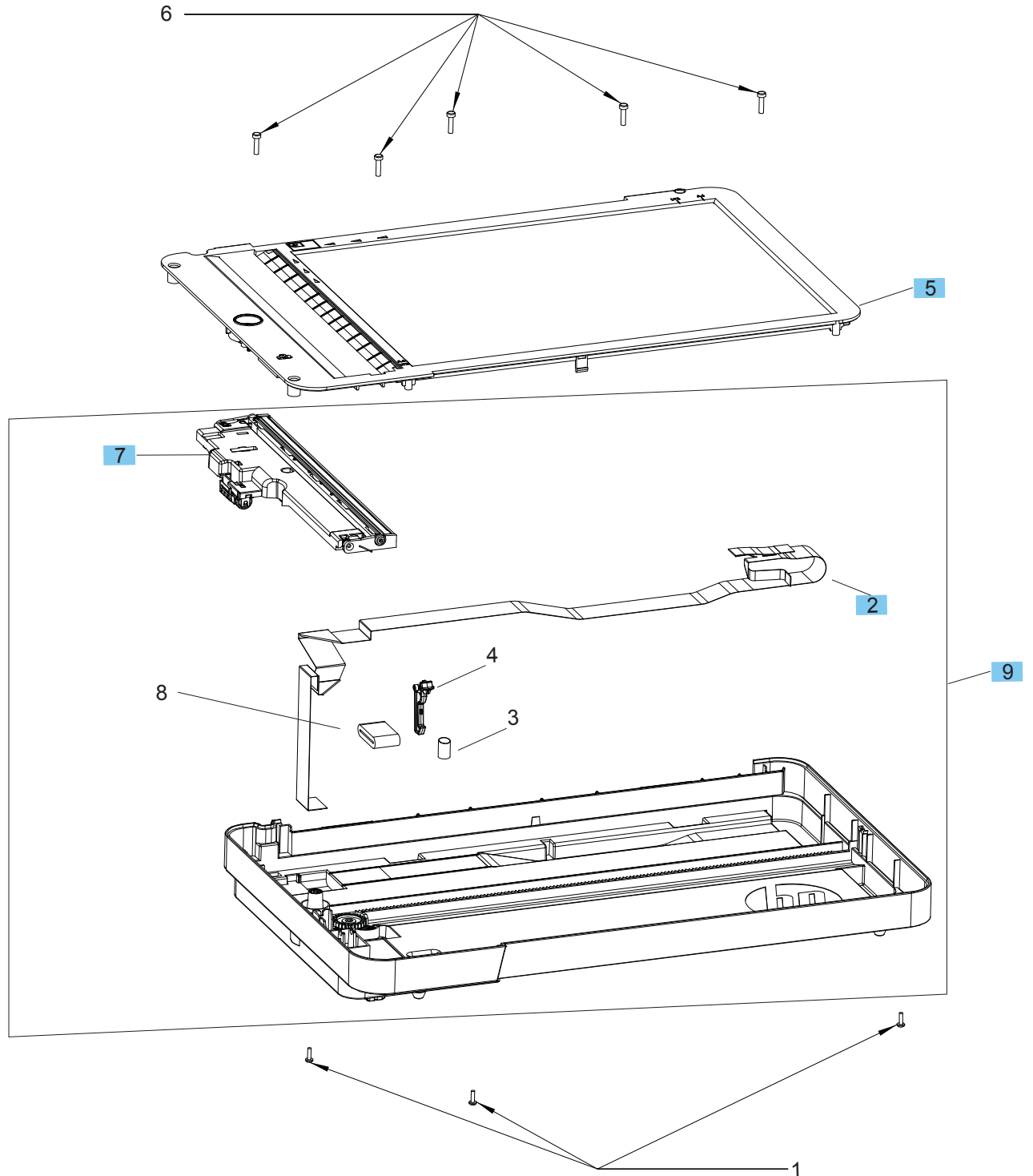



Table 2-14 Scanner assembly, fax models

Ref	Description	Part number	Qty
2	SSA FFC Cable, 20-pin	CZ186-60104	1
5	Scan bezel (fax models)	CZ181-60102	1
7	Scan drive system assembly	CZ181-60104	1
9	Scanner base assembly (fax models)	CZ181-60103	1

 **CAUTION:** Replace the internal scanner assemblies only in a dust-free environment.

Document feeder assembly, fax models

Figure 2-10 Document feeder assembly, fax models

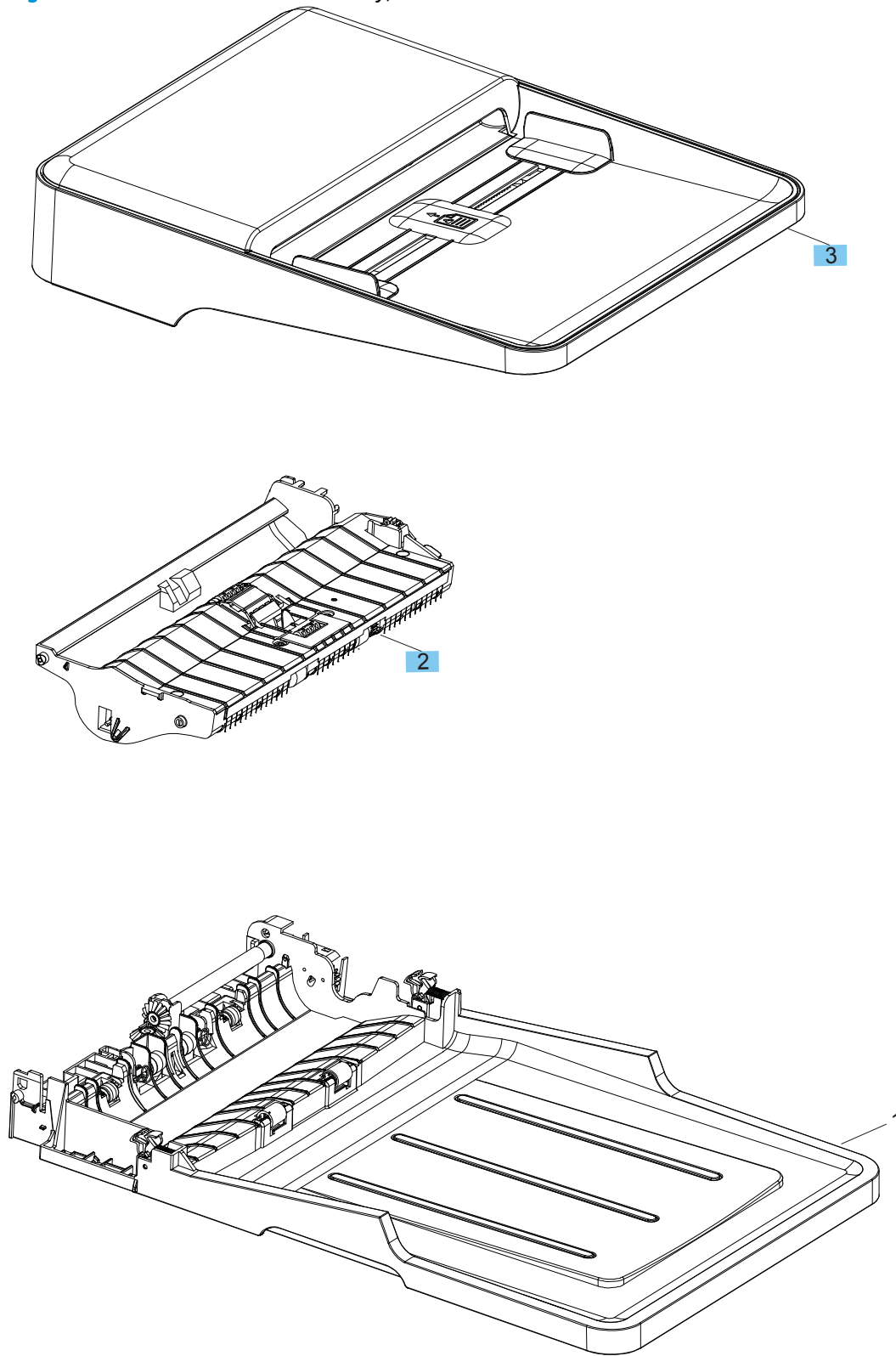


Table 2-15 Document feeder assembly, fax models

Ref	Description	Part number	Qty
2	ADF core assembly	CZ181-60107	1
3	ADF top cover assembly	CZ181-60105	1

Document feeder top cover, fax models

Figure 2-11 Document feeder top cover, fax models

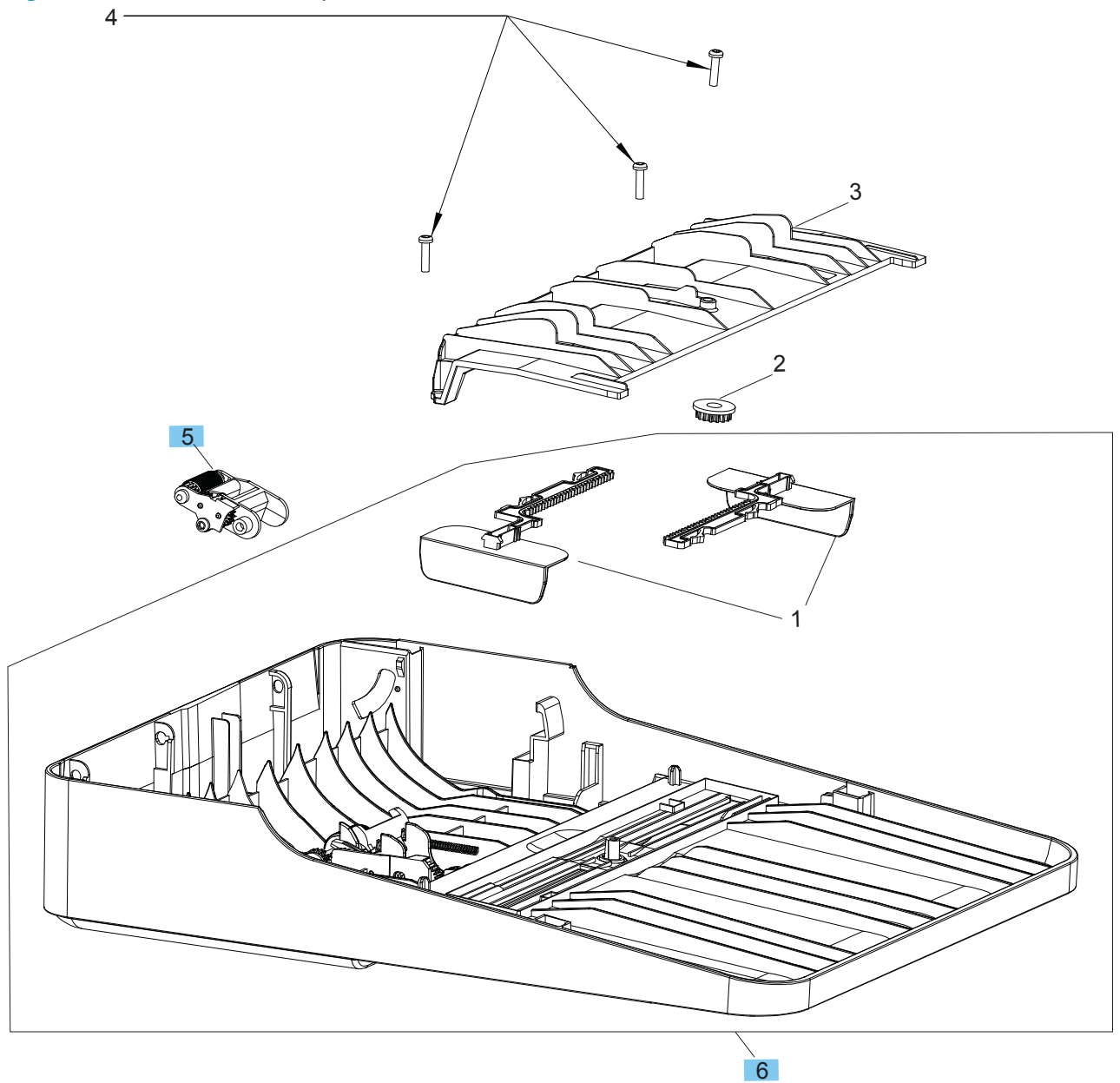


Table 2-16 Document feeder top cover, fax models

Ref	Description	Part number	Qty
5	Pre-pick arm assembly	CB780-60032	1
6	Top cover with guide assembly	CZ181-60122	1

Document feeder core, fax models

Figure 2-12 Document feeder core, fax models

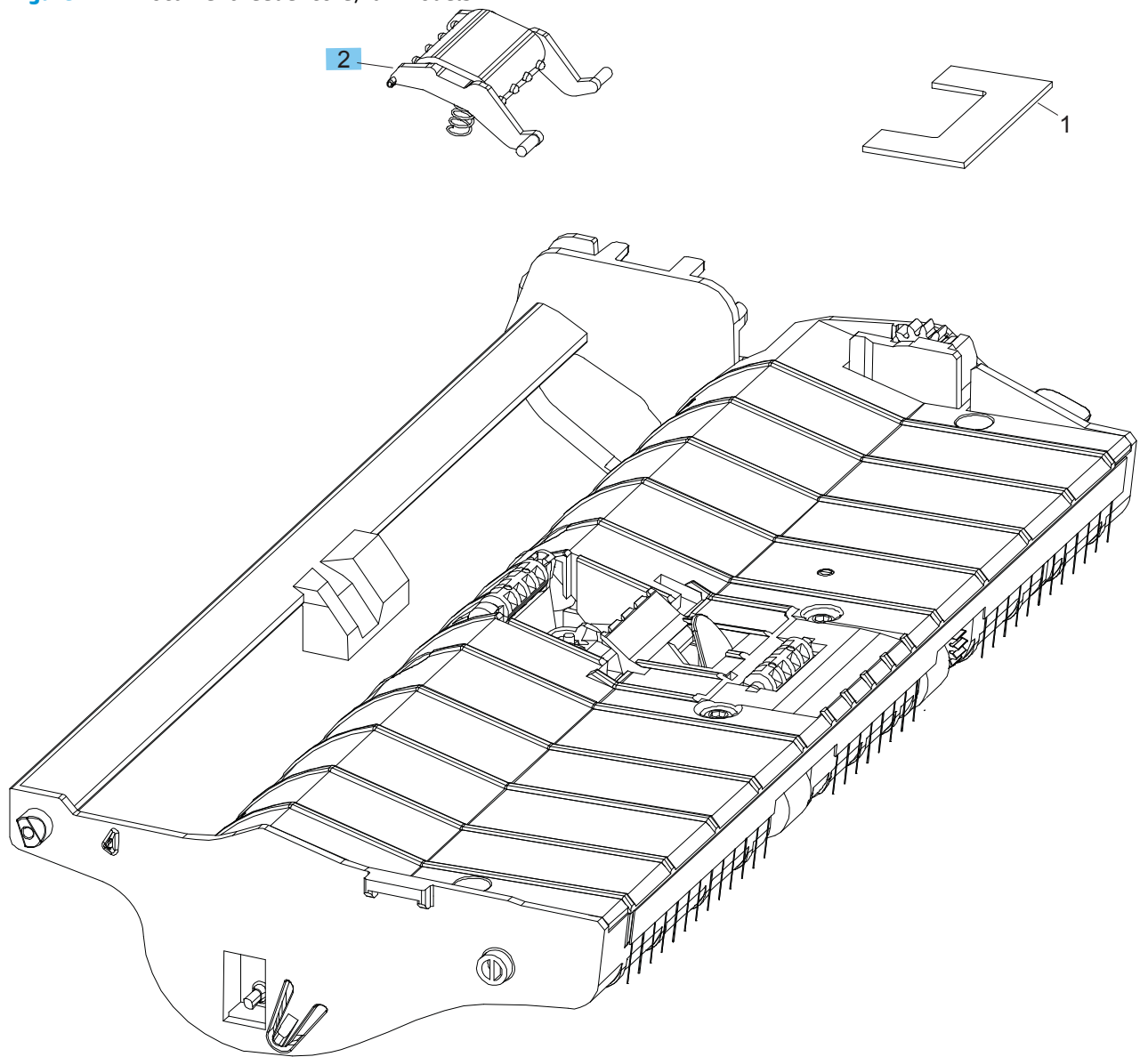


Table 2-17 Document feeder core, fax models

Ref	Description	Part number	Qty
2	Separator pad assembly (document feeder)	CB780-60009	1

Alphabetical parts list

Table 2-18 Alphabetical parts list

Description	Part number	Table and page
ADF core assembly	CZ181-60107	Document feeder assembly, fax models on page 115
ADF top cover assembly	CZ181-60105	Document feeder assembly, fax models on page 115
Assembly link for base models (hinge to support the scanner) (not shown)	CE847-60110	Covers and external components on page 97
Assembly link for fax models (hinge to support the scanner) (not shown)	CE841-60119	Covers and external components on page 97
Cable, flat (laser scanner)	RM2-7377-000CN	Internal assemblies (3 of 3) on page 103
Control panel, base model, no wireless, Russia (not shown)	CZ176-60101	Covers and external components on page 97
Control panel, base models, no wireless (not shown)	CZ172-60110	Covers and external components on page 97
Control panel, base plus wireless models (not shown)	CZ183-60101	Covers and external components on page 97
Control panel, fax models, no wireless (not shown)	CZ181-60117	Covers and external components on page 97
Control panel, fax plus wireless models (not shown)	CF484-60109	Covers and external components on page 97
Cover, left	RL2-0395-000CN	Covers and external components on page 97
Cover, rear	RL1-3874-000CN	Covers and external components on page 97
Cover, right	RC3-5011-000CN	Covers and external components on page 97
Cover, top	RL1-3872-000CN	Covers and external components on page 97
Delivery sensor PCA assembly	RM2-7629-000CN	Internal assemblies (1 of 3) on page 99
Document feeder assembly	CZ181-60110	Scanner and document feeder assembly, fax models on page 111
Door, cartridge	RC3-5015-000CN	Covers and external components on page 97
Engine control PCA (110 V)	RM2-7381-000CN	Internal assemblies (1 of 3) on page 99
Engine control PCA (220 V)	RM2-7382-000CN	Internal assemblies (1 of 3) on page 99
Engine control PCA (220 V) for China/India	RM2-7378-000CN	Internal assemblies (1 of 3) on page 99

Table 2-18 Alphabetical parts list (continued)

Description	Part number	Table and page
Fax module, Asia countries/regions and U.S. (not shown)	CF206-60001	Internal assemblies (1 of 3) on page 99
Fax module, Brazil (not shown)	CF208-60001	Internal assemblies (1 of 3) on page 99
Fax module, Europe (not shown)	CF207-60001	Internal assemblies (1 of 3) on page 99
Fax rubber cap (not shown)	CZ185-40001	Internal assemblies (1 of 3) on page 99
Formatter PCA, base models, no wireless (not shown)	CZ172-60001	Internal assemblies (1 of 3) on page 99
Formatter PCA, base plus wireless models (not shown)	CZ173-60001	Internal assemblies (1 of 3) on page 99
Formatter PCA, fax models, no wireless (not shown)	CZ183-60001	Internal assemblies (1 of 3) on page 99
Formatter PCA, fax plus wireless models (not shown)	CZ181-60001	Internal assemblies (1 of 3) on page 99
Front cover assembly	RM2-5127-000CN	Covers and external components on page 97
Fuser film assembly (110 V)	RM1-9914-000CN	Internal assemblies (1 of 3) on page 99
Fuser film assembly (220 V)	RM1-9915-000CN	Internal assemblies (1 of 3) on page 99
Fuser paper delivery assembly (110 V)	RM2-5133-000CN	Internal assemblies (1 of 3) on page 99
Fuser paper delivery assembly (220 V)	RM2-5134-000CN	Internal assemblies (1 of 3) on page 99
Handset (not shown)	CZ185-60101	Covers and external components on page 97
Image scanner lock assembly	RM1-9953-000CN	Covers and external components on page 97
Laser scanner assembly	RM2-5126-000CN	Internal assemblies (3 of 3) on page 103
Motor PCA assembly	RM2-7385-000CN	Internal assemblies (3 of 3) on page 103
Motor, DC 24 V	RL2-0396-000CN	Internal assemblies (3 of 3) on page 103
Paper delivery tray assembly (output bin)	RM1-9905-000CN	Covers and external components on page 97
Paper pickup sensor PCA assembly	RM2-7384-000CN	Internal assemblies (2 of 3) on page 101
Paper pickup tray assembly	RM1-9958-000CN	Covers and external components on page 97

Table 2-18 Alphabetical parts list (continued)

Description	Part number	Table and page
Pickup transfer frame assembly	RM2-5135-000CN	Internal assemblies (2 of 3) on page 101
Pre-pick arm assembly	CB780-60032	Document feeder top cover, fax models on page 117
Roller, paper pickup	RL1-2593-000CN	Internal assemblies (2 of 3) on page 101
Roller, transfer	RM1-4023-000CN	Internal assemblies (2 of 3) on page 101
Scan bezel (fax models)	CZ181-60102	Scanner assembly, fax models on page 113
Scan bezel assembly (base models)	CZ172-60103	Scanner assembly, base models on page 107
Scan drive system assembly	CZ181-60104	Scanner assembly, base models on page 107
Scan drive system assembly	CZ181-60104	Scanner assembly, fax models on page 113
Scan motor encoder assembly	CN503-60006	Scan drive system, all models on page 109
Scanner and document feeder assembly	CZ181-60101	Scanner and document feeder assembly, fax models on page 111
Scanner and document feeder assembly, bulk pack (not shown)	CZ181-60111	Scanner and document feeder assembly, fax models on page 111
Scanner assembly (base models)	CZ172-60107	Scanner lid, base models on page 105
Scanner assembly (fax models)	CZ181-60112	Scanner and document feeder assembly, fax models on page 111
Scanner base assembly (base models)	CZ172-60104	Scanner assembly, base models on page 107
Scanner base assembly (fax models)	CZ181-60103	Scanner assembly, fax models on page 113
Scanner lid (base models)	CZ172-60102	Scanner lid, base models on page 105
Scanner lid assembly (base models)	CZ172-60101	Scanner lid, base models on page 105
Scanner lid assembly, bulk pack (base models) (not shown)	CZ172-60106	Scanner lid, base models on page 105
Scanner with spring assembly	CZ181-60113	Scan drive system, all models on page 109
Separation pad assembly	RM2-5131-000CN	Internal assemblies (2 of 3) on page 101

Table 2-18 Alphabetical parts list (continued)

Description	Part number	Table and page
Separator pad assembly (document feeder)	CB780-60009	Document feeder core, fax models on page 119
SSA FFC Cable, 20 pin	CZ186-60104	Scanner assembly, base models on page 107
SSA FFC Cable, 20-pin	CZ186-60104	Scanner assembly, fax models on page 113
Stopper, paper (short media extension)	RC3-4904-000CN	Covers and external components on page 97
Top cover with guide assembly	CZ181-60122	Document feeder top cover, fax models on page 117
WiFi board (wireless PCA) (not shown)	1150-7953	Internal assemblies (1 of 3) on page 99

Numerical parts list

Table 2-19 Numerical parts list

Part number	Description	Table and page
1150-7953	WiFi board (wireless PCA) (not shown)	Internal assemblies (1 of 3) on page 99
CB780-60009	Separator pad assembly (document feeder)	Document feeder core, fax models on page 119
CB780-60032	Pre-pick arm assembly	Document feeder top cover, fax models on page 117
CE841-60119	Assembly link for fax models (hinge to support the scanner) (not shown)	Covers and external components on page 97
CE847-60110	Assembly link for base models (hinge to support the scanner) (not shown)	Covers and external components on page 97
CF206-60001	Fax module, Asia countries/regions and U.S. (not shown)	Internal assemblies (1 of 3) on page 99
CF207-60001	Fax module, Europe (not shown)	Internal assemblies (1 of 3) on page 99
CF208-60001	Fax module, Brazil (not shown)	Internal assemblies (1 of 3) on page 99
CF484-60109	Control panel, fax plus wireless models (not shown)	Covers and external components on page 97
CN503-60006	Scan motor encoder assembly	Scan drive system, all models on page 109
CZ172-60001	Formatter PCA, base models, no wireless (not shown)	Internal assemblies (1 of 3) on page 99
CZ172-60101	Scanner lid assembly (base models)	Scanner lid, base models on page 105
CZ172-60102	Scanner lid (base models)	Scanner lid, base models on page 105
CZ172-60103	Scan bezel assembly (base models)	Scanner assembly, base models on page 107
CZ172-60104	Scanner base assembly (base models)	Scanner assembly, base models on page 107
CZ172-60106	Scanner lid assembly, bulk pack (base models) (not shown)	Scanner lid, base models on page 105
CZ172-60107	Scanner assembly (base models)	Scanner lid, base models on page 105
CZ172-60110	Control panel, base models, no wireless (not shown)	Covers and external components on page 97
CZ173-60001	Formatter PCA, base plus wireless models (not shown)	Internal assemblies (1 of 3) on page 99
CZ176-60101	Control panel, base model, no wireless, Russia (not shown)	Covers and external components on page 97

Table 2-19 Numerical parts list (continued)

Part number	Description	Table and page
CZ181-60001	Formatter PCA, fax plus wireless models (not shown)	Internal assemblies (1 of 3) on page 99
CZ181-60101	Scanner and document feeder assembly	Scanner and document feeder assembly, fax models on page 111
CZ181-60102	Scan bezel (fax models)	Scanner assembly, fax models on page 113
CZ181-60103	Scanner base assembly (fax models)	Scanner assembly, fax models on page 113
CZ181-60104	Scan drive system assembly	Scanner assembly, base models on page 107
CZ181-60104	Scan drive system assembly	Scanner assembly, fax models on page 113
CZ181-60105	ADF top cover assembly	Document feeder assembly, fax models on page 115
CZ181-60107	ADF core assembly	Document feeder assembly, fax models on page 115
CZ181-60110	Document feeder assembly	Scanner and document feeder assembly, fax models on page 111
CZ181-60111	Scanner and document feeder assembly, bulk pack (not shown)	Scanner and document feeder assembly, fax models on page 111
CZ181-60112	Scanner assembly (fax models)	Scanner and document feeder assembly, fax models on page 111
CZ181-60113	Scanner with spring assembly	Scan drive system, all models on page 109
CZ181-60117	Control panel, fax models, no wireless (not shown)	Covers and external components on page 97
CZ181-60122	Top cover with guide assembly	Document feeder top cover, fax models on page 117
CZ183-60001	Formatter PCA, fax models, no wireless (not shown)	Internal assemblies (1 of 3) on page 99
CZ183-60101	Control panel, base plus wireless models (not shown)	Covers and external components on page 97
CZ185-40001	Fax rubber cap (not shown)	Internal assemblies (1 of 3) on page 99
CZ185-60101	Handset (not shown)	Covers and external components on page 97
CZ186-60104	SSA FFC Cable, 20 pin	Scanner assembly, base models on page 107
CZ186-60104	SSA FFC Cable, 20-pin	Scanner assembly, fax models on page 113

Table 2-19 Numerical parts list (continued)

Part number	Description	Table and page
RC3-4904-000CN	Stopper, paper (short media extension)	Covers and external components on page 97
RC3-5011-000CN	Cover, right	Covers and external components on page 97
RC3-5015-000CN	Door, cartridge	Covers and external components on page 97
RL1-2593-000CN	Roller, paper pickup	Internal assemblies (2 of 3) on page 101
RL1-3872-000CN	Cover, top	Covers and external components on page 97
RL1-3874-000CN	Cover, rear	Covers and external components on page 97
RL2-0395-000CN	Cover, left	Covers and external components on page 97
RL2-0396-000CN	Motor, DC 24 V	Internal assemblies (3 of 3) on page 103
RM1-4023-000CN	Roller, transfer	Internal assemblies (2 of 3) on page 101
RM1-9905-000CN	Paper delivery tray assembly (output bin)	Covers and external components on page 97
RM1-9914-000CN	Fuser film assembly (110 V)	Internal assemblies (1 of 3) on page 99
RM1-9915-000CN	Fuser film assembly (220 V)	Internal assemblies (1 of 3) on page 99
RM1-9953-000CN	Image scanner lock assembly	Covers and external components on page 97
RM1-9958-000CN	Paper pickup tray assembly	Covers and external components on page 97
RM2-5126-000CN	Laser scanner assembly	Internal assemblies (3 of 3) on page 103
RM2-5127-000CN	Front cover assembly	Covers and external components on page 97
RM2-5131-000CN	Separation pad assembly	Internal assemblies (2 of 3) on page 101
RM2-5133-000CN	Fuser paper delivery assembly (110 V)	Internal assemblies (1 of 3) on page 99
RM2-5134-000CN	Fuser paper delivery assembly (220 V)	Internal assemblies (1 of 3) on page 99
RM2-5135-000CN	Pickup transfer frame assembly	Internal assemblies (2 of 3) on page 101
RM2-7377-000CN	Cable, flat (laser scanner)	Internal assemblies (3 of 3) on page 103

Table 2-19 Numerical parts list (continued)

Part number	Description	Table and page
RM2-7378-000CN	Engine control PCA (220 V) for China/India	Internal assemblies (1 of 3) on page 99
RM2-7381-000CN	Engine control PCA (110 V)	Internal assemblies (1 of 3) on page 99
RM2-7382-000CN	Engine control PCA (220 V)	Internal assemblies (1 of 3) on page 99
RM2-7384-000CN	Paper pickup sensor PCA assembly	Internal assemblies (2 of 3) on page 101
RM2-7385-000CN	Motor PCA assembly	Internal assemblies (3 of 3) on page 103
RM2-7629-000CN	Delivery sensor PCA assembly	Internal assemblies (1 of 3) on page 99

