

A.4 EXPLODED DIAGRAM

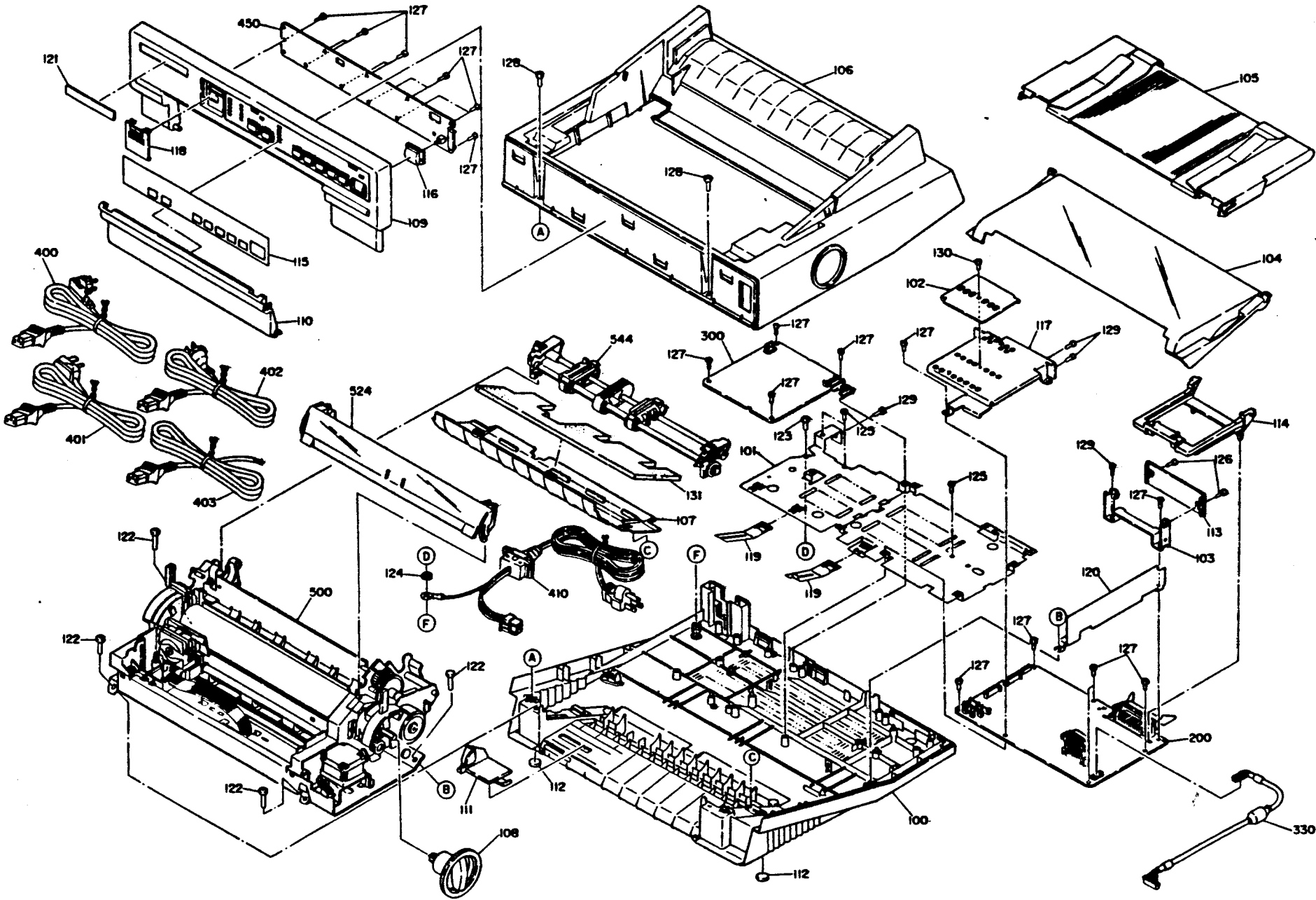
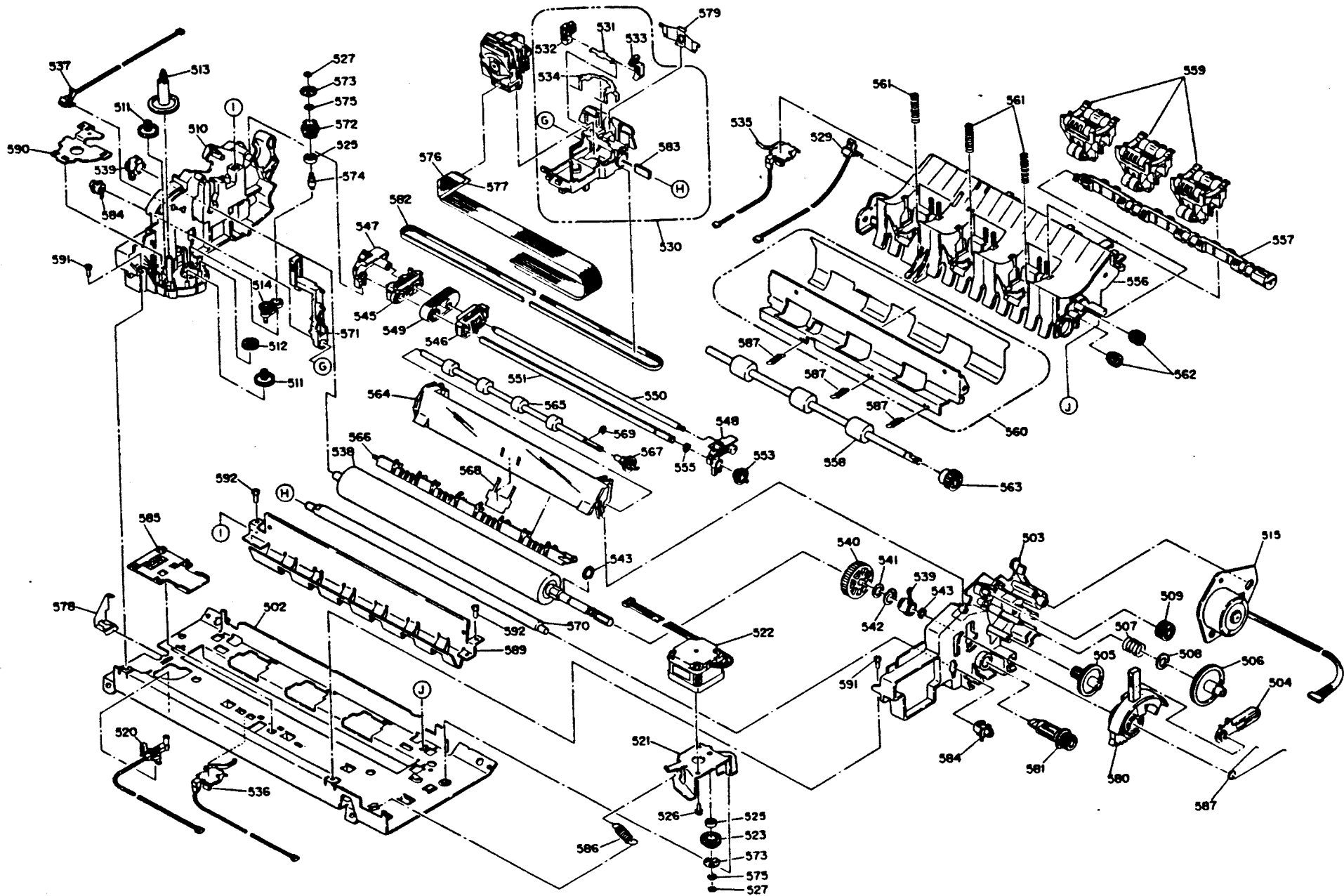


Diagram A.4.10.77. Exploded Diagram



- 537
- 513
- 511
- 510
- 590
- 539
- 584
- 591
- 514
- 512
- 511
- 527
- 573
- 575
- 572
- 525
- 574

- 579
- 531
- 533
- 532
- 534
- 583
- 576
- 577
- 530

- 561
- 561
- 559
- 557
- 556
- 562
- 563
- 558
- 587
- 587
- 587
- 560
- 548
- 567
- 555
- 553
- 565
- 569
- 567
- 564
- 551
- 550
- 549
- 546
- 545
- 571
- 547
- 582

- 566
- 538
- 568
- 543
- 540
- 541
- 539
- 543
- 542
- 503
- 515
- 509
- 507
- 505
- 508
- 506
- 504
- 592
- 585
- 592
- 570
- 589
- 522
- 591
- 584
- 581
- 580
- 587
- 520
- 536
- 521
- 526
- 525
- 523
- 573
- 575
- 527

Part Code	Part Name	Ref No.	Category	Qty
<a href="#">1005431</a>	HOUSING ASSY., LOWER	100	Case	1
<a href="#">1005056</a>	SHIELD PLATE,BOTTOM	101	Case	1
<a href="#">1005383</a>	HOLDING PLATE,FFC	102	Case	1
<a href="#">1005382</a>	GROUNDING PLATE,I/F	103	Case	1
<a href="#">1005433</a>	COVER ASSY., PRINTER, FRONT	104	Case	1
<a href="#">1005432</a>	FRAME ASSY., SHEET GUIDE	105	Case	1
<a href="#">1005430</a>	HOUSING ASSY., UPPER	106	Case	1
<a href="#">1005051</a>	PAPER GUIDE, FRONT	107	Case	1
<a href="#">1005060</a>	KNOB	108	Case	1
<a href="#">1005053</a>	HOUSING, FRONT	109	Case	1
<a href="#">1005054</a>	COVER, FRONT	110	Case	1
<a href="#">1005059</a>	EDGE GUIDE, FRONT	111	Case	1
<a href="#">1074370</a>	RUBBER FOOT(F353651040)	112	Case	2
<a href="#">1002045</a>	COVER,CONNECTOR,UPPER	113	Case	1
<a href="#">1006374</a>	GUIDE,I/F BOARD	114	Case	1
<a href="#">1004782</a>	SHEET, PANEL	115	Case	1
<a href="#">1004804</a>	KEY TOP, POWER SWITCH	116	Case	1
<a href="#">1004780</a>	SHELD PLATE, MAIN BOARD	117	Case	1
<a href="#">1005057</a>	COVER, DIP SWITCH	118	Case	1
<a href="#">1005063</a>	GROUNDING PLATE	119	Case	2
<a href="#">1005078</a>	SHIELD PLATE,RIGHT	120	Case	2
<a href="#">1013186</a>	LOGO PLATE;D	121	Case	1
<a href="#">1005086</a>	C.B.B-TITE C.SCREW	122	Case	4
<a href="#">1073114</a>	C.B.(O) SCREW 4X8 F/ZG(B045800115)	123	Case	1
<a href="#">1076213</a>	HEXAGON NUT(B070200411)	124	Case	1
<a href="#">1073306</a>	C.B.B(C). SCREW(B318300211)	125	Case	3
<a href="#">1002674</a>	C.B.S-TITE SCREW	126	Case	2
<a href="#">1073311</a>	C.B.B(P). SCREW(B318304511)	127	Case	21
<a href="#">1073312</a>	C.B.B(P). SCREW(B318306811)	128	Case	2
<a href="#">1005520</a>	C.B.A-LAMITITE	129	Case	5
<a href="#">1004635</a>	C.B.SCREW(B010303311)	130	Case	1
<a href="#">1005074</a>	SOUND ABSORBER	131	Case	1
<a href="#">2001939</a>	FERRITE CORE	132	Case	1
<a href="#">2002847</a>	BOARD ASSY., MAIN	200	Electronic Parts	1
<a href="#">2006383</a>	BOARD ASSY., MAIN	200	Electronic Parts	1
<a href="#">1004142</a>	C.P.B-TITE SCREW	201	Electronic Parts	2
<a href="#">2005574</a>	BOARD ASSY.,POWER SUPPLY	300	Electronic Parts	1
<a href="#">2005575</a>	BOARD ASSY., POWER SUPPLY	300	Electronic Parts	1
<a href="#">2003118</a>	FUSE	301	Electronic Parts	1
<a href="#">2052919</a>	FUSE(X502063040)	301	Electronic Parts	1
<a href="#">1073171</a>	C.B.S. SCREW(B300204311)	302	Electronic Parts	1
<a href="#">1073171</a>	C.B.S. SCREW(B300204311)	302	Electronic Parts	2
<a href="#">2002852</a>	BOARD ASSY., PANEL	450	Electronic Parts	1
<a href="#">2020641</a>	BOARD ASSY.,PANEL	450	Electronic Parts	1
<a href="#">2003901</a>	P-ROM TBK01	5E	Electronic Parts	1
<a href="#">2004076</a>	P-ROM TBK02	5E	Electronic Parts	1
<a href="#">2011303</a>	MASK ROM M51A00PC	5E	Electronic Parts	1
<a href="#">2051139</a>	IC TL431CLPB(-TZ)(X440034314)	1A	Electronic Parts	1
<a href="#">2050657</a>	MICROCONTROLLER,TMP90C041N(X400900410)	1C	Electronic Parts	1
<a href="#">2025445</a>	BOARD ASSY.,POWER SUPPLY	300	Electronic Parts	1
<a href="#">2003346</a>	MASK ROM M20A05LA	3E	Electronic Parts	1
<a href="#">2052886</a>	IC SOCKET(X630113230)	3E	Electronic Parts	1

<a href="#">2003354</a>	EEPROM	4C	Electronic Parts	1
<a href="#">2008382</a>	GATE ARRAY E05A50BC	4D	Electronic Parts	1
<a href="#">2050682</a>	TTL-IC(X420300070)	5D	Electronic Parts	1
<a href="#">2052883</a>	IC SOCKET(X630112830)	5E	Electronic Parts	1
<a href="#">2054390</a>	BEADS CORE(Y556204003)	B1	Electronic Parts	1
<a href="#">2003171</a>	BEADS CORE	B51	Electronic Parts	1
<a href="#">2003171</a>	BEADS CORE	B52	Electronic Parts	1
<a href="#">2052958</a>	BUZZER(X503000140)	BZ1	Electronic Parts	1
<a href="#">2051952</a>	FILM CAPACITOR(X236224020)	C1	Electronic Parts	1
<a href="#">2051953</a>	FILM CAPACITOR(X236474020)	C1	Electronic Parts	1
<a href="#">2054284</a>	CERAMIC CAPACITOR(X224161041)	C1-C5	Electronic Parts	5
<a href="#">2003140</a>	FILM CAPACITOR	C10	Electronic Parts	1
<a href="#">2003140</a>	FILM CAPACITOR	C10	Electronic Parts	1
<a href="#">2054284</a>	CERAMIC CAPACITOR(X224161041)	C10-C12	Electronic Parts	3
<a href="#">2003121</a>	CERAMIC CAPACITOR	C11	Electronic Parts	1
<a href="#">2003120</a>	CERAMIC CAPACITOR	C11,C12	Electronic Parts	2
<a href="#">2051321</a>	ALUMINIUM ELECTROLYTIC CAPACITOR(X200561019)	C13,C14	Electronic Parts	2
<a href="#">2054284</a>	CERAMIC CAPACITOR(X224161041)	C15,C16	Electronic Parts	2
<a href="#">2054279</a>	CERAMIC CAPACITOR(X220222210)	C17,C28	Electronic Parts	2
<a href="#">2054284</a>	CERAMIC CAPACITOR(X224161041)	C18	Electronic Parts	1
<a href="#">2002184</a>	CERAMIC CAPACITOR	C2,C3	Electronic Parts	2
<a href="#">2002184</a>	CERAMIC CAPACITOR	C2,C3	Electronic Parts	2
<a href="#">2051320</a>	ALUMINIUM ELECTROLYTIC CAPACITOR(X200561009)	C20,C27	Electronic Parts	2
<a href="#">2054279</a>	CERAMIC CAPACITOR(X220222210)	C21-C26	Electronic Parts	6
<a href="#">2054282</a>	CERAMIC CAPACITOR(X220224710)	C30	Electronic Parts	1
<a href="#">2002184</a>	CERAMIC CAPACITOR	C4,C5	Electronic Parts	2
<a href="#">2003111</a>	ALUMINUM ELECTROLYTIC CAPACITOR	C51,C52	Electronic Parts	2
<a href="#">2003111</a>	ALUMINUM ELECTROLYTIC CAPACITOR	C51,C52	Electronic Parts	2
<a href="#">2003110</a>	ALUMINUM ELECTROLYTIC CAPACITOR	C53	Electronic Parts	1
<a href="#">2003110</a>	ALUMINUM ELECTROLYTIC CAPACITOR	C53	Electronic Parts	1
<a href="#">2054383</a>	FILM CAPACITOR(X236104010)	C54	Electronic Parts	1
<a href="#">2054383</a>	FILM CAPACITOR(X236104010)	C54	Electronic Parts	1
<a href="#">2003109</a>	ALUMINUM ELECTROLYTIC CAPACITOR	C55	Electronic Parts	1
<a href="#">2003109</a>	ALUMINUM ELECTROLYTIC CAPACITOR	C55	Electronic Parts	1
<a href="#">2003142</a>	FILM CAPACITOR	C58	Electronic Parts	1
<a href="#">2003142</a>	FILM CAPACITOR	C58	Electronic Parts	1
<a href="#">2054385</a>	CERAMIC CAPACITOR(X220223310)	C59	Electronic Parts	1
<a href="#">2054385</a>	CERAMIC CAPACITOR(X220223310)	C59	Electronic Parts	1
<a href="#">2051950</a>	FILM CAPACITOR(X236104020)	C6	Electronic Parts	1
<a href="#">2054282</a>	CERAMIC CAPACITOR(X220224710)	C6,C9,C29	Electronic Parts	3
<a href="#">2015921</a>	ALUMINUM ELECTROLYTIC CAPACITOR	C7	Electronic Parts	1
<a href="#">2024934</a>	ALUMINUM ELECTROLYTIC CAPACITOR	C7	Electronic Parts	1
<a href="#">2051255</a>	ALUMINIUM ELECTROLYTIC CAPACITOR(X200262209)	C8	Electronic Parts	1
<a href="#">2051776</a>	CERAMIC CAPACITOR(X220604726)	C8	Electronic Parts	1
<a href="#">2003119</a>	CERAMIC CAPACITOR	C8,C56	Electronic Parts	2
<a href="#">2003198</a>	ALUMINUM ELECTROLYTIC CAPACITOR	C9	Electronic Parts	1
<a href="#">2003400</a>	ALUMINUM ELECTROLYTIC CAPACITOR	C9	Electronic Parts	1
<a href="#">2000295</a>	CONNECTOR	CN1	Electronic Parts	1
<a href="#">2000295</a>	CONNECTOR	CN1	Electronic Parts	1
<a href="#">2001155</a>	CONNECTOR	CN1	Electronic Parts	1
<a href="#">2052684</a>	CONNECTOR(X600183694)	CN1	Electronic Parts	1
<a href="#">2003152</a>	CONNECTOR	CN10	Electronic Parts	1
<a href="#">2003147</a>	CONNECTOR	CN11	Electronic Parts	1

<a href="#">2003150</a>	CONNECTOR	CN12	Electronic Parts	1
<a href="#">2003153</a>	CONNECTOR	CN13	Electronic Parts	1
<a href="#">2003165</a>	CONNECTOR	CN2	Electronic Parts	1
<a href="#">2003165</a>	CONNECTOR	CN2	Electronic Parts	1
<a href="#">2003128</a>	CONNECTOR	CN3	Electronic Parts	1
<a href="#">2003145</a>	CONNECTOR	CN4	Electronic Parts	1
<a href="#">2020083</a>	CONNECTOR(X602290600)	CN5	Electronic Parts	1
<a href="#">2052752</a>	CONNECTOR(X601421700)	CN6	Electronic Parts	1
<a href="#">2052748</a>	CONNECTOR(X601421500)	CN7	Electronic Parts	1
<a href="#">2003151</a>	CONNECTOR	CN8	Electronic Parts	1
<a href="#">2003148</a>	CONNECTOR	CN9	Electronic Parts	1
<a href="#">2052984</a>	CERAMIC OSCILLATOR(X504007909)	CR1	Electronic Parts	1
<a href="#">2003101</a>	DIODE	D1	Electronic Parts	1
<a href="#">2052443</a>	DIODE(X320011817)	D1	Electronic Parts	1
<a href="#">2052418</a>	DIODE(X320011449)	D2,D3	Electronic Parts	2
<a href="#">2052418</a>	DIODE(X320011449)	D2,D3	Electronic Parts	2
<a href="#">1005473</a>	HEAT SINK	D51	Electronic Parts	1
<a href="#">1005473</a>	HEAT SINK	D51	Electronic Parts	1
<a href="#">2050409</a>	RECTIFIER STACK(X340400900)	D51	Electronic Parts	1
<a href="#">2050409</a>	RECTIFIER STACK(X340400900)	D51	Electronic Parts	1
<a href="#">2003102</a>	DIODE	D52	Electronic Parts	1
<a href="#">2003102</a>	DIODE	D52	Electronic Parts	1
<a href="#">2003127</a>	SWITCHING DIODE	D53,D54	Electronic Parts	2
<a href="#">2003127</a>	SWITCHING DIODE	D53,D54	Electronic Parts	2
<a href="#">2052391</a>	DIODE(X320010990)	D55	Electronic Parts	1
<a href="#">2052391</a>	DIODE(X320010990)	D55	Electronic Parts	1
<a href="#">2050398</a>	DIODE BRIDGE(X340400321)	DB1	Electronic Parts	1
<a href="#">2050401</a>	DIODE(X340400350)	DB1	Electronic Parts	1
<a href="#">2052954</a>	FUSE HOLDER(X502100100)	F1	Electronic Parts	2
<a href="#">2052954</a>	FUSE HOLDER(X502100100)	F1	Electronic Parts	2
<a href="#">2001467</a>	VOLTAGE REGULATOR	IC1	Electronic Parts	1
<a href="#">2001467</a>	VOLTAGE REGULATOR	IC1	Electronic Parts	1
<a href="#">2003100</a>	CMOS IC	IC1	Electronic Parts	1
<a href="#">2003099</a>	DIGITAL IC	IC2,IC3	Electronic Parts	2
<a href="#">2051142</a>	LINEAR IC(X440034940)	IC51	Electronic Parts	1
<a href="#">2051142</a>	LINEAR IC(X440034940)	IC51	Electronic Parts	1
<a href="#">2052809</a>	JUMPER PIN(X600630320)	J3	Electronic Parts	1
<a href="#">2053095</a>	JUMPER CONNECTOR(X600642520)	J3	Electronic Parts	1
<a href="#">2003162</a>	COIL	L1	Electronic Parts	1
<a href="#">2054538</a>	COIL(X507262000)	L1	Electronic Parts	1
<a href="#">2051357</a>	COIL(Y451202012)	L2	Electronic Parts	1
<a href="#">2051471</a>	CHOKe COIL(Y565201004)	L51	Electronic Parts	1
<a href="#">2051471</a>	CHOKe COIL(Y565201004)	L51	Electronic Parts	1
<a href="#">2003126</a>	THERMISTOR	PC1	Electronic Parts	1
<a href="#">2007060</a>	PHOTO COUPLER	PC1,PC2	Electronic Parts	2
<a href="#">2052903</a>	CHECK TERMINAL(X640010130)	PPPULSE	Electronic Parts	1
<a href="#">1006141</a>	HEAT SINK	Q1	Electronic Parts	1
<a href="#">1006141</a>	HEAT SINK	Q1	Electronic Parts	1
<a href="#">2003139</a>	FET	Q1	Electronic Parts	1
<a href="#">2000623</a>	TRANSISTOR	Q2	Electronic Parts	1
<a href="#">2000623</a>	TRANSISTOR	Q2	Electronic Parts	1
<a href="#">2052033</a>	TRANSISTOR,2SA1680-TPE6(X300168009)	Q3,Q52	Electronic Parts	2
<a href="#">2052033</a>	TRANSISTOR,2SA1680-TPE6(X300168009)	Q3,Q52	Electronic Parts	2

<a href="#">2003137</a>	FET	Q51	Electronic Parts	1
<a href="#">2052031</a>	TRANSISTOR(X300146900)	Q51	Electronic Parts	1
<a href="#">2052324</a>	TRANSISTOR(X312212439)	Q53	Electronic Parts	1
<a href="#">2052324</a>	TRANSISTOR(X312212439)	Q53	Electronic Parts	1
<a href="#">2052322</a>	TRANSISTOR(X312212429)	Q54	Electronic Parts	1
<a href="#">2052322</a>	TRANSISTOR(X312212429)	Q54	Electronic Parts	1
<a href="#">2005627</a>	CARBON FILM RESISTOR	R1	Electronic Parts	1
<a href="#">2050562</a>	CARBON FILM RESISTOR(X154411612)	R1	Electronic Parts	1
<a href="#">2050601</a>	CARBON FILM RESISTOR(X154413042)	R1	Electronic Parts	1
<a href="#">2050605</a>	CARBON FILM RESISTOR(X154413322)	R1-R10	Electronic Parts	10
<a href="#">2050532</a>	CARBON FILM RESISTOR(X154411022)	R10,R12	Electronic Parts	2
<a href="#">2050781</a>	CARBON FILM RESISTOR(X154414722)	R10,R13	Electronic Parts	2
<a href="#">2050781</a>	CARBON FILM RESISTOR(X154414722)	R10,R13	Electronic Parts	2
<a href="#">2050799</a>	CARBON FILM RESISTOR(X154416802)	R11	Electronic Parts	1
<a href="#">2050589</a>	CARBON FILM RESISTOR(X154412422)	R12	Electronic Parts	1
<a href="#">2050589</a>	CARBON FILM RESISTOR(X154412422)	R12	Electronic Parts	1
<a href="#">2050780</a>	CARBON FILM RESISTOR(X154414712)	R12	Electronic Parts	1
<a href="#">2050778</a>	CARBON FILM RESISTOR(X154414702)	R13	Electronic Parts	1
<a href="#">2050107</a>	HIGH STABILIZED METAL FILM RESISTOR(X143192701)	R14	Electronic Parts	1
<a href="#">2050540</a>	CARBON FILM RESISTOR(X154411052)	R14	Electronic Parts	1
<a href="#">2050561</a>	CARBON FILM RESISTOR(X154411552)	R14,R18	Electronic Parts	2
<a href="#">2003095</a>	HIGH STABILIZED METAL FILM RESISTOR	R15	Electronic Parts	1
<a href="#">2050577</a>	CARBON FILM RESISTOR(X154412022)	R15	Electronic Parts	1
<a href="#">2050577</a>	CARBON FILM RESISTOR(X154412022)	R15	Electronic Parts	1
<a href="#">2050536</a>	CARBON FILM RESISTOR(X154411032)	R16-R27	Electronic Parts	12
<a href="#">2050526</a>	CARBON FILM RESISTOR(X154410102)	R19	Electronic Parts	1
<a href="#">2050526</a>	CARBON FILM RESISTOR(X154410102)	R19	Electronic Parts	1
<a href="#">2050944</a>	CEMENT RESISTOR(X161321003)	R2	Electronic Parts	1
<a href="#">2050569</a>	CARBON FILM RESISTOR(X154411812)	R2,R3,R4	Electronic Parts	1
<a href="#">2050940</a>	CEMENT RESISTOR(X161320390)	R21	Electronic Parts	1
<a href="#">2050532</a>	CARBON FILM RESISTOR(X154411022)	R28	Electronic Parts	1
<a href="#">2050531</a>	CARBON FILM RESISTOR(X154411012)	R29,R31	Electronic Parts	2
<a href="#">2003108</a>	METAL OXIDE FILM RESISTOR	R3	Electronic Parts	1
<a href="#">2049634</a>	METAL OXIDE FILM RESISTOR(X130222216)	R3	Electronic Parts	1
<a href="#">2050536</a>	CARBON FILM RESISTOR(X154411032)	R30	Electronic Parts	1
<a href="#">2050575</a>	CARBON FILM RESISTOR(X154412012)	R32,R40	Electronic Parts	2
<a href="#">2050531</a>	CARBON FILM RESISTOR(X154411012)	R33,R39	Electronic Parts	2
<a href="#">2050784</a>	CARBON FILM RESISTOR(X154415102)	R34	Electronic Parts	1
<a href="#">2050556</a>	CARBON FILM RESISTOR(X154411512)	R35	Electronic Parts	1
<a href="#">2003103</a>	METAL FILM RESISTOR	R4	Electronic Parts	1
<a href="#">2003106</a>	METAL FILM RESISTOR	R4	Electronic Parts	1
<a href="#">2003107</a>	METAL OXIDE FILM RESISTOR	R5	Electronic Parts	1
<a href="#">2049631</a>	METAL OXIDE FILM RESISTOR(X130221046)	R5	Electronic Parts	1
<a href="#">2003105</a>	METAL OXIDE FILM RESISTOR	R51,R52	Electronic Parts	2
<a href="#">2003105</a>	METAL OXIDE FILM RESISTOR	R51,R52	Electronic Parts	2
<a href="#">2003104</a>	METAL FILM RESISTOR	R53	Electronic Parts	1
<a href="#">2003104</a>	METAL FILM RESISTOR	R53	Electronic Parts	1
<a href="#">2050536</a>	CARBON FILM RESISTOR(X154411032)	R54	Electronic Parts	1
<a href="#">2050536</a>	CARBON FILM RESISTOR(X154411032)	R54,R59	Electronic Parts	2
<a href="#">2050580</a>	CARBON FILM RESISTOR(X154412032)	R55	Electronic Parts	1
<a href="#">2050580</a>	CARBON FILM RESISTOR(X154412032)	R55	Electronic Parts	1
<a href="#">2050598</a>	CARBON FILM RESISTOR(X154413012)	R56	Electronic Parts	1
<a href="#">2050598</a>	CARBON FILM RESISTOR(X154413012)	R56	Electronic Parts	1

<a href="#">2050557</a>	CARBON FILM RESISTOR(X154411522)	R57	Electronic Parts	1
<a href="#">2050557</a>	CARBON FILM RESISTOR(X154411522)	R57	Electronic Parts	1
<a href="#">2050581</a>	CARBON FILM RESISTOR(X154412042)	R58,R66	Electronic Parts	2
<a href="#">2050581</a>	CARBON FILM RESISTOR(X154412042)	R58,R66	Electronic Parts	2
<a href="#">2050536</a>	CARBON FILM RESISTOR(X154411032)	R59,R60	Electronic Parts	2
<a href="#">2050536</a>	CARBON FILM RESISTOR(X154411032)	R6,R7,R8	Electronic Parts	3
<a href="#">2050536</a>	CARBON FILM RESISTOR(X154411032)	R60	Electronic Parts	1
<a href="#">2050574</a>	CARBON FILM RESISTOR(X154412002)	R61	Electronic Parts	1
<a href="#">2050574</a>	CARBON FILM RESISTOR(X154412002)	R61	Electronic Parts	1
<a href="#">2050598</a>	CARBON FILM RESISTOR(X154413012)	R62	Electronic Parts	1
<a href="#">2050598</a>	CARBON FILM RESISTOR(X154413012)	R62	Electronic Parts	1
<a href="#">2050607</a>	CARBON FILM RESISTOR(X154413622)	R63	Electronic Parts	1
<a href="#">2050607</a>	CARBON FILM RESISTOR(X154413622)	R63	Electronic Parts	1
<a href="#">2050531</a>	CARBON FILM RESISTOR(X154411012)	R64	Electronic Parts	1
<a href="#">2050531</a>	CARBON FILM RESISTOR(X154411012)	R64	Electronic Parts	1
<a href="#">2050532</a>	CARBON FILM RESISTOR(X154411022)	R65	Electronic Parts	1
<a href="#">2050599</a>	CARBON FILM RESISTOR(X154413022)	R67,R69	Electronic Parts	2
<a href="#">2050599</a>	CARBON FILM RESISTOR(X154413022)	R67,R69	Electronic Parts	2
<a href="#">2050603</a>	CARBON FILM RESISTOR(X154413312)	R68	Electronic Parts	1
<a href="#">2050785</a>	CARBON FILM RESISTOR(X154415112)	R68	Electronic Parts	1
<a href="#">2050553</a>	CARBON FILM RESISTOR(X154411332)	R7	Electronic Parts	1
<a href="#">2050566</a>	CARBON FILM RESISTOR(X154411632)	R7	Electronic Parts	1
<a href="#">2050592</a>	CARBON FILM RESISTOR(X154412712)	R8,R11	Electronic Parts	2
<a href="#">2050592</a>	CARBON FILM RESISTOR(X154412712)	R8,R11	Electronic Parts	2
<a href="#">2050538</a>	CARBON FILM RESISTOR(X154411042)	R9	Electronic Parts	1
<a href="#">2050785</a>	CARBON FILM RESISTOR(X154415112)	R9	Electronic Parts	1
<a href="#">2050531</a>	CARBON FILM RESISTOR(X154411012)	R9,R65	Electronic Parts	2
<a href="#">2049421</a>	RESISTOR ARRAY(X111883320)	RM1	Electronic Parts	1
<a href="#">2049406</a>	RESISTOR ARRAY(X111844720)	RM2	Electronic Parts	1
<a href="#">2003196</a>	TRANSFORMER	T1	Electronic Parts	1
<a href="#">2003197</a>	TRANSFORMER	T1	Electronic Parts	1
<a href="#">2003155</a>	TRIMMER POTENTIOMETER	VR1	Electronic Parts	1
<a href="#">2052903</a>	CHECK TERMINAL(X640010130)	VREF	Electronic Parts	1
<a href="#">2005550</a>	ZENER DIODE	ZD51	Electronic Parts	1
<a href="#">2005550</a>	ZENER DIODE	ZD51	Electronic Parts	1
<a href="#">2003115</a>	ZENER DIODE	ZD52	Electronic Parts	1
<a href="#">2003115</a>	ZENER DIODE	ZD52	Electronic Parts	1
<a href="#">2003116</a>	ZENER DIODE	ZD53,ZD54	Electronic Parts	2
<a href="#">2003116</a>	ZENER DIODE	ZD53,ZD54	Electronic Parts	2
<a href="#">2003117</a>	ZENER DIODE	ZD55	Electronic Parts	1
<a href="#">2003117</a>	ZENER DIODE	ZD55	Electronic Parts	1
<a href="#">2002934</a>	PRINTER MECHANISM	500	Mechanism Parts	1
<a href="#">1004891</a>	FRAME,MAIN,BASE	502	Mechanism Parts	1
<a href="#">1023409</a>	FRAME,MAIN,RIGHT	503	Mechanism Parts	1
<a href="#">1004919</a>	CAM,CLUTCH,TRACTOR	504	Mechanism Parts	1
<a href="#">1004933</a>	COMBINATION GEAR,8.5,30	505	Mechanism Parts	1
<a href="#">1004935</a>	SPUR GEAR,40	506	Mechanism Parts	1
<a href="#">1004936</a>	COMPRESSION SPRING,200	507	Mechanism Parts	1
<a href="#">1004937</a>	PLAIN WASHER	508	Mechanism Parts	1
<a href="#">1004952</a>	SPUR GEAR,16	509	Mechanism Parts	1
<a href="#">1016296</a>	FRAME,MAIN,LEFT	510	Mechanism Parts	1
<a href="#">1004958</a>	COMBINATION GEAR	511	Mechanism Parts	2
<a href="#">1004959</a>	SPUR GEAR,13.2	512	Mechanism Parts	1

<a href="#">1004963</a>	RATCHET,RD	513	Mechanism Parts	1
<a href="#">1004996</a>	LEVER ASSY.,RIBBON,PLANET	514	Mechanism Parts	1
<a href="#">2002935</a>	MOTOR, PF	515	Mechanism Parts	1
<a href="#">2002919</a>	DETECTOR, HP	520	Mechanism Parts	1
<a href="#">1005004</a>	FRAME ASSY.,CR,MOTOR	521	Mechanism Parts	1
<a href="#">2002936</a>	MOTOR, CR	522	Mechanism Parts	1
<a href="#">1073731</a>	BELT PULLEY(F336051020)	523	Mechanism Parts	1
<a href="#">1005005</a>	COVER ASSY.,EJ	524	Mechanism Parts	1
<a href="#">1076309</a>	BALL BEARING(B210151690)	525	Mechanism Parts	2
<a href="#">1074111</a>	RETAINING RING(B150350111)	527	Mechanism Parts	2
<a href="#">2002921</a>	DETECTOR, RELEASE	529	Mechanism Parts	1
<a href="#">1005001</a>	CARRIAGE ASSY.	530	Mechanism Parts	1
<a href="#">1073443</a>	HEAD LOCK LEVER SPRING(F323201020)	531	Mechanism Parts	1
<a href="#">1073468</a>	HEAD LOCK LEVER (LEFT)(F331201010)	532	Mechanism Parts	1
<a href="#">1073471</a>	HEAD LOCK LEVER (RIGHT)(F331201020)	533	Mechanism Parts	1
<a href="#">1004909</a>	GROUNDING PLATE,HEAD	534	Mechanism Parts	1
<a href="#">2002924</a>	DETECTOR, PE, REAR	535	Mechanism Parts	1
<a href="#">2002920</a>	DETECTOR, PE, FRONT	536	Mechanism Parts	1
<a href="#">2002922</a>	DETECTOR, PLATEN	537	Mechanism Parts	1
<a href="#">1004912</a>	PLATEN	538	Mechanism Parts	1
<a href="#">1004913</a>	BUSHING,8	539	Mechanism Parts	2
<a href="#">1004934</a>	SPUR GEAR,34	540	Mechanism Parts	1
<a href="#">1076264</a>	PLAIN WASHER(B100166012)	541	Mechanism Parts	1
<a href="#">1076283</a>	LEAF SPRING(B101253390)	542	Mechanism Parts	1
<a href="#">1074777</a>	RETAINING RING(B160101412)	543	Mechanism Parts	2
<a href="#">1013475</a>	TRACTOR ASSY.	544	Mechanism Parts	1
<a href="#">1013373</a>	TRACTOR,LEFT	545	Mechanism Parts	1
<a href="#">1013372</a>	TRACTOR,RIGHT	546	Mechanism Parts	1
<a href="#">1004941</a>	FRAME,TRACTOR,LEFT	547	Mechanism Parts	1
<a href="#">1013376</a>	FRAME,TRACTOR,RIGHT	548	Mechanism Parts	1
<a href="#">1005314</a>	PAPER SUPPORT	549	Mechanism Parts	1
<a href="#">1077928</a>	TRACTOR GUIDE SHAFT(F353253070)	550	Mechanism Parts	1
<a href="#">1004945</a>	SHAFT,TRACTOR	551	Mechanism Parts	1
<a href="#">1004943</a>	LEVER,TR,FRAME	552	Mechanism Parts	2
<a href="#">1004944</a>	SPUR GEAR,17	553	Mechanism Parts	1
<a href="#">1004947</a>	COMPRESSION SPRING,150	554	Mechanism Parts	2
<a href="#">1074768</a>	RETAINING RING(B150300911)	555	Mechanism Parts	1
<a href="#">1004911</a>	PAPER GUIDE	556	Mechanism Parts	1
<a href="#">1004918</a>	SHAFT,RELEASE	557	Mechanism Parts	1
<a href="#">1004926</a>	ROLLER ASSY.,PF,DRIVE	558	Mechanism Parts	1
<a href="#">1004998</a>	LEVER ASSY.,PF	559	Mechanism Parts	3
<a href="#">1004999</a>	PAPER GUIDE ASSY.,SUPPORT	560	Mechanism Parts	1
<a href="#">1004924</a>	COMPRESSION SPRING,1300	561	Mechanism Parts	3
<a href="#">1004929</a>	SPUR GEAR,11.5	562	Mechanism Parts	2
<a href="#">1004930</a>	SPUR GEAR,18	563	Mechanism Parts	1
<a href="#">1004949</a>	COVER,EJ	564	Mechanism Parts	1
<a href="#">1004950</a>	ROLLER ASSY.,EJ	565	Mechanism Parts	1
<a href="#">1004954</a>	COVER,PLATEN,UPPER	566	Mechanism Parts	1
<a href="#">1004951</a>	SPUR GEAR,17	567	Mechanism Parts	1
<a href="#">1074369</a>	PAPER TENSION SPRING(F353256020)	568	Mechanism Parts	1
<a href="#">1074109</a>	RETAINING RING(B150300811)	569	Mechanism Parts	1
<a href="#">1004899</a>	SHAFT,CR,GUIDE	570	Mechanism Parts	1
<a href="#">1004896</a>	LEVER,G,ADJUST	571	Mechanism Parts	1



<a href="#">1004906</a>	PULLEY,DRIVEN	572	Mechanism Parts	1
<a href="#">1073733</a>	BELT PULLEY FLANGE(F336051030)	573	Mechanism Parts	2
<a href="#">1004905</a>	SHAFT,DRIVEN,PULLEY	574	Mechanism Parts	1
<a href="#">1073501</a>	PLAIN WASHER(F333051080)	575	Mechanism Parts	2
<a href="#">2002918</a>	CABLE,HEAD,REAR	576	Mechanism Parts	1
<a href="#">2002917</a>	CABLE,HEAD,FRONT	577	Mechanism Parts	1
<a href="#">1004898</a>	GROUNDING PLATE,CR	578	Mechanism Parts	1
<a href="#">1074292</a>	RIBBON MASK(F353003070)	579	Mechanism Parts	1
<a href="#">1004917</a>	LEVER,RELEASE	580	Mechanism Parts	1
<a href="#">1004925</a>	SHAFT,RELEASE,SUPPORT	581	Mechanism Parts	1
<a href="#">1004907</a>	TIMING BELT	582	Mechanism Parts	1
<a href="#">1073495</a>	OIL PAD(F333003130)	583	Mechanism Parts	1
<a href="#">1004895</a>	BUSH,PARALLEL,ADJUST	584	Mechanism Parts	2
<a href="#">1004897</a>	HOLDER,HEAD CABLE	585	Mechanism Parts	1
<a href="#">1004903</a>	EXTENSION SPRING,778	586	Mechanism Parts	1
<a href="#">1004915</a>	EXTENSION SPRING,32	587	Mechanism Parts	3
<a href="#">1004948</a>	COVER,PLATEN,LOWER	589	Mechanism Parts	1
<a href="#">1004957</a>	COVER,RD	590	Mechanism Parts	1
<a href="#">1005018</a>	C.B.S-TITE C.(P2)SCREW	591	Mechanism Parts	4
<a href="#">1005379</a>	C.B.P-TITE C.SCREW	592	Mechanism Parts	2
<a href="#">1004939</a>	TORSION SPRING,1.08	593	Mechanism Parts	1
<a href="#">1006906</a>	NYLON PUSH RIVET	594	Mechanism Parts	1
<a href="#">1012449</a>	SPACER	595	Mechanism Parts	1
<a href="#">1010232</a>	C.P.B SCREW	596	Mechanism Parts	1
<a href="#">1023410</a>	SHAFT,STRENGTHEN	604	Mechanism Parts	1
<a href="#">5000455</a>	PAD,SLEIVE	3	Packing Material	1
<a href="#">5001630</a>	PAD,RIBBON	4	Packing Material	1
<a href="#">5000456</a>	PAD,PAPER EJECTING COVER	6	Packing Material	2
<a href="#">5012970</a>	PLASTIC BAG[X680616010]	6	Packing Material	1
<a href="#">5000457</a>	PAD,SHEET GUIDE	7	Packing Material	1
<a href="#">5011966</a>	PLASTIC PROTECTIVE BAG(Y422932003)	7	Packing Material	1
<a href="#">5012553</a>	PLASTIC PROTECTIVE BAG(X680015010)	7	Packing Material	1
<a href="#">5000456</a>	PAD,PAPER EJECTING COVER	8	Packing Material	2
<a href="#">5000456</a>	PAD,PAPER EJECTING COVER	8	Packing Material	2
<a href="#">5000460</a>	PAD,COVER	8	Packing Material	2
<a href="#">5000457</a>	PAD,SHEET GUIDE	9	Packing Material	1
<a href="#">5000681</a>	PAD,SHEET GUIDE	9	Packing Material	1
<a href="#">5000830</a>	PAD,FRONT	9	Packing Material	1
<a href="#">5000460</a>	PAD,COVER	10	Packing Material	2
<a href="#">5000460</a>	PAD,COVER	10	Packing Material	2
<a href="#">5012553</a>	PLASTIC PROTECTIVE BAG(X680015010)	10	Packing Material	1
<a href="#">5011966</a>	PLASTIC PROTECTIVE BAG(Y422932003)	11	Packing Material	1
<a href="#">5000829</a>	PAD,PRINTER,FRONT;B	12	Packing Material	1
<a href="#">5000829</a>	PAD,PRINTER,FRONT;B	12	Packing Material	1
<a href="#">2002857</a>	WIRE HERNESS	330	Power Supply	1
<a href="#">2002364</a>	POWER CABLE,(VD31303SA-10A)	400	Power Supply	1
<a href="#">Y901305500</a>	POWER CABLE (BS31303SA-SR)	401	Power Supply	1
<a href="#">2053619</a>	POWER CABLE (AS31303SI)(Y901304200)	402	Power Supply	1
<a href="#">2002365</a>	POWER CABLE VD00303SA-10A	403	Power Supply	1
<a href="#">2006741</a>	POWER CABLE,BS31303SA-SR-10A	403	Power Supply	1
<a href="#">2002861</a>	POWER CABLE ASSEMBLY	410	Power Supply	1
<a href="#">2002860</a>	POWER CABLE ASSY.	411	Power Supply	1
<a href="#">2002858</a>	WIRE HARNESS	412	Power Supply	1

Part Code	Part Name	Ref No.	Category	Qty
-----------	-----------	---------	----------	-----