

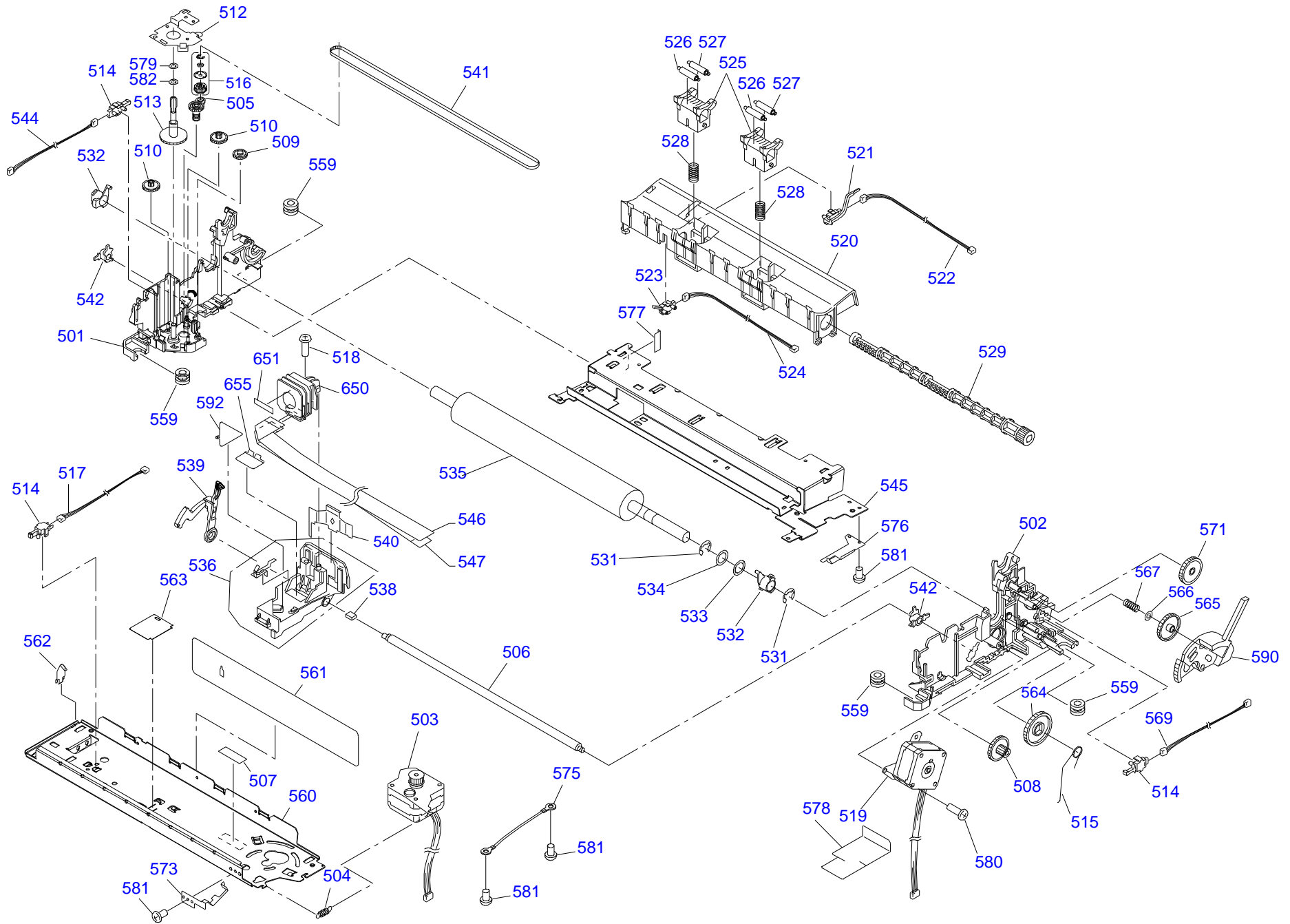
LQ-300+/LQ-305K

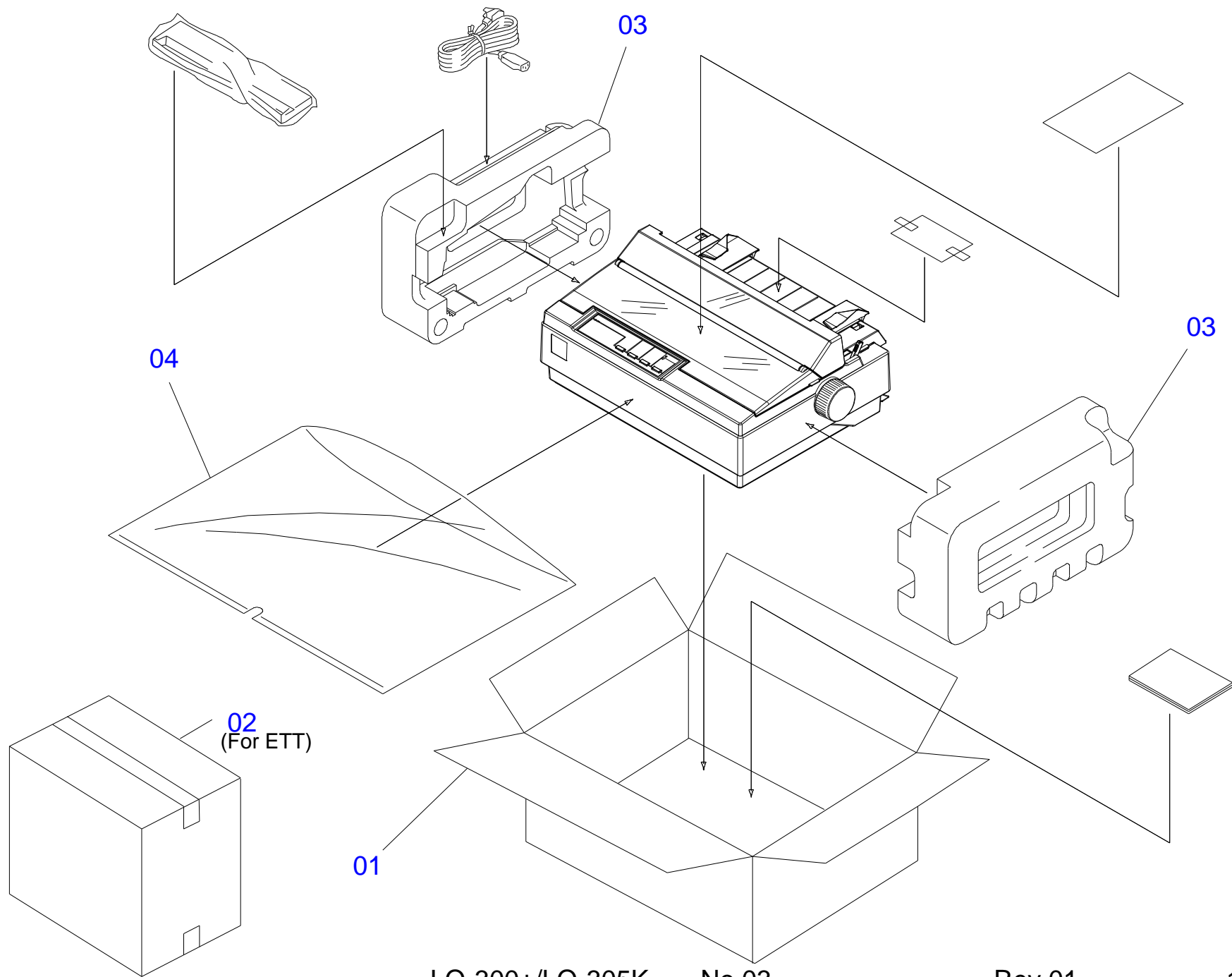
No.01

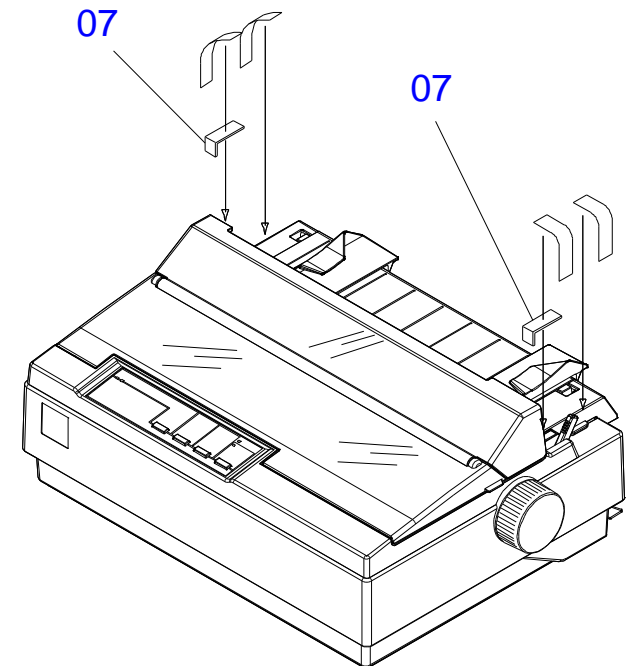
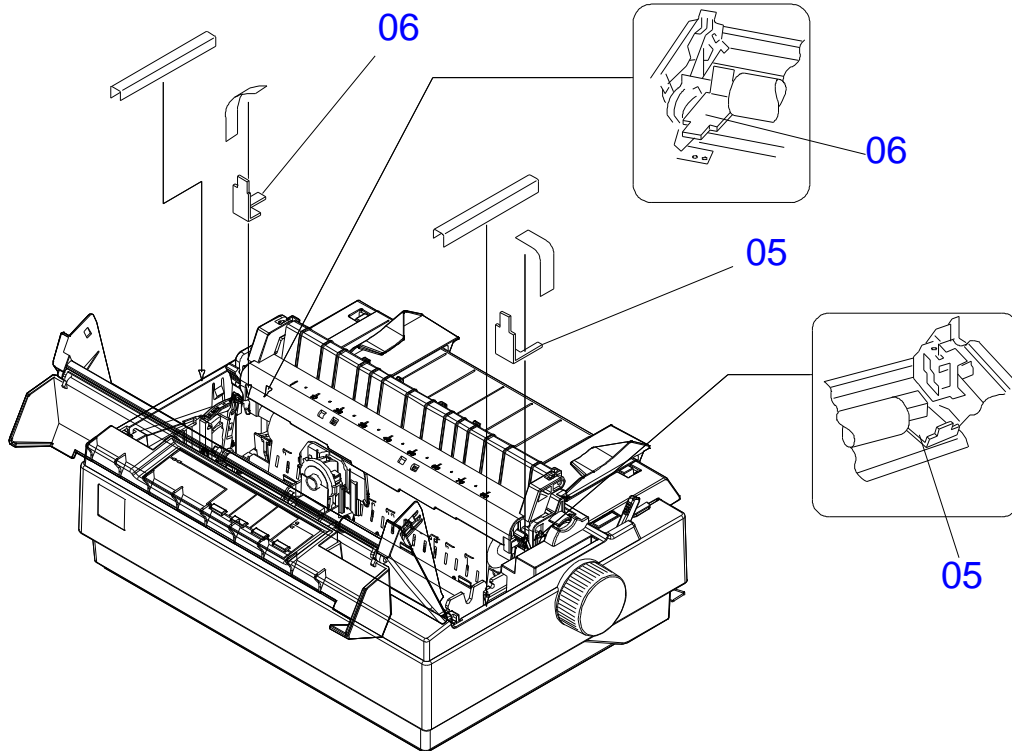
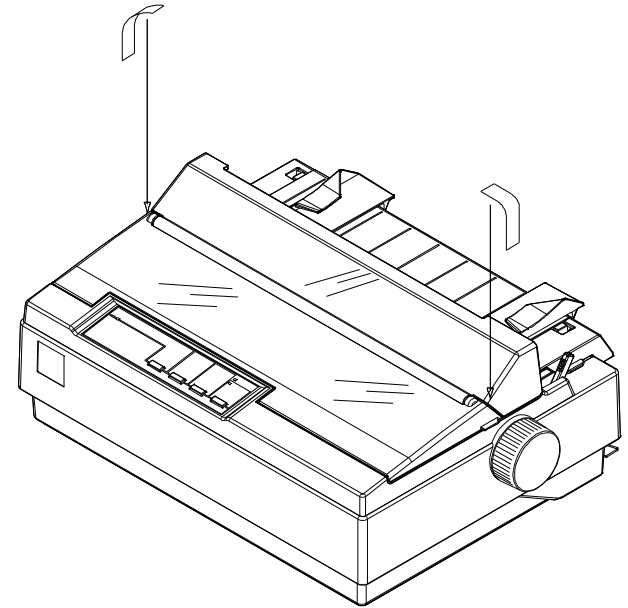
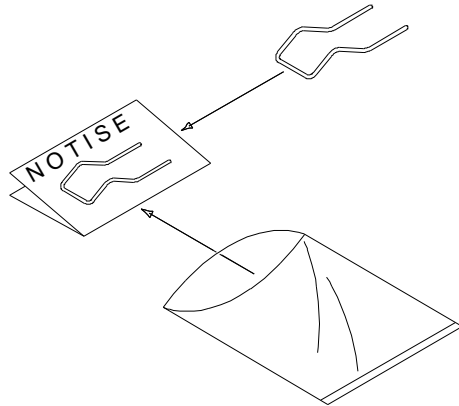
Rev.03

10302

C395-CASE-013E







Part Code	Part Name	Ref No.	Category	Qty	Remark
<a href="#">1104879</a>	HOUSING ASSY.,LOWER	<a href="#">100</a>	Case	1	
<a href="#">1431609</a>	HOUSING,UPPER	<a href="#">103</a>	Case	1	
<a href="#">1405964</a>	SHIELD PLATE,LOWER	<a href="#">104</a>	Case	1	
<a href="#">1050626</a>	COVER ASSY.,PRINTER	<a href="#">105</a>	Case	1	
<a href="#">1051718</a>	KNOB;W	<a href="#">106</a>	Case	1	
<a href="#">1050625</a>	SHEET GUIDE ASSY.	<a href="#">109</a>	Case	1	
<a href="#">1050445</a>	SHIELDPLATE,UPPER	<a href="#">111</a>	Case	1	
<a href="#">1051972</a>	COVER CONNECTOR,CS;W	<a href="#">115</a>	Case	1	
<a href="#">1282390</a>	H.N.-2,4,F/ZN-3C	<a href="#">116</a>	Case	1	
<a href="#">1050446</a>	GROUNDINGPLATE	<a href="#">117</a>	Case	2	
<a href="#">1052564</a>	GROUNDING PLATE,PANEL	<a href="#">118</a>	Case	1	
<a href="#">1054191</a>	EDGING;A	<a href="#">119</a>	Case	1	
<a href="#">1067495</a>	LOGO PLATE	<a href="#">120</a>	Case	1	
<a href="#">1053926</a>	FERRITE CORE,FPC-25-20	<a href="#">123</a>	Case	1	
<a href="#">1054471</a>	SHEET,PROTECT	<a href="#">124</a>	Case	1	
<a href="#">1076260</a>	CONNECTOR LOCK NUT(X610058724)	<a href="#">125</a>	Case	2	
<a href="#">1282378</a>	C.B.P-TITE SCREW,3X10,F/ZN-3C	<a href="#">127</a>	Case	18	
<a href="#">1284067</a>	C.B.S-TITE SCREW,3X4,F/ZN-3C	<a href="#">128</a>	Case	2	
<a href="#">1283915</a>	C.B.B-TITE(W(13))SCREW,3X14,F/ZN-3C	<a href="#">129</a>	Case	2	
<a href="#">1283812</a>	C.B.(O)SCREW,4X8,F/ZG-3C	<a href="#">130</a>	Case	1	
<a href="#">1282387</a>	C.P.SCREW,3X4,F/ZN-3C	<a href="#">131</a>	Case	2	
<a href="#">1282370</a>	C.B.S-TITE SCREW,3X6,F/ZN-3C	<a href="#">132</a>	Case	2	
<a href="#">1268439</a>	GUIDE,PAPER FEED,ASP	<a href="#">133</a>	Case	3	
<a href="#">1054395</a>	GUIDE,STACKER	<a href="#">180</a>	Case	2	
<a href="#">2087341</a>	BOARD ASSY., MAIN	<a href="#">200</a>	Electronic Parts	1	
<a href="#">2018028</a>	HARNESS	<a href="#">401</a>	Electronic Parts	1	
<a href="#">2037523</a>	BOARD ASSY.,PANEL	<a href="#">450</a>	Electronic Parts	1	
<a href="#">1061325</a>	SHEET,PANEL	<a href="#">451</a>	Electronic Parts	1	
<a href="#">2077893</a>	ALUMINIUM ELECTROLYTIC CAPACITOR	<a href="#">C75</a>	Electronic Parts	1	FOR 2087340/1/2/3/4
<a href="#">2077893</a>	ALUMINIUM ELECTROLYTIC CAPACITOR	<a href="#">C75</a>	Electronic Parts	1	FOR 2087340/1/2/3/4
<a href="#">2013284</a>	CONNECTOR 57RE-40360-830B(D7B)	<a href="#">CN1</a>	Electronic Parts	1	
<a href="#">2029528</a>	CONNECTOR	<a href="#">CN10</a>	Electronic Parts	1	
<a href="#">2029529</a>	CONNECTOR	<a href="#">CN11</a>	Electronic Parts	1	
<a href="#">2037006</a>	CONNECTOR	<a href="#">CN12</a>	Electronic Parts	1	
<a href="#">2036984</a>	CONNECTOR	<a href="#">CN13</a>	Electronic Parts	1	
<a href="#">2037006</a>	CONNECTOR	<a href="#">CN14</a>	Electronic Parts	1	
<a href="#">2013186</a>	CONNECTOR	<a href="#">CN15</a>	Electronic Parts	1	
<a href="#">2014644</a>	CONNECTOR	<a href="#">CN16</a>	Electronic Parts	1	
<a href="#">2033547</a>	HARNESS	<a href="#">CN2</a>	Electronic Parts	1	
<a href="#">2003678</a>	CONNECTOR	<a href="#">CN3</a>	Electronic Parts	1	
<a href="#">2052745</a>	CONNECTOR(X600440120)	<a href="#">CN4</a>	Electronic Parts	1	
<a href="#">2003680</a>	CONNECTOR	<a href="#">CN5</a>	Electronic Parts	1	
<a href="#">2003679</a>	CONNECTOR	<a href="#">CN6</a>	Electronic Parts	1	
<a href="#">2052747</a>	CONNECTOR(X600440220)	<a href="#">CN7</a>	Electronic Parts	1	
<a href="#">2011491</a>	CONNECTOR	<a href="#">CN8</a>	Electronic Parts	1	
<a href="#">2014645</a>	CONNECTOR	<a href="#">CN9</a>	Electronic Parts	1	
<a href="#">2091960</a>	CERAMIC OSSILATOR	<a href="#">CR1</a>	Electronic Parts	1	
<a href="#">2006214</a>	SWITCHING DIODE	<a href="#">D1</a>	Electronic Parts	1	
<a href="#">2004284</a>	DIODE	<a href="#">D28</a>	Electronic Parts	1	
<a href="#">2052419</a>	DIODE(X320011450)	<a href="#">D30</a>	Electronic Parts	1	
<a href="#">2012708</a>	DIODE	<a href="#">D31</a>	Electronic Parts	1	
<a href="#">2036677</a>	FUSE	<a href="#">F1</a>	Electronic Parts	1	
<a href="#">2050725</a>	TTL-IC SN74LS06NS-TPL(X422350069)	<a href="#">IC1</a>	Electronic Parts	1	

<a href="#">2035187</a>	IC	<a href="#">IC10</a>	Electronic Parts	1
<a href="#">2027795</a>	3-TERMINAL REGULATOR	<a href="#">IC11</a>	Electronic Parts	1
<a href="#">2051145</a>	IC(X440035940)	<a href="#">IC12</a>	Electronic Parts	1
<a href="#">2034047</a>	RS-232 DRIVER/RECEIVER IC	<a href="#">IC2</a>	Electronic Parts	1
<a href="#">2037148</a>	ASIC	<a href="#">IC3</a>	Electronic Parts	1
<a href="#">2024507</a>	RESET IC,M62030FP	<a href="#">IC4</a>	Electronic Parts	1
<a href="#">2030125</a>	EEPROM	<a href="#">IC5</a>	Electronic Parts	1
<a href="#">2087305</a>	PPROM	<a href="#">IC5</a>	Electronic Parts	1
<a href="#">2048463</a>	MASK ROM	<a href="#">IC6</a>	Electronic Parts	1
<a href="#">2036293</a>	IC SOCKET	<a href="#">IC7</a>	Electronic Parts	1 UNIQUE PARTS
<a href="#">2087305</a>	PPROM	<a href="#">IC7</a>	Electronic Parts	1
<a href="#">2089244</a>	DRAM	<a href="#">IC8</a>	Electronic Parts	1
<a href="#">2035187</a>	IC	<a href="#">IC9</a>	Electronic Parts	1
<a href="#">2051471</a>	CHOKE COIL(Y565201004)	<a href="#">L1</a>	Electronic Parts	1
<a href="#">2034244</a>	CHOCK COIL	<a href="#">L2</a>	Electronic Parts	1
<a href="#">2035422</a>	TRANSISTOR	<a href="#">Q1</a>	Electronic Parts	1
<a href="#">2091598</a>	PNP TRANSISTOR	<a href="#">Q12</a>	Electronic Parts	1
<a href="#">2033247</a>	NPN TRANSISTOR	<a href="#">Q13</a>	Electronic Parts	1
<a href="#">2014231</a>	TRANSISTOR	<a href="#">Q2</a>	Electronic Parts	1
<a href="#">1024590</a>	HEAT SINK	<a href="#">QF1</a>	Electronic Parts	1
<a href="#">2034441</a>	N-CH FET	<a href="#">QF1</a>	Electronic Parts	1
<a href="#">2037149</a>	TRANSISTOR ARRAY	<a href="#">QM1</a>	Electronic Parts	1
<a href="#">2037149</a>	TRANSISTOR ARRAY	<a href="#">QM2</a>	Electronic Parts	1
<a href="#">2037149</a>	TRANSISTOR ARRAY	<a href="#">QM3</a>	Electronic Parts	1
<a href="#">2037149</a>	TRANSISTOR ARRAY	<a href="#">QM4</a>	Electronic Parts	1
<a href="#">2033380</a>	ZENER DIODE	<a href="#">ZD1</a>	Electronic Parts	1
<a href="#">2048914</a>	PRINTER MECHANISM(ASP),M-5V10-100	<a href="#">500</a>	Mechanism Parts	1
<a href="#">1072716</a>	FRAME ASSY.,LEFT	<a href="#">501</a>	Mechanism Parts	1
<a href="#">1063465</a>	FRAME,RIGHT	<a href="#">502</a>	Mechanism Parts	1
<a href="#">2032892</a>	MOTOR ASSY.,CR	<a href="#">503</a>	Mechanism Parts	1
<a href="#">1050423</a>	EXTENSION SPRING,8.10	<a href="#">504</a>	Mechanism Parts	1
<a href="#">1050611</a>	LEVER ASSY.,PLANET	<a href="#">505</a>	Mechanism Parts	1
<a href="#">1060743</a>	SHAFT,CR,GUIDE	<a href="#">506</a>	Mechanism Parts	1
<a href="#">1056642</a>	LABEL,CAUTION BASE FRAME	<a href="#">507</a>	Mechanism Parts	1
<a href="#">1060747</a>	COMBINATION GEAR,8.5,24	<a href="#">508</a>	Mechanism Parts	1
<a href="#">1018157</a>	SPURGEAR,13.2	<a href="#">509</a>	Mechanism Parts	1
<a href="#">1018158</a>	COMBINATIONGEAR,5.1,16.2	<a href="#">510</a>	Mechanism Parts	2
<a href="#">1061328</a>	COVER,RD	<a href="#">512</a>	Mechanism Parts	1
<a href="#">1022466</a>	RATCHET,RD	<a href="#">513</a>	Mechanism Parts	1
<a href="#">2020393</a>	DETECTOR,LEAF,B2	<a href="#">514</a>	Mechanism Parts	1
<a href="#">1018191</a>	GROUNDING WIRE,PLATEN	<a href="#">515</a>	Mechanism Parts	1
<a href="#">1050612</a>	PULLEY ASSY.,DRIVEN	<a href="#">516</a>	Mechanism Parts	1
<a href="#">2037827</a>	HARNESS,HP	<a href="#">517</a>	Mechanism Parts	1
<a href="#">1284455</a>	C.P.B-TITE SCREW,3X14,F/ZN-3C	<a href="#">518</a>	Mechanism Parts	1
<a href="#">2037829</a>	MOTOR ASSY.,PF	<a href="#">519</a>	Mechanism Parts	1
<a href="#">1050407</a>	PAPER GUIDE	<a href="#">520</a>	Mechanism Parts	1
<a href="#">2032887</a>	DETECTOR,PE,REAR	<a href="#">521</a>	Mechanism Parts	1
<a href="#">2037830</a>	HARNESS,PE,REAR	<a href="#">522</a>	Mechanism Parts	1
<a href="#">2032888</a>	DETECTOR,PE,BOTTOM	<a href="#">523</a>	Mechanism Parts	1
<a href="#">2037831</a>	HARNESS,PE,BOTTOM	<a href="#">524</a>	Mechanism Parts	1
<a href="#">1050413</a>	HOLDER,ROLLER,PF	<a href="#">525</a>	Mechanism Parts	2
<a href="#">1050408</a>	ROLLER,PF,DRIVEN	<a href="#">526</a>	Mechanism Parts	2
<a href="#">1066758</a>	ROLLER,PF,DRIVEN,REAR;C	<a href="#">527</a>	Mechanism Parts	1
<a href="#">1050424</a>	COMPRESSION SPRING,13.72	<a href="#">528</a>	Mechanism Parts	2
<a href="#">1050406</a>	SHAFT,RELEASE	<a href="#">529</a>	Mechanism Parts	1



<a href="#">1283667</a>	E-RING,8,F/UC-3C	<a href="#">531</a>	Mechanism Parts	2
<a href="#">1008995</a>	BUSHING,11	<a href="#">532</a>	Mechanism Parts	2
<a href="#">1008637</a>	U-TYPE,11.2X0.13X16S/NA	<a href="#">533</a>	Mechanism Parts	1
<a href="#">1076268</a>	PLAIN WASHER(B100166990)	<a href="#">534</a>	Mechanism Parts	1
<a href="#">1050435</a>	PLATEN	<a href="#">535</a>	Mechanism Parts	1
<a href="#">1060878</a>	CARRIAGE ASSEMBLY	<a href="#">536</a>	Mechanism Parts	1
<a href="#">1052555</a>	OIL PAD	<a href="#">538</a>	Mechanism Parts	1
<a href="#">1060745</a>	LEVER,G,ADJUST	<a href="#">539</a>	Mechanism Parts	1
<a href="#">1018248</a>	RIBBON MASK	<a href="#">540</a>	Mechanism Parts	1
<a href="#">1050422</a>	TIMING BELT	<a href="#">541</a>	Mechanism Parts	1
<a href="#">1012841</a>	BUSHING,PARALLEL,ADJUST	<a href="#">542</a>	Mechanism Parts	2
<a href="#">2037828</a>	HARNESS,PG	<a href="#">544</a>	Mechanism Parts	1
<a href="#">1060739</a>	PAPER GUIDE ,LOWER	<a href="#">545</a>	Mechanism Parts	1
<a href="#">2089312</a>	CABLE,HEAD,FRONT	<a href="#">546</a>	Mechanism Parts	1
<a href="#">2089313</a>	CABLE,HEAD,REAR	<a href="#">547</a>	Mechanism Parts	1
<a href="#">1018193</a>	DAMPER	<a href="#">559</a>	Mechanism Parts	4
<a href="#">1061497</a>	FRAME,BASE	<a href="#">560</a>	Mechanism Parts	1
<a href="#">1050427</a>	PAPER GUIDE,SUPPORT	<a href="#">561</a>	Mechanism Parts	1
<a href="#">1052120</a>	GROUNDING PALTE,SHAFT,CR	<a href="#">562</a>	Mechanism Parts	1
<a href="#">1052348</a>	SHEET,CABLE,HEAD	<a href="#">563</a>	Mechanism Parts	1
<a href="#">1021543</a>	GEAR,34	<a href="#">564</a>	Mechanism Parts	1
<a href="#">1050415</a>	SPUR GEAR,27.5	<a href="#">565</a>	Mechanism Parts	1
<a href="#">1074747</a>	PLAIN WASHER(B100153012)	<a href="#">566</a>	Mechanism Parts	1
<a href="#">1050425</a>	COMPRESSION SPRING,1.18	<a href="#">567</a>	Mechanism Parts	1
<a href="#">2032891</a>	HARNESS,RELEASE	<a href="#">569</a>	Mechanism Parts	1
<a href="#">1268002</a>	PAPER EJECT ASSY	<a href="#">570</a>	Mechanism Parts	1
<a href="#">1050409</a>	COMBINATION GEAR,17.5,27	<a href="#">571</a>	Mechanism Parts	1
<a href="#">1054470</a>	GROUNDING PLATE,CS	<a href="#">573</a>	Mechanism Parts	1
<a href="#">2034978</a>	GROUNDING WIRE,RIGHT	<a href="#">575</a>	Mechanism Parts	1
<a href="#">1054826</a>	GROUNDING PLATE,PF	<a href="#">576</a>	Mechanism Parts	1
<a href="#">1054827</a>	SHEET,PROTECT,CABLE	<a href="#">577</a>	Mechanism Parts	1
<a href="#">1054831</a>	SHEET,PROTECT,M/B	<a href="#">578</a>	Mechanism Parts	1
<a href="#">1021985</a>	LEAF SPRING,8.6X0.13X15,S/NA	<a href="#">579</a>	Mechanism Parts	1
<a href="#">1282378</a>	C.B.P-TITE SCREW,3X10,F/ZN-3C	<a href="#">580</a>	Mechanism Parts	1
<a href="#">1284067</a>	C.B.S-TITE SCREW,3X4,F/ZN-3C	<a href="#">581</a>	Mechanism Parts	6
<a href="#">1021986</a>	P.W.,8.4X0.1X15,S/NA	<a href="#">582</a>	Mechanism Parts	1
<a href="#">1050410</a>	LEVER,RELEASE	<a href="#">590</a>	Mechanism Parts	1
<a href="#">1065453</a>	SHEET,CABLE,CR	<a href="#">592</a>	Mechanism Parts	1
<a href="#">F045000</a>	PRINthead,DH24-0U0	<a href="#">650</a>	Mechanism Parts	1
<a href="#">1027628</a>	LABEL,WARNING	<a href="#">651</a>	Mechanism Parts	1
<a href="#">1261441</a>	ROLLER,PAPER EJECT;B	<a href="#">654</a>	Mechanism Parts	1
<a href="#">1277628</a>	COVER,BOTTOM,CR	<a href="#">655</a>	Mechanism Parts	1
<a href="#">5003383</a>	PLASTIC PROTECTIVE BAG/700X500X0.04T	<a href="#">4</a>	Packing Material	1
<a href="#">5010270</a>	PAD,PLATEN,RIGHT	<a href="#">5</a>	Packing Material	1
<a href="#">5010271</a>	PAD,PLATEN,LEFT	<a href="#">6</a>	Packing Material	1
<a href="#">5004879</a>	PAD,EDGE GUIDE ASSY.,	<a href="#">7</a>	Packing Material	2
<a href="#">2056545</a>	BOARD ASSY., POWER SUPPLY	<a href="#">300</a>	Power Supply	1
<a href="#">2034843</a>	HARNESS	<a href="#">320</a>	Power Supply	1

Part Code	Part Name	Ref No.	Category	Qty	Remark
-----------	-----------	---------	----------	-----	--------