

REF	PART NO	DESCRIPTION	REMARKS	QTY
100	1025018	HOUSING ASSY., LOWER		1
101	1025039	COVER, FRONT		1
102	1025041	HOUSING, UPPER		1
103	1025027	COVER, PRINTER, REAR		1
104	1025024	COVER ASSY., PRINTER		1
105	1025034	EDGE GUIDE ASSY., FRONT		1
106	1025029	EDGE GUIDE ASSY., REAR		1
107	1025043	COVER, BOTTOM		1
108	1025042	KNOB		1
109	1025044	SHIELD PLATE		1
110	1002045	COVER, CONNECTOR, UPPER		1
111	1026742	SHIELD PLATE, UPPER E		1
112	1005480	GROUNDING PLATE		4
113	1025669	GROUNDING PLATE, I/F		1
114	1026336	STOPPER, COVER, FRONT		1
115	1026337	COVER, COMPRESSION SPRING		1
116	1026338	HOLDER, DETECTOR		1
117	1006374	GUIDE, I/F BOARD		1
118	1026339	COMPRESSION SPRING, 2.94		1
119	2018967	DETECTOR ASSY., CASE OPEN		1
120	1025942	LOGO PLATE		1
121	B310206511	C.B.B. SCREW	M4X14	4
122	1006901	C.B.C-LAMITITE	M3X8	4
123	B310204511	C.B.B. SCREW	M3X12	1
123	1009376	RIVET B-TITE(SCREW TYPE), 3X12, F/ZN		1
124	B310204311	C.B.B. SCREW	M3X8	3
125	B010350211	C.B.SCREW	M2X7	1
126	1025409	PRINTER MECH. MOUNTING SCREW		4
127	B310204511	C.B.B. SCREW	M3X12	9
128	B070200411	HEXAGON NUT	M4	3
129	B310206419	C.B.B. SCREW	M4X12	1
130	2020073	FERRITE CORE		1
133	1002674	C.B.S-TITE SCREW	M3X12	2
137	1011863	GROUNDING PLATE, I/F, UPPER		1
200	2022437	BOARD ASSY., MAIN	EUROPE	1
IC3	2023250	MASK ROM, M20A27JD	2M BIT	1
CN1	2020397	CONNECTOR 0-178042-1	36,	1
CN10	2017936	CONNECTOR	4,	1
CN11	2005108	CONNECTOR	5 PIN	1
CN12	X600440410	CONNECTOR	4 PIN	1
CN13	2003678	CONNECTOR	2,	1
CN14	2011241	CONNECTOR	10 0MM	1
CN15	2017940	CONNECTOR	22,	1
CN2	2007160	CONNECTOR	36PIN	1
CN3	2019113	CONNECTOR	12,	1
CN4	X600440310	CONNECTOR	3 PIN	1
CN5	2007097	CONNECTOR	3,	1
CN6	X600440120	CONNECTOR	2 PIN	1
CN7	2019111	CONNECTOR	4,	1
CN8	2008494	CONNECTOR	18,	1
CN9	2019112	CONNECTOR	16,	1
CRU1	2019110	CERAMIC OSCILLATOR	17.2MHZ,	1
C1-C3-C4-	2002486	CHIP CAPACITOR	0.1UF DC25V +80% -20%	3
C10	X200561009	AL'IUM. E'LYTIC. CAP.	10UF DC50V 20%	1
C12-C38	2002486	CHIP CAPACITOR	0.1UF DC25V +80% -20%	2
C13-C14	2011661	CHIP CAPACITOR	TP,39PF,50V,+5%,	2
C15-C21-	2002486	CHIP CAPACITOR	0.1UF DC25V +80% -20%	7
C2-C8-C22-	X271124711	CHIP CAPACITOR	470PF 50V 10%	3
C23-C27-	X271124711	CHIP CAPACITOR	470PF 50V 10%	2
C24-C25	2002500	CHIP CAPASITOR	TP,4700PF,50V,+1	2
C26	X200561019	AL'IUM. E'LYTIC. CAP.	100UF 50V 20%	1
C28-C64	X271124711	CHIP CAPACITOR	470PF 50V 10%	2
C29-C30	X271122221	CHIP CAPACITOR	2200PF DC50V 10%	2
C32	2006348	CHIP CAPACITOR	0.1UF 50V TP	1
C33	2002486	CHIP CAPACITOR	0.1UF DC25V +80% -20%	1
C34-C37	2010653	CHIP CAPACITOR	470PF 220V 10%	4
C40-C45-	2002486	CHIP CAPACITOR	0.1UF DC25V +80% -20%	6
C46-C62	X271121021	CHIP CERAMIC CAPACITOR	1000PF DC50V 10%	17

REF	PART NO	DESCRIPTION	REMARKS	QTY
C5	2002487	CHIP CAPACITOR	0.01UF 50V 10%	1
C6-C7-C11	2002486	CHIP CAPACITOR	0.1UF DC25V +80% -20%	3
C63-C31-	2002486	CHIP CAPACITOR	0.1UF DC25V +80% -20%	2
C9	X200561020	AL'UM. E'LYTIC. CAP.	BL 1000UF 50V 20%	1
D1	2006214	SWITCHING DIODE		1
D4-D7	2017977	DIODE		4
IC1	2013945	MICROCONTROLLER, TMP96C141AF-20	8,	1
IC10	2009451	RESET IC, PST592DMT	SOP 4	1
IC11	2017973	HIC UDN2917EB		1
IC12	2000592	HYBRID IC SLA7024M		1
IC13	X422350329	TTL-IC	QUAD 2-INPUT PO. OR	1
IC2	2019659	GATE ARRAY		1
IC3	X630113230	IC SOCKET	32 PIN	1
IC5	2018878	PSRAM, LH5P8128N-80	1M BIT	1
IC7	2019657	MASK ROM	4M BIT	1
IC8	2013161	EEPROM, AT93C46-10SC	1K BIT,8 PIN	1
IC9	X422350069	TTL-IC SN74LS06NS-TPL		1
Q4	2011623	TRANSISTOR	50V,100MA,200MW,100,0,	1
Q5-Q28	2023545	TRANSISTOR	110V,7A,2W,2000,5000,	24
RM1-RM2	2007898	CHIP RESISTOR ARRAY	10K OHM 1/16W 5%	2
RM15-RM26	2009784	CHIP RESISTOR ARRAY	47 OHM 1/16W 5%	12
RM3-RM5	2007897	CHIP RESISTOR ARRAY	3.3K OHM 1/16W 5%	3
RM6	2014643	CHIPRESISTOR ARRAY	TP,1.8KOHM,1/16W,+5%,	1
RM7-RM12	2019123	CHIP RESISTOR ARRAY	TP,2KOHM,1/16W,+5%,	6
R1	2008818	CHIP RESISTOR	TP,1.8KOHM,1/10W,+5%,	1
R101-R116	2001528	CHIP RESISTOR	1.5K OHM 1/10W 5%	16
R11-R20	X193013312	CHIP RESISTOR	330 OHM 1/10W 5% TP	10
R133	2001531	CHIP RESISTOR	3.3 OHM 1/10W 5%	1
R2-R100	2005302	CHIP RESISTOR	3.9K OHM	2
R21-R28-	X193011032	CHIP RESISTOR ERJ-6GEYJ103V	10K OHM 1/10W 5%	8
R29-R32	X193012022	CHIP RESISTOR	2K OHM 1/10W 5%	4
R3	2006215	CHIP RESISTOR	180 OHM 1/10W 5%	1
R33	2019097	METAL OXIDE FILM RESISTOR	BL,47OHM,1/2W,+5%,	1
R35-R37-	X193011032	CHIP RESISTOR ERJ-6GEYJ103V	10K OHM 1/10W 5%	3
R38	2005570	CHIP RESISTOR	6.2K OHM 1/10W 5% TP	1
R39	2013177	CHIP RESISTOR	TP,180OHM,1/4W,+5%,	1
R4-R10-	2001531	CHIP RESISTOR	3.3 OHM 1/10W 5%	7
R40-R43-	X193011032	CHIP RESISTOR ERJ-6GEYJ103V	10K OHM 1/10W 5%	4
R44-R46	2005570	CHIP RESISTOR	6.2K OHM 1/10W 5% TP	3
R47-R61-	X193011022	CHIP RESISTOR ERJ-6GEYJ102V	1K OHM 1/10W 5%	2
R48	2019103	METAL OXIDE FILM RESISTOR	BL,5.1KOHM,1/2W,+5%,	1
R49	2007981	CHIP RESISTOR	3.32K OHM 1/10W 1%	1
R50	2009184	CHIP RESISTOR	16K OHM 1/4W 0.5%	1
R51	2009183	CHIP RESISTOR	2K OHM 1/10W 0.5%	1
R52-	X193011032	CHIP RESISTOR ERJ-6GEYJ103V	10K OHM 1/10W 5%	1
R53-R55-	X193011022	CHIP RESISTOR ERJ-6GEYJ102V	1K OHM 1/10W 5%	3
R56	2019183	CHIP RESISTOR	TP,14.7KOHM,1/10W,+1%,	1
R57	2006216	CHIP RESISTOR	1.69K OHM 1/10W 1%	1
R58	2008817	CHIP RESISTOR	1K OHM 1/10W 1%	1
R59-R60	2005470	CHIP RESISTOR	56K OHM 1/10W 5%	2
R62-R96-	X193011022	CHIP RESISTOR ERJ-6GEYJ102V	1K OHM 1/10W 5%	2
R63-R64	2019185	METAL OXIDE FILM RESISTOR	BL,0.56OHM,1/2W,+2%,	2
R65-R66	2001538	CHIP RESISTOR	47K OHM 1/10W 5%	2
R67-R68	2001530	CHIP RESISTOR	2.4K OHM 1/10W 5%	2
R69-R70	X120220686	METAL OXIDE FILM RESISTOR	0.68 OHM 2W 5%	2
R71	2013179	CHIP RESISTOR	TP,1.05KOHM,1/10W,+1%,	1
R72	2006341	CHIP RESISTOR	TP,5.76KOHM,1/10W,+1%,	1
R73	2007896	CHIP RESISTOR	TP,4.42KOHM,1/10W,+1%,	1
R74	2007905	CHIP RESISTOR	TP,1.24KOHM,1/10W,+1%,	1
R75	2004296	CHIP RESISTOR	TP,787OHM,1/10W,+1%,	1
R76	2019102	CHIP RESISTOR	TP,127OHM,1/10W,+1%,	1
R77-R79	2001535	CHIP RESISTOR	15K OHM 1/10W 5%	2
R78-R80	2001521	CHIP RESISTOR	200 OHM 1/10W 5%	2
R81	X193011022	CHIP RESISTOR ERJ-6GEYJ102V	1K OHM 1/10W 5%	1
R82-R86	2017539	CHIP RESISTOR		5
R87	2001520	CHIP RESISTOR	100 OHM 1/10W 5%	1
R88-R95-	2001528	CHIP RESISTOR	1.5K OHM 1/10W 5%	8

REF	PART NO	DESCRIPTION	REMARKS	QTY
R97-R99	X193011032	CHIP RESISTOR ERJ-6GEYJ103V	10K OHM 1/10W 5%	3
ZD1	X330160109	ZENER DIODE	4.7 +-0.05V 0.15A 0.4A	1
ZD3-ZD26	2015749	ZENER DIODE		24
300	2020931	BOARD ASSY., POWER SUPPLY	UK	1
CN1	2000295	CONNECTOR	2 PIN	1
CN2	2018863	HARNESS		1
CN3	X600440120	CONNECTOR	2 PIN	1
C1-C2	2001137	FILM CAPACITOR	0.47UF 250V 20%	2
C11	2011485	AL'UM. E'LYTIC. CAP.	BL,270UF,400V,+20%,	1
C12	2018996	AL'UM. E'LYTIC. CAP.	TP,220UF,35V,+20%,	1
C13	2003140	FILM CAPACITOR	4700PF 50V 5%	1
C14	2001087	PLASTIC FILM CAPACITOR	2200PF 50V 5%	1
C15	2018999	FILM CAPACITOR	BL,1500PF,1.5KV,+5%,	1
C3-C4	2005087	CERAMIC CAPACITOR	BL,4700PF,0V,+20%,	2
C31-C81	X220222220	CERAMIC CAPACITOR	2200PF DC50V 10%	2
C51-C52	2011486	AL'UM. E'LYTIC. CAP.	BL,3300UF,50V,+20%,	2
C54	2005190	ELECTROLYTIC CAPACITOR	1000UF 6.3V 20%	1
C55	X236104010	FILM CAPACITOR	0.1UF 50V 5%	1
C56	2011481	AL'UM. E'LYTIC. CAP.	TP,33UF,16V,+20%,	1
C57	2003109	AL'UM. E'LYTIC. CAP.	470UF 6.3V 20%	1
C58	2003142	FILM CAPACITOR	0.01UF 50V 5%	1
C59	X220223310	CERAMIC CAPACITOR	330PF DC50V 10%	1
C8	2011121	CERAMIC CAPACITOR	BL,2200PF,250V,+20%,	1
C82	X224221031	CERAMIC CAPACITOR	0.01UF DC50V +80-20%	1
DB1	2018998	DIODE BRIDGE	600V,4A,0W,	1
D1-D2	X320011449	DIODE	40V 0.6A 0.2W	2
D31	2013050	DIODE		1
D51	1013213	HEAT SINK		1
D51	2011459	DIODE	100V 11A	1
D52	2004284	DIODE	200V,0.5A,0W,	1
D55	2019126	DIODE		1
D81-D86	X320011201	DIODE	SI 60V 150MA	6
F1	X502100100	FUSE HOLDER		2
F1	2018883	FUSE	250V,3.15A,	1
IC1	2001638	VOLTAGE REGULATOR		1
IC51	X440034940	LINEAR IC	BIPOLAR SWREG DIP	1
IC52	X440072920	IC	BIPOLAR DUAL C'TOR	1
L1	2008358	COIL	25MH	1
L51	2019837	CHOKE COIL	470UH,700MA,	1
PC1	2013130	PHOTO COUPLER	0V,0A,0W,	1
Q1	X510180360	INSULATION SPACER		1
Q1	X520000160	HEAT SINK		1
Q1	2011458	FET	900V,7A,150W,	1
Q1-D51	B300204311	C.B.S. SCREW	M3X8	2
Q2	2000623	TRANSISTOR	50V 2A 900MW	1
Q3-Q53	X300101589	TRANSISTOR	PNP 50V 150MA 400MW	2
Q31	2018987	FET	30V,1A,1W,	1
Q32	2018986	TRANSISTOR	50V,100MA,0W,56,0,	1
Q51	X300168009	TRANSISTOR, 2SA1680-TPE6	PNP 50V 2A 900MW	1
Q54	X302181589	TRANSISTOR	NPN 50V 150MA 400MW	1
Q55	2018985	TRANSISTOR	50V,100MA,0W,0,0,	1
Q81-Q82	2018984	TRANSISTOR	50V,100MA,0W,0,0,	2
R1	2018992	CARBON FILM RESISTOR	TP,510KOHM,1/2W,+5%,	1
R11	2010173	CARBON FILM RESISTOR	240 OHM 1/2W 5%	1
R12	X120340042	HIGH STAB. METAL FILM RESISTOR	0.39 OHM 3W 1%	1
R13-R21-	X155414722	CARBON FILM RESISTOR	4.7K OHM	2
R14	X155415112	CARBON FILM RESISTOR	510 OHM 1/4W 5%	1
R15	X155411212	CARBON FILM RESISTOR	120 OHM 1/4W 5%	1
R16-R57	X155412712	CARBON FILM RESISTOR	270 OHM 1/4W 5%	2
R18-R28-	2011470	CARBON FILM RESISTOR	TP,68KOHM,1/2W,+5%,	2
R19-R32-	X155412032	CARBON FILM RESISTOR	20K OHM 1/4W 5%	2
R20-R64	X155412422	CARBON FILM RESISTOR	2.4K OHM 1/4W 5%	2
R22-R29	2012560	CARBON FILM RESISTOR	TP,1.2MOHM,1/2W,+5%,	2
R31-R68-	X155411032	CARBON FILM RESISTOR	10K OHM 1/4W 5%	2
R33-R55-	X155412032	CARBON FILM RESISTOR	20K OHM 1/4W 5%	2
R34	2011470	CARBON FILM RESISTOR	TP,68KOHM,1/2W,+5%,	1
R51	2003105	METAL OXIDE FILM RESISTOR	470 OHM 2W 5%	1

# EPSON

## LQ2170 Spares Guide Version 3

Page 4

REF	PART NO	DESCRIPTION	REMARKS	QTY
R53	2025579	METAL FILM RESISTOR	TP,0.51OHM,1W,+5%	1
R54-R82	X155412022	CARBON FILM RESISTOR	2K OHM 1/4W 5%	2
R56	X155411512	CARBON FILM RESISTOR	150 OHM 1/4W 5%	1
R58-R66	X155412042	CARBON FILM RESISTOR	200K OHM 1/4W 5%	2
R59	X143194751	HIGH STAB. METAL FILM RESISTOR	4.75K OHM 1/4W 1%	1
R60	X155414722	CARBON FILM RESISTOR	4.7K OHM	1
R61	X155413012	CARBON FILM RESISTOR	300 OHM 1/4W 5%	1
R63-R87	X155413622	CARBON FILM RESISTOR	3.6K OHM 1/4W 5%	2
R65-R84	X155412032	CARBON FILM RESISTOR	20K OHM 1/4W 5%	2
R67	X155413022	CARBON FILM RESISTOR	3K OHM 1/4W 5%	1
R69-R71	X155411522	CARBON FILM RESISTOR	1.5K OHM 1/4W 5%	2
R70-R74	X155411032	CARBON FILM RESISTOR	10K OHM 1/4W 5%	2
R72	X155416222	CARBON FILM RESISTOR	6.2K OHM 1/4W 5%	1
R73-R89	X155411222	CARBON FILM RESISTOR	1.2K OHM 1/4W 5%	2
R75	X155412722	CARBON FILM RESISTOR	2.7K OHM 1/4W 5%	1
R81	X143198452	HIGH STAB. METAL FILM RESISTOR	84.5K OHM 1/4W 1%	1
R83	X155415132	CARBON FILM RESISTOR	51K OHM 1/4W 5%	1
R85	X155412032	CARBON FILM RESISTOR	20K OHM 1/4W 5%	1
R86	X155412742	CARBON FILM RESISTOR	270K OHM 1/4W 5%	1
R90	X155411222	CARBON FILM RESISTOR	1.2K OHM 1/4W 5%	1
R91	X155410102	CARBON FILM RESISTOR	1 OHM 1/4W 5%	1
TH1-TH2	2018882	THERMISTOR		2
T1	2019019	TRANSFORMER		1
ZD51-ZD54	2011463	ZENER DIODE	150MA 400MW 6.9V 7.2V	2
ZD52-ZD87	2018990	ZENER DIODE		2
ZD53-ZD86	2011464	ZENER DIODE	150MA 400W 6.9V 7.2V	2
ZD55	2004320	ZENER DIODE	150MA 400MW 5.2W 5.5V	1
ZD81-ZD85	2011463	ZENER DIODE	150MA 400MW 6.9V 7.2V	5
330	2018862	HARNESS		1
380	2021422	FAN		1
400	2006741	POWER CABLE (BS31303SA-SR-10A)	240V	1
400	2018866	POWER CABLE ASSY		1
401	2018861	HARNESS		1
450	2018827	BOARD ASSY., PANEL		1
500	2020579	PRINTER MECH.(ASP), M-5N60-100		1
501	1025190	FRAME ASSY., RIGHT		1
502	1025191	FRAME ASSY., LEFT		1
503	2019033	MOTOR, CR	DC3.0V/1.1A/3.3W	1
504	1025199	RD ASSY.		1
505	1032159	SHEET, PROTECT, FFC		1
511	2019034	MOTOR, PF	DC6.4V/0.4A/2,6W	1
521	2019017	HARNESS, PG		1
522	2021854	DETECTOR, HP	4V,50MA,100MW,	1
523	2019016	HARNESS, HP		1
524	2014328	CONNECTOR SWITCH;B		4
525	1025321	PAPER GUIDE		1
526	1025322	SHAFT, RELEASE		1
527	2019010	HARNESS, PE, FRONT		1
528	2019009	HARNESS, PE, REAR		1
529	1025324	LEVER, PE, SUPPORT		1
530	2019011	DETECTOR, PE, FRONT	0V,0A,0W,	1
531	1005727	DETECTOR ASSY., REAR		1
532	1005213	ROLLER, PF, DRIVEN, LOWER		5
533	1025249	ROLLER ASSY., PF		5
534	1005215	EXTENSION SPRING, 70		5
535	1025363	COMPRESSION SPRING, 10.8		5
536	1025192	CARRIAGE ASSY.		1
538	1025344	COVER, CR		1
539	1025348	BUSHING, 14		1
541	1025246	TRACTOR ASSY., REAR		1
542	1025293	TRACTOR, LEFT		2
543	1025294	TRACTOR, RIGHT		2
544	1025291	SHAFT, TR, DRIVE		2
545	1025292	SHAFT, TR, GUIDE		2
546	1025287	FRAME, TR, LEFT		1
547	1025288	FRAME, TR, RIGHT		1
548	1025289	LEVER, TR, LEFT, REAR		1

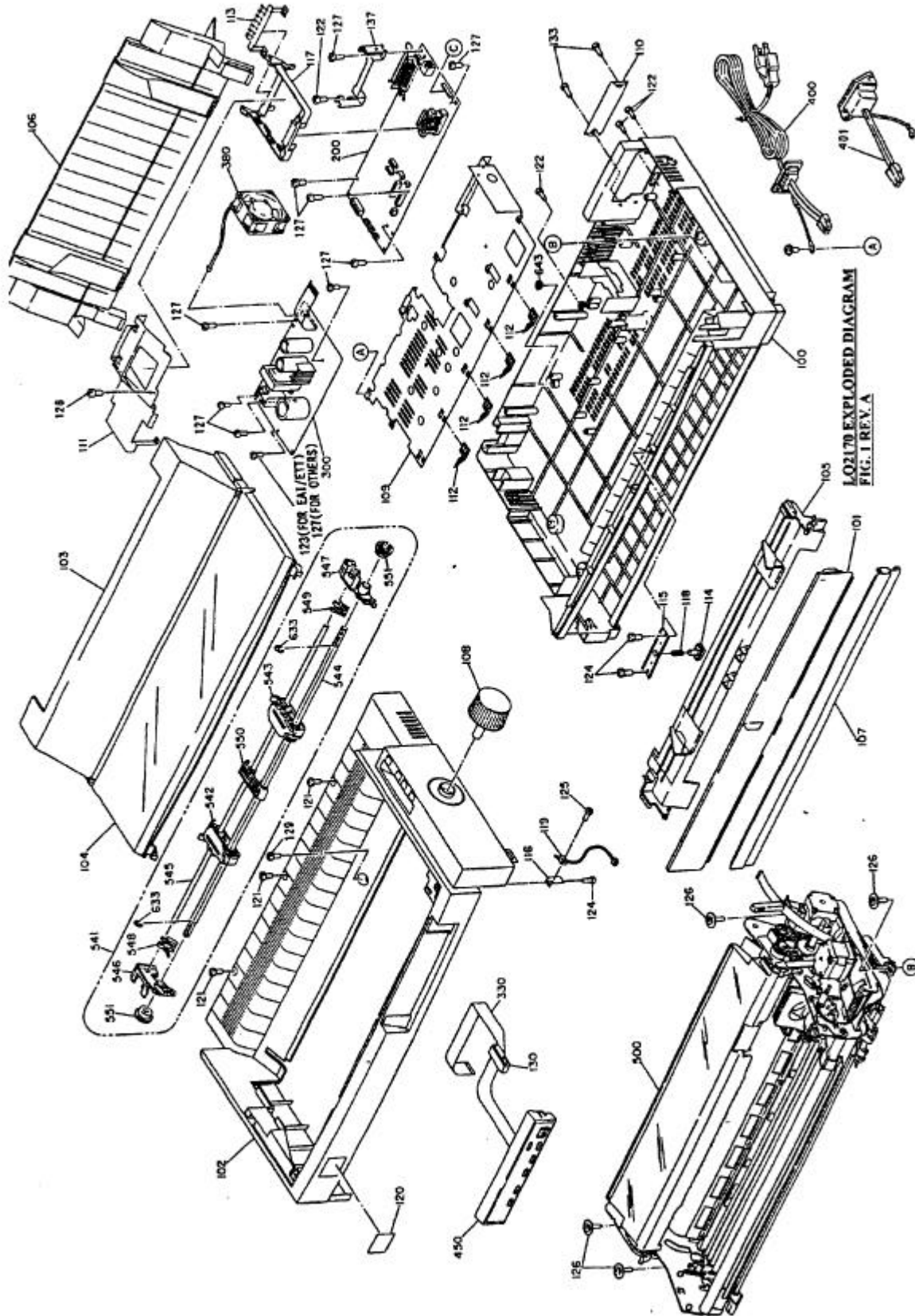
REF	PART NO	DESCRIPTION	REMARKS	QTY
549	1025290	LEVER, TR, RIGHT, REAR		1
550	1025296	PAPER SUPPORT		2
551	1025295	SPUR GEAR, 20		4
552	1025350	EXTENSION SPRING, 15.7		1
555	1025248	PAPER EJECT ASSY.		1
556	1025301	COVER, PAPER EJECT		1
557	1029507	FRAME, PAPER EJECT, BASE		1
558	1025302	FRAME, PAPER EJECT, LEFT		1
559	1025303	FRAME, PAPER EJECT, RIGHT		1
560	1025306	ROLLER, PAPER EJECT, DRIVEN		5
561	1025310	SPUR GEAR, 15		1
562	1005245	SPUR GEAR, 18		1
564	1025305	ROLLER, PAPER EJECT, DRIVE		1
565	1025203	ROLLER ASSY., PF, DRIVE		1
566	1025334	HOLDER, HEAD, CABLE		1
567	2019013	CABLE, HEAD, LOWER		1
568	2019014	CABLE, HEAD, UPPER		1
569	1025355	BUSHING, 8, LEFT		1
570	1025284	PLATEN		1
571	1031612	SPUR GEAR, 36		1
572	1025285	BUSHING, 8, RIGHT		1
573	1025351	COVER, PLATEN		1
574	2018904	DETECTOR ASSY., PW		1
575	1025345	RIBBON MASK		1
576	1025352	PAPER GUIDE, SUPPORT		1
578	1025326	FRAME, REAR		1
579	1025327	FRAME, FRONT		1
580	1028578	FRAME, SUB, RIGHT		1
581	1025329	SHAFT, CR, GUIDE, REAR		1
582	1025330	SHAFT, CR, GUIDE, FRONT		1
583	1025331	BUSHING, PARALLEL, ADJUST		1
584	1025332	LEVER, GAP, ADJUST		1
585	1025333	CAP, LEVER		1
586	1025374	SHEET, RELEASE, CAP		1
587	1025349	MOUNTING PLATE, MOTOR, CR		1
588	1025346	HOLDER, RIBBON MASK		1
589	1027101	OIL PAD, LOWER		2
590	1025361	LEVER, RELEASE		1
591	1005220	CAM, CLUTCH, TRACTOR		1
592	1025335	BASE RUBBER		4
593	1025357	COMBINATION GEAR, 8, 30		1
594	1005224	SPUR GEAR, 27		1
595	1005225	SPUR GEAR, 34.5		2
596	1005226	SPUR GEAR, 34		1
597	B101253990	LEAF SPRING	8.2X0.25X15	1
598	1005218	INTERMITTENT GEAR		1
599	1025353	PAPER GUIDE, MIDDLE		1
600	1025354	PAPER GUIDE, FRONT		1
601	1005232	COMPRESSION SPRING, 200		2
602	1025360	SPUR GEAR, 21		1
603	1005844	LEVER, RELEASE, TRANSMISSION		1
604	1030844	OIL PAD		2
605	1025343	HOLDER, DETECTOR, PG		1
606	1025364	LEVER, RELEASE, DETECTOR		1
607	1025375	GROUNDING PLATE, , PG, MIDDLE		1
608	1026439	SHEET, RELEASE, CAP, SUB		1
609	1026551	HOLDER, CABLE		1
610	1026620	COVER, DRIVEN PULLEY		1
611	B010303411	C.B.SCREW	M3X8	2
612	1025311	GROUNDING PLATE, PAPER EJECT		1
613	1005416	SHAFT, MOUNT, CR		2
614	B010302211	C.B.SCREW	M2.5X5	1
617	1025356	LEAF SPRING, CR		1
620	1025323	LEVER, DETECTOR, PE, REAR		1
621	1025247	TRACTOR ASSY., FRONT		1
622	1025287	FRAME, TR, LEFT		1
623	1025288	FRAME, TR, RIGHT		1

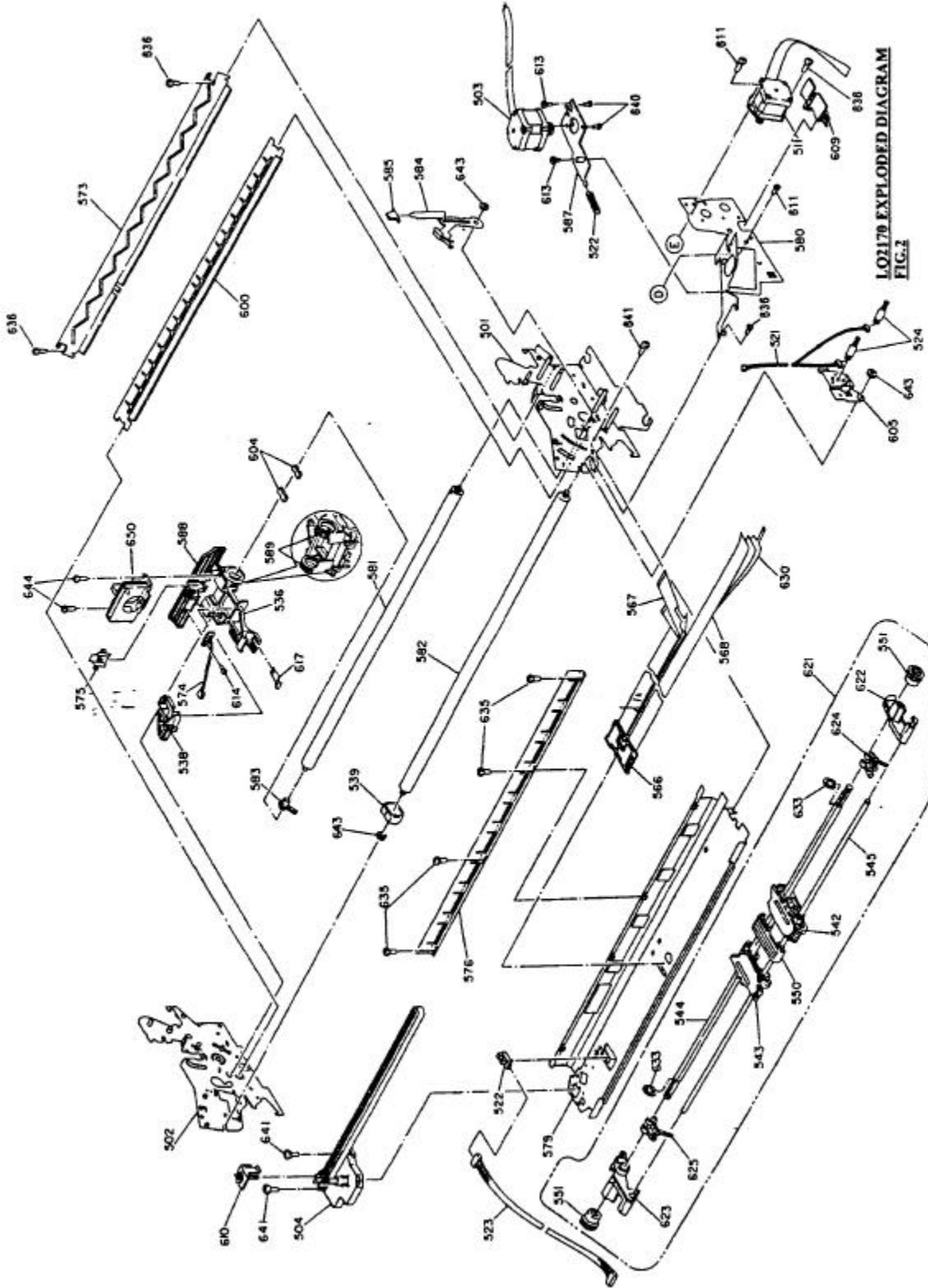
# EPSON

## LQ2170 Spares Guide Version 3

Page 6

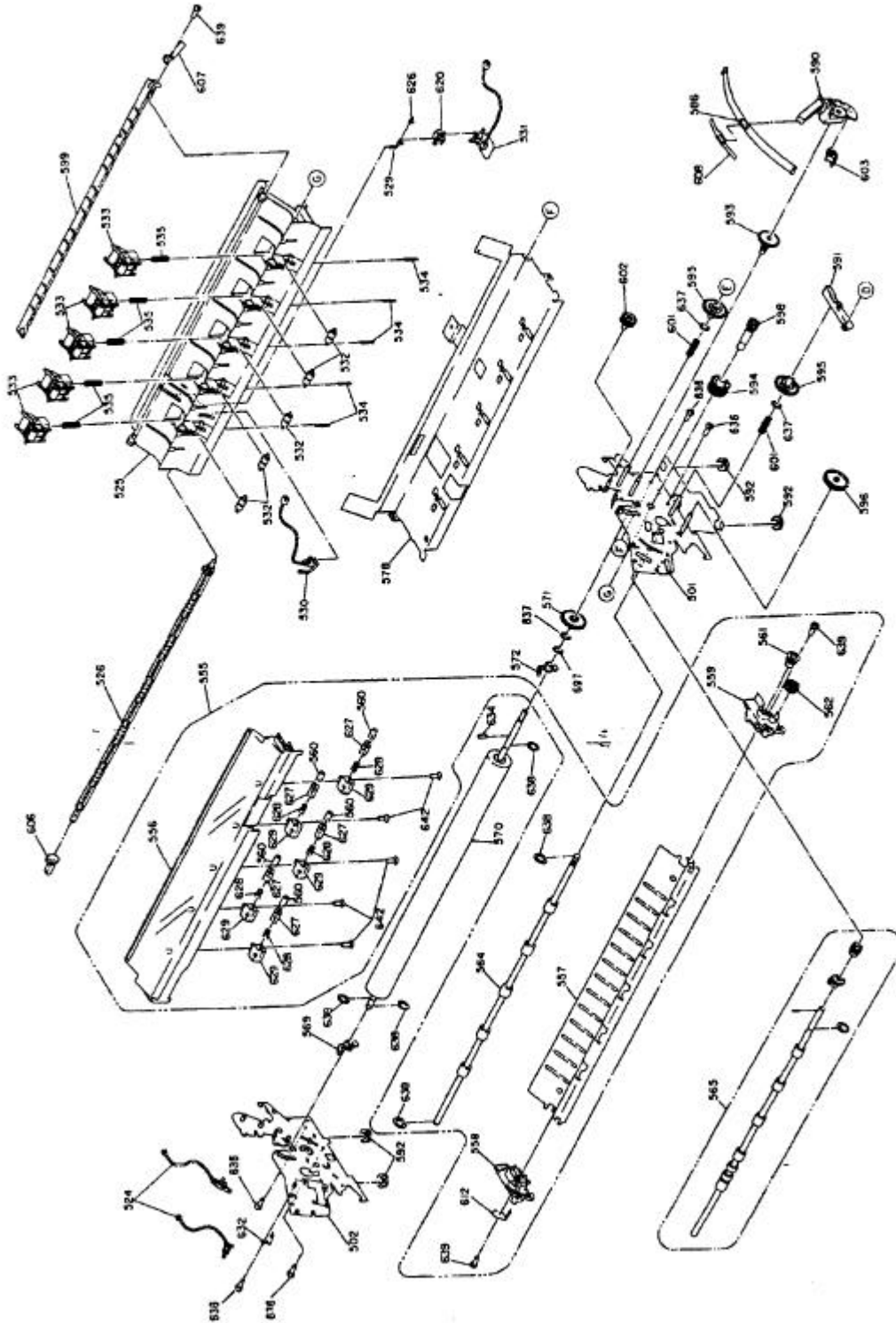
REF	PART NO	DESCRIPTION	REMARKS	QTY
624	1025299	LEVER, TR, LEFT, FRONT		1
625	1025300	LEVER, TR, RIGHT, FRONT		1
626	1025325	TORSION SPRING, 0.26		1
627	1025307	HOLDER, PAPER EJECT, DRIVEN		5
628	1025309	COMPRESSION SPRING, 1.08		5
629	1025308	HOLDER, PAPER EJECT, SPRING		5
630	2019015	CABLE, DETECTOR		1
631	2019030	HARNES, RE		1
632	1026741	GUIDE, PAPER EJECT		1
633	B150300911	RETAINING RING	TYPE-E(6)	2
634	1031702	SPRING PIN, 2X18, F/B		1
635	B302704211	C.P.S.P.S. SCREW	M3X6	4
636	B300204211	C.B.S. SCREW	M3X6	9
637	B100166012	PLAIN WASHER	8X0.5X15	3
638	B160101412	RETAINING RING	TYPE-C	5
639	1006901	C.B.C-LAMITITE	M3X8	2
640	B010303311	C.B.SCREW	M3X6	2
641	B300204311	C.B.S. SCREW	M3X8	3
642	1019830	C.F.P-TITE SCREW, 2.6X8, F/ZN		5
643	B070200411	HEXAGON NUT	M4	3
644	B300204411	C.B.S. SCREW	M3X10	2
650	F050000	PRINT HEAD, DH24-0A0		1
1	5004613	IND. CARTON BOX FOR EUROPE		1
2	5004454	OUTER CARTON BOX		1
3	5004641	PAD, PRINTER		1
4	5004464	PAD, PRINTER, BOTTOM		1
5	5004465	PAD, FRAME, R		1
6	5004466	PAD, FRAME, L		1
7	5006431	PAD, PLATEN, R		1
8	5006432	PAD, PLATEN, L		1
9	5004469	PAD, CR		1
10	5004617	PAD, FRONT SHEET GUIDE		1
11	5004615	PAD, PAPER EJECT ASSY., LEFT		1
12	5004616	PAD, PAPER EJECT ASSY., CENTRE		1
13	5004617	PAD, FRONT SHEET GUIDE		1
14	5005180	PLASTIC BAG/800X950X0.08T		1
15	X680058010	PLASTIC BAG	270X700X0.04	1
16	5004646	PAD, LEVER, RELEASE		1
END				



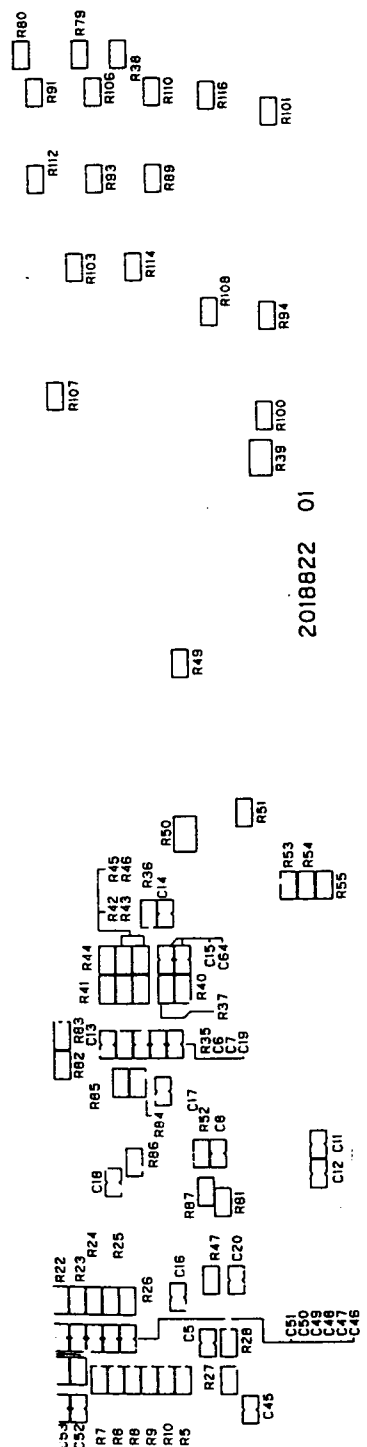


LQ2170 EXPLODED DIAGRAM  
FIG. 2

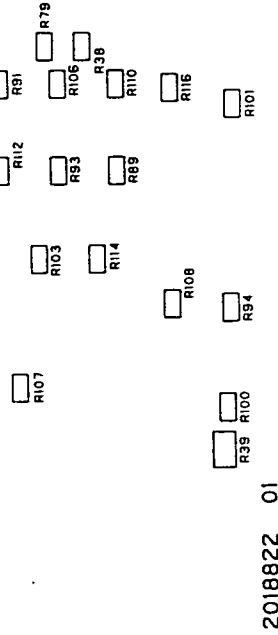
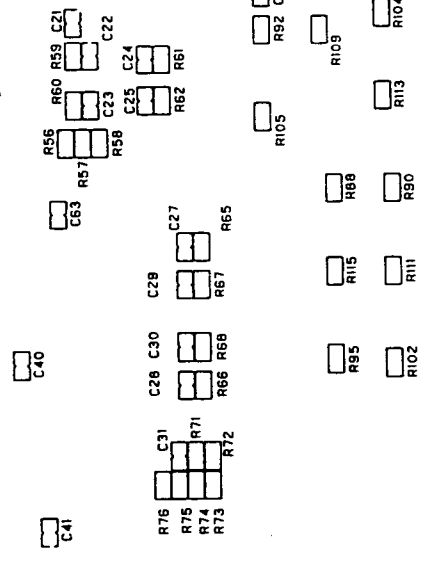




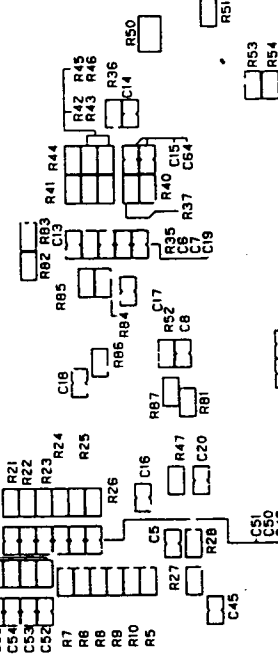
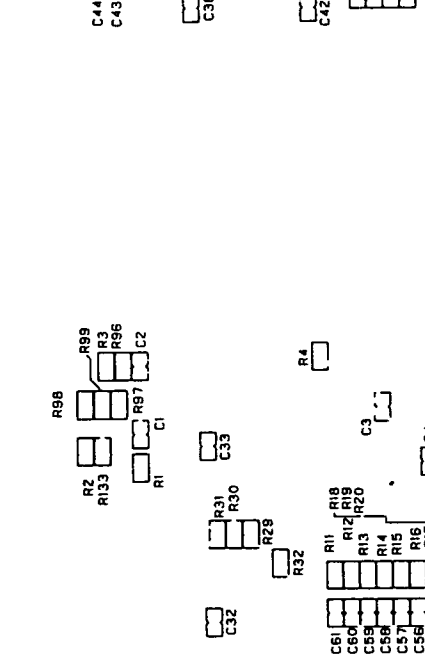
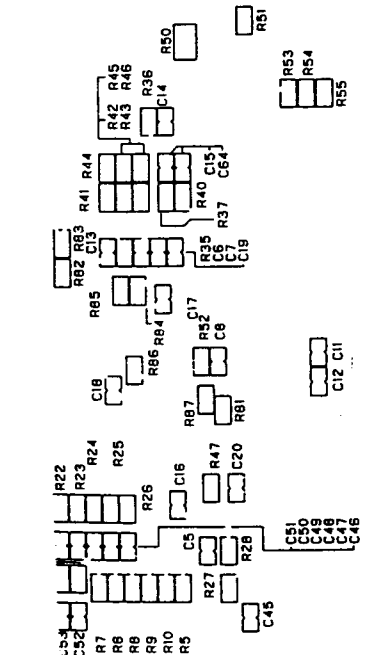
LQ2170 EXPLODED DIAGRAM  
FIG. 3



2018822 01



2018822 01

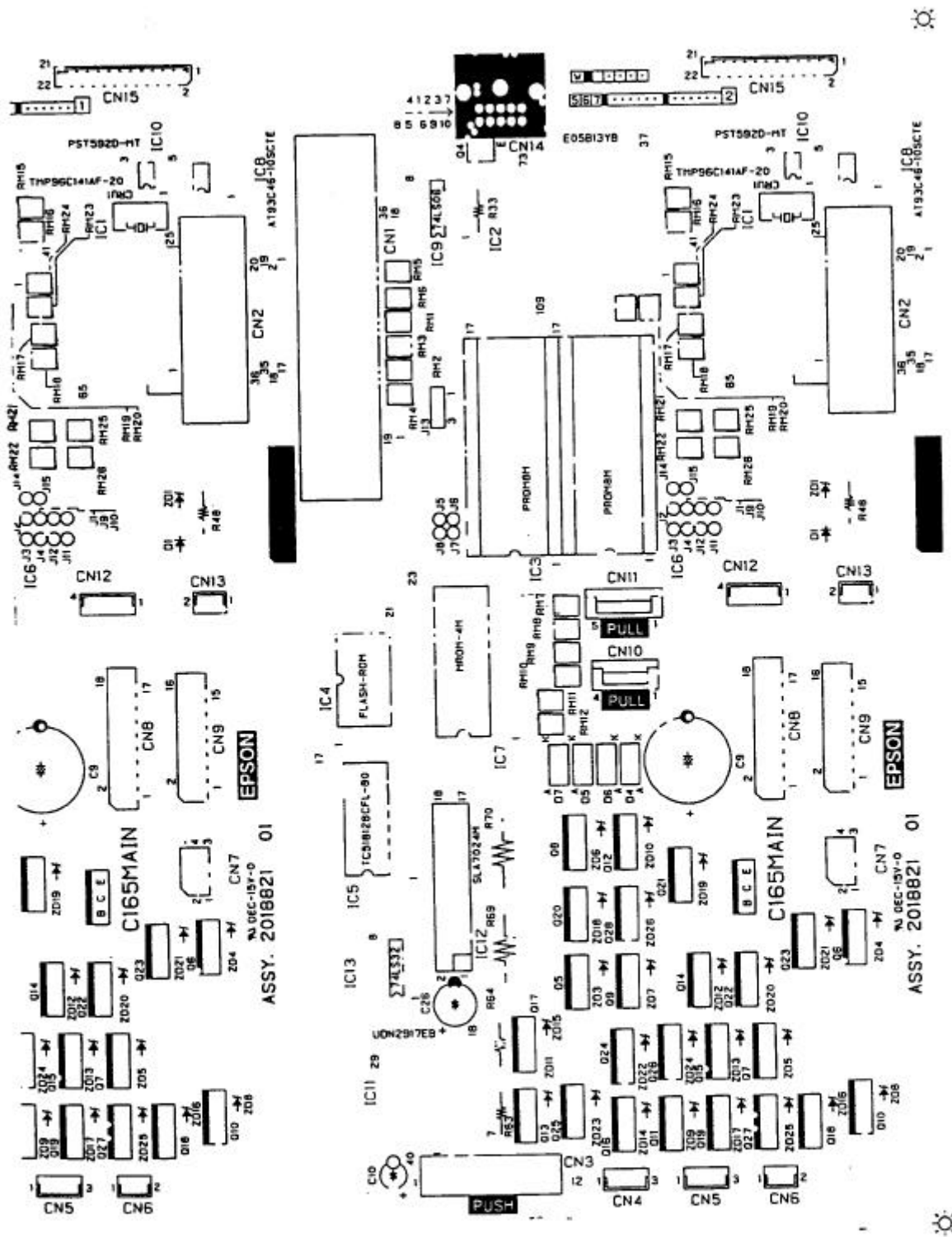


2018822 01



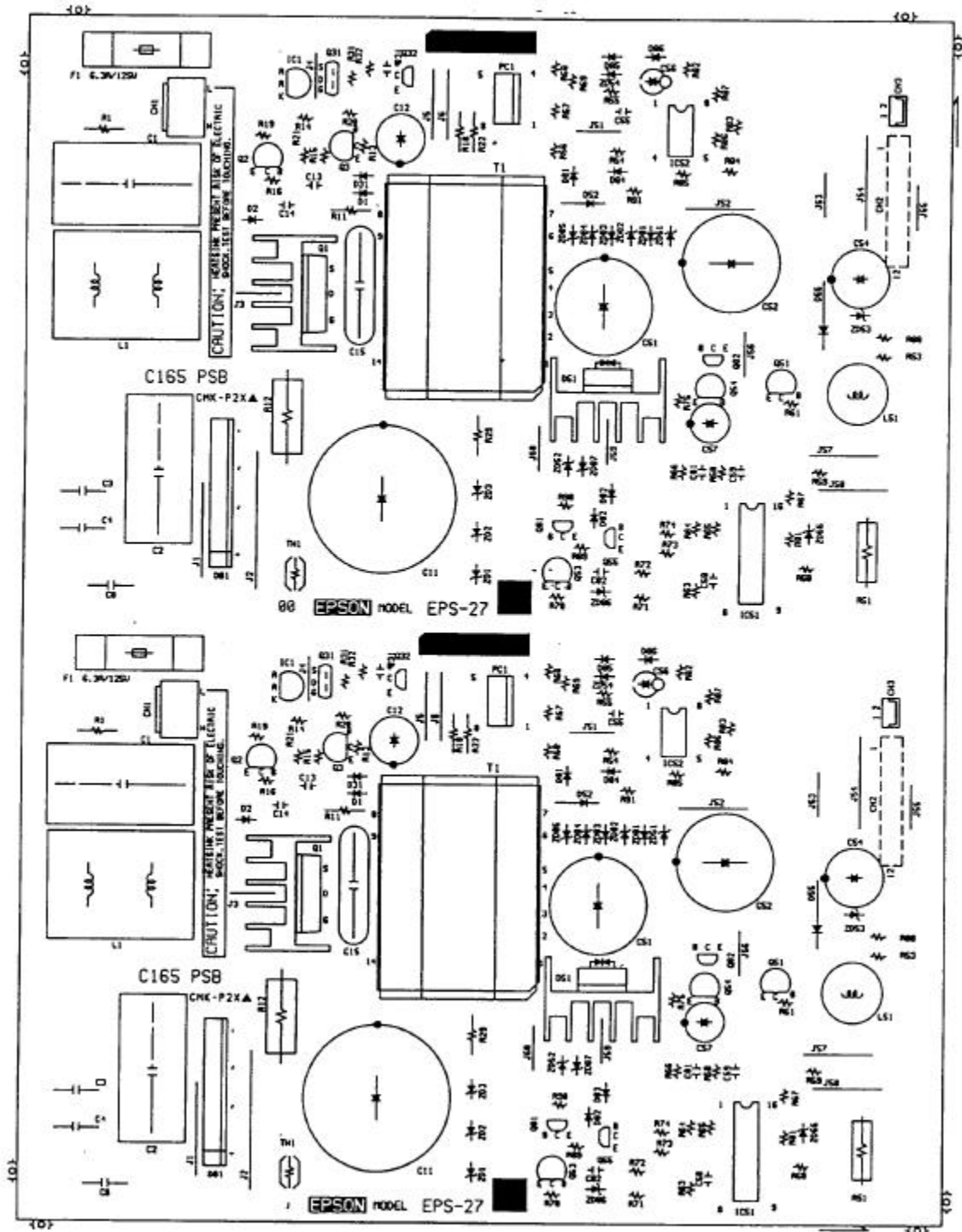
LQ2170 MAIN BOARD (BOTTOM)



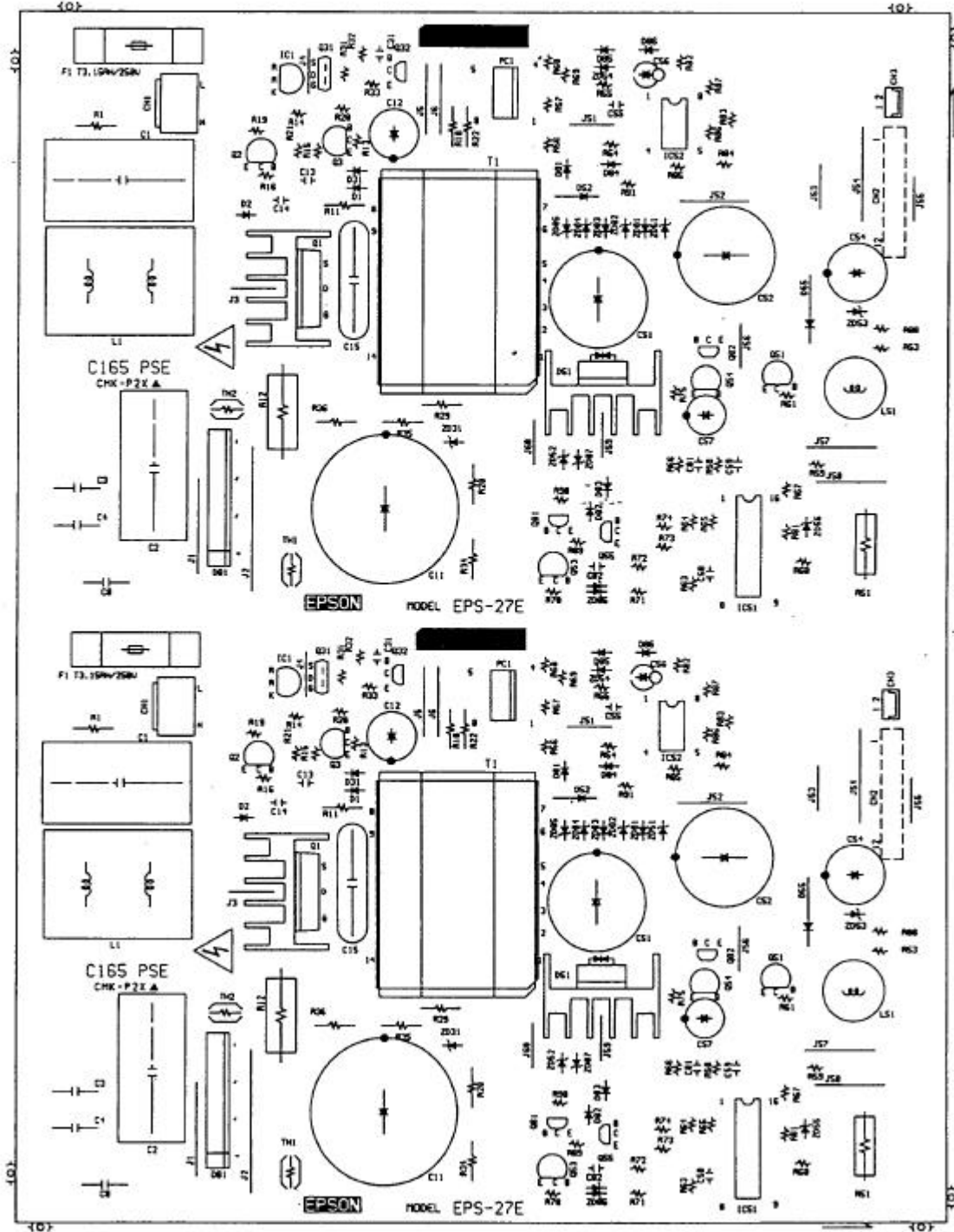


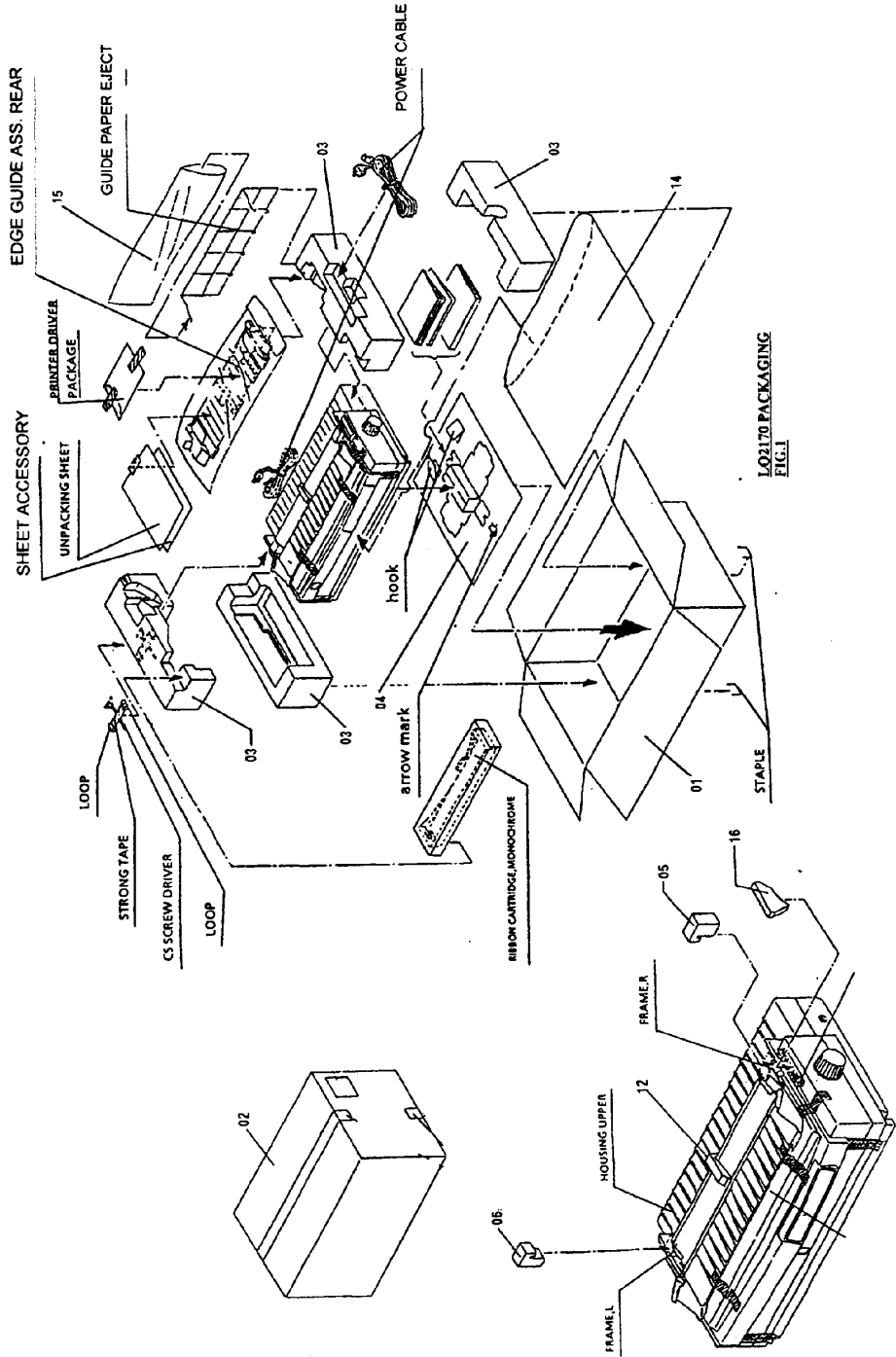
LQ2170 MAIN BOARD (TOP)

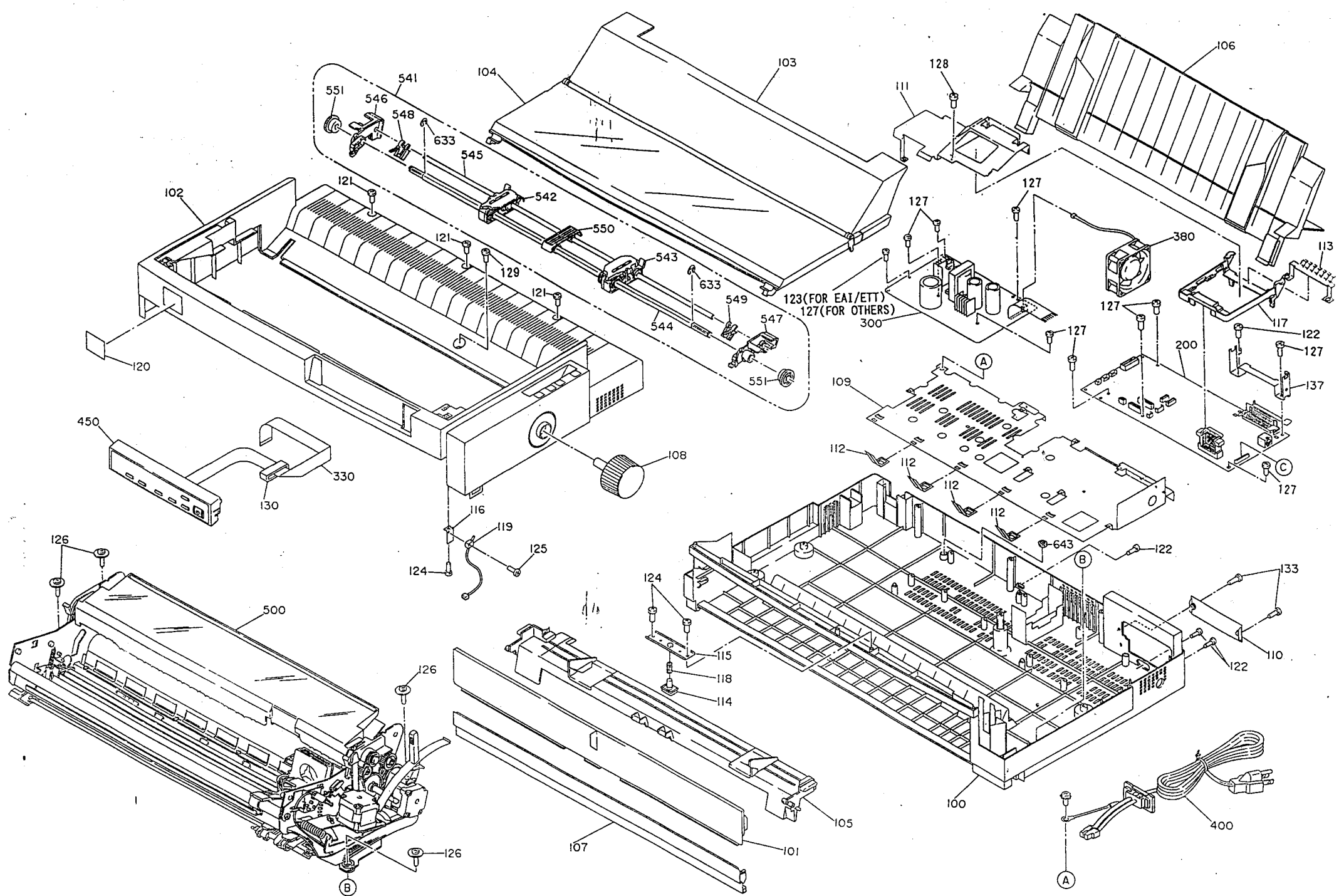
BOARD ASSY., PSB (LQ-2170)



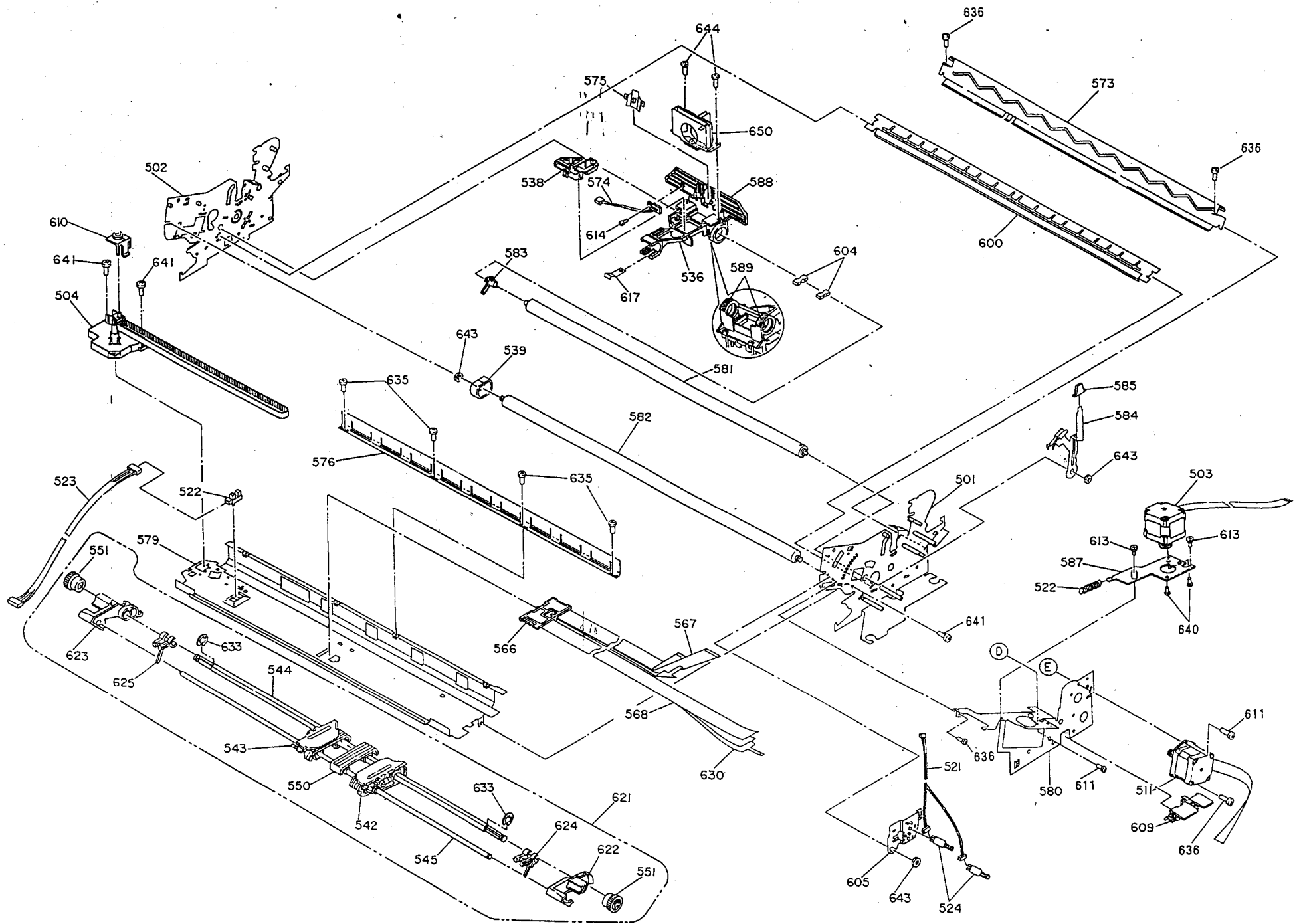
BOARD ASSY., PSE (LQ-2170)





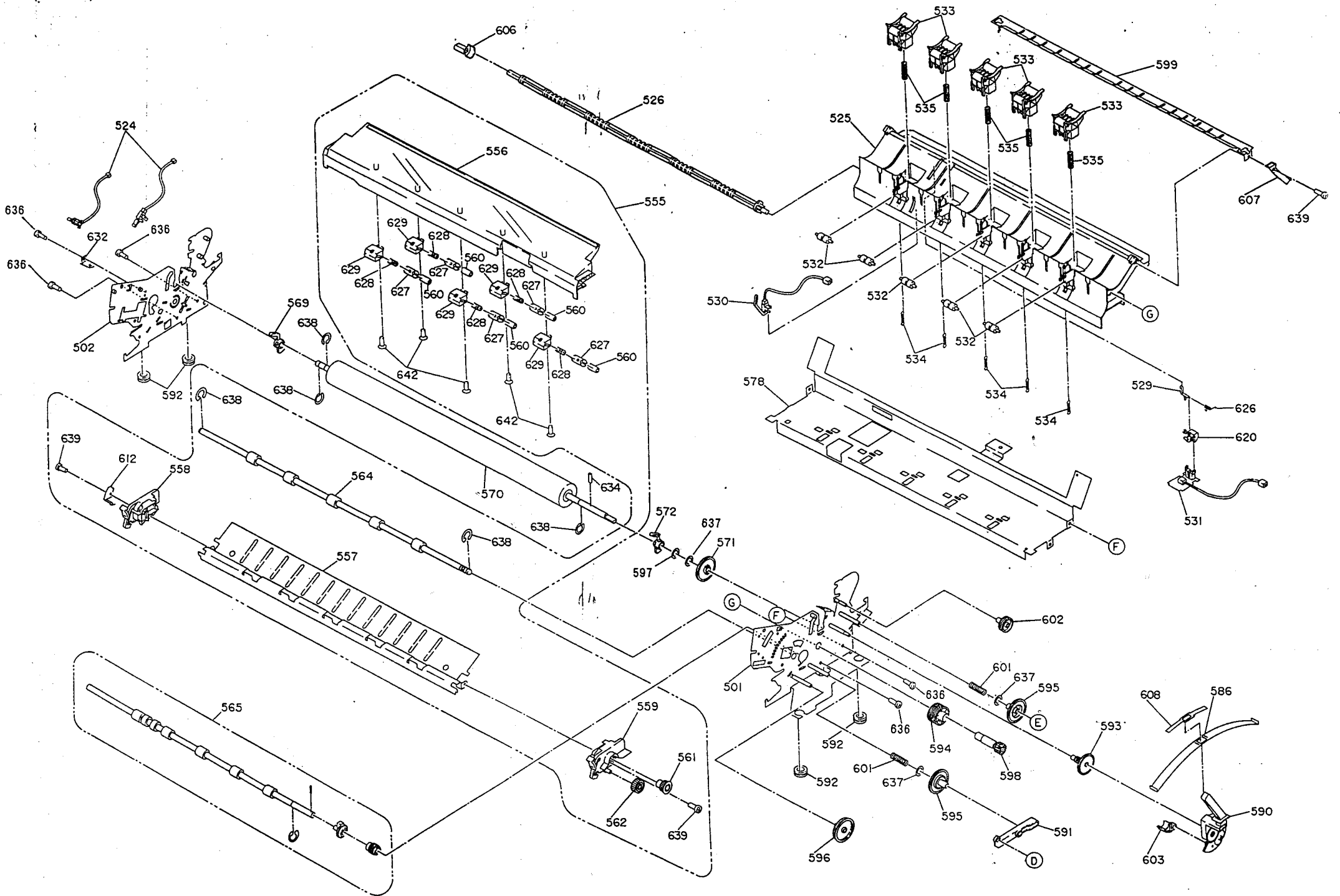


EXPLODED DIAGRAM FOR LQ-2170 (I)



EXPLODED DIAGRAM FOR LQ-2170 (2)





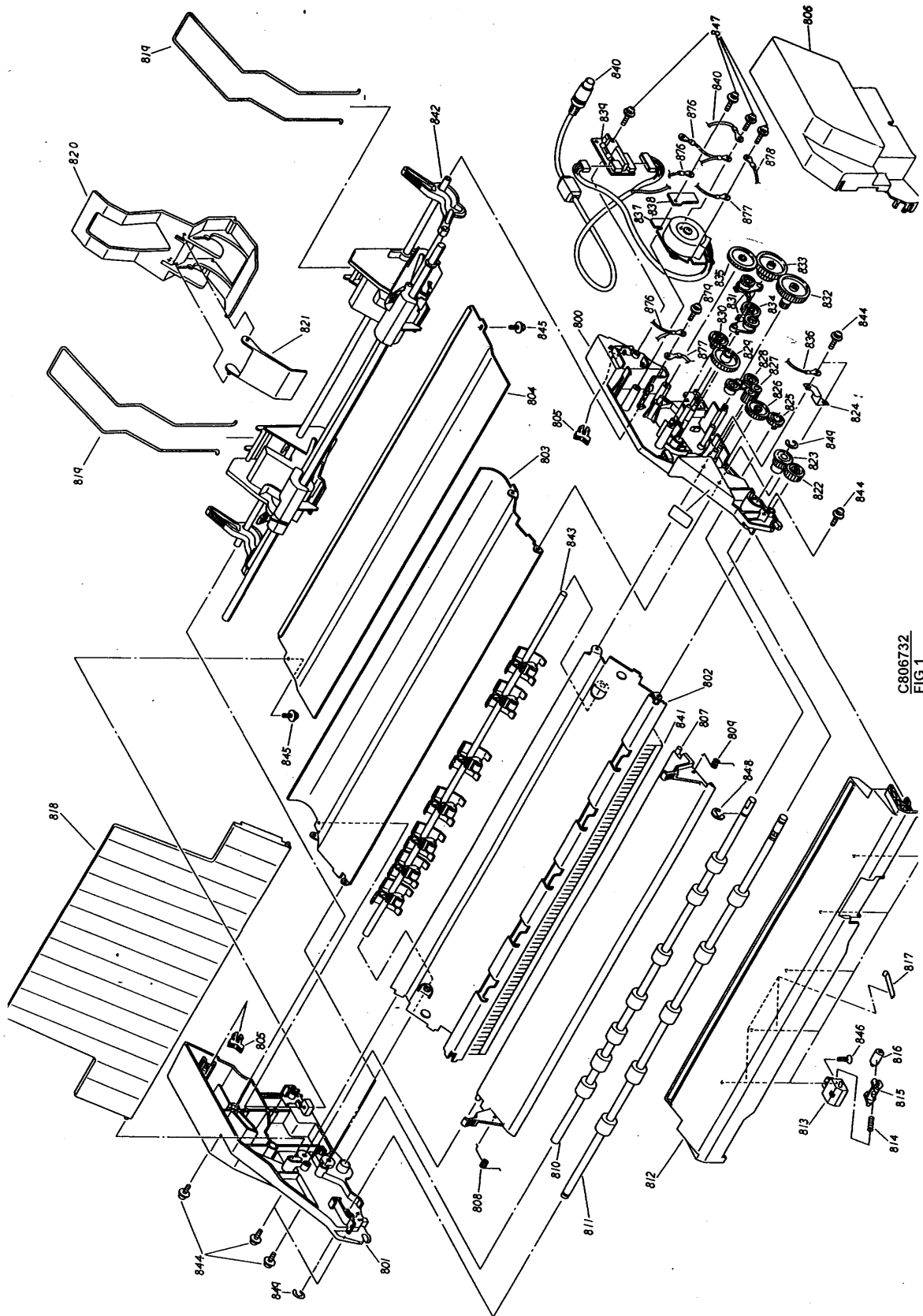
EXPLODED DIAGRAM FOR LQ-2170 (3)

## C806732 (HIGH CAP. C.S.F. FX/LQ2170/2180/LQ2070)

REF	PART NO	DESCRIPTION	QTY
800	1027002	FRAME, CSF, RIGHT	1
801	1027003	FRAME, CSF, LEFT	1
802	1027011	FRAME, CSF, FRONT	1
803	1027014	PAPER GUIDE, CSF, ABOVE	1
804	1027016	PAPER GUIDE, CSF, BELOW	1
805	1027047	CLAMP, SIMPLE, MOUNT	2
806	1027006	COVER, GEAR LINE	1
807	1027037	FRAME, CHANGE, PAPER EJECT	1
808	1027038	SPRING, FRAME, LEFT	1
809	1027039	SPRING, FRAME, RIGHT	1
810	1027081	SHAFT ASSEMBLY, PAPER LOAD SUPPORT	1
811	1025305	ROLLER, PAPER EJECT, DRIVE	1
812	1027026	COVER, PAPER EJECT	1
813	1025308	HOLDER, PAPER EJECT, SPRING	6
814	1027049	SPRING, PAPER EJECT	6
815	1025307	HOLDER, PAPER EJECT, DRIVEN	6
816	1025306	ROLLER, PAPER EJECT, DRIVEN	6
817	1027036	FILM, PAPER EJECT	2
818	1027025	PAPER SUPPORT, PAPER EJECT	1
819	F334701151	HOPPER PAPER STAND	2
820	1027023	PAPER SUPPORT, CSF, CENTRE	1
821	1027024	PAPER SUPPORT, CSF, CENTRE SUPPORT	1
822	1005245	SPUR GEAR, 18	1
823	1025310	SPUR GEAR, 15	1
824	1027040	METAL FITTING, MOUNT	1
825	1006269	GEAR 15.5	1
826	F348701110	PAPER EJECTING DRIVER GEAR A	1
827	1027022	SPUR GEAR, D=10	2
828	1027078	LEVER ASSEMBLY, CSF PLANET, SUPPORT	1
829	1006272	GEAR 29	1
830	Y593701050	DRIVER GEAR A	1
831	1027079	LEVER ASSEMBLY, CSF PLANET	2
832	1027027	COMBINATION GEAR D=8.5/33	1
833	1027028	COMBINATION GEAR D=20/33.5	1
834	F344701110	PAPER EJECTING DRIVER GEAR	1
835	1006267	GEAR D=30	1
836	2020195	MOUNT, MOTOR	1
837	2020197	MOTOR ASSEMBLY, CSF	1
838	1027119	SHEET, MOTOR	1
839	2020198	P.C.B. ASSEMBLY, CSF	1
840	2020196	HARNESS, CONNECTION	1
841	1027120	BRUSH, ANTI-STATIC	1
842	1027071	HOPPER ASSEMBLY	1
843	1027076	SHAFT ASSEMBLY, IDLER LEVER	1
844	1011990	C.T.P.B.SCREW	8
845	B302104411	C.P.S.(P) SCREW	2
846	1019830	C.F.P-TITE SCREW, 2.6X8, F/ZN	5
847	1025569	C.B.P-TITE(S-P2), 3X12, F/ZN	4
848	B150300911	RETAINING RING	2
849	B160101412	RETAINING RING	2
850	1006286	SLIDER, CSF, LEFT	1
851	1006287	SLIDER, CSF, RIGHT	1
852	1006293	LEVER, SLIDER, FIXING, LEFT	1
853	1006342	LEVER, SLIDER, FIXING, RIGHT	1

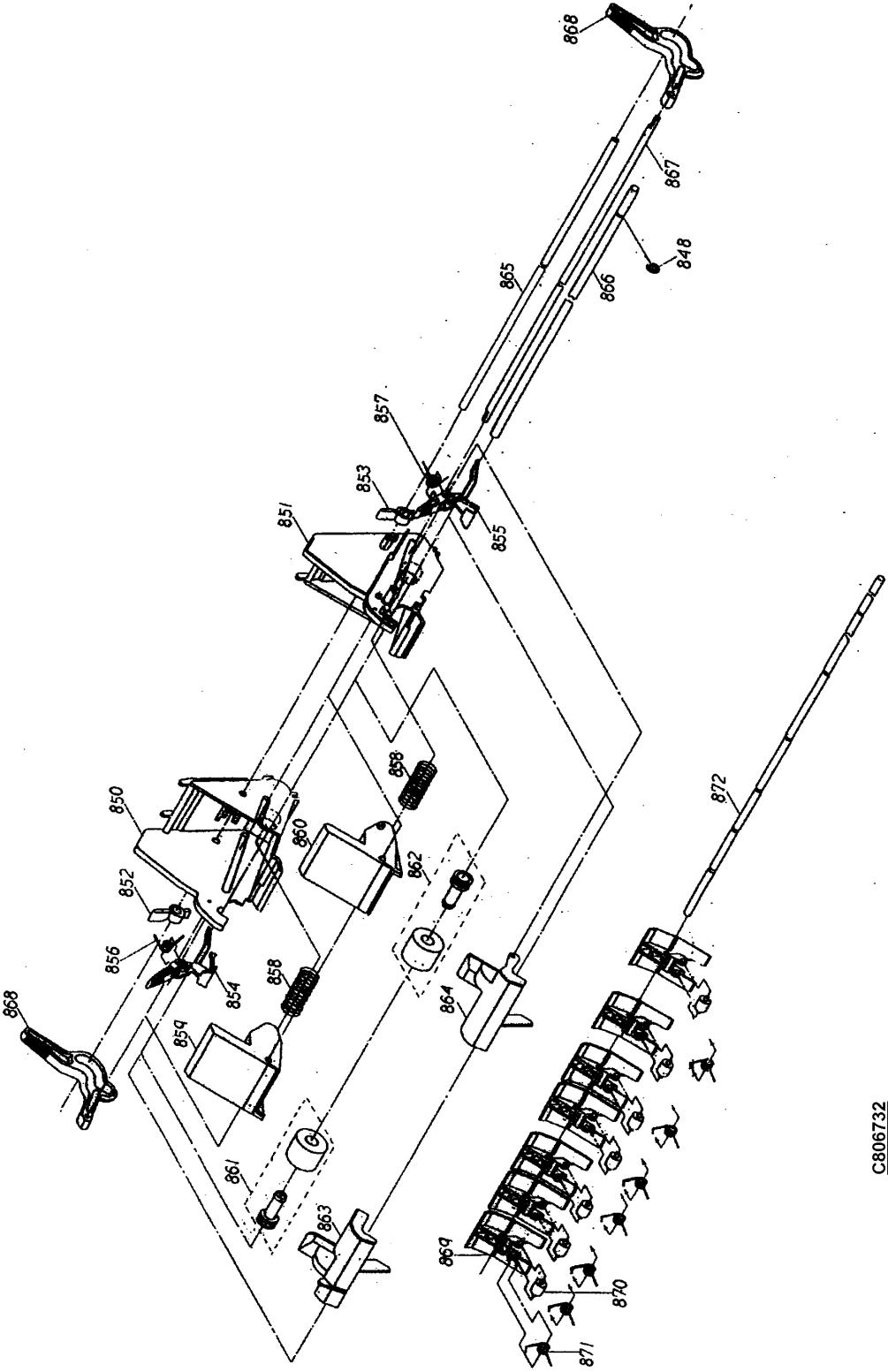


# EPSON C806732 HIGH CAP. C.S.F.



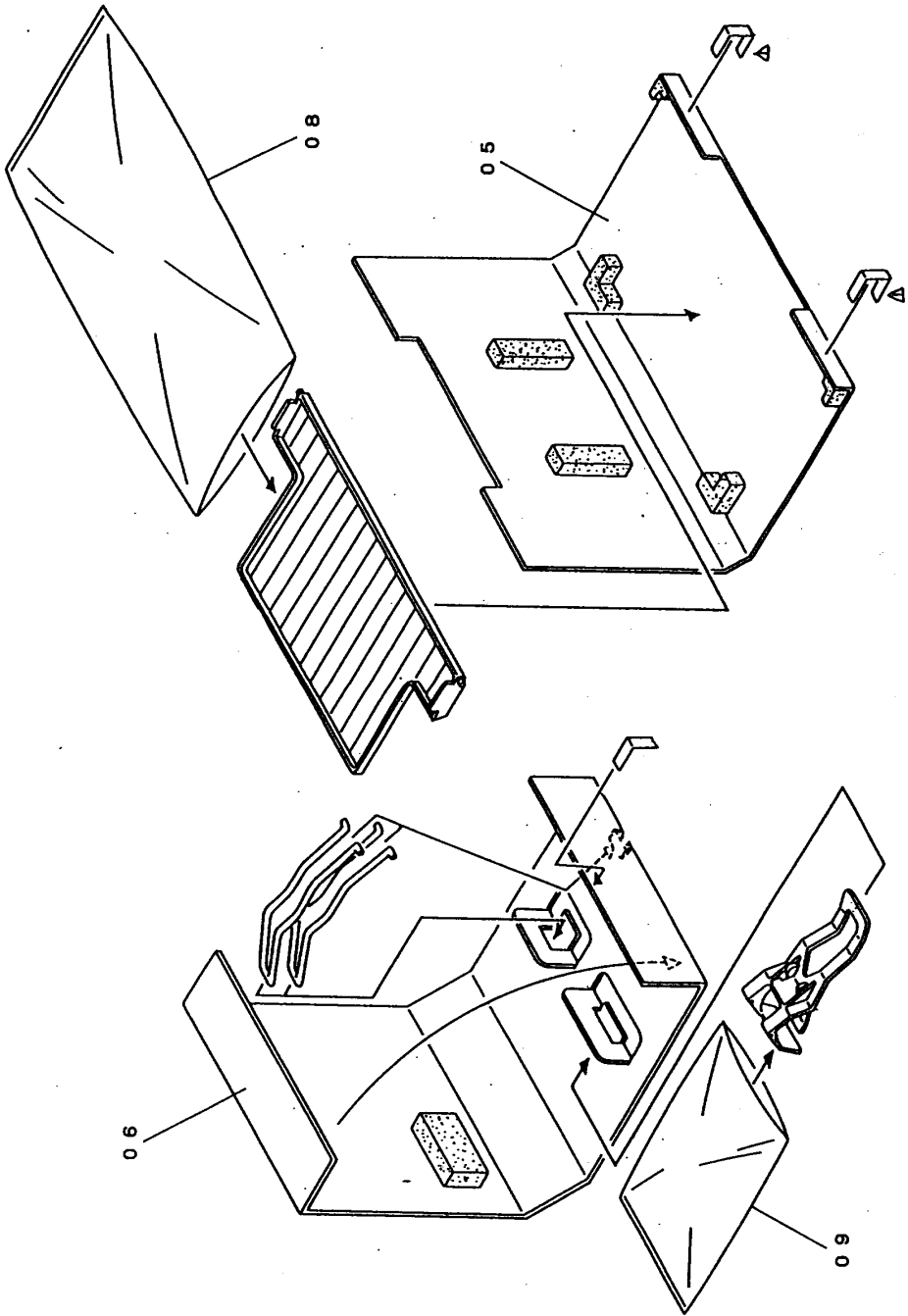
C806732  
FIG. 1

# EPSON C806732 HIGH CAP. C.S.F.



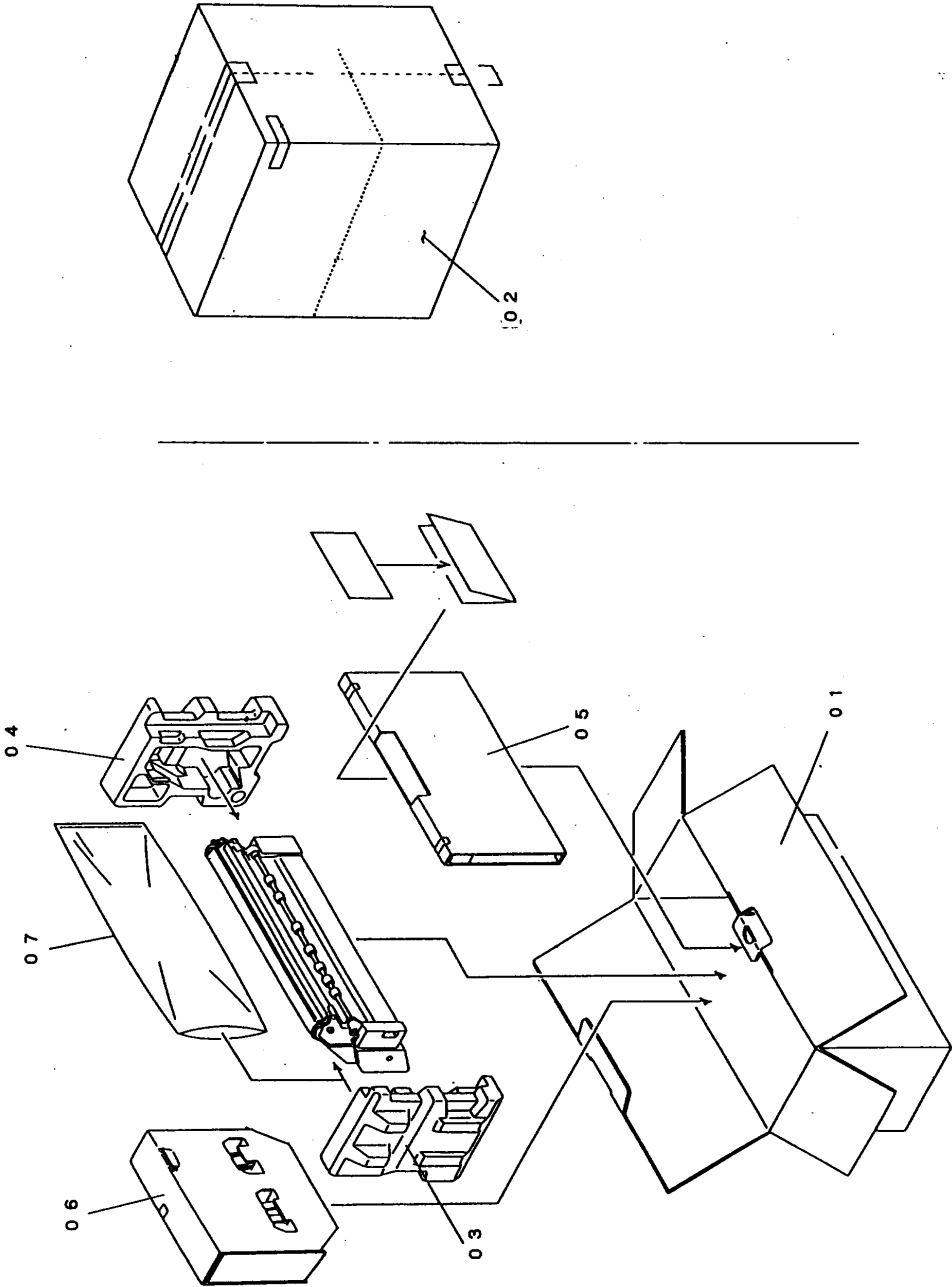
C806732  
FIG. 2

EPSON  
C806732 HIGH CAP. C.S.F.



C806732 PACKAGING (1)  
FIG. 3

# EPSON C806732 HIGH CAP. C.S.F.



C806732 PACKAGING (2)  
FIG.4