

EPSON LQ2070

Page 1 of 15
SPARES GUIDE VERSION 2

REF	PART NO.	DESCRIPTION	QTY	STANDARD
100	1025018	HOUSING ASSY.LOWER	1	
101	1025039	COVER FRONT	1	
102	1028345	HOUSING UPPER	1	
103	1028340	COVER PRINTER REAR	1	
104	1028579	COVER ASSY.PRINTER	1	
105	1025034	EDGE GUIDE ASSY.FRONT	1	
106	1028580	EDGE GUIDE ASSY.REAR	1	
N/A	1028344	PAPER GUIDE EJECT	1	SEE PACKING DIAGRAM
107	1025043	COVER BOTTOM	1	
108	1028342	KNOB	1	
109	1025044	SHIELD PLATE	1	
110	1002045	COVER CONNECTOR UPPER	1	
111	1026742	SHIELD PLATE UPPER E	1	
112	1005480	GROUNDING PLATE	4	
113	1025669	GROUNDING PLATE I/F	1	
114	1026336	STOPPER COVER FRONT	1	
115	1026337	COVER COMPRESSION SPRING	1	
116	1026338	HOLDER DETECTOR	1	
117	1006374	GUIDE I/F BOARD	1	
118	1026339	COMPRESSION SPRING 2.94	1	
119	2018967	DETECTOR ASSY.CASE OPEN	1	
120	1028997	LOGO PLATE	1	
121	B310206511	C.B.B. SCREW	4	M4X14
122	1006901	C.B.C-LAMITITE	4	M3X8
123	B310204511	C.B.B. SCREW	1	M3X12 EXC. ETT EAI
123	1009376	RIVET B-TITE(SCREW TYPE)	1	3X12 F/ZN ETT/EAI
124	B310204311	C.B.B. SCREW	3	M3X8
125	B010350211	C.B.SCREW	1	M2X7
126	1025409	MECH. MOUNTING SCREW	4	
127	B310204511	C.B.B. SCREW	9	M3X12
128	B070200411	HEXAGON NUT	1	M4
129	B310206419	C.B.B. SCREW	1	M4X12
130	2020073	FERRITE CORE	1	
133	1002674	C.B.S-TITE SCREW	2	M3X12
137	1011863	GROUNDING PLATE I/F UPPER	1	
380	2021422	FAN	1	
200	2021665	BOARD ASSY.MAIN	1	
IC3	2022141	EP-ROM TDD04	1	2M BIT
CN1	2020397	CONNECTOR 0-178042-1	1	36
CN10	2017936	CONNECTOR	1	4
CN11	2005108	CONNECTOR	1	5 PIN
CN12	2003680	CONNECTOR	1	2
CN13	2003678	CONNECTOR	1	2
CN14	2011241	CONNECTOR	1	10 OHM
CN15	2017940	CONNECTOR	1	22
CN16	2003679	CONNECTOR	1	2
CN2	2007160	CONNECTOR	1	36PIN
CN3	2019114	CONNECTOR	1	10
CN4	X600440310	CONNECTOR	1	3 PIN
CN5	20070973	CONNECTOR	1	
CN6	X600440120	CONNECTOR	1	2 PIN
CN7	20191114	CONNECTOR	1	
CN8	2004450	CONNECTOR	1	17
CN9	2004449	CONNECTOR	1	15
CRU1	2019110	CERAMIC OSCILLATOR	1	17.2MHZ
C1-C3-C4	2002486	CHIP CAPACITOR	3	0.1UF DC25V +80% -20%
C10	X200561009	AL'UM.E'LYTIC. CAP.	1	10UF DC50V 20%
C12-C33	2002486	CHIP CAPACITOR	2	0.1UF DC25V +80% -20%
C13-C14	2011661	CHIP CAPACITOR	2	TP39PF50V+-5%

EPSON LQ2070

Page 2 of 15

C15-C21	2002486	CHIP CAPACITOR	7	0.1UF DC25V +80% -20%
C2C8C27	X271124711	CHIP CAPACITOR	3	470PF 50V 10%
C22-C25	2003274	CHIP ELYTIC CAP.	4	
C26	X200561019	ALUM.ELYTIC. CAP.	1	100UF 50V 20%
C28-C75	X271124711	CHIP CAPACITOR	2	470PF 50V 10%
C29-C30	X271122221	CHIP CAPACITOR	2	2200PF DC50V 10
C32	2006348	CHIP CAPACITOR	1	0.1UF 50V TP
C34-C37	2010653	CHIP CAPACITOR	4	470PF 220V 10%
C38-C45	2002486	CHIP CAPACITOR	8	0.1UF DC25V +80%
C46-C51	X271121021	CHIP CERAMIC CAP.	6	1000PF DC50V 10%
C52-C61	2002493	CHIP CAPACITOR	0	
C6-C7-C11	2002486	CHIP CAPACITOR	3	0.1UF DC25V +80%
C62-C76	X27112102	CHIP CERAMIC CAP.	2	11000PF DC50V 10%
C63-C64	2002487	CHIP CAPACITOR	2	0.01UF 50V 10%
C65-C74	2002486	CHIP CAPACITOR	2	0.1UF DC25V +80% -20%
C66-C69	2010653	CHIP CAPACITOR	4	470PF 220V 10%
C70-C71	2002493	CHIP CAPACITOR	2	
C72-C73	2003619	CHIP CAPACITOR	2	
C9	X200561020	ALUM.ELYTIC. CAP.	1	BL 1000UF 50V 20%
D1	2006214	SWITCHING DIODE	1	
D4-D7	2017977	DIODE	4	
IC1	2018877	MICROCONTROLLER	1	8BIT
IC10	2009451	RESET IC	1	SOP 4
IC11-IC14	2019090	HIC	2	
IC12	2000592	HYBRID IC	1	
IC13	X462713968	C-MOS IC	1	
IC2	2021390	GATE ARRAY	1	
IC3-IC6	X630113230	IC SOCKET	2	32 PIN
IC5	2015936	PSRAM	1	
IC7	2021130	MASK ROMLH5348VK	1	4MBIT
IC8	2013161	EEPROM	1	1K BIT8 PIN
IC9	X422350069	TTL-IC SN74LS06NS-TPL	1	
QM10	2021400	TRANSISTOR ARRAY	1	0V0 MA0W
QM7-QM9	2021399	TRANSISTOR ARRAY	3	0V0 MA0W
Q1-Q24	2003986	TRANSISTOR	24	110V2A20W1000 0
Q25	2011623	TRANSISTOR	1	50V100MA200MW1000
RM1-RM2	2007898	CHIP RESISTOR ARRAY	2	10K OHM 1/16W 5%
RM15-RM18	2009784	CHIP RESISTOR ARRAY	4	47 OHM 1/16W 5%
RM19RM20	2009208	CHIP RESISTOR ARRAY	2	100 OHM 1/16W 5%
RM21-RM26	2009784	CHIP RESISTOR ARRAY	6	47 OHM 1/16W 5%
RM3-RM5	2007897	CHIP RESISTOR ARRAY	3	3.3K OHM 1/16W 5%
RM6	2014643	CHIPRESISTOR ARRAY	1	TP1.8KOHM1/16W+-5%
RM7-RM12	2019123	CHIP RESISTOR ARRAY	6	TP2KOHM1/16W+-5%
R1	2008818	CHIP RESISTOR	1	TP1.8KOHM1/10W+-5%
R11-R20	X193013312	CHIP RESISTOR	10	330 OHM 1/10W 5% TP
R117-R121	2017904	CHIP RESISTOR	2	TP5.49KOHM1/10W+-1%
R118-R122	X194601212	CHIP RESISTOR	2	12.1K OHM 1/10W 1%
R119-R123	2021394TP3	CHIP RESISTOR	2	5.7KOHM1/10W+-1%
R120-R124	X194601822	CHIP RESISTOR	2	18.2K OHM 1/10W 1%
R125-R126	2011722	CHIP RESISTOR	2	909 OHM 1/10W 1%
R127-R128	2021395	CHIP RESISTOR	2	TP37.4KOHM1/10W+-1%
R133	2001531	CHIP RESISTOR	1	3.3 OHM 1/10W 5%
R134-R147	2001520	CHIP RESISTOR	14	100 OHM 1/10W 5%
R148	2001517	CHIP RESISTOR	1	47 OHM 1/10W 5%
R2-R100	2005302	CHIP RESISTOR	2	3.9K OHM
R21-R26	X193011032	CHIP RESISTOR ERJ-6GEYJ103V	6	10K OHM 1/10W 5%
R29-R32	X193012022	CHIP RESISTOR	4	2K OHM 1/10W 5%
R3	2006215	CHIP RESISTOR	1	180 OHM 1/10W 5%
R33	2019097	METAL OXIDE FILM RESISTOR	1	BL47OHM1/2W+-5%
R35-R37	X193011032	CHIP RESISTOR ERJ-6GEYJ103V	3	10K OHM 1/10W 5%

EPSON LQ2070

Shaded rows indicate major items

Page 3 of 15

R38	2005570	CHIP RESISTOR	1	6.2K OHM 1/10W 5% TP
R39	2013177	CHIP RESISTOR	1	TP180OHM1/4W+-5%
R4-R10	2001531	CHIP RESISTOR	7	3.3 OHM 1/10W 5%
R40-R43	X193011032	CHIP RESISTOR ERJ-6GEYJ103V	4	10K OHM 1/10W 5%
R44-R46	2005570	CHIP RESISTOR	3	6.2K OHM 1/10W 5% TP
R47R61	X193011022	CHIP RESISTOR ERJ-6GEYJ102V	2	1K OHM 1/10W 5%
R48	2019103	METAL OXIDE FILM RESISTOR	1	BL5.1KOHM1/2W+-5%
R49	2018193	CHIP RESISTOR	1	TP1.21KOHM1/10W+-1%
R50	2009184	CHIP RESISTOR	1	16K OHM 1/4W 0.5%
R51	2009183	CHIP RESISTOR	1	2K OHM 1/10W 0.5%
R52	X193011032	CHIP RESISTOR ERJ-6GEYJ103V	1	10K OHM 1/10W 5%
R53-R55	X193011022	CHIP RESISTOR ERJ-6GEYJ102V	3	1K OHM 1/10W 5%
R57	2016944	CHIP RESISTOR	1	TP1.6KOHM1/10W+-1%
R58	2006217	CHIP RESISTOR	1	2.43K OHM 1/10W %
R59-R60	2005470	CHIP RESISTOR	2	56K OHM 1/10W 5%
R62-R81	X193011022	CHIP RESISTOR ERJ-6GEYJ102V	2	1K OHM 1/10W 5%
R63-R64	2019101	METAL OXIDE FILM RESISTOR	2	BL0.33OHM1/2W+-2%
R65-R66	2001538	CHIP RESISTOR	2	47K OHM 1/10W 5%
R67-R68	2001530	CHIP RESISTOR	2	2.4K OHM 1/10W 5%
R69-R70	X120220686	METAL OXIDE FILM RESISTOR	2	0.68 OHM 2W 5%
R77-R79	2001535	CHIP RESISTOR	2	15K OHM 1/10W 5%
R78R80	2001521	CHIP RESISTOR	2	200 OHM 1/10W 5%
R82-R86	2017539	CHIP RESISTOR	5	
R87	2004274	CHIP RESISTOR	1	220 OHM
R96	X193011022	CHIP RESISTOR ERJ-6GEYJ102V	1	1K OHM 1/10W 5%
R97-R99	X193011032	CHIP RESISTOR ERJ-6GEYJ103V	3	10K OHM 1/10W 5%
ZD1	X330160109	ZENER DIODE	1	4.7+-0.05V 0.15A 0.4A
ZD2-ZD3	2021444	ZENER DIODE	2	
ZD4	2021724	ZENER DIODE	1	
450	2021486	BOARD ASSY.PANEL	1	
300	2020932	BOARD ASSY.P/S 220/240V	1	
CN1	2000295	CONNECTOR	1	2 PIN
CN2	2018864	HARNESS	1	
CN3	X600440120	CONNECTOR	1	2 PIN
C1	2001137	FILM CAPACITOR	1	0.47UF 250V 20%
C11	2019129	ALUM.ELYTIC. CAP.	1	BL400UF180V+- 0%
C12	2018996	ALUM.ELYTIC. CAP.	1	TP220UF35V+-20%
C13	2003140	FILM CAPACITOR	1	4700PF 50V 5%
C14	2001087	PLASTIC FILM CAPACITOR	1	2200PF 50V 5%
C15	2019005	FILM CAPACITOR	1	BL750PF1.5KV+-5
C2	X2345110	CERAMIC CAPACITOR	1	440.1UF 250V 20%
C3C4C8	2011121	CERAMIC CAPACITOR	3	BL2200PF250V+-20%
C31C81	X220222220	CERAMIC CAPACITOR	2	2200PF DC50V 10%
C51C52	2003131	ALUM.ELYTIC. CAP.	2	2200UF 50V 20%
C54	2005190	ELECTROLYTIC CAPACITOR	1	1000UF 6.3V 20%
C55	X236104010	FILM CAPACITOR	1	0.1UF 50V 5%
C56	2011481	ALUM.ELYTIC. CAP.	1	TP33UF16V+-20%
C57	2003109	ALUM.ELYTIC. CAP.	1	470UF 6.3V 20%
C58	2003142	FILM CAPACITOR	1	0.01UF 50V 5%
C59	X220223310	CERAMIC CAPACITOR	1	330PF DC50V 10%
C82	X224221031	CERAMIC CAPACITOR	1	0.01UF DC50V+-80-20%
DB1	2010688	DIODE BRIDGE	1	
D1	2013050	DIODE	1	
D2	X320011449	DIODE	1	40V 0.6A 0.2W
D51	1013213	HEAT SINK	1	
D51	2011510	DIODE	1	100V5A0W
D52	2004284	DIODE	1	200V0.5A0W
D55	2019126	DIODE	1	

EPSON LQ2070

Page 4 of 15

D81-D86	X320011201	DIODE	6	SI 60V 150MA
F1	X502100100	FUSE HOLDER	2	
F1	2019130	FUSE	1	250V 2A
IC1	2001638	VOLTAGE REGULATOR	1	
IC51	X440034940	LINEAR IC	1	BIPOLAR SWREG DI
IC52	X440072920	IC	1	BIPOLAR DUAL CTOR
L1	2019131	CHOKE COIL	1	15MH800MA
L51	2019837	CHOKE COIL	1	470UH700MA
PC1	2013130	PHOTO COUPLER	1	0V0A0W
Q1	X520000160	HEAT SINKER	1	
Q1	2019003	FET	1	900V3A0W
Q1D51	B300204311	C.B.S. SCREW	2	M3X8
Q2	2000623	TRANSISTOR	1	50V 2A 900MW
Q3-Q53	X300101589	TRANSISTOR	2	PNP 50V 150MA 400MW
Q31	2018987	FET	1	30V1A1W
Q32	2018986	TRANSISTOR	1	50V100MA0W560
Q51	X300168009	TRANSISTOR 2SA1680-TPE6	1	PNP 50V 2A 900MW
Q54	X302181589	TRANSISTOR	1	NPN 50V 150MA 400MW
Q55	201898550V	TRANSISTOR	1	100MA0W00
Q81-Q82	2018984	TRANSISTOR	2	50V 100MA0W00
R1	2011119	CARBON FILM RESISTOR	1	TP1MOHM1/2W+-5%
R11	X1554110	CARBON FILM RESISTOR	1	221K OHM 1/4W 5%
R12	X120220626	METAL OXIDE FILM RESISTOR	1	0.62 OHM 2W 5%
R13R21	X155414722	CARBON FILM RESISTOR	2	4.7K OHM
R14	X155415112	CARBON FILM RESISTOR	1	510 OHM 1/4W 5%
R15	X155411212	CARBON FILM RESISTOR	1	120 OHM 1/4W 5%
R16R57	X155412712	CARBON FILM RESISTOR	2	270 OHM 1/4W 5%
R18R28	2011471	CARBON FILM RESISTOR	2	TP150KOHM1/2W+-5%
R19R32	X15541203	CARBON FILM RESISTOR	2	220K OHM 1/4W 5%
R20R64	X155412422	CARBON FILM RESISTOR	2	2.4K OHM 1/4W 5%
R22R29	2012559	CARBON FILM RESISTOR	2	TP1.1MOHM1/2W+-5%
R31R68	X155411032	CARBON FILM RESISTOR	2	10K OHM 1/4W 5%
R51	2003105	METAL OXIDE FILM RESISTOR	1	470 OHM 2W 5%
R53R88	X155410102	CARBON FILM RESISTOR	2	1 OHM 1/4W 5%
R54R82	X155412022	CARBON FILM RESISTOR	2	2K OHM 1/4W 5%
R55R65	X155412032	CARBON FILM RESISTOR	2	20K OHM 1/4W 5%
R56	X155411512	CARBON FILM RESISTOR	1	150 OHM 1/4W 5%
R58R66	X155412042	CARBON FILM RESISTOR	2	200K OHM 1/4W 5%
R59	X143194751	H/STAB.M/F RES.	1	4.75K OHM 1/4W 1%
R60	X155414722	CARBON FILM RESISTOR	1	4.7K OHM
R61	X155413012	CARBON FILM RESISTOR	1	300 OHM 1/4W 5%
R63-R87	X155413622	CARBON FILM RESISTOR	2	3.6K OHM 1/4W 5%
R67	X155413022	CARBON FILM RESISTOR	1	3K OHM 1/4W 5%
R69-R71	X155411522	CARBON FILM RESISTOR	2	1.5K OHM 1/4W 5%
R70-R74	X155411032	CARBON FILM RESISTOR	2	10K OHM 1/4W 5%
R72	X155416222	CARBON FILM RESISTOR	1	6.2K OHM 1/4W 5%
R73R89	X155411222	CARBON FILM RESISTOR	2	1.2K OHM 1/4W 5%
R75	X155412722	CARBON FILM RESISTOR	1	2.7K OHM 1/4W 5%
R81	X143198452	H/STAB.M/F RES.	1	84.5K OHM 1/4W 1%
R83	X155415132	CARBON FILM RESISTOR	1	51K OHM 1/4W 5%
R84R85	X155412032	CARBON FILM RESISTOR	2	20K OHM 1/4W 5%
R86	X155412742	CARBON FILM RESISTOR	1	270K OHM 1/4W 5%
R90	X155411222	CARBON FILM RESISTOR	1	1.2K OHM 1/4W 5
R91	X155410102	CARBON FILM RESISTOR	1	1 OHM 1/4W 5%
TH1TH2	2019006	THERMISTOR	2	
T1	2019021	TRANSFORMER	1	
ZD51-ZD54	2011463	ZENER DIODE	2	150MA 400MW 6.9V 7.2V
ZD52-ZD87	2018990	ZENER DIODE	2	
ZD53-ZD86	2011464	ZENER DIODE	2	150MA 400W 6.9V 7.2V
ZD55	2004320	ZENER DIODE	1	150MA 400MW 5.2W 5.5V

EPSON LQ2070

Shaded rows indicate major items

Page 5 of 15

ZD81-ZD85	2011463	ZENER DIODE	5	150MA 400MW 6.9V 7.2V
330	2021660	HARNESS	1	
400	2006741	PWR. CABLE (BS31303SA-SR-10A)	1	240V EUL
401	2018861	HARNESS	1	
500	2022338	MECH.(ASP)M-5N61-100	1	
501	1025190	FRAME ASSY.RIGHT	1	
502	1025191	FRAME ASSY.LEFT	1	
503	2021270	MOTOR CR	1	
504	1025199	RD ASSY.	1	
505	2021437	HARNESS PE LEFT	1	
506	2021438	HARNESS PE RIGHT	1	
511	2019034	MOTOR PF	1	
521	2019017	HARNESS PG	1	
522	2021854	DETECTOR HP	1	4V50MA100MW
523	2019016	HARNESS HP	1	
524	2014328	CONNECTOR SWITCH;B	3	
525	1025321	PAPER GUIDE	1	
526	1025322	SHAFT RELEASE	1	
527	2019010	HARNESS PE FRONT	1	
528	2019009	HARNESS PE REAR	1	
529	1025324	LEVER PE SUPPORT	1	
530	2019011	DETECTOR PE FRONT	1	0V0A0W
531	1005727	DETECTOR ASSY. REAR	1	
532	1005213	ROLLER PF DRIVEN LOWER	5	
533	1025249	ROLLER ASSY.PF	5	
534	1005215	EXTENSION SPRING 70	5	
535	1025363	COMPRESSION SPRING 10.8	5	
536	1028531	CARRIAGE ASSY.	1	
538	1025344	COVER CR	1	
539	1025348	BUSHING14	1	
541	1025246	TRACTOR ASSY.REAR	1	
542	1025293	TRACTOR LEFT	1	
543	1025294	TRACTOR RIGHT	1	
544	1025291	SHAFT TR DRIVE	1	
545	1025292	SHAFT TR GUIDE	1	
546	1025287	FRAME TR LEFT	1	
547	1025288	FRAME TR RIGHT	1	
548	1025289	LEVER TR LEFT REAR	1	
549	1025290	LEVER TR RIGHT REAR	1	
550	1025296	PAPER SUPPORT	1	
551	1025295	SPUR GEAR 20	2	
552	1025350	EXTENSION SPRING15.7	1	
555	1025248	PAPER EJECT ASSY.	1	
556	1025301	COVER PAPER EJECT	1	
557	1025304	FRAME PAPER EJECT BASE	1	
558	1025302	FRAME PAPER EJECT LEFT	1	
559	1025303	FRAME PAPER EJECT RIGHT	1	
560	1025306	ROLLER PAPER EJECT DRIVEN	5	
561	1025310	SPUR GEAR 15	1	
562	1005245	SPUR GEAR 18	1	
564	1025305	ROLLER PAPER EJECT DRIVE	1	
565	1025203	ROLLER ASSY.PF DRIVE	1	
566	1025334	HOLDER HEAD CABLE	1	
567	2021268	CABLE HEAD LOWER	1	
568	2021269	CABLE HEAD UPPER	1	
569	1025355	BUSHING 8 LEFT	1	
570	1025284	PLATEN	1	
571	1030979	PLATEN GEAR	1	

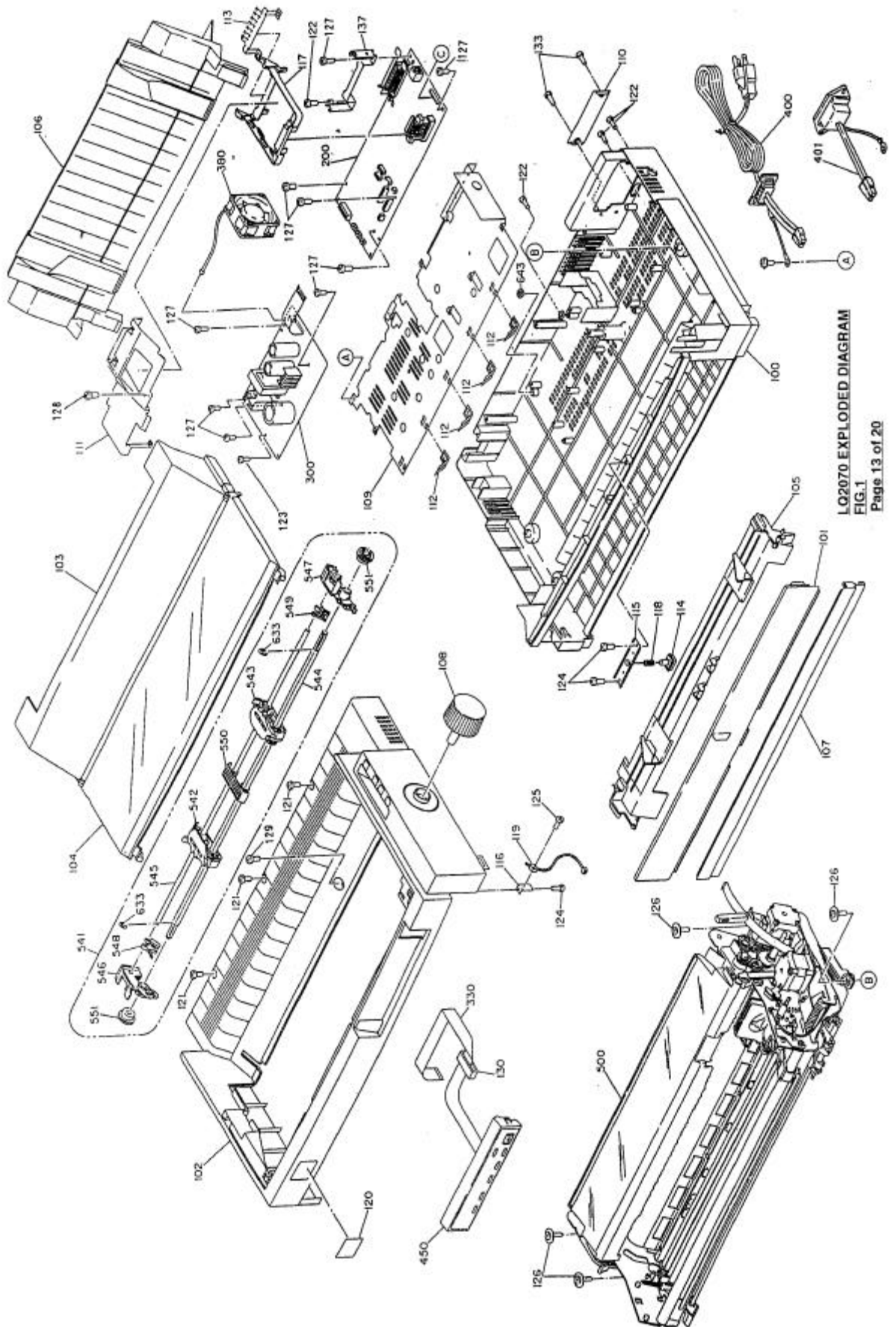
EPSON LQ2070

Page 6 of 15

572	1025285	BUSHING 8 RIGHT	1	
573	1025351	COVER PLATEN	1	
574	2018904	DETECTOR ASSY.PW	1	
575	1025345	RIBBON MASK	1	
576	1025352	PAPER GUIDE SUPPORT	1	
577	1025280	HOLDER DRIVEN PULLEY	1	
578	1025326	FRAME REAR	1	
579	1025327	FRAME FRONT	1	
580	1025328	FRAME SUB RIGHT	1	
581	1028347	SHAFT CR GUIDE REAR	1	
582	1028348	SHAFT CR GUIDE FRONT	1	
583	1025331	BUSHING PARALLEL ADJUST	1	
584	1025332	LEVER GAP ADJUST	1	
585	1025333	CAP LEVER	1	
586	1025374	SHEET RELEASE CAP	1	
587	1025349	MOUNTING PLATE MOTOR CR	1	
588	1025346	HOLDER RIBBON MASK	1	
589	1027101	OIL PAD LOWER	2	
590	1028356	LEVER RELEASE	1	
591	1028357	CAM CLUTCH TRACTOR	1	
592	1025335	BASE RUBBER	4	
593	1005222	COMBINATION GEAR830	1	
594	1005224	SPUR GEAR 27	1	
595	1005225	SPUR GEAR 34.5	2	
596	1005226	SPUR GEAR 34	1	
597	B101253990	LEAF SPRING	1	8.2X0.25X15
598	1028359	INTERMITTENT GEAR	1	
599	1025353	PAPER GUIDE MIDDLE	1	
600	1025354	PAPER GUIDE FRONT	1	
601	1005232	COMPRESSION SPRING 200	2	
602	1025360	SPUR GEAR 21	1	
603	1028358	LEVER RELEASE TRANSMISSION	1	
604	1030844	OIL PAD	2	
605	1025343	HOLDER DETECTOR PG	1	
606	1029076	LEVER RELEASE DETECTOR	1	
607	1025375	GROUND PLATE P R GUIDE MID.	1	
608	1026439	SHEET RELEASE CA PSUB	1	
609	1026551	HOLDER CABLE	1	
610	1026620	COVER DRIVEN PULLEY	1	
611	B010303411	C.B.SCREW	2	M3X8
612	1025311	GROUND PLATE PAPER EJECT	1	
613	1005416	SHAFT MOUNT CR	2	
614	B010302211	C.B.SCREW	1	M2.5X5
617	1025356	LEAF SPRING CR	1	
620	1025323	LEVER DETECTOR PE REAR	1	
626	1025325	TORSION SPRING0.26	1	
627	1025307	HOLDER PAPER EJECT DRIVEN	5	
628	1025309	COMPRESSION SPRING 1.08	5	
629	1025308	HOLDER PAPER EJECT SPRING	5	
630	2019015	CABLE DETECTOR	1	
632	1028344	GUIDE PAPER EJECT	1	SEE PACKAGING DIAGRAM
633	B150300911	RETAINING RING	2	TYPE-E(6)
634	1001856	SPRING PIN	1	2X12
635	B302704211	C.P.S.P.S. SCREW	4	M3X6
636	B300204211	C.B.S. SCREW	9	M3X6
637	B100166012	PLAIN WASHER	3	8X0.5X15
638	B160101412	RETAINING RING	5	TYPE-C
639	1006901	C.B.C-LAMITITE	2	M3X8
640	B010303311	C.B.SCREW	2	M3X6
641	B300204311	C.B.S. SCREW	3	M3X8

EPSON LQ2070

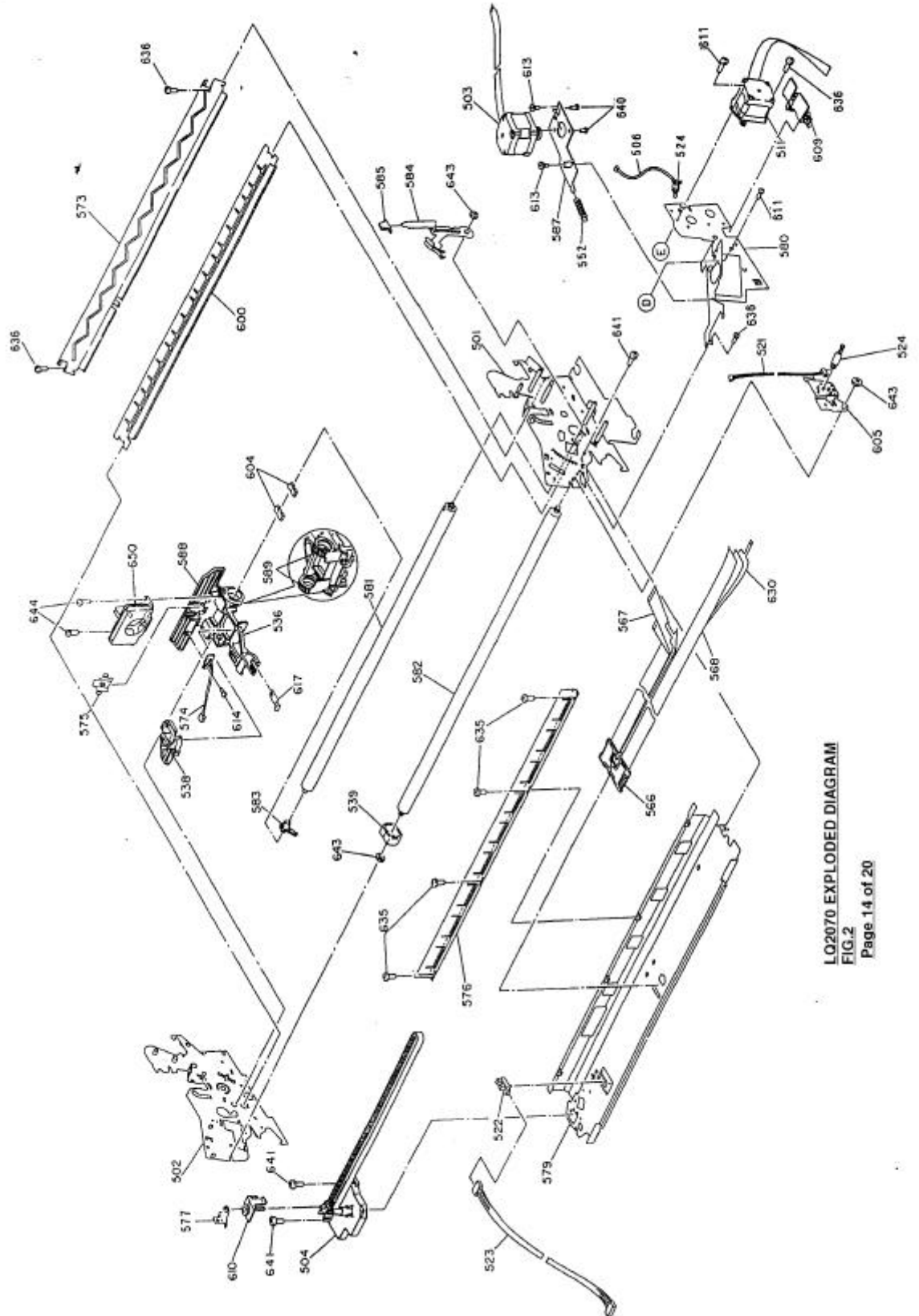
Page 8 of 15



LQ2070 EXPLODED DIAGRAM
FIG.1
Page 13 of 20

EPSON LQ2070

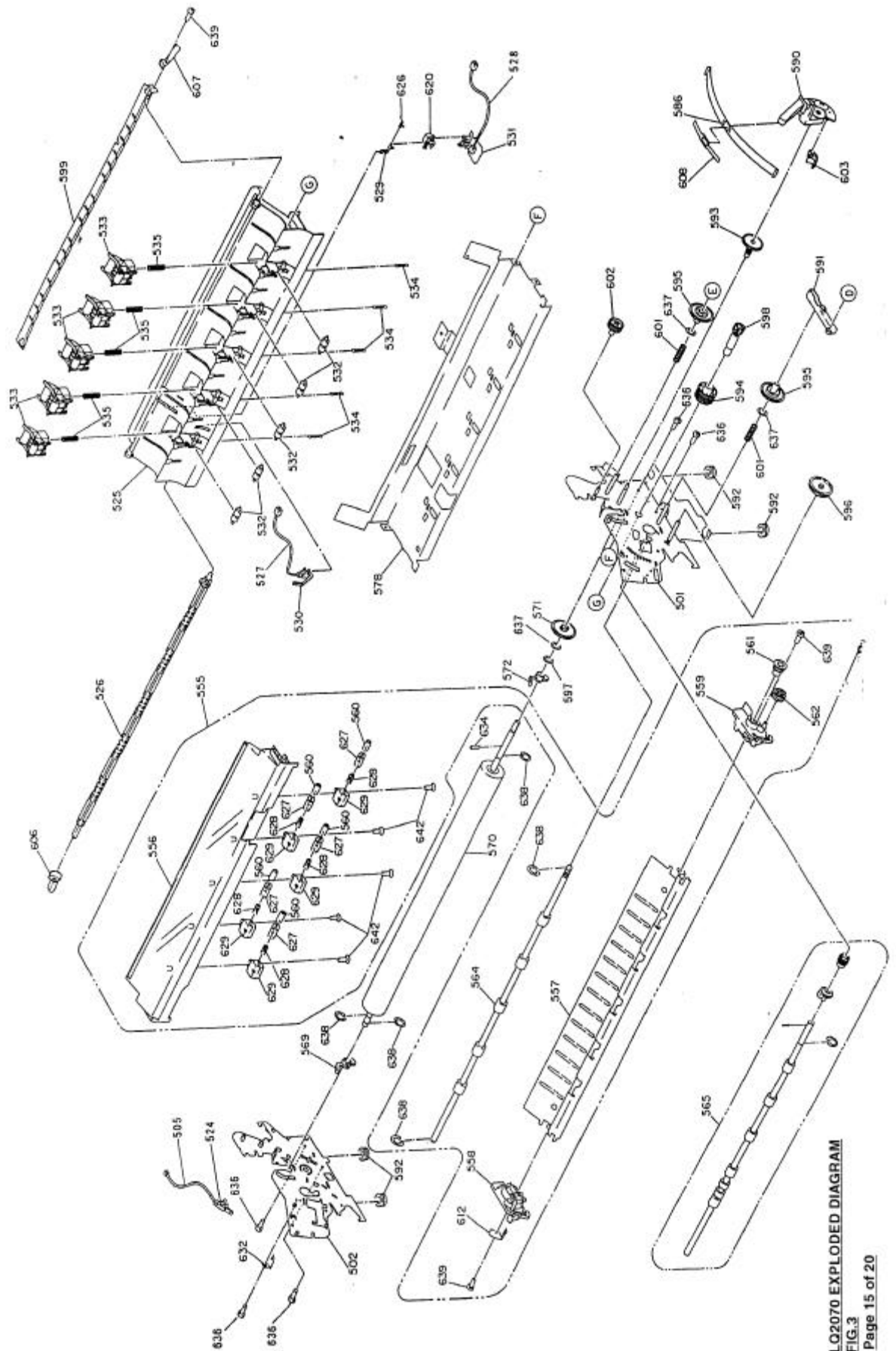
Shaded rows indicate major items
Page 9 of 15



LQ2070 EXPLODED DIAGRAM
FIG. 2
Page 14 of 20

EPSON LQ2070

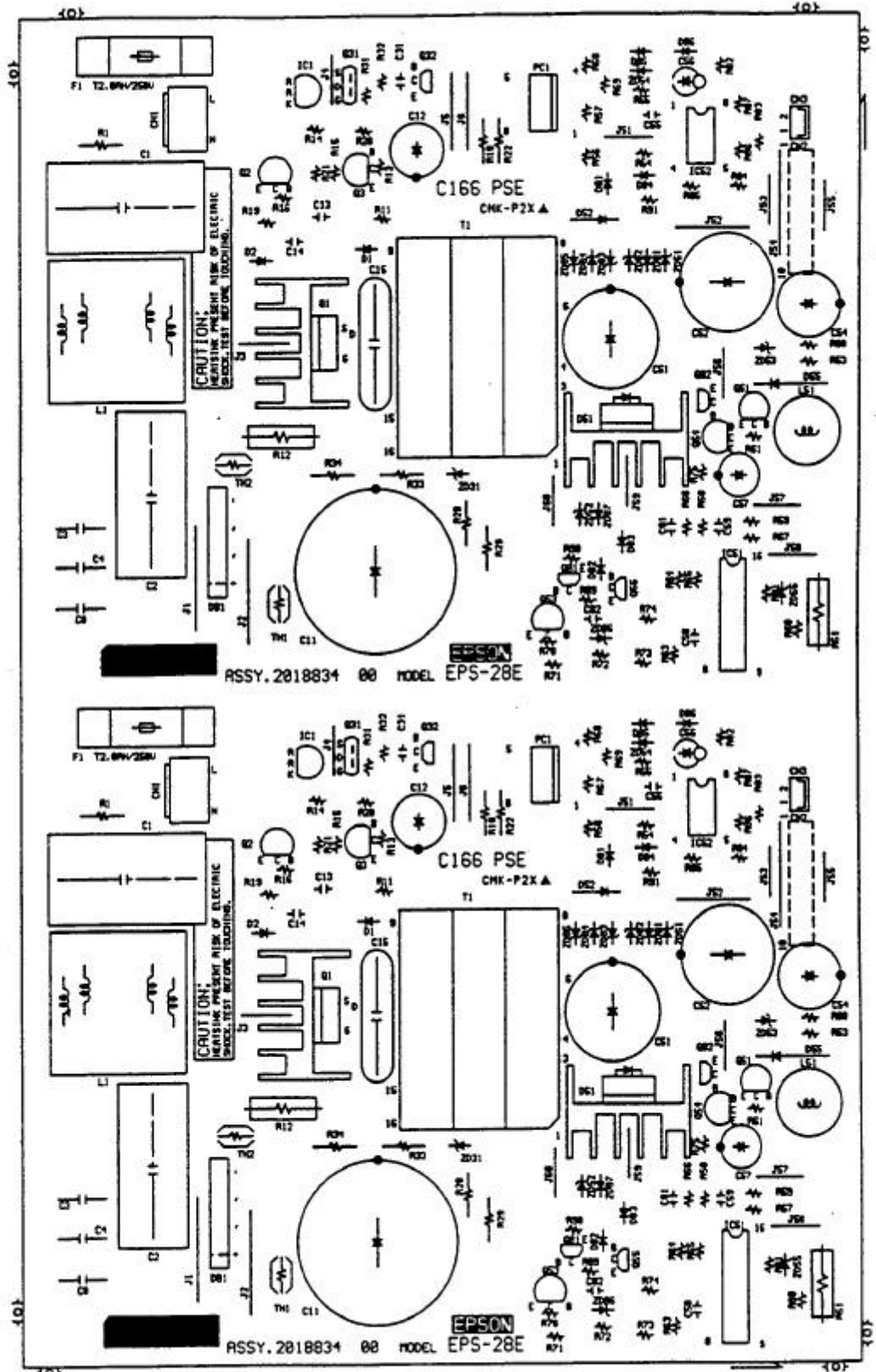
Page 10 of 15



LQ2070 EXPLODED DIAGRAM
FIG.3
Page 15 of 20

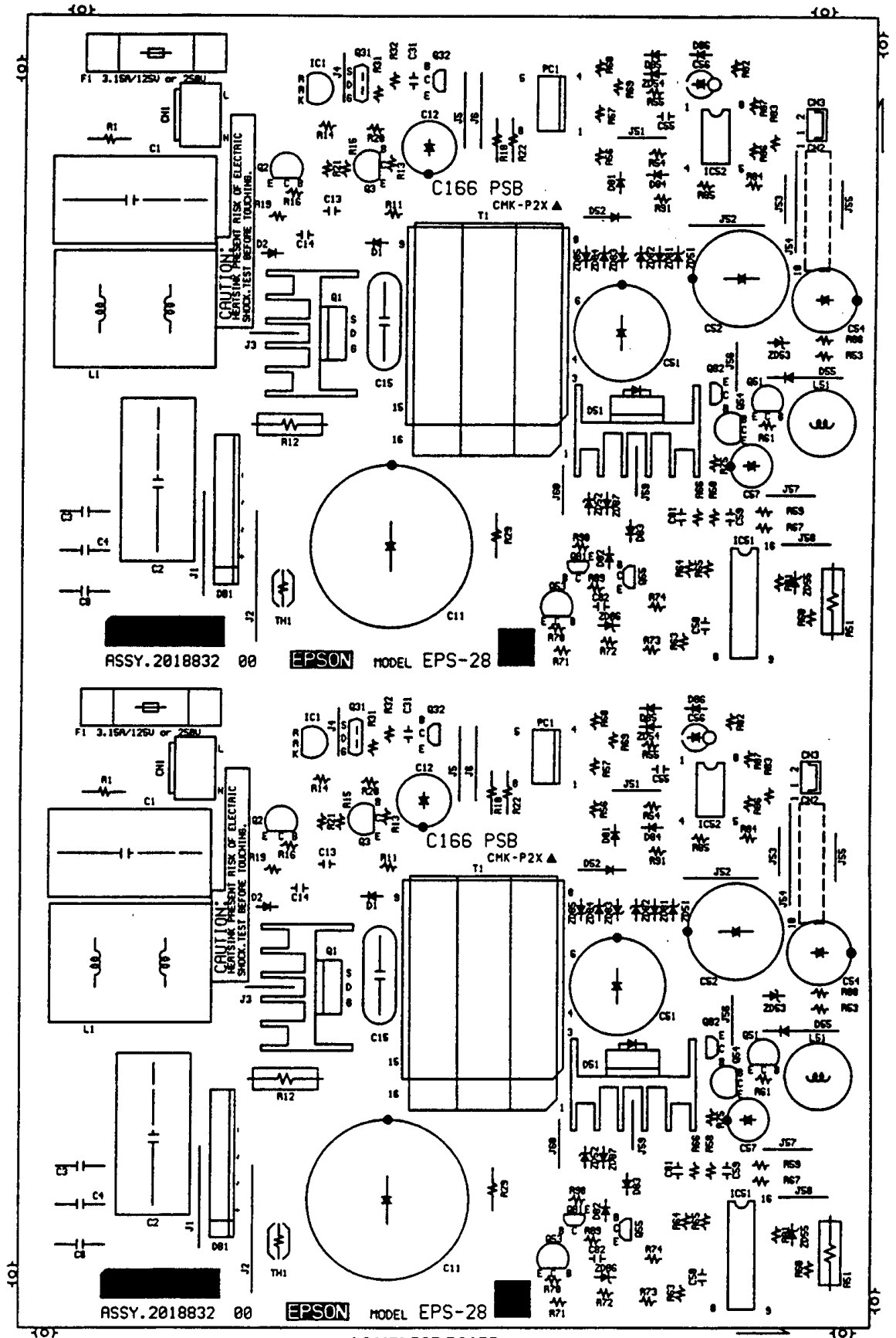
EPSON LQ2070

Shaded rows indicate major items
Page 11 of 15



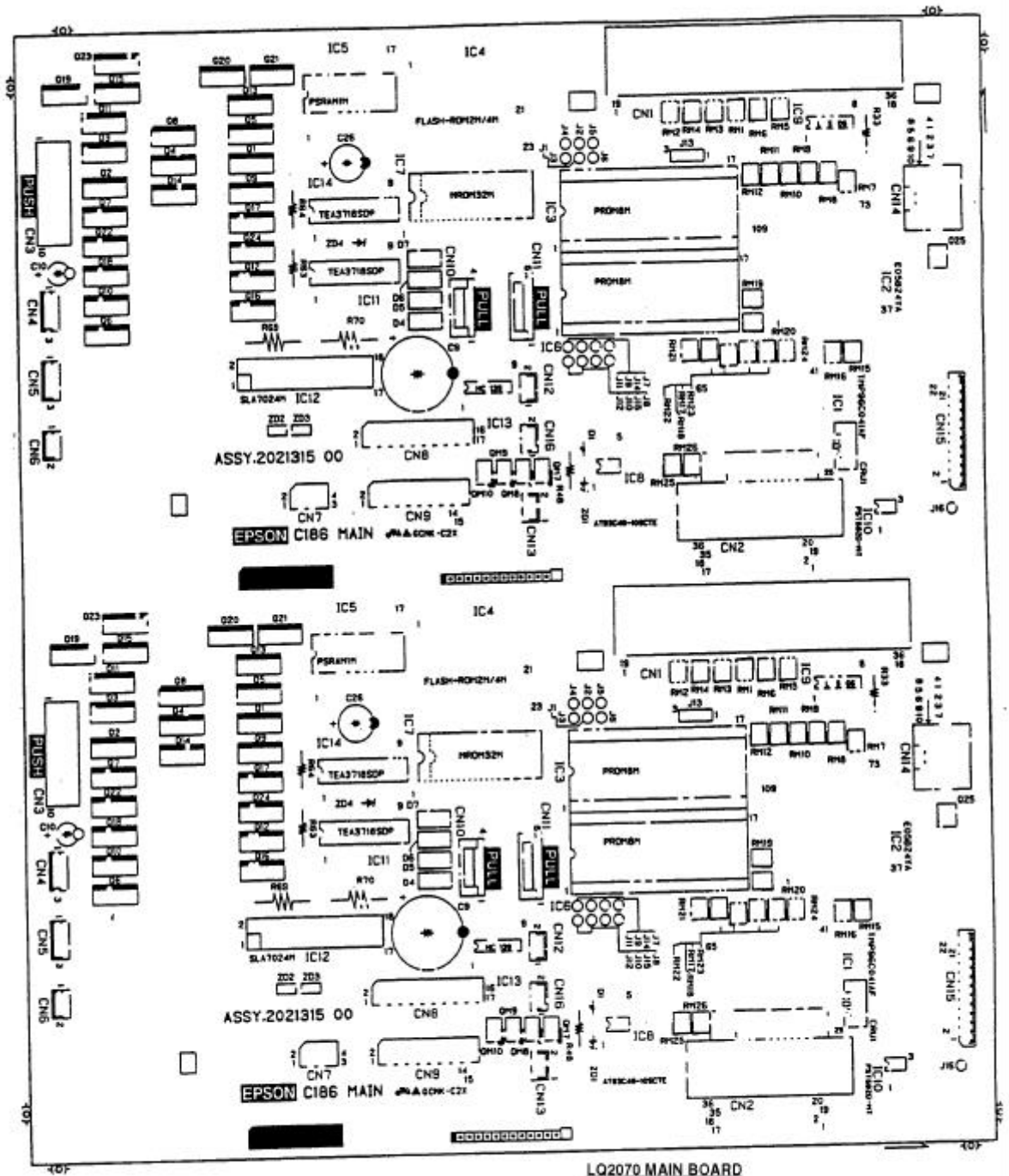
EPSON LQ2070

Page 12 of 15



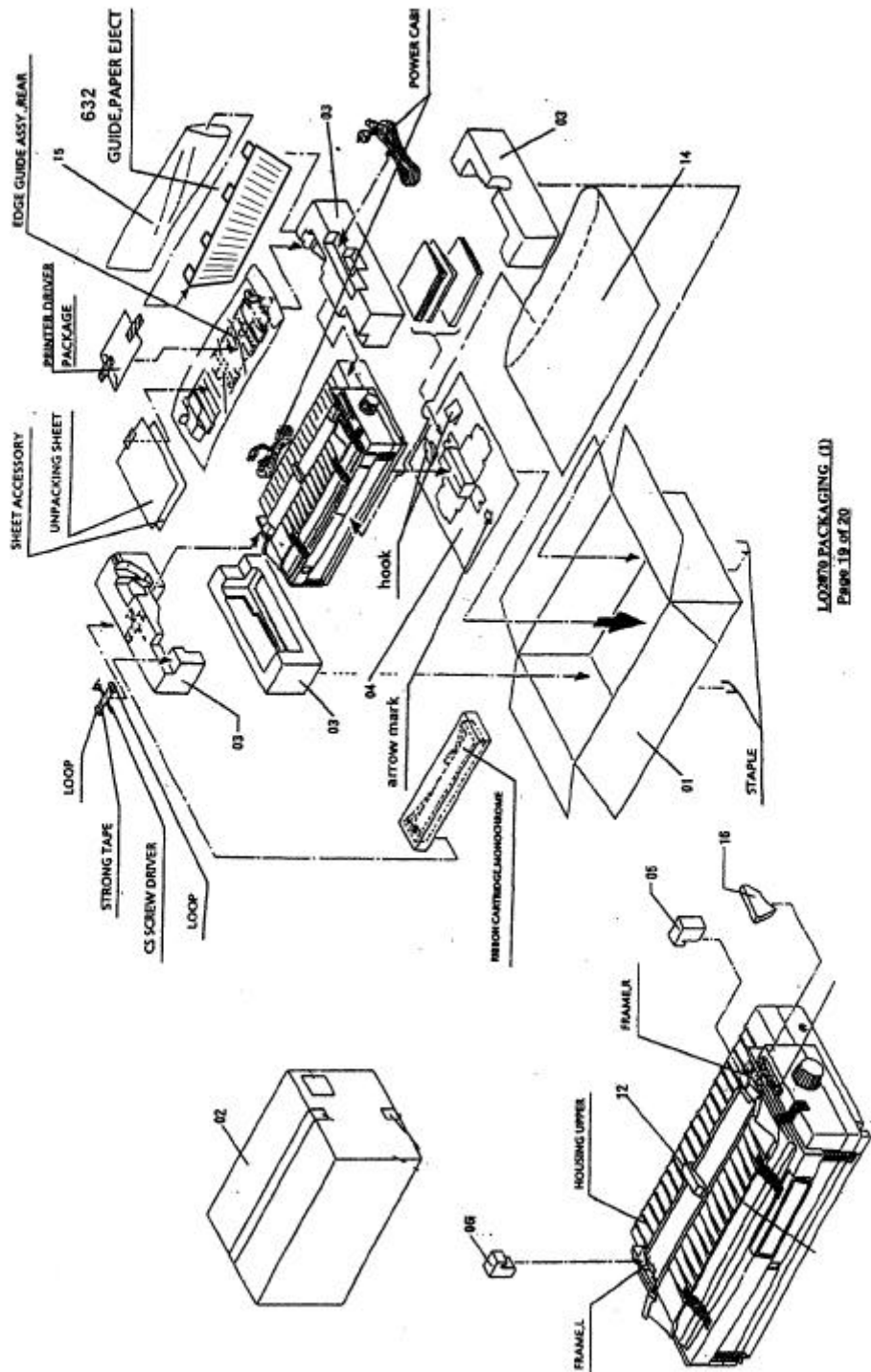
EPSON LQ2070

Shaded rows indicate major items
Page 13 of 15



EPSON LQ2070

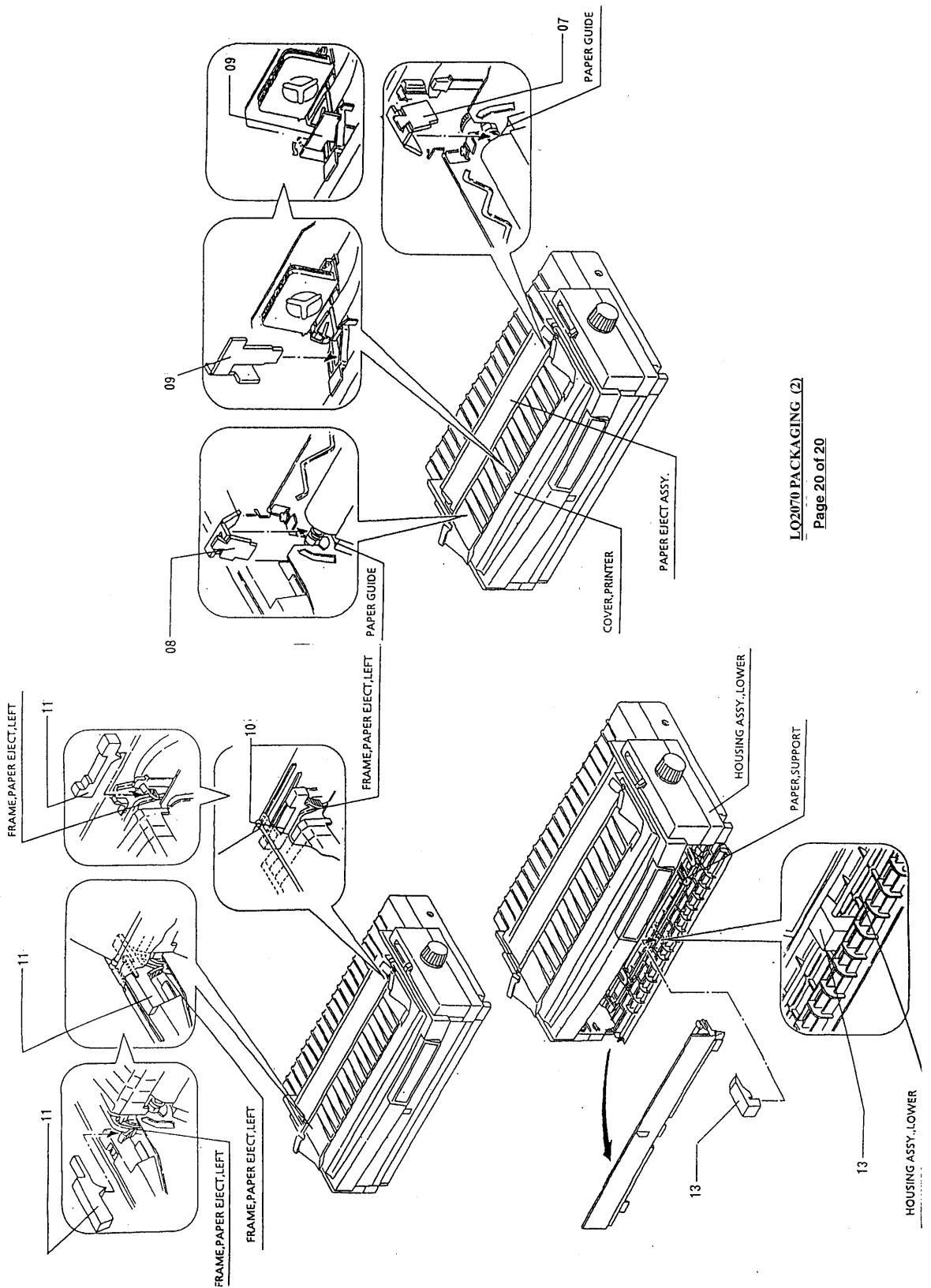
Page 14 of 15



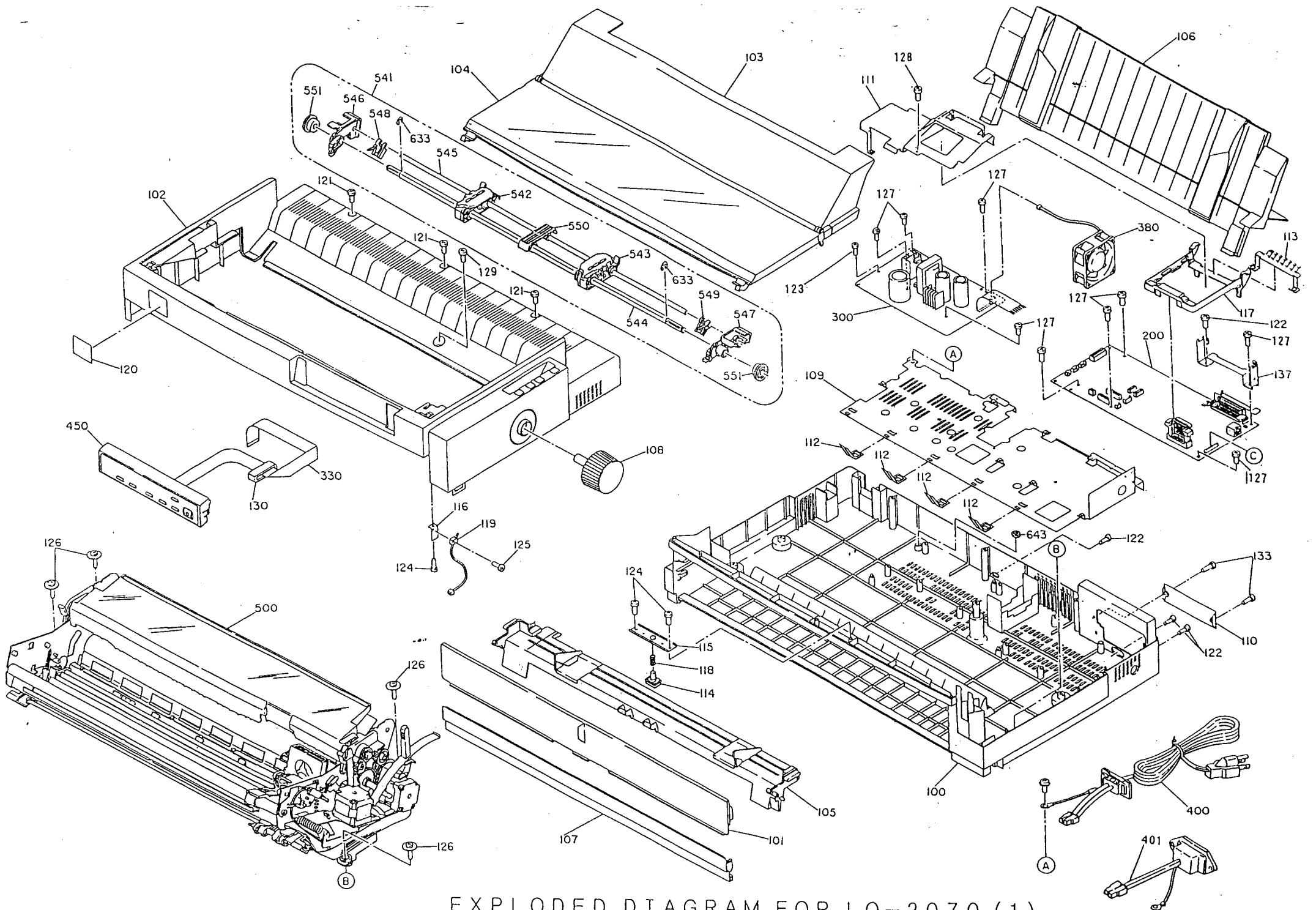
LQ2070 PACKAGING (I)
Page 19 of 20

EPSON LQ2070

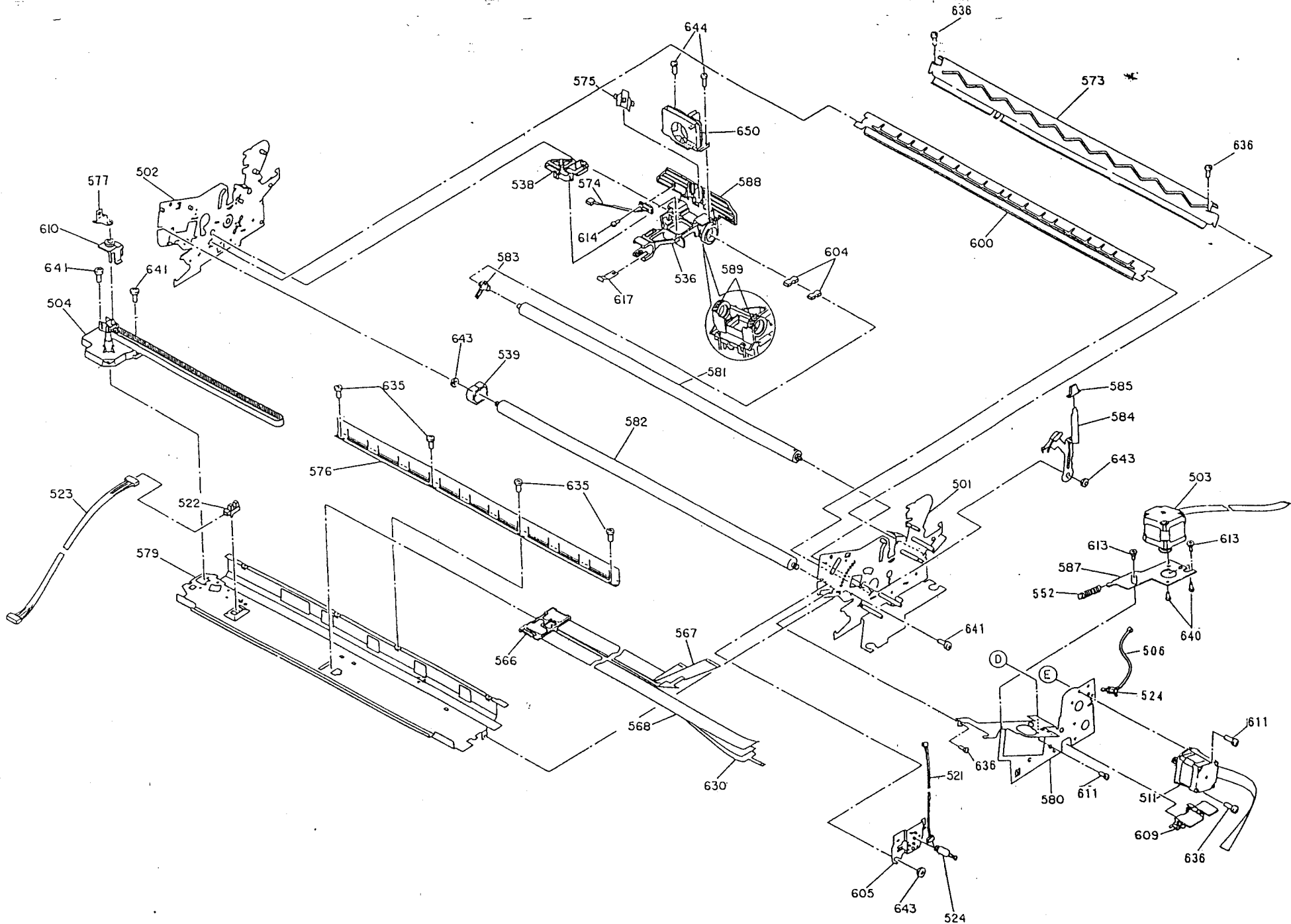
Shaded rows indicate major items
Page 15 of 15



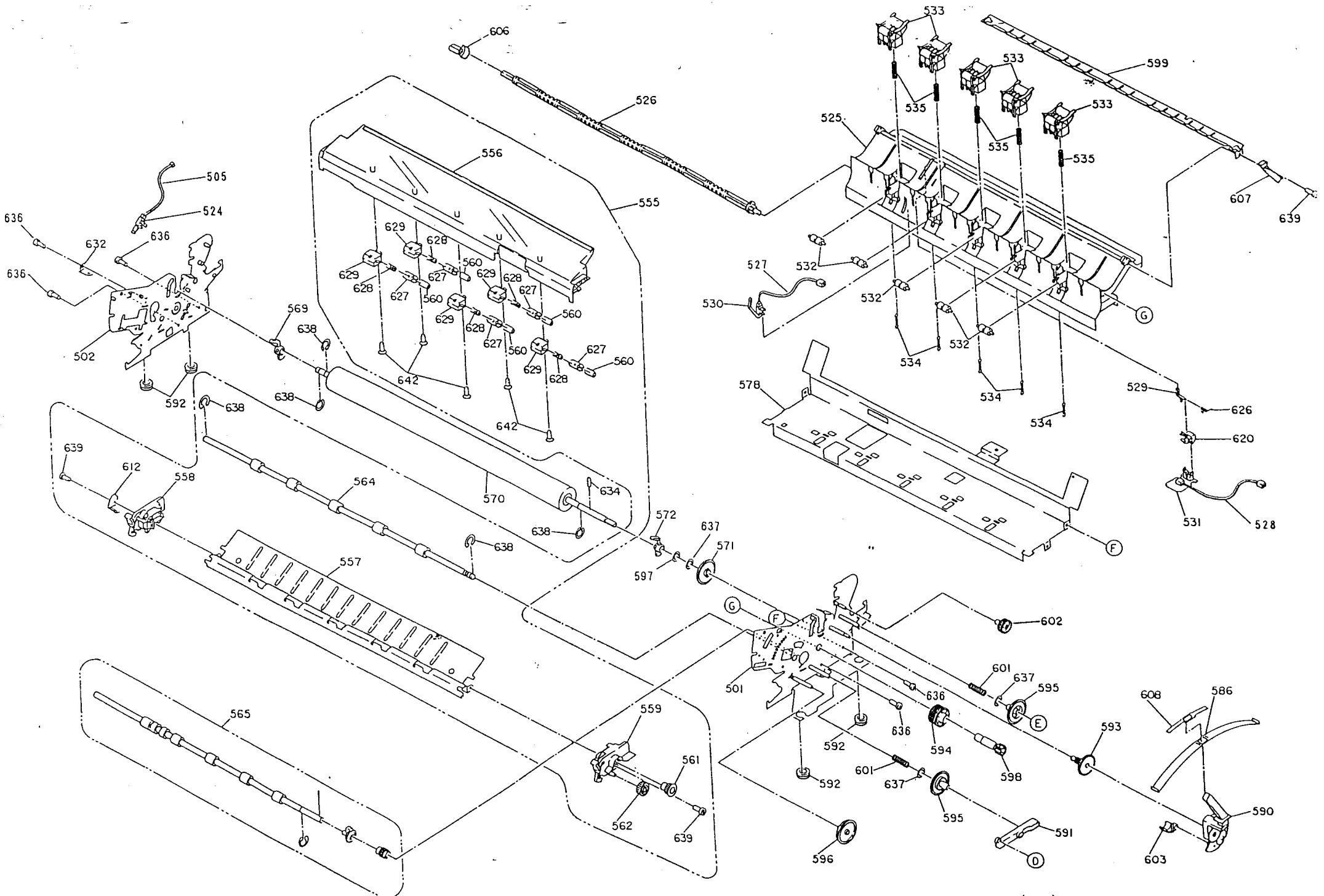
LQ2070 PACKAGING (2)
Page 20 of 20



EXPLODED DIAGRAM FOR LQ-2070 (1)



EXPLODED DIAGRAM FOR LQ-2070 (2)

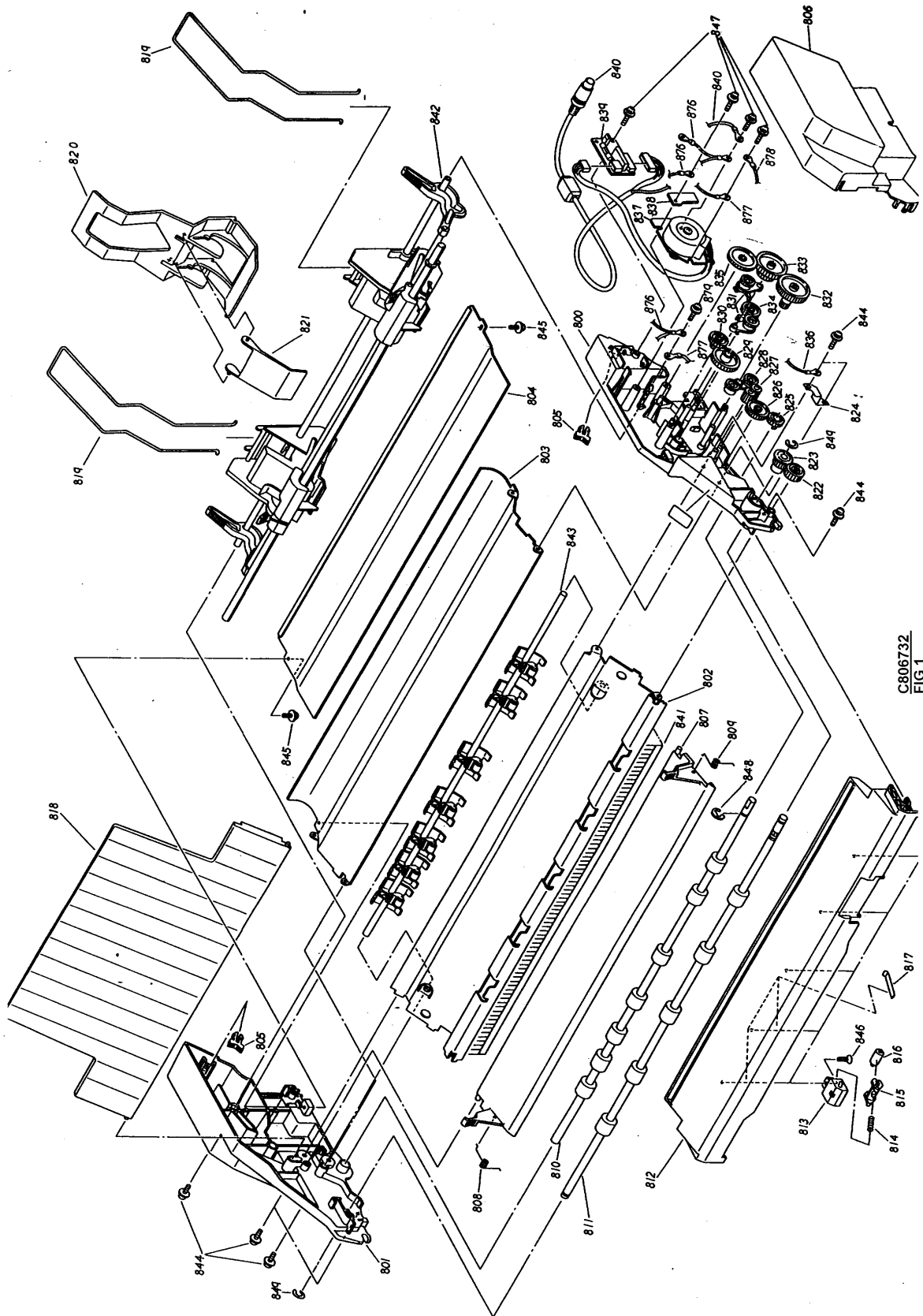


EXPLODED DIAGRAM FOR LQ-2070 (3)

C806732 (HIGH CAP. C.S.F. FX/LQ2170/2180/LQ2070)

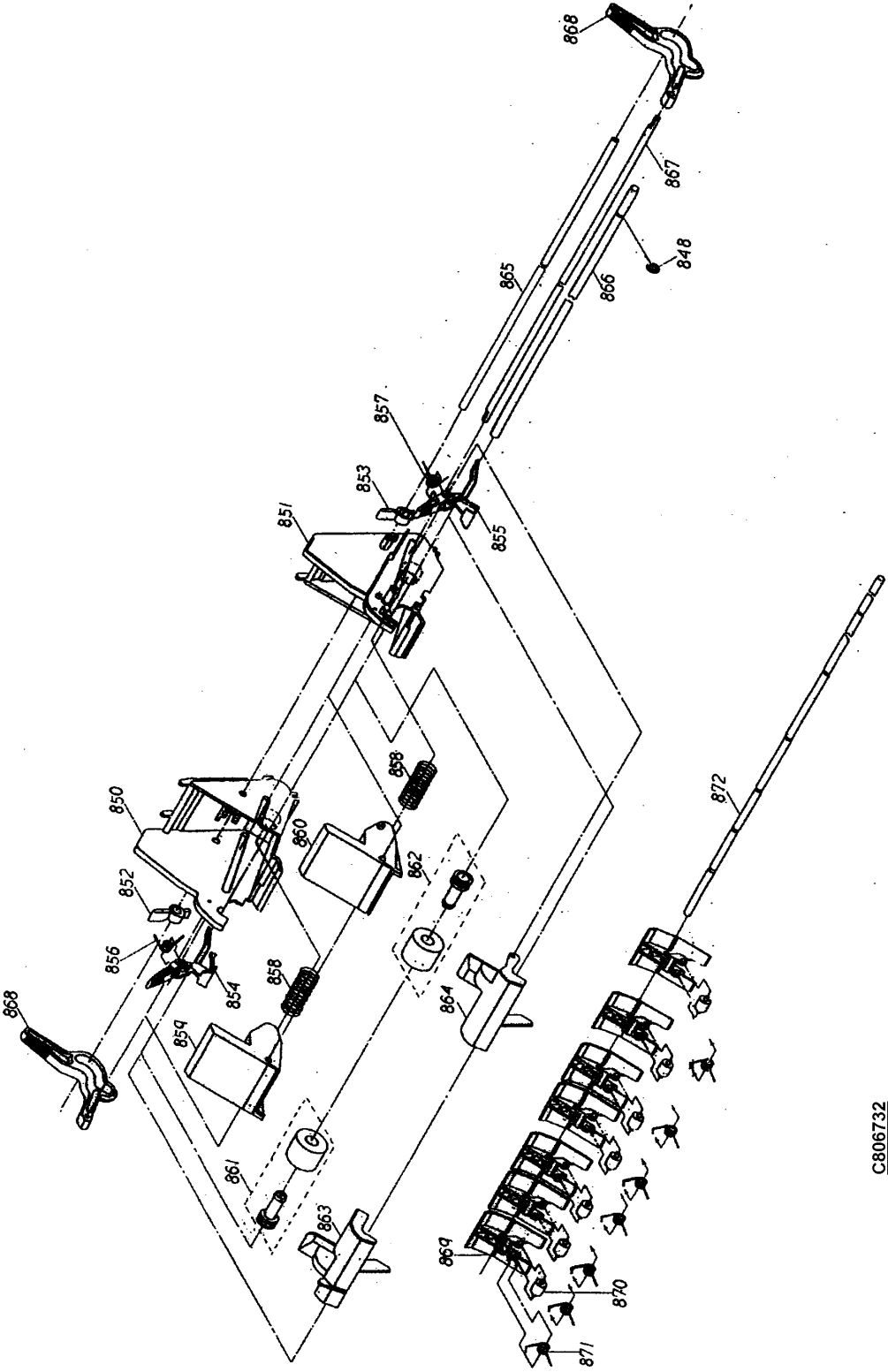
REF	PART NO	DESCRIPTION	QTY
800	1027002	FRAME, CSF, RIGHT	1
801	1027003	FRAME, CSF, LEFT	1
802	1027011	FRAME, CSF, FRONT	1
803	1027014	PAPER GUIDE, CSF, ABOVE	1
804	1027016	PAPER GUIDE, CSF, BELOW	1
805	1027047	CLAMP, SIMPLE, MOUNT	2
806	1027006	COVER, GEAR LINE	1
807	1027037	FRAME, CHANGE, PAPER EJECT	1
808	1027038	SPRING, FRAME, LEFT	1
809	1027039	SPRING, FRAME, RIGHT	1
810	1027081	SHAFT ASSEMBLY, PAPER LOAD SUPPORT	1
811	1025305	ROLLER, PAPER EJECT, DRIVE	1
812	1027026	COVER, PAPER EJECT	1
813	1025308	HOLDER, PAPER EJECT, SPRING	6
814	1027049	SPRING, PAPER EJECT	6
815	1025307	HOLDER, PAPER EJECT, DRIVEN	6
816	1025306	ROLLER, PAPER EJECT, DRIVEN	6
817	1027036	FILM, PAPER EJECT	2
818	1027025	PAPER SUPPORT, PAPER EJECT	1
819	F334701151	HOPPER PAPER STAND	2
820	1027023	PAPER SUPPORT, CSF, CENTRE	1
821	1027024	PAPER SUPPORT, CSF, CENTRE SUPPORT	1
822	1005245	SPUR GEAR, 18	1
823	1025310	SPUR GEAR, 15	1
824	1027040	METAL FITTING, MOUNT	1
825	1006269	GEAR 15.5	1
826	F348701110	PAPER EJECTING DRIVER GEAR A	1
827	1027022	SPUR GEAR, D=10	2
828	1027078	LEVER ASSEMBLY, CSF PLANET, SUPPORT	1
829	1006272	GEAR 29	1
830	Y593701050	DRIVER GEAR A	1
831	1027079	LEVER ASSEMBLY, CSF PLANET	2
832	1027027	COMBINATION GEAR D=8.5/33	1
833	1027028	COMBINATION GEAR D=20/33.5	1
834	F344701110	PAPER EJECTING DRIVER GEAR	1
835	1006267	GEAR D=30	1
836	2020195	MOUNT, MOTOR	1
837	2020197	MOTOR ASSEMBLY, CSF	1
838	1027119	SHEET, MOTOR	1
839	2020198	P.C.B. ASSEMBLY, CSF	1
840	2020196	HARNESS, CONNECTION	1
841	1027120	BRUSH, ANTI-STATIC	1
842	1027071	HOPPER ASSEMBLY	1
843	1027076	SHAFT ASSEMBLY, IDLER LEVER	1
844	1011990	C.T.P.B.SCREW	8
845	B302104411	C.P.S.(P) SCREW	2
846	1019830	C.F.P-TITE SCREW, 2.6X8, F/ZN	5
847	1025569	C.B.P-TITE(S-P2), 3X12, F/ZN	4
848	B150300911	RETAINING RING	2
849	B160101412	RETAINING RING	2
850	1006286	SLIDER, CSF, LEFT	1
851	1006287	SLIDER, CSF, RIGHT	1
852	1006293	LEVER, SLIDER, FIXING, LEFT	1
853	1006342	LEVER, SLIDER, FIXING, RIGHT	1

EPSON C806732 HIGH CAP. C.S.F.



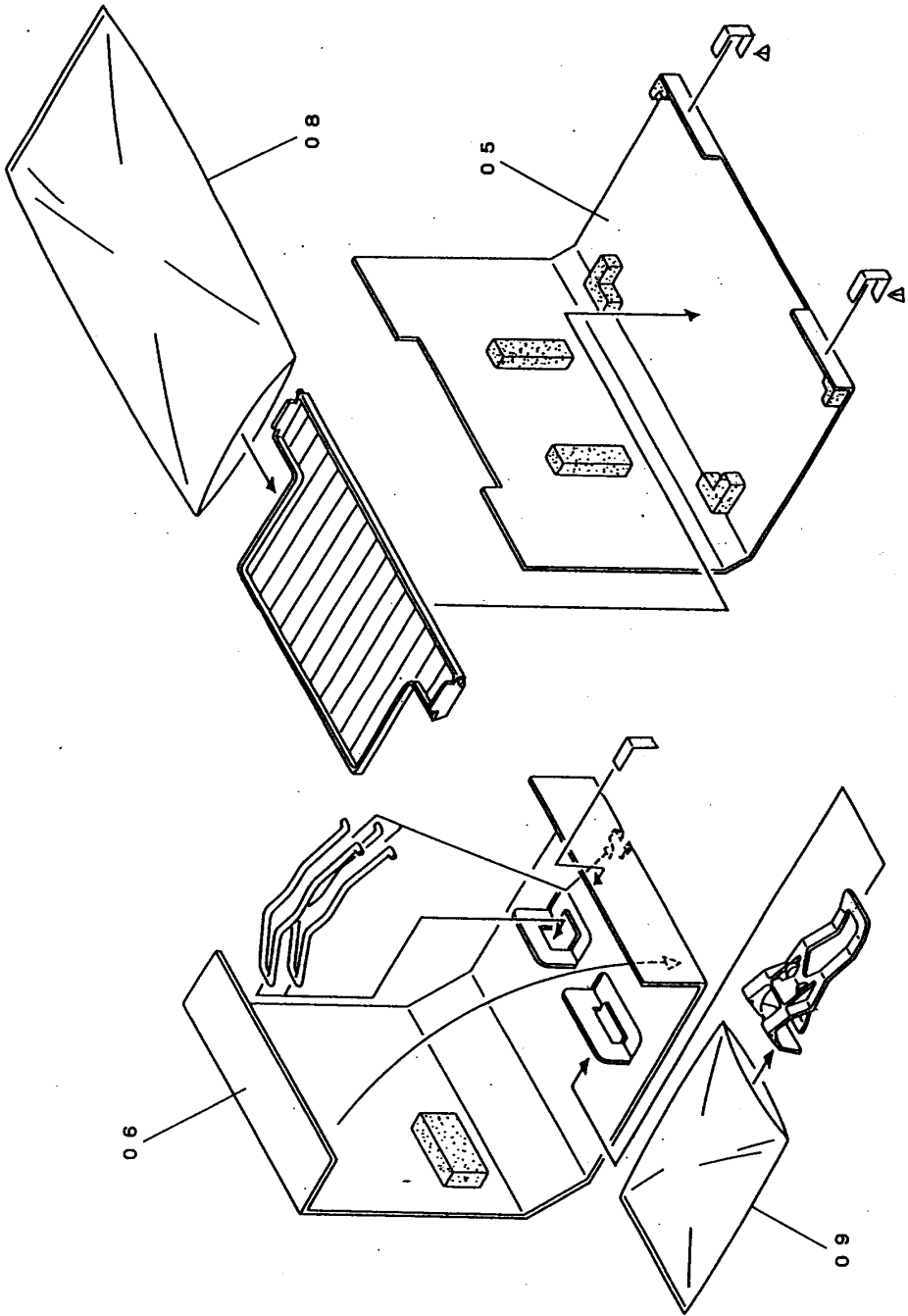
C806732
FIG. 1

EPSON C806732 HIGH CAP. C.S.F.



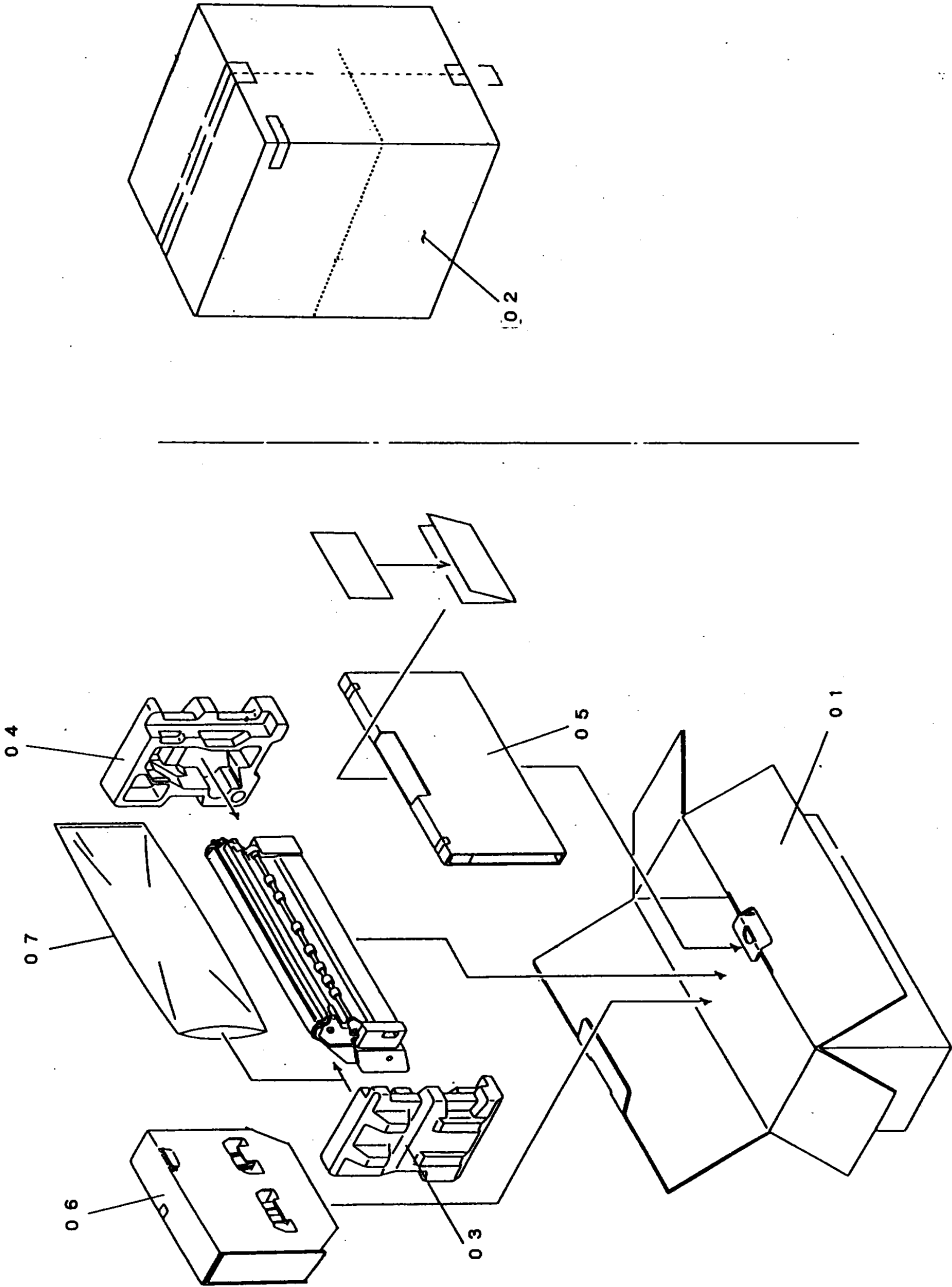
C806732
FIG. 2

EPSON
C806732 HIGH CAP. C.S.F.



C806732 PACKAGING (1)
FIG. 3

EPSON C806732 HIGH CAP. C.S.F.



C806732 PACKAGING (2)
FIG.4