

EPSON

LQ1170

(Spare Guide Version 2)

Page 1

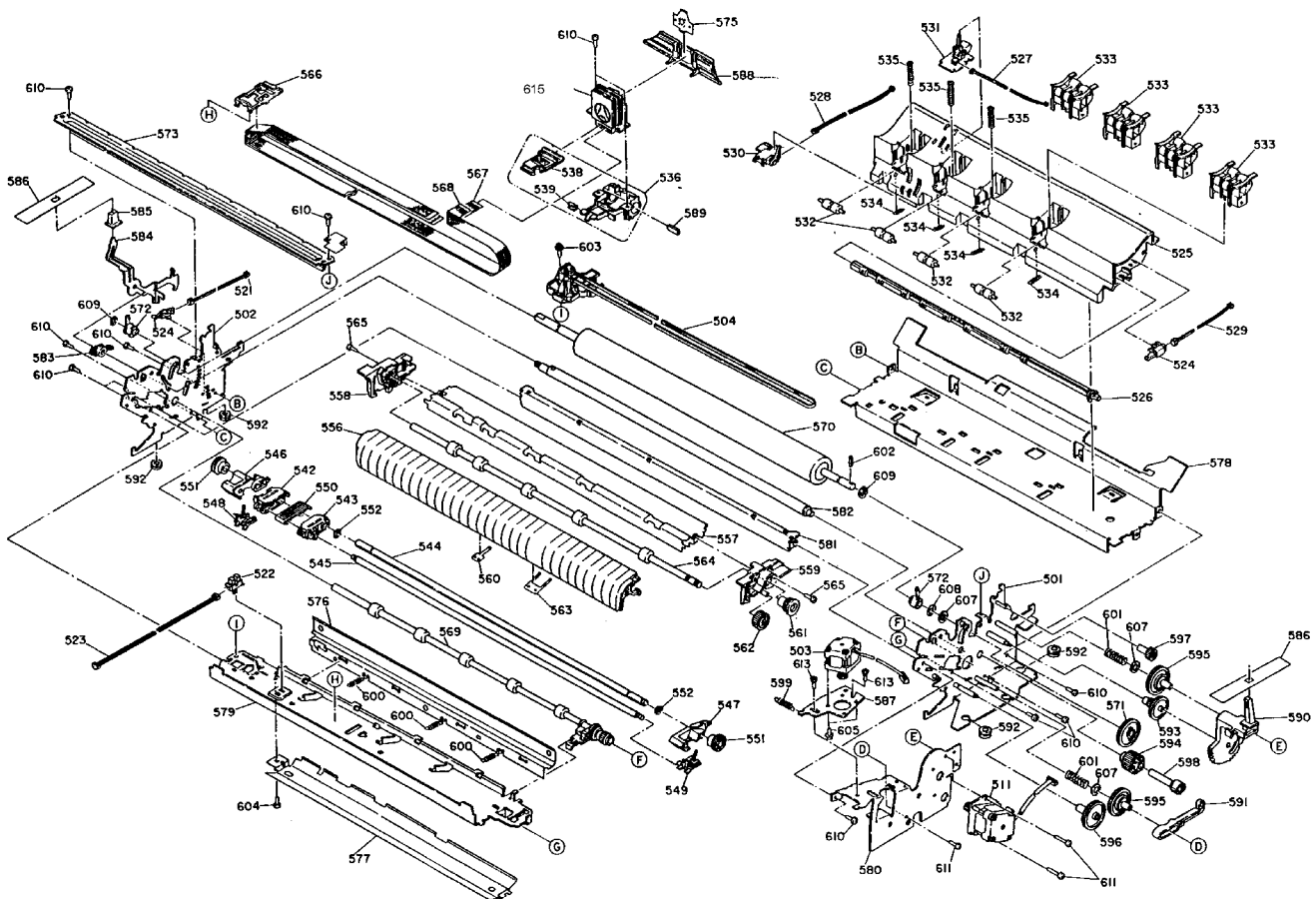
REF	PART	DESC	QTY	STANDARD
100	1005544	HOUSING ASSY., LOWER	1	
101	1005558	FOOT	4	
102	1005545	HOUSING ASSY., UPPER	1	
103	1005495	HOUSING, FRONT	1	
104	1005547	COVER ASSY., PRINTER	1	
105	1005548	EDGE GUIDE ASSY., FRONT	1	
106	1005549	EDGE GUIDE ASSY., REAR	1	
107	1005546	COVER ASSY., FRONT	1	
108	1005478	KNOB	1	
109	1005393	SHIELD PLATE	1	
110	1005476	COVER, DIP, SWITCH	1	
111	1005497	SHIELD PLATE	1	
112	1005480	GROUNDING PLATE	4	
113	1005382	GROUNDING PLATE, I/F	1	
114	1005477	BRACKET	1	
115	1002045	COVER, CONNECTOR, UPPER	1	
116	1005583	CIRCUIT BOARD SPACER	1	
117	1002094	GUIDE, I/F BOARD	1	
119	1005510	SHEET, PANEL	1	
120	1005900	LOGO PLATE	1	
121	B010303411	C.B.SCREW	1	M3X8
122	B045800115	C.B.(O) SCREW	1	M4X8
123	B303404211	C.B.S.(O) SCREW	2	M3X6
124	B310204511	C.B.B. SCREW	11	M3X12
125	B310206511	C.B.B. SCREW	3	M4X14
126	F349655040	PRINTER MECH. MOUNTING SCREW	4	
127	1001321	C.B.S.(O) SCREW	6	M3X8
128	1002674	C.B.S-TITE SCREW	2	M3X12
200	2003071	BOARD ASSY., MAIN (WITHOUT 3A)	1	FOR USA,ENGLAND
201	1004142	C.P.B-TITE SCREW	2	M3X8
350	2011496	BOARD ASSY., PSE 20/240V	1	
351	X502063050	FUSE	1	
352	X510180180	INSULATION SPACER	1	
353	2003639	ISOLATION TUBE	1	
332	X502200060	FUSE COVER	1	
333	X510180190	INSULATION SPACER	1	
334	X510180280	INSULATION SPACER	1	
335	X510180320	INSULATION SPACER	1	
336	Y456001001	TRANSISTOR HOLDER	1	M391-1020
337	Y903001001	TRANSISTOR HOLDER	3	903-1050
338	1005391	HEAT SINK	1	
339	1005933	HOLDER, TRANSISTOR	1	
340	B040303111	CUP SCREW	4	M3X14
341	B300204211	C.B.S. SCREW	5	M3X6
342	1002674	C.B.S-TITE SCREW	1	M3X12
343	1016606	SPACER PS		
370	2003081	POWER CABLE ASSY.	1	
371	2003080	POWER CABLE ASSY.	1	
372	2003076	HARNESS	1	
380	2003084	FAN	1	
381	2003077	HARNESS	1	
382	2003079	HARNESS	1	
400	2002946	POWER CABLE	1	220/240V
401	Y901305500	POWER CABLE (BS31303SA-SR)	1	240V
450	2003075	BOARD ASSY PANEL	1	
500	2003219	PRINTER MECHANISM EUROPE	1	M-5D60
501	1005275	FRAME SUB ASSY., RIGHT	1	

REF	PART	DESC	QTY	STANDARD
502	1005278	FRAME ASSY., LEFT	1	
503	2003039	MOTOR, CR	1	
504	1005286	RD ASSY.	1	
511	2003041	MOTOR, PF	1	
521	2003032	LEAD, PLATEN, GAP	1	
522	2003028	DETECTOR, HP	1	
523	2003019	LEAD, HP	1	
524	2003030	CONNECTOR SWITCH	2	
525	1005197	PAPER GUIDE	1	
526	1005217	SHAFT, RELEASE	1	
527	2003034	LEAD, PE, FRONT	1	
528	2003023	LEAD, PE, REAR	1	
529	2003031	LEAD, PF	1	
530	2003033	DETECTOR, PE, FRONT	1	
531	1005727	DETECTOR ASSY., REAR	1	SEPARATE LEVER P/N 1005177
532	1005213	ROLLER, PF, DRIVEN, LOWER	4	
533	1005282	ROLLER ASSY., PF	4	
534	1005215	EXTENSION SPRING, 70	4	
535	1005214	COMPRESSION SPRING, 1000	4	
536	1005276	CARRIAGE ASSY.	1	
538	1005179	HOLDER, SLIDER	1	
539	1005181	SLIDER, CR	1	
541	1005277	TRACTOR ASSY.	1	
542	1001108	TRACTOR, LEFT	1	
543	1001109	TRACTOR, RIGHT	1	
544	1005250	SHAFT, TR, DRIVE	1	
545	1005251	SHAFT, TR, GUIDE	1	
546	1005246	FRAME, TR, LEFT	1	
547	1005247	FRAME, TR, RIGHT	1	
548	1005248	LEVER, TR, LEFT	1	
549	1005249	LEVER, TR, RIGHT	1	
550	1005417	PAPER SUPPORT	1	
551	F334257060	TRACTOR GEAR	2	
552	B150300911	RETAINING RING	2	TYPE-E(6)
555	1005272	PAPER EJECT ASSY.	1	
556	1005235	COVER, PAPER EJECT	1	
557	1005238	FRAME, PAPER EJECT, BASE	1	
558	1005236	FRAME, PAPER EJECT, LEFT	1	
559	1005237	FRAME, PAPER EJECT, RIGHT	1	
560	1005243	LEAF SPRING, PAPER EJECT, DOUBLE	1	
561	1005244	SPUR GEAR, 15	1	
562	1005245	SPUR GEAR, 18	1	
563	1005514	LEAF SPRING, PAPER EJECT, SINGLE	1	
564	1005239	ROLLER, PAPER EJECT, DRIVE	1	
565	1005910	C.B.A-LAMITITE	2	M3X8
566	1005176	HOLDER, CABLE, HEAD	1	
567	2003026	CABLE, HEAD, LOWER	1	
568	2003027	CABLE, HEAD, UPPER	1	
569	1005287	ROLLER ASSY., DRIVE	1	
570	1008450	PLATEN	1	
571	F334005250	PLATEN GEAR	1	
572	F334005370	PLATEN SHAFT HOLDER	2	GRAY
573	1006903	COVER ASSY., PLATEN	1	
575	1005184	RIBBON MASK	1	
576	1005199	PAPER GUIDE, SUPPORT	1	
577	1005205	GUIDE, PAPER LOAD	1	
578	1005167	FRAME, REAR	1	

EPSON

LQ1170

Page 5



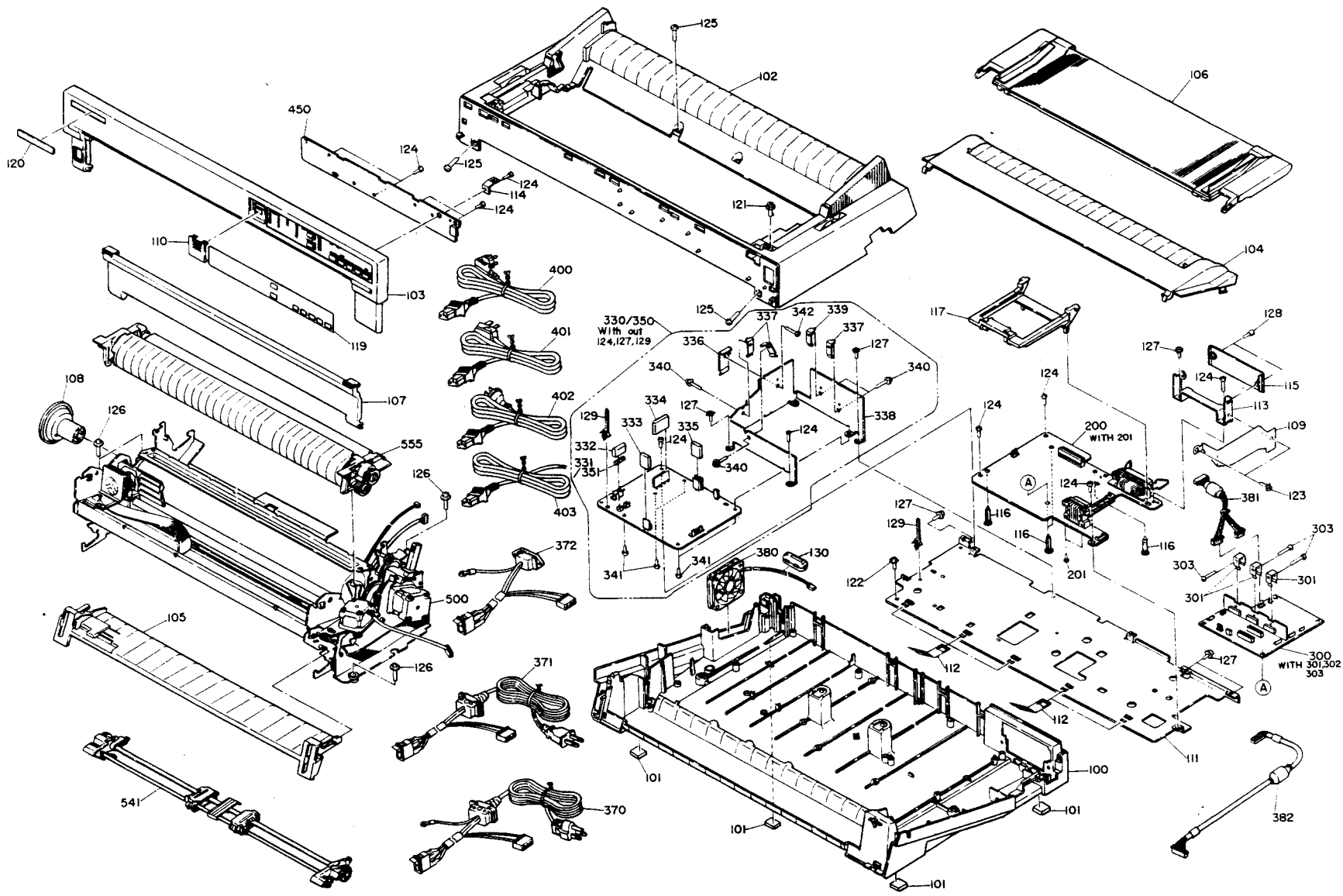


Figure A-12.2. Exploded Diagram for LQ-1170

A-21

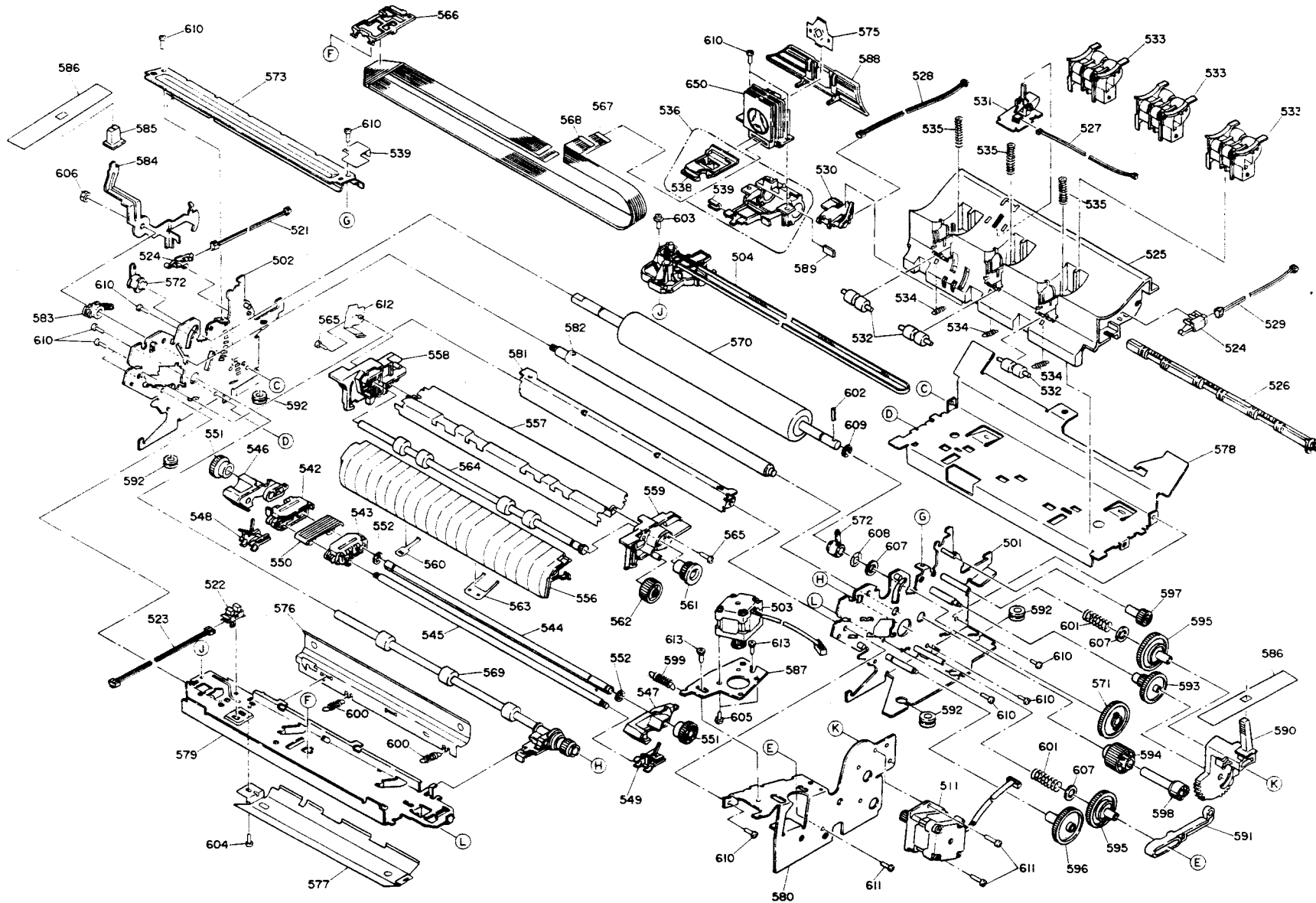


Figure A-13-1. Exploded Diagram for Model-5D10