

EPSON

NB: Part Number rationalisation – 10 digit part numbers in brackets are the old numbers for otherwise identical items

LQ-670

Page No.:1

REF	PART NO	DESCRIPTION	SPEC	QTY
100	1032438	HOUSING,UPPER		1
101	1032439	COVER,PRINTER		1
102	1034102	HOUSING ASSY.,LOWER		1
103	1034610	LOGO PLATE		1
104	1034101	COVER ASSY.,PRINTER;B		1
105	1038016	SHEET GUIDE ASSY,K		1
106	1032451	SHIELD PLATE,UPPER		1
107	1032450	SHIELD PLATE		1
108	1032453	COVER,WIRING		1
109	1006374	GUIDE,I/F BOARD		1
110	1005480	GROUNDING PLATE		4
111	1011863	GROUNDING PLATE,I/F,UPPER		1
112	1032452	GROUNDING PLATE,I/F		1
113	1032446	KNOB		1
114	1025409	PRINTER MECHANISM MOUNTING SCREW		4
115	1002045	COVER,CONNECTOR,UPPER		1
116	1004527	C.P.SCREW (B010109511)	M3X4	2
117	1073114	C.B. (O) SCREW 4X8 F/ZG (B045800115)	M4X8 F/ZG	1
118	1074071	PLAIN WASHER (B100150512)	M3X0.5X8	1
119	1073162	C.B.S. SCREW (B300200111)	M3X4	2
120	1073165	C.B.S. SCREW (B300204211)	M3X6	3
121	1073247	C.B.B. SCREW (B310204511)	M3X12	17
122	1021825	C.B.B. SCREW (B310206511)	M4X14	4
123	1076213	HEXAGON NUT (B070200411)	M4	1
124	2023473	HARNESS		1
200	2026150	BOARD ASSY.,MAIN		1
300	2026404	BOARD ASSY., POWER SUPPLY	220V	1
330	2023472	HARNESS		1
400	2006741	POWER CABLE,BS31303SA-SR-10A	240V	1
450	2024328	PANEL UNIT		1
500	2024694	PRINTER MECHANISM (ASP),W/ HEAD	M-5060-100	1
501	1073532	PLATEN SHAFT HOLDER (F334005230)		6
502	1073544	PLATEN SHAFT HOLDER (F334005370)	GRAY	2
503	1073560	BELT DRIVEN PULLEY FLANGE (F334101020)		1
504	1073568	CUT WASHER (F334101070)		1
505	1006142	P.W.,4.2X0.3X8,L/NA		1
506	1039507	SPUR GEAR,20		1
507	1025296	PAPER SUPPORT		1
508	1025335	BASE RUBBER		4
509	1032456	HOLDER,ADJUST LEVER		1
510	1032457	BUSHING,PARALLEL,ADJUST		1
511	1032458	CAP,LEVER		1
512	1032459	HOLDER,DETECTOR,PE,FRONT		1
513	1032460	HOLDER,CABLE,UPPER		1
514	1032461	HOLDER,CABLE,LOWER		1
515	1032462	HOLDER,RIBOM,MASK		1
516	1032463	SLIDER,REAR		1
517	1032465	COMBINATION GEAR,10,17.5		1
518	1032466	SPUR GEAR,11		1
519	1032467	COMBINATION GEAR,9,17		1

EPSON

NB: Part Number rationalisation – 10 digit part numbers in brackets are the old numbers for otherwise identical items

LQ-670

Page No.:2

REF	PART NO	DESCRIPTION	SPEC	QTY
520	1032468	COMBINATION GEAR,14,26		1
521	1032469	RATCHET,RD		1
522	1032470	LEVER,RD,PLANET		1
523	1032471	PULLEY,DRIVEN		1
524	1032472	COVER,MOTOR,CR		1
526	1032473	SHAFT,RELEASE		1
527	1032474	LEVER,RELEASE		1
528	1032475	RELEASE GEAR		1
529	1032476	ROLLER,PAPER LOAD,DRIVEN		4
530	1032477	LEVER,PAPER GUIDE,CHANGE		4
531	1032478	HOLDER,PAPER LOAD,DRIVEN		4
532	1032479	BEARING,PAPER LOAD,DRIVEN		1
533	1032480	ROLLER,PAPER EJECT,DRIVEN		4
534	1032481	HOLDER,LEVER,PAPER EJECT		4
535	1032482	LEVER,PAPER EJECT,DRIVEN		4
536	1032483	COMVINATION GEAR,8,30		1
537	1032484	SPUR GEAR,36		1
538	1032485	SPUR GEAR,18		2
539	1032486	COMBINATION GEAR,16,16		1
540	1032487	SPUR GEAR,16		2
541	1032488	SPUR GEAR,20		1
542	1032489	SPUR GEAR,20		1
543	1034013	FRAME,BASE,PJ		1
544	1034014	FRAME,CR,PJ		1
545	1032494	GUIDE,CR		1
546	1032495	LEVER,GAP,ADJUST		1
547	1032496	RIBBON MASK		1
548	1032497	MOUNTING PLATE,MOTOR,CR		1
549	1032498	LEVER,PULLEY,DRIVEN		1
550	1034015	PAPER GUIDE,PJ		1
551	1032500	COVER,TRACTOR		1
552	1032501	FRAME,PAPER EJECT		1
553	1032508	SHAFT,CR,GUIDE		1
554	1032510	SHAFT,RD,PLANET		1
555	1032513	SHAFT,LEVER,PULLEY,DRIVEN		1
556	1032516	SHAFT,PAPER LOAD,DRIVEN		1
557	1032517	SHAFT,TR,DRIVE		1
558	1032518	SHAFT,TR,GUIDE		1
559	1032519	SLIDER,FRONT		1
560	1032520	OIL PAD		1
561	1032521	TIMING BELT		1
562	1032522	PLATEN		1
563	1032524	ROLLER,PAPER EJECT,DRIVE		1
564	1034016	ROLLER,PAPER LOAD,DRIVE,PJ		1
565	1104404	TRACTOR,LEFT		1
566	1104403	TRACTOR,RIGHT		1
567	1032527	COMPRESSION SPRING,1.96		1
568	1032528	EXTENSION SPRING,14.5		1
569	1032529	COMPRESSION SPRING,1.47		2
570	1032530	EXTENSION SPRING,0.55		4

EPSON

NB: Part Number rationalisation – 10 digit part numbers in brackets are the old numbers for otherwise identical items

LQ-670

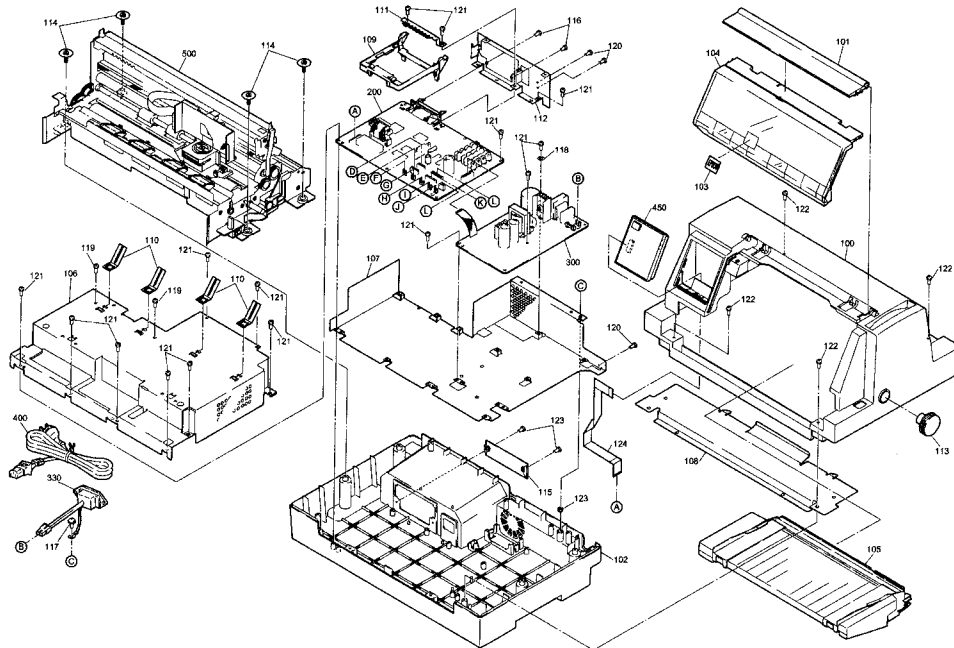
Page No.:3

REF	PART NO	DESCRIPTION	SPEC	QTY
571	1032531	COMPRESSION SPRING,1.96		2
572	1032532	COMPRESSION SPRING,1.47		4
573	1032533	COMPRESSION SPRING,1.96		1
574	1032534	CARRIAGE ASSY.		1
575	1032591	FRAME ASSY.,RIGHT		1
576	1032592	FRAME ASSY.,LEFT		1
577	1032593	BUSHING ASSY.,DRIVEN		1
578	1032594	P.C.B ASSY.,PW		1
579	1034099	HOLDER ASSY.,RIBBON CARTRIDGE		1
580	1034100	CABLE ASSY.,HEAD		1
581	2020393	DETECTOR,LEAF,B2	1,0V,0A,	2
582	2032843	DETECTOR,HP;F	4V,50MA,100MW	1
583	2023487	HARNESS,HP		1
584	2023488	HARNESS,PE,FRONT		1
585	2023489	HARNESS,PG		1
586	2023490	HARNESS,RE		1
587	2023491	HARNESS,PE,REAR		1
588	2023492	MOTOR,CR	DC4.2V/1.2A/5.04 ST	1
589	2023494	MOTOR,PF	DC7.2V/0.45A/3.24W ST	1
590	2047362	DETECTOR,PE,FRONT (ASP)		1
591	2047363	DETECTOR,PE,REAR (ASP)		1
592	1033552	COMPRESSION SPRING,0.049		1
593	1034012	BASE,HOLDER		1
594	1034011	HOLDER,PJ,PE,DETECT		1
595	1044412	ROLLER,PAPER LOAD,SUPPORT		1
600	1071064	C.B.SCREW,2.5X5,F/ZN (B010302211)	M2.5X5	1
601	1004635	C.B.SCREW (B010303311)	M3X6	6
602	1076213	HEXAGON NUT (B070200411)	M4	3
603	1074071	PLAIN WASHER (B100150512)	M3X0.5X8	2
604	1074747	PLAIN WASHER (B100153012)	5X0.3X10	1
605	1076264	PLAIN WASHER (B100166012)	8X0.5X15	1
606	1076285	LEAF SPRING (B101253990)	8.2X0.25X15	1
607	1076287	LEAF SPRING (B101254190)	3.4X0.1X7.3	1
608	1074104	RETAINING RING (B150300611)	TYPE-E(3)	1
609	1074107	RETAINING RING (B150300711)	TYPE-E(4)	3
610	1074768	RETAINING RING (B150300911)	TYPE-E(6)	2
611	1074777	RETAINING RING (B160101412)	TYPE-C	4
612	1073165	C.B.S. SCREW (B300204211)	M3X6	19
613	1073172	C.B.S. SCREW (B300204411)	M3X10	2
614	1073241	C.B.B. SCREW (B310204211)	M3X6	1
650	F060000	PRINT HEAD,DH24-0C0		1
END				

NB: Part Number rationalisation – 10 digit part numbers in brackets are the old numbers for otherwise identical items

LQ-670

Page No.:4

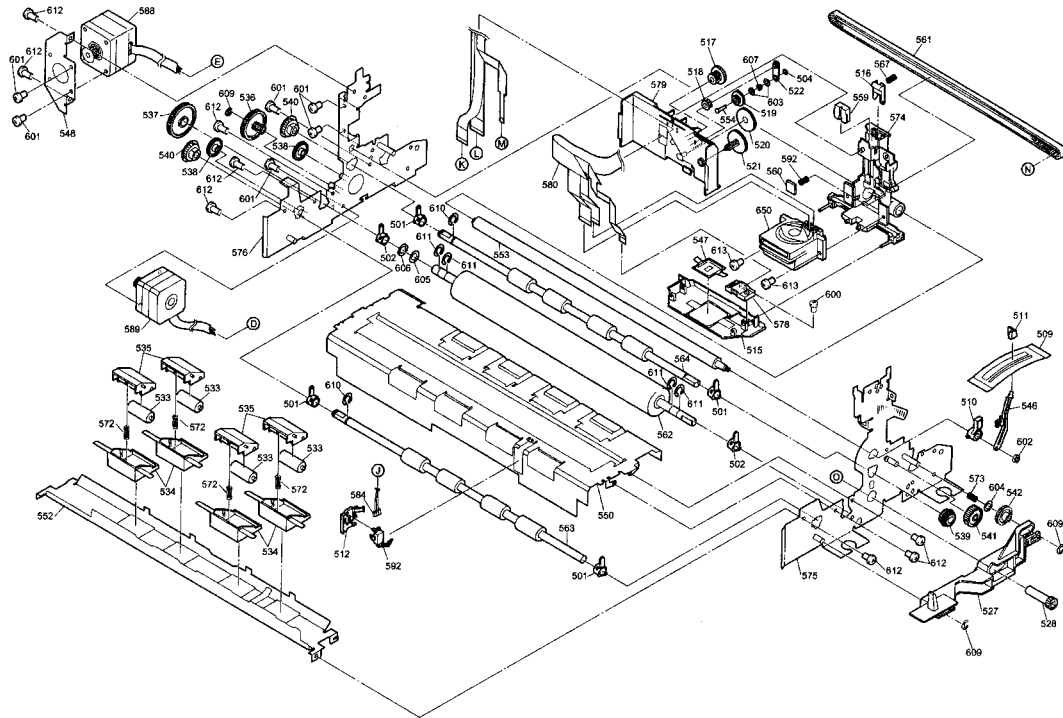


EXPLODED DIAGRAM FOR LQ-670 (1/3)

NB: Part Number rationalisation – 10 digit part numbers in brackets are the old numbers for otherwise identical items

LQ-670

Page No.:5

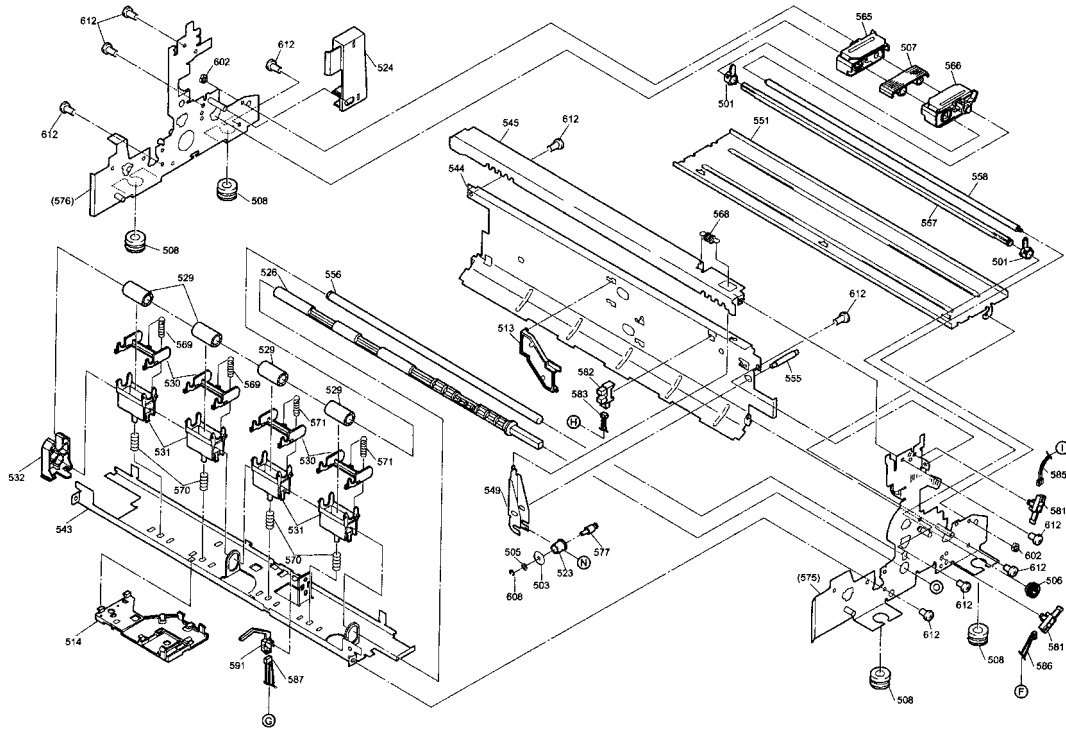


EXPLODED DIAGRAM FOR LQ-670 (2/3)

NB: Part Number rationalisation – 10 digit part numbers in brackets are the old numbers for otherwise identical items

LQ-670

Page No.:6



EXPLODED DIAGRAM FOR LQ-670 (3/3)