

# 7 Parts and diagrams

This section describes Web resources for ordering parts, and for technical support and resources for ordering related documentation and software.

# Parts

Order replacement parts from the following Web sites:

- [www.hp.com/ssg/parts/direct\\_order.html](http://www.hp.com/ssg/parts/direct_order.html)
- HP Parts Store: [www.hp.com/buy/parts](http://www.hp.com/buy/parts)
- Partsurfer: [www.partsurfer.hp.com](http://www.partsurfer.hp.com)
- HP Parts Portal: [www.hp.com/go/HPparts](http://www.hp.com/go/HPparts)

# How to use the parts lists and diagrams

The figures in this chapter show the major subassemblies in the printer and their component parts. A parts list table follows each exploded-view assembly diagram. Each table lists the item number, the associated part number, and the description of each part. If a part is not listed in the table, then it is not a field replacement unit (FRU).



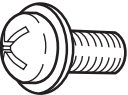
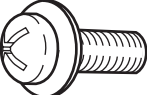
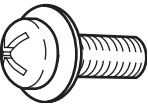
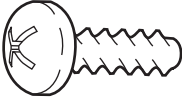


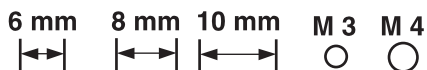
**CAUTION** Be sure to order the correct part. When looking for part numbers for electrical components, pay careful attention to the voltage that is listed in the description column to ensure that the part number selected is for the correct printer model.



**NOTE** In this manual, the abbreviation “PCA” stands for “printed circuit board assembly.” Components described as a PCA might consist of a single circuit board or a circuit board plus other parts, such as cables and sensors.

## Types of screws

Illustration	Description	Size	Part Number	Use
	Screw w/washer	M3X8	XA9-1420-000CN	Used to secure metal components to metal components (for example, a ground wire to the frame)
	Screw, RS	M3X6 M3X10	XA9-1499-000CN	Used to secure metal to metal
	Screw, tapping	M3X6	XA9-1503-000CN	
	Screw	M3X8	XA9-1686-000CN	
	Screw	P-M3X8	XB4-5300-807CN	
	Screw, tapping, truss head	M4X10	XB4-7401-000CN	Used to secure anything to plastic




## Related documentation and software

**Table 7-1** Technical support Web sites

<b>HP Customer Care Online</b>	<a href="http://www.hp.com/go/support">www.hp.com/go/support</a>
Software drivers, support documentation, and answers to frequently asked questions	
<b>HP Technical Training (North America)</b>	<a href="http://www.hp.com/go/resellertraining">www.hp.com/go/resellertraining</a>
Classes and schedules	

## Accessories and supplies

**Table 7-2** Accessories and supplies

Item	Part number	Service/exchange number	Description
Internal (EIO) connectivity	J7934A		HP Jetdirect 620n print server (10/100-TX Ethernet)
500-sheet feeder (tray 3)	Q7548A		Optional accessory
Duplexer	Q7549A		Optional accessory
 <b>NOTE</b> A minimum of an additional 64 MB is needed when adding a duplexer to the printer.			
Memory (DIMMs)	Q7713-67951		Synchronous 32 MB DDR SDRAM DIMM
	Q7714-67951		Synchronous 48 MB DDR SDRAM DIMM
	Q7715-67951		Synchronous 64 MB DDR SDRAM DIMM
	Q7718-67951		Synchronous 128 MB DDR SDRAM DIMM
	Q7719-67951		Synchronous 256 MB DDR SDRAM DIMM
	Q7719-67951		Synchronous 512 MB DDR SDRAM DIMM
Printer supplies	Q7516-67901		Black print cartridge
Cable	C6518A		USB 2.0 printer cable (2-meter [6.5-feet] standard)
	C6520A		USB 2.0 printer cable (3-meter [9.8-feet] standard)
	C2946A		IEEE-1284 parallel (3-meter [9.8-feet] standard)
	92215S		Mac DIN-8 printer cable

**Table 7-2** Accessories and supplies (continued)

Item	Part number	Service/exchange number	Description	
Media	C2934A		50 sheets HP Color LaserJet Transparencies (letter)	
	C2936A		50 sheets HP Color LaserJet Transparencies (A4)	
	Q2419A		200 sheets HP LaserJet High Gloss paper (letter)	
	C4179A		200 sheets HP LaserJet Soft Gloss paper (letter)	
	C4179B		200 sheets HP LaserJet Soft Gloss paper (A4)	
	Q6547A		200 sheets HP LaserJet High Gloss paper (A4)	
	Q6548A		200 sheets HP LaserJet Soft Gloss paper (A3)	
	Q1298A		HP LaserJet Tough paper (letter)	
	Q1298B		HP LaserJet Tough paper (A4)	
	HPU1132		HP Premium Choice LaserJet paper (letter)	
	CHP410		HP Premium Choice LaserJet paper (A4)	
	HPJ1124		HP LaserJet paper (letter)	
	CHP310		HP LaserJet paper (A4)	
	Reference, service, and training materials	5851-1468		<i>HP LaserJet Printer Family Print Media Specification Guide</i>
		5021-0378		<i>PCL/PLJ Technical Reference Package</i>  For downloadable versions, go to <a href="http://www.hp.com/support/lj5200">www.hp.com/support/ lj5200</a> . When connected, select <b>Manuals</b> .
Assembly, service, and training CD	Q7543-60112		CD based service and training information (English)	

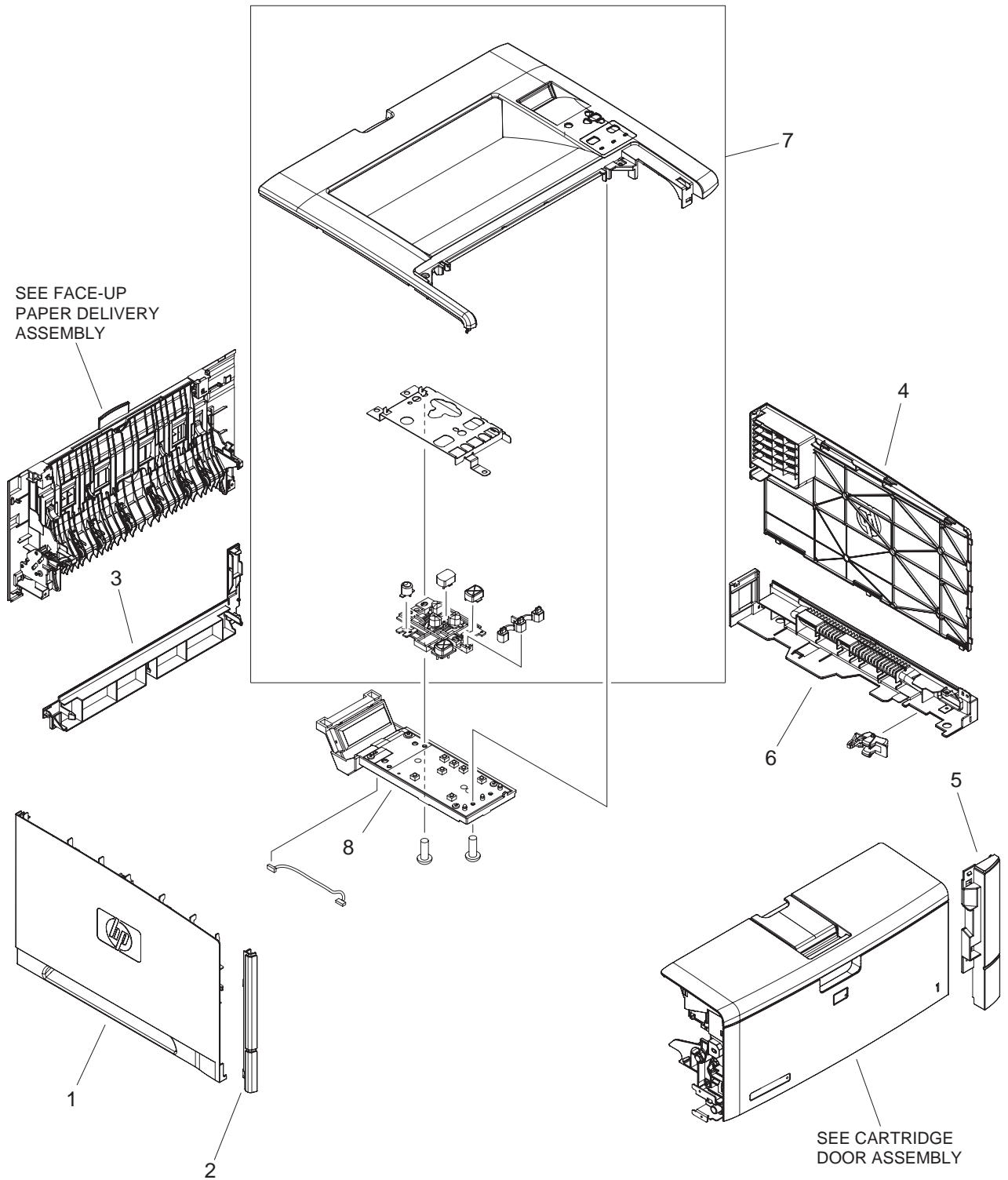
**Table 7-2** Accessories and supplies (continued)

Item	Part number	Service/exchange number	Description
Service manual (this manual)	Q7543-90934		Printed copy of this manual
Control-panel overlays	Q7543-60107		Italian, Spanish, Portuguese
	Q7543-00030		Finnish
	Q7543-00031		French
	Q7543-00032		German
	Q7543-00033		English
	Q7543-00034		Hebrew
	Q7543-00035		Hungarian
	Q7543-00036		Italian
	Q7543-00037		Korean
	Q7543-00038		Norwegian
	Q7543-00039		Polish
	Q7543-60108		German, French, Netherlands
	Q7543-00040		Portuguese
	Q7543-00041		Russian
	Q7543-00042		Simplified Chinese
	Q7543-00043		Spanish
	Q7543-00044		Swedish
	Q7543-00045		Traditional Chinese
	Q7543-00046		Thai
	Q7543-00047		Turkish
	Q7543-00050		Japanese
	Q7543-60109		Norwegian, Swedish, Finnish
	Q7543-60110		Czech, Hungarian, Polish
	Q7543-00026		Arabic
	Q7543-00027		Czech
	Q7543-00028		Danish
	Q7543-00029		Netherlands
Q7543-60114		German, French, Italian	

**Table 7-2** Accessories and supplies (continued)

<b>Item</b>	<b>Part number</b>	<b>Service/exchange number</b>	<b>Description</b>
Formatter	Q6497-67901 (new)		48 MB (base model)
	Q6497-69001 (exchange)		
	Q6498-67901 (new)		64 MB (5200n and 5200tn)
	Q6498-69001 (exchange)		128 MB (5200dtn)
	Q6499-67901 (new)		36 MB (5200L)
	Q6499-69001 (exchange)		

# External panels and covers

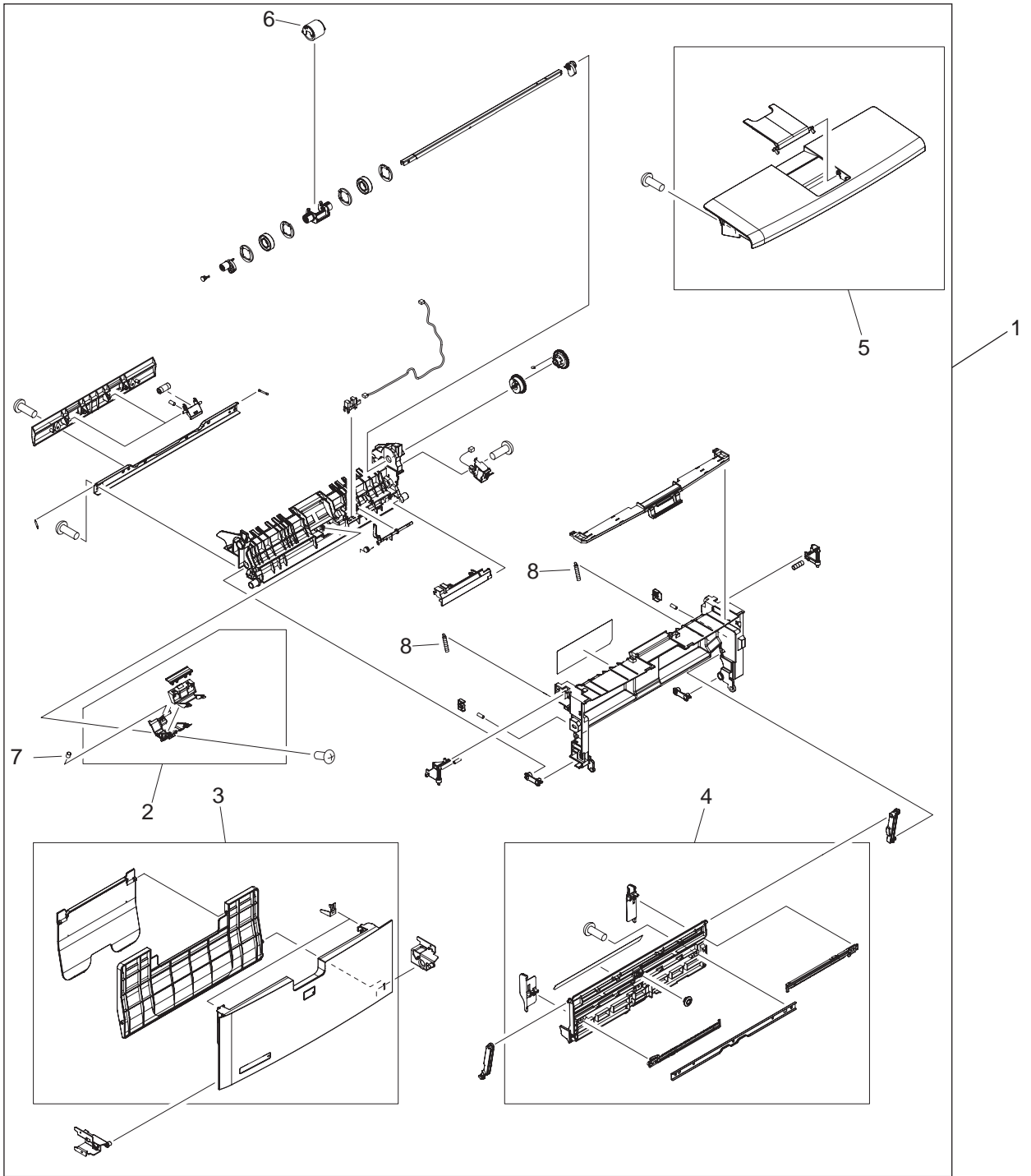


**Figure 7-1** External panel and covers



**Table 7-3** External panels and covers

<b>Ref</b>	<b>Description</b>	<b>Part number</b>	<b>Qty</b>
1	Cover, left	RC1-7051-000CN	1
2	Cover, left front	RC1-7052-000CN	1
3	Cover, rear lower	RC1-7174-000CN	1
4	Cover, right	RC1-7211-000CN	1
5	Cover, right front	RC1-7212-000CN	1
6	Cover, right lower	RC1-7210-000CN	1
7	Top cover assembly	RM1-2471-000CN	1
8	PCB, operation panel	RK2-1097-000CN	1



**Figure 7-2** Cartridge door unit

**Table 7-4** External panels and covers

<b>Ref</b>	<b>Description</b>	<b>Part number</b>	<b>Qty</b>
1	Cartridge door unit	RM1-2458-000CN	1
2	Multipurpose pad assembly	RM1-2462-000CN	1
3	Multipurpose cover assembly	RM1-2463-000CN	1
4	Multipurpose tray assembly	RM1-2465-000CN	1
5	Cartridge cover assembly	RM1-2470-000CN	1
6	Roller, multipurpose paper pickup	RL1-0915-000CN	1
7	Spring, compression	RU5-2553-000CN	1
8	Spring, tension	RU5-2548-000CN	1

# Internal components

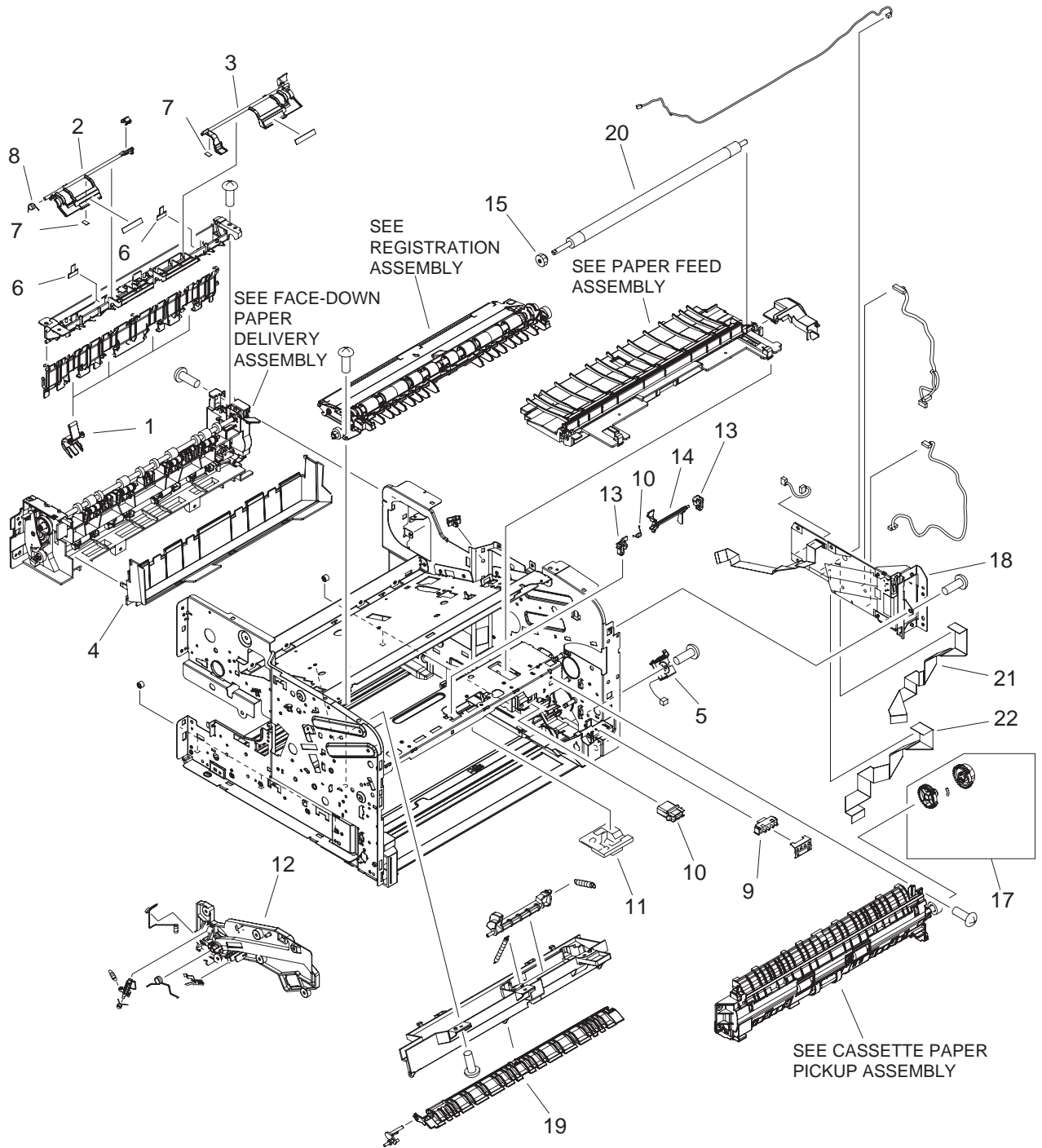
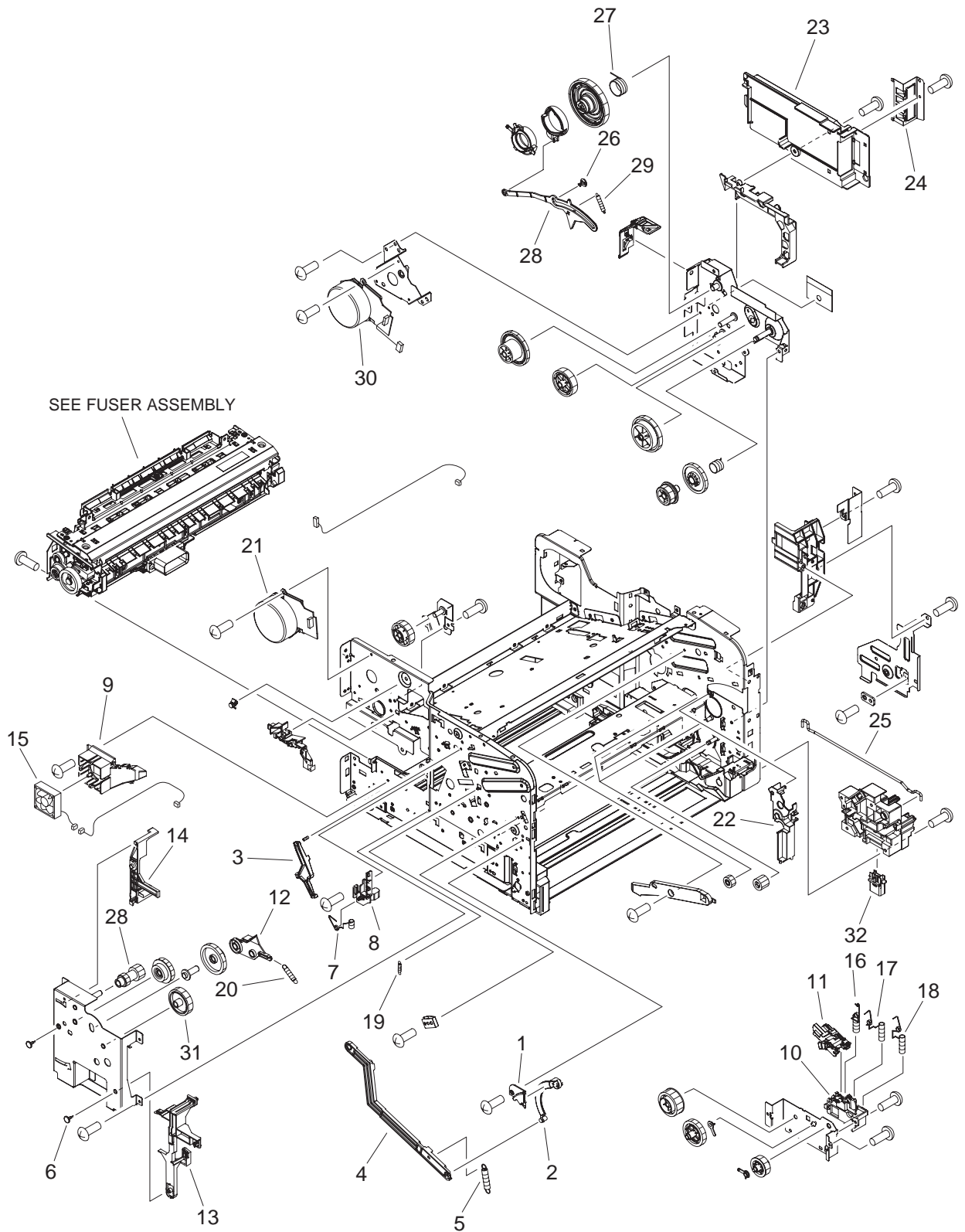


Figure 7-3 Internal components (1 of 3)

**Table 7-5** Internal components (1 of 3)

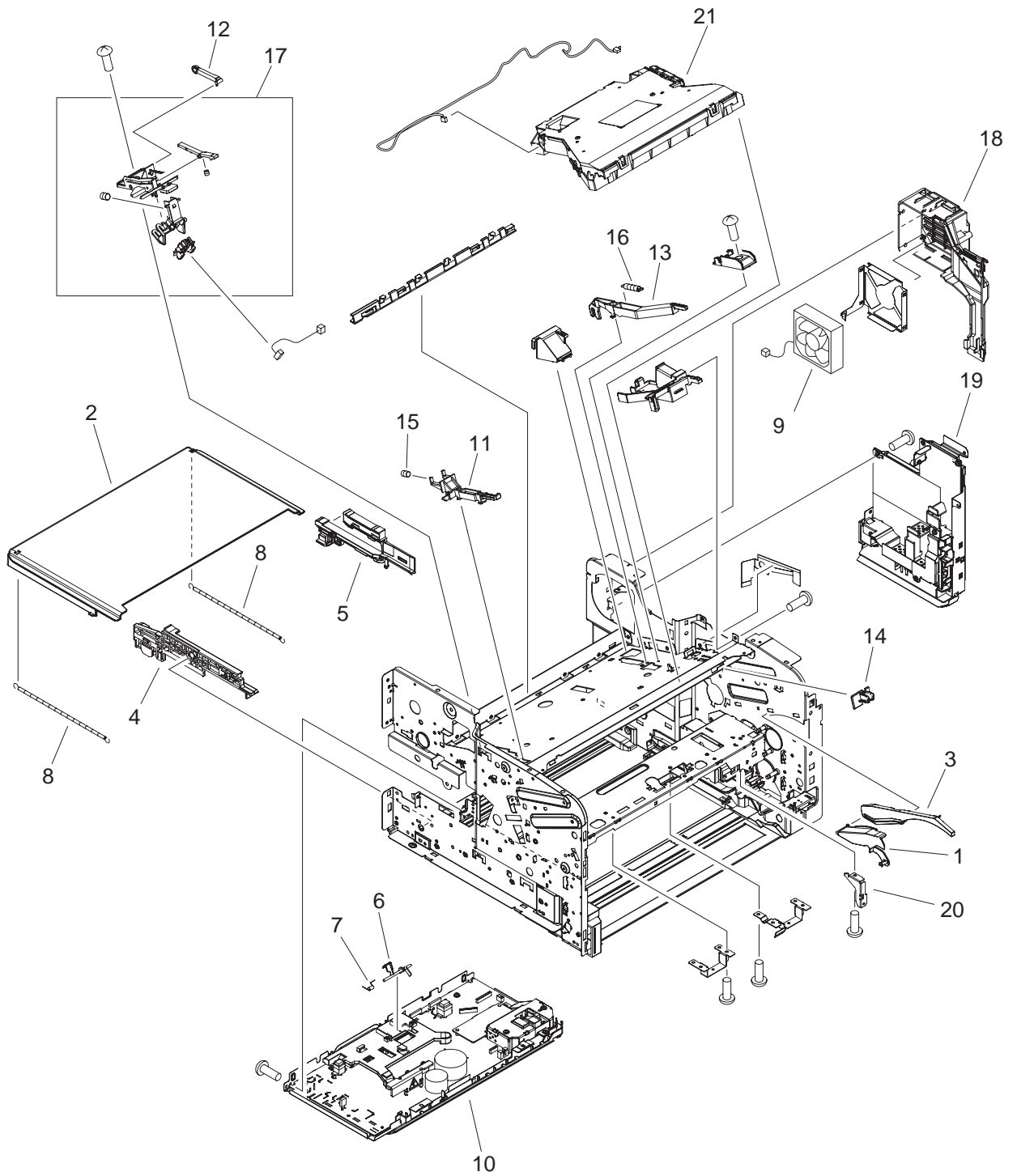
<b>Ref</b>	<b>Description</b>	<b>Part number</b>	<b>Qty</b>
1	Cover, paper-delivery roller	RC1-7047-000CN	4
2	Flag, face-down	RC1-7460-000CN	1
3	Flag, paper-full detect	RC1-7459-000CN	1
4	Cover, face-down	RC1-7192-000CN	1
5	Solenoid	RK2-1096-000CN	1
6	Sheet, flag	RC1-7461-000CN	2
7	Sheet, face-down	RC1-7462-000CN	2
8	Spring, torsion	RU5-2584-000CN	1
9	Switch, cassette-size detect	RK2-1103-000CN	1
10	Connector, drawer	VS1-7258-007CN	1
11	Holder, top sensor	RC1-7268-000CN	1
12	Guide, cartridge, left	RC1-7121-000CN	1
13	Bushing	RC1-7249-000CN	2
14	Flag, top sensor	RC1-7261-000CN	1
15	Gear, 13T	RU5-0536-000CN	1
16	Spring, torsion	RU5-2596-000CN	1
17	Paper-pickup roller-gear assembly	RM1-2474-000CN	1
18	DC controller assembly	RM1-4098-000CN	1
19	Shutter, fusing	RC1-7163-000CN	1
20	Roller, transfer	RM1-2485-000CN	1
21	Cable, flexible flat, 21P	RK2-1053-000CN	1
22	Cable, flexible flat, 23P	RK2-1055-000CN	1



**Figure 7-4** Internal components (2 of 3)

**Table 7-6** Internal components (2 of 3)

<b>Ref</b>	<b>Description</b>	<b>Part number</b>	<b>Qty</b>
1	Guide, cartridge door stopper	RC1-7022-000CN	1
2	Stopper, cartridge door	RC1-7023-000CN	1
3	Arm, lock	RC1-7244-000CN	1
4	Lever, fuser release	RC1-7405-000CN	1
5	Spring, tension	RU5-2550-000CN	1
6	Stopper, bushing arm	RC1-3090-000CN	2
7	Spring, compression	RC1-7127-000CN	1
8	Holder, fusing bias contact	RC1-7128-000CN	1
9	Holder, fan	RC1-7169-000CN	1
10	Holder, contact	RC1-7241-000CN	1
11	Cover	RC1-7265-000CN	1
12	Plate, fuser swing	RC1-7403-000CN	1
13	Lever, fuser release	RC1-7406-000CN	2
14	Lever, paper-delivery release	RC1-7408-000CN	1
15	Fan, sub	RK2-1091-000CN	1
16	Spring, compression	RU5-2587-000CN	1
17	Spring, compression	RU5-2588-000CN	1
18	Spring, compression	RU5-2589-000CN	1
19	Spring, tension	RU5-2591-000CN	1
20	Spring, tension	RU5-2644-000CN	1
21	Fuser motor assembly	RM1-2538-000CN	1
22	Cover, gear, lower right	RC1-7020-000CN	1
23	Cover, DC controller	RC1-7217-000CN	1
24	Plate, connector grounding	RC1-7220-000CN	1
25	Rod, power-supply switch	RC1-7226-000CN	1
26	Stopper, link	RC1-7288-000CN	1
27	Spring, compression	RU5-2630-000CN	1
28	Lever, coupling	RC1-7285-000CN	1
29	Spring, tension	RU5-2632-000CN	1
30	Main motor assembly	RM1-2516-000CN	1
31	Connector, drawer	VS1-7258-007CN	1



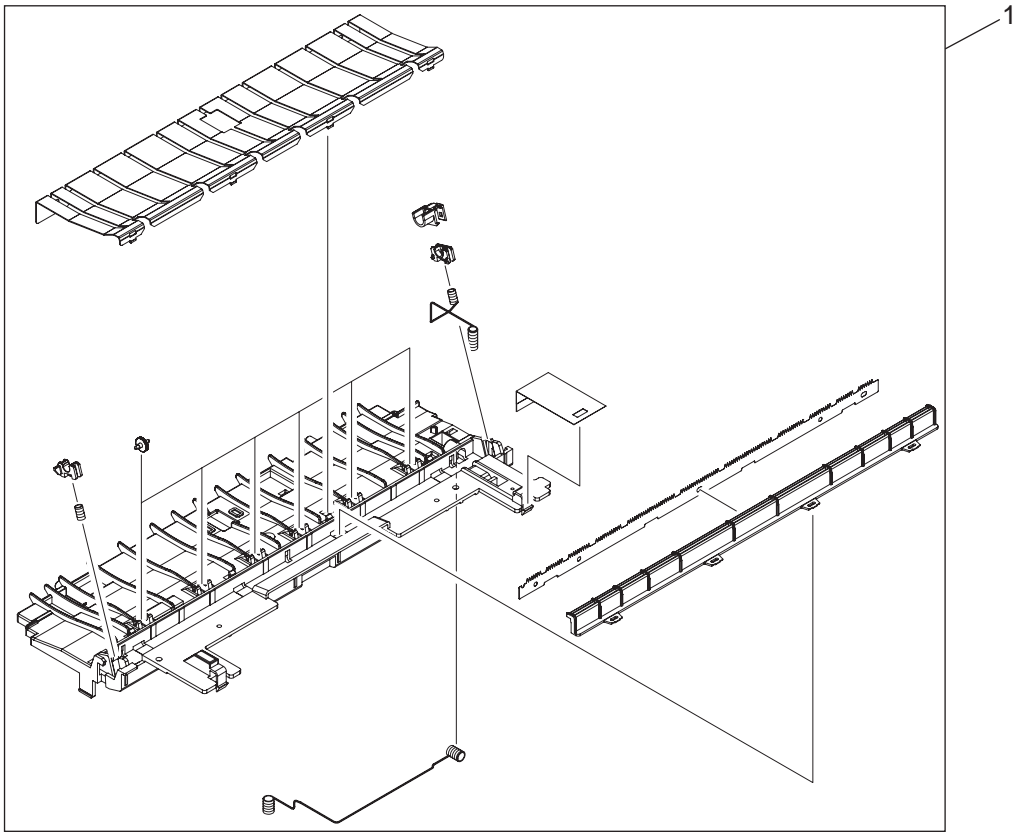
**Figure 7-5** Internal components (3 of 3)



**Table 7-7** Internal components (3 of 3)

<b>Ref</b>	<b>Description</b>	<b>Part number</b>	<b>Qty</b>
1	Cover, gear, upper right	RC1-7209-000CN	1
2	Cover, dust	RC1-7118-000CN	1
3	Guide, cartridge, lower right	RC1-7286-000CN	1
4	Guide, duplexer, left	RC1-7379-000CN	1
5	Guide, duplexer, right	RC1-7380-000CN	1
6	Flag, loop sensor	RC1-7144-000CN	1
7	Spring, torsion	RC1-7145-000CN	1
8	Spring, tension	RU5-2563-000CN	2
9	Fan	RK2-1089-000CN	1
10	High-voltage power supply (110V-127V)	RM1-2957-000CN	1
10	High-voltage power supply (220V-240V)	RM1-2958-000CN	1
11	Link, tag	RC1-7289-000CN	1
12	Link, tag lock	RC1-7294-000CN	2
13	Lever, shutter	RC1-7451-000CN	1
14	Cover, shutter lever	RC1-7452-000CN	1
15	Spring, compression	RU5-2633-000CN	1
16	Spring, tension	RU5-2651-000CN	1
17	Tag holder assembly	RM1-2514-000CN	1
18	Holder, fan	RC1-7434-000CN	1
19	Low-voltage power supply (110V-127V)	RM1-2926-000CN	1
19	Low-voltage power supply (220V-240V)	RM1-2951-000CN	1
20	Plate, cross member auxiliary	RC1-7264-000CN	1
21	Laser/scanner assembly	RM1-2555-000CN	1

## Paper-feed assembly



**Figure 7-6** Paper-feed assembly

**Table 7-8** Paper-feed assembly

<b>Ref</b>	<b>Description</b>	<b>Part number</b>	<b>Qty</b>
1	Paper-feed assembly	RM1-2482-000CN	1

# Face-up delivery assembly

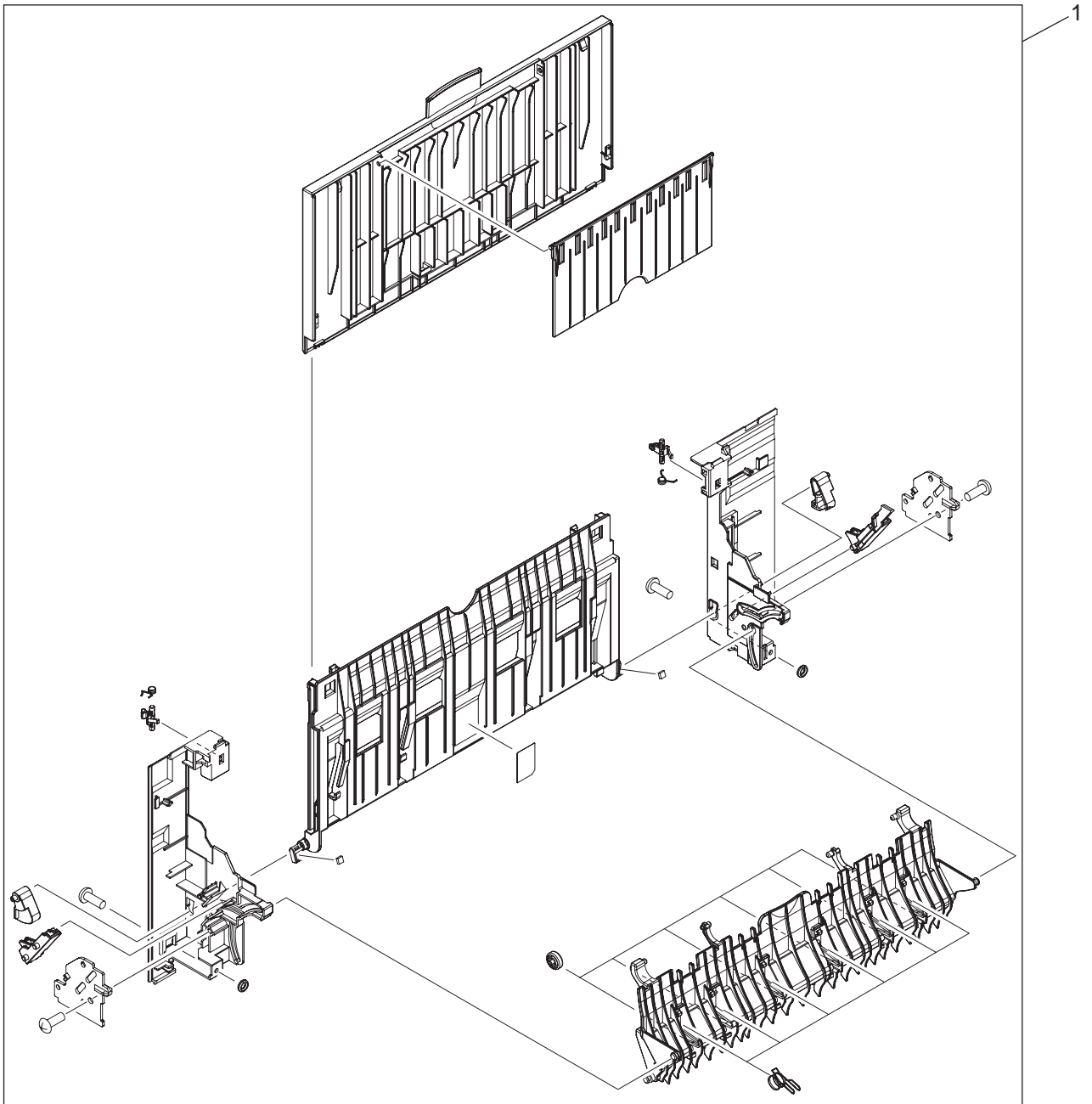


Figure 7-7 Face-up delivery assembly

**Table 7-9** Face-up delivery assembly

<b>Ref</b>	<b>Description</b>	<b>Part number</b>	<b>Qty</b>
1	Face-up delivery assembly	RM1-2492-000CN	1

# Face-down delivery assembly

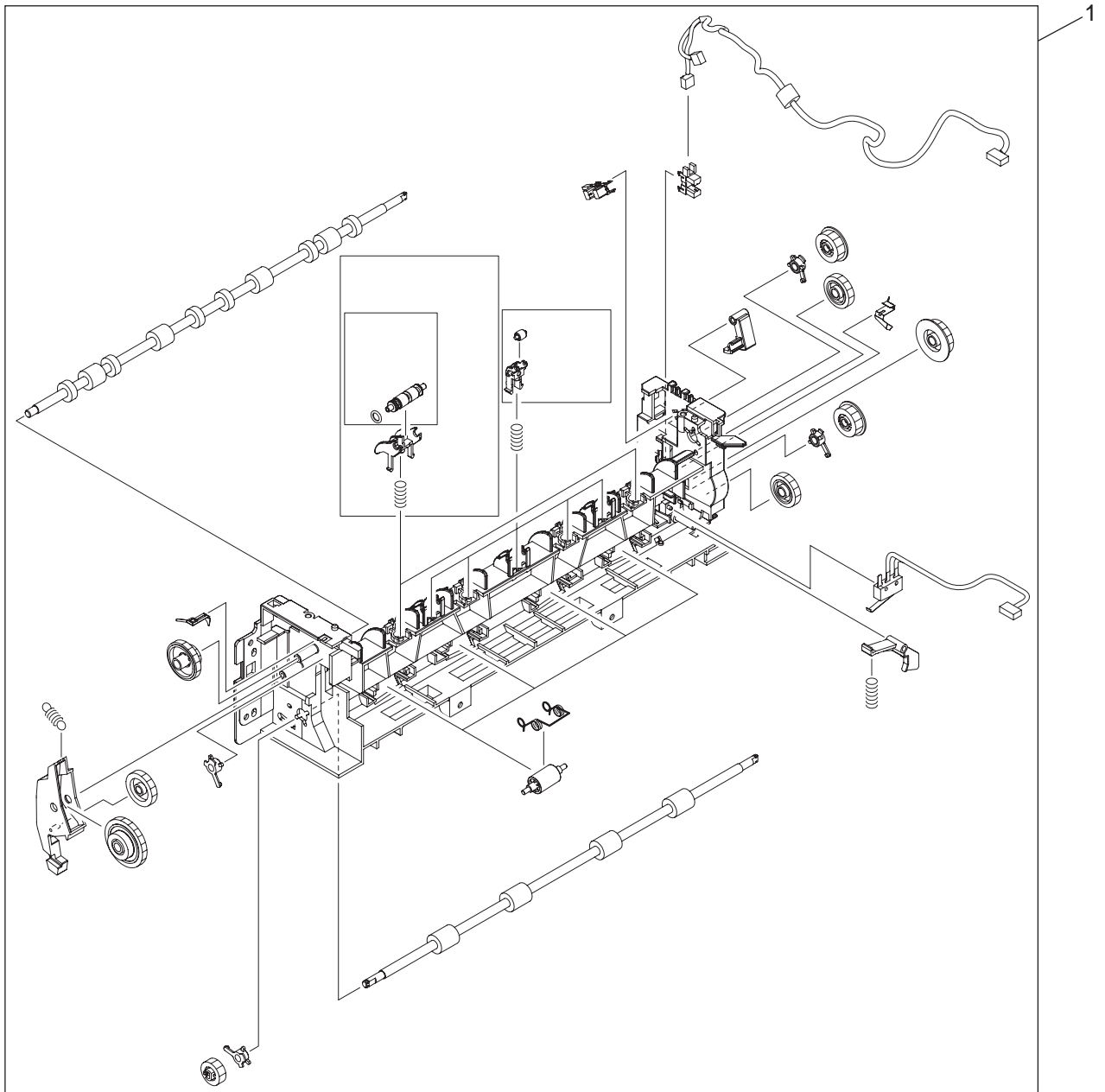
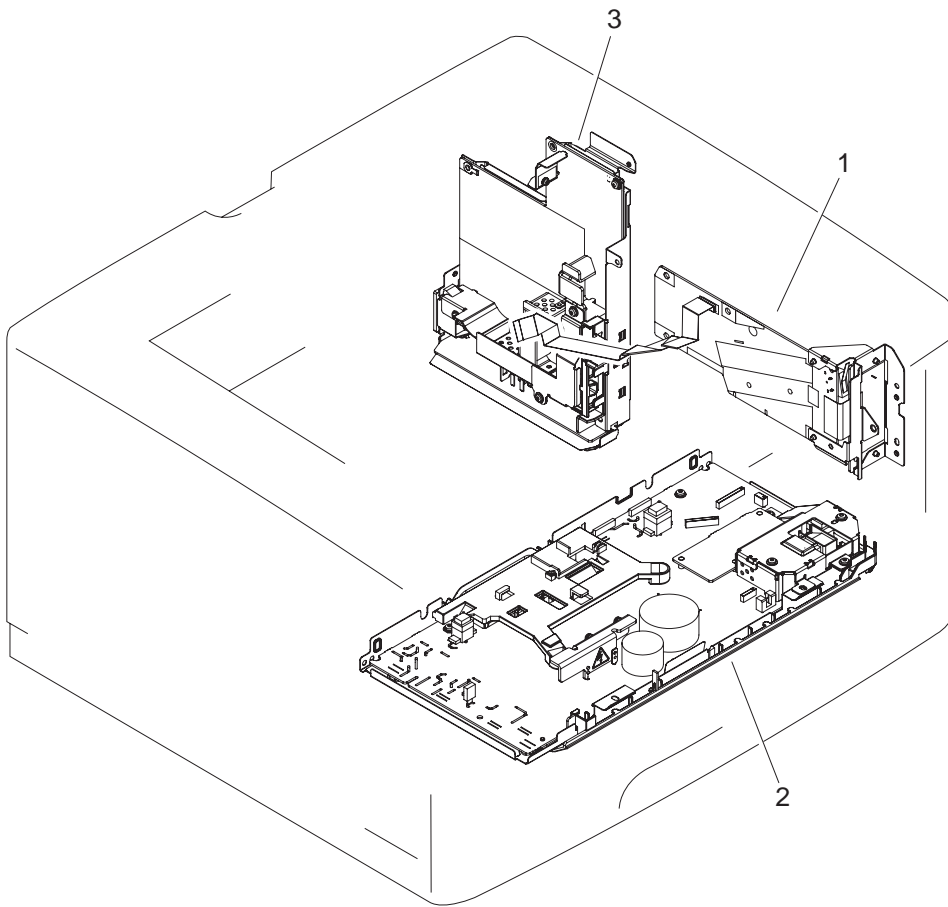


Figure 7-8 Face-down delivery assembly

**Table 7-10** Face-down delivery assembly

<b>Ref</b>	<b>Description</b>	<b>Part number</b>	<b>Qty</b>
1	Face-down delivery assembly	RM1-2490-000CN	1

# PCAs



**Figure 7-9** PCA assembly



**Table 7-11** PCA assembly

<b>Ref</b>	<b>Description</b>	<b>Part number</b>	<b>Qty</b>
1	DC controller PCA assembly	RM1-4098-000CN	1
2	High-voltage PCA assembly (110V-127V)	RM1-2957-000CN	1
2	High-voltage PCA assembly (220V-240V)	RM1-2958-000CN	1
3	Low-voltage PCA assembly (110V-127V)	RM1-2926-000CN	1
3	Low-voltage PCA assembly (220V-240V)	RM1-2951-000CN	1

# Fuser

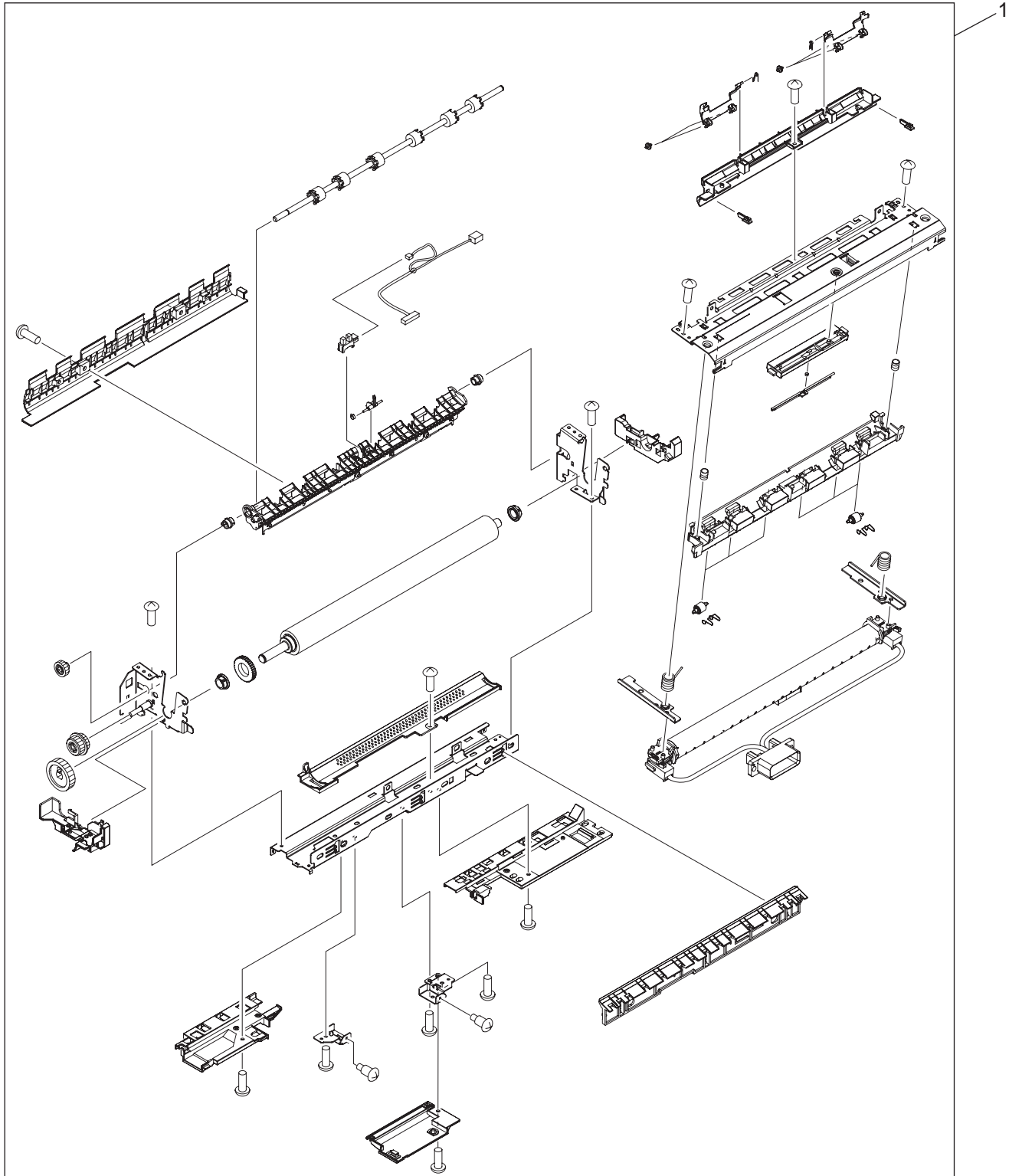


Figure 7-10 Fuser

**Table 7-12** Fuser

<b>Ref</b>	<b>Description</b>	<b>Part number</b>	<b>Qty</b>
1	Fuser assembly (110V-127V)	RM1-2522-000CN	1
1	Fuser assembly (220V-240V)	RM1-2524-000CN	1

## Cassette (tray 2)

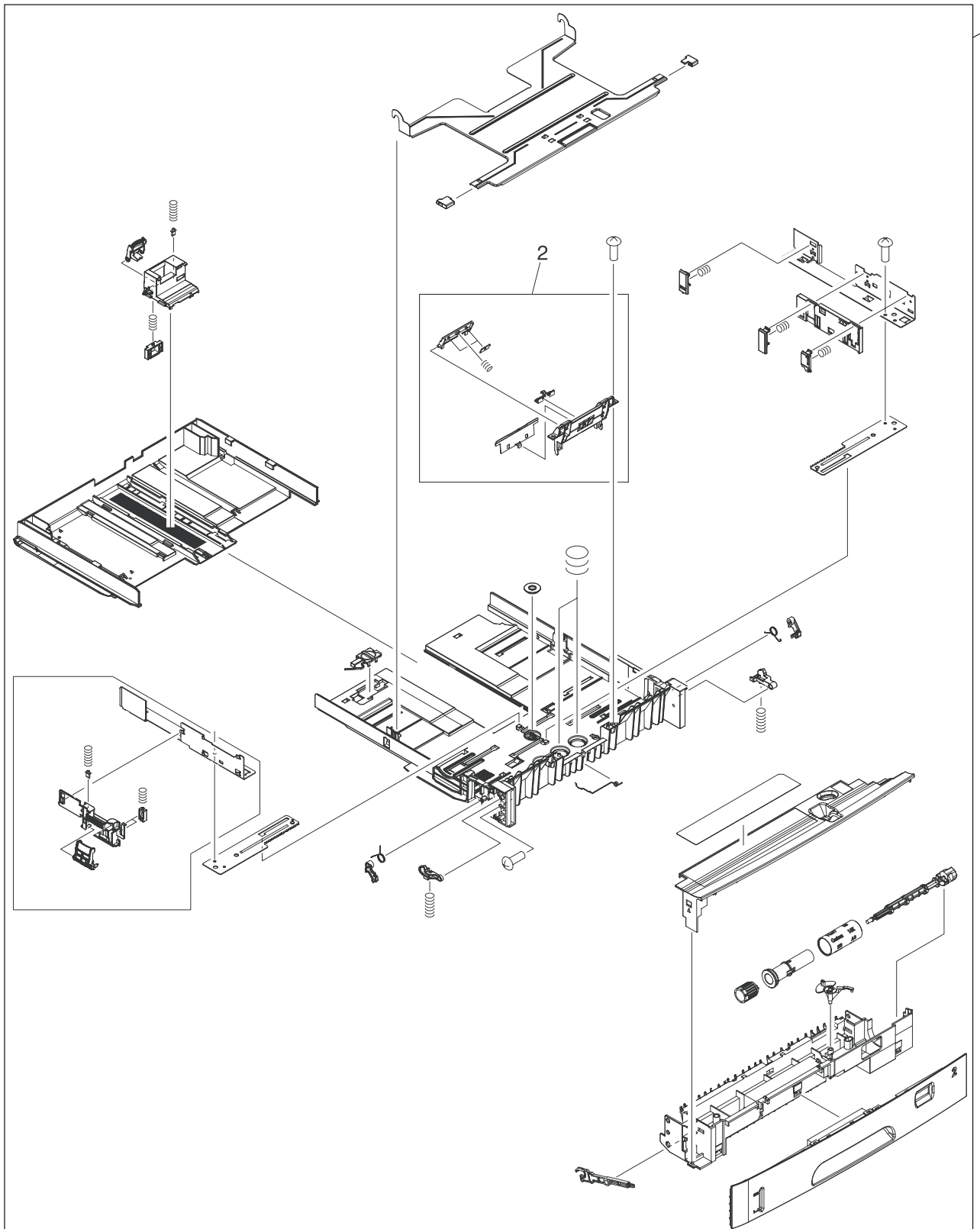
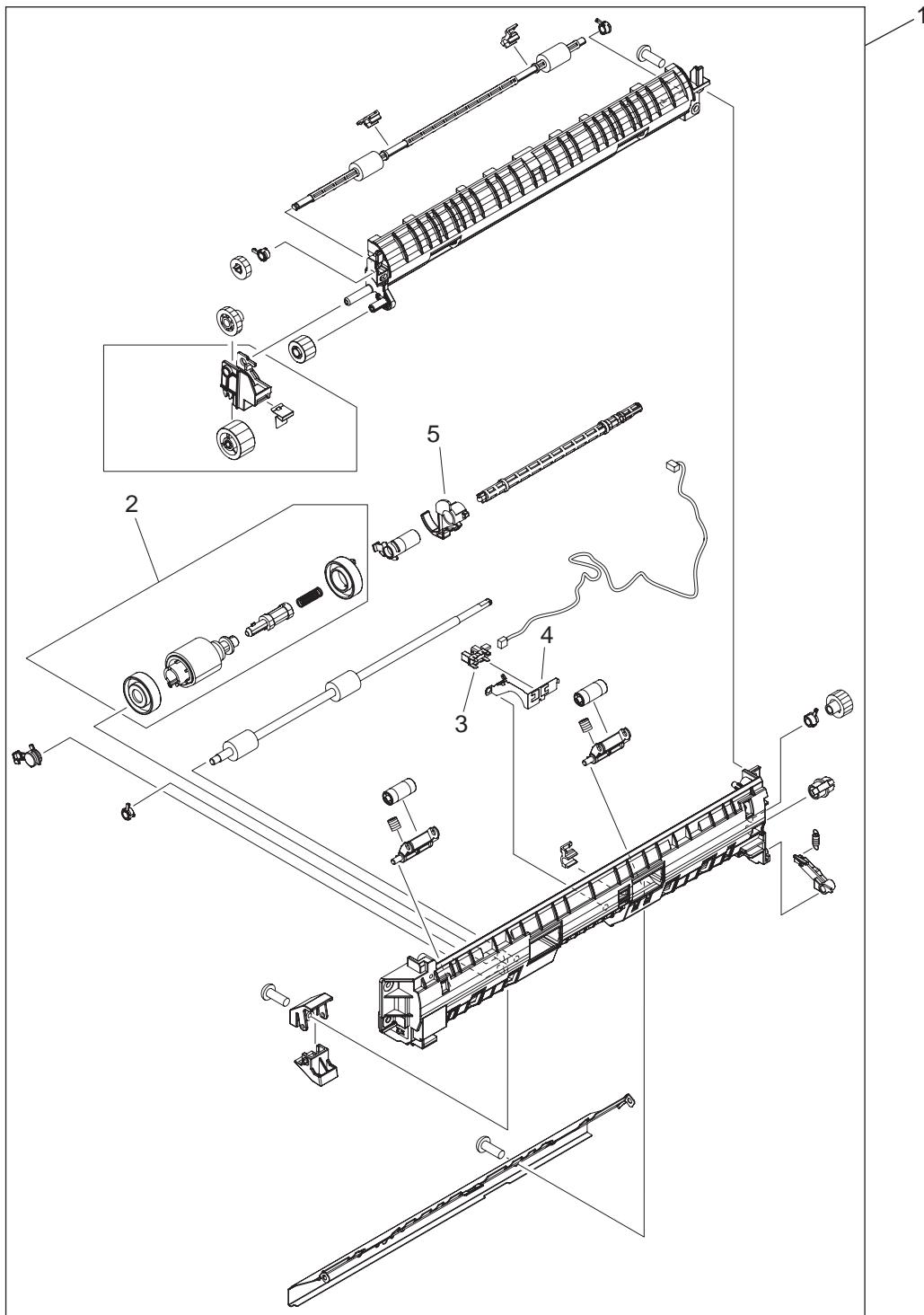


Figure 7-11 Cassette (tray 2)

**Table 7-13** Cassette (tray 2)

<b>Ref</b>	<b>Description</b>	<b>Part number</b>	<b>Qty</b>
1	Cassette, 250-sheet	RM1-2479-000CN	1
2	Separation-holder assembly	RM1-2546-000CN	1

## Cassette (tray 2) paper-pickup assembly

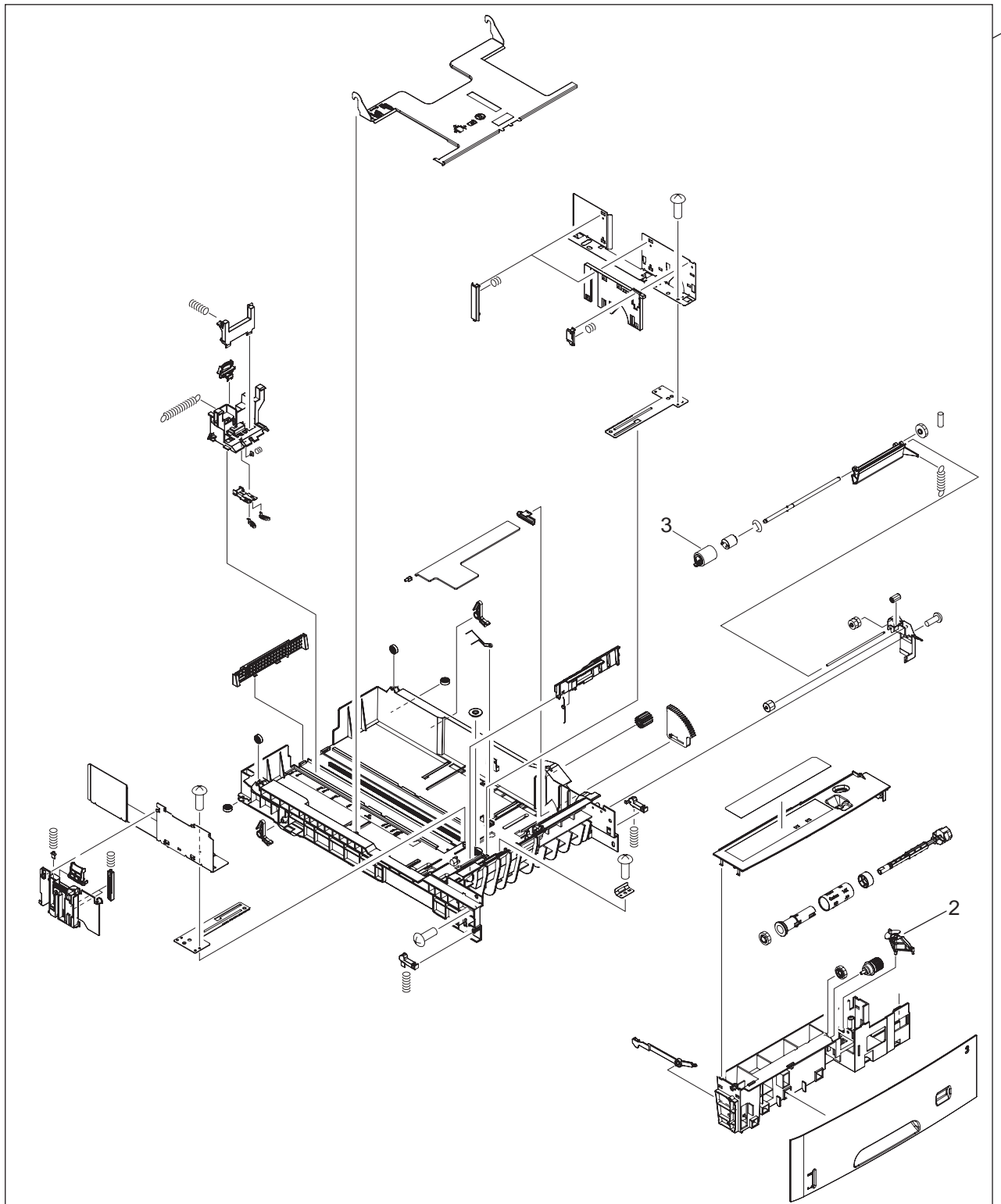


**Figure 7-12** Cassette (tray 2) paper-pickup assembly

**Table 7-14** Cassette (tray 2) paper-pickup assembly

<b>Ref</b>	<b>Description</b>	<b>Part number</b>	<b>Qty</b>
1	Paper-pickup assembly, cassette	RM1-2530-000CN	1
2	Paper-pickup-roller assembly, cassette	RM1-0731-030CN	1
3	Photointerruptor	WG8-5696-000CN	1
4	Cover, sensor, 250-sheet cassette	RC1-7080-000CN	1
5	Lever, paper sensor, 250-sheet cassette	RC1-7410-000CN	1

## 500-sheet feeder cassette (tray 3)



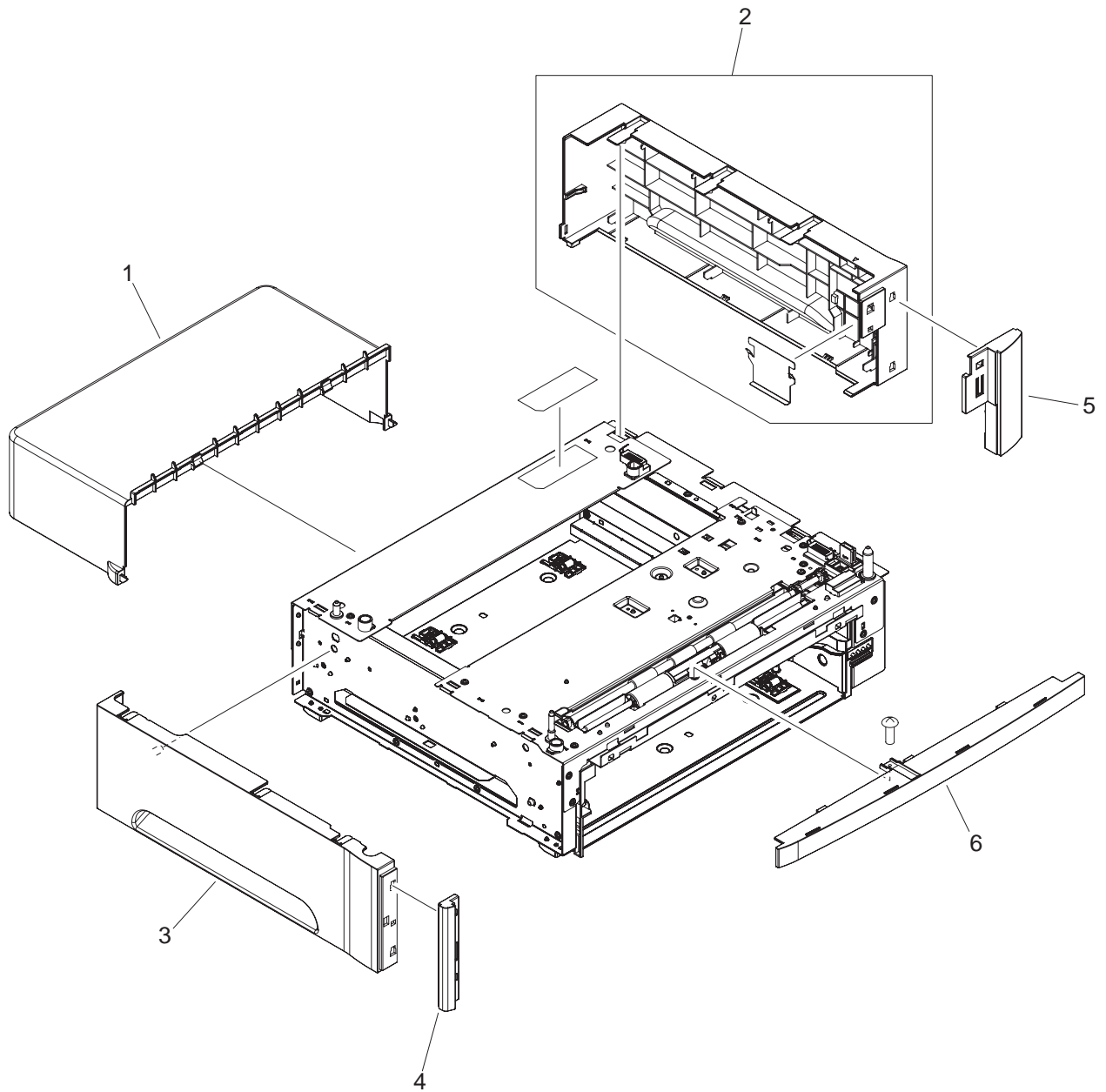
**Figure 7-13** 500-sheet feeder cassette (tray 3)



**Table 7-15** 500-sheet feeder cassette (tray 3)

<b>Ref</b>	<b>Description</b>	<b>Part number</b>	<b>Qty</b>
1	500-sheet cassette (only), tray 3	RM1-2900-000CN	1
2	Flag, size sensing	RC1-7877-000CN	1
3	Paper-feed roller assembly	RM1-0037-020CN	1

## 500-sheet feeder, cassette, external panels and covers



**Figure 7-14** 500-sheet feeder cassette external panels and covers

**Table 7-16** 500-sheet feeder cassette external panels and covers

<b>Ref</b>	<b>Description</b>	<b>Part number</b>	<b>Qty</b>
1	Cover, rear, 500-sheet cassette	RC1-7808-000CN	1
2	Cover, right, 500-sheet cassette	RM1-2899-000CN	1
3	Cover, left, 500-sheet cassette	RC1-7803-000CN	1
4	Cover, left front, 500-sheet cassette	RK2-1062-000CN	1
5	Cover, right front, 500-sheet cassette	RC1-7806-000CN	1
6	Cover, front lower, 500-sheet cassette	RC1-7807-000CN	1

# 500-sheet feeder internal components

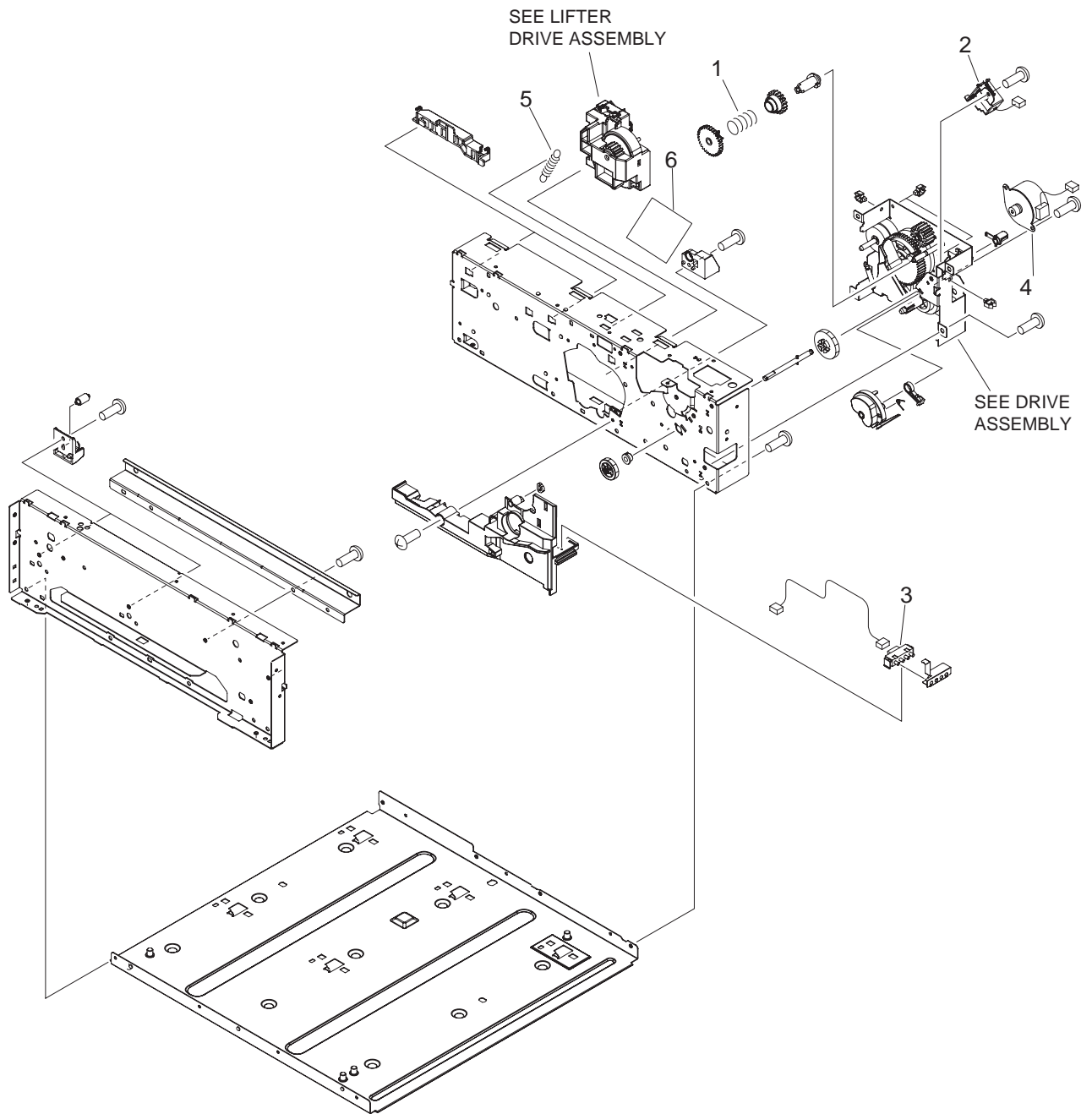


Figure 7-15 500-sheet feeder internal components

**Table 7-17** 500-sheet feeder internal components

<b>Ref</b>	<b>Description</b>	<b>Part number</b>	<b>Qty</b>
1	Spring, compression	RU5-2061-000CN	1
2	Solenoid	RK2-0269-000CN	1
3	Switch, cassette-size detect	RK2-1103-000CN	1
4	Motor, stepping, DC	RC1-7804-000CN	1
5	Spring, tension	RC1-0198-000CN	1
6	Paper-feeder driver PCA assembly	RM1-4292-000CN	1

# 500-sheet feeder paper-pickup assembly

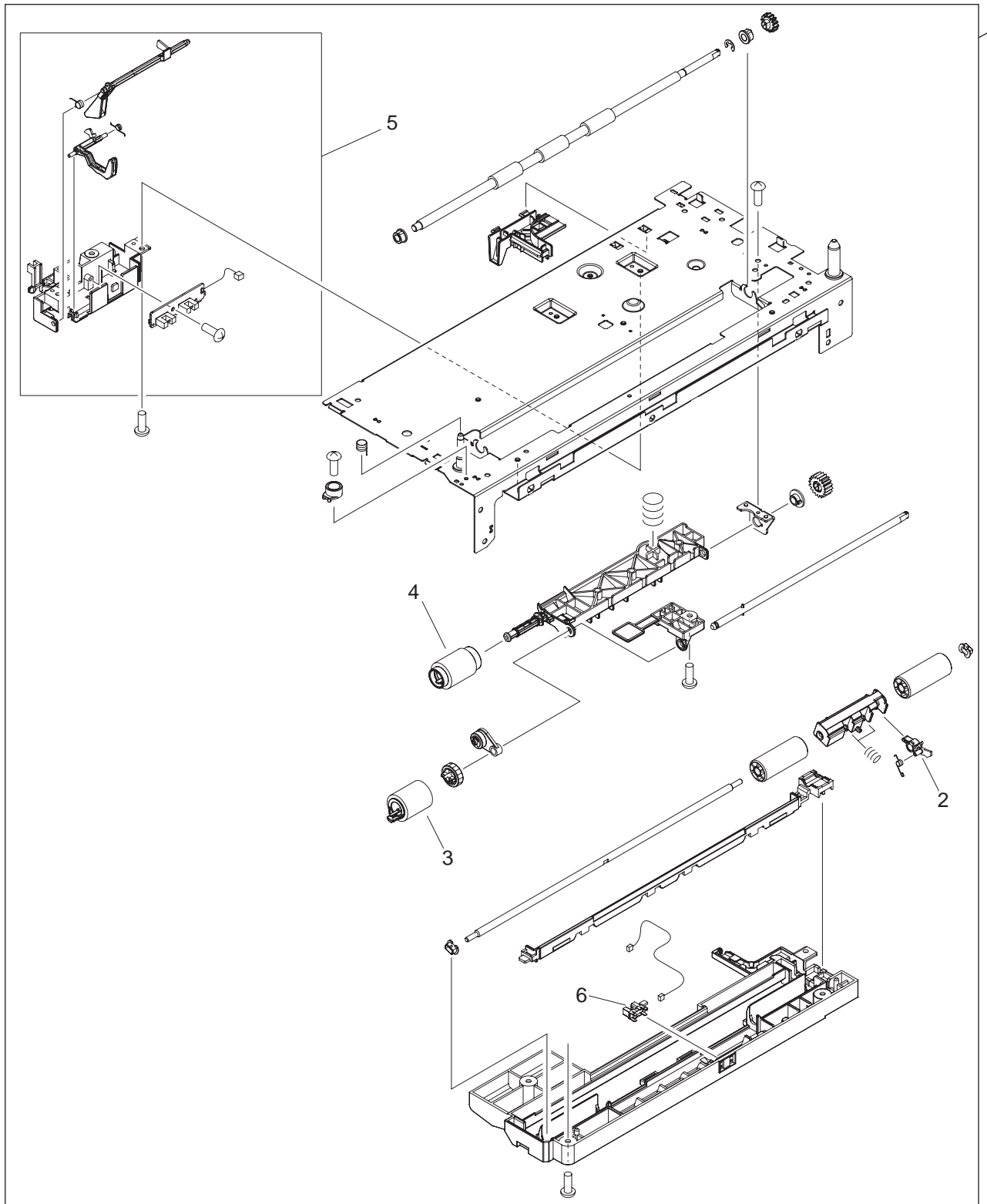
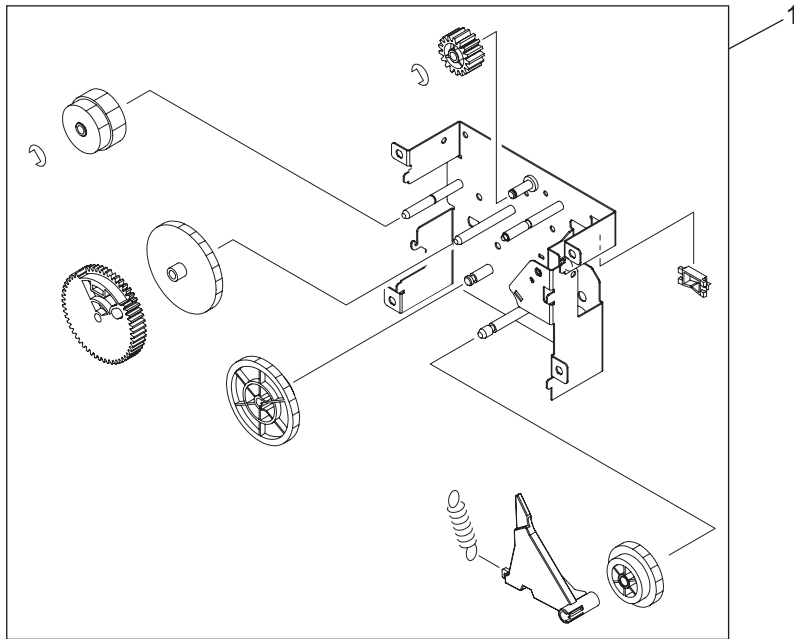


Figure 7-16 500-sheet feeder paper-pickup assembly

**Table 7-18** 500-sheet feeder paper-pickup assembly

<b>Ref</b>	<b>Description</b>	<b>Part number</b>	<b>Qty</b>
1	500-sheet feeder paper-pickup assembly	RM1-2896-000CN	1
2	Flag, sensor, top	RC1-7836-000CN	1
3	Paper-pickup-roller assembly (500-sheet feeder)	RM1-0036-020CN	1
4	Paper-feed-roller assembly (500-sheet feeder)	RM1-0037-000CN	1
5	Sensor assembly	RM1-2897-000CN	1
6	Photo interrupter, TLP1243	WG8-5696-000CN	1

## 500-sheet feeder drive assembly



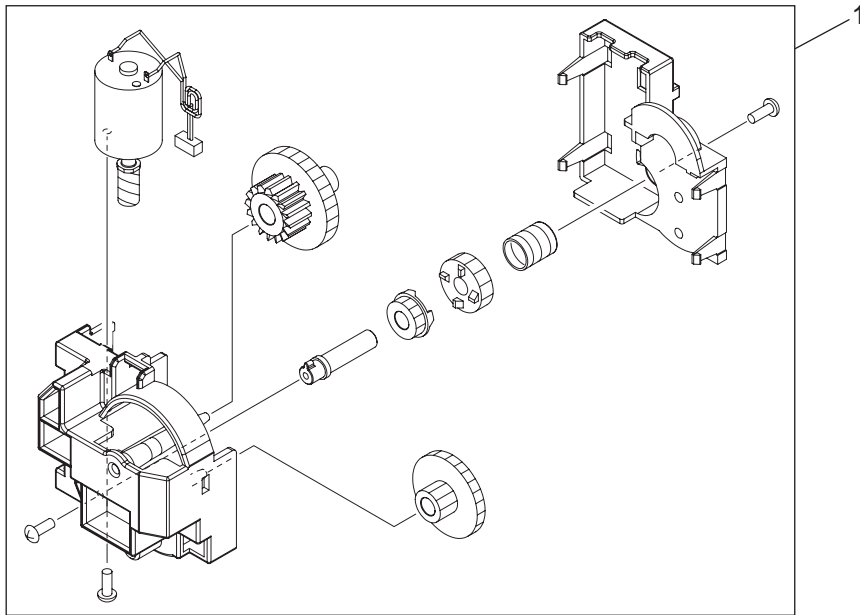
**Figure 7-17** 500-sheet feeder drive assembly



**Table 7-19** 500-sheet feeder drive assembly

<b>Ref</b>	<b>Description</b>	<b>Part number</b>	<b>Qty</b>
1	500-sheet feeder drive assembly	RM1-2909-000CN	1

## 500-sheet feeder lifter-drive assembly



**Figure 7-18** 500-sheet feeder lifter-drive assembly

**Table 7-20** 500-sheet feeder lifter-drive assembly

<b>Ref</b>	<b>Description</b>	<b>Part number</b>	<b>Qty</b>
1	500-sheet feeder lifter-drive assembly	RM1-2912-000CN	1

## 500-sheet feeder PCA

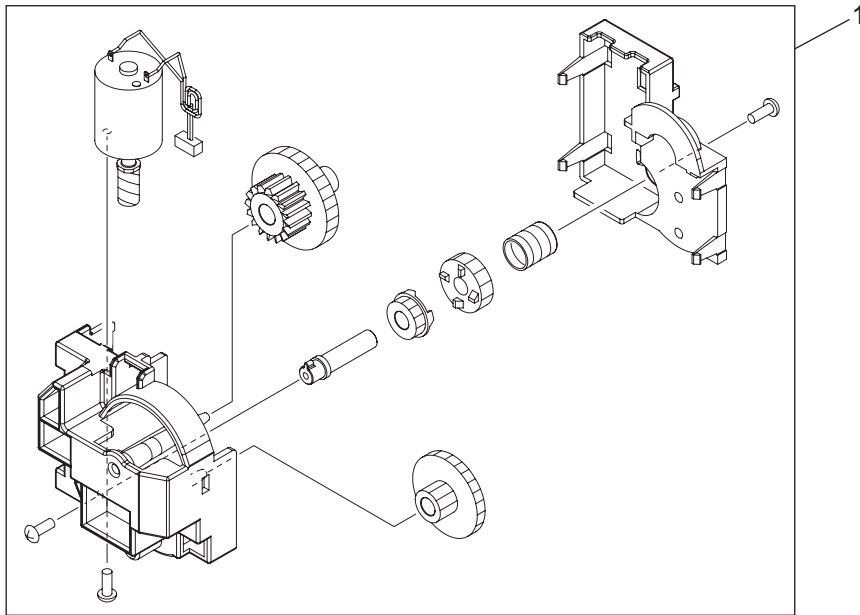


Figure 7-19 500-sheet feeder PCA

**Table 7-21** 500-sheet feeder PCA

<b>Ref</b>	<b>Description</b>	<b>Part number</b>	<b>Qty</b>
1	500-sheet feeder PCA	RM1-4292-000CN	1

# Duplexer

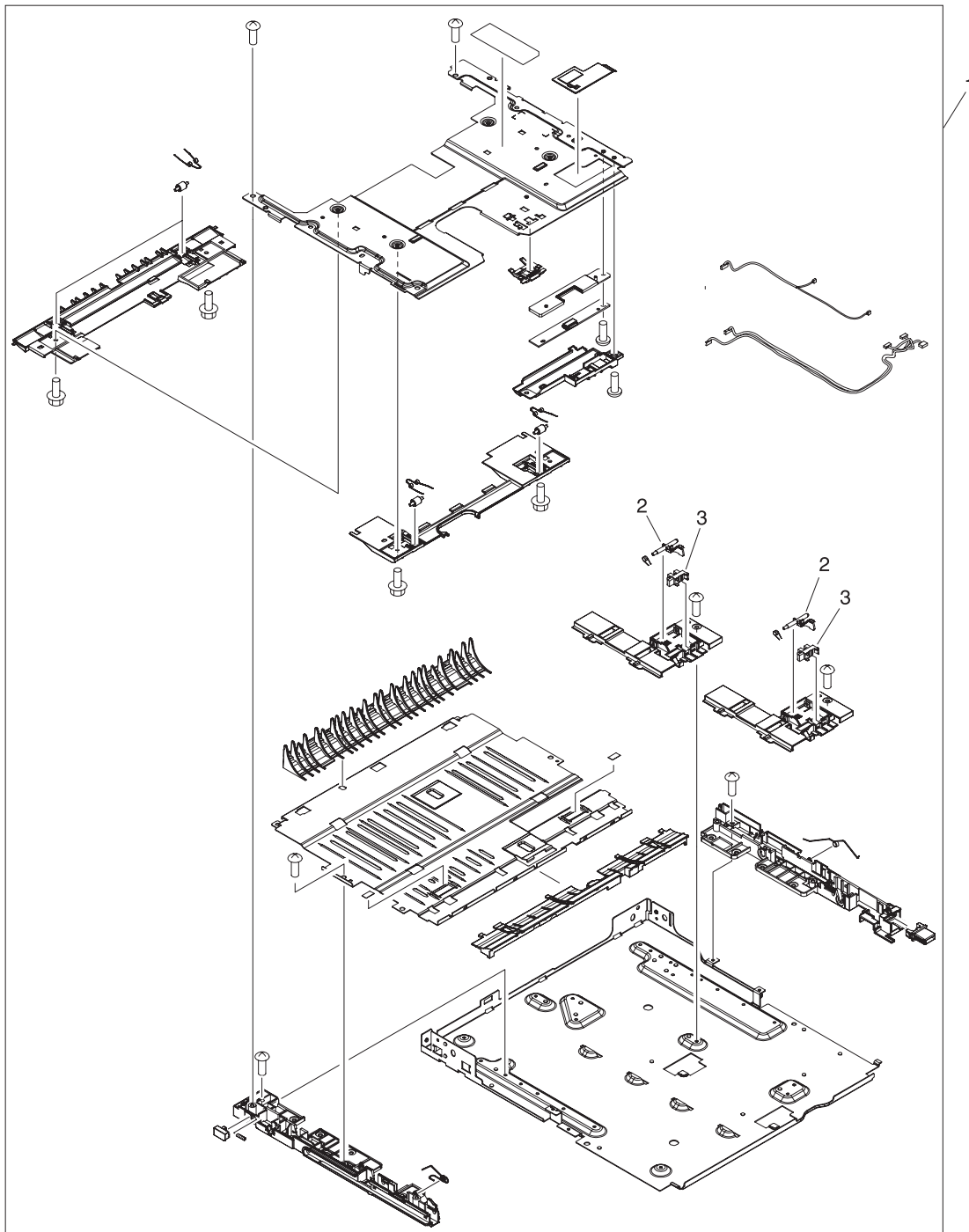


Figure 7-20 Duplexer (1 of 2)

**Table 7-22** Duplexer

<b>Ref</b>	<b>Description</b>	<b>Part number</b>	<b>Qty</b>
1	Duplexer	Q7549-67901	1
2	Flag, duplexing jam detect	RC1-7770-000CN	2
3	IC, photo interrupter	WG8-5624-000CN	2

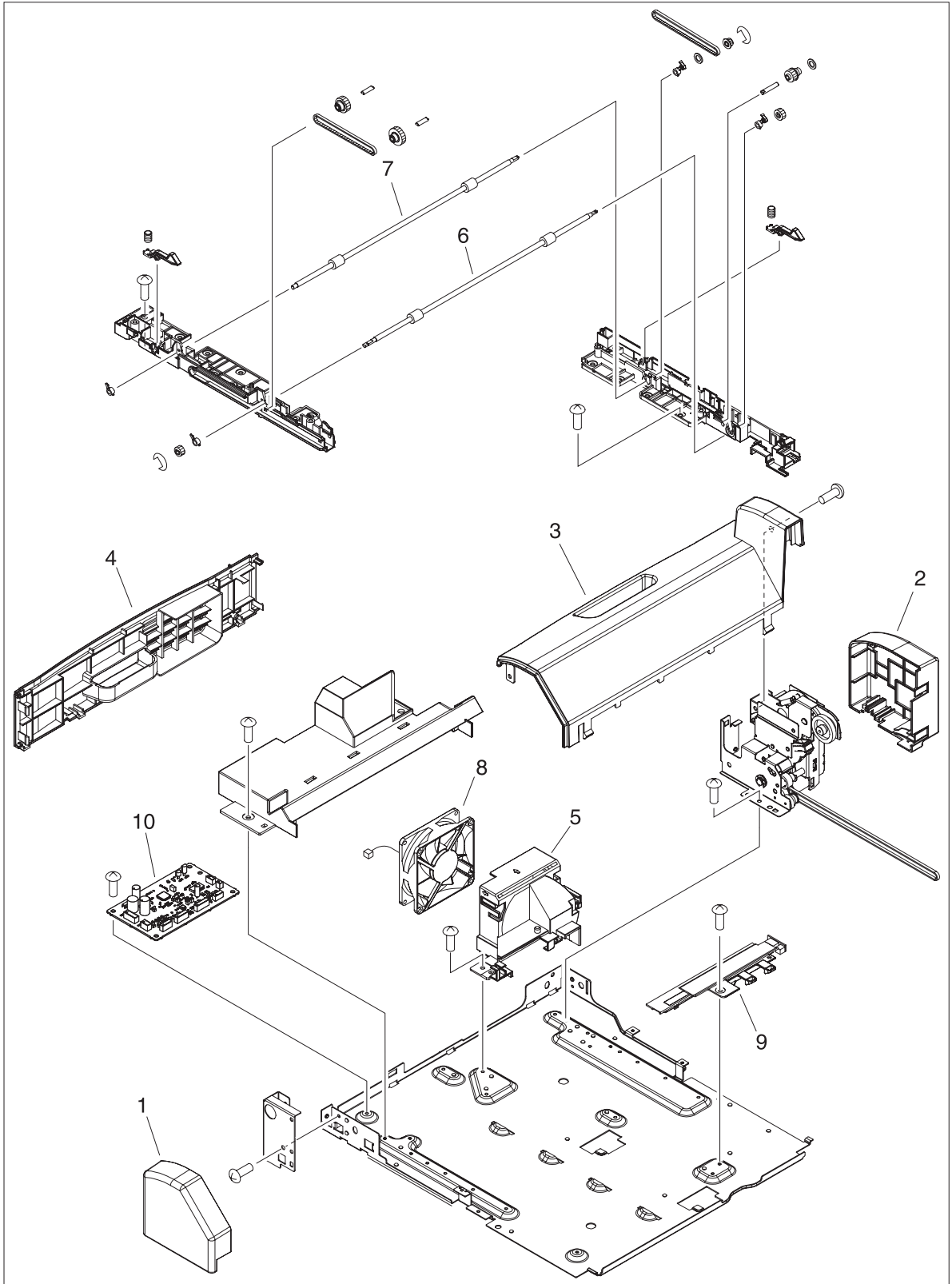


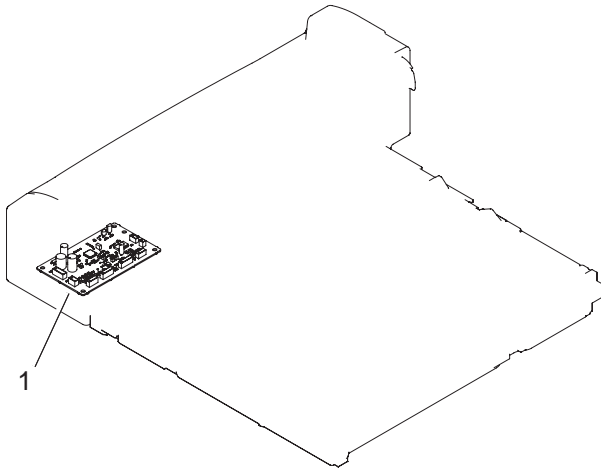
Figure 7-21 Duplexer (2 of 2)



**Table 7-23 Duplexer**

<b>Ref</b>	<b>Description</b>	<b>Part number</b>	<b>Qty</b>
1	Cover, left	RC1-7754-000CN	1
2	Cover, right	RC1-7755-000CN	1
3	Cover, top	RC1-7756-000CN	1
4	Cover, rear	RC1-7757-000CN	1
5	Holder, fan	RC1-7760-000CN	1
6	Roller, paper feed	RC1-7783-000CN	1
7	Roller, paper feed, rear	RC1-7790-000CN	1
8	Fan	RK2-1067-000CN	1
9	Module, light guide	RK2-1069-000CN	1
10	Duplexing controller PCB assembly	RM1-4291-000CN	1

## Duplexing PCA assembly

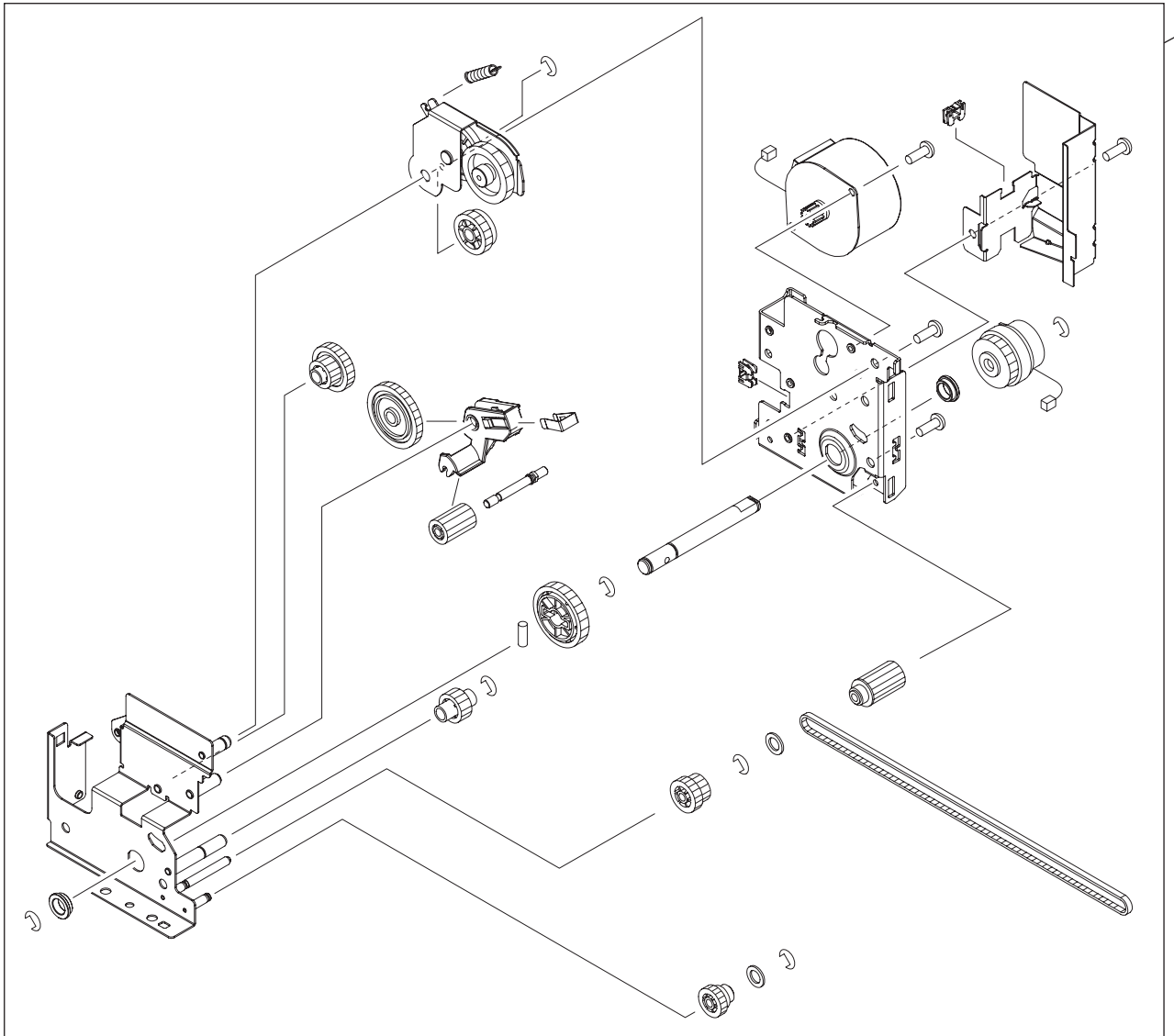


**Figure 7-22** Duplexing PCA assembly

**Table 7-24** Duplexing PCA assembly

<b>Ref</b>	<b>Description</b>	<b>Part number</b>	<b>Qty</b>
1	Duplexing PCA assembly	RM1-4291-000CN	1

# Duplexing-feed drive assembly



**Figure 7-23** Duplexing-feed drive assembly

**Table 7-25** Duplexing-feed drive assembly

Ref	Description	Part number	Qty
1	Duplexing-feed drive assembly	RM1-2891-000CN	1