



### 250 Sheet Tray

#### Cover

1 RB2-2037-000CN Tray cover - 250 sheet paper tray cover

#### Extension

2 RB2-2020-000CN Tray extension - Paper length adjustment extension

#### Lock

3 RB2-2042-000CN Extension lock - Paper length extension lock

#### Pad

4 RG9-1485-000CN Tray 2 separation pad with spring

#### Stop

5 RB2-2023-000CN Paper stop (Blue plastic) - Paper length adjustment stop plate

#### Tray

6 C4116-69001 250 sheet universal paper tray

*RG5-7188-020CN New Part for C4116-69001*

7 C4116A HP LaserJet 5000/N/GN 250 Sheet Universal paper input tray - Holds 250 sheets of letter, legal, Executive, ledger/tabloid, A3, A4, A5, B, B4, or B5 size paper

*RG5-7188-020CN New Part for C4116A*

### 500 Sheet Feeder

#### Arm

8 RF5-2635-000CN Paper arm - Supports paper pickup roller assembly

#### Cable

9 RG5-4213-000CN Cable assembly with ferrite - A large 14 pin (F) connector to a small 11 pin (F) connector - 10.0cm (3.9 inches) long

#### Coupler

10 RB2-3314-000CN Pickup roller coupler

#### Cover

11 RB2-3213-000CN Inner cover - Tray size sensor cover

12 RB2-3235-000CN Front cover

13 RB2-3236-000CN Right auxiliary cover

14 RB2-3237-000CN Left auxiliary cover

15 RB2-3238-000CN Right cover

16 RB2-3239-000CN Left cover

RB2-3247-000CN Paper tray top cover

*RB3-0441-000CN New Part for RB2-3247-000CN*

RB2-3262-000CN Return cover - Access to paper pickup roller

#### Drive Assembly

RG5-4183-050CN Paper pickup gear drive assembly

#### Frame

20 RG5-4180-000CN Left frame assembly

#### Mount

21 RB2-3211-000CN Right mount

#### PC Board

22 RG5-4211-000CN Feeder controller PCA assembly

23 RG5-4212-000CN Sensor PCA - Tray size sensor PCA - Has four micro switches actuated by the tray size sensor leaf spring

*RG5-4212-020CN New Part for RG5-4212-000CN*



### 500 Sheet Feeder

#### Roller

- 24 RB1-8865-000CN Paper pick-up roller - 'D' roller (Sold individually)
- 25 RB2-3232-000CN Feed roller - Shaft with round rollers that moves paper after pickup roller on 500 sheet feeder assembly
- 26 RF5-2634-000CN Feed roller - Moves paper after pickup roller
- 27 RF5-2636-000CN Pickup roller assembly - Picks paper out of tray

#### Sensor

- 28 RF5-2633-000CN Tray sensor assembly

#### Spring

- 29 RB2-3284-000CN Leaf spring - Provides tension on tray for proper alignment
- 30 RB2-3286-000CN Leaf spring - Tray size sensor spring
- 31 RS5-2632-000CN Tension spring - Provides tension for pickup roller

### Controller Assembly

#### Cable

- 32 RH2-5337-000CN Ribbon cable - Has two 40 pin (M) edge connectors - 1.4cm (0.6 inches) long

#### Lever

- 33 RB2-1791-000CN Sensor lever - Tray 2 paper out sensor

#### Mount

- 34 RB2-1790-000CN Sensor mount

### Drive Parts

#### Drive

- C2985-61021 20GB hard drive (Laserjet) - LaserJet EIO font/print job storage - Used as replacement for 2.1GB and 3.2GB drives when used in a LaserJet

### Duplex Unit

#### Reversing Unit

- 36 RG5-3624-000CN Reversing assembly for Duplexer assembly

### Electronic Accessories

#### Adapter

- C2809A Serial cable adapter - 9-pin male to 25-pin female

#### Cable (Interface)

- 5063-1256 IEEE-1284 Bi-Tronics parallel cable - DB-25 (M) connector (type A) to 36 pin Centronics (M) connector (type B) - 2.0m (6.6ft) long
- 5063-1257 IEEE-1284 Bi-Tronics parallel cable - DB-25 (M) connector (type A) to 36 pin Centronics (M) connector (type B) - 3.0m (9.8ft) long
- 92215N Interface cable kit - For HP peripherals designed for use in an AppleTalk/Phonenet network - Not for Macintosh models that have recessed I/O connectors
- 92215S RS-422 serial cable - 8 pin (M) to 8 pin (M) - 2.0m (6.6ft) long - For connecting Apple Macintosh with LocalTalk/serial connector
- C2932A RS-232C serial cable - 9 pin (M) to 9 pin (F) - 3.0m (9.8ft) long  
NO LONGER SUPPLIED
- C2933A RS-232C serial cable - 9 pin (M) to 25 pin (F) - 3.0m (9.8ft) long  
NO LONGER SUPPLIED
- C2950A IEEE-1284 Bi-Tronics parallel cable - DB-25 (M) connector (type A) to 36 pin Centronics (M) connector (type B) - 2.0m (6.6ft) long
- 5063-1256 *New Part for C2950A*
- C2951A IEEE-1284 Bi-Tronics parallel cable - DB-25 (M) connector (type A) to 36 pin Centronics (M) connector (type B) - 3.0m (9.8ft) long
- C2990A IEEE-1284 Bi-Tronics parallel cable - DB-25 (M) (type A) to 36 pin (M) Centronics (type B) - 1.8m (6ft) long  
NO LONGER SUPPLIED

**Electronic Accessories****Cable (Interface)**

C2991A IEEE-1284 Bi-Tronics parallel cable - DB-25 (M) (type A) to 36 pin (M) Centronics (type B) - 3.0m (10ft) long  
NO LONGER SUPPLIED

**Duplexer**

48 C4113-69001 Duplexer assembly - (C4113A)  
REQUIRES RETURN OF DEFECTIVE PART

C4113-67901 *New Part for C4113-69001*

49 C4113A Duplexer assembly - For 2 sided printing

**Interface (Product)**

J6057A JetDirect 615N internal print server (10Base-T and 100Base-TX) LAN interface board - Plugs into peripheral EIO slot - Has a RJ-45 connector - Comes with software on CD-ROM and manual

J6057AR JetDirect 615N internal print server (10Base-T and 100Base-TX) LAN interface board - Plugs into peripheral EIO slot - Has a RJ-45 connector - Comes with software on CD-ROM and manual

**Memory (DIMM)**

C4135-67901 4MB, 100-pin, 32-bit, 60nS, EDO DRAM DIMM memory module

C4136-67901 8MB, 100-pin, 32-bit, 60nS, EDO DRAM DIMM memory module

C4137-67901 16MB, 100-pin, 32-bit, 60nS, EDO DRAM DIMM memory module

C7842-67901 8MB, 100-pin SDRAM DIMM memory module

C7843-67901 16MB, 100-pin SDRAM DIMM memory module

C7845-67901 32MB, 100-pin SDRAM DIMM memory module

**Memory (Product)**

C4135A 4MB, 100-pin, 32-bit, 60nS, EDO DRAM DIMM memory module

C4136A 8MB, 100-pin, 32-bit, 60nS, EDO DRAM DIMM memory module

C4137A 16MB, 100-pin, 32-bit, 60nS, EDO DRAM DIMM memory module

C4140A 4MB, 100-pin SDRAM DIMM memory module  
NO LONGER SUPPLIED

C7842A *New Part for C4140A*

C4286A 2MB flash DIMM memory - Font storage device

C4292A 8MB Traditional Chinese MROM DIMM - For LaserJet 4000 and 5100 series printers

C4293A 8MB Simplified Chinese MROM DIMM - For LaserJet 4000 and 5100 series printers

C7842A 8MB, 100-pin SDRAM DIMM memory module

C7843A 16MB, 100-pin SDRAM DIMM memory module

C7845A 32MB, 100-pin SDRAM DIMM memory module

**PC Board (Interface)**

J3111-69001 JetDirect 600N EIO internal print server 10Base-T, 10BASE-2, and LocalTalk LAN interface board - Has one RJ-45, BNC, and 8-pin DIN connector - (J3111A) - NOTE: EIO interface boards are NOT interchangeable with MIO boards  
REQUIRES RETURN OF DEFECTIVE PART

J3111-61001 *New Part for J3111-69001*

**External Case Parts****Arm**

69 RB1-6134-000CN Tray 1 sensor arm

**Block**

70 RB2-1991-000CN Right latch block - Housing for right side tray latch

71 RB2-1992-000CN Left latch block - Housing for left side tray latch



### External Case Parts

#### Cover

	5021-0349	EIO slot cover
73	RB2-1747-000CN	Face down auxiliary cover
74	RB2-1749-000CN	Right side cover assembly
75	RB2-1755-000CN	Right corner cover
76	RB2-1756-000CN	Left corner cover
77	RG5-3547-000CN	Front inner cover assembly - With tray 1 sensor arm, arm spring and tray 1 leaf spring
78	RG5-3549-000CN	Front cover assembly - Drop down paper tray assembly
79	RG5-3550-000CN	Left side cover assembly
	RG5-3551-000CN	Rear cover assembly

#### Deflector

	RB2-1978-000CN	Deflection pawl - Diverts paper output to rear tray or top
--	----------------	--

#### Gear

82	RB1-6130-000CN	Tray 1 pickup roller gear
----	----------------	---------------------------

#### Guide

83	RB2-1970-000CN	Rear paper guide - Deflects paper to output tray
----	----------------	--

#### Latch

	RB2-1975-000CN	Right side rear face up tray latch
85	RB2-1976-000CN	Left side rear face up tray latch

#### Pin

86	RB2-1745-000CN	Front cover pin - Hinge pins for drop down front cover
----	----------------	--

#### Receptacle

	RG5-3545-000CN	Power inlet assembly - A/C input and power switch
--	----------------	---

#### Rod

88	RB2-1731-000CN	Switch rod - Mechanical link between on/off switch lever and electrical on/off switch at power inlet assembly
----	----------------	---

#### Spring

89	RB1-6136-000CN	Tray 1 sensor arm spring - Holds tension on sensor arm
90	RB2-1772-000CN	Leaf spring for Tray 1
91	RS5-2952-000CN	Latch plate spring - Holds tension on rear tray latches

#### Strap

92	RB2-1977-000CN	Tray support strap - Supports rear drop down output tray
----	----------------	--

#### Switch

93	RB2-1744-000CN	On/off switch
----	----------------	---------------

#### Tray

94	RG5-3552-060CN	Face up tray assembly - Drop down output tray with extension
----	----------------	--

### Interface Board Parts

#### PC Board (Interface)

	J3110-69001	JetDirect 600N EIO internal print server 10Base-T LAN interface board - Has one RJ-45 connector - (J3110A) - NOTE: EIO Interface Boards are NOT Interchangeable with MIO Boards
	J6057-69001	<i>New Part for J3110-69001</i>

### Internal Components

#### Arm

96	RB2-1781-000CN	Multi purpose tray paper sensor lever
97	RB2-1782-000CN	Lower tray paper sensor lever

**Internal Components****Bushing**

98	RB1-6177-000CN	Tray 1 and 2 pickup shaft bushing - Right side
99	RB1-6179-000CN	Tray 1 and 2 pickup shaft bushing - Right side
100	RB2-1988-000CN	Right side bushing for lower delivery roller
101	RB2-1989-000CN	Left side bushing for lower delivery roller
102	RS5-1392-000CN	Tray 1 and 2 left side pickup roller shaft bushing

**Cable**

	RG5-3554-000CN	Face down bin full cable
	RG5-3557-000CN	Cable assembly - A 20 pin (F) connector to two 14cm (5.5 inch) cables with 7 pin (F) connectors, a 31.5cm (12.4 inch) cable with a 9 pin (F) connector, and a 39.4cm (15.5 inch) cable with a 3 pin (F) connector
	<i>RG5-7073-000CN</i>	<i>New Part for RG5-3557-000CN</i>
	RG5-3558-000CN	Top of page sensor cable
106	RG5-3561-000CN	Fuser cable
107	RG5-3562-000CN	Cable assembly - A 22 pin (F) connector to many cables: 32.4cm (12.8 inch) with 8 pin (F) connector, 34.9cm (13.8 inch) with 7 pin (F) connector, 40.3cm (15.9 inch) with 4 pin (F) connector, and 66.4cm (26.1 inch) with 3 pin (F) connector
	<i>RG5-7072-000CN</i>	<i>New Part for RG5-3562-000CN</i>
	RH2-5338-000CN	Ribbon cable - From paper PCA to controller PCA

**Cam**

109	RB2-1796-000CN	Left side tray 1 pickup roller shaft cam
110	RB2-1797-000CN	Right side tray 1 pickup roller shaft cam

**Clutch**

111	RH7-5191-000CN	Paper feed clutch
112	RH7-5192-000CN	Registration clutch - Engages registration roller

**Connector**

113	WS6-5092-000CN	Power connector - Supplies power to optional paper trays
-----	----------------	--

**Fan**

114	RH7-1430-000CN	Cooling fan
-----	----------------	-------------

**Formatter Kit**

	C4110-69022	Formatter kit - Formatter PCA with tools and instructions
--	-------------	---

**Fusing Assembly**

116	C4110-69018	Fusing assembly - 110 volts REQUIRES RETURN OF DEFECTIVE PART
	<i>RG5-5455-100CN</i>	<i>New Part for C4110-69018</i>
117	C4110-69019	Fusing assembly - 220 volts REQUIRES RETURN OF DEFECTIVE PART
	<i>RG5-5456-100CN</i>	<i>New Part for C4110-69019</i>

**Gear**

119	RS5-0695-000CN	Tray 2 pickup roller shaft drive gear
120	RS6-0357-000CN	Delivery roller shaft gear



### Internal Components

#### Gearbox

121 RG5-3543-000CN Main gear assembly

#### Guide

122 RB2-1774-000CN Toner cartridge guide - Left side  
123 RB2-1775-000CN Toner cartridge guide - Right side  
124 RB2-1780-000CN Paper guide - Guides paper from pickup roller to feed roller  
125 RG5-3520-000CN Paper guide - Tray 1 paper guide plate assembly  
*RG5-3520-060CN New Part for RG5-3520-000CN*  
126 RG5-3525-000CN Transfer guide assembly - Guides paper into transfer roller  
127 RG5-3548-000CN Transfer guide assembly - Guides paper into transfer roller  
*RG5-3548-060CN New Part for RG5-3548-000CN*

#### Holder

128 RB2-1997-000CN Roller holder - Face down guide roller holder

#### Hook

129 RB1-2190-000CN Pick-up roller spring hook

#### Laser/Scanner

130 C4110-69016 Laser/scanner assembly  
REQUIRES RETURN OF DEFECTIVE PART  
*RG5-4811-000CN New Part for C4110-69016*

#### Lever

131 RB2-1738-000CN Shutter lever - Connects to laser shutter  
*RF5-2421-000CN New Part for RB2-1738-000CN*

#### PC Board

C3974-69001 Formatter board assembly  
REQUIRES RETURN OF DEFECTIVE PART  
*C3974-67901 New Part for C3974-69001*

#### Pad

132 RF5-2399-000CN Paper separation pad and arm  
133 RF5-3439-000CN Tray 1 separation pad without pressure spring

#### Plate

135 RB1-6141-000CN Grounding plate  
136 RB2-1734-000CN Grounding plate  
137 RB2-1735-000CN Grounding plate  
138 RB2-1736-000CN Grounding plate  
139 RB2-1737-000CN Grounding plate  
*RG5-7074-000CN New Part for RB2-1737-000CN*  
140 RB2-1740-000CN Fan grounding plate and fan housing  
141 RB2-1990-000CN Grounding plate

#### Rail

142 RF5-2397-000CN Tray 2 left rail - Left side tray support  
143 RF5-2398-030CN Tray 2 right rail - Right side tray support

#### Sensor

144 RG5-3553-000CN Rear door sensor assembly - Arm and mount assembly



### Internal Components

#### Solenoid

145 RH7-5195-000CN Cassete paper pickup solenoid

#### Spring

146 RB2-1739-000CN Door switch spring - Provides tension for toner door switch

147 RB2-1783-000CN Paper sensor lever spring

148 RB2-1784-000CN Paper sensor lever spring - Holds tension on sensor arm

149 RB2-1825-000CN Leaf spring - Tray size sensor fingers

150 RS5-2225-020CN Face down guide roller torsion spring

151 RS5-2434-000CN Tray 2 shaft gear spring - Holds tension on shaft hook

#### Switch

152 RB2-1732-000CN Door switch - Indicates when toner door is ajar

### LaserJet Electronics

#### Power Cord

8120-6802 Power cord (Flint Gray) - 2.3m (7.5ft) long - Has 90 degree (F) receptacle (For 220V in Europe, Saudi Arabia, South Africa, and India)

8120-6805 Power cord (Flint Gray) - 18 AWG, 2.3m (7.5ft) long - Has 90 degree receptacle (For 120V in the USA, Canada, Mexico, Philippines, and Taiwan)

### Main Drive Assembly

#### Gearbox

155 RG5-3543-000CN Main gear assembly

### Main Gear Assembly

#### Arm

156 RB2-1856-000CN Toner cartridge engagemnet arm

#### Motor

157 RH7-1357-000CN Main motor

### Optional Interfaces

#### Interface (Product)

J3110A Ethernet 10Base-T (RJ-45) EIO network internal print server PC board

J3111A Ethernet 10Base-T/10Base2 and LocalTalk (RJ-45, BNC, LocalTalk) EIO network PCA

J3112A JetDirect 600N token ring LAN interface board - DB-9 and RJ-45 connectors  
NO LONGER SUPPLIED

J3113A JetDirect 600N internal print server (10Base-T and 100Base-TX) LAN interface board - Plugs into peripheral EIO slot

J4135A JetDirect connectivity card - Has one USB port, one serial (DB9) port and one LocalTalk port - Plugs in the EIO slot on selected DesignJet and LaserJet printers

J4167A JetDirect 610N token ring LAN interface board - DB-9 and RJ-45 connectors

J4169A JetDirect 610N internal print server (10Base-T and 100Base-TX) LAN interface board - Plugs into peripheral EIO slot - Has a RJ-45 connector - Comes with software on CD-ROM and manual

#### PC Board (Interface)

J3112-69001 JetDirect 600N EIO internal print server token ring LAN interface board - Has one RJ-45 and DB-9 connector

*J4167-69001 New Part for J3112-69001*

J3113-69001 JetDirect 600N EIO internal print server 10Base-T and 100Base-T LAN interface board - Has one RJ-45 connector

J4135-61001 JetDirect connectivity card - Has one USB port, one serial (DB9) port and one LocalTalk port

J4169-69001 JetDirect 610N internal print server 10Base-T and 100Base-T LAN interface board - Has one RJ-45 connector

*J6057-69001 New Part for J4169-69001*



### Optional Paper Trays

#### Feed Assembly

- C4114A 250 sheet feeder and paper tray - Printer sits on top of this unit - Includes 250 sheet paper cassette
- C4115A 500 sheet feeder and paper tray - Printer sits on top of this unit - Includes 500 sheet paper cassette

#### Tray

- C4117-69001 500 sheet universal paper tray
- C4117A HP LaserJet 5000 500 Sheet Universal paper input tray - Holds 250 sheets of letter, legal, Executive, ledger/tabloid, A3, A4, A5, B, B4, or B5 size paper
- RG5-7164-050CN *New Part for C4117A*

### Other Accessories

#### CD-ROM (Support)

- C4110-60117 Worldwide multi-lingual user manual - On CD-ROM

#### Cartridge

- 5184-5224 Black toner cartridge - With 'Ultra-Precise' toner - Has maximum capacity toner (Prints approximately 10,000 pages)
- 174 C4129X Black toner cartridge - With 'Ultra-Precise' toner - Has maximum capacity toner (Prints approximately 10, 000 pages)

#### Cleaning Supplies

- 5090-3379 Toner cleaning cloth - Specially treated cloth for absorbing toner (1 per package) - Ideal for clening up toner spills

#### Manual

- C4110-90035 Installation guide - Instruction sheet for installing the user guide CD-ROM on a computer
- C4110-91041 LaserJet 5000 series service manual

#### Manual Kit

- C4110-60113 User manual bundle - Includes user manual, 'Getting Started' guide, and pocket quick reference guide (French)
- C4110-60117 *New Part for C4110-60113*
- C4110-99003 User manual bundle - Includes user manual, 'Getting Started' guide, and pocket quick reference guide (Italian)
- NO LONGER SUPPLIED
- C4110-60117 *New Part for C4110-99003*
- C4110-99004 User manual bundle - Includes user manual, 'Getting Started' guide, and pocket quick reference guide (German)
- NO LONGER SUPPLIED
- C4110-60117 *New Part for C4110-99004*
- C4110-99005 User manual bundle - Includes user manual, 'Getting Started' guide, and pocket quick reference guide (Spanish)
- NO LONGER SUPPLIED
- C4110-60117 *New Part for C4110-99005*
- C4110-99006 User manual bundle - Includes user manual, 'Getting Started' guide, and pocket quick reference guide (Dutch)
- NO LONGER SUPPLIED
- C4110-60117 *New Part for C4110-99006*
- C4110-99007 User manual bundle - Includes user manual, 'Getting Started' guide, and pocket quick reference guide (Denmark)
- NO LONGER SUPPLIED
- C4110-60117 *New Part for C4110-99007*
- C4110-99008 User manual bundle - Includes user manual, 'Getting Started' guide, and pocket quick reference guide (Finland)
- NO LONGER SUPPLIED
- C4110-60117 *New Part for C4110-99008*
- C4110-99009 User manual bundle - Includes user manual, 'Getting Started' guide, and pocket quick reference guide (Norway)
- NO LONGER SUPPLIED
- C4110-60117 *New Part for C4110-99009*
- C4110-99010 User manual bundle - Includes user manual, 'Getting Started' guide, and pocket quick reference guide (Swedish)
- NO LONGER SUPPLIED
- C4110-60117 *New Part for C4110-99010*
- C4110-99011 User manual bundle - Includes user manual, 'Getting Started' guide, and pocket quick reference guide (Portuguese)
- NO LONGER SUPPLIED





### Other Accessories

#### Manual Kit

C4110-99012	User manual bundle - Includes user manual, 'Getting Started' guide, and pocket quick reference guide (Polish) NO LONGER SUPPLIED
C4110-60117	<i>New Part for C4110-99012</i>
C4110-99014	User manual bundle - Includes user manual, 'Getting Started' guide, and pocket quick reference guide (Turkish) NO LONGER SUPPLIED
C4110-60117	<i>New Part for C4110-99014</i>
C4110-99015	User manual bundle - Includes user manual, 'Getting Started' guide, and pocket quick reference guide (Traditional Chinese) NO LONGER SUPPLIED
C4110-60117	<i>New Part for C4110-99015</i>
C4110-99016	User manual bundle - Includes user manual, 'Getting Started' guide, and pocket quick reference guide (Korean) NO LONGER SUPPLIED
C4110-60117	<i>New Part for C4110-99016</i>
C4110-99017	User manual bundle - Includes user manual, 'Getting Started' guide, and pocket quick reference guide (Japanese) NO LONGER SUPPLIED
C4110-60117	<i>New Part for C4110-99017</i>
C4110-99018	User manual bundle - Includes user manual, 'Getting Started' guide, and pocket quick reference guide (Russia) NO LONGER SUPPLIED
C4110-60117	<i>New Part for C4110-99018</i>
C4110-99019	User manual bundle - Includes user manual, 'Getting Started' guide, and pocket quick reference guide (Hungarian) NO LONGER SUPPLIED
C4110-60117	<i>New Part for C4110-99019</i>
C4110-99020	User manual bundle - Includes user manual, 'Getting Started' guide, and pocket quick reference guide (Czechoslovakian) NO LONGER SUPPLIED
C4110-60117	<i>New Part for C4110-99020</i>
C4110-99021	User manual bundle - Includes user manual, 'Getting Started' guide, and pocket quick reference guide (Simplified Chinese) NO LONGER SUPPLIED
C4110-60117	<i>New Part for C4110-99021</i>
C4110-99022	User manual bundle - Includes user manual, 'Getting Started' guide, and pocket quick reference guide (Taiwan) NO LONGER SUPPLIED
C4110-60117	<i>New Part for C4110-99022</i>
C4110-99023	User manual bundle - Includes user manual, 'Getting Started' guide, and pocket quick reference guide (Arabic) NO LONGER SUPPLIED
C4110-60117	<i>New Part for C4110-99023</i>
C4110-99024	User manual bundle - Includes user manual, 'Getting Started' guide, and pocket quick reference guide (Greek) NO LONGER SUPPLIED
C4110-99025	User manual bundle - Includes user manual, 'Getting Started' guide, and pocket quick reference guide (Hebrew) NO LONGER SUPPLIED
C4110-60117	<i>New Part for C4110-99025</i>
C4110-99028	Manual bundle - Includes 'Getting Started' guide and pocket quick reference guide (English)

#### Software

C6072-60301	HP-GL/2 driver software for AutoCAD - For DOS and Windows 3.1/95/NT 4.0 - On 3.5-inch 1.44MB floppy disks (English)
C6072-60304	HP-GL/2 driver software for AutoCAD - For DOS and Windows 3.1/95/NT 4.0 - On 3.5-inch 1.44MB floppy disks (German)
C6072-60305	HP-GL/2 driver software for AutoCAD - For DOS and Windows 3.1/95/NT 4.0 - On 3.5-inch 1.44MB floppy disks (French)
C6072-60306	HP-GL/2 driver software for AutoCAD - For DOS and Windows 3.1/95/NT 4.0 - On 3.5-inch 1.44MB floppy disks (Spanish)



### Other Accessories

#### Software

C6072-60307 HP-GL/2 driver software for AutoCAD - For DOS and Windows 3.1/95/NT 4.0 - On 3.5-inch 1.44MB floppy disks (Italian)

### PCA Assembly Locations

#### PC Board

245 C4110-69001 DC controller board with ribbon cable  
REQUIRES RETURN OF DEFECTIVE PART

C4110-67906 *New Part for C4110-69001*

246 RG5-3560-000CN Paper handling PCA

#### Power Supply

247 C4214-69022 Power supply assembly - 100-120VAC

RH3-2224-000CN *New Part for C4214-69022*

248 C4214-69023 Power supply assembly - 220-240VAC

RH3-2225-000CN *New Part for C4214-69023*

### Paper Feed Assembly

#### Cable

208 RG5-3523-000CN Paper feed photo sensor cable

#### Lever

209 RB2-1807-000CN Sensor flag lever - Paper feed sensor arm

#### Sensor

210 WG8-5362-000CN Optical sensor

#### Spring

211 RB2-1808-000CN Lever spring - Provides tension for paper sensor flag

### Paper Feed Belt Assembly

#### Belt

212 RB2-1887-000CN Large feed belt - Wide belt in middle of assembly

213 RB2-1888-000CN Small paper feed belt - One on each side of wide belt

214 RG5-3526-020CN Paper feed belt assembly

#### Bushing

215 RB2-1903-000CN Right side transfer roller bushing

216 RB2-1904-000CN Left side transfer roller bushing

#### Cover

217 RB2-1905-000CN Transfer roller bushing cover - Right side

#### Gear

218 RS6-0351-000CN Paper feed gear

219 RS6-0352-000CN Paper feed gear

#### Pulley

220 RB1-6195-000CN Paper feed pulley - Idler pulley for small belts

#### Shaft

221 RB1-6192-000CN Paper feed shaft (Idler shaft) driven by wide belt

222 RB2-1886-000CN Paper feed shaft - Drives all three belts

#### Spring

223 RS5-2431-000CN Transfer roller spring - Provides tension for roller bushing



### Paper Input Parts

#### Roller

- 224 RB2-1985-000CN Lower output delivery roller - Shaft with four rollers

### Paper Path Parts

#### Belt

- 225 RG5-3526-020CN Paper feed belt assembly

#### Kit

- C4110-67923 Maintenance kit (120V) - Includes fuser assembly, separation rollers, transfer roller, feed rollers, pickup roller, and instruction guide
- C4110-67924 Maintenance kit (240V) - Includes fusing assembly, separation pad, transfer roller and instruction manual
- C4110-69027 Maintenance kit (120V) - Includes fuser assembly, separation rollers, transfer roller, feed rollers, pickup roller, and instruction guide  
REQUIRES RETURN OF DEFECTIVE PART
- C4110-67923 New Part for C4110-69027*
- C4110-69028 Maintenance kit (240V) - Includes fusing assembly, separation pad, transfer roller and instruction manual  
REQUIRES RETURN OF DEFECTIVE PART
- C4110-67924 New Part for C4110-69028*

#### Roller

- 230 RB1-6251-000CN Lower delivery roller - Pushes against the lower delivery roller shaft assembly
- 231 RB2-1820-020CN Pickup roller - Tray 1 pickup roller
- 232 RB2-1998-000CN Roller - Upper roller of face-down roller guide - 4 used
- 233 RG5-3519-000CN Pickup roller assembly - Shaft/roller assembly that feeds paper from paper input assemblies - Also order separation pad kit  
*RG5-3519-020CN New Part for RG5-3519-000CN*
- 234 RG5-3522-030CN Paper feed roller assembly
- 235 RG5-3524-110CN Registration roller assembly
- 236 RG5-3542-070CN Upper delivery roller assembly - Paper output  
*RG5-3542-090CN New Part for RG5-3542-070CN*
- 237 RG5-3579-000CN Transfer roller assembly
- 238 RG9-1337-000CN Face down guide roller

### Roller Assembly

- 239 RG5-5453-090CN Fusing roller assembly - Fusing roller/heating element assembly - 110 volt

#### Roller Kit

- C4110-67910 Transfer roller kit - Transfer roller with tools and repair instruction guide
- C4110-67911 500 sheet tray kit - Pickup roller and feed roller for 500 sheet input tray - Includes tools and instructions
- C4110-67912 Pickup roller kit - Pickup roller with tools and repair instruction guide
- C4110-67913 250 sheet tray kit - Pickup roller and separation pad for 250 sheet input tray - Includes tools and instructions

#### Solenoid

- 244 RH7-5194-000CN Tray 1 paper pickup solenoid

### Pickup Drive Assembly

#### Drive Assembly

- 249 RG5-3544-000CN Paper pickup drive assembly

### Power Supplies and Parts

#### Power Supply

- 250 C4110-67917 Power supply assembly with ribbon cable - 100-120VAC input
- 251 C4110-67918 Power supply assembly with ribbon cable - 220/240VAC input



### Top Cover Assembly

#### Brush

252 RB2-1906-000CN Cleaning brush

#### Control Panel

253 RG5-5438-030CN Control panel - Does not include overlay

#### Cover

254 RB2-1748-000CN Top cover

255 RB2-1758-000CN Display cover - Control panel display cover

#### Door

256 RG5-3556-000CN Toner cartridge access door assembly

#### Overlay

257 C4110-40004 LaserJet 5100 control panel overlay (English)

#### Spring

258 RB2-1759-000CN Control panel leaf spring

### Tray 2 Assembly Parts

#### Bushing

259 RB1-6149-000CN Left pickup roller bushing

260 RB2-1804-000CN Right pickup roller bushing

#### Cam

261 RB2-1802-000CN Roller cam - Left side pickup roller cam

262 RB2-1805-000CN Roller cam - Right side pickup roller cam

#### Collar

263 RB2-1803-000CN Right pickup roller collar - Houses shaft bushing

264 RB2-1815-000CN Left pickup roller collar - Houses shaft bushing

#### Roller

265 RB2-1821-020CN Paper pickup roller assembly (D-shaped) - Rubber roller on a plastic frame - Locks on to the paper pickup shaft in the 250-sheet paper feeder assembly base unit

266 RG5-3521-000CN Tray 2 paper pickup roller assembly

#### Shaft

267 RB2-1800-000CN Pickup roller shaft - Tray 2

### Upper Delivery Assembly

#### Brush

268 RB2-1981-000CN Static brush - Dissipates static charge from paper output  
NO LONGER SUPPLIED

*RG5-3542-090CN New Part for RB2-1981-000CN*

#### Bushing

269 RB2-1986-000CN Right side bushing - Delivery roller shaft support  
NO LONGER SUPPLIED

*RG5-3542-090CN New Part for RB2-1986-000CN*

270 RB2-1987-000CN Left side bushing - Delivery roller shaft support  
NO LONGER SUPPLIED

*RG5-3542-090CN New Part for RB2-1987-000CN*

#### Gear

271 RS6-0357-000CN Delivery roller shaft gear



Upper Delivery Assembly

Guide

- 272 RF5-2415-000CN Delivery guide - Guides paper coming out of delivery roller  
NO LONGER SUPPLIED
- RG5-3542-090CN *New Part for RF5-2415-000CN*

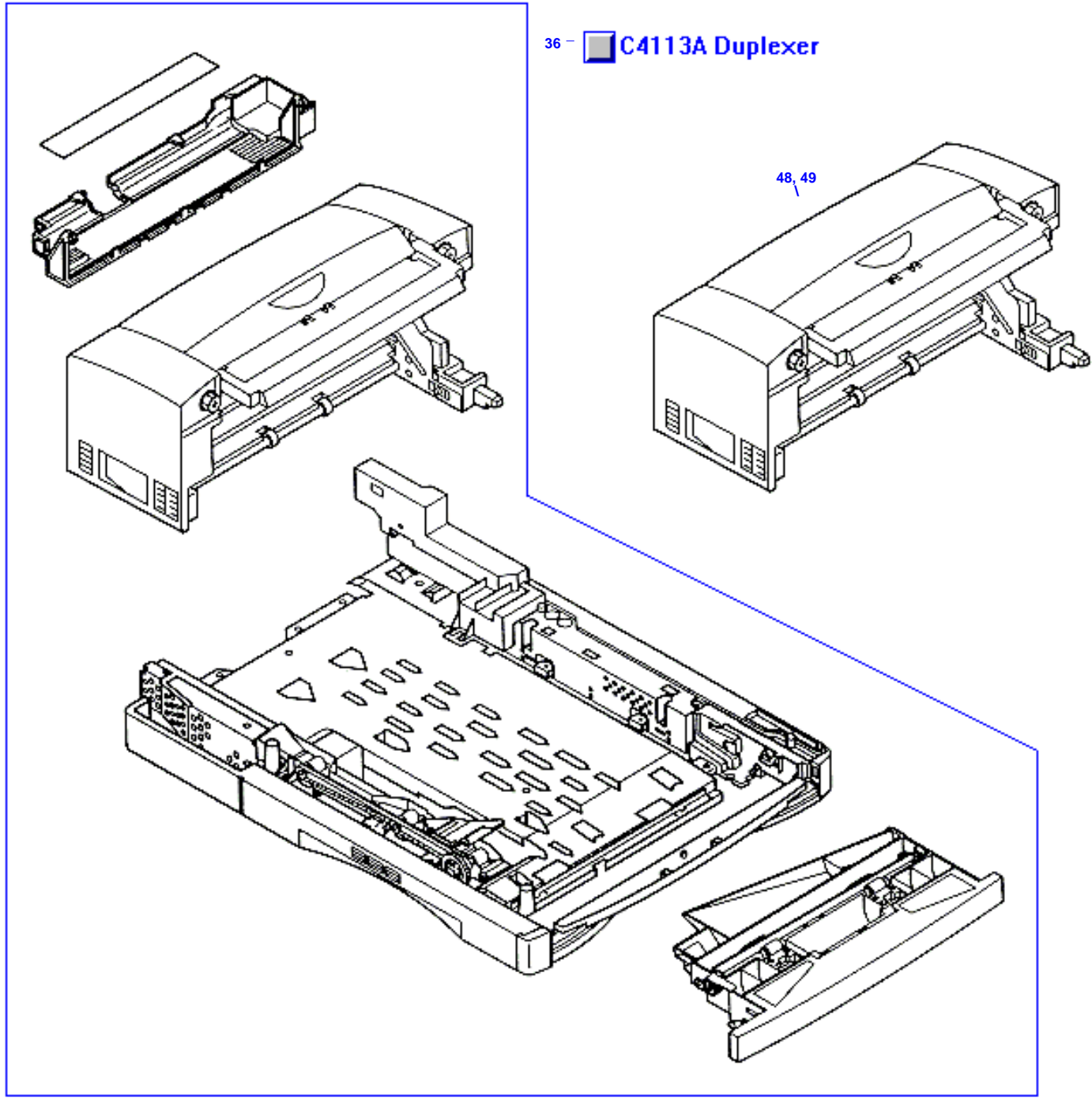
Lever

- 273 RB2-1980-000CN Bin full lever - Face down output tray sensor lever

Roller

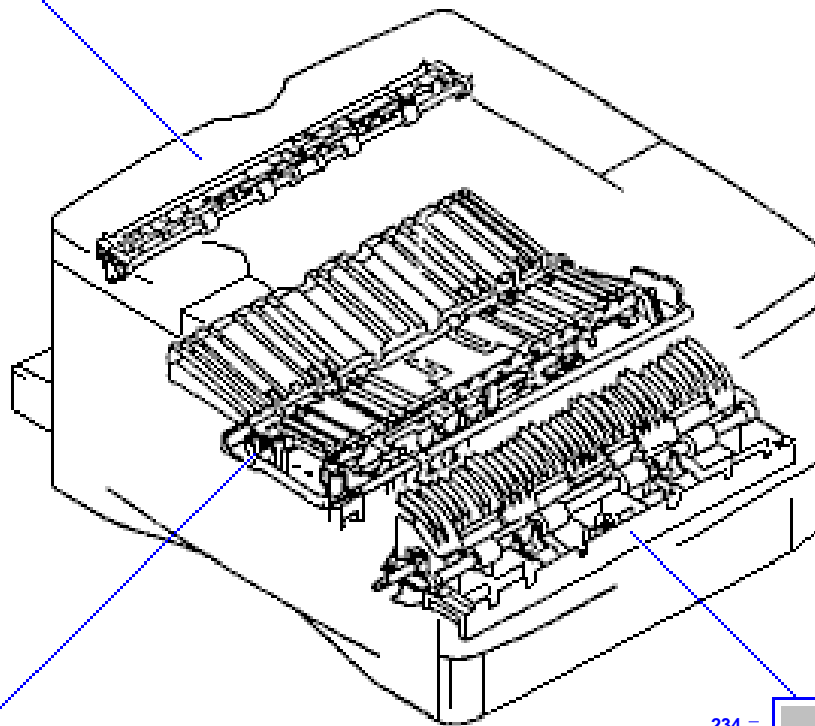
- 274 RB2-1984-000CN Delivery roller - Paper output shaft with four rollers  
NO LONGER SUPPLIED
- RG5-3542-090CN *New Part for RB2-1984-000CN*
- 275 RG5-3542-070CN Upper delivery roller assembly - Paper output
- RG5-3542-090CN *New Part for RG5-3542-070CN*

Duplexer



Main Assembly Locator (1 of 3)

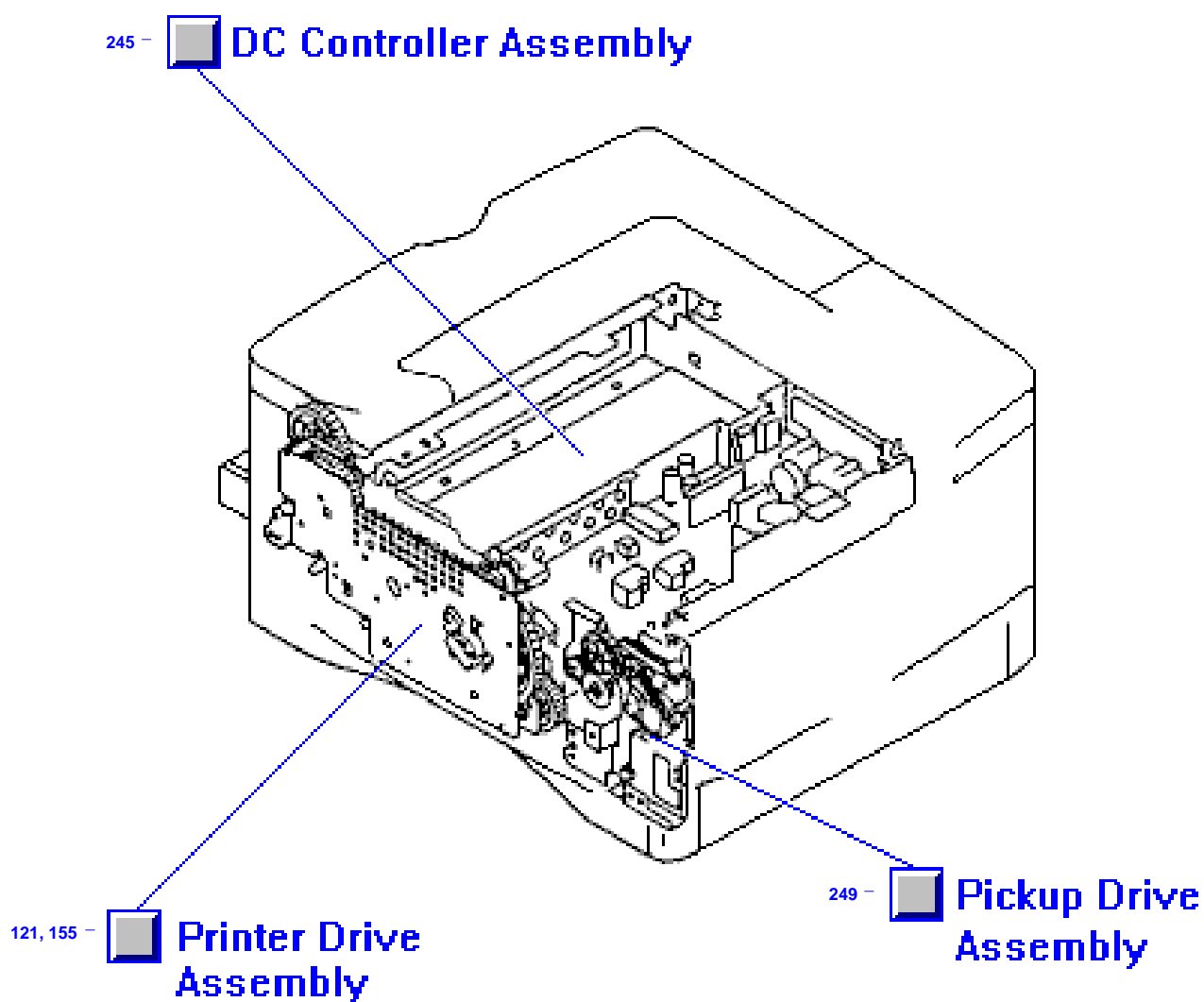
236, 275 -  **Upper Delivery Roller Assembly**



234 -  **Paper Feed Roller Assembly**

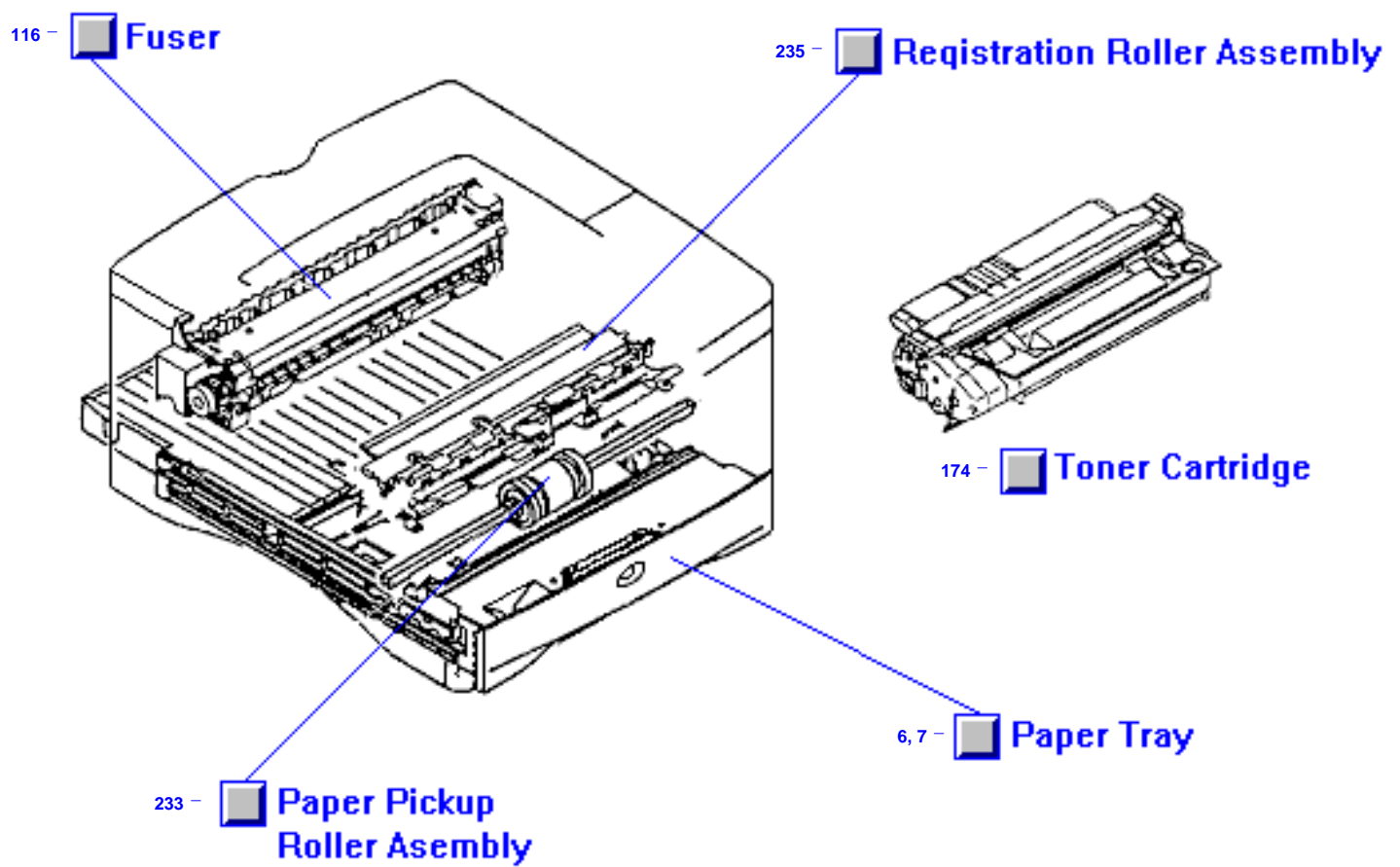
214, 225 -  **Paper Feed Belt Assembly**

Main Assembly Locator (2 of 3)

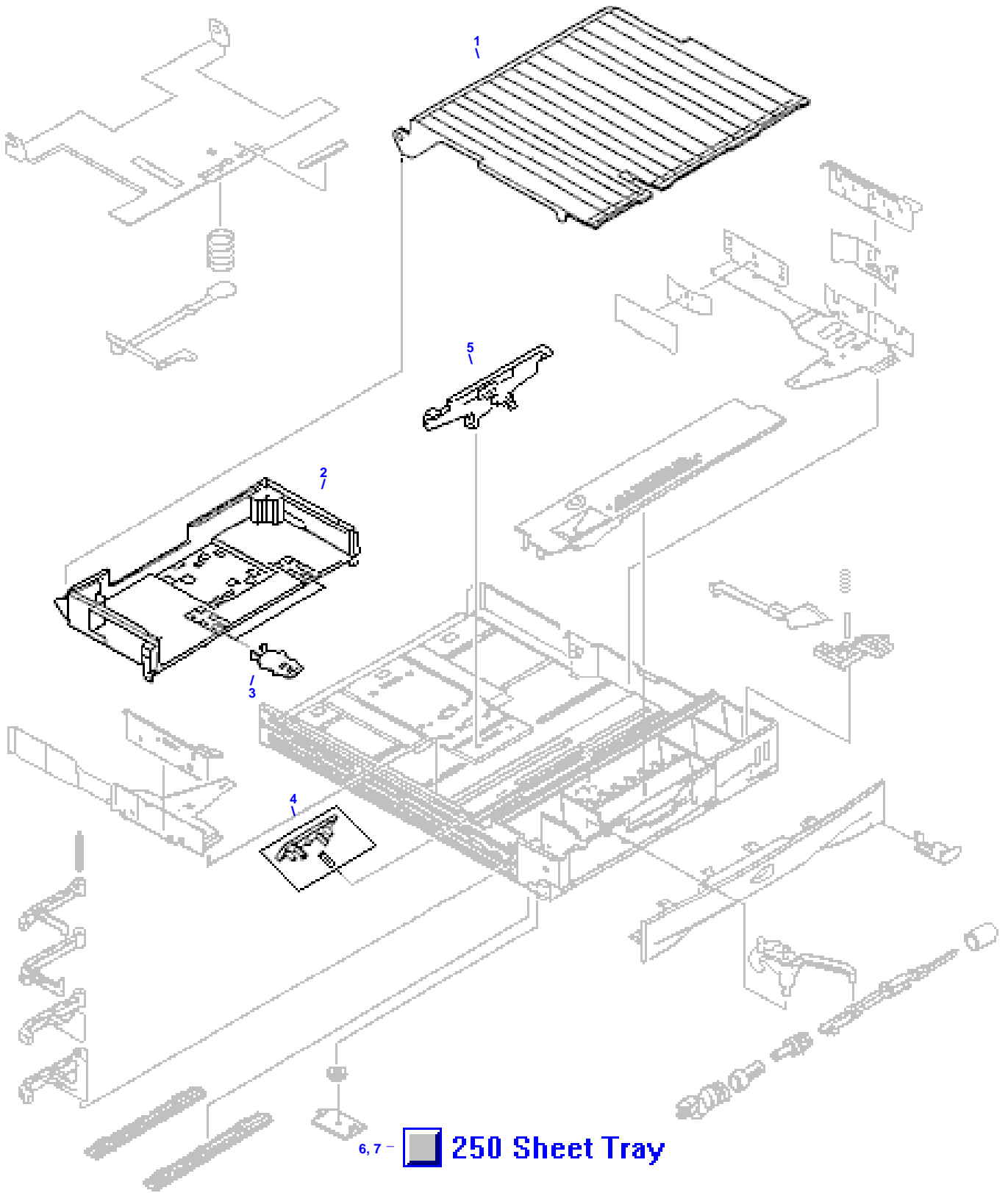




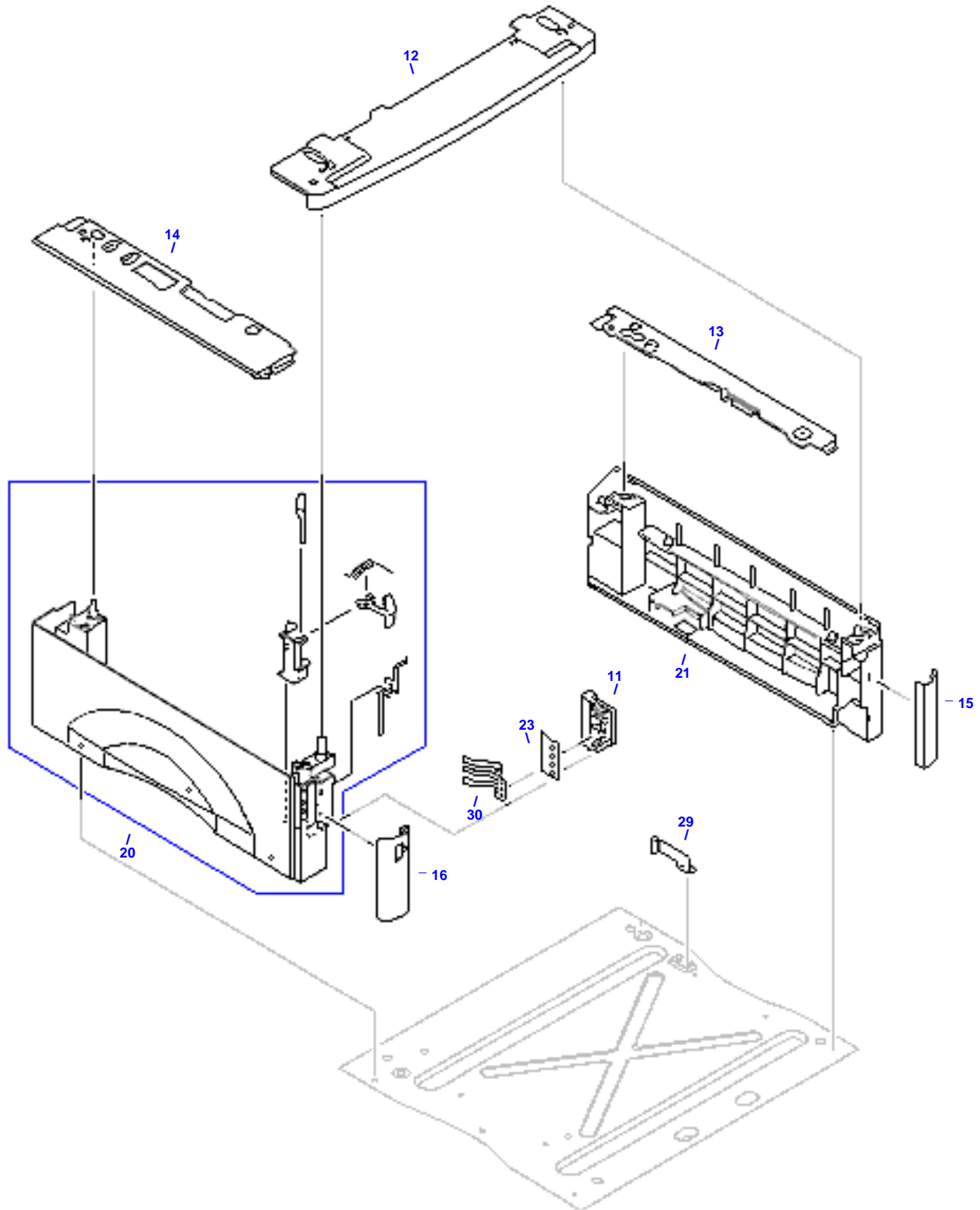
Main Assembly Locator (3 of 3)



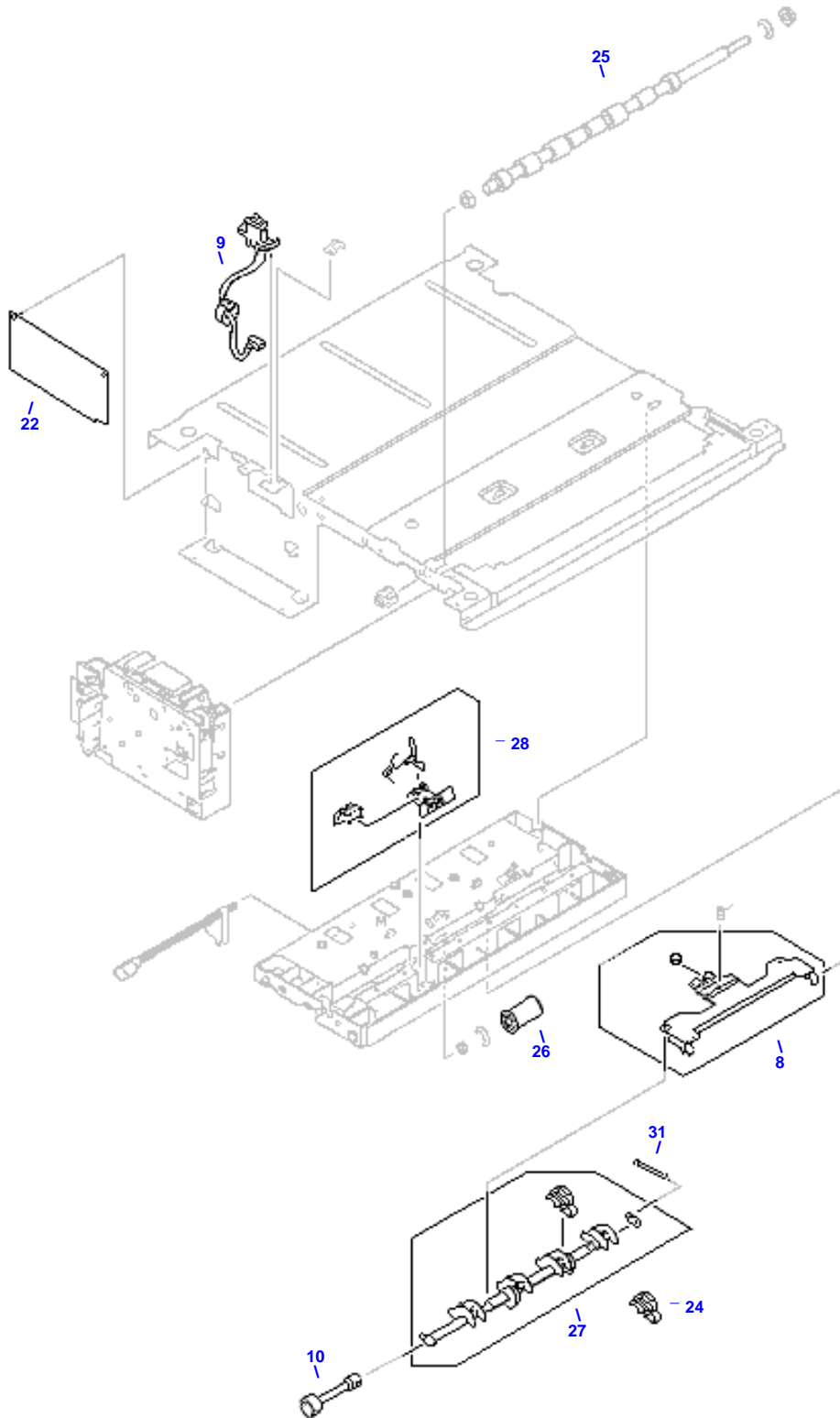
250 Sheet Tray



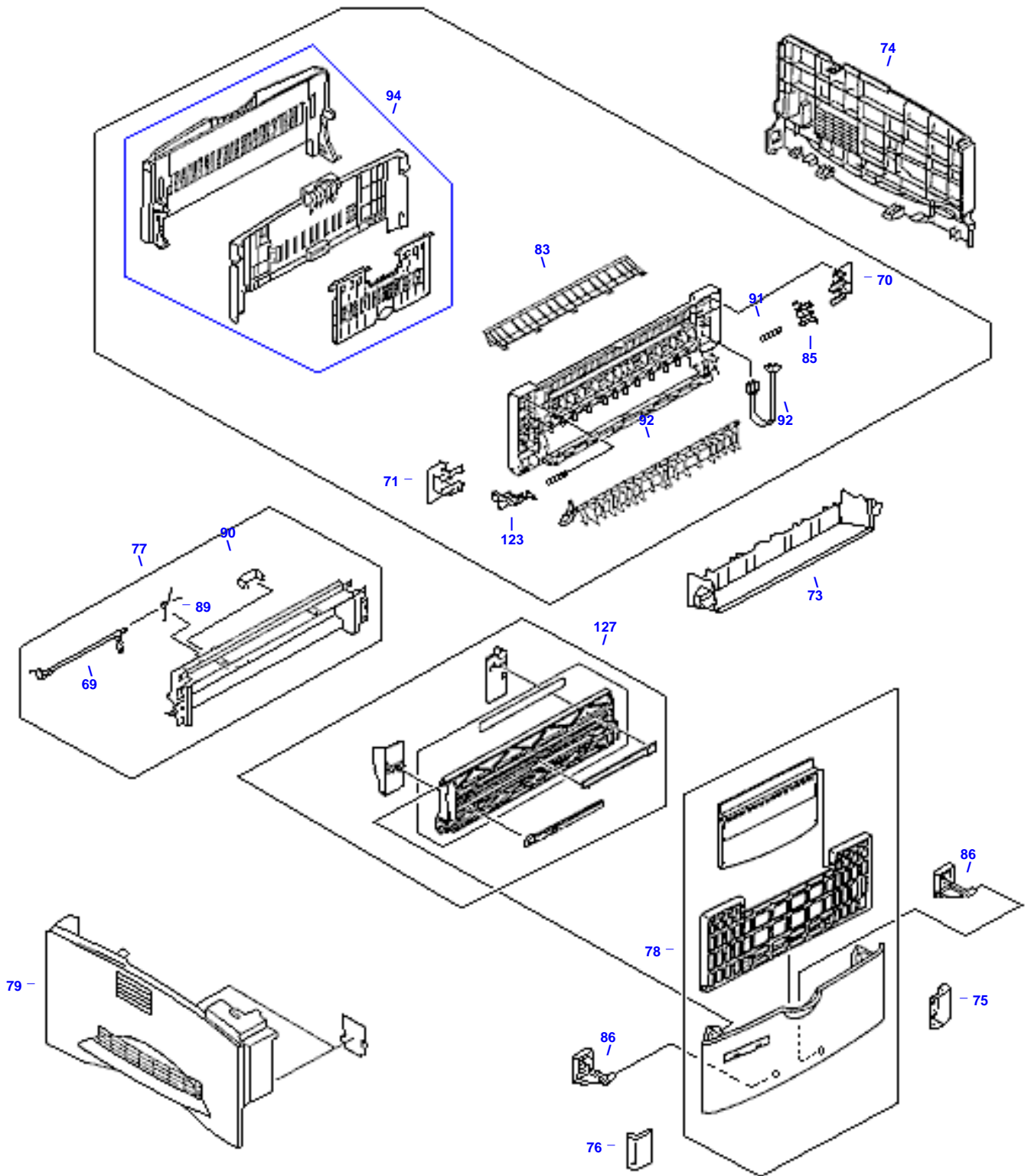
500 Sheet Feeder (1 of 2)



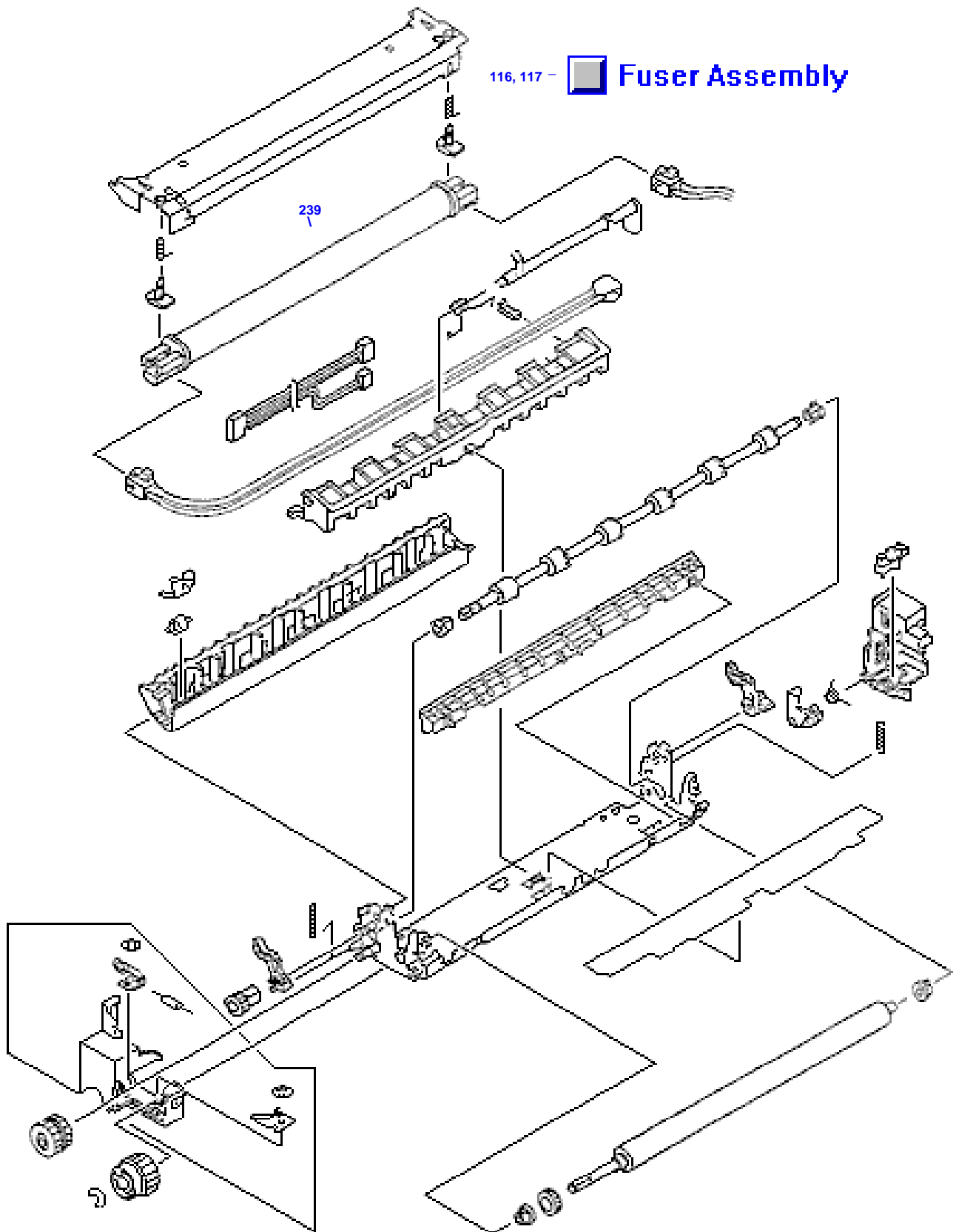
500 Sheet Feeder (2 of 2)



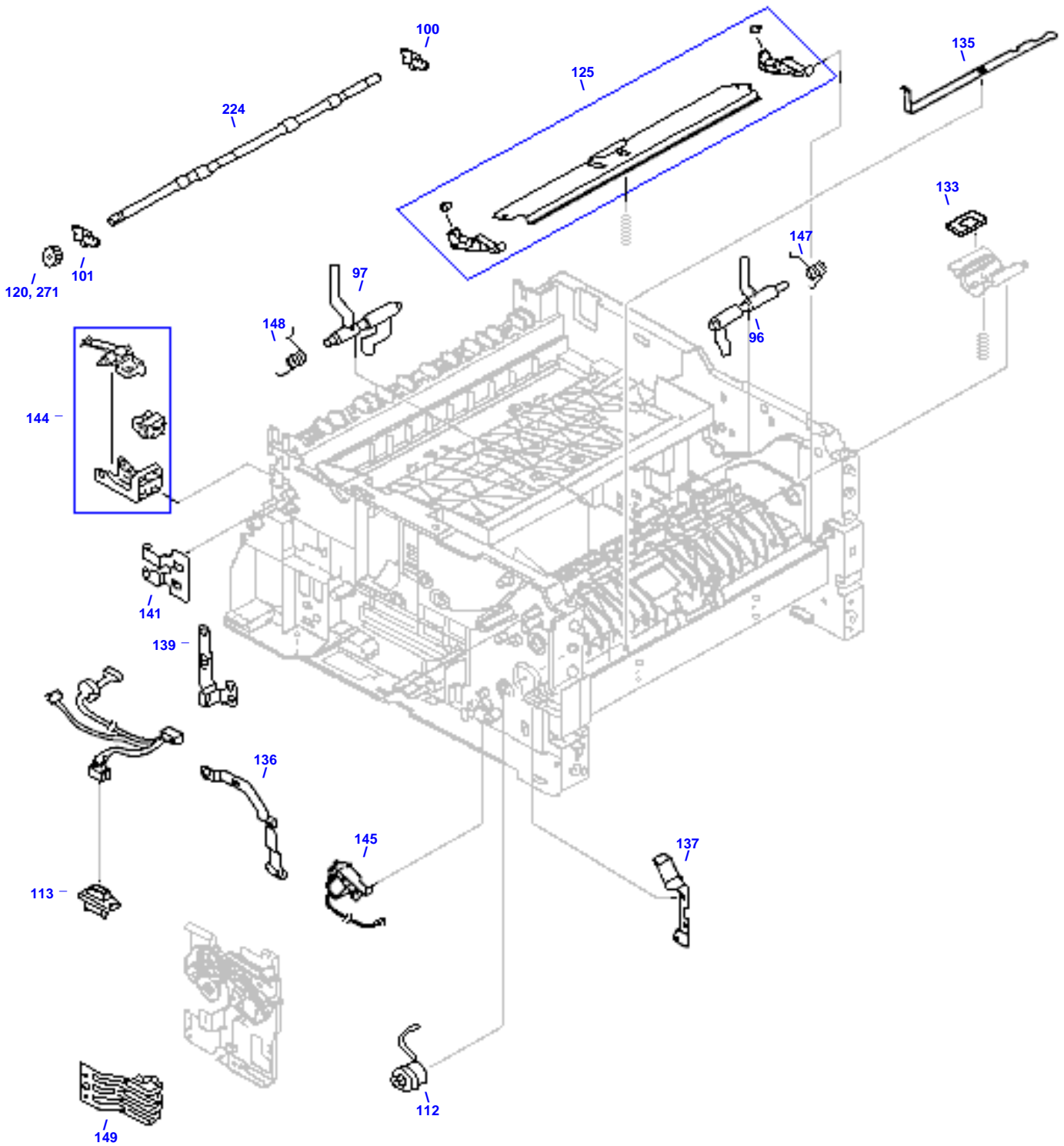
External Covers and Panels



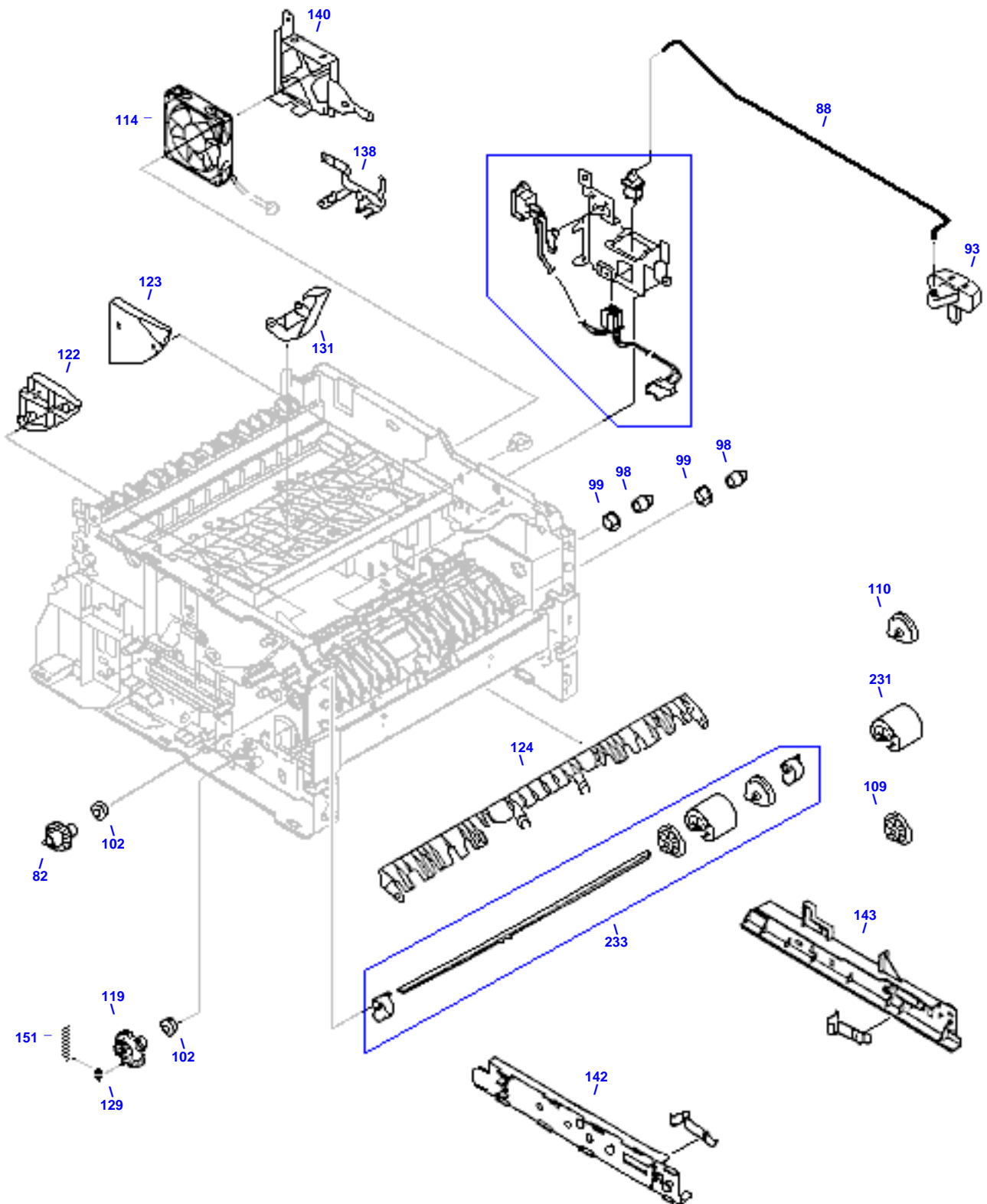
Fuser Assembly



Internal Components (1 of 4)

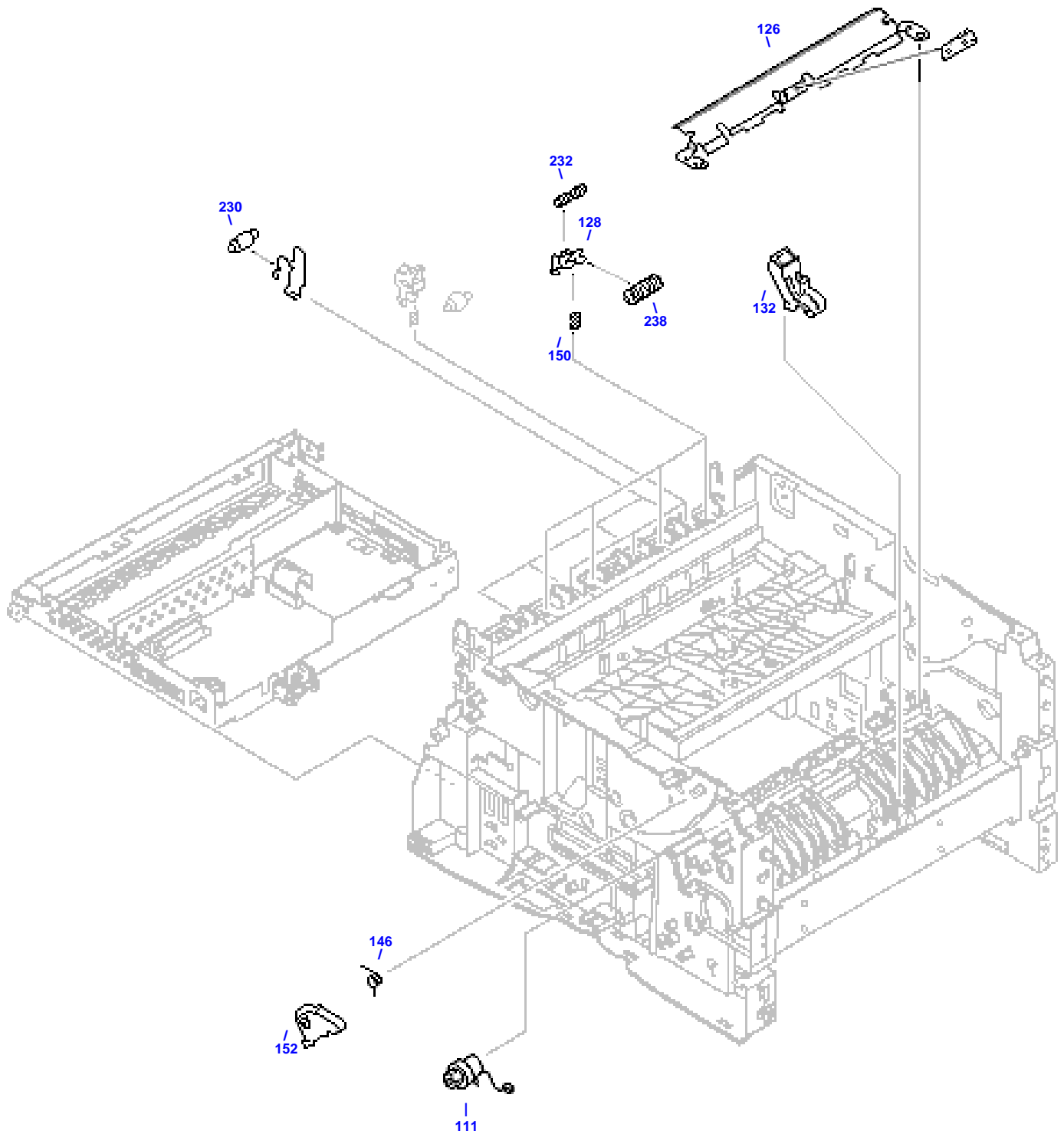


Internal Components (2 of 4)

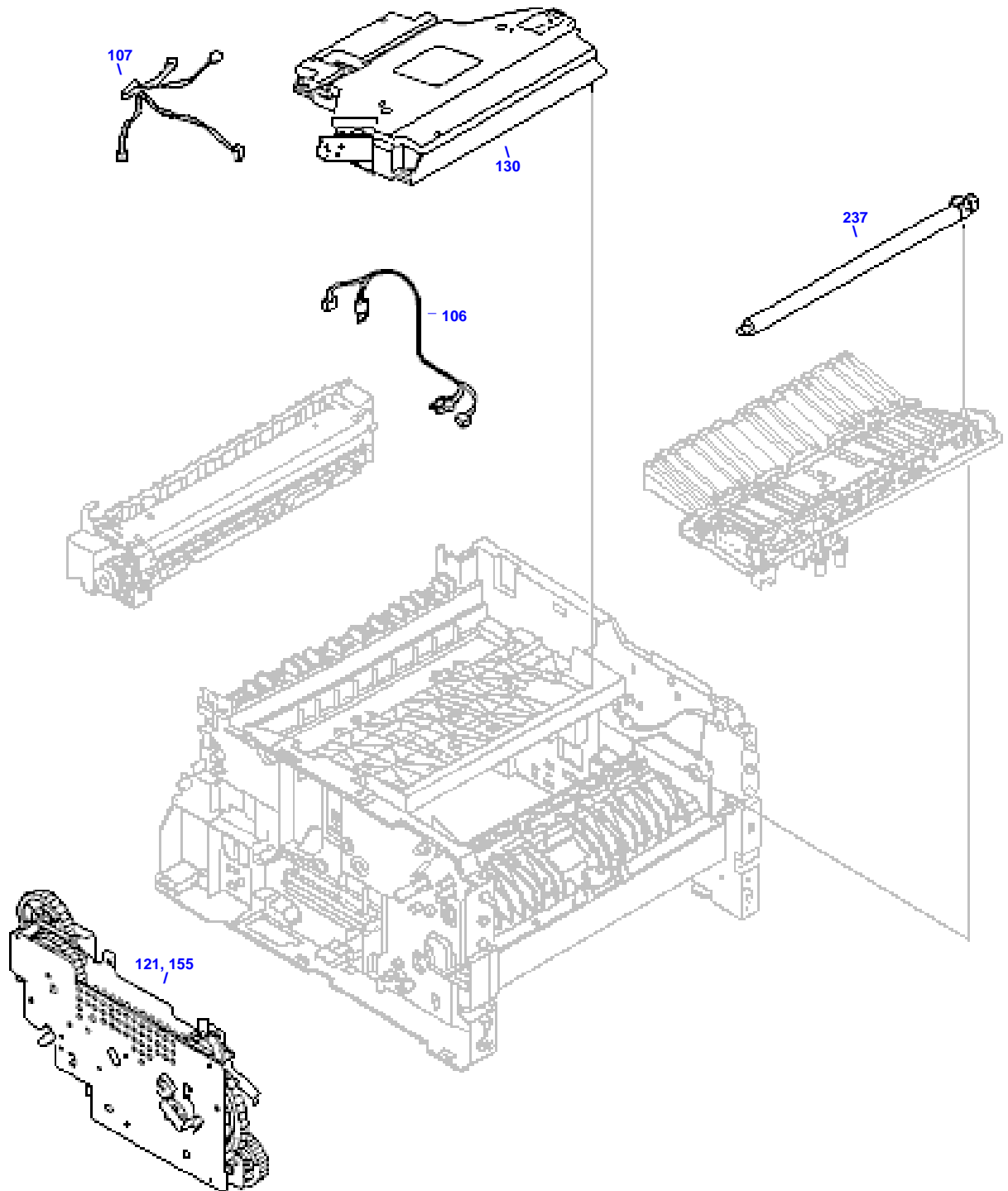




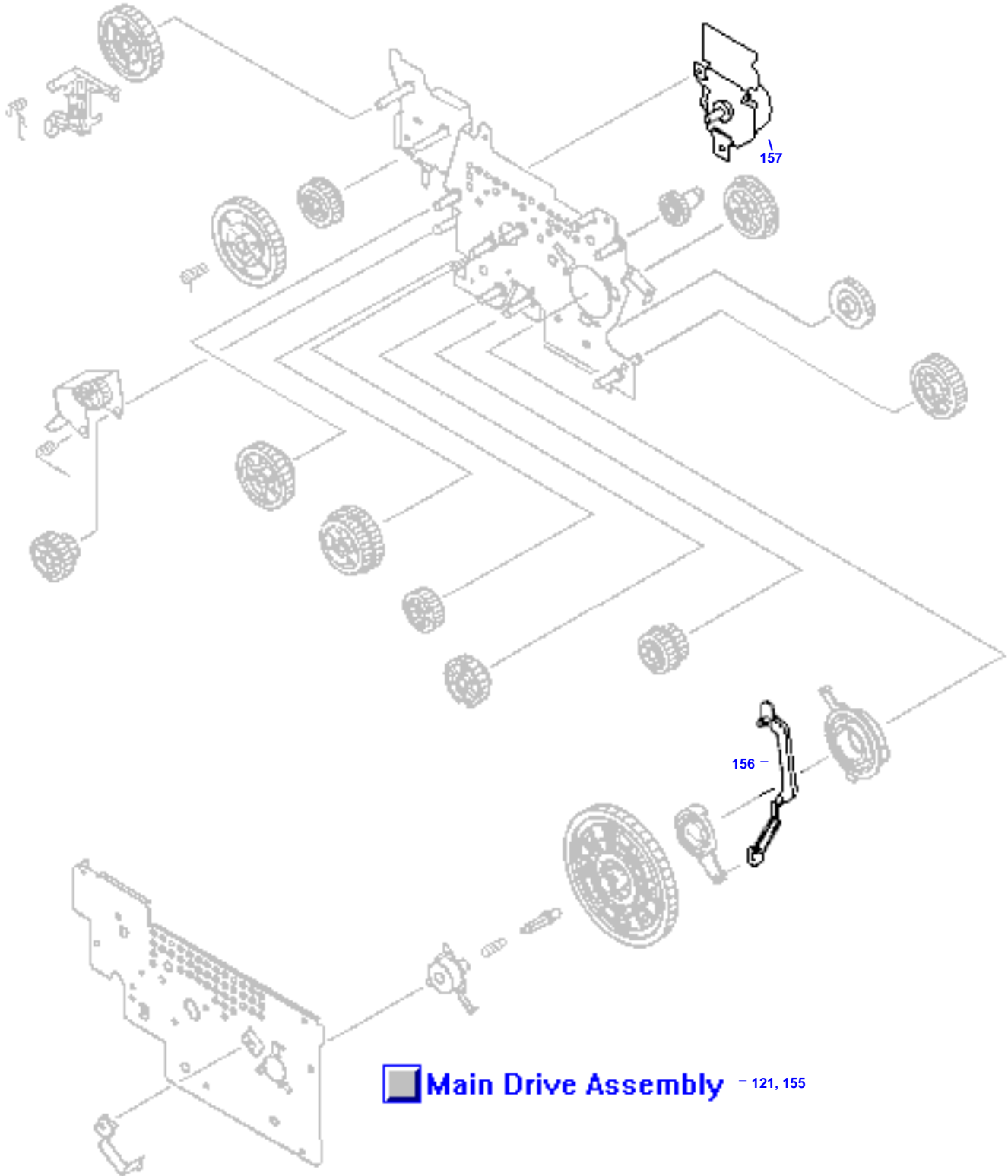
Internal Components (3 of 4)



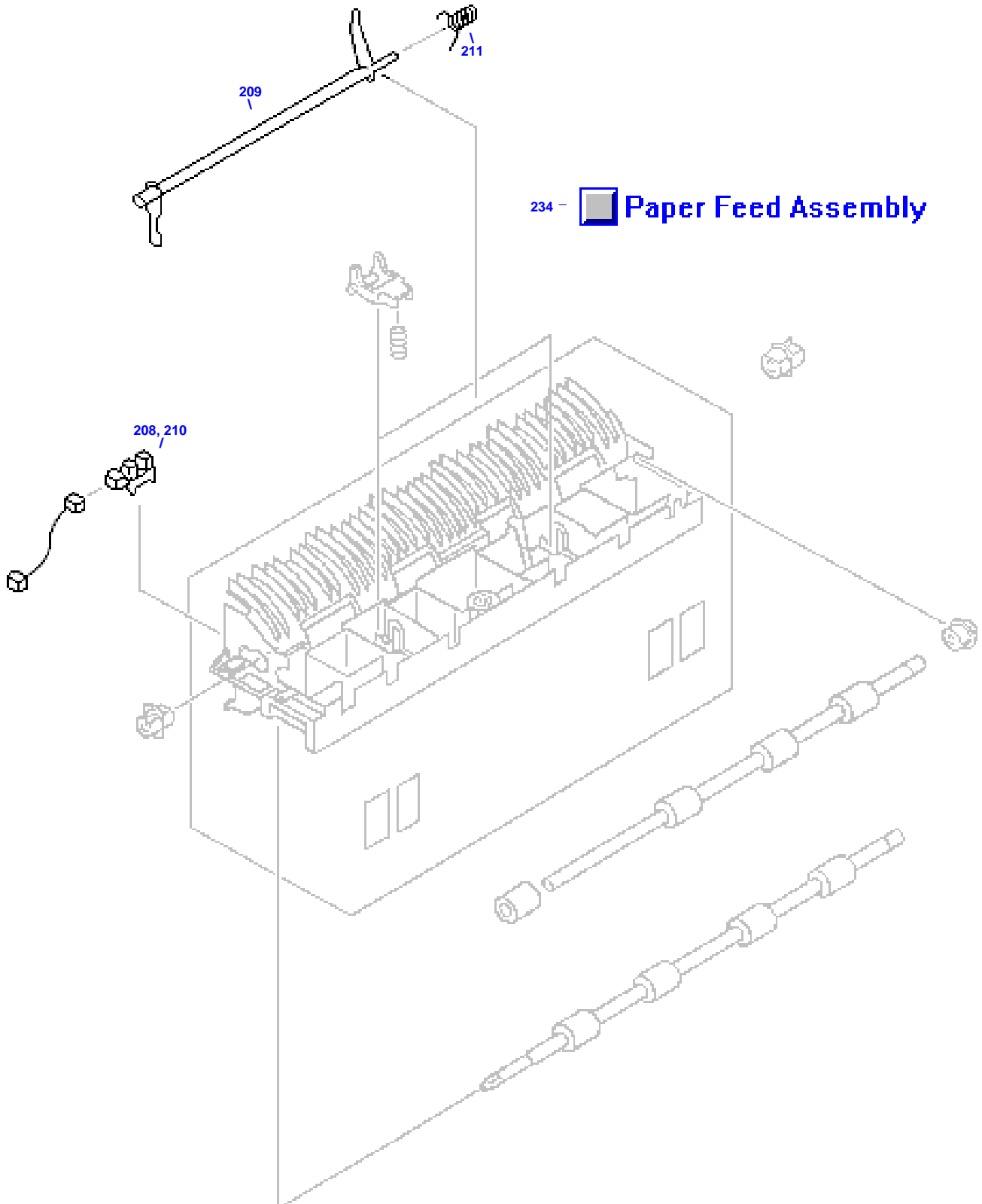
Internal Components (4 of 4)



Main Drive Assembly

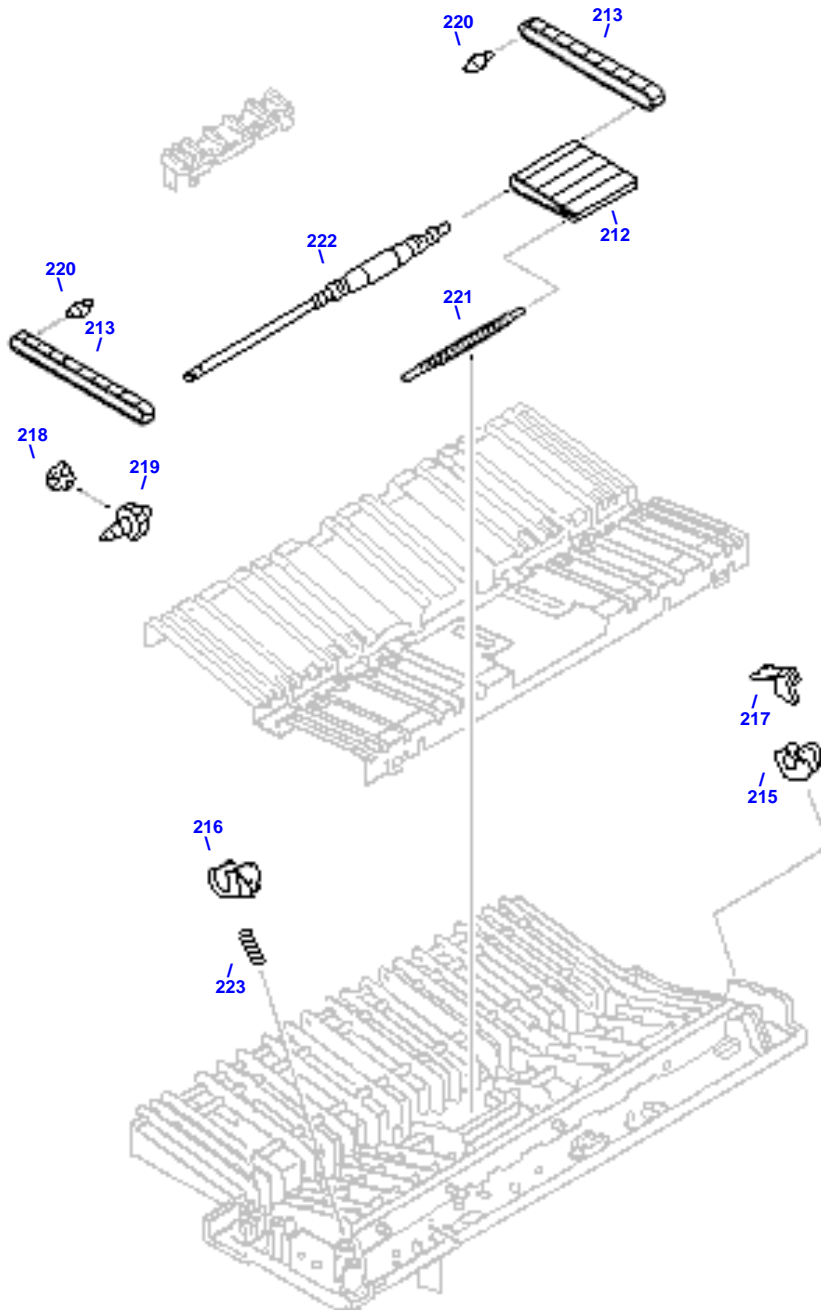


Paper Feed Assembly

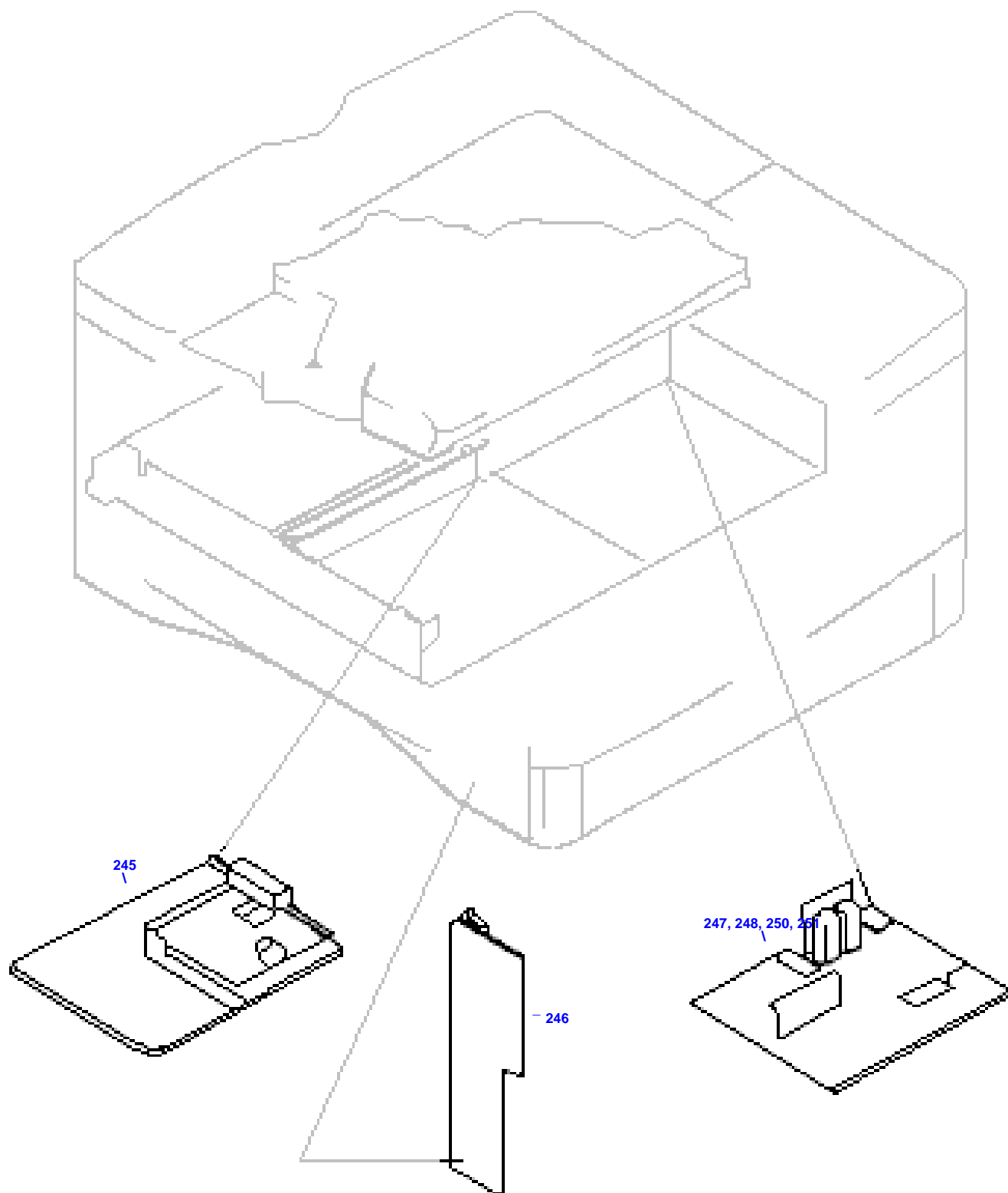


Paper Feed Belt Assembly

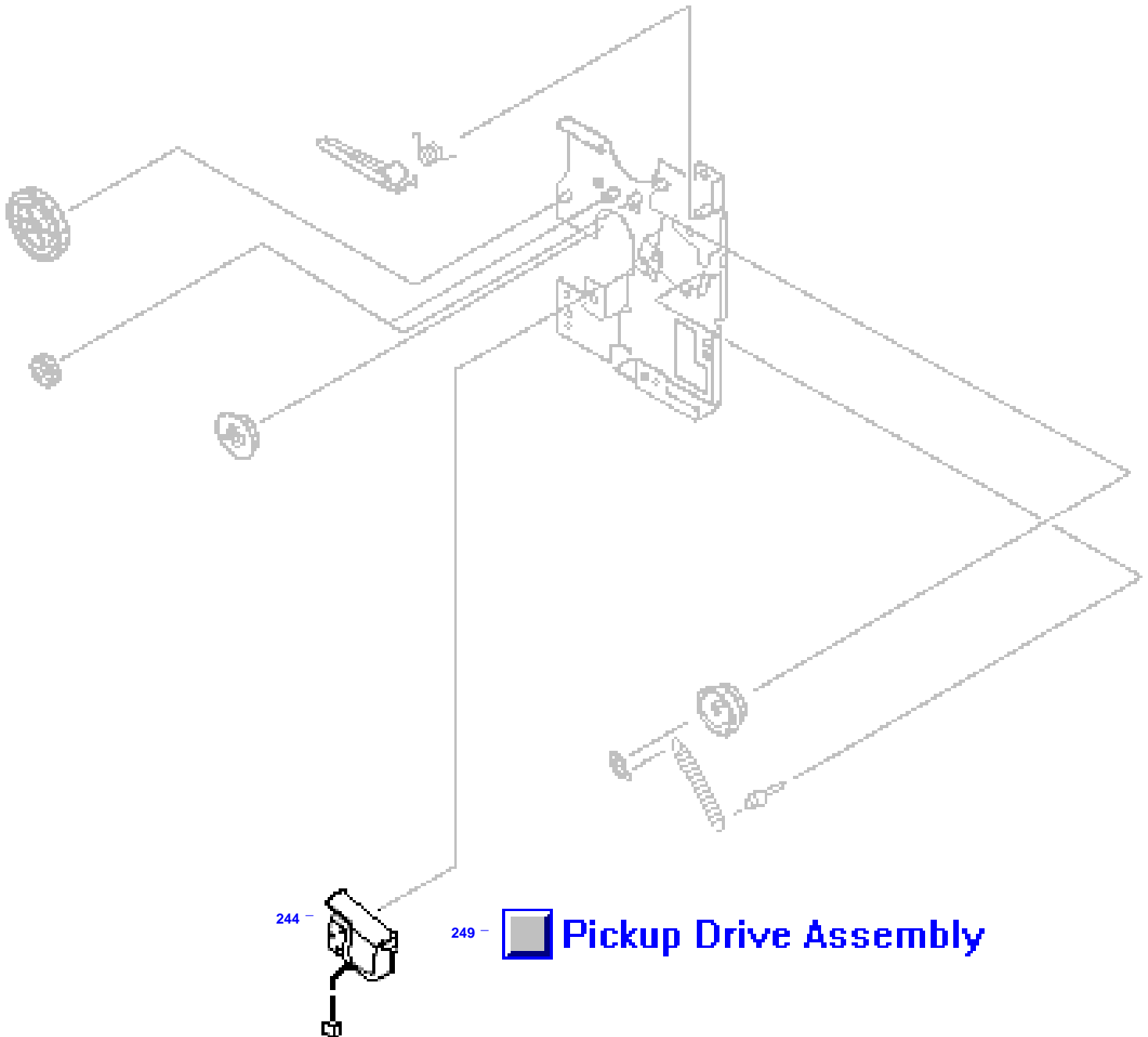
214, 225 -  Paper Feed Belt Assembly



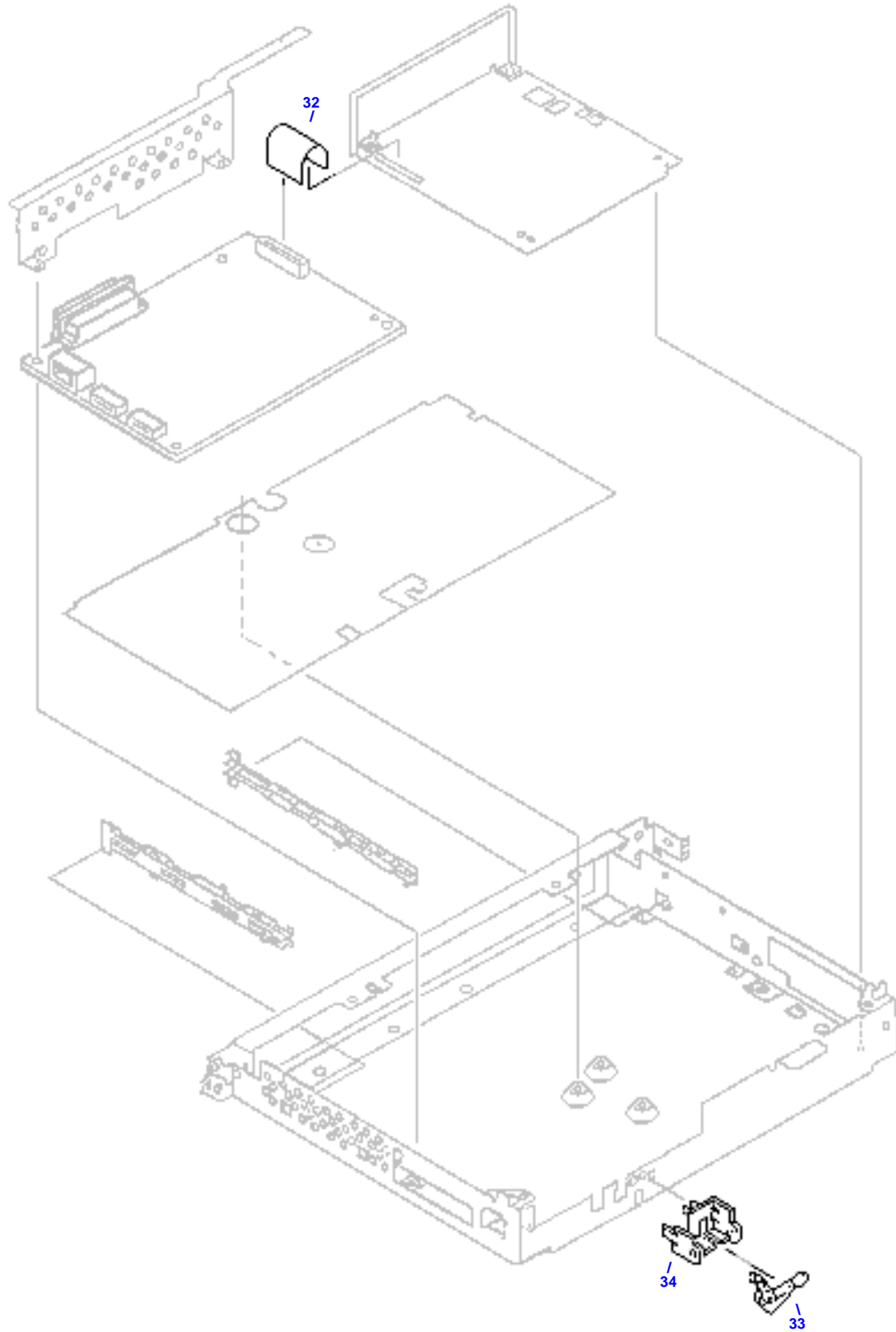
PCA Assembly Locations



Pickup Drive Assembly

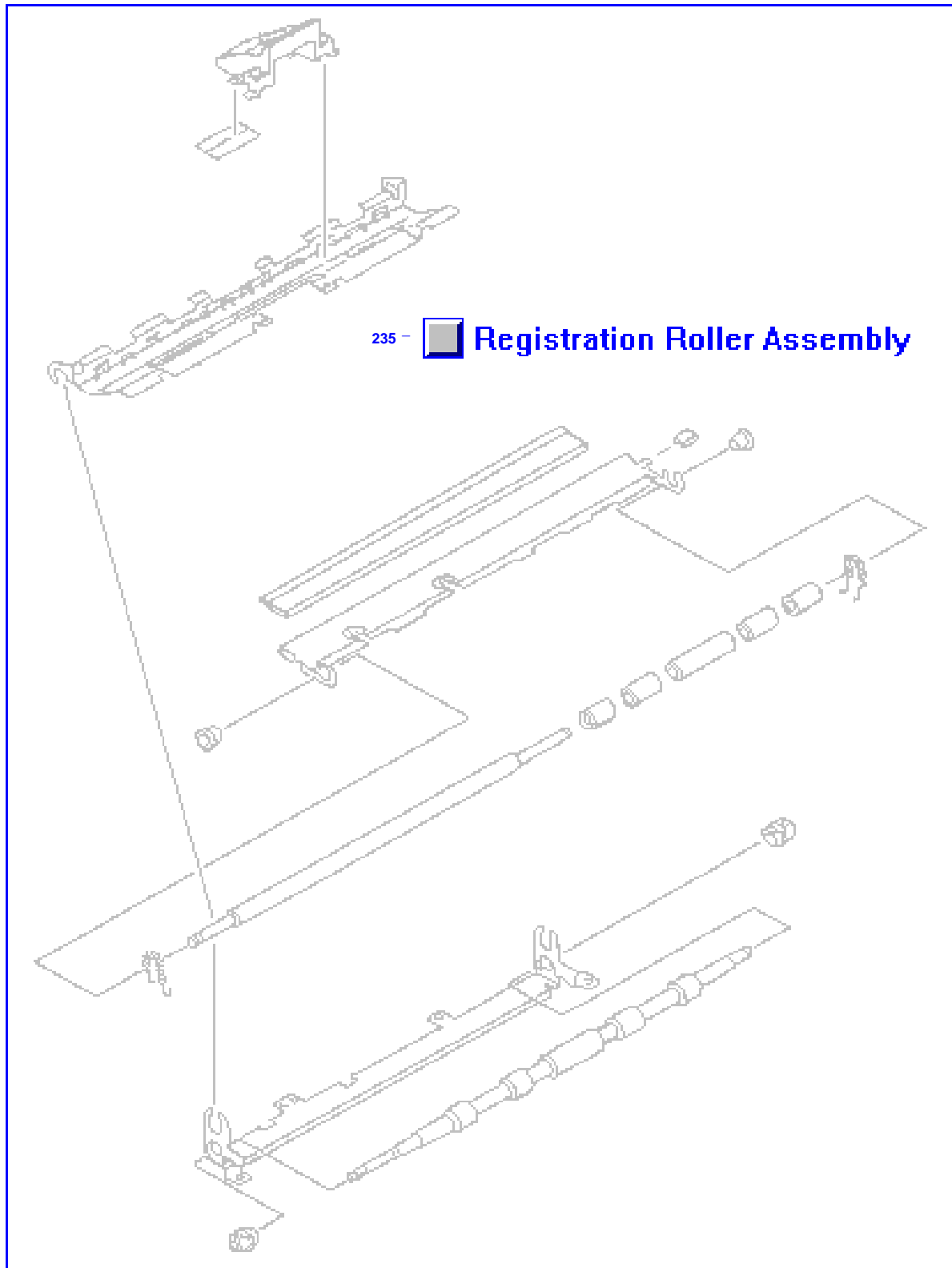


Printer Controller Assembly

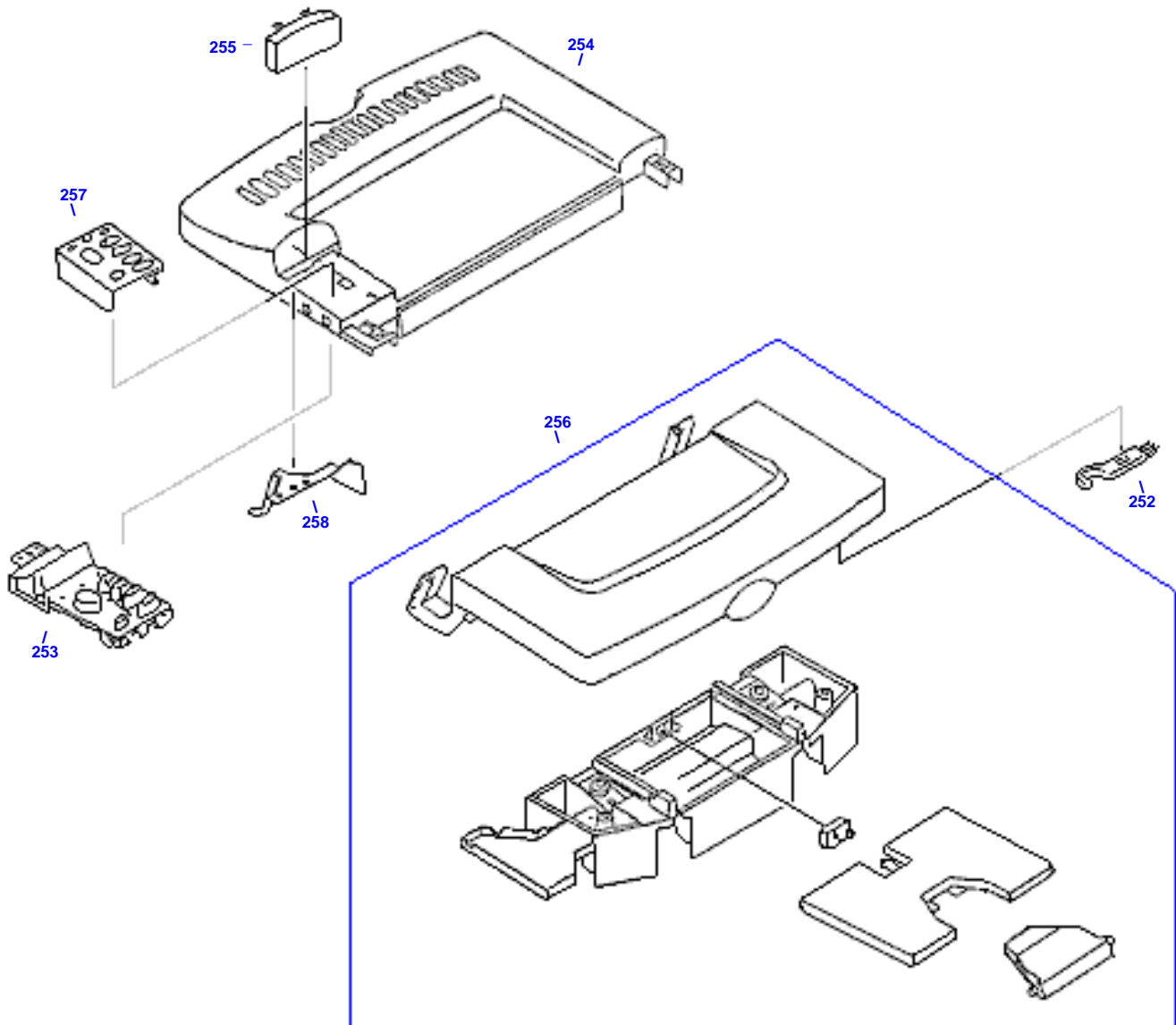




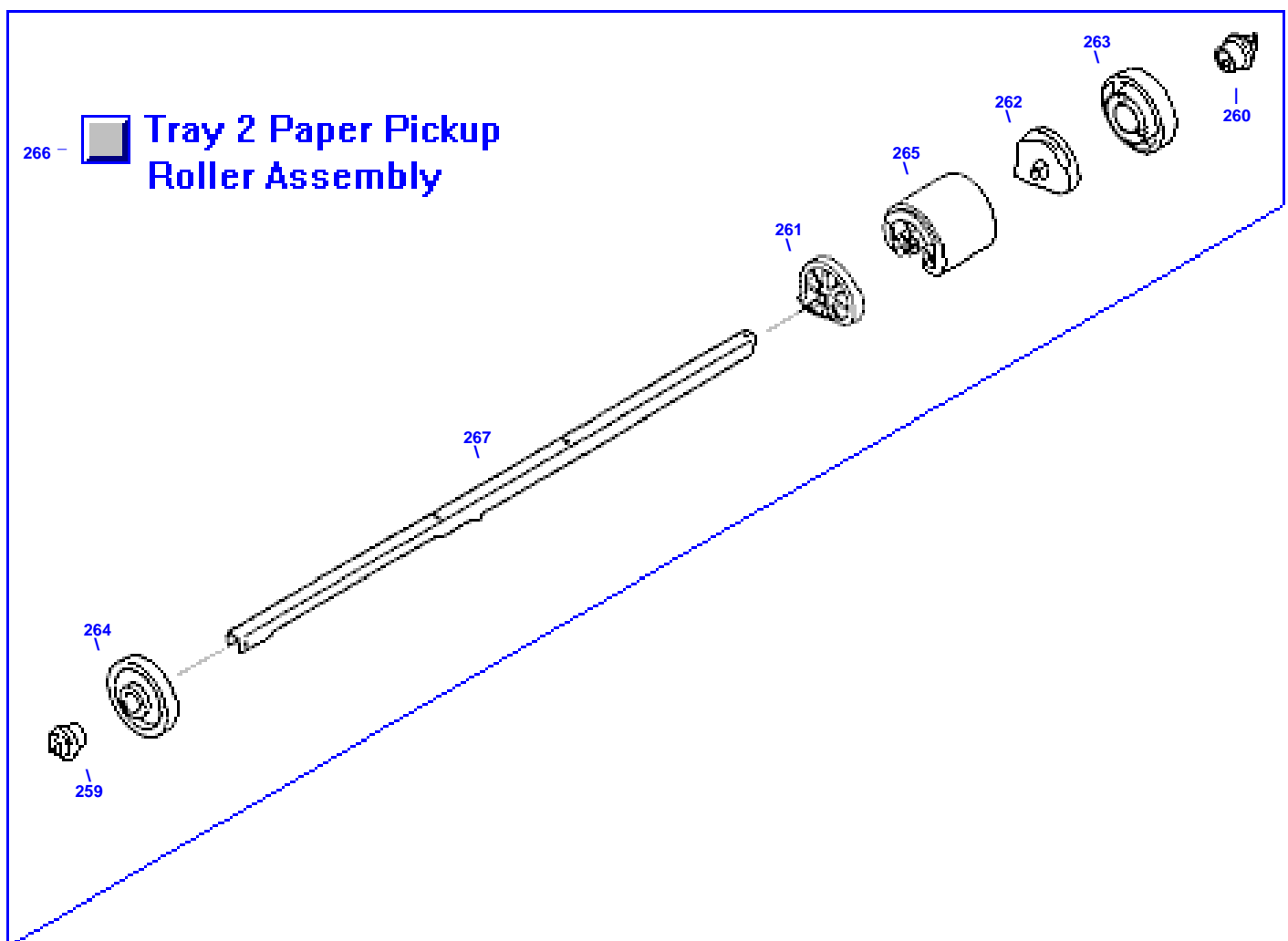
Registration Roller Assembly



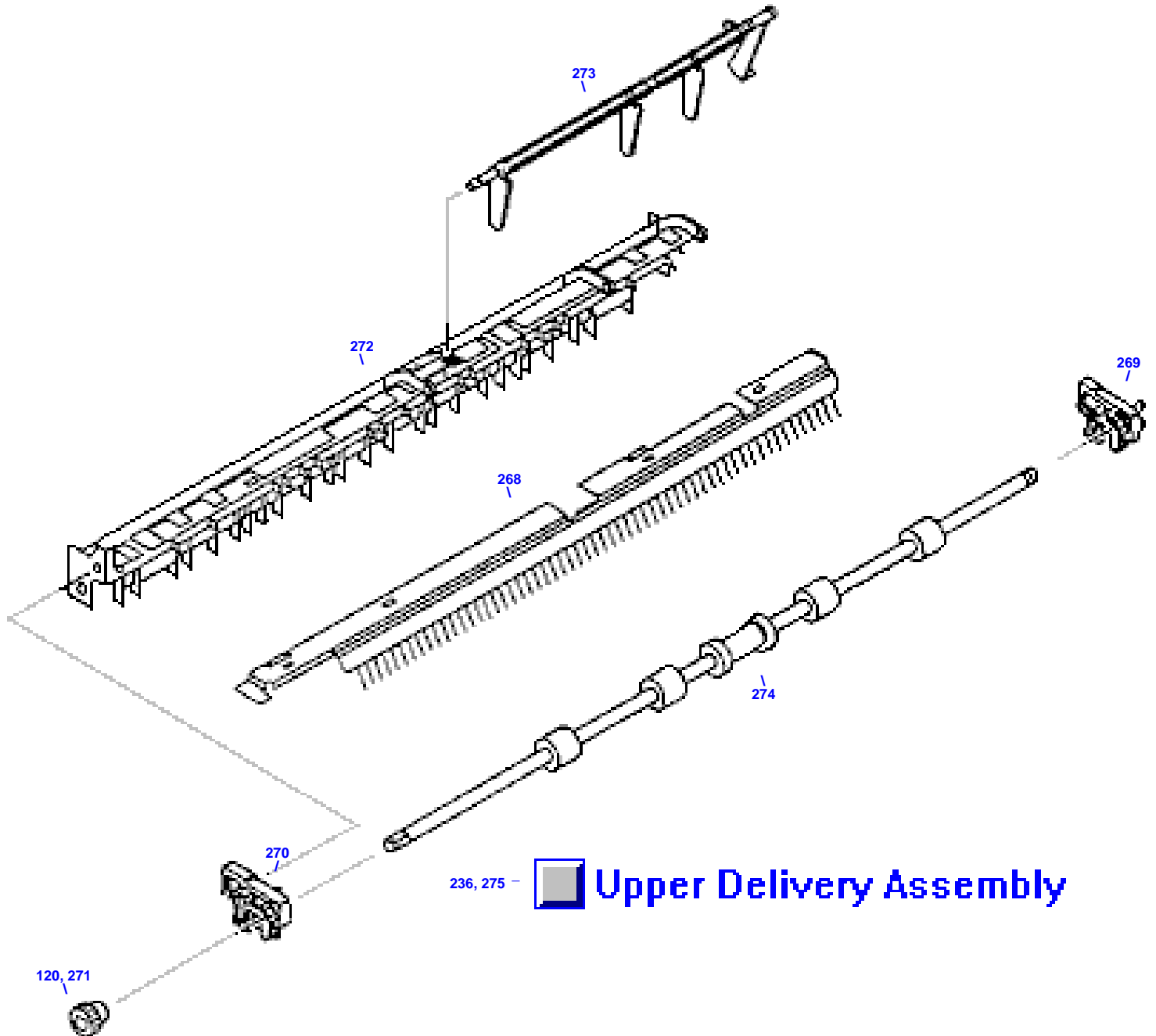
Top Cover Assembly



Tray 2 Pickup Roller Assembly



Upper Delivery Assembly



236, 275 -  Upper Delivery Assembly



**HP Parts Reference Guide**

<http://www.hp.com/go/parts>

**HP PartSurfer**

<http://partsurfer.hp.com>

**HP Parts Ordering Information**

<http://www.hp.com/go/hpparts>

**HP Parts Questions/Comments**

<http://partsurfer.hp.com/contactus.htm>