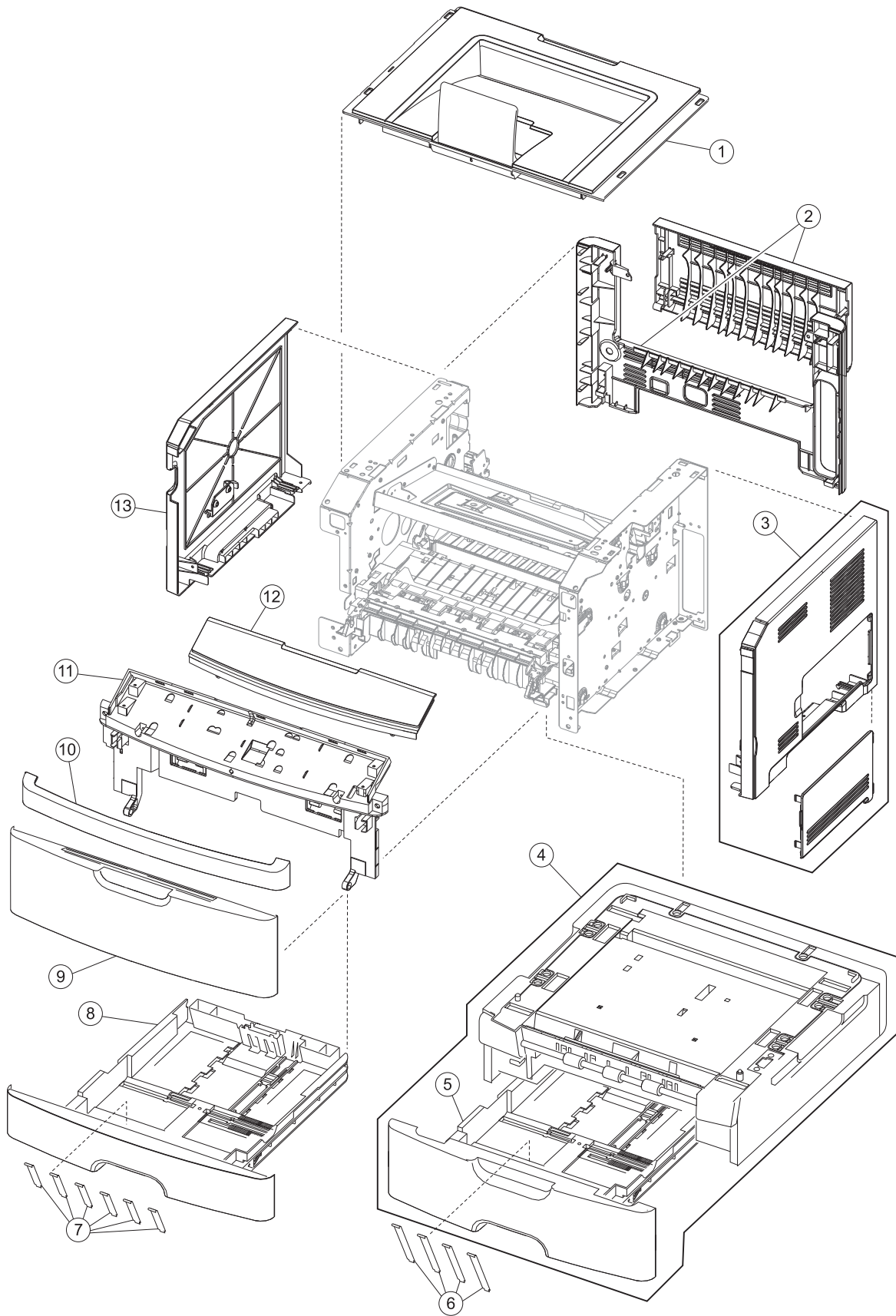


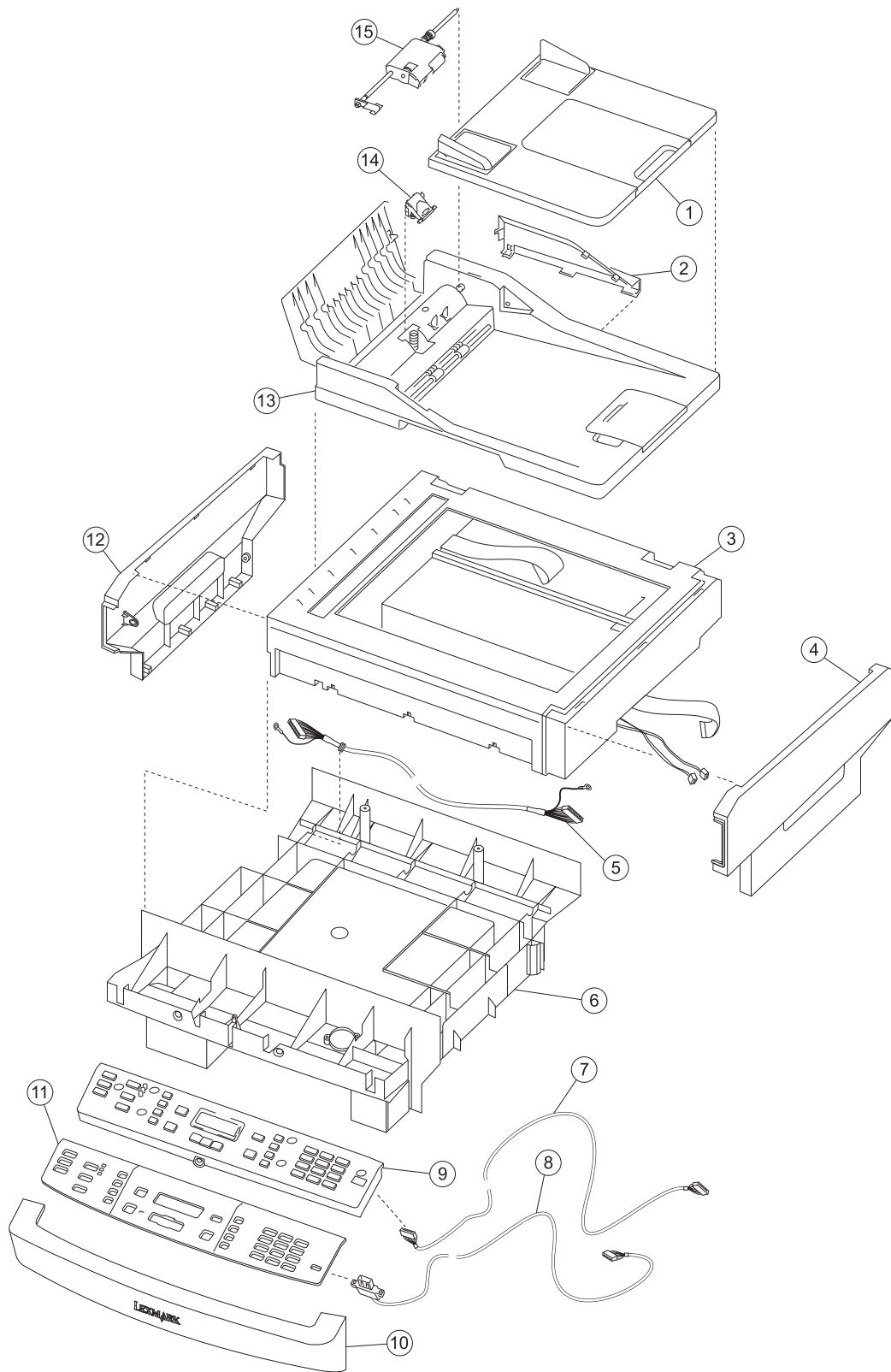
## Assembly 1: Covers



## Assembly 1: Covers

Asm-Index	Part number	Units/mach	Units/FRU	Description
1-1	40X5614	1	1	Top cover assembly
2	40X5377	1	1	Rear upper and lower cover assembly
3	40X5375	1	1	Right side cover
4	40X5398	1	1	Optional 250-sheet tray
4	40X5399	1	1	Optional 550-sheet tray
5	40X5394	1	1	250-sheet (Tray 2) assembly
5	40X5395	1	1	550-sheet (Tray 2) assembly
6	40X2855	1	4	Tray 2 wear strips (550-sheet tray only)
7	40X5382	1	6	Wear strips (250-sheet trays, optional and primary)
8	40X5381	1	1	Main tray
9	40X5379	1	1	Front door cover
10	40X5448	1	1	Nameplate cover
11	40X5806	1	1	Lower AIO access assembly
12	40X5778	1	1	Front access door cover
13	40X5374	1	1	Left side cover

## Assembly 2: Scanner



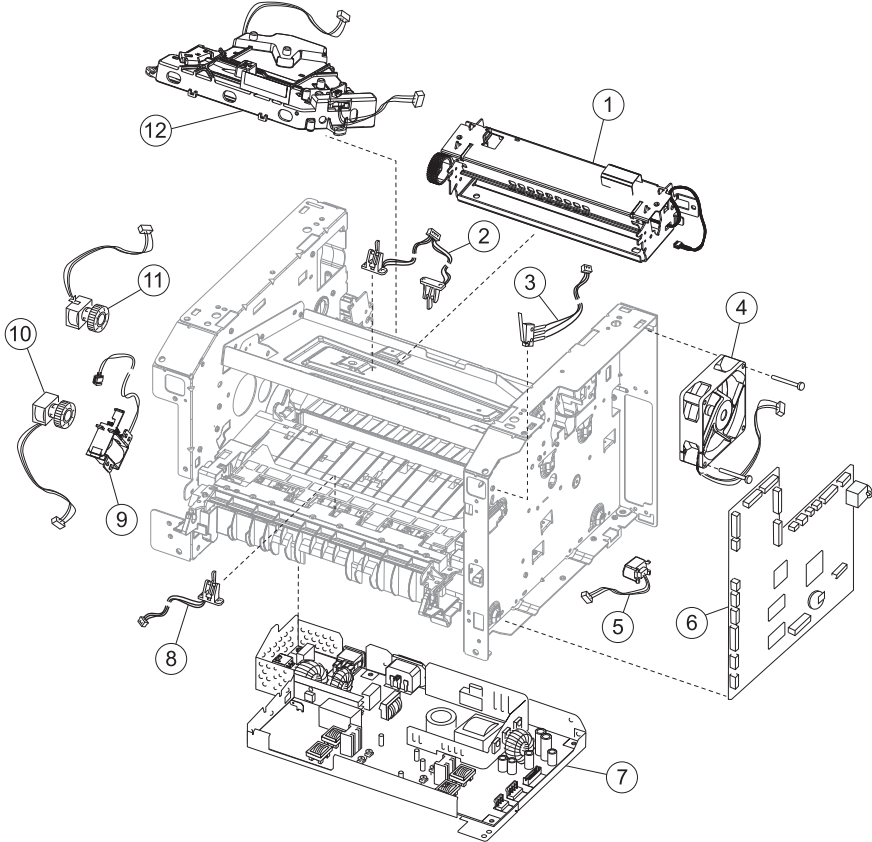
## Assembly 2: Scanner

Asm-Index	Part number	Units/mach	Units/FRU	Description
2-1	40X5470	1	1	ADF input tray
2	40X5477	1	1	ADF rear simplex cover
2	40X5478	1	1	ADF rear duplex cover
3	40X5779	1	1	Flatbed assembly
4	40X5621	1	1	Right scanner cover
5	40X5622	1	1	ADF cable
6	40X5615	1	1	Tub cover
7	40X5623	1	1	Operator panel cable
8	40X5624	1	1	USB cable
9	40X5617	1	1	Operator panel X264/X364
9	40X5961			Operator panel X264/X364 (DBCS)
9	40X5618	1	1	Operator panel X363
10	40X5616			Nameplate cover
11	40X0064	1	1	Bezel (French OP X264)
11	40X0089	1	1	Bezel (French OP X363)
11	40X0109	1	1	Bezel (French OP X364)
11	40X0118	1	1	Bezel (Italian OP X264)
11	40X0119	1	1	Bezel (Italian OP X363)
11	40X0128	1	1	Bezel (Italian OP X364)
11	40X0139	1	1	Bezel (German OP X264)
11	40X0146	1	1	Bezel (German OP X363)
11	40X0155	1	1	Bezel (German OP X364)
11	40X0158	1	1	Bezel (Spanish OP X264)
11	40X0166	1	1	Bezel (Spanish OP X363)
11	40X0167	1	1	Bezel (Spanish OP X364)
11	40X0169	1	1	Bezel (Brazilian Portuguese OP X264)
11	40X0170	1	1	Bezel (Brazilian Portuguese OP X363)
11	40X0171	1	1	Bezel (Brazilian Portuguese OP X364)
11	40X0172	1	1	Bezel (Dutch OP X264)
11	40X0173	1	1	Bezel (Dutch OP X363)
11	40X0175	1	1	Bezel (Dutch OP X364)
11	40X0176	1	1	Bezel (Danish OP X264)
11	40X0177	1	1	Bezel (Danish OP X363)
11	40X0178	1	1	Bezel (Danish OP X364)
11	40X0180	1	1	Bezel (Norwegian OP X264)
11	40X0181	1	1	Bezel (Norwegian OP X363)
11	40X0184	1	1	Bezel (Norwegian OP X364)
11	40X0185	1	1	Bezel (Swedish OP X264)
11	40X0186	1	1	Bezel (Swedish OP X363)
11	40X0214	1	1	Bezel (Swedish OP X364)
11	40X0227	1	1	Bezel (Finnish OP X264)
11	40X0242	1	1	Bezel (Finnish OP X363)
11	40X0243	1	1	Bezel (Finnish OP X364)

## Assembly 2: Scanner

Asm-Index	Part number	Units/mach	Units/FRU	Description
11	40X0247	1	1	Bezel (Russian OP X264)
11	40X0261	1	1	Bezel (Russian OP X363)
11	40X0262	1	1	Bezel (Russian OP X364)
11	40X0315	1	1	Bezel (Polish OP X264)
11	40X0316	1	1	Bezel (Polish OP X363)
11	40X0317	1	1	Bezel (Polish OP X364)
11	40X0318	1	1	Bezel (Turkish OP X264)
11	40X0319	1	1	Bezel (Turkish OP X363)
11	40X0320	1	1	Bezel (Turkish OP X364)
11	40X0321	1	1	Bezel (Bulgarian OP X264)
11	40X0322	1	1	Bezel (Bulgarian OP X363)
11	40X0323	1	1	Bezel (Bulgarian OP X364)
11	40X0324	1	1	Bezel (Czech OP X264)
11	40X0325	1	1	Bezel (Czech OP X363)
11	40X0326	1	1	Bezel (Czech OP X364)
11	40X0327	1	1	Bezel (Hungarian OP X264)
11	40X0328	1	1	Bezel (Hungarian OP X363)
11	40X0329	1	1	Bezel (Hungarian OP X364)
11	40X0330	1	1	Bezel (Japanese OP X264)
11	40X0331	1	1	Bezel (Japanese OP X363)
11	40X0332	1	1	Bezel (Japanese OP X364)
11	40X0333	1	1	Bezel (Korean OP X264)
11	40X0334	1	1	Bezel (Korean OP X363)
11	40X0335	1	1	Bezel (Korean OP X364)
11	40X0336	1	1	Bezel (Traditional Chinese OP X264)
11	40X0337	1	1	Bezel (Traditional Chinese OP X363)
11	40X0338	1	1	Bezel (Traditional Chinese OP X364)
11	40X0339	1	1	Bezel (Simplified Chinese OP X264)
11	40X0340	1	1	Bezel (Simplified Chinese OP X363)
11	40X0341	1	1	Bezel (Simplified Chinese OP X364)
11	40X5771	1	1	Bezel (ASM op panel SB X264)
11	40X5772	1	1	Bezel (ASM op panel SB X363)
11	40X5773	1	1	Bezel (ASM op panel SB X364)
12	40X5620	1	1	Left scanner cover
13	40X0168	1	1	Simplex ADF
13	40X5468	1	1	Duplex ADF
14	40X8419	1	1	ADF separator pad
15	40X7545	1	1	ADF separator roll
NS	40X5539	1	1	Flatbed cushion (simplex ADF)
NS	40X5535	1	1	Flatbed cushion (duplex ADF)
NS	40X5807	1	1	ADF maintenance kit

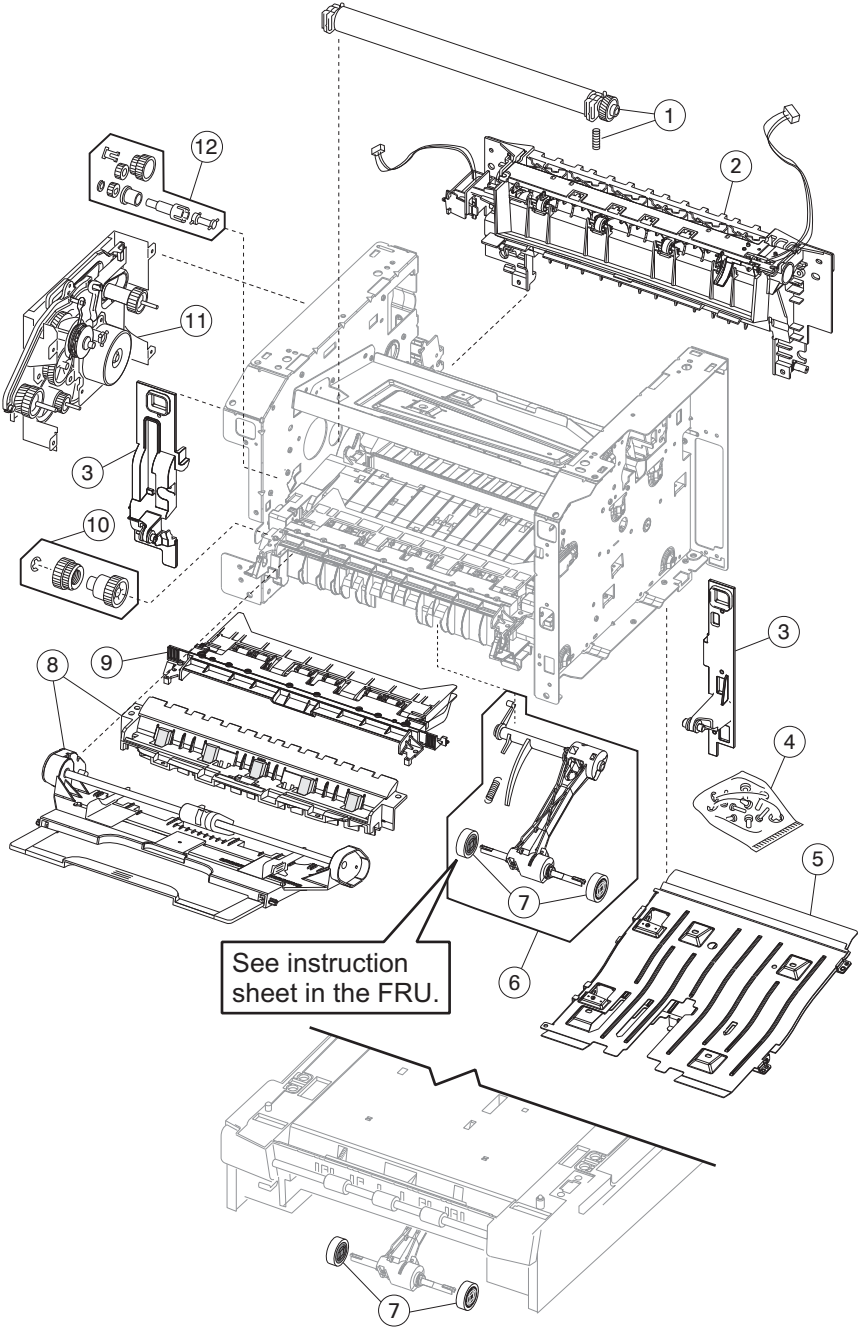
# Assembly 3: Electronics



### Assembly 3: Electronics

Asm-Index	Part number	Units/mach	Units/FRU	Description
3-1	40X5344	1		Fuser assembly, 110 V
1	40X5345	1		Fuser assembly, 220 V
1	40X5346	1		Fuser assembly, 100 V
2	40X5365	1	1	Duplex and media sensor assembly
3	40X5360	1	1	Access door open sensor assembly
4	40X5392	1	1	Cooling fan (screws included)
5	40X5385	1	1	Toner low sensor
6	40X5612	1	1	Controller board, X264
6	40X5613	1	1	Controller board, X363/X364
7	40X5361	1		LVPS/HVPS card assembly, 110 V/100 V
7	40X5362	1		LVPS/HVPS card assembly, 220 V
8	40X5366	1	1	Manual input sensor assembly
9	40X5369	1	1	Manual feed solenoid
10	40X5371	1	1	MPF feed clutch
11	40X5370	1	1	Media feed (ACM) clutch
12	40X5626	1		LSU (printhead)
NS	40X5320			Wireless antenna with clip
NS	40X5036			802.11 B/G/N wireless card assembly
NS	40X5056			Fax card

# Assembly 4: Frame





**Assembly 4: Frame**

Asm-Index	Part number	Units/mach	Units/FRU	Description
3-1	40X5364	1		Transfer roll, bearings, gear, spring (CBM)
2	40X5372	1		Media exit guide assembly (redrive)
3	40X5397	1	1	Front mounts
4	40X5396	N/A		Screws, miscellaneous
			4	TP2NCX3X6PF-Ni
			4	TP2C-4.0+8PF-Ni
			4	M3.0*0.5+6PF-Ni
			2	M3.0*0.5+4PF-Ni
			2	M3.5*0.6+6P-Ni
5	40X5380	1	1	Complete duplex assembly
6	40X5453	1	1	Media (ACM) drive assembly
7	40X5451	2	2	Paper feed, ACM tires
7	40X5440	1	2	Tray 2 paper feed tires
8	40X5358	1	1	MPF tray assembly (X36x series only)
9	40X5383	1	1	Upper front frame assembly
10	40X5368	1	1	Manual feed clutch CBM
11	40X5367	1	1	Main drive gearbox (in motor)
12	40X5363	1	1	Duplex gear drive CBM

## Assembly 5: Options

Asm-Index	Part number	Units/mach	Units/FRU	Description
NS	40X6339	1	1	64MB NAND flash memory
NS	40X1368	1	1	USB cable, packaged (2 m)
NS	3049622	1		Relocation kit

**Assembly 6: Power cords**

Asm-Index	Part number	Units/mach	Units/FRU	Description
NS	40X0297	1		Power cord, 1.8M (straight)—USA, Canada
NS	40X0278	1		Power cord, 6 foot (straight)—Europe and others
NS	40X0288	1		Power cord, 8 foot (straight)—Argentina
NS	40X0286	1		Power cord, 8 foot (straight)—United Kingdom
NS	40X0275	1		Power cord, 6 foot (straight)—Israel
NS	40X0274	1		Power cord, 6 foot (straight)—Switzerland
NS	40X0276	1		Power cord, 6 foot (straight)—South Africa
NS	40X0287	1		Power cord, 6 foot (straight)—Traditional Italy
NS	40X0279	1		Power cord, 6 foot (straight)—Denmark
NS	40X4596	1		Power cord, 6 foot (straight)—Brazil
NS	40X0282	1		Power cord, 1.8M (straight)—PRC
NS	40X0270	1		Power cord, 2.5M (straight)—Japan
NS	40X0280	1		Power cord, 1.8M (straight)—Korea
NS	40X0281	1		Power cord, 1.8M (straight)—Taiwan
NS	40X0296	1		Power cord, 1.8M (straight)—Australia