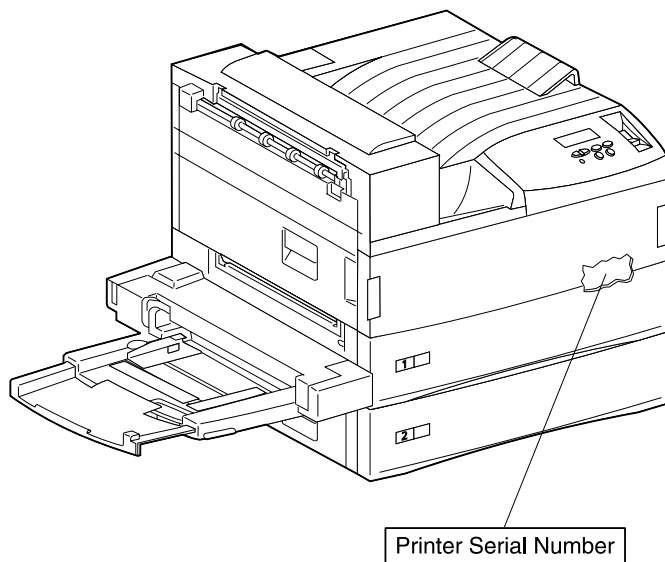
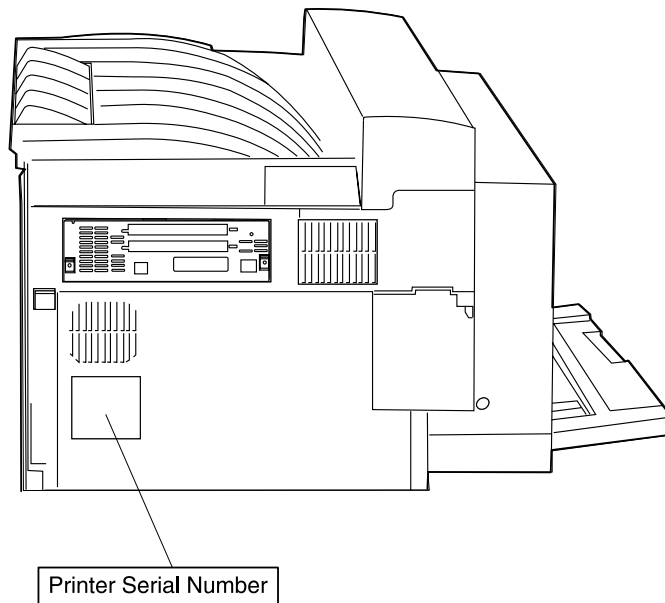


7. Parts Catalog

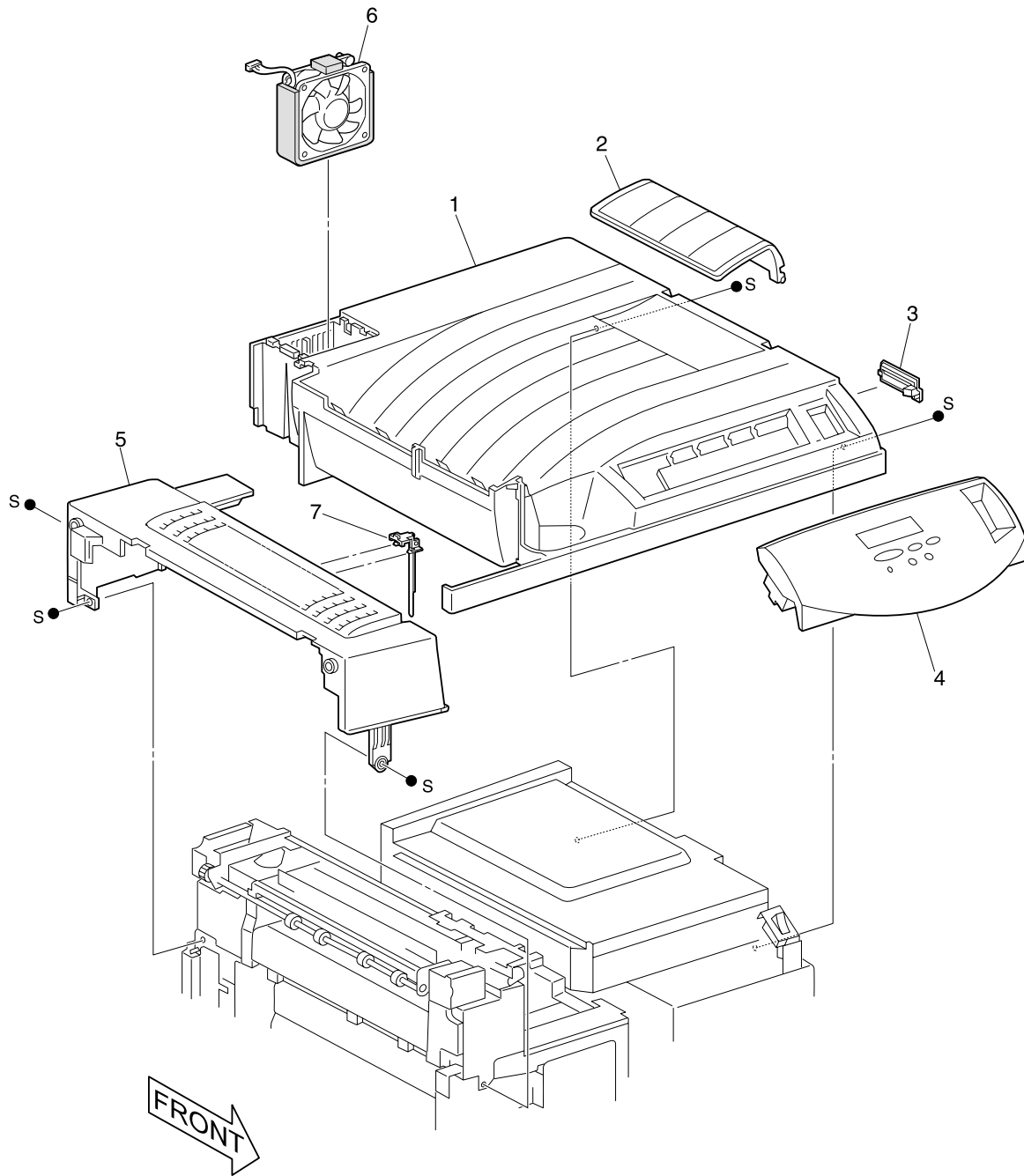
How to Use This Parts Catalog

- The callout numbers shown in each parts illustration correspond to the parts list numbers for that illustration.
- The capital letters "C," "E," "KL," and "S" shown in an illustration stand for C-ring, E-ring, Clamp, and Screw, respectively.
- NS: (Not Shown) in the Asm-Index column indicates that the part is procurable but is not pictured in the illustration.

Printer serial number labels are on the rear of the printer and inside the front cover.



Assembly 1: Top Cover Assembly



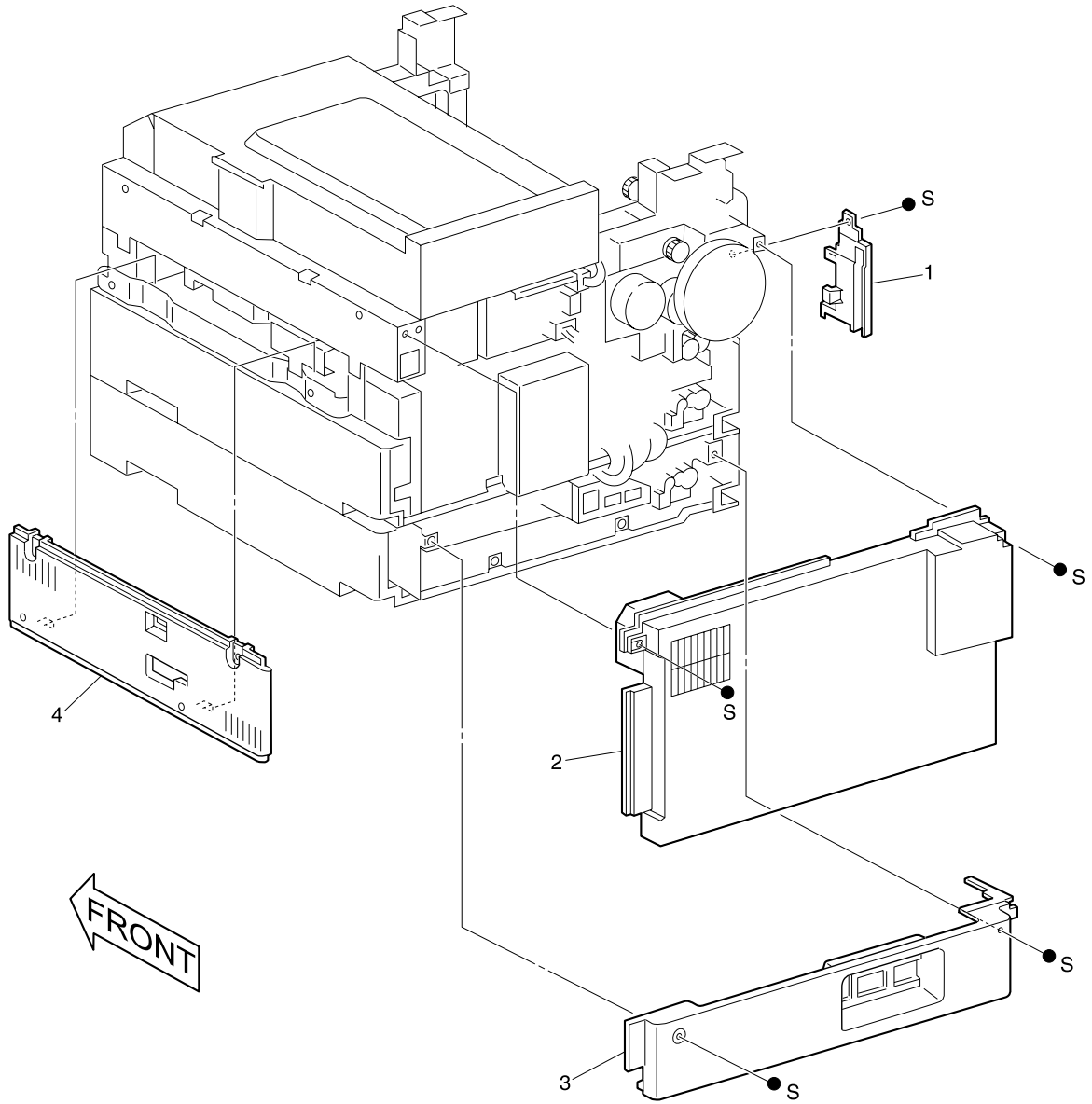
Assembly 1: Top Cover Assembly

| Asm-Index | Part Number | Units | Description |
|------------------|--------------------|--------------|--------------------|
| 1-1 | 12G4000 | 1 | COVER PRINTER, TOP |
| -2 | 12G4001 | 1 | STOP, PAPER |
| -3 | 12G4002 | 1 | COVER, CONNECTOR |
| -4 | 12G4003 | 1 | OP PANEL ASSEMBLY |
| -5 | 12G4004 | 1 | COVER, FUSER |
| -6 | 12G4005 | 1 | FAN, FUSER |
| -7 | 12G4186 | 1 | DAMPER ASM, PAPER |

Assembly 2: Front Cover

| Asm-Index | Part Number | Units | Description |
|------------------|--------------------|--------------|-------------------------------------|
| 2-1 | 12G4009 | 1 | DUCT, AIR |
| -2 | 12G4012 | 1 | KIT,TRAY 2 MOUNTING |
| -3 | 12G4008 | 1 | COVER, PRINTER INNER FRONT |
| -4 | 12G4006 | 1 | COVER, PRINTER, FRONT (W820, X820E) |
| -4 | 56P2725 | 1 | COVER, PRINTER, FRONT (X830E) |
| -4 | 56P2726 | 1 | COVER, PRINTER, FRONT (X832E) |
| -5 | 12G4007 | 1 | HINGE, COVER |
| -6 | 12G4011 | 1 | STRAP, COVER SUPPORT |
| -7 | 12G4010 | 1 | SWITCH, INTERLOCK ASSEMBLY |

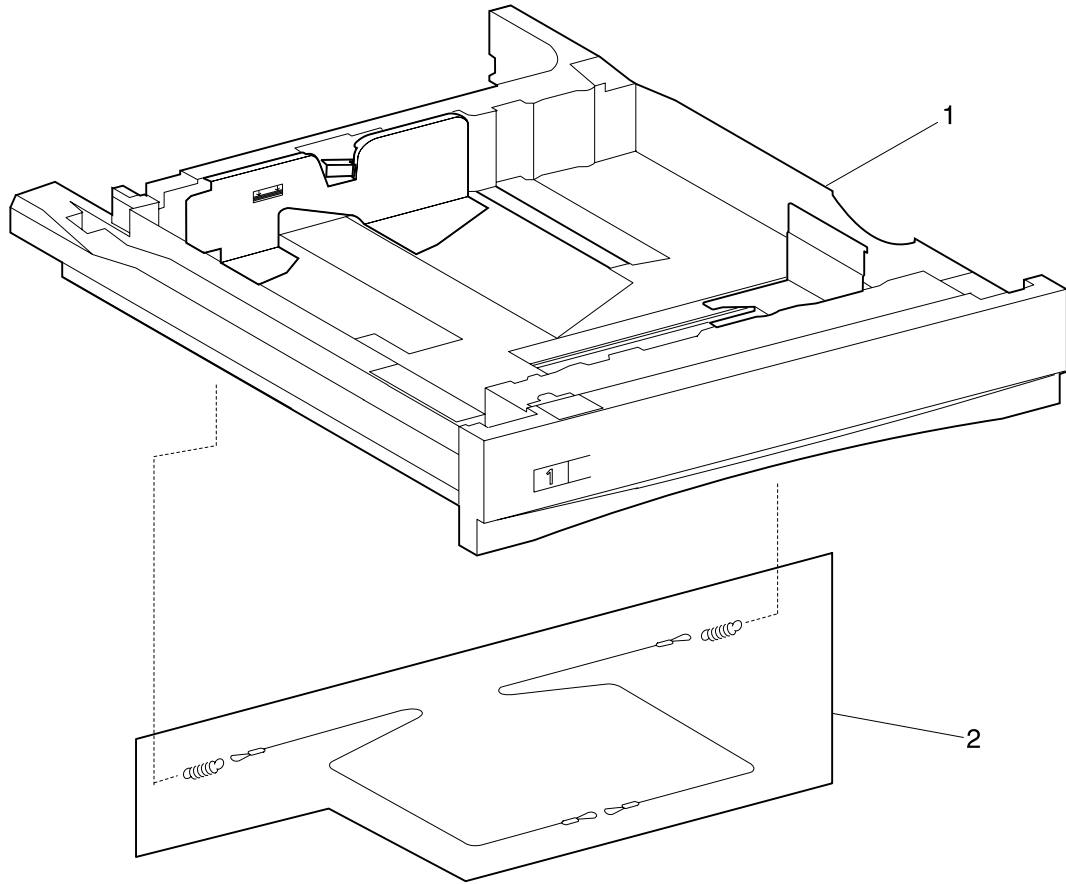
Assembly 3: Rear, Left, and Right Covers



Assembly 3: Rear, Left, and Right Covers

| Asm-Index | Part Number | Units | Description |
|------------------|--------------------|--------------|-------------------------------|
| 3-1 | 12G4013 | 1 | COVER, PRINTER INNER LH |
| -2 | 12G4015 | 1 | COVER ASM, PRINTER REAR UPPER |
| -3 | 12G4016 | 1 | COVER PRINTER, REAR LOWER |
| -4 | 12G4014 | 1 | COVER, PRINTER RH |

Assembly 4: Tray Unit - Paper Stack



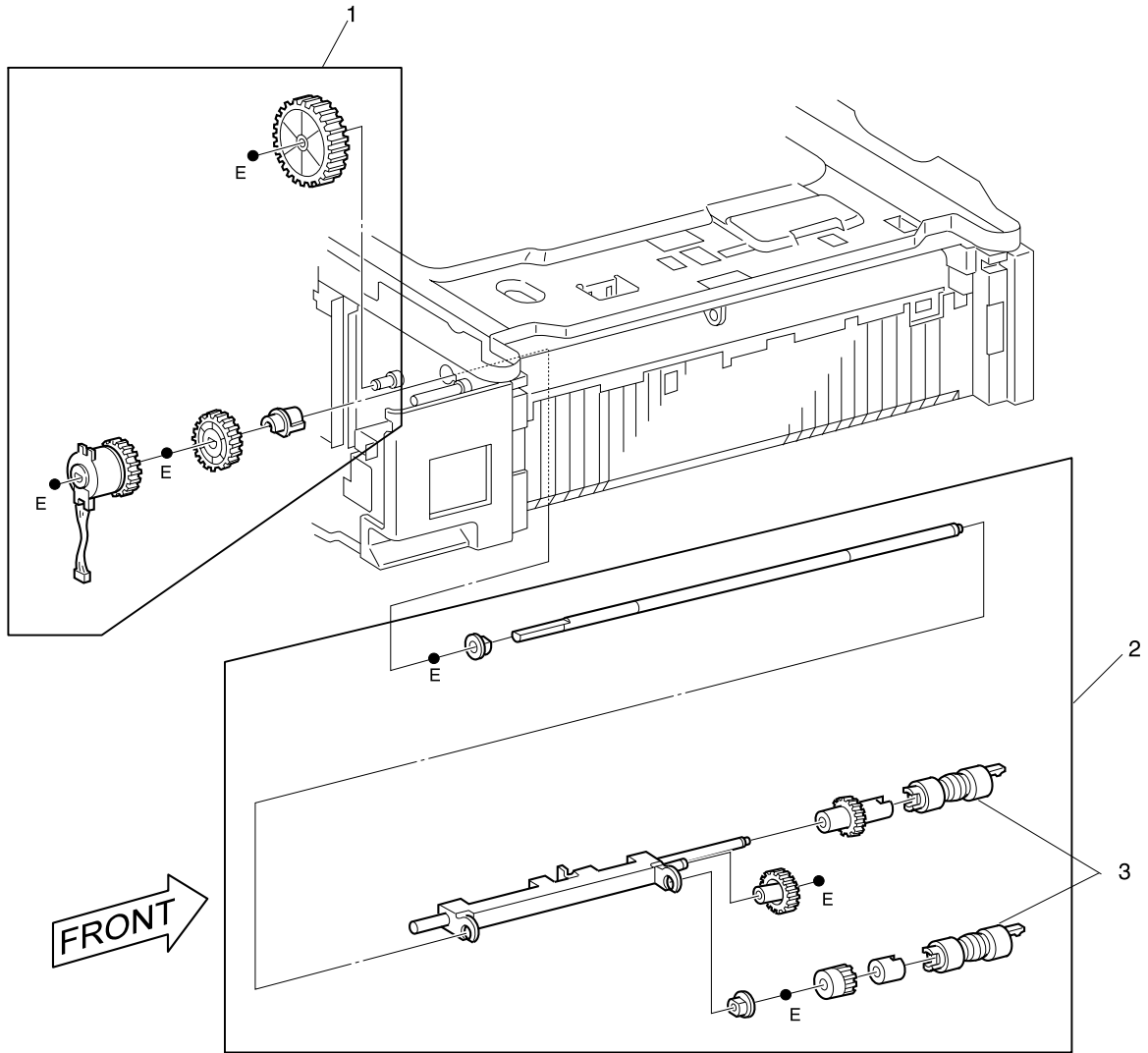
Assembly 4: Tray Unit - Paper Stack

| Asm-Index | Part Number | Units | Description |
|------------------|--------------------|--------------|------------------------|
| 4-1 | 12G4017 | 1 | TRAY ASM, PAPER |
| 2 | 12G4018 | 1 | KIT, PAPER TRAY CABLES |

Assembly 5: Tray Interface

| Asm-Index | Part Number | Units | Description |
|------------------|--------------------|--------------|------------------------|
| 5-1 | 12G4024 | 1 | STOP, TRAY R |
| -2 | 12G4027 | 1 | SPRING, TORSION |
| -3 | 12G4026 | 1 | LINK STOP, TRAY 1 |
| -3 | 12G4036 | 1 | LINK STOP, TRAY 2 |
| -4 | 12G4021 | 1 | SENSOR, PHOTO |
| -5 | 12G4023 | 1 | STOP, TRAY F |
| -6 | 12G4025 | 1 | SPACER, L |
| -7 | 12G4022 | 1 | GUIDE, TRAY 1 |
| -7 | 12G4035 | 1 | GUIDE, TRAY 2 |
| -8 | 12G4028 | 1 | KIT, SENSOR ACTUATOR |
| -9 | 12G4020 | 1 | MOTOR ASM, PAPER TRAY |
| -10 | 12G4019 | 1 | SWITCH ASM, PAPER SIZE |

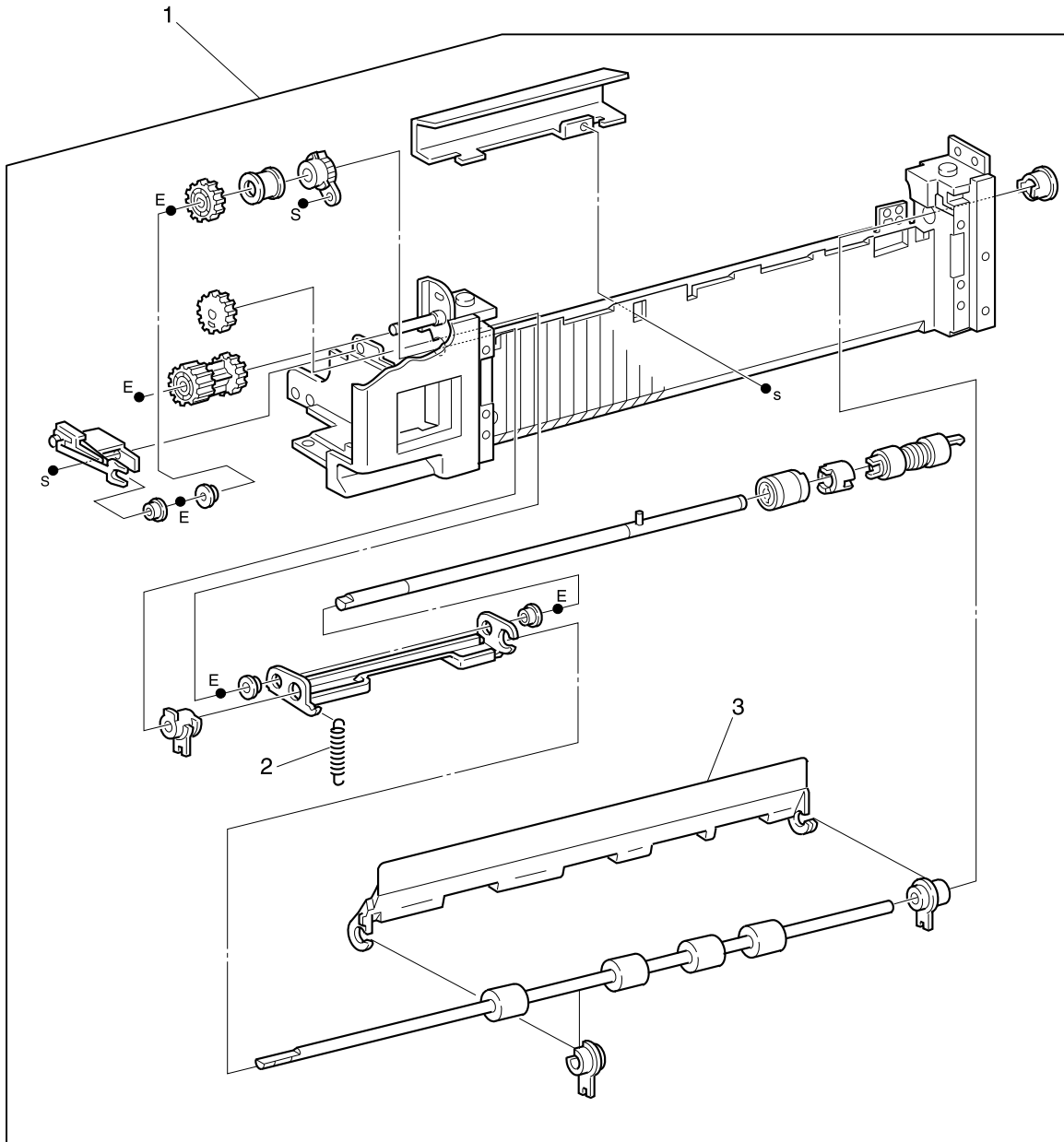
Assembly 6: Paper Pick Up



Assembly 6: Paper Pick Up

| Asm-Index | Part Number | Units | Description |
|------------------|--------------------|--------------|------------------------|
| 6-1 | 12G4030 | 1 | KIT, TRAY 1 CLUTCH |
| -1 | 12G4037 | 1 | KIT, TRAY 2 CLUTCH |
| -2 | 12G4029 | 1 | FEEDER ASM PAPER |
| -3 | 12G4031 | 6 | KIT, FEED ROLL (Qty 6) |

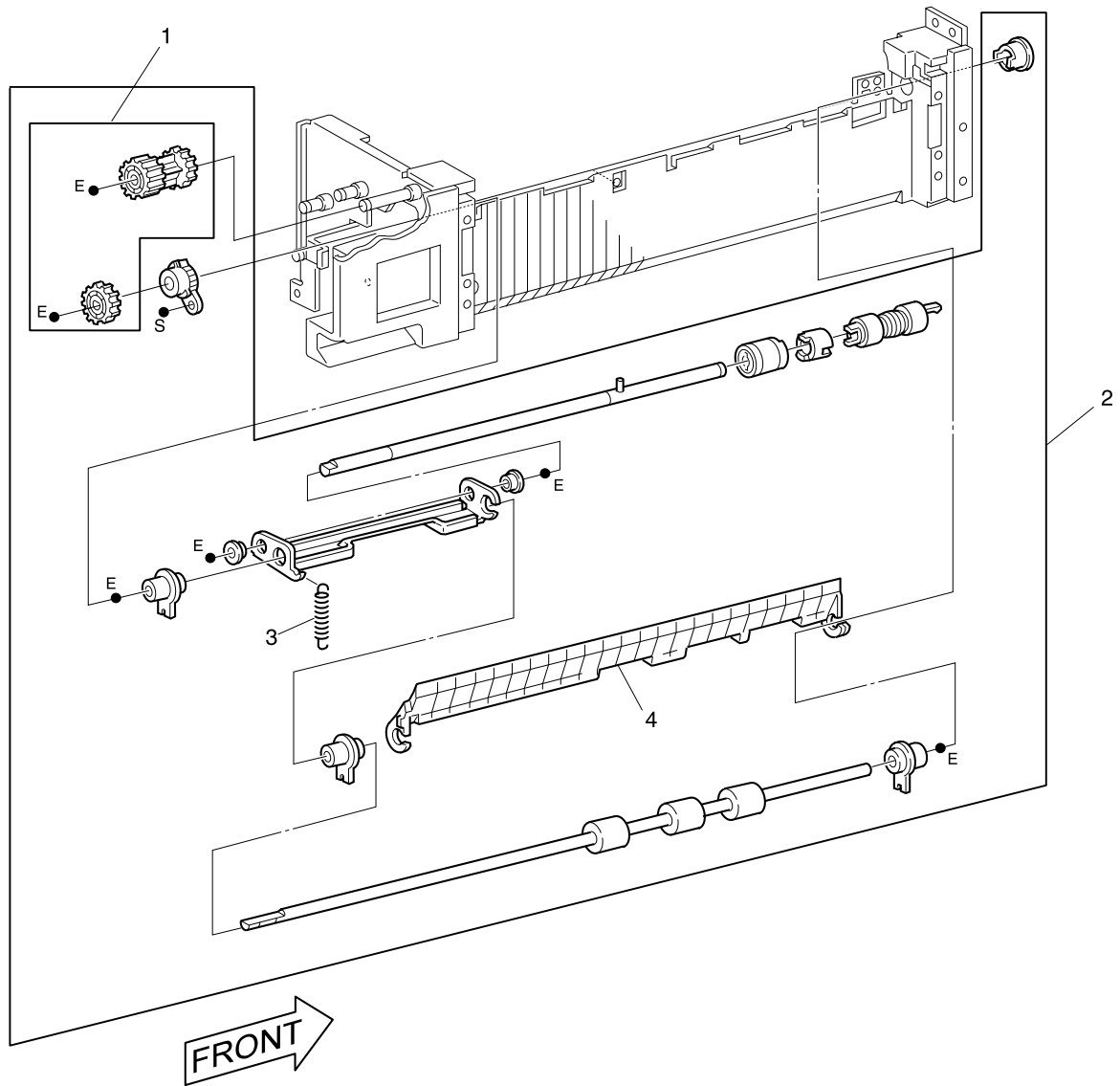
Assembly 7: Retard and Take Away - Tray 1



Assembly 7: Retard and Take Away - Tray 1

| Asm-Index | Part Number | Units | Description |
|------------------|--------------------|--------------|-----------------------------|
| 7-1 | 12G4034 | 1 | EXIT ASM, HIGH PAPER RETARD |
| -2 | 12G4033 | 1 | SPRING, EXTENSION |
| -3 | 12G4032 | 1 | GUIDE, PAPER FEED OUT |

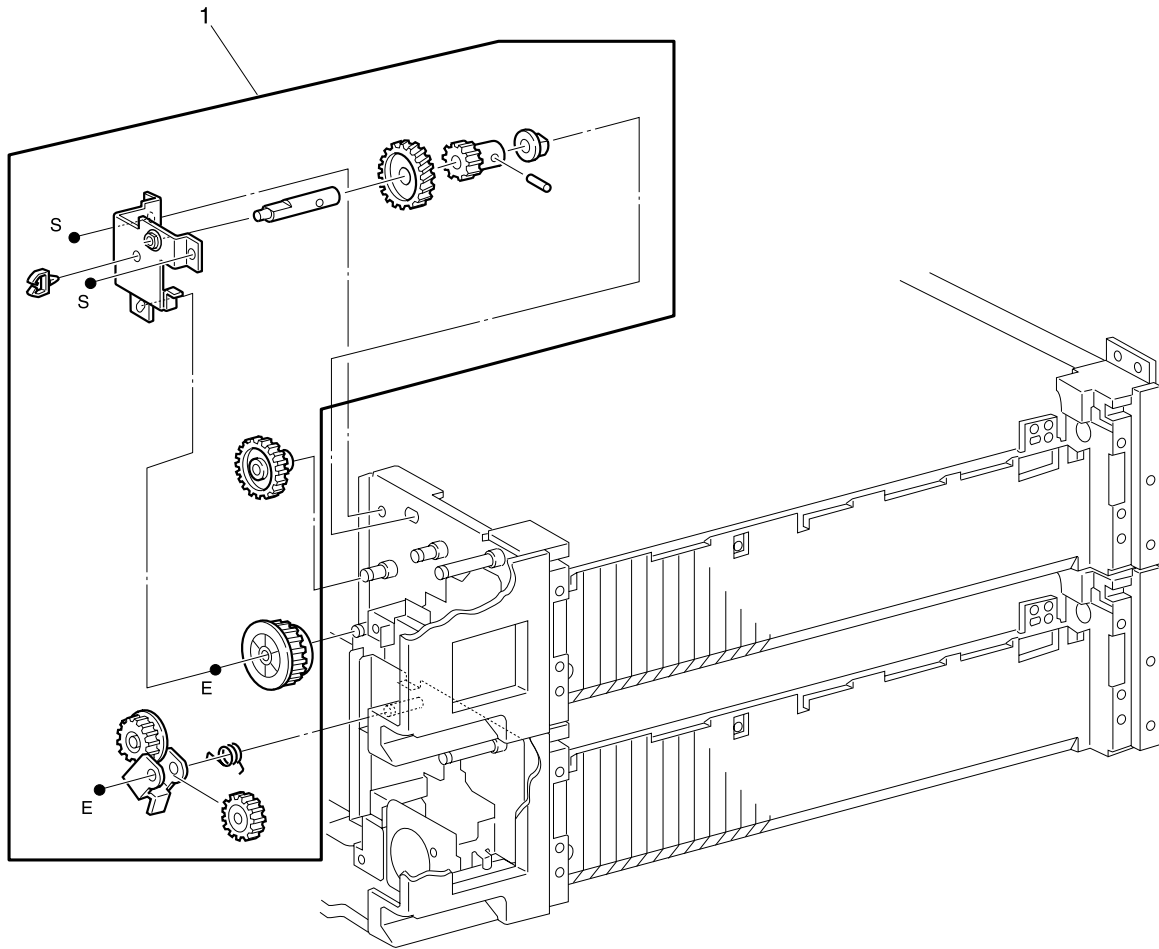
Assembly 8: Retard and Take Away - Tray 2



Assembly 8: Retard and Take Away - Tray 2

| Asm-Index | Part Number | Units | Description |
|------------------|--------------------|--------------|------------------------|
| 8-1 | 12G4040 | 1 | KIT, TRAY 2 EXIT GEAR |
| -2 | 12G4039 | 1 | EXIT ASM, TRAY 2 PAPER |
| -3 | 12G4033 | 1 | SPRING |
| -4 | 12G4038 | 1 | GUIDE, PAPER EXIT |

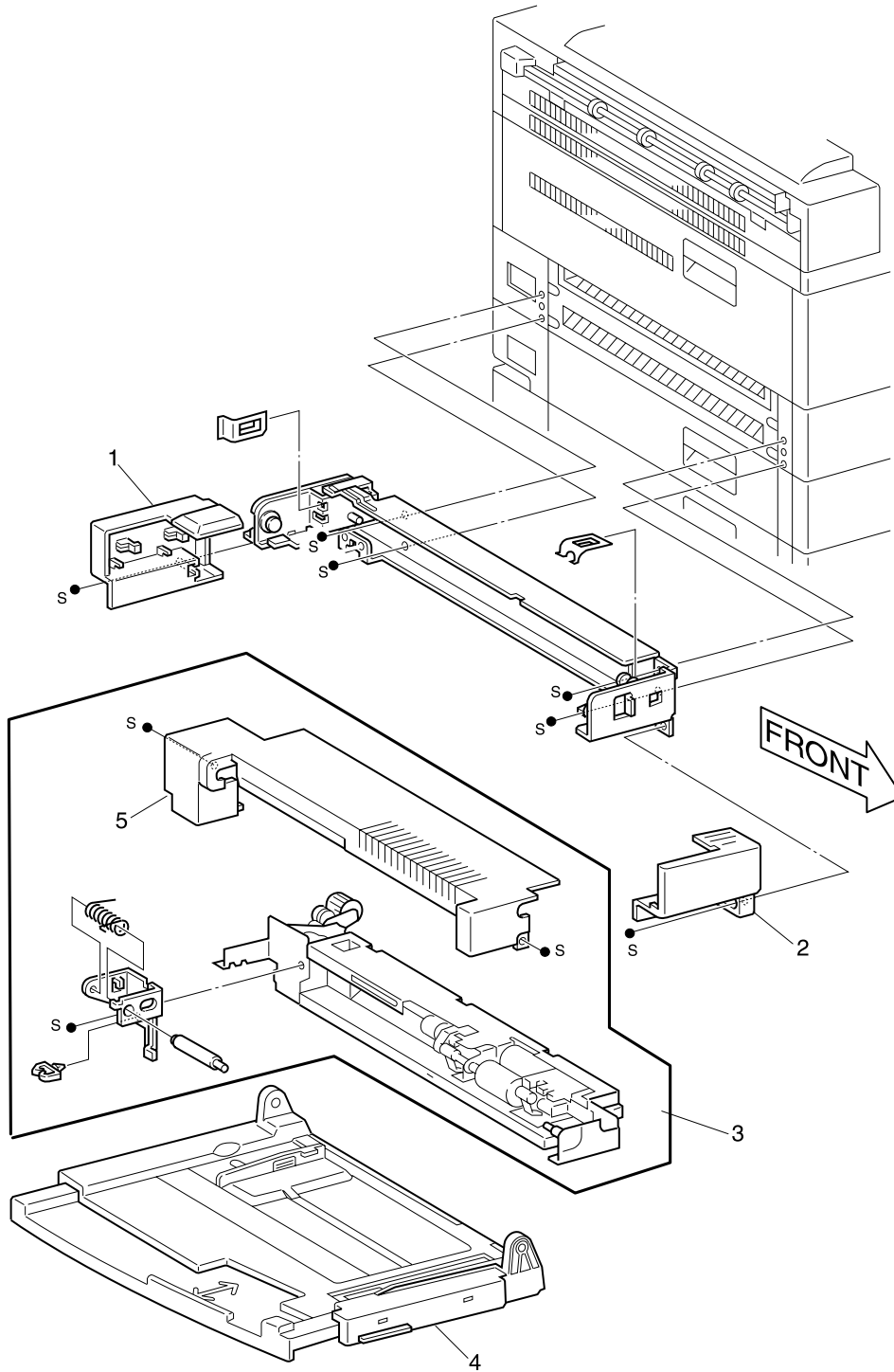
Assembly 9: Feed Drive Transmission



Assembly 9: Feed Drive Transmission

| Asm-Index | Part Number | Units | Description |
|------------------|--------------------|--------------|------------------------|
| 9-1 | 12G4041 | 1 | KIT, FEED DRIVE REPAIR |

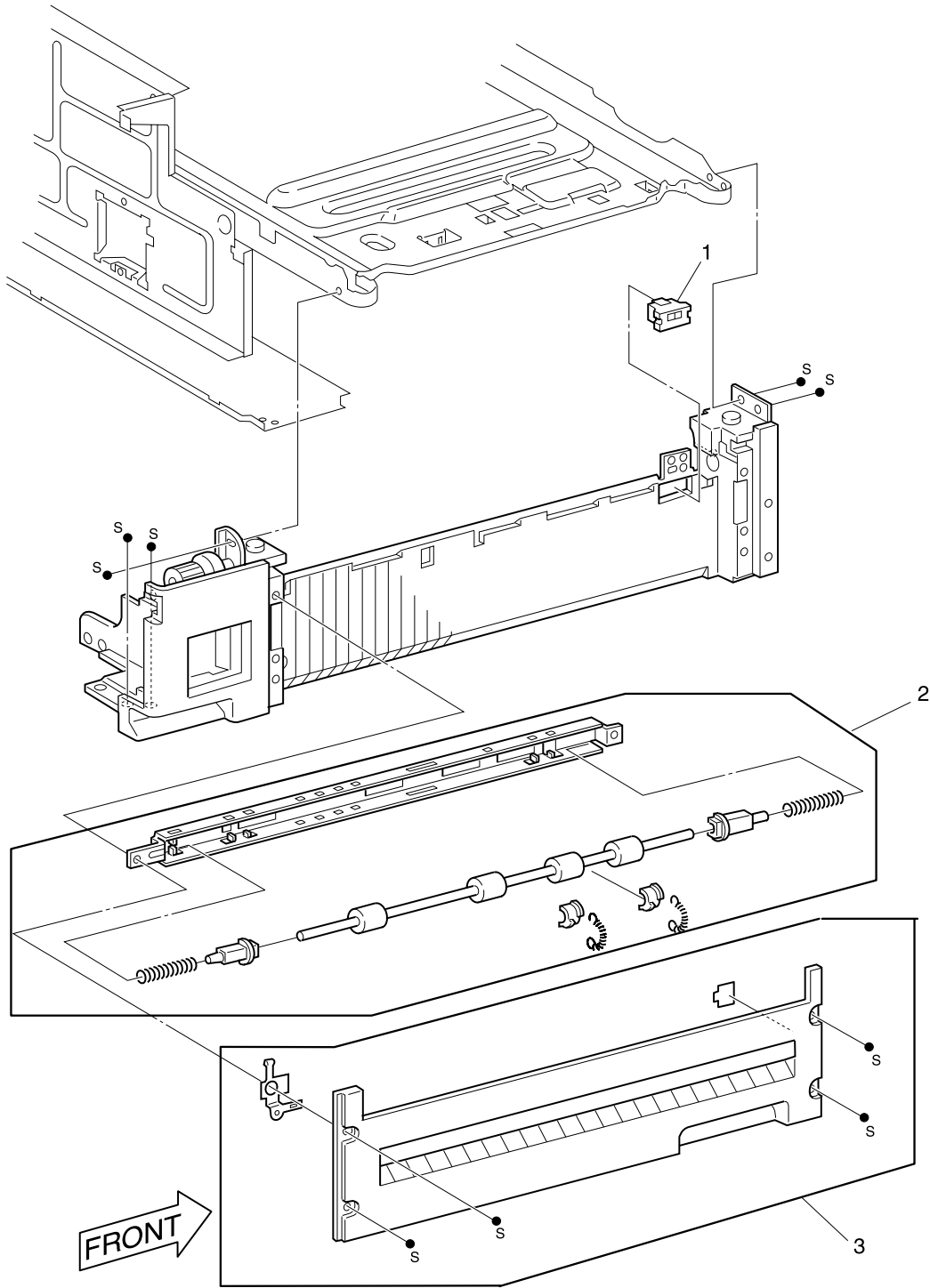
Assembly 10: Multi Purpose Feeder and MPF/Duplex Support



Assembly 10: Multi Purpose Feeder and MPF/Duplex Support

| Asm-Index | Part Number | Units | Description |
|------------------|--------------------|--------------|------------------------|
| 10-1 | 12G4043 | 1 | COVER, MP FEEDER REAR |
| -2 | 12G4042 | 1 | COVER, MP FEEDER FRONT |
| -3 | 12G4044 | 1 | FEEDER, MP FEEDER |
| -4 | 12G4046 | 1 | TRAY ASM, MP FEEDER |
| -5 | 12G4045 | 1 | COVER, MP FEEDER TOP |

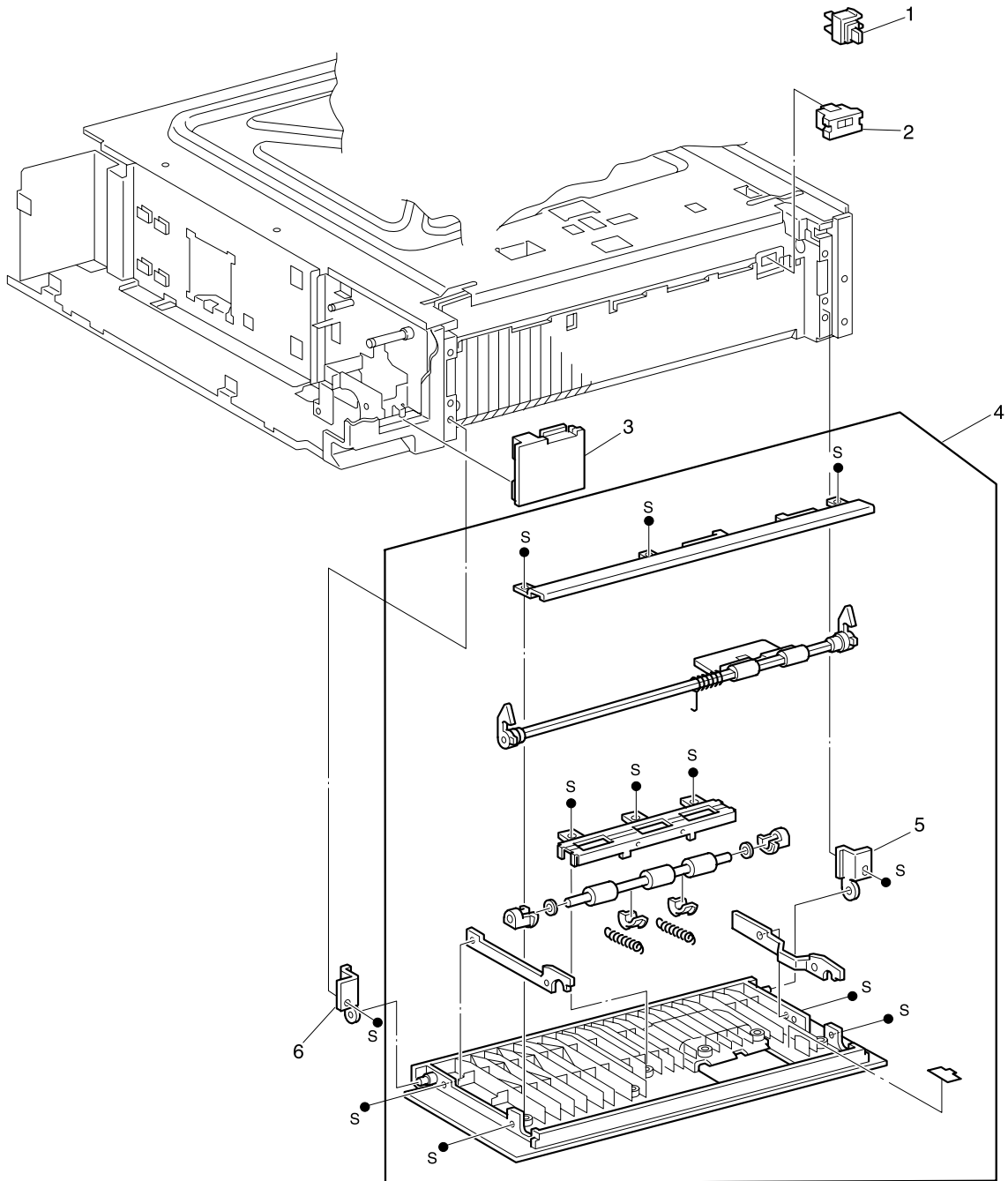
Assembly 11: Tray 1 Frame and Left Cover



Assembly 11: Tray 1 Frame and Left Cover

| Asm-Index | Part Number | Units | Description |
|------------------|--------------------|--------------|-------------------------------|
| 11-1 | 12G4049 | 1 | SENSOR, PHOTO |
| -2 | 12G4047 | 1 | ROLLER ASM, PINCH |
| -3 | 12G4048 | 1 | COVER ASM, PRINTER LOWER LEFT |

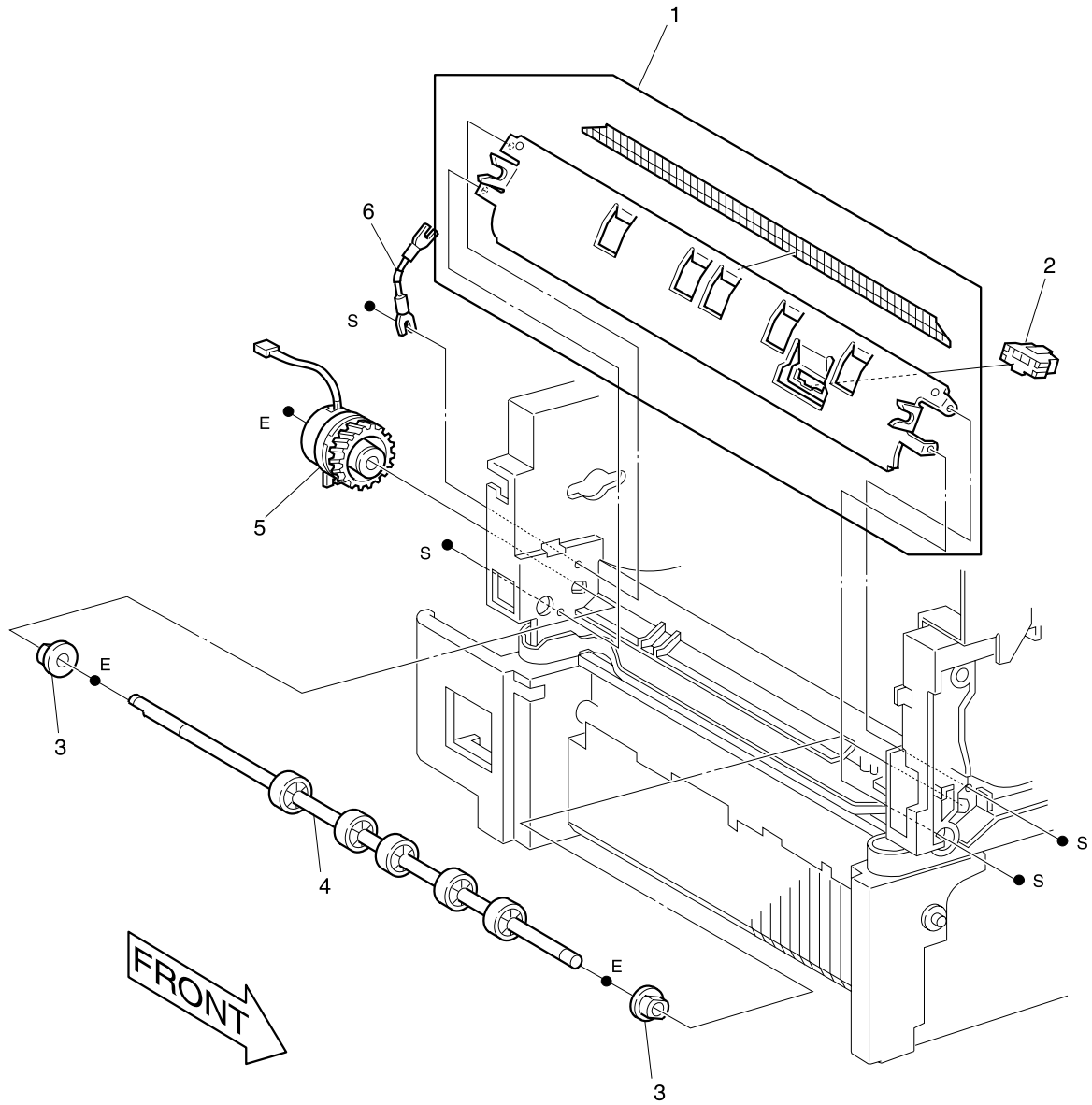
Assembly 12: Tray 2 Frame and Left Cover



Assembly 12: Tray 2 Frame and Left Cover

| Asm-Index | Part Number | Units | Description |
|------------------|--------------------|--------------|-------------------------|
| 12-1 | 12G4053 | 1 | SWITCH, INTERLOCK |
| -2 | 12G4049 | 1 | SENSOR |
| -3 | 12G4054 | 1 | COVER, CAP |
| -4 | 12G4050 | 1 | COVER ASM, PRINTER LEFT |
| -5 | 12G4051 | 1 | HINGE, COVER RH |
| -6 | 12G4052 | 1 | HINGE, COVER LH |

Assembly 13: Registration



Assembly 13: Registration

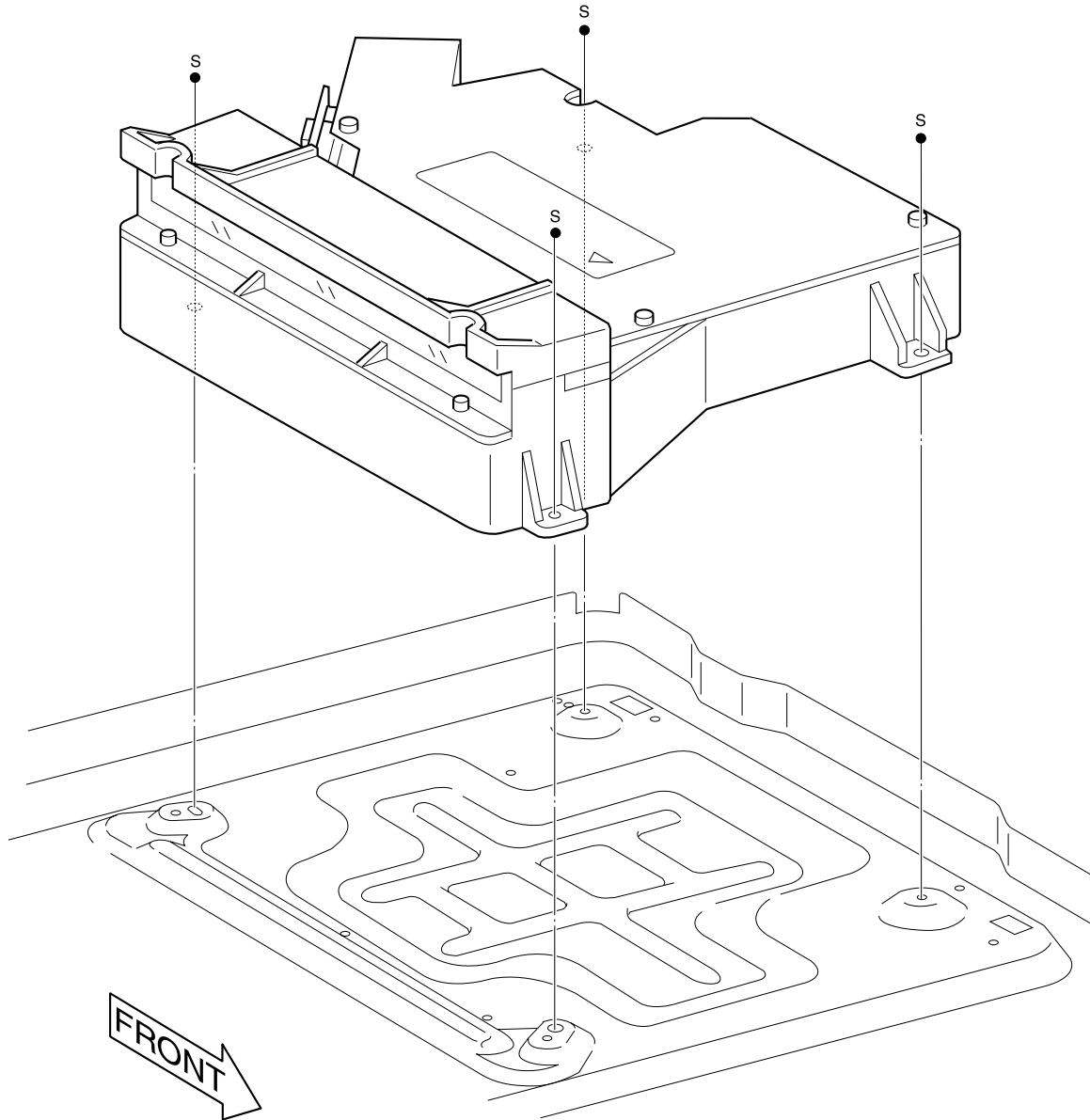
| Asm-Index | Part Number | Units | Description |
|------------------|--------------------|--------------|--------------------------|
| 13-1 | 12G4057 | 1 | GUIDE, REGISTRATION |
| -2 | 12G4049 | 1 | SENSOR |
| -3 | 12G4059 | 1 | KIT, BEARING |
| -4 | 12G4056 | 1 | ROLLER ASM, REGISTRATION |
| -5 | 12G4055 | 1 | CLUTCH ASM, REGISTRATION |
| -6 | 12G4058 | 1 | CABLE, REGISTRATION |

Assembly 14: Left Upper Cover Assembly

| Asm-Index | Part Number | Units | Description |
|------------------|--------------------|--------------|-------------------------------|
| 14-1 | 12G4060 | 1 | COVER ASM, PRINTER UPPER LEFT |

Assembly 15: Printhead Assembly

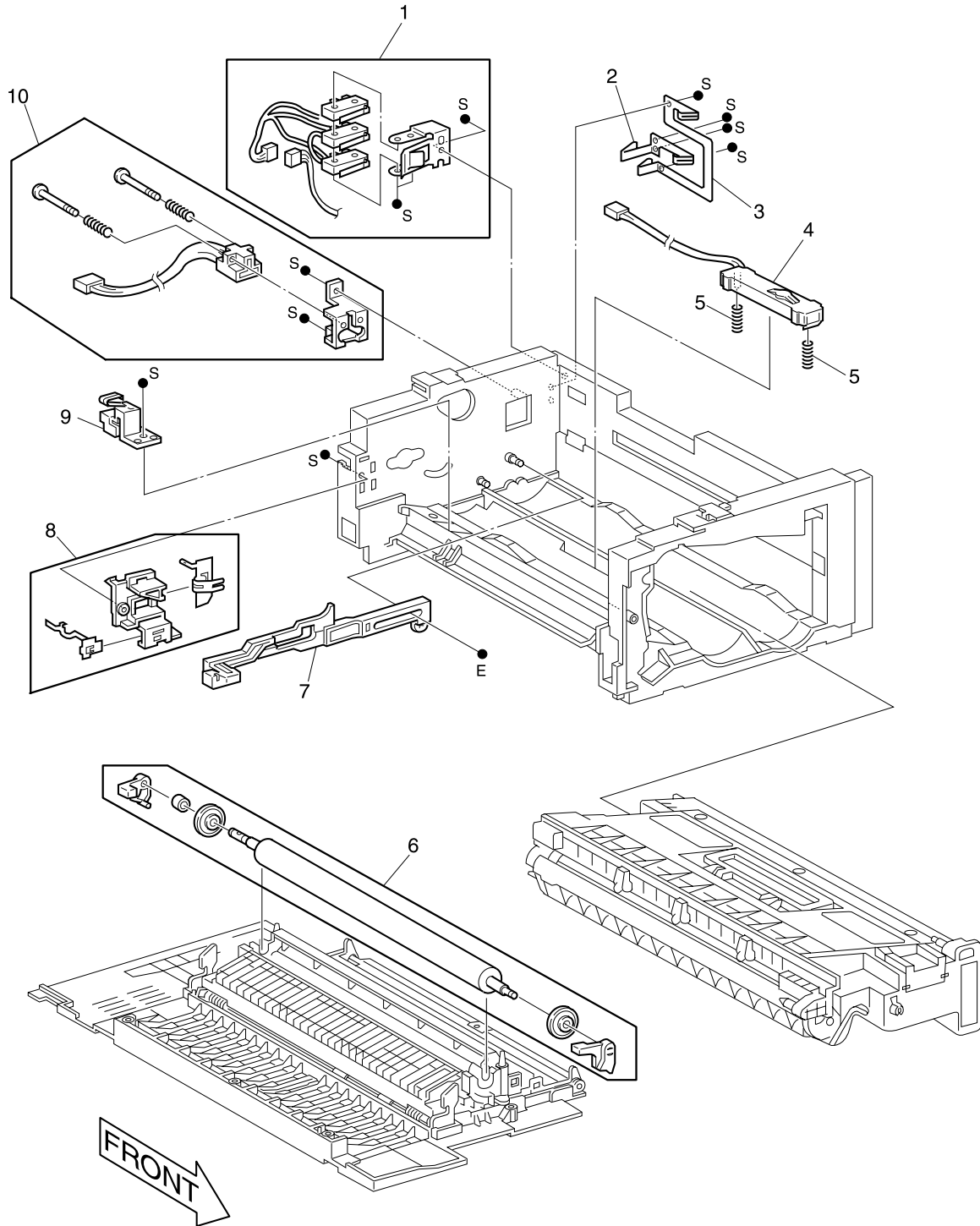
1



Assembly 15: Printhead Assembly

| Asm-Index | Part Number | Units | Description |
|------------------|--------------------|--------------|--------------------|
| 15-1 | 12G4061 | 1 | PRINthead |

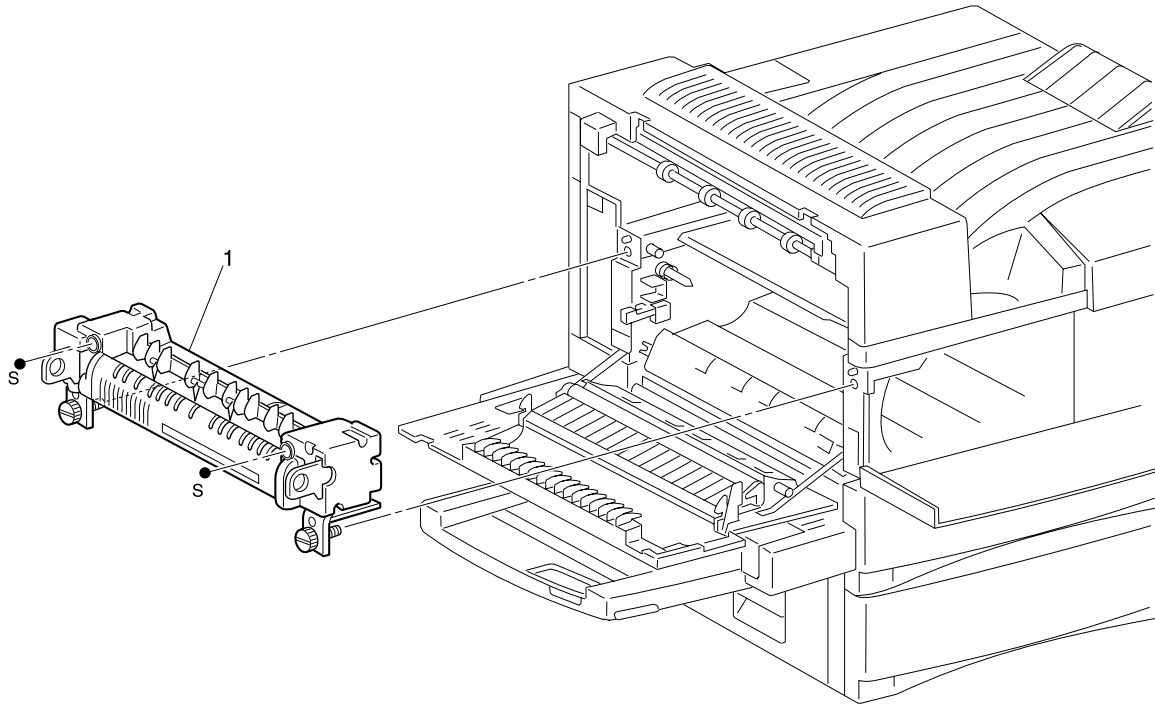
Assembly 16: Xerography and Development



Assembly 16: Xerography and Development

| Asm-Index | Part Number | Units | Description |
|------------------|--------------------|--------------|------------------------------|
| 16-1 | 12G4069 | 1 | SWITCH ASM, INTERLOCK |
| -2 | 12G4071 | 1 | PLATE, CONTACT D |
| -3 | 12G4070 | 1 | PLATE, CONTACT C |
| -4 | 12G4065 | 1 | SENSOR ASM, TONER |
| -5 | 12G4066 | 1 | SPRING, SENSOR |
| -6 | 12G4062 | 1 | ROLLER, TRANSFER |
| -7 | 12G4064 | 1 | SLIDER, EXIT |
| -8 | 12G4063 | 1 | CONTACT ASM, TRANSFER ROLLER |
| -9 | 12G4068 | 1 | BRACKET, CABLE |
| -10 | 12G4067 | 1 | CONTACT ASM, CARTRIDGE |

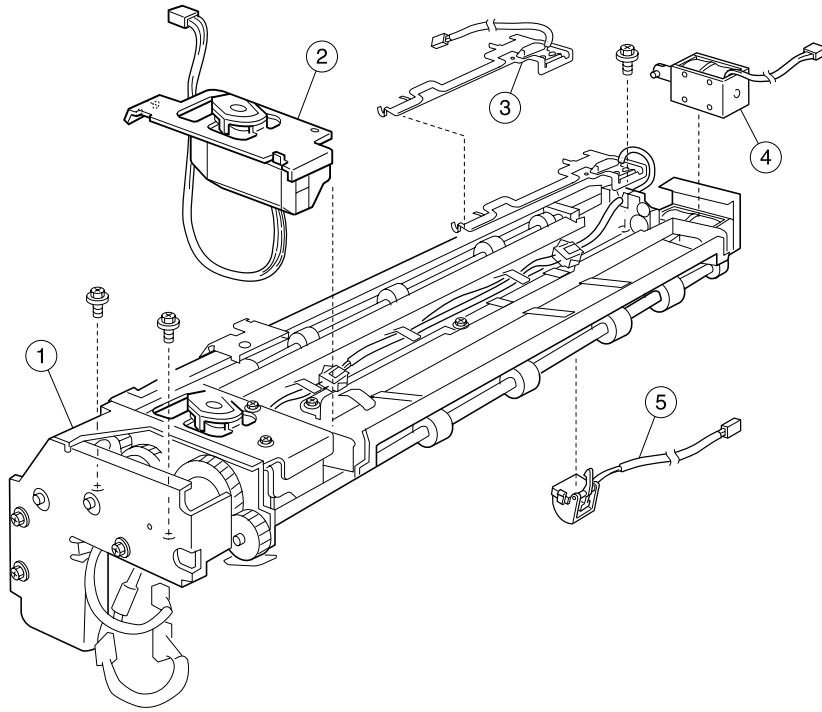
Assembly 17: Fuser Assembly



Assembly 17: Fuser Assembly

| Asm-Index | Part Number | Units | Description |
|------------------|--------------------|--------------|--------------------|
| 17-1 | 12G4184 | 1 | FUSER ASM, LV |
| -1 | 12G4185 | 1 | FUSER ASM, HV |

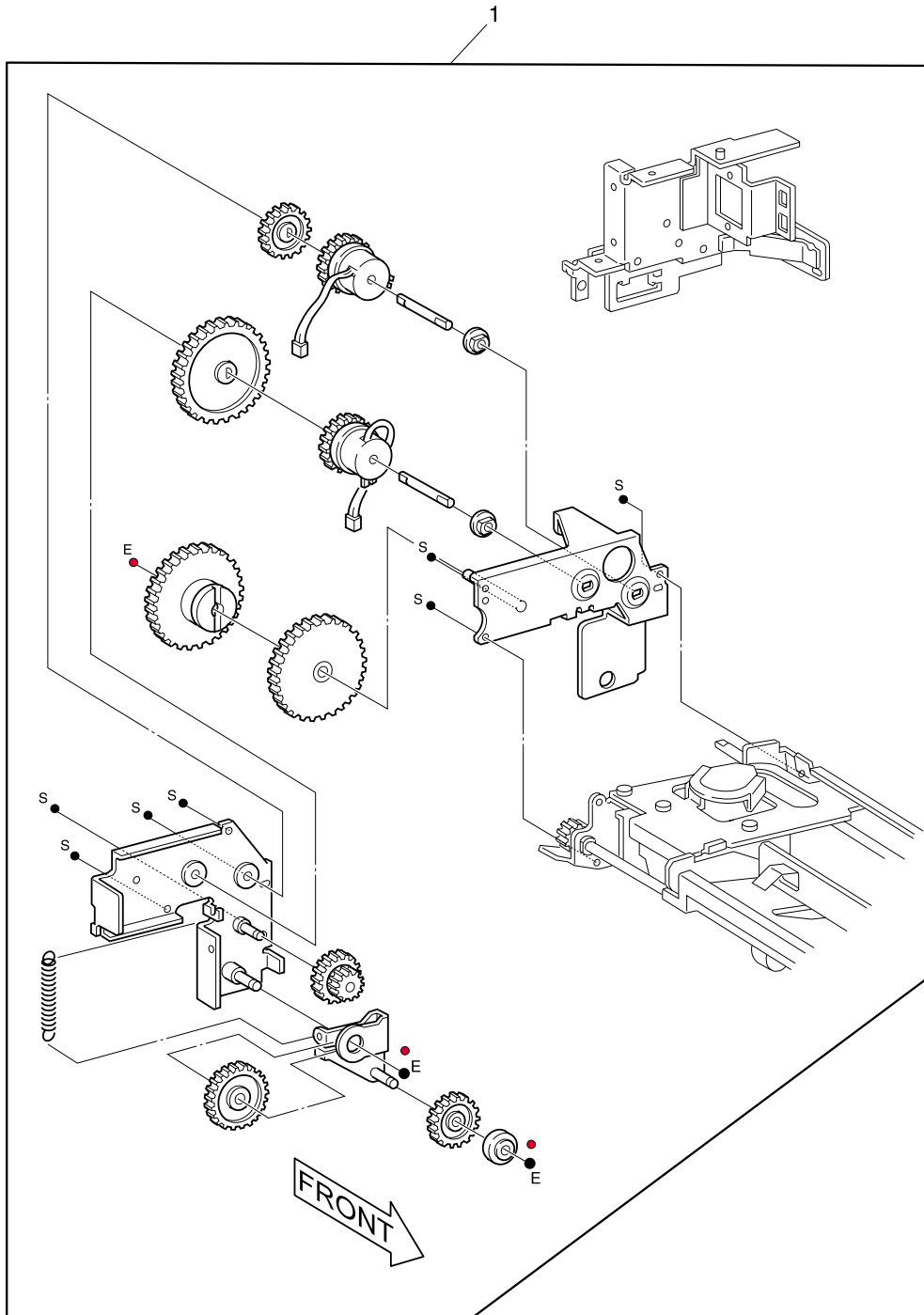
Assembly 18: Exit Lower Chute



Assembly 18: Exit Lower Chute

| Asm-Index | Part Number | Units | Description |
|------------------|--------------------|--------------|------------------------------------|
| 18-1 | 12G4072 | 1 | OFFSET / EXIT / TRANSPORT ASSEMBLY |
| -2 | 12G4074 | 1 | MOTOR ASM, OFFSET |
| -3 | 12G4076 | 1 | SENSOR ASM, EXIT LOWER |
| -4 | 12G4073 | 1 | SOLENOID ASM, EXIT LOWER |
| -5 | 12G4075 | 1 | SWITCH ASM, EXIT LOWER |

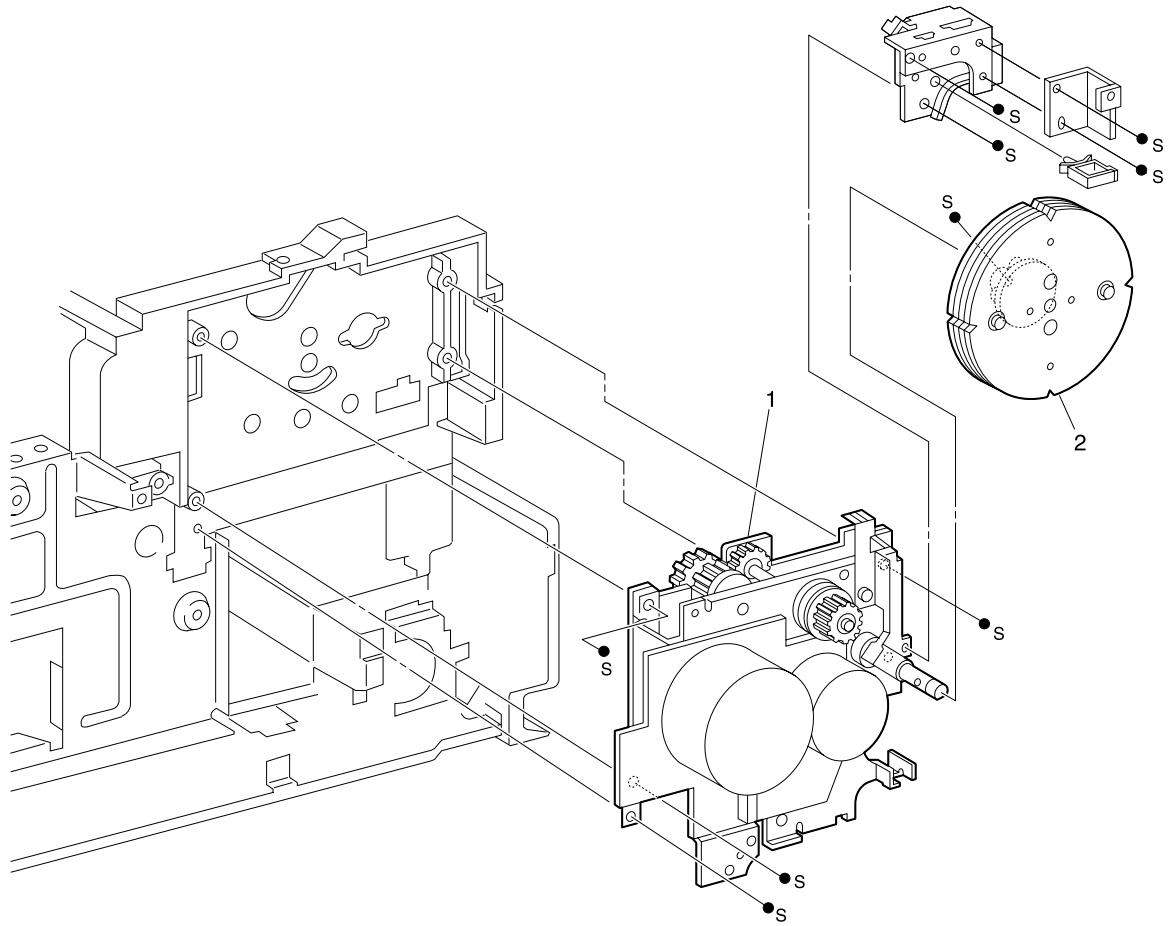
Assembly 19: Exit Drive Assembly



Assembly 19: Exit Drive Assembly

| Asm-Index | Part Number | Units | Description |
|------------------|--------------------|--------------|--------------------|
| 19-1 | 12G4077 | 1 | DRIVE ASM, EXIT |

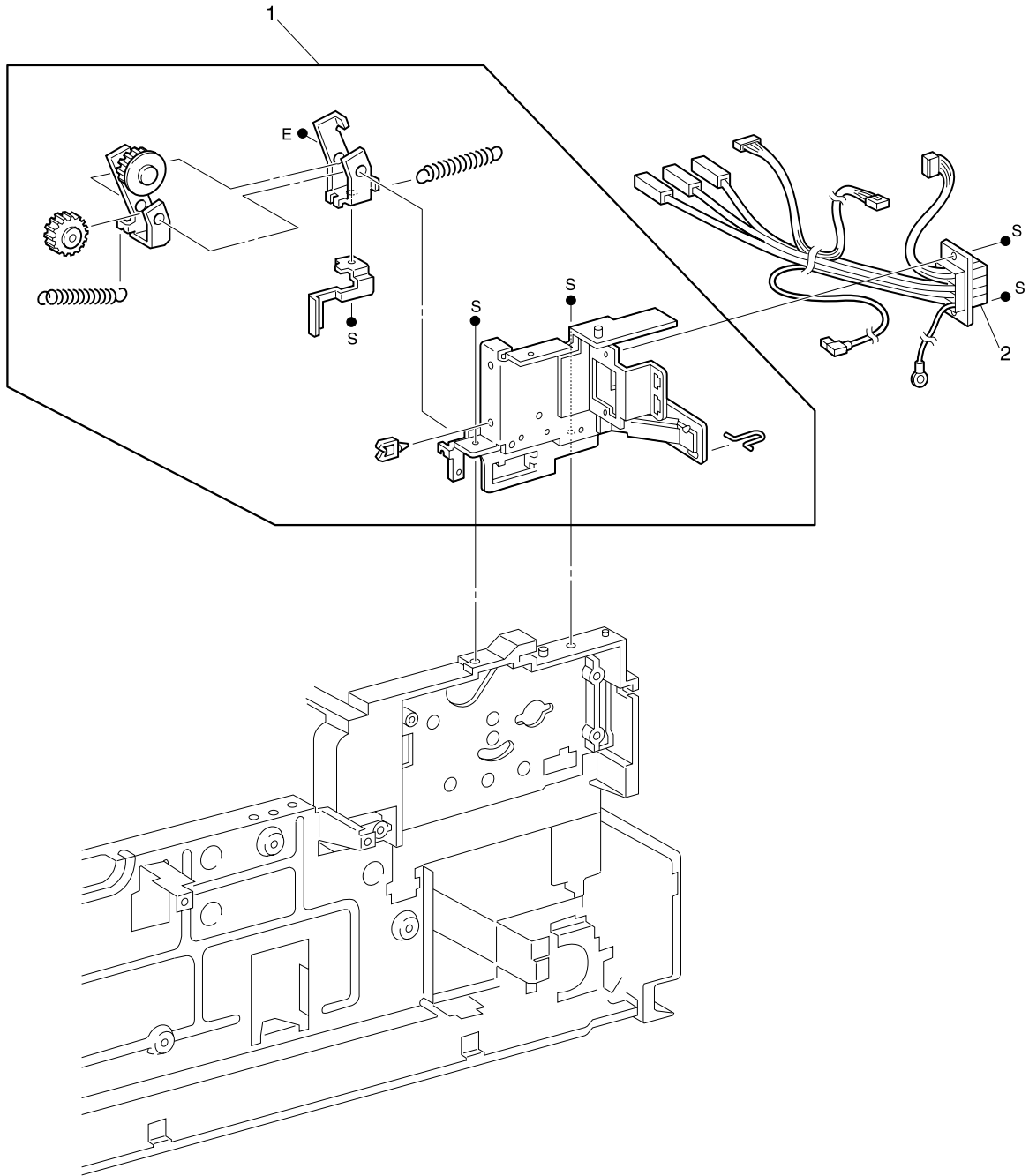
Assembly 20: Main Drive Assembly



Assembly 20: Main Drive Assembly

| Asm-Index | Part Number | Units | Description |
|------------------|--------------------|--------------|--------------------------|
| 20-1 | 12G4078 | 1 | DRIVE ASM, MAIN |
| -2 | 12G4079 | 1 | FLYWHEEL, MAIN DRIVE ASM |

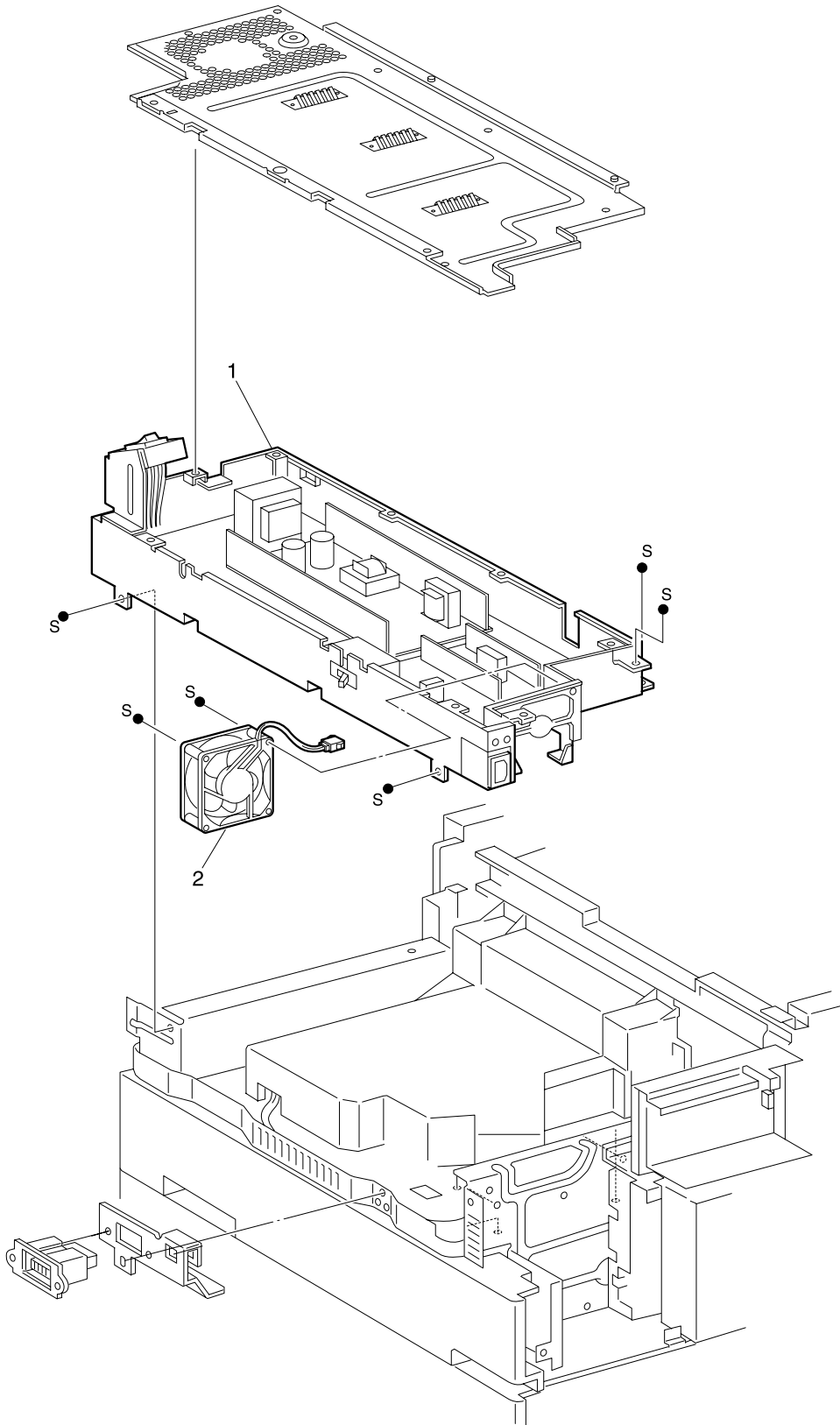
Assembly 21: Fuser Drive Assembly



Assembly 21: Fuser Drive Assembly

| Asm-Index | Part Number | Units | Description |
|------------------|--------------------|--------------|------------------------|
| 21-1 | 12G4080 | 1 | FRAME ASM, FUSER EXIT |
| -2 | 12G4081 | 1 | CONNECTOR, FUSER DRIVE |

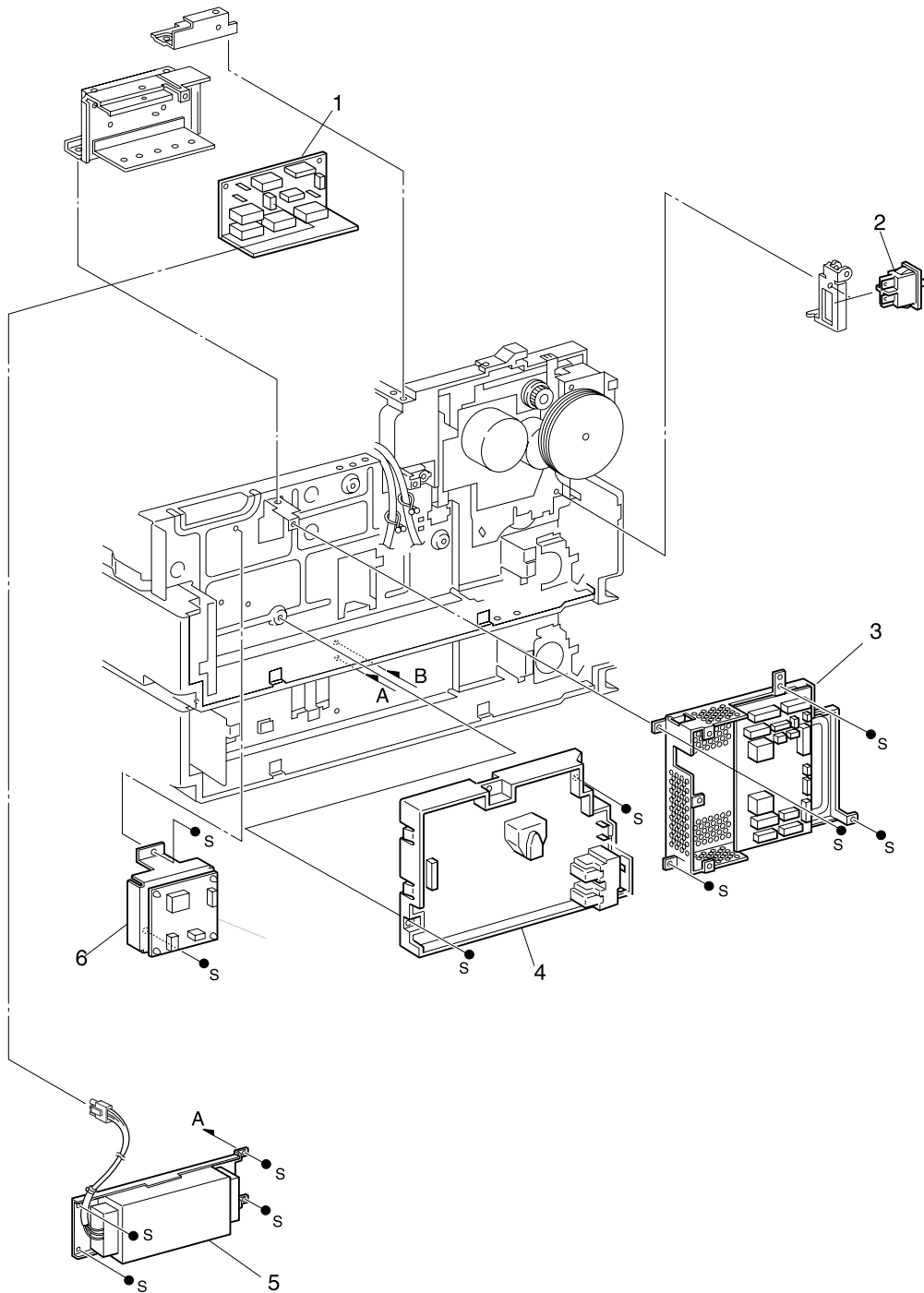
Assembly 22: Power Unit



Assembly 22: Power Unit

| Asm-Index | Part Number | Units | Description |
|------------------|--------------------|--------------|--|
| 22-1 | 12G4082 | 1 | PWR SUPPLY, 110V |
| -1 | 12G4083 | 1 | PWR SUPPLY, 220V |
| -2 | 12G4084 | 1 | FAN, POWER UNIT |
| NS | 11A9095 | 1 | POWER CORD LV, U.S., Canada, Australia/New Zealand, Columbia, Costa Rica, Dominican Republic, Ecuador, El Salvador, Guatemala, Honduras, Mexico, Nicaragua, Panama, Peru, Venezuela, Puerto Rico, US Virgin Islands, Caribbean countries other than Dominican Republic |
| NS | 1339518 | 1 | POWER CORD HV, Argentina |
| NS | 1339517 | 1 | POWER CORD HV, Peru, Bolivia |
| NS | 1339524 | 1 | POWER CORD HV, Chile |
| NS | 1339528 | 1 | POWER CORD HV, UK, Ireland, Gulf Countries |
| NS | 1339529 | 1 | POWER CORD HV, Austria, Germany, Belgium, Cyprus, Euro English, Finland, Greece, France, Hungary, Czech, Slovak, Netherlands, Norway, Portugal, Turkey, Russia, Poland, Spain, Catalan, Sweden, |
| NS | 1339530 | 1 | POWER CORD HV, Israel |
| NS | 1339531 | 1 | POWER CORD HV, Switzerland-French, Switzerland-German, Switzerland-Italian |
| NS | 1339532 | 1 | POWER CORD HV, Africa |
| NS | 1339520 | 1 | POWER CORD HV, Brazil |
| NS | 1339533 | 1 | POWER CORD HV, Italy |
| NS | 1339534 | 1 | POWER CORD HV, Denmark |

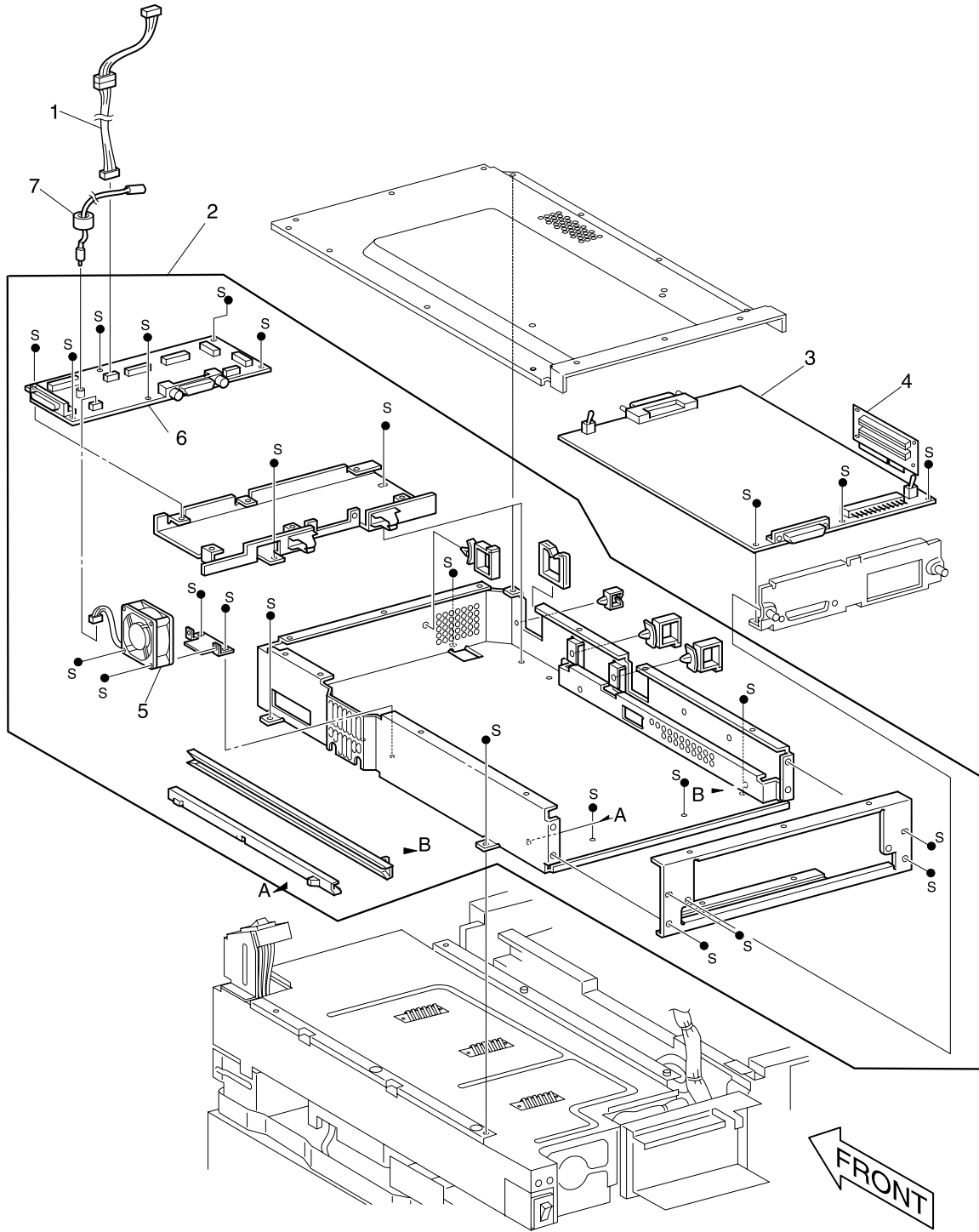
Assembly 23: HVPS and I/O PWB



Assembly 23: HVPS and I/O PWB

| Asm-Index | Part Number | Units | Description |
|------------------|--------------------|--------------|---------------------------------|
| 23-1 | 12G4085 | 1 | CARD ASM, AC DRIVER, 110V |
| -1 | 12G4086 | 1 | CARD ASM, AC DRIVER, 220V |
| -2 | 12G4089 | 1 | SWITCH, INTERLOCK |
| -3 | 12G4088 | 1 | CARD ASM, I/O |
| -4 | 12G4087 | 1 | HVPS |
| -5 | 12G4090 | 1 | TRANSFORMER, 220 V MACHINE ONLY |
| -6 | 12G4376 | 1 | PSLV-R2 POWER SUPPLY |

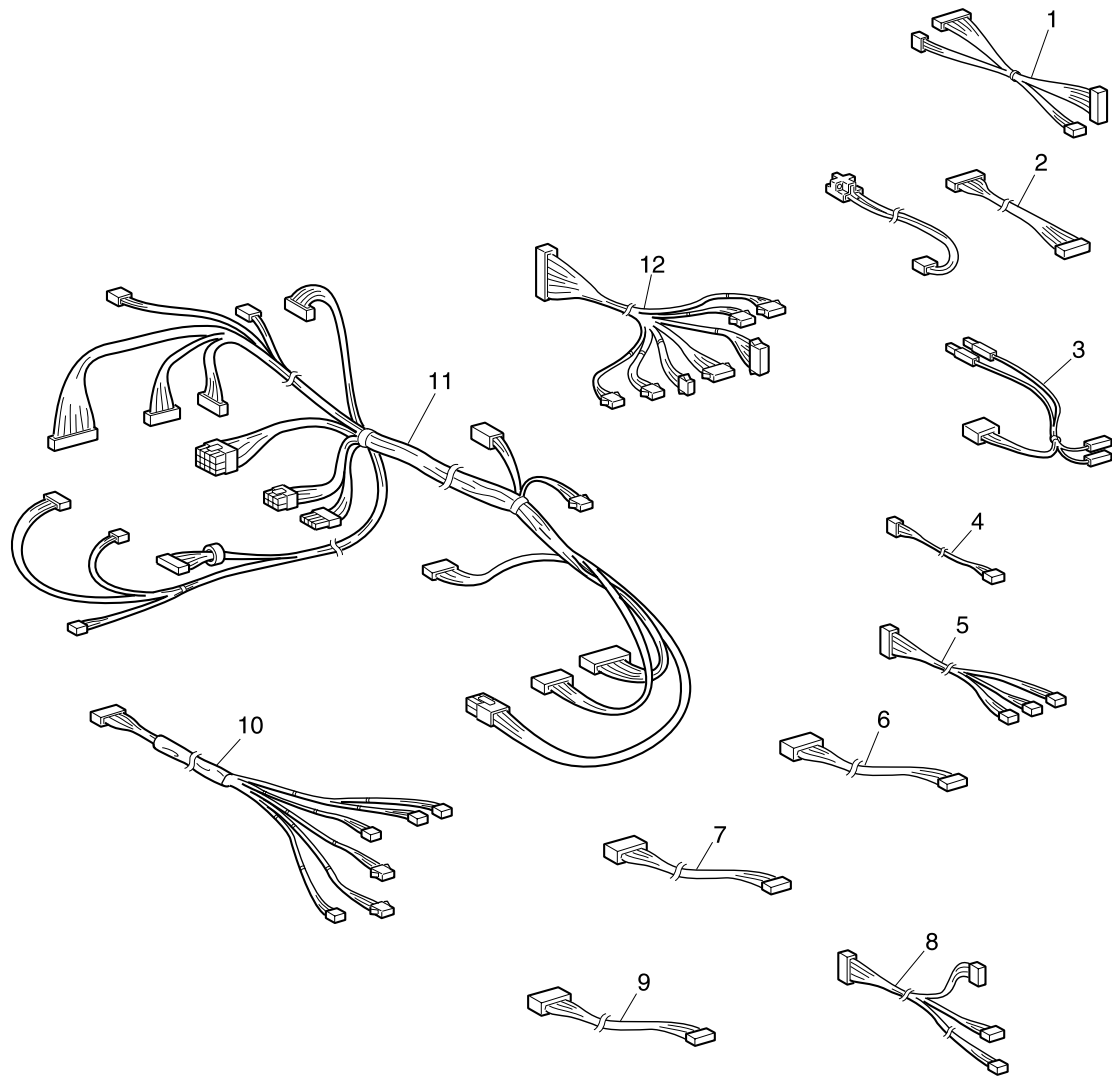
Assembly 24: ESS Assembly



Assembly 24: ESS Assembly

| Asm-Index | Part Number | Units | Description |
|-----------|-------------|-------|--|
| 24-1 | 12G4096 | 1 | CABLE ASM, OP PANEL |
| -2 | 12G4091 | 1 | CONTROLLER, BOX ASSEMBLY Note: Factory defaults must be reset after you replace the engine board (MCU PWB) contained in this B/M. Go to "PRINTER SETUP" on page 3-5 |
| -3 | 56P2711 | 1 | BOARD ASM, CONTROLLER (ESS PWB), NETWORK (W820, X820E) |
| -3 | 56P2710 | 1 | BOARD ASM, CONTROLLER (ESS PWB), NON NETWORK (W820) |
| -3 | 56P2723 | 1 | BOARD ASM, CONTROLLER (ESS PWB), NETWORK (X830E) |
| -3 | 56P2724 | 1 | BOARD ASM, CONTROLLER (ESS PWB), NETWORK (X832E) |
| -4 | 12G4187 | 1 | CARD ASM, RISER CARD |
| -5 | 12G4095 | 1 | FAN, ESS COOLING |
| -6 | 12G4092 | 1 | BOARD ASM, ENGINE (MCU PWB) 120V (W820, X820E) |
| -6 | 12G4379 | 1 | BOARD ASM, ENGINE (MCU PWB) 220V (W820, X820E) |
| -6 | 56P2720 | 1 | BOARD ASM, ENGINE (MCU PWB) 120V (X830E) |
| -6 | 56P2719 | 1 | BOARD ASM, ENGINE (MCU PWB) 220V (X830E) |
| -6 | 56P2722 | 1 | BOARD ASM, ENGINE (MCU PWB) 120V (X832E) |
| -6 | 56P2721 | 1 | BOARD ASM, ENGINE (MCU PWB) 220V (X832E) |
| -7 | 12G4377 | 1 | CABLE, PRINTHEAD |

Assembly 25: Harness



Assembly 25: Harness

| Asm-Index | Part Number | Units | Description |
|------------------|--------------------|--------------|-------------------------|
| 25-1 | 12G4108 | 1 | CABLE ASM, HVPS |
| -2 | 12G4107 | 1 | CABLE ASM, MOTOR |
| -3 | 12G4105 | 1 | CABLE ASM, INTERLOCK |
| -4 | 12G4104 | 1 | CABLE ASM, PAPER SIZE |
| -5 | 12G4103 | 1 | CABLE ASM, REGISTRATION |
| -6 | 12G4102 | 1 | CABLE ASM, OUTPUT |
| -7 | 12G4101 | 1 | CABLE ASM, DUPLEX |
| -8 | 12G4100 | 1 | CABLE ASM, BOTTOM |
| -9 | 12G4099 | 1 | CABLE ASM, TRAY |
| -10 | 12G4098 | 1 | CABLE ASM, TRAY 1 REAR |
| -11 | 12G4097 | 1 | CABLE ASM, MAIN |
| -12 | 12G4106 | 1 | CABLE ASM, DC REAR |

Assembly 26: Miscellaneous

| Asm-Index | Part Number | Units | Description |
|------------------|--------------------|--------------|---|
| 26 | 12G4375 | 1 | SCREW PARTS PACK |
| 26 | 12G4368 | 1 | KIT CLAMP |
| 26 | 12G4369 | 1 | KIT E CLIP |
| 26 | 12G4370 | 1 | KIT REPACK, PRINTER |
| 26 | 12G4371 | 1 | KIT REPACK, ENVELOPE FEEDER |
| 26 | 12G4372 | 1 | KIT REPACK, DUPLEX UNIT |
| 26 | 12G4373 | 1 | KIT REPACK, HCF |
| 26 | 12G4374 | 1 | KIT REPACK, FINISHER |
| 26 | 99A1752 | 1 | 4 MB MEMORY |
| 26 | 99A1753 | 1 | 8 MB MEMORY |
| 26 | 99A1754 | 1 | 16 MB MEMORY |
| 26 | 99A1755 | 1 | 32 MB MEMORY |
| 26 | 99A1756 | 1 | 64 MB MEMORY |
| 26 | 99A1773 | 1 | 128 MB MEMORY |
| 26 | 99A1757 | 1 | 2 MB MEMORY, FLASH MEMORY |
| 26 | 99A1758 | 1 | 4 MB MEMORY, FLASH MEMORY |
| 26 | 99A1759 | 1 | 8 MB MEMORY, FLASH MEMORY |
| 26 | 99A1774 | 1 | 16 MB MEMORY, FLASH MEMORY |
| 26 | 99A0459 | 1 | 3.2 GB ISP HARD DISK (install in top slot only) |
| 26 | 12G1697 | 1 | TOKEN-RING |
| 26 | 12G1695 | 1 | ETHERNET 10/100BASE-TX |
| 26 | 12G1696 | 1 | ETHERNET 10BASE-T/2 |
| 26 | 12G1830 | 1 | TOKEN-RING - 3 PORT |
| 26 | 12G1831 | 1 | 10/100 BASE TX - 3 PORT |
| 26 | 12G1832 | 1 | 10 BASE T/2 - 1 PORT |
| 26 | 12G1833 | 1 | 10/100 BASE TX - 1 PORT |
| 26 | 99A0560 | 1 | TRI-PORT ADAPTER |
| 26 | 56P1806 | 1 | KIT ASM, OPERATOR PANEL COVER (X820E, X830E, X832E) |

Assembly 26: Miscellaneous

| Asm-Index | Part Number | Units | Description |
|------------------|--------------------|--------------|-------------------------------------|
| 26 | 99A0424 | 1 | INFRARED ADAPTER |
| 26 | 99A0467 | 1 | PARALLEL 1284-C ADAPTER |
| 26 | 99A0545 | 1 | EXTERNAL SERIAL TO PARALLEL ADAPTER |
| 26 | 99A0923 | 1 | USB ADAPTER |
| 26 | 99A0629 | 1 | COAX/TWINAX ADAPTER FOR SCS |
| 26 | 99A1683 | 1 | OPTRA FORMS™ 2MB FLASH DIMM |
| 26 | 99A1684 | 1 | OPTRA FORMS™ 4MB FLASH DIMM |
| 26 | 99A1685 | 1 | OPTRA FORMS™ 8MB FLASH DIMM |
| 26 | 99A1686 | 1 | OPTRA FORMS™ 16MB FLASH DIMM |
| 26 | 56P3836 | 1 | W820 / X83XE IPDS |
| 26 | 56P3140 | 1 | PRINT CRYPTION |
| 26 | 56P3141 | 1 | BAR CODE |
| 26 | 56P3300 | 1 | PRESCRIBE |
| 26 | 56p3301 | 1 | IMAGEQUICK™ |