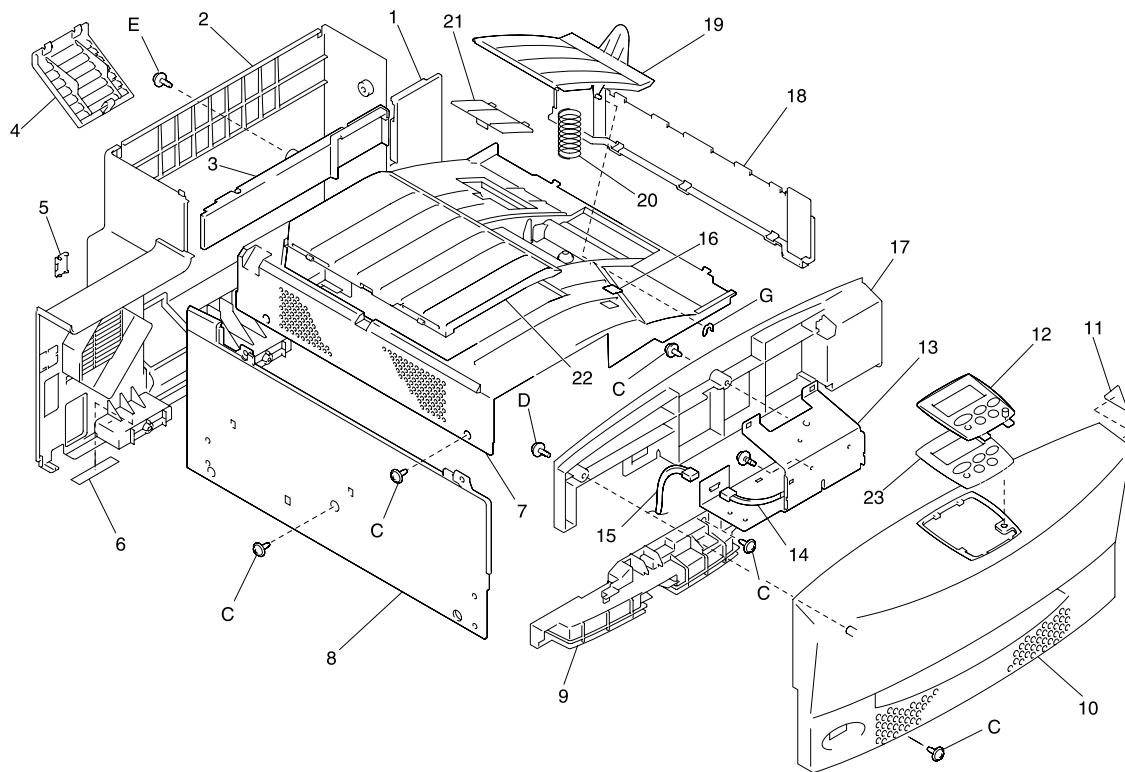


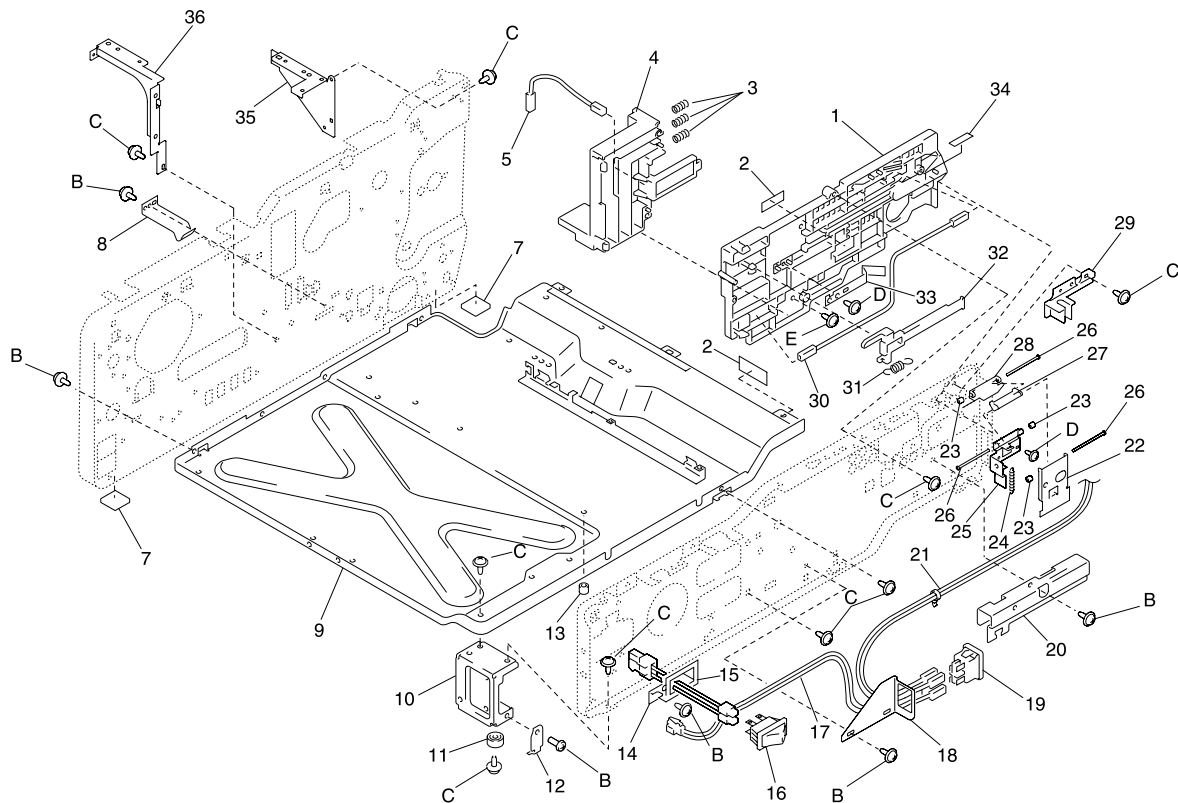
# Assembly 1: Printer Housing



## Assembly 1: Printer Housing

Ref	Part Number	Units	Description
1-1	12G2001	1	Cover
-2	12G2002	1	Rear Cover
-3	12G2003	1	Cover
-4	12G2004	1	Cover
-5	12G2005	1	Cover
-6	12G2006	2	Seal
-7	12G2007	1	Top Cover
-8	12G2008	1	Right Cover
-9	12G2009	1	Handle
-10	12G2010	1	Front Cover
-11	12G2011	1	Label
-12	12G2012	1	Cover
-13	12G2013	1	Shield Plate
-14	12G2014	1	Harness
-15	12G2015	1	Harness
-16	12G2016	1	Seal
-17	12G2017	1	Cover
-18	12G2018	1	Cover
-19	12G2019	1	Tray
-20	12G2020	1	Pressure Spring
-21	12G2021	1	Cover
-22	12G2022	1	Cover
-23	12G3520	1	Operator Control Panel
-C		1	Parts Packet 3, PN 12G3402
-D		1	Parts Packet 4, PN 12G3403
-E		1	Parts Packet 5, PN 12G3404
-G		1	Parts Packet 7, PN 12G3406

## Assembly 2: Printer Frames (A)



## Assembly 2: Printer Frames (A)

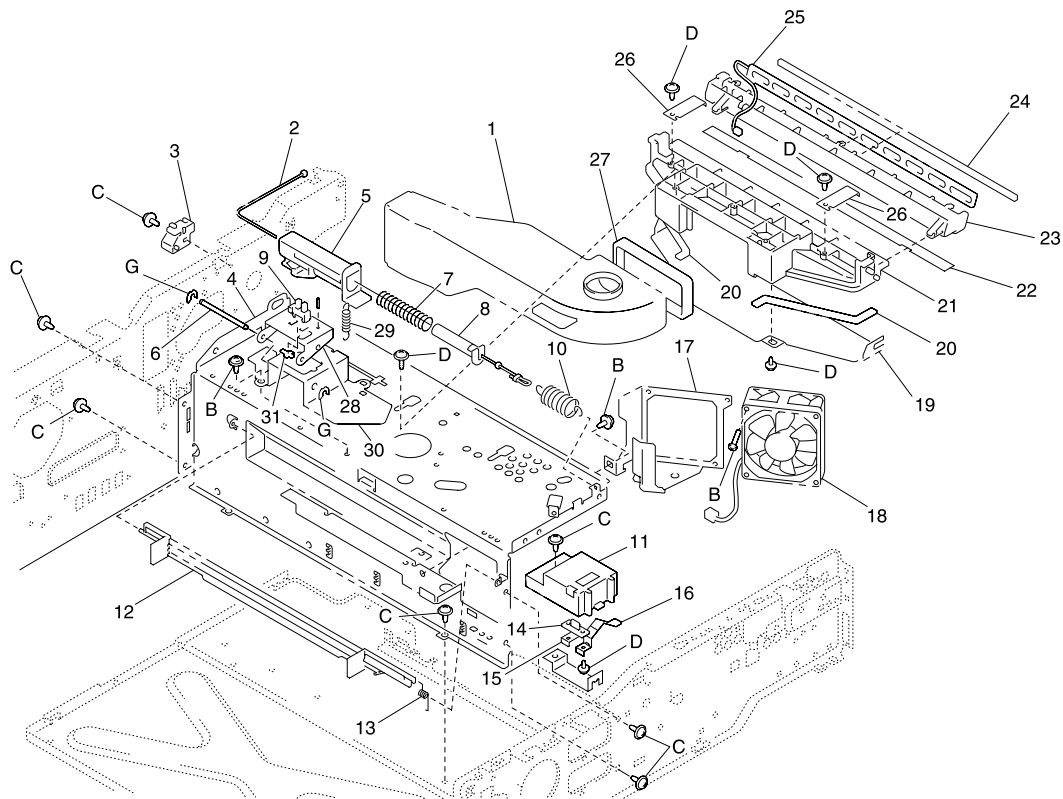
Ref	Part Number	Units	Description
2-1	12G2031	1	Holder Asm
-2	12G2032	2	Label High Voltage
-3	12G2033	3	Pressure Spring
-4	12G2034	1	Holder Asm
-5	12G2035	1	Harness
-7	12G2037	2	Rubber Foot
-8	12G2038	1	Plate Spring
-9	12G2039	1	Base Frame
-10	12G2040	1	Frame
-11	12G2041	1	Rubber Foot
-12	12G2042	4	Holder
-13	12G2043	1	Collar
-14	12G2044	1	Bracket
-15	12G2045	1	Harness
-16	12G2046	1	Switch, Power, S1 Main SW
-17	12G2047	1	Harness
-18	12G2048	1	Bracket
-19	12G2049	1	Switch, SW# Interlock S3 Right Side Door
-20	12G2050	1	Guide Plate
-21	12G2051	1	Harness
-22	12G2052	1	Lever
-23	12G2053	3	Retaining Ring
-24	12G2054	1	Tension Spring
-25	12G2055	1	Bracket
-26	12G2056	3	Shaft
-27	12G2057	1	Joint
-28	12G2058	1	Lever
-29	12G2059	1	Guide
-30	12G2060	1	Harness
-31	12G2061	1	Tension Spring
-32	12G2062	1	Lever
-33	12G2063	1	Plate Spring



**Assembly 2 (cont.): Printer Frames (A)**

<b>Ref</b>	<b>Part Number</b>	<b>Units</b>	<b>Description</b>
2-34	12G2064	1	Label
-35	12G2065	1	Bracket
-36	12G2066	1	Bracket
-B		1	Parts Packet 2, PN 12G3401
-C		1	Parts Packet 3, PN 12G3402
-D		1	Parts Packet 4, PN 12G3403
-E		1	Parts Packet 5, PN 12G3404

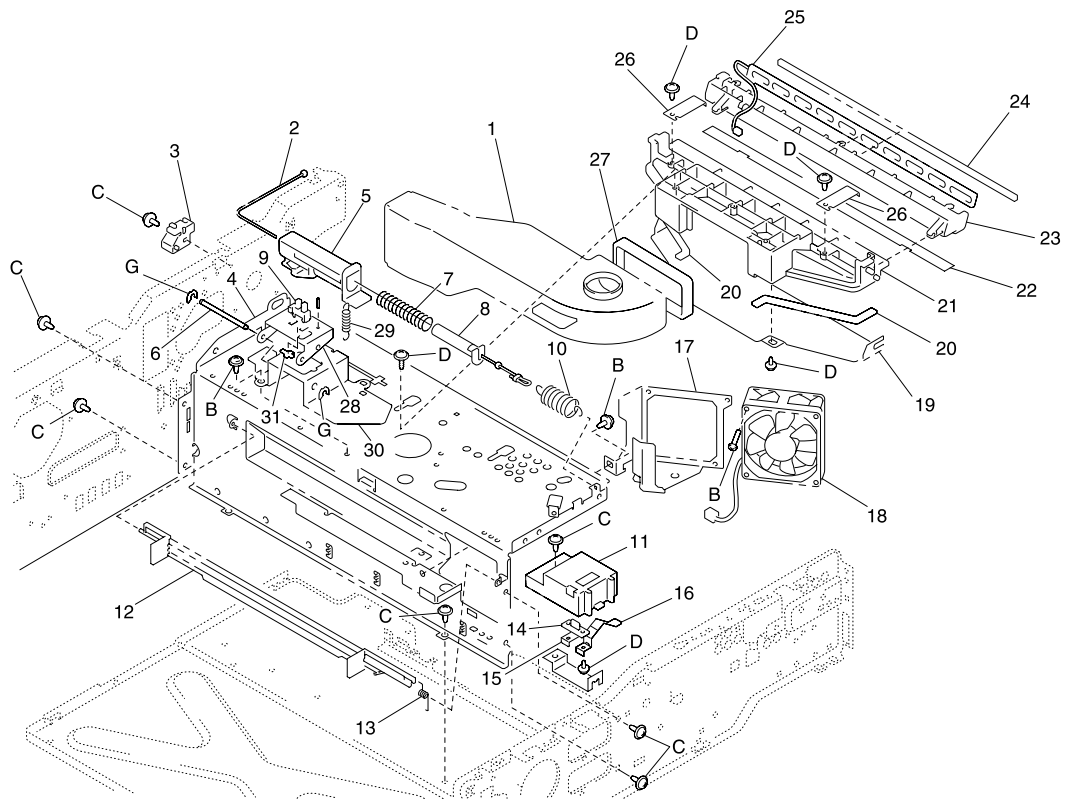
## Assembly 3: Printer Frames (B)



**Assembly 3: Printer Frames (B)**

Ref	Part Number	Units	Description
3-1	12G2073	1	Duct
-2	12G2074	1	Wire, Paper Feed Door
-3	12G2075	1	Guide
-4	12G2076	1	Frame
-5	12G2077	1	Flange, Paper Feed Door
-6	12G2078	1	Shaft
-7	12G2079	1	Pressure Spring, PF Door
-8	12G2080	1	Flange, PF Door
-9	12G2081	1	Photo Interrupter, PC12 Exit Full
-10	12G2082	1	Tension Spring, PF Door
-11	12G2083	1	Holder
-12	12G2084	1	Shutter
-13	12G2085	1	Torsion Spring
-14	12G2324	1	PW Board-R, PWB-R2, Resistor Board
-15	12G2086	1	Ground Plate
-16	12G2087	1	Ground Plate
-17	12G2088	1	Bracket
-18	12G2089	1	Fan Motor, M9 Image/PC Cartridge
-19	12G2090	1	Duct
-20	12G2091	2	Seal
-21	12G2092	1	Duct
-22	12G2093	1	Seal
-23	12G2094	1	Holder
-24	12G2095	1	Seal
-25	12G2096	1	Lamp, Erase (LA1)
-26	12G2097	2	Plate Spring
-27	12G2098	1	Seal
-28	12G2099	1	Bracket
-29	12G2100	1	Tension Spring
-30	12G2101	1	Bracket
-31	12G2102	1	Stopper

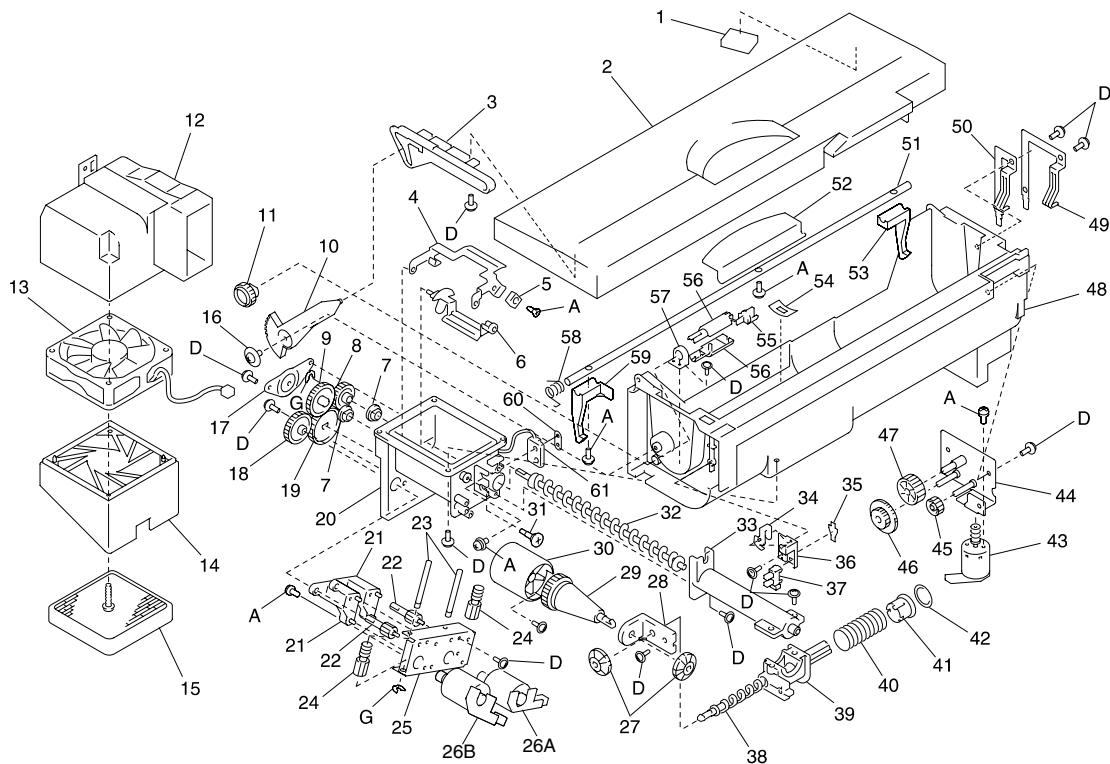


**Assembly 3 (cont.): Printer Frames (B)**

**Assembly 3 (cont.): Printer Frames (B)**

<b>Ref</b>	<b>Part Number</b>	<b>Units</b>	<b>Description</b>
3-B		1	Parts Packet 2, PN 12G3401
-C		1	Parts Packet 3, PN 12G3402
-D		1	Parts Packet 4, PN 12G3403
-G		1	Parts Packet 7, PN 12G3406

# Assembly 4: Printer Hopper



## Assembly 4: Printer Hopper

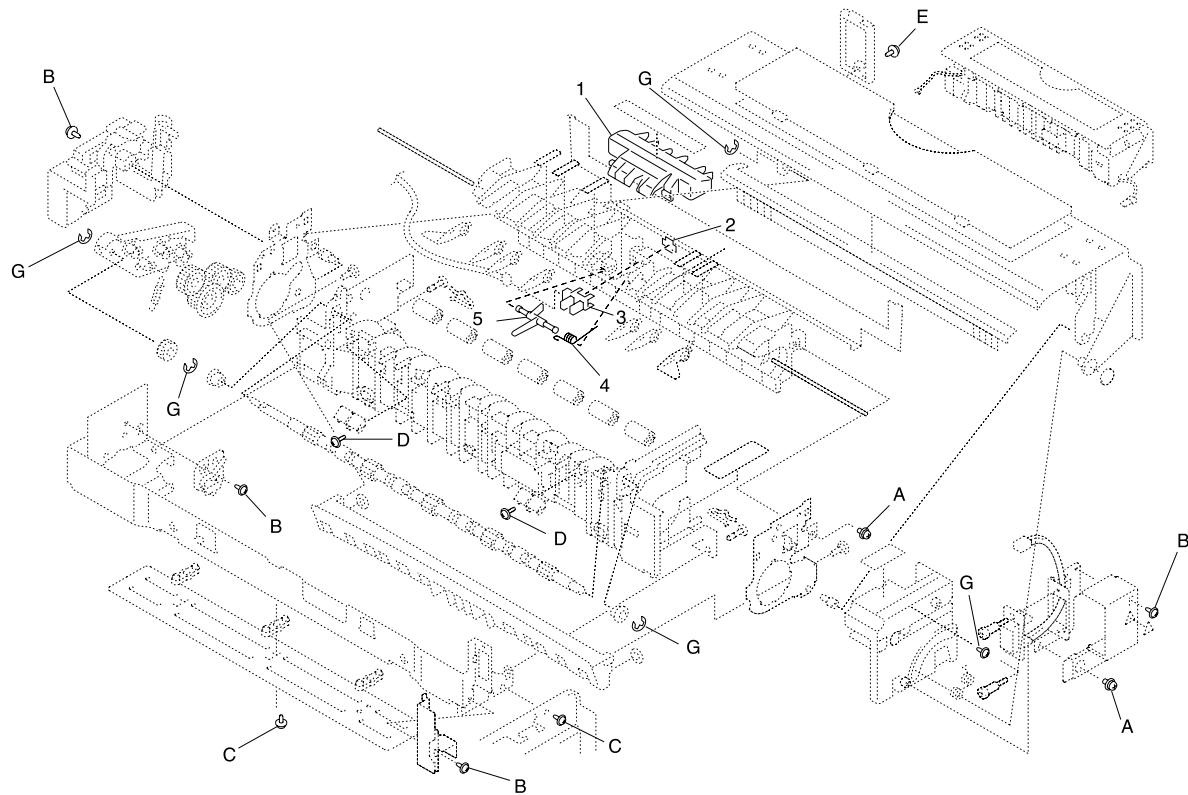
Ref	Part Number	Units	Description
4-1	12G2105	1	Cushion
-2	12G2106	1	Cover
-3	12G2107	1	Guide
-4	12G2108	1	Detecting Plate
-5	12G2109	1	Magnet
-6	12G2110	1	Scraper Plate
-7	12G2111	2	Bushing
-8	12G2112	1	Gear 29t
-9	12G2113	1	Gear 37t
-10	12G2114	1	Lever
-11	12G2115	1	Gear 26t
-12	12G2116	1	Duct
-13	12G2089	1	Fan Motor, M8 Ozone
-14	12G2117	1	Cover
-15	12G3425	1	Transfer Ozone BM (includes ozone filter and transfer unit)
-16	12G2119	1	Screw
-17	12G2120	1	Set Plate
-18	12G2121	1	Gear 39t
-19	12G2122	1	Gear 45t
-20	12G2123	1	Housing
-21	12G2124	2	Bushing
-22	12G2125	2	Gear 20t
-23	12G2126	2	Shaft
-24	12G2127	2	Worm Gear
-25	12G2128	1	Bracket
-26A	12G2129	1	PWB-Motor, M6(main hopper)
-26B	56P2580	1	PWB-Motor, M7(sub-hopper)
-27	12G2130	2	Gear 24t
-28	12G2131	1	Bushing
-29	12G2132	1	Gear 30t
-30	12G2133	1	Holder
-31	12G2134	1	Shoulder Screw
-32	12G2135	1	Spiral Roller



## Assembly 4 (cont.): Printer Hopper

Ref	Part Number	Units	Description
4-33	12G2136	1	Duct
-34	12G2137	1	Actuator
-35	12G2102	1	Stopper
-36	12G2138	1	Bracket
-37	12G2081	1	Photo Interrupter, PC10 Bottle Cover
-38	12G2139	1	Spiral Roller
-39	12G2140	1	Duct
-40	12G2141	1	Pressure Spring
-41	12G2142	1	Shutter
-42	12G2143	1	Seal
-43	12G2144	1	PWB-Motor, M10 Agitating Motor
-44	12G2145	1	Mounting Plate
-45	12G2146	1	Gear 16/20t
-46	12G2147	1	Gear 16/60t
-47	12G2148	1	Gear 25t
-48	12G2149	1	Housing
-49	12G2150	1	Terminal, Cover A Toner Box
-50	12G2151	1	Terminal, Cover A Toner Box
-51	12G2152	1	Shaft
-52	12G2153	1	Lever
-53	12G2154	1	Lock Lever
-54	12G2155	1	Seal
-55	12G2156	1	Durm
-56	12G2157	2	Holder
-57	12G2158	1	Bushing
-58	12G2159	1	Torsion Spring
-59	12G2160	1	Lock Lever
-60	12G2161	1	Plate Nut
-61	12G2162	1	Switch, SW4 Toner Empty
-A		1	Parts Packet 1, PN 12G3400
-D		1	Parts Packet 4, PN 12G3403
-G		1	Parts Packet 7, PN 12G3406

## Assembly 5: Printer Fuser (A)

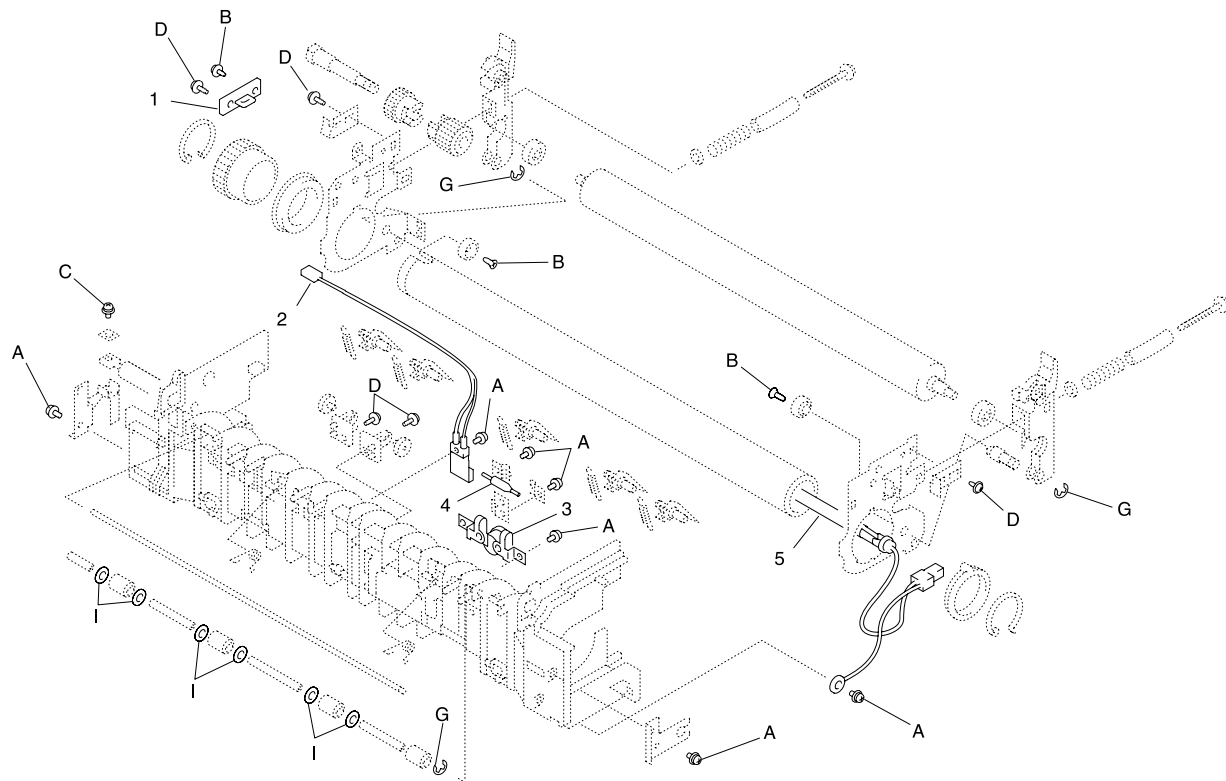


**Assembly 5: Printer Fuser (A)**

Ref	Part Number	Units	Description
5-1	12G2169	1	Cover
-2	12G2173	1	Stopper
-3	12G2081	1	Photo Interrupter, PC3 Paper Exit
-4	12G2175	1	Torsion Spring
-5	12G2176	1	Actuator
NS	12G2221	1	Fusing Unit, 110V
NS	12G2222	1	Fusing Unit, 220V
-A		1	Parts Packet 1, PN 12G3400
-B		1	Parts Packet 2 PN 12G3401
-C		1	Parts Packet 3 PN 12G3402
-D		1	Parts Packet 4 PN 12G3403
-E		1	Parts Packet 5 PN 12G3404
-G		1	Parts Packet 7 PN 12G3406
<b>Note:</b> Illustrated parts that do not have a callout are for reference only.			



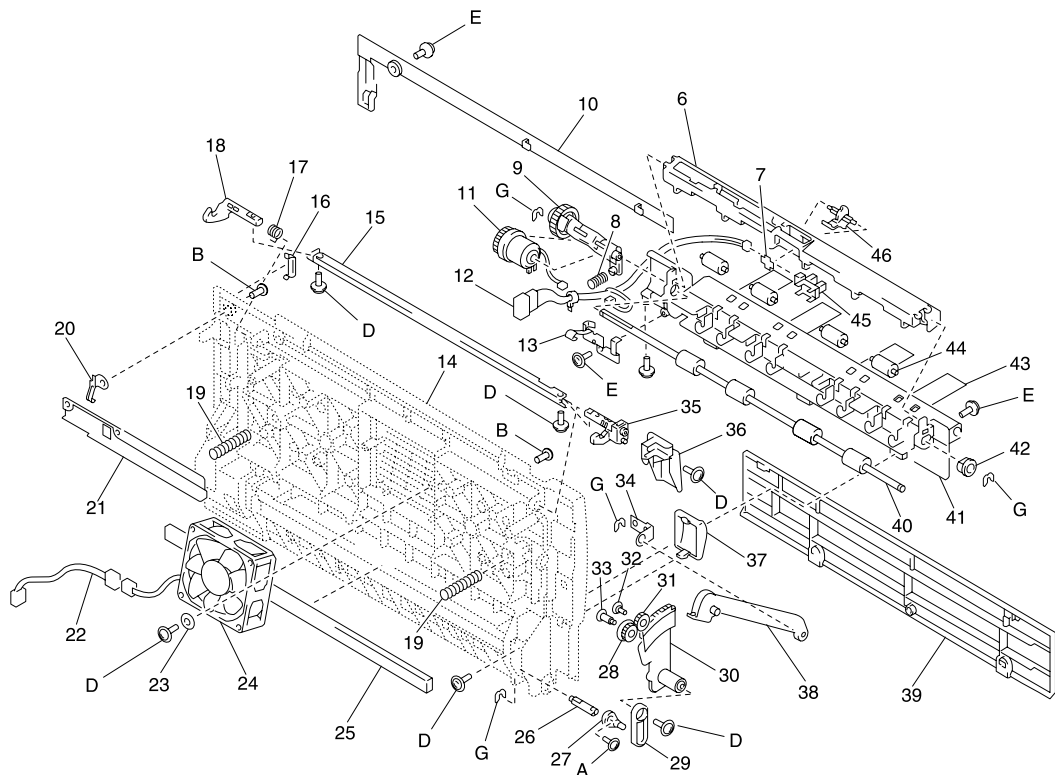
## Assembly 6: Printer Fuser (B)



**Assembly 6: Printer Fuser (B)**

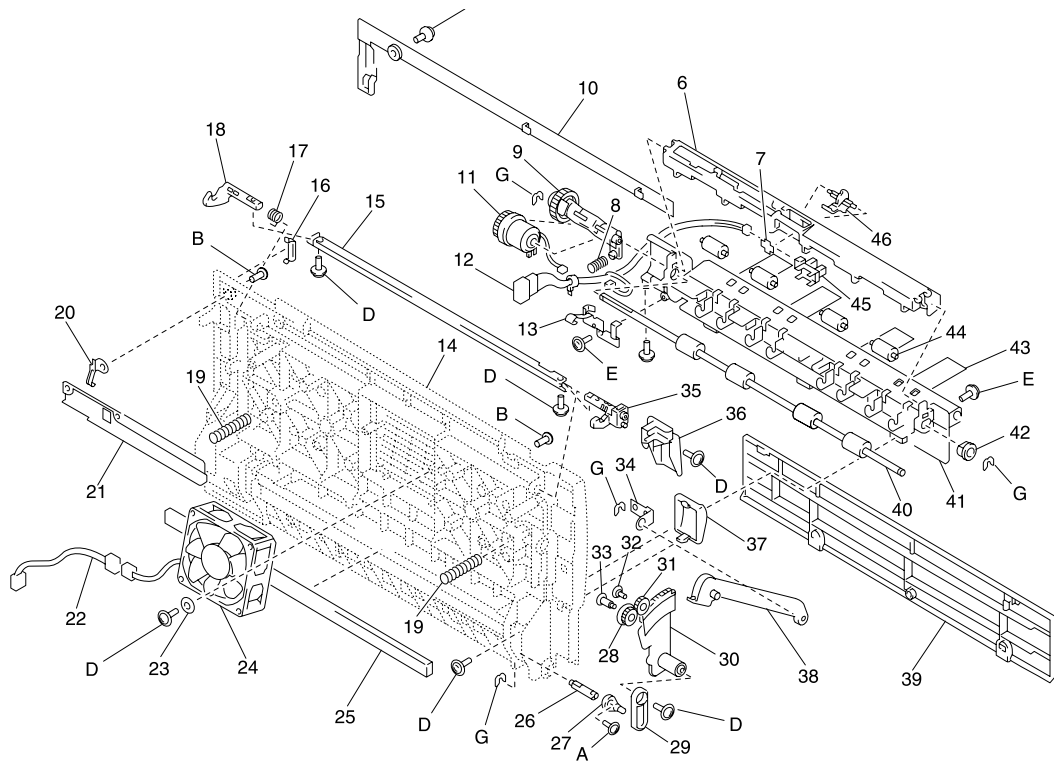
Ref	Part Number	Units	Description
6-1	12G2238	1	PW Board-R1, Fuser Frame Resistor Board
-2	12G2242	1	Thermistor, TH2
-3	12G2255	1	Thermostat, TS1
-4	12G2256	1	Thermal Fuse, TF1
-5	12G2262	1	Heater, 110V
-5	12G2263	1	Heater, 220V
-A		1	Parts Packet 1, PN 12G3400
-B		1	Parts Packet 2, PN 12G3401
-C		1	Parts Packet 3 PN 12G3402
-D		1	Parts Packet 4, PN 12G3403
-G		1	Parts Packet 7, PN 12G3406
-I		1	Parts Packet 9, PN 12G3408
<b>Note:</b> Illustrated parts that do not have a callout are for reference only.			

# Assembly 7: Printer Manual Feed



## Assembly 7: Printer Manual Feed

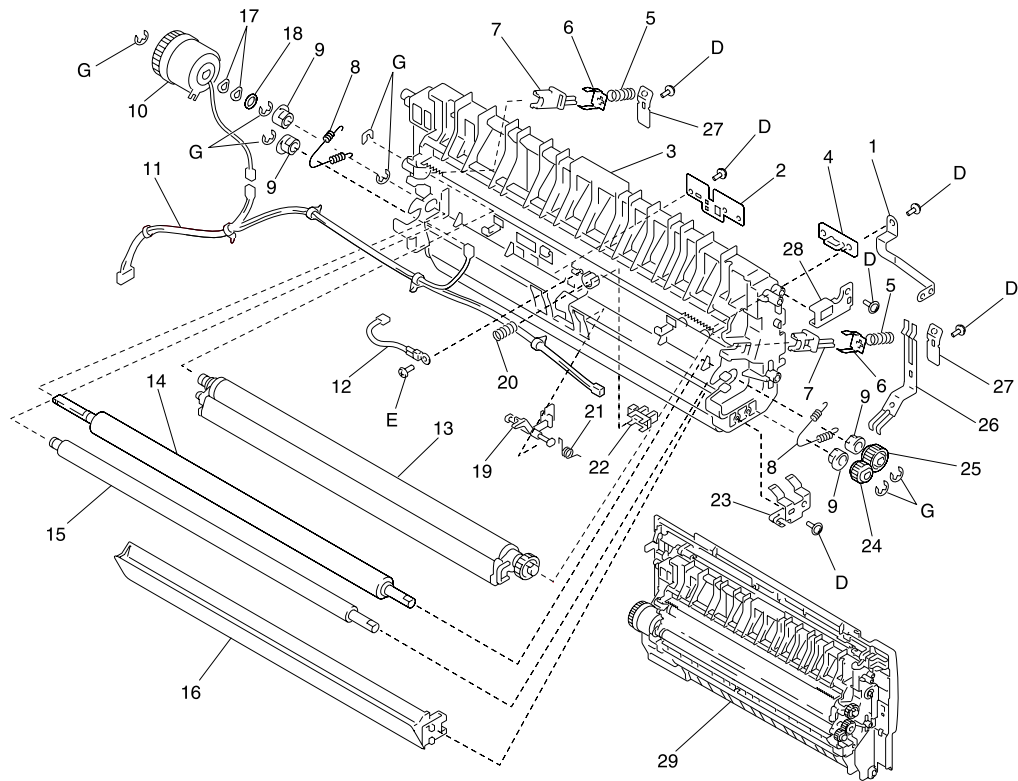
Ref	Part Number	Units	Description
7-1	N/A		
-2	N/A		
-3	N/A		
-4	N/A		
-5	N/A		
-6	12G2281	1	Cover
-7	12G2173	1	Stopper
-8	12G2282	1	Pressure Spring
-9	12G2283	1	Lever Asm
-10	12G2284	1	Cover
-11	12G2285	1	Clutch, CL3 Manual Feed
-12	12G2286	1	Harness
-13	12G2287	1	Ground Plate
-14	12G2288	1	Cover Asm
-15	12G2289	1	Lock Plate
-16	12G2021	1	Cover
-17	12G2290	1	Torsion Spring
-18	12G2291	1	Hook
-19	12G2292	2	Pressure Spring
-20	12G2293	1	Ground Plate
-21	12G2294	1	Bracket
-22	12G2295	1	Harness
-23	12G2296	2	Washer
-24	12G2089	1	Fan Motor, M3 Cooling
-25	12G2297	1	Cushion
-26	12G2298	1	Shaft
-27	12G2299	1	Joint
-28	12G2300	1	Gear 14t
-29	12G2301	1	Lever
-30	12G2302	1	Lever
-31	12G2303	1	Gear 14t
-32	12G2304	1	Shoulder Screw

**Assembly 7 (cont.): Printer Manual Feed**

**Assembly 7 (cont.): Printer Manual Feed**

<b>Ref</b>	<b>Part Number</b>	<b>Units</b>	<b>Description</b>
7-33	12G2305	1	Shoulder Screw
-34	12G2306	1	Bracket
-35	12G2307	1	Hook
-36	12G2308	1	Lock Release Lever
-37	12G2309	1	Cover
-38	12G2310	1	Lever
-39	12G2311	1	Cover
-40	12G2312	1	Roller
-41	12G2313	1	Guide
-42	12G2190	1	Bushing
-43	12G2314	4	Guide Bar
-44	12G2315	4	Roll
-45	12G2081	1	Photo Interrupter, PC8 Manual Feed
-46	12G2316	1	Actuator
-A		1	Parts Packet 1, PN 12G3400
-B		1	Parts Packet 2, PN 12G3401
-D		1	Parts Packet 4, PN 12G3403
-E		1	Parts Packet 5, PN 12G3404
-G		1	Parts Packet 7, PN 12G3406

# Assembly 8: Printer Transport

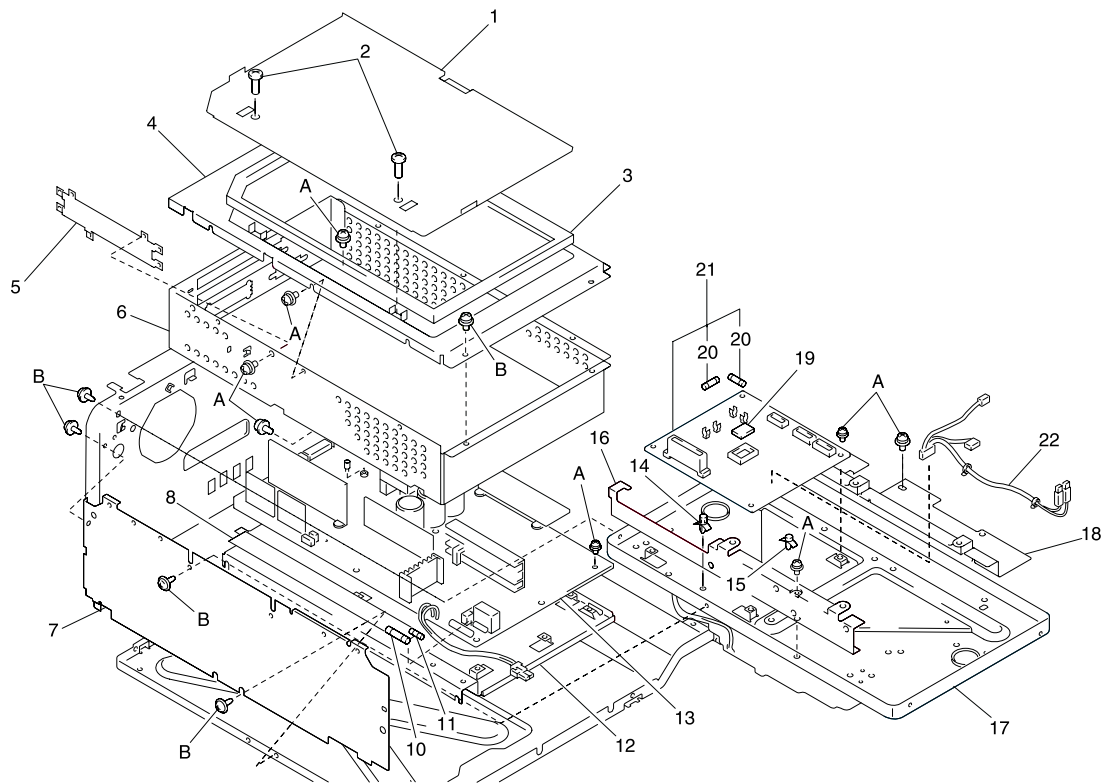


## Assembly 8: Printer Transport

Ref	Part Number	Units	Description
8-1	12G2321	1	Terminal
-2	12G2322	1	Bracket
-3	12G2323	1	Holder Asm
-4	12G2324	1	PWB-R Resistor Board
-5	12G2325	2	Pressure Spring
-6	12G2326	2	Plate Spring
-7	12G2327	2	Bushing
-8	12G2328	2	Tension Spring
-9	12G2329	4	Bushing
-10	12G2330	1	Clutch, CL1 Transport
-11	12G2331	1	Harness
-12	12G2332	1	Thermistor, TH1 Image/PC Cartridge
-13	12G3425	1	Transfer Ozone BM (includes transfer unit and ozone filter)
-14	12G2334	1	Conveyor Roller
-15	12G2335	1	Conveyor Roller
-16	12G2336	1	Cleaning Pad Asm
-17	12G2337	2	Wave Washer
-18	12G2338	1	Washer
-19	12G2339	1	Actuator
-20	12G2340	1	Pressure Spring
-21	12G2341	1	Torsion Spring
-22	12G2081	1	Photo Interrupter, PC2 Timing
-23	12G2342	1	Ground Plate
-24	12G2343	1	Gear 13t
-25	12G2344	1	Gear 18t
-26	12G2345	1	Terminal
-27	12G2346	2	Ground Plate
-28	12G2347	1	Holder
-29	12G2348	1	Transport Unit
-D		1	Parts Packet 4, PN 12G3403
-E		1	Parts Packet 5, PN 12G3404
-G		1	Parts Packet 7, PN 12G3406



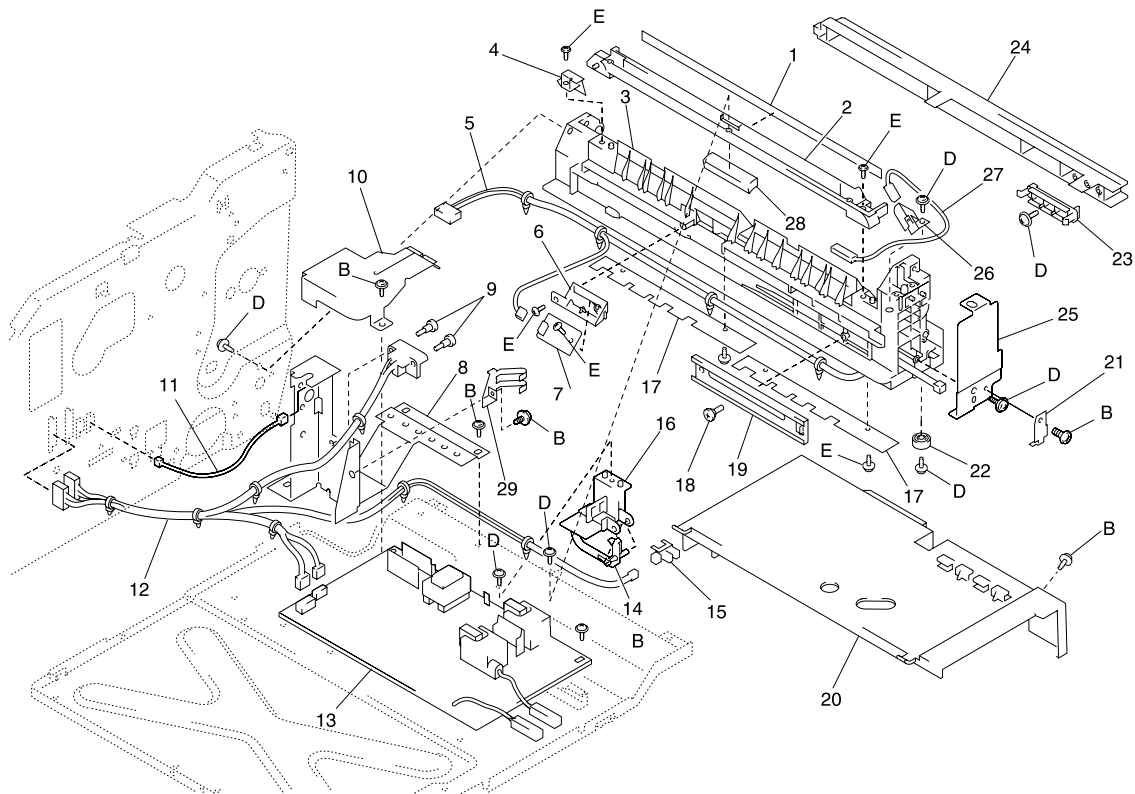
## Assembly 9: Printer Electrical Components



## Assembly 9: Printer Electrical Components

Ref	Part Number	Units	Description
9-1	12G2351	1	Lid
-2	12G2352	2	Shoulder Screw
-3	12G2353	1	Shield
-4	12G2354	1	Cover
-5	12G2355	1	Bracket
-6	12G2356	1	Shield Box
-7	12G2357	1	Reinforce Plate
-8	12G2358	1	Label Caution
-9	12G2359	1	Fuse 3.15A
-10	12G2360	1	Fuse 15A
-10	12G2361	1	Fuse 8A
-11	12G2362	1	Fuse 10A
-11	12G2363	1	Fuse 6.3A
-12	12G2364	1	Bracket
-13	12G2365	1	Power Supply, 110V, PU1
-13	12G2366	1	Power Supply, 220V, PU1—below SN 1W856776
-13	12G3457	1	Power Supply, 220V, PU1—above SN 1W856776
NS	12G3456	1	Power Supply Resistor, 220V—above SN 1W856776
-14	12G2367	2	PWB Support 6.4h
-15	12G2368	1	PWB Support
-16	12G2369	1	Bracket
-17	12G2370	1	Printhead Asm
-18	12G2371	1	Bracket
-19		1	IC, PWB-A <b>Note:</b> Included on PWB-A board only. Order 12G2374.
-20	12G2373	2	Fuse 3A
-21	12G2374	1	PWB-A, Printer Main Engine Board, 110V—all printers; 220V— below SN 1W856776
-21	12G3458	1	PWB-A, Printer Main Engine Board, 220V—above SN 1W856776
-22	12G2375	1	Harness
-A		1	Parts Packet 1, PN 12G3400
-B		1	Parts Packet 2, PN 12G3401

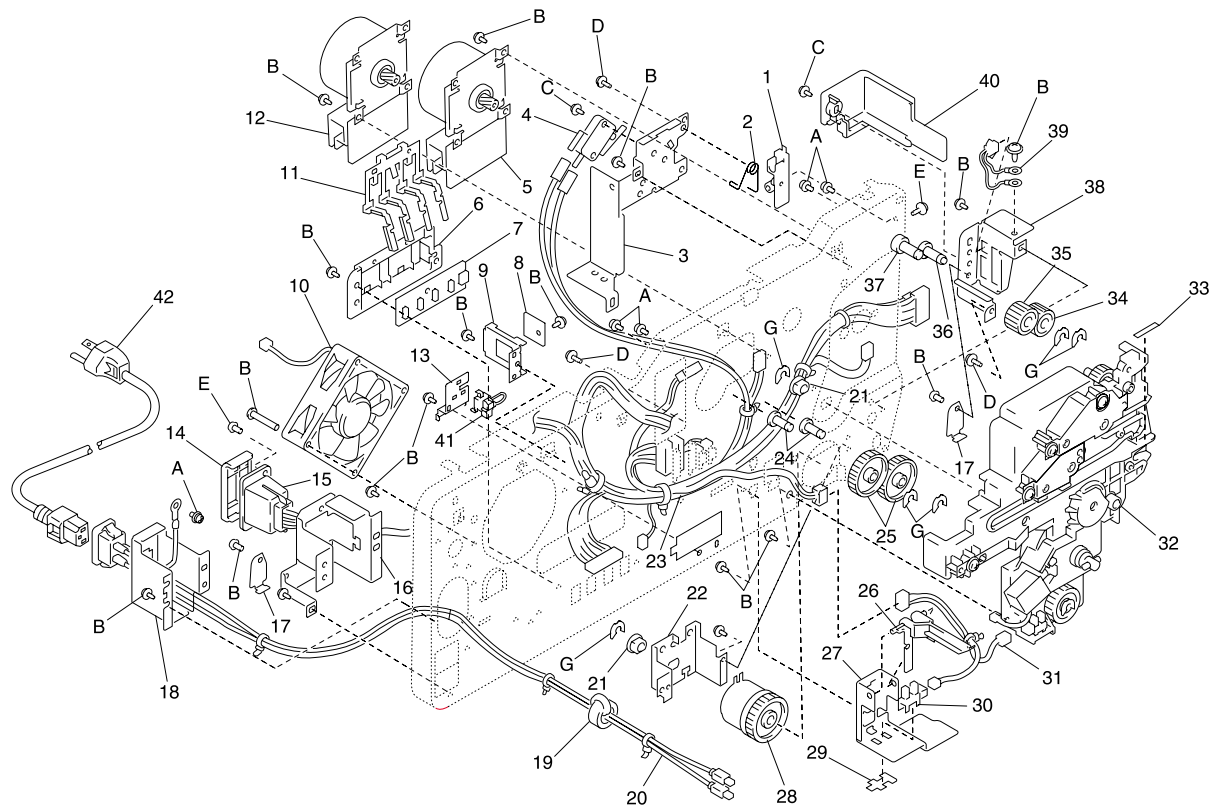
# Assembly 10: Printer Paper Take-up



## Assembly 10: Printer Paper Take-up

Ref	Part Number	Units	Description
10-1	12G2377	1	Polyester Film
-2	12G2378	1	Guide Bar
-3	12G2379	1	Rail
-4	12G2380	1	Ground Plate
-5	12G2381	1	Harness
-6	12G2382	1	Holder
-7	12G2383	1	PWB-H Humidity Board
-8	12G2384	1	Bracket
-9	12G2385	2	Shoulder Screw
-10	12G2386	1	Bracket
-11	12G2387	1	Harness
-12	12G2388	1	Harness
-13	12G2389	1	PWB-HV1, High Voltage Power Supply
-14	12G2390	1	Actuator
-15	12G2081	1	Photo Interrupter, PC4 Empty
-16	12G2391	1	Cover
-17	12G2392	2	Cover
-18	12G2393	1	Shoulder Screw
-19	12G2394	1	Rail
-20	12G2395	1	Cover
-21	12G2042	1	Holder
-22	12G2041	1	Rubber Foot
-23	12G2396	1	Lever
-24	12G2397	1	Cover
-25	12G2398	1	Bracket
-26	12G2399	1	Terminal
-27	12G2400	1	Harness
-28	12G2401	1	Pad
-29	12G2402	1	Ground Plate
-B		1	Parts Packet 2, PN 12G3401
-D		1	Parts Packet 4, PN 12G3403
-E		1	Parts Packet 5, PN 12G3404

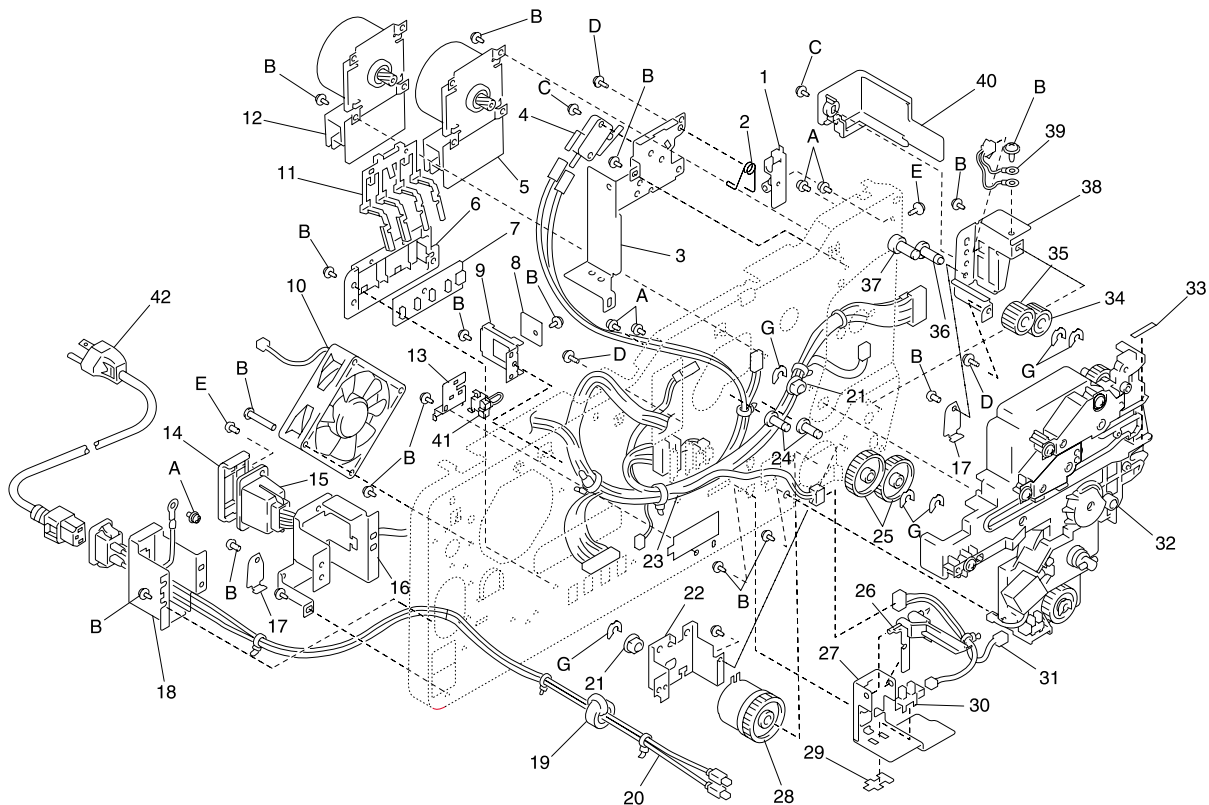
# Assembly 11: Printer Drive



## Assembly 11: Printer Drive

Ref	Part Number	Units	Description
11-1	12G2404	1	Guide
-2	12G2405	1	Torsion Spring
-3	12G2406	1	Bracket
-4	12G2407	1	Micro Switch, S2 Right Side Door
-5	12G2408	1	Motor, M2 Transport Drive
-6	12G2409	1	Holder
-7	12G2410	1	PWB-I, Paper Size Board
-8	12G2411	1	CPM Switch Board, PWB-L
-9	12G2412	1	Bracket
-10	12G2413	1	Fan Motor, M4 Power Unit Cooling
-11	12G2414	1	Lever
-12	12G2415	1	Motor, M1 Image/PC Cartridge
-13	12G2416	1	Bracket
-14	12G2417	1	Cover
-15	12G2418	1	Harness
-16	12G2419	1	Bracket
-17	12G2042	2	Holder
-18	12G2420	1	Bracket
-19	12G2421	1	Ferrite Core
-20	12G2422	1	Harness
-21	12G2423	2	Bushing
-22	12G2424	1	Bracket
-23	12G2425	1	Harness
-24	12G2426	2	Pin
-25	12G2427	2	Gear 34t
-26	12G2428	1	Lever
-27	12G2429	1	Bracket
-28	12G2430	1	Clutch, CL2 Transport
-29	12G2431	1	Cover
-30	12G2081	1	Photo Interrupter, PC5 Near Empty
-31	12G2432	1	Harness
-32	12G2433	1	Drive Unit
-33	12G2434	1	Label

# Assembly 11 (cont.): Printer Drive

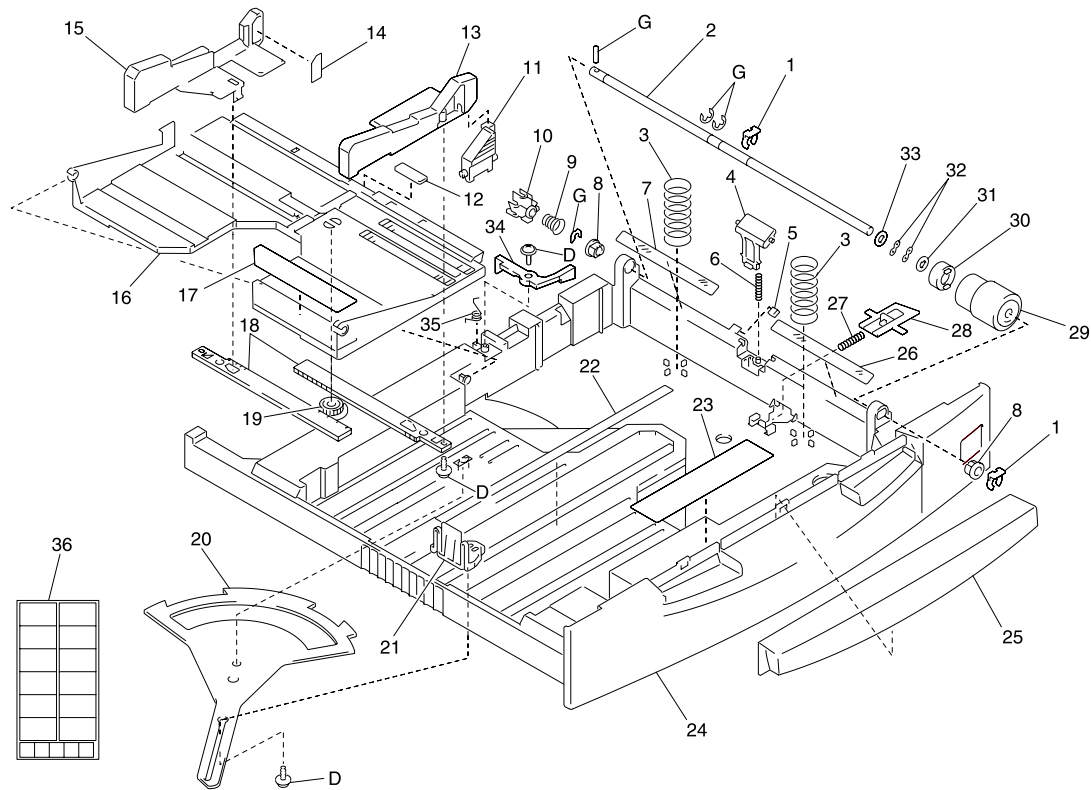


**Assembly 11 (cont.): Printer Drive**

Ref	Part Number	Units	Description
11-34	12G2435	1	Gear 20t
-35	12G2436	1	Gear 18t
-36	12G2437	1	Shaft
-37	12G2438	1	Shaft
-38	12G2439	1	Bracket
-39	12G2440	1	Harness
-40	12G2441	1	Cover
-41	12G2442	1	Switch, S5 Size
-42	11D0328	1	Power Cord, U.S, Canada, APG (LV), LAD (LV)
-42	11D0333	1	Power Cord, Denmark
-42	11D0334	1	Power Cord, Europe, England
-42	11D0334	1	Power Cord, France
-42	11D0334	1	Power Cord, Germany
-42	11D0335	1	Power Cord, Italy
-42	11D0334	1	Power Cord, Spain
-42	11D0336	1	Power Cord, Swiss/French
-42	11D0336	1	Power Cord, Swiss/German
-42	11D0336	1	Power Cord, Swiss/Italian
-42	11D0337	1	Power Cord, U.K.
-42	11D0338	1	Power Cord, Israel
-42	11D0339	1	Power Cord, South Africa
-42	11D0334	1	Power Cord, Belgium
-42	11D0330	1	Power Cord, Argentina
-42	11D0331	1	Power Cord, Brazil
-42	11D0332	1	Power Cord, Chile
-42	11D0329	1	Power Cord, Peru
-A		1	Parts Packet 1, PN 12G3400
-B		1	Parts Packet 2, PN 12G3401
-C		1	Parts Packet 3, PN 12G3402
-D		1	Parts Packet 4, PN 12G3403
-E		1	Parts Packet 5, PN 12G3404
-G		1	Parts Packet 7, PN 12G3406

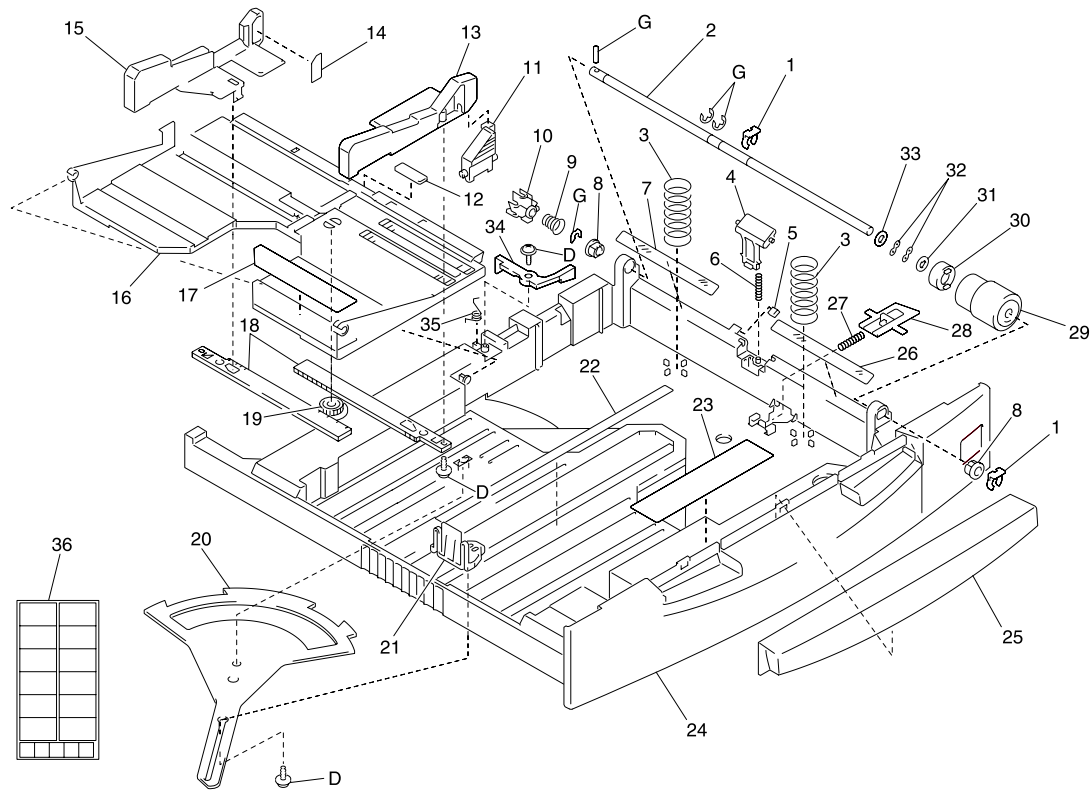


# Assembly 12: Printer Paper Tray



## Assembly 12: Printer Paper Tray

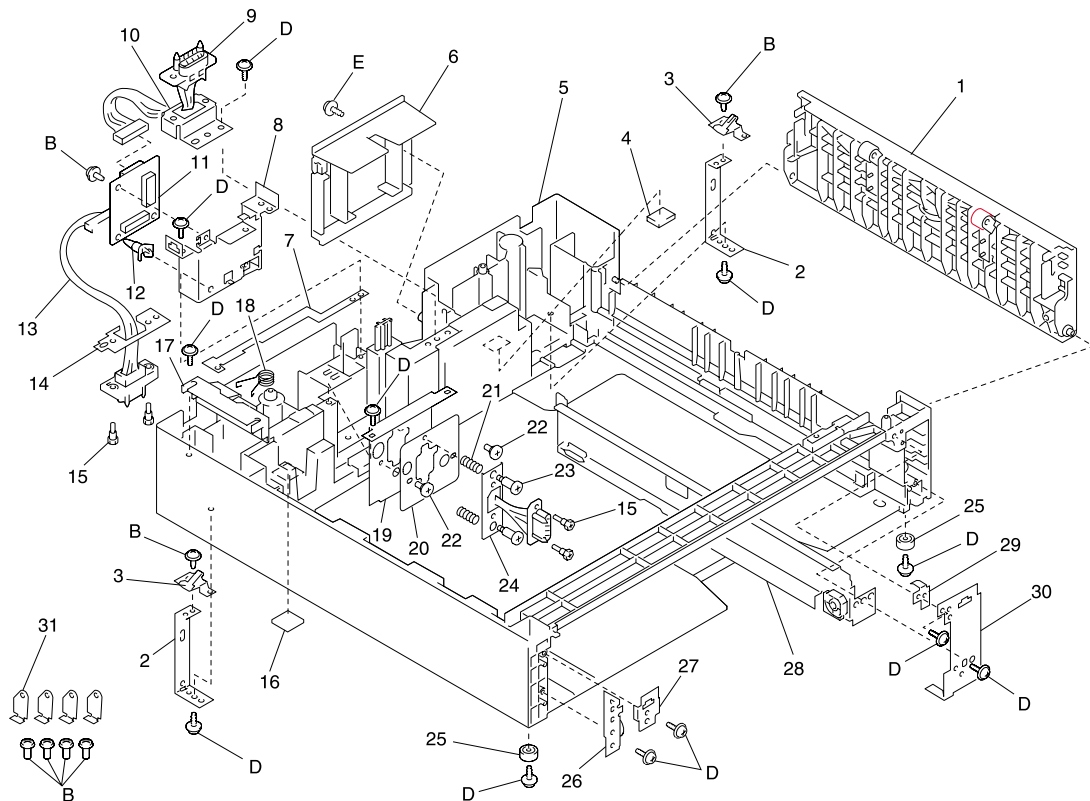
Ref	Part Number	Units	Description
12-1	12G2447	2	Stopper Ring
-2	12G2448	1	Shaft
-3	12G2449	2	Pressure Spring
-4	12G2450	1	Separator, Paper
-5	12G2451	1	Cleaning Pad
-6	12G2452	1	Pressure Spring
-7	12G2453	1	Polyester Film
-8	12G2454	2	Bushing
-9	12G2455	1	Pressure Spring
-10	12G2456	1	Joint
-11	12G2457	1	Lock Lever
-12	12G2458	1	Friction Sheet
-13	12G2459	1	Regulating Plate
-14	12G2460	1	Label Max Level
-15	12G2461	1	Regulating Plate
-16	12G2462	1	Lifting Plate
-17	12G2463	1	Width Scale
-18	12G2464	2	Rack Gear
-19	12G2465	1	Gear 20t
-20	12G2466	1	Lever
-21	12G2467	1	Regulating Plate
-22	12G2468	1	Length Scale
-23	12G2469	1	Label Paper Loading
-24	12G2470	1	Cassette Body
-25	12G2621	1	Handle
-26	12G2472	1	Polyester Film
-27	12G2473	1	Pressure Spring
-28	12G2474	1	Lock Lever
-29	12G2475	1	Roll, Paper Pickup
-30	12G2476	1	Weight
-31	12G2477	1	Washer
-32	12G2337	2	Wave Washer
-33	12G2478	1	Washer

**Assembly 12 (cont.): Printer Paper Tray**

**Assembly 12 (cont.): Printer Paper Tray**

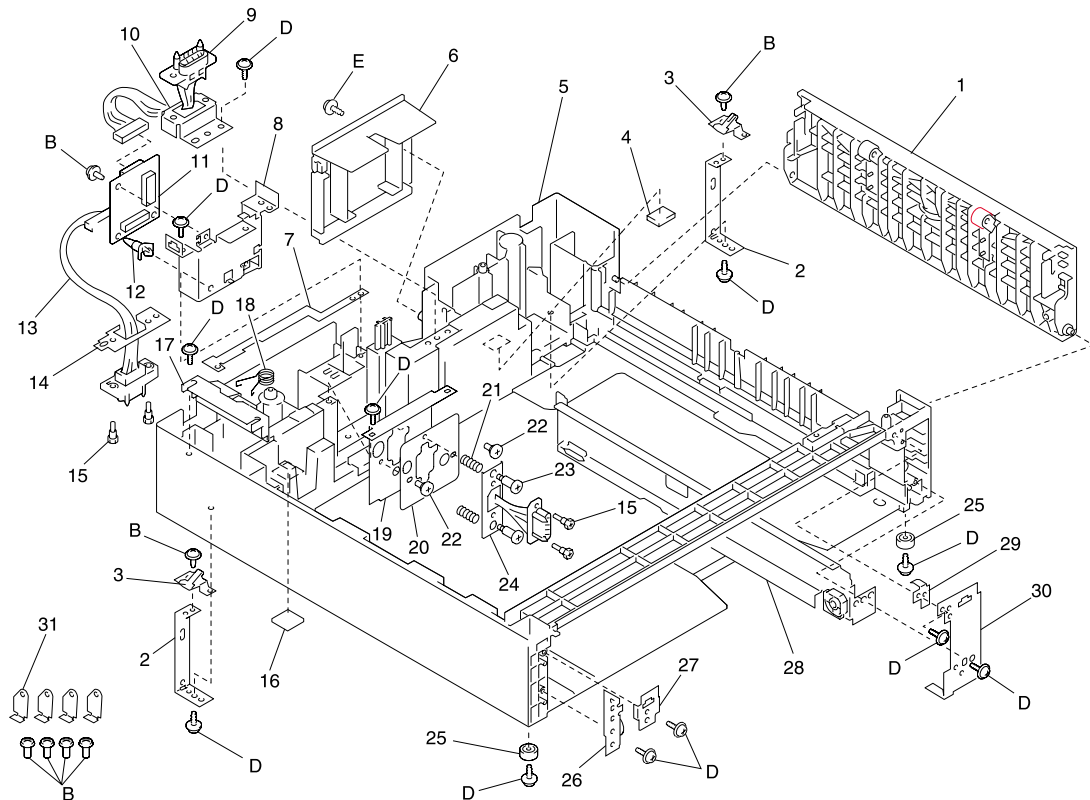
<b>Ref</b>	<b>Part Number</b>	<b>Units</b>	<b>Description</b>
12-34	12G2479	1	Lever
-35	12G2480	1	Torsion Spring
-36	12G2481	1	Label Paper Size
-D		1	Parts Packet 4, PN 12G3403
-G		1	Parts Packet 7, PN 12G3406

# Assembly 13: 500 Sheet Unit Housing



**Assembly 13: 500 Sheet Unit Housing**

Ref	Part Number	Units	Description
13-1	12G2528	1	Guide
-2	12G2529	2	Bracket
-3	12G2530	2	Plate Spring
-4	12G2531	1	Rubber Foot
-5	12G2532	1	Frame
-6	12G2533	1	Cover
-7	12G2534	1	Ground Plate
-8	12G2535	1	Bracket
-9	12G2536	1	Harness
-10	12G2537	1	Bracket
-11	12G2538	1	PWB-A, Main Controller Board
-12	12G2539	1	PWB Support 6.35h
-13	12G2540	1	Harness
-14	12G2541	1	Bracket
-15	12G2542	4	Shoulder Screw
-16	12G2543	1	Rubber Foot
-17	12G2544	1	Holder
-18	12G2545	1	Spring
-19	12G2546	1	Bracket
-20	12G2547	1	Bracket
-21	12G2548	2	Pressure Spring
-22	12G2549	2	Shoulder Screw
-23	12G2550	2	Shoulder Screw
-24	12G2551	1	Bracket
-25	12G2552	2	Rubber Foot
-26	12G2553	1	Bracket
-27	12G2554	1	Bracket
-28	12G2555	1	Rail
-29	12G2556	1	Pressure Spring
-30	12G2557	1	Bracket
-31	12G2042	4	Holder

**Assembly 13 (cont.): 500 Sheet Unit Housing**

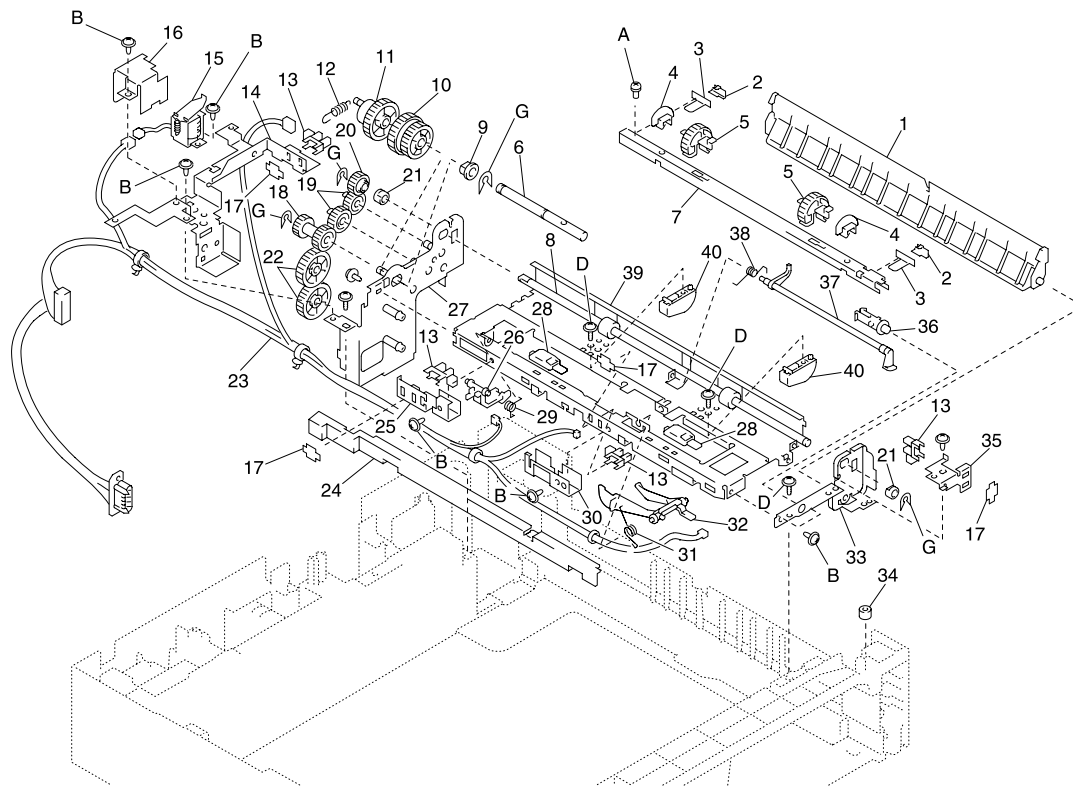
4023-001

**Assembly 13 (cont.): 500 Sheet Unit Housing**

<b>Ref</b>	<b>Part Number</b>	<b>Units</b>	<b>Description</b>
13-B		1	Parts Packet 2, PN 12G3401
-D		1	Parts Packet 4, PN 12G3403
-E		1	Parts Packet 5, PN 12G3404

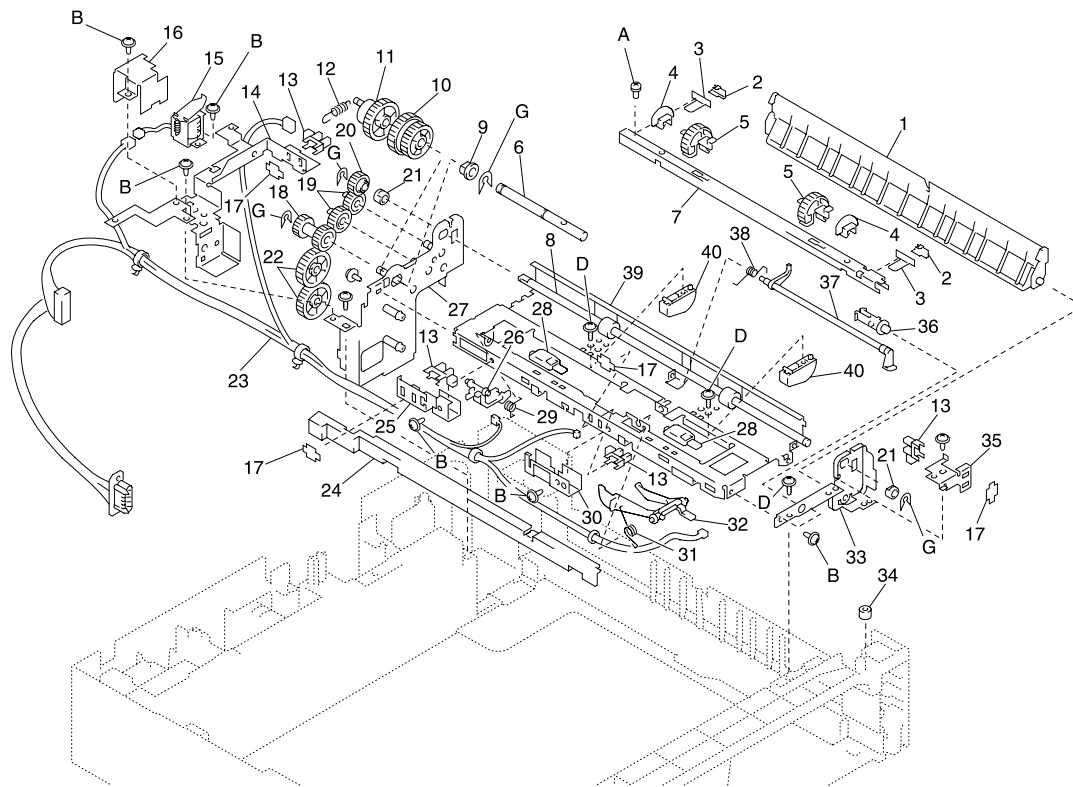


# Assembly 14: 500 Sheet Unit Paper Take-up



**Assembly 14: 500 Sheet Unit Paper Take-up**

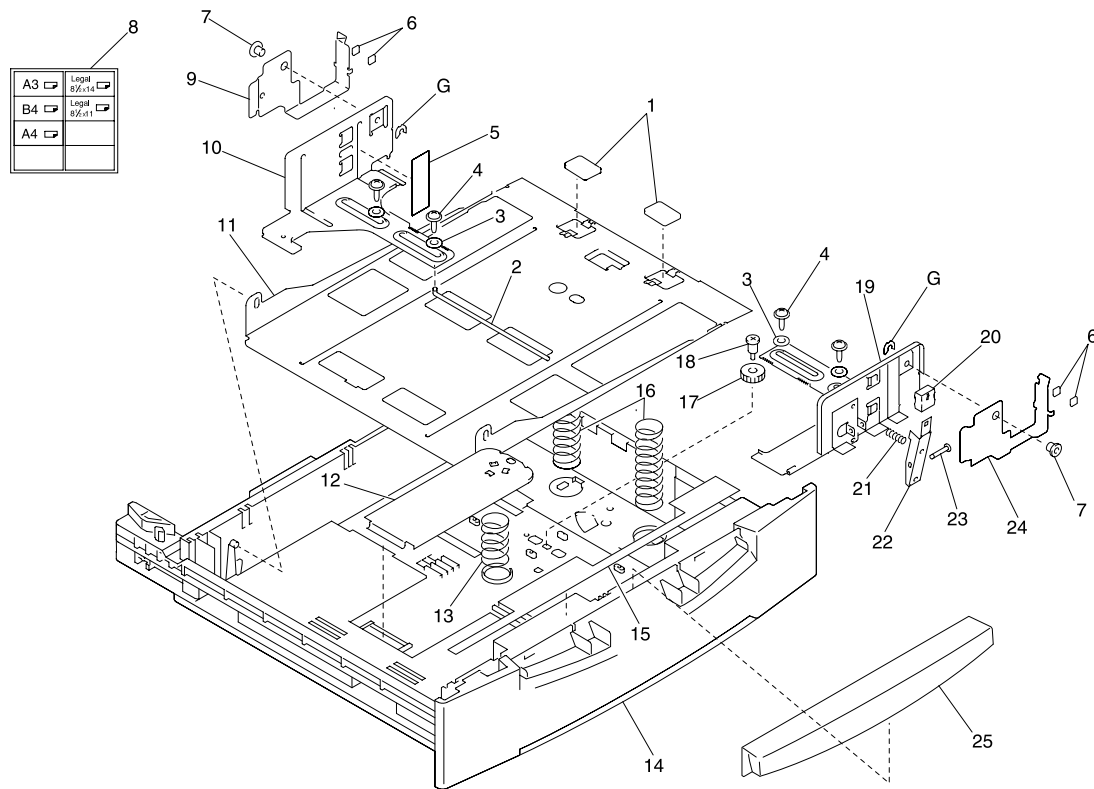
Ref	Part Number	Units	Description
14-1	12G2558	1	Guide Plate
-2	12G2559	2	Holder
-3	12G2560	2	Polyester Film
-4	12G2561	2	Collar
-5	12G2562	2	Roller, Paper Pick-up
-6	12G2563	1	Shaft
-7	12G2564	1	Axle Plate
-8	12G2565	1	Roller
-9	12G2566	1	Bushing
-10	12G2567	1	Gear 30/36t
-11	12G2568	1	Gear 31t
-12	12G2569	1	Tension Spring
-13	12G2081	4	Photo Interrupter, PC22, PC23, PC25
-14	12G2570	1	Bracket
-15	12G2571	1	Solenoid, SL1 Take-up
-16	12G2572	1	Bracket
-17	12G2173	4	Stopper
-18	12G2574	1	Gear 16/20t
-19	12G2575	2	Gear 20t
-20	12G2576	1	Gear 18t
-21	12G2577	2	Bushing
-22	12G2578	2	Gear 34t
-23	12G2579	1	Harness
-24	12G2580	1	Holder
-25	12G2581	1	Bracket
-26	12G2582	1	Lever
-27	12G2583	1	Axle Plate
-28	12G2584	2	Spacer
-29	12G2585	1	Torsion Spring
-30	12G2586	1	Bracket
-31	12G2587	1	Torsion Spring
-32	12G2588	1	Actuator
-33	12G2589	1	Bracket

**Assembly 14 (cont.): 500 Sheet Unit Paper Take-up**

**Assembly 14 (cont.): 500 Sheet Unit Paper Take-up**

<b>Ref</b>	<b>Part Number</b>	<b>Units</b>	<b>Description</b>
14-34	12G2590	1	Collar
-35	12G2591	1	Bracket
-36	12G2592	1	Shaft
-37	12G2593	1	Actuator
-38	12G2594	1	Torsion Spring
-39	12G3508	1	Guide Plate
-40	12G2596	2	Guide
-A		1	Parts Packet 1, PN 12G3400
-B		1	Parts Packet 2, PN 12G3401
-D		1	Parts Packet 4, PN 12G3403
-G		1	Parts Packet 7, PN 12G3406

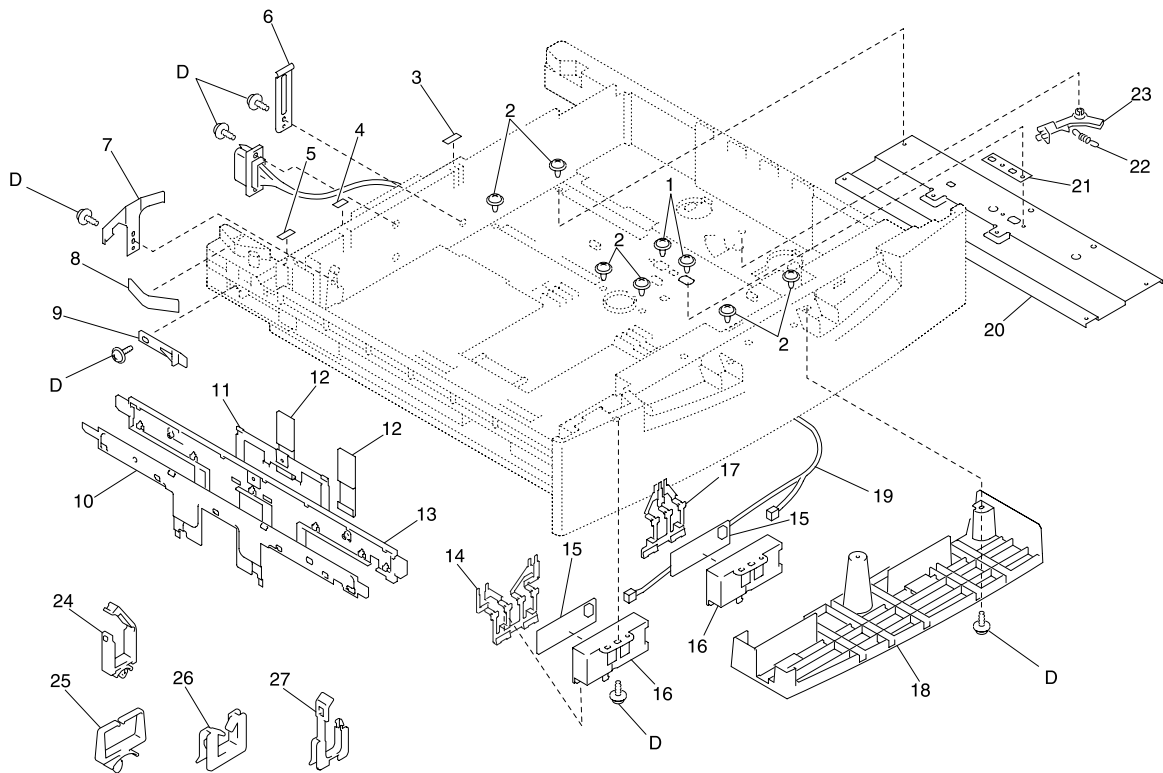
# Assembly 15: 500 Sheet Unit Paper Tray Unit (A)



**Assembly 15: 500 Sheet Unit Paper Tray Unit (A)**

<b>Ref</b>	<b>Part Number</b>	<b>Units</b>	<b>Description</b>
15-1	12G2597	2	Cork
-2	12G2598	1	Shaft
-3	12G3371	4	Washer
-4	12G2600	4	Screw
-5	12G2601	1	Label Max Level
-6	12G3509	4	Collar
-7	12G2603	2	Hold Plate
-8	12G2604	1	Label Paper Size
-9	12G2605	1	Guide Plate
-10	12G2606	1	Regulating Plate
-11	12G2607	1	Lifting Plate
-12	12G2608	1	Lifting Plate
-13	12G2609	1	Pressure Spring
-14	12G2610	1	Cassette Body
-15	12G2611	1	Label Cassette
-16	12G2612	2	Pressure Spring
-17	12G2613	1	Gear 14t
-18	12G2614	1	Shoulder Screw
-19	12G2615	1	Regulating Plate
-20	12G2616	1	Knob
-21	12G2617	1	Pressure Spring
-22	12G2618	1	Lever
-23	12G2619	1	Shaft
-24	12G2620	1	Guide Plate
-25	12G2621	1	Handle
-G		1	Parts Packet 7, PN 12G3406

# Assembly 16: 500 Sheet Unit Paper Tray Unit (B)



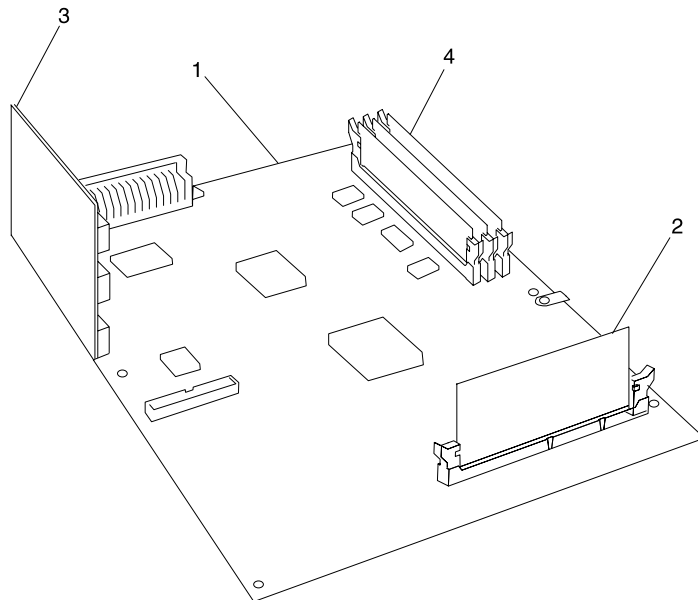
**Assembly 16: 500 Sheet Unit Paper Tray Unit (B)**

Ref	Part Number	Units	Description
16-1	12G2622	2	Screw
-2	12G2623	6	Screw
-3	12G2624	1	Label
-4	12G2625	1	Label
-5	12G2626	1	Label
-6	12G2627	1	Plate Spring
-7	12G3372	1	Plate Spring
-8	12G2629	1	Friction Sheet
-9	12G2630	1	Stopper
-10	12G2631	1	Reinforce Plate
-11	12G2632	1	Plate Spring
-12	12G2633	2	Sheet
-13	12G2634	1	Regulating Plate
-14	12G2635	1	Terminal
-15	12G2410	2	PWB-I, Paper Size Board
-16	12G2636	2	Holder
-17	12G2637	1	Terminal
-18	12G2638	1	Cover
-19	12G2639	1	Harness
-20	12G2640	1	Reinforce Plate
-21	12G2641	1	Plate
-22	12G2642	1	Tension Spring
-23	12G2643	1	Lever
-24	12G2486	1	Wiring Saddle 5.2h
-25	12G2487	2	Wiring Saddle 6.4h
-26	12G2490	9	Edge Cover 8.5h
-27	12G2491	1	Edge Cover 15.4h
-D		1	Parts Packet 4, PN 12G3403



4023-001

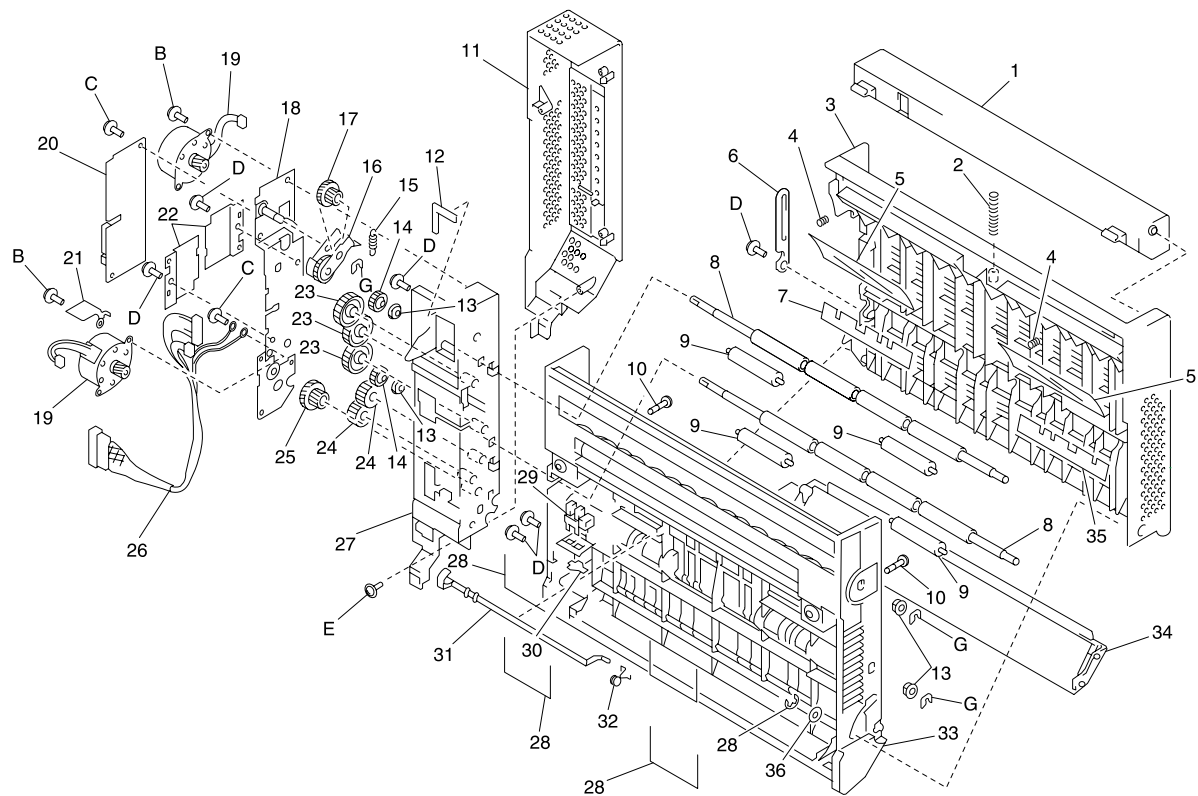
## Assembly 17: Printer Controller Card



**Assembly 17: Printer Controller Card**

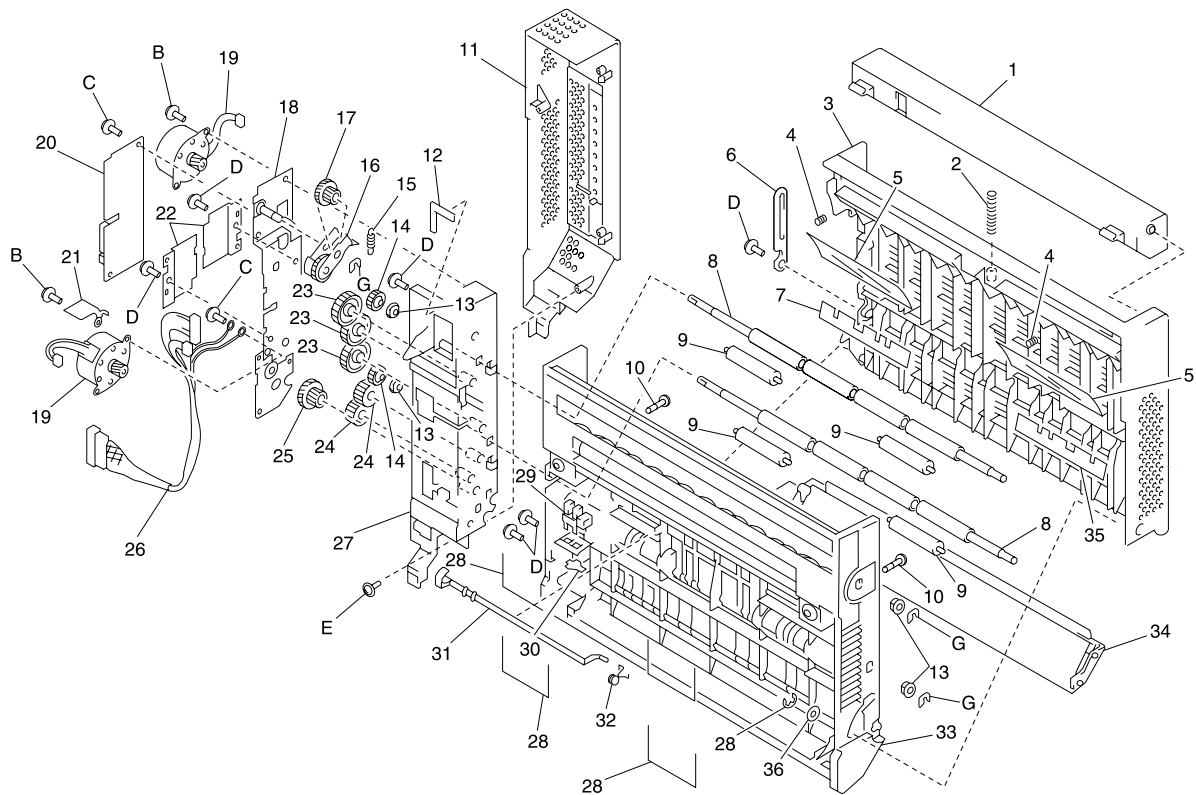
<b>Ref</b>	<b>Part Number</b>	<b>Units</b>	<b>Description</b>
17-1	12G3454	1	RIP Controller Card
-2	11G3523	1	5MB SIMM Code, Controller Card
-3	12G3521	1	Riser Card, Controller Card
-4	99A1757	1	2MB Flash DIMM
-4	99A1758	1	4MB Flash DIMM
-4	99A1759	1	8MB Flash DIMM
-4	99A1774	1	16MB Flash DIMM
-4	99A1752	1	4MB SDRAM DIMM
-4	99A1753	1	8MB SDRAM DIMM
-4	99A1754	1	16MB SDRAM DIMM
-4	99A1755	1	32MB SDRAM DIMM
-4	99A1756	1	64MB SDRAM DIMM
NS	12C0805	2	Screw, Parallel Port

# Assembly 18: Duplex Unit



**Assembly 18: Duplex Unit**

Ref	Part Number	Units	Description
18-1	12G2494	1	Lever
-2	12G2495	1	Pressure Spring
-3	12G2496	1	Cover
-4	12G2497	2	Pressure Spring
-5	12G2498	2	Polyester Film
-6	12G2499	1	Stopper
-7	12G2500	1	Polyester Film
-8	12G2501	2	Roller
-9	12G2502	4	Roll
-10	12G2503	2	Shoulder Screw
-11	12G2504	1	Cover
-12	12G2505	1	Seal
-13	12G2190	4	Bushing
-14	12G2506	2	Gear 20 T
-15	12G2507	1	Tension Spring
-16	12G2508	1	Lever
-17	12G2509	1	Gear 12/40 T
-18	12G2510	1	Axle Plate
-19	12G2511	2	Motor, M1, M2 Duplex Drive
-20	12G2512	1	PWB-A, Duplex Control Board
-21	12G2513	1	Plate
-22	12G2514	2	Plate
-23	12G2515	3	Gear 35 T
-24	12G2516	2	Gear 24 T
-25	12G2517	1	Gear 17/45 T
-26	12G2518	1	Harness
-27	12G2519	1	Holder
-28	12G2520	4	Spring
-29	12G2081	1	Photo Interrupter, S2 Door Close
-30	12G2102	1	Stopper
-31	12G2521	1	Actuator
-32	12G2523	1	Torsion Spring
-33	12G2524	1	Frame

**Assembly 18 (cont.): Duplex Unit**

**Assembly 18 (cont.): Duplex Unit**

<b>Ref</b>	<b>Part Number</b>	<b>Units</b>	<b>Description</b>
18-34	12G2525	1	Cover
-35	12G2526	1	Polyester Film
-36	12G2527	1	Washer
-B		1	Parts Packet 2, PN 12G3401
-C		1	Parts Packet 3, PN 12G3402
-D		1	Parts Packet 4, PN 12G3403
-E		1	Parts Packet 5, PN 12G3404
-G		1	Parts Packet 7, PN 12G3406



**Assembly 19: Paper Deck Housing**

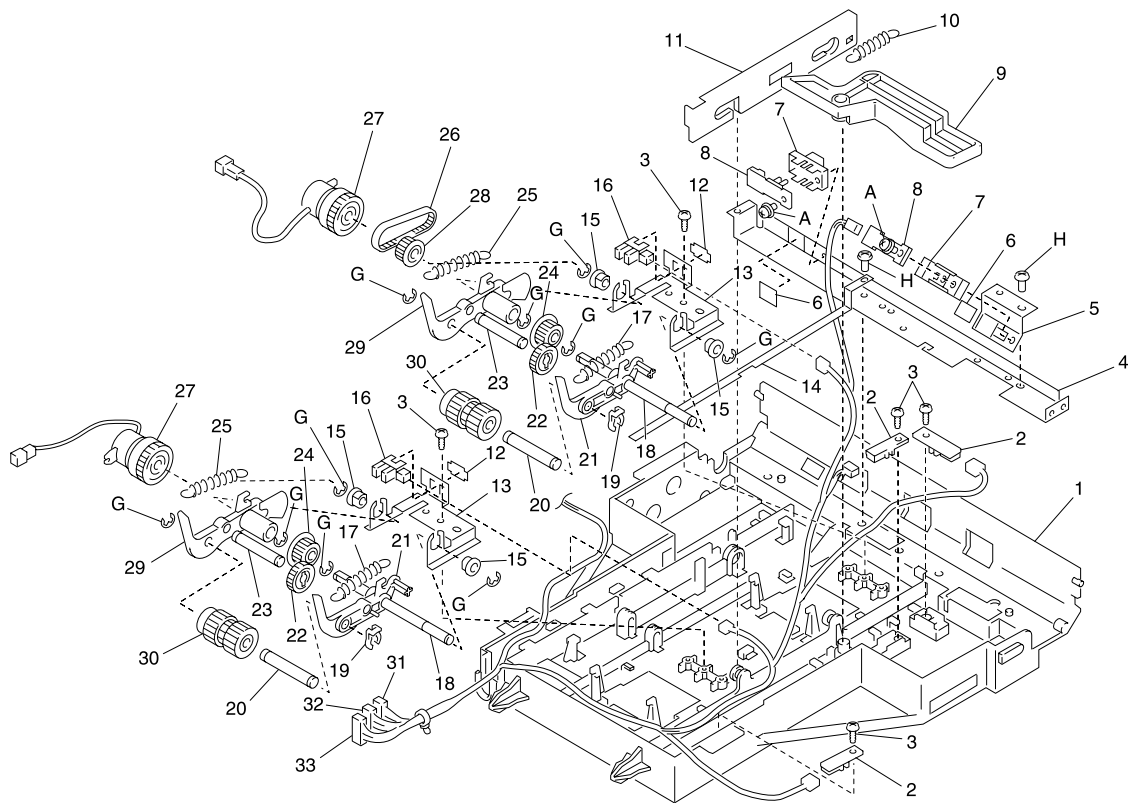
Ref	Part Number	Units	Description
19-1	12G2644	1	Cover
-2	12G2645	1	Sheet
-3	12G2646	1	Sheet
-4	12G2647	1	Right Cover
-5	12G2648	2	Ground Plate
-6	12G2649	2	Shoulder Screw
-7	12G2650	1	Stopper
-8	12G2651	4	Bracket
-9	12G2652	4	Shoulder Screw
-10	12G2653	1	Ground Plate
-11	12G2654	4	Bracket
-12	12G2655	4	Handle
-13	12G2656	1	Cover
-14	12G2657	1	Rear Cover
-15	12G2658	1	Polyester Film
-16	12G2659	1	Holder
-17	12G2660	1	Left Cover
-18	12G2661	2	Cover
-19	12G2662	1	Label Warning
-20	12G2663	2	Regulating Plate
-21	12G2664	2	Shoulder Screw
-22	12G2042	4	Holder
-B		1	Parts Packet 2, PN 12G3401
-C		1	Parts Packet 3, PN 12G3402
-E		1	Parts Packet 5, PN 12G3404
-H		1	Parts Packet 8, PN 12G3407





**Assembly 20: Paper Deck Paper Take-up (A)**

Ref	Part Number	Units	Description
20-1	12G2666	1	Guide Plate
-2	12G2667	3	Photo Interrupter, PPSO-2
-3	12G2664	5	Shoulder Screw
-4	12G2668	1	Reinforce Plate
-5	12G2669	1	Bracket
-6	12G2670	2	Polyester Film
-7	12G2671	2	Holder
-8	12G2672	2	Photo Interrupter, RSEN, S1
-9	12G2673	1	Arm
-10	12G2674	1	Tension Spring
-11	12G2675	1	Arm
-12	12G2676	2	Stopper
-13	12G2677	2	Bracket
-14	12G2678	1	Ground Plate
-15	12G2679	4	Bushing
-16	12G2680	2	Photo Interrupter, LS1,LS2
-17	12G2681	2	Tension Spring
-18	12G2682	2	Shaft
-19	12G2683	2	Stopper Ring
-20	12G2684	2	Shaft
-21	12G2685	2	Arm
-22	12G2686	2	Gear 26 T
-23	12G2687	2	Shaft
-24	12G2688	2	Pulley 20 T
-25	12G2689	2	Tension Spring
-26	12G2690	1	Timing Belt
-27	12G2691	2	Clutch, P1CL, P2CL
-28	12G2692	1	Pulley 18 T
-29	12G2693	2	Arm
-30	12G2694	2	Roller, Paper Transport
-31	12G2695	1	Harness
-32	12G2696	1	Harness
-33	12G2697	1	Harness

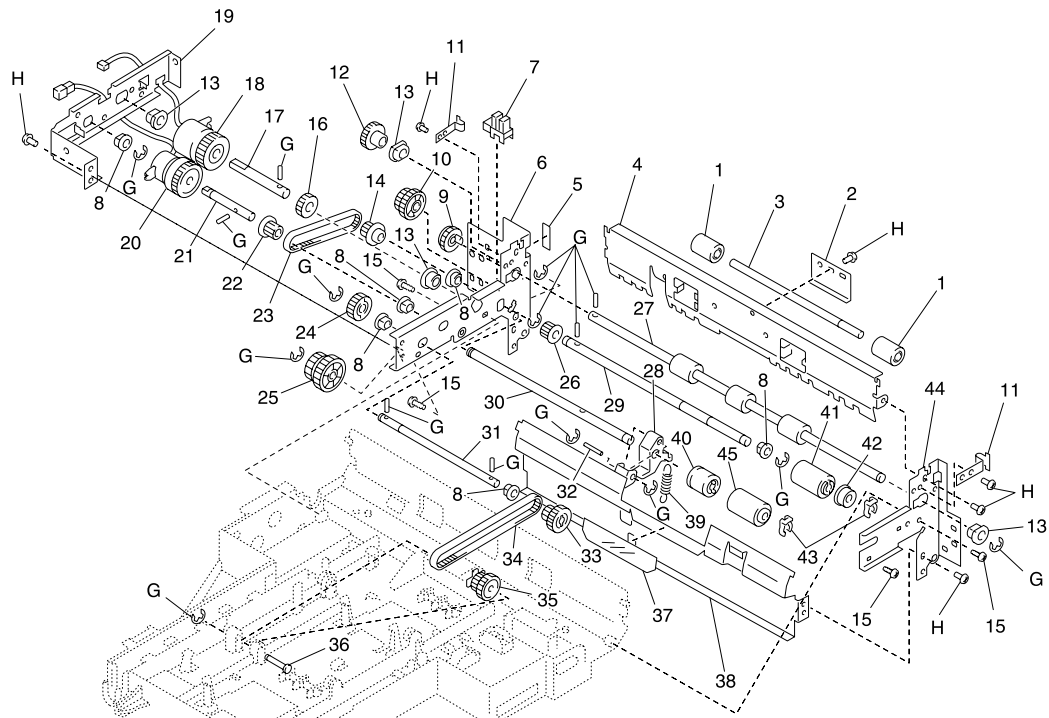
**Assembly 20 (cont.): Paper Deck Paper Take-up (A)**

4023-001

**Assembly 20 (cont.): Paper Deck Paper Take-up (A)**

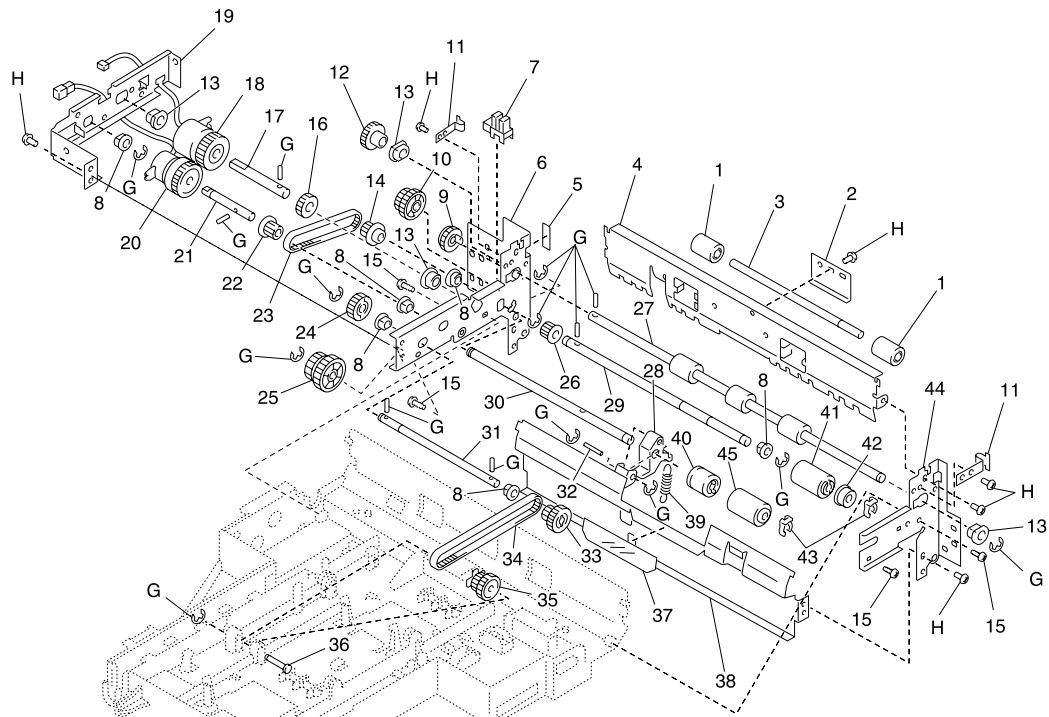
<b>Ref</b>	<b>Part Number</b>	<b>Units</b>	<b>Description</b>
20-A		1	Parts Packet 1, PN 12G3400
-G		1	Parts Packet 7, PN 12G3406
-H		1	Parts Packet 8, PN 12G3407

# Assembly 21: Paper Deck Paper Take-up (B)



**Assembly 21: Paper Deck Paper Take-up (B)**

Ref	Part Number	Units	Description
21-1	12G2700	2	Roller, Paper
-2	12G2701	1	Plate Spring
-3	12G2702	1	Shaft
-4	12G2703	1	Bracket
-5	12G2704	1	Label
-6	12G2705	1	Axel Plate
-7	12G2680	1	Photo Interrupter, Side, Door Close
-8	12G2679	6	Bushing
-9	12G2706	1	Gear 18 T
-10	12G2707	1	Gear 22/28 T
-11	12G2708	2	Plate Spring
-12	12G2709	1	Gear 26 T
-13	12G2710	4	Bush
-14	12G2711	1	Pulley 20 T
-15	12G2664	4	Shoulder Screw
-16	12G2712	1	Gear 20 T
-17	12G2713	1	Shaft
-18	12G2714	1	Clutch RCL, Registration
-19	12G2715	1	Bracket
-20	12G2716	1	Clutch BCL, Separation
-21	12G2717	1	Shaft
-22	12G2718	1	Pulley 18 T
-23	12G2719	1	Timing Belt
-24	12G2720	1	Gear 24 T
-25	12G2721	1	Gear 20/35 T
-26	12G2722	1	Pulley 14 T
-27	12G2723	1	Roller
-28	12G2724	1	Lever
-29	12G2725	1	Shaft
-30	12G2726	1	Shaft
-31	12G2727	1	Shaft
-32	12G2728	1	Shaft
-33	12G2729	1	Ply Gear 14/26 T

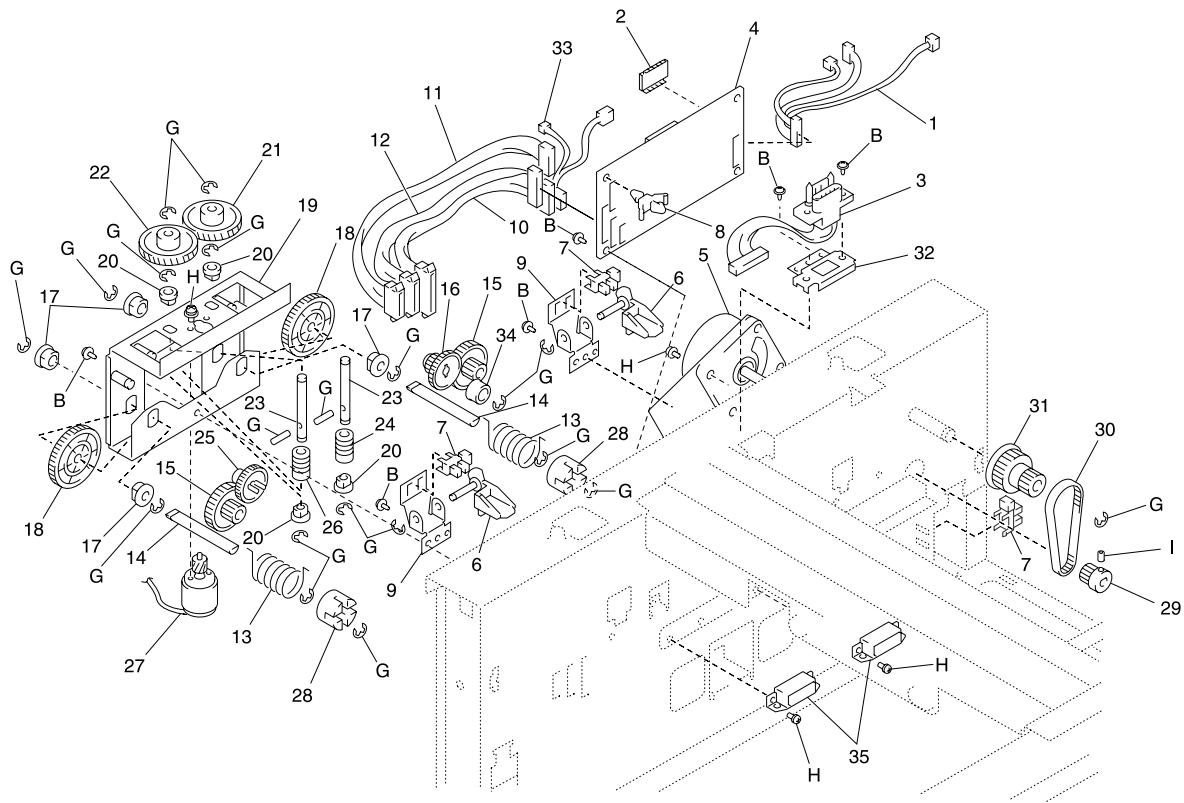
**Assembly 21 (cont.): Paper Deck Paper Take-up (B)**

**Assembly 21 (cont.): Paper Deck Paper Take-up (B)**

Ref	Part Number	Units	Description
21-34	12G2730	1	Timing Belt
-35	12G2731	1	Ply Gear 14/26 T
-36	12G2732	1	Shaft
-37	12G2733	1	Polyester Film
-38	12G2734	1	Bracket
-39	12G2735	1	Tension Spring
-40	12G2736	1	Arbor Asm
-41	12G2737	1	Roller, Paper Take-up
-42	12G2738	1	Clutch
-43	12G2683	2	Stopper Ring
-44	12G2739	1	Frame
-45	12G2740	1	Roller, Paper Take-up
-G		1	Parts Packet 7, PN 12G3406
-H		1	Parts Packet 8, PN 12G3407

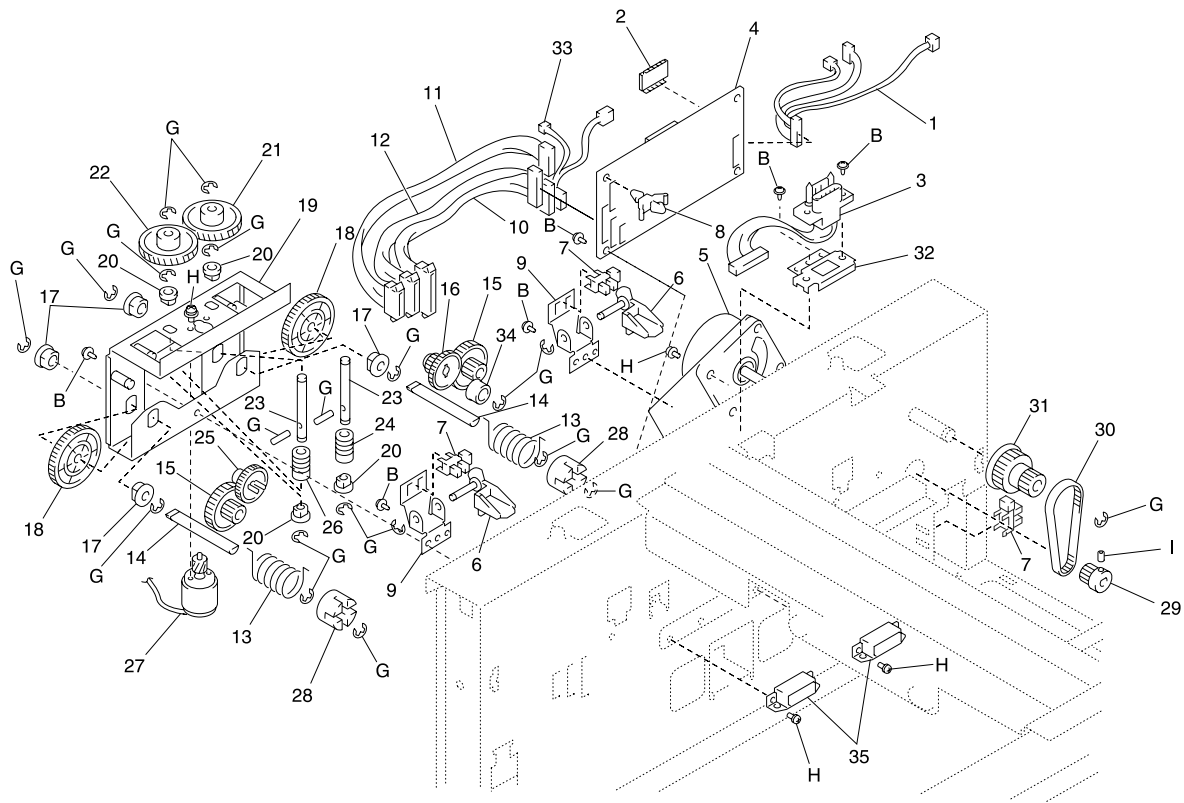


# Assembly 22: Paper Deck Drive



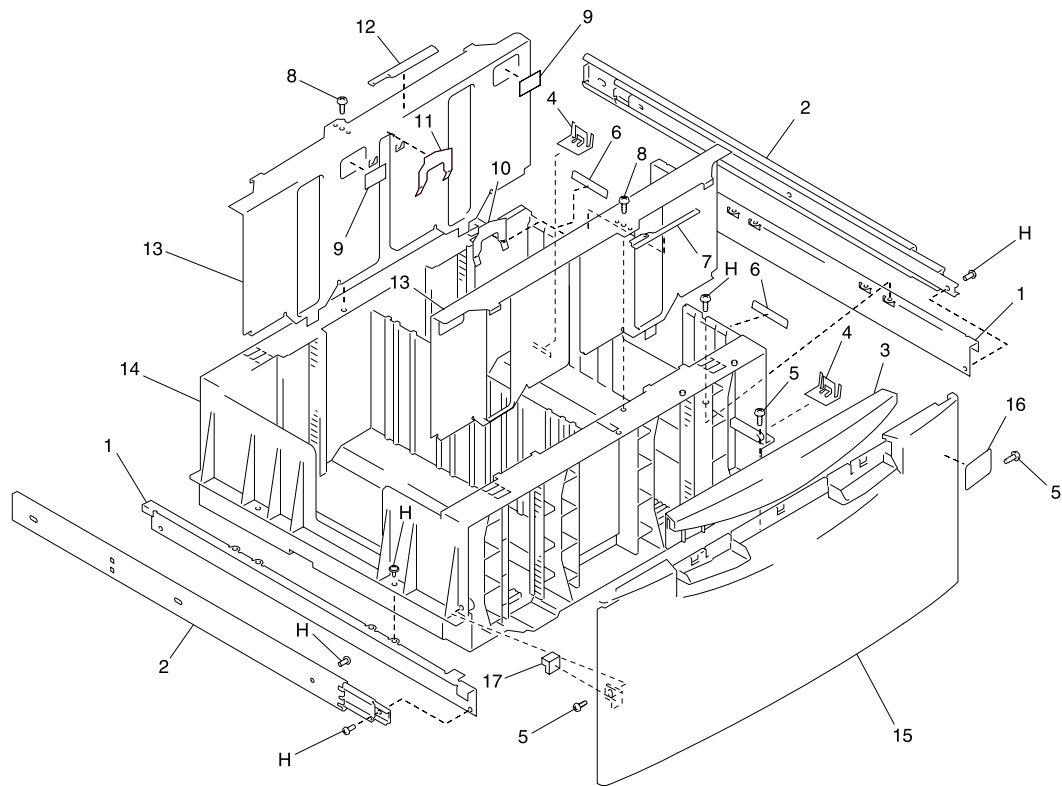
## Assembly 22: Paper Deck Drive

Ref	Part Number	Units	Description
22-1	12G2745	1	Harness
-2	12G2746	1	IC
-3	12G2747	1	Harness
-4	12G2748	1	PWB-A, Drive Board  <b>Note:</b> Remove IC (reference 2) from old board and place on new board.
-5	12G2749	1	Motor, HMOT Paper Transport
-6	12G2750	2	Lever
-7	12G2680	1	Photo Interrupter, RS1, RS2 Front
-8	12G2751	3	PWB Support
-9	12G2752	2	Bracket
-10	12G2753	1	Harness
-11	12G2754	1	Harness
-12	12G2755	1	Harness
-13	12G2756	2	Pressure Spring
-14	12G2757	2	Shaft
-15	12G2758	2	Gear 16/32 T
-16	12G2759	1	Gear 16/32 T
-17	12G2806	4	Bush
-18	12G2760	2	Gear 58 T
-19	12G2761	1	Axle Plate
-20	12G2679	4	Bushing
-21	12G2762	1	Gear 72 T
-22	12G2763	1	Gear 72 T
-23	12G2764	2	Shaft
-24	12G2765	1	Worm Gear
-25	12G2766	1	Gear 16/32 T
-26	12G2767	1	Worm Gear
-27	12G2768	1	Motor, EMOT Paper Lift
-28	12G2769	2	Holder
-29	12G2770	1	Pulley 18 T
-30	12G2771	1	Timing Belt
-31	12G2772	1	Ply Gear 16/50 T

**Assembly 22 (cont.): Paper Deck Drive**

**Assembly 22 (cont.): Paper Deck Drive**

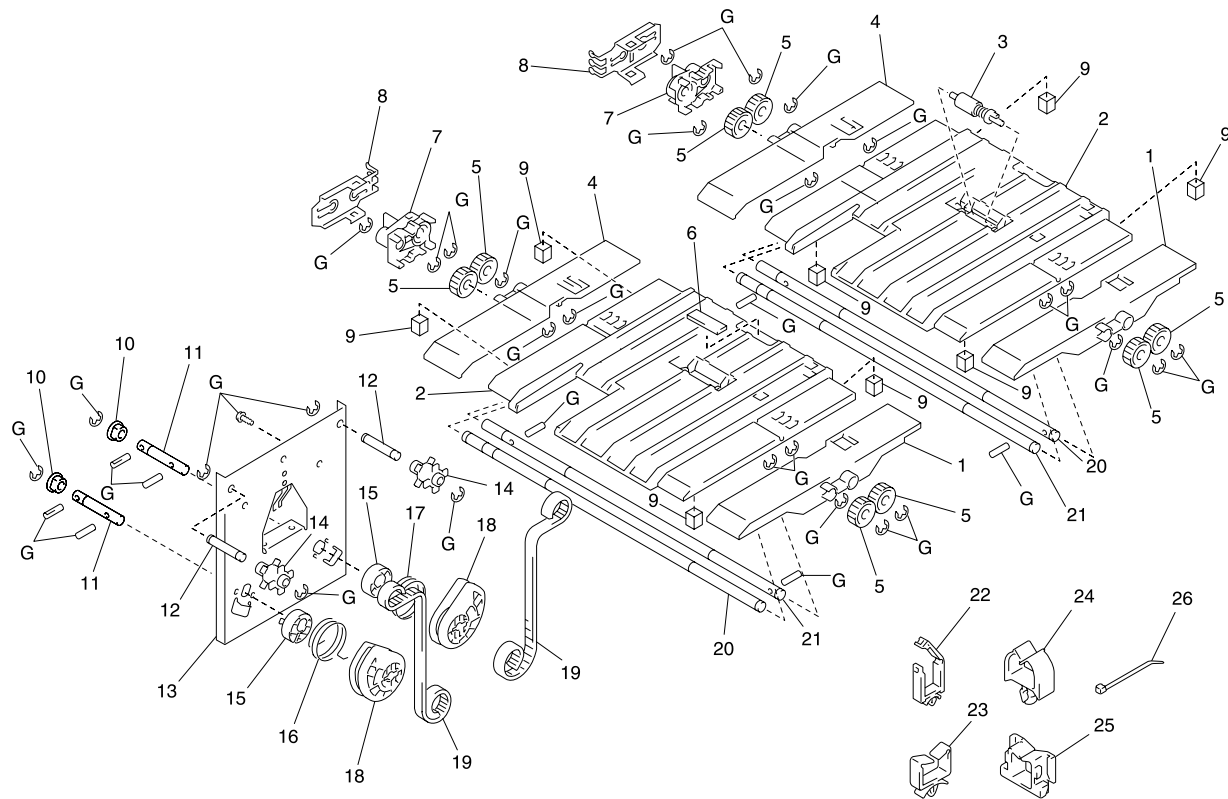
<b>Ref</b>	<b>Part Number</b>	<b>Units</b>	<b>Description</b>
22-32	12G2773	1	Bracket
-33	12G2774	1	Harness
-34	12G2775	1	Arbor
-35	12G2776	2	Magnet Catch
-B		1	Parts Packet 2, PN 12G3401
-G		1	Parts Packet 7, PN 12G3406
-H		1	Parts Packet 8, PN 12G3407
-I		1	Parts Packet 9, PN 12G3408

**Assembly 23: Paper Deck Paper Tray (A)**

**Assembly 23: Paper Deck Paper Tray (A)**

Ref	Part Number	Units	Description
23-1	12G2779	2	Bracket
-2	12G2780	2	Rail
-3	12G2621	1	Handle
-4	12G2781	2	Ground Plate
-5	12G2782	3	Shoulder Screw
-6	12G2783	2	Polyester Film
-7	12G2784	1	Holder
-8	12G2664	2	Shoulder Screw
-9	12G2785	2	Label Max Level
-10	12G2786	1	Polyester Film
-11	12G2787	1	Polyester Film
-12	12G2788	1	Holder
-13	12G2789	2	Regulating Plate
-14	12G2790	1	Cassette Body
-15	12G2791	1	Front Cover
-16	12G2792	1	Label A4
-16	12G2793	1	Label Letter
-17	12G2794	1	Stopper
-H		1	Parts Packet 8, PN 12G3407

# Assembly 24: Paper Deck Paper Tray (B)

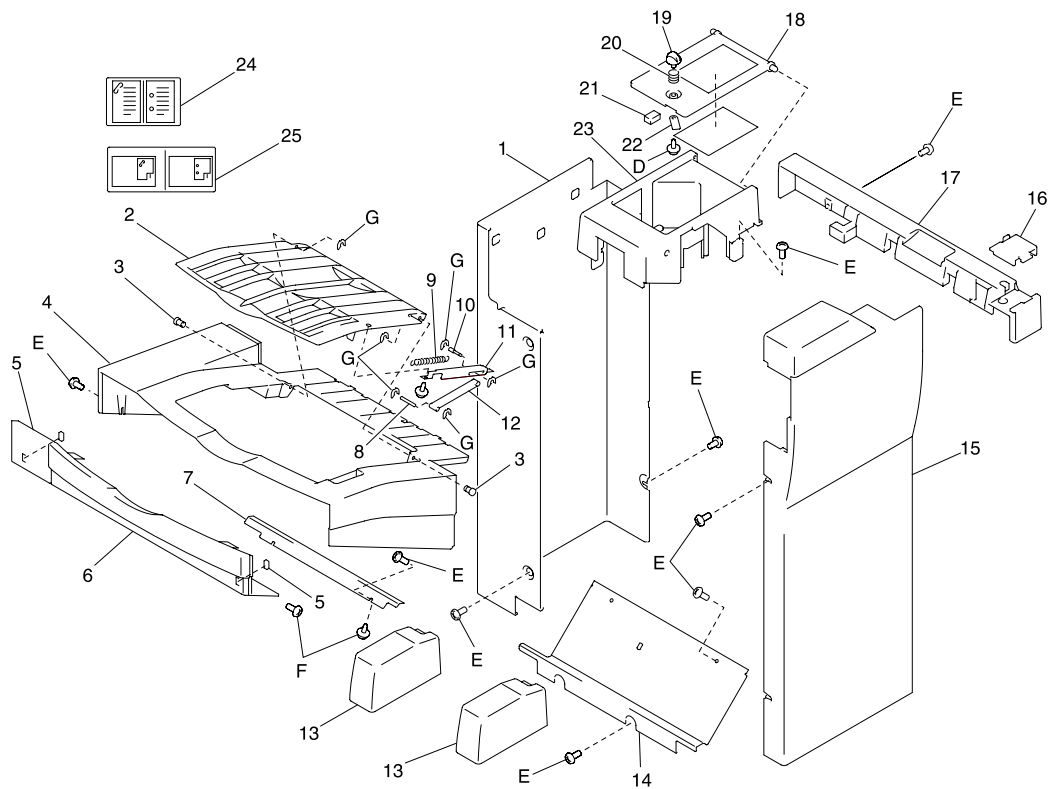


**Assembly 24: Paper Deck Paper Tray (B)**

Ref	Part Number	Units	Description
24-1	12G2797	2	Holder
-2	12G2798	2	Guide Plate
-3	12G2799	1	Roll Asm
-4	12G2800	2	Holder
-5	12G2801	8	Gear 24 T
-6	12G2802	1	Pad
-7	12G2803	2	Pulley 20 T
-8	12G2804	2	Ground Plate
-9	12G2805	8	Cushion
-10	12G2806	2	Bush
-11	12G2807	2	Shaft
-12	12G2808	2	Shaft
-13	12G2809	1	Bracket
-14	12G2810	2	Cam
-15	12G2811	2	Holder
-16	12G2812	1	Torsion Spring
-17	12G2813	1	Torsion Spring
-18	12G2814	2	Pulley 32 T
-19	12G2815	2	Timing Belt
-20	12G2816	2	Shaft
-21	12G2817	2	Shaft
-22	12G2818	5	Wiring Saddle
-23	12G2819	6	Wiring Saddle
-24	12G2820	4	Wiring Saddle
-24	12G2821	5	Cord Clamp
-25	12G2822	1	Edge Cover
-25	12G2823	2	Edge Cover
-26	12G2824	6	Cable Tie
-G		1	Parts Packet 7, PN 12G3406
-H		1	Parts Packet 8, PN 12G3407



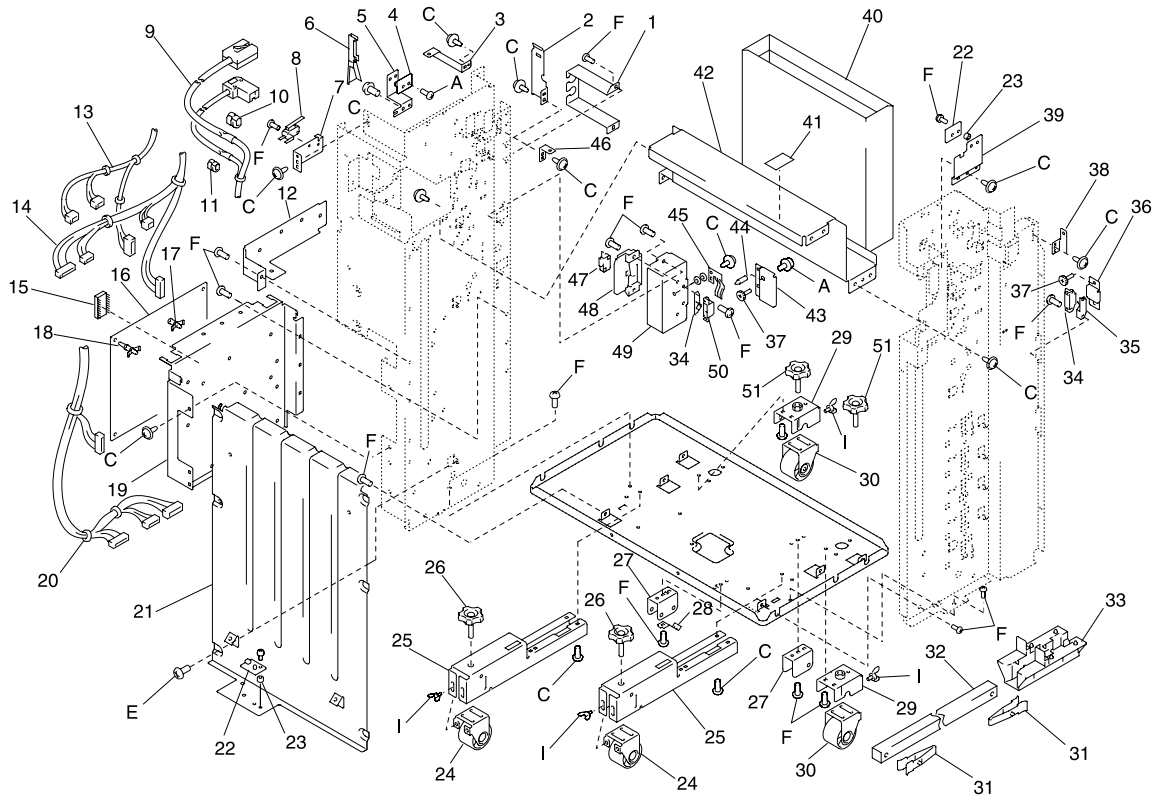
# Assembly 25: Finisher Housing



**Assembly 25: Finisher Housing**

Ref	Part Number	Units	Description
25-1	12G3034	1	Rear Cover
-2	12G3035	1	Tray
-3	12G3036	2	Stud
-4	12G3037	1	Tray
-5	12G3038	2	Cushion
-6	12G3039	1	Cover
-7	12G3040	1	Plate
-8	12G3041	1	Shaft
-9	12G3042	1	Tension Spring
-10	12G3043	1	Shaft
-11	12G3044	1	Slide Plate
-12	12G3045	1	Stay
-13	12G3046	2	Cover
-14	12G3047	1	Left Cover-lwr
-15	12G3048	1	Front Cover
-16	12G3049	1	Cover
-17	12G3050	1	Right Cover-upr
-18	12G3051	1	Cover
-19	12G3052	1	Knob
-20	12G3053	1	Pressure Spring
-21	12G2875	1	Rubber Strip
-22	12G3054	1	Plate
-23	12G3055	1	Rear Cover-upr
-24	12G3056	1	Label Position
-24	12G3057	1	Label Position
-24	12G3058	1	Label Position
-25	12G3059	1	Label Position
-25	12G3060	1	Label Position
-25	12G3061	1	Label Position
-D		1	Parts Packet 4, PN 12G3403
-E		1	Parts Packet 5, PN 12G3404
-F		1	Parts Packet 6, PN 12G3405
-G		1	Parts Packet 7, PN 12G3406

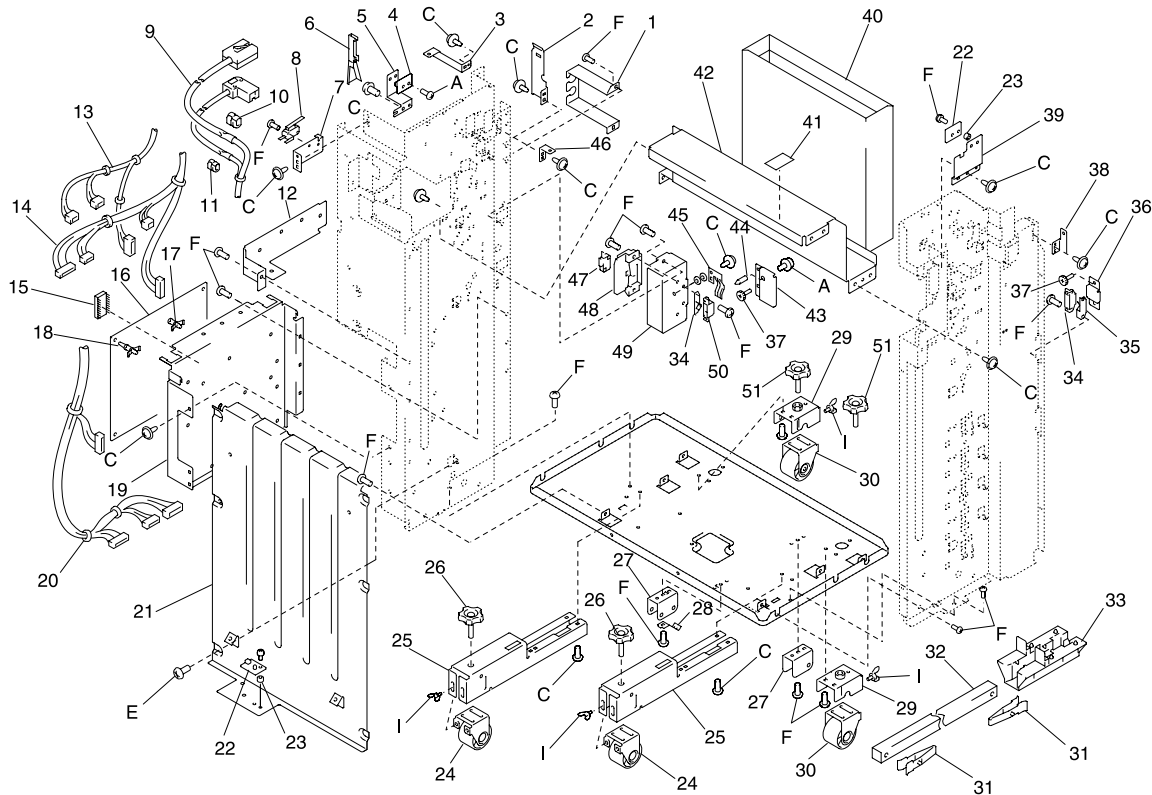
# Assembly 26: Finisher Frames



**Assembly 26: Finisher Frames**

Ref	Part Number	Units	Description
26-1	12G3062	1	Holder
-2	12G3063	1	Bracket
-3	12G3064	1	Bracket
-4	12G3065	1	PW Board-F, PWB-F
-5	12G3066	1	Bracket
-6	12G3067	1	Guide
-7	12G3068	1	Bracket
-8	12G3069	1	Microswitch, S4 Staple Door
-9	12G3070	1	Harness
-10	12G2949	1	Cord Bushing
-11	12G2951	1	Cord Bushing
-12	12G3071	1	Guide Plate
-13	12G3072	1	Harness
-14	12G3073	1	Harness
-15	12G3074	1	IC, PWB-A IC3
-16	12G3075	1	PWB-A, Control Board
-17	12G3076	6	PWB Support
-18	12G3077	4	PWB Support 12.7h
-19	12G3078	1	Mounting Plate
-20	12G3079	1	Harness
-21	12G3080	1	Plate
-22	12G3081	2	PWB-E, LED Board
-23	12G3082	4	Collar
-24	12G2859	2	Caster
-25	12G3083	2	Mounting Plate
-26	12G2858	2	Adjusting Bolt
-27	12G3084	2	Bracket
-28	12G3085	1	Plate Spring
-29	12G3086	2	Bracket
-30	12G3087	2	Caster
-31	12G2863	2	Stopper
-32	12G2865	1	Pipe
-33	12G2834	1	Holder

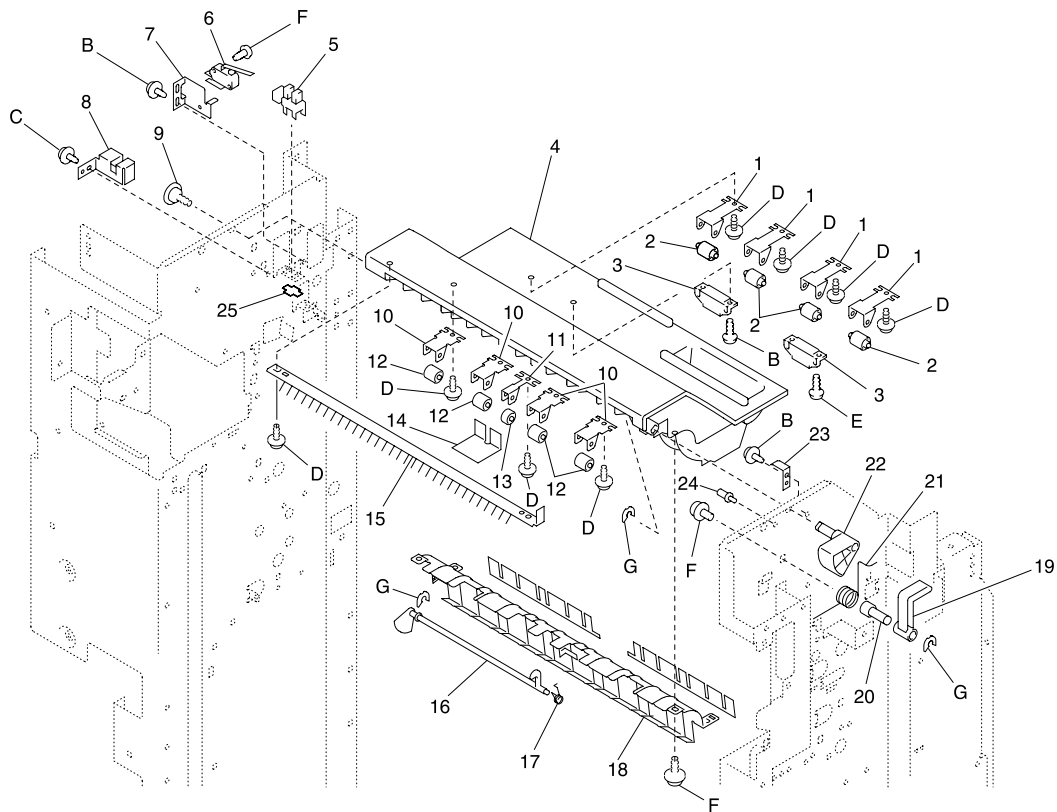
# Assembly 26 (cont.): Finisher Frames



**Assembly 26 (cont.): Finisher Frames**

Ref	Part Number	Units	Description
26-34	12G2873	1	Magnet Catch
-35	12G2872	2	Ground Plate
-36	12G3088	1	Bracket
-37	12G2939	3	Shoulder Screw
-38	12G3089	1	Bracket
-39	12G3090	1	Plate
-40	12G3091	1	Punch Trash Box
-41	12G3092	1	Tape
-42	12G3093	1	Mounting Plate
-43	12G3094	1	Bracket
-44	12G2068	1	Pin
-45	12G3095	1	Plate Spring
-46	12G3096	1	Bracket
-47	12G3097	1	Microswitch, S6
-48	12G2960	1	Holder
-49	12G3098	1	Bracket
-50	12G3104	1	Magnet Catch
-51	12G3099	2	Adjusting Bolt
-A		1	Parts Packet 1, PN 12G3400
-C		1	Parts Packet 3, PN 12G3402
-E		1	Parts Packet 5, PN 12G3404
-F		1	Parts Packet 6, PN 12G3405
-I		1	Parts Packet 9, PN 12G3408

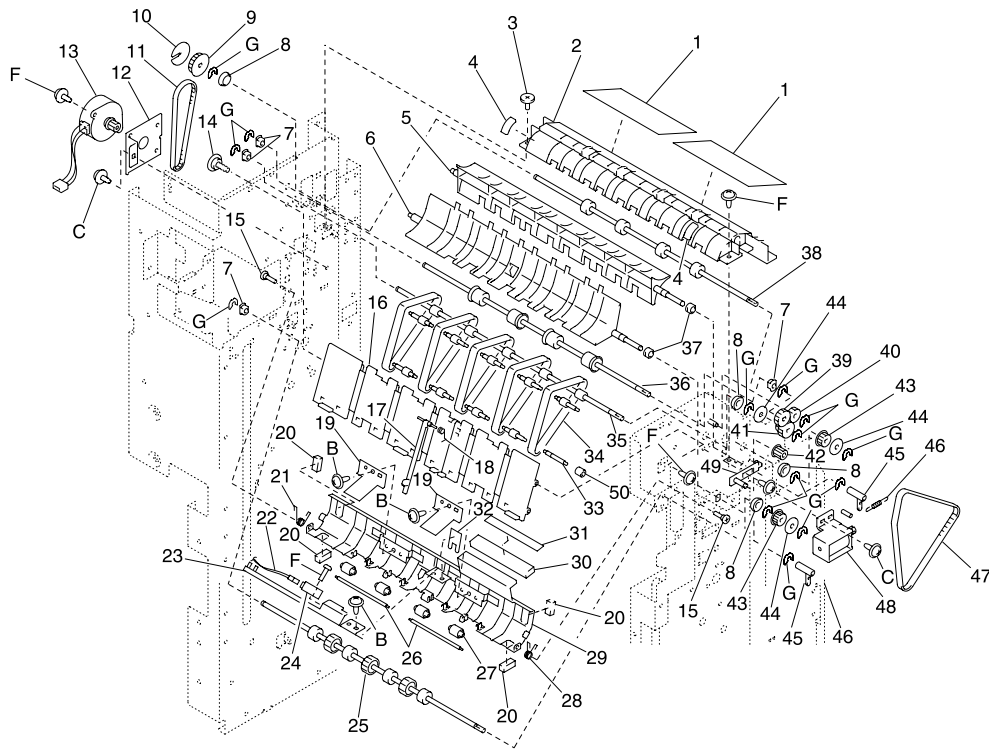
# Assembly 27: Finisher Paper Transport (A)



**Assembly 27: Finisher Paper Transport (A)**

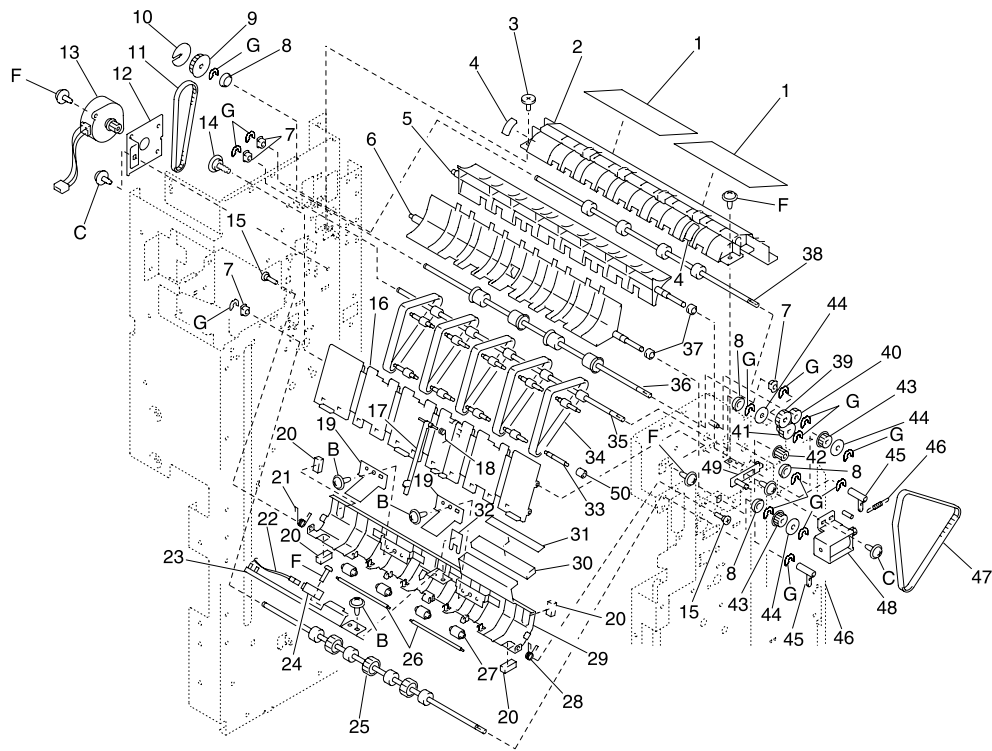
Ref	Part Number	Units	Description
27-1	12G3103	4	Plate Spring
-2	12G2907	4	Roll
-3	12G3104	2	Magnet Catch
-4	12G3105	1	Guide
-5	12G3106	1	Photo Interrupter, PC1
-6	12G3069	1	Upper Cover, S1
-7	12G3107	1	Bracket
-8	12G3108	1	Cover
-9	12G3109	1	Shoulder Screw
-10	12G3110	4	Plate Spring
-11	12G3111	1	Plate Spring
-12	12G2931	4	Roll
-13	12G3112	1	Roll
-14	12G3113	1	Polyester Film
-15	12G3114	1	Neutralizing Brush
-16	12G3115	1	Actuator
-17	12G3116	1	Torsion Spring
-18	12G3117	1	Guide Plate
-19	12G3118	1	Arm
-20	12G3119	1	Shaft
-21	12G3120	1	Torsion Spring
-22	12G3121	1	Cam
-23	12G3122	1	Plate Spring
-24	12G3123	1	Shoulder Screw
-25	12G2173	1	Stopper
-B		1	Parts Packet 2, PN 12G3401
-C		1	Parts Packet 3, PN 12G3402
-D		1	Parts Packet 4, PN 12G3403
-E		1	Parts Packet 5, PN 12G3404
-F		1	Parts Packet 6, PN 12G3405
-G		1	Parts Packet 7, PN 12G3406



**Assembly 28: Finisher Paper Transport (B)**

**Assembly 28: Finisher Paper Transport (B)**

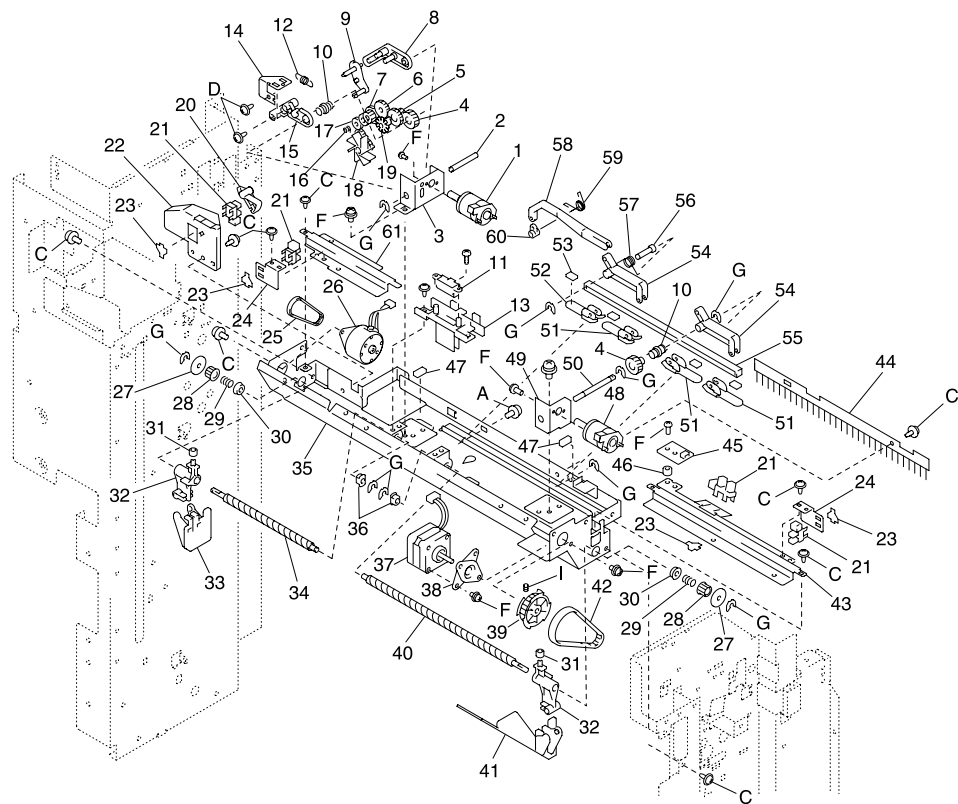
Ref	Part Number	Units	Description
28-1	12G3124	2	Polyester Film
-2	12G3125	1	Guide
-3	12G2911	1	Shoulder Screw
-4	12G3126	2	Sponge
-5	12G3127	1	Guide
-6	12G3128	1	Guide
-7	12G2971	4	Bushing
-8	12G3129	4	Ball Bearing
-9	12G3130	1	Pulley 32t
-10	12G3131	1	Flange
-11	12G3132	1	Timing Belt
-12	12G3133	1	Bracket
-13	12G3134	1	Motor, M2 Transport, Upper Exit
-14	12G3135	2	Shoulder Screw
-15	12G3136	2	Shoulder Screw
-16	12G3137	1	Guide
-17	12G3138	1	Actuator
-18	12G3139	1	Torsion Spring
-19	12G3140	2	Plate Spring
-20	12G3038	4	Cushion
-21	12G3141	1	Torsion Spring
-22	12G3142	1	Harness
-23	12G3143	1	Bracket
-24	12G2999	1	Photo Interrupter, PC3 Finish Tray
-25	12G3144	1	Roller
-26	12G3145	2	Shaft
-27	12G2924	4	Roll
-28	12G3146	1	Torsion Spring
-29	12G3147	1	Guide Plate
-30	12G3148	1	Cover
-31	12G3149	1	Label
-32	12G3150	1	Polyester Film
-33	12G3151	10	Shaft

**Assembly 28 (cont.): Finisher Paper Transport (B)**

**Assembly 28 (cont.): Finisher Paper Transport (B)**

Ref	Part Number	Units	Description
28-34	12G3152	5	Belt
-35	12G3153	1	Roller
-36	12G3154	1	Roller
-37	12G2896	2	Bushing
-38	12G3155	1	Roller
-39	12G3156	1	Gear 28t
-40	12G3157	1	Gear 24t
-41	12G3158	1	Ply Gear 19/28t
-42	12G3159	1	Pulley 15t
-43	12G3160	2	Pulley 19t
-44	12G3161	3	Flange
-45	12G3162	2	Arm
-46	12G3163	2	Tension Spring
-47	12G3164	1	Timing Belt
-48	12G3165	1	Solenoid, Transport SL1
-49	12G3166	1	Bracket
-50	12G3167	10	Roll
-B		1	Parts Packet 2, PN 12G3401
-C		1	Parts Packet 3, PN 12G3402
-F		1	Parts Packet 6, PN 12G3405
-G		1	Parts Packet 7, PN 12G3406

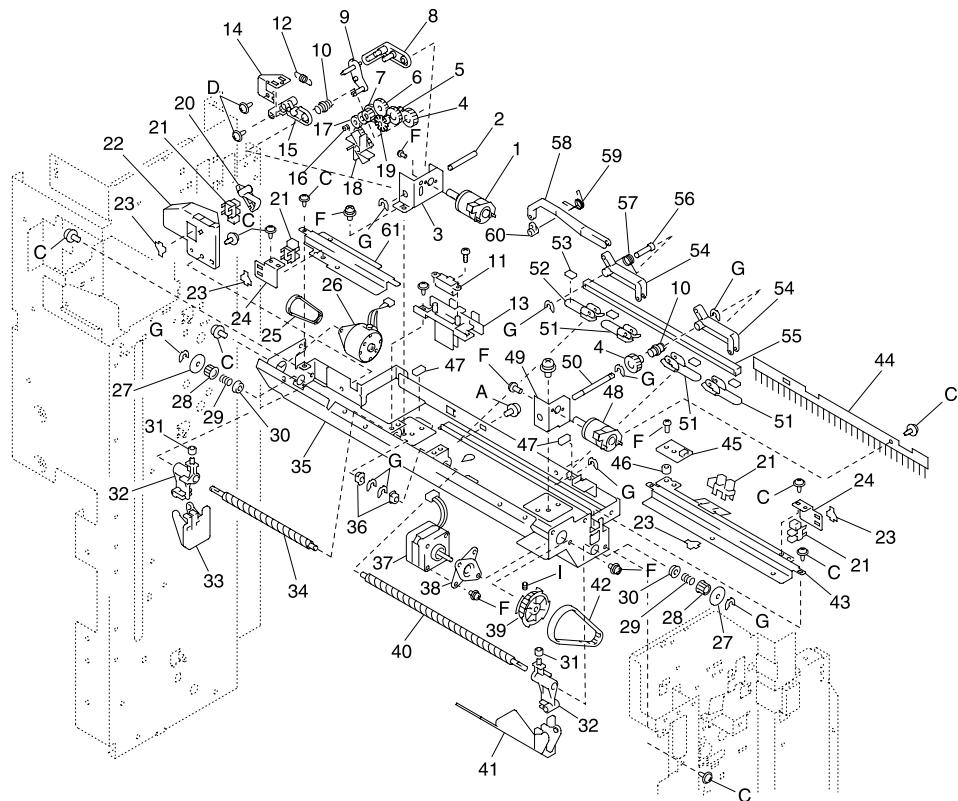
# Assembly 29: Finisher Paper Aligning



**Assembly 29: Finisher Paper Aligning**

Ref	Part Number	Units	Description
29-1	12G3168	1	PWB-Motor, Staple Paddle M6
-2	12G3169	1	Shaft
-3	12G3170	1	Bracket
-4	12G3171	2	Gear 41t
-5	12G3172	1	Gear 25/26t
-6	12G3157	1	Gear 24t
-7	12G3173	1	Gear 18/27t
-8	12G3174	1	Arm
-9	12G3175	1	Arm
-10	12G3176	2	Clutch Spring
-11	12G3177	1	Photo Switch, Top Position PC12
-12	12G3178	1	Tension Spring
-13	12G3179	1	Holder
-14	12G3180	1	Bracket
-15	12G3181	1	Arm
-16	12G3182	1	Torsion Spring
-17	12G3183	3	Gear 19t
-18	12G3184	1	Paddle
-19	12G3185	1	Actuator
-20	12G3186	1	Actuator
-21	12G3106	4	Photo Interrupter, PC4-PC7
-22	12G3187	1	Guide
-23	12G2102	4	Stopper
-24	12G3188	2	Bracket
-25	12G3189	1	Timing Belt
-26	12G3190	1	Motor, Shift M5
-27	12G3191	2	Flange
-28	12G3192	2	Pulley 22t
-29	12G3193	2	Pressure Spring
-30	12G2844	2	Ball Bearing
-31	12G3507	2	Roll
-32	12G3194	2	Slider
-33	12G3195	1	Stopper

# Assembly 29 (cont.): Finisher Paper Aligning

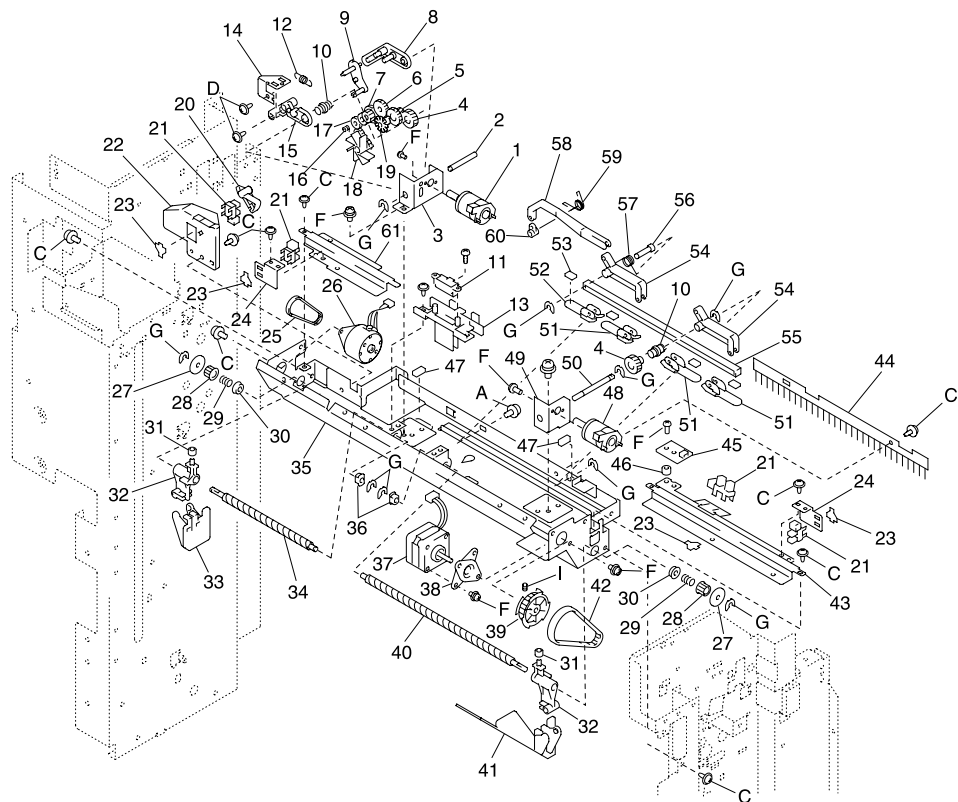


**Assembly 29 (cont.): Finishing Paper Aligning**

Ref	Part Number	Units	Description
29-34	12G3196	1	Spiral Roller
-35	12G3197	1	Frame
-36	12G2971	2	Bushing
-37	12G3198	1	Motor, Aligning M4
-38	12G3199	1	Cushion
-39	12G3200	1	Pulley 72t
-40	12G3201	1	Spiral Roller
-41	12G3202	1	Stopper
-42	12G3203	1	Timing Belt
-43	12G3204	1	Rail
-44	12G3205	1	Neutralizing Brush
-45	12G3065	1	PW Board-F, PWB-F
-46	12G3082	2	Collar
-47	12G3038	2	Cushion
-48	12G3206	1	PWB-Motor, Curl Control M7
-49	12G3207	1	Bracket
-50	12G3208	1	Shaft
-51	12G3209	3	Lever
-52	12G3210	1	Lever
-53	12G3211	4	Cushion
-54	12G3212	2	Arm
-55	12G3213	1	Holder
-56	12G3214	1	Shaft
-57	12G3215	1	Torsion Spring
-58	12G3216	1	Lever
-59	12G3217	1	Torsion Spring
-60	12G3218	1	Link
-61	12G3219	1	Rail



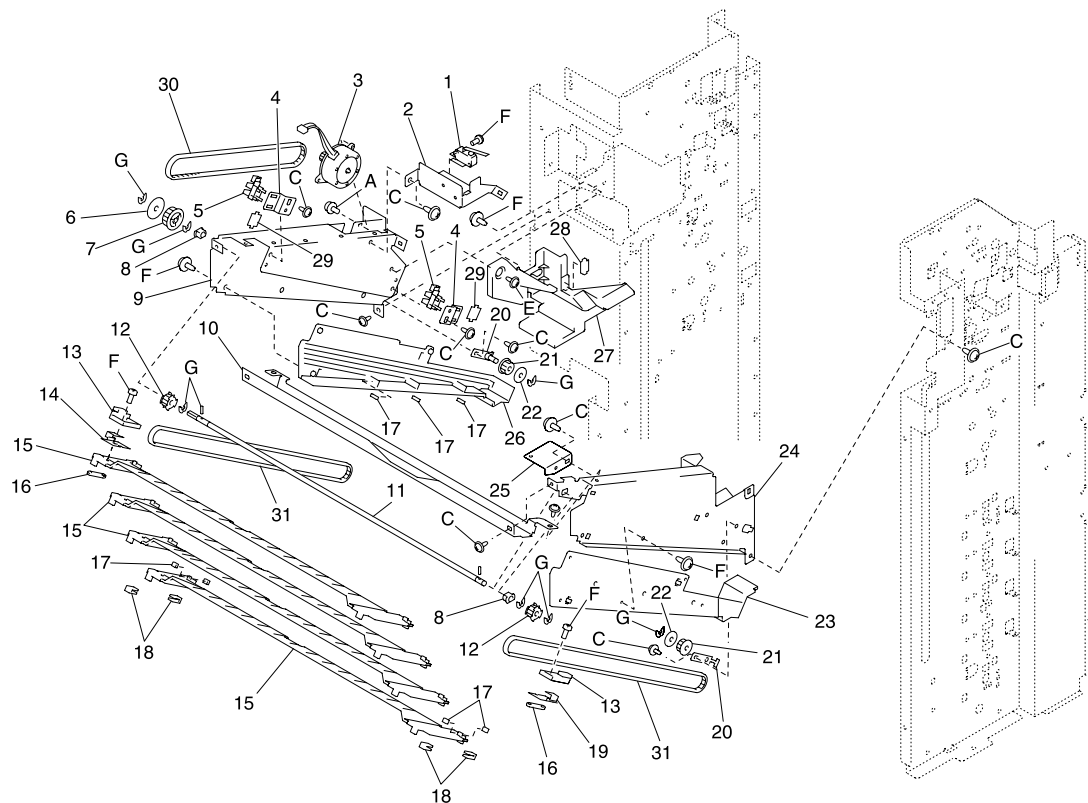
# Assembly 29 (cont.): Finisher Paper Aligning



**Assembly 29 (cont.): Finishing Paper Aligning**

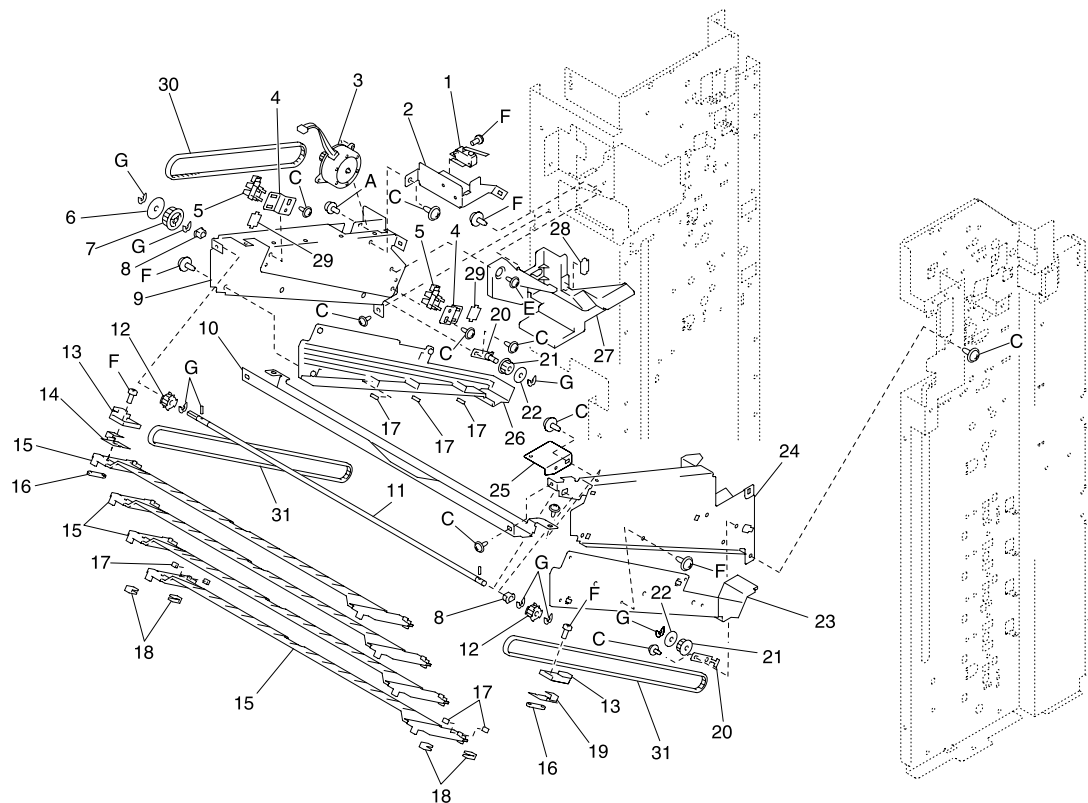
<b>Ref</b>	<b>Part Number</b>	<b>Units</b>	<b>Description</b>
29-A		1	Parts Packet 1, PN 12G3400
-C		1	Parts Packet 3, PN 12G3402
-D		1	Parts Packet 4, PN 12G3403
-F		1	Parts Packet 6, PN 12G3405
-G		1	Parts Packet 7, PN 12G3406
-I		1	Parts Packet 9, PN 12G3408

# Assembly 30: Finisher Assistance Tray



**Assembly 30: Finisher Assistance Tray**

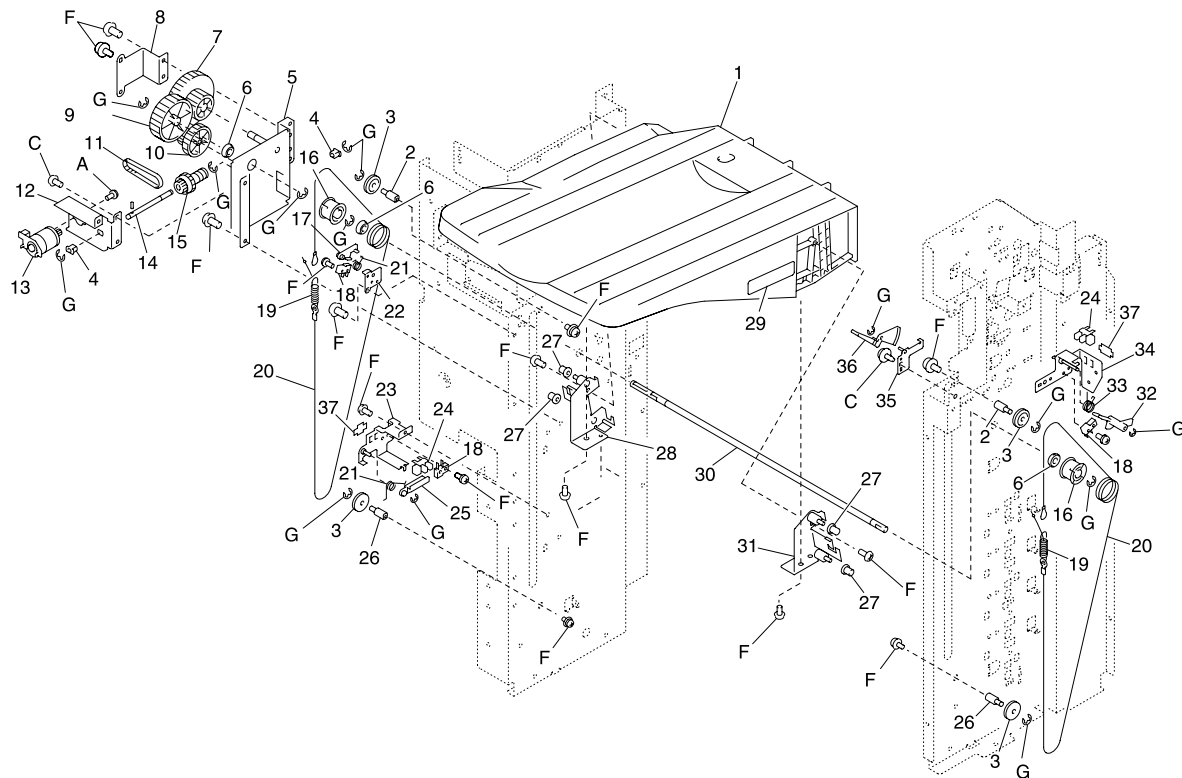
Ref	Part Number	Units	Description
30-1	12G3069	1	Microswitch, S7 1st Tray Door
-2	12G3223	1	Bracket
-3	12G3224	1	Motor, Paper Holding Tray M10
-4	12G3225	2	Bracket
-5	12G3106	2	Photo Interrupter, PC9, PC10
-6	12G3226	1	Flange
-7	12G3227	1	Pulley 28t
-8	12G2971	2	Bushing
-9	12G3228	1	Frame
-10	12G3229	1	Frame
-11	12G3230	1	Shaft
-12	12G3231	2	Pulley 19t
-13	12G3232	2	Holder
-14	12G3233	1	Bracket
-15	12G3234	4	Sub Tray
-16	12G3235	2	Plate Nut
-17	12G3236	18	Cushion
-18	12G3237	16	Slider
-19	12G3238	1	Reinforce Plate
-20	12G3239	2	Bracket
-21	12G3240	2	Pulley 19t
-22	12G3161	2	Flange
-23	12G3241	1	Rail
-24	12G3242	1	Frame
-25	12G3243	1	Plate
-26	12G3244	1	Rail
-27	12G3245	1	Support
-28	12G3246	1	Sheet
-29	12G2102	2	Stopper
-30	12G3247	1	Timing Belt
-31	12G3248	2	Timing Belt

**Assembly 30 (cont.): Finisher Assistance Tray**

**Assembly 30 (cont.): Finisher Assistance Tray**

<b>Ref</b>	<b>Part Number</b>	<b>Units</b>	<b>Description</b>
30-A		1	Parts Packet 1, PN 12G3400
-C		1	Parts Packet 3, PN 12G3402
-E		1	Parts Packet 5, PN 12G3404
-F		1	Parts Packet 6, PN 12G3405
-G		1	Parts Packet 7, PN 12G3406

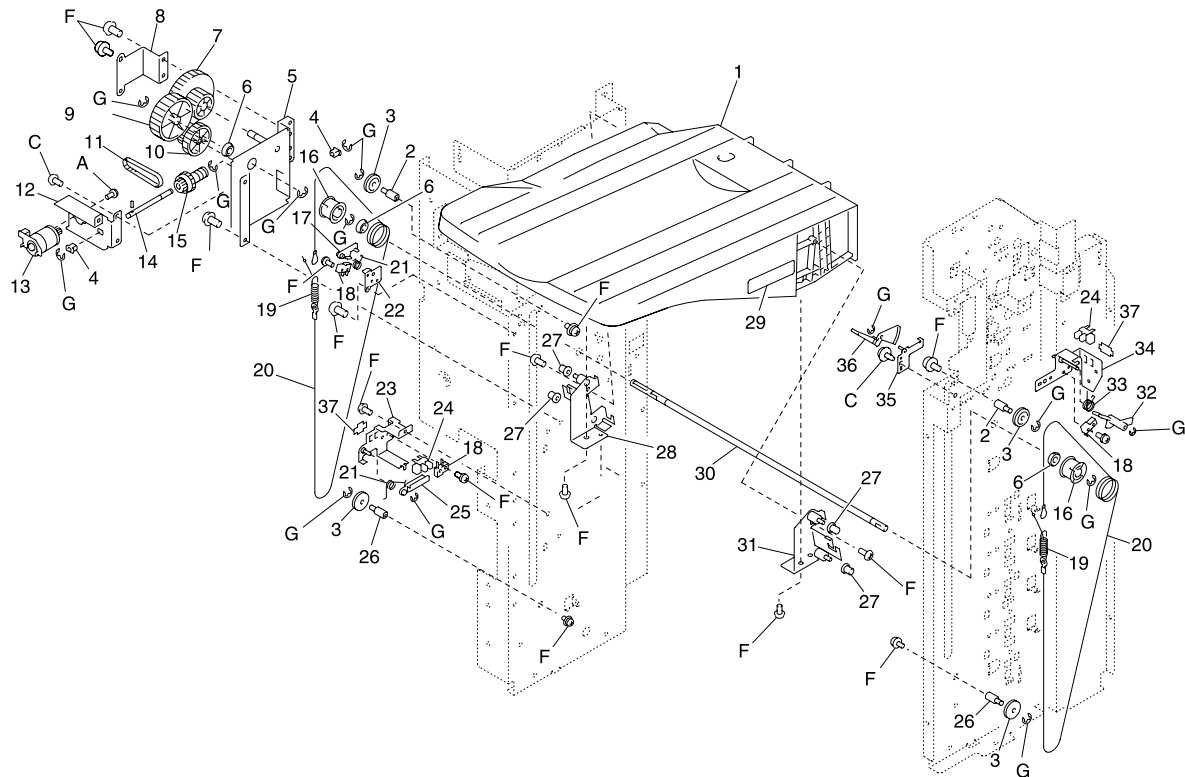
# Assembly 31: Finisher Elevator Tray



**Assembly 31: Finisher Elevator Tray**

Ref	Part Number	Units	Description
31-1	12G3250	1	Tray
-2	12G3251	2	Shaft
-3	12G3252	4	Pulley
-4	12G2971	2	Bushing
-5	12G3253	1	Bracket
-6	12G3254	3	Ball Bearing
-7	12G3255	1	Gear 35/75t
-8	12G3256	1	Reinforce Plate
-9	12G3257	1	Gear 60t
-10	12G3258	1	Gear 28/42t
-11	12G3259	1	Timing Belt
-12	12G3260	1	Bracket
-13	12G3261	1	PWB-Motor, Elevator M9
-14	12G3262	1	Shaft
-15	12G3263	1	Pulley 29t
-16	12G3264	2	Pulley
-17	12G3265	1	Actuator
-18	12G3266	3	Microswitch, S2, S3, S5
-19	12G3267	2	Tension Spring
-20	12G3268	2	Wire
-21	12G3269	2	Torsion Spring
-22	12G3270	1	Bracket
-23	12G3271	1	Bracket
-24	12G3460	2	Photo Interrupter, PC8, PC11
-25	12G3272	1	Actuator
-26	12G3273	2	Shaft
-27	12G3274	4	Bush
-28	12G3275	1	Bracket
-29	12G3276	1	Label
-30	12G3277	1	Shaft
-31	12G3278	1	Bracket
-32	12G3279	1	Lever
-33	12G3280	1	Torsion Spring



**Assembly 31 (cont.): Finisher Elevator Tray**

**Assembly 31 (cont.): Finisher Elevator Tray**

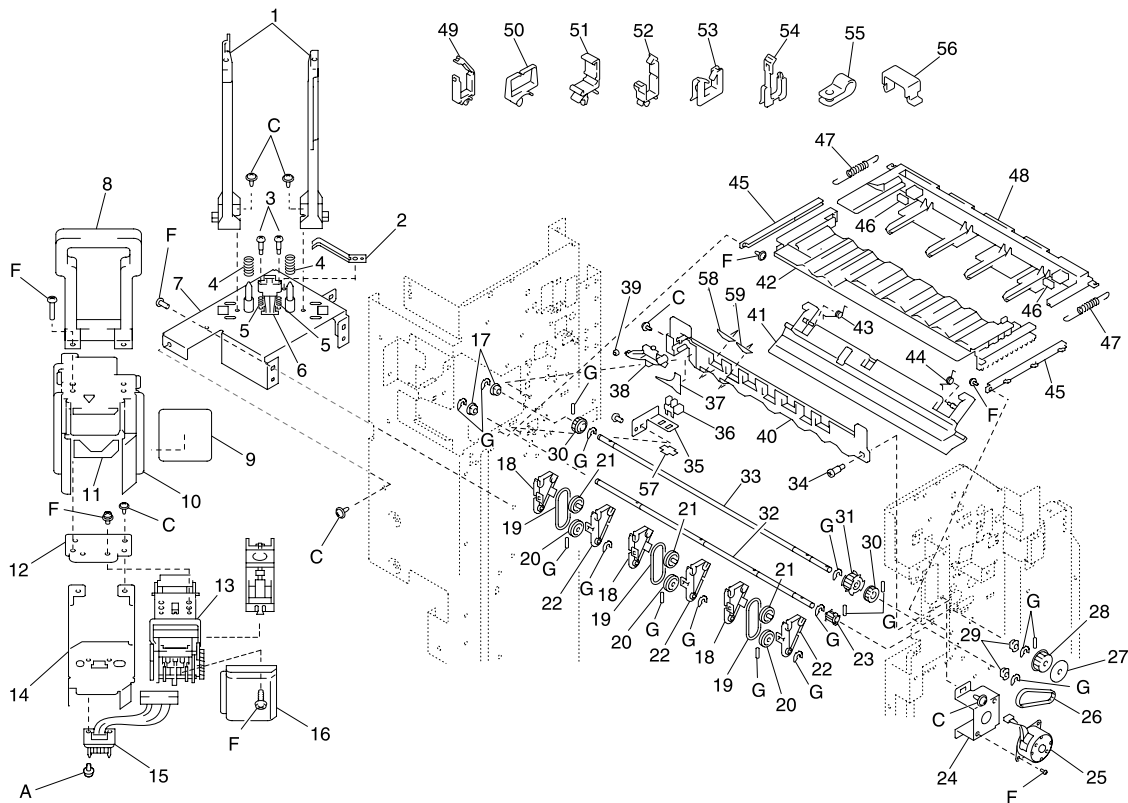
<b>Ref</b>	<b>Part Number</b>	<b>Units</b>	<b>Description</b>
31-34	12G3281	1	Bracket
-35	12G3282	1	Bracket
-36	12G3283	1	Lever
-37	12G2102	2	Stopper
-A		1	Parts Packet 1, PN 12G3400
-C		1	Parts Packet 3, PN 12G3402
-F		1	Parts Packet 6, PN 12G3405
-G		1	Parts Packet 7, PN 12G3406



**Assembly 32: Finisher Punch Unit**

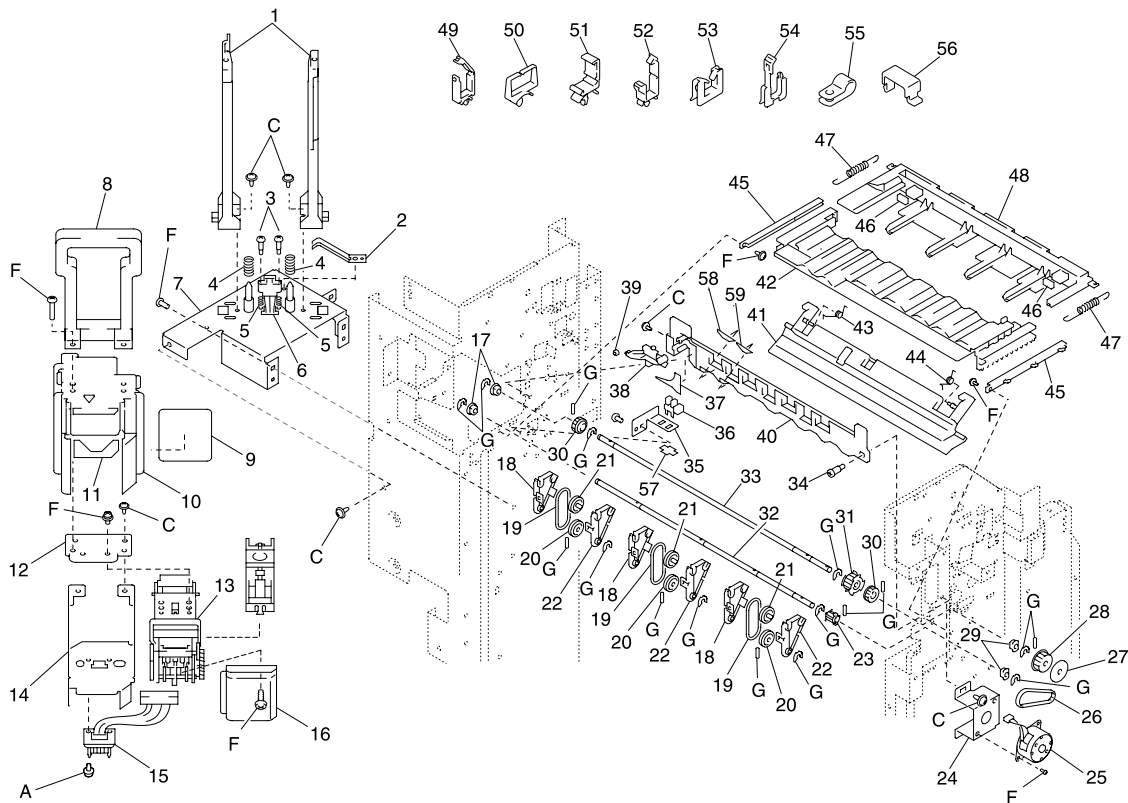
Ref	Part Number	Units	Description
32-1	12G3288	1	Mounting Plate
-2	12G3289	2	Shoulder Screw
-3	12G3290	2	Bushing
-4	12G3291	1	Bracket
-5	12G3292	1	Bushing
-6	12G3293	1	Gear 21t
-7	12G3294	1	Gear 14/31t
-8	12G3295	1	Gear 20t
-9	12G3296	1	Gear 20t
-10	12G3297	1	Bracket
-11	12G3298	1	Bracket
-12	12G3299	1	PWB-motor, M1 Transport
-13	12G3300	1	Bracket
-14	12G3301	1	Gear 22/38t
-15	12G3302	1	Label Jam Removal
-16	12G3303	1	Label Jam Removal
-17	12G3304	1	Guide Plate
-18	12G3305	1	Bracket
-19	12G3306	1	Shaft
-20	12G3307	1	Pressure Spring
-21	12G3309	1	Punch Unit (3-hole)
-21	12G3310	1	Punch Unit (4-hole)
-22	12G3311	2	Knob
-23	12G3312	2	Shoulder Screw
-A		1	Parts Packet 1, PN 12G3400
-B		1	Parts Packet 2, PN 12G3401
-C		1	Parts Packet 3, PN 12G3402
-E		1	Parts Packet 5, PN 12G3404
-F		1	Parts Packet 6, PN 12G3405
-G		1	Parts Packet 7, PN 12G3406

# Assembly 33: Finisher Stapler Unit/Finisher Tray



**Assembly 33: Finisher Stapler Unit/Finisher Tray**

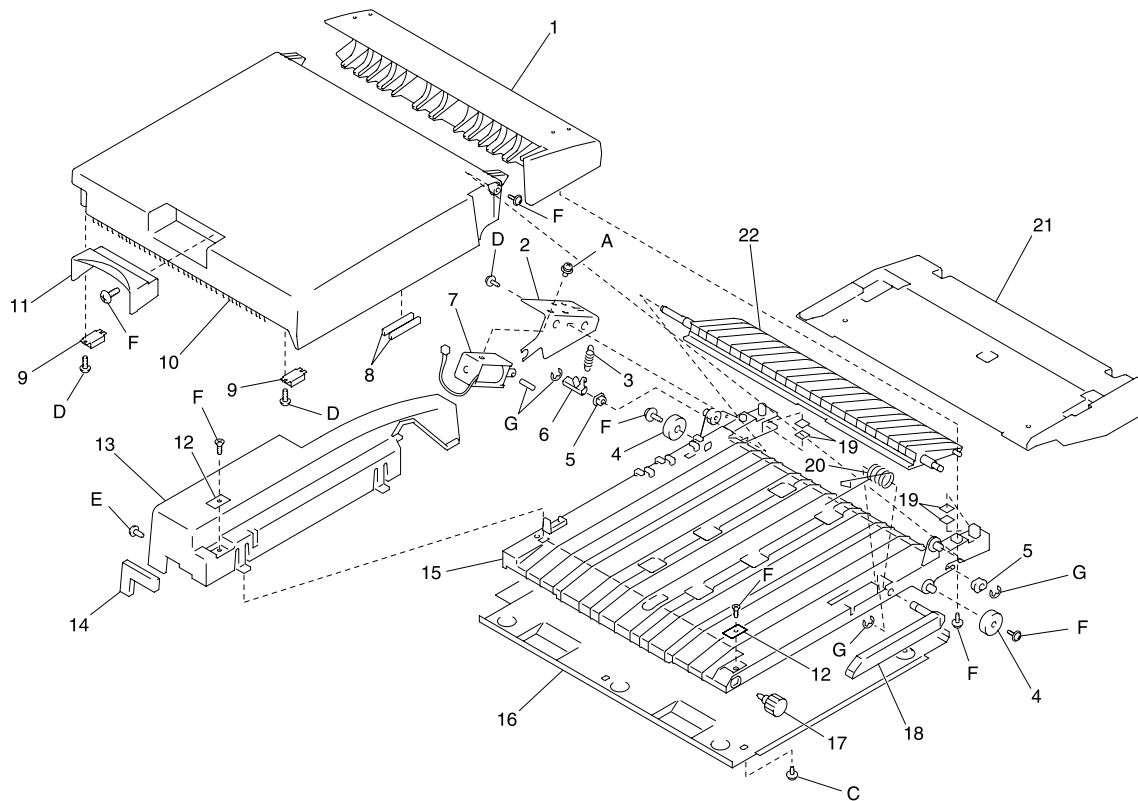
Ref	Part Number	Units	Description
33-1	12G3313	2	Guide
-2	12G3314	1	Plate Spring
-3	12G3315	2	Shoulder Screw
-4	12G3316	2	Pressure Spring
-5	12G3313	2	Pressure Spring
-6	12G3317	1	Harness
-7	12G3318	1	Bracket
-8	12G3319	1	Handle
-9	12G3320	1	Label Jam Removal
-10	12G3321	1	Cover
-11	12G3322	1	Polyester Film
-12	12G3323	1	Plate
-13	12G3324	1	Stapler Unit
-14	12G3325	1	Bracket
-15	12G3326	1	Harness
-16	12G3327	1	Guide
-17	12G3328	2	Bushing
-18	12G3329	3	Holder
-19	12G3330	3	Belt
-20	12G3331	3	Pulley
-21	12G3332	3	Pulley
-22	12G3333	3	Holder
-23	12G3334	1	Pulley 18t
-24	12G3335	1	Bracket
-25	12G3336	1	Motor, Finisher Tray M8
-26	12G3337	1	Timing Belt
-27	12G3226	1	Flange
-28	12G3338	1	Pulley 40t
-29	12G2971	2	Bushing
-30	12G3339	2	Gear 18t
-31	12G3340	1	Pulley
-32	12G3341	1	Shaft
-33	12G3342	1	Shaft

**Assembly 33 (cont.): Finisher Stapler Unit/Finisher Tray**

**Assembly 33 (cont.): Finisher Stapler Unit/Finisher Tray**

Ref	Part Number	Units	Description
33-34	12G3343	1	Shoulder Screw
-35	12G3344	1	Bracket
-36	12G3106	1	Photo Interrupter, PC2 Finish Pos.
-37	12G3345	1	Polyester Film
-38	12G3346	1	Lever
-39	12G3347	1	Roll
-40	12G3348	1	Tray
-41	12G3349	1	Stay
-42	12G3350	1	Tray
-43	12G3351	1	Torsion Spring
-44	12G3352	1	Torsion Spring
-45	12G3353	2	Rail
-46	12G3038	2	Cushion
-47	12G3354	2	Tension Spring
-48	12G3355	1	Guide
-49	12G2486	16	Wiring Saddle 5.2h
-50	12G2487	2	Wiring Saddle 6.4h
-51	12G3024	6	Wiring Saddle 16.8h
-52	12G3356	22	Wiring Saddle 14.4h
-53	12G2490	7	Edge Cover 8.5h
-54	12G2491	4	Edge Cover 15.4h
-54	12G2492	3	Edge Cover 25.0h
-55	12G3027	16	Wiring Saddle 3.8h
-56	12G3357	2	Cord Clamp
-57	12G2102	1	Stopper
-58	12G3358	1	Polyester Film
-59	12G3360	1	Polyester Film
-A		1	Parts Packet 1, PN 12G3400
-C		1	Parts Packet 3, PN 12G3402
-F		1	Parts Packet 6, PN 12G3405
-G		1	Parts Packet 7, PN 12G3406

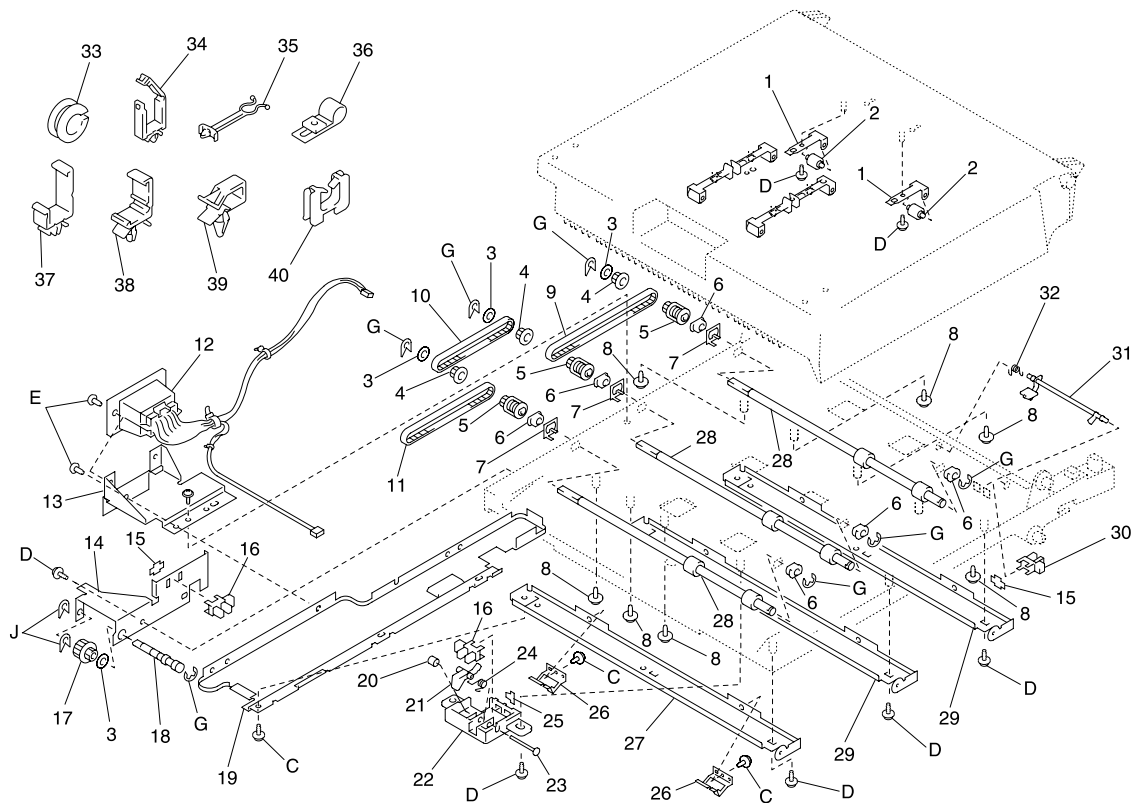


**Assembly 34: Finisher/Mailbox Horizontal Transfer (A)**

**Assembly 34: Finisher/Mailbox Horizontal Transfer (A)**

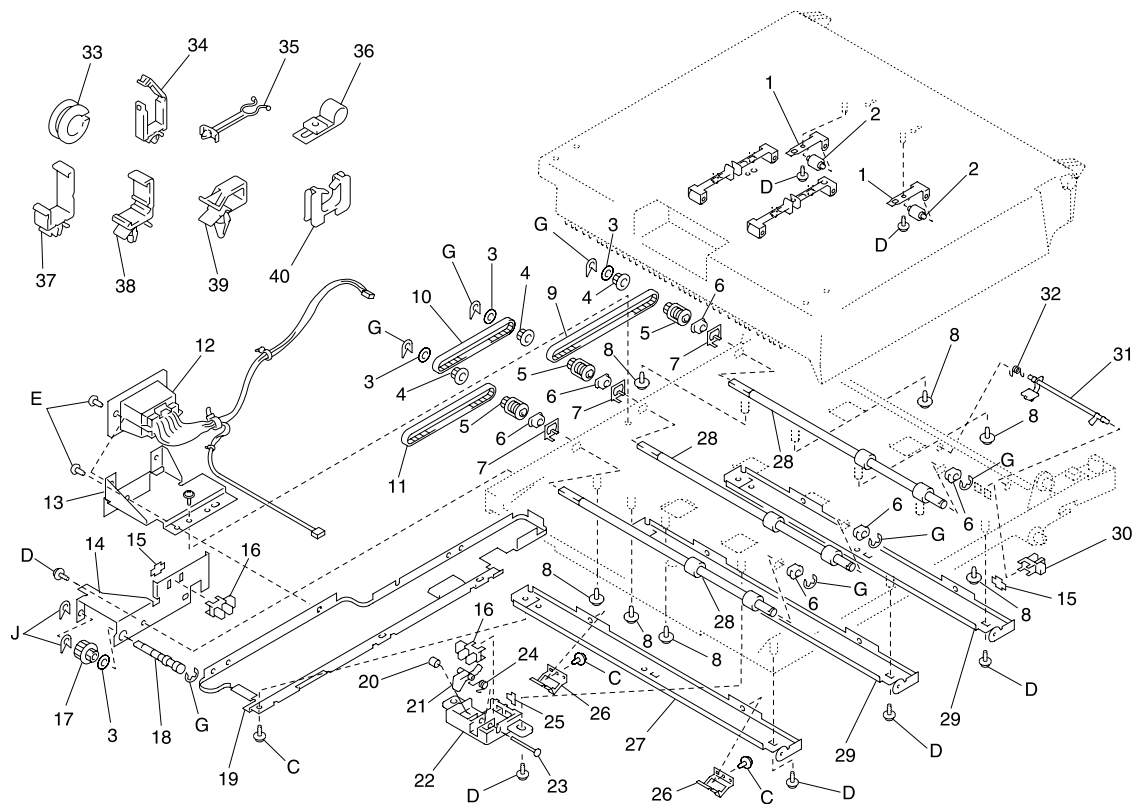
Ref	Part Number	Units	Description
34-1	12G2967	1	Cover
-2	12G2968	1	Bracket
-3	12G2969	1	Tension Spring
-4	12G2970	2	Roll
-5	12G2971	2	Bushing
-6	12G2972	1	Lever
-7	12G2973	1	Solenoid, Switch SL1
-8	12G2974	2	Seal
-9	12G2975	2	Magnet Catch
-10	12G2976	1	Cover
-11	12G2977	1	Handle
-12	12G2978	2	Plate
-13	12G2979	1	Rear Cover
-14	12G2980	1	Cushion
-15	12G2981	1	Guide Plate
-16	12G2982	1	Lower Cover
-17	12G2983	1	Shoulder Screw
-18	12G2984	1	Lever
-19	12G2985	4	Cushion
-20	12G2986	1	Torsion Spring
-21	12G2987	1	Guide Plate
-22	12G2988	1	Guide Plate
-A		1	Parts Packet 1, PN 12G3400
-C		1	Parts Packet 3, PN 12G3402
-D		1	Parts Packet 4, PN 12G3403
-E		1	Parts Packet 5, PN 12G3404
-F		1	Parts Packet 6, PN 12G3405
-G		1	Parts Packet 7, PN 12G3406

# Assembly 35: Finisher/Mailbox Horizontal Transfer (B)



**Assembly 35: Finisher/Mailbox Horizontal Transfer (B)**

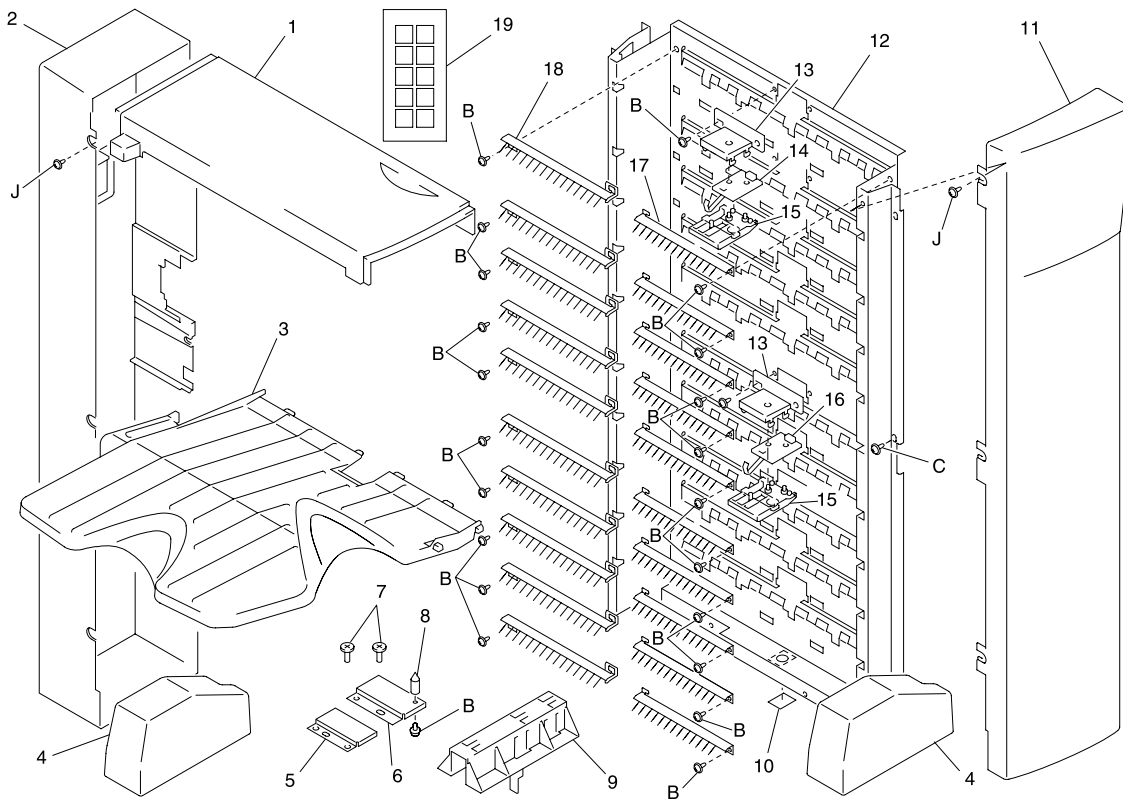
Ref	Part Number	Units	Description
35-1	12G2993	2	Plate Spring
-2	12G2994	2	Roll
-3	12G2995	4	Washer
-4	12G2996	3	Pulley 17t
-5	12G2997	3	Clutch
-6	12G2971	6	Bushing
-7	12G2998	3	Ground Plate
-8	12G2119	7	Screw
-9	12G3000	1	Timing Belt
-10	12G3001	1	Timing Belt
-11	12G3002	1	Timing Belt
-12	12G3003	1	Harness
-13	12G3004	1	Bracket
-14	12G3005	1	Bracket
-15	12G2173	2	Stopper
-16	12G3006	2	Photo Interrupter, PC1, PC4
-17	12G3007	1	Ply Gear 16/17t
-18	12G3008	1	Shaft
-19	12G3009	1	Frame
-20	12G2053	1	Retaining Ring
-21	12G3010	1	Actuator
-22	12G3011	1	Cover
-23	12G3012	1	Pin
-24	12G3026	1	Torsion Spring
-25	12G3013	1	Stopper
-26	12G3014	2	Plate Spring
-27	12G3015	1	Reinforce Plate
-28	12G3016	3	Roller
-29	12G3017	2	Reinforce Plate
-30	12G3018	1	Photo Interrupter, PC6 Empty
-31	12G3019	1	Actuator
-32	12G3020	1	Torsion Spring
-33	12G3021	1	Grommet

**Assembly 35 (cont.): Finisher/Mailbox Horizontal Transfer (B)**

**Assembly 35 (cont.): Finisher/Mailbox Horizontal Transfer (B)**

Ref	Part Number	Units	Description
35-34	12G2486	1	Wiring Saddle 5.2h
-35	12G3025	1	Wiring Saddle 8.0h
-36	12G3027	11	Wiring Saddle 3.8h (Mailbox only)
-37	12G2488	5	Wiring Saddle 27h (Mailbox only)
-38	12G3024	2	Wiring Saddle 16.8h (Mailbox only)
-39	12G3025	1	Wiring Saddle 8.0h (Mailbox only)
-40	12G2490	2	Edge Cover 8.5h (Mailbox only)
-C		1	Parts Packet 3, PN 12G3402
-D		1	Parts Packet 4, PN 12G3403
-E		1	Parts Packet 5, PN 12G3404
-G		1	Parts Packet 7, PN 12G3406
-J		1	Parts Packet 10, PN 12G3409

# Assembly 36: Mailbox Housing

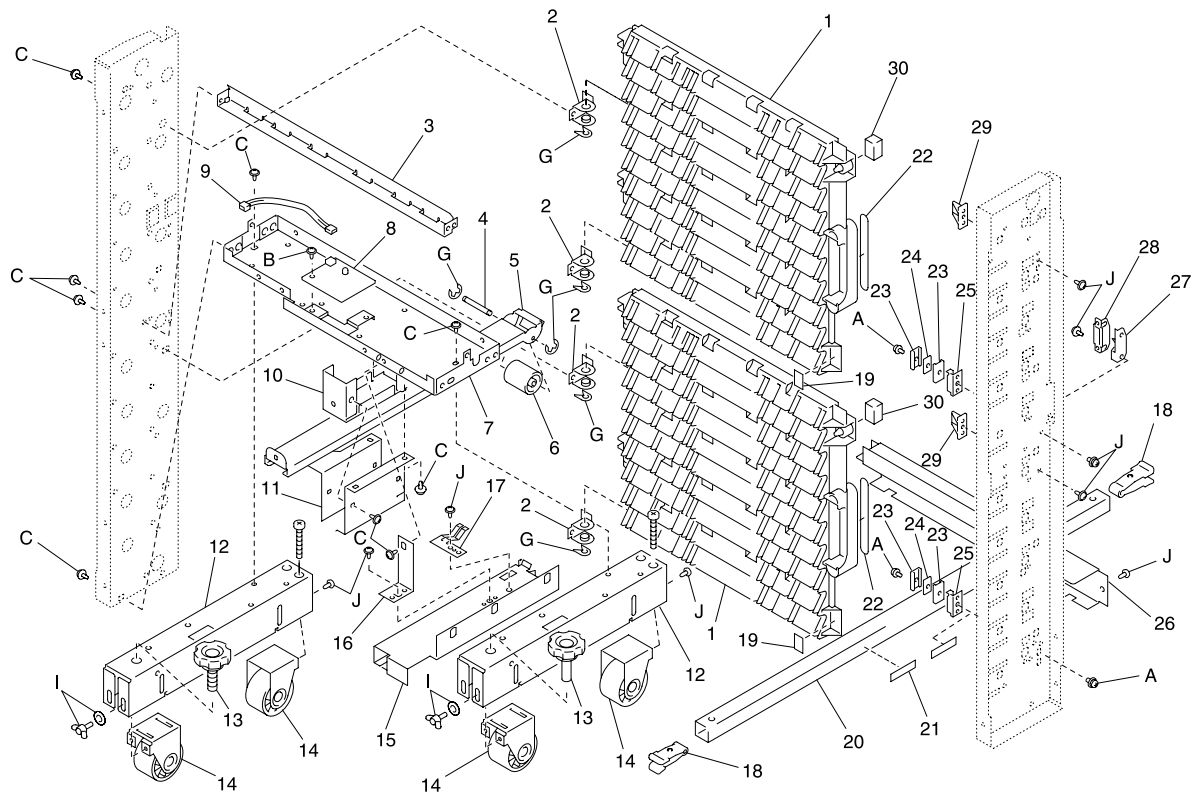


**Assembly 36: Mailbox Housing**

Ref	Part Number	Units	Description
36-1	12G2828	1	Top Cover
-2	12G2829	1	Rear Cover
-3	12G2830	10	Tray
-4	12G2831	2	Cover
-5	12G2832	1	Plate
-6	12G2833	1	Plate
-7	12G2939	2	Shoulder Screw
-8	12G2068	1	Pin
-9	12G2834	1	Holder
-10	12G2835	1	Polyester Film
-11	12G2836	1	Front Cover
-12	12G2837	1	Bin Rack
-13	12G2838	2	Bracket
-14	12G2839	1	PWB-B, Paper Exit Board
-15	12G2840	2	Cover
-16	12G2918	1	PWB-D, Paper Exit
-17	12G2841	10	Neutralizing Brush
-18	12G2842	10	Neutralizing Brush
-19	12G2843	1	Label
-B		1	Parts Packet 2, PN 12G3401
-C		1	Parts Packet 3, PN 12G3402
-J		1	Parts Packet 10, PN 12G3409



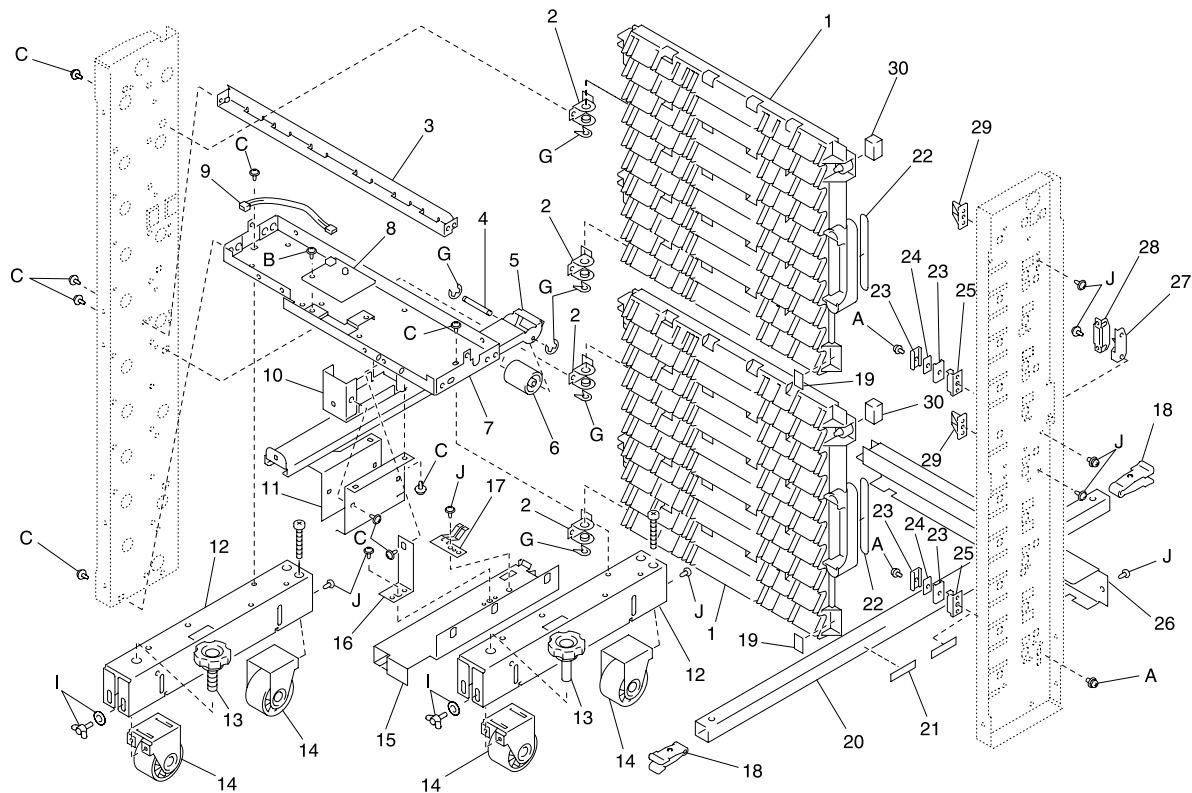
# Assembly 37: Mailbox Frames



**Assembly 37: Mailbox Frames**

<b>Ref</b>	<b>Part Number</b>	<b>Units</b>	<b>Description</b>
37-1	12G2846	2	Guide
-2	12G2847	4	Support Plate
-3	12G2848	1	Guide Plate
-4	12G2849	1	Shaft
-5	12G2850	1	Foot
-6	12G2851	1	Roll
-7	12G2852	1	Base Frame
-8	12G2853	1	PW Board-C, PWB-C
-9	12G2854	1	Harness
-10	12G2855	1	Support Plate
-11	12G2856	1	Bracket
-12	12G2857	2	Foot
-13	12G2858	2	Adjusting Bolt
-14	12G2859	4	Caster
-15	12G2860	1	Stop Plate
-16	12G2861	1	Stop Plate
-17	12G2862	1	Ground Plate
-18	12G2863	2	Stopper
-19	12G2864	2	Plate
-20	12G2865	1	Pipe
-21	12G2866	1	Label
-22	12G2867	2	Label
-23	12G2868	4	Plate
-24	12G2869	2	Magnet
-25	12G2870	2	Bracket
-26	12G2871	1	Cover
-27	12G2872	1	Ground Plate
-28	12G2873	1	Magnet Catch
-29	12G2874	4	Holder
-30	12G2875	2	Rubber Strip

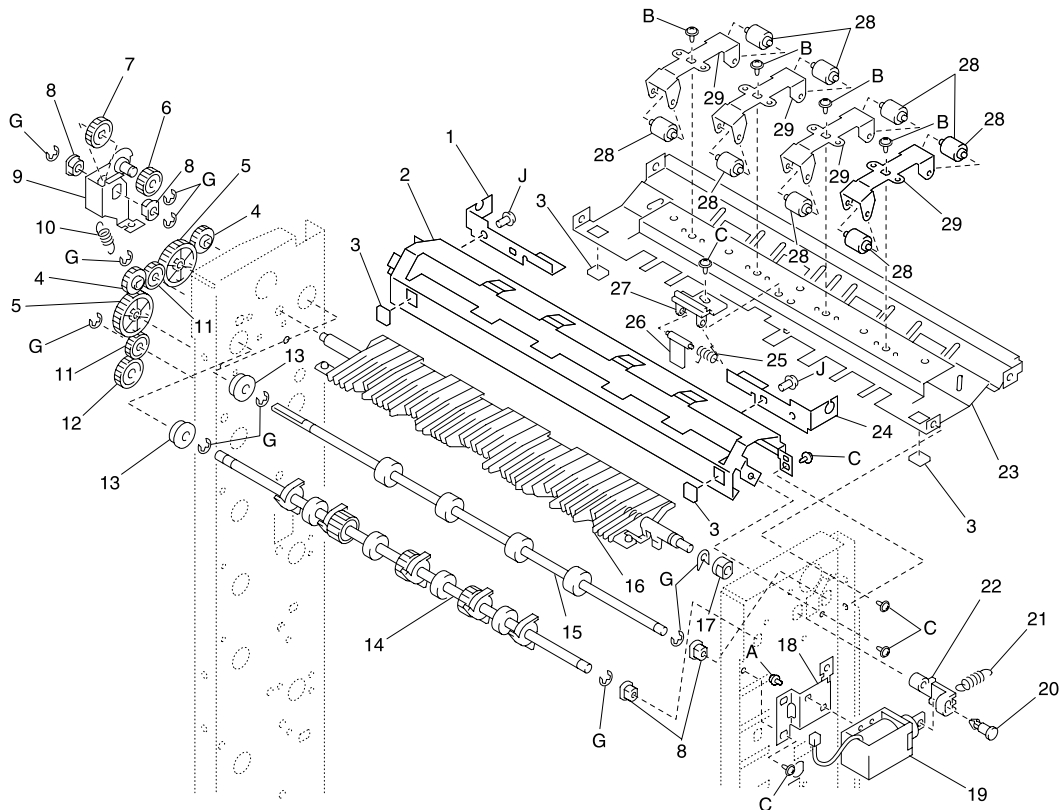
## Assembly 37 (cont.): Mailbox Frames



**Assembly 37 (cont.): Mailbox Frames**

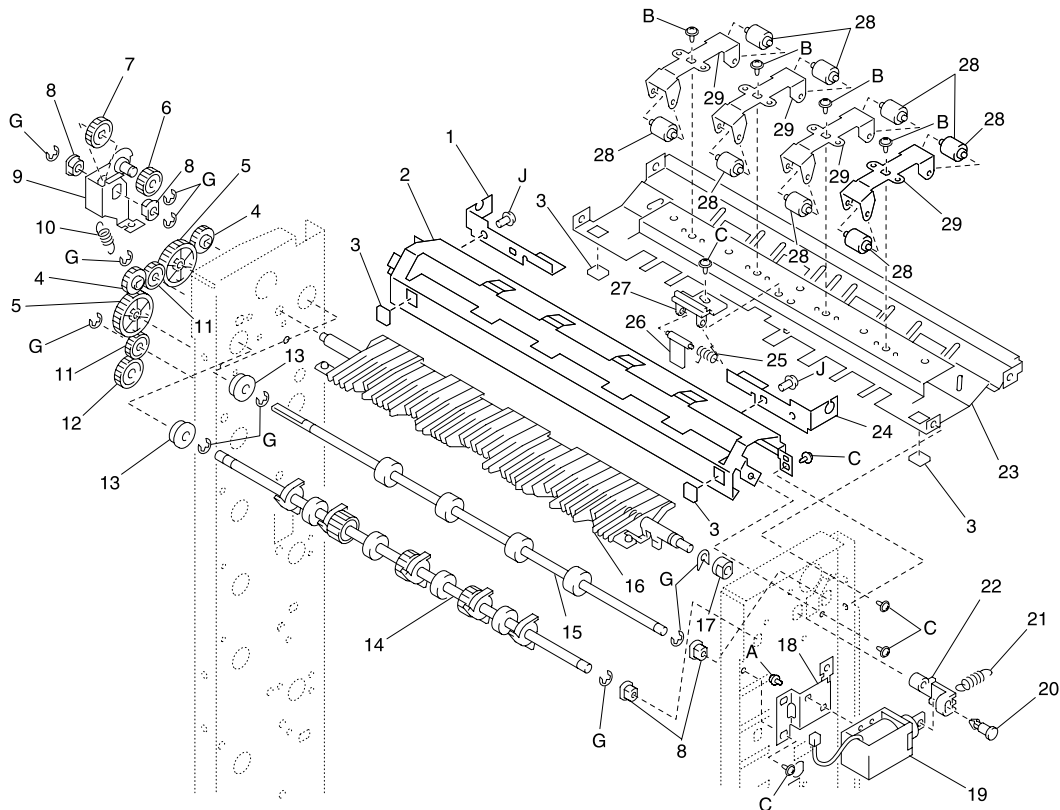
<b>Ref</b>	<b>Part Number</b>	<b>Units</b>	<b>Description</b>
37-A		1	Parts Packet 1, PN 12G3400
-B		1	Parts Packet 2, PN 12G3401
-C		1	Parts Packet 3, PN 12G3402
-G		1	Parts Packet 7, PN 12G3406
-I		1	Parts Packet 9, PN 12G3408
-J		1	Parts Packet 10, PN 12G3409

# Assembly 38: Mailbox Paper Transport (A)



**Assembly 38: Mailbox Paper Transport (A)**

Ref	Part Number	Units	Description
38-1	12G2883	1	Bracket
-2	12G2884	1	Guide Plate
-3	12G2885	4	Cushion
-4	12G2920	2	Gear 17 T
-5	12G2886	2	Gear 37 T
-6	12G2887	1	Gear 18 T
-7	12G2888	1	Gear 20 T
-8	12G2971	4	Bushing
-9	12G2889	1	Axle Plate
-10	12G2890	1	Tension Spring
-11	12G2891	2	Gear 17 T
-12	12G2928	1	Gear 19 T
-13	12G2892	2	Ball Bearing
-14	12G2893	1	Roller
-15	12G2894	1	Roller
-16	12G2895	1	Guide
-17	12G2896	1	Bushing
-18	12G2897	1	Bracket
-19	12G2898	1	Solenoid, SL1 Non-sort
-20	12G2899	1	Stopper
-21	12G2900	1	Tension Spring
-22	12G2901	1	Holder
-23	12G2902	1	Guide Plate
-24	12G2903	1	Bracket
-25	12G2904	1	Torsion Spring
-26	12G2905	1	Actuator
-27	12G2906	1	Holder
-28	12G2907	8	Roll
-29	12G2908	4	Plate Spring

**Assembly 38 (cont.): Mailbox Paper Transport (A)**

**Assembly 38 (cont.): Mailbox Paper Transport (A)**

<b>Ref</b>	<b>Part Number</b>	<b>Units</b>	<b>Description</b>
38-A		1	Parts Packet 1, PN 12G3400
-B		1	Parts Packet 2, PN 12G3401
-C		1	Parts Packet 3, PN 12G3402
-G		1	Parts Packet 7, PN 12G3406
-J		1	Parts Packet 10, PN 12G3409

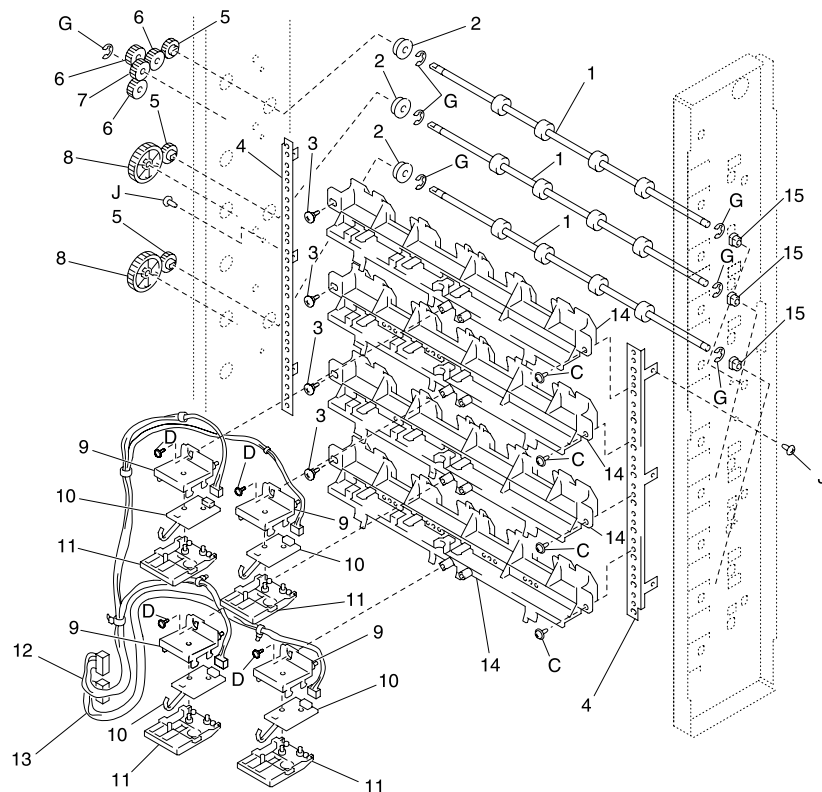




**Assembly 39: Mailbox Paper Transport (B)**

Ref	Part Number	Units	Description
39-1	12G2916	2	Roller
-2	12G2892	2	Ball Bearing
-3	12G2917	2	Bracket
-4	12G2920	2	Gear 17t
-5	12G2886	2	Gear 37t
-6	12G2911	5	Shoulder Screw
-7	12G2912	5	Guide
-8	12G2907	8	Roll
-9	12G2913	8	Plate Spring
-10	12G2914	4	Bracket
-11	12G2918	4	PW Board-D, PWB-D1–PWB-D4
-12	12G2840	4	Cover
-13	12G2915	1	Harness
-14	12G2971	2	Bushing
-C		1	Parts Packet 3, PN 12G3402
-D		1	Parts Packet 4, PN 12G3403
-G		1	Parts Packet 7, PN 12G3403
-J		1	Parts Packet 10, PN 12G3409

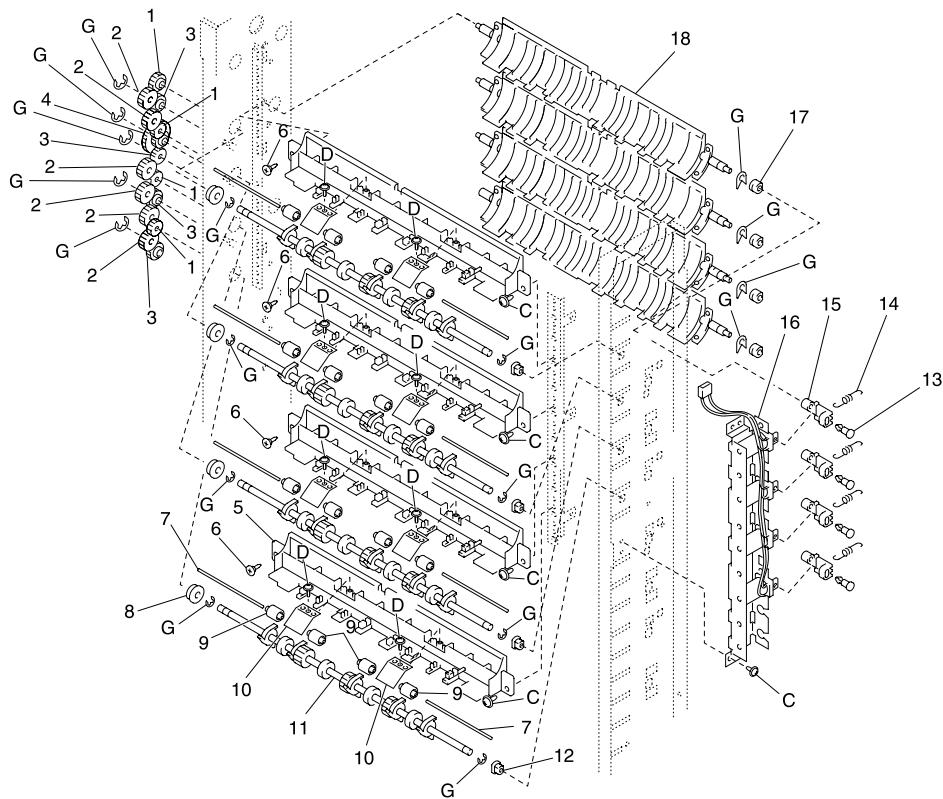
# Assembly 40: Mailbox Paper Transport (C)



**Assembly 40: Mailbox Paper Transport (C)**

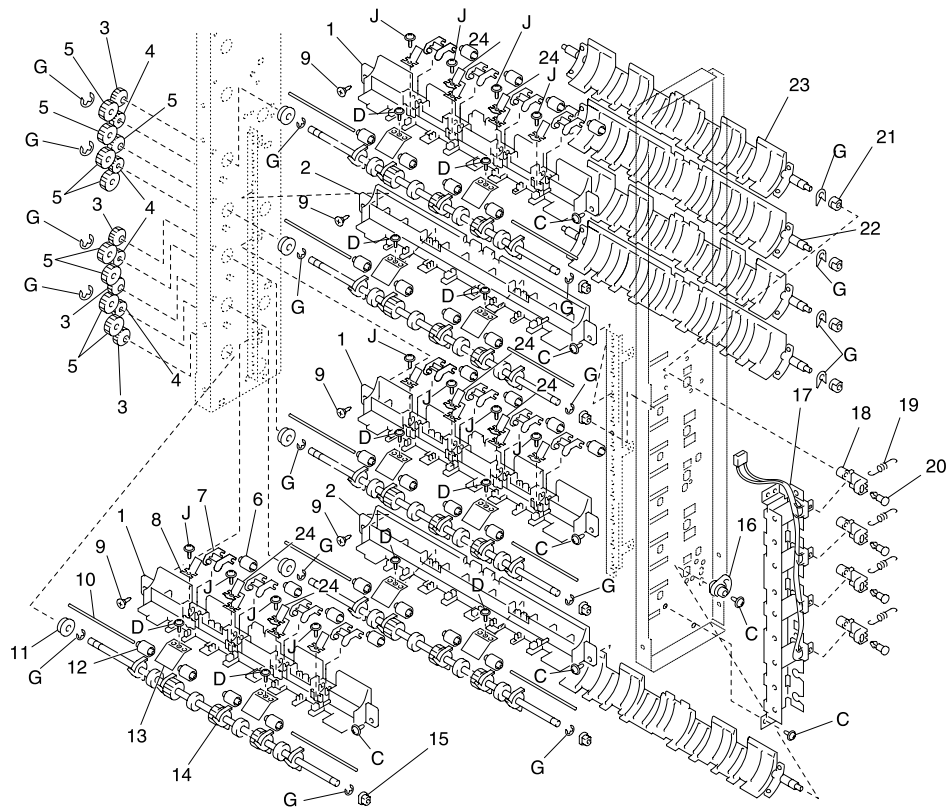
<b>Ref</b>	<b>Part Number</b>	<b>Units</b>	<b>Description</b>
40-1	12G2916	3	Roller
-2	12G2892	3	Ball Bearing
-3	12G2911	4	Shoulder Screw
-4	12G2917	2	Bracket
-5	12G2920	3	Gear 17t
-6	12G2928	3	Gear 19t
-7	12G2891	1	Gear 17t
-8	12G2886	2	Gear 37t
-9	12G2914	4	Bracket
-10	12G2918	4	PW Board-D, PWB-D6–PWB-D9
-11	12G2840	2	Cover
-12	12G2915	1	Harness
-13	12G2919	1	Harness
-14	12G2912	4	Guide
-15	12G2971	3	Bushing
-C		1	Parts Packet 3, PN 12G3402
-D		1	Parts Packet 4, PN 12G3403
-G		1	Parts Packet 7, PN 12G3406
-J		1	Parts Packet 10, PN 12G3409

# Assembly 41: Mailbox Paper Transport (D)



**Assembly 41: Mailbox Paper Transport (D)**

Ref	Part Number	Units	Description
41-1	12G2920	4	Gear 17t
-2	12G2928	6	Gear 19t
-3	12G2891	4	Gear 17t
-4	12G2921	1	Gear 18/40 T
-5	12G2922	4	Guide
-6	12G2911	4	Shoulder Screw
-7	12G2923	8	Shaft
-8	12G2892	4	Ball Bearing
-9	12G2924	16	Roll
-10	12G2932	8	Plate Spring
-11	12G2893	4	Roller
-12	12G2971	4	Bushing
-13	12G2899	4	Stopper
-14	12G2935	4	Tension Spring
-15	12G2901	4	Holder
-16	12G2925	1	Solenoid, Deflect SL2
-17	12G2896	4	Bushing
-18	12G2926	4	Guide
-C		1	Parts Packet 3, PN 12G3402
-D		1	Parts Packet 4, PN 12G3403
-G		1	Parts Packet 7, PN 12G3406

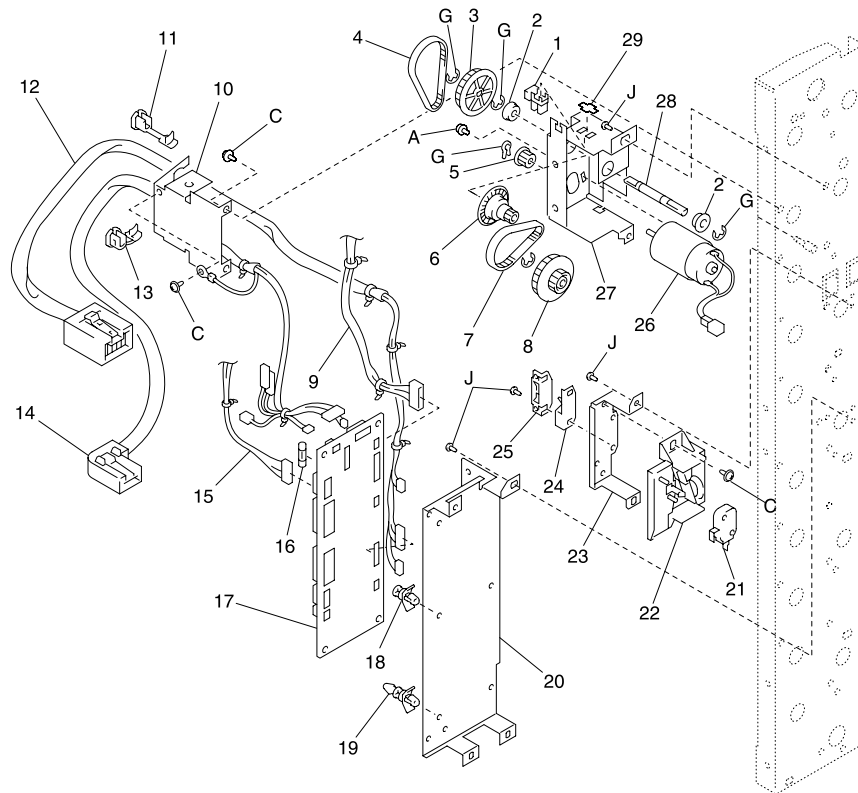
**Assembly 42: Mailbox Paper Transport (E)**

**Assembly 42: Mailbox Paper Transport (E)**

Ref	Part Number	Units	Description
42-1	12G2927	3	Guide
-2	12G2922	2	Guide
-3	12G2920	5	Gear 17t
-4	12G2891	4	Gear 17t
-5	12G2928	8	Gear 19t
-6	12G2924	20	Roll
-7	12G2929	12	Holder
-8	12G2930	12	Plate Spring
-9	12G2911	5	Shoulder Screw
-10	12G2923	10	Shaft
-11	12G2892	5	Ball Bearing
-12	12G2931	12	Roll
-13	12G2932	10	Plate Spring
-14	12G2893	5	Roller
-15	12G2971	5	Bushing
-16	12G2933	1	Bushing
-17	12G2934	1	Solenoid, Deflect SL3
-18	12G2901	4	Holder
-19	12G2935	4	Tension Spring
-20	12G2899	4	Stopper
-21	12G2896	4	Bushing
-22	12G2926	2	Guide
-23	12G2936	3	Guide
-24	12G2937	6	Plate Spring
-C		1	Parts Packet 3, PN 12G3402
-D		1	Parts Packet 4, PN 12G3403
-G		1	Parts Packet 7, PN 12G3406
-J		1	Parts Packet 10, PN 12G3409



# Assembly 43: Mailbox Drive



**Assembly 43: Mailbox Drive**

Ref	Part Number	Units	Description
43-1	12G2940	1	Photo Interrupter, PC1 Non-sort
-2	12G2844	2	Ball Bearing
-3	12G2941	1	Pulley 64 T
-4	12G2942	1	Timing Belt
-5	12G2943	1	Pulley
-6	12G2944	1	Pulley 16 T
-7	12G2945	1	Timing Belt
-8	12G2946	1	Ply Gear 64/18 T
-9	12G2947	1	Harness
-10	12G2948	1	Holder
-11	12G2949	1	Cord Bushing
-12	12G2950	1	Harness
-13	12G2951	1	Cord Bushing
-14	12G2952	1	Harness
-15	12G2953	1	Harness
-16	12G2954	1	Fuse 0.5A
-17	12G2955	1	PWB-A, Main Drive Board
-18	12G2956	2	PWB Support 9.53h
-19	12G2957	4	PWB Support 9.53h
-20	12G2958	1	Bracket
-21	12G2959	1	Microswitch, Power S1
-22	12G2960	1	Holder
-23	12G2961	1	Bracket
-24	12G2872	1	Ground Plate
-25	12G2873	1	Magnet Catch
-26	12G2962	1	Motor Asm, Transport M1
-27	12G2963	1	Bracket
-28	12G2964	1	Shaft
-29	12G2173	1	Stopper
-A		1	Parts Packet 1, PN 12G3400
-C		1	Parts Packet 3, PN 12G3402
-G		1	Parts Packet 7, PN 12G3406
-J		1	Parts Packet 10, PN 12G3409

**Assembly 44: Optional Features**

<b>Ref</b>	<b>Part Number</b>	<b>Units</b>	<b>Description</b>
	99A0421	1	Ethernet Card
	99A0420	1	Token-Ring Card
	12G3422	1	Transfer MMKit
	12G3421	1	Fuser 110V MMKit
	12G3420	1	Fuser 220V MMKit
	99A0459	1	Hard Disk
	11G0610	1	Cable, Hard Disk
	99A0422	1	Ethernet 10BaseT and 10Base2
	99A0467	1	Parallel Port Adapter
	99A0424	1	Infrared Adapter
	99A0545	1	Serial Interface Adapter
	12G3522	1	Printer Field-Return Packaging
	12G3543	1	TIFF Image Quick SIMM
	99A1088	1	Prescribe Code SIMM
	12G3426	1	IPDS and SCS/TNe SIMM
	99A1127	1	Barcode SIMM