



SERVICE INFORMATION

Issued by Peripheral Products Quality Assurance Center, Canon Inc.

MODEL :

LBP-800/810

NO. : RBB-12E-0002

DATE : Feb. 23, 2001

Y. Kajihara

LOCATION

SUBJECT

Revision of Parts Catalog for LBP-800/810

The Parts Catalog for LBP-800 will have been revised to contain updated information and error corrections over the revised edition 1.

Part number for the Parts Catalog is below:

RY8-3315-000 : Revised edition 0 of Parts Catalog

RY8-3315-010: Revised edition 1 of Parts Catalog

Please be advised to keep at hand the revised edition of the Parts Catalog.

RY8-3315-01Y

LBP-8000/810

PARTS CATALOG

REVISION 1

Canon

FEB. 2001

RY8-3315-010

PREFACE

This Parts Catalog contains listings of parts used in the LBP-800/810. Diagrams are provided with the listings to aid the service technician in clearly identifying the item to be ordered.

Whenever ordering parts, consult this Parts Catalog for all of the information pertaining to each item. Be sure to include in the Parts Request the full item description, the item part number, and the quantity. The parts catalog may be revised if there is significant product modification. For minor product modifications, a Service Information Bulletin will be issued.

Canon Inc.

Peripheral Products Quality Planning Div.
Peripheral Products Technical Documentation Dept
5-1, Hakusan 7-chome, Toride-shi, Ibaraki 302-8501, Japan

COPYRIGHT © 2001 CANON INC.

Printed in Japan

Imprimé au Japon

Use of this manual should be strictly supervised to avoid disclosure of confidential information.

LIST OF ORDER AND SERIAL NUMBERS

NAME	REMARKS	ORDER No.	SERIAL No.
LBP-800	100-127V	R72-8044-000	JKAA 000001-
	100-127V	R72-8044-001	JKDA 000001-
	220-240V	R72-8048-000	KLJA 000001-
	220-240V	R72-8048-001	KLQA 000001-
	220-240V	R72-8098-000	KLSA 000001-
LBP-810	100-127V LATIN	R72-8144-000	JKQA000001-
	100-127V TAIWAN	R72-8144-000	JKRA000001-
	220-240V PCB CB	R72-8168-000	KMXA000001-
	220-240V OCEANIA	R72-8178-000	KMSA000001-
	220-240V ASIA	R72-8178-000	KMTA000001-

CONTENTS

A. ASSEMBLY LOCATION DIAGRAM

001. DISK UNIT

100. EXTERNAL COVERS, PANELS, ETC.

102. INTERNAL COMPONENTS 1

103. INTERNAL COMPONENTS 2

104. INTERNAL COMPONENTS 3

105. INTERNAL COMPONENTS 4

110. ELECTRICAL COMPONENTS ASS'Y

330. FEEDER ASS'Y

900. PCB ASS'Y LOCATION DIAGRAM

B. NUMERICAL INDEX

FIGURE A ASSEMBLY LOCATION DIAGRAM

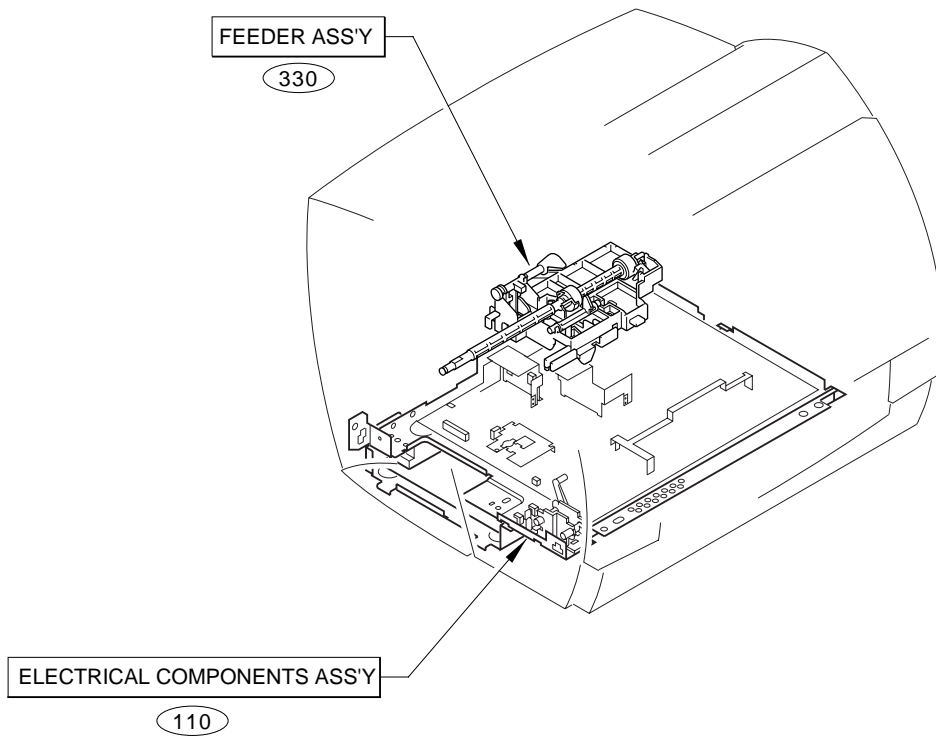


FIGURE 001 DISK UNIT

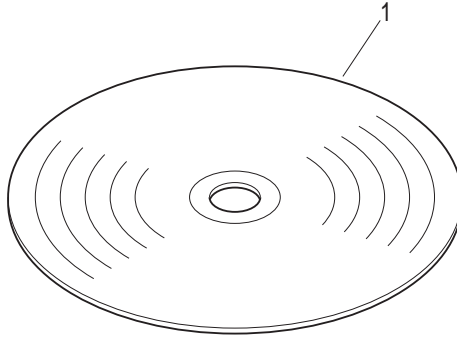


FIGURE & KEY NO.	PART NUMBER	RANK	QTY	DESCRIPTION	SERIAL NUMBER / REMARKS
001 -	NPN		RF	DISK UNIT	
1	RG1-3978-000		1	CD-ROM, PRINTER DRIVER	JKDA, KLJA, KLSA
	RG1-3979-000		1	CD-ROM, PRINTER DRIVER	JKAA, KLQA
	RG1-4098-000		1	CD-ROM, PRINTER DRIVER	JKQA, KMSA
	RG1-4099-000		1	CD-ROM, PRINTER DRIVER	JKRA, KMTA

FIGURE 100 EXTERNAL COVERS, PANELS, ETC.

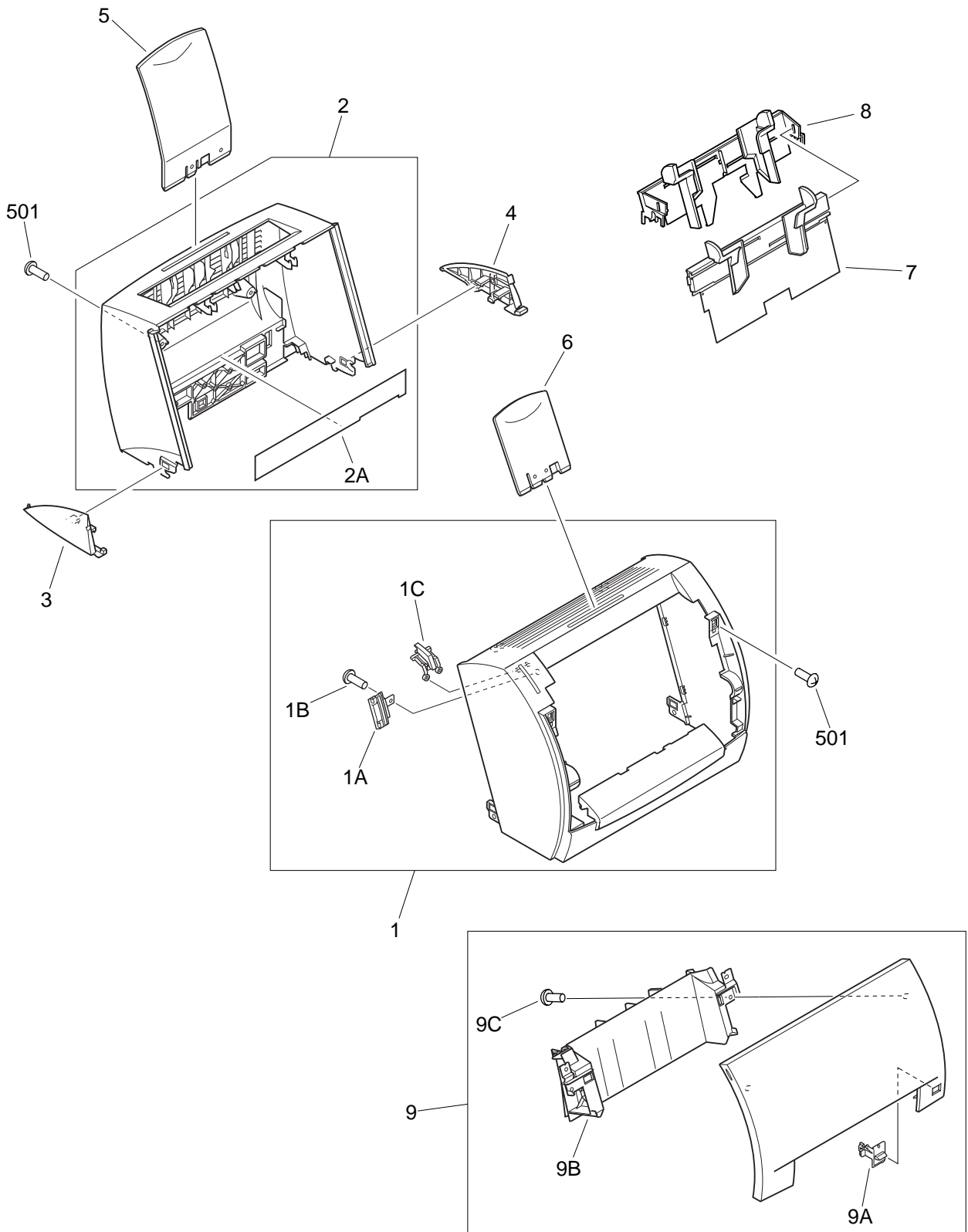


FIGURE & KEY NO.	PART NUMBER	R A N K	Q' T Y	DESCRIPTION	SERIAL NUMBER / REMARKS
100 -	NPN		RF	EXTERNAL COVERS, PANELS, ETC.	
1	RG5-5214-000		1	FRONT COVER ASS'Y	
1A	RB2-4654-000		1	COVER, LED	
1B	XA9-0605-000		1	SCREW, M4X8	
1C	RB2-4655-000		1	BUTTON, LED	
2	RF5-3061-000		1	COVER, REAR	LBP-800
	RF5-3060-000		1	COVER, REAR	LBP-810
2A	RB2-4660-000		1	COVER, SAFETY	
3	RB2-4661-000		1	GUIDE, LEFT	
4	RB2-4662-000		1	GUIDE, RIGHT	
5	RB2-4665-000		1	TRAY, PICK-UP, SUB	
6	RB2-4666-000		1	TRAY, DELIVERY, SUB	
7	RG5-5016-000		1	MANUAL FEED TRAY ASS'Y	
8	RG5-5017-000		1	MULTI PURPOSE TRAY ASS'Y	
9	RG5-5216-000		1	CARTRIDGE COVER ASS'Y	LBP-800
	RG5-5884-000		1	CARTRIDGE COVER ASS'Y	LBP-810
9A	RB2-4637-000		1	LEVER, DEFLECTOR	
9B	RG5-5024-000		1	DUCT ASS'Y	
9C	XA9-1170-000		2	SCREW, M4X8	
501	XB4-7401-007		4	SCREW, TAPPING, PAN HEAD, M4X10	

FIGURE 102 INTERNAL COMPONENTS 1

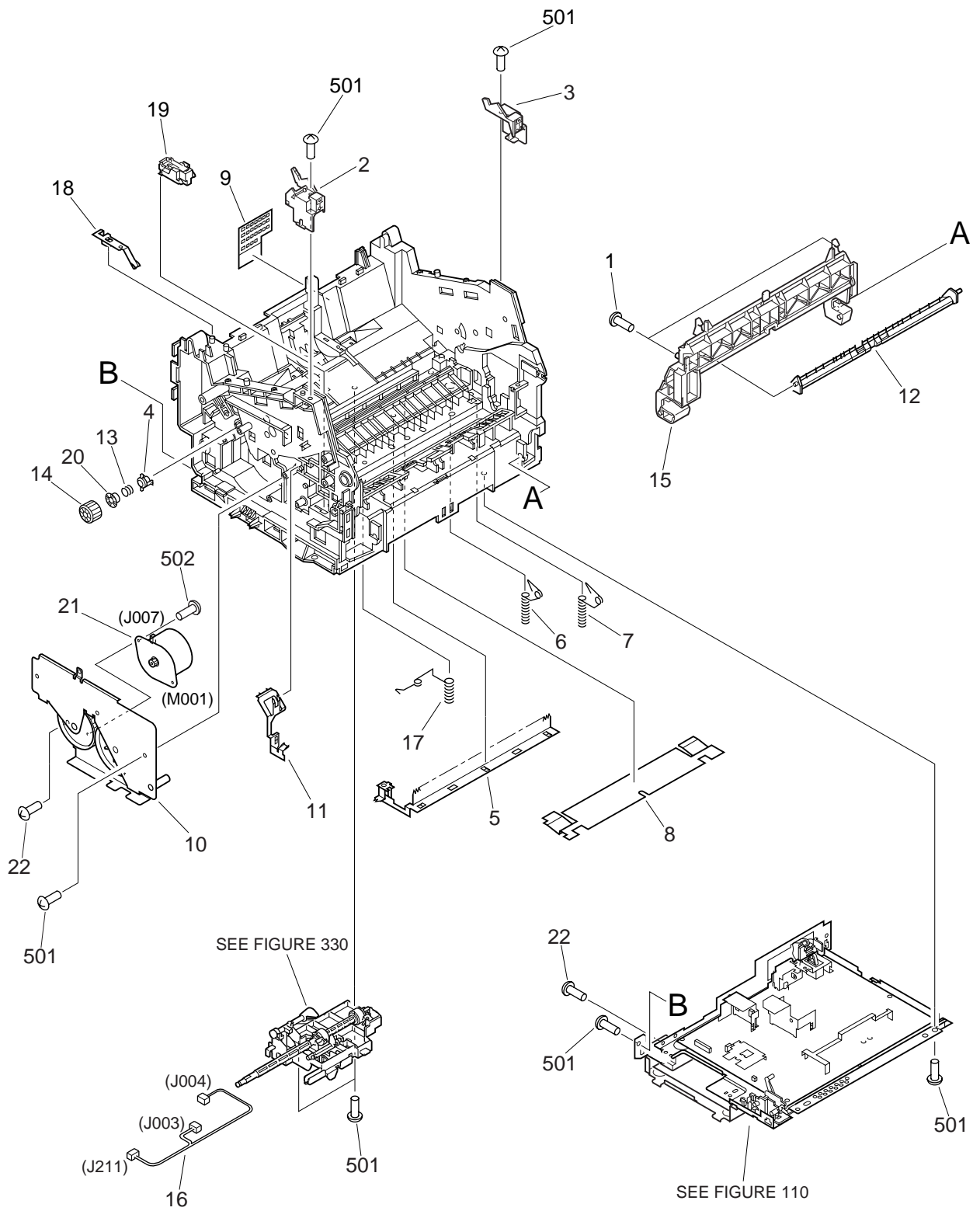


FIGURE & KEY NO.	PART NUMBER	R A N K	Q' T Y	DESCRIPTION	SERIAL NUMBER / REMARKS
102 -	NPN		RF	INTERNAL COMPONENTS 1	
1	XA9-1170-000		2	SCREW, M4X8	
2	RB2-4663-000		1	MOUNT, COVER, LEFT	
3	RB2-4664-000		1	MOUNT, COVER, RIGHT	
4	RB2-3946-000		1	BUSHING	
5	RB2-3951-000		1	ELIMINATOR, STATIC CHARGE	
6	RB2-3952-000		1	SPRING, TORSION	
7	RB2-3953-000		1	SPRING, TORSION	
8	RB2-4054-000		1	SHEET, TRANSFER	
9	RB2-4055-000		1	COVER, SAFETY, 3	
10	RF5-2829-040		1	PLATE, DRIVE	
11	RB2-3959-000		1	SPRING, LEAF, LEFT	
12	RB2-4006-000		1	DEFLECTOR	
13	RS6-2125-000		1	SPRING, COMPRESSION	
14	RS6-0563-000		1	GEAR, 23T	
15	RG5-5013-000		1	FACE DOWN DELIVERY GUIDE ASS'Y	
16	RG5-4617-000		1	SENSOR CABLE	J003, J004, J211
17	RB2-4042-000		1	SPRING, TORSION	
18	RB2-4044-000		1	PLATE, GROUNDING	
19	RF5-2880-000		1	HOLDER, FIXING	
20	RB2-4036-000		1	RATCHET	
21	RH7-1404-000		1	MOTOR, STEPPING	M001, J007
22	XA9-0779-000		3	SCREW, W/WASHER, M3X6	
501	XB4-7401-007		10	SCREW, TAPPING, PAN HEAD, M4X10	
502	XB6-7300-609		2	SCREW, TP, M3X6	

FIGURE 103 INTERNAL COMPONENTS 2

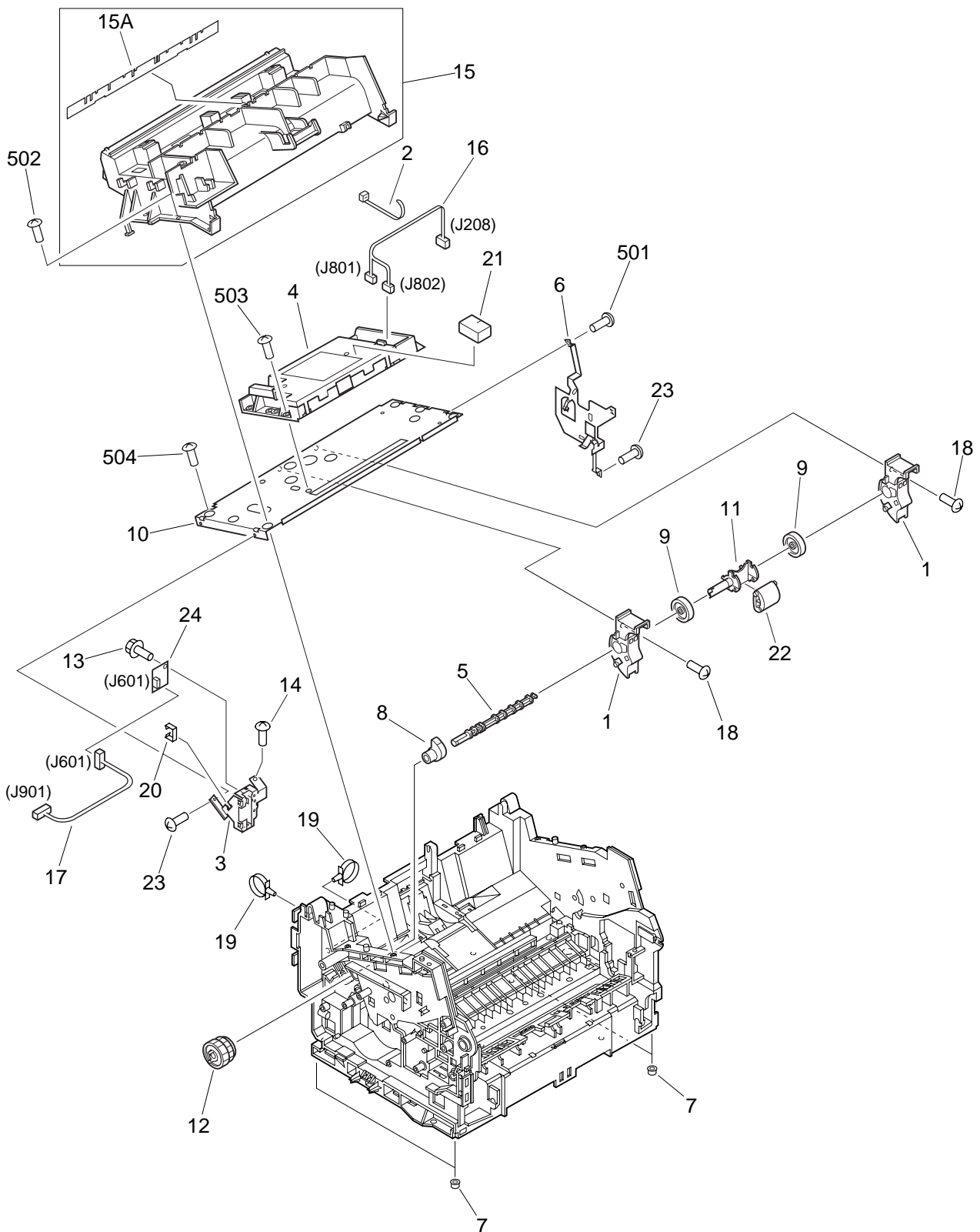


FIGURE & KEY NO.	PART NUMBER	R A N K	Q' T Y	DESCRIPTION	SERIAL NUMBER / REMARKS
103 -	NPN		RF	INTERNAL COMPONENTS 2	
1	RG5-4584-000		2	ROLLER HOLDER ASS'Y	
2	WT2-5576-000		5	TIE, CABLE	
3	RB2-4652-000		1	MOUNT, DISPLAY PCB	
4	RG5-4570-000		1	LASER/SCANNER ASS'Y	
5	RB2-3943-000		1	SHAFT	
6	RB2-3944-000		1	SPRING, LEAF	
7	RB2-3945-000		4	FOOT	
8	RB2-3949-000		1	CAM	
9	RB2-3931-000		2	ROLLER	
10	RB2-3932-000		1	PLATE, SCANNER	
11	RB2-3930-000		1	SHAFT, ROLLER	
12	RG5-4585-020		1	GEAR ASS'Y	
13	XA9-0863-000		1	SCREW, RS, M3X6	
14	XA9-0605-000		1	SCREW, M4X8	
15	RF5-3062-000		1	DUCT, 2	
15A	RB2-4641-000		1	SHEET, DUCT	
16	RG5-4616-000		1	SCANNER CABLE	J208, J801, J802
17	RG5-5036-000		1	DISPLAY CABLE	J601, J901
18	XA9-0267-000		2	SCREW, TP, M3X6	
19	WT2-5041-000		2	TIE, CABLE	
20	WT2-5300-000		1	CLIP, CABLE	
21	RB2-3904-000		1	DAMPER	
22	RB2-4026-000		1	ROLLER	
23	XA9-0779-000		2	SCREW,W/WASHER,M3X6	
24	RG5-5034-000		1	DISPLAY PCB ASS'Y	
501	XB2-7300-607		3	SCREW, W/WASHER, M3X6	
502	XB4-7401-209		2	SCREW,TAPPING,TRUSS HEAD,M4X12	
503	XB6-7300-807		4	SCREW, TP, M3X8	
504	XB4-7401-007		2	SCREW,TAPPING,PAN HEAD,M4X10	

FIGURE 104 INTERNAL COMPONENTS 3

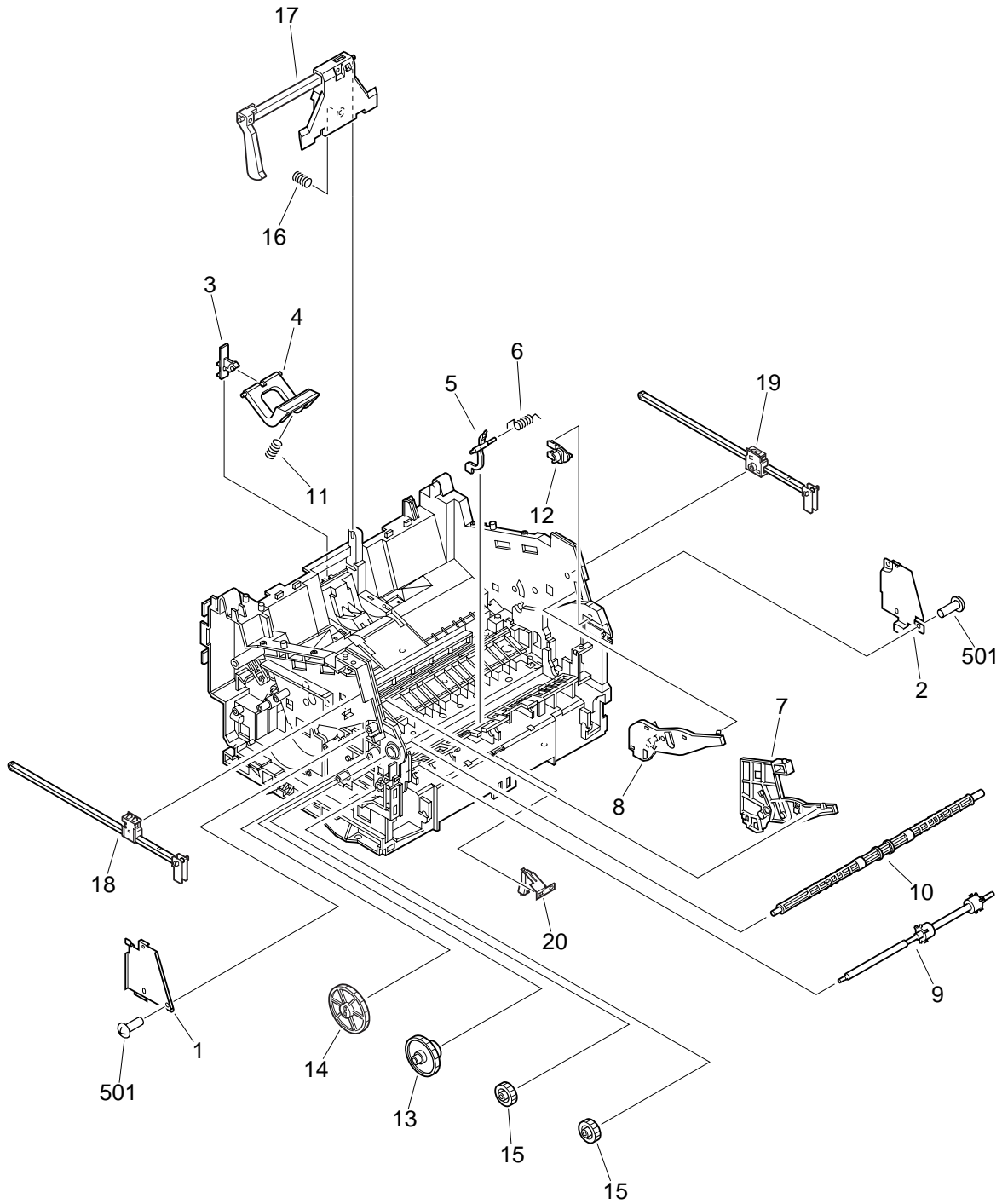


FIGURE & KEY NO.	PART NUMBER	R A N K	Q' T Y	DESCRIPTION	SERIAL NUMBER / REMARKS
104 -	NPN		RF	INTERNAL COMPONENTS 3	
1	RB2-3941-000		1	GUIDE, ARM, LEFT	
2	RB2-3942-000		1	GUIDE, ARM, RIGHT	
3	RB2-3947-000		1	HOLDER, PAD	
4	RF5-2886-020		1	ARM, PAD	
5	RB2-3960-000		1	FLAG, SENSOR	
6	RB2-3961-000		1	SPRING, TORSION	
7	RF5-2818-000		1	GUIDE, CARTRIDGE, LEFT	
8	RF5-2819-000		1	GUIDE, CARTRIDGE, RIGHT	
9	RF5-2822-000		1	ROLLER, FACE-UP	
10	RF5-2830-000		1	ROLLER, FACE-DOWN	
11	RS5-2502-000		1	SPRING, COMPRESSION	
12	RB2-4016-020		1	STOP, SLIDE	
13	RS6-0565-000		1	GEAR, 15T/99T	
14	RS6-0567-000		1	GEAR, 46T	
15	RS6-0568-000		2	GEAR, 20T	
16	RS6-2122-000		1	SPRING, COMPRESSION	
17	RG5-4582-060		1	PAPER GUIDE PLATE ASS'Y	
18	RG5-5025-000		1	ARM HOLDER ASS'Y LEFT	
19	RG5-5026-000		1	ARM HOLDER ASS'Y RIGHT	
20	RB2-4219-000		1	PLATE, GROUNDING	
501	XB4-7401-007		3	SCREW,TAPPING,PAN HEAD,M4X10	

FIGURE 105 INTERNAL COMPONENTS 4

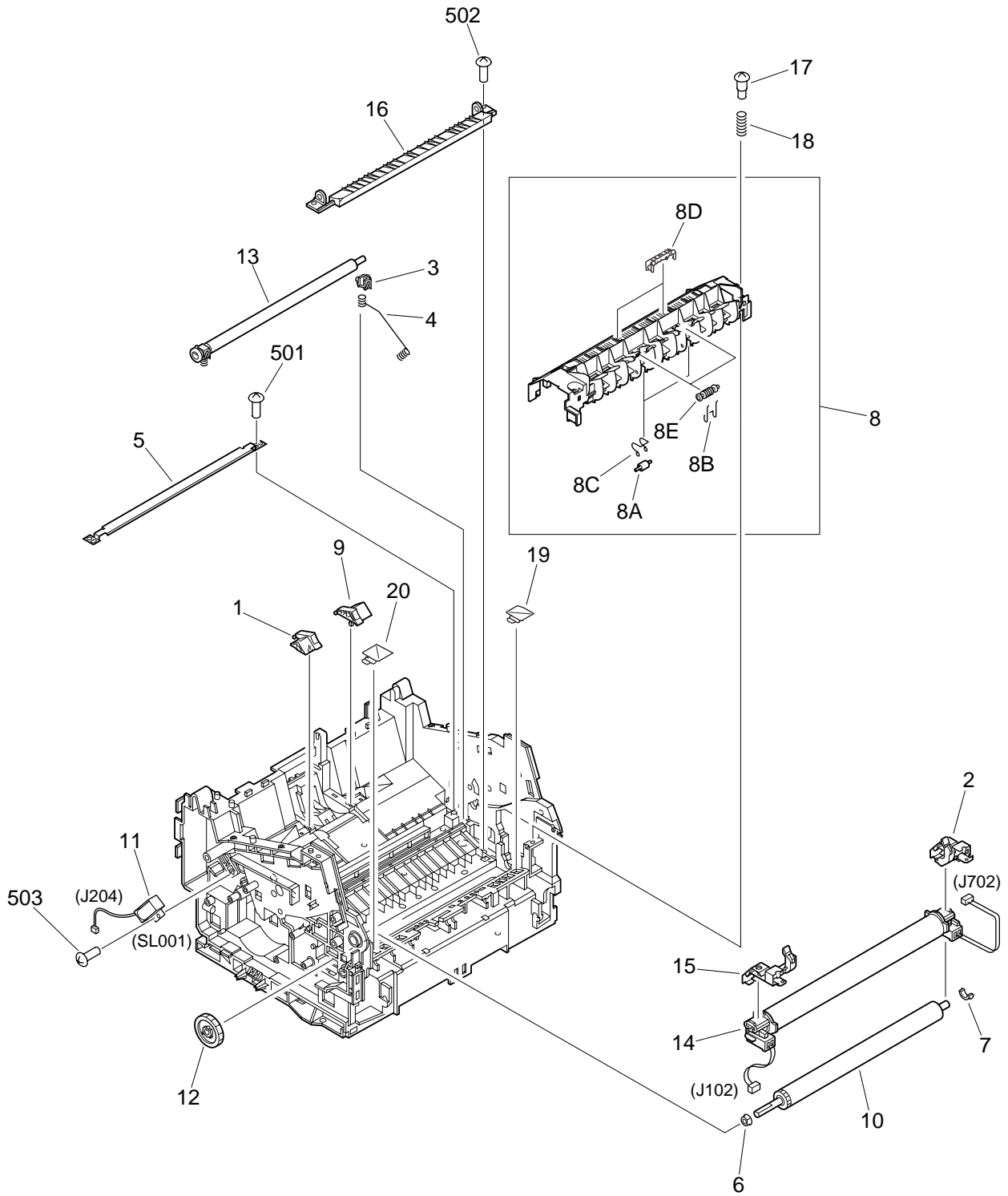


FIGURE & KEY NO.	PART NUMBER	R A N K	Q T Y	DESCRIPTION	SERIAL NUMBER / REMARKS
105 -	NPN		RF	INTERNAL COMPONENTS 4	
1	RF5-2820-020		1	PAD, RUBBER, LEFT	
2	RG5-4592-020		1	FIXING PRESSURE ASS'Y, RIGHT	
3	RB2-3939-020		1	BUSHING, RIGHT	
4	RB2-3940-000		1	SPRING, COMPRESSION	
5	RB2-3950-000		1	GUIDE, TRANSFER	
6	RB2-3956-000		1	BUSHING, LEFT	
7	RB2-3957-000		1	BUSHING, RIGHT	
8	RG5-4593-060		1	DELIVERY ASS'Y	
8A	RB2-4222-000		2	ROLLER, FACE UP	
8B	RB1-7286-000		2	SPRING, WIRE	
8C	RB1-7287-000		2	SPRING, WIRE	
8D	RB2-4330-000		2	PROTECTOR, WRAP	
8E	RB2-4223-000		2	ROLLER, FACE DOWN	
9	RF5-2821-020		1	PAD, RUBBER, RIGHT	
10	RF5-2823-020		1	ROLLER, PRESSURE	
11	RH7-5227-000		1	SOLENOID	SL001, J204
12	RS6-0566-000		1	GEAR, 34T	
13	RG5-4657-020		1	TRANSFER ASS'Y	
14	RG5-4589-040		1	FIXING FILM ASS'Y	100-127V J102, J702
	RG5-4590-040		1	FIXING FILM ASS'Y	220-240V J102, J702
15	RG5-4591-020		1	FIXING PRESSURE ASS'Y, LEFT	
16	RB2-3958-030		1	GUIDE, FIXING	
17	RS5-9134-000		2	SCREW, STEPPED, M3	
18	RS6-2124-000		2	SPRING, COMPRESSION	
19	RB2-4432-000		1	SUB GUIDE, RIGHT	
20	RB2-4431-000		1	SUB GUIDE, LEFT	
501	XB4-7400-805		2	SCREW,TAPPING,TRUSS HEAD,M4X8	
502	XB4-7401-209		2	SCREW,TAPPING,TRUSS HEAD,M4X12	
503	XB4-7401-007		1	SCREW,TAPPING,PAN HEAD,M4X10	

FIGURE 110 ELECTRICAL COMPONENTS ASS'Y

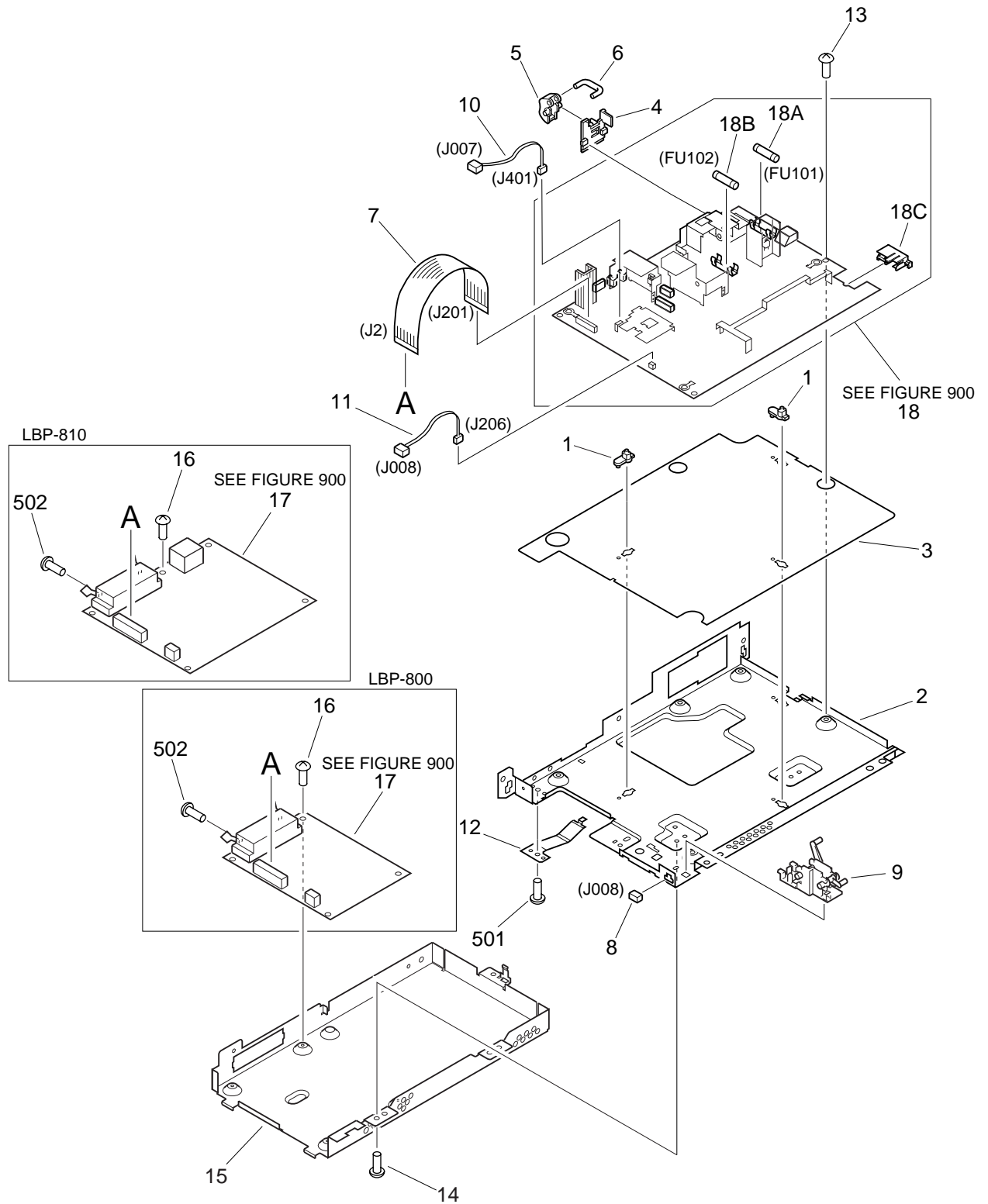


FIGURE & KEY NO.	PART NUMBER	R A N K	Q' T Y	DESCRIPTION	SERIAL NUMBER / REMARKS
110 -	NPN		RF	ELECTRICAL COMPONENTS ASS'Y	
1	RB1-7303-000		3	SPACER, PCB	
2	RB2-3984-000		1	CASE, PRINTER CONTROLLER	
3	RB2-3985-000		1	SHEET, INSULATING	
4	RB2-3986-000		1	HOLDER, POWER SWITCH LEVER	
5	RB2-3987-000		1	LEVER, POWER SWITCH	
6	RB2-3988-000		1	ROD, SWITCH	
7	RH2-5381-000		1	FLAT CABLE	J2, J201
8	VS1-5057-002		1	CONNECTOR, 2P	J008
9	RG5-4599-030		1	DOOR SENSOR ASS'Y	
10	RG5-4618-003		1	MOTOR CABLE	J007, J401
11	RG5-4619-003		1	THERMISTOR CABLE	J008, J206
12	RB2-4049-000		1	PLATE, GROUNDING	
13	XA9-0951-000		5	SCREW, W/WASHER, M3X8	
14	XA9-0267-000		3	SCREW, TP, M3X6	
15	RB2-4640-000		1	CASE, INTERFACE CONTROLLER	LBP-800
	RB2-6636-000		1	CASE, INTERFACE CONTROLLER	LBP-810
16	XA9-0951-000		5	SCREW, W/WASHER, M3X8	LBP-800
	XA9-0951-000		6	SCREW, W/WASHER, M3X8	LBP-810
17	RG1-3984-030		1	INTERFACE CONTROLLER PCB ASS'Y	LBP-800
	RG1-4087-000		1	INTERFACE CONTROLLER PCB ASS'Y	SEE FIGURE 900 LBP-810
18	RG5-5027-080		1	ENGINE CONTROLLER PCB ASS'Y	SEE FIGURE 900 100-127V
	RG5-4606-080		1	ENGINE CONTROLLER PCB ASS'Y	SEE FIGURE 900 220-240V
18A	VD7-0211-002		1	FUSE, AC125V, 10A	SEE FIGURE 900 100-127V FU101
	VD7-0644-001		1	FUSE, 250V, 4A	220-240V FU101
18B	RH3-8002-000		1	FUSE, 125V, 2.5A	100-127V FU102
18C	RB2-3983-000		1	SPACER, ENGINE CONTROLLER	
501	XB2-7300-607		1	SCREW, W/WASHER, M3X6	
502	XB1-1300-807		2	SCREW, MACH., PAN HEAD, M3X8	

FIGURE 330 FEEDER ASS'Y

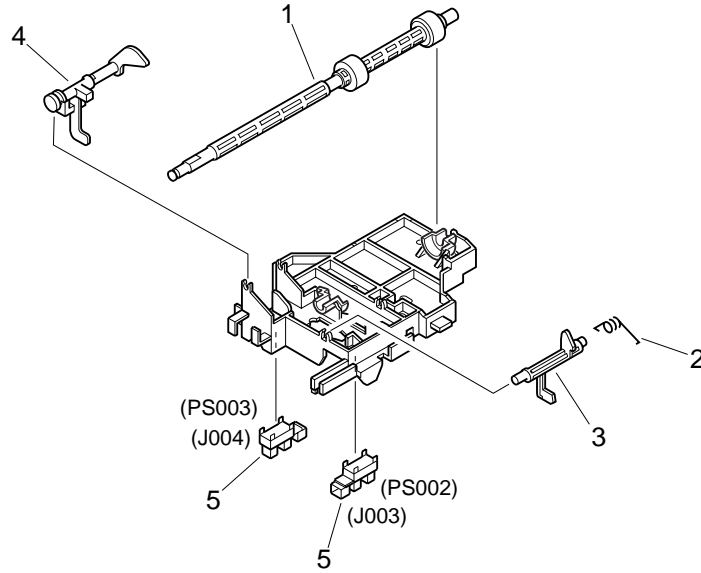


FIGURE & KEY NO.	PART NUMBER	RANK	QTY	DESCRIPTION	SERIAL NUMBER / REMARKS
330 -	RG5-4581-000		1	FEEDER ASS'Y	
1	RB2-3912-000		1	ROLLER	
2	RB2-3917-000		1	SPRING, TORSION	
3	RB2-3914-000		1	LEVER, REGISTRATION SENSOR	
4	RB2-3915-000		1	LEVER, PAPER SENSOR	
5	WG8-5362-000		2	PHOTO-INTERRUPTER, TLP1241	PS002, PS003 J003, J004

FIGURE 900 PCB ASS'Y LOCATION DIAGRAM

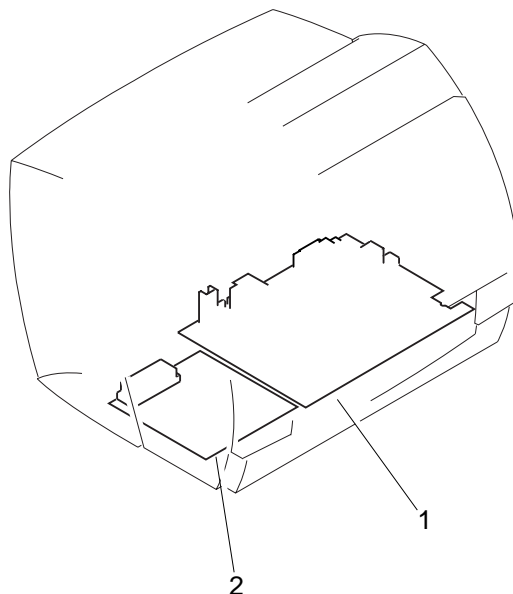


FIGURE & KEY NO.	PART NUMBER	RANK	QTY	DESCRIPTION	SERIAL NUMBER / REMARKS
900 -	NPN		RF	PCB ASS'Y LOCATION DIAGRAM	
1	RG5-5027-080		1	ENGINE CONTROLLER PCB ASS'Y	100-127V
	RG5-4606-080		1	ENGINE CONTROLLER PCB ASS'Y	220-240V
2	RG1-3984-030		1	INTERFACE CONTROLLER PCB ASS'Y	LBP-800
	RG1-4087-000		1	INTERFACE CONTROLLER PCB ASS'Y	LBP-810

B NUMERICAL INDEX

PART NUMBER	FIGURE & KEY NO.	PART NUMBER	FIGURE & KEY NO.	PART NUMBER	FIGURE & KEY NO.
RB1-7286-000	105 - 8B	RG1-4098-000	001 - 1		
RB1-7287-000	105 - 8C	RG1-4099-000	001 - 1		
RB1-7303-000	110 - 1	RG5-4570-000	103 - 4		
RB2-3904-000	103 - 21	RG5-4581-000	330 -		
RB2-3912-000	330 - 1	RG5-4582-060	104 - 17		
RB2-3914-000	330 - 3	RG5-4584-000	103 - 1		
RB2-3915-000	330 - 4	RG5-4585-020	103 - 12		
RB2-3917-000	330 - 2	RG5-4589-040	105 - 14		
RB2-3930-000	103 - 11	RG5-4590-040	105 - 14		
RB2-3931-000	103 - 9	RG5-4591-020	105 - 15		
RB2-3932-000	103 - 10	RG5-4592-020	105 - 2		
RB2-3939-020	105 - 3	RG5-4593-060	105 - 8		
RB2-3940-000	105 - 4	RG5-4599-030	110 - 9		
RB2-3941-000	104 - 1	RG5-4606-080	110 - 18		
RB2-3942-000	104 - 2		900 - 1		
RB2-3943-000	103 - 5	RG5-4616-000	103 - 16		
RB2-3944-000	103 - 6	RG5-4617-000	102 - 16		
RB2-3945-000	103 - 7	RG5-4618-003	110 - 10		
RB2-3946-000	102 - 4	RG5-4619-003	110 - 11		
RB2-3947-000	104 - 3	RG5-4657-020	105 - 13		
RB2-3949-000	103 - 8	RG5-5013-000	102 - 15		
RB2-3950-000	105 - 5	RG5-5016-000	100 - 7		
RB2-3951-000	102 - 5	RG5-5017-000	100 - 8		
RB2-3952-000	102 - 6	RG5-5024-000	100 - 9B		
RB2-3953-000	102 - 7	RG5-5025-000	104 - 18		
RB2-3956-000	105 - 6	RG5-5026-000	104 - 19		
RB2-3957-000	105 - 7	RG5-5027-080	110 - 18		
RB2-3958-030	105 - 16		900 - 1		
RB2-3959-000	102 - 11	RG5-5034-000	103 - 24		
RB2-3960-000	104 - 5	RG5-5036-000	103 - 17		
RB2-3961-000	104 - 6	RG5-5214-000	100 - 1		
RB2-3983-000	110 - 18C	RG5-5216-000	100 - 9		
RB2-3984-000	110 - 2	RG5-5884-000	100 - 9		
RB2-3985-000	110 - 3	RH2-5381-000	110 - 7		
RB2-3986-000	110 - 4	RH3-8002-000	110 - 18B		
RB2-3987-000	110 - 5	RH7-1404-000	102 - 21		
RB2-3988-000	110 - 6	RH7-5227-000	105 - 11		
RB2-4006-000	102 - 12	RS5-2502-000	104 - 11		
RB2-4016-020	104 - 12	RS5-9134-000	105 - 17		
RB2-4026-000	103 - 22	RS6-0563-000	102 - 14		
RB2-4036-000	102 - 20	RS6-0565-000	104 - 13		
RB2-4042-000	102 - 17	RS6-0566-000	105 - 12		
RB2-4044-000	102 - 18	RS6-0567-000	104 - 14		
RB2-4049-000	110 - 12	RS6-0568-000	104 - 15		
RB2-4054-000	102 - 8	RS6-2122-000	104 - 16		
RB2-4055-000	102 - 9	RS6-2124-000	105 - 18		
RB2-4219-000	104 - 20	RS6-2125-000	102 - 13		
RB2-4222-000	105 - 8A	VD7-0211-002	110 - 18A		
RB2-4223-000	105 - 8E	VD7-0644-001	110 - 18A		
RB2-4330-000	105 - 8D	VS1-5057-002	110 - 8		
RB2-4431-000	105 - 20	WG8-5362-000	330 - 5		
RB2-4432-000	105 - 19	WT2-5041-000	103 - 19		
RB2-4637-000	100 - 9A	WT2-5300-000	103 - 20		
RB2-4640-000	110 - 15	WT2-5576-000	103 - 2		
RB2-4641-000	103 - 15A	XA9-0267-000	103 - 18		
RB2-4652-000	103 - 3		110 - 14		
RB2-4654-000	100 - 1A	XA9-0605-000	100 - 1B		
RB2-4655-000	100 - 1C		103 - 14		
RB2-4660-000	100 - 2A	XA9-0779-000	102 - 22		
RB2-4661-000	100 - 3		103 - 23		
RB2-4662-000	100 - 4	XA9-0863-000	103 - 13		
RB2-4663-000	102 - 2	XA9-0951-000	110 - 13		
RB2-4664-000	102 - 3		110 - 16		
RB2-4665-000	100 - 5		110 - 16		
RB2-4666-000	100 - 6	XA9-1170-000	100 - 9C		
RB2-6636-000	110 - 15		102 - 1		
RF5-2818-000	104 - 7	XB1-1300-807	110 - 502		
RF5-2819-000	104 - 8	XB2-7300-607	103 - 501		
RF5-2820-020	105 - 1		110 - 501		
RF5-2821-020	105 - 9	XB4-7400-805	105 - 501		
RF5-2822-000	104 - 9	XB4-7401-007	100 - 501		
RF5-2823-020	105 - 10		102 - 501		
RF5-2829-040	102 - 10		103 - 504		
RF5-2830-000	104 - 10		104 - 501		
RF5-2880-000	102 - 19		105 - 503		
RF5-2886-020	104 - 4	XB4-7401-209	103 - 502		
RF5-3060-000	100 - 2		105 - 502		
RF5-3061-000	100 - 2	XB6-7300-609	102 - 502		
RF5-3062-000	103 - 15	XB6-7300-807	103 - 503		
RG1-3978-000	001 - 1				
RG1-3979-000	001 - 1				
RG1-3984-030	110 - 17				
	900 - 2				
RG1-4087-000	110 - 17				
	900 - 2				

Prepared by
Peripheral Products Quality Planning Div.
Peripheral Products Technical Documentation Dept.
CANON INC.
Printed in Japan

REVISION 0 [SEPT. 1999]
REVISION 1 [FEB. 2001]

5-1, Hakusan 7-chome, Toride-shi, Ibaraki 302-8501, Japan



The printing paper contains
70% waste paper.

Canon