

# **PARTS CATALOG**

**LBP3310/LBP3370**

**Canon**

**Jan 24 2008**



## **PREFACE**

This Parts Catalog contains listings of parts used

Diagrams are provided with the listings to aid the service technician in identifying clearly, the item to be ordered.

Whenever ordering parts, consult this Parts Catalog for all of the information pertaining to each item. Be sure to include, in the Parts Request, the full item description, the item part number, and the quantity.

***COPYRIGHT (C) 1999 CANON INC.***

Use of this manual should be strictly supervised to avoid disclosure of confidential information.



# Contents

## NUMERICAL INDEX

LBP3310/LBP3370(Numerical Index)..... 1-1

## LBP3310/LBP3370(Parts Catalog)

A	ASSEMBLY LOCATION DIAGRAM .....	2-1
001	ACCESSORIES .....	2-3
100	EXTERNAL COVERS, PANELS, ETC. ....	2-5
101	CARTRIDGE DOOR ASS'Y .....	2-7
102	INTERNAL COMPONENTS 1 .....	2-9
103	INTERNAL COMPONENTS 2 .....	2-12
104	INTERNAL COMPONENTS 3 .....	2-15
105	INTERNAL COMPONENTS 4 .....	2-18
110	ENGINE CONTROLLER ASS'Y .....	2-21
250	MAIN DRIVE ASS'Y .....	2-23
251	DUPLEXING DRIVE ASS'Y .....	2-25
300	CASSETTE .....	2-27
360	DUPLEXING PAPER FEED ASS'Y .....	2-29
810	FIXING ASS'Y .....	2-31



# NUMERICAL INDEX

## LBP3310/LBP3370(Numerical Index)

PARTS NUMBER	FIGURE & KEY NO.	PARTS NUMBER	FIGURE & KEY NO.	PARTS NUMBER	FIGURE & KEY NO
FC5-5256-000	100 - 1	FM3-3585-000	100 - 9	RC1-3482-000	102 - 24
FC7-0496-000	100 - 1	FM3-3586-000	100 - 2	RC1-3489-000	300 - 3
FC7-0797-000	102 - 15	FM3-3587-000	810 -	RC1-3490-000	300 - 12
FC7-0806-000	104 - 2	FM3-3588-000	810 -	RC1-3492-000	300 - 5
FC7-0810-000	100 - 17	FM3-3589-000	300 -	RC1-3507-000	300 - 7
FC7-0812-000	100 - 16	FM3-3590-000	300 - 9	RC1-3508-000	300 - 13
FC7-1514-000	102 - 33	FM3-3591-000	102 - 1	RC1-3535-000	103 - 28
FC7-3192-000	100 - 14	FM3-3592-000	101 -	RC1-3541-000	105 - 22
FC7-3206-000	102 - 34	FM3-3593-000	101 -	RC1-3542-000	105 - 25
FC8-0061-000	100 - 3	FM3-3594-000	101 - 1	RC1-3543-000	105 - 24
FC8-0065-000	101 - 4	FM3-3595-000	101 - 6	RC1-3546-000	103 - 18
FC8-0067-000	100 - 6	FM3-3596-000	100 - 10	RC1-3561-000	105 - 26
FC8-0073-000	101 - 8	FM3-3599-000	100 - 4	RC1-3562-000	105 - 15
FC8-0074-000	101 - 9	FM3-3600-000	100 - 4	RC1-3563-000	104 - 24
FC8-0082-000	100 - 12	FM3-3601-000	100 - 4	RC1-3565-000	104 - 22
FC8-0083-000	100 - 13	FM3-3602-000	100 - 4	RC1-3580-000	103 - 17
FC8-0084-000	103 - 6	FM3-3608-000	110 -	RC1-3604-000	810 - 12
FC8-0085-000	102 - 35	FM3-3612-000	101 -	RC1-3605-000	810 - 32
FC8-0086-000	102 - 36	FM3-3613-000	101 -	RC1-3606-000	810 - 37
FC8-0097-000	101 - 4	FM3-4204-000	102 - 2	RC1-3607-000	810 - 36
FC8-0103-000	101 - 10	FM3-4282-000	101 -	RC1-3611-000	810 - 27
FC8-0104-000	101 - 11	FM3-4283-000	110 -	RC1-3613-000	810 - 26
FC8-0105-000	101 - 11	FM3-4284-000	110 -	RC1-3614-000	810 - 25
FC8-0106-000	300 - 2	FM3-4302-000	110 - 1	RC1-3615-000	810 - 10
FC8-0107-000	104 - 6	FM3-4341-000	100 - 11	RC1-3616-000	810 - 8
FC8-0108-000	104 - 5	FM3-4344-000	100 - 11	RC1-3617-000	810 - 31
FC8-0109-000	100 - 19	FM3-4539-000	102 - 13	RC1-3618-000	810 - 24
FC8-0110-000	100 - 18	NPN	001 -	RC1-3619-000	810 - 28
FC8-0113-000	101 - 9	NPN	100 -	RC1-3622-000	810 - 35
FC8-0115-000	101 - 4	NPN	102 -	RC1-3623-000	810 - 3
FC8-0116-000	101 - 4	NPN	103 -	RC1-3624-000	810 - 4
FK2-6894-000	001 - 1	NPN	104 -	RC1-3625-000	810 - 19
FK2-6895-000	001 - 1	NPN	105 -	RC1-3627-000	810 - 20
FK2-6896-000	001 - 1	RA0-1068-000	105 - 9	RC1-3628-000	810 - 13
FK2-6897-000	001 - 1	RA0-1090-000	810 - 5	RC1-3633-000	810 - 33
FK2-6898-000	001 - 1	RA0-1189-000	810 - 1	RC1-3665-000	102 - 30
FK2-7116-000	001 - 1	RB2-2895-000	102 - 20	RC1-3668-000	102 - 5
FK2-7117-000	001 - 1	RB2-2896-000	102 - 23	RC1-3695-000	104 - 21
FK2-7118-000	001 - 1	RB2-2897-020	102 - 8	RC1-3698-000	104 - 1
FK2-7119-000	001 - 1	RC1-0944-000	105 - 16	RC1-3700-000	104 - 17
FL2-8044-000	100 - 8	RC1-0950-000	105 - 32	RC1-3702-000	104 - 13
FM2-6192-000	300 - 10	RC1-3456-000	103 - 30	RC1-3708-000	104 - 7
FM2-6194-000	100 - 5	RC1-3457-000	103 - 32	RC1-3719-000	105 - 29
FM2-6644-000	102 - 37	RC1-3459-000	103 - 23	RC1-3727-000	103 - 40
FM2-6703-000	810 - 7	RC1-3461-000	105 - 5	RC1-3736-000	104 - 11
FM2-6704-000	810 - 7	RC1-3462-000	105 - 23	RC1-4198-000	300 - 4
FM2-6707-000	300 - 1	RC1-3463-000	105 - 21	RC2-0295-000	810 - 18
FM2-8329-000	100 - 5	RC1-3470-000	102 - 21	RC2-0296-000	810 - 16
FM2-8337-000	100 - 4	RC1-3471-000	102 - 18	RC2-0297-000	810 - 11
FM2-8342-000	100 - 15	RC1-3472-000	102 - 19	RC2-0298-000	810 - 30
FM2-8344-000	100 - 4	RC1-3477-000	101 -	RC2-0299-000	810 - 15
FM2-8345-000	100 - 4	RC1-3481-000	102 - 25	RC2-0300-000	810 - 34

# NUMERICAL INDEX

## LBP3310/LBP3370(Numerical Index)

PARTS NUMBER	FIGURE & KEY NO.	PARTS NUMBER	FIGURE & KEY NO.	PARTS NUMBER	FIGURE & KEY NO
RC2-0303-000	810 - 14	RK2-0534-000	105 - 14	RU5-2323-000	102 - 26
RC2-0311-000	100 - 7	RK2-1302-000	103 - 44	RU5-2324-000	300 - 11
RC2-0323-010	102 - 31	RK2-1315-000	103 - 43	RU5-2327-000	300 - 8
RC2-0334-000	105 - 10	RK2-1567-000	103 - 33	RU5-2335-000	103 - 4
RC2-0335-000	105 - 7	RK2-1587-000	105 - 11	RU5-2337-000	105 - 27
RC2-0339-000	105 - 3	RK2-1589-000	103 - 11	RU5-2338-000	104 - 23
RC2-0340-000	105 - 13	RK2-2692-000	103 - 43	RU5-2894-000	102 - 17
RC2-0342-000	105 - 30	RL1-0517-000	103 - 29	RU5-2895-000	101 - 7
RC2-0344-000	104 - 16	RL1-0518-000	105 - 6	RU5-2898-000	102 - 10
RC2-0346-000	103 - 25	RL1-0522-020	300 - 16	RU5-2901-000	810 - 2
RC2-0349-000	103 - 10	RL1-0527-000	102 - 32	RU5-8243-000	100 - 20
RC2-0350-000	103 - 12	RL1-0540-000	102 - 22	VS1-7258-007	103 - 15
RC2-0351-000	103 - 37	RL1-1524-000	102 - 11	XA9-1420-000	104 - 20
RC2-0354-000	103 - 2	RL1-1525-000	105 - 34	XA9-1422-000	104 - 12
RC2-0356-000	104 - 27	RL1-1531-000	105 - 19	XA9-1422-000	810 - 29
RC2-0357-000	104 - 30	RM1-1251-000	810 - 22	XA9-1469-000	102 - 4
RC2-0358-000	104 - 25	RM1-1262-000	103 - 9	XA9-1495-000	103 - 7
RC2-0359-000	104 - 29	RM1-1283-000	104 - 10	XA9-1495-000	105 - 12
RC2-0384-000	104 - 19	RM1-1288-000	101 -	XA9-1503-000	102 - 29
RC2-0386-000	105 - 33	RM1-1291-000	810 - 38	XA9-1503-000	103 - 31
RC2-0387-000	105 - 31	RM1-1295-000	300 - 15	XA9-1503-000	810 - 6
RC2-0388-000	105 - 36	RM1-1296-000	300 - 14	XA9-1504-000	100 - 21
RC2-0392-000	103 - 3	RM1-1297-020	300 - 17	XA9-1504-000	103 - 1
RC2-0396-000	103 - 13	RM1-1301-000	102 - 7	XA9-1504-000	104 - 9
RC2-0397-000	103 - 35	RM1-1321-000	104 - 8	XA9-1504-000	105 - 4
RC2-0405-000	103 - 21	RM1-4159-000	104 - 14	XA9-1561-000	103 - 26
RC2-0406-000	103 - 20	RM1-4162-000	102 - 12	XA9-1648-000	103 - 42
RC2-0410-000	103 - 19	RM1-4163-000	103 - 5	XB1-2300-605	102 - 503
RC2-0414-000	102 - 9	RM1-4164-000	103 - 36	XB2-6400-607	103 - 502
RC2-0415-000	102 - 14	RM1-4168-000	103 - 14	XB2-7400-606	103 - 501
RC2-0416-000	103 - 34	RM1-4169-000	103 - 39	XB4-5300-609	100 - 501
RC2-0419-000	102 - 16	RM1-4244-000	104 - 4	XB4-7300-805	101 - 501
RC2-0420-000	105 - 35	RM1-4245-000	104 - 15	XB4-7300-809	102 - 502
RC2-0421-000	101 - 5	RM1-4253-000	250 -	XB4-7300-809	104 - 502
RC2-0422-000	101 - 3	RM1-4255-000	251 -	XB4-7300-809	810 - 21
RC2-0423-000	105 - 20	RM1-4256-000	251 - 1	XB4-7401-005	102 - 501
RC2-0424-000	105 - 28	RM1-4257-000	251 - 2	XB4-7401-005	104 - 501
RC2-0425-000	105 - 1	RM1-4258-000	360 -	XB4-7401-005	300 - 501
RC2-0426-000	103 - 27	RM1-4262-000	103 - 41		
RC2-0427-000	105 - 2	RM1-4263-000	102 - 3		
RC2-0428-000	103 - 24	RM1-4268-000	101 - 2		
RC2-0429-000	810 - 23	RM1-4275-000	105 - 8		
RC2-0431-000	810 - 17	RM1-4279-000	104 - 28		
RC2-1568-000	103 - 16	RU5-0320-000	104 - 3		
RC2-1569-000	102 - 6	RU5-0328-000	300 - 6		
RH9-1164-000	103 - 43	RU5-0330-000	810 - 9		
RH9-1166-000	103 - 43	RU5-0331-000	102 - 27		
RH9-1169-000	103 - 43	RU5-0332-000	102 - 28		
RH9-1171-000	103 - 45	RU5-0927-000	105 - 17		
RK2-0381-000	103 - 38	RU5-0928-000	105 - 18		
RK2-0420-000	103 - 8	RU5-0929-000	104 - 18		
RK2-0424-000	103 - 22	RU5-2144-000	104 - 26		



# LBP3310/LBP3370(Parts Catalog)

## Satera LBP3310

100V	F15-1811-000	LXMA
------	--------------	------

## LASER SHOT LBP3310

120V	F15-1831-000	LXNA
------	--------------	------

230V ASIA	F15-1841-000	LXQA
-----------	--------------	------

230V AUS	F15-1841-000	LXSA
----------	--------------	------

230V CN	F15-1851-000	LXRA
---------	--------------	------

## i-SENSYS LBP3310

230V EUR	F15-1891-000	LXPA
----------	--------------	------

## LASER SHOT LBP3370

230V ASIA	F15-1941-000	LYAA
-----------	--------------	------

230V AUS	F15-1941-000	LYCA
----------	--------------	------

230V CN	F15-1951-000	LYBA
---------	--------------	------

## i-SENSYS LBP3370

230V EUR	F15-1991-000	LXYA
----------	--------------	------

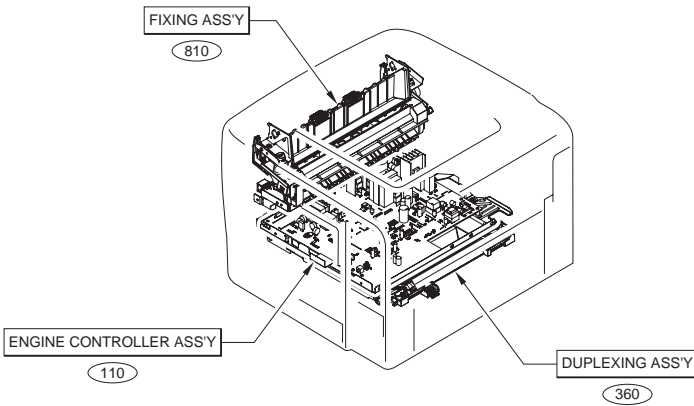
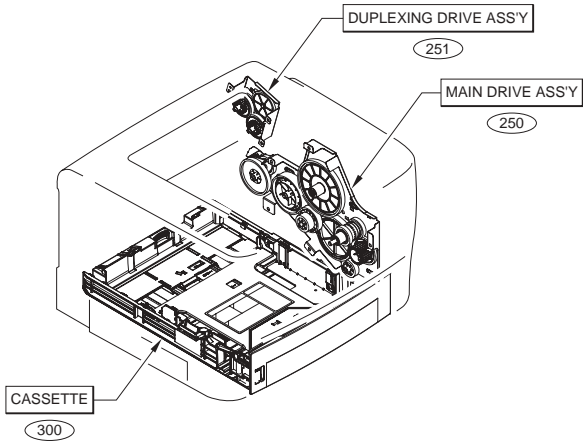


# Contents

A	ASSEMBLY LOCATION DIAGRAM .....	2-1
001	ACCESSORIES .....	2-3
100	EXTERNAL COVERS, PANELS, ETC. ....	2-5
101	CARTRIDGE DOOR ASS'Y .....	2-7
102	INTERNAL COMPONENTS 1 .....	2-9
103	INTERNAL COMPONENTS 2 .....	2-12
104	INTERNAL COMPONENTS 3 .....	2-15
105	INTERNAL COMPONENTS 4 .....	2-18
110	ENGINE CONTROLLER ASS'Y .....	2-21
250	MAIN DRIVE ASS'Y .....	2-23
251	DUPLEXING DRIVE ASS'Y .....	2-25
300	CASSETTE .....	2-27
360	DUPLEXING PAPER FEED ASS'Y .....	2-29
810	FIXING ASS'Y .....	2-31

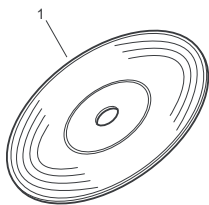


# FIGURE A ASSEMBLY LOCATION DIAGRAM



No.	Model Name(English)	Model Name(Japanese)
1	PAPER FEEDER PF-35/35P	PAPER FEEDER PF-35/35P

# FIGURE 001 ACCESSORIES



LBP3370

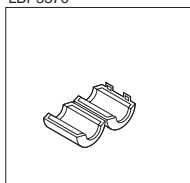


FIGURE & KEY NO.	PARTS NUMBER	RANK	Q'TY	DESCRIPTION	SERIAL NUMBER/REMARKS	SVC
Fig.001	NPN		RF	ACCESSORIES		
1	FK2-6894-000		1	CD-ROM, USER SOFTWARE	LBP3310Japanese	
1	FK2-6895-000		1	CD-ROM, USER SOFTWARE	LBP3310English/French/ Italian/German/Spanish/ Russian	
1	FK2-6896-000		1	CD-ROM, USER SOFTWARE	LBP3310English/German/ Portuguese	
1	FK2-6897-000		1	CD-ROM, USER SOFTWARE	LBP3310English	
1	FK2-6898-000		1	CD-ROM, USER SOFTWARE	LBP3310English/Spanish/ Simplified Chinese/ Korean/Portuguese/Thai	
1	FK2-7116-000		1	CD-ROM, USER SOFTWARE	LBP3370English/French/ German/Italian/Spanish/ Russian	
1	FK2-7117-000		1	CD-ROM, USER SOFTWARE	LBP3370Dutch/Danish/ Norwegian/Finnish/ Swedish/Polish	
1	FK2-7118-000		1	CD-ROM, USER SOFTWARE	LBP3370English/Spanish/ Simplified Chinese/Korean	
1	FK2-7119-000		1	CD-ROM, USER SOFTWARE	LBP3370English	



# FIGURE 100 EXTERNAL COVERS, PANELS, ETC.

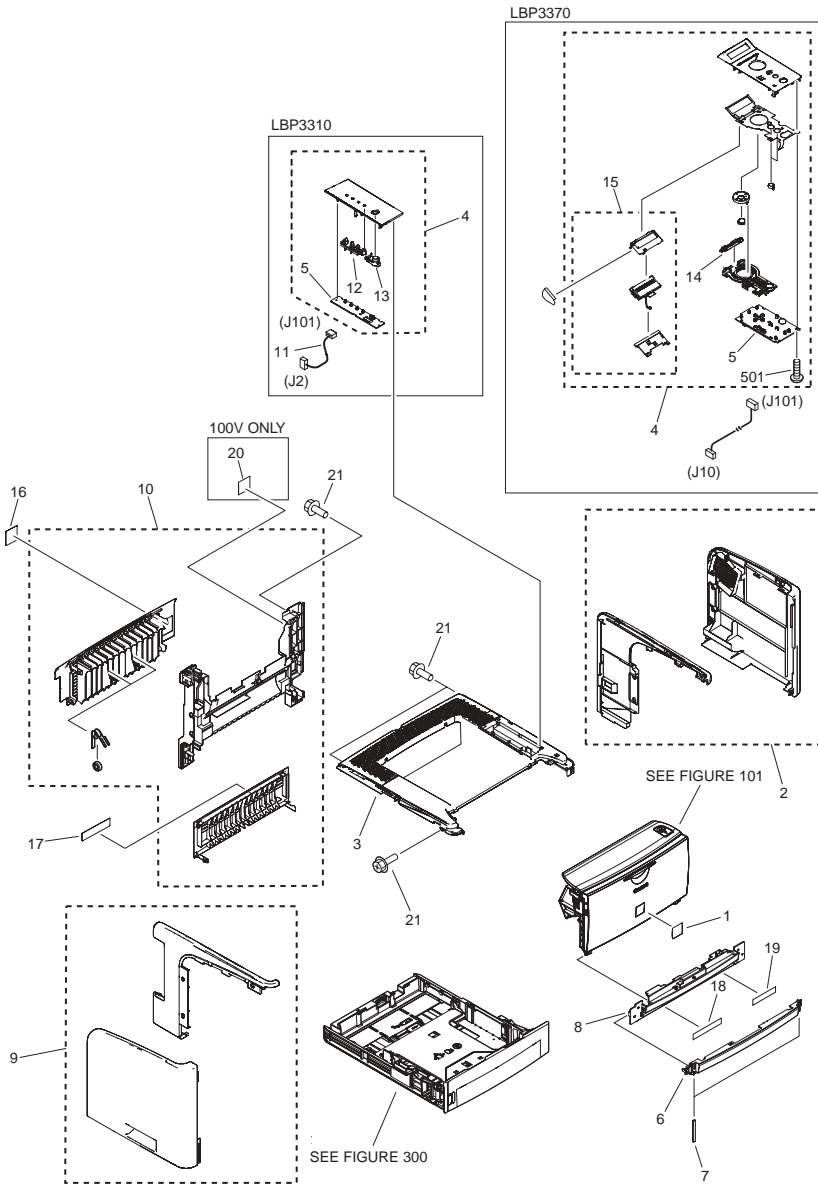


FIGURE & KEY NO.	PARTS NUMBER	R A N K	Q'TY	DESCRIPTION	SERIAL NUMBER/ REMARKS	S V C
Fig.100	NPN		RF	EXTERNAL COVERS, PANELS, ETC.		
1	FC5-5256-000		1	EMBLEM	100V	
1	FC7-0496-000		1	EMBLEM	120V/230V	
2	FM3-3586-000		1	RIGHT COVER ASS'Y		
3	FC8-0061-000		1	COVER, TOP		
4	FM3-3599-000		1	CONTROL PANEL ASS'Y	LBP3310 LXMA	
4	FM3-3600-000		1	CONTROL PANEL ASS'Y	LBP3310 LXNA,LXPA	
4	FM3-3601-000		1	CONTROL PANEL ASS'Y	LBP3310 LXQA,LXSA	
4	FM3-3602-000		1	CONTROL PANEL ASS'Y	LBP3310 LXRA	
4	FM2-8337-000		1	CONTROL PANEL ASS'Y	LBP3370 LXYA	
4	FM2-8345-000		1	CONTROL PANEL ASS'Y	LBP3370 LYAA,LYCA	
4	FM2-8344-000		1	CONTROL PANEL ASS'Y	LBP3370 LYBA	
5	FM2-6194-000		1	DISPLAY PCB ASS'Y	LBP3310	
5	FM2-8329-000		1	DISPLAY PCB ASS'Y	LBP3370	
6	FC8-0067-000		1	COVER, FRONT UPPER		
7	RC2-0311-000		2	SHEET, NOISE ABSORB		
8	FL2-8044-000		1	COVER, FRONT LOWER		
9	FM3-3585-000		1	LEFT COVER ASS'Y		
10	FM3-3596-000		1	REAR COVER ASS'Y		
11	FM3-4341-000		1	CABLE, PANEL	LBP3310	
11	FM3-4344-000		1	CABLE, PANEL	LBP3370	
12	FC8-0082-000		1	GUEDE, LIGHT	LBP3310	
13	FC8-0083-000		1	KEYTOP, JOB/CANCEL	LBP3310	
14	FC7-3192-000		1	GUEDE, LIGHT	LBP3370	
15	FM2-8342-000		1	LCD COVER UNIT	LBP3370	
16	FC7-0812-000		1	LABEL, FIXING PRESSURE RELEASE		
17	FC7-0810-000		1	LABEL, DUPLEXING SIZE CONTROL		
18	FC8-0110-000		1	LABEL, DUPLEXING RELEASE LEVER		
19	FC8-0109-000		1	LABEL, PREVENTION		
20	RU5-8243-000		1	LABEL, EARTH CONNECT	100V	
21	XA9-1504-000		8	SCREW,RS,M3X8		
501	XB4-5300-609		2	SCREW,P,M3X6	LBP3370	

# FIGURE 101 CARTRIDGE DOOR ASS'Y

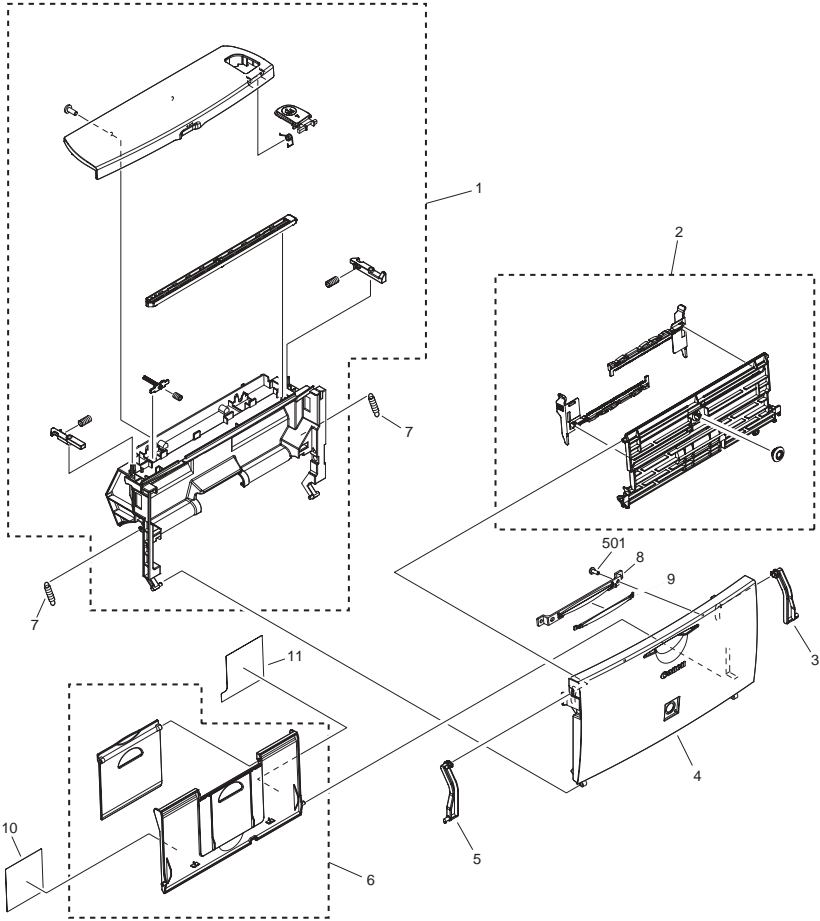


FIGURE & KEY NO.	PARTS NUMBER	R A N K	Q'TY	DESCRIPTION	SERIAL NUMBER/ REMARKS	S V C
Fig.101	FM3-3592-000		1	CARTRIDGE DOOR ASS'Y	LBP3310 LXMA	
Fig.101	FM3-3593-000		1	CARTRIDGE DOOR ASS'Y	LBP3310 LXPA	
Fig.101	FM3-4282-000		1	CARTRIDGE DOOR ASS'Y	LBP3310 LXNA,LXQA,LXSA,LXRA	
Fig.101	FM3-3613-000		1	CARTRIDGE DOOR ASS'Y	LBP3370 LXYA	
Fig.101	FM3-3612-000		1	CARTRIDGE DOOR ASS'Y	LBP3370 LYAA,LYCA,LYBA	
1	FM3-3594-000		1	INNER COVER ASS'Y		
2	RM1-4268-000		1	MP LIFTING PLATE ASS'Y		
3	RC2-0422-000		1	HINGE, MULTI-PURPOSE, RIGHT		
4	FC8-0065-000		1	COVER, MULTI-PURPOSE	LBP3310 LXMA,LXNA,LXQA,LXSA, LXRA	
4	FC8-0097-000		1	COVER, MULTI-PURPOSE	LBP3310 LXPA	
4	FC8-0115-000		1	COVER, MULTI-PURPOSE	LBP3370 LYAA,LYCA,LYBA	
4	FC8-0116-000		1	COVER, MULTI-PURPOSE	LBP3370 LXYA	
5	RC2-0421-000		1	HINGE, MULTI-PURPOSE, LEFT		
6	FM3-3595-000		1	EXPANSION TRAY ASS'Y		
7	RU5-2895-000		2	SPRING, TENSION		
8	FC8-0073-000		1	MOUNT, HANDLE		
9	FC8-0074-000		1	HANDLE	LBP3310	
9	FC8-0113-000		1	HANDLE	LBP3370	
10	FC8-0103-000		1	LABEL, PRINT INSTRUCTION		
11	FC8-0104-000		1	LABEL, PAPER SIZE	100V	
11	FC8-0105-000		1	LABEL, PAPER SIZE	120V/230V	
501	XB4-7300-805		2	SCREW, TP, BH3X8, S		
	RC1-3477-000		1	ROLLER,PAPER FEEDER		
	RM1-1288-000		1	PAPER RE-PICK UP ASS'Y		

# FIGURE 102 INTERNAL COMPONENTS 1

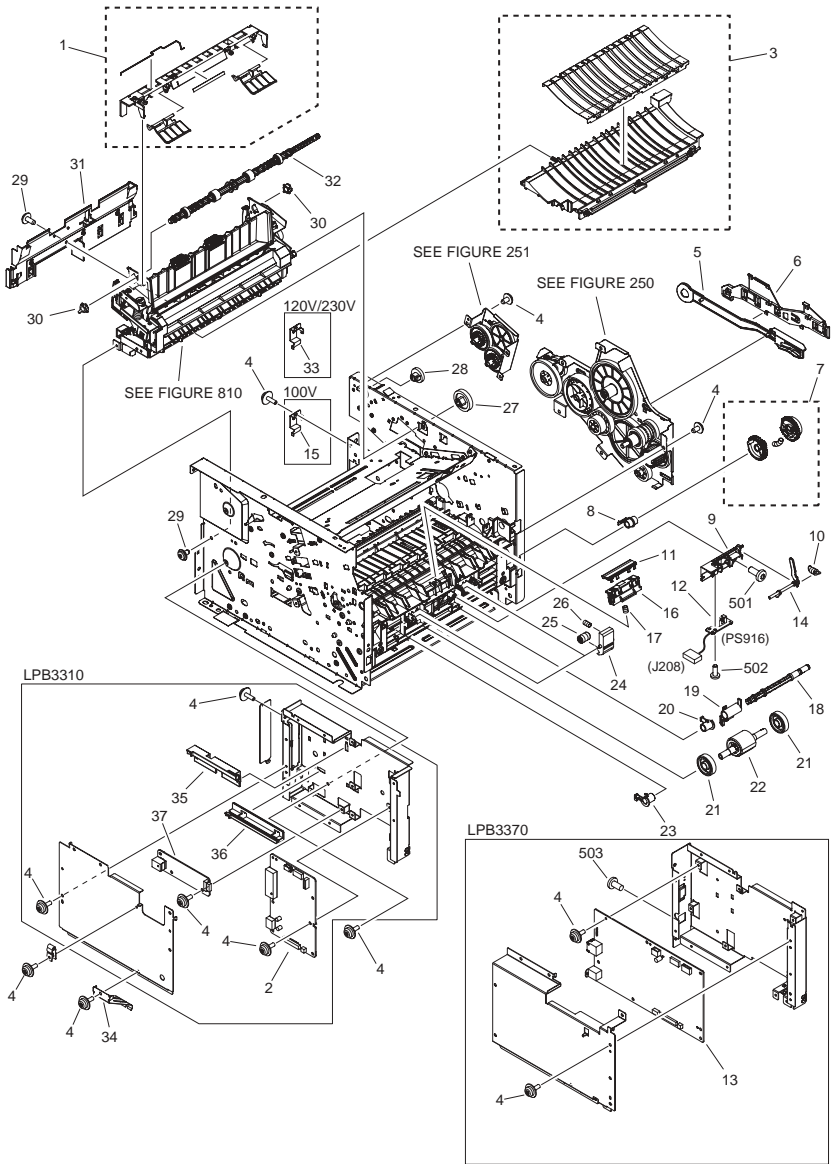


FIGURE & KEY NO.	PARTS NUMBER	R A N K	Q'TY	DESCRIPTION	SERIAL NUMBER/ REMARKS	S V C
Fig.102	NPN		RF	INTERNAL COMPONENTS 1		
1	FM3-3591-000		1	PAPER RETAINING ASS'Y		
2	FM3-4204-000		1	VIDEO CONTROLLER PCB ASS'Y	LBP3310	
3	RM1-4263-000		1	PAPER FEED GUIDE ASS'Y		
4	XA9-1469-000		26	SCREW, TP,M3X6		
5	RC1-3668-000		1	LINK, GEAR RELEASE		
6	RC2-1569-000		1	GUIDE, CABLE		
7	RM1-1301-000		1	PAPER PICK-UP GEAR ASS'Y		
8	RB2-2897-020		1	BUSHING		
9	RC2-0414-000		1	HOLDER, M.P. SENSOR		
10	RU5-2898-000		1	SPRING, TENSION		
11	RL1-1524-000		1	PAD, M.P. SEPARATION		
12	RM1-4162-000		1	M.P. SENSOR PCB ASS'Y		
13	FM3-4539-000		1	VIDEO CONTROLLER PCB ASS'Y	LBP3370	
14	RC2-0415-000		1	FLAG, M.P. SENSOR		
15	FC7-0797-000		1	PLATE, GROUNDING	100V	
16	RC2-0419-000		1	BASE, SEPARATION PAD		
17	RU5-2894-000		1	SPRING, COMPRESSION		
18	RC1-3471-000		1	SHAFT, PAPER PICK-UP DRIVE		
19	RC1-3472-000		1	FLAG, PAPER SENSING		
20	RB2-2895-000		1	BUSHING, RIGHT		
21	RC1-3470-000		2	ROLLER, PAPER PICK-UP IDLER		
22	RL1-0540-000		1	ROLLER, PAPER PICK-UP		
23	RB2-2896-000		1	BUSHING, LEFT		
24	RC1-3482-000		2	ARM, IDLER ROLLER		
25	RC1-3481-000		2	ROLLER, IDLER		
26	RU5-2323-000		2	SPRING, COMPRESSION		
27	RU5-0331-000		1	GEAR, 29T		
28	RU5-0332-000		1	GEAR, 19T		
29	XA9-1503-000		2	SCREW, TAP, M3X6		
30	RC1-3665-000		2	BUSHING		
31	RC2-0323-010		1	GUIDE, REVERSE		

FIGURE & KEY NO.	PARTS NUMBER	RANK	Q'TY	DESCRIPTION	SERIAL NUMBER/REMARKS	SVC
32	RL1-0527-000		1	ROLLER, FACE-DOWN		
33	FC7-1514-000		1	PLATE, GROUNDING	120V/230V	
34	FC7-3206-000		1	PLATE, GROUNDING		
35	FC8-0085-000		1	RAIL, NIC, UPPER	LBP3310	
36	FC8-0086-000		1	RAIL, NIC, LOWER	LBP3310	
37	FM2-6644-000		1	USB BOARD PCB ASSEMBLY	LBP3310	
501	XB4-7401-005		AR	SCREW,TAPPING,TRUSS HEAD,M4X10		
502	XB4-7300-809		1	SCREW, TAP, BINDING HEAD, M3X8		
503	XB1-2300-605		1	SCREW, MACHINE M3X6		

# FIGURE 103 INTERNAL COMPONENTS 2

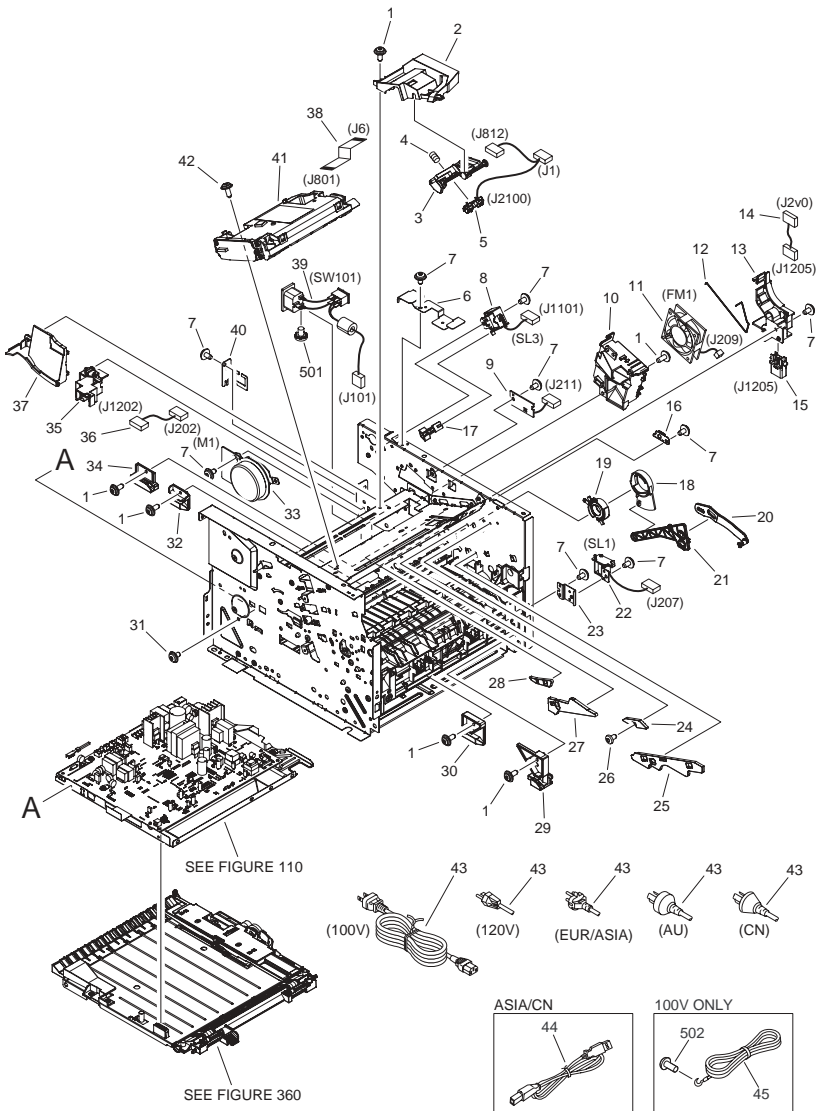




FIGURE & KEY NO.	PARTS NUMBER	R A N K	Q'TY	DESCRIPTION	SERIAL NUMBER/ REMARKS	S V C
Fig.103	NPN		RF	INTERNAL COMPONENTS 2		
1	XA9-1504-000		8	SCREW,RS,M3X8		
2	RC2-0354-000		1	DUCT		
3	RC2-0392-000		1	ARM, TAG		
4	RU5-2335-000		1	SPRING, COMPRESSION		
5	RM1-4163-000		1	CABLE, MEMORY TAG		
6	FC8-0084-000		1	SHIELD, SOLENOID		
7	XA9-1495-000		10	SCREW, RS, M3X6		
8	RK2-0420-000		1	SOLENOID	SL3	
9	RM1-1262-000		1	DUPLEX DRIVER PCB ASS'Y		
10	RC2-0349-000		1	HOLDER, FAN		
11	RK2-1589-000		1	FAN	FM1	
12	RC2-0350-000		1	ROD, GROUNDING		
13	RC2-0396-000		1	HOLDER, DRAWER CONNECTOR		
14	RM1-4168-000		1	CABLE ASS'Y		
15	VS1-7258-007		1	CONNECTOR, DRAWER		
16	RC2-1568-000		1	PLATE, GROUNDING		
17	RC1-3580-000		1	STOPPER		
18	RC1-3546-000		1	CAM, RIGHT		
19	RC2-0410-000		1	CAM		
20	RC2-0406-000		1	ARM, LINK		
21	RC2-0405-000		1	ARM, CAM		
22	RK2-0424-000		1	SOLENOID	SL1	
23	RC1-3459-000		1	PLATE, SOLENOID HOLDER		
24	RC2-0428-000		1	GUIDE, SHUTTER, FRONT		
25	RC2-0346-000		1	GUIDE, CRG., RIGHT LOWER		
26	XA9-1561-000		1	SCREW, RS, M3X6		
27	RC2-0426-000		1	GUIDE, CRG., RIGHT UPPER		
28	RC1-3535-000		1	GUIDE, SHUTTER, REAR		
29	RL1-0517-000		1	GUIDE, CASSETTE, RIGHT FRONT		
30	RC1-3456-000		1	GUIDE, CASSETTE,RIGHT CENTER 1		
31	XA9-1503-000		3	SCREW, TAP, M3X6		

FIGURE & KEY NO.	PARTS NUMBER	R A N K	Q'TY	DESCRIPTION	SERIAL NUMBER/ REMARKS	S V C
32	RC1-3457-000		1	GUIDE, CASSETTE,RIGHT CENTER 2		
33	RK2-1567-000		1	MOTOR, DC	M1	
34	RC2-0416-000		1	GUIDE, CASSETTE, RIGHT REAR		
35	RC2-0397-000		1	GUIDE, CABLE		
36	RM1-4164-000		1	CABLE ASS'Y		
37	RC2-0351-000		1	DUCT		
38	RK2-0381-000		1	CABLE, FLEXIBLE FLAT, 13P		
39	RM1-4169-000		1	INLET/SWITCH CABLE ASS'Y		
40	RC1-3727-000		1	HOLDER, SWITCH		
41	RM1-4262-000		1	SCANNER ASS'Y		
42	XA9-1648-000		4	SCREW, TP, M3X8		
43	RK2-2692-000		1	CORD, POWER, 230V	100V	
43	RH9-1164-000		1	POWER CORD	120V	
43	RK2-1315-000		1	CORD, POWER, 230V	EUR/ASIA	
43	RH9-1169-000		1	POWER CORD	AU	
43	RH9-1166-000		1	POWER CORD	CN	
44	RK2-1302-000		1	CABLE, USB HOST POWER SUPPLY	ASIA/CN	
45	RH9-1171-000		1	WIRE, GROUNDING	100V	
501	XB2-7400-606		1	SCREW, TOOTHED WASHER, M4X6		
502	XB2-6400-607		1	SCREW, WWASHER, M4X6 (S)	100V	

FIGURE 104  
INTERNAL COMPONENTS 3

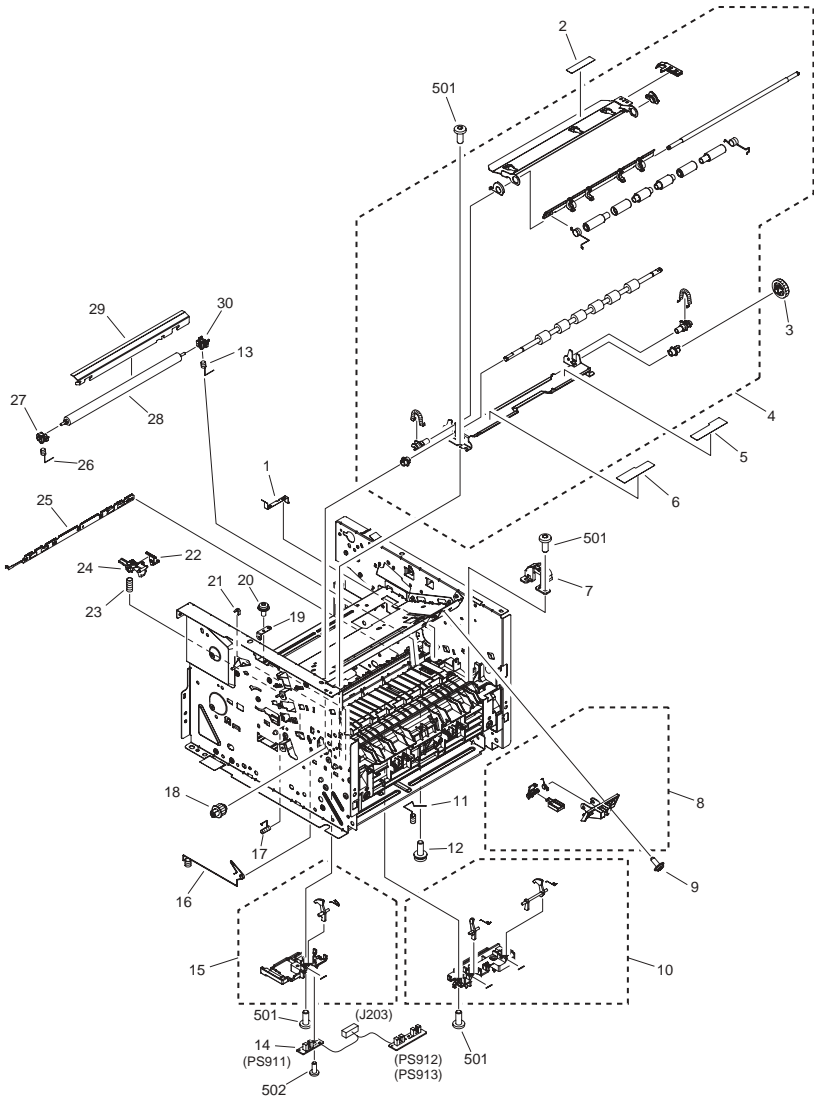


FIGURE & KEY NO.	PARTS NUMBER	RANK	Q'TY	DESCRIPTION	SERIAL NUMBER/REMARKS	SVC
Fig.104	NPN		RF	INTERNAL COMPONENTS 3		
1	RC1-3698-000		1	PLATE, TRANSFER GROUNDING		
2	FC7-0806-000		1	LABEL, TRANSFER GUIDE OPEN		
3	RU5-0320-000		1	GEAR, 33T		
4	RM1-4244-000		1	REGISTRATION ASS'Y		
5	FC8-0108-000		1	LABEL, JAM CLEARING		
6	FC8-0107-000		1	LABEL, FIXING PRESSURE RELEASE		
7	RC1-3708-000		1	COVER, REGISTRATION GEAR		
8	RM1-1321-000		1	SHUTTER LINK ASS'Y		
9	XA9-1504-000		1	SCREW,RS,M3X8		
10	RM1-1283-000		1	TOP SENSOR ASS'Y		
11	RC1-3736-000		1	SPRING, COMPRESSION		
12	XA9-1422-000		1	SCREW, W/WASHER, M4X12		
13	RC1-3702-000		1	SPRING, TRANSFER, RIGHT		
14	RM1-4159-000		1	PAPER SENSOR PCB ASS'Y		
15	RM1-4245-000		1	PAPER WIDTH SENSOR ASS'Y		
16	RC2-0344-000		1	SPRING, CONTACT		
17	RC1-3700-000		1	SPRING, GROUNDING		
18	RU5-0929-000		1	GEAR, 14T		
19	RC2-0384-000		1	PLATE, REGISTRATION GROUNDING		
20	XA9-1420-000		1	SCREW, W/WASHER, M3X8		
21	RC1-3695-000		1	SHEET, REGISTRATION DAMPER		
22	RC1-3565-000		1	PLATE, DRUM GROUNDING		
23	RU5-2338-000		1	SPRING, COMPRESSION		
24	RC1-3563-000		1	COVER, DRUM		
25	RC2-0358-000		1	ELIMINATOR, STATIC CHARGE		
26	RU5-2144-000		1	SPRING, COMPRESSION		
27	RC2-0356-000		1	BUSHING		
28	RM1-4279-000		1	ROLLER, TRANSFER		
29	RC2-0359-000		1	GUIDE, TRANSFER FRONT		
30	RC2-0357-000		1	BUSHING		
501	XB4-7401-005		7	SCREW,TAPPING,TRUSS HEAD.M4X10		

FIGURE & KEY NO.	PARTS NUMBER	R A N K	Q'TY	DESCRIPTION	SERIAL NUMBER/ REMARKS	S V C
502	XB4-7300-809		2	SCREW, TAP, BINDING HEAD, M3X8		

# FIGURE 105 INTERNAL COMPONENTS 4

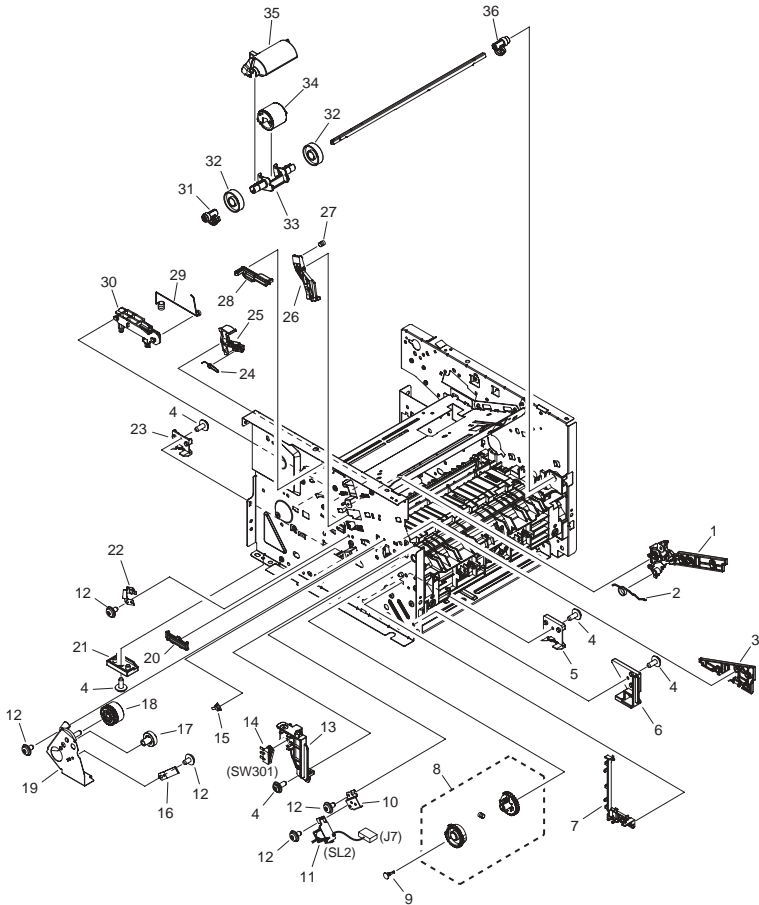


FIGURE & KEY NO.	PARTS NUMBER	R A N K	Q'TY	DESCRIPTION	SERIAL NUMBER/ REMARKS	S V C
Fig.105	NPN		RF	INTERNAL COMPONENTS 4		
1	RC2-0425-000		1	GUIDE, CRG., LEFT UPPER		
2	RC2-0427-000		1	SPRING, TORSION		
3	RC2-0339-000		1	GUIDE, CRG., LEFT LOWER		
4	XA9-1504-000		5	SCREW,RS,M3X8		
5	RC1-3461-000		1	GUIDE, CASSETTE, LEFT CENTER 1		
6	RL1-0518-000		1	GUIDE, CASSETTE, LEFT FRONT		
7	RC2-0335-000		1	GUIDE, M.P. CABLE		
8	RM1-4275-000		1	PAPER PICK-UP GEAR ASSY		
9	RA0-1068-000		1	CAP, CONTINUITY		
10	RC2-0334-000		1	HOLDER, M.P. SOLENOID		
11	RK2-1587-000		1	SOLENOID		
12	XA9-1495-000		5	SCREW, RS, M3X6		
13	RC2-0340-000		1	GUIDE, CARTRIDGE, FRONT		
14	RK2-0534-000		1	MICROSWITCH		
15	RC1-3562-000		1	BUSHING		
16	RC1-0944-000		1	SPRING, GROUNDING		
17	RU5-0927-000		1	GEAR, 19T		
18	RU5-0928-000		1	GEAR, 26T		
19	RL1-1531-000		1	SIDE PLATE, M.P. DRIVE		
20	RC2-0423-000		1	GUIDE, F.F.C.		
21	RC1-3463-000		1	GUIDE, CASSETTE, LEFT REAR		
22	RC1-3541-000		1	PLATE, DRUM GROUNDING		
23	RC1-3462-000		1	GUIDE, CASSETTE, LEFT CENTER 2		
24	RC1-3543-000		1	SPRING, TORSION		
25	RC1-3542-000		1	LEVER, CARTRIDGE CONTACT		
26	RC1-3561-000		1	ARM, LOCK		
27	RU5-2337-000		1	SPRING, COMPRESSION		
28	RC2-0424-000		1	GUIDE, F.F.C.		
29	RC1-3719-000		1	SPRING, CONTACT		
30	RC2-0342-000		1	HOLDER, CONTACT		
31	RC2-0387-000		1	CAM, M.P., LEFT		

FIGURE & KEY NO.	PARTS NUMBER	R A N K	Q'TY	DESCRIPTION	SERIAL NUMBER/ REMARKS	S V C
32	RC1-0950-000		2	ROLLER		
33	RC2-0386-000		1	HOLDER, PAPER PICK-UP ROLLER		
34	RL1-1525-000		1	ROLLER, M.P. PAPER PICK-UP		
35	RC2-0420-000		1	COVER, PAPER PICK-UP ROLLER		
36	RC2-0388-000		1	CAM, M.P., RIGHT		



FIGURE 110  
ENGINE CONTROLLER ASS'Y

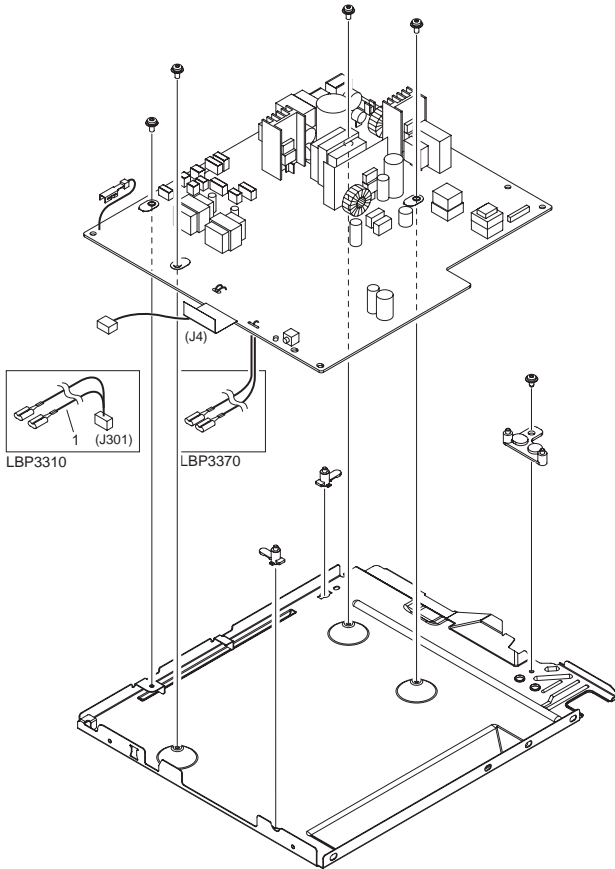


FIGURE & KEY NO.	PARTS NUMBER	RANK	Q'TY	DESCRIPTION	SERIAL NUMBER/REMARKS	SVC
Fig.110	FM3-4283-000		1	ENGINE CONTROLLER ASS'Y	LBP3310 100/120V	
Fig.110	FM3-4284-000		1	ENGINE CONTROLLER ASS'Y	LBP3310 230V	
Fig.110	FM3-3608-000		1	ENGINE CONTROLLER ASS'Y	LBP3370	
1	FM3-4302-000		1	CABLE, DOOR SW	LBP3310	

FIGURE 250  
MAIN DRIVE ASS'Y

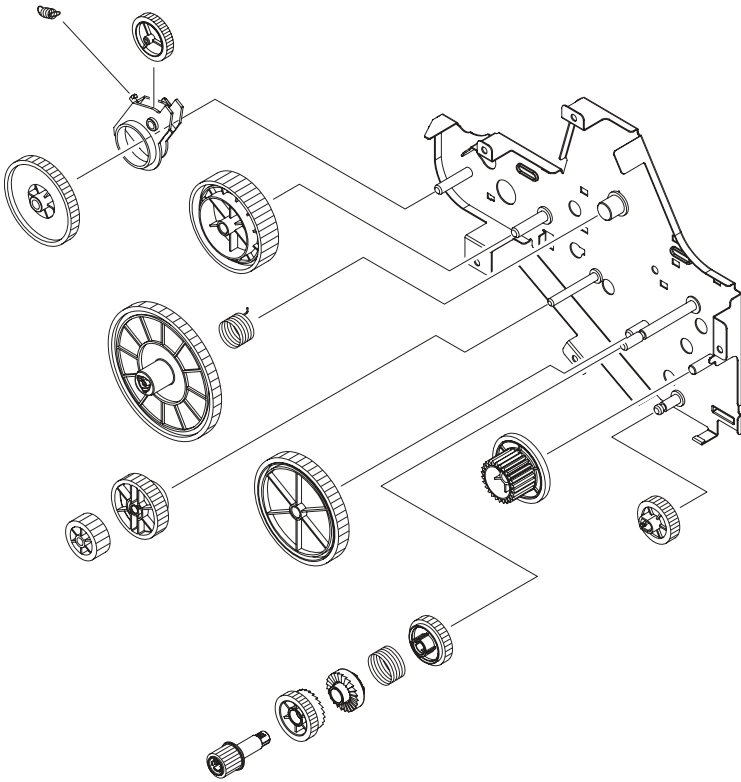


FIGURE & KEY NO.	PARTS NUMBER	R A N K	Q'TY	DESCRIPTION	SERIAL NUMBER/ REMARKS	S V C
Fig.250	RM1-4253-000		1	MAIN DRIVE ASSY		

FIGURE 251  
DUPLEXING DRIVE ASS'Y

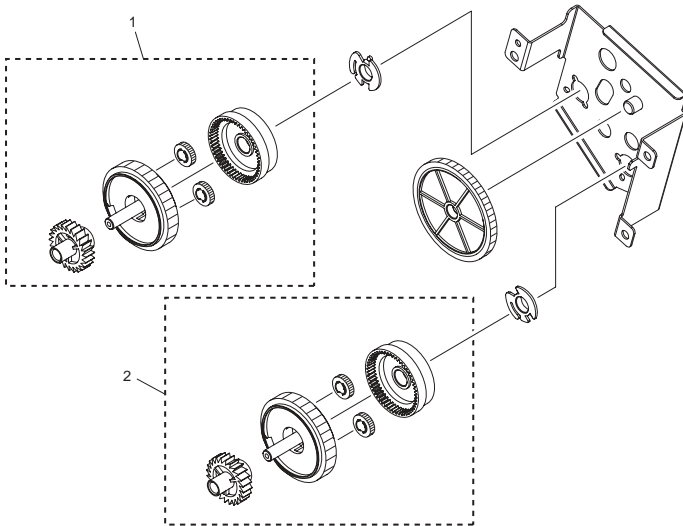


FIGURE & KEY NO.	PARTS NUMBER	RANK	Q'TY	DESCRIPTION	SERIAL NUMBER/REMARKS	SVC
Fig.251	RM1-4255-000		1	DUPLEXING DRIVE ASS'Y		
1	RM1-4256-000		1	NORMAL ROTATION DRIVE ASS'Y		
2	RM1-4257-000		1	REVERS ROTATION DRIVE ASS'Y		

# FIGURE 300 CASSETTE

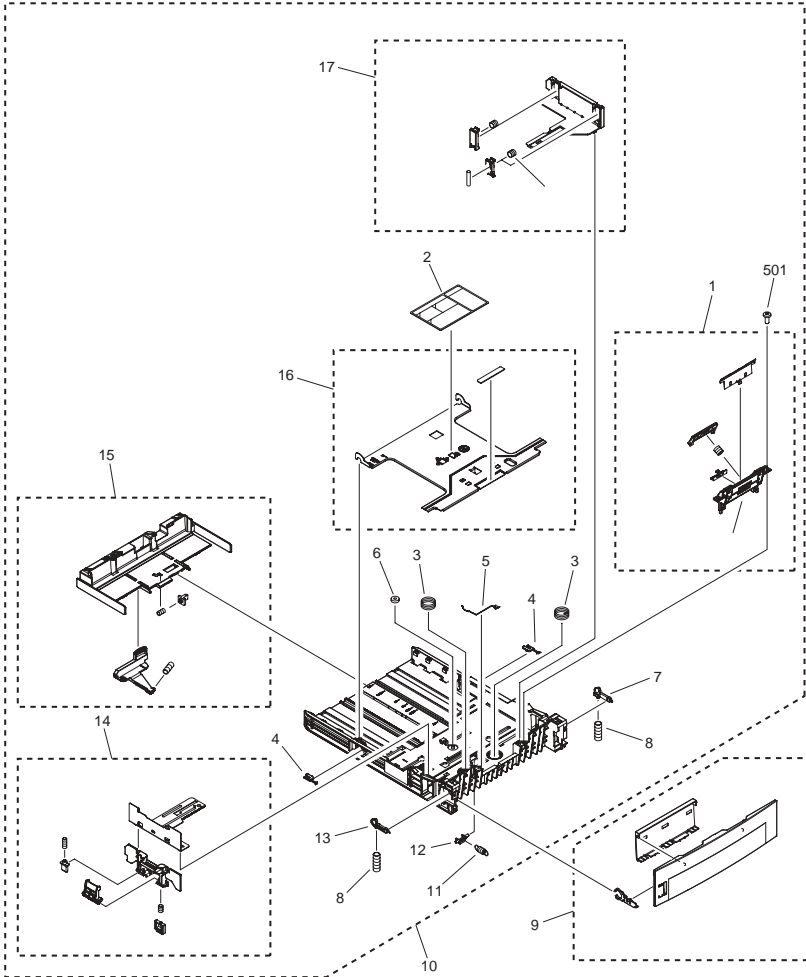


FIGURE & KEY NO.	PARTS NUMBER	R A N K	Q'TY	DESCRIPTION	SERIAL NUMBER/ REMARKS	S V C
Fig.300	FM3-3589-000		1	CASSETTE		
1	FM2-6707-000		1	SEPARATION PAD ASS'Y		
2	FC8-0106-000		1	LABEL, PAPER EXCHANGE		
3	RC1-3489-000		2	SPRING, COMPRESSION		
4	RC1-4198-000		2	STOPPER, CLAW		
5	RC1-3492-000		1	SPRING, GROUNDING		
6	RU5-0328-000		1	GEAR, 10T		
7	RC1-3507-000		1	STOPPER, CASSETTE, RIGHT		
8	RU5-2327-000		2	SPRING, COMPRESSION		
9	FM3-3590-000		1	CASSETTE COVER ASS'Y		
10	FM2-6192-000		1	CASSETTE BODY ASS'Y		
11	RU5-2324-000		1	SPRING, TENSION		
12	RC1-3490-000		1	LOCK, LIFTER PLATE		
13	RC1-3508-000		1	STOPPER, CASSETTE, LEFT		
14	RM1-1296-000		1	LEFT PAPER SIDE END ASS'Y		
15	RM1-1295-000		1	BACK END LIMIT ASS'Y		
16	RL1-0522-020		1	PLATE, LIFTER		
17	RM1-1297-020		1	RIGHT PAPER SIDE END ASS'Y		
501	XB4-7401-005		2	SCREW,TAPPING,TRUSS HEAD,M4X10		



FIGURE 360  
DUPLEXING PAPER FEED ASS'Y

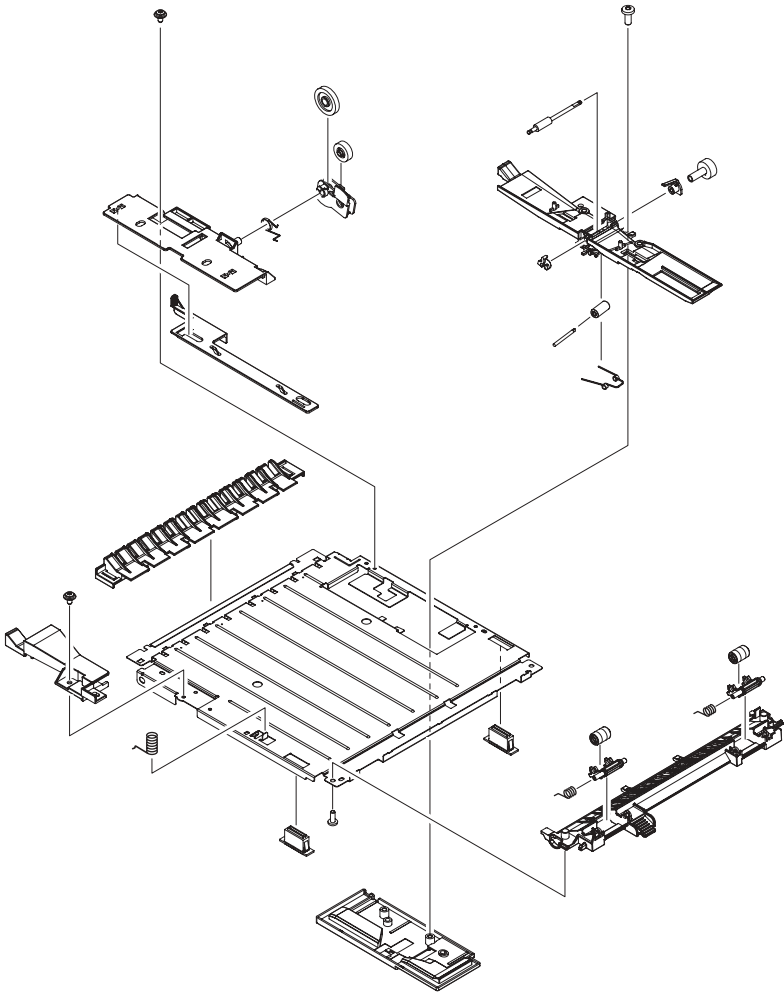


FIGURE & KEY NO.	PARTS NUMBER	R A N K	Q'TY	DESCRIPTION	SERIAL NUMBER/ REMARKS	S V C
Fig.360	RM1-4258-000		1	DUPLEXING PAPER FEED ASS'Y		

FIGURE 810  
FIXING ASS'Y

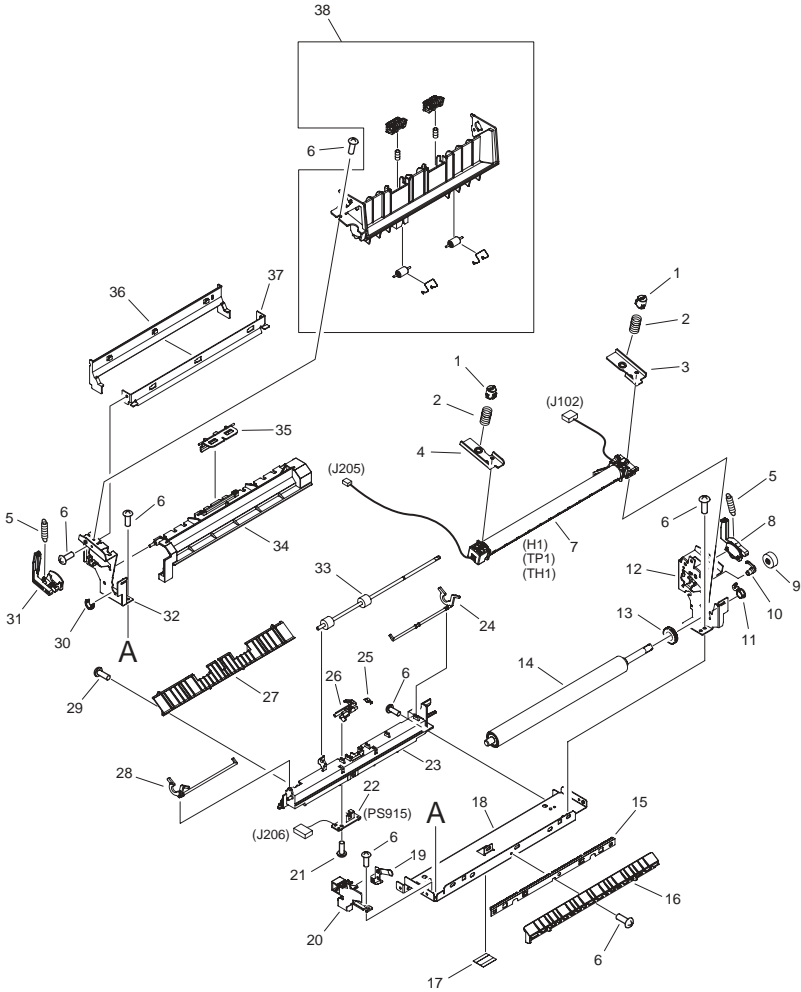


FIGURE & KEY NO.	PARTS NUMBER	R A N K	Q'TY	DESCRIPTION	SERIAL NUMBER/ REMARKS	S V C
Fig.810	FM3-3587-000		1	FIXING ASS'Y	100V/120V	
Fig.810	FM3-3588-000		1	FIXING ASS'Y	230V	
1	RA0-1189-000		2	RETAINER, SPRING		
2	RU5-2901-000		2	SPRING, COMPRESSION		
3	RC1-3623-000		1	PLATE, PRESSURE, RIGHT		
4	RC1-3624-000		1	PLATE, PRESSURE, LEFT		
5	RA0-1090-000		2	SPRING, TENSION		
6	XA9-1503-000		10	SCREW, TAP, M3X6		
7	FM2-6703-000		1	FILM GUIDE ASS'Y	100V/120V	
7	FM2-6704-000		1	FILM GUIDE ASS'Y	230V	
8	RC1-3616-000		1	LEVER, PRESSURE RELEASE, RIGHT		
9	RU5-0330-000		1	GEAR, 17T		
10	RC1-3615-000		1	BUSHING		
11	RC2-0297-000		1	BUSHING		
12	RC1-3604-000		1	SIDE PLATE, FIXING, RIGHT		
13	RC1-3628-000		1	RING, CONDUCTIVE RUBBER		
14	RC2-0303-000		1	ROLLER, PRESSURE		
15	RC2-0299-000		1	NEEDLE, FIXING STATIC CHARGE		
16	RC2-0296-000		1	GUIDE, FIXING ENTRANCE		
17	RC2-0431-000		1	SHEET, FIXING BOTTOM SHEET		
18	RC2-0295-000		1	FRAME, FIXING		
19	RC1-3625-000		1	SPRING, COMPRESSION		
20	RC1-3627-000		1	HOLDER, LEAF SPRING		
21	XB4-7300-809		1	SCREW, TAP, BINDING HEAD, M3X8		
22	RM1-1251-000		1	DELIVERY SENSOR PCB ASS'Y		
23	RC2-0429-000		1	HOLDER, SEPARATE LOWER GUIDE		
24	RC1-3618-000		1	LEVER, PRESS.RELEASE SENSOR, R		
25	RC1-3614-000		1	SPRING, TORSION		
26	RC1-3613-000		1	FLAG, PAPER DELIVERY SENSOR		
27	RC1-3611-000		1	GUIDE, PAPER SEPARATE, LOWER		
28	RC1-3619-000		1	LEVER, PRESS.RELEASE SENSOR, L		
29	XA9-1422-000		1	SCREW, W/WASHER, M4X12		

FIGURE & KEY NO.	PARTS NUMBER	RANK	Q'TY	DESCRIPTION	SERIAL NUMBER/REMARKS	SVC
30	RC2-0298-000		1	BUSHING		
31	RC1-3617-000		1	LEVER, PRESSURE RELEASE, LEFT		
32	RC1-3605-000		1	SIDE PLATE, FIXING, LEFT		
33	RC1-3633-000		1	ROLLER, FACE-UP		
34	RC2-0300-000		1	COVER, FIXING		
35	RC1-3622-000		1	FLAG, INTERTWINE PREVENTION		
36	RC1-3607-000		1	GUIDE, FIXING, UPPER		
37	RC1-3606-000		1	PLATE, FIXING REINFORCEMENT		
38	RM1-1291-000		1	DELIVERY FRAME ASSY		



Prepared by  
OIP HFE Promotion Center  
CANON INC.

**Canon**