

PARTS CATALOG

LBP3250

Canon

Aug 13 2008

PREFACE

This Parts Catalog contains listings of parts used

Diagrams are provided with the listings to aid the service technician in identifying clearly, the item to be ordered.

Whenever ordering parts, consult this Parts Catalog for all of the information pertaining to each item. Be sure to include, in the Parts Request, the full item description, the item part number, and the quantity.

COPYRIGHT (C) 1999 CANON INC.

Use of this manual should be strictly supervised to avoid disclosure of confidential information.

Contents

NUMERICAL INDEX

LBP3250(Numerical Index).....	1-1
-------------------------------	-----

LBP3250(Parts Catalog)

001	ACCESSORIES	2-1
100	EXTERNAL COVERS, PANELS, ETC.	2-2
101	INTERNAL COMPONENTS 1	2-4
102	INTERNAL COMPONENTS 2	2-6
103	INTERNAL COMPONENTS 3	2-8
810	FIXING PAPER DELIVERY ASS'Y	2-10

NUMERICAL INDEX

LBP3250(Numerical Index)

PARTS NUMBER	FIGURE & KEY NO.	PARTS NUMBER	FIGURE & KEY NO.	PARTS NUMBER	FIGURE & KEY NO.
FC8-3667-000	100 - 2				
FC8-3668-000	100 - 3				
FC8-3669-000	102 - 4				
FC8-3685-000	101 - 1				
FC8-3688-000	100 - 6				
FC8-3694-000	100 - 7				
FC8-3705-000	810 - 2				
FM3-5414-000	101 - 2				
FM3-5415-000	101 - 2				
FM3-5418-000	103 - 2				
FM3-5673-000	100 - 9				
FM3-5675-000	100 - 10				
FM3-5677-000	100 - 1				
FM3-5678-000	100 - 4				
FM3-5679-000	100 - 11				
FM3-5684-000	102 - 1				
FM3-5688-000	100 - 8				
FM3-5689-000	810 -				
FM3-5690-000	100 - 8				
FM3-5691-000	810 -				
FM3-5740-000	101 - 3				
FM3-5741-000	101 - 3				
FM4-0365-000	001 - 2				
FM4-0366-000	001 - 2				
FM4-0367-000	001 - 2				
FM4-0368-000	001 - 2				
NPN	001 -				
NPN	100 -				
NPN	101 -				
NPN	102 -				
NPN	103 -				
RC1-6217-000	100 - 5				
RC2-1414-000	810 - 3				
RH9-1164-000	001 - 1				
RH9-1166-000	001 - 1				
RH9-1169-000	001 - 1				
RK2-1302-000	001 - 3				
RK2-1315-000	001 - 1				
RK2-1757-000	103 - 3				
RL1-1497-000	102 - 5				
RM1-4023-000	102 - 2				
RM1-4184-000	103 - 1				
RM1-4196-000	103 - 4				
RM1-4227-000	102 - 3				
RM1-4230-000	810 - 1				
RM1-4231-000	810 - 1				

LBP3250(Parts Catalog)

i-SENSYS LBP3250

230V EUR	F15-1491-000	MBBA
----------	--------------	------

LASER SHOT LBP3250

120V LTN	F15-1431-000	MBEA
----------	--------------	------

230V ASIA	F15-1441-000	MBDA
-----------	--------------	------

230V AU	F15-1441-000	MBFA
---------	--------------	------

230V CN	F15-1451-000	MBCA
---------	--------------	------

Contents

001	ACCESSORIES	2-1
100	EXTERNAL COVERS, PANELS, ETC.	2-2
101	INTERNAL COMPONENTS 1	2-4
102	INTERNAL COMPONENTS 2	2-6
103	INTERNAL COMPONENTS 3	2-8
810	FIXING PAPER DELIVERY ASS'Y.....	2-10

FIGURE 001 ACCESSORIES

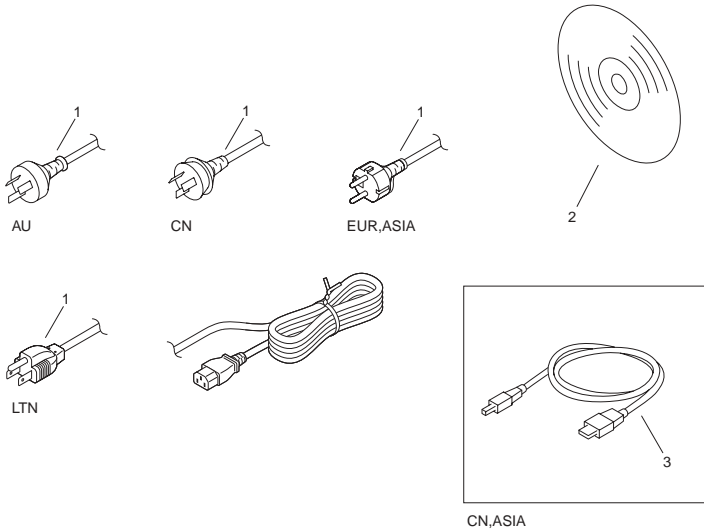


FIGURE & KEY NO.	PARTS NUMBER	RANK	QTY	DESCRIPTION	SERIAL NUMBER/REMARKS	SVC
Fig.001	NPN		RF	ACCESSORIES		
1	RH9-1169-000		1	CORD, POWER, 230V	AU	
1	RH9-1166-000		1	CORD, POWER, 230V	CN	
1	RK2-1315-000		1	CORD, POWER, 230V	EUR,ASIA	
1	RH9-1164-000		1	CORD, POWER, 120V	LTN	
2	FM4-0365-000		1	CD-ROM, USER SOFTWARE	EUR English,French,German,Italian,Spanish,Russian	
2	FM4-0366-000		1	CD-ROM, USER SOFTWARE	EUR English,Dutch,Danish,Norwegian,Finnish,Swedish,Polish	
2	FM4-0367-000		1	CD-ROM, USER SOFTWARE	AU	
2	FM4-0368-000		1	CD-ROM, USER SOFTWARE	CN,ASIA,LTN	
3	RK2-1302-000		1	CABLE,USB	CN,ASIA	

FIGURE 100
EXTERNAL COVERS, PANELS, ETC.

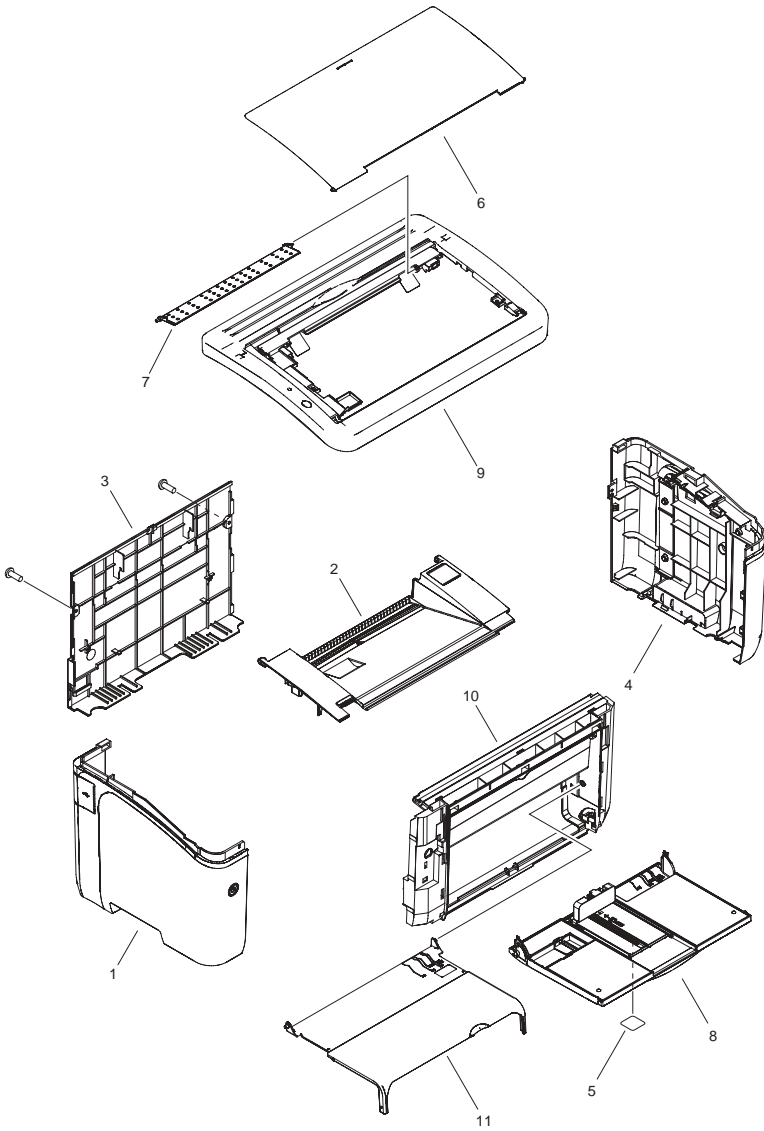


FIGURE & KEY NO.	PARTS NUMBER	R A N K	Q'TY	DESCRIPTION	SERIAL NUMBER/ REMARKS	S V C
Fig.100	NPN		RF	EXTERNAL COVERS, PANELS, ETC.		
1	FM3-5677-000		1	LEFT COVER ASS'Y		
2	FC8-3667-000		1	DOOR, CARTRIDGE		
3	FC8-3668-000		1	COVER, REAR		
4	FM3-5678-000		1	RIGHT COVER ASS'Y		
5	RC1-6217-000		1	EMBLEM, LASER SHOT		
6	FC8-3688-000		1	PAPER DELIVERY TRAY ASS'Y		
7	FC8-3694-000		1	TRAY, PAPER DELIVERY		
8	FM3-5688-000		1	PAPER PICK-UP TRAY ASS'Y	EUR	
8	FM3-5690-000		1	PAPER PICK-UP TRAY ASS'Y	EXCEPT EUR	
9	FM3-5673-000		1	TOP COVER ASSEMBLY		
10	FM3-5675-000		1	FRONT COVER ASS'Y		
11	FM3-5679-000		1	TRAY, SINGLE SHEET FEED		

FIGURE 101 INTERNAL COMPONENTS 1

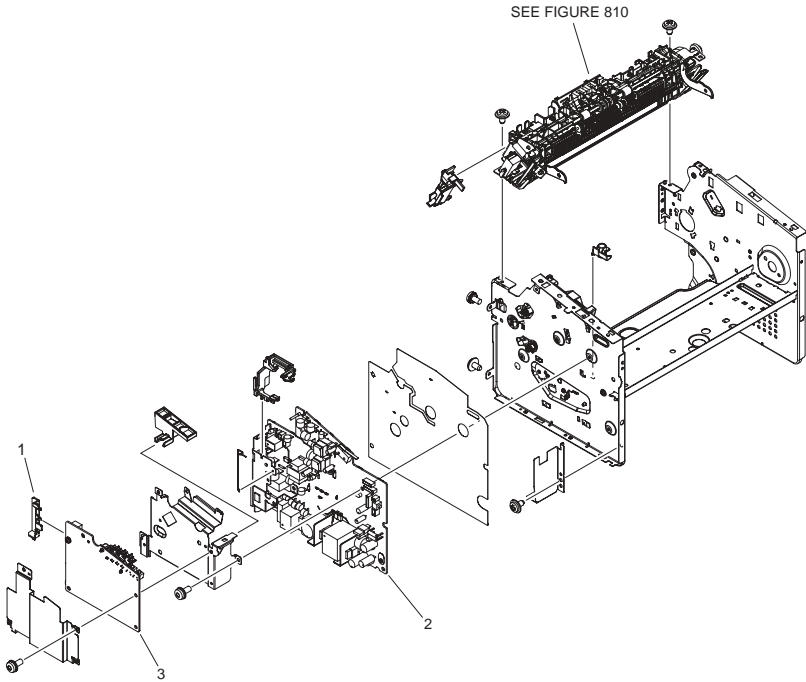


FIGURE & KEY NO.	PARTS NUMBER	RANK	Q'TY	DESCRIPTION	SERIAL NUMBER/REMARKS	SVC
Fig.101	NPN		RF	INTERNAL COMPONENTS 1		
1	FC8-3685-000		1	COVER, USB		
2	FM3-5414-000		1	ENGINE CONTROL PCB ASS'Y	120V	
2	FM3-5415-000		1	ENGINE CONTROL PCB ASS'Y	230V	
3	FM3-5740-000		1	MAIN CONTROLLER PCB ASSEMBLY	CN	
3	FM3-5741-000		1	MAIN CONTROLLER PCB ASSEMBLY	EXCEPT CN	

FIGURE 102
INTERNAL COMPONENTS 2

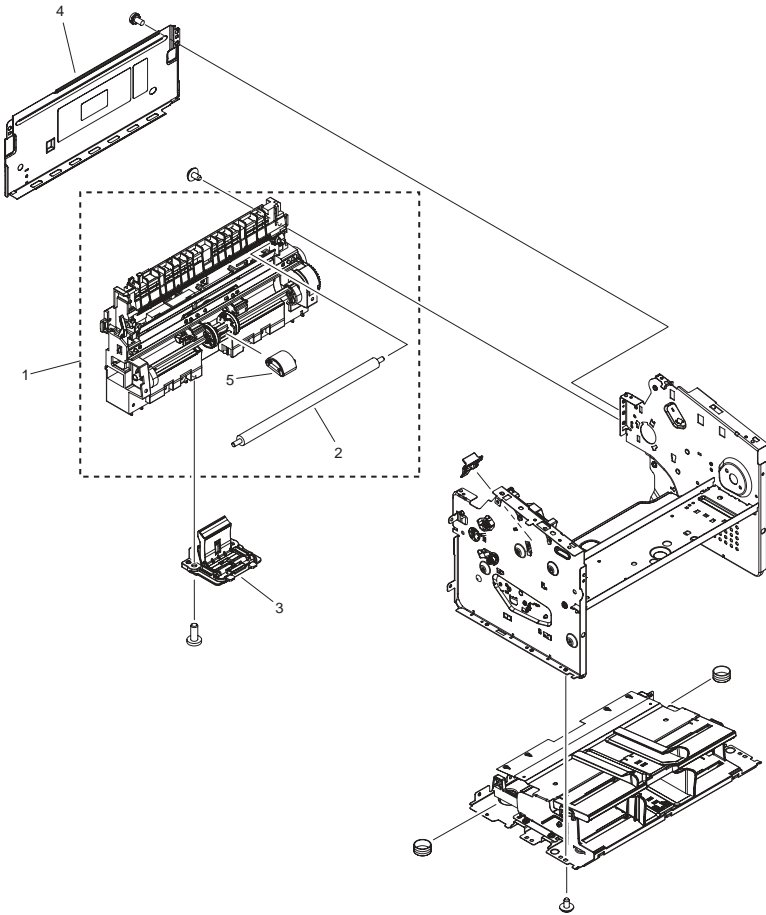


FIGURE & KEY NO.	PARTS NUMBER	RANK	Q'TY	DESCRIPTION	SERIAL NUMBER/REMARKS	SVC
Fig.102	NPN		RF	INTERNAL COMPONENTS 2		
1	FM3-5684-000		1	PICK-UP TRANSFER FRAME ASS'Y		
2	RM1-4023-000		1	TRANSFER ROLLER ASS'Y		
3	RM1-4227-000		1	SEPARATION PAD ASSY		
4	FC8-3669-000		1	PANEL, REAR		
5	RL1-1497-000		1	ROLLER, PICK-UP		

FIGURE 103
INTERNAL COMPONENTS 3

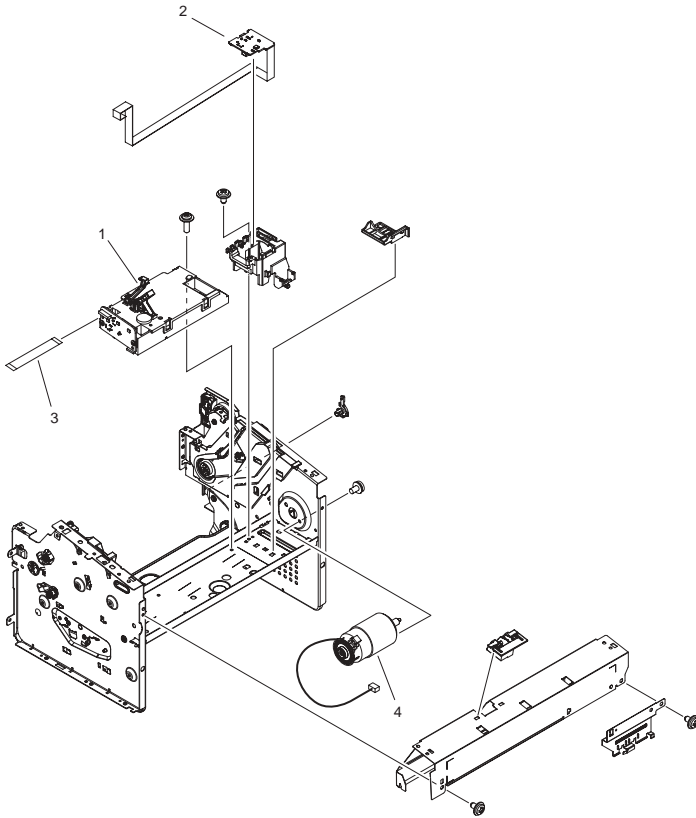


FIGURE & KEY NO.	PARTS NUMBER	RANK	Q'TY	DESCRIPTION	SERIAL NUMBER/REMARKS	SVC
Fig.103	NPN		RF	INTERNAL COMPONENTS 3		
1	RM1-4184-000		1	LASER SCANNER ASS'Y		
2	FM3-5418-000		1	MOTOR PCB ASS'Y		
3	RK2-1757-000		1	CABLE, FLAT		
4	RM1-4196-000		1	MOTOR, DC24V		

FIGURE 810
FIXING PAPER DELIVERY ASS'Y

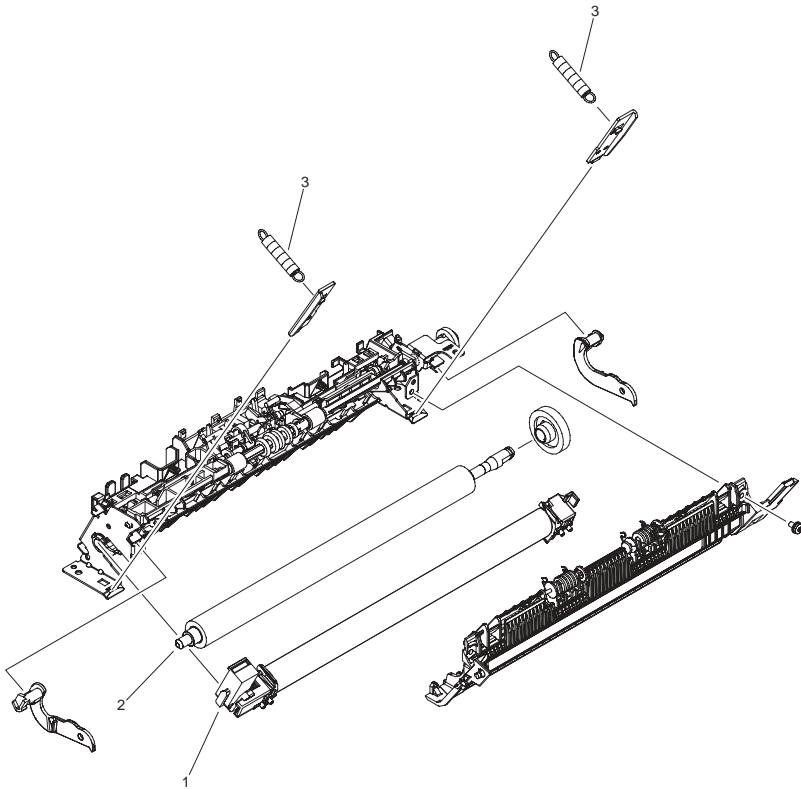


FIGURE & KEY NO.	PARTS NUMBER	RANK	Q'TY	DESCRIPTION	SERIAL NUMBER/REMARKS	SVC
Fig.810	FM3-5691-000		1	FIXING PAPER DELIVERY ASS'Y	120V	
Fig.810	FM3-5689-000		1	FIXING PAPER DELIVERY ASS'Y	230V	
1	RM1-4230-000		1	FIXING FILM ASSEMBLY	120V	
1	RM1-4231-000		1	FIXING FILM ASSEMBLY	230V	
2	FC8-3705-000		1	ROLLER, PRESSURE		
3	RC2-1414-000		2	SPRING, TENSION		

Prepared by
OIP HFE Promotion Center
CANON INC.

Canon