

# **PARTS CATALOG**

## **LBP2410/LBP5200**

**Canon**

**Feb 25 2008**



## **PREFACE**

This Parts Catalog contains listings of parts used

Diagrams are provided with the listings to aid the service technician in identifying clearly, the item to be ordered.

Whenever ordering parts, consult this Parts Catalog for all of the information pertaining to each item. Be sure to include, in the Parts Request, the full item description, the item part number, and the quantity.

***COPYRIGHT (C) 1999 CANON INC.***

Use of this manual should be strictly supervised to avoid disclosure of confidential information.



# Contents

## NUMERICAL INDEX

LBP2410/LBP5200(Numerical Index)..... 1-1

## LBP2410/LBP5200(Parts Catalog)

A	ASSEMBLY LOCATION DIAGRAM .....	2-1
001	DISK UNIT .....	2-3
100	EXTERNAL COVERS, PANELS, ETC. ....	2-4
101	FRONT FRAME ASS'Y .....	2-7
102	INTERNAL COMPONENTS 1 .....	2-10
103	INTERNAL COMPONENTS 2 .....	2-13
105	REAR FRAME ASS'Y .....	2-15
106	MIDDLE FRAME ASS'Y .....	2-17
110	POWER SUPPLY BASE ASS'Y .....	2-20
250	MAIN DRIVE ASS'Y(LBP2410) .....	2-22
250A	MAIN DRIVE ASS'Y(LBP5200) .....	2-24
251	ROTARY DRIVE ASS'Y .....	2-26
300	PAPER FEED SYSTEM .....	2-27
301	CASSETTE .....	2-29
310	CASSETTE CENTER FRAME ASS'Y .....	2-31
311	RIGHT COVER ASS'Y .....	2-33
530	ROTARY ASS'Y .....	2-35
810	FIXING ASS'Y(LBP2410) .....	2-37
810A	FIXING ASS'Y(LBP5200) .....	2-39



# NUMERICAL INDEX

## LBP2410/LBP5200(Numerical Index)

PARTS NUMBER	FIGURE & KEY NO.	PARTS NUMBER	FIGURE & KEY NO.	PARTS NUMBER	FIGURE & KEY NO
FC5-5256-000	100 - 17	RB3-0006-000	110 - 1	RB3-0160-000	101 - 29
FH2-7082-000	102 - 27	RB3-0007-000	110 - 2	RB3-0161-000	310 - 22
FH2-7120-000	102 - 27	RB3-0009-000	106 - 6	RB3-0163-000	101 - 42
NPN	001 -	RB3-0010-000	106 - 7	RB3-0164-000	101 - 40
NPN	100 -	RB3-0011-000	106 - 8	RB3-0165-000	310 - 2
NPN	101 -	RB3-0012-000	106 - 9	RB3-0166-000	310 - 3
NPN	102 -	RB3-0014-000	102 - 15	RB3-0178-000	810 - 4
NPN	103 -	RB3-0015-000	102 - 16	RB3-0178-000	810A - 4
NPN	105 -	RB3-0016-000	106 - 12	RB3-0179-000	810 - 5
NPN	106 -	RB3-0019-000	102 - 1	RB3-0179-000	810A - 5
NPN	110 -	RB3-0022-000	106 - 13	RB3-0180-000	810 - 6
NPN	300 -	RB3-0023-000	103 - 2	RB3-0180-000	810A - 6
NPN	310 -	RB3-0025-000	102 - 3	RB3-0186-000	810 - 7
RB1-2190-000	310 - 9	RB3-0037-000	100 - 11	RB3-0190-000	810 - 8
RB1-8668-030	106 - 1	RB3-0042-000	106 - 14	RB3-0191-000	810 - 9
RB2-2892-000	310 - 11	RB3-0043-000	106 - 15	RB3-0282-000	300 - 3
RB2-2893-000	310 - 28	RB3-0044-000	106 - 16	RB3-0283-000	300 - 4
RB2-2897-020	310 - 15	RB3-0045-000	106 - 11	RB3-0286-000	106 - 5
RB2-3019-000	300 - 5	RB3-0046-000	106 - 17	RB3-0651-000	100 - 16
RB2-3041-000	101 - 2	RB3-0047-000	106 - 18	RB3-0837-000	100 - 14
RB2-3042-000	101 - 3	RB3-0048-000	106 - 19	RB3-0838-000	100 - 12
RB2-3043-000	101 - 4	RB3-0052-000	106 - 29	RB3-0839-000	100 - 8
RB2-3044-000	101 - 5	RB3-0056-000	106 - 21	RB3-0840-000	100 - 1
RB2-4933-000	810 - 3	RB3-0057-000	106 - 22	RB3-0842-000	101 - 7
RB2-4933-000	810A - 3	RB3-0060-000	106 - 10	RB3-0843-000	101 - 8
RB2-6248-000	101 - 6	RB3-0061-000	106 - 2	RB3-0844-000	100 - 15
RB2-6297-000	106 - 4	RB3-0062-000	110 - 13	RB3-0845-000	100 - 7
RB2-7195-000	106 - 34	RB3-0063-000	106 - 3	RB3-0846-000	100 - 2
RB2-9809-000	530 - 8	RB3-0065-000	106 - 30	RB3-0847-000	810 - 19
RB2-9850-000	106 - 39	RB3-0066-000	106 - 31	RB3-0853-000	102 - 24
RB2-9851-000	106 - 40	RB3-0067-000	106 - 35	RB3-0858-000	103 - 12
RB2-9852-000	251 - 4	RB3-0089-030	100 - 4	RB3-0860-000	103 - 8
RB2-9853-000	530 - 9	RB3-0090-000	250 - 4	RB3-0862-000	100 - 17
RB2-9903-000	103 - 4	RB3-0090-000	250A - 4	RB3-0869-000	103 - 13
RB2-9904-000	105 - 1	RB3-0091-000	102 - 4	RB3-0875-000	100 - 13
RB2-9905-000	102 - 20	RB3-0092-000	102 - 5	RB3-0877-000	101 - 7
RB2-9906-000	105 - 3	RB3-0104-000	101 - 9	RB3-0878-000	810A - 19
RB2-9908-000	102 - 21	RB3-0105-000	310 - 1	RB3-0885-000	100 - 14
RB2-9909-000	105 - 4	RB3-0108-000	300 - 2	RB3-0886-000	100 - 12
RB2-9912-000	105 - 6	RB3-0111-000	101 - 10	RB3-0887-000	100 - 8
RB2-9916-000	105 - 5	RB3-0113-000	101 - 18	RB3-0888-000	100 - 1
RB2-9924-000	106 - 33	RB3-0117-000	101 - 47	RB3-0889-000	101 - 8
RB2-9925-000	106 - 32	RB3-0119-000	101 - 11	RB3-0890-000	100 - 15
RB2-9932-000	102 - 2	RB3-0120-000	101 - 12	RB3-0891-000	100 - 7
RB2-9940-000	101 - 46	RB3-0121-000	101 - 13	RB3-0892-000	100 - 2
RB2-9942-000	101 - 37	RB3-0122-000	101 - 14	RB3-1024-000	810A - 7
RB2-9952-000	101 - 1	RB3-0129-000	310 - 17	RB3-1025-000	810A - 11
RB2-9954-000	101 - 35	RB3-0130-000	310 - 18	RB3-1026-000	810A - 1
RB2-9955-000	101 - 39	RB3-0132-000	310 - 19	RB3-1027-000	810A - 2
RB2-9960-000	301 - 3	RB3-0135-000	101 - 15	RB3-1028-000	810A - 25
RB2-9982-000	106 - 45	RB3-0136-000	310 - 20	RB3-1029-000	810A - 26
RB2-9999-000	106 - 43	RB3-0137-000	310 - 21	RB3-1030-000	810A - 23

# NUMERICAL INDEX

## LBP2410/LBP5200(Numerical Index)

PARTS NUMBER	FIGURE & KEY NO.	PARTS NUMBER	FIGURE & KEY NO.	PARTS NUMBER	FIGURE & KEY NO
RB3-1031-000	810A - 24	RG5-6932-070	250 - 1	RG5-7431-000	810 - 14
RB3-1032-000	810A - 8	RG5-6934-000	250 - 6	RG5-7433-000	300 - 6
RB3-1034-000	810A - 9	RG5-6935-000	103 - 10	RG5-7437-000	102 - 27
RB3-1042-000	810A - 17	RG5-6936-000	105 - 2	RG5-7438-000	102 - 26
RB3-1065-000	105 - 3	RG5-6938-000	101 - 26	RG5-7440-000	810A -
RB3-1094-000	102 - 15	RG5-6939-020	106 - 25	RG5-7441-000	810A -
RB3-1110-000	106 - 21	RG5-6940-000	106 - 27	RG5-7442-000	810A -
RB3-1113-000	102 - 28	RG5-6942-030	530 - 2	RG5-7574-000	810A - 14
RB3-1382-000	300 - 1	RG5-6951-000	101 - 27	RG5-7575-000	810A - 14
RB3-1383-000	311 - 3	RG5-6952-000	101 - 28	RG5-7576-000	810A - 15
RB3-1384-000	301 - 1	RG5-6958-000	251 - 1	RG5-7577-000	810A - 21
RB3-1386-000	301 - 5	RG5-6960-000	110 - 14	RG5-7579-000	250A -
RB3-1388-000	101 - 2	RG5-6965-000	101 - 50	RG5-7580-000	250A - 6
RB3-1389-000	101 - 3	RG5-7106-000	110 - 10	RG5-7581-000	250A - 1
RB3-2973-000	810 - 1	RG5-7107-000	110 - 11	RG5-7587-000	530 -
RB9-0834-000	310 - 13	RG5-7108-000	110 - 12	RG5-7589-000	530 - 5
RB9-0835-000	310 - 14	RG5-7109-000	110 - 8	RG5-7595-000	105 - 2
RB9-0843-000	310 - 10	RG5-7110-000	810 - 17	RG5-7608-000	106 - 28
RB9-0879-000	530 - 7	RG5-7114-020	103 - 7	RG5-7609-000	530 - 10
RB9-0901-000	102 - 3	RG5-7114-020	103 - 7	RG5-7612-000	101 - 48
RC2-0062-000	100 -	RG5-7115-000	250 - 5	RG5-7612-000	101 - 48
RF1-4218-000	103 - 15	RG5-7115-000	250A - 5	RG5-7613-000	106 - 44
RF1-4233-000	103 - 15	RG5-7116-000	250 - 8	RG5-7613-000	106 - 44
RF5-4008-000	810 - 10	RG5-7117-000	530 - 6	RG5-7616-000	110 - 16
RF5-4010-000	250 - 2	RG5-7122-000	106 - 28	RG5-7616-000	110 - 16
RF5-4012-000	101 - 17	RG5-7123-000	106 - 26	RG5-7617-000	311 - 1
RF5-4015-000	101 - 44	RG5-7126-000	110 - 7	RG5-7620-000	250A - 8
RF5-4035-000	310 - 23	RG5-7128-000	106 - 36	RG5-7621-000	110 - 11
RF5-4040-000	102 - 10	RG5-7129-000	530 - 3	RG5-7647-000	110 - 14
RF5-4047-000	101 - 34	RG5-7130-000	106 - 41	RG5-7648-000	101 - 50
RF5-4049-000	102 - 7	RG5-7131-000	101 - 30	RG5-7663-000	530 - 4
RF5-4060-000	810A - 10	RG5-7131-000	101 - 30	RG5-7817-000	103 - 19
RF5-4063-000	250A - 2	RG5-7132-000	530 - 1	RG5-7819-050	100 - 3
RF5-4065-000	102 - 7	RG5-7138-000	310 - 27	RG5-7820-050	100 - 3
RF5-4067-000	102 - 10	RG5-7139-000	310 - 26	RG5-7821-000	102 - 25
RF5-4068-000	102 - 21	RG5-7144-000	102 - 12	RG5-7822-000	100 - 9
RF5-4256-000	100 - 5	RG5-7145-000	102 - 13	RG5-7823-000	101 - 25
RF5-4257-000	100 - 5	RG5-7146-000	110 - 4	RG5-7825-000	810A - 18
RF5-4258-000	301 - 4	RG5-7160-000	102 - 12	RG5-7826-000	301 -
RF5-4259-020	100 - 5	RG5-7161-000	110 - 9	RG5-7829-000	311 -
RF5-4260-020	100 - 5	RG5-7161-000	110 - 9	RG5-7832-000	810A - 14
RG1-4344-030	103 - 14	RG5-7413-000	810 -	RG5-7834-000	101 - 27
RG1-4350-000	103 - 16	RG5-7416-000	100 - 3	RG5-7836-000	103 - 19
RG1-4413-000	103 - 16	RG5-7417-000	102 - 25	RG5-7842-000	251 -
RG5-6880-000	103 - 5	RG5-7418-000	100 - 9	RG9-1690-000	103 - 14
RG5-6890-000	103 - 5	RG5-7419-000	103 - 17	RH2-5116-000	102 - 27
RG5-6897-020	102 - 22	RG5-7420-000	101 - 25	RH2-5230-000	102 - 27
RG5-6904-080	250 -	RG5-7422-000	810 - 18	RH2-5524-000	103 - 1
RG5-6911-000	251 -	RG5-7423-100	810 -	RH2-5603-000	103 - 18
RG5-6928-000	810 - 14	RG5-7424-000	810 -	RH2-5610-000	102 - 27
RG5-6929-000	810 - 15	RG5-7426-000	301 - 2	RH2-5621-000	103 - 18
RG5-6930-000	810 - 21	RG5-7430-000	100 - 3	RH3-2241-000	110 - 15



# NUMERICAL INDEX

## LBP2410/LBP5200(Numerical Index)

PARTS NUMBER	FIGURE & KEY NO.	PARTS NUMBER	FIGURE & KEY NO.	PARTS NUMBER	FIGURE & KEY NO
RH3-2243-000	110 - 15	RS7-0425-000	101 - 32	XD2-1100-322	102 - 502
RH3-2253-000	110 - 15	RS7-0426-000	101 - 22	XD2-1100-502	101 - 502
RH3-2262-000	110 - 15	RS7-0428-000	106 - 24	XD9-0233-000	310 - 25
RH3-2263-000	110 - 15	RS7-0429-000	101 - 23		
RH3-2265-000	110 - 15	RS7-0430-000	310 - 5		
RH5-3143-000	001 - 1	RS7-0431-000	310 - 4		
RH5-3150-000	001 - 1	RS7-0432-000	810 - 12		
RH5-3151-000	001 - 1	RS7-0435-000	102 - 17		
RH5-3170-000	001 - 1	RS7-0436-000	102 - 18		
RH7-1534-000	250 - 7	RS7-0437-000	102 - 19		
RH7-1625-000	251 - 2	RS7-0580-000	810A - 12		
RH7-1625-000	251 - 2	RS7-0582-000	810A - 27		
RH7-1628-000	250A - 7	RU5-8125-000	810A - 16		
RH7-1629-000	102 - 23	RU5-8126-000	103 - 20		
RH7-1629-000	102 - 23	WG8-5593-000	101 - 24		
RH7-1630-000	102 - 8	WG8-5593-000	106 - 37		
RH7-1630-000	102 - 8	WG8-5593-000	310 - 12		
RH7-1651-000	251 - 1	WS1-6336-000	106 - 23		
RH7-4149-000	102 - 11	WS1-6337-000	311 - 2		
RH7-5335-000	250A - 3	WT2-5056-000	101 - 31		
RH7-5383-000	101 - 16	WT2-5610-000	110 - 5		
RH7-5384-000	251 - 3	WT2-5700-000	106 - 42		
RH7-5384-000	251 - 3	WT2-5700-000	810 - 13		
RH7-5385-000	310 - 24	WT2-5700-000	810A - 13		
RH7-5389-000	102 - 9	WT2-5737-000	110 - 5		
RH7-5389-000	102 - 9	WT2-5778-000	103 - 11		
RH7-5389-000	250 - 3	XA9-0267-000	101 - 43		
RH7-6051-000	103 - 9	XA9-0890-000	101 - 43		
RH7-7158-000	101 - 49	XA9-1449-000	102 - 6		
RH7-7158-000	101 - 49	XA9-1449-000	110 - 6		
RL1-1576-000	100 - 6	XA9-1449-000	810 - 2		
RM1-3524-000	810 - 14	XA9-1449-000	810A - 22		
RS5-1635-000	101 - 33	XA9-1495-000	102 - 14		
RS5-1636-000	310 - 8	XA9-1495-000	103 - 6		
RS5-1637-000	106 - 20	XA9-1495-000	250 - 9		
RS5-1638-000	101 - 38	XA9-1495-000	250A - 9		
RS5-1638-000	310 - 16	XA9-1500-000	110 - 3		
RS5-5899-000	101 - 45	XB2-4300-605	106 - 501		
RS6-2025-000	310 - 7	XB4-5300-809	100 - 502		
RS6-2030-000	101 - 19	XB4-5300-809	301 - 501		
RS6-2746-000	101 - 41	XB4-7401-005	100 - 501		
RS6-2756-000	810 - 11	XB4-7401-005	101 - 501		
RS6-2759-000	100 - 10	XB4-7401-005	102 - 501		
RS6-2760-000	310 - 6	XB4-7401-005	105 - 501		
RS6-2766-000	106 - 38	XB4-7401-005	106 - 502		
RS6-2768-000	301 - 6	XB4-7401-005	300 - 501		
RS6-8657-000	810 - 16	XB4-7401-005	310 - 501		
RS6-8672-000	101 - 36	XB4-7401-005	311 - 501		
RS6-8673-000	810 - 20	XB6-7300-807	100 - 503		
RS6-8673-000	810A - 20	XB6-7300-807	102 - 503		
RS7-0418-000	101 - 20	XB6-7300-807	810A - 501		
RS7-0424-000	101 - 21	XB6-7301-007	103 - 501		



# LBP2410/LBP5200(Parts Catalog)

## LBP-2410

100-127V	R96-2034-000	JLAA000001-
220-240V EURO	R96-2038-000	KLSA000001-
220-240V AISA	R96-2038-000	KLTA000001-
220-240V CHINA	R96-2038-000	KLXA000001-
220-240V UK	R96-2038-000	KLYA000001-
100V	R96-2044-000	LNEA000001-

## LBP-5200

100V	R96-2104-000	LLEA000001-
120V	R96-2114-000	LLFA000001-
220V EURO	R96-2118-000	LLGA000001-
220V ASIA	R96-2118-000	LLMA000001-
220V CHINA	R96-2118-000	LLNA000001-
220V UK	R96-2118-000	LLPA000001-
220V AUST	R96-2118-000	LMFA000001-

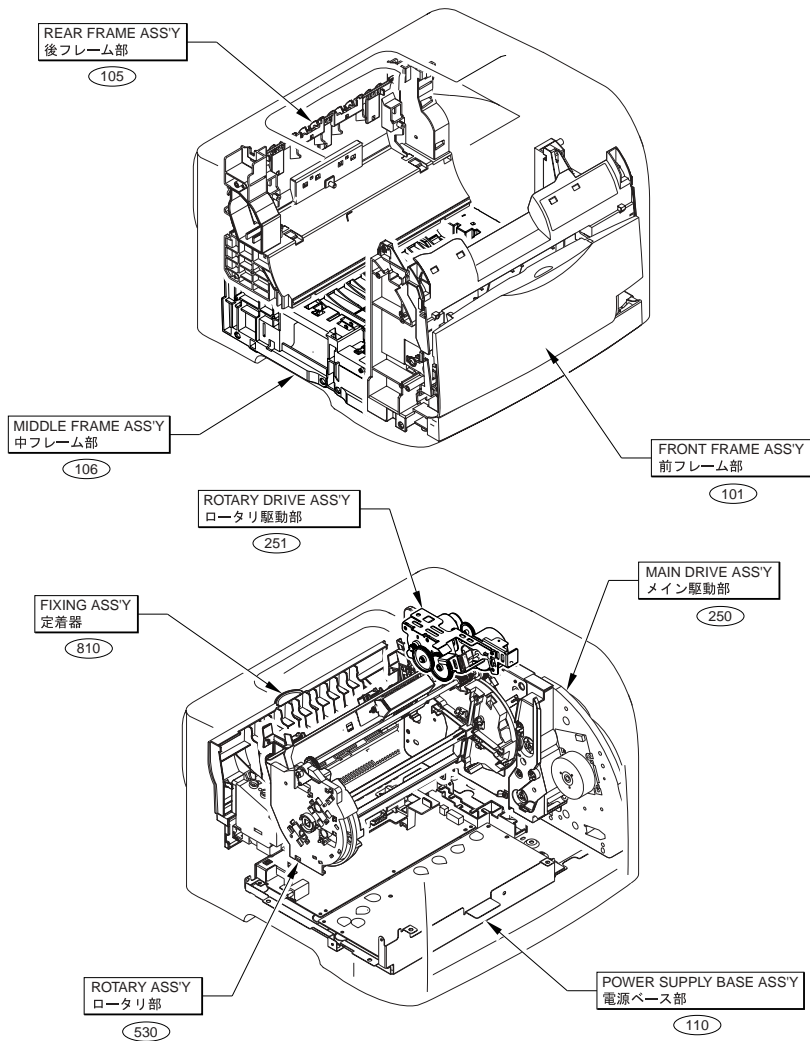


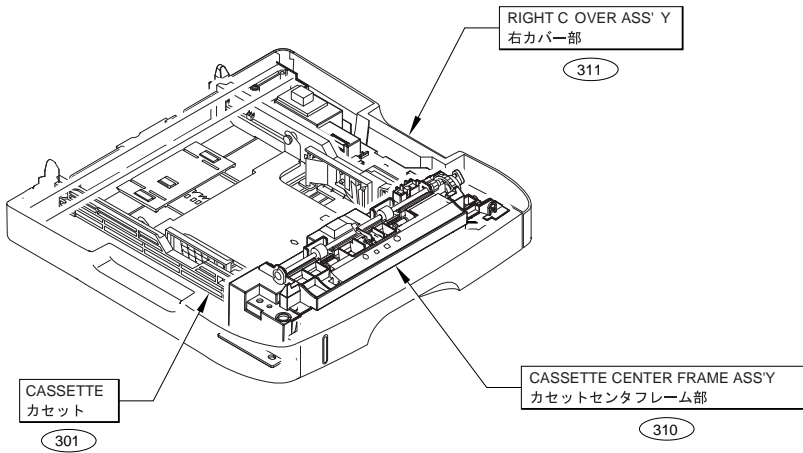
# Contents

A	ASSEMBLY LOCATION DIAGRAM .....	2-1
001	DISK UNIT .....	2-3
100	EXTERNAL COVERS, PANELS, ETC. ....	2-4
101	FRONT FRAME ASS'Y .....	2-7
102	INTERNAL COMPONENTS 1 .....	2-10
103	INTERNAL COMPONENTS 2 .....	2-13
105	REAR FRAME ASS'Y .....	2-15
106	MIDDLE FRAME ASS'Y .....	2-17
110	POWER SUPPLY BASE ASS'Y .....	2-20
250	MAIN DRIVE ASS'Y(LBP2410).....	2-22
250A	MAIN DRIVE ASS'Y(LBP5200).....	2-24
251	ROTARY DRIVE ASS'Y .....	2-26
300	PAPER FEED SYSTEM .....	2-27
301	CASSETTE .....	2-29
310	CASSETTE CENTER FRAME ASS'Y .....	2-31
311	RIGHT COVER ASS'Y .....	2-33
530	ROTARY ASS'Y .....	2-35
810	FIXING ASS'Y(LBP2410).....	2-37
810A	FIXING ASS'Y(LBP5200).....	2-39



# FIGURE A ASSEMBLY LOCATION DIAGRAM





NOTE : This feeder for japan model are standard equipments. overseas model serve as option.  
注 : 本フィーダは、国内向けが標準装備、海外向けがオプションとなります。



# FIGURE 001 DISK UNIT

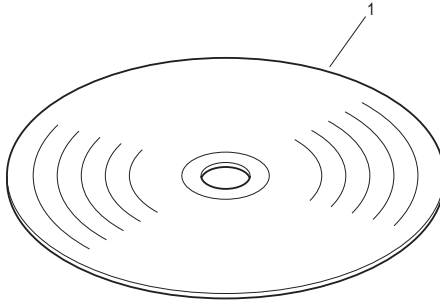


FIGURE & KEY NO.	PARTS NUMBER	RANK	QTY	DESCRIPTION	SERIAL NUMBER/REMARKS	SVC
Fig.001	NPN		RF	DISK UNIT		
1	RH5-3143-000		1	CD-ROM, USER SOFTWARE	LBP2410 JAPAN	
1	RH5-3151-000		1	CD-ROM, USER SOFTWARE	LBP2410 EURO	
1	RH5-3150-000		1	CD-ROM, USER SOFTWARE	LBP2410 OTHER	
1	RH5-3170-000		1	CD-ROM, USER SOFTWARE	LBP5200 JAPAN	

# FIGURE 100 EXTERNAL COVERS, PANELS, ETC.

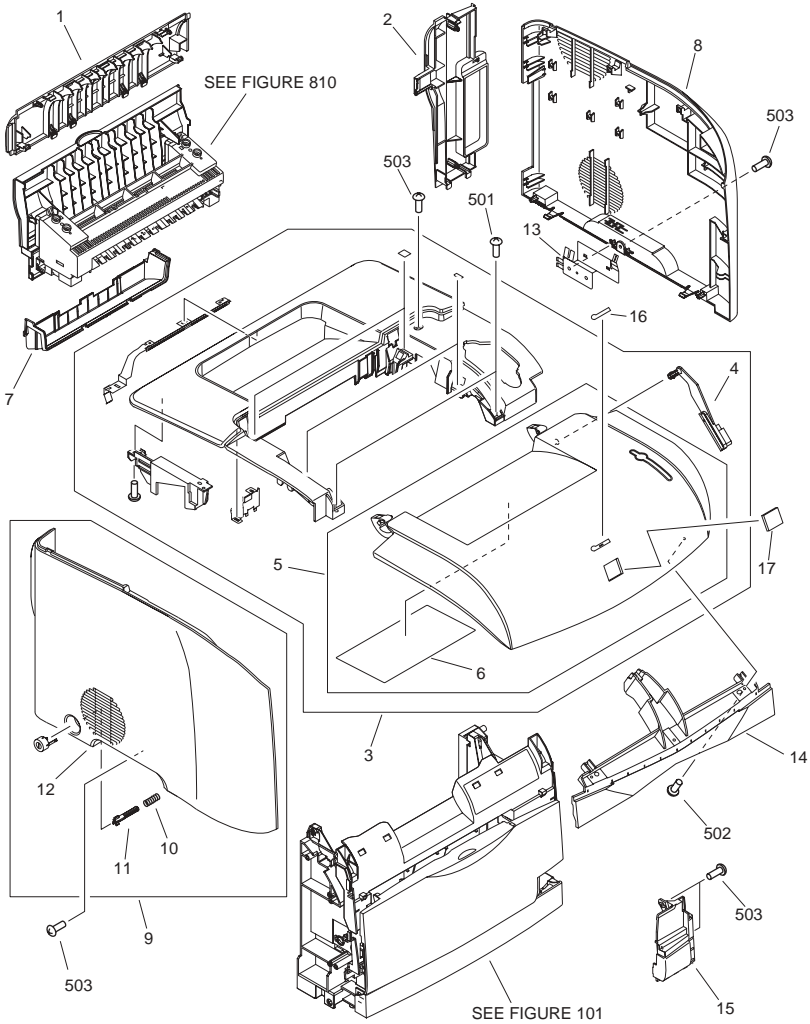


FIGURE & KEY NO.	PARTS NUMBER	R A N K	Q'TY	DESCRIPTION	SERIAL NUMBER/ REMARKS	S V C
Fig.100	NPN		RF	EXTERNAL COVERS, PANELS, ETC.		
1	RB3-0840-000		1	COVER, REAR	LBP2410	
1	RB3-0888-000		1	COVER, REAR	LBP5200	
2	RB3-0846-000		1	COVER, INTERFACE BOARD	LBP2410	
2	RB3-0892-000		1	COVER, INTERFACE BOARD	LBP5200	
3	RG5-7416-000		1	TOP COVER ASS'Y	LBP2410 100V	
3	RG5-7430-000		1	TOP COVER ASS'Y	LBP2410 120V 220V	
3	RG5-7819-050		1	TOP COVER ASS'Y	LBP5200 100V	
3	RG5-7820-050		1	TOP COVER ASS'Y	LBP5200 120V 220V	
4	RB3-0089-030		1	RACK, COVER		
5	RF5-4256-000		1	COVER, CARTRIDGE	LBP2410 100V	
5	RF5-4257-000		1	COVER, CARTRIDGE	LBP2410 120V 220V	
5	RF5-4259-020		1	COVER, CARTRIDGE	LBP5200 100V	
5	RF5-4260-020		1	COVER, CARTRIDGE	LBP5200 120V 220V	
6	RL1-1576-000		1	SHIELD SHEET UNIT		
7	RB3-0845-000		1	COVER, FACE-DOWN TRAY	LBP2410	
7	RB3-0891-000		1	COVER, FACE-DOWN TRAY	LBP5200	
8	RB3-0839-000		1	COVER, RIGHT	LBP2410	
8	RB3-0887-000		1	COVER, RIGHT	LBP5200	
9	RG5-7418-000		1	LEFT COVER ASS'Y	LBP2410	
9	RG5-7822-000		1	LEFT COVER ASS'Y	LBP5200	
10	RS6-2759-000		1	SPRING, COMPRESSION		
11	RB3-0037-000		1	ROD, POWER BUTTON		
12	RB3-0838-000		1	COVER, LEFT	LBP2410	
12	RB3-0886-000		1	COVER, LEFT	LBP5200	
13	RB3-0875-000		1	PLATE, GROUNDING		
14	RB3-0837-000		1	COVER, FRONT	LBP2410	
14	RB3-0885-000		1	COVER, FRONT	LBP5200	
15	RB3-0844-000		1	COVER, MULTI-PURPOSE, RIGHT	LBP2410	
15	RB3-0890-000		1	COVER, MULTI-PURPOSE, RIGHT	LBP5200	
16	RB3-0651-000		1	EMBLEM, 'CANON'		
17	RB3-0862-000		1	EMBLEM	LBP2410	

FIGURE & KEY NO.	PARTS NUMBER	RANK	Q'TY	DESCRIPTION	SERIAL NUMBER/REMARKS	SVC
17	FC5-5256-000		1	EMBLEM	LBP5200 100V	
501	XB4-7401-005		2	SCREW,TAPPING,TRUSS HEAD,M4X10	LBP5200	
502	XB4-5300-809		4	SCREW,P,M3X8	LBP5200	
503	XB6-7300-807		5	SCREW, TP, M3X8	LBP5200	
	RC2-0062-000		1	EMBLEM	LBP5200 120V 220V	

FIGURE 101  
FRONT FRAME ASS'Y

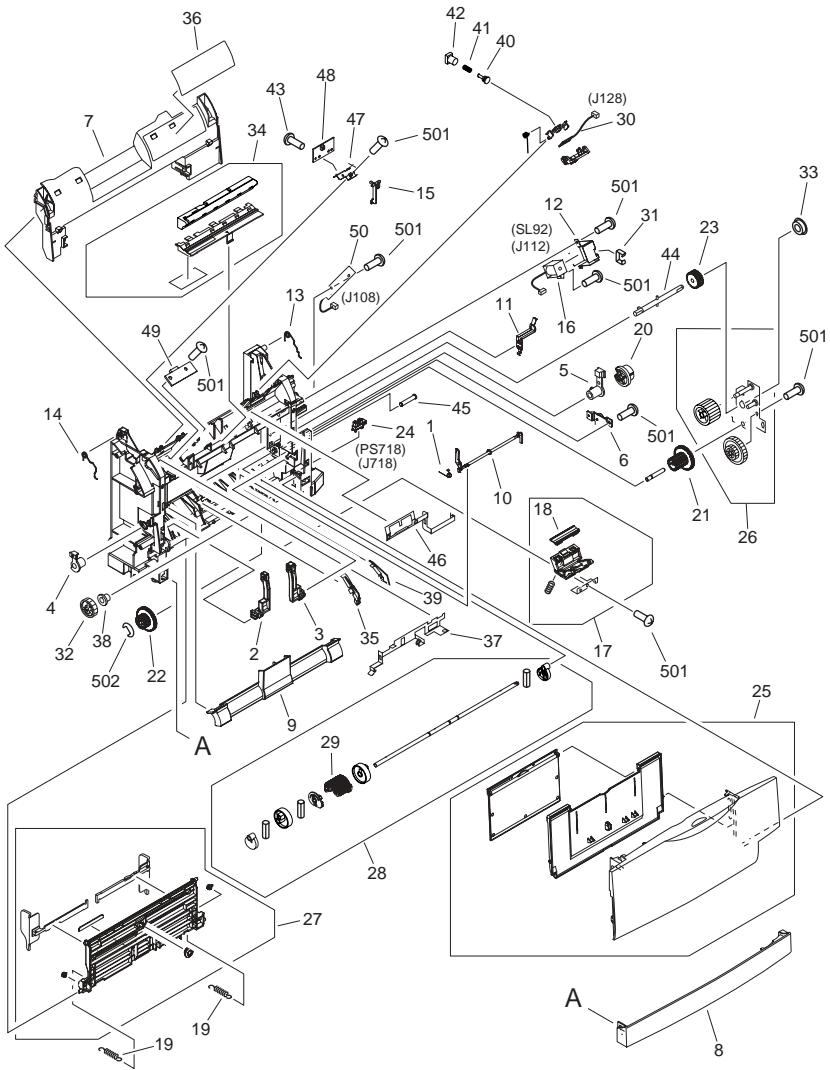


FIGURE & KEY NO.	PARTS NUMBER	RANK	Q'TY	DESCRIPTION	SERIAL NUMBER/REMARKS	SVC
Fig.101	NPN		RF	FRONT FRAME ASS'Y		
1	RB2-9952-000		1	SPRING, TORSION		
2	RB2-3041-000		1	HINGE, LEFT	LBP2410	
2	RB3-1388-000		1	HINGE, LEFT	LBP5200	
3	RB2-3042-000		1	HINGE, RIGHT	LBP2410	
3	RB3-1389-000		1	HINGE, RIGHT	LBP5200	
4	RB2-3043-000		1	BUSHING, LEFT		
5	RB2-3044-000		1	BUSHING, RIGHT		
6	RB2-6248-000		1	DAMPER ASS'Y		
7	RB3-0842-000		1	COVER, MULTI-PURPOSE, UPPER	LBP2410	
7	RB3-0877-000		1	COVER, MULTI-PURPOSE, UPPER	LBP5200	
8	RB3-0843-000		1	COVER, MULTI-PURPOSE, LOWER	LBP2410	
8	RB3-0889-000		1	COVER, MULTI-PURPOSE, LOWER	LBP5200	
9	RB3-0104-000		1	COVER, MULTI-PURPOSE ROLLER		
10	RB3-0111-000		1	FLAG, MULTI-PURPOSE SENSOR		
11	RB3-0119-000		1	SPRING, LEAF, GROUNDING		
12	RB3-0120-000		1	COVER, MP. GAUSS BLOCKING		
13	RB3-0121-000		1	SPRING, TORSION		
14	RB3-0122-000		1	SPRING, TORSION		
15	RB3-0135-000		1	FLAG, TEST PRINT SWITCH		
16	RH7-5383-000		1	SOLENOID	SL92 J112	
17	RF5-4012-000		1	PAD, PAPER SEPARATION		
18	RB3-0113-000		1	PAD, SEPARATION		
19	RS6-2030-000		2	SPRING, TENSION		
20	RS7-0418-000		1	GEAR, 26T		
21	RS7-0424-000		1	GEAR, 20T/40T		
22	RS7-0426-000		1	GEAR, 26T/50T		
23	RS7-0429-000		1	GEAR, 26T		
24	WG8-5593-000		1	PHOTO INTERRUPTER TLP1242	PS718 J718	
25	RG5-7420-000		1	MULTI-PURPOSE COVER ASS'Y	LBP2410	
25	RG5-7823-000		1	MULTI-PURPOSE COVER ASS'Y	LBP5200	
26	RG5-6938-000		1	GEAR ASS'Y		

FIGURE & KEY NO.	PARTS NUMBER	RANK	Q'TY	DESCRIPTION	SERIAL NUMBER/REMARKS	SVC
27	RG5-6951-000		1	MP. INNER PLATE ASS'Y	LBP2410	
27	RG5-7834-000		1	MP. INNER PLATE ASS'Y	LBP5200	
28	RG5-6952-000		1	MP. PAPER PICK-UP ROLLER ASS'Y		
29	RB3-0160-000		1	ROLLER, MP. PAPER PICK-UP		
30	RG5-7131-000		1	TAG CONTACT PCB ASS'Y	J128	
30	RG5-7131-000		1	TAG CONTACT PCB ASS'Y	LBP5200 J128	
31	WT2-5056-000		1	CLIP, CABLE		
32	RS7-0425-000		1	GEAR, 30T		
33	RS5-1635-000		1	BUSHING		
34	RF5-4047-000		1	PAD, LIGHT-BLOCKING		
35	RB2-9954-000		1	GUIDE, PAPER FEED, LEFT		
36	RS6-8672-000		1	LABEL, DRUM CARTRIDGE		
37	RB2-9942-000		1	PLATE, GROUNDING		
38	RS5-1638-000		1	BUSHING		
39	RB2-9955-000		1	GUIDE, PAPER FEED, RIGHT		
40	RB3-0164-000		1	PIN, TAG		
41	RS6-2746-000		1	SPRING, COMPRESSION		
42	RB3-0163-000		1	SUPPORT, TAG PIN		
43	XA9-0267-000		2	SCREW, TP, M3X6	LBP2410	
43	XA9-0890-000		2	SCREW, W/WASHER, M3X6	LBP5200	
44	RF5-4015-000		1	SHAFT, P. PICK-UP CLUTCH GEAR		
45	RS5-5899-000		1	SHAFT		
46	RB2-9940-000		1	PLATE, GROUNDING		
47	RB3-0117-000		1	HOLDER, TOP SENSOR PCB		
48	RG5-7612-000		1	TOP SENSOR PCB ASS'Y		
48	RG5-7612-000		1	TOP SENSOR PCB ASS'Y	LBP5200	
49	RH7-7158-000		1	DENSITY SENSOR UNIT		
49	RH7-7158-000		1	DENSITY SENSOR UNIT	LBP5200	
50	RG5-6965-000		1	WASTE TONER SENSOR PCB ASS'Y	LBP2410	
50	RG5-7648-000		1	WASTE TONER SENSOR PCB ASS'Y	LBP5200	
501	XB4-7401-005		11	SCREW,TAPPING,TRUSS HEAD,M4X10		
502	XD2-1100-502		1	RING,E		

# FIGURE 102 INTERNAL COMPONENTS 1

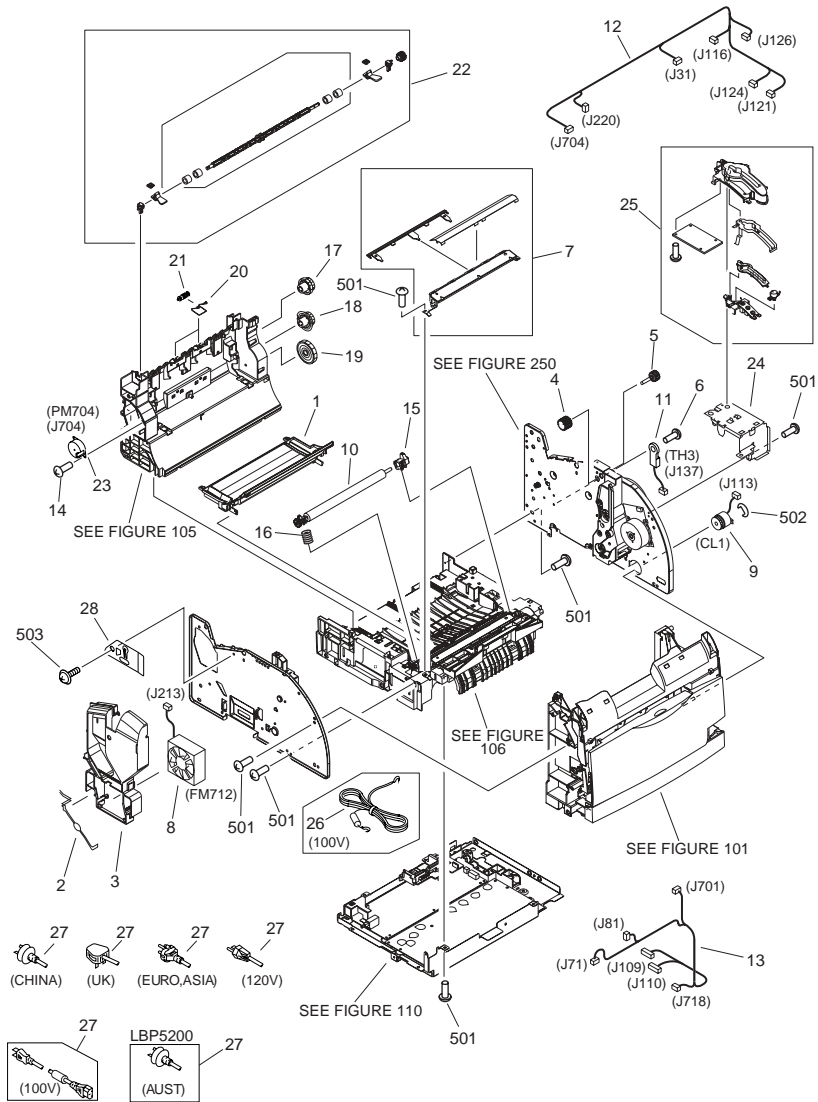




FIGURE & KEY NO.	PARTS NUMBER	R A N K	Q'TY	DESCRIPTION	SERIAL NUMBER/ REMARKS	S V C
Fig.102	NPN		RF	INTERNAL COMPONENTS 1		
1	RB3-0019-000		1	TRAY, TONER		
2	RB2-9932-000		1	GUARD, FAN SHIELD		
3	RB3-0025-000		1	DUCT, FAN	LBP2410	
3	RB9-0901-000		1	DUCT, FAN	LBP5200	
4	RB3-0091-000		1	GEAR, 16T		
5	RB3-0092-000		1	GEAR, 15T		
6	XA9-1449-000		1	SCREW, RS, M3X8		
7	RF5-4049-000		1	ENTRANCE GUIDE ASSY	LBP2410	
7	RF5-4065-000		1	ENTRANCE GUIDE ASSY	LBP5200	
8	RH7-1630-000		1	FAN	FM712 J213	
8	RH7-1630-000		1	FAN	LBP5200FM712 J213	
9	RH7-5389-000		1	CLUTCH, ELECTROMAGNETIC	CL1 J113	
9	RH7-5389-000		1	CLUTCH, ELECTROMAGNETIC	LBP5200CL1 J113	
10	RF5-4040-000		1	ROLLER, TRANSFER	LBP2410	
10	RF5-4067-000		1	ROLLER, TRANSFER	LBP5200	
11	RH7-4149-000		1	SLEEVE THERMISTOR UNIT	TH3, J137	
12	RG5-7144-000		1	CABLE, UPPER	LBP2410J31,J116, J121, J124, J126, J220, J704	
12	RG5-7160-000		1	CABLE, UPPER	LBP5200J31,J116, J121, J124, J126, J220, J704	
13	RG5-7145-000		1	CABLE, FRONT FRAME	J71, J81, J109, J110, J701, J718	
14	XA9-1495-000		2	SCREW, RS, M3X6		
15	RB3-0014-000			BUSHING, TRANSFER, RIGHT	LBP2410	
15	RB3-1094-000		1	BUSHING, TRANSFER, RIGHT	LBP5200	
16	RB3-0015-000		1	SPRING, COMPRESSION		
17	RS7-0435-000		1	GEAR, 32T/37T		
18	RS7-0436-000		1	GEAR, 37T/43T		
19	RS7-0437-000		1	GEAR, 51T		
20	RB2-9905-000		2	SPRING, TORSION		
21	RB2-9908-000		2	ROLLER, FACE-DOWN, UPPER	LBP2410	
21	RF5-4068-000		2	ROLLER, FACE-DOWN, UPPER	LBP5200	

FIGURE & KEY NO.	PARTS NUMBER	R A N K	Q'TY	DESCRIPTION	SERIAL NUMBER/ REMARKS	S V C
22	RG5-6897-020		1	UPPER FACE-DOWN ROLLER ASS'Y		
23	RH7-1629-000		1	MOTOR, DC24V	PM704 J704	
23	RH7-1629-000		1	MOTOR, DC24V	LBP5200PM704 J704	
24	RB3-0853-000		1	MOUNT, OPERATION PANEL ASS'Y		
25	RG5-7417-000		1	OPERATION PANEL COVER ASS'Y	LBP2410	
25	RG5-7821-000		1	OPERATION PANEL COVER ASS'Y	LBP5200	
26	RG5-7438-000		1	WIRE, GROUNDING	100V	
27	RG5-7437-000		1	CORD, POWER	100V	
27	FH2-7120-000		1	CORD, POWER	120V	
27	RH2-5116-000		1	CORD, POWER	EURO ASIA	
27	RH2-5610-000		1	CORD, POWER	CHINA	
27	RH2-5230-000		1	CORD, POWER	UK	
27	FH2-7082-000		1	CORD, POWER	AUST	
28	RB3-1113-000		1	PLATE, SWING SHAFT GROUNDING		
501	XB4-7401-005		27	SCREW,TAPPING,TRUSS HEAD,M4X10		
502	XD2-1100-322		1	RING,E		
503	XB6-7300-807		1	SCREW, TP, M3X8		

# FIGURE 103 INTERNAL COMPONENTS 2

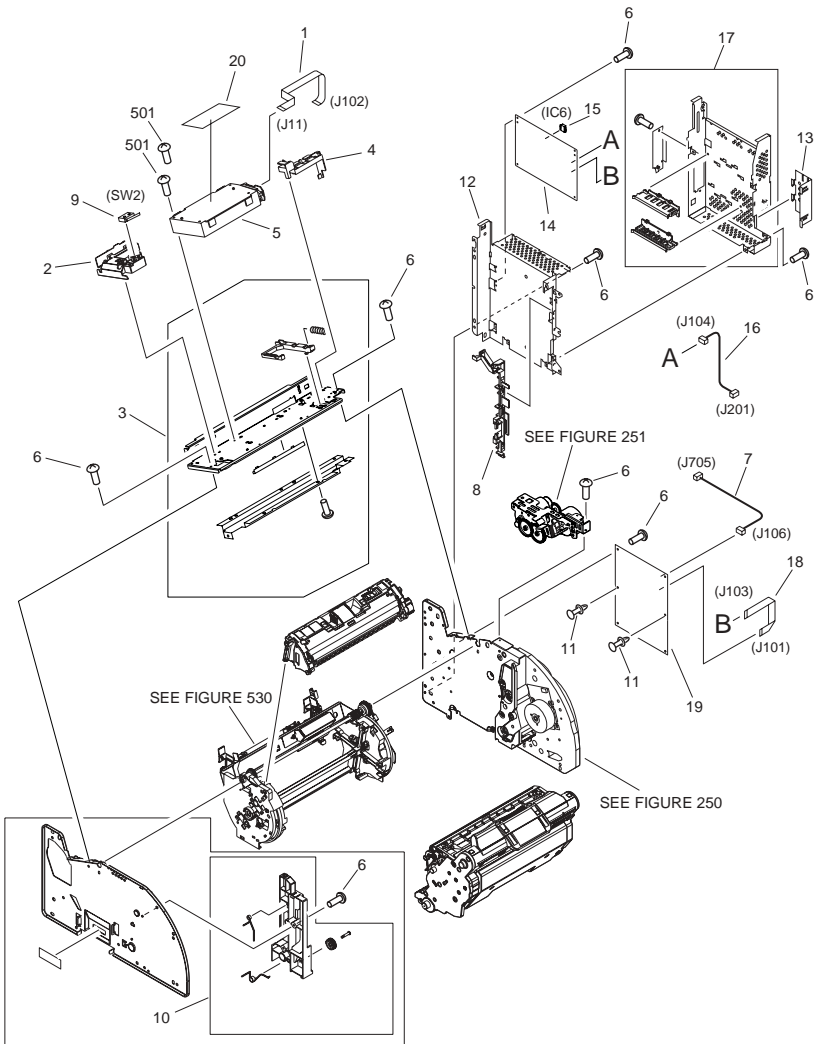


FIGURE & KEY NO.	PARTS NUMBER	R A N K	Q'TY	DESCRIPTION	SERIAL NUMBER/ REMARKS	S V C
Fig.103	NPN		RF	INTERNAL COMPONENTS 2		
1	RH2-5524-000		1	CABLE, FLAT, LASER	J11, J102	
2	RB3-0023-000		1	HOLDER, INTERLOCK SWITCH		
4	RB2-9903-000		1	GUIDE, CABLE		
5	RG5-6880-000		1	SCANNER ASS'Y	LBP2410	
5	RG5-6890-000		1	SCANNER ASS'Y	LBP5200	
6	XA9-1495-000		18	SCREW, RS, M3X6	LBP5200	
7	RG5-7114-020		1	CABLE, MOTOR	J106, J705	
7	RG5-7114-020		1	CABLE, MOTOR	LBP5200J106, J705	
8	RB3-0860-000		1	GUIDE, CABLE		
9	RH7-6051-000		1	MICROSWITCH	SW2	
10	RG5-6935-000		1	LEFT CARTRIDGE GUIDE ASS'Y		
11	WT2-5778-000		2	SPACER, PCB		
12	RB3-0858-000		1	MOUNT, INTERFACE CONT. PCB		
13	RB3-0869-000		1	COVER, INTERFACE CONT. CASE		
14	RG1-4344-030		1	VIDEO CONTROLLER PCB ASS'Y	LBP2410	
14	RG9-1690-000		1	VIDEO CONTROLLER PCB ASS'Y	LBP5200	
15	RF1-4218-000		1	ECP-ROM,IC, BR93LC46-C	LBP2410IC6	
15	RF1-4233-000		1	ECP-ROM,IC, BR93L46-W	LBP5200IC6	
16	RG1-4350-000		1	CABLE, INTERFACE CONTROLLER	LBP2410J104, J201	
16	RG1-4413-000		1	CABLE, INTERFACE CONTROLLER	LBP5200J104, J201	
17	RG5-7419-000		1	INTERFACE CONT. CASE ASS'Y		
18	RH2-5603-000		1	CABLE, FLAT	LBP2410J101, J103	
18	RH2-5621-000		1	CABLE, FLAT	LBP5200J101, J103	
19	RG5-7836-000		1	DC CONTROLLER PCB ASS'Y	LBP2410	
19	RG5-7817-000		1	DC CONTROLLER PCB ASS'Y	LBP5200	
20	RU5-8126-000		1	LABEL, WARNING LASER		
501	XB6-7301-007		4	SCREW, TP, M3X10	LBP5200	

FIGURE 105  
REAR FRAME ASS'Y

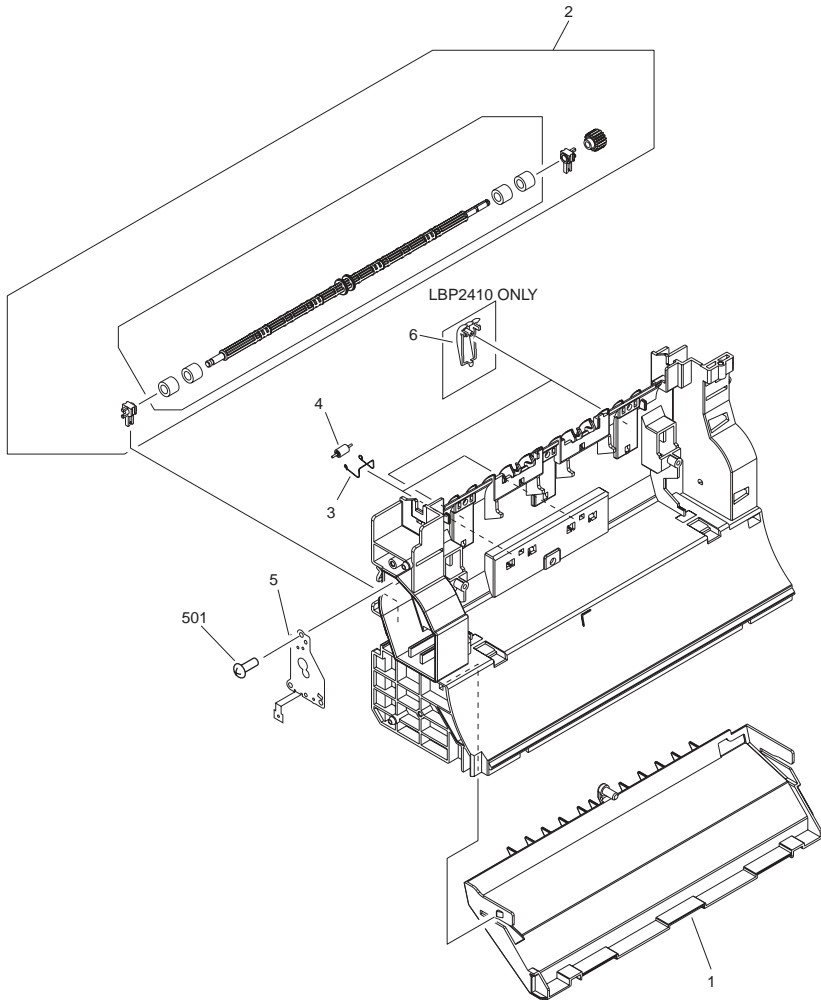


FIGURE & KEY NO.	PARTS NUMBER	RANK	Q'TY	DESCRIPTION	SERIAL NUMBER/REMARKS	SVC
Fig.105	NPN		RF	REAR FRAME ASS'Y		
1	RB2-9904-000		1	DUCT, FIXING		
2	RG5-6936-000		1	LOWER FACE-DOWN ROLLER ASS'Y	LBP2410	
2	RG5-7595-000		1	LOWER FACE-DOWN ROLLER ASS'Y	LBP5200	
3	RB2-9906-000		2	SPRING, TORSION	LBP2410	
3	RB3-1065-000		2	SPRING, TORSION	LBP5200	
4	RB2-9909-000		2	ROLLER, FACE-DOWN, LOWER		
5	RB2-9916-000		1	COVER, PRESSURE MOTOR		
6	RB2-9912-000		2	GUIDE, OUT SIDE PAPER	LBP2410	
501	XB4-7401-005		3	SCREW,TAPPING,TRUSS HEAD,M4X10		

FIGURE 106  
MIDDLE FRAME ASS'Y

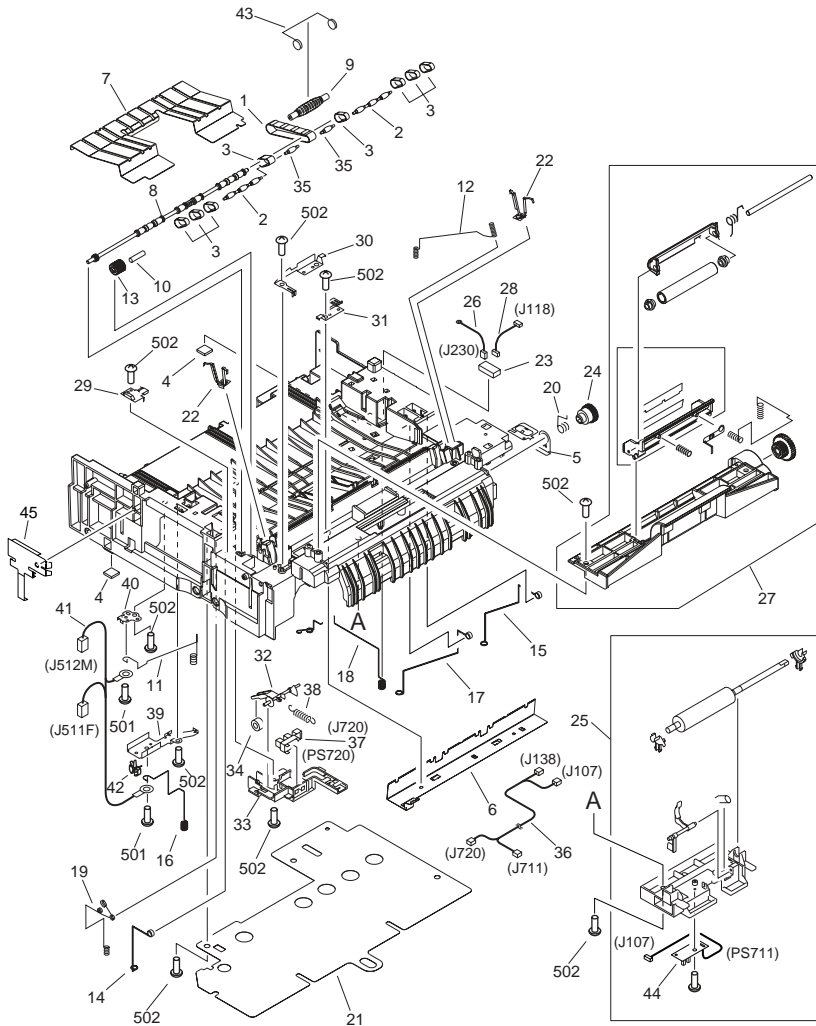


FIGURE & KEY NO.	PARTS NUMBER	R A N K	Q'TY	DESCRIPTION	SERIAL NUMBER/ REMARKS	S V C
Fig.106	NPN		RF	MIDDLE FRAME ASS'Y		
1	RB1-8668-030		1	BELT, TIMING		
2	RB3-0061-000		2	PULLEY		
3	RB3-0063-000		8	BELT, PAPER FEED		
4	RB2-6297-000		2	FOOT, RUBBER		
5	RB3-0286-000		1	PLATE, H ROLLER GROUNDING		
6	RB3-0009-000		1	PLATE, STATIC CHARGE ELIM.		
7	RB3-0010-000		1	PLATE, PAPER FEED		
8	RB3-0011-000		1	SHAFT, FEED DRIVE		
9	RB3-0012-000		1	ROLLER, SM BELT		
10	RB3-0060-000		1	SHAFT, IDLER GEAR		
11	RB3-0045-000		1	SPRING, TORSION		
12	RB3-0016-000		1	SPRING, TORSION		
13	RB3-0022-000		1	GEAR, 23T		
14	RB3-0042-000		1	SPRING, TORSION		
15	RB3-0043-000		1	SPRING, TORSION		
16	RB3-0044-000		1	SPRING, TORSION		
17	RB3-0046-000		1	SPRING, TORSION		
18	RB3-0047-000		1	SPRING, TORSION		
19	RB3-0048-000		1	SPRING, TORSION		
20	RS5-1637-000		1	BUSHING		
21	RB3-0056-000		1	SHEET, INSULATING	LBP2410	
21	RB3-1110-000		1	SHEET, INSULATING	LBP5200	
22	RB3-0057-000		2	PLATE, TRANSFER SLIDE		
23	WS1-6336-000		1	CONNECTOR, OPT.CASSETTE DRAWER	J230	
24	RS7-0428-000		1	GEAR, 30T		
25	RG5-6939-020		1	REGISTRATION ROLLER ASS'Y		
26	RG5-7123-000		1	CABLE, GROUNDING	J230	
27	RG5-6940-000		1	REGISTRATION SHUTTER ASS'Y		
28	RG5-7122-000		1	CABLE, INTERFACE	LBP2410J118, J230	
28	RG5-7608-000		1	CABLE, INTERFACE	LBP5200J118, J230	

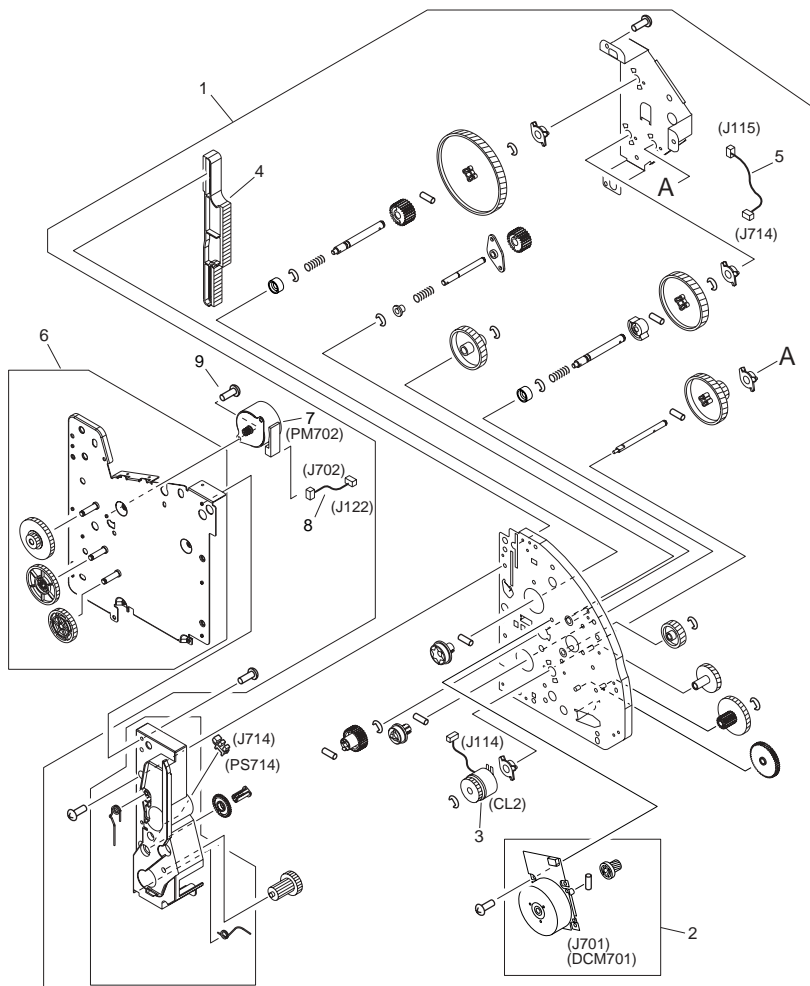


FIGURE & KEY NO.	PARTS NUMBER	R A N K	Q'TY	DESCRIPTION	SERIAL NUMBER/ REMARKS	S V C
29	RB3-0052-000		1	COVER, GEAR		
30	RB3-0065-000		1	SPRING, GROUNDING		
31	RB3-0066-000		1	SPRING, GROUNDING		
32	RB2-9925-000		1	ARM, SENSOR FLAG		
33	RB2-9924-000		1	HOLDER, SENSOR		
34	RB2-7195-000		1	ROLLER, TRANSFER SENSOR		
35	RB3-0067-000		2	PULLEY		
36	RG5-7128-000		1	PAPER SENSOR CABLE	J107, J138, J720, J711	
37	WG8-5593-000		1	PHOTO INTERRUPTER TLP1242	PS720, J720	
38	RS6-2766-000		1	SPRING, TENSION		
39	RB2-9850-000		1	MOUNT, DEV. TERMINAL		
40	RB2-9851-000		1	MOUNT, DEV. ANTENNA CONTACT		
41	RG5-7130-000		1	DEV. H.V.T. CABLE	J511F, J512M	
42	WT2-5700-000		1	CLAMP, CABLE		
43	RB2-9999-000		1	SPRING, TORSION		
44	RG5-7613-000		1	REGISTRATION SENSOR PCB ASS'Y		
44	RG5-7613-000		1	REGISTRATION SENSOR PCB ASS'Y	LBP5200	
45	RB2-9982-000		1	PLATE, GROUNDING	LBP5200	
501	XB2-4300-605		2	SCREW, WWASHER, M3X6		
502	XB4-7401-005		13	SCREW,TAPPING,TRUSS HEAD,M4X10		



FIGURE & KEY NO.	PARTS NUMBER	RANK	Q'TY	DESCRIPTION	SERIAL NUMBER/REMARKS	SVC
Fig.110	NPN		RF	POWEW SUPPLY BASE ASS'Y		
1	RB3-0006-000		1	HOLDER, FIXING CONNECTOR		
2	RB3-0007-000		1	SHEET, INSULATING		
3	XA9-1500-000		4	SCREW, RS, M3X8		
4	RG5-7146-000		1	CABLE, H.V.T.	J135, J136, J501, J502	
5	WT2-5737-000		2	CLIP, CABLE	LBP2410	
5	WT2-5610-000		2	CLIP, CABLE	LBP5200	
6	XA9-1449-000		9	SCREW, RS, M3X8		
7	RG5-7126-000		1	SUB H.V.T. CABLE	J503, J505	
8	RG5-7109-000		1	CABLE, FIXING CONNECTING DC	J119, J201	
9	RG5-7161-000		1	CABLE, FIXING POWER	J201, J302	
9	RG5-7161-000		1	CABLE, FIXING POWER	LBP5200J201, J302	
10	RG5-7106-000		1	CABLE, VIDEO INTERFACE POWER	J401, J102	
11	RG5-7107-000		1	CABLE, POWER, 1	LBP2410J133, J402	
11	RG5-7621-000		1	CABLE, POWER, 1	LBP520 J133, J402	
12	RG5-7108-000		1	CABLE, POWER, 2	J134, J403	
13	RB3-0062-000		1	HOLDER, HIGH VOLTAGE		
14	RG5-6960-000		1	H.V.T. PCB ASS'Y	LBP2410	
14	RG5-7647-000		1	H.V.T. PCB ASS'Y	LBP5200	
15	RH3-2253-000		1	LOW VOLTAGE PCB ASS'Y	LBP2410 100V	
15	RH3-2265-000		1	LOW VOLTAGE PCB ASS'Y	LBP5200 100V	
15	RH3-2241-000		1	LOW VOLTAGE PCB ASS'Y	LBP2410 120V	
15	RH3-2262-000		1	LOW VOLTAGE PCB ASS'Y	LBP5200 120V	
15	RH3-2243-000		1	LOW VOLTAGE PCB ASS'Y	LBP2410 220V	
15	RH3-2263-000		1	LOW VOLTAGE PCB ASS'Y	LBP5200 220V	
16	RG5-7616-000		1	SUB H.V.T. PCB ASS'Y		
16	RG5-7616-000		1	SUB H.V.T. PCB ASS'Y	LBP5200	

FIGURE 250  
MAIN DRIVE ASS'Y(LBP2410)

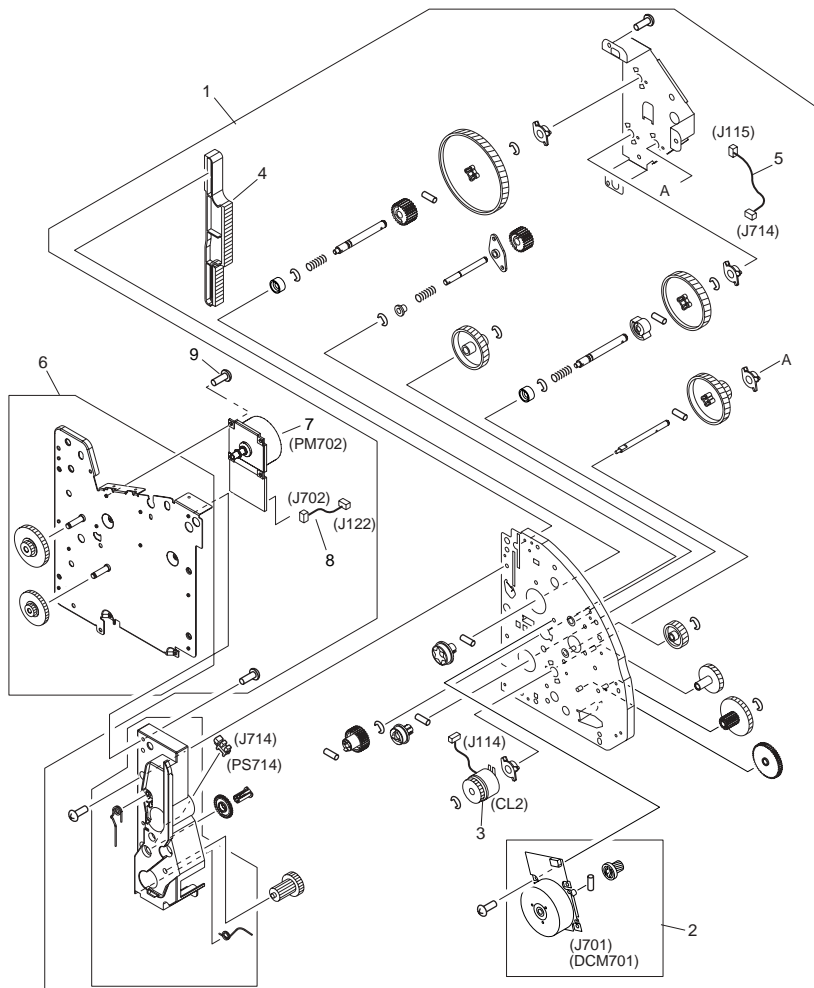


NOTE : This assembly does not include the part shown with key No.7~9

注 : このユニットにkey No. 7~9の部品は含まれません。

FIGURE & KEY NO.	PARTS NUMBER	RANK	Q'TY	DESCRIPTION	SERIAL NUMBER/REMARKS	SVC
Fig.250	RG5-6904-080		1	MAIN DRIVE ASS'Y(LBP2410)	LBP2410	
1	RG5-6932-070		1	RIGHT SIDE PLATE FRONT ASS'Y		
2	RF5-4010-000		1	MOTOR UNIT		
3	RH7-5389-000		1	CLUTCH, ELECTROMAGNETIC	CL1 J113	
4	RB3-0090-000		1	RACK		
5	RG5-7115-000		1	CABLE, SECOND. TRANSFER SENSOR	J115, J714	
6	RG5-6934-000		1	RIGHT SIDE PLATE REAR ASS'Y		
7	RH7-1534-000		1	MOTOR, DC		
8	RG5-7116-000		1	CABLE, FIXING MOTOR		
9	XA9-1495-000		4	SCREW, RS, M3X6		

# FIGURE 250A MAIN DRIVE ASS'Y(LBP5200)



NOTE : This assembly does not include the part shown with key No.7~9

注 : このユニットにkey No. 7~9の部品は含まれません。

FIGURE & KEY NO.	PARTS NUMBER	RANK	Q'TY	DESCRIPTION	SERIAL NUMBER/REMARKS	SVC
Fig.250A	RG5-7579-000		1	MAIN DRIVE ASS'Y(LBP5200)	LBP5200	
1	RG5-7581-000		1	RIGHT SIDE PLATE FRONT ASS'Y		
2	RF5-4063-000		1	MOTOR UNIT		
3	RH7-5335-000		1	CLUTCH, ELECTROMAGNETIC	CL2 J114	
4	RB3-0090-000		1	RACK		
5	RG5-7115-000		1	CABLE, SECOND. TRANSFER SENSOR	J115, J714	
6	RG5-7580-000		1	RIGHT SIDE PLATE REAR ASS'Y		
7	RH7-1628-000		1	MOTOR, DC		
8	RG5-7620-000		1	CABLE, FIXING MOTOR		
9	XA9-1495-000		4	SCREW, RS, M3X6		

# FIGURE 251 ROTARY DRIVE ASS'Y

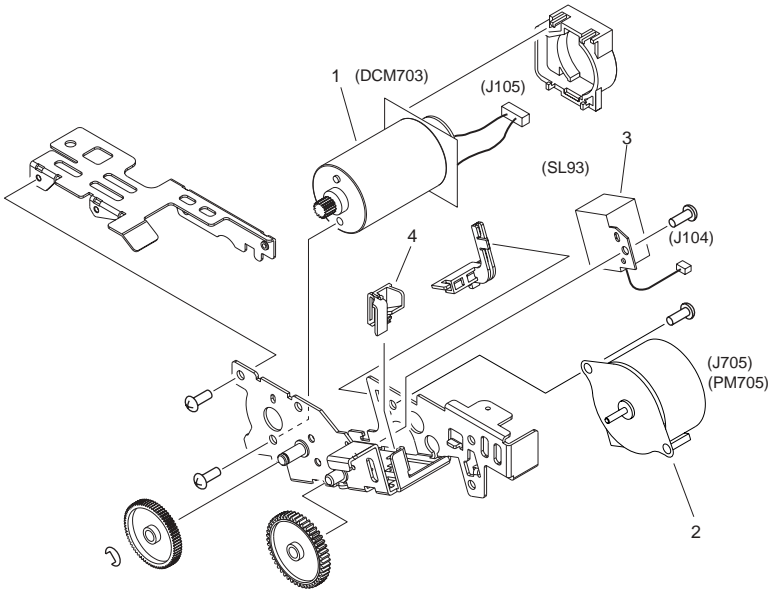


FIGURE & KEY NO.	PARTS NUMBER	RANK	Q'TY	DESCRIPTION	SERIAL NUMBER/REMARKS	SVC
Fig.251	RG5-6911-000		1	ROTARY DRIVE ASS'Y	LBP2410	
Fig.251	RG5-7842-000		1	ROTARY DRIVE ASS'Y	LBP5200	
1	RG5-6958-000		1	MOTOR UNIT	LBP2410DCM703 J105	
1	RH7-1651-000		1	MOTOR UNIT	LBP5200DCM703 J105	
2	RH7-1625-000		1	MOTOR, DC24V	PM705 J705	
2	RH7-1625-000		1	MOTOR, DC24V	LBP5200PM705 J705	
3	RH7-5384-000		1	SOLENOID	SL93 J104	
3	RH7-5384-000		1	SOLENOID	LBP5200SL93 J104	
4	RB2-9852-000		1	GUIDE, ROTARY RELEASE		



# FIGURE 300 PAPER FEED SYSTEM

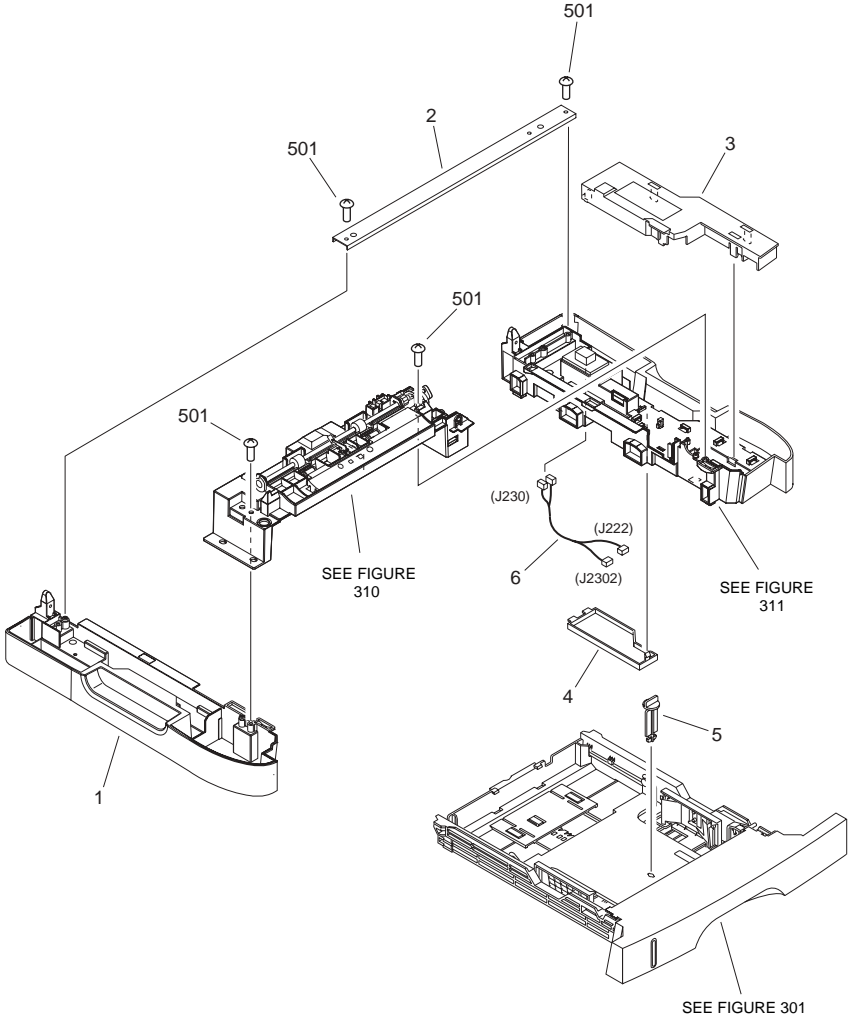


FIGURE & KEY NO.	PARTS NUMBER	RANK	Q'TY	DESCRIPTION	SERIAL NUMBER/REMARKS	SVC
Fig.300	NPN		RF	PAPER FEED SYSTEM	LBP5200 100V	
1	RB3-1382-000		1	COVER, CASSETTE, LEFT		
2	RB3-0108-000		1	CROSSMEMBER, CASSETTE FRAME		
3	RB3-0282-000		1	COVER, FRAME, 1		
4	RB3-0283-000		1	COVER, FRAME, 2		
5	RB2-3019-000		1	STOPPER, PLATE, PAPER LIFTING		
6	RG5-7433-000		1	CABLE, DRAWER CONNECTING	J230 J2302	
501	XB4-7401-005		6	SCREW,TAPPING,TRUSS HEAD,M4X10		

# FIGURE 301 CASSETTE

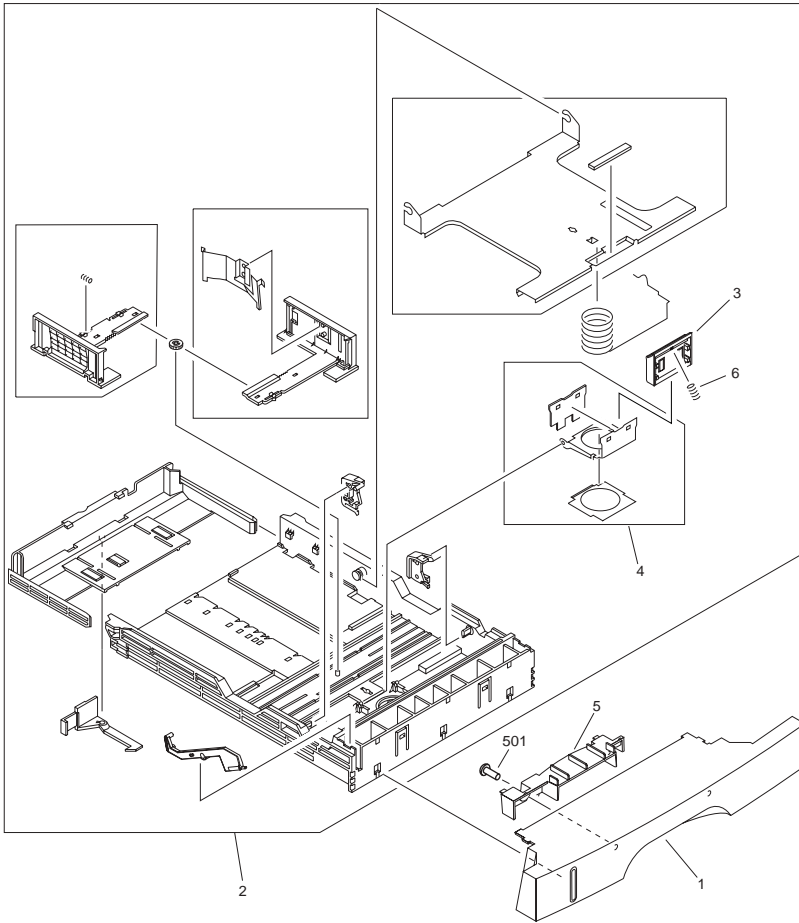


FIGURE & KEY NO.	PARTS NUMBER	RANK	Q'TY	DESCRIPTION	SERIAL NUMBER/REMARKS	SVC
Fig.301	RG5-7826-000		1	CASSETTE	LBP5200 100V	
1	RB3-1384-000		1	COVER, CASSETTE FRONT		
2	RG5-7426-000		1	CASSETTE MAIN BODY ASS'Y		
3	RB2-9960-000		1	PAD, SEPARATION		
4	RF5-4258-000		1	PAPER SEPARATION PAD ASS'Y		
5	RB3-1386-000		1	PLATE, FRONT BLANKING		
6	RS6-2768-000		1	SPRING, COMPRESSION		
501	XB4-5300-809		2	SCREW, M3X8		

FIGURE 310  
CASSETTE CENTER FRAME ASS'Y

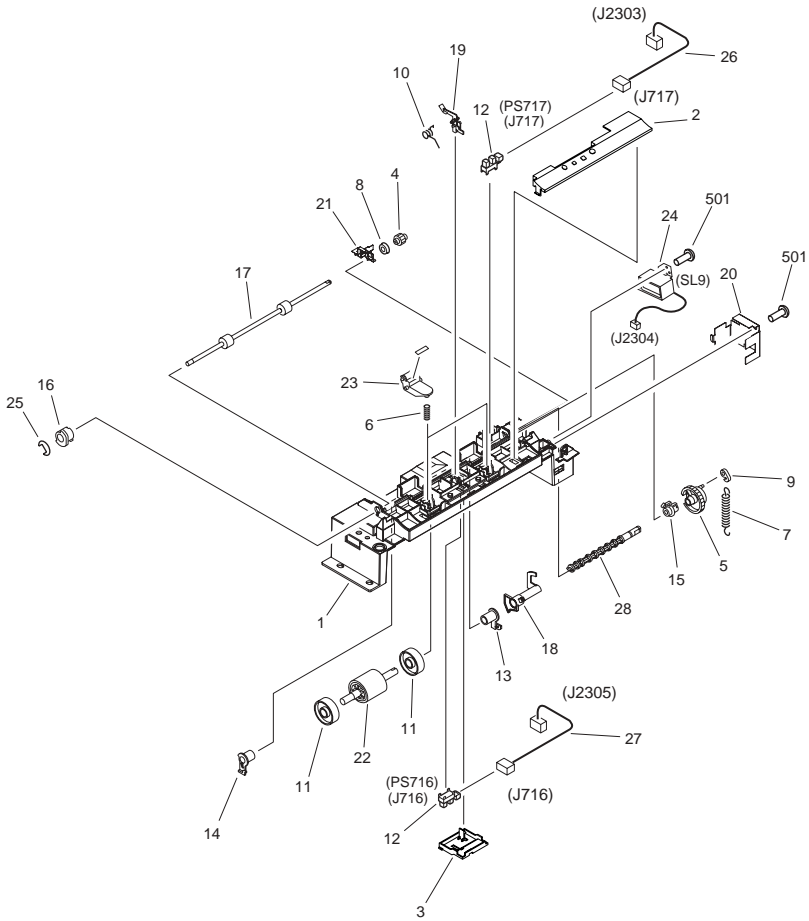


FIGURE & KEY NO.	PARTS NUMBER	R A N K	Q'TY	DESCRIPTION	SERIAL NUMBER/ REMARKS	S V C
Fig.310	NPN		RF	CASSETTE CENTER FRAME ASS'Y	LBP5200 100V	
1	RB3-0105-000		1	COVER, CASSETTE, CENTER		
2	RB3-0165-000		1	COVER, CENTER FRAME, 1		
3	RB3-0166-000		2	COVER, CENTER FRAME, 2		
4	RS7-0431-000		1	GEAR, 15T		
5	RS7-0430-000		1	GEAR, 26T		
6	RS6-2760-000		2	SPRING, COMPRESSION		
7	RS6-2025-000		1	SPRING, TENSION		
8	RS5-1636-000		1	BUSHING		
9	RB1-2190-000		1	COLLAR, SPRING		
10	RB9-0843-000		1	SPRING, TORSION		
11	RB2-2892-000		2	ROLLER		
12	WG8-5593-000		2	PHOTO-INTERRUPTER, TLP1242	PS716, J716, PS717, J717	
13	RB9-0834-000		1	BUSHING		
14	RB9-0835-000		1	BUSHING		
15	RB2-2897-020		1	BUSHING		
16	RS5-1638-000		1	BUSHING		
17	RB3-0129-000		1	ROLLER, M		
18	RB3-0130-000		1	FLAG, PAPER SET SENSOR		
19	RB3-0132-000		1	FLAG, PAPER PICK-UP SENSOR		
20	RB3-0136-000		1	COVER, CASSETTE GAUSS PROOF		
21	RB3-0137-000		1	PLATE, ROLLER GROUNDING		
22	RB3-0161-000		1	ROLLER, PAPER PICK-UP		
23	RF5-4035-000		2	ARM, ROLLER PRESSURE		
24	RH7-5385-000		1	SOLENOID	SL9, J2304	
25	XD9-0233-000		1	RING, E		
26	RG5-7139-000		1	PAPER PICK-UP CANLE	J717, J2303	
27	RG5-7138-000		1	CABLE, PAPER SENSOR	J716, J2305	
501	XB4-7401-005		2	SCREW, TAPPING, TRUSS HEAD, M4X10		
28	RB2-2893-000		1	SHAFT, DRIVE		

# FIGURE 311 RIGHT COVER ASS'Y

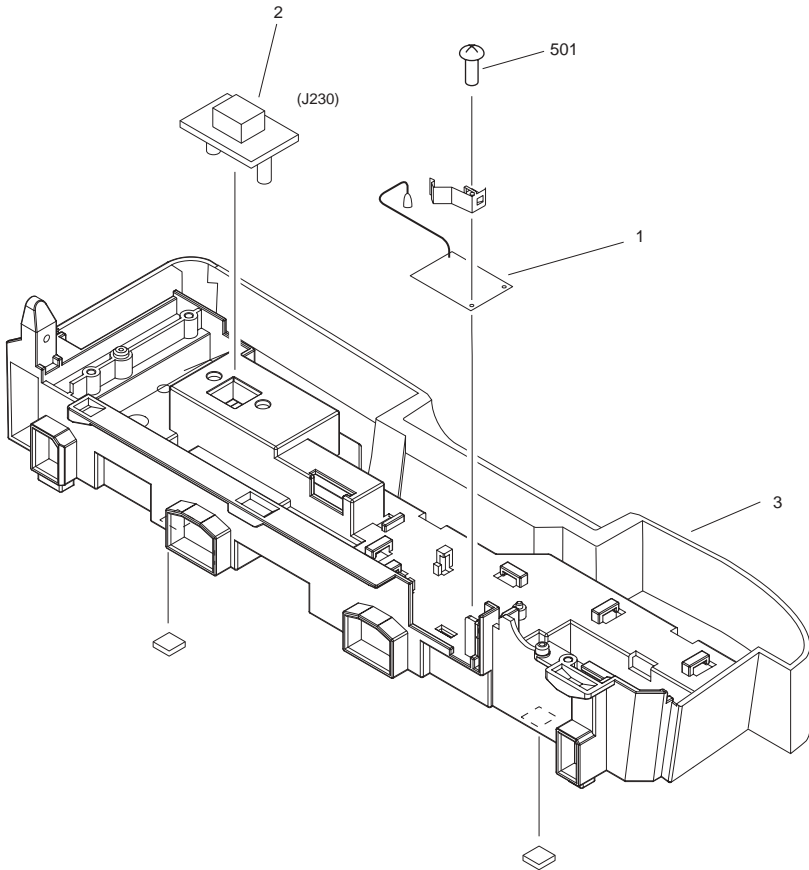


FIGURE & KEY NO.	PARTS NUMBER	RANK	Q'TY	DESCRIPTION	SERIAL NUMBER/REMARKS	SVC
Fig.311	RG5-7829-000		1	RIGHT COVER ASS'Y	LBP5200 100V	
1	RG5-7617-000		1	250 PAPER FEED DRIVE PCB ASS'Y		
2	WS1-6337-000		1	CONNECTOR, DRAWER	J230	
3	RB3-1383-000		1	FRAME, 250 CST. PICK-UP, RIGHT		
501	XB4-7401-005		1	SCREW,TAPPING,TRUSS HEAD,M4X10		



FIGURE 530  
ROTARY ASS'Y

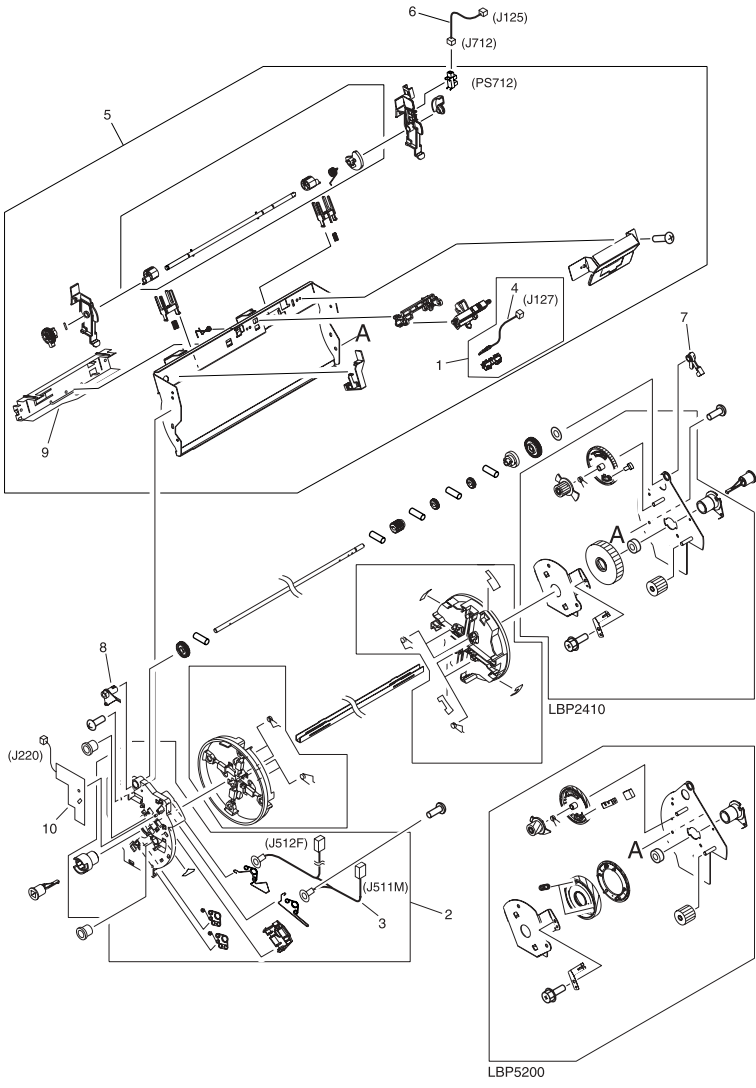


FIGURE & KEY NO.	PARTS NUMBER	RANK	Q'TY	DESCRIPTION	SERIAL NUMBER/REMARKS	SVC
Fig.530	RG5-7587-000		1	ROTARY ASS'Y		
1	RG5-7132-000		1	TAG CONTACT ASS'Y		
2	RG5-6942-030		1	ROTARY LEFT SIDE PLATE ASS'Y		
3	RG5-7129-000		1	DEV. ROTARY CABLE	J511M, J512F	
4	RG5-7663-000		1	ROTARY TAG CABLE	J127	
5	RG5-7589-000		1	ROTARY PRESSURE ASS'Y		
6	RG5-7117-000		1	SENSOR, CABLE	J125, J712	
7	RB9-0879-000		1	BUSHING		
8	RB2-9809-000		1	BUSHING		
9	RB2-9853-000		1	PLATE, REINFORCEMENT		
10	RG5-7609-000		1	TONER SENSOR PCB ASS'Y	J220	

# FIGURE 810 FIXING ASS'Y(LBP2410)

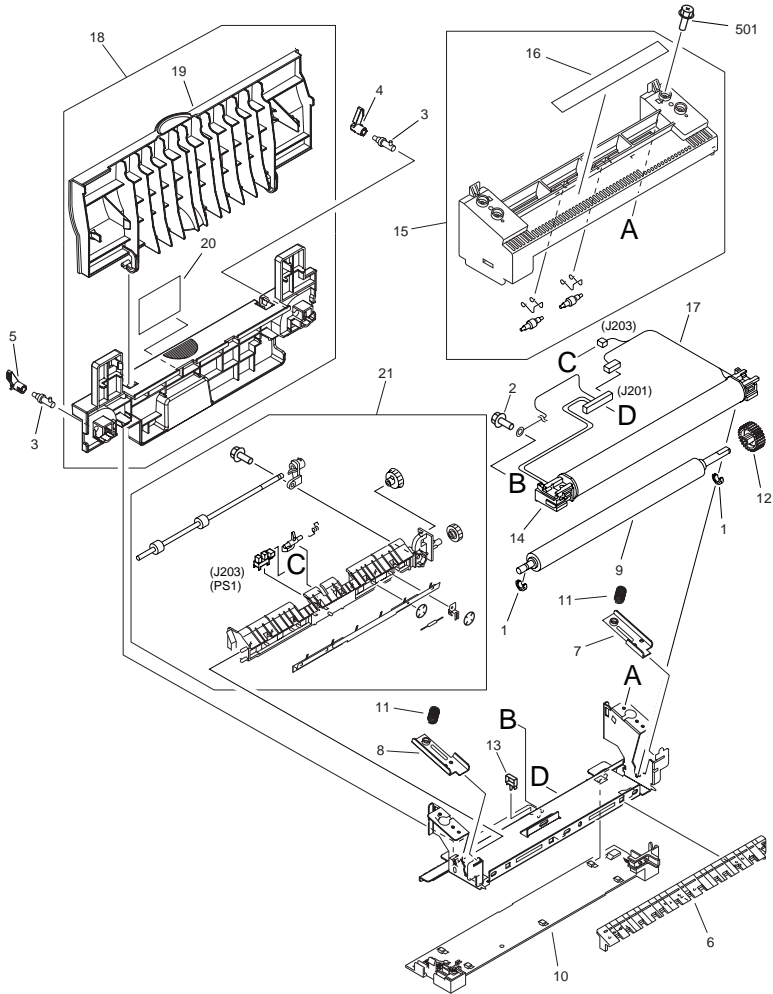


FIGURE & KEY NO.	PARTS NUMBER	R A N K	Q'TY	DESCRIPTION	SERIAL NUMBER/ REMARKS	S V C
Fig.810	RG5-7413-000		1	FIXING ASS'Y(LBP2410)	100V	
Fig.810	RG5-7423-100		1	FIXING ASS'Y(LBP2410)	120V	
Fig.810	RG5-7424-000		1	FIXING ASS'Y(LBP2410)	220V	
1	RB3-2973-000		2	BUSHING		
2	XA9-1449-000		2	SCREW, RS, M3X8		
3	RB2-4933-000		2	SHAFT, LEVER		
4	RB3-0178-000		1	LEVER, LOCK RELEASE, RIGHT		
5	RB3-0179-000		1	LEVER, LOCK RELEASE, LEFT		
6	RB3-0180-000		1	GUIDE, PAPER INLET		
7	RB3-0186-000		1	PLATE, PRESSURE		
8	RB3-0190-000		1	PLATE, PRESSURE		
9	RB3-0191-000		1	ROLLER, PRESSURE		
10	RF5-4008-000		1	BASE PLATE, FIXING		
11	RS6-2756-000		2	SPRING, COMPRESSION		
12	RS7-0432-000		1	GEAR, 27T		
13	WT2-5700-000		1	CLAMP, CABLE		
14	RG5-7431-000		1	FIXING FILM ASS'Y	100V J201, J203	
14	RG5-6928-000		1	FIXING FILM ASS'Y	120V J201, J203	
14	RM1-3524-000		1	FIXING FILM ASS'Y	220V J201, J203	
15	RG5-6929-000		1	SEPARATION UPPER GUIDE ASS'Y		
16	RS6-8657-000		1	LABEL, 'CAUTION, HIGH TEMP.'		
17	RG5-7110-000		1	CABLE, FIXING DC	J201, J203	
18	RG5-7422-000		1	FACE-UP COVER ASS'Y		
19	RB3-0847-000		1	COVER, FACE-UP, UPPER		
20	RS6-8673-000		1	LABEL, FIXING INSTRUCTION		
21	RG5-6930-000		1	SEPARATION LOWER GUIDE ASS'Y		

# FIGURE 810A FIXING ASS'Y(LBP5200)

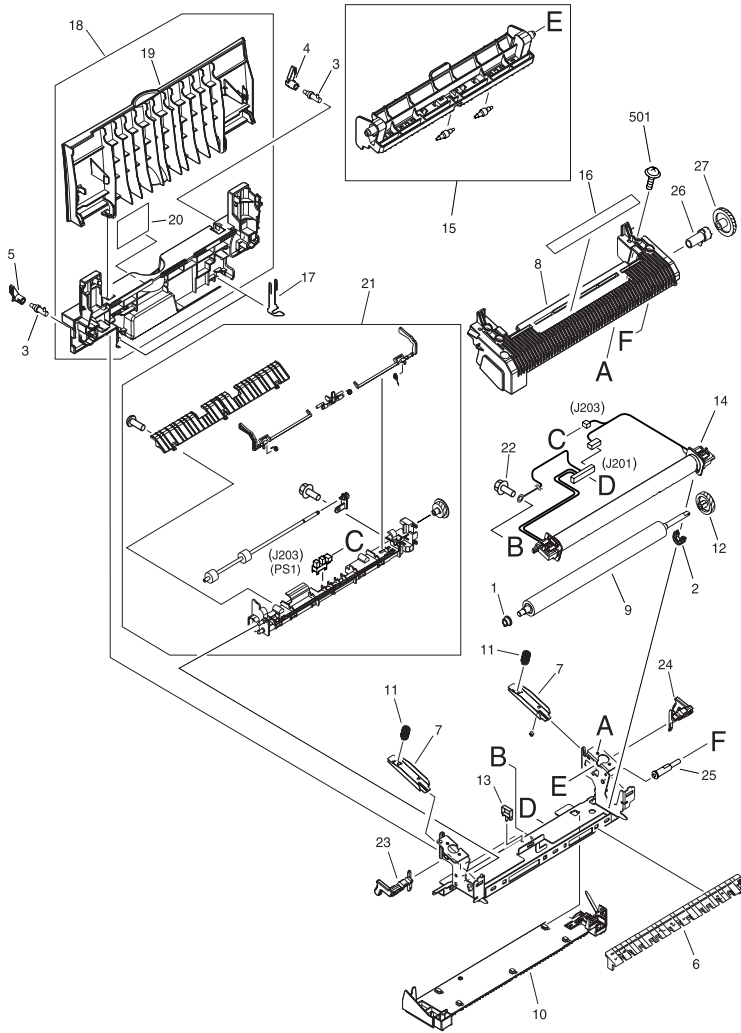


FIGURE & KEY NO.	PARTS NUMBER	R A N K	Q'TY	DESCRIPTION	SERIAL NUMBER/ REMARKS	S V C
Fig.810A	RG5-7440-000		1	FIXING ASS'Y(LBP5200)	100V	
Fig.810A	RG5-7441-000		1	FIXING ASS'Y(LBP5200)	120V	
Fig.810A	RG5-7442-000		1	FIXING ASS'Y(LBP5200)	220V	
1	RB3-1026-000		1	BUSHING		
2	RB3-1027-000		1	BUSHING		
3	RB2-4933-000		2	SHAFT, LEVER		
4	RB3-0178-000		1	LEVER, LOCK RELEASE, RIGHT		
5	RB3-0179-000		1	LEVER, LOCK RELEASE, LEFT		
6	RB3-0180-000		1	GUIDE, PAPER INLET		
7	RB3-1024-000		2	PLATE, PRESSURE		
8	RB3-1032-000		1	COVER, FIXING, UPPER		
9	RB3-1034-000		1	ROLLER, PRESSURE		
10	RF5-4060-000		1	BASE PLATE, FIXING		
11	RB3-1025-000		2	SPRING, COMPRESSION		
12	RS7-0580-000		1	GEAR, 30T		
13	WT2-5700-000		1	CLAMP, CABLE		
14	RG5-7832-000		1	FIXING FILM ASS'Y	100V J201, J203	
14	RG5-7574-000		1	FIXING FILM ASS'Y	120V J201, J203	
14	RG5-7575-000		1	FIXING FILM ASS'Y	220V J201, J203	
15	RG5-7576-000		1	SEPARATION UPPER GUIDE ASS'Y		
16	RU5-8125-000		1	LABEL, 'CAUTION, HIGH TEMP.'		
17	RB3-1042-000		2	SPRING, GROUNDING		
18	RG5-7825-000		1	FACE-UP COVER ASS'Y		
19	RB3-0878-000		1	COVER, FACE-UP, UPPER		
20	RS6-8673-000		1	LABEL, FIXING INSTRUCTION		
21	RG5-7577-000		1	SEPARATION LOWER GUIDE ASS'Y		
22	XA9-1449-000		2	SCREW, RS, M3X8		
23	RB3-1030-000		1	LEVER, PRESSURE RELEASE, RIGHT		
24	RB3-1031-000		1	LEVER, PRESSURE RELEASE, LEFT		
25	RB3-1028-000		1	SHAFT, PAPER DELIVERY IDLE		
26	RB3-1029-000		1	HOLDER, DELIV. IDLE GEAR SHAFT		
27	RS7-0582-000		1	GEAR, 28T		

FIGURE & KEY NO.	PARTS NUMBER	R A N K	Q'TY	DESCRIPTION	SERIAL NUMBER/ REMARKS	S V C
501	XB6-7300-807		4	SCREW, TP, M3X8		





Prepared by  
OIP HFE Promotion Center  
CANON INC.

**Canon**