

---

# 7 Parts and diagrams

This chapter contains information about ordering parts, supplies, and accessories. It includes diagrams of the major subassemblies of the MFP and includes the part numbers for replaceable parts.

- [Introduction](#)
- [Ordering parts and supplies](#)
- [Assembly locations](#)
- [External covers and panels](#)
- [Internal components](#)
- [ADF components](#)
- [Scanner components](#)
- [2 X 500-sheet feeder components](#)
- [Optional devices](#)
- [Alphabetical parts list](#)
- [Numerical parts list](#)

# Introduction

The figures in this chapter illustrate the major field replaceable unit (FRU) assemblies and subassemblies in the MFP. A table (parts number list) follows each assembly diagram. The tables list a reference number for each specific part, the part number, and a brief description of the part.



---

**NOTE:** In this manual, the abbreviation "PCB" stands for "printed circuit board." Components described as a PCB may consist of a single circuit board or a circuit board plus other parts, such as cables and sensors.

**NOTE:** Parts that do not have a reference number or part number are not FRUs, and cannot be ordered as individual replacement parts. However, all serviceable parts should be available as part of a larger operable subassembly.

The following lists of supplies and accessories were current at the time of printing. Availability of accessories might change during the life of the MFP.

---



**CAUTION:** When looking for an electrical part, pay careful attention to the voltage that is listed in the part description column to ensure that the component part number that you select is for the correct MFP model.

---

# Ordering parts and supplies

## Parts that wear


The parts on the product that need replacement at regular intervals are listed in [Approximate replacement intervals for supplies on page 112](#). Parts are available directly from HP at the following Web site: <http://www.hp.com/buy/parts>.

## Parts

Order replacement parts from the following Web site: <http://www.hp.com/go/HPparts>.

## Customer support

Product documentation and software support can be found at the Web sites listed in the table below.

<b>HP Connect Online</b> (for HP partners)	Go to <a href="http://www.connect-online.hp.com">http://www.connect-online.hp.com</a>
<b>HP Customer Care Call Centers</b> Information about contacting HP call centers in specific countries/regions.	Go to <a href="http://www.hp.com/support/callcenters">http://www.hp.com/support/callcenters</a>
<b>HP Online Technical Support</b> (for HP partners) Software drivers, support documentation, and answers to frequently asked questions	Go to <a href="http://www.hp.com/support">http://www.hp.com/support</a>
<b>HP Technical Training (North America)</b> Classes and schedules	Go to <a href="http://www.compaq.com/training">http://www.compaq.com/training</a>  <b>NOTE:</b> Select your country/region in the "select a country or region" field at the top, right corner of the page.
<b>HP Parts</b> Parts information	Go to <a href="http://www.partsurfer.hp.com">http://www.partsurfer.hp.com</a> (parts ordering) Go to <a href="http://www.hp.com/go/HPparts">http://www.hp.com/go/HPparts</a> (parts reference guide)

## Supplies and accessories

Use the following table to order supplies and accessories for the product.

**Table 7-1 Supplies and accessories**

Product number	Part number	Description
<b>Accessories</b>		
J7960A	J7960-61011	HP Jetdirect 625n Gigabit Ethernet (10/100/1000Base-T) print server (EIO card)
Q5692A	Q5692-67901	3-bin mailbox
Q5691A	Q5691-67901	Stapler/stacker

**Table 7-1 Supplies and accessories (continued)**

Product number	Part number	Description
Q3701A	CB480-69001	HP LaserJet analog fax accessory 300
<b>Cables</b>		
C2946A		IEEE-1284 compliant parallel cable, 3 meters (approximately 10 feet) long, with 25-pin male/micro 36-pin male (c-type) connector
92215S		Macintosh DIN-8 printer cable
92215N		HP LocalTalk cable kit
	8121-0539	2-meter USB cable
	8121-0549	2-foot USB cable
<b>Media</b>		
C2934A		HP Color LaserJet Transparencies (letter) 50 sheets
C2936A		HP Color LaserJet Transparencies (A4) 50 sheets
C4179A		HP LaserJet Soft Gloss paper (letter) 200 sheets
C4179B		HP LaserJet Soft Gloss paper (A4) 200 sheets
Q1298A		HP LaserJet Tough paper (letter)
Q1298B		HP LaserJet Tough paper (A4)
HPU1132		HP Premium Choice LaserJet paper (letter)
CHP410		HP Premium Choice LaserJet paper (A4)
HPJ1124		HP LaserJet paper (letter)
CHP310		HP LaserJet paper (A4)
<b>Memory</b>		
Q7517A	Q7517-67907	Printer hard drive
Q7721A	Q7721-67951	200-pin DDR memory DIMM (dual inline memory module), 128 MB
Q7722A	Q7722-67951	200-pin DDR memory DIMM, 256 MB
Q7723A	Q7723-67951	200-pin DDR memory DIMM, 512 MB
CC501AA	CC501-67907	Firmware Compact flash
<b>Control panel and labels</b>		
	CB480-60126	Control panel
	CB480-60102	English label
	CB480-60103	French label
	CB480-60104	Italian label
	CB480-60105	German label
	CB480-60106	Spanish (MAS) label
	CB480-60107	Dutch label



**Table 7-1 Supplies and accessories (continued)**

<b>Product number</b>	<b>Part number</b>	<b>Description</b>
	CB480-60108	Portuguese (Brazilian) label
	CB480-60109	Norwegian label
	CB480-60110	Swedish label
	CB480-60111	Finnish label
	CB480-60112	Danish label
	CB480-60113	Polish label
	CB480-60114	Russian label
	CB480-60115	Czech label
	CB480-60116	Hungarian label
	CB480-60117	Traditional Chinese label
	CB480-60118	Simplified Chinese label
	CB480-60119	Korean label
	CB480-60120	Japanese label
	CB480-60121	Turkish label
	CB480-60122	Hebrew label
	CB480-60123	Greek label
	CB480-60124	Arabic label
	CB480-60125	Thai label
	CB480-60129	Croatian label
	CB480-60130	Romanian label
	CB480-60131	Slovak label
	CB480-60132	Slovenian label
<b>Reference materials</b>		
	5963-7863	<i>HP LaserJet Printer Family Paper Specifications Guide</i>
	5021-0330	PCL/PJL Technical Reference Package
	CB480-91008	HP Color LaserJet CM4730 series printer service manual
	Q7517-60127	HP Color LaserJet CM4730 MFP series software CD, Americas
	Q7517-60128	HP Color LaserJet CM4730 MFP series software CD, Western Europe
	Q7517-60129	HP Color LaserJet CM4730 MFP series software CD, Northern Europe
	Q7517-60130	HP Color LaserJet CM4730 MFP series software CD, Eastern Europe

**Table 7-1 Supplies and accessories (continued)**

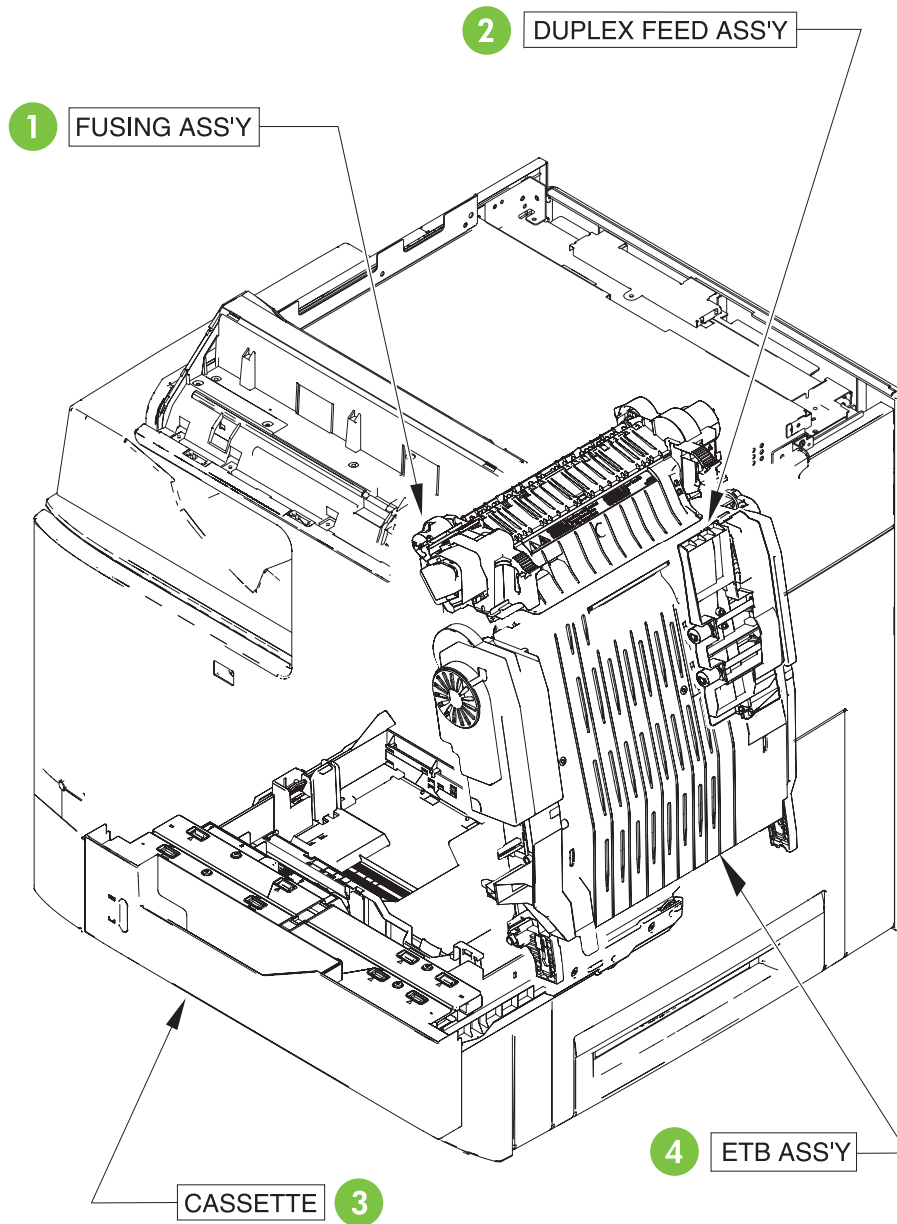
Product number	Part number	Description
	Q7517-60131	HP Color LaserJet CM4730 MFP series software CD, Asia
	MKTNG-00473	Customer in-box training CD, English only
	CB480-60133	Service and support training CD
	MKTNG-00472	HP Digital Sending Software CD (trial version)
<b>Supplies</b>		
Q6460A	Q6460-67901	Black print cartridge
Q6461A	Q6461-67901	Cyan print cartridge
Q6462A	Q6462-67901	Yellow print cartridge
Q6463A	Q6463-67901	Magenta print cartridge
Q8091A	C8085-60541	5,000-staple cartridge
<b>Replacement kits</b>		
Q7504A	RM1-3161-000CN	Image transfer (ETB) kit
Q7502A	RM1-3131-000CN	Image fuser kit (110 volt)
Q7503A	RM1-3146-000CN	Image fuser kit (220 volt)
Q3999A	Q7517-69004 (exchange) Q7517-67909 (new)	Formatter
	Q7517-67904	MP pickup rollers
	CB480-67904	MP pickup unit replacement
Q5997A	Q5997-67901	ADF maintenance kit
Q6496A	Q6496-67901	ADF mylar replacement kit
	Q7517-67905	Cassette pickup roller replacement kit
	Q7491-67905	Formatter pressure release tab kit
	CB480-67901	Control panel replacement



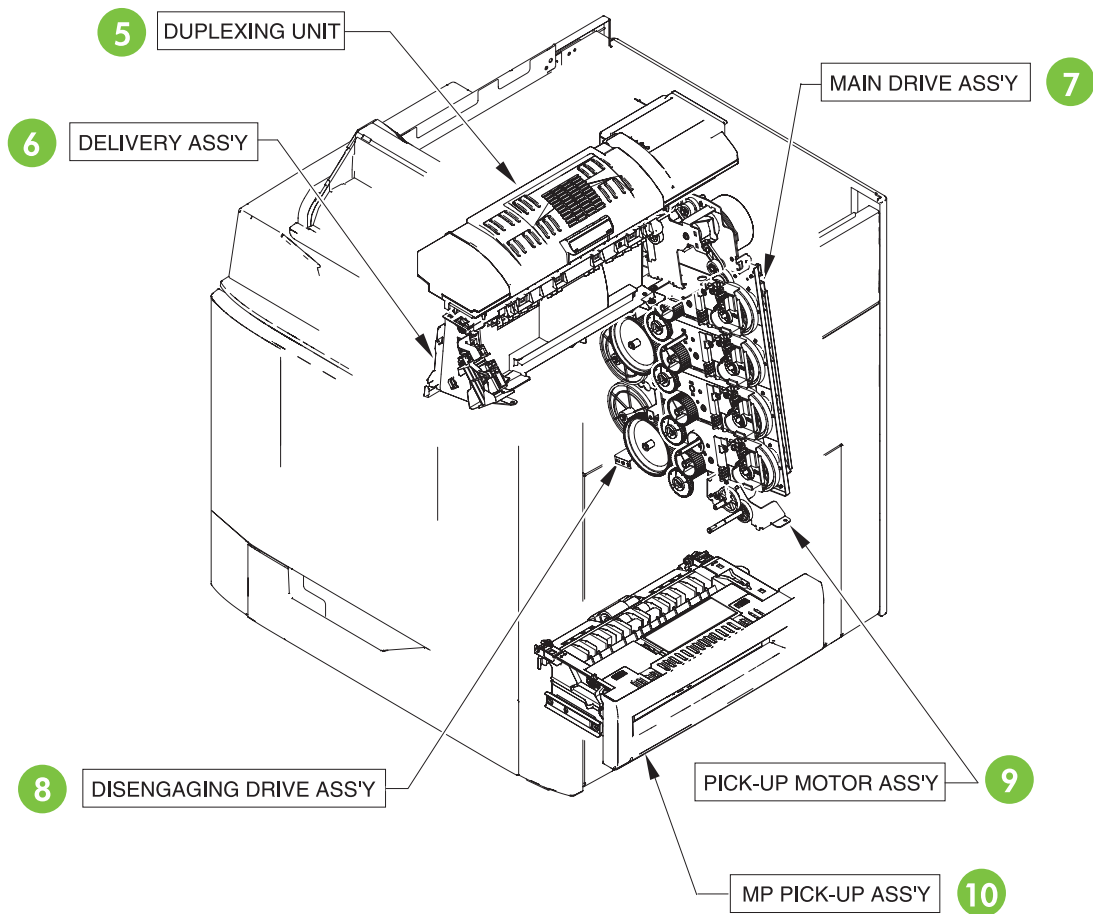
# Assembly locations

The following illustrations and parts tables list the field replaceable units (FRU) for the HP Color LaserJet CM4730 MFP series. The end of this chapter contains an alphabetical and numerical master parts list.

## Major components



**Figure 7-1** HP Color LaserJet CM4730 MFP major components (1 of 2)



**Figure 7-2** HP Color LaserJet CM4730 MFP major components (2 of 2)

**Table 7-2 Major components**

Reference number	Description	Details
1	Fuser assembly	See <a href="#">Figure 7-29 Fuser assembly on page 726</a> .
2	Duplex feed assembly	See <a href="#">Figure 7-28 Duplex feed assembly on page 724</a> .
3	Cassette	See <a href="#">Figure 7-21 Cassette on page 710</a> .
4	ETB assembly	See <a href="#">Figure 7-23 ETB assembly on page 714</a> .
5	Duplexing unit	See <a href="#">Figure 7-26 Duplexing unit (1 of 2) on page 720</a> and <a href="#">Figure 7-27 Duplexing unit (2 of 2) on page 722</a> .
6	Delivery assembly	See <a href="#">Figure 7-24 Delivery assembly on page 716</a> .
7	Main drive assembly	See <a href="#">Internal components on page 686</a> .
8	Disengaging drive assembly	See <a href="#">Figure 7-19 Disengaging drive assembly on page 706</a> .

**Table 7-2 Major components (continued)**

Reference number	Description	Details
9	pickup motor assembly	See <a href="#">Figure 7-18 Pickup motor assembly on page 704</a> .
10	Multipurpose pickup assembly	See <a href="#">Figure 7-22 Multipurpose pickup assembly on page 712</a> .



## External covers and panels

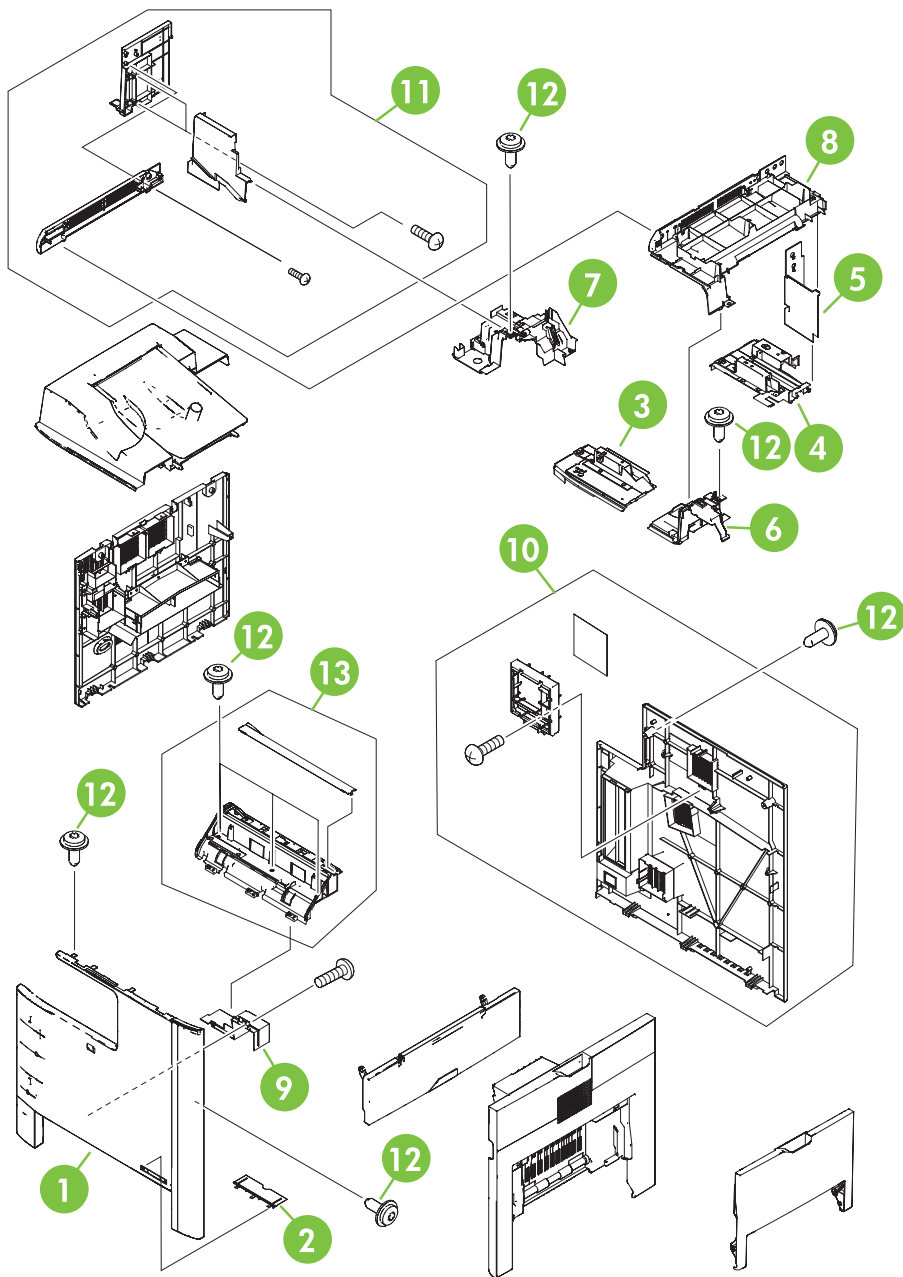
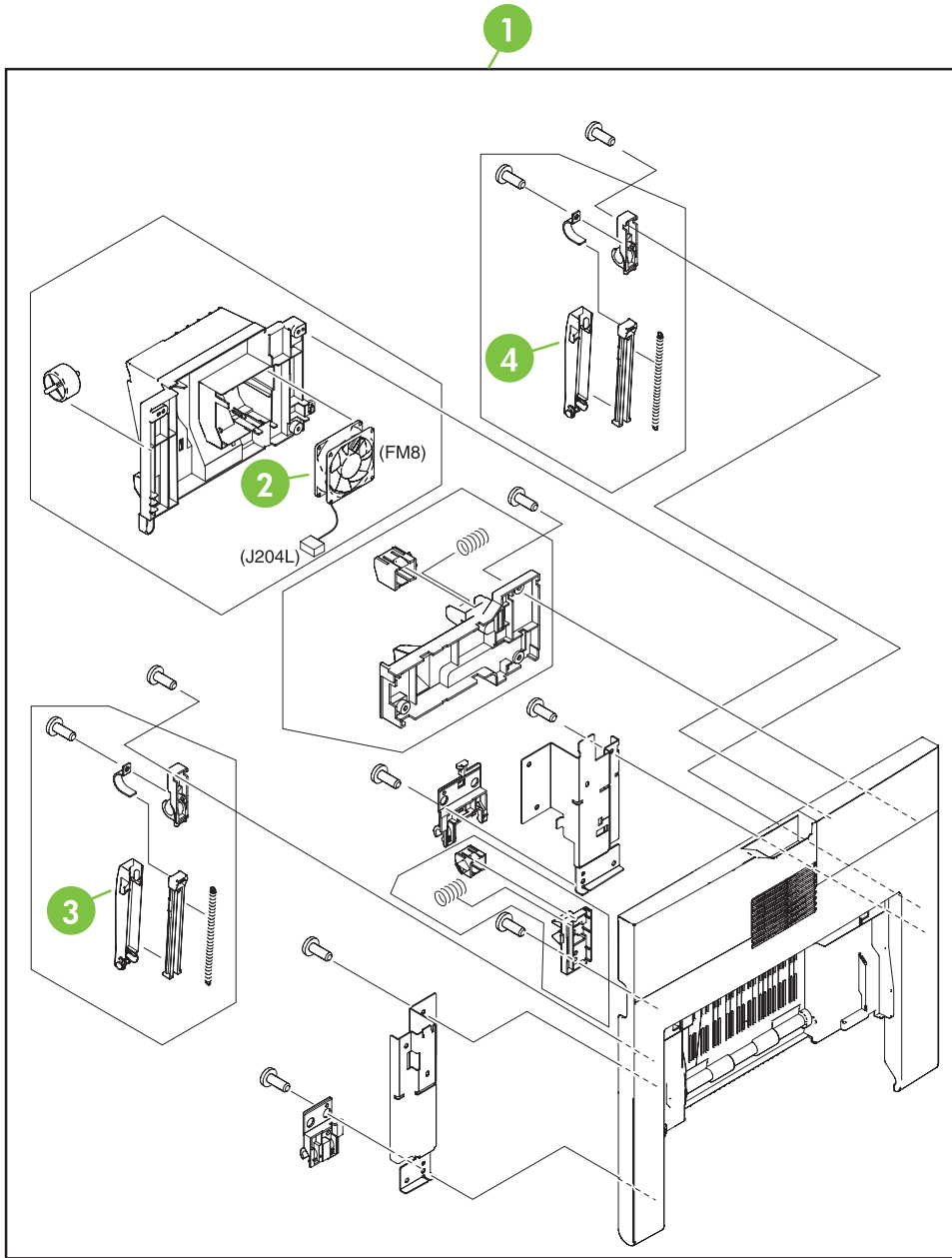


Figure 7-3 External covers and panels



**Table 7-3 External covers and panels**

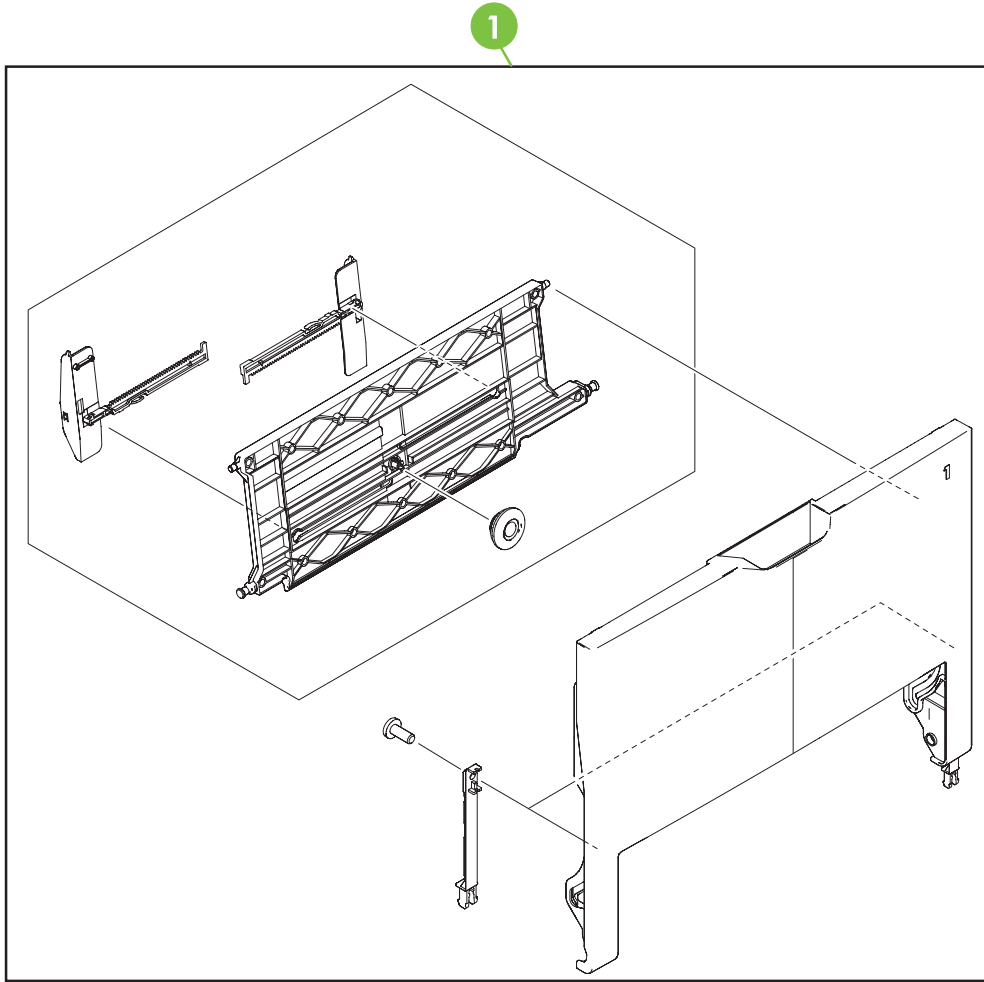
Ref	Description	Part number	Qty
1	Front cover	RC1-5694-000CN	1
2	Front cover plate	RC1-5695-000CN	1
3	Face-down front guide	RC1-5865-000CN	1
4	Face-down rear guide	RC1-5866-000CN	1
5	Inner rear cover	RC1-5873-000CN	1
6	Inner top cover	RC1-5877-000CN	1
7	Inner top, rear cover	RC1-5878-000CN	1
8	Paper delivery upper cover	RC1-5880-000CN	1
9	Front cover plate	RC1-5696-000CN	1
10	Rear cover assembly	RM1-2118-000CN	1
11	Paper delivery cover assembly	RM1-2179-000CN	1
12	Screw, RS M3X8	XA9-1504-000CN	12
13	Operation panel holder assembly	RM1-2117-000CN	1



**Figure 7-4** Right lower cover assembly

**Table 7-4 Right lower cover assembly**

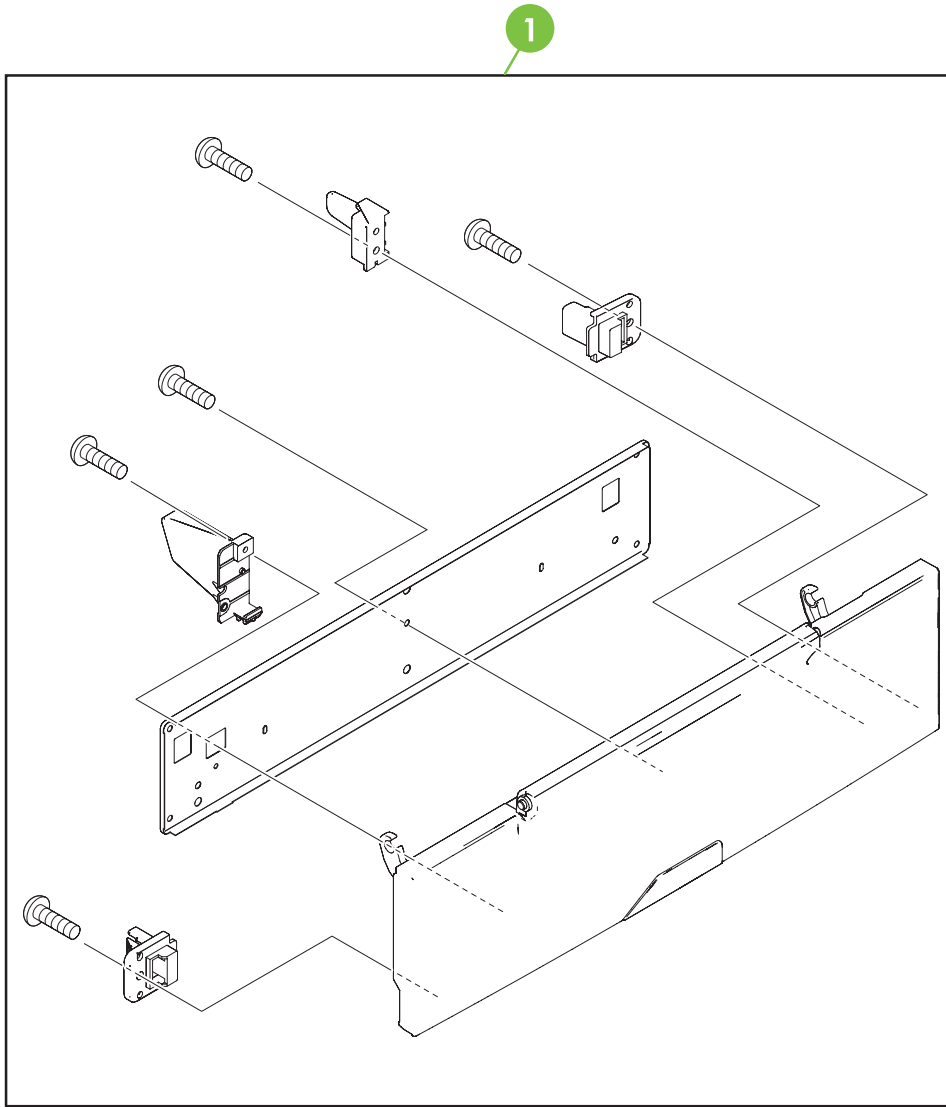
Ref	Description	Part number	Qty
1	Right lower cover assembly	RM1-2105-000CN	1
2	Fan	RK2-0622-000CN	1
3	Cover arm	RC1-4846-000CN	1
4	Cover arm	RC1-4864-000CN	1



**Figure 7-5** Multipurpose tray assembly

**Table 7-5 Multipurpose tray assembly**

Ref	Description	Part number	Qty
1	Multipurpose tray assembly	RM1-2109-000CN	1



**Figure 7-6** Right upper door assembly

**Table 7-6 Right upper door assembly**

Ref	Description	Part number	Qty
1	Right upper door assembly	RM1-2111-000CN	1

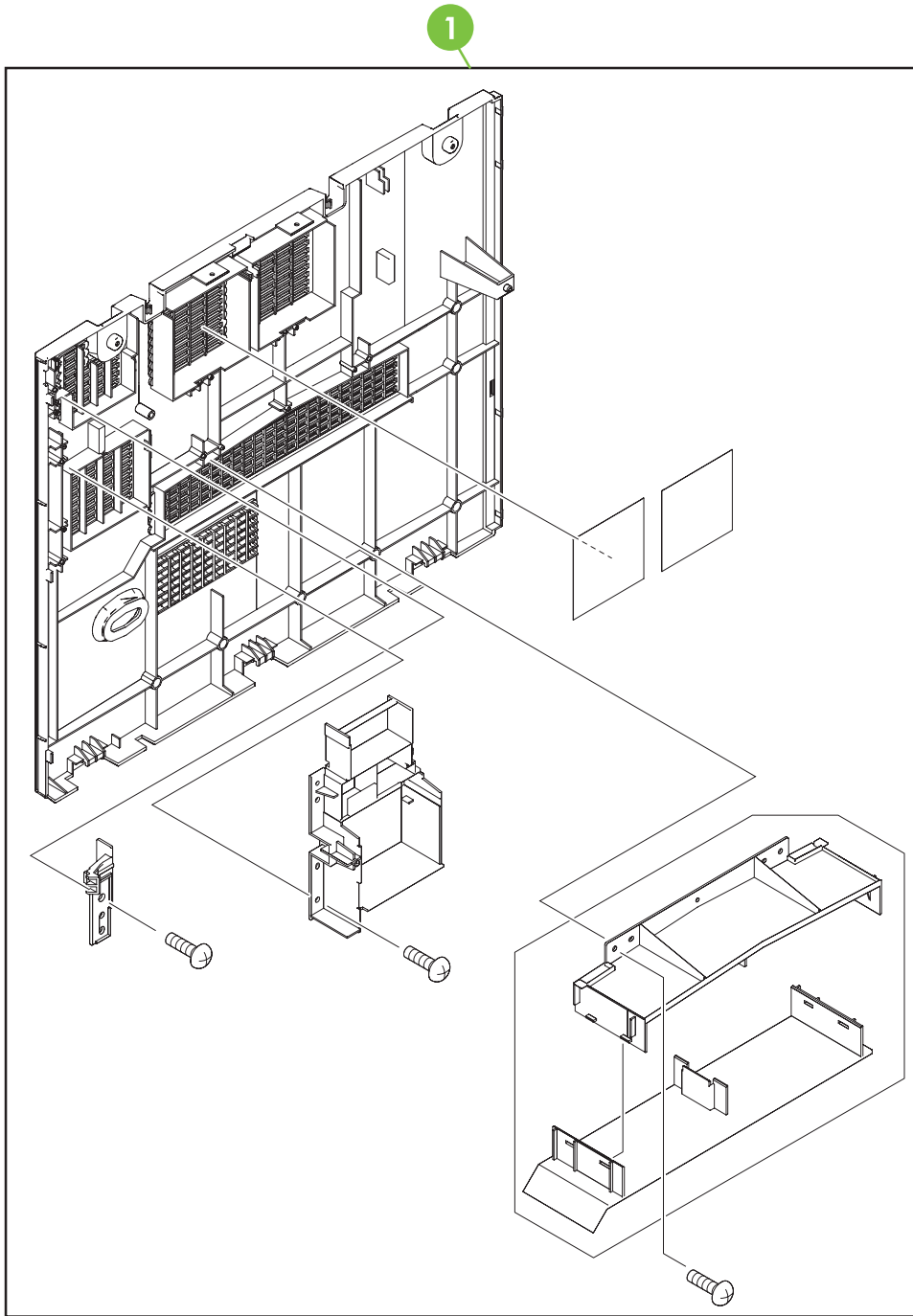
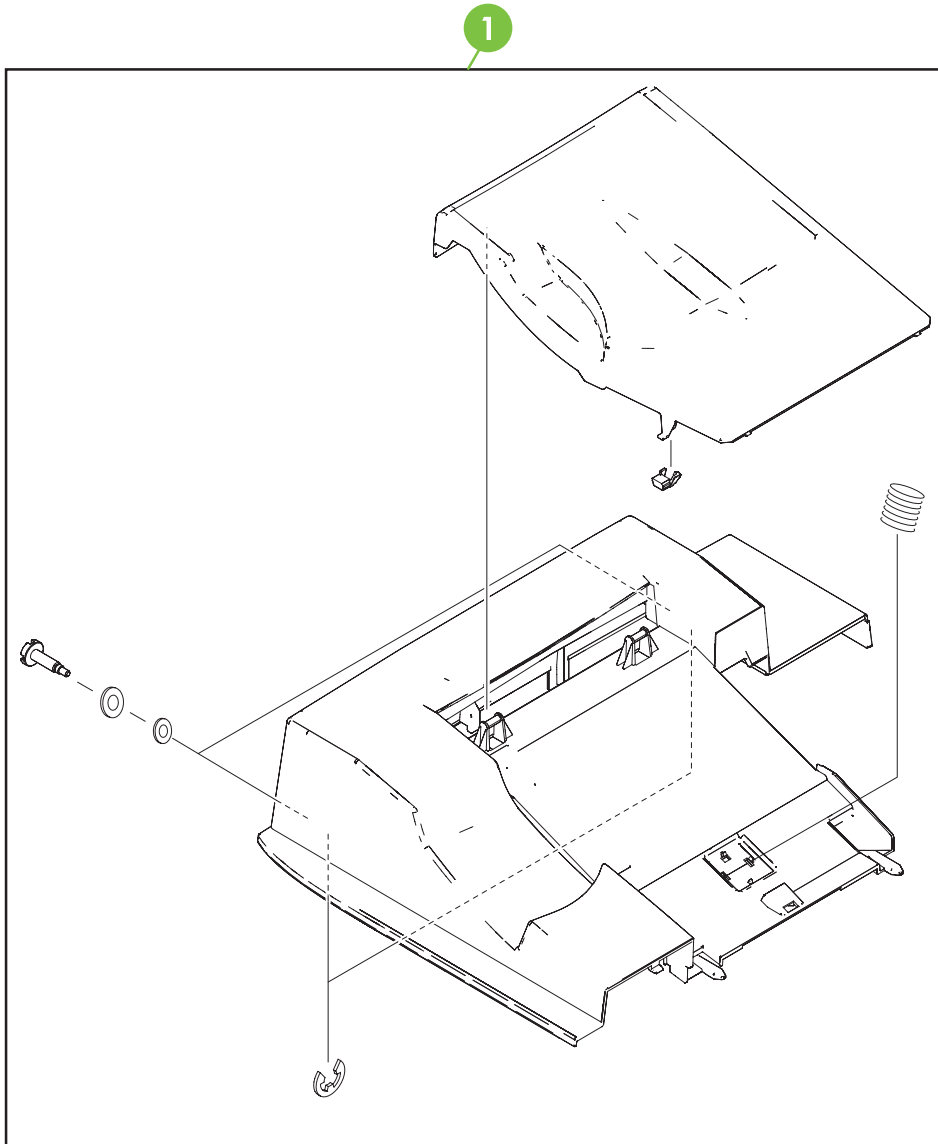


Figure 7-7 Left cover assembly



**Table 7-7 Left cover assembly**

Ref	Description	Part number	Qty
	Left cover assembly	RM1-2115-000CN	1



**Figure 7-8** Face-down tray assembly

**Table 7-8 Face-down tray assembly**

Ref	Description	Part number	Qty
	Face-down tray assembly	RM1-2180-000CN	1

# Internal components

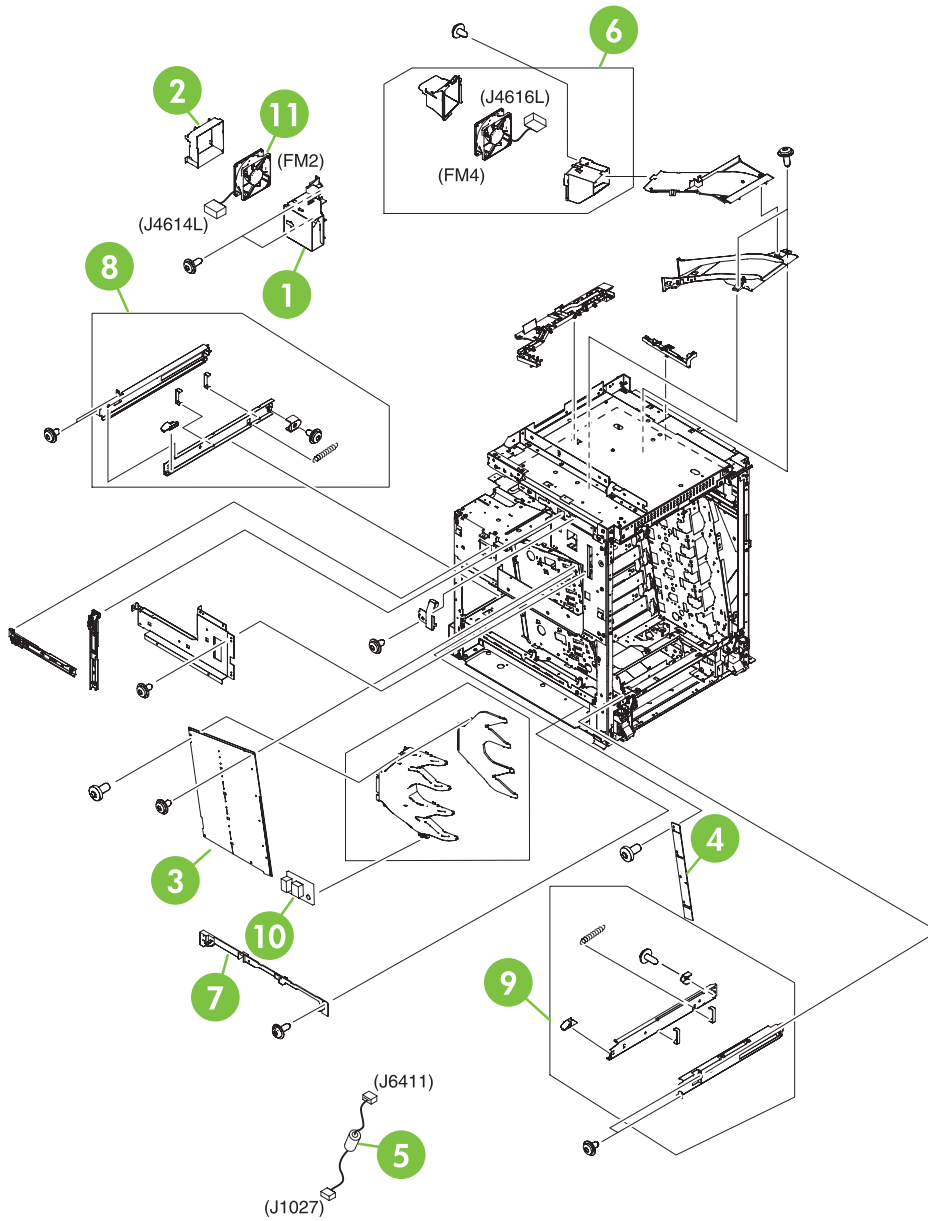
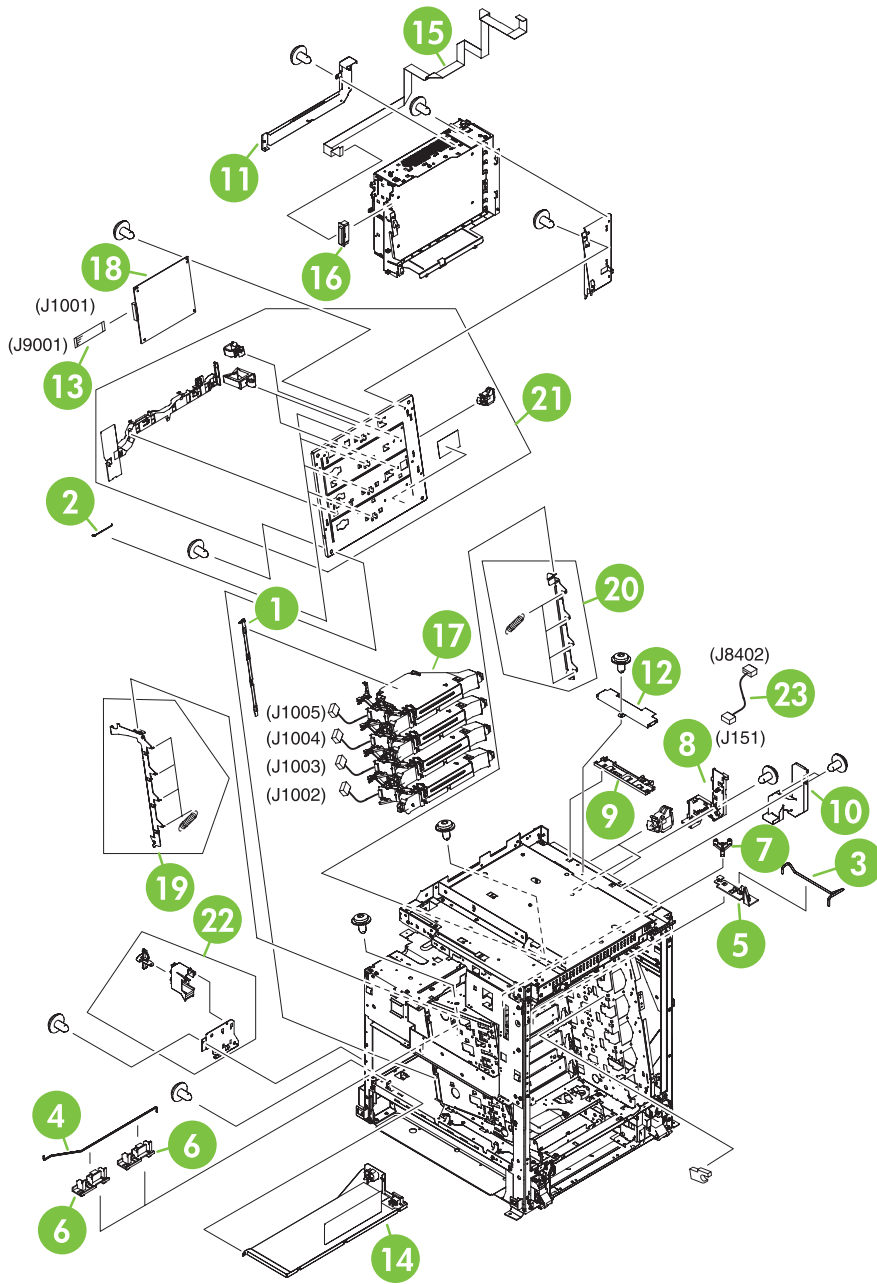


Figure 7-9 Internal components (1 of 8)

**Table 7-9 Internal components (1 of 8)**

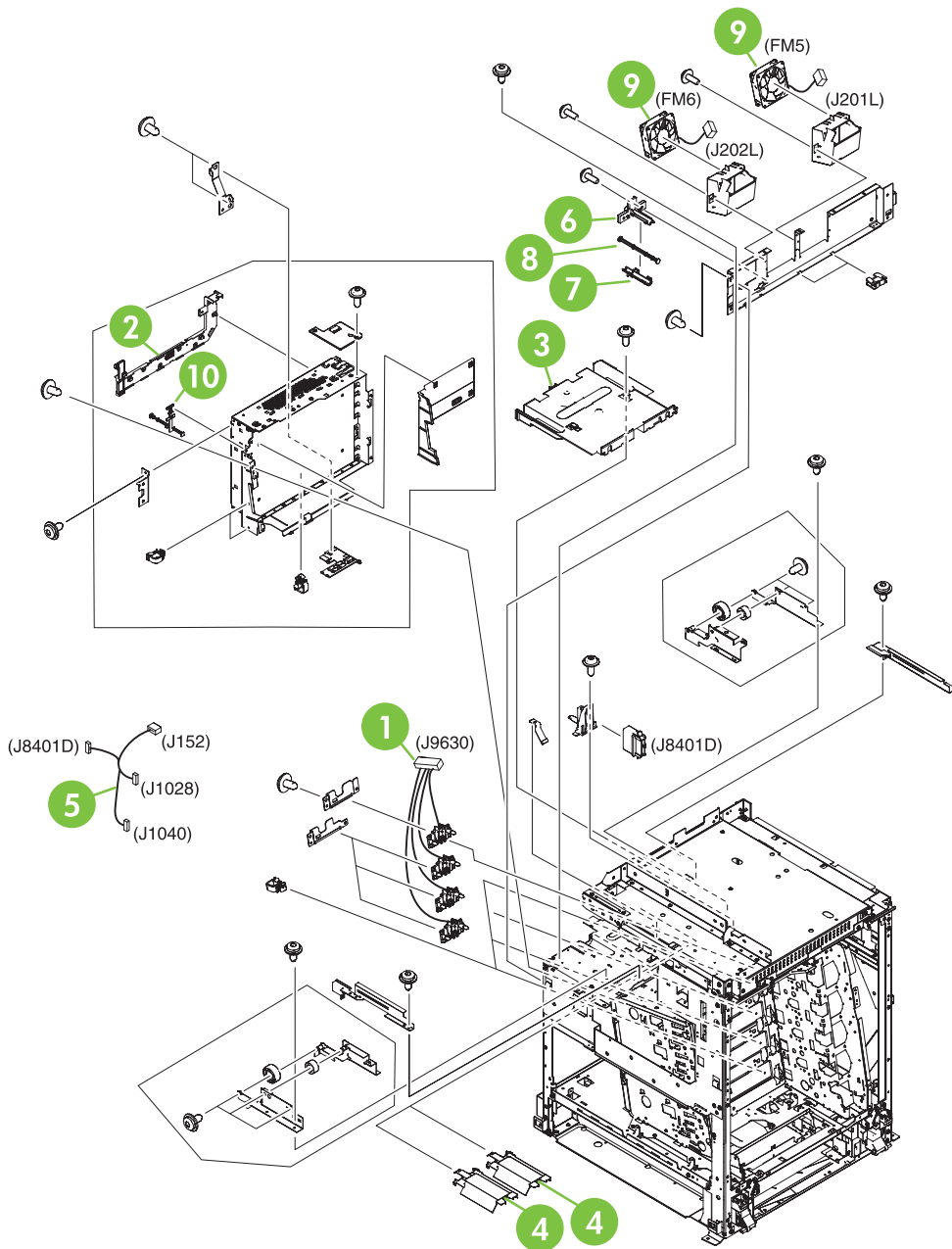
Ref	Description	Part number	Qty
1	Fan holder	RC1-4314-000CN	1
2	Fan duct	RC1-5711-000CN	1
3	High-voltage power supply PCB	RM1-1608-000CN	1
4	Toner sensor PCB assembly	RM1-1609-000CN	1
5	Control panel cable assembly	RM1-2354-000CN	1
6	Fan assembly	RM1-2178-000CN	1
7	Inner front cover	RC1-5988-000CN	1
8	Left rail assembly	RM1-2227-000CN	1
9	Right rail assembly	RM1-2228-000CN	1
10	Humidity sensor unit	WP2-5187-000CN	1
11	Fan	RK2-0623-000CN	1



**Figure 7-10** Internal components (2 of 8)

**Table 7-10 Internal components (2 of 8)**

Ref	Description	Part number	Qty
1	Scanner support	RC1-4312-000CN	1
2	Scanner support spring	RC1-4313-000CN	4
3	Switching arm	RC1-5646-000CN	1
4	Switching arm	RC1-5647-000CN	1
5	Switching arm guide	RC1-5648-000CN	2
6	Switching arm guide	RC1-5649-000CN	1
7	Switching arm link	RC1-5650-000CN	1
8	Cable holder	RC1-5771-000CN	1
9	Cable holder	RC1-5773-000CN	1
10	Shield cover	RC1-5776-000CN	1
11	Shield cover	RC1-5778-000CN	1
12	Shield cover	RC1-5779-000CN	1
13	Flat cable	RK2-1171-000CN	1
14	Low-voltage power PCB assembly 110V	RK2-0627-000CN	1
14	Low-voltage power PCB assembly 220V	RK2-0628-000CN	1
15	Flat cable	RK2-0802-000CN	1
16	Flat cable connection 23P	RK2-0816-000CN	1
17	Laser/Scanner assembly	RM1-1591-000CN	4
18	DC controller assembly	RM1-2346-000CN	1
19	Left scanner retaining assembly	RM1-1664-000CN	1
20	Right scanner retaining assembly	RM1-1665-000CN	1
21	Rear plate assembly	RM1-1679-000CN	1
22	Power supply switch assembly	RM1-2099-000CN	1
23	Power cable assembly	RM1-2353-000CN	1

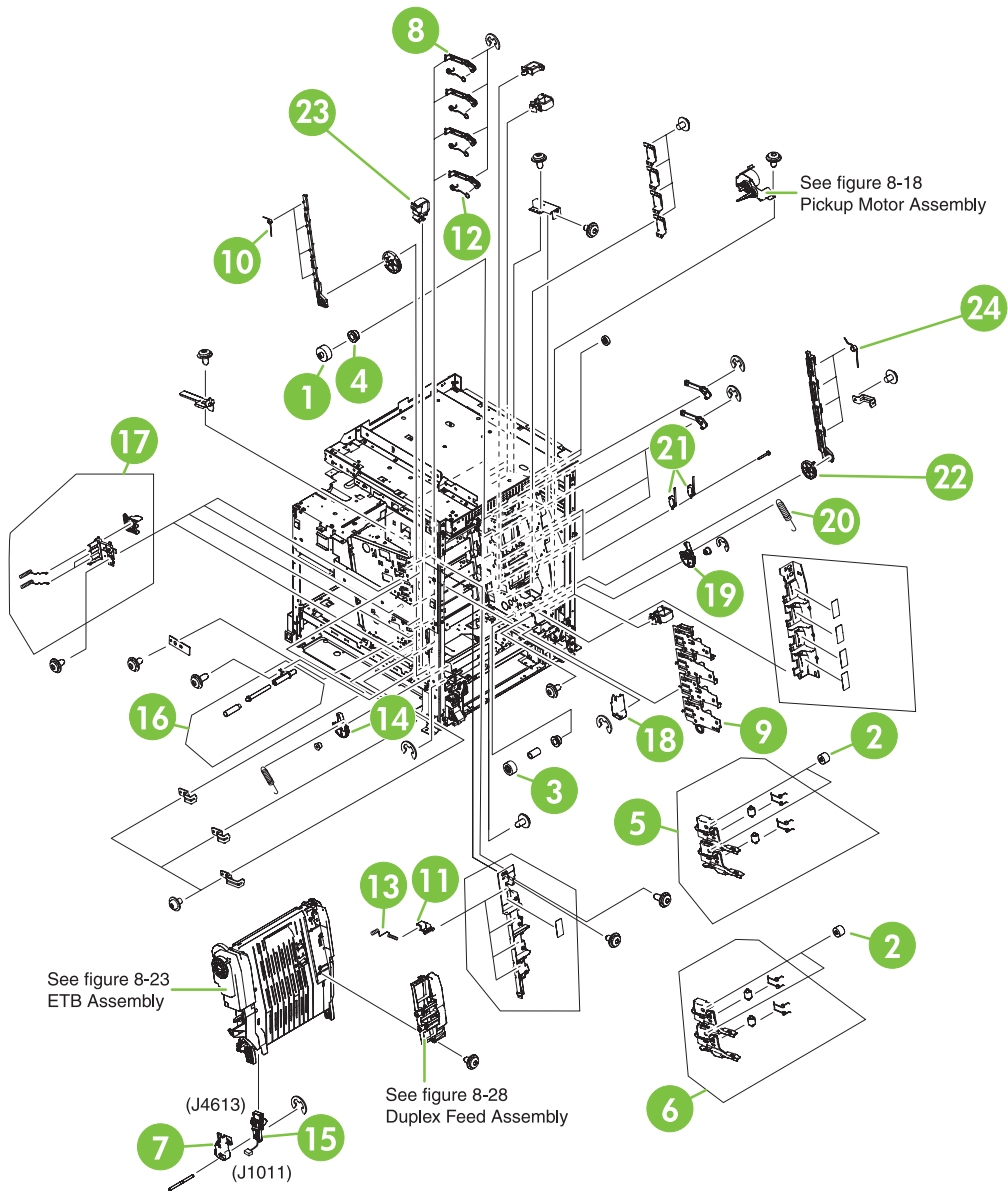


**Figure 7-11** Internal components (3 of 8)



**Table 7-11 Internal components (3 of 8)**

Ref	Description	Part number	Qty
1	Memory contact cable	RM1-1653-000CN	1
2	Cable holder	RC1-5772-000CN	1
3	Face down center guide	RC1-5864-000CN	1
4	Fan duct	RC1-5867-000CN	2
5	Feed unit connect cable assembly	RM1-2355-000CN	1
6	Test print upper guide	RC1-5728-000CN	1
7	Test print lower guide	RC1-5759-000CN	1
8	Test print rod	RC1-5760-000CN	1
9	Fan	RK2-0621-000CN	2
10	Test print button	RC1-4345-000CN	1



**Figure 7-12** Internal components (4 of 8)

**Table 7-12 Internal components (4 of 8)**

Ref	Description	Part number	Qty
1	30T gear	RC1-4309-000CN	4
2	29T gear	RC1-4310-000CN	4
3	18T gear	RC1-4324-000CN	1
4	Bushing	RC1-4325-000CN	5
5	Cartridge guide assembly, right upper	RM1-2142-000CN	1
6	Cartridge guide assembly, right lower	RM1-2143-000CN	1
7	Left cap	RC1-4386-000CN	1
8	Cartridge pressure left lever	RC1-4387-000CN	4
9	Cartridge left guide	RC1-5766-000CN	1
10	Tension spring	RC1-4393-000CN	4
11	HV terminal block	RC1-4394-000CN	4
12	Tension spring	RC1-4395-000CN	4
13	Compression spring	RC1-4396-000CN	4
14	Pressure plate	RC1-4397-000CN	1
15	Connector guide assembly	RM1-1675-000CN	1
16	Attraction contact assembly	RM1-1676-000CN	1
17	HV terminal mount assembly	RM1-2144-000CN	4
18	Right cap	RC1-4352-000CN	1
19	Pressure plate	RC1-4360-000CN	1
20	Tension spring	RC1-4423-000CN	1
21	Switch	WC4-5188-000CN	2
22	70T gear	RC1-4356-000CN	1
23	70T gear	RC1-4392-000CN	1
24	Tension spring	RC1-4357-000CN	4

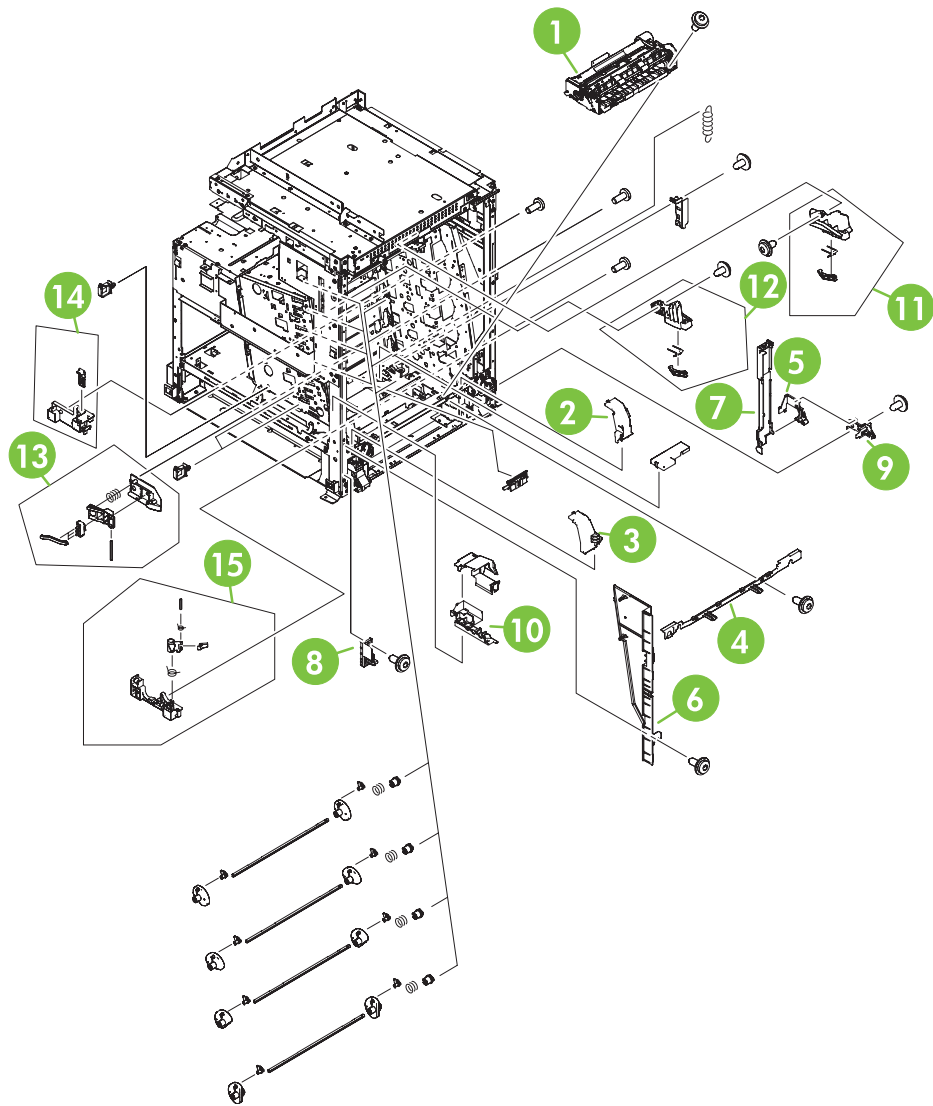
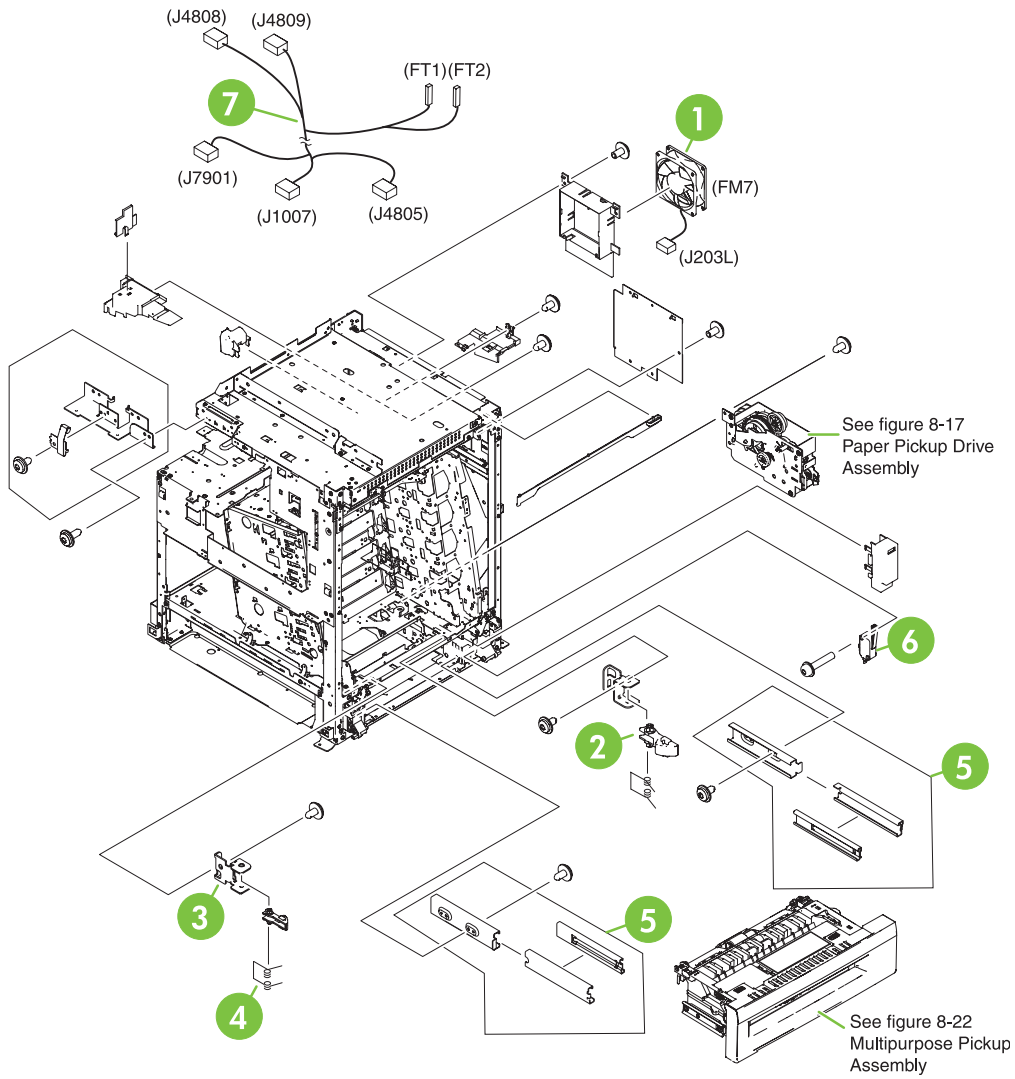


Figure 7-13 Internal components (5 of 8)

**Table 7-13 Internal components (5 of 8)**

Ref	Description	Part number	Qty
1	Paper feed assembly	RM1-1756-000CN	1
2	Lower right cover	RC1-4322-000CN	1
3	Lower left cover	RC1-4323-000CN	1
4	Base plate edge cover	RC1-5644-000CN	1
5	Cable guide	RC1-5645-000CN	1
6	Inner cover	RC1-5658-000CN	1
7	Door cable cover	RC1-5677-000CN	1
8	Front door hinge shaft	RC1-5692-000CN	1
9	Rear door hinge shaft	RC1-5693-000CN	1
10	Cable guide	RC1-5904-000CN	1
11	Right ETB lever assembly	RM1-1662-000CN	1
12	Left ETB lever assembly	RM1-1663-000CN	1
13	Size sensing assembly	RM1-0041-020CN	1
14	Left reg. adjustment assembly	RM1-1007-000CN	1
15	Kicker assembly	RM1-1008-000CN	1



**Figure 7-14** Internal components (6 of 8)

**Table 7-14 Internal components (6 of 8)**

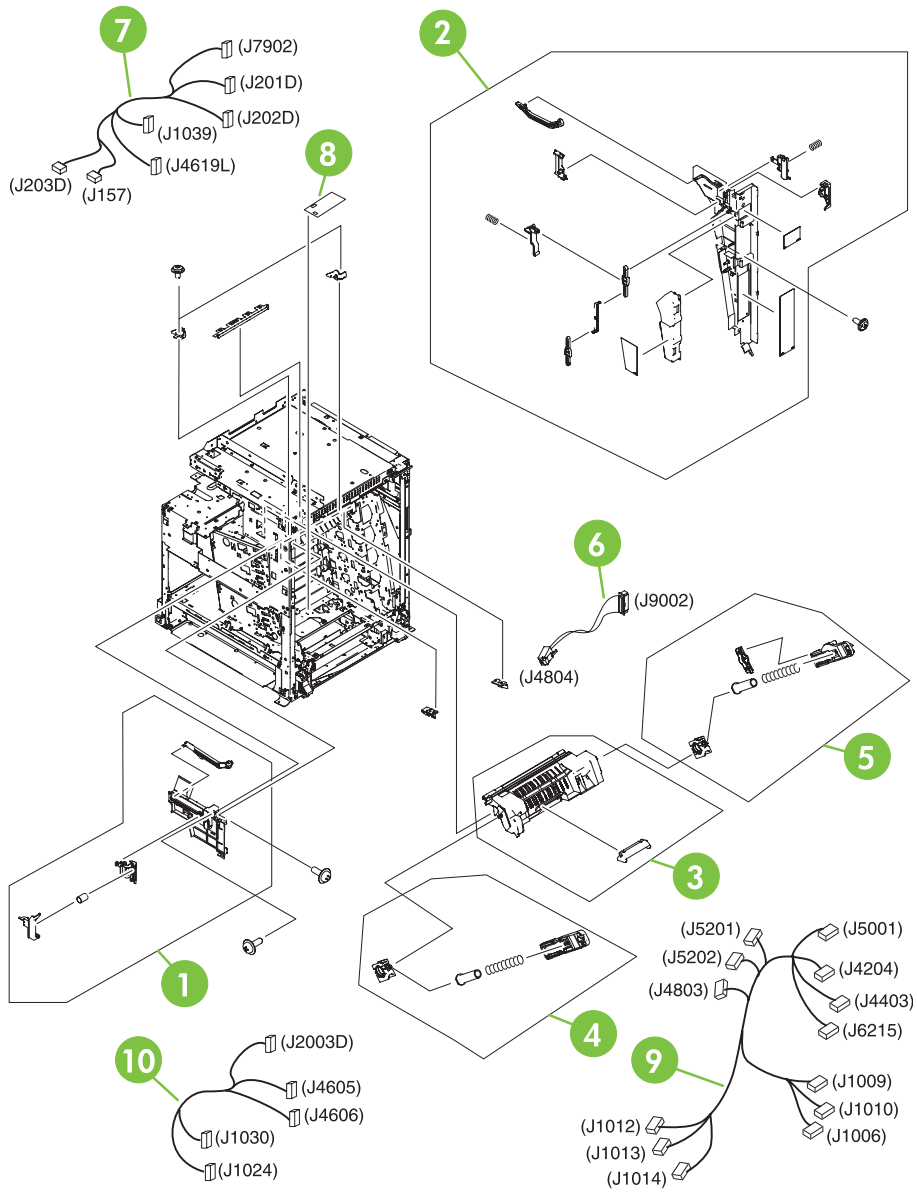
Ref	Description	Part number	Qty
1	Fan	RK2-0621-000CN	1
2	Lock lever	RC1-5926-000CN	2
3	Lock plate	RC1-5927-000CN	2
4	Torsion spring	RC1-5953-000CN	2
5	MPU rail assembly	RM1-2203-000CN	2
6	Microswitch	RK2-0804-000CN	1
7	Door cable assembly	RM1-2356-000CN	1





**Table 7-15 Internal components (7 of 8)**

Ref	Description	Part number	Qty
1	Fan holder	RC1-4316-000CN	1
2	DC stepping motor	RK2-0618-000CN	1
3	Fan	RK2-0622-000CN	1
4	Drum motor assembly	RM1-1659-000CN	4
5	Sub power supply assembly	RM1-2119-000CN	1
6	Main drive assembly	RM1-2137-000CN	1
7	Pickup cable assembly	RM1-2361-000CN	1
8	Sensor lever	RC1-6013-000CN	1
9	Paper pickup roller assembly	RM1-0036-020CN	1
10	Paper feed roller assembly	RM1-0037-020CN	1
11	Paper sensor cable assembly	RM1-2350-000CN	1
12	Photo interrupter, TLP1243	WG8-5696-000CN	2
13	Fan driver PCB assembly	RM1-2345-000CN	1
14	Fan	RK2-0621-000CN	1
15	Drive sensor cable assembly	RM1-2349-000CN	1
16	MFP power cable assembly	RM1-2351-000CN	1
17	Power save cable assembly	RM1-2352-000CN	1
18	Fan connecting cable assembly	RM1-2357-000CN	1
19	Fan connecting cable assembly	RM1-2358-000CN	1
20	M.P. link, right arm	RC1-4439-000CN	1
21	M.P. link, left arm	RC1-4441-000CN	1
22	Torsion spring	RC1-4440-000CN	2



**Figure 7-16** Internal components (8 of 8)

**Table 7-16 Internal components (8 of 8)**

Ref	Description	Part number	Qty
1	Front inner cover assembly	RM1-2100-000CN	1
2	Rear inner cover assembly	RM1-2101-000CN	1
3	Fuser door assembly	RM1-2102-000CN	1
4	Front fuser door link assembly	RM1-2103-000CN	1
5	Rear fuser door link assembly	RM1-2104-000CN	1
6	Formatter power cable assembly	RM1-1642-000CN	1
7	Fan connecting cable assembly	RM1-2360-000CN	1
8	Memory PCB assembly	RM1-1618-000CN	1
9	Main cable assembly	RM1-1627-000CN	1
10	Fuser motor cable assembly	RM1-1631-000CN	1

1

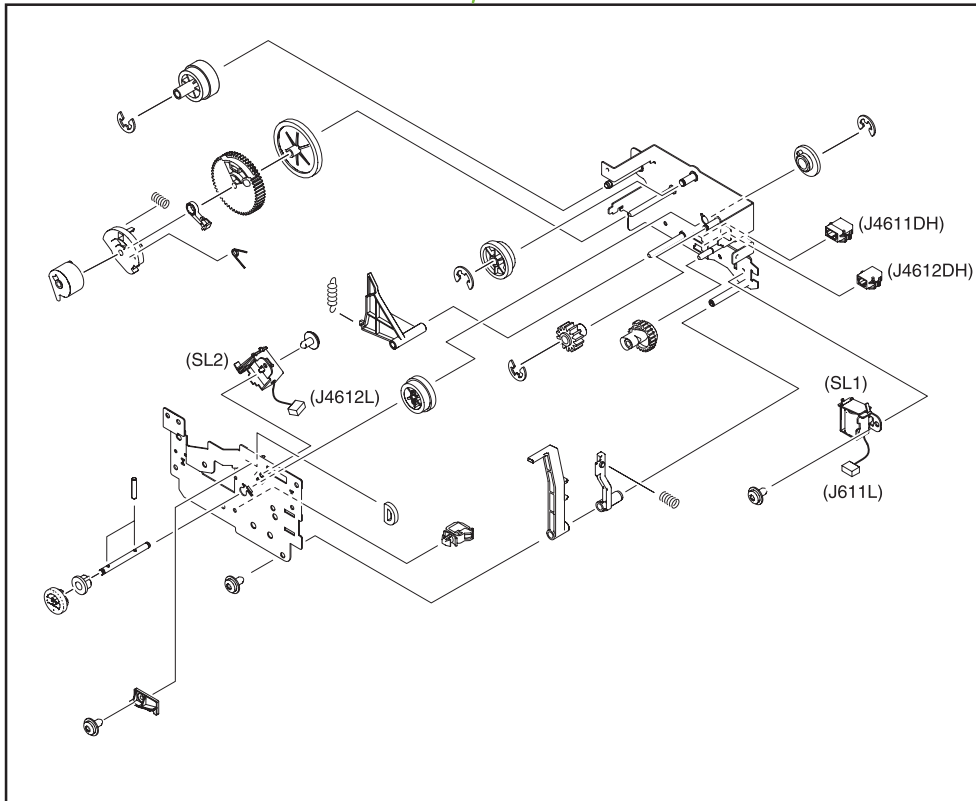


Figure 7-17 Paper pickup drive assembly

**Table 7-17 Paper pickup drive assembly**

Ref	Description	Part number	Qty
1	Paper pickup drive assembly	RM1-2198-000CN	1

1

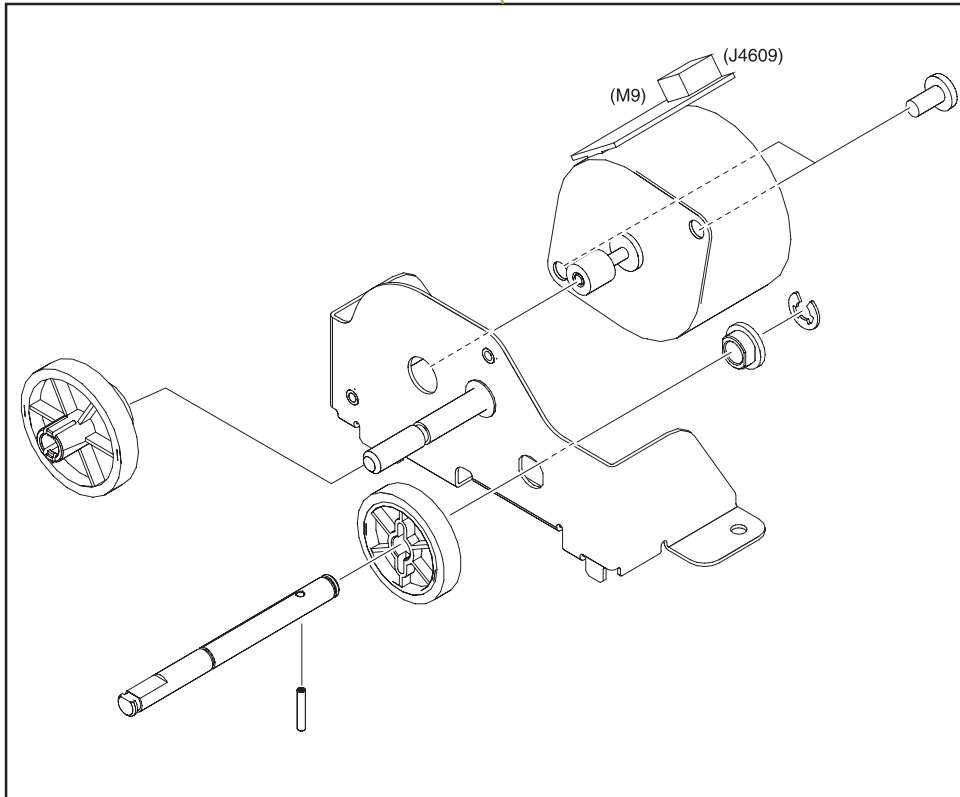
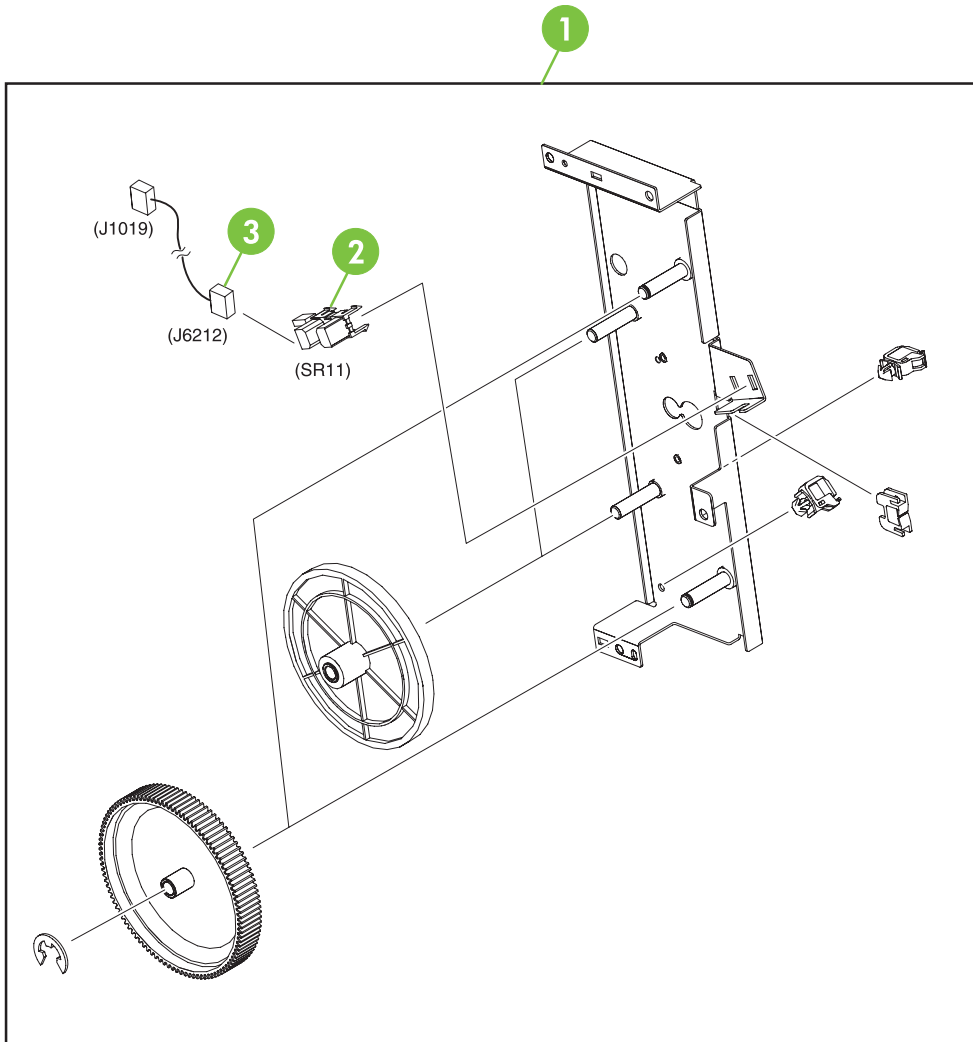


Figure 7-18 Pickup motor assembly

**Table 7-18 Pickup motor assembly**

Ref	Description	Part number	Qty
1	pickup motor assembly	RM1-2189-000CN	1



**Figure 7-19** Disengaging drive assembly



**Table 7-19 Disengaging drive assembly**

Ref	Description	Part number	Qty
1	Disengaging Drive Assembly	RM1-1717-000CN	1
2	Photo Interrupter TLP1243	WG8-5696-000CN	1
3	Developing disengaging sensor cable	RM1-1644-000CN	1

1

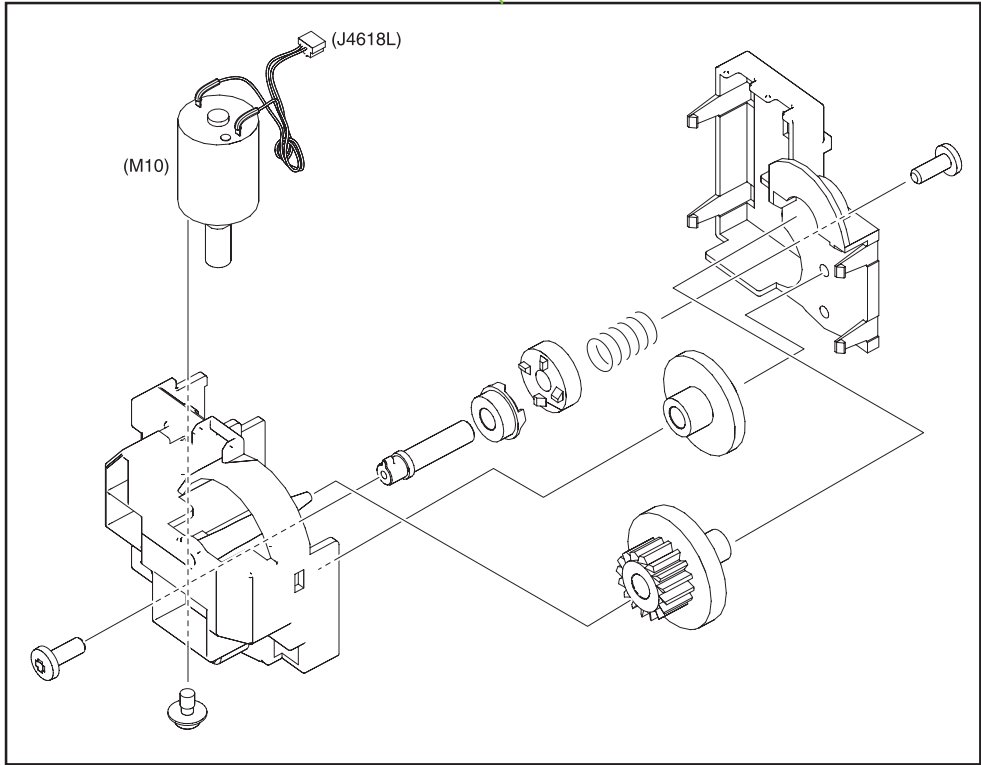


Figure 7-20 Lifter drive assembly

**Table 7-20 Lifter drive assembly**

Ref	Description	Part number	Qty
1	Lifter drive assembly	RM1-1750-000CN	1

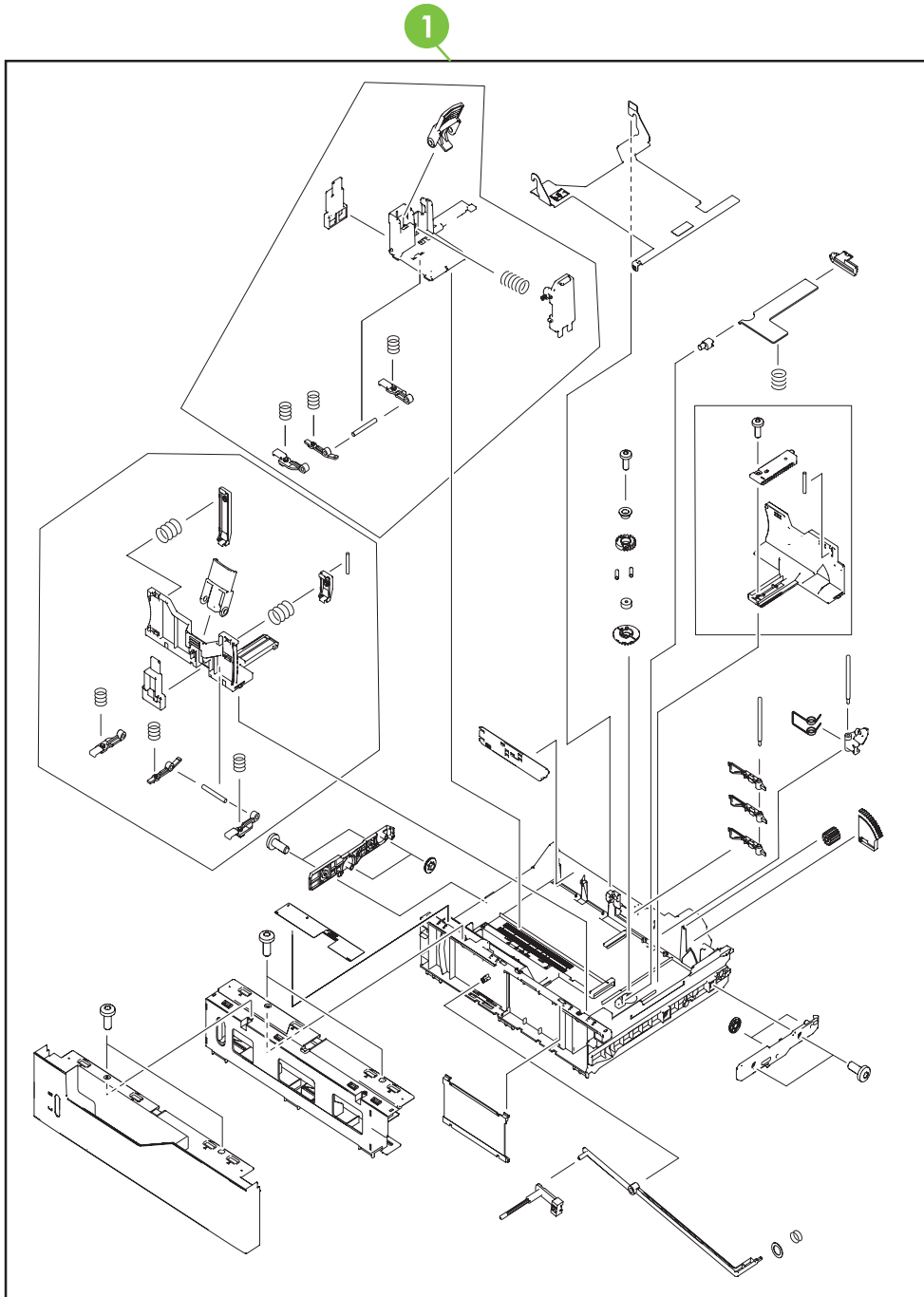


Figure 7-21 Cassette

**Table 7-21 Cassette**

Ref	Description	Part number	Qty
1	Cassette	RM1-2219-000CN	1

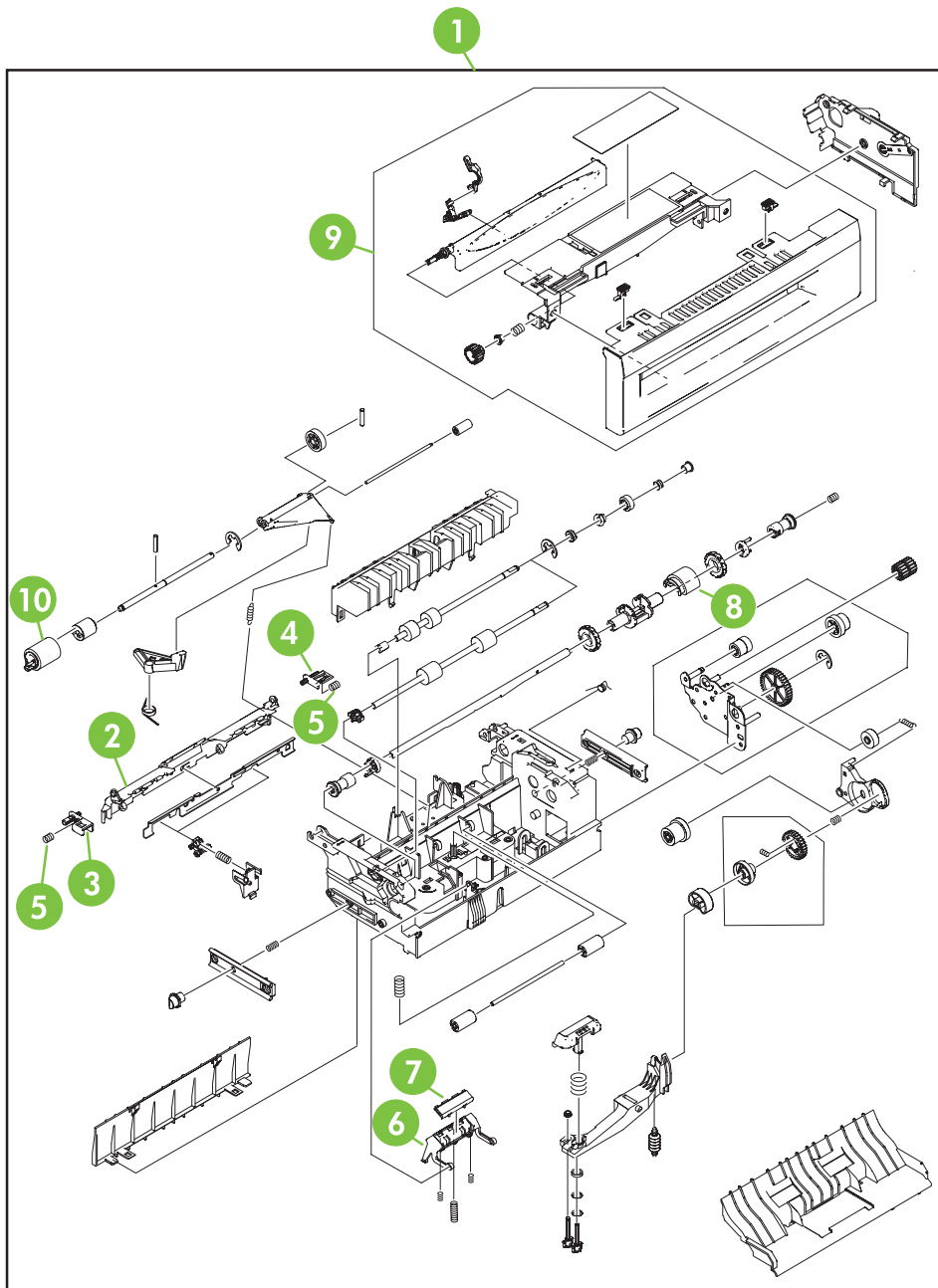


Figure 7-22 Multipurpose pickup assembly

**Table 7-22 Multipurpose pickup assembly**

Ref	Description	Part number	Qty
1	Multipurpose pickup assembly	RM1-2199-000CN	1
2	Retard guide	RC1-5940-000CN	1
3	Retard guide pin	RC1-5938-000CN	1
4	Retard guide pin	RC1-5939-000CN	1
5	Compression spring	RU5-2514-000CN	2
6	Base separation pad	RB2-8386-000CN	1
7	Separation pad	RF5-3750-020CN	1
8	pickup roller	RL1-0019-000CN	1
9	Cst. Cover assembly, B	RM1-2200-000CN	1
10	Paper feed roller assembly	RM1-0037-020CN	1

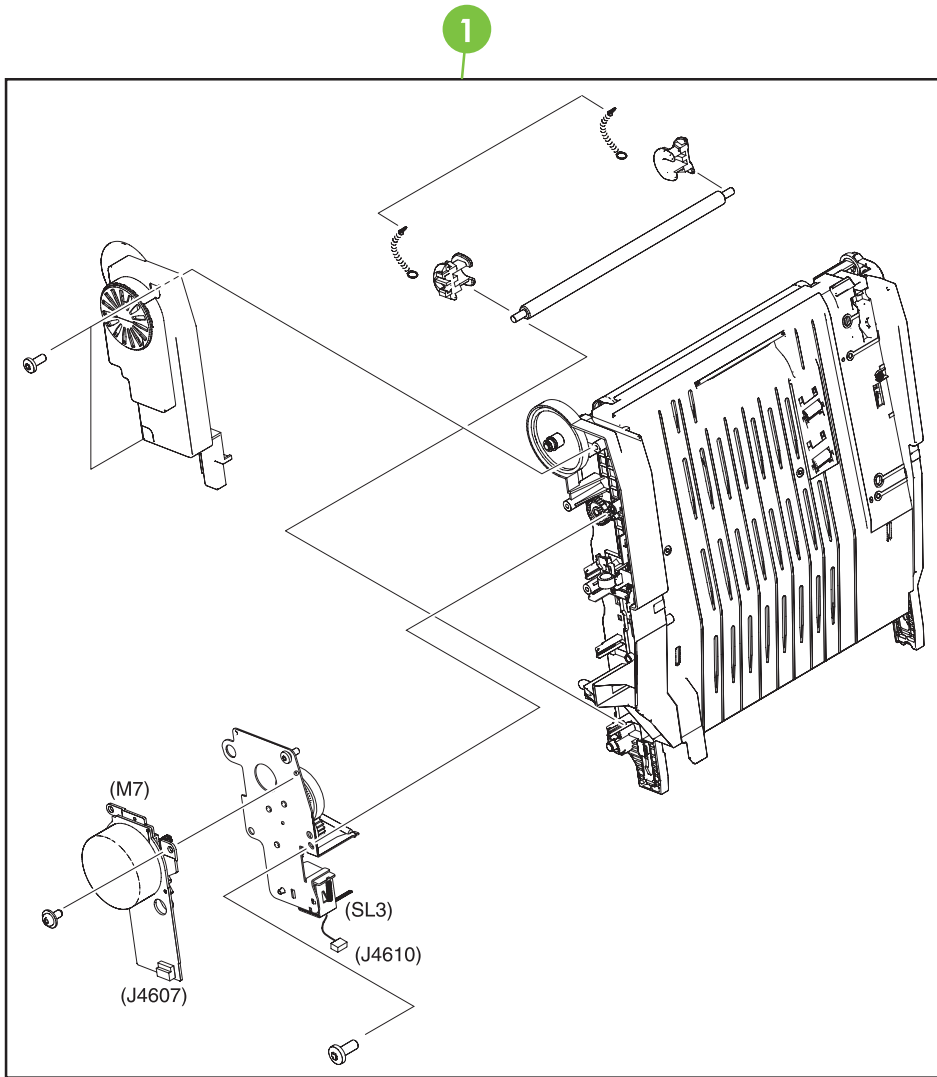
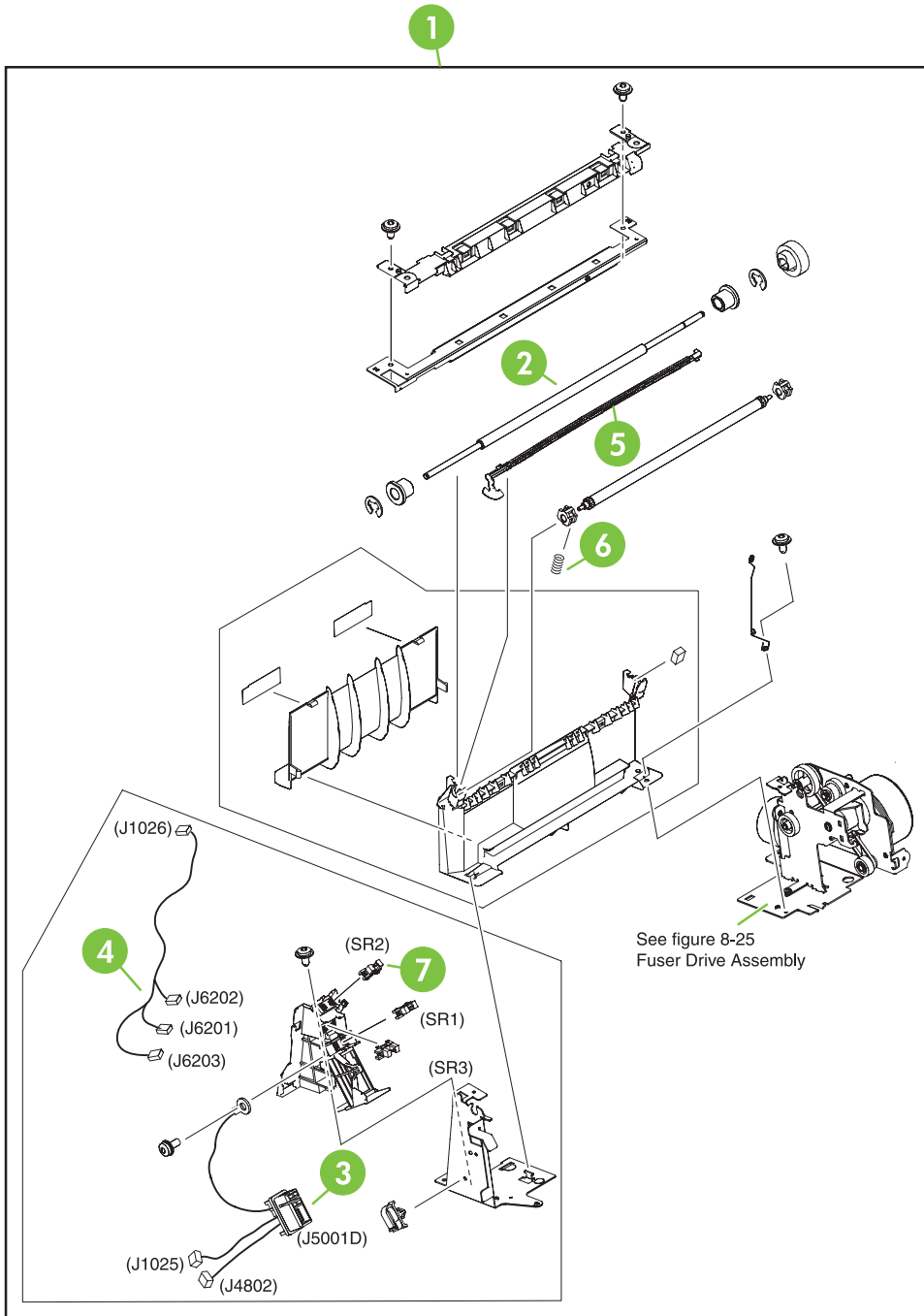


Figure 7-23 ETB assembly



**Table 7-23 ETB assembly**

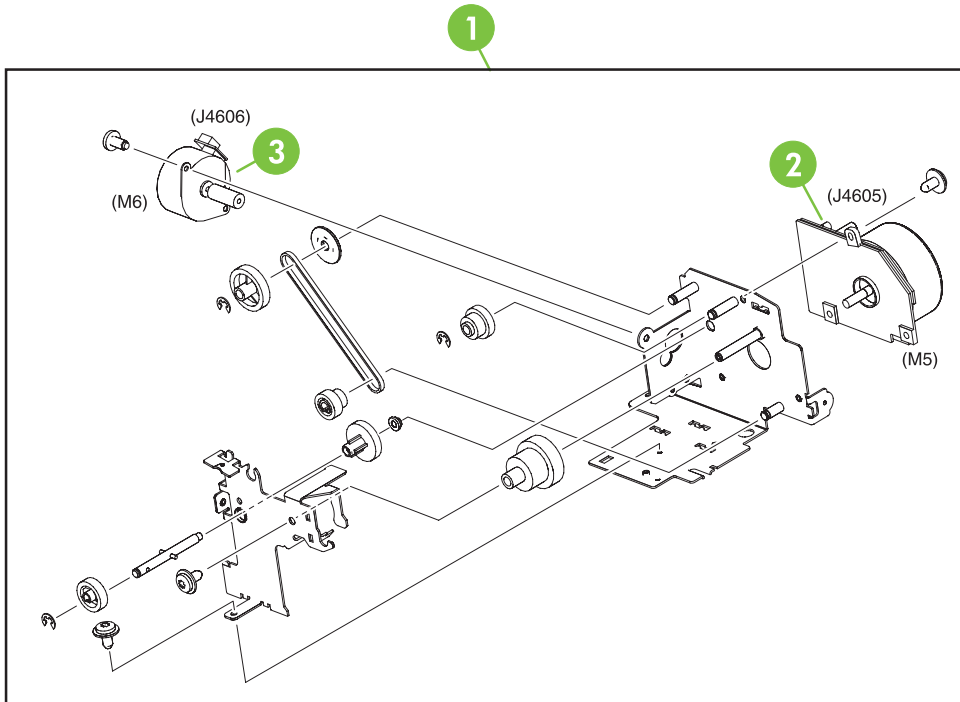
Ref	Description	Part number	Qty
1	ETB assembly	RM1-3161-080CN	1



**Figure 7-24** Delivery assembly

**Table 7-24 Delivery assembly**

Ref	Description	Part number	Qty
1	Delivery assembly 110-127V (new)	RM1-1730-030CN	1
1	Delivery assembly 220-240V (new)	RM1-1737-030CN	1
2	Delivery roller 110-127V	RC1-4874-000CN	1
2	Delivery roller 220-240V	RC1-4875-000CN	1
3	Fuser drive cable assembly	RM1-1634-000CN	1
4	Fuser drive cable assembly	RM1-1638-000CN	1
5	Full sensor flag	RL1-0612-000CN	1
6	Compression spring	RC1-4803-000CN	1
7	Photo interrupter, TLP1243	WG8-5696-000CN	3



**Figure 7-25** Fuser drive assembly

**Table 7-25 Fuser drive assembly**

Ref	Description	Part number	Qty
1	Fuser drive assembly	RM1-1729-000CN	1
2	DC motor	RK2-0615-000CN	1
3	DC stepping motor	RK2-0619-000CN	1

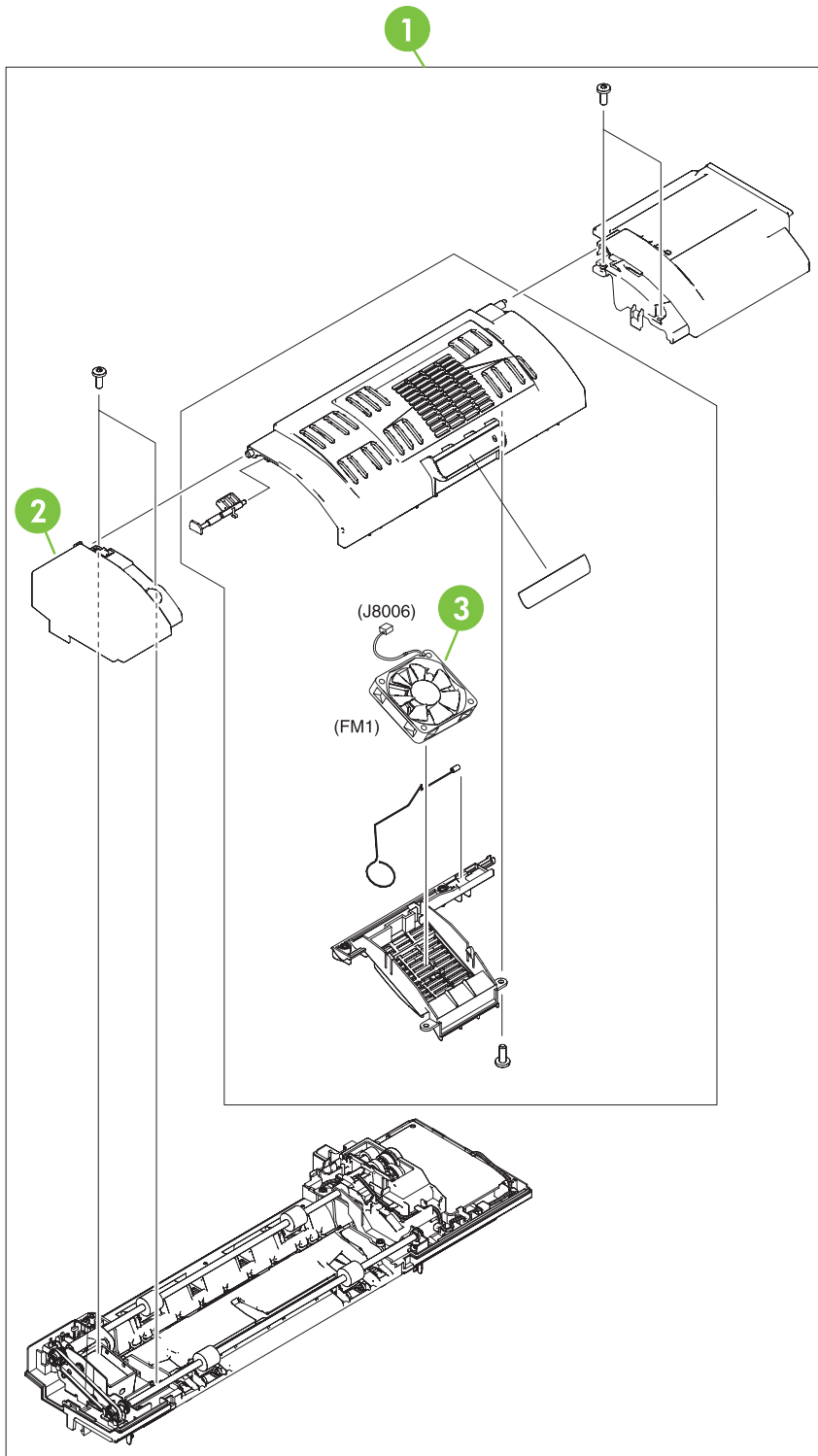
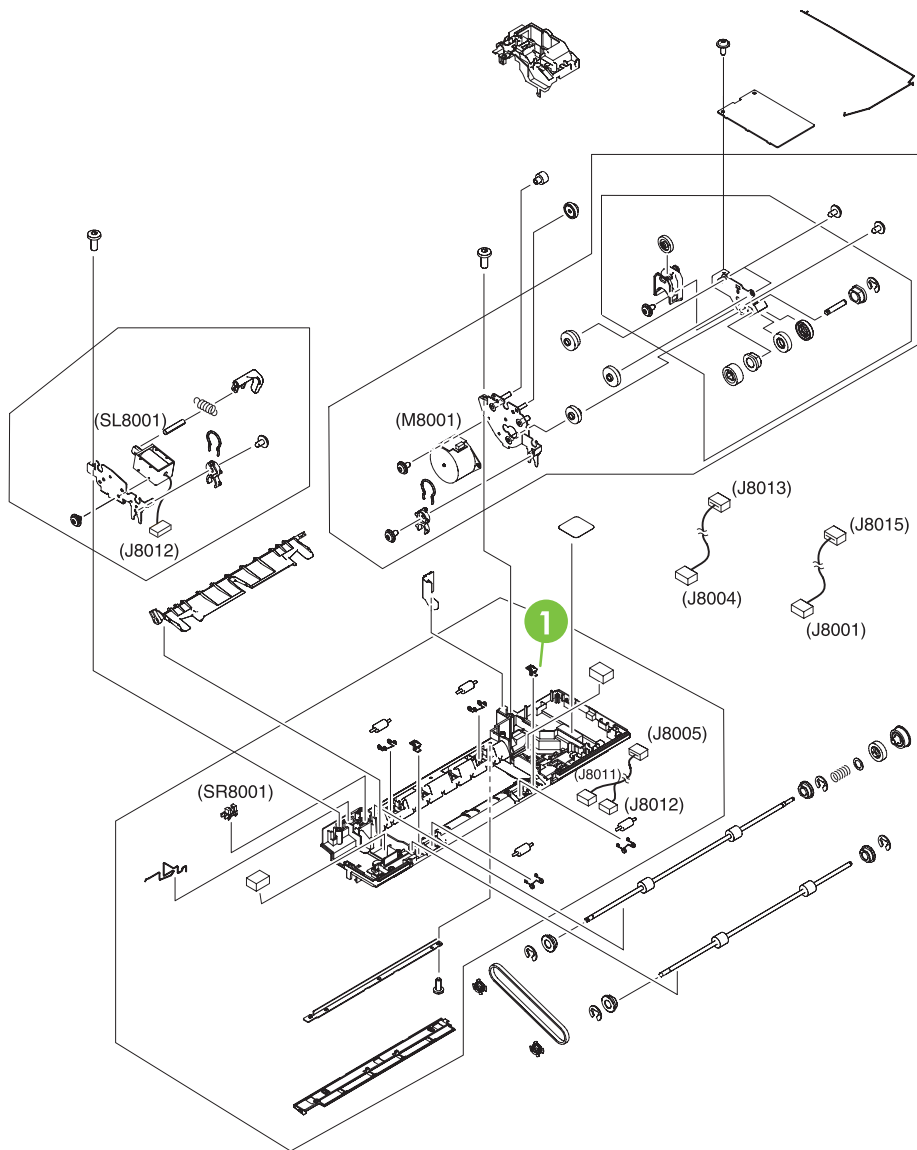


Figure 7-26 Duplexing unit (1 of 2)

**Table 7-26 Duplexing unit (1 of 2)**

<b>Ref</b>	<b>Description</b>	<b>Part number</b>	<b>Qty</b>
1	Duplexing unit	RM1-2112-000CN	1
2	Solenoid cover	RL1-0654-000CN	1
3	Fan	RK2-0648-000CN	1

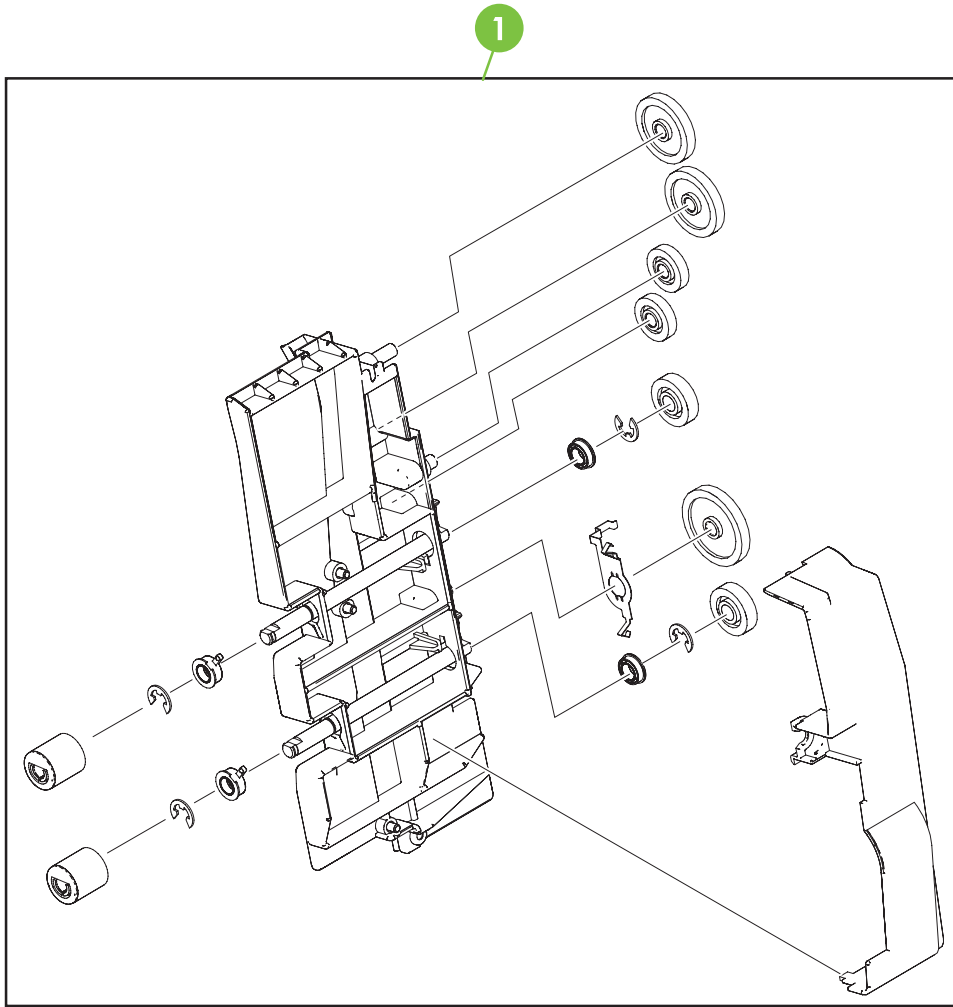


**Figure 7-27** Duplexing unit (2 of 2)



**Table 7-27 Duplexing unit (2 of 2)**

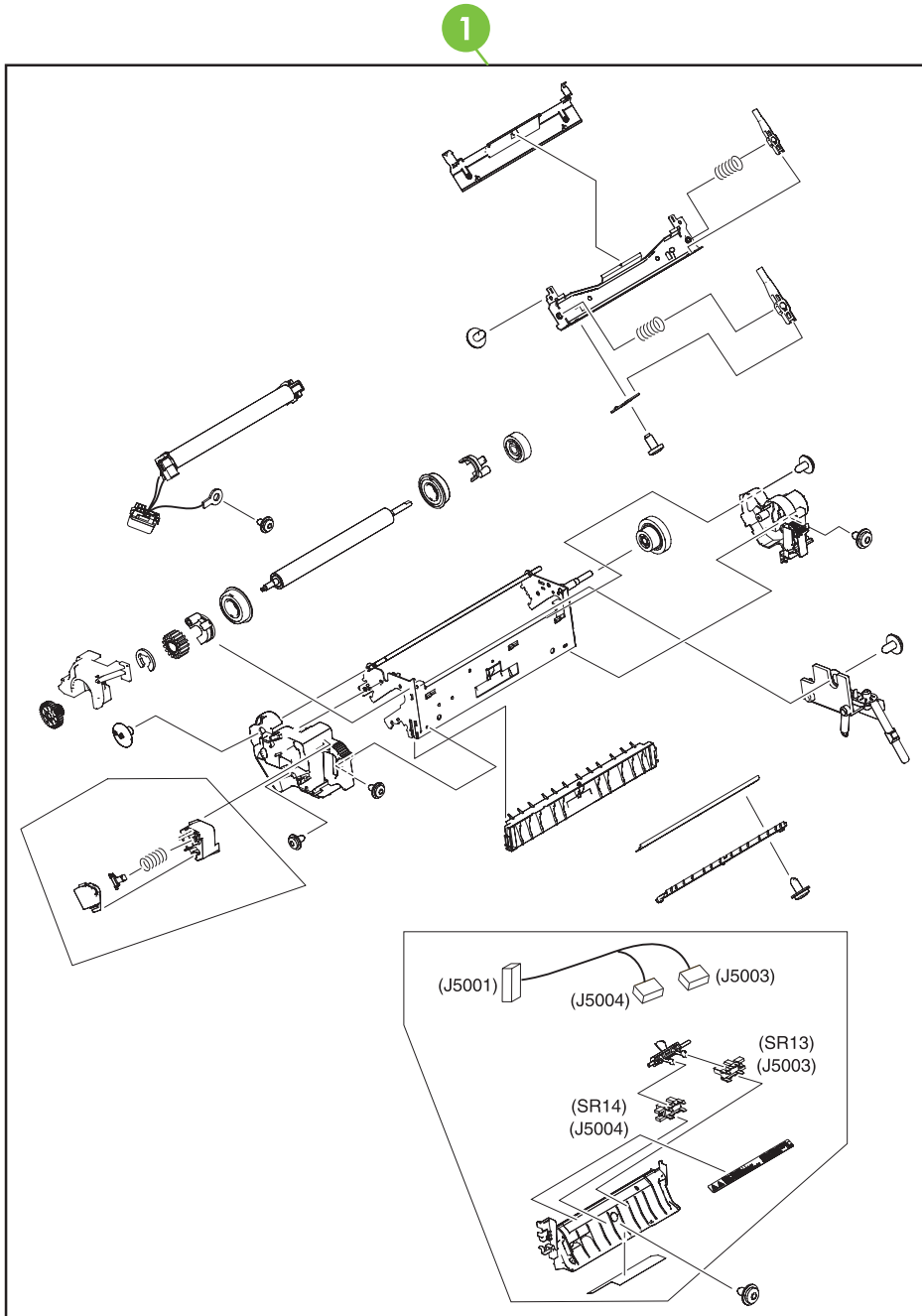
Ref	Description	Part number	Qty
1	Duplex lock	RC1-5020-000CN	2



**Figure 7-28** Duplex feed assembly

**Table 7-28 Duplex feed assembly**

Ref	Description	Part number	Qty
1	Duplex feed assembly	RM1-1785-000CN	1



**Figure 7-29** Fuser assembly

**Table 7-29 Fuser assembly**

Ref	Description	Part number	Qty
1	Fuser assembly (110-127V)	RM1-3131-060CN	1
1	Fuser assembly (220-240V)	RM1-3146-060CN	1

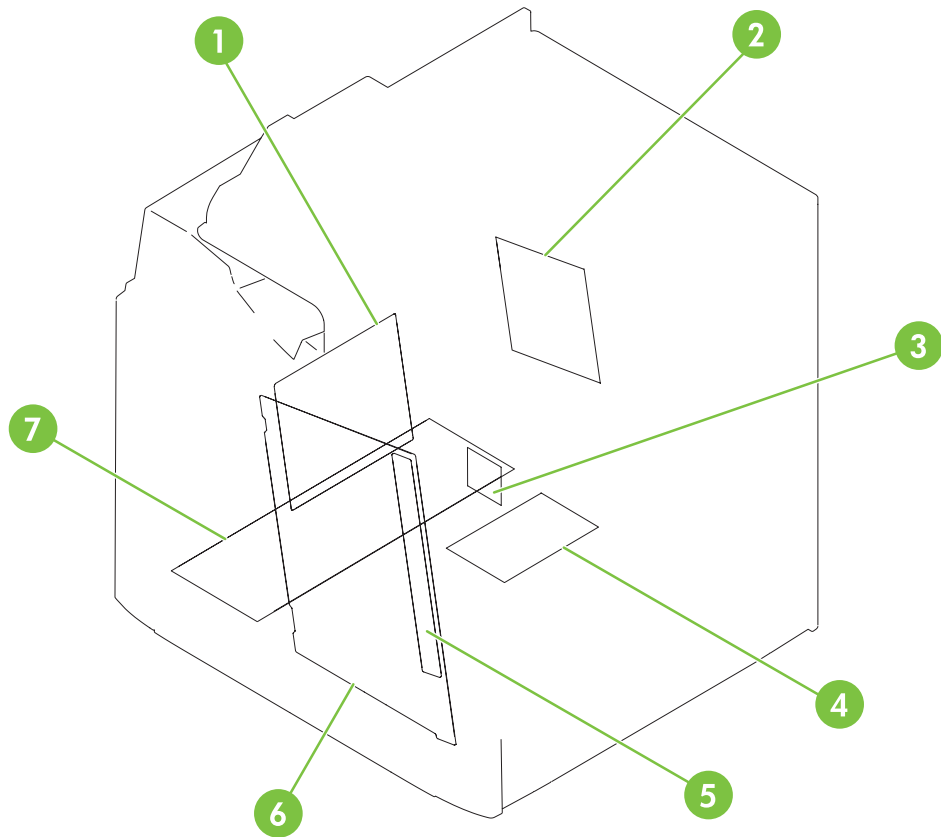


Figure 7-30 PCB assembly

**Table 7-30 PCB assembly**

Ref	Description	Part number	Qty
1	DC controller PCB assembly	RM1-2346-080CN	1
2	Sub power supply assembly	RM1-2119-000CN	1
3	Fan driver PCB assembly	RM1-2345-000CN	1
4	Memory PCB assembly	RM1-1618-000CN	1
5	Toner sensor PCB assembly	RM1-1609-000CN	1
6	High-voltage power PCB assembly	RM1-1608-000CN	1
7	Low-voltage power PCB assembly 110-127V	RK2-0627-000CN	1
7	Low-voltage power PCB assembly 220-240V	RK2-0628-000CN	1

## ADF components

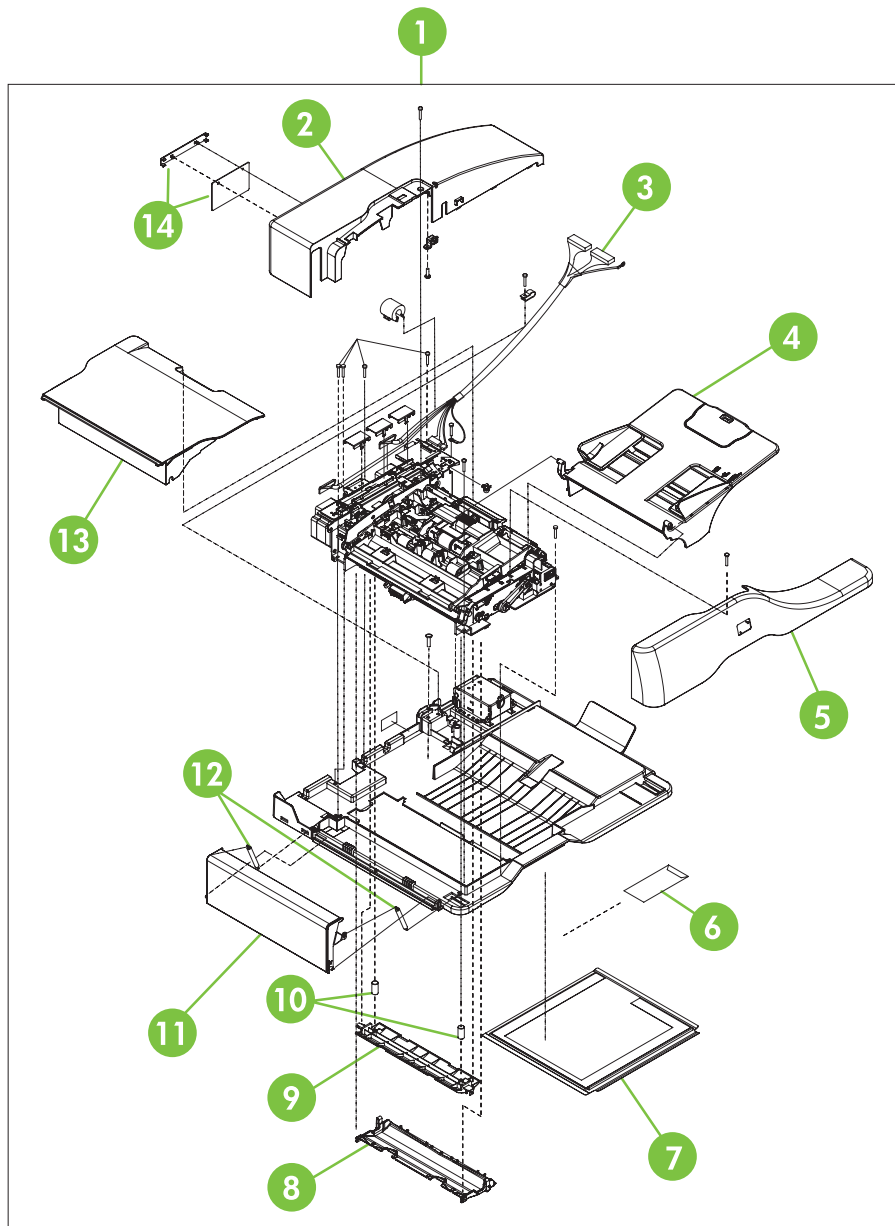
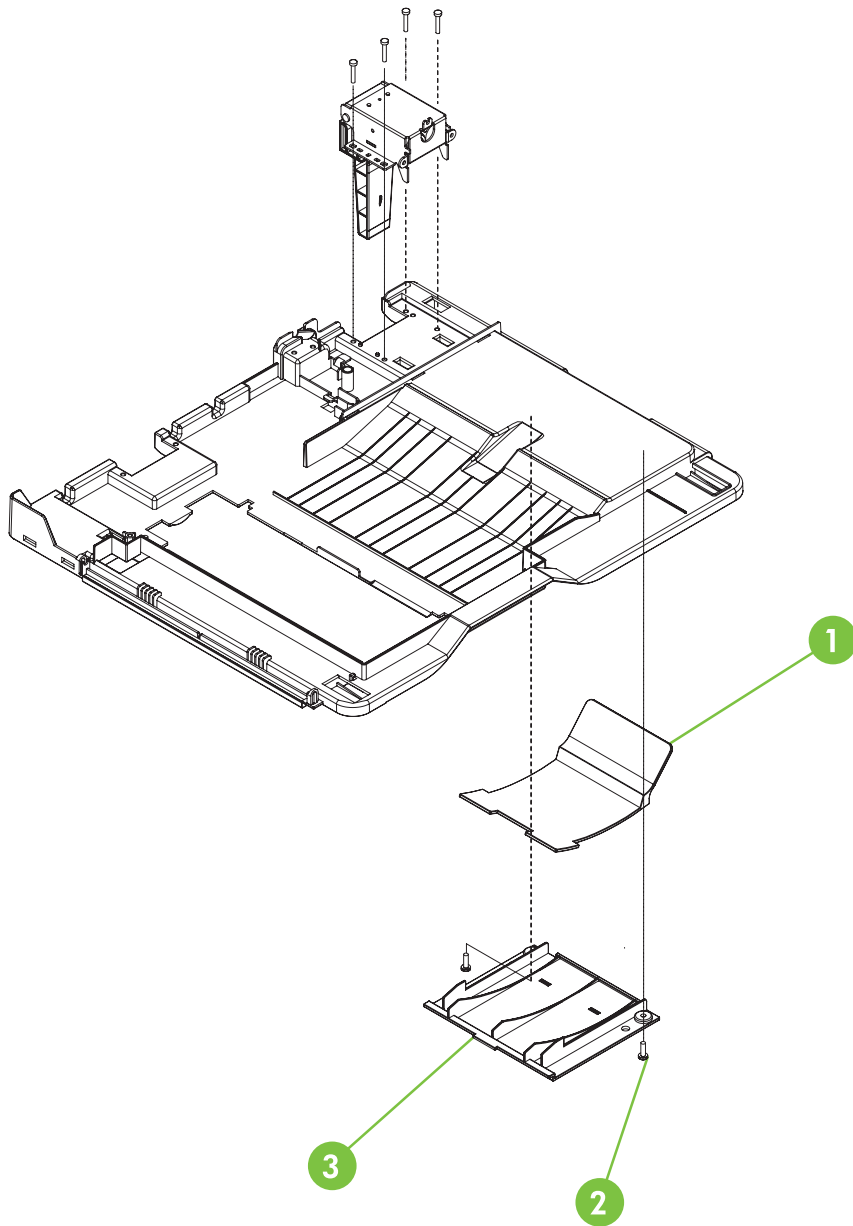


Figure 7-31 ADF assembly



**Table 7-31 ADF assembly**

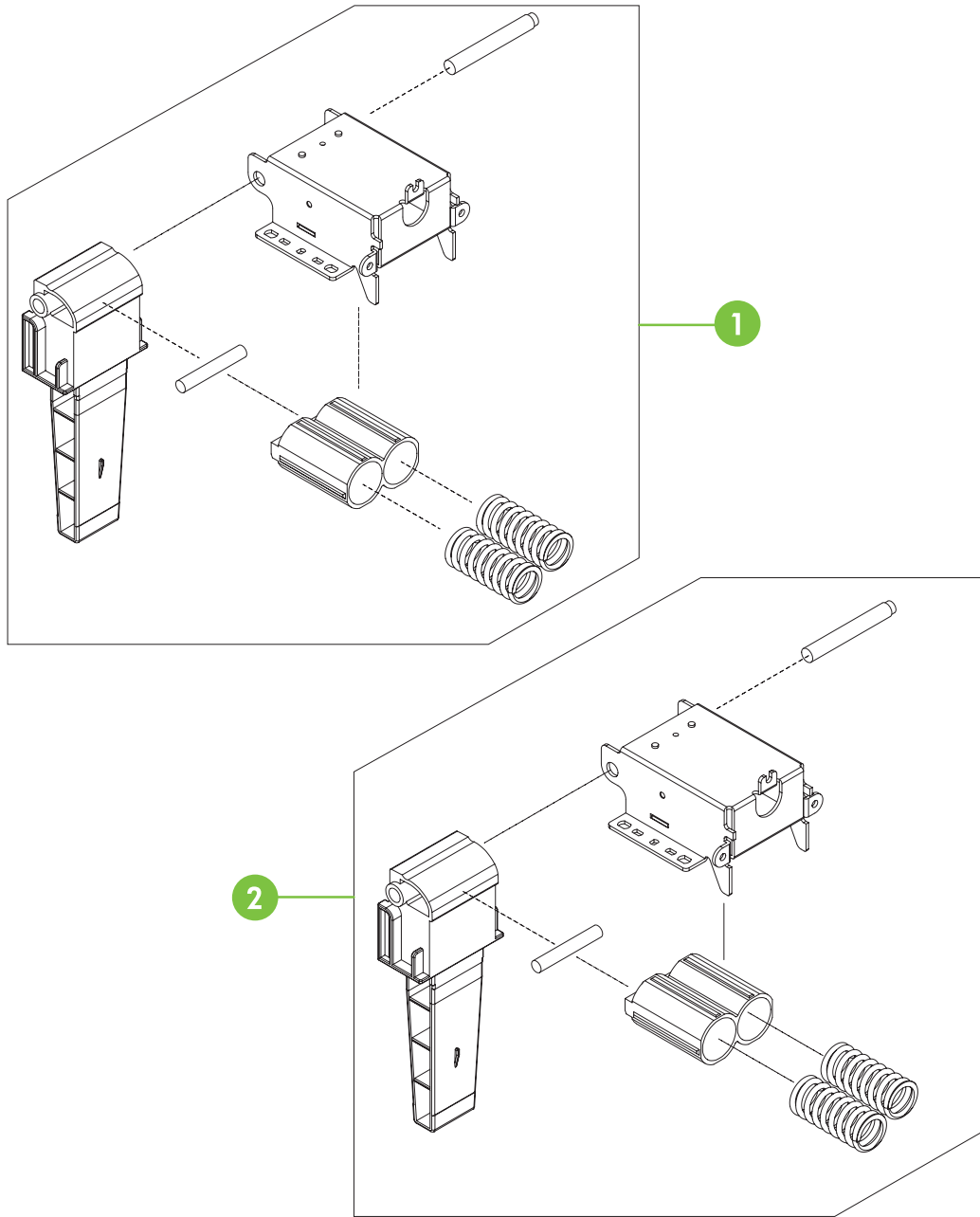
Ref	Description	Part number	Qty
1	ADF assembly (without skins)	PF2288-SVPNI	1
2	ADF rear cover	PF2288P044NI	1
3	ADF to SCB cable	PF2282K165NI	1
4	ADF input tray	PF2282K042NI	1
5	ADF front cover assembly	PF2288K001NI	1
6	ADF mylar replacement kit	Q6496-67901	1
7	ADF white scan background	PF2282P339NI	1
8	ADF mylar holder assembly	PF2282K043NI	1
9	ADF window background	PF2282P025NI	1
10	ADF spring for window background	PF2282P343NI	2
11	ADF left cover	PF2288P058NI	1
12	ADF springs for left cover	PF2282P352NI	2
13	ADF jam-access cover	PF2282P041NI	1
14	ADF mud flap assembly	PF2282K166NI	1



**Figure 7-32** ADF internal components (1 of 3)

**Table 7-32 ADF internal components (1 of 3)**

Ref	Description	Part number	Qty
1	ADF output bin paper stop	PF2282P061NI	1
2	ADF screw, M3X8	IR4041P021NI	7
3	ADF output bin base cover	PF2282P060NI	1



**Figure 7-33** ADF internal components (2 of 3)

**Table 7-33 ADF internal components (2 of 3)**

Ref	Description	Part number	Qty
1	ADF left hinge assembly	PF2288K041NI	1
2	ADF right hinge assembly	PF2282K008NI	1

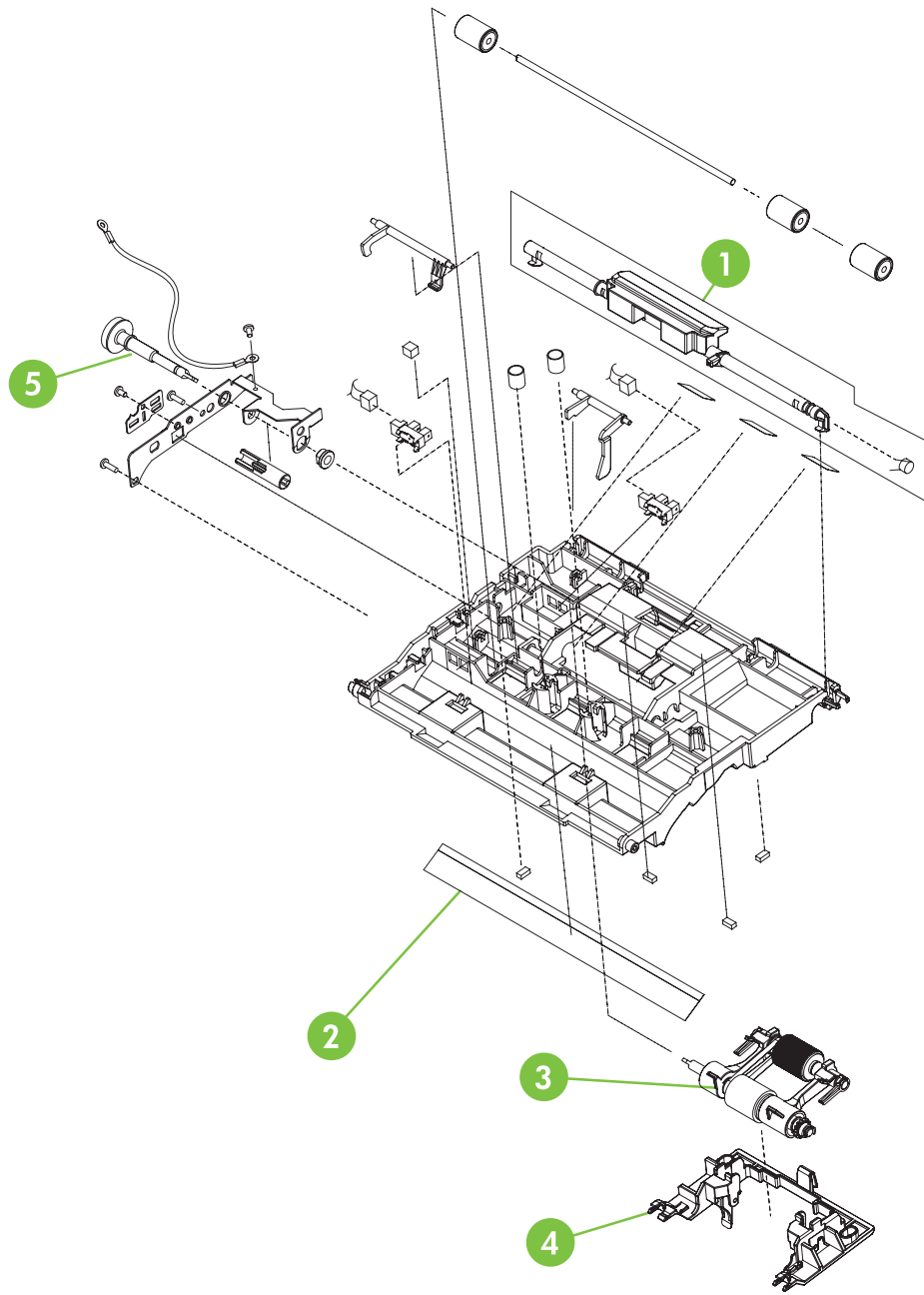


Figure 7-34 ADF internal components (3 of 3)

**Table 7-34 ADF internal components (3 of 3)**

Ref	Description	Part number	Qty
1	ADF jam access latch	PF2282K164NI	1
2	ADF duplex path mylar	PF2282P353NI	1
3	ADF pickup roller assembly	PF2282K039NI	1
4	ADF pickup roller holder assembly	PF2282K040NI	1
5	ADF pickup gear	PF2282P039NI	1

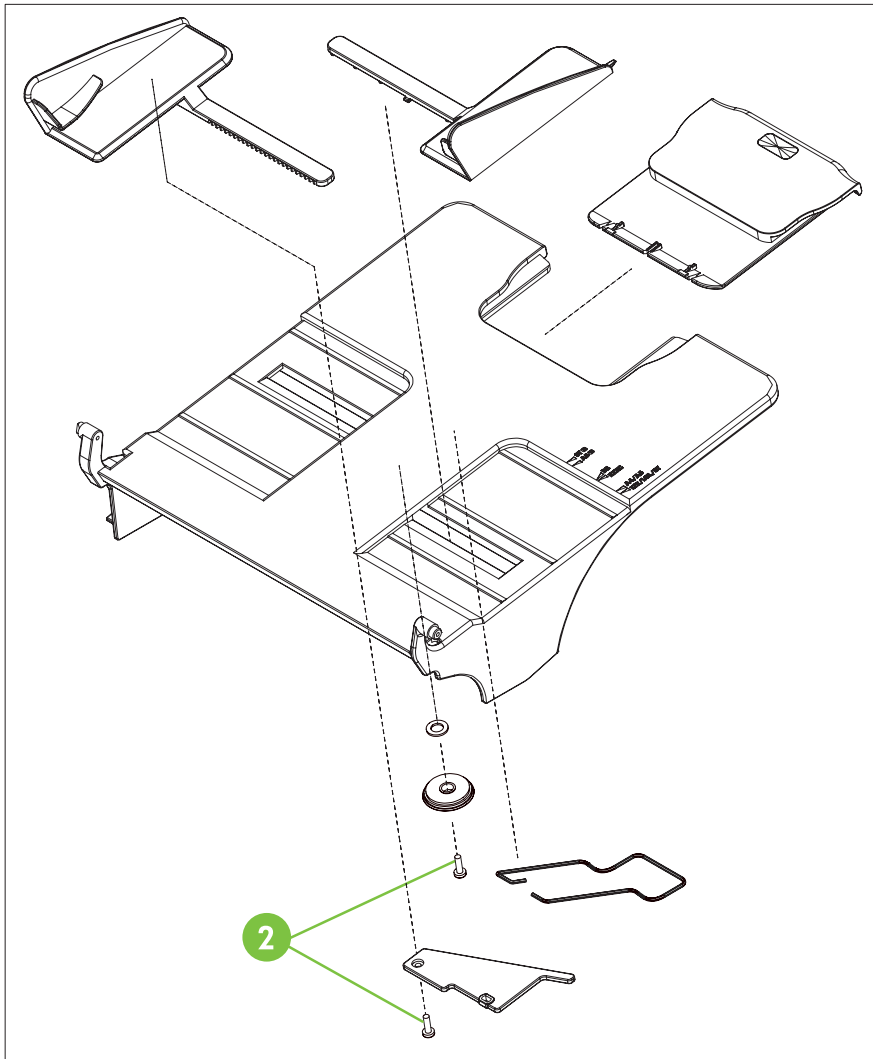


Figure 7-35 ADF input tray



**Table 7-35 ADF input tray**

Ref	Description	Part number	Qty
1	ADF input tray assembly	PF2282K042NI	1
2	ADF button screw M3x8	IR4041P021NI	2

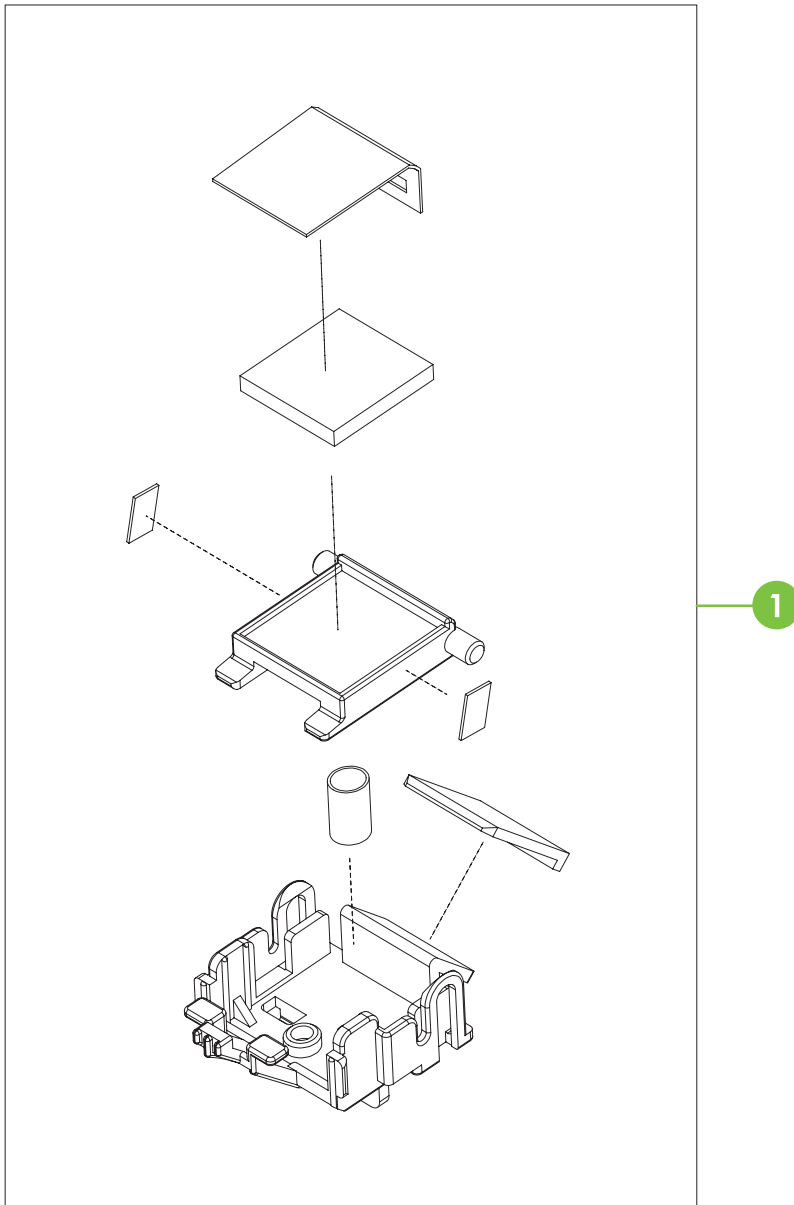
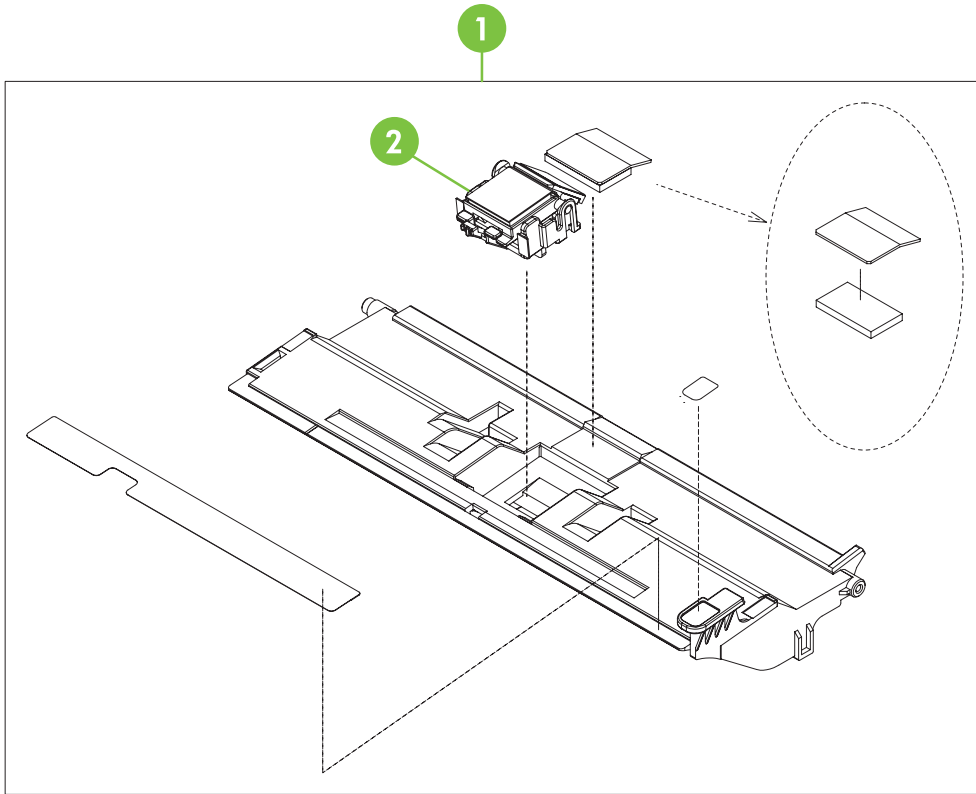


Figure 7-36 ADF separation pad

**Table 7-36 ADF separation pad**

Ref	Description	Part number	Qty
1	ADF separation pad assembly	PF2282K035NI	1



**Figure 7-37** ADF separation pad case

**Table 7-37 ADF separation pad case**

Ref	Description	Part number	Qty
1	ADF upper paper path assembly	PF2282K034NI	1
2	ADF separation pad assembly	PF2282K035NI	1

1

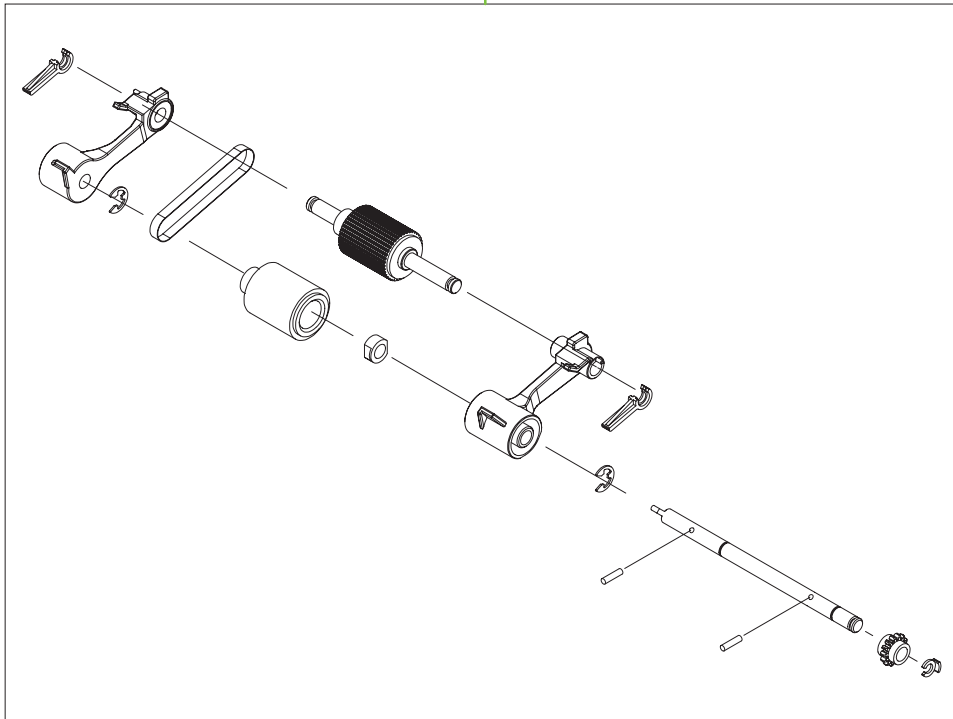
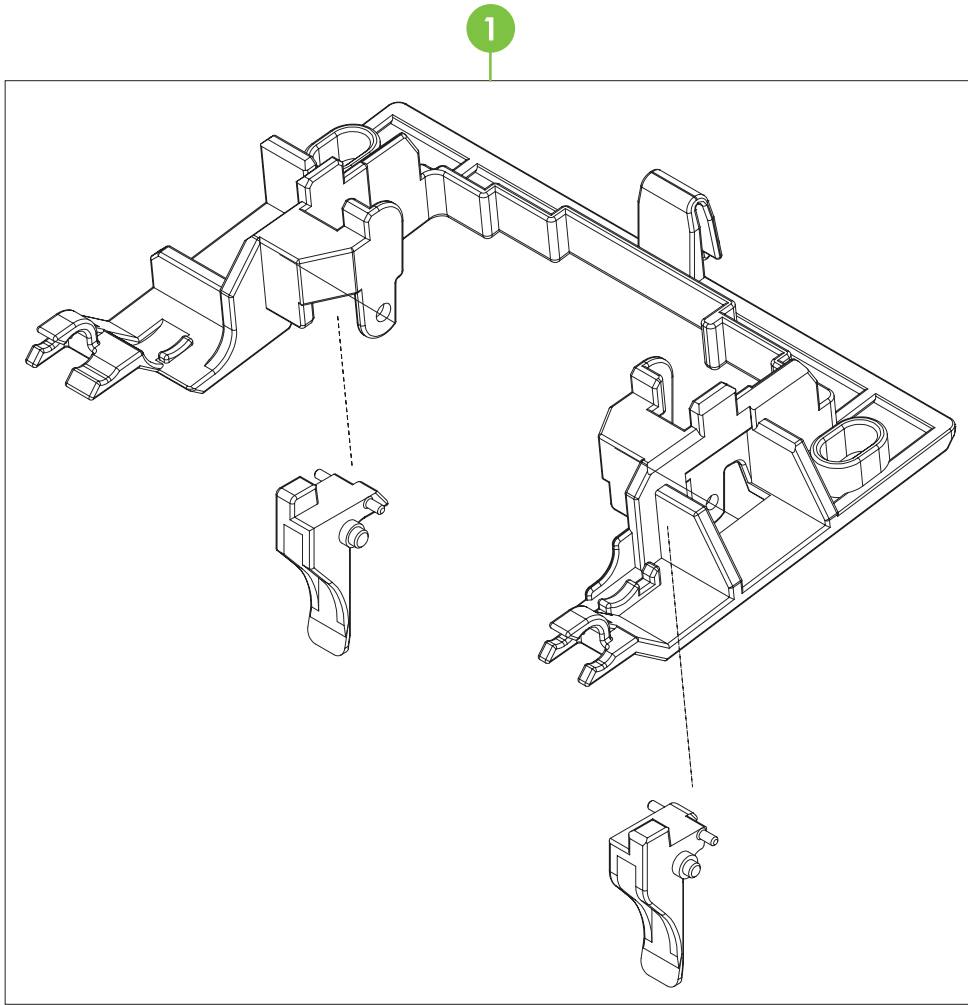


Figure 7-38 ADF pickup-roller assembly

**Table 7-38 ADF pickup-roller assembly**

Ref	Description	Part number	Qty
1	ADF pickup roller assembly	PF2282K039NI	1



**Figure 7-39** ADF pickup-roller cover



**Table 7-39 ADF pickup-roller cover**

Ref	Description	Part number	Qty
1	ADF pickup roller cover assembly	PF2282K040NI	1

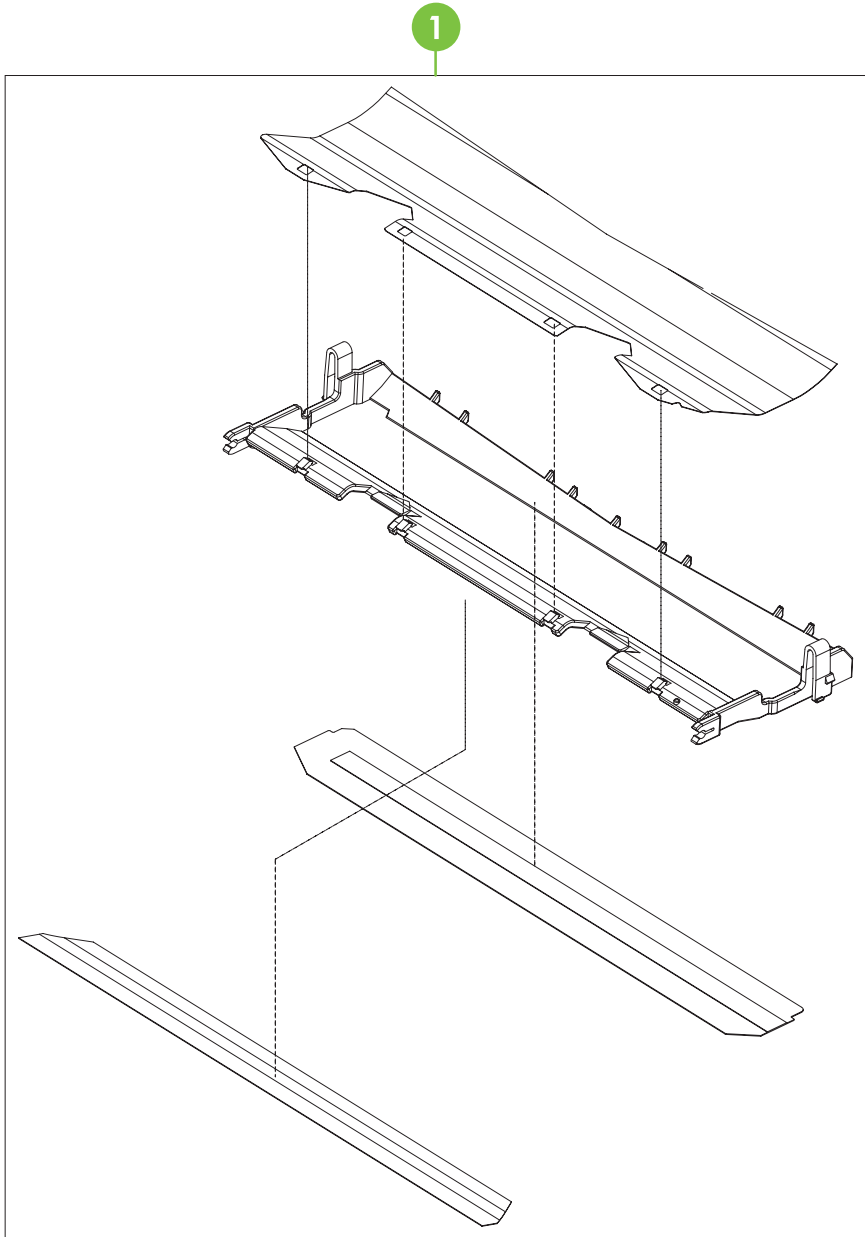
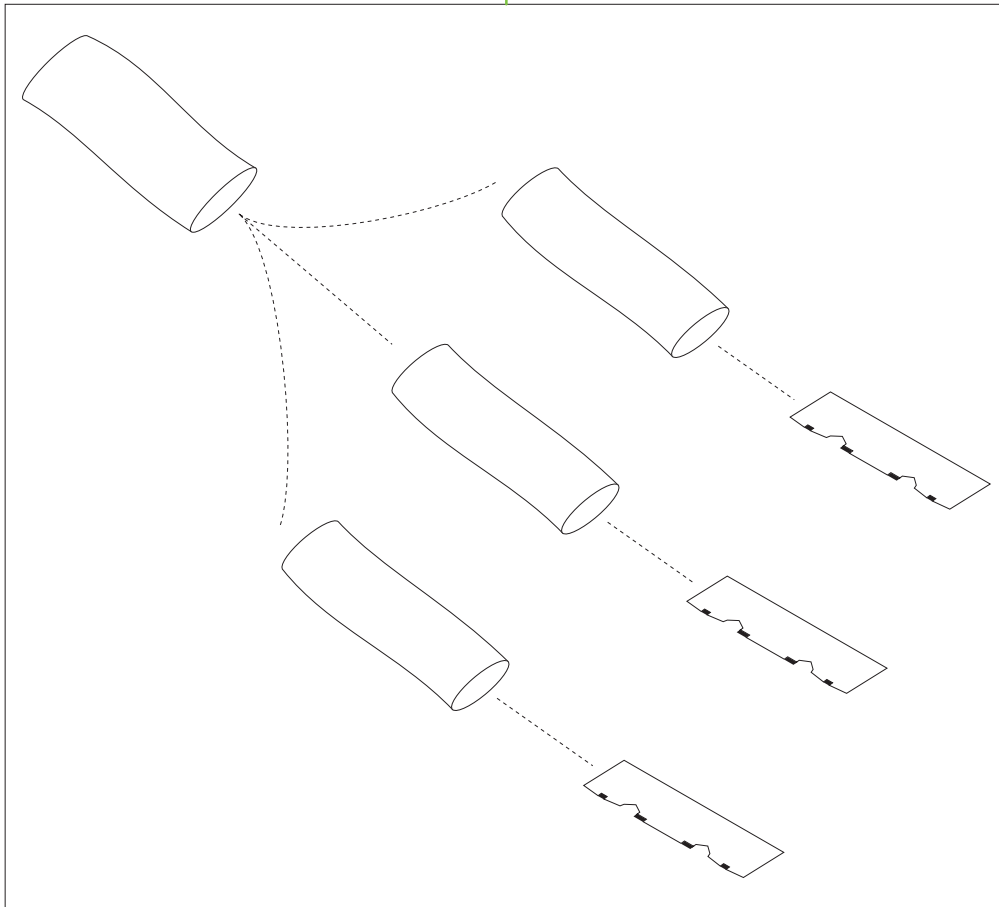


Figure 7-40 ADF mylar holder assembly

**Table 7-40 ADF mylar holder assembly**

Ref	Description	Part number	Qty
1	ADF mylar holder assembly	PF2282K043NI	1

1



**Figure 7-41** ADF mylar replacement kit

**Table 7-41 ADF mylar replacement kit**

Ref	Description	Part number	Qty
1	ADF mylar replacement kit	Q6496-67901	1

# Scanner components

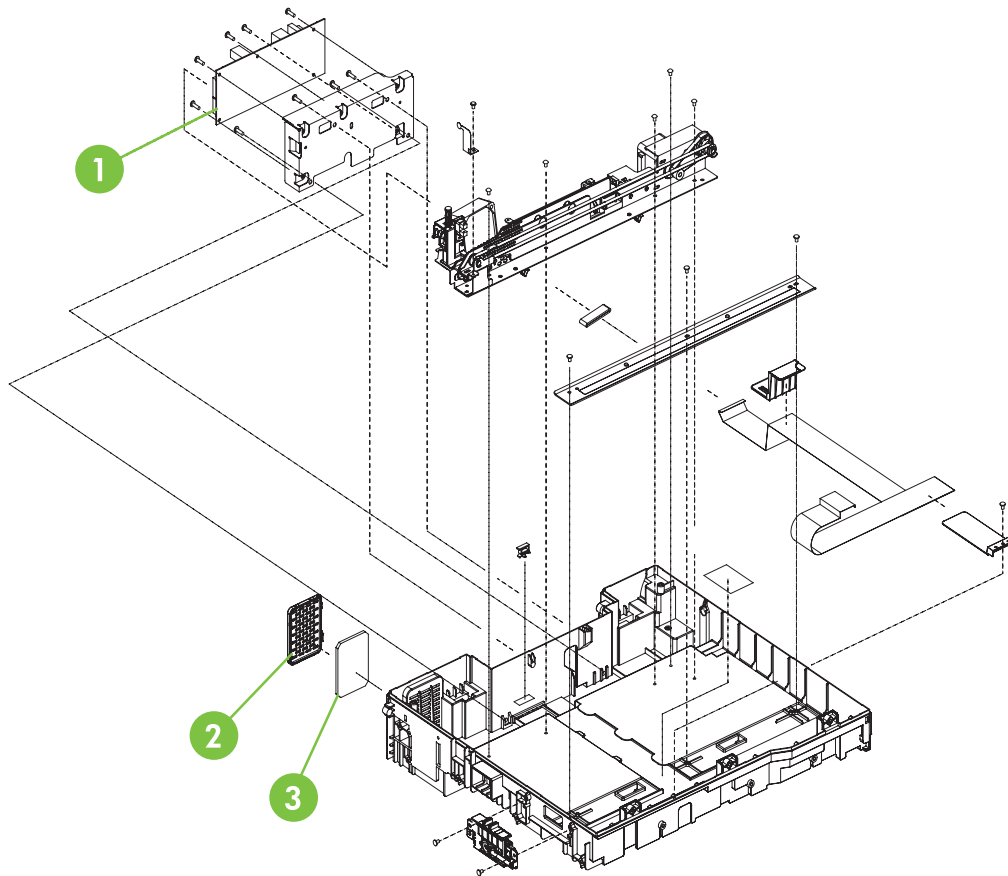


Figure 7-42 Scanner base components

**Table 7-42 Scanner base components**

Ref	Description	Part number	Qty
1	Scanner controller PCB	IR4041K512NI	1
2	Scanner fan filter cover	IR4054P217NI	1
3	Scanner fan filter	IR4041P007NI	1

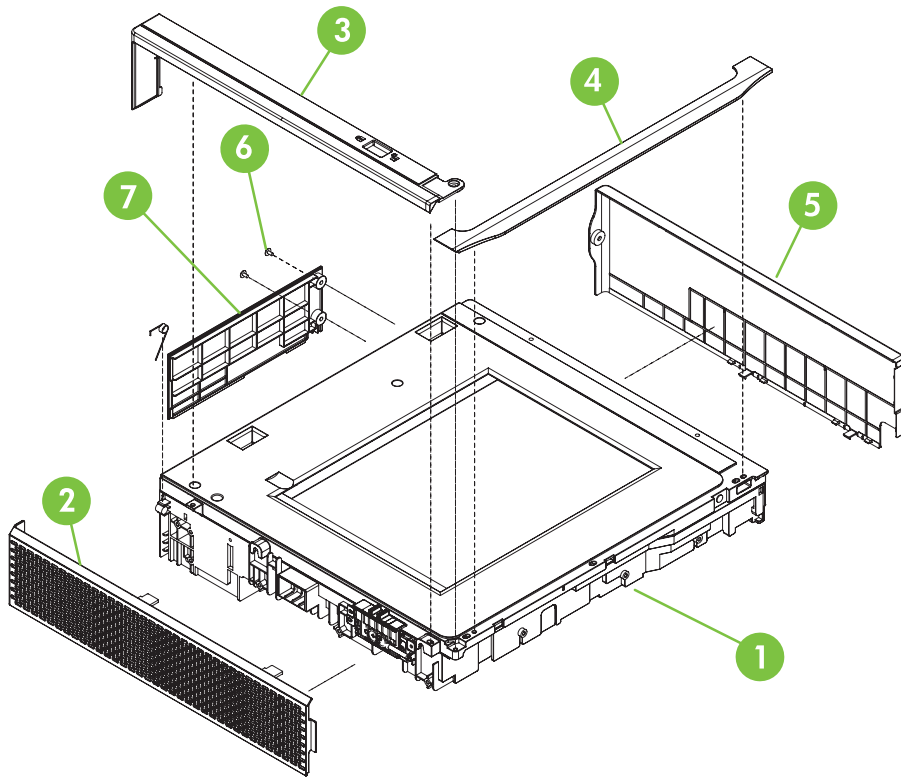


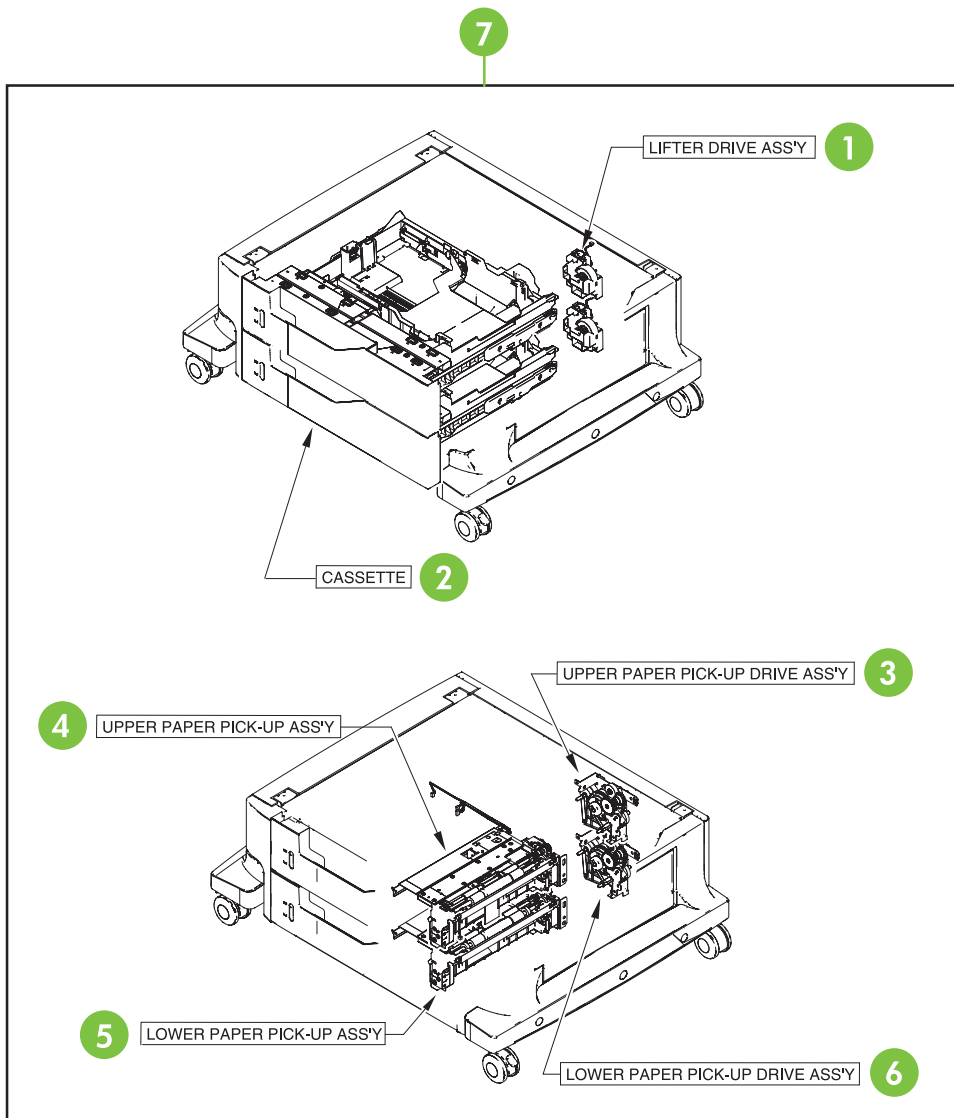
Figure 7-43 Scanner covers



**Table 7-43 Scanner covers**

Ref	Description	Part number	Qty
1	Scanner flatbed unit assembly	IR4054-SVPNI	1
2	Scanner left cover	IR4054P226NI	1
3	Scanner cartridge lock cover	IR4041P214NI	1
4	Scanner top cover flatbed flange	IR4054P215NI	1
5	Scanner right cover assembly	IR4054K100NI	1
6	Scanner screw flatbed	040100FNBBNI	1
7	Scanner rear cover	IR4054P216NI	1

## 2 X 500-sheet feeder components



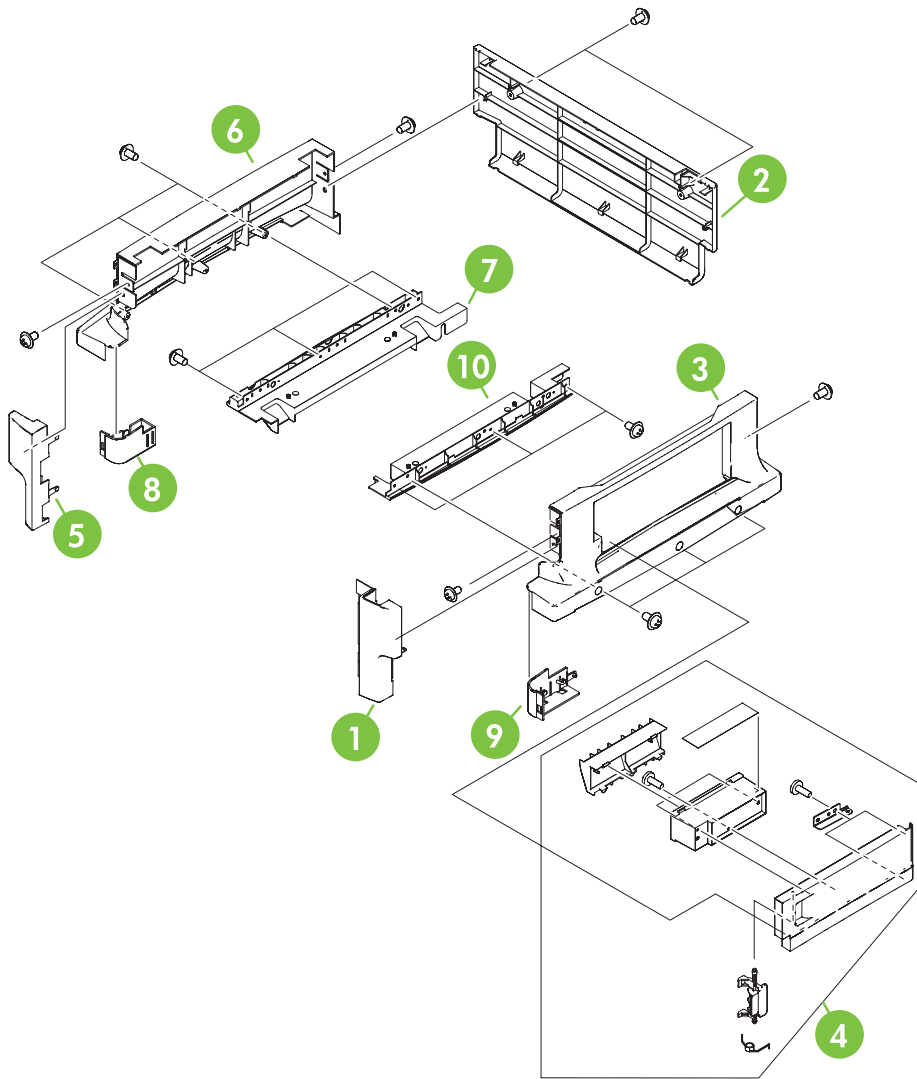
**Figure 7-44** 2 X 500-sheet paper feeder assembly locations

**Table 7-44** 2 X 500-sheet paper feeder assemblies

Item	Assembly name	Details	Part number
1	Lifter-drive assembly	See <a href="#">Figure 7-48 2 X 500-paper feeder lifter drive assembly on page 764.</a>	RM1-1750-000CN
2	Cassette	See <a href="#">Figure 7-51 2 X 500-sheet paper feeder on page 770.</a>	RM1-2219-000CN
3	Upper paper pickup assembly	See <a href="#">Figure 7-52 Upper paper pickup assembly on page 772.</a>	RM1-2232-000CN
4	Upper paper pickup drive assembly	See <a href="#">Figure 7-49 Upper paper pickup drive assembly on page 766.</a>	RM1-2229-000CN

**Table 7-44 2 X 500-sheet paper feeder assemblies (continued)**

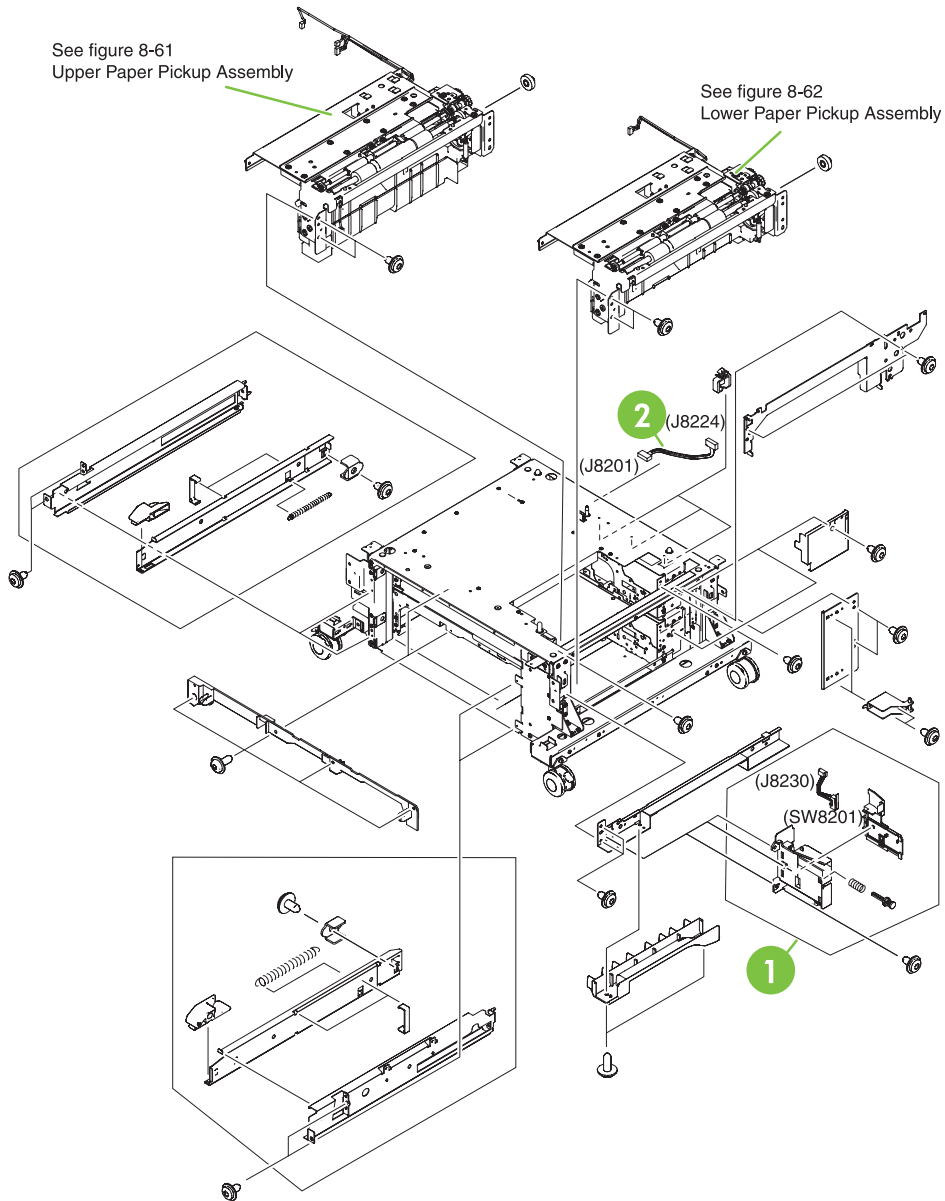
Item	Assembly name	Details	Part number
5	Lower paper pickup assembly	See <a href="#">Figure 7-53 Lower paper pickup assembly on page 774</a> .	RM1-2240-000CN
6	Lower paper pickup drive assembly	See <a href="#">Figure 7-50 Lower paper pickup drive assembly on page 768</a> .	RM1-2238-000CN
7	2 X 500-sheet paper feeder assembly (complete assembly)	See <a href="#">Figure 7-44 2 X 500-sheet paper feeder assembly locations on page 756</a> .	R96-5062-000CN



**Figure 7-45** 2 X 500-sheet feeder external components

**Table 7-45 2 X 500-sheet feeder external components**

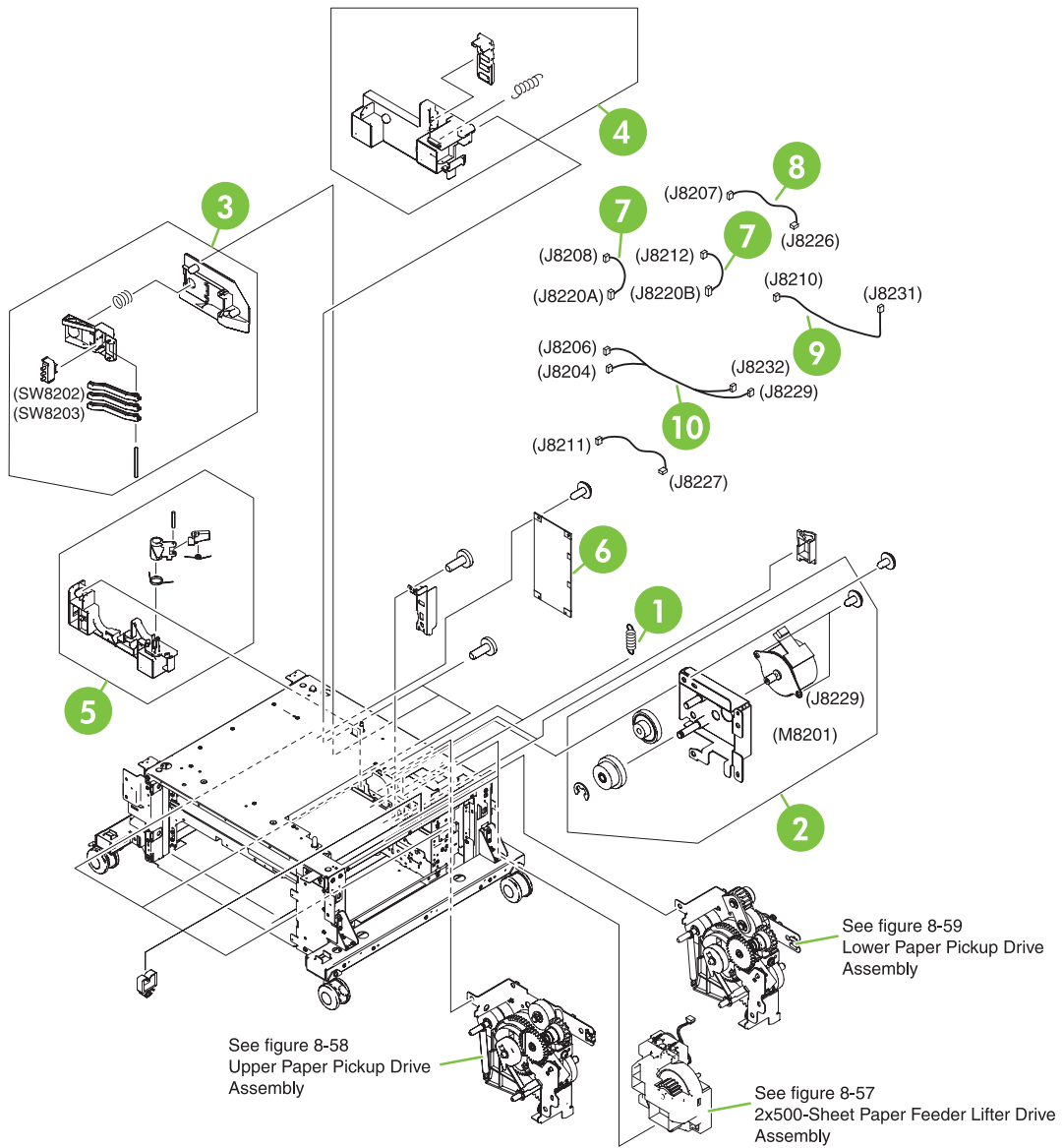
Ref	Description	Part number	Qty
1	Right front cover	RC1-6047-000CN	1
2	Rear cover	RC1-6048-000CN	1
3	Right cover	RC1-6044-000CN	1
4	Right lower cover assembly	RM1-2241-000CN	1
5	Left front cover	RC1-6046-000CN	1
6	Left cover	RC1-6042-000CN	1
7	Left lower cover	RC1-6043-000CN	1
8	Left caster cover	RC1-6067-000CN	1
9	Right caster cover	RC1-6068-000CN	1
10	Right lower cover	RC1-6045-000CN	1



**Figure 7-46** 2 X 500-sheet paper feeder internal components (1 of 2)

**Table 7-46 2 X 500-sheet paper feeder internal components (1 of 2)**

Ref	Description	Part number	Qty
1	Right switch assembly	RM1-2226-000CN	1
2	Cable interface	RM1-2373-000CN	1



**Figure 7-47** 2 X 500-sheet paper feeder internal components (2 of 2)



**Table 7-47 2 X 500-sheet paper feeder internal components (2 of 2)**

Ref	Description	Part number	Qty
1	Spring tension	RC1-0198-000CN	2
2	Motor assembly	RM1-2231-000CN	1
3	Size sensing assembly	RM1-0041-000CN	2
4	Left reg. adjustment assembly	RM1-1007-000CN	2
5	Kicker assembly	RM1-1008-000CN	2
6	Paper feeder driver PCB assembly	RM1-2365-000CN	1
7	Cassette size cable	RM1-2366-000CN	2
8	Motor cable	RM1-2369-000CN	2
9	Solenoid cable	RM1-2368-000CN	1
10	Solenoid cable	RM1-2371-000CN	1

1

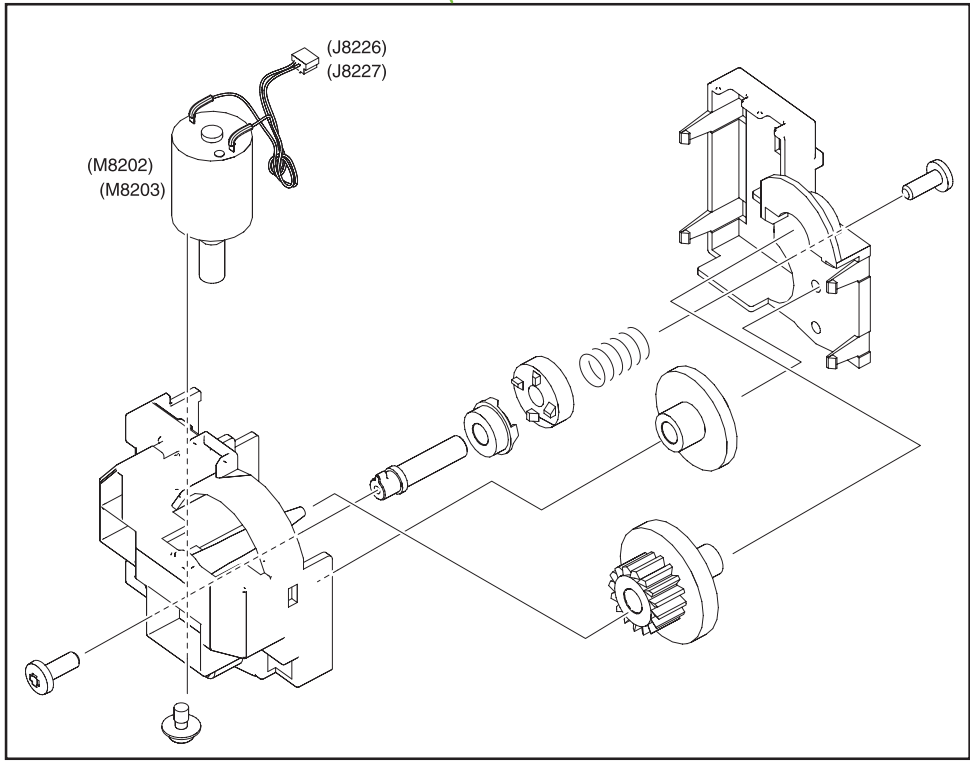


Figure 7-48 2 X 500-paper feeder lifter drive assembly

**Table 7-48 500-sheet feeder lifter drive assembly**

Ref	Description	Part number	Qty
1	Lifter-drive assembly	RM1-1750-000CN	2

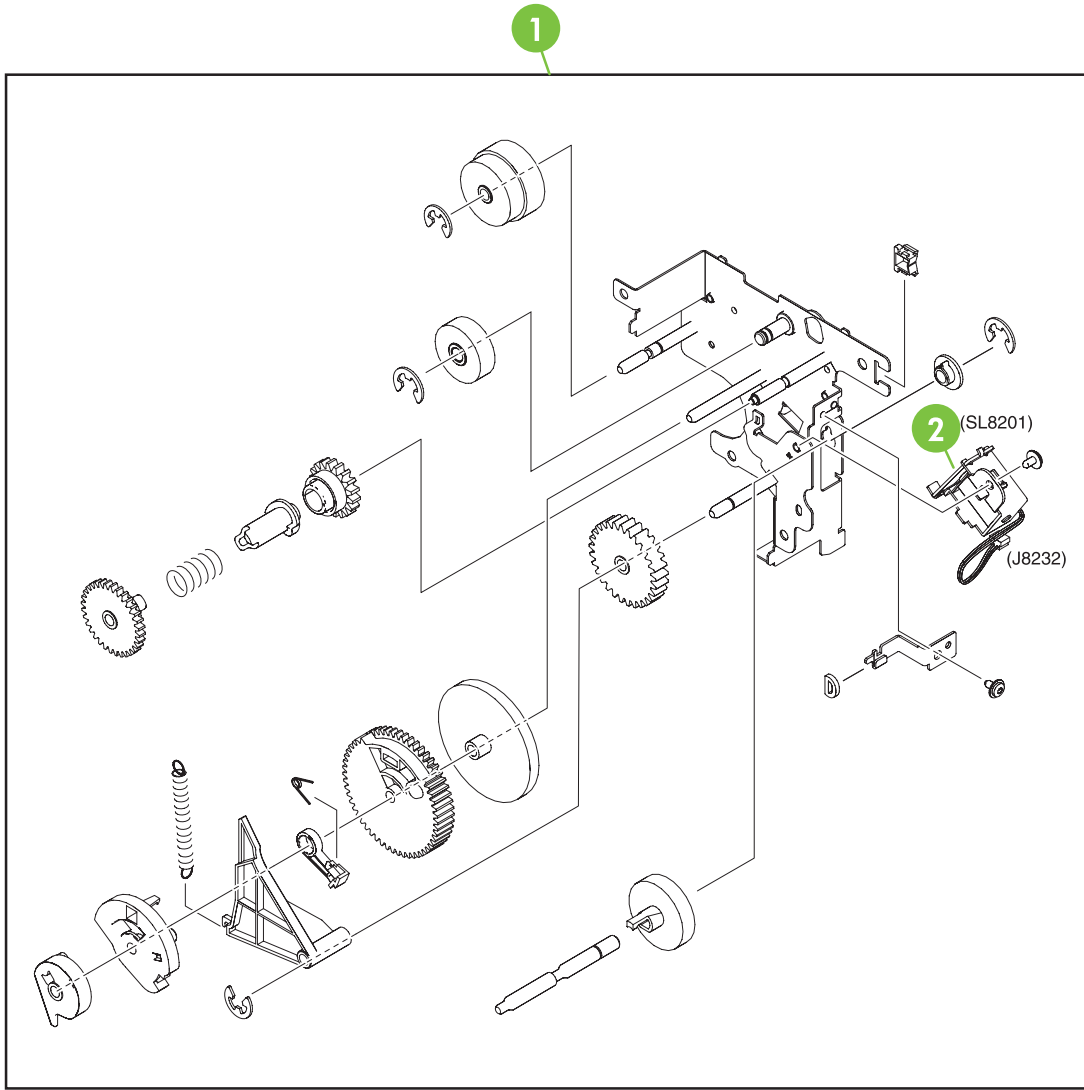
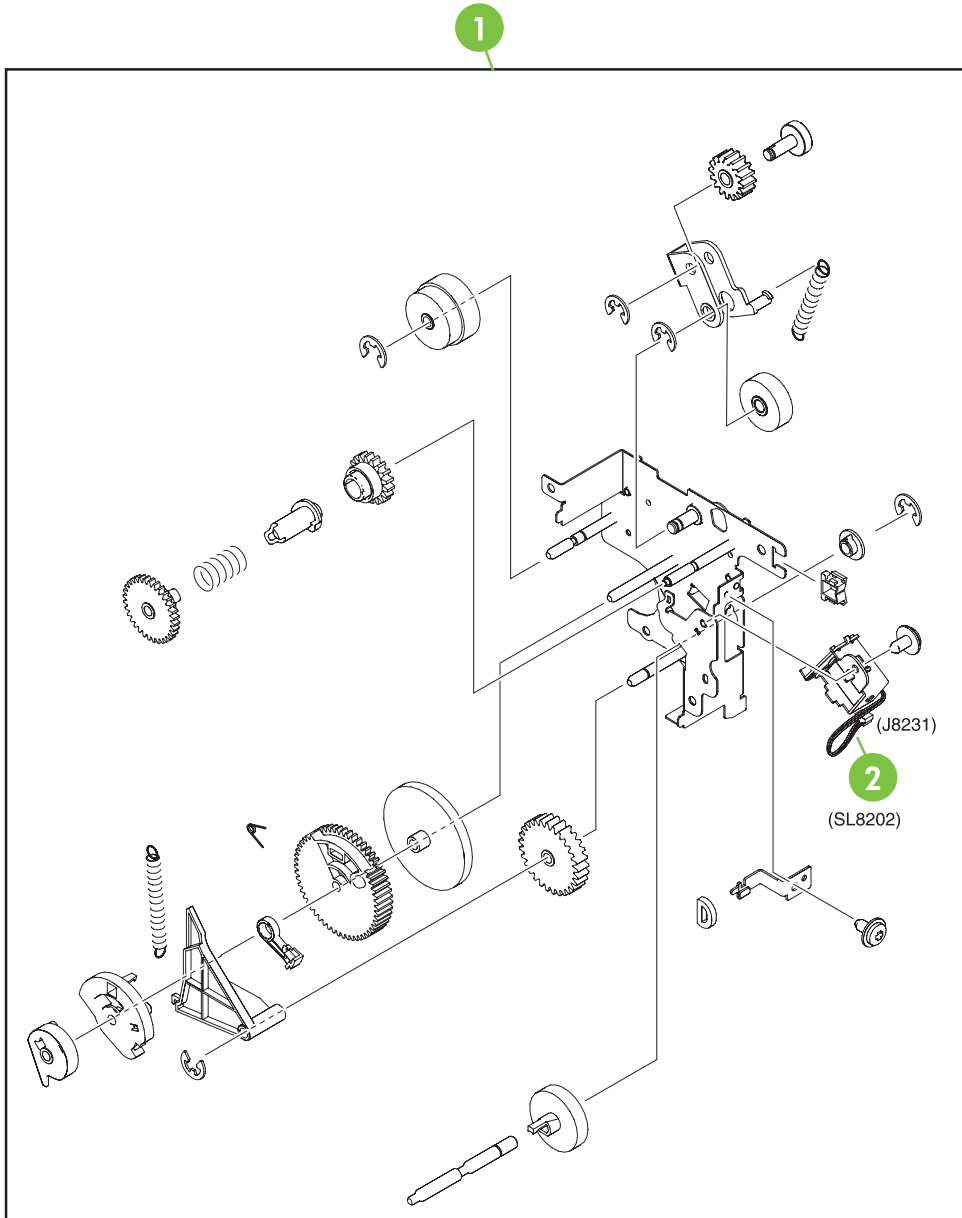


Figure 7-49 Upper paper pickup drive assembly

**Table 7-49 Upper paper pickup drive assembly**

Ref	Description	Part number	Qty
1	Upper paper pickup drive assembly	RM1-2229-000CN	1
2	Solenoid	RK2-0624-000CN	1



**Figure 7-50** Lower paper pickup drive assembly

**Table 7-50 Lower paper pickup drive assembly**

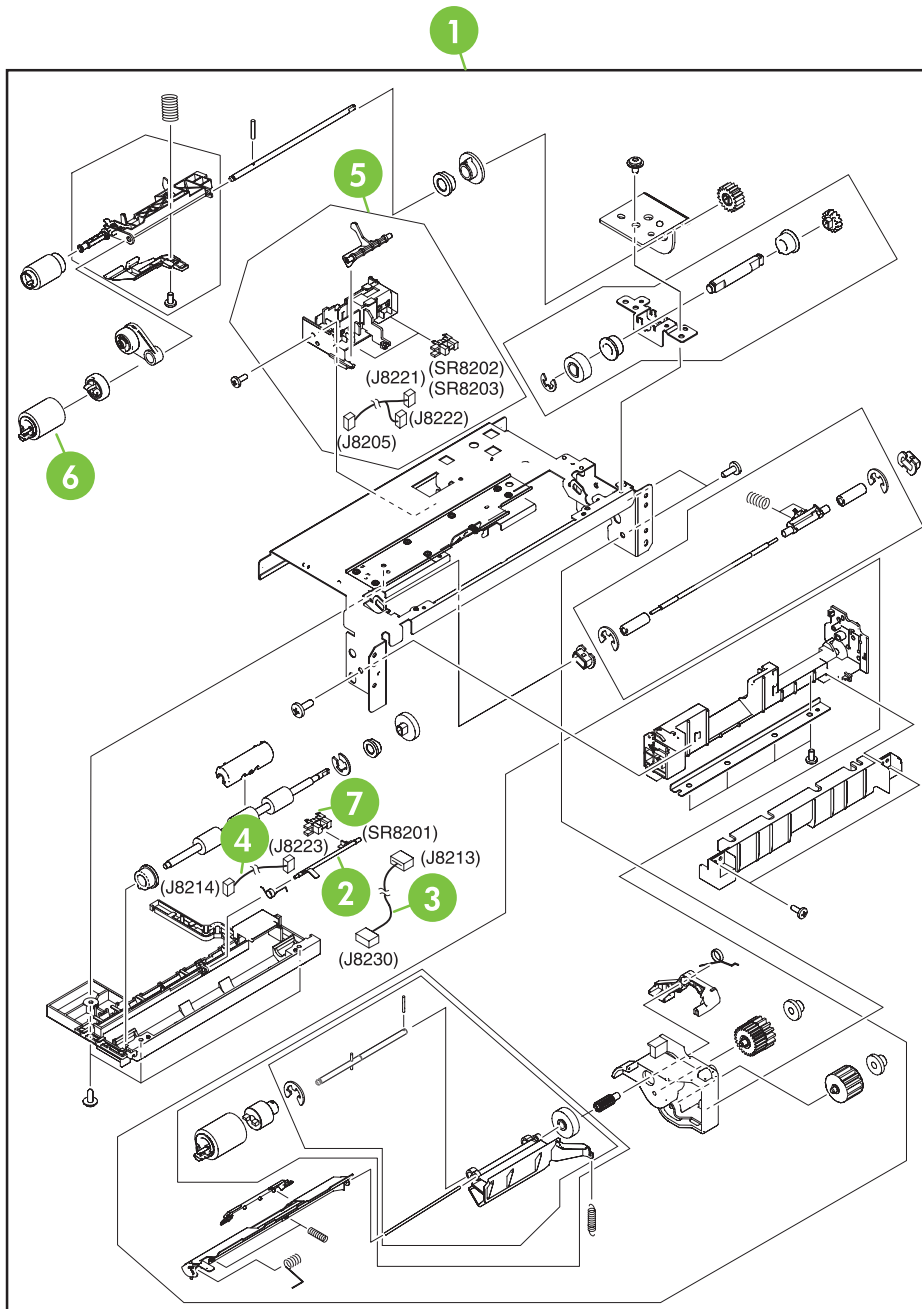
Ref	Description	Part number	Qty
1	Lower pickup drive assembly	RM1-2238-000CN	1
2	Solenoid	RK2-0624-000CN	1





**Table 7-51 2 X 500-sheet paper feeder cassette**

Ref	Description	Part number	Qty
1	2 X 500-sheet paper feeder cassette case unit	RM1-2219-000CN	1



**Figure 7-52** Upper paper pickup assembly

**Table 7-52 Upper paper pickup assembly**

Ref	Description	Part number	Qty
1	Upper paper pickup assembly	RM1-2232-000CN	1
2	Jam sensor flag	RC1-6012-000CN	1
3	Door switch cable	RM1-2370-000CN	1
4	Paper feed sensor cable	RM1-2372-000CN	1
5	Paper sensor unit	RM1-2249-000CN	1
6	Paper feed roller assembly	RM1-0037-020CN	1
7	Photo interrupter, TLP1243	WG8-5696-000CN	1

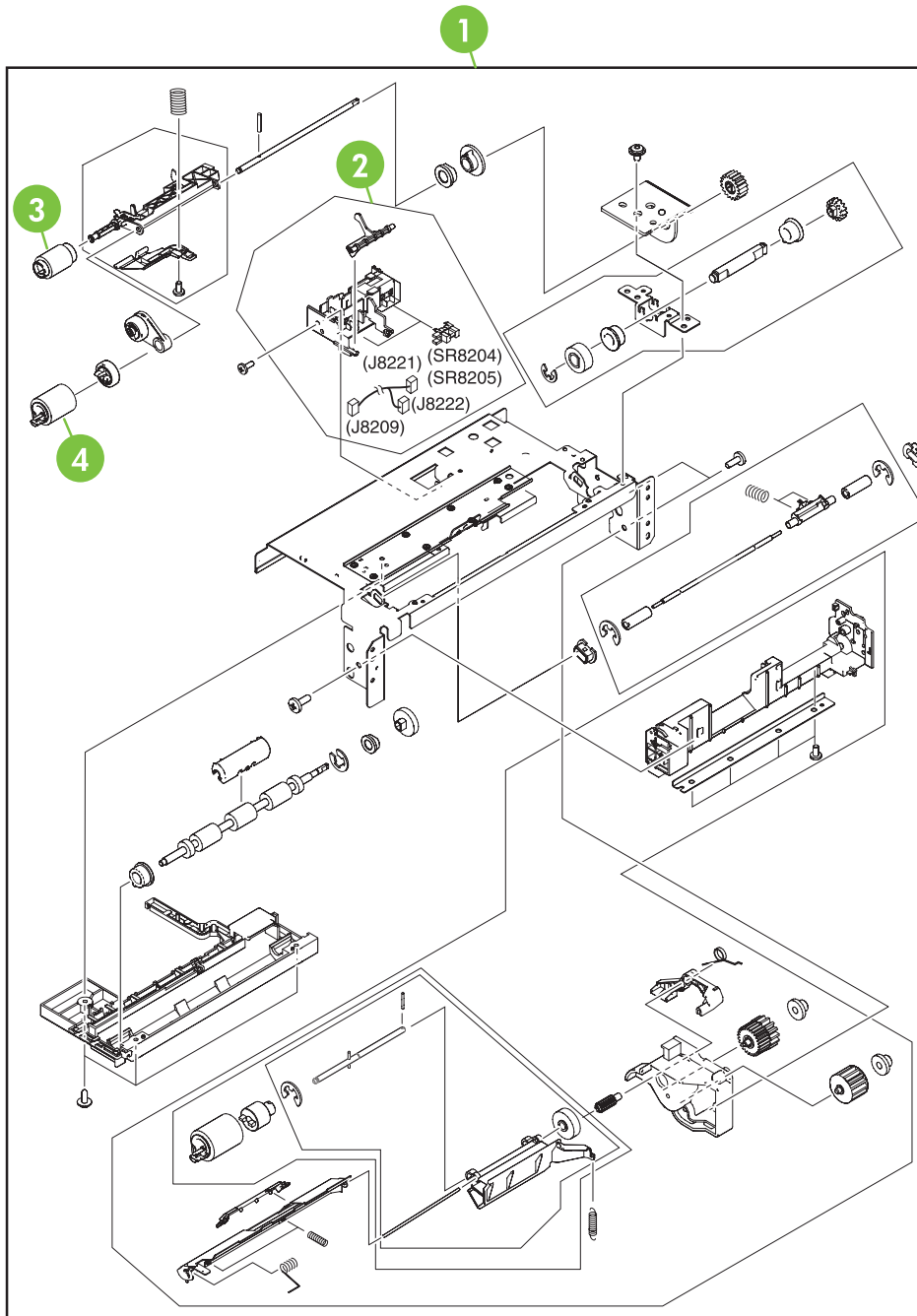


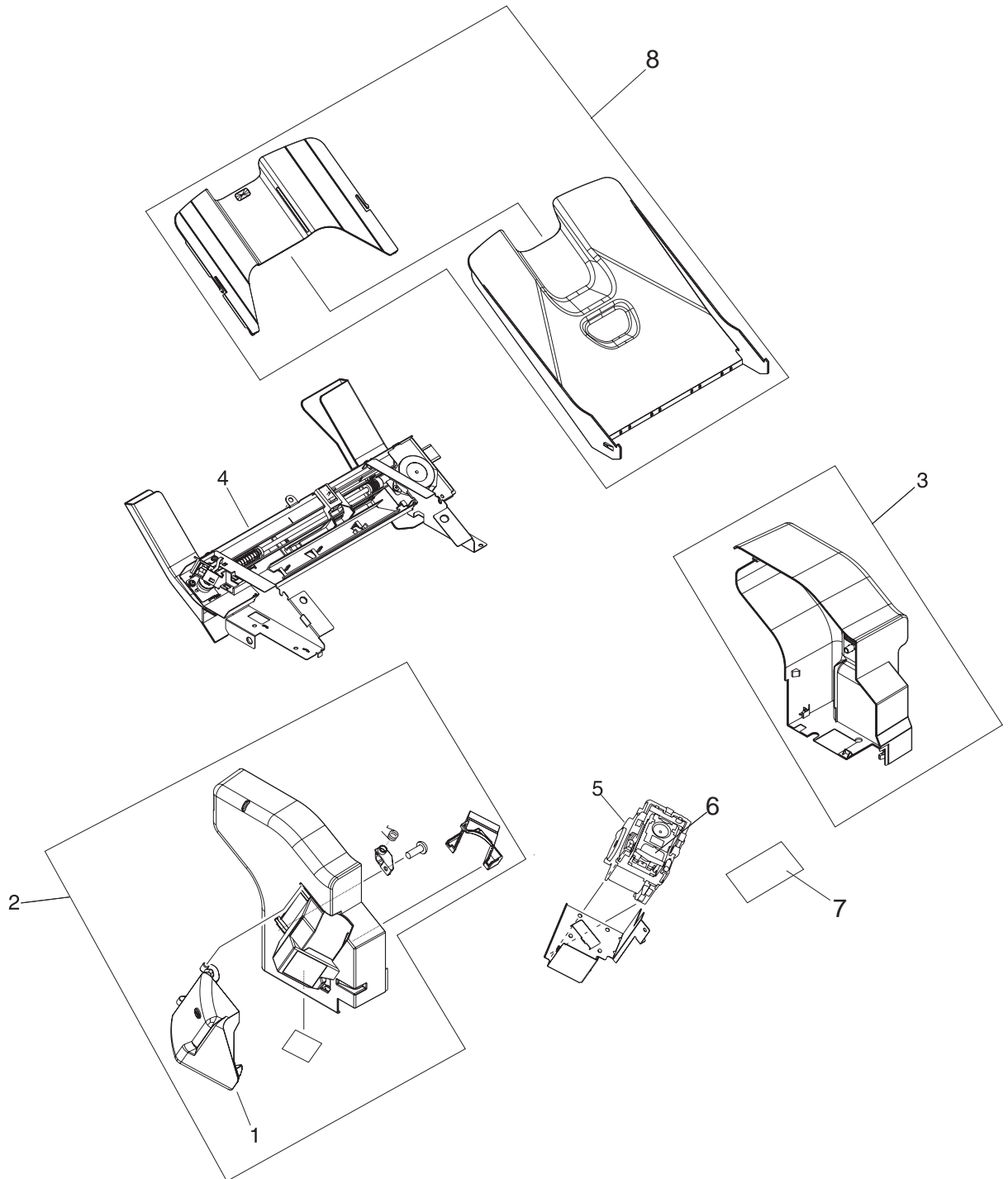
Figure 7-53 Lower paper pickup assembly

**Table 7-53 Lower paper pickup assembly**

Ref	Description	Part number	Qty
1	Lower paper pickup assembly	RM1-2240-000CN	1
2	Paper sensor unit	RM1-2249-000CN	1
3	Paper pickup roller assembly	RM1-0036-020CN	1
4	Paper feed roller assembly	RM1-0037-020CN	1

# Optional devices

## Stapler/stacker

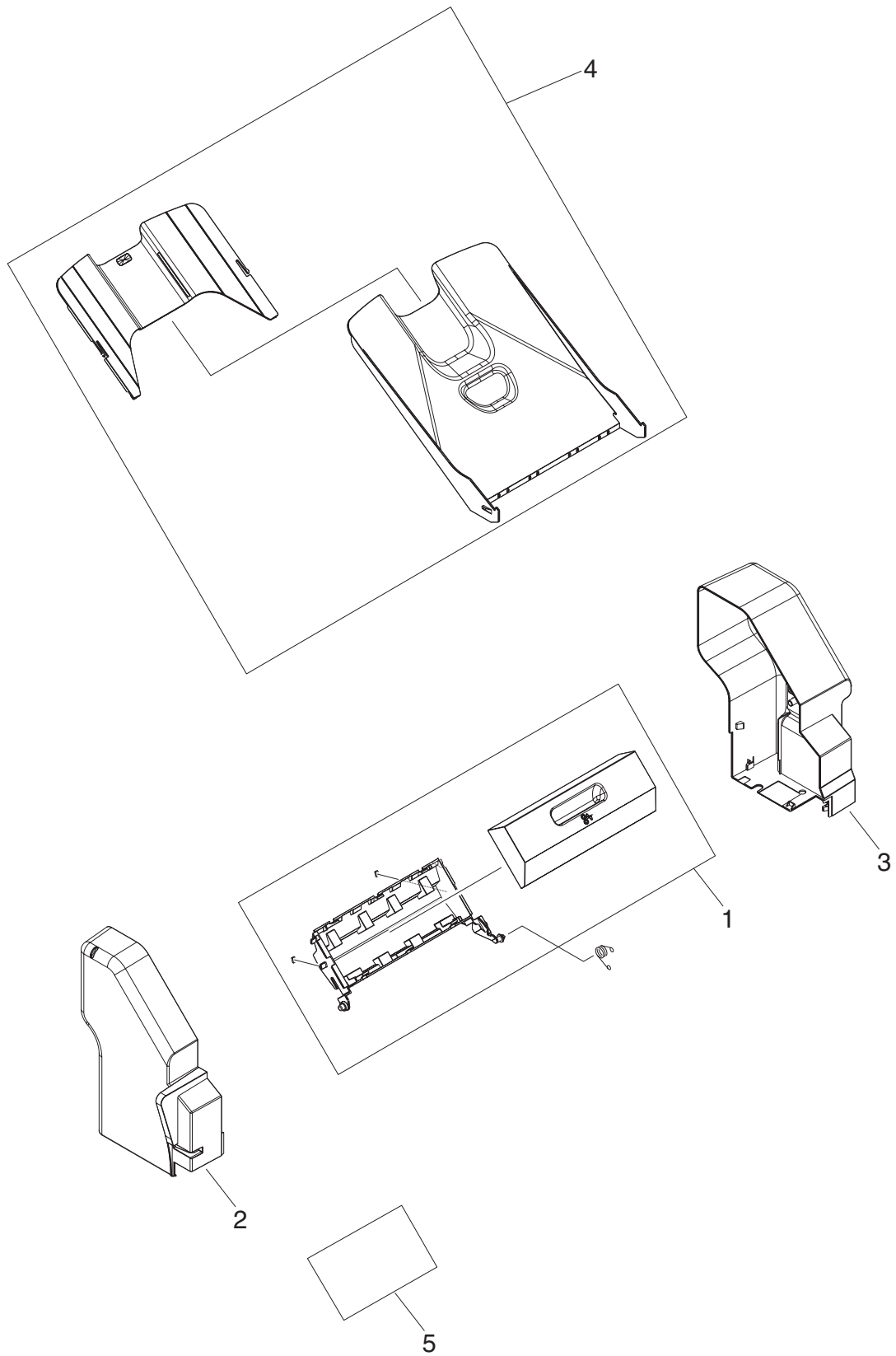


**Figure 7-54** Stapler/stacker accessory

**Table 7-54 Stapler/stacker accessory**

Reference	Description	Part number	Quantity
	500 sheet stapler/stacker replacement unit	Q5691-67901	1
1	Door, jam access	RC1-2597-000CN	1
2	Front cover	RM1-0942-000CN	1
3	Rear cover	RC1-2598-000CN	1
4	Jog guide assembly	RM1-0947-000CN	1
5	Stapler unit	RK2-0507-000CN	1
6	Staple cartridge	C8085-60541	1
7	Stapler/stacker driver board	RM1-1123-000CN	1
8	Paper delivery tray assembly	RM1-0940-000CN	1

## 3-bin mailbox



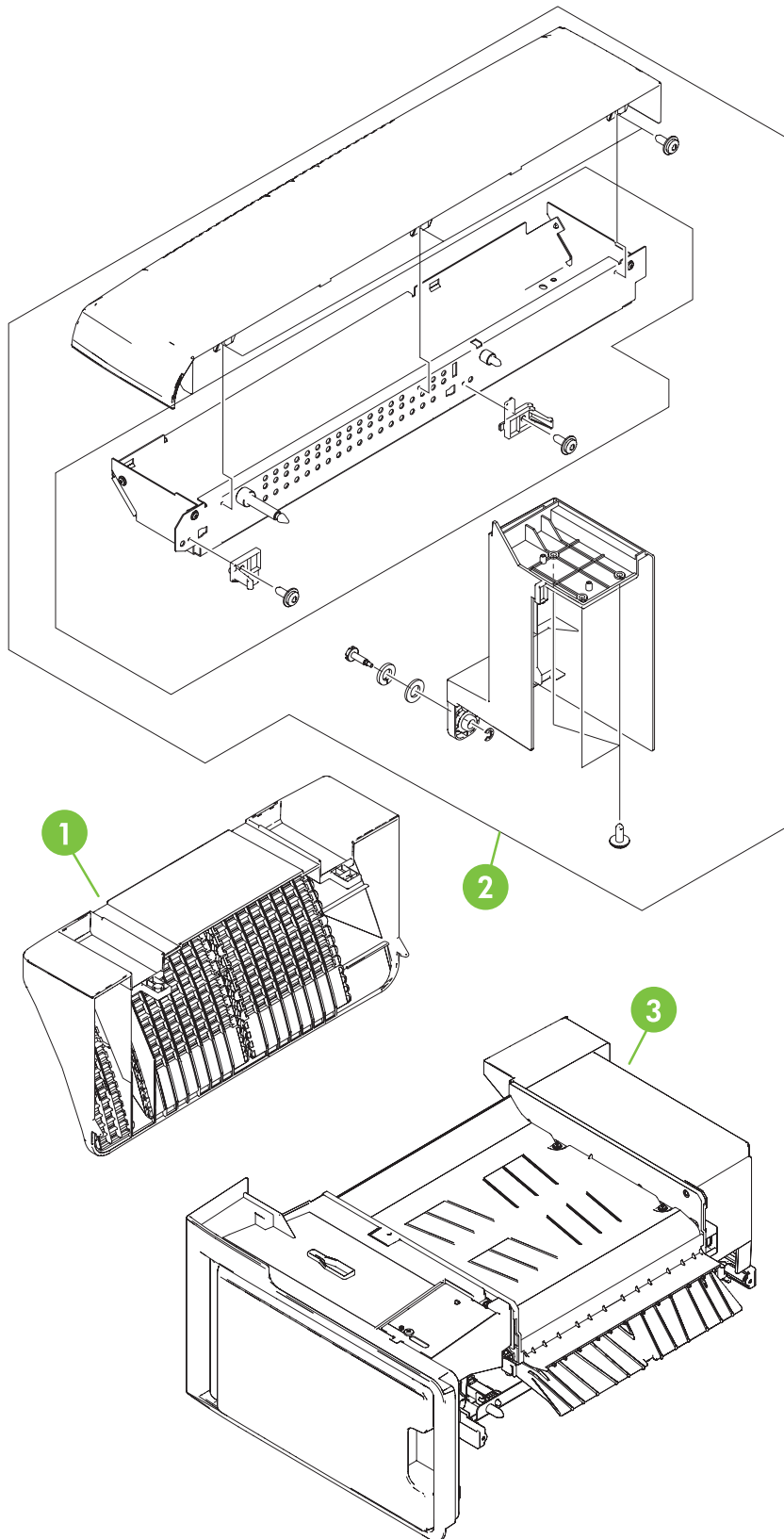
**Figure 7-55** 3-bin mailbox accessory



**Table 7-55 3-bin mailbox accessory**

Reference	Description	Part number	Quantity
	3-bin mailbox replacement unit	Q5692-67901	1
1	Jam-access door, 3-bin mailbox	RM1-0981-000CN	1
2	Front cover	RM1-0985-000CN	1
3	Rear cover	RC1-2691-000CN	1
4	Paper delivery tray assembly	RM1-0940-000CN	1
5	MBM driver board	RM1-1124-000CN	1

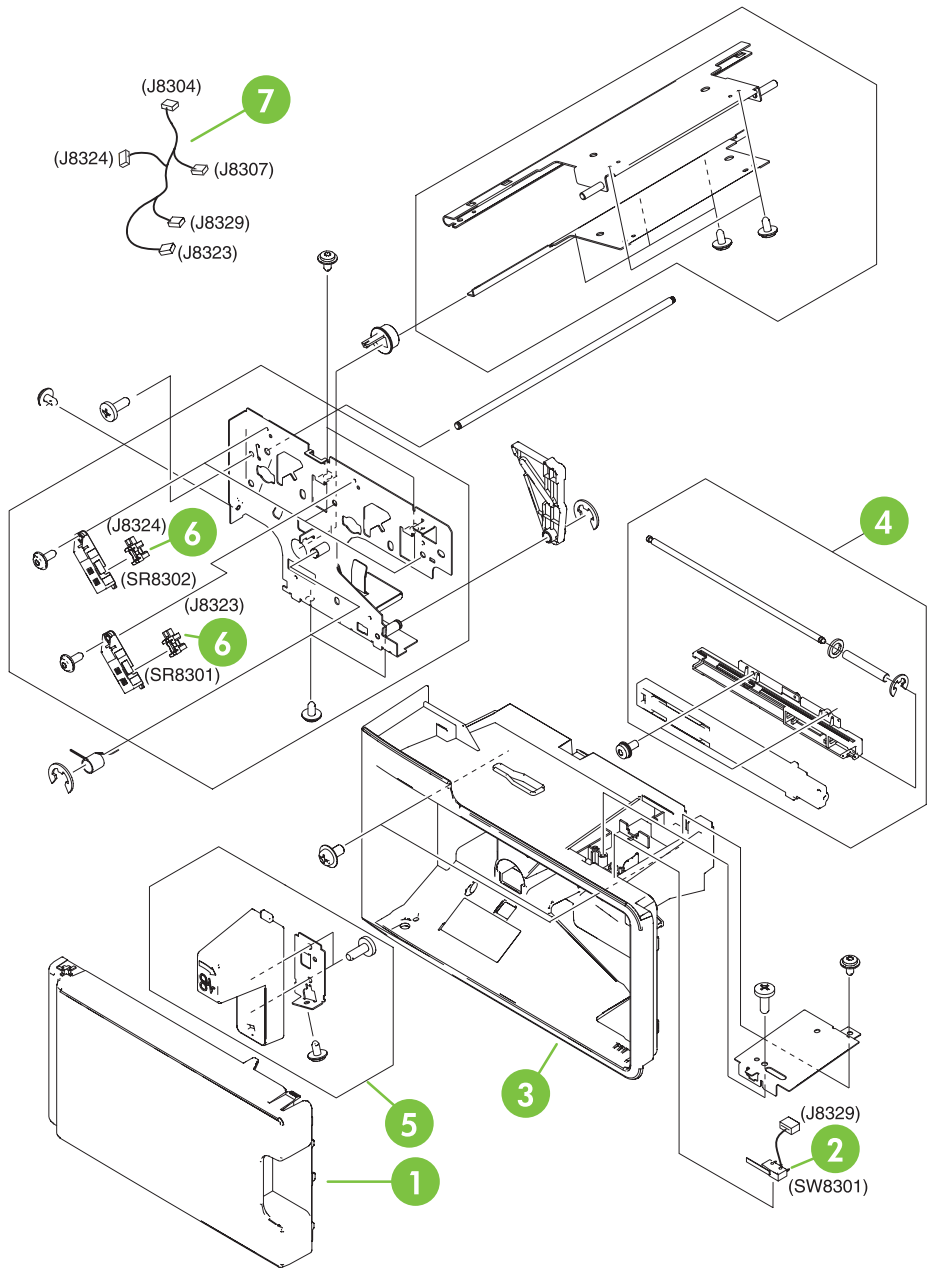
## Intermediate paper transfer unit (IPTU)



**Figure 7-56** External covers and panels

**Table 7-56 External covers and panels**

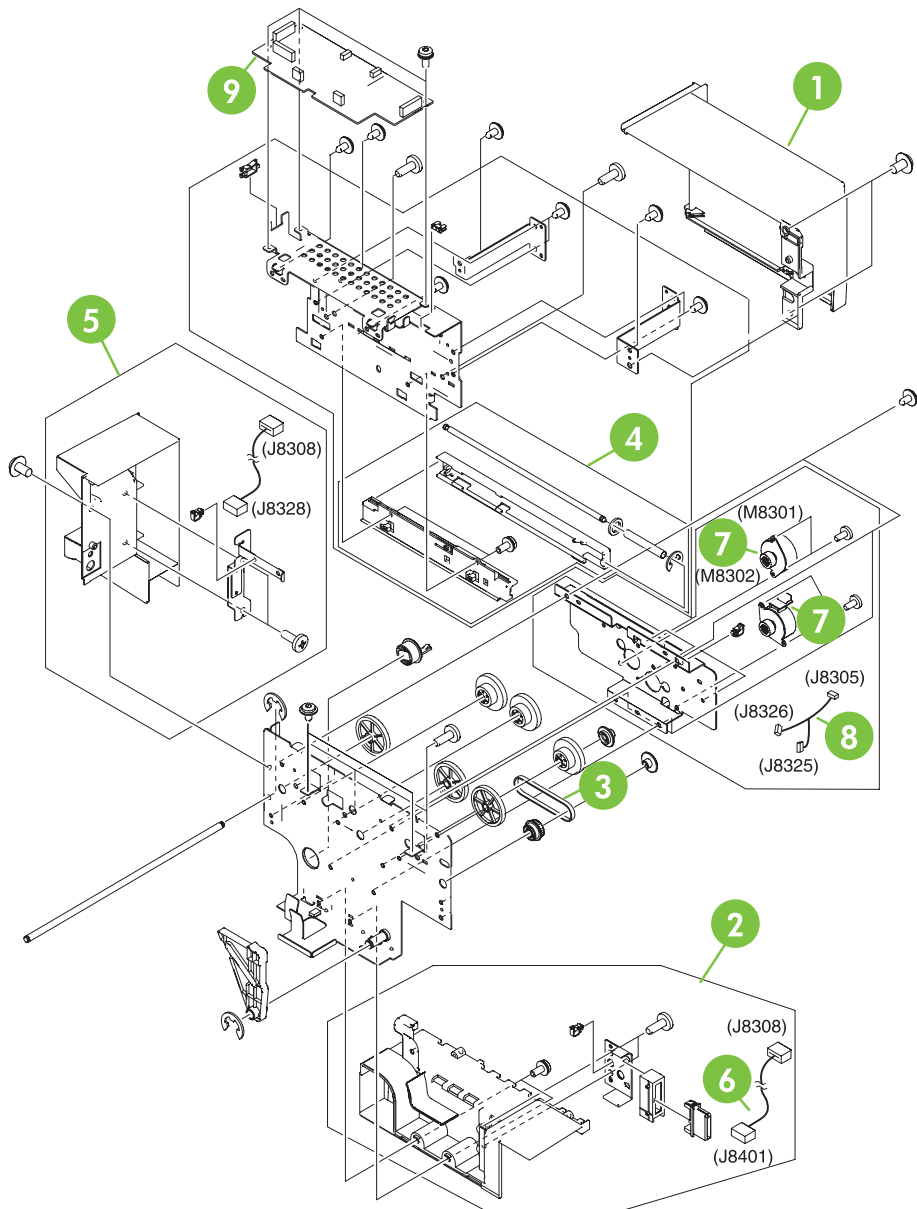
Ref	Description	Part number	Qty
1	Lower cover	RL1-0891-000CN	1
2	Top cover assembly	RM1-2295-000CN	1
3	Intermediate feed assembly	RM1-2279-000CN	1



**Figure 7-57** Internal components (1 of 2)

**Table 7-57 Internal components (1 of 2)**

Ref	Description	Part number	Qty
1	Front door	RC1-6158-000CN	1
2	Door switch	RK2-0807-000CN	1
3	Front cover	RL1-0892-000CN	1
4	Front rail assembly	RM1-2291-000CN	1
5	Jam clearing lever assembly	RM1-2294-000CN	1
6	Photo interrupter	WG8-5696-000CN	2
7	Paper sensor cable assembly	RM1-2382-000CN	2



**Figure 7-58** Internal components (2 of 2)

**Table 7-58 Internal components (2 of 2)**

Ref	Description	Part number	Qty
1	Rear cover	RC1-6154-000CN	1
2	Drawer connector assembly	RM1-2288-000CN	1
3	Timing belt	XF2-1108-440CN	1
4	Rear rail assembly	RM1-2290-000CN	1
5	Connector cover assembly	RM1-2293-000CN	1
6	Drawer connector cable assembly	RM1-2384-000CN	1
7	DC stepping motor	RK2-0812-000CN	2
8	Motor cable assembly	RM1-2381-000CN	1
9	IPTU driver PCB assembly	RM1-2380-000CN	1