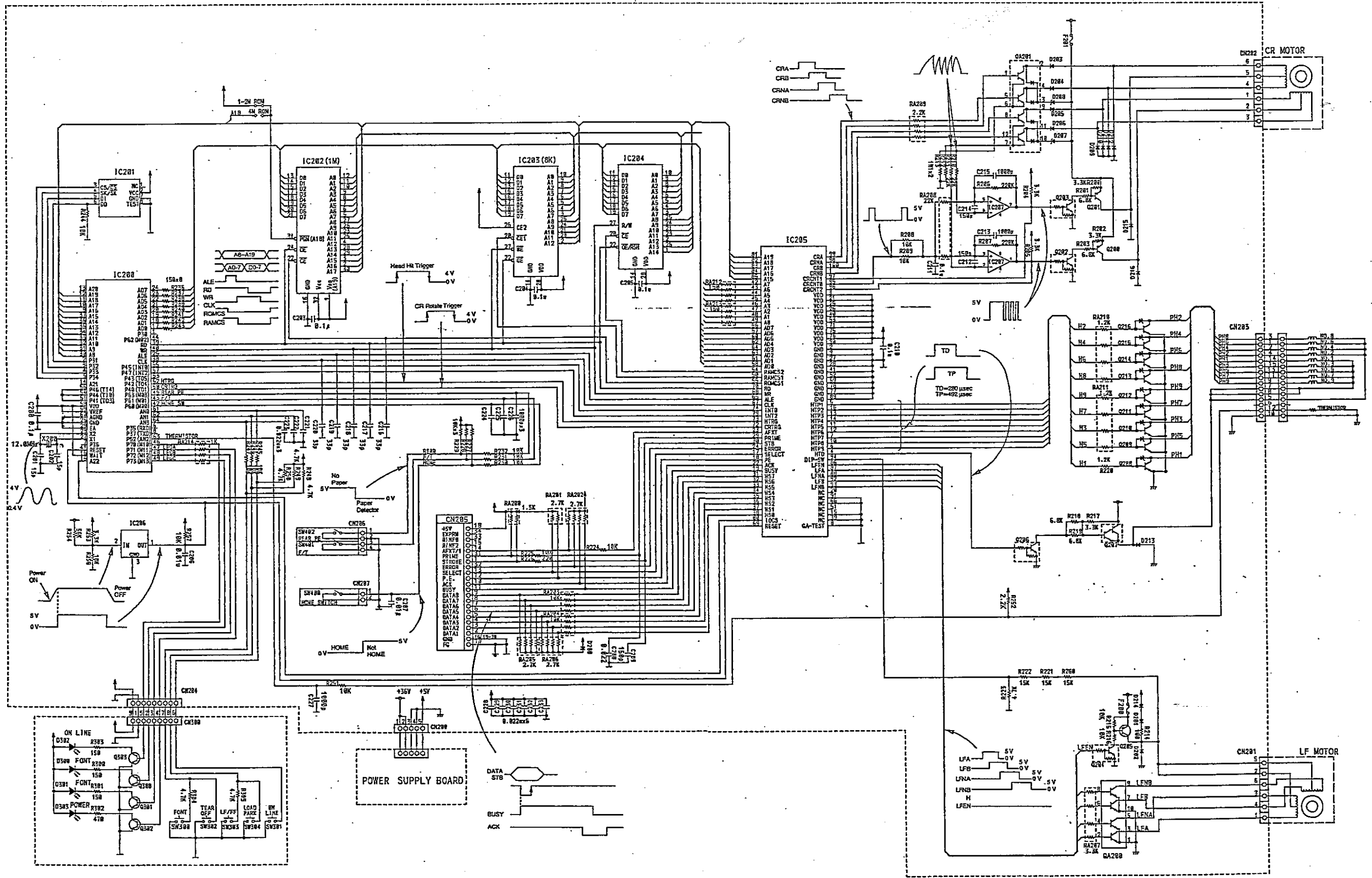


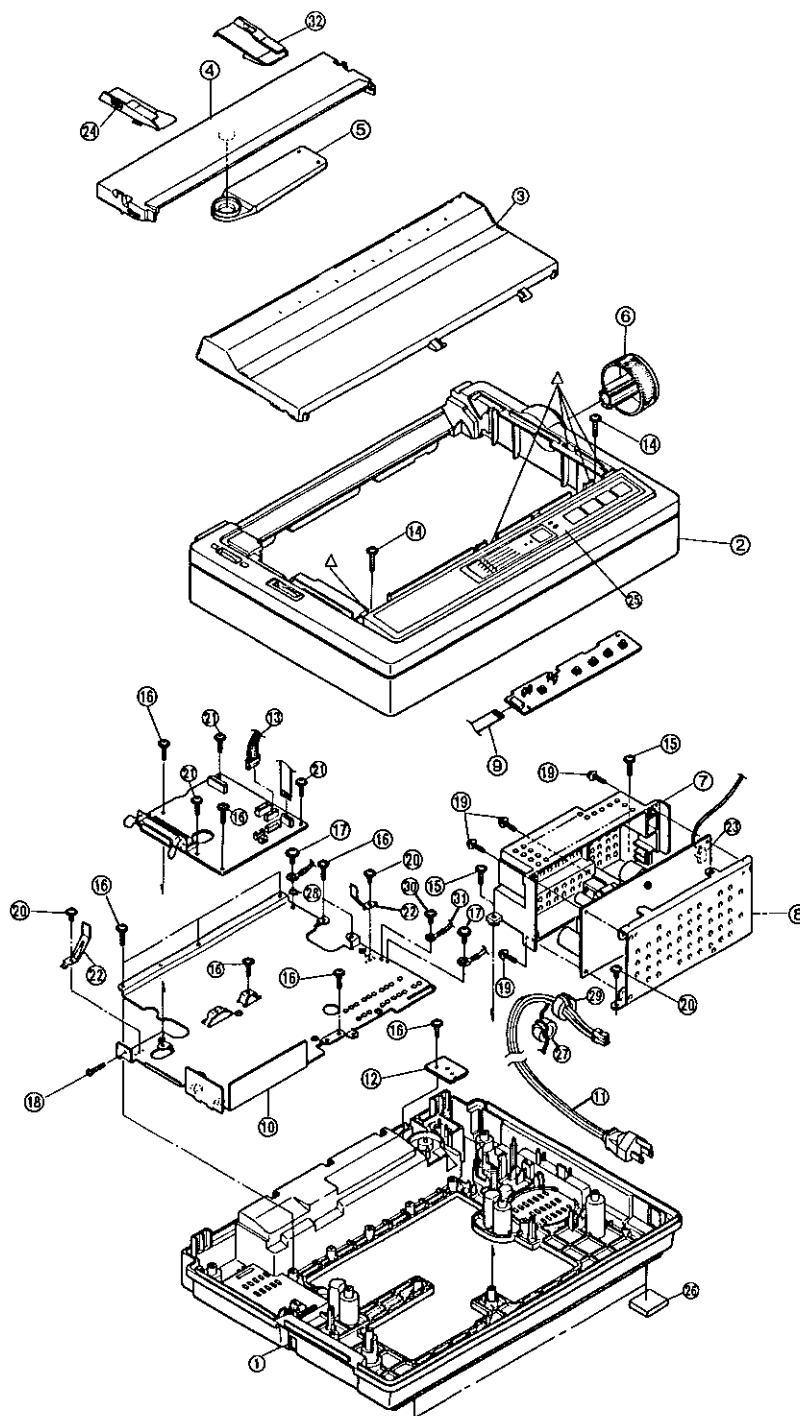
8.6 Schematic Diagram
[Main Board]



9. Parts List and Lubrication

- Notes:
1. Important safety notice.
Components identified by Δ mark have special characteristics important for safety. When replacing any of these components, use only manufacturer's specified parts.
 2. The S mark is for service standard parts and may differ from production parts.
 3. The marking (RTL) indicates that the Retention Time is limited for this item. After the discontinuation of this assembly in production, the item will continue to be available for a specific period of time. The retention period of availability is dependent on the type of assembly, and in accordance with the laws governing part and product retention. After the end of this period, the assembly will no longer be available.

9.1 Cabinet



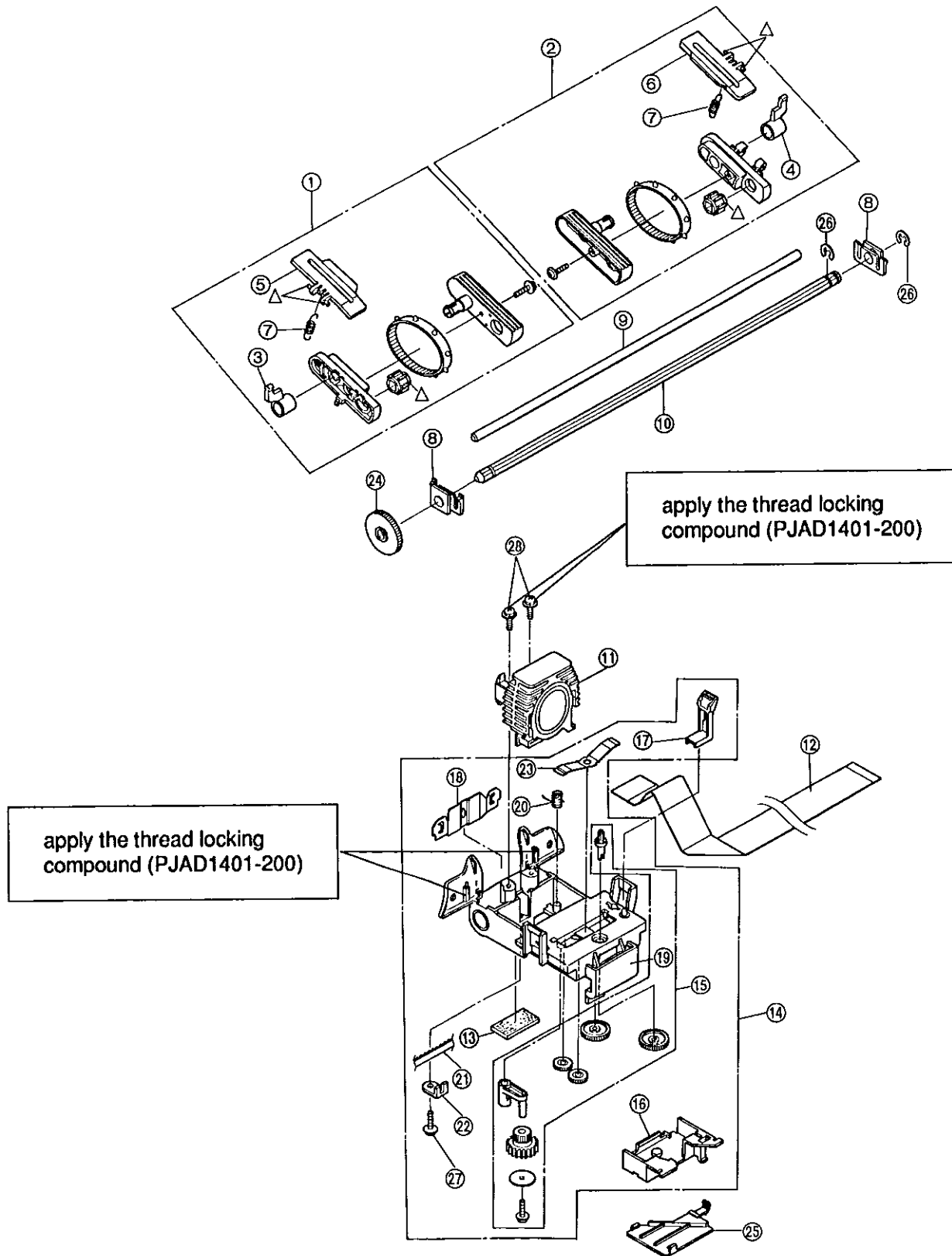
=Lubrication=
 Δ PJOL-SG3451

(Cabinet)

Ref.No.	Part No.	Part Name and Description	Per Set	Remarks
1	PJYMP1150U	Lower Cabinet Assembly [U] <i>1st - 1st part Greece</i>	1	
1	PJYMP1150F	Lower Cabinet Assembly [F] [ET] [NE] [PG] [V] [GR]	1	
1	PJYMP1150SP	Lower Cabinet Assembly [SP] <i>ant.</i>	1	
2	PJYFP1150M	Upper Cabinet Assembly	1	
3	PJKK125Z	Smoked Plastic Cover	1	
4	PJKK133Y	Top Cover	1	
5	PJUG146Z	Paper Guide	1	
6	PJBN32Z	Platen Knob	1	
7	PJMX151Y	PCB Enclosure Cover	1	
8	PJMC187Z	PCB Enclosure Base	1	
9	PJJE323Z	Flat Cable (Control Panel)	1	
10	PJMC186W	Shield Plate	1	
11	PJWAP1150U	AC Cord [U]	1	
11	PJWAP1150G	AC Cord [F] [ET] [NE] [PG] [SP] [V] [GR]	1	
12	PJMD9241Z	AC Cord Plate	1	
13	PJJS919Z	Power Lead	1	
14	XTW3+16F	Screw 3x16 mm	2	
15	XTW3+12F	Screw 3x12 mm	2	
16	XTW3+10F	Screw 3x10 mm	10	
17	XSN4+W5	Screw 4x5 mm	2	
18	XTN3D12F	Screw	1	
19	XYC3+JF12	Screw 3x12 mm	4	
20	XTW3+6L	Screw 3x6 mm	3	
21	XTW3+U8LR	Screw 3x8 mm	3	
22	PJUS193Z	Ground Spring	2	
23	PJPM33Z	Power Board	1	Non-Repairable
24	PJUG153Z	Paper Side Guide (L)	1	
25	PJGK173Z	Switch Sheet	1	
26	PJHG981Z	Rubber	2	
27	PJJN18Z	ES Core	1	
28	XWC4B	Washer	1	
29	PJJN17Z	ES Core	1	
30	XTW3+5L	Screw 3x5 mm	1	
31	PJJT241Z	Ground Wire	1	
32	PJUG154Z	Paper Side Guide (R)	1	

COUNTRY CODE	COUNTRY	COUNTRY CODE	COUNTRY
[U]	UNITED KINGDOM	[PG]	PORTUGAL
[F]	FRANCE	[V]	BELGIUM
[ET]	ITALY	[GR]	GREECE
[NE]	HOLLAND	[SP]	SPAIN

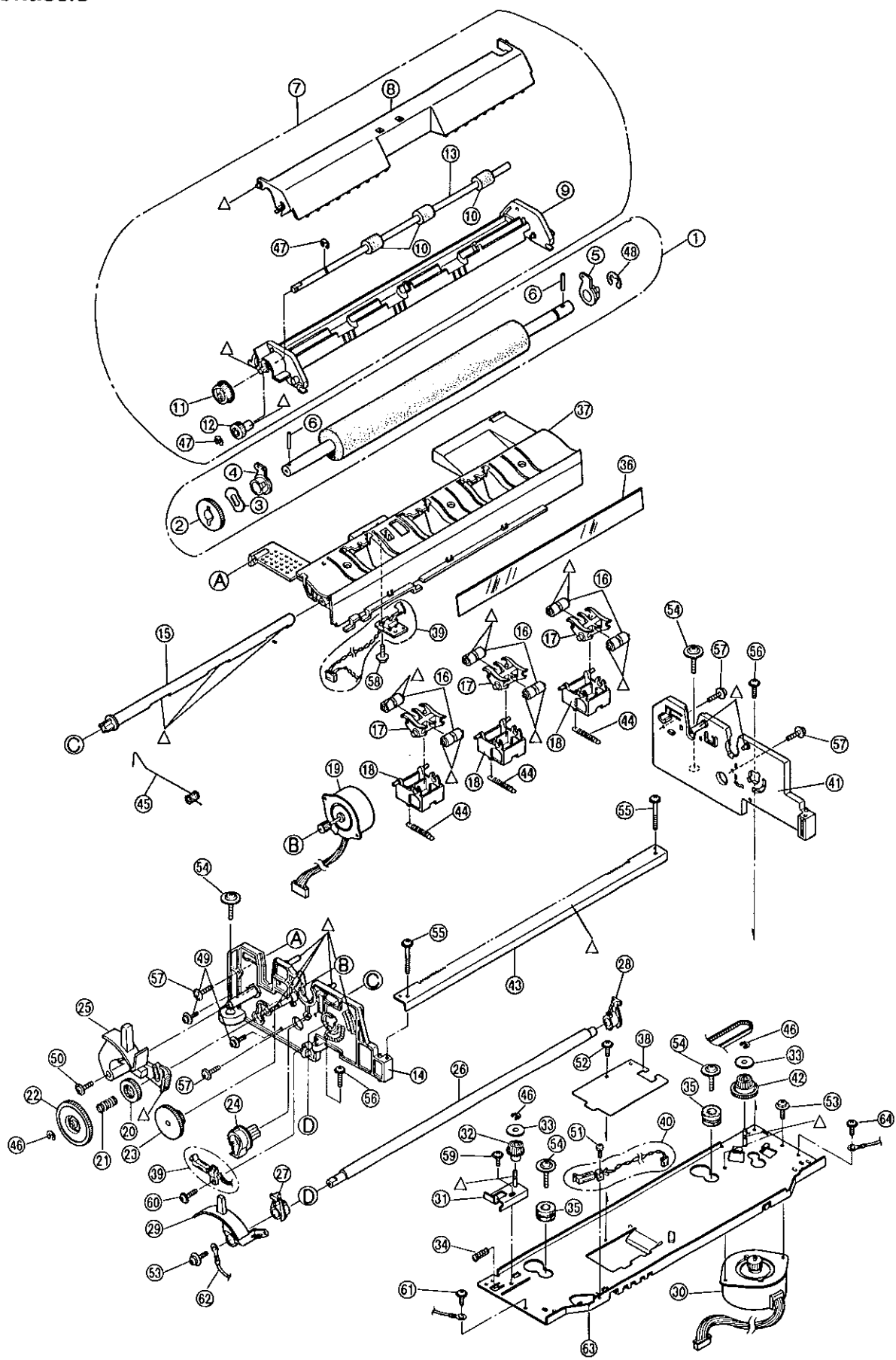
9.2 Tractor and Carriage



(Tractor and Carriage)

Ref.No.	Part No.	Part Name and Description	Per Set	Remarks
1	PJYEP1121M	Tractor Feed Gear Assembly (L)	1	
2	PJYE1P1121M	Tractor Feed Gear Assembly (R)	1	
3	PJDT139Z	Tractor Lock Lever (L)	1	
4	PJDT140Z	Tractor Lock Lever (R)	1	
5	PJDT137Z	Tractor Cover (L)	1	
6	PJDT138Z	Tractor Cover (R)	1	
7	PJDS5063Z	Tractor Spring	2	
8	PJDJ08329RZ	Tractor Bushing	2	
9	PJDF351Z	Tractor Guide Shaft	1	
10	PJDF350Z	Tractor Drive Shaft	1	
11	PJWHP1150M	Head Assembly [U] [ET] [NE] [PG] [V] [GR]	1	
11	PJWHP1150F	Head Assembly [F]	1	
11	PJWHP1150SP	Head Assembly [SP]	1	
12	PJJE327Z	Flat Cable	1	
13	PJHS312Z	Oil Felt	1	
14	PJZCP1150M	Carriage Assembly	1	
15	PJZGP1121M	Gear Kit	1	
16	PJME133Z	Gear Cover	1	
17	PJME15Z	Cassette Lever	1	
18	PJUG147Y	Ribbon Mask	1	
19	PJHR9677Z	Slider	1	
20	PJDS7100Y	Spring	1	
21	PJDV36Z	Timing Belt	1	
22	PJME135Z	Belt Clamp	1	
23	PJUS9Z	Head Ground	1	
24	PJDG50297Z	Tractor Gear	1	
25	PJME134Z	Cable Cover	1	
26	XUC5FY	E-ring	2	
27	XTW3+10F	Screw 3x10 mm	1	
28	XYN3+F8	Screw 3x8 mm	2	

9.3 Chassis



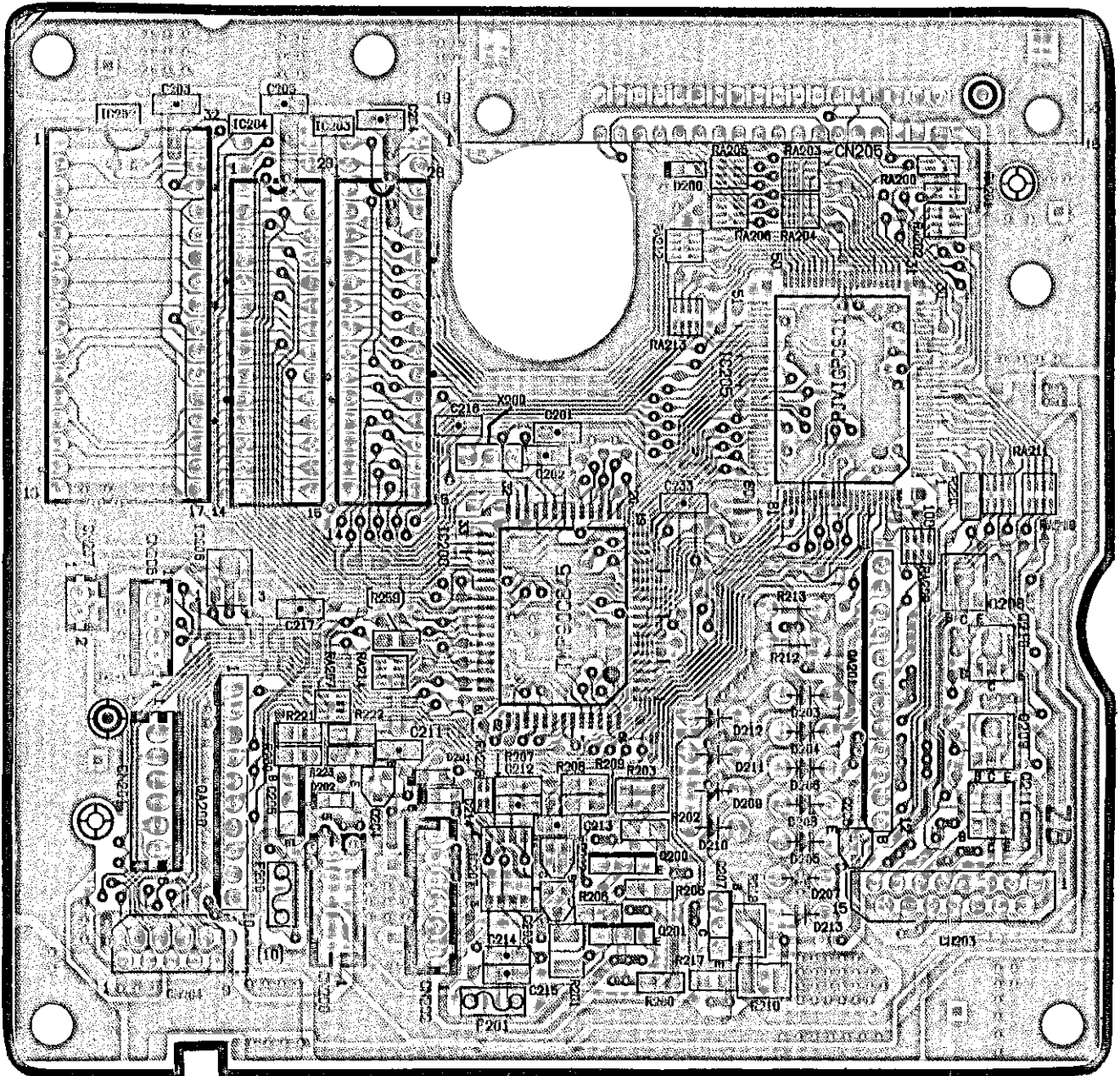
△ PJOL-SG3451

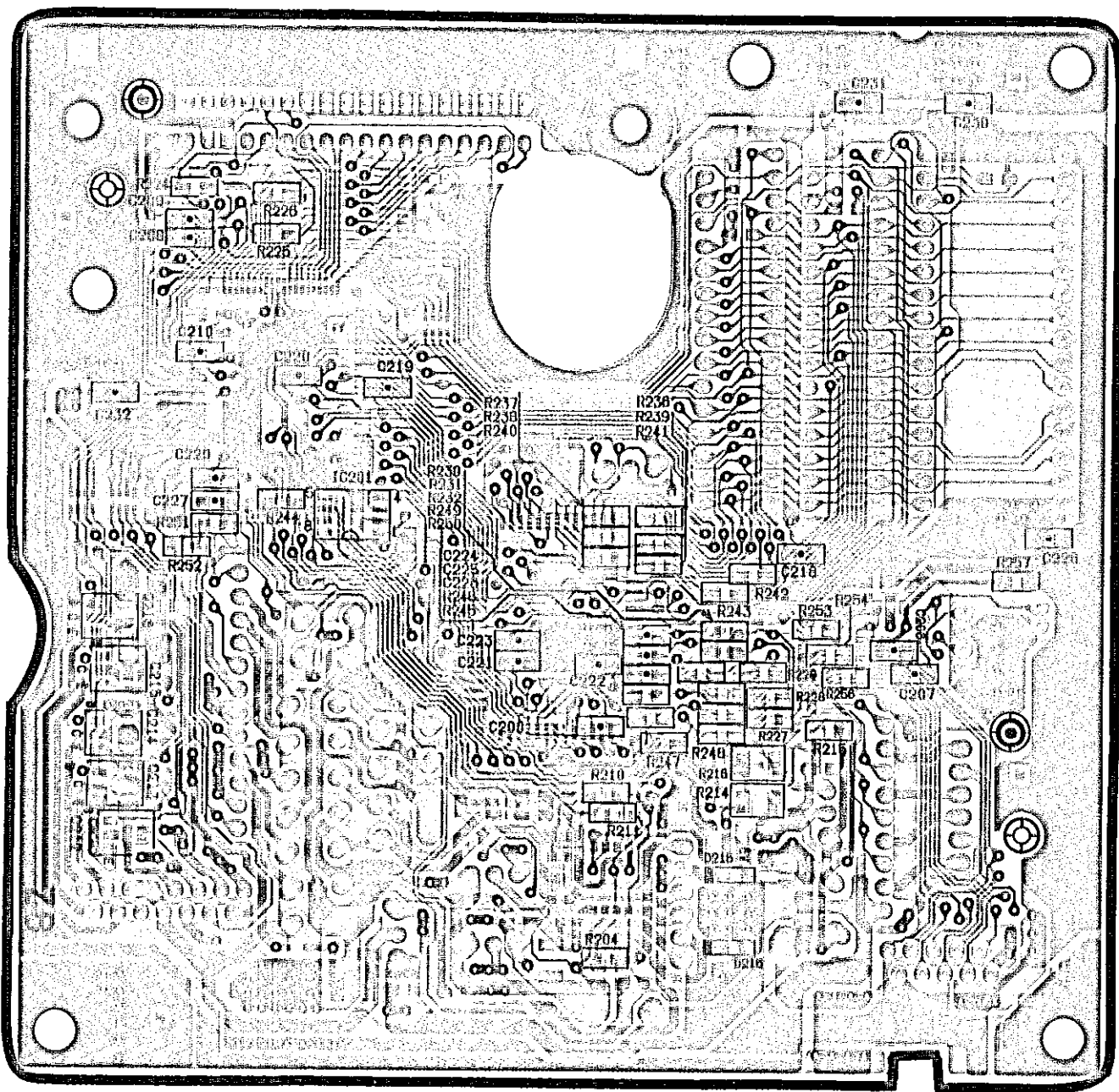
(Chassis)

Ref.No.	Part No.	Part Name and Description	Per Set	Remarks
1	PJZRP1121M	Platen Assembly	1	
2	PJDG50293Z	Platen Gear	1	
3	PJHM396Z	Washer	1	
4	PJDJ11019RZ	Platen Bushing (L)	1	
5	PJDJ11029RZ	Platen Bushing (R)	1	
6	XPL2A16WFP	Pin	2	
7	PJZR1P1150M	Ejection Roller Assembly	1	
8	PJUG174Z	Ejection Roller Cover	1	
9	PJUA266Z	Ejection Roller Base	1	
10	PJDR146Z	Ejection Roller	3	
11	PJDG50294Z	Ejection Roller Idle Gear	1	
12	PJDG50295Z	Ejection Roller Gear	1	
13	PJDF9430Z	Ejection Roller Shaft	1	
14	PJZB1P2023M	Left Side Frame Assembly	1	
15	PJDF9303Z	Friction Cam Shaft	1	
16	PJDR131Z	Friction Roller	6	
17	PJUR22Z	Friction Roller Holder	3	
18	PJUR23Z	Friction Base	3	
19	PJJQ182Z	Line Feed Motor	1	
20	PJDG50299Z	Slide Clutch Gear	1	
21	PJDS51810Z	Spring, Clutch Gear	1	
22	PJDG50353Z	Middle Gear	1	
23	PJDG50300Z	Idle Gear	1	
24	PJDG50298Z	Friction Cam Gear	1	
25	PJUB103Z	Paper Feed Selector	1	
26	PJDF567Z	Carriage Shaft	1	
27	PJDG5244Z	Eccentric Cam (L)	1	
28	PJDG5243Z	Eccentric Cam (R)	1	
29	PJUB104Z	Head Gap Lever	1	
30	PJJQ181Z	Carriage Motor	1	
31	PJZHP1121M	Idle Pulley Bracket Assembly	1	
32	PJDD4134Z	Idle Pulley	1	
33	PJDG0906Z	Pulley Flange	2	
34	PJDS51218Z	Spring, Idle Pulley	1	
35	PJHG328Z	Mount Rubber	2	
36	PJHR5165Z	Back Tension Sheet	14	
37	PJUG175Z	Paper Guide	1	
38	PJHR5167Z	Flat Cable Cover	1	
39	PJWP3P1150M	Switch Board Assembly (F/T, PE)	1	
40	PJWSP1150M	Switch Assembly (Home)	1	
41	PJUA243Z	Right Side Frame	1	
42	PJDG9039Z	Drive Pulley	1	
43	PJUL152Z	Carriage Guide Plate	1	
44	PJDS4182Z	Spring, Friction Roller	3	
45	PJDS7103Z	Motor Earth Spring	1	
46	XUC3FY	E-ring	3	
47	XUC4FY	E-ring	2	
48	XUC9FY	E-ring	1	
49	XYN26+F8	Screw 2.6x8 mm	2	
50	XTW3+12F	Screw 3x12 mm	1	
51	XTW26+8L	Screw 2.6x8 mm	1	
52	XTW3+6L	Screw 3x6 mm	1	
53	XYN3+F8	Screw 3x8 mm	3	

Ref.No.	Part No.	Part Name and Description	Per Set	Remarks
54	PJYC3+MC16	Screw 3x16 mm	4	
55	XTW3+30L	Screw 3x30 mm	2	
56	XTW3+12L	Screw 3x12 mm	2	
57	XTW3+16F	Screw 3x16 mm	4	
58	XTW3+10F	Screw 3x10 mm	1	
59	XYC3+FF8C	Screw 3x8 mm	1	
60	XTW26+8F	Screw 2.6x8 mm	1	
61	XYW3+U5L	Screw 3x5 mm	1	
62	PJYT313Z	Ground Wire	1	
63	PJZB2P1150M	Front Base Assembly	1	
64	XTW3+5L	Screw 3x5 mm	1	

9.4 Main Board

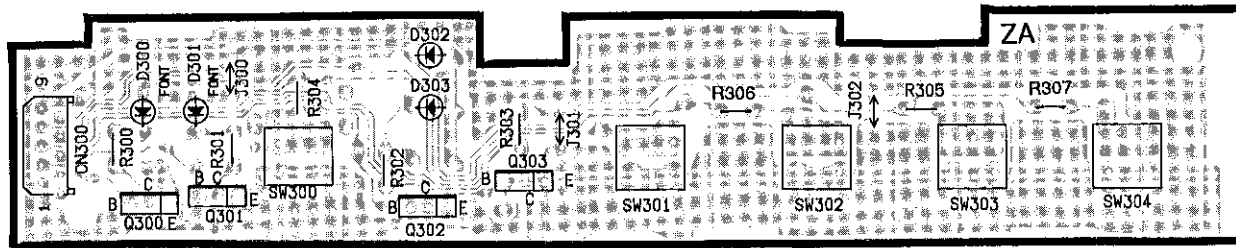




Ref.No.	Part No.	Part Name and Description			Per Set	Remarks
Integrated Circuits, Transistor and Diodes						
IC200	PJVIT90C845F	IC			1	
IC201	PJVIS2914AIF	IC			1	
IC202	PJWIP1150M	IC ROM			1	
IC202	PJWIP1150GR	IC ROM [GR]			1	
IC203	PJVILC3664	IC			1	
IC205	PJVIGP0901A	IC			1	
IC206	PJVIS8054HN	IC			1	
IC207	PJVILM393PS	IC			1	
D200-202,214	1SS353TE	Diode			4	
D203-206	PJVD1N4003N	Diode			4	
D207,208	PJVDRD47E	Diode			2	
D209-213	PJVD1N4003N	Diode			8	
D215,216	1SS153TE	Diode			2	
Q200,201	2SB1333N	Transistor			2	
Q202-204,206	PJVIDTC143EK	Transistor			4	
Q205	2SB1333N	Transistor			1	
Q207	2SB1504Q	Transistor			1	
Q208-216	2SD2170T	Transistor			9	
Resistors						
R200,202,205	ERJ6GEYJ332V	3.3K	1/10W	Resistor (Chip)	3	
R201,203	ERJ14YJ682H	6.8K	1/4W	Resistor (Chip)	2	
R204	ERJ6GEYJ332V	3.3K	1/10W	Resistor (Chip)	1	
R206,207	ERJ6GEYJ224V	220K	1/10W	Resistor (Chip)	2	
R208,209	ERJ6GEYJ103V	100K	1/10W	Resistor (Chip)	2	
R210,211	ERJ6GEYJ223V	22K	1/10W	Resistor (Chip)	2	
R212,213	ERX1SJ1R0	1	1W	Metal	2	
R214	ERJ14YJ101H	100	1/4W	Resistor (Chip)	1	
R215	ERJ6GEYJ103V	100K	1/10W	Resistor (Chip)	1	
R216	ERJ14YJ101H	100	1/4W	Resistor (Chip)	1	
R217	ERJ6GEYJ332V	3.3K	1/10W	Resistor (Chip)	1	
R218, 219	ERJ14YJ682H	6.8K	1/4W	Resistor (Chip)	2	
R220	ERJ6GEYJ122V	1.2K	1/10W	Resistor (Chip)	1	
R221,222	ERJ6GEYJ153V	15K	1/10W	Resistor (Chip)	2	
R223	ERJ6GEYJ472V	4.7K	1/10W	Resistor (Chip)	1	
R224,225	ERJ6GEYJ103V	10K	1/10W	Resistor (Chip)	2	
R226	ERJ6GEYJ221V	220	1/10W	Resistor (Chip)	1	
R227-232	ERJ6GEYJ103V	10K	1/10W	Resistor (Chip)	6	
R236-243	ERJ6GEYJ151V	150	1/10W	Resistor (Chip)	8	
R244-247	ERJ6GEYJ103V	10K	1/10W	Resistor (Chip)	4	
R248-250	ERJ6GEYJ472V	4.7K	1/10W	Resistor (Chip)	3	
R251	ERJ6GEYJ103V	10K	1/10W	Resistor (Chip)	1	
R252	ERJ6GEYJ222V	2.2K	1/10W	Resistor (Chip)	1	
R253	ERJ6GEYJ332V	3.3K	1/10W	Resistor (Chip)	1	
R254	ERJ6GEYJ563V	56K	1/10W	Resistor (Chip)	1	
R256,257	ERJ6GEYJ103V	10K	1/10W	Resistor (Chip)	2	
R260	ERJ6GEYJ153V	15K	1/10W	Resistor (Chip)	1	

Ref.No.	Part No.	Part Name and Description	Per Set	Remarks
Capacitors				
C200,203	ECUV1E104ZF	0.1 25V Ceramic (Chip)	2	
C201,202	ECUV1H150JC	15p 50V Ceramic (Chip)	2	
C204,205	ECUV1E104ZF	0.1 25V Ceramic (Chip)	2	
C206,207	ECUV1H103KB	0.01 50V Ceramic (Chip)	2	
C208	ECUV1H223ZF	0.022 50V Ceramic (Chip)	1	
C209	ECUV1H151JC	150p 50V Ceramic (Chip)	1	
C210,211	ECUV1E104ZF	0.1 25V Ceramic (Chip)	2	
C212,214	ECUV1H151JC	150p 50V Ceramic (Chip)	2	
C213,215	ECUV1H102JC	1000p 50V Ceramic (Chip)	2	
C216-220	ECUV1H330JC	33p 50V Ceramic (Chip)	5	
C221-223	ECUV1E223KB	0.022 25V Ceramic (Chip)	3	
C224-227	ECUV1H102KB	1000p 50V Ceramic (Chip)	4	
C228-233	ECUV1H223ZF	0.022 50V Ceramic (Chip)	6	
Component Combinations				
RA200	EXBV4V152JV	R-Array	1	
RA201	EXBV4V272JV	R-Array	1	
RA202	EXBV8V272JV	R-Array	1	
RA203,204	EXBV8V103JV	R-Array	2	
RA205,206	EXBV8V272JV	R-Array	2	
RA207	EXBV8V332JV	R-Array	1	
RA208	EXBV4V223JV	R-Array	1	
RA209	EXBV8V222JV	R-Array	1	
RA210,211	EXBV8V122JV	R-Array	2	
RA212,213	EXBV8V151JV	R-Array	2	
RA214	EXBV8V102JV	R-Array	1	
QA200	PJVI4AC21	Transistor Array	1	
QA201	PJVISMA4033	Transistor Array	1	
Other Parts				
CN200	PJJP393Z	Connector	1	
CN201	PJJP160Z	Connector	1	
CN202	PJJP40Z	Connector	1	
CN203	PJJS422Z	Connector	1	
CN204	PJJS416Z	Connector	1	
CN205	PJJS29W	Connector, Centronics	1	
CN206	PJJP269Z	Connector	1	
CN207	PJJP353Z	Connector	1	
F200	XBAICPF25	Protector	1	
F201	XBAICPF50	Protector	1	
X200	PJVCSA12M	X'Tal	1	
PB1	PJWPP1150M	Main Board Complete	1	RTL
PB1	PJWPP1150GR	Main Board Complete [GR]	1	RTL

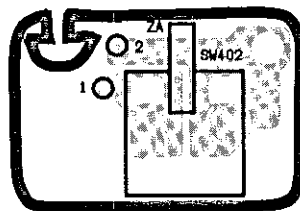
9.5 Control Panel Board



(Parts Side View)

Ref.No.	Part No.	Part Name and Description	Per Set	Remarks
D300-302	PJVDSL40MGF	Diode	3	
D303	PJVDSL40VRM	Diode	1	
Q300-303	PJVIDTC143ES	Transistor	4	
R300,301	ERDS2FJ151	150K 1/4W Carbon	2	S
R302	ERDS2FJ471	470K 1/4W Carbon	1	S
R303	ERDS2FJ151	150 1/4W Carbon	1	S
R304,305	ERDS2FJ472	4.7K 1/4W Carbon	2	S
SW300-304	EVQQS205K	Switch	5	
CN300	PJJS459Z	Connector	1	
PB2	PJWP1P1121M	Control Panel Board Complete	1	RTL
1	PJUP583Z	Control Panel Board Bare PCB	1	

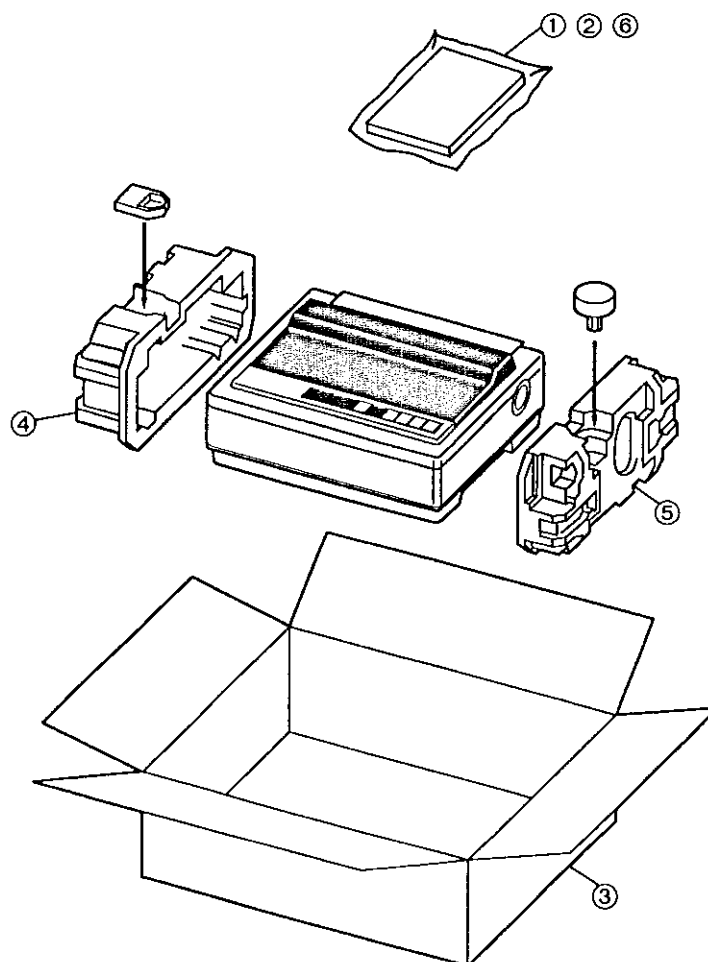
9.6 Switch Board



(Parts Side View)

Ref.No.	Part No.	Part Name and Description	Per Set	Remarks
SW402	PJSH1A47Z	PE Switch	1	
1	PJUP625Z	Switch Board Bare PCB	1	

9.7 Packing Materials



Ref.No.	Part No.	Part Name and Description	Per Set	Remarks
1	PJQX6620Z	Instruction Book [U] [PG] [GR]	1	
1	PJQX6658Z	Instruction Book [F] [V]	1	
1	PJQX6659Z	Instruction Book [ET]	1	
1	PJQX6660Z	Instruction Book [SP]	1	
1	PJQX6666Z	Instruction Book [NE] [V]	1	
2	PJQX2207Z	Quick Start Guide [U] [PG] [GR]	1	
2	PJQX2236Z	Quick Start Guide [F] [V]	1	
2	PJQX2237Z	Quick Start Guide [ET]	1	
2	PJQX2238Z	Quick Start Guide [SP]	1	
2	PJQX2246Z	Quick Start Guide [NE] [V]	1	
3	PJPG1192Z	Carton Box	1	
4	PJPN800Z	Pad (L)	1	
5	PJPN801Z	Pad (R)	1	
6	PJJN42DD50WZ	Setup Disk [U] [PG] [V]	1	
6	PJJN42DD57WZ	Setup Disk [F]	1	
6	PJJN42DD58WZ	Setup Disk [ET]	1	
6	PJJN42DD59WZ	Setup Disk [NE]	1	
6	PJJN42DD60WZ	Setup Disk [SP]	1	
6	PJJN42DD61WZ	Setup Disk [GR]	1	

