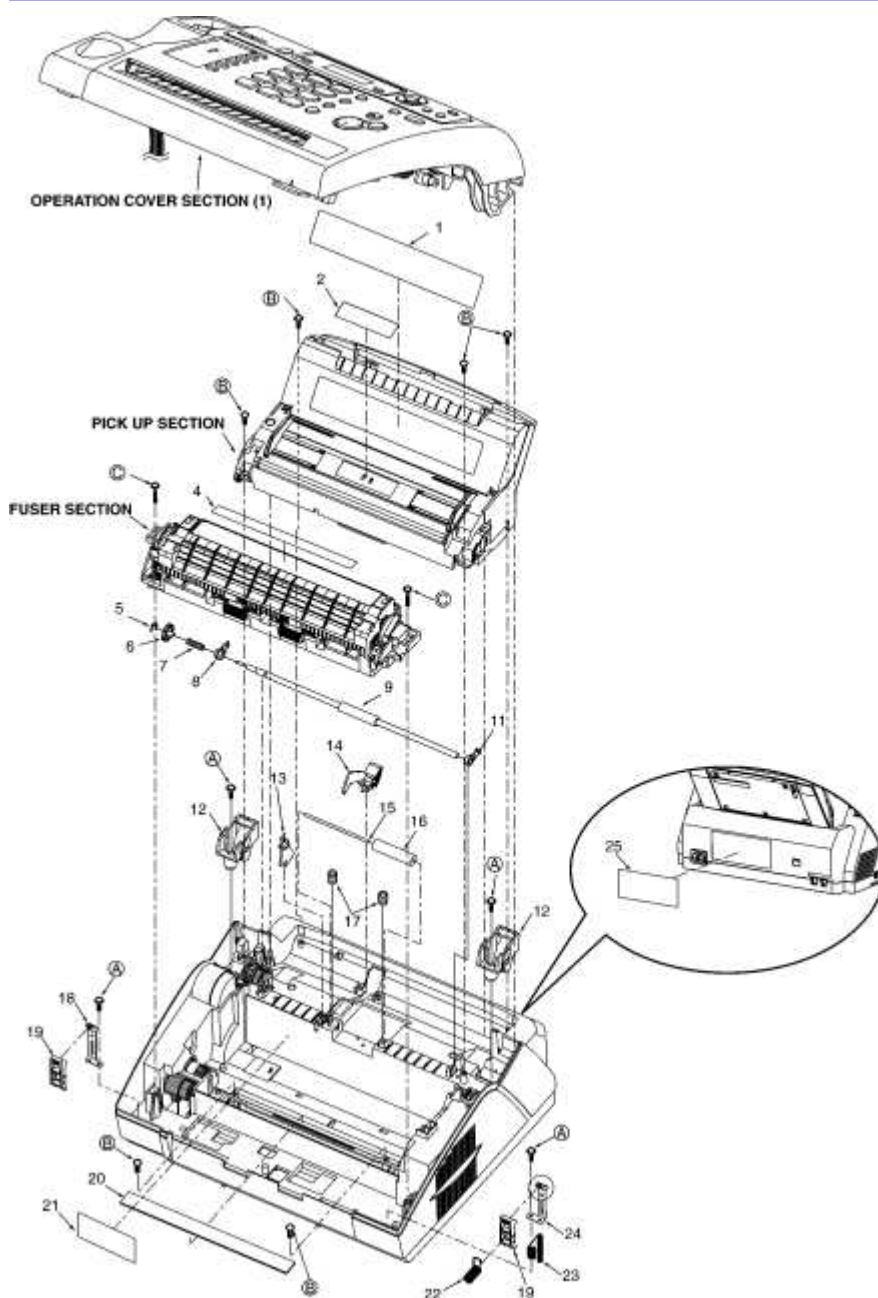


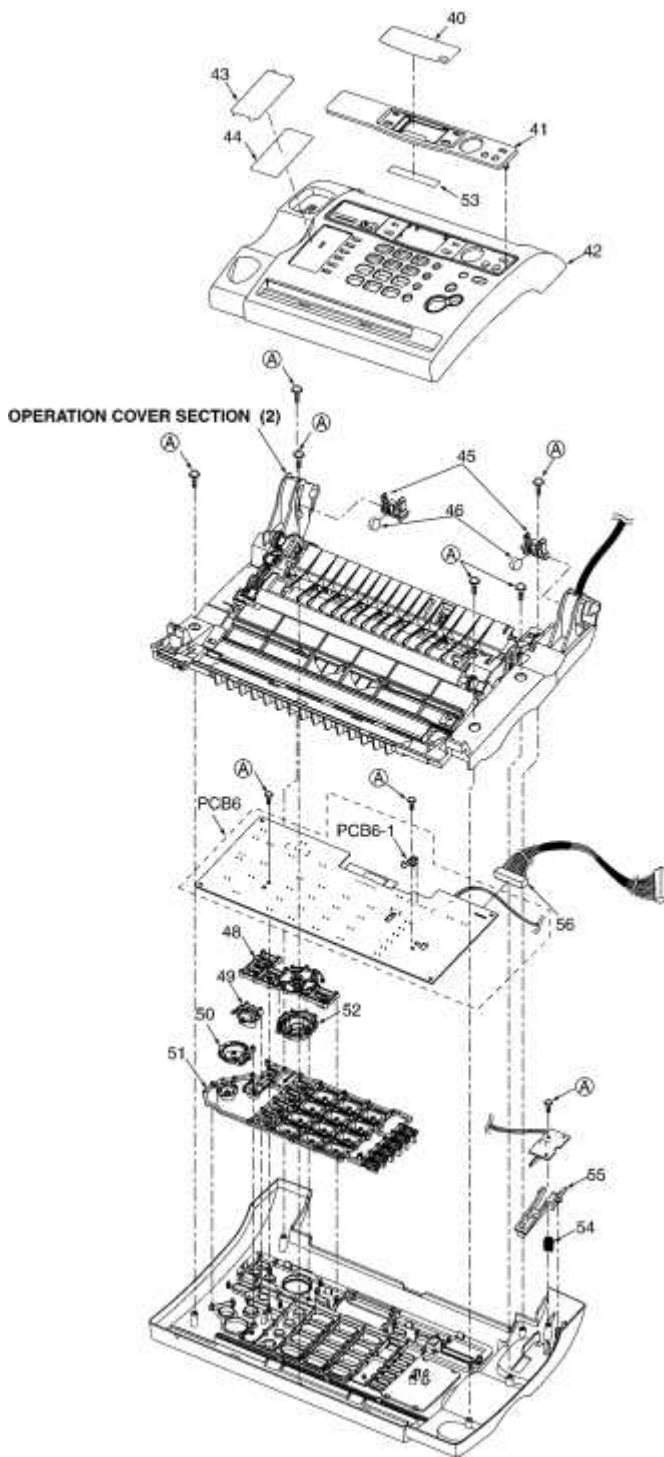
19 Exploded View and Replacement Parts List

19.1 Cabinet, Mechanical and Electrical Parts Location

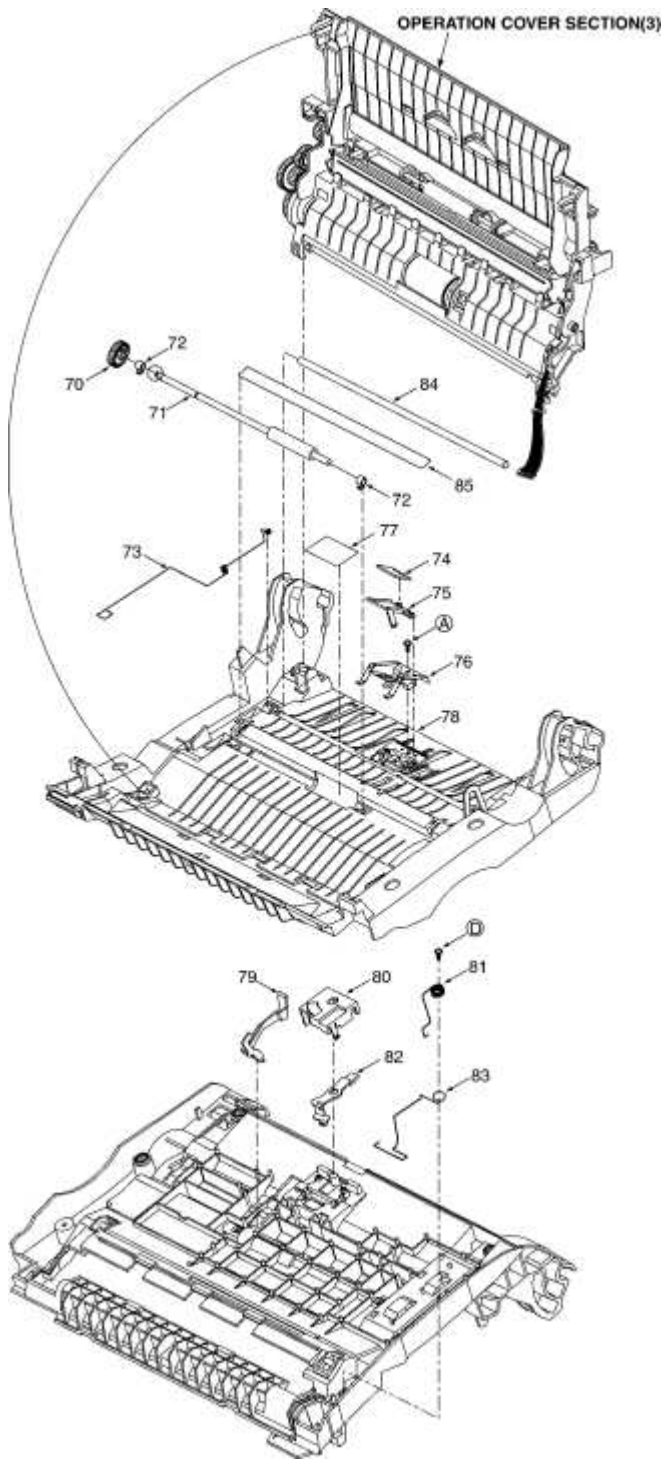
19.1.1 General Section



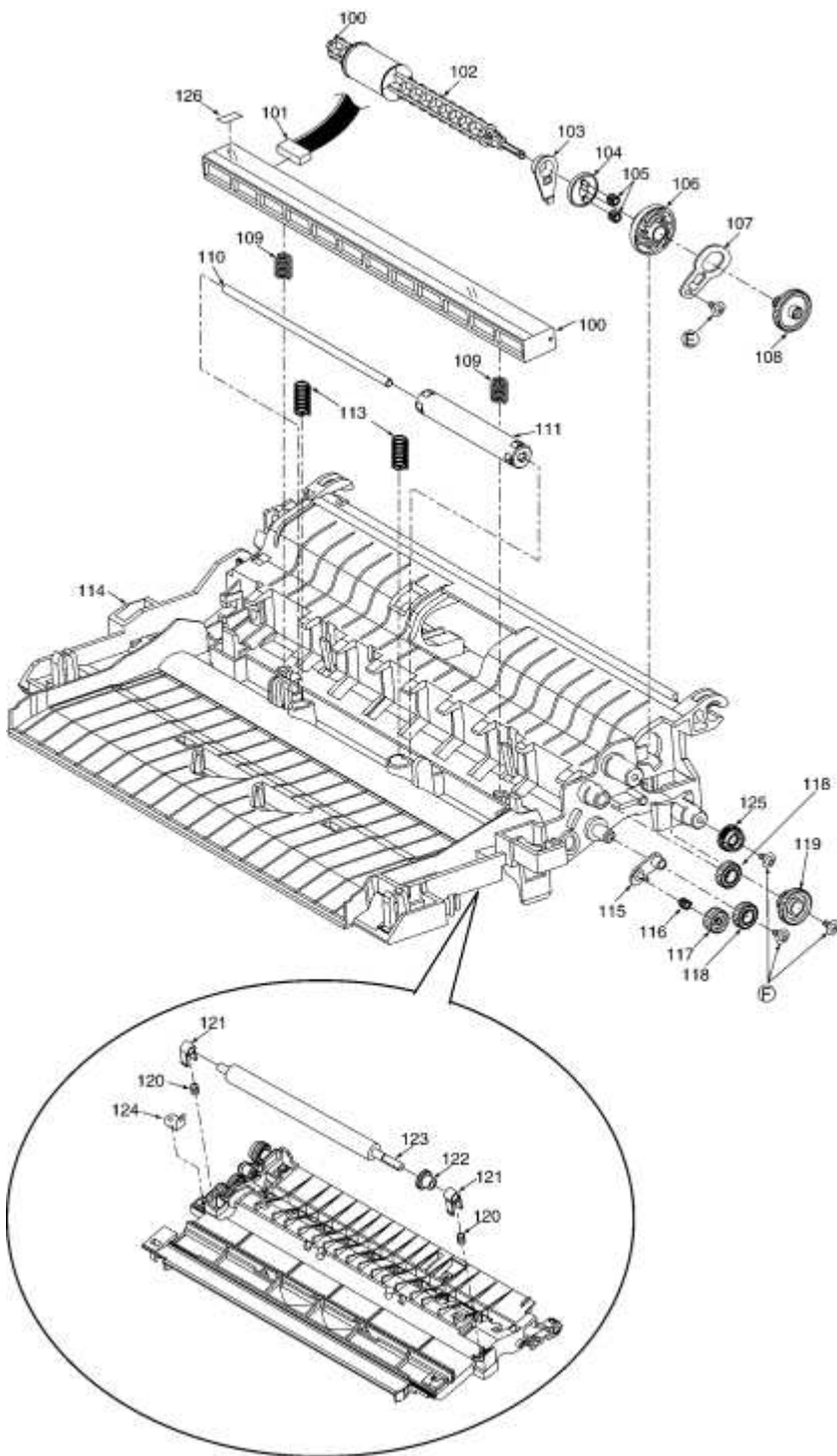
19.1.2 Operation Cover Section (1)



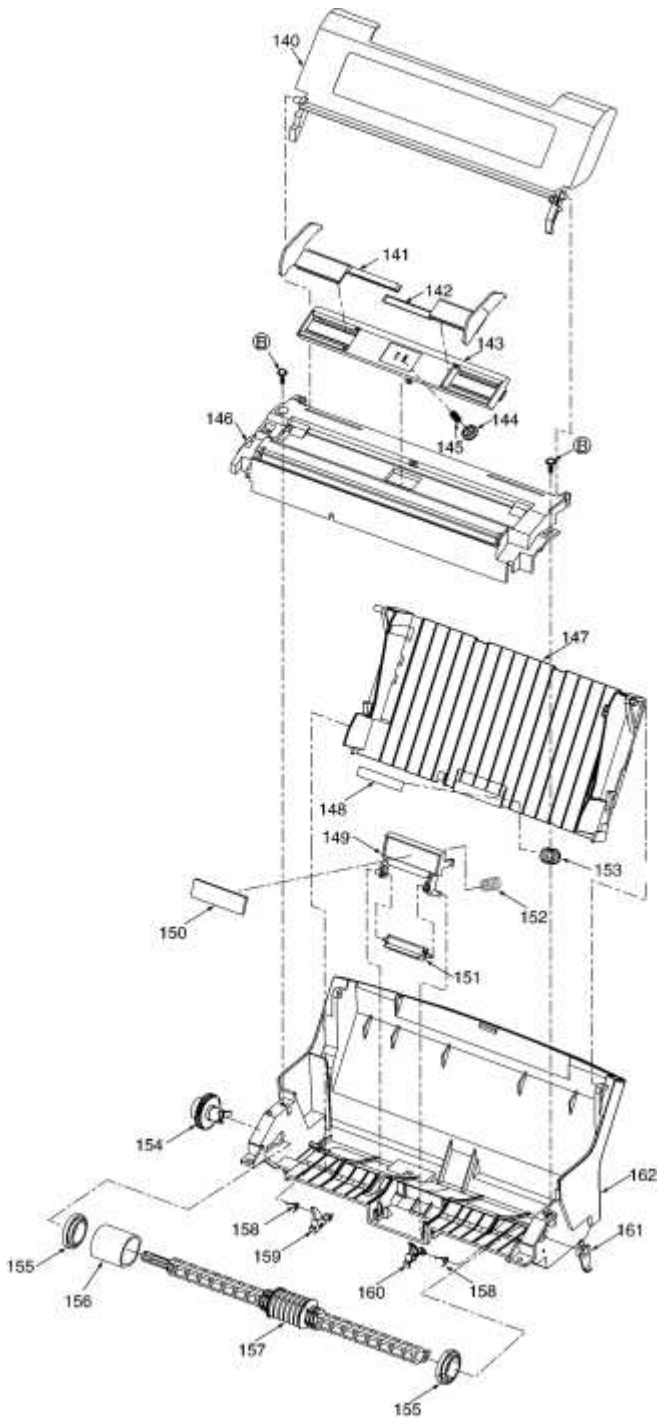
19.1.3 Operation Cover Section (2)



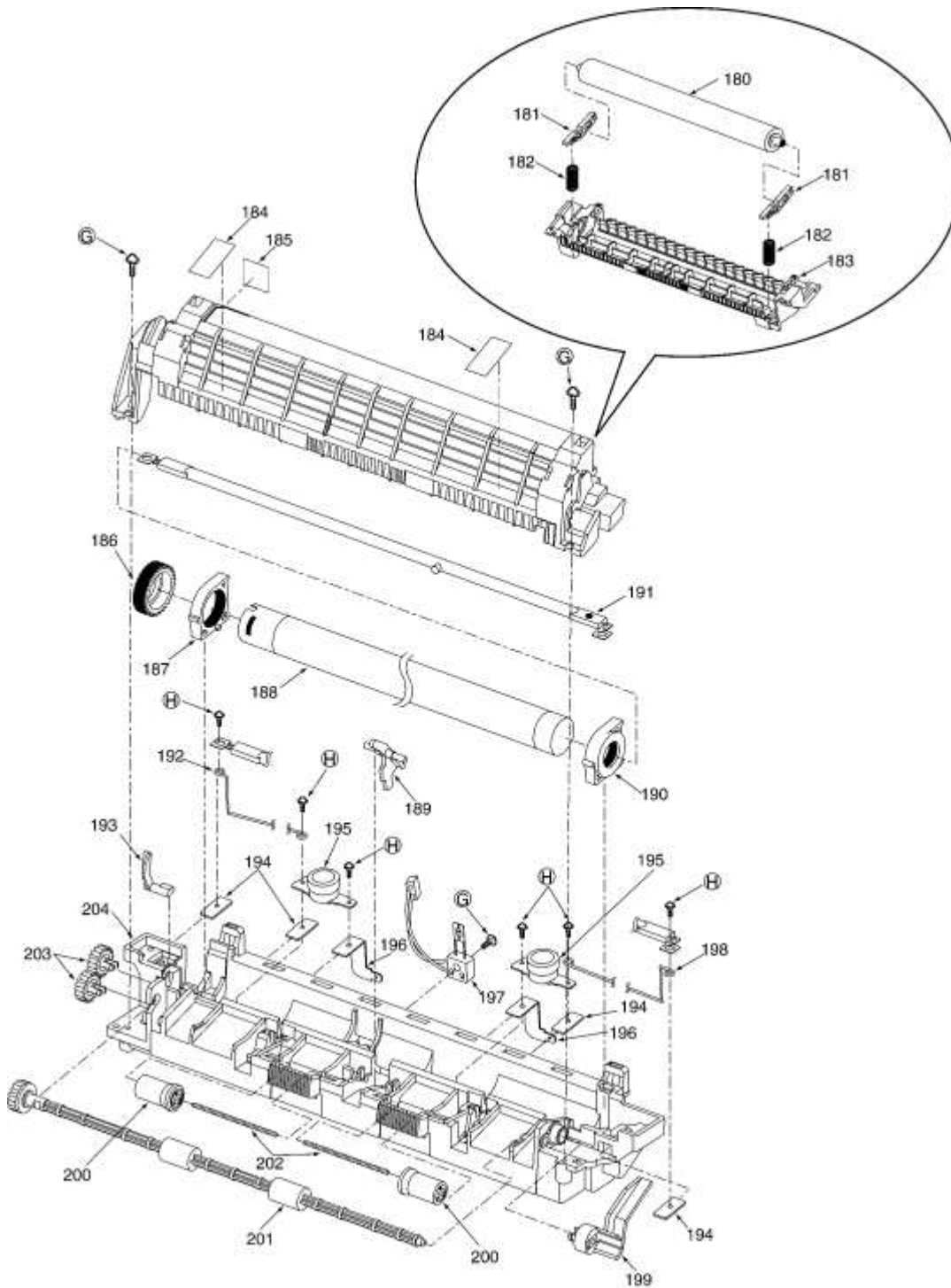
19.1.4 Operation Cover Section (3)



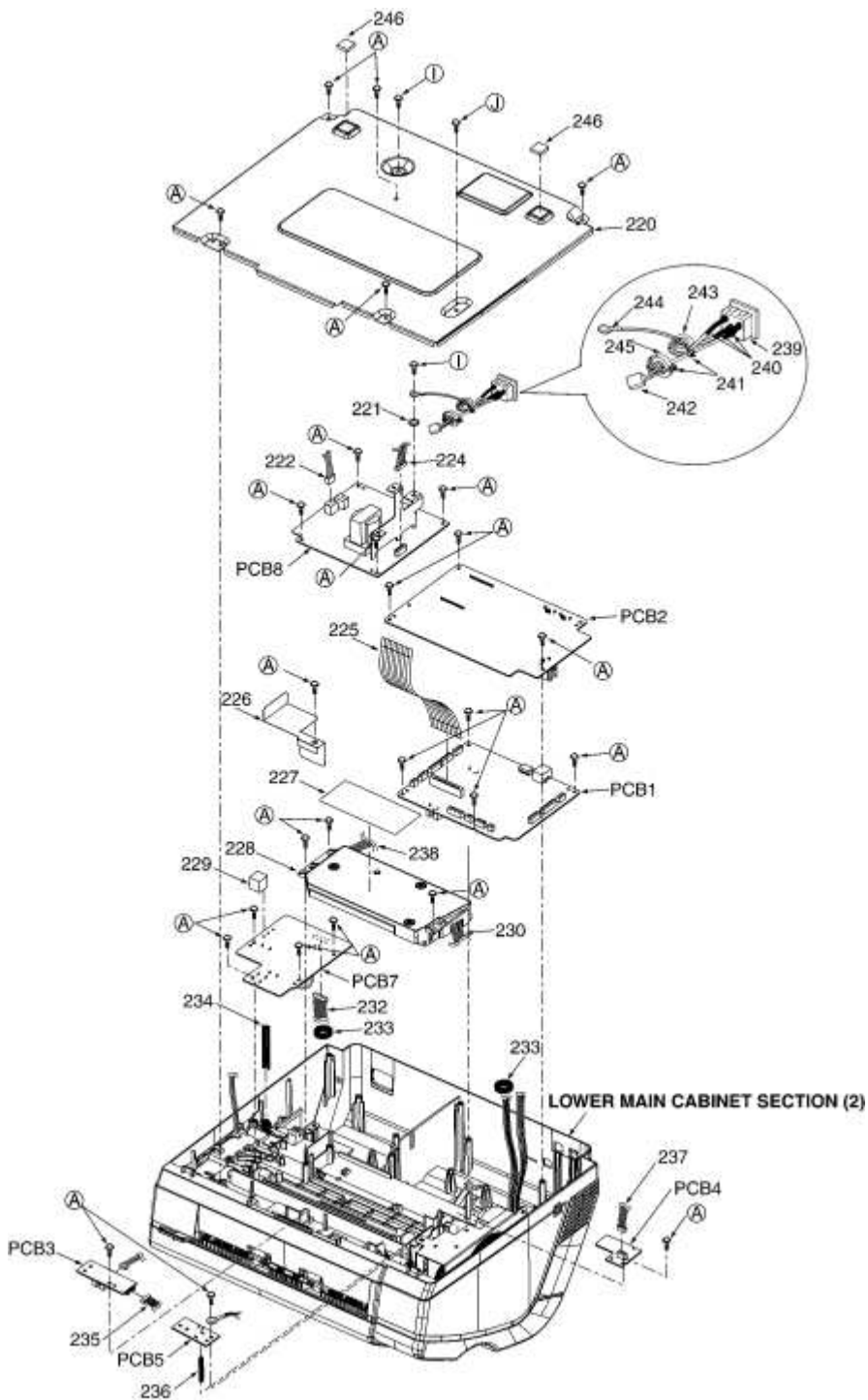
19.1.5 Pick Up Section



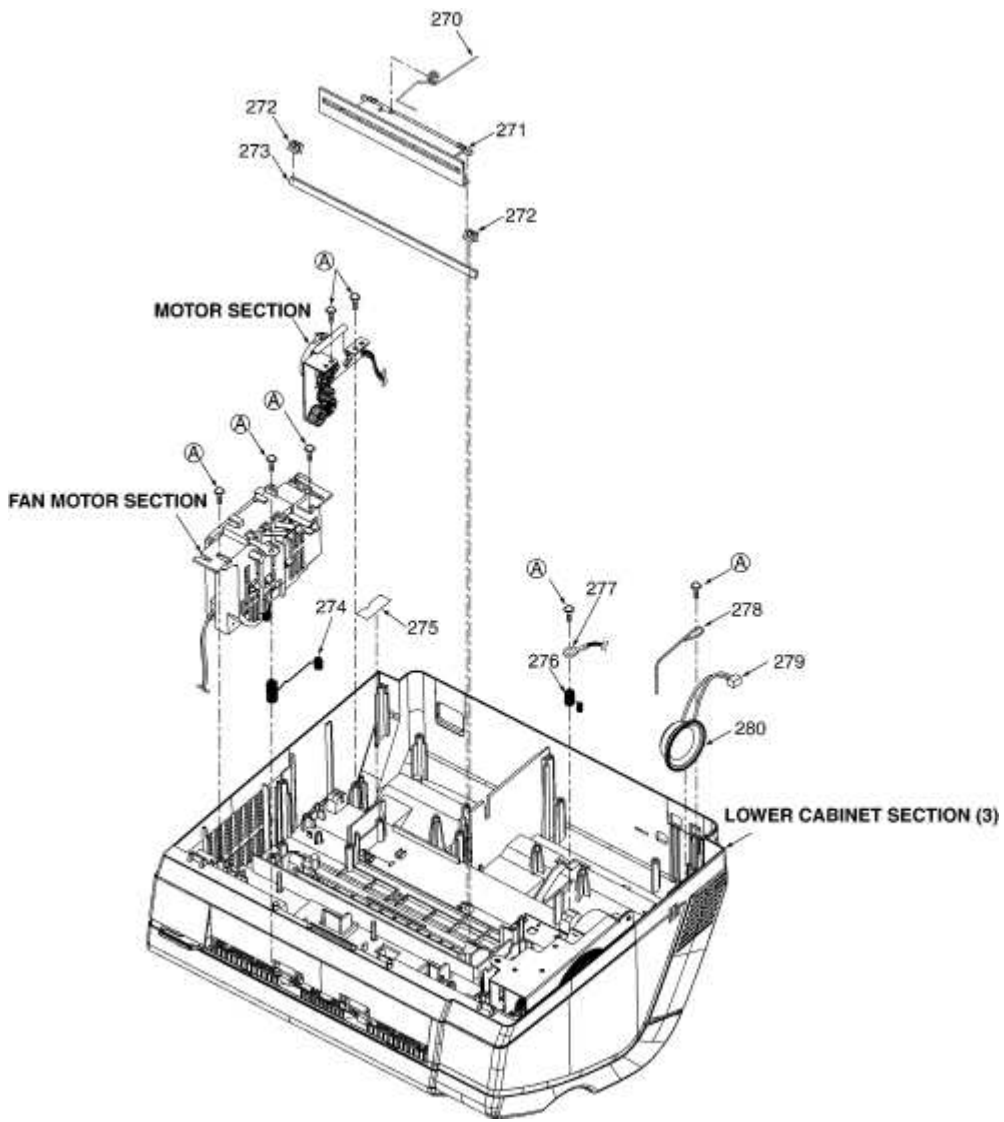
19.1.6 Fuser Section



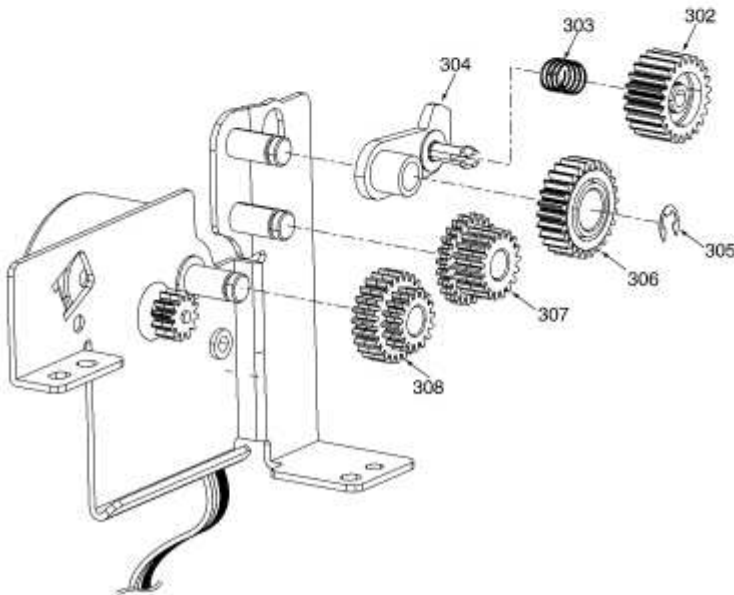
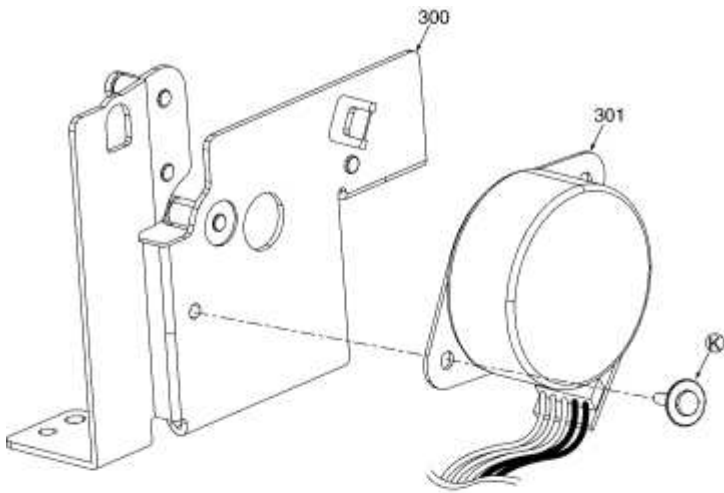
19.1.7 Lower Main Cabinet Section (1)



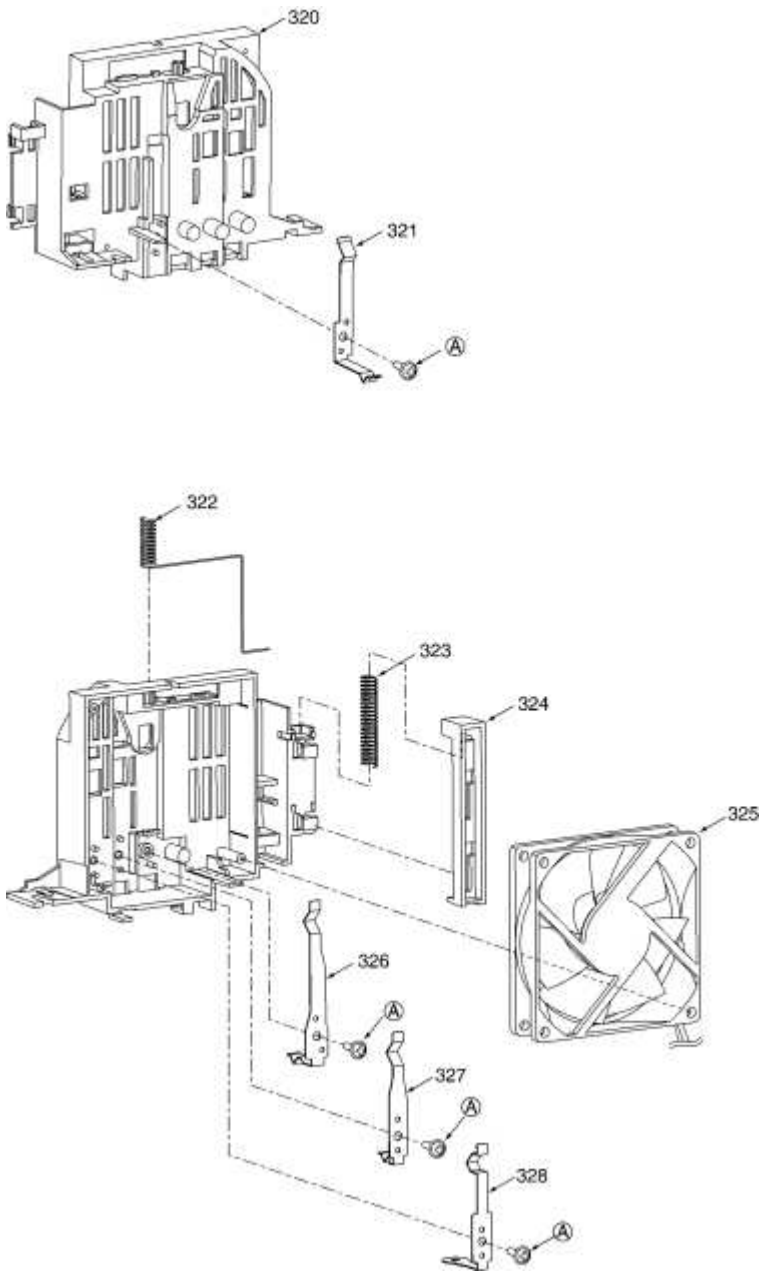
19.1.8 Lower Main Cabinet Section (2)



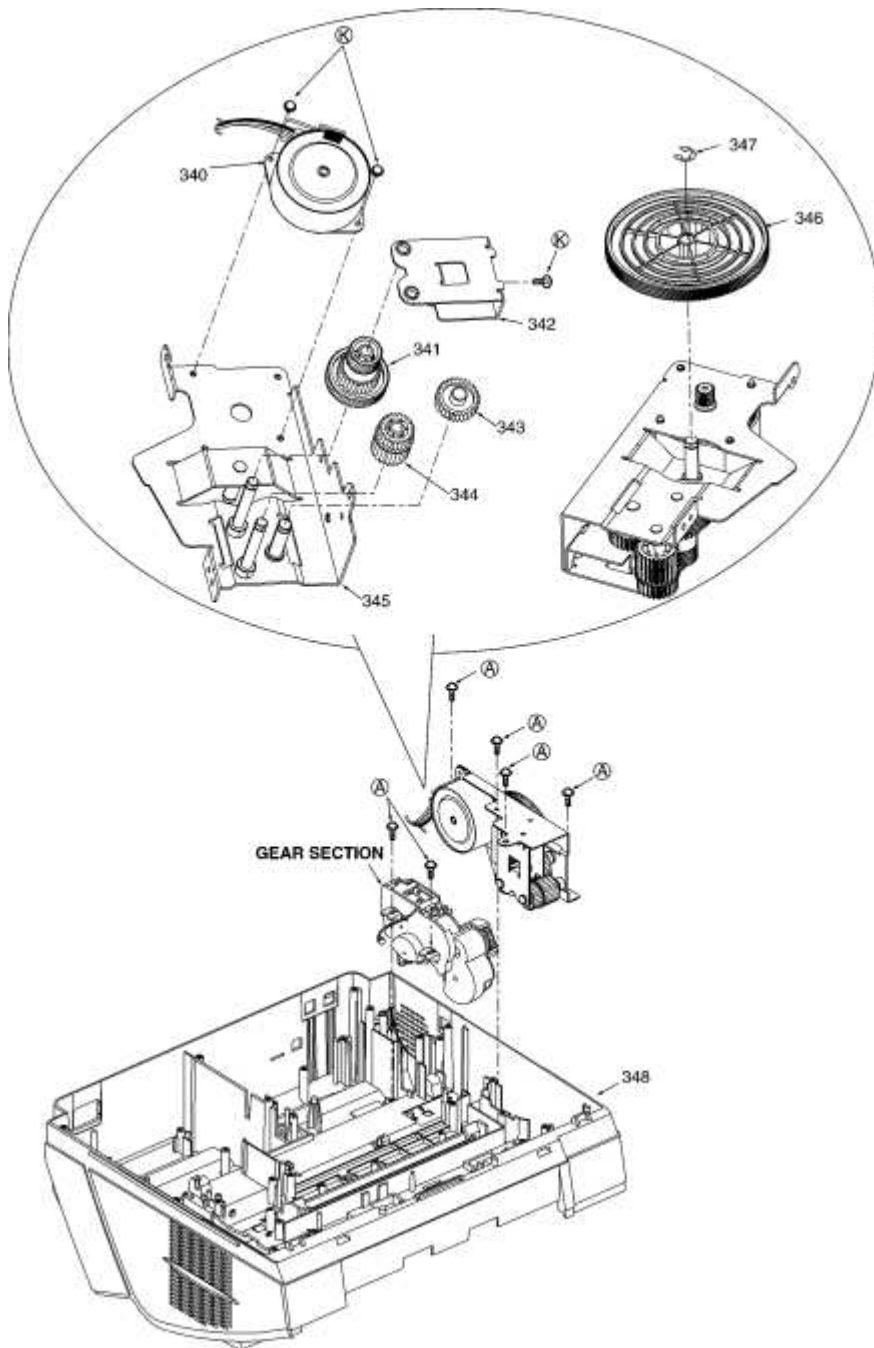
19.1.9 Motor Section



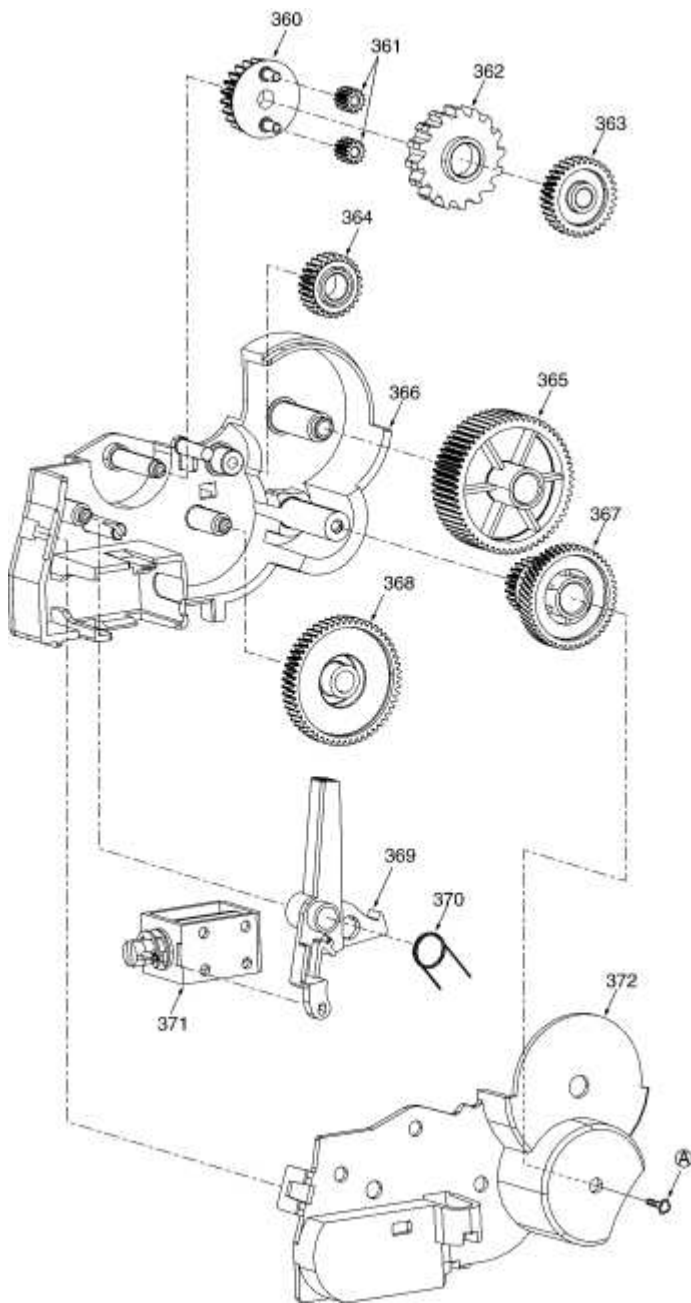
19.1.10 Fan Motor Section





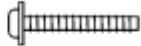
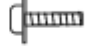


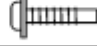




19.1.11 Lower Cabinet Section (3)



19.1.12 Gear Section



19.1.13 Actual Size of Screws and Washer

	Parts No.	Illustration
Ⓐ	XTW3+10PFJ7	
Ⓑ	XTB3+10GFJ	
Ⓒ	XTW3+20PFJ	
Ⓓ	XTW3+W10PFJ	
Ⓔ	XTW4+W8PFJ	
Ⓕ	XTW2+W9PFJ	
Ⓖ	XTW3+12PFJ7	
Ⓗ	XYC3+FF8FJ	
Ⓘ	XSB4+6FJ	
Ⓙ	XTW3+6LFJ7	
Ⓚ	XTW3+5LFJK7	

19.1.14 Accessories and Packing Materials

Unless otherwise specified;

All resistors are in ohms (Ω) k=1000 Ω , M=1000k Ω

All capacitors are in MICRO FARADS (μ F) P= μ F

*Type & Wattage of Resistor

Type		
ERC:Solid	ERX:Metal Film	PQ4R:Carbon
ERD:Carbon	ERG:Metal Oxide	ERS:Fusible Resistor
PORD:Carbon	ER0:Metal Film	ERF:Cement Resistor

Wattage					
10,16:1/8W	14,25:1/4W	12:1/2W	1:1W	2:2W	3:3W

*Type & Voltage of Capacitor

Type	
ECFD:Semi-Conductor	ECCD,ECKD,ECBT,POCBC: Ceramic
ECQS:Styrol	ECQE,ECQV,ECQG:Polyester
PQCV:Chip	ECEA,ECSZ:Electlytic
ECQMS:Mica	ECQP:Polypropylene

Voltage			
ECQ Type	ECQG ECQV Type	ECSZ Type	Others
1H:50V	05:50V	0F:3.15V	0J :6.3V 1V :35V
2A:100V	1:100V	1A:10V	1A :10V 50,1H:50V
2E:250V	2:200V	1V:35V	1C :16V 1J :63V
2H:500V		0J:6.3V	1E,25:25V 2A :100V

19.2.1 Cabinet and Electrical Parts

19.2.1.1 General Section

Ref. No.	Part No.	Part Name & Description	Remarks
1	PFQT2542Z	LABEL, PAPER SET	
2	PFQT2541W	LABEL, FACE DOWN	
3	NOT USED		
4	PFQT2565X	LABEL, FUSER	
5	XUC2FJP	RETAINING RING	
6	PFDG1201Z	GEAR	
7	PFUS1325Z	COIL SPRING	
8	PFDJ1067Z	SPACER	
9	PFDN1065Z	ROLLER	
10	NOT USED		
11	PFDJ1044Z	SPACER	
12	PFHR1542Z	CASE/COVER	PS
13	PFDE1204W	LEVER	
14	PFDE1203Z	LEVER	
15	PFDF1097Z	SHAFT	ABS
16	PQDR9685Y	ROLLER	
17	PFUS1275Z	COIL SPRING	POM
18	PFUS1659Z	BAR SPRING	
19	PFHR1543Z	LEVER	POM
20	PF0G1006Z	MIRROR	
21	PFQT2543Y	INDICATION PLATE-LABEL	
22	PFUS1738Z	COIL SPRING	
23	PFUS1661Z	COIL SPRING	
24	PFUS1660Z	BAR SPRING	
25	PFGT3274Z-M	NAME PLATE, AL	

19.2.1.2 Operation Cover Section (1)

Ref. No.	Part No.	Part Name & Description	Remarks
40	PFGP1338X	PANEL	
41	PFGG1284U1	GRILLE	PS
42	PFGG1282R2	GRILLE	PS
43	PFGV1021Z	TRANSPARENT PLATE	
44	PFGD1058Z	CARD	
45	PFME1001Z	SPACER	
46	PFHG1094Z	RUBBER PARTS	

47	NOT USED		
48	PFBX1253Z1	PUSH BUTTON, SET	ABS
49	PFBC1163Z1	PUSH BUTTON, AUTO ANS	ABS
50	PFBC1164Z1	PUSH BUTTON, FAX START	ABS
51	PFBX1252Y1	PUSH BUTTON, DIAL	ABS
52	PFBC1165Z1	PUSH BUTTON, NAVI	ABS
53	PFHX2002Z	SPACER	
54	PFUS1696Z	COIL SPRING	
55	PFBH1033Z2	PUSH BUTTON	ABS
56	PFJS08N99Z	CONNECTOR	

19.2.1.3 Operation Cover Section (2)

Ref. No.	Part No.	Part Name & Description	Remarks
70	PFDG1320Z	GEAR	
71	PFZRFL511M	ROLLER	
72	PFDJ1006Z	SPACER	
73	PFUS1671Z	LEAF SPRING	
74	PFHG1190Z	RUBBER PARTS	
75	PFHR1544Z	CASE/COVER	POM
76	PFUS1668Z	LEAF SPRING	
77	PFHX1967Z	SPACER	
78	PFUV1095X1	COVER	ABS
79	PFDE1275Z	LEVER	
80	PFHR1545Z	CASE/COVER	PS
81	PFUS1670Z	COIL SPRING	
82	PFDE1276Z	LEVER	POM
83	PFUS1669Z	TORSION SPRING	
84	PFDJ1083Z	SHAFT	
85	PFHX1834Z	PLASTIC PARTS	

19.2.1.4 Operation Cover Section (3)

Ref. No.	Part No.	Part Name & Description	Remarks
100	N2GZYY000002	IMAGE SENSOR	
101	PFJS07M01Z	CONNECTOR	
102	PFDS1010Z	ROLLER	
103	PFDJ1063Y	SPACER	
104	PFDE1198Z	ARM	
105	PFDG1189Z	GEAR	
106	PFDG1295Z	GEAR	
107	PFDE1199Z	ARM	
108	PFDG1296Z	GEAR	
109	PFUS1440Y	COIL SPRING	
110	PFDJ1098Z	SHAFT	ABS
111	PFDR1044Y	ROLLER	
112	NOT USED		
113	PFUS1441Y	COIL SPRING	
114	PFUG1034W1	GUIDE	PS
115	PFDE1201X	ARM	
116	PFUS1019Z	TORSION SPRING	
117	PFDG1299Z	GEAR	
118	PFDG1297Z	GEAR	
119	PFDG1298Z	GEAR	
120	PFUS1269Y	COIL SPRING	
121	PFDJ1042Z	SPACER	ABS
122	PFDG1294Z	GEAR	
123	PFDS1022Z	ROLLER	
124	PFMH1124Z	METAL PARTS	
125	PFDG1460Z	GEAR	POM

126	PFHX2035Z	SPACER	
-----	-----------	--------	--

19.2.1.5 Pick Up Section

Ref. No.	Part No.	Part Name & Description	Remarks
140	PFKV1138Z2	COVER	PS
141	PFKR1095Z3	GUIDE	PS
142	PFKR1096Z3	GUIDE	ABS
143	PFKE1053Z2	PARTING PLATE	PS
144	PFDG1015Y	GEAR	
145	PFUS1622Z	COIL SPRING	
146	PFKE1052Y2	COVER	PS
147	PFKS1084W1	TRAY	
148	PFHG1154Z	RUBBER PARTS	
149	PFHR1370Z	CASE/COVER	
150	PFHG1155Z	RUBBER PARTS	
151	PFHR1371Z	SHEET PAPER	
152	PFUS1425Z	COIL SPRING	
153	PFUS1424Z	COIL SPRING	
154	PFDG1300Z	GEAR	
155	PFDR1018Z	ROLLER	
156	PFDN1048Z	ROLLER	
157	PFDR1041Z	ROLLER	POM
158	PFUS1423Z	TORSION SPRING	
159	PFHR1368Z	LEVER	
160	PFHR1369Z	LEVER	
161	PFDJ1038Z	SPACER	
162	PFKE1050Z2	CABINET COVER	PS

19.2.1.6 Fuser Section

Ref. No.	Part No.	Part Name & Description	Remarks
180	PFDS1024Z	ROLLER	
181	PFDJ1105Z	SPACER	
182	PFUS1426Z	COIL SPRING	
183	PFUV1101Z	COVER	
184	PFHX1969Z	SPACER	
185	PFHX1976Z	SPACER	
186	PFDG1301Y	GEAR	
187	PFDJ1065Z	SPACER	
188	PFDS1021Z	ROLLER	
189	PFDE1207Z	LEVER	
190	PFDJ1064Z	SPACER	
191	A4DYYY000001	HALOGEN LAMP	
192	PFJT1023Z	TERMINAL-TERMINAL PLATE	
193	PFHR1408Z	LEVER	
194	PFMH1085Z	METAL PARTS	
195	K0BDB0000073	THERMOSTAT	
196	PFJT1021Z	TERMINAL-TERMINAL PLATE	
197	PFRT003	THERMISTOR	S
198	PFJT1022Z	TERMINAL-TERMINAL PLATE	
199	PFHR1372Y	LEVER	
200	PFDR1043Y	ROLLER	
201	PFDR1042X	ROLLER	
202	PFUS1435Z	COIL SPRING	
203	PFDG1302Z	GEAR	
204	PFUA1080Z	CHASSIS	

19.2.1.7 Lower Main Cabinet Section (1)

--	--	--	--

Ref. No.	Part No.	Part Name & Description	Remarks
220	PFMD1099Z	CHASSIS	ABS
221	XWC4BFJ	WASHER	
222	PFJS02P34Z	CONNECTOR	
223	NOT USED		
224	PFJS10N96Z	CORD	
225	PFJE1080Z	LEAD WIRE	
226	PFHX1975Z	SPACER	
227	PFQT2643Z	INDICATION PLATE-LABEL	
228	LPA1621K	LASER UNIT	▲
229	PFHE1233Z	SPACER	
230	PFJS07N93Z	CORD	
231	NOT USED		
232	PFJS08N95Z	CONNECTOR	
233	PQLB1E1	INSULATOR	
234	PFUS1431Z	COIL SPRING	
235	PFJS05N98Z	CONNECTOR	
236	PFUS1449Z	COIL SPRING	
237	PFJS03N97Z	CONNECTOR	
238	PFJS05N94Z	CONNECTOR	
239	K2AH3G000011	JACK	▲
240	PQMX10010Z	COVER, CASE	
241	PQHR945Z	BAND	
242	PFJS02P02Z	CONNECTOR	
243	PQLB1E1	INSULATOR	
244	WLR18YK26CM4	LEAD WIRE	S
245	KR06TT251508	INSULATOR	S
246	PFHG1169Z	RUBBER PARTS	

19.2.1.8 Lower Main Cabinet Section (2)

Ref. No.	Part No.	Part Name & Description	Remarks
270	PFUS1592Z	TORSION SPRING	
271	PFUE1036Z	PLASTIC PARTS	
272	PFUS1028Z	LEAF SPRING	
273	PF0M1006Z	MIRROR	
274	PFUS1662Z	COIL SPRING	
275	PFHX1929Z	SPACER	
276	PFUS1439Z	COIL SPRING	
277	WLL20YG24M3M	LEAD WIRE	
278	PFUS1502Z	TORSION SPRING	
279	PFJS02P12Y	CONNECTOR	
280	PFAS50P006Z	SPEAKER	S

19.2.1.9 Motor Section

Ref. No.	Part No.	Part Name & Description	Remarks
300	PFUA1076Z	CHASSIS	
301	L6HAYYYK0005	DC MOTOR	
302	PFDG1299Z	GEAR	
303	PFUS1019Z	TORSION SPRING	
304	PFDE1201X	ARM	
305	XUC4FJP	RETAINING RING	
306	PFDG1297Z	GEAR	
307	PFDG1457Z	GEAR	POM
308	PFDG1458Z	GEAR	POM

19.2.1.10 Fan Motor Section

Ref. No.	Part No.	Part Name & Description	Remarks

320	PFUV1094Y	CASE/COVER	PS
321	PFUS1667Z	BAR SPRING	
322	PFUS1430Z	TORSION SPRING	
323	PFUS1451Z	COIL SPRING	
324	PFUE1016Z	LEVER	
325	L6FAYYYK0001	DC MOTOR	
326	PFUS1666Z	BAR SPRING	
327	PFUS1664Z	BAR SPRING	
328	PFUS1665Z	BAR SPRING	

19.2.1.11 Lower Cabinet Section (3)

Ref. No.	Part No.	Part Name & Description	Remarks
340	L6HAYYYK0004	DC MOTOR	
341	PFDG1304Y	GEAR	
342	PFMH1184Z	FRAME	
343	PFDG1305Z	GEAR	
344	PFDG1306Y	GEAR	
345	PFOA1083Z	CHASSIS	
346	PFDG1303Z	GEAR	
347	XUC5FJP	RETAINING RING	
348	PFKM1191Y2	CABINET BODY	S PS

19.2.1.12 Gear Section

Ref. No.	Part No.	Part Name & Description	Remarks
360	PFDG1307Z	GEAR	
361	PFDG1189Z	GEAR	
362	PFDG1308Z	GEAR	
363	PFDG1309Z	GEAR	
364	PFDG1297Z	GEAR	
365	PFDG1310Z	GEAR	
366	PFOA1073Z	CHASSIS	ABS
367	PFDG1311Z	GEAR	
368	PFDG1176Z	GEAR	
369	PFDE1272Z	LEVER	POM
370	PFUS1663Z	LEAF SPRING	
371	L9AAACEB0007	PLUNGER	
372	PFOA1074Z	CHASSIS	PBT+ABS

19.2.1.13 Accessories and Packing Materials

Ref. No.	Part No.	Part Name & Description	Remarks
A1	PFQW2361Y	LEAFLET, QUICK INSTALLATION GUIDE	
A2	PFKS1096Z1	TRAY	S ABS
A3	PFQX2655Z	INSTRUCTION BOOK	
A4	PFKS1085Z1	TRAY	S
A5	PFKS1143Y1	GUIDE	S ABS
A6	PQJA10126Z	CORD, CURL	
A7	PFJA02B002Y	CORD, TEL	
A8	PFJA03A010Z	POWER CORD	
A9	PFJXH1005Y	HANDSET	
P1	PFPK3145Z-M	PACKING CASE	S
P2	PFPN1411X	CUSHION	
P3	PFPN1410X	CUSHION	
P4	PFPH1040Y	PROTECTION COVER	ABS
P5	PFPD1279Z	CUSHION	
P6	XZB20X35A04	PROTECTION COVER	
P7	XZB32X45A04	PROTECTION COVER	
P8	PFPH1046Z	PROTECTION COVER	

19.2.2 Digital Board Parts

Ref. No.	Part No.	Part Name & Description	Remarks
PCB1	PFWP1FL403FX	DIGITAL BOARD ASS'Y	
		(ICs)	
IC101	C0GBH0000023	IC	
IC104	C0DBFYY00001	IC	
IC105	PFWIFL403FX	IC (ROM)	
IC106	C1CB00001551	IC	
IC107	C1CB00001566	IC	
IC108	C3ABPG000152	IC	
IC109	C1CB00001985	IC	
IC111	C1CB00002400	IC	
IC114	C0JBAZ001966	IC	
		(TRANSISTORS)	
Q101	2SB1322	TRANSISTOR(SI)	S
Q102	2SB1197K	TRANSISTOR(SI)	S
Q103	PQVTD143Z106	TRANSISTOR(SI)	S
Q104	PQVTD143Z106	TRANSISTOR(SI)	S
Q105	PQVTDTC143E	TRANSISTOR(SI)	S
Q106	B1ABDF000025	TRANSISTOR(SI)	
Q107	B1ABDF000025	TRANSISTOR(SI)	
Q108	PQVTD143Z106	TRANSISTOR(SI)	S
Q109	PQVTD143Z106	TRANSISTOR(SI)	S
Q110	PQVTDTC143E	TRANSISTOR(SI)	S
Q112	PQVTDTC143E	TRANSISTOR(SI)	S
Q113	PQVTD143Z106	TRANSISTOR(SI)	S
Q115	PQVTDTA143XU	TRANSISTOR(SI)	S
Q116	B1ABDF000025	TRANSISTOR(SI)	
Q118	PQVTDTC143E	TRANSISTOR(SI)	S
Q119	PQVTDTC143E	TRANSISTOR(SI)	S
Q120	2SB1197K	TRANSISTOR(SI)	S
Q121	2SB1197K	TRANSISTOR(SI)	S
Q122	2SD1820A	TRANSISTOR(SI)	
Q124	PQVTDTC143E	TRANSISTOR(SI)	S
IC103	B1HAGFF00015	TRANSISTOR(SI)	
		(DIODES)	
D102	PFVDRMRLS245	DIODE(SI)	S
D106	B0JCND000009	DIODE(SI)	
D107	MAZ716000C	DIODE(SI)	
D108	PFVDRMRLS245	DIODE(SI)	S
D111	PQVDRLS73T	DIODE(SI)	S
		(BATTERY)	
BAT101	BR2032/1HF1	LITHIUM BATTERY	IS
		(CONNECTORS)	
CN101	K1KA04AA0193	CONNECTOR, 4PIN	
CN102	K1KA10A00412	CONNECTOR, 10PIN	
CN103	K1KA08A00440	CONNECTOR, 8PIN	
CN104	K1KA07AA0193	CONNECTOR, 7PIN	
CN105	K1KA05A00364	CONNECTOR, 5PIN	
CN106	K1KA05AA0193	CONNECTOR, 5PIN	
CN107	K1KA07AA0193	CONNECTOR, 7PIN	
CN109	PQJS08X53Z	CONNECTOR, 8PIN	
CN110	K1KA08A00440	CONNECTOR, 8PIN	
CN111	K1KA05A00452	CONNECTOR, 5PIN	
CN112	K1KA02AA0193	CONNECTOR, 2PIN	
CN113	K1KA03AA0193	CONNECTOR, 3PIN	
CN114	K1KA03A00495	CONNECTOR, 3PIN	

CN115	K1MN28AA0019	CONNECTOR, 28PIN	
		(CAPACITORS)	
C102	ECJ1VF1H104Z	0.1	
C103	ECA1VM101	100p	
C105	ECUV1C104ZFV	0.1	
C106	ECA1VM101	100p	
C107	ECJ1VF1H104Z	0.1	
C108	ECEA0JKA221	220	S
C109	PFCA1HYK331M	330p	S
C110	ECJ1VF1H104Z	0.1	
C111	ECJ1VF1H104Z	0.1	
C112	ECA1VM101	100p	
C115	ECUV1A105KBV	1	
C116	ECUV1C104ZFV	0.1	
C117	ECEA0JKA101	100	
C119	ECUV1C104ZFV	0.1	
C121	ECUV1C104ZFV	0.1	
C123	ECUV1C104ZFV	0.1	
C124	ECUV1H332KBV	0.0033	
C125	ECA0JM101	100p	
C126	ECUV1C104ZFV	0.1	
C127	ECUV1C104ZFV	0.1	
C129	ECEA0JKA221	220	S
C130	ECJ1VC1H181J	180p	
C131	ECUV1C104ZFV	0.1	
C132	ECJ1VC1H181J	180p	
C133	ECUV1C104ZFV	0.1	
C134	ECUV1C104ZFV	0.1	
C135	ECUV1C104ZFV	0.1	
C136	ECUV1C104ZFV	0.1	
C137	ECUV1H102KBV	0.001	
C138	ECUV1C104ZFV	0.1	
C139	ECUV1C104ZFV	0.1	
C141	ECUV1C104ZFV	0.1	
C142	ECUV1C104ZFV	0.1	
C143	ECUV1C104KBV	0.1	
C144	ECUV1C104KBV	0.1	
C145	ECUV1C104ZFV	0.1	
C146	ECUV1C104KBV	0.1	
C147	ECUV1C104KBV	0.1	
C148	ECUV1C104KBV	0.1	
C149	ECUV1C104ZFV	0.1	
C151	ECUV1C104ZFV	0.1	
C152	ECUV1H120JCV	12p	
C153	ECUV1C104ZFV	0.1	
C154	ECUV1C104ZFV	0.1	
C155	ECUV1H150JCV	15p	
C156	ECUV1C104ZFV	0.1	
C157	ECUV1C104ZFV	0.1	
C158	ECUV1H270JCV	27p	
C159	ECUV1C104ZFV	0.1	
C160	ECUV1C104ZFV	0.1	
C161	ECUV1H102KBV	0.001	
C162	ECUV1C104ZFV	0.1	
C163	ECUV1H102KBV	0.001	
C164	ECUV1C104ZFV	0.1	
C165	ECUV1C104ZFV	0.1	
C166	ECUV1C104ZFV	0.1	
C167	ECUV1C104ZFV	0.1	

C168	ECUV1C104ZFV	0.1	
C172	ECUV1C104ZFV	0.1	
C173	ECUV1C104ZFV	0.1	
C174	ECUV1C104ZFV	0.1	
C175	ECUV1C104ZFV	0.1	
C176	ECUV1C104ZFV	0.1	
C177	ECUV1H270JCV	27p	
C178	ECUV1H270JCV	27p	
C179	ECUV1C104ZFV	0.1	
C180	ECUV1H680JCV	68p	
C181	ECUV1C104ZFV	0.1	
C182	ECUV1H120JCV	12p	
C183	ECUV1H150JCV	15p	
C184	ECUV1H150JCV	15p	
C186	ECUV1C104ZFV	0.1	
C187	ECUV1C104ZFV	0.1	
C188	ECUV1C104ZFV	0.1	
C189	ECUV1H270JCV	27p	
C192	ECUV1C104KBV	0.1	
C194	ECJ1VB1H472K	0.0047	
C195	ECEA1CKA100	10	
C197	ECJ1VB1H102K	0.001	
C198	ECUV1C104ZFV	0.1	
C199	ECUV1C104ZFV	0.1	
C200	ECUV1C104ZFV	0.1	
C202	ECJ1VC1H330J	33p	
C206	ECUV1C104ZFV	0.1	
C208	ECUV1C104ZFV	0.1	
C209	ECUV1H104KBV	0.1	
C212	ECJ1VB1C104K	0.1	
C214	ECUV1E105ZFV	1	
C218	ECJ1VF1E104Z	0.1	
C219	ECJ1VF1E104Z	0.1	
C220	ECUV1C104ZFV	0.1	
C222	ERJ3GEY0R00	0	
C224	ECJ1VC1H181J	180p	
C225	ECUV1H100JCV	10p	
C226	ECJ1VC1H120J	12p	
C227	ECJ1VF1E104Z	0.1	
C228	ECUV1H104KBV	0.1	
C229	ECUV1H104KBV	0.1	
C231	ECUV1C104ZFV	0.1	
C232	ECUV1C104ZFV	0.1	
C234	ECEA1CKA100	10	
C235	ECJ1VF1E104Z	0.1	
C236	ECUV1H102KBV	0.001	
C237	ECUV1H102KBV	0.001	
C238	ECUV1H102KBV	0.001	
C239	ECUV1H102KBV	0.001	
C240	ECUV1H102KBV	0.001	
C241	ECJ1VB1H472K	0.0047	
C242	ECUV1H102KBV	0.001	
C243	ECUV1H102KBV	0.001	
C244	ECUV1H102KBV	0.001	
C245	ECUV1C104ZFV	0.1	
C246	ECJ1VC1H181J	180p	
C247	ECJ1VC1H181J	180p	
C248	ECJ1VC1H181J	180p	
C249	ECA1VM101	100p	

C250	ECJ1VF1H104Z	0.1	
C251	ECUV1C104ZFV	0.1	
C252	ECJ1VF1H104Z	0.1	
C253	ECJ1VF1H104Z	0.1	
C254	ECUV1C104ZFV	0.1	
C255	ECUV1C104ZFV	0.1	
C256	ECUV1C104ZFV	0.1	
C257	ECUV1C104ZFV	0.1	
C258	ECUV1C104ZFV	0.1	
C259	ECUV1C104ZFV	0.1	
C260	ECUV1C104ZFV	0.1	
C261	ECUV1C104ZFV	0.1	
C262	ECUV1C104ZFV	0.1	
C263	ECUV1C104ZFV	0.1	
C264	ECUV1C104ZFV	0.1	
C265	ECUV1C104ZFV	0.1	
C266	ECUV1C104ZFV	0.1	
C267	ECUV1C104ZFV	0.1	
C268	ECUV1C104ZFV	0.1	
C269	ECUV1C104ZFV	0.1	
C270	ECUV1C104ZFV	0.1	
C271	ECUV1C104ZFV	0.1	
C272	ECUV1C104ZFV	0.1	
C273	ECUV1C104ZFV	0.1	
C274	ECUV1C104ZFV	0.1	
C275	ECUV1C104ZFV	0.1	
C276	ECUV1C104ZFV	0.1	
C277	ECUV1C104ZFV	0.1	
C278	ECUV1C104ZFV	0.1	
C279	ECUV1C104ZFV	0.1	
C280	ECUV1C104ZFV	0.1	
C281	ECUV1C104ZFV	0.1	
C282	ECUV1C104ZFV	0.1	
C283	ECJ1VF1H104Z	0.1	
C284	ECJ1VF1H104Z	0.1	
C285	ECJ1VF1H104Z	0.1	
C286	ECJ1VF1H104Z	0.1	
C287	ECJ1VF1H104Z	0.1	
C288	ECJ1VF1H104Z	0.1	
C289	ECJ1VF1H104Z	0.1	
C290	ECJ1VF1H104Z	0.1	
C291	ECJ1VF1H104Z	0.1	
C292	ECJ1VF1H104Z	0.1	
C293	ECJ1VF1H104Z	0.1	
C294	ECJ1VF1H104Z	0.1	
C295	ECJ1VF1H104Z	0.1	
C296	ECJ1VF1H104Z	0.1	
C297	ECJ1VF1H104Z	0.1	
C298	ECJ1VF1H104Z	0.1	
C300	ECJ1VC1H101J	100p	
C301	ECJ1VC1H101J	100p	
C302	ECJ1VC1H101J	100p	
C303	ECJ1VC1H101J	100p	
C304	ECJ1VC1H101J	100p	
C305	ECJ1VC1H101J	100p	
C306	ECJ1VC1H101J	100p	
C307	ECJ1VC1H101J	100p	
C308	ECJ1VC1H101J	100p	
C309	ECJ1VC1H101J	100p	

C310	ECUV1C104ZFV	0.1	
C311	ECUV1H102KBV	0.001	
C312	ECJ1VC1H330J	33p	
C316	ECJ1VC1H101J	100p	
C317	ECJ1VC1H101J	100p	
C318	ECJ1VC1H101J	100p	
C319	ECJ1VC1H101J	100p	
C320	ECJ1VC1H101J	100p	
C321	ECJ1VC1H101J	100p	
C322	ECJ1VC1H101J	100p	
C323	ECJ1VC1H101J	100p	
C324	ECEA0JKA101	100	
C325	ECUV1C104ZFV	0.1	
C326	ECUV1H104KBV	0.1	
C327	ECJ1VC1H101J	100p	
C328	ECJ1VC1H101J	100p	
C329	ECJ1VC1H101J	100p	
		(FUSES)	
F101	K5H202200006	FUSE	
F103	K5H122100005	FUSE	
F104	K5H312Z00001	FUSE	
F105	K5H631200001	FUSE	
		(CERAMIC FILTERS)	
L108	PFVF1B252SDT	CERAMIC FILTER	S
L109	PFVF1B252SDT	CERAMIC FILTER	S
L115	PFVF1B252SDT	CERAMIC FILTER	S
L119	PFVF1B252SDT	CERAMIC FILTER	S
L120	PFVF1B252SDT	CERAMIC FILTER	S
L121	PFVF1B252SDT	CERAMIC FILTER	S
L122	PFVF1B252SDT	CERAMIC FILTER	S
L129	PFVF1B601ST	CERAMIC FILTER	S
L138	PFVF1B601ST	CERAMIC FILTER	S
L139	PFVF1B601ST	CERAMIC FILTER	S
L140	PFVF1B601ST	CERAMIC FILTER	S
		(COILS)	
L101	PQLQR2BT	COIL	S
L103	PFVF2P221SG	COIL	S
L104	PQLQR2KA20T	COIL	S
L105	PQLQR2KB113T	COIL	S
L106	PQLQR2KB113T	COIL	S
L107	PFVF2P221SG	COIL	S
L110	PFVF1B102SP	COIL	
L111	PFVF1B102SP	COIL	
L112	PFVF1B102SP	COIL	
L113	PFVF1B102SP	COIL	
L114	PFVF1B102SP	COIL	
L116	PFVF1B102SP	COIL	
L117	PFVF1B102SP	COIL	
L118	PFVF1B102SP	COIL	
L123	PFVF1B102SP	COIL	
L124	PFVF1B102SP	COIL	
L125	PFVF1B102SP	COIL	
L126	PFVF1B102SP	COIL	
L127	PFVF1B102SP	COIL	
L128	PFVF1B102SP	COIL	
L131	PQLQR2KA20T	COIL	S
L132	PQLQR2KA20T	COIL	S
L133	PQLQR2KA20T	COIL	S
L134	PFVF1B102SP	COIL	

L135	PQLQR2KA20T	COIL	S
L136	PQLQR2KA113	COIL	S
L137	PQLQR2KA113	COIL	S
L141	PQLQR2KA20T	COIL	S
L142	PQLQR2KA113	COIL	S
L143	PQLQR2KA113	COIL	S
L144	PQLQR2KA113	COIL	S
L145	PQLQR2KA113	COIL	S
L146	PFVF1B102SP	COIL	
L147	PFVF1B102SP	COIL	
L148	PFVF1B102SP	COIL	
L149	PFVF1B102SP	COIL	
L151	PFVF2P221SG	COIL	S
L152	PQLQR2BT	COIL	S
L154	PFVF2P221SG	COIL	S
L157	PFVF1B102SP	COIL	
L158	PFVF1B102SP	COIL	
L159	PFVF1B102SP	COIL	
L160	PFVF1B102SP	COIL	
L161	PFVF1B102SP	COIL	
L162	PFVF1B102SP	COIL	
L163	PFVF1B102SP	COIL	
L164	PFVF1B102SP	COIL	
L165	PFVF1B102SP	COIL	
		(IC FILTERS)	
L155	J0JGC0000020	IC FILTER	
L156	J0JGC0000020	IC FILTER	
		(COILS)	
		(RESISTORS)	
L150	ERJ6GEY0R00	0	
L153	ERJ6GEY0R00	0	
R107	ERJ3GEYJ333	33k	
R108	ERJ3GEYJ102	1k	
R113	D0C1R47GA003		
R121	ERJ3GEYJ473	47k	
R122	D0C1R47GA003		
R124	ERJ3GEYJ183	18k	
R140	ERJ3GEYJ472	4.7k	
R141	ERJ3GEYJ103	10k	
R142	ERJ3GEYJ472	4.7k	
R146	ERJ3GEYJ472	4.7k	
R152	ERJ3GEYJ271	270	
R173	ERJ3GEYJ101	100	
R178	ERJ3GEY0R00	0	
R179	ERJ3GEY0R00	0	
R180	ERJ3GEYJ472	4.7k	
R181	ERJ3GEYJ472	4.7k	
R183	ERJ3GEYJ272	2.7k	
R212	ERJ3GEYJ101	100	
R213	ERJ3GEYJ101	100	
R214	ERJ3GEYJ181	180	
R215	ERJ3GEYJ102	1k	
R217	ERJ3GEYJ101	100	
R218	ERJ3GEYJ563	56k	
R219	ERJ3GEYF393	39k	S
R225	ERJ3GEYJ562	5.6k	
R227	ERJ3EKF3302	33k	
R230	ERJ3GEYJ562	5.6k	
R242	ERJ3GEYJ181	180	

R244	ERJ3GEYJ563	56k	
R247	ERJ3GEYJ563	56k	
R262	ERJ3GEYJ472	4.7k	
R264	ERJ3GEY0R00	0	
		(PHOTO ELECTRIC TRANSDUCERS)	
PS101	PFVIRM574SL	PHOTO SENSOR	S
PS102	PFVIRM574SL	PHOTO SENSOR	S
		(RESISTORS)	
R102	ERJ3GEYJ101	100	
R103	ERJ3GEYJ101	100	
R104	ERJ3GEYJ101	100	
R105	ERJ3GEYJ473	47k	
R106	ERJ3GEY0R00	0	
R110	PQ4R18XJ100	10	S
R111	ERDS1VJ152	1.5k	S
R112	ERJ3GEYJ101	100	
R114	ERJ3GEYJ472	4.7k	
R117	ERJ3GEYJ473	47k	
R118	ERJ3GEYJ222	2.2k	
R119	ERJ3GEYJ101	100	
R120	ERJ3GEYJ222	2.2k	
R123	ERJ3GEYJ103	10k	
R125	ERJ3GEY0R00	0	
R126	ERJ3EKF1101	0	
R127	ERJ3EKF3602	0	
R128	ERJ3GEYJ472	4.7k	
R132	ERJ8GEY0R00	0	
R133	ERJ3GEYJ100	10	
R135	ERJ3GEYJ101	100	
R136	ERJ3GEYJ101	100	
R139	ERJ3GEY0R00	0	
R143	ERJ3GEYJ103	10k	
R147	ERJ3GEYJ4R7	4.7	
R148	ERJ3GEYJ4R7	4.7	
R150	ERJ3GEYJ473	47k	
R151	ERJ3GEYJ271	270	
R153	ERJ3GEYJ271	270	
R154	ERJ3GEYJ271	270	
R155	ERJ3GEYJ334	330k	
R156	ERJ3GEYJ475	4.7M	
R157	ERJ3GEYJ222	2.2k	
R158	ERJ3GEY0R00	0	
R161	ERJ3GEYJ220	22	
R163	ERJ3GEYJ103	10k	
R164	ERJ3GEYJ220	22	
R165	ERJ3GEYJ220	22	
R166	ERJ3GEYJ220	22	
R167	ERJ3GEYJ220	22	
R168	ERJ3GEYJ220	22	
R169	ERJ3GEYJ473	47k	
R171	ERJ3GEYJ473	47k	
R172	ERJ3GEYJ101	100	
R174	ERJ3GEYJ470	47	
R175	ERJ3GEYJ105	1M	
R176	ERJ3GEYJ220	22	
R177	ERJ3GEYJ220	22	
R182	ERJ3GEYJ103	10k	
R184	ERJ3GEYJ100	10	
R187	ERJ3GEYJ473	47k	

R188	ERJ3GEYJ101	100	
R189	ERJ3GEYJ101	100	
R190	ERJ3GEYJ101	100	
R191	ERJ3GEYJ101	100	
R192	ERJ3GEYJ473	47k	
R194	ERJ3GEYJ473	47k	
R198	ERJ3GEYJ472	4.7k	
R200	ERJ3GEY0R00	0	
R203	ERJ3GEYJ103	10k	
R205	ERJ3GEY0R00	0	
R206	ERJ3GEYJ221	220	
R207	ERJ3GEYJ473	47k	
R208	ERJ3GEY0R00	0	
R209	PQ4R10XJ331	330	S
R210	ERJ3GEY0R00	0	
R211	ERJ8GEY0R00	0	
R220	ERJ3GEYF393	39k	S
R221	ERJ3GEYJ101	100	
R222	ERJ3EKF2202	22k	
R223	ERJ3EKF2202	22k	
R224	ERJ3EKF1802	18k	
R226	ERJ3GEYJ103	10k	
R228	ERJ3GEYJ102	1k	
R229	ERJ3GEYJ102	1k	
R231	ERJ3GEYJ562	5.6k	
R232	ERJ3GEYJ102	1k	
R233	PQ4R10XJ331	330	S
R234	PQ4R10XJ241	240	S
R235	D0GG472JA002		
R236	D0GG472JA002		
R237	ERJ3GEYJ562	5.6k	
R238	ERJ3GEYJ101	100	
R239	ERJ3GEYJ103	10k	
R240	ERJ3GEYJ103	10k	
R241	ERJ3GEYJ181	180	
R243	ERJ3GEYJ181	180	
R245	ERJ3GEYJ273	27k	
R246	ERJ12YJ390	39	
R248	ERJ3GEY0R00	0	
R249	ERG1SJ271E	270	
R250	ERJ3GEYJ103	10k	
R252	ERJ3GEY0R00	0	
R255	ERJ3GEY0R00	0	
R256	ERJ3GEYJ472	4.7k	
R257	ERJ3GEYJ472	4.7k	
R258	ERJ3GEYJ472	4.7k	
R259	ERJ3GEYJ103	10k	
R261	ERJ3GEYJ472	4.7k	
		COMPONENTS PARTS	
RA101	EXRV8V470JV	RESISTOR ARRAY	S
RA102	EXRV8V470JV	RESISTOR ARRAY	S
RA103	EXRV8V470JV	RESISTOR ARRAY	S
RA104	EXRV8V470JV	RESISTOR ARRAY	S
RA105	EXRV8V470JV	RESISTOR ARRAY	S
RA106	EXRV8V470JV	RESISTOR ARRAY	S
RA107	EXRV8V470JV	RESISTOR ARRAY	S
RA108	EXRV8V470JV	RESISTOR ARRAY	S
RA109	EXRV8V470JV	RESISTOR ARRAY	S
RA110	EXB38V220JV	RESISTOR ARRAY	S

RA111	EXB38V220JV	RESISTOR ARRAY	S
RA112	EXB38V220JV	RESISTOR ARRAY	S
RA113	EXB38V220JV	RESISTOR ARRAY	S
RA114	EXB38V220JV	RESISTOR ARRAY	S
RA115	EXB38V220JV	RESISTOR ARRAY	S
RA116	EXB38V220JV	RESISTOR ARRAY	S
RA117	EXB38V220JV	RESISTOR ARRAY	S
RA118	EXB38V220JV	RESISTOR ARRAY	S
RA119	EXB38V220JV	RESISTOR ARRAY	S
RA120	D1H81014A037	RESISTOR ARRAY	S
RA122	D1H81014A037	RESISTOR ARRAY	S
RA124	D1H81014A037	RESISTOR ARRAY	S
RA125	EXB38VR000	RESISTOR ARRAY	
		(CRYSTAL OSCILLATORS)	
X101	H0A327200096	CRYSTAL OSCILLATOR	
X102	H0A240500005	CRYSTAL OSCILLATOR	
X103	H2A419400008	CRYSTAL OSCILLATOR	
		(OTHERS)	
L102	EXCELDR35	COMPONENTS PARTS	

19.2.3 Analog Board Parts

Ref. No.	Part No.	Part Name & Description	Remarks
PCB2	PFLP1722G-A	ANALOG BOARD ASS'Y (RTL)	▲
		(ICs)	
IC204	C0ABEB000075	IC	
IC205	AN6123MS	IC	
IC206	C0ABEB000083	IC	
IC207	C0JBAR000386	IC	
IC208	C1BB00000129	IC	
IC209	AN6384SBE1V	IC	S
IC210	C0ABEB000075	IC	
IC211	C0ABEB000075	IC	
		(TRANSISTORS)	
Q200	B1AAKL000006	TRANSISTOR(SI)	
Q201	B1ABCF000098	TRANSISTOR(SI)	
Q202	B1ABDF000025	TRANSISTOR(SI)	
Q204	PQVTDTC143E	TRANSISTOR(SI)	S
Q206	B1CCBR000001	TRANSISTOR(SI)	
Q207	PQVTDTC143E	TRANSISTOR(SI)	S
Q210	PQVTDTC143E	TRANSISTOR(SI)	S
Q212	PQVTDTC143E	TRANSISTOR(SI)	S
		(DIODES)	
D200	MA4056	DIODE(SI)	S
D201	MA4056	DIODE(SI)	S
D202	1SS133	DIODE(SI)	S
D203	1SS133	DIODE(SI)	S
D204	1SS133	DIODE(SI)	S
D206	1SS133	DIODE(SI)	S
D207	1SS133	DIODE(SI)	S
D209	B0EDER000009	DIODE(SI)	
D210	MA4056	DIODE(SI)	S
D211	MA4056	DIODE(SI)	S
D212	1SS133	DIODE(SI)	S
D215	1SS133	DIODE(SI)	S
		(FUSE)	
F200	K5G102A00041	FUSE	
		(CAPACITORS)	
C219	ECJ1VC1H151J	150p	

C220	ECUV1C104KBV	0.1	
C222	ECUV1C104KBV	0.1	
C226	ECJ1VC1H151J	150p	
C228	ECUV1C104ZFV	0.1	
C231	ECA1VM101	100p	S
C234	ECUV1E183KBV	0.018	S
C236	ECUV1A334KBV	0.33	
C237	ECUV1H122KBV	0.0012	
C238	ECJ1VB1H822K	0.0082	
C239	ECUV1A224KBV	0.22	
C240	ECUV1C104KBV	0.1	
C241	ECUV1H121JCV	120p	
C242	ECUV1C104ZFV	0.1	
C243	ECUV1C104KBV	0.1	
C244	ECUV1E183KBV	0.018	S
C245	ECUV1C563KBV	0.056	
C247	ECEA0JK331	330	S
C248	F2A1H4R70014	4.7	
C250	ECUV1C104ZFV	0.1	
C251	ECUV1C563KBV	0.056	
C252	ECUV1A334KBV	0.33	
C253	F2A1C1000030	10	
C254	ECUV1C273KBV	0.027	
C255	ECUV1H100DCV	10p	
C257	ECUV1H100DCV	10p	
C258	ECUV1H100DCV	10p	
C261	ECEA1CK470	47	S
C262	ECUV1H101JCV	100p	
C263	ECUV1A105ZFV	1	
C265	ECUV1A105ZFV	1	
C266	F2A1H2R20016	2.2	
C267	ECJ1VB1H472K	0.0047	
C268	ECUV1C104KBV	0.1	
C270	ECJ1VC1H391J	390p	
C272	ECJ1VC1H391J	390p	
C275	ECUV1C104KBV	0.1	
C276	ECEA1HKS010	1	S
C277	PFCA1HYK101M	100p	S
C278	ECUV1H332KBV	0.0033	
C281	ECUV1C104KBV	0.1	
C282	ECJ1VC1H681J	680p	
C285	ECEA1CK101	100	S
C286	ECJ1VC1H681J	680p	
C287	ECUV1C823KBV	0.082	
C288	ECUV1H222KBV	0.0022	
C289	ECUV1C683KBV	0.068	
C290	ECUV1A105ZFV	1	
C291	ECUV1A105ZFV	1	
C292	ECUV1C104ZFV	0.1	
C293	ECUV1A224KBV	0.22	
C294	ECUV1H820JCV	82p	
C295	ECJ1VC1H271J	270p	
C296	ECUV1H270JCV	27p	
C297	ECUV1C104ZFV	0.1	
C298	ECEA0JK221	220	S
C299	F2A1C1000030	10	
C300	ECUV1C104ZFV	0.1	
C301	ECUV1C104ZFV	0.1	
C303	ECUV1C104KBV	0.1	

C305	ECJ1VC1H471J	470p	
C306	ECJ1VC1H471J	470p	
C307	ECJ1VC1H471J	470p	
C308	ECJ1VC1H331J	330p	
C309	ECKD2H681KB	680p	S
C310	ECKD2H681KB	680p	S
C311	F0C2E105A146	1	S
C313	ECJ1VC1H681J	680p	
C314	ECUV1C104KBV	0.1	
C315	ECUV1H103KBV	0.01	
C316	ECUV1H101JCV	100p	
C317	F2A1C1000030	10	
C319	ECUV1H103KBV	0.01	
C321	ECEA1CK470	47	S
C322	ECUV1H103KBV	0.01	
C323	ECUV1H101JCV	100p	
C329	ECUV1C104ZJV	0.1	
C330	F2A1C1000030	10	
C335	ECUV1H392KBV	0.0039	
C336	ECUV1H392KBV	0.0039	
C337	ECUV1H562KBV	0.0056	
C338	ECUV1H272KBV	0.0027	
C339	ECUV1H153KBV	0.015	
C340	ECUV1H102KBV	0.001	
C341	ECUV1H621JCV	620p	
C342	ECUV1H621JCV	620p	
C343	ECUV1H621JCV	620p	
C344	ECUV1H621JCV	620p	
C349	ECJ1VB1H682K	0.0068	
C350	ECJ1VB1H682K	0.0068	
C351	ECJ1VB1H682K	0.0068	
C352	ECUV1H100DCV	10p	
C510	ECUV1C104KBV	0.1	
		(CONNECTORS & JACKS)	
CN200	K1MN28AA0019	CONNECTOR, 28PIN	
CN204	K1KA02A00587	CONNECTOR, 2PIN	
CN206	PQJJ1TC5Z	JACK	S
CN207	PQJJ1TC5Z	JACK	S
CN214	K2LA1YYB0001	JACK	
		(CERAMIC FILTERS)	
J401	PFVF1B252SDT	CERAMIC FILTER	S
J402	PFVF1B252SDT	CERAMIC FILTER	S
L220	PFVF1B252SDT	CERAMIC FILTER	S
L221	PFVF1B252SDT	CERAMIC FILTER	S
L222	PFVF1B252SDT	CERAMIC FILTER	S
L223	PFVF1B252SDT	CERAMIC FILTER	S
L224	PFVF1B252SDT	CERAMIC FILTER	S
L225	PFVF1B252SDT	CERAMIC FILTER	S
L226	PFVF1B252SDT	CERAMIC FILTER	S
L227	PFVF1B252SDT	CERAMIC FILTER	S
L229	PFVF1B252SDT	CERAMIC FILTER	S
L230	PFVF1B252SDT	CERAMIC FILTER	S
L233	PFVF1B252SDT	CERAMIC FILTER	S
L235	PFVF1B252SDT	CERAMIC FILTER	S
L237	PFVF1B252SDT	CERAMIC FILTER	S
L238	PFVF1B252SDT	CERAMIC FILTER	S
L241	PFVF1B252SDT	CERAMIC FILTER	S
L244	PFVF1B252SDT	CERAMIC FILTER	S
L245	PFVF1B252SDT	CERAMIC FILTER	S

L251	PFVF1B252SDT	CERAMIC FILTER	S
L252	PFVF1B252SDT	CERAMIC FILTER	S
L253	PFVF1B252SDT	CERAMIC FILTER	S
L254	PFVF1B252SDT	CERAMIC FILTER	S
L255	PFVF1B252SDT	CERAMIC FILTER	S
L256	PFVF1B252SDT	CERAMIC FILTER	S
L257	PFVF1B252SDT	CERAMIC FILTER	S
L260	PFVF1B252SDT	CERAMIC FILTER	S
L261	PFVF1B252SDT	CERAMIC FILTER	S
L267	PFVF1B252SDT	CERAMIC FILTER	S
L268	PFVF1B252SDT	CERAMIC FILTER	S
L269	PFVF1B252SDT	CERAMIC FILTER	S
L270	PFVF1B252SDT	CERAMIC FILTER	S
L278	PFVF1B252SDT	CERAMIC FILTER	S
L279	PFVF1B252SDT	CERAMIC FILTER	S
L281	PFVF1B252SDT	CERAMIC FILTER	S
L282	PFVF1B252SDT	CERAMIC FILTER	S
L283	PFVF1B252SDT	CERAMIC FILTER	S
L284	PFVF1B252SDT	CERAMIC FILTER	S
L285	PFVF1B252SDT	CERAMIC FILTER	S
L286	PFVF1B252SDT	CERAMIC FILTER	S
L289	PFVF1B252SDT	CERAMIC FILTER	S
L290	PFVF1B252SDT	CERAMIC FILTER	S
L297	PFVF1B252SDT	CERAMIC FILTER	S
L298	PFVF1B252SDT	CERAMIC FILTER	S
		(COILS)	
L258	PFLE003	COIL	S
L262	PQLQR1E32A07	COIL	S
L263	PQLQR1E32A07	COIL	S
L264	PQLQR1E32A07	COIL	S
L266	PQLQR1E32A07	COIL	S
		(PHOTO ELECTRIC TRANSDUCERS)	
PC201	0N3131SKU	PHOTO COUPLER	△ S
PC203	B3PAB0000058	PHOTO COUPLER	△ S
PC205	B3PAA0000425	PHOTO COUPLER	△
PS51	PFVIRM574SL	PHOTO SENSOR	S
		(RESISTORS)	
J394	ERJ3GEY0R00	0	
L246	ERJ3GEY0R00	0	
L265	ERJ3GEY0R00	0	
L271	ERJ3GEY0R00	0	
L272	ERJ3GEY0R00	0	
L273	ERJ3GEY0R00	0	
L274	ERJ3GEY0R00	0	
L275	ERJ3GEY0R00	0	
L276	ERJ3GEY0R00	0	
R211	ERJ3GEYJ223	22k	
R216	ERJ3GEYJ114	110k	
R218	ERJ3GEYJ273	27k	
R223	ERJ3GEYJ114	110k	
R225	PQ4R18XJ100	10	S
R229	ERJ3GEYJ473	47k	
R230	ERJ3GEYJ331	330	
R231	ERJ3GEYJ561	560	
R233	ERJ3GEYJ332	3.3k	
R234	ERJ3GEYJ824	820k	
R235	ERJ3GEYJ223	22k	
R236	ERJ3GEYJ104	100k	
R237	ERJ3GEYJ473	47k	

R238	ERJ3GEYJ393	39k	
R239	PQ4R18XJ101	100	S
R240	ERJ3GEYJ103	10k	
R241	ERJ3GEYJ102	1k	
R242	ERJ3GEYJ334	330k	
R244	ERJ3GEYJ102	1k	
R245	ERJ3GEYJ332	3.3k	
R248	ERJ3GEYJ105	1M	
R249	ERDS2TJ120	12	S
R250	ECUV1H270JCV	27P	
R253	ERJ3GEYJ222	2.2k	
R256	ERJ3GEYJ123	12k	
R259	ERJ3GEYJ333	33k	
R260	ERJ3GEYJ333	33k	
R261	ERJ3GEYJ154	150k	
R264	ERJ3GEYJ243	24k	
R266	ERJ3GEYJ823	82k	
R269	ERJ3GEYJ823	82k	
R272	ERJ3GEYJ243	24k	
R273	ERDS2TJ150	15	S
R274	ERJ3GEYJ102	1k	
R275	ERJ3GEYJ101	100	
R276	ERJ3GEYJ562	5.6k	
R282	ERJ3GEYJ153	15k	
R283	ERJ3GEYJ682	6.8k	
R285	PQ4R18XJ100	10	S
R286	ERJ3GEYJ303	30k	
R287	ERJ3GEYJ683	68k	
R288	ERJ3GEYJ104	100k	
R289	ERJ3GEYJ473	47k	
R292	ERJ3GEYJ103	10k	
R293	ERJ3GEYJ102	1k	
R294	ERJ3GEYJ103	10k	
R295	ERJ3GEYJ103	10k	
R296	ERJ3GEYJ472	4.7k	
R297	ERJ3GEYJ102	1k	
R298	ERJ3GEYJ104	100k	
R299	ERJ3GEYJ102	1k	
R300	ERJ3GEYJ103	10k	
R301	ERJ3GEYJ562	5.6k	
R302	ERJ3GEYJ222	2.2k	
R303	ERJ3GEYJ183	18k	
R304	ERJ3GEYJ394	390k	
R305	ERJ3GEYJ273	27k	
R306	ERJ3GEYJ334	330k	
R307	ERJ3GEYJ183	18k	
R309	PQ4R18XJ4R7	4.7	S
R315	ERJ3GEYJ124	120k	
R317	ERJ3GEYJ683	68k	
R318	ERJ3GEYJ114	110k	
R320	ERJ3GEYJ224	220k	
R321	ERJ3GEYJ224	220k	
R322	ERDS1TJ473	47k	S
R323	ERJ3GEYJ122	1.2k	
R324	ERJ3GEYJ154	150k	
R326	ERJ3GEYJ820	82	
R327	ERJ3GEYJ820	82	
R328	ERJ3GEYJ820	82	
R329	ERJ3GEYJ102	1k	

R332	ERDS1TJ223	22k	S
R334	ERJ3GEYJ333	33k	
R335	ERJ3GEYJ153	15k	
R340	ERJ3GEYJ681	680	
R341	ERJ3GEYJ182	1.8k	
R342	ERJ3GEYJ182	1.8k	
R343	ERDS1TJ6R8	6.8	S
R356	ERJ3GEYJ472	4.7k	
R357	ERJ3GEYJ472	4.7k	
R358	ERJ3GEYJ472	4.7k	
R359	ERJ3GEYJ104	100k	
R360	ERJ3GEYJ104	100k	
R372	ERJ3GEYJ124	120k	
R373	ERJ3GEYJ124	120k	
R374	ERJ3GEYJ103	10k	
R375	ERJ3GEYJ103	10k	
R377	ERJ3GEYJ103	10k	
R378	ERJ3GEYJ103	10k	
R379	ERJ3GEYJ103	10k	
R381	ERJ3GEYJ103	10k	
R382	ERJ3GEYJ752	7.5k	
R383	ERJ3GEYJ333	33k	
R384	ERJ3GEYJ622	6.2k	
R386	ERJ8GEY0R00	0	
		(RELAYS)	
RLY200	PFSL003Z	RELAY	▲ S
RLY201	PFSL003Z	RELAY	▲ S
		(VARISTORS)	
SA200	PFRZRA311P6T	VARISTOR	S
SA201	J0LS00000024	VARISTOR	▲
ZNR200	ERZVA7D151	VARISTOR	
		(TRANSFORMERS)	
T201	PFLT8E003	TRANSFORMER	▲ S
T202	G4A1A0000172	TRANSFORMER	▲

19.2.4 Exit Sensor Board Parts

Ref. No.	Part No.	Part Name & Description	Remarks
PCB3	PFLP1722RU-B	EXIT SENSOR BOARD ASS'Y (RTL)	
		(CAPACITOR)	
C52	ECUV1H271KBV	270p	
		(CONNECTORS)	
CN51	K1KA03BA0012	CONNECTOR, 3PIN	
CN52	K1KA05B00189	CONNECTOR, 5PIN	
		(PHOTO ELECTRIC TRANSDUCER)	
PS51	PFVIRM574SL	PHOTO SENSOR	S

19.2.5 Drum & Toner Sensor Board Parts

Ref. No.	Part No.	Part Name & Description	Remarks
PCB4	PFLP1722RU-C	DRUM & TONER SENSOR BOARD ASS'Y (RTL)	
		(IC)	
IC60	B4ABC0000001	PHOTO ELECTRIC TRANSDUCER	
		(CAPACITOR)	
C60	ECUV1C104ZFV	0.1	
		(CONNECTOR)	
CN60	K1KA03A00495	CONNECTOR	

19.2.6 Varistor Sensor Board Parts

Ref. No.	Part No.	Part Name & Description	Remarks
PCB5	PFLP1722RU-D	VARISTOR SENSOR BOARD ASS'Y (RTL)	
		(VARISTOR)	
ZNR71	PFRV271NS05K	VARISTOR	


19.2.7 Operation Board Parts

Ref. No.	Part No.	Part Name & Description	Remarks
PCB6	PFWP2FL403RU	OPERATION BOARD ASS'Y (RTL)	
PCB6-1	PFSH1A003Z	SWITCH (SW4)	
		(IC)	
IC101	C1ZBZ0002089	IC	
		(DIODE)	
LED102	B3AAA0000534	DIODE(SI)	
		(CAPACITORS)	
C101	ECEA1CK101	100	S
C102	ECUV1C104ZFV	0.1	
C103	ECUV1C104ZFV	0.1	
C104	ECUV1H102KBV	0.001	S
C105	ECUV1H102KBV	0.001	S
C106	ECUV1H102KBV	0.001	S
C107	ECUV1C104ZFV	0.1	
C109	ECEA1CK101	100	S
C110	ECUV1C104ZFV	0.1	
C112	ECUV1H101JCV	100p	
C113	ECUV1H101JCV	100p	
C114	ECUV1H103KBV	0.01	
C118	ECUV1H103KBV	0.01	
C119	ECUV1H103KBV	0.01	
C120	ECUV1C104ZFV	0.1	
C123	ECUV1C104ZFV	0.1	
C125	ECUV1C104ZFV	0.1	
C126	ECUV1C104ZFV	0.1	
C150	ECUV1H101JCV	100p	
C151	ECUV1H101JCV	100p	
C152	ECUV1H101JCV	100p	
C153	ECUV1A105KBV	1	
C154	ECUV1H102KBV	0.001	S
		(LIQUID CRYSTAL DISPLAY)	
CN101	L5DAAF00001	LCD	
		(CONNECTOR)	
CN102	K1KA08B00243	CONNECTOR	
		(LEAD)	
CN103	PFJP02R04ZA-VL	LEAD	
		(RESISTORS)	
R101	ERJ3GEYJ181	180	
R102	ERJ3GEYJ181	180	
R103	ERJ3GEYJ181	180	
R104	ERJ3GEYJ181	180	
R105	ERJ3GEYJ181	180	
R106	ERJ3GEYJ181	180	
R107	ERJ3GEYJ181	180	
R108	ERJ3GEYJ181	180	
R109	ERJ3GEYJ101	100	
R110	ERJ3GEYJ101	100	
R111	ERJ3GEYJ101	100	
R112	ERJ3GEYJ101	100	
R113	ERJ3GEYJ181	180	
R114	ERJ3GEYJ563	56k	

R115	ERJ3GEYJ331	330	
R116	ERJ3GEYJ101	100	
R117	ERJ3GEYJ472	4.7k	
R118	ERJ3GEYJ101	100	
R119	ERJ3GEYJ472	4.7k	
R121	ERJ3GEYJ122	1.2k	
R122	ERJ3GEYJ4R7	4.7	
R123	ERJ3GEYJ103	10k	
R124	ERJ3GEYJ223	22k	
R126	ERJ3GEYJ331	330	
R151	ERJ3GEYJ123	12k	
R153	ERJ3GEYJ123	12k	
R156	ERJ3GEYJ123	12k	
C108	ECEA1CKS100	0	S
J142	ERJ3GEY0R00	0	
J143	ERJ3GEY0R00	0	
R127	ERJ3GEY0R00	0	
		(COIL)	
L101	PQLQR2KB113T	COIL	S
		(PHOTO ELECTRIC TRANSDUCER)	
PS101	PFVIRM574SL	PHOTO SENSOR	S
		(SWITCHES)	
SW101	EVQ11Y05B	SWITCH	
SW102	EVQ11Y05B	SWITCH	
SW103	EVQ11Y05B	SWITCH	
SW104	EVQ11Y05B	SWITCH	
SW105	EVQ11Y05B	SWITCH	
SW106	EVQ11Y05B	SWITCH	
SW107	EVQ11Y05B	SWITCH	
SW108	EVQ11Y05B	SWITCH	
SW109	EVQ11Y05B	SWITCH	
SW110	EVQ11Y05B	SWITCH	
SW111	EVQ11Y05B	SWITCH	
SW116	EVQ11Y05B	SWITCH	
SW117	EVQ11Y05B	SWITCH	
SW118	EVQ11Y05B	SWITCH	
SW119	EVQ11Y05B	SWITCH	
SW120	EVQ11Y05B	SWITCH	
SW121	EVQ11Y05B	SWITCH	
SW122	EVQ11Y05B	SWITCH	
SW123	EVQ11Y05B	SWITCH	
SW124	EVQ11Y05B	SWITCH	
SW125	EVQ11Y05B	SWITCH	
SW126	EVQ11Y05B	SWITCH	
SW127	EVQ11Y05B	SWITCH	
SW128	EVQ11Y05B	SWITCH	
SW129	EVQ11Y05B	SWITCH	
SW130	EVQ11Y05B	SWITCH	
SW131	EVQ11Y05B	SWITCH	
SW132	EVQ11Y05B	SWITCH	
SW133	EVQ11Y05B	SWITCH	
SW134	EVQ11Y05B	SWITCH	
SW135	EVQ11Y05B	SWITCH	
SW136	EVQ11Y05B	SWITCH	
SW137	EVQ11Y05B	SWITCH	
SW138	EVQ11Y05B	SWITCH	
SW139	EVQ11Y05B	SWITCH	
SW140	EVQ11Y05B	SWITCH	
SW151	PFSH1A005Z	SWITCH	S

		(THERMISTOR)	
TH101	D4CC11030019	THERMISTOR	

19.2.8 High Voltage Power Supply Board Parts

Ref. No.	Part No.	Part Name & Description	Remarks
PCB7	N0GG4E000005	HIGH VOLTAGE POWER BOARD ASS'Y (RTL) 	
		(ICs)	
IC1	NJM2902	IC	
		(TRANSISTORS)	
Q1	2SD1819A	TRANSISTOR(SI)	
Q3	2SD2394	TRANSISTOR(SI)	
Q32	T1032GC002	TRANSISTOR(SI)	S
Q62	2SD2394	TRANSISTOR(SI)	
		(DIODES)	
D1	1SS133	DIODE(SI)	
D2	PFVDMTZJ5R6B	DIODE(SI)	S
D3	1SS133	DIODE(SI)	
D4	PFVDMTZJ39A	DIODE(SI)	S
D5	PFVDMTZJ7R5A	DIODE(SI)	S
D6	1SS133	DIODE(SI)	
D7	PFVDMTZJ12B	DIODE(SI)	S
D8	1SS133	DIODE(SI)	
D9	1SS133	DIODE(SI)	
D11	PFVDRD150S	DIODE(SI)	S
D12	PFVDRD120S	DIODE(SI)	S
D13	PFVDRD120S	DIODE(SI)	S
D14	PFVDRD150S	DIODE(SI)	S
D15	PFVDRD150S	DIODE(SI)	S
D16	PFVDRD150S	DIODE(SI)	S
D61	PFVDMTZJ7R5A	DIODE(SI)	S
D63	PFVDMTZJ39A	DIODE(SI)	S
D65	PFVDRD150S	DIODE(SI)	S
D66	MTZJ22C	DIODE(SI)	
D67	1SS133	DIODE(SI)	
D68	PFVDRD150S	DIODE(SI)	S
D69	PFVDRD150S	DIODE(SI)	S
D70	PFVDRD150S	DIODE(SI)	S
D71	PFVDRD150S	DIODE(SI)	S
D72	PFVDRD150S	DIODE(SI)	S
D73	PFVDRD150S	DIODE(SI)	S
D77	PFVDESJA5703	DIODE(SI)	S
D78	ESJA58-03A	DIODE(SI)	
D79	ESJA58-03A	DIODE(SI)	
		(CAPACITORS)	
C1	EPC3101DR470	47	S
C2	PFCKDB11C683	0.068	S
C3	PFCKDF11H104	0.1	S
C4	PFCKDB33A471	470p	S
C5	PFCKDB11H333	0.033	S
C7	PFCKD8BH103	0.01	S
C8	PFCKDB11E104	0.1	S
C10	PFCKDB11C224	0.22	S
C11	PFCKD10J105	1	S
C31	PFCKDB11H472	0.0047	S
C32	PFCKDB11H333	0.033	S
C33	DEA1X3D121J	120	
C61	PFCKDB11C683	0.068	S
C62	PFCKDB11H333	0.033	S

C64	PFCKD8BH103	0.01	S
C66	PFCKDB33D331	330p	S
C67	PFCKD33F331K	330p	S
C68	PFCKD33F331K	330p	S
		(CONNECTOR)	
CN1	K1KA08A00440	CONNECTOR, 8PIN	S
		(FUUSE)	
F1	K7130AA001	FUUSE	S
		(RESISTORS)	
R1	ERJ3GEYJ333	33k	
R3	ERDS2TJ472	4.7k	
R4	ERJ3GEYJ123	12k	
R5	ERDS2TJ472	4.7k	
R6	ERJ3GEYF333	33k	
R7	ERJ3GEYF333	33k	
R8	ERJ3GEYJ222	2.2k	
R9	ERJ3GEYJ333	33k	
R10	ERJ3GEYJ333	33k	
R11	ERJ6GEYF824	820k	
R12	ERJ6GEYF914	910k	
R13	ERJ3GEYJ224	220k	
R14	ERJ6GEYF914	910k	
R17	ERJ3GEYJ103	10k	
R18	ERJ3GEYJ822	8.2k	
R20	ERJ3GEYF103	10k	
R21	ERJ3GEYF123	12k	
R24	ERJ3GEYF164	160k	
R25	ERJ3GEYJ271	270	
R26	ERJ3GEYF106	10M	
R27	ERJ3GEYJ333	33k	
R31	ERJ3GEYF333	33k	
R32	ERJ3GEYF223	22k	
R34	ERJ3GEYJ472	4.7k	
R35	D1BB4303A055	430k	S
R37	ERJ3GEYJ333	33k	
R40	ERJ3GEYJ224	220k	
R41	ERJ3GEYJ333	33k	
R42	ERJ3GEYJ563	56k	
R43	ERJ3GEYJ222	2.2k	
R44	ERJ3GEYJ225	2.2M	
R45	ERJ3GEYJ225	2.2M	
R46	ERJ3GEYJ225	2.2M	
R47	ERJ3GEYJ225	2.2M	
R48	ERJ6GEYF106	10M	
R49	ERJ6GEYF106	10M	
R50	ERJ3GEYJ102	1k	
R54	ERJ3GEYF394	390k	
R55	ERJ3GEYJ225	2.2M	
R59	ERDS2TJ333	33k	
R64	ERJ3GEYJ472	4.7k	
R65	ERJ3EKF1803	180k	S
R66	ERJ3GEYF103	10k	
R67	ERJ3GEYF274	270k	
R68	ERJ3GEYF272	2.7k	
R70	ERJ3GEYJ103	10k	
R71	ERJ3GEYJ564	560k	
R72	ERJ3GEYJ393	39k	
R74	ERJ3GEYJ751	750	
R75	MHR0414SB506	50M	

		(SWITCHES)	
SW1	PFSHSS3FLP3D	SWITCH	▲ S
SW2	MPU12300MLB0	SWITCH	
		(TRANSFORMERS)	
T1	MSH2AQP431	TRANSFORMER	▲
T6	MSH9AQJ005	TRANSFORMER	▲
		(VARIABLE RESISTOR)	
VR1	EVNCYAA03B14	VARIABLE RESISTOR	

19.2.9 Low Voltage Power Supply Board Parts

Ref. No.	Part No.	Part Name & Description	Remarks
PCB8	N0AC3GF00002	LOW VOLTAGE POWER BOARD ASS'Y (RTL)	▲
		(ICs)	
IC401	BA00BC0W	IC	
IC501	PQ05RDA1	IC	
IC502	PFVITA76431S	IC	S
		(TRANSISTORS)	
Q1	2SK3742	TRANSISTOR(SI)	
Q2	2SC4097	TRANSISTOR(SI)	
Q21	2SC4081	TRANSISTOR(SI)	
Q22	2SC4081	TRANSISTOR(SI)	
Q23	2SC4081	TRANSISTOR(SI)	
Q101	2SC4081	TRANSISTOR(SI)	
Q501	2SC4081	TRANSISTOR(SI)	
		(DIODES)	
D3	MTZJ30	DIODE(SI)	
D4	1SS133	DIODE(SI)	
D5	MTZJ10	DIODE(SI)	
D7	1SS133	DIODE(SI)	
D9	1SS133	DIODE(SI)	
D10	ERA15-16	DIODE(SI)	
D11	ERA15-16	DIODE(SI)	
D12	ERA15-16	DIODE(SI)	
D13	ERA15-16	DIODE(SI)	
D17	1SS133	DIODE(SI)	
D20	PFVDERA9102	DIODE(SI)	S
D22	1SS133	DIODE(SI)	
D23	1SS133	DIODE(SI)	
D27	MTZJ5.6	DIODE(SI)	
D101	PFVDYG911S2	DIODE(SI)	S
D104	PFVDTZPT8130	DIODE(SI)	S
D110	HZSL7L	DIODE(SI)	
D401	CB833-04	DIODE(SI)	
D501	CB833-04	DIODE(SI)	
D504	PFVDHZ12	DIODE(SI)	S
D505	1SS133	DIODE(SI)	
D506	1SS133	DIODE(SI)	
		(CAPACITORS)	
C1	PFCKDLE224M	0.22	▲ S
C5	KMQ450VB68M	68	▲
C6	PFKD2E3K222M	2200p	▲ S
C7	PFCKDE3KX472	4700p	▲
C8	PFCKD1X3D470	47p	S
C9	PFCKDB11H472	0.0047	S
C10	PFCKD8BH103	0.01	S
C13	PFCKDB11H102	0.001	S
C14	PFCKDB31H105	1	S
C15	PFCKD2C1H101	100p	S

C22	PFCKD8BH103	0.01	S
C101	KZE35VB220M	220	
C105	PFCKDB31H104	0.1	S
C108	PFCKDC32H102	0.001	S
C109	PFCKDB31H104	0.1	S
C401	PFCEA16ZL330	33p	S
C402	PFCEA35ZL33	33	S
C405	GRM40B105	1	
C406	DEHR33A221	220p	
C501	PFCEA16ZL330	33p	S
C502	PFCEA35ZL33	33	S
C505	PFCKDB31H104	0.1	S
C508	DEHR33A221	220p	
		CONNECTORS	
CN1	PQJP2D98Z	CONNECTOR, 2PIN	▲
CN2	PQJP2D98Z	CONNECTOR, 2PIN	▲ S
CN101	K1KA10A00412	CONNECTOR, 10PIN	S
		(FUSES)	
F1	PFBA0215010	FUSE	▲ S
F2	PFBAS5054R0A	FUSE	▲ S
		(COILS)	
L1	PFLE273F20A	COIL	▲ S
L3	SN8SP-404JA	COIL	▲
L5	PSLEBL02RN1	COIL	S
L101	PSLEBL02RN1	COIL	S
		(PHOTO ELECTRIC TRANSDUCERS)	
PC1	PS2581AL1	PHOTO COUPLER	▲
PC2	PFVITLP363	PHOTO COUPLER	▲ S
		(RESISTORS)	
R1	PFRDT26A105	1M	▲ S
R2	PQ4R10XJ184	180k	S
R3	PQ4R10XJ184	180k	S
R4	PQ4R10XJ154	150k	S
R5	PQ4R10XJ203	20k	S
R6	PQ4R18XJ471	470	S
R7	PQ4R10XJ561	560	S
R8	ERJ3GEYJ333	33k	
R9	ERJ3GEYJ682	6.8k	
R11	PQ4R10XJ822	8.2k	S
R12	ERJ3GEYJ243	24k	
R13	ERJ3GEYJ561	560	
R14	ERJ3GEYJ753	75k	
R19	ERJ2TJ100	10	
R21	PQ4R10XJ473	47k	S
R23	ERJ3GEYJ102	1k	
R24	ERJ3GEYJ473	47k	
R25	PQ4R10XJ000	0	S
R26	ERJ3GEYJ183	18k	
R27	ERJ3GEYJ123	12k	
R28	ERJ3GEYJ682	6.8k	
R29	ERJ3GEYJ153	15k	
R30	ERDS2TJ101	100	
R31	ERDS2TJ101	100	
R32	PFRDT26A100	10	S
R33	PQ4R10XJ151	150	S
R41	PQ4R10XJ154	150k	S
R101	ERJ3GEYJ102	1k	
R102	PQ4R10XJ681	680	S
R103	ERJ3GEYJ333	33k	

R111	PQ4R10XJ153	15k	S
R112	ERJ3GEYJ103	10k	
R114	ERJ3GEYJ752	7.5k	
R130	PQ4R18XJ152	1.5k	S
R131	PQ4R18XJ152	1.5k	S
R471	ERJ3GEYJ183	18k	
R473	ERJ3GEYJ103	10k	
R501	ERDS2TJ271	270	
R503	PQ4R10XJ000	0	S
R511	PQ4R10XJ181	180	S
R512	PQ4R10XJ181	180	S
R513	PQ4R10XJ181	180	S
R514	PQ4R10XJ153	15k	S
R515	PQ4R10XJ682	6.8k	S
R516	PQ4R10XJ682	6.8k	S
R517	PQ4R10XJ682	6.8k	S
		(OTHERS)	
SCR1	TM1261I	SWITCH	
T1	PFLT125D1	TRANSFORMER	▲ S
VR101	ECNCYAA03B53	VARIABLE RESISTOR	S
Z1	PFRZCENC751	VARISTOR	▲ S

19.2.10 Service Fixture and Tools

Ref. No.	Part No.	Part Name & Description	Remarks
EC1	PQZZ3K5Z	EXTENSION CORD, 3PIN	
EC2	PFZZ5K13Z	EXTENSION CORD, 5PIN	
EC3	PQZZ8K15Z	EXTENSION CORD, 8PIN	
EC4	PQZZ10K8Z	EXTENSION CORD, 10PIN	
EC5	PQZZ4K5Z	EXTENSION CORD, 4PIN	
EC6	PQZZ7K5Z	EXTENSION CORD, 7PIN	
EC7	PQZZ2K1Z	EXTENSION CORD, 2PIN	
EC8	PQZZ3K12Z	EXTENSION CORD, 3PIN	
EC9	PQZZ5K6Z	EXTENSION CORD, 5PIN	
EC10	PQZZ28F1Z	EXTENSION CORD, 28PIN	

YF
KXFL403FX