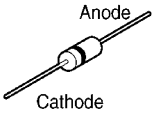
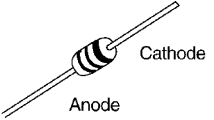
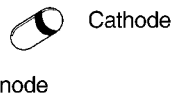
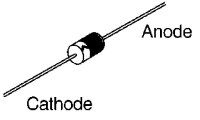
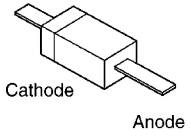
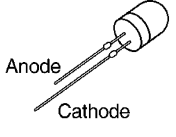
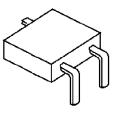
 <p>PQVDHZS2B1</p>	 <p>PFVDD2SLB80 PFVDRU1P, MA165</p>	 <p>MA4062N, MA4056</p>	 <p>RLS71</p>	 <p>PQVDERA81004</p>
 <p>PFVDNECD5R6D</p>	 <p>PFVLRM505VRT</p>	 <p>MA143</p>		

9. FIXTURES AND TOOLS



10. CABINET, MECHANICAL AND ELECTRICAL PARTS LOCATION

10.1. GENERAL SECTION



10.2. OPERATION PANEL SECTION

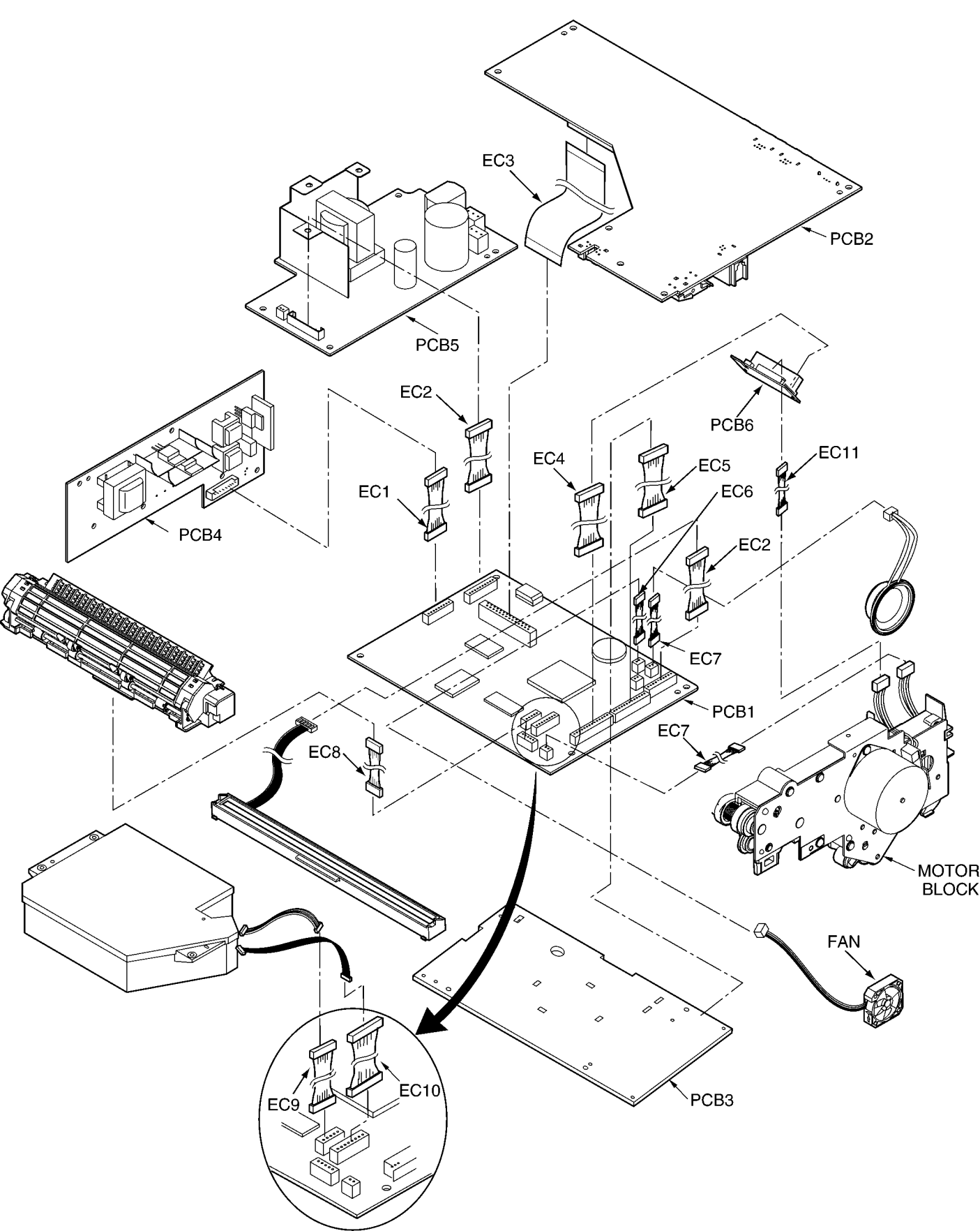
10.2.1. OPERATION PANEL BLOCK (1)

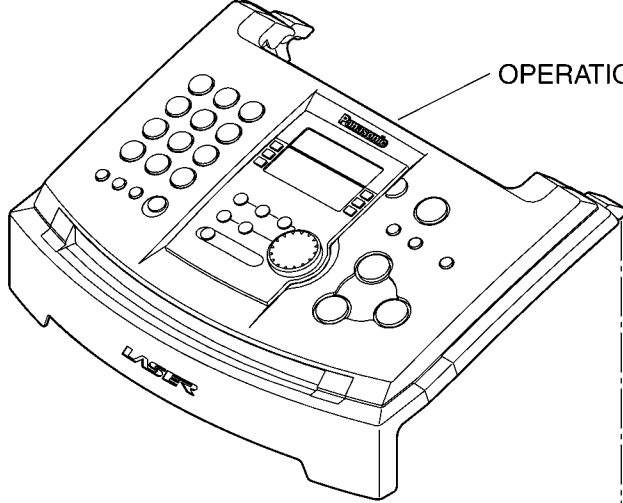


10.2.2. OPERATION PANEL BLOCK (2)

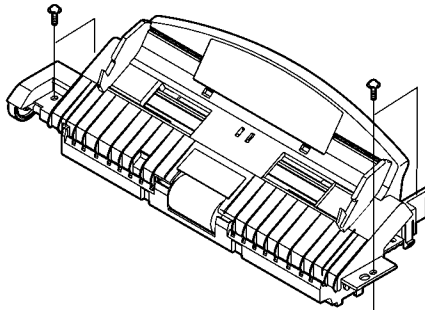


10.3. CABINET/P.C.B. BLOCK

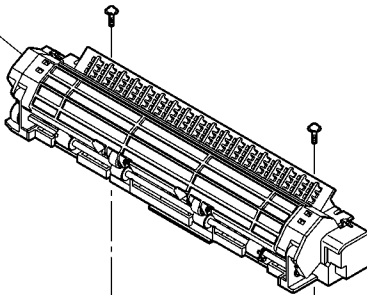




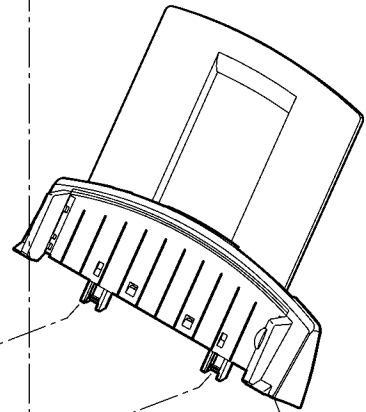
OPERATION PANEL BLOCK



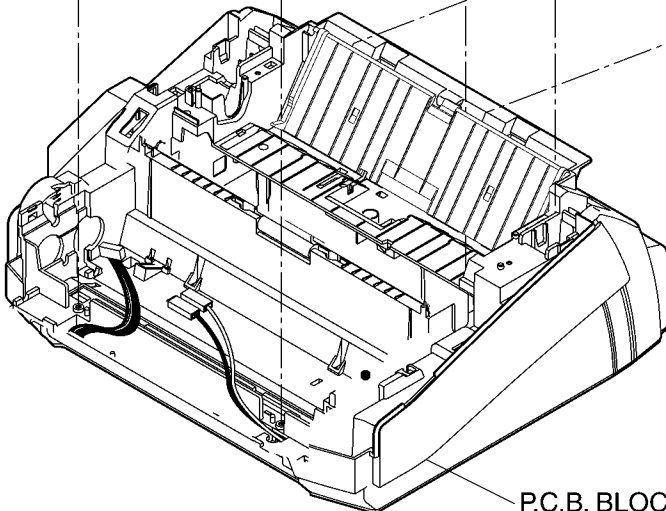
PICK UP BLOCK



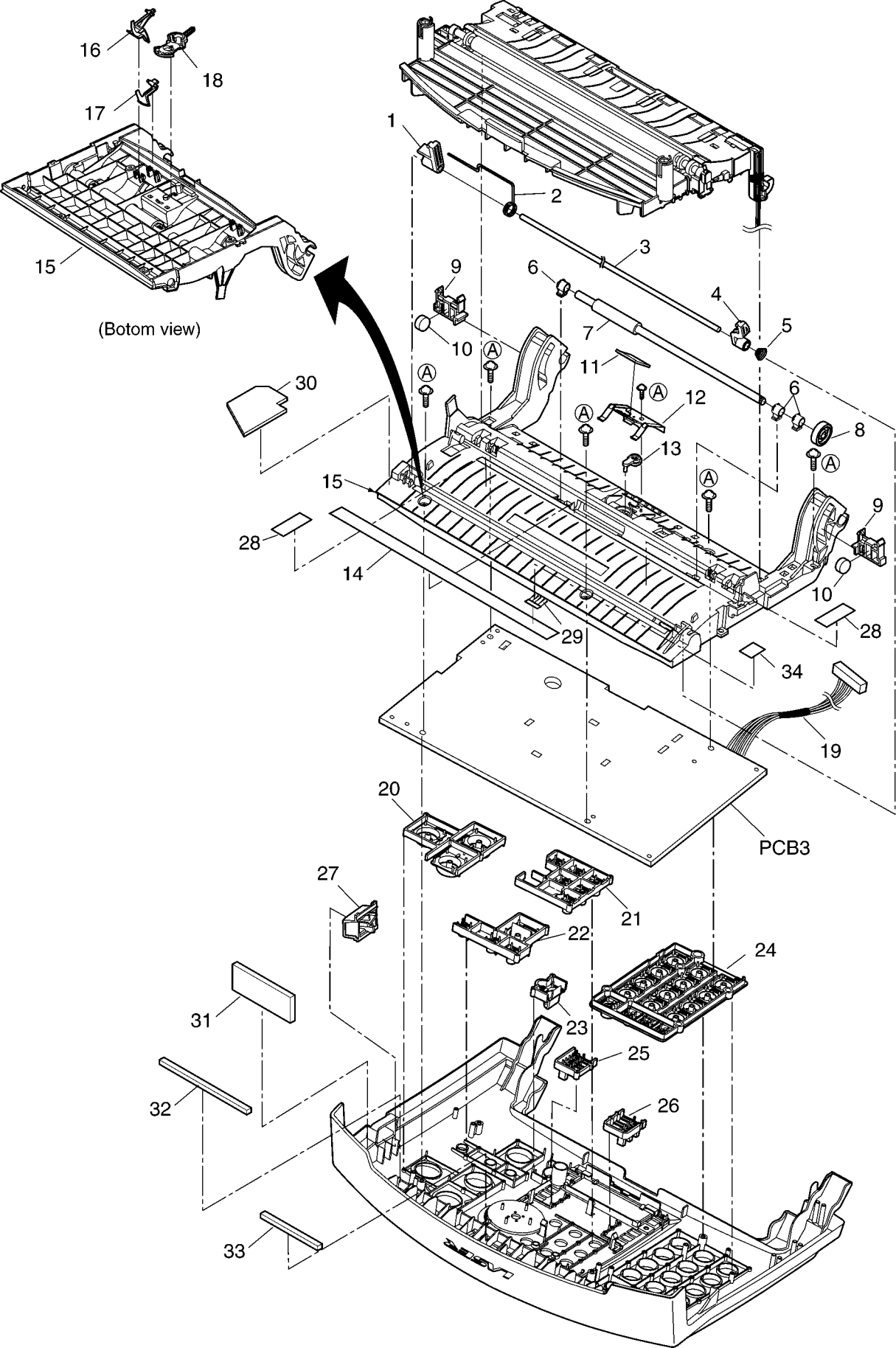
FUSSER BLOCK

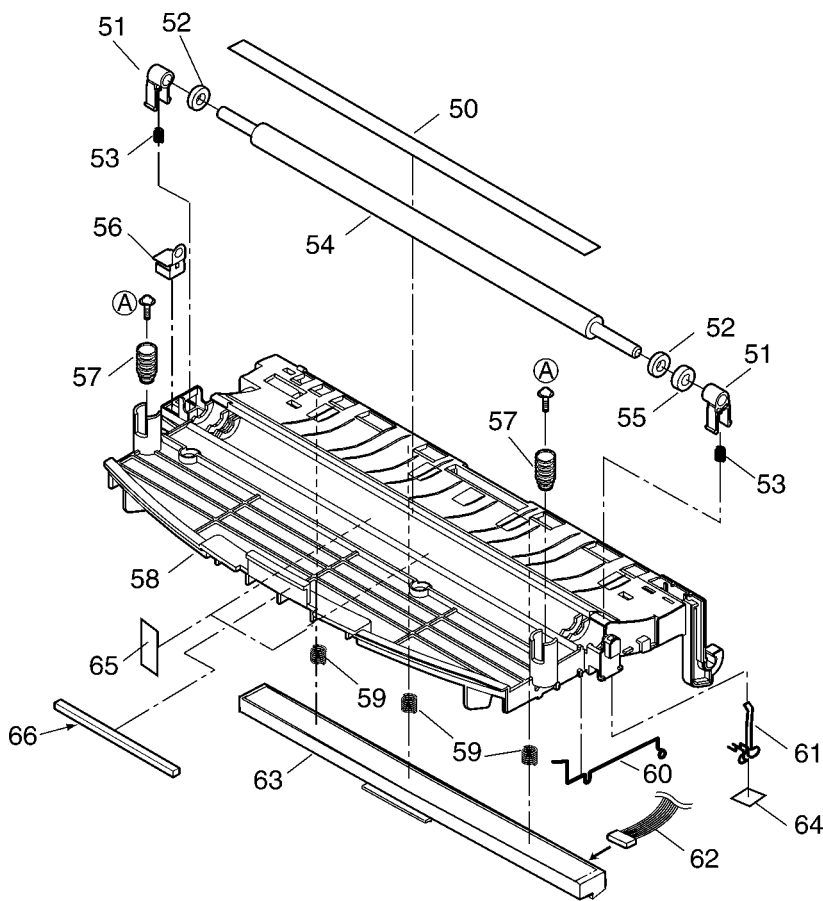
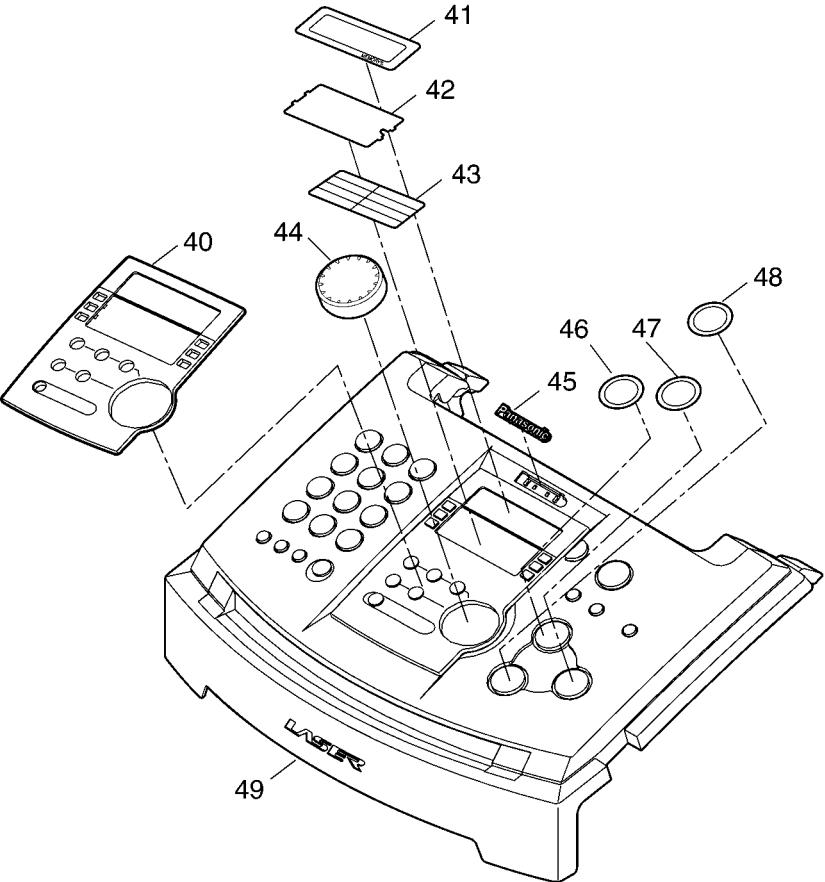


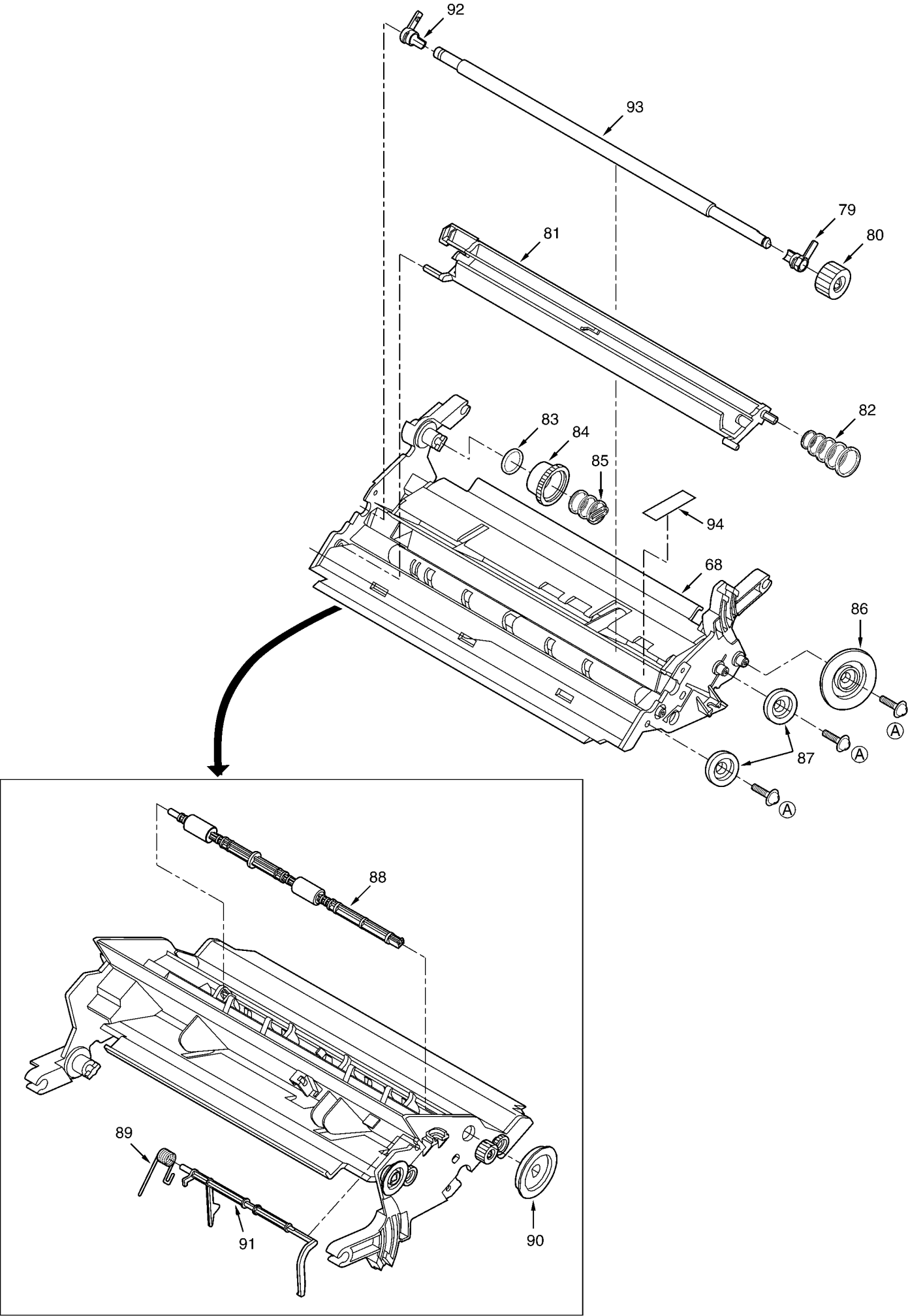
PAPER TRAY

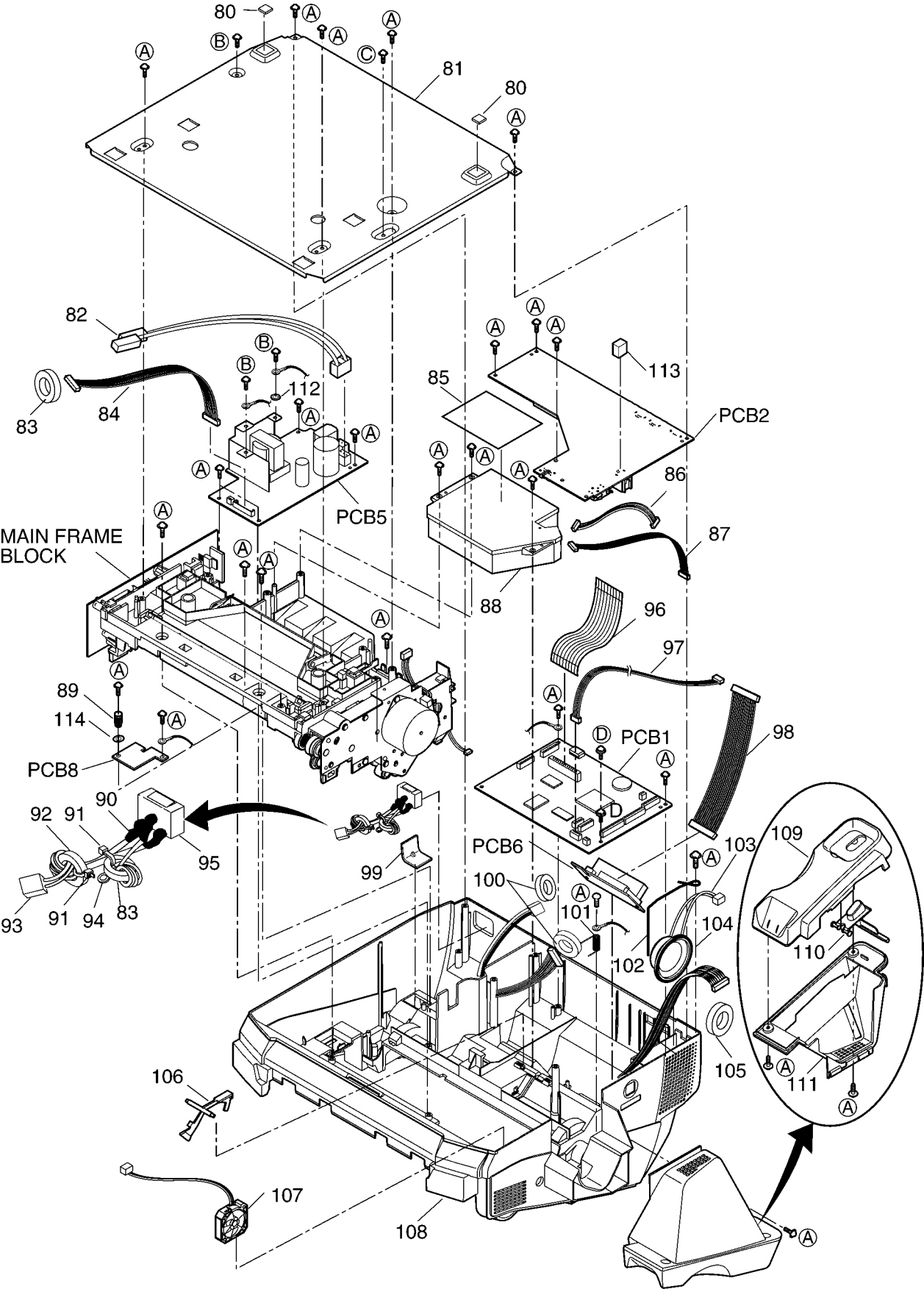


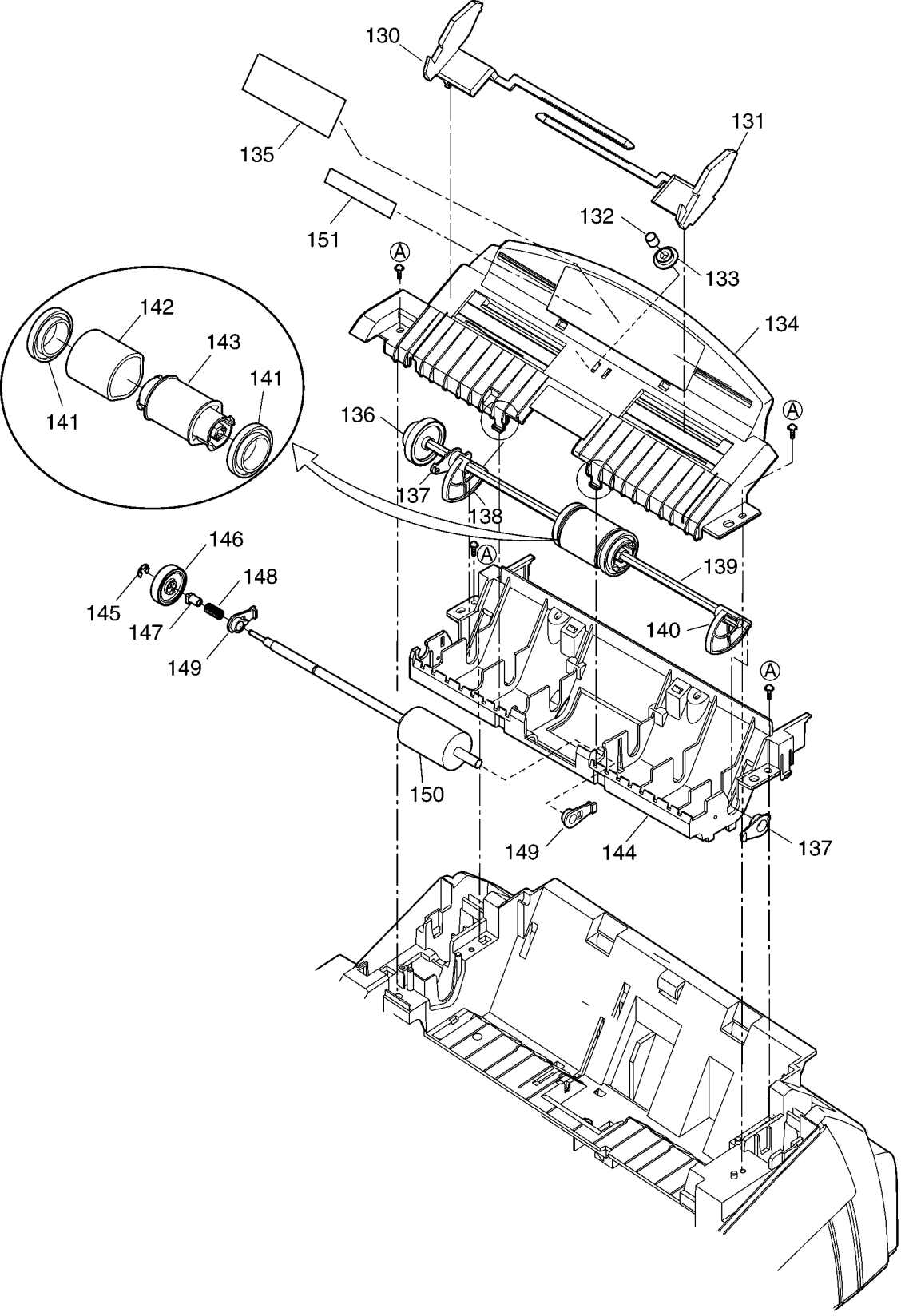
P.C.B. BLOCK/
CABINET BLOCK/
MAIN FRAME BLOCK/
MOTOR BLOCK

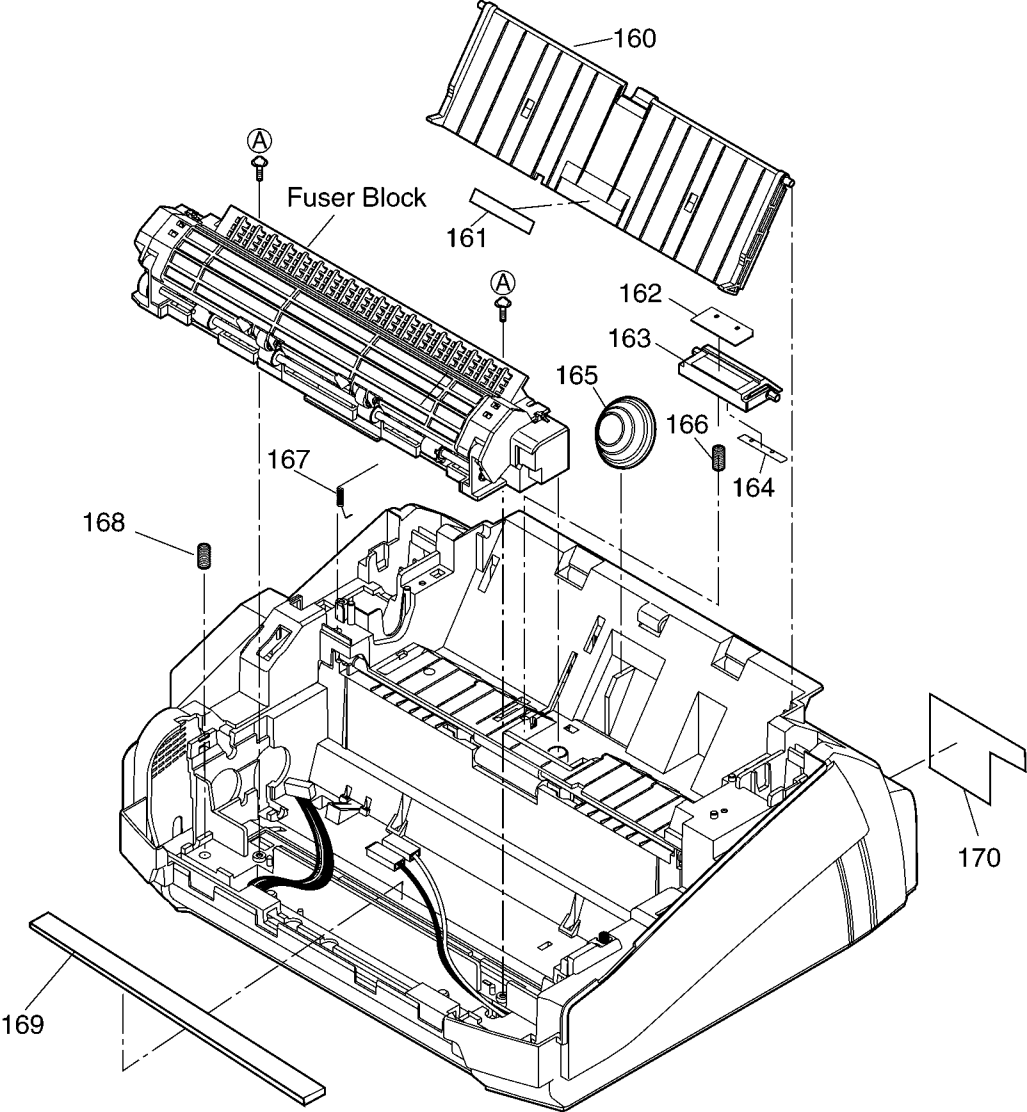




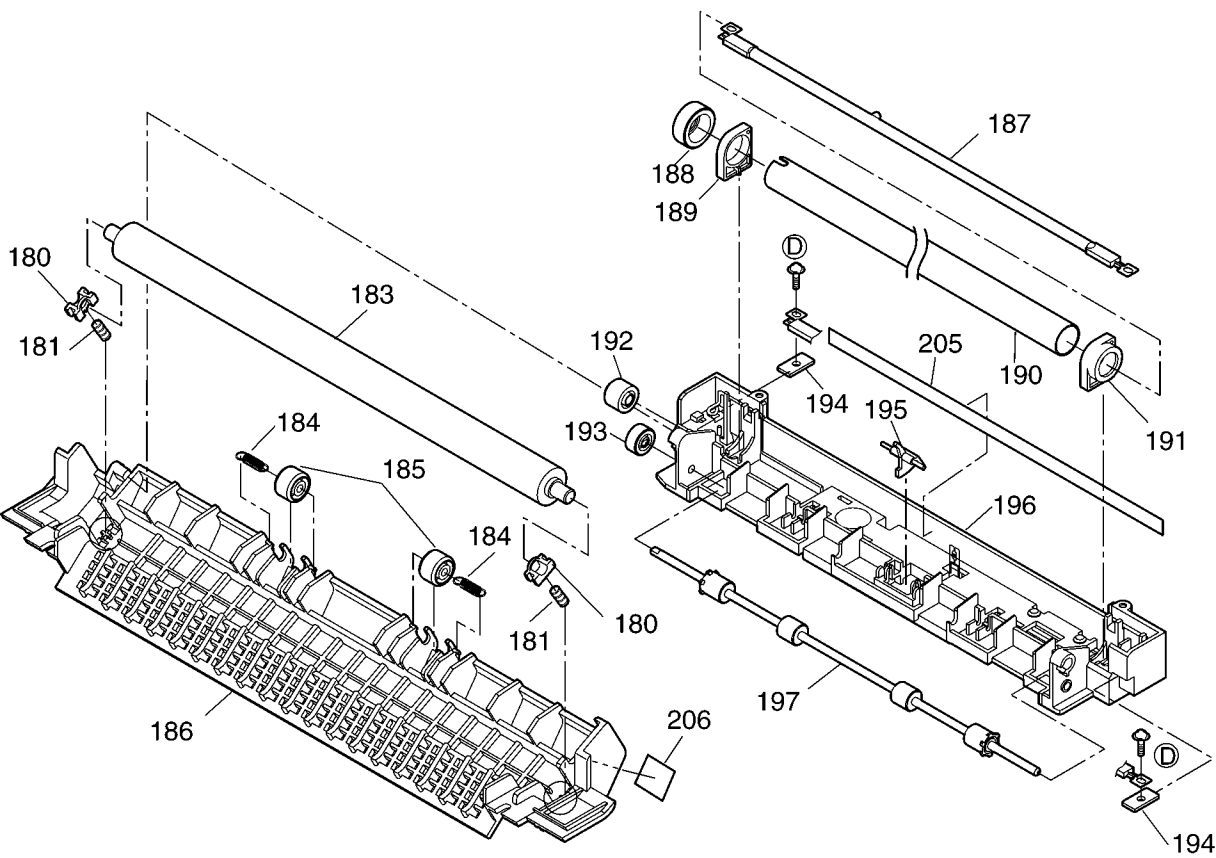




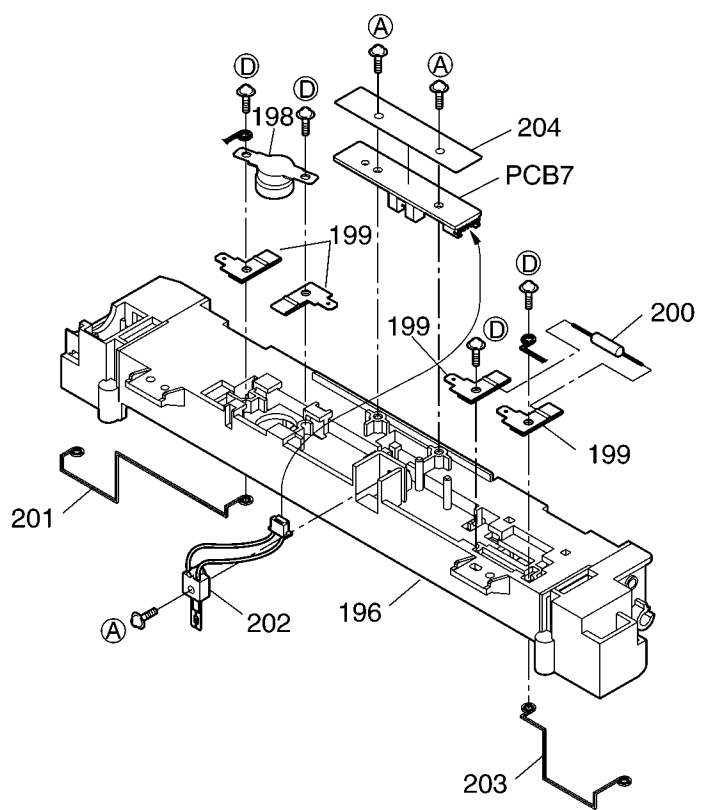


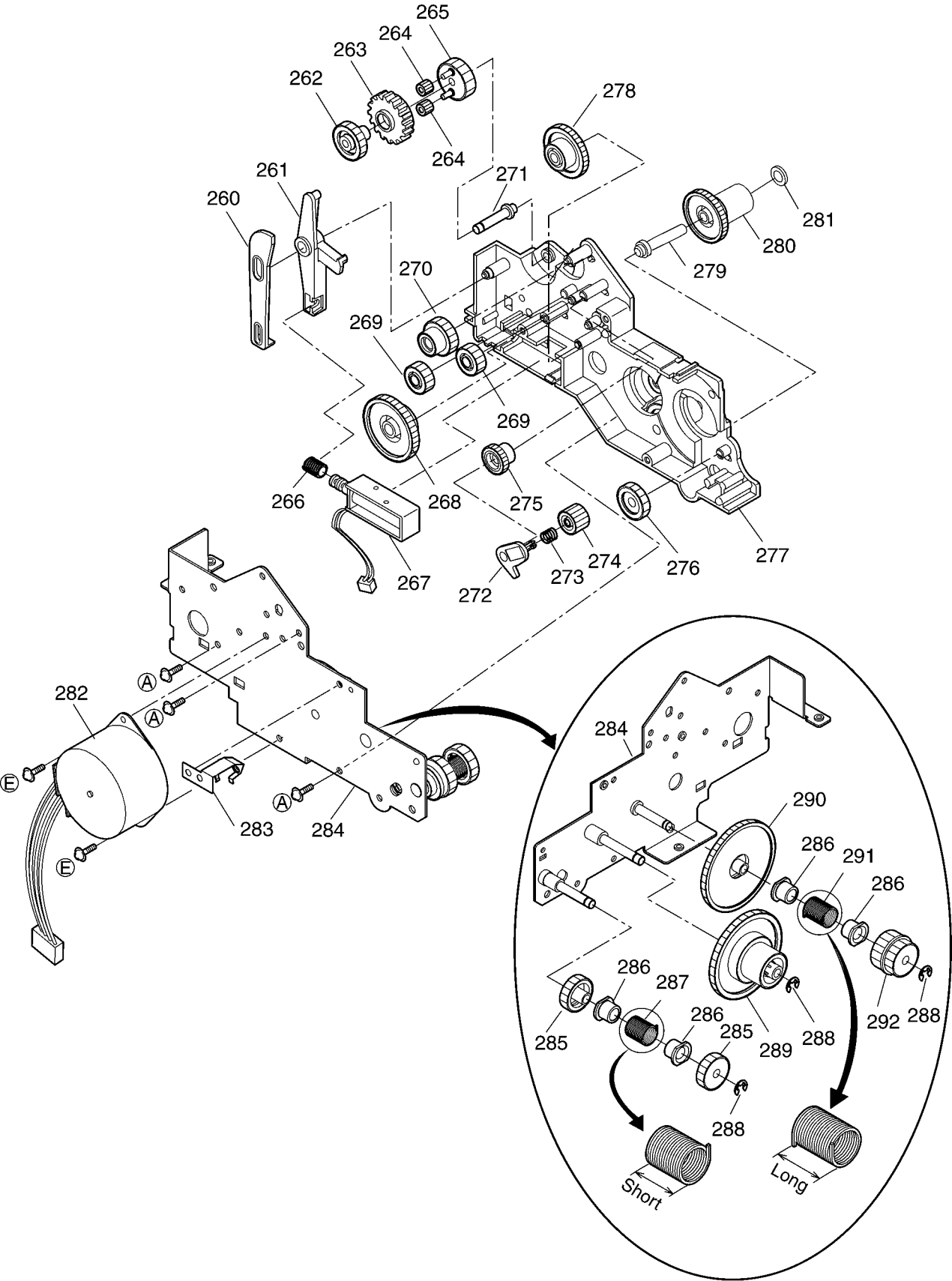


(Top view)



(Bottom view)







10.4. PICK UP BLOCK



10.5. CABINET BLOCK



10.6. FUSER BLOCK



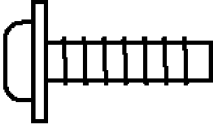
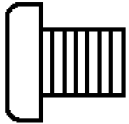
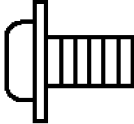
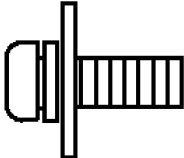

10.7. MAIN FRAME BLOCK



10.8. MOTOR BLOCK



10.9. ACTUAL SIZE OF SCREWS AND WASHER


	Parts No.	Illustration
Ⓐ	XTW3+S10P	
Ⓑ	XSB4+6	
Ⓒ	XTW3+6L	
Ⓓ	XYC3+FF8C	
Ⓔ	XTW3+5LFZ	

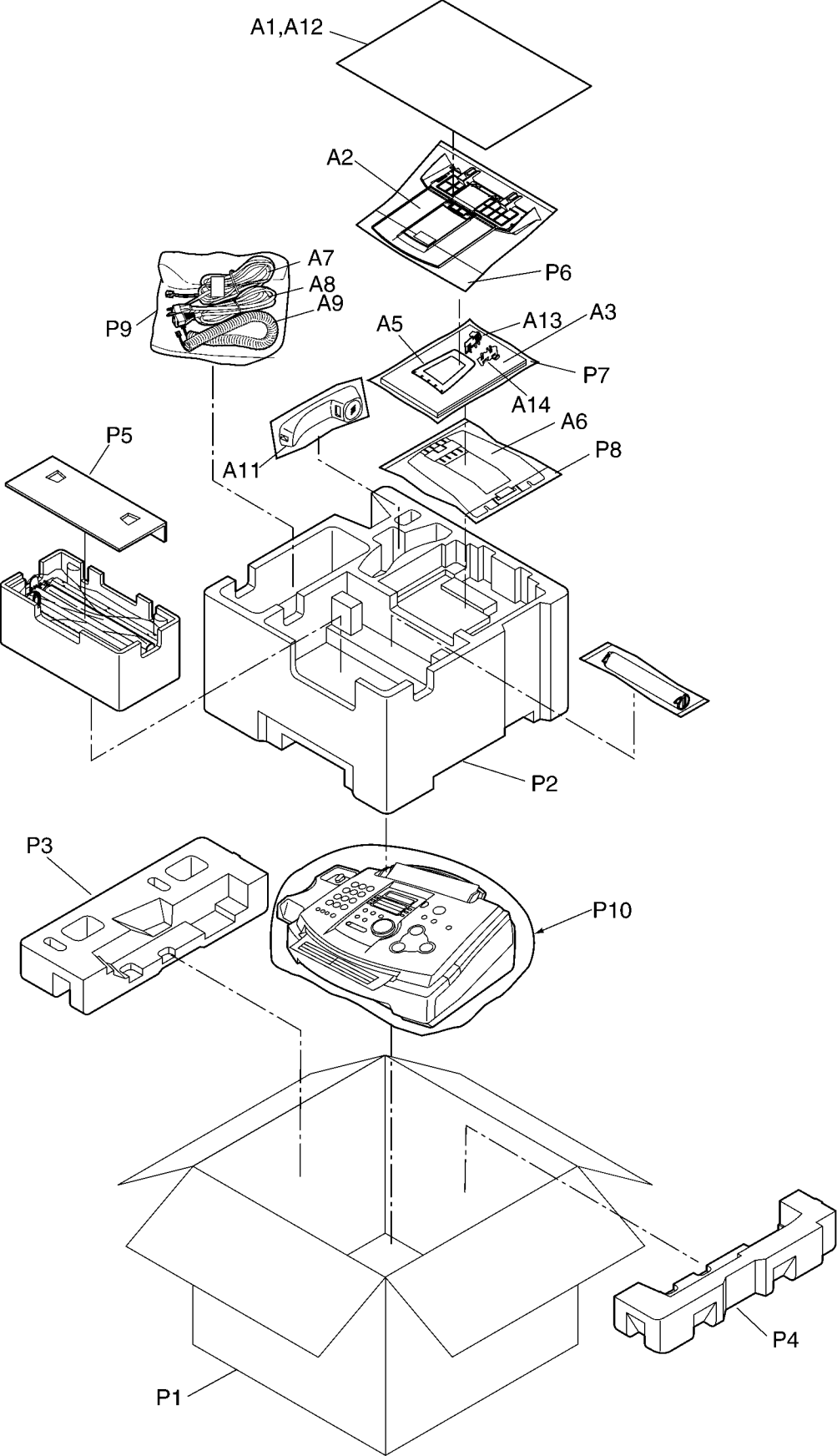
11. ACCESSORIES AND PACKING MATERIALS



12. REPLACEMENT PARTS LIST

Notes:

1. The marking (RTL) indicates that the Retention Time is limited for this item.
After the discontinuation of this assembly in production, the item will continue to be available for a specific period of time. The retention period of availability is dependent on the type of assembly, and in accordance with the laws governing parts and product retention.
After the end of this period, the assembly will no longer be available.
2. Important safety notice
Components identified by  mark have special characteristics important for



safety. When replacing any of these components, use only manufacture's specified parts.

3. The S mark indicates service standard parts and may differ from production parts.

4. RESISTORS & CAPACITORS

Unless otherwise specified;

All resistors are in ohms (Ω) k=1000 Ω , M=1000k Ω

All capacitors are in MICRO FARADS (μ F) P= μ μ F

*Type & Wattage of Resistor

Type

ERC:Solid ERD:Carbon PQ4R:Chip	ERX:Metal Film ERG:Metal Oxide ERO:Metal Film	PQRD:Carbon PQRQ:Fuse ERF:Wire Wound
--------------------------------------	---	--

Wattege

10,16,18:1/8W	14,25,S2:1/4W	12,50,S1:1/2W	1:1W	2:2W	5:5W
---------------	---------------	---------------	------	------	------

ECFD:Semi-Conductor ECQS:Styrol PQCBX,ECUV:Chip ECMS:Mica	ECCD,ECKD,PQCBC,PQVP : Ceramic ECQM,ECQV,ECQE,ECQU,ECQB : Polyester ECEA,ECSZ,ECOS : Electrolytic ECQP : Polypropylene
--	---

Voltage

ECQ Type	ECQG ECQV Type	ECSZ Type	Others	
1H : 50V 2A : 100V 2E : 250V 2H : 500V	05 : 50V 1 : 100V 2 : 200V	OF : 3.15V 1A : 10V 1V : 35V OJ : 6.3V	OJ : 6.3V 1A : 10V 1C : 16V 1E,25 : 25V	1V : 35V 50,1H : 50V 1J : 63V 2A : 100V

12.1. CABINET AND ELECTRICAL PARTS



12.1.1. OPERATION PANEL BLOCK (1)

Ref. No.	Part No.	Part Name & Description	Remarks
1	PFDE1147X	LEVER/ LOCK SHAFT R	
2	PFUS1324Z	SPRING, EARTH OPEN	
3	PFDF1061Z	SHAFT, LOCK LEVER	
4	PFDE1146Y	LEVER/ LOCK SHAFT L	
5	PFUS1282Y	COIL SPRING	
6	PFDJ1007Z	SPACER, 6	
7	PFDN1045X	ROLLER, DOCUMENT FEED	
8	PFDG1004Z	GEAR, DOCUMENT FEED ROLLER	
9	PFME1001Z	SPACER, DAMPER	
10	PFHG1094Z	RUBBER, DAMPER	
11	PFHG1104Y	RUBBER, SEPARATION	
12	PFUS1267Y	SPRING	
13	PFHR1224Z	LEVER, DOCUMENT SEPARATION	
14	PFHE1039Z	SPACER	
15	PFUV1034X	COVER, OPERATION PANEL	
16	PFDE1144X	LEVER/ READ DETECTION	
17	PFDE1145Z	LEVER, DOCUMENT DETECTION	
18	PFHR1225Z	LEVER, LINK ADJUST	
19	PFJS13P10Z	CONNECTOR	
20	PFBX1118Z1	BUTTON, START/STOP/COPY	S
21	PFBX1117Z1	BUTTON, FUNCTION	S
22	PFBX1119Z1	BUTTON, VOLUME	S
23	PFBC1068Z1	BUTTON, AUTO ANSWER	S
24	PFBX1116Y1	BUTTON, DIAL	S
25	PFBX1121Z1	BUTTON, DIALER R	S
26	PFBX1120Z1	BUTTON, DIALER L	S
27	PFBC1067Z1	BUTTON, OPEN	S
28	PFHX1445Y	SPACER, OPERATION PANEL COVER	
29	PFJV1001Y	SPACER, EARTH	
30	PFHE1050Y	INSULATOR, OPERATION PANEL	
31	PFHE1059Z	INSULATOR, OPERATION PANEL	
32	PFHE1058Y	INSULATOR, OPERATION PANEL	
33	PFHE1057Y	INSULATOR, OPERATION PANEL	
34	PFHE1063Z	COVER	

12.1.2. OPERATION PANEL BLOCK (2)

Ref. No.	Part No.	Part Name & Description	Remarks
40	PFGG1055W1	PANEL, SUB	S
41	PFGP1176Z1	PANEL, LCD	S
42	PFGV1010Z	COVER, TELEPHONE NO.	
43	PFGD1045Y	CARD, TELEPHONE NUMBER	
44	PFBE1007Z1	KNOB, JOG DIAL	S
45	PFGB1001Z1	BADGE, PANASONIC	S
46	PFHX1389Z	SPACER, COPY KEY	
47	PFHX1390Z	SPACER, FAX KEY	
48	PFHX1391Z	SPACER, STOP KEY	
49	PFGG1054V1	PANEL, OPERATION	S
50	PFHX1398Y	SPACER, TRANSFER ROLLER	
51	PFDJ1042Z	SPACER, TRANSFER ROLLER	
52	PFDJ1034Z	SPACER, TRANSFER ROLLER	
53	PFUS1269Y	SPRING, TRANSFER ROLLER	
54	PFDS1003Z	ROLLER, TRANSFER	
55	PFDG1211Z	GEAR, TRANSFER ROLLER	
56	PFMH1090Z	METAL PARTS, TRANSFER ROLLER	
57	PFUS1280Y	SPRING, POP UP	
58	PFUG1010X	GUIDE, MIDDLE	
59	PFUS1281Z	SPRING, CIS	
60	PFUS1283Z	SPRING	
61	PFUS1284Y	SPRING	
62	PFJS10P03Z	CONNECTOR	
63	PFWEFL501M	CIS UNIT	
64	PFHX1483Z	COVER	
65	PFHX1446Z	COVER, MIDDLE GUIDE	
66	PFHE1058Y	INSULATOR, OPERATION PANEL SHIELD	

12.1.3. CABINET/ P.C.B. BLOCK


Ref. No.	Part No.	Part Name & Description	Remarks
80	PFHA1001Z	RUBBER, LEG	
81	PFMD1048Z	FRAME, BOTTOM	
82	PFJS02P07Y	CONNECTOR	
83	PQLB1E1	INSULATOR	
84	PFJS10P11Z	CONNECTOR, 10PIN	
85	PFQT1719Z	INDICATION LABEL	
86	PFJS05P06Z	CONNECTOR, 5PIN	
87	PFJS08P05Z	CONNECTOR, 8PIN	
88	LPA1602K	LASER SCANNING UNIT	
89	PFUS1320Z	COIL SPRING	
90	PQMX10010Z	COVER	
91	PQHR945Z	BAND	
92	KR06TT251508	INSULATOR	
93	PFJS02P02Z	CONNECTOR, 2 PIN	
94	WLR18YK26CM4	CONNECTOR, 18 PIN	S
95	PFJP03S04Z	CONNECTOR, 3 PIN	
96	PFJE1023Z	LEAD WIRE	
97	PFJS05P04Z	CONNECTOR, 5 PIN	
98	PFJS14P09Z	CONNECTOR, 14PIN	
99	PFHX1432Z	SPACER	
100	PQLB1E1	INSULATOR	
101	PFUS1278Z	TORSION SPRING	

Ref. No.	Part No.	Part Name & Description	Remarks
102	PFUS1268Z	TORSION SPRING	
103	PFJS02P12Z	CONNECTOR, 2 PIN	
104	PFAS50P006Z	SPEAKER	S
105	PFLB1D001	INSULATOR	
106	PFDE1149Y	LEVER	
107	PFSF1001Z	FAN	
108	PFKM1065Z1	CABINET BODY	S
109	PFKM1066Z1	CABINET, HANDSET CRADLE	S
110	PFBH1015Z1	BUTTON, HOOK	S
111	PFKF1038Y1	CABINET, HANDSET CRADLE	S
112	XWC4B	WASHER	
113	PFHG1119Z	RUBBER, SPACER	
114	XWE3	WASHER	




12.1.4. PICK UP BLOCK

Ref. No.	Part No.	Part Name & Description	Remarks
130	PFKR1018Z1	GUIDE, DOCUMENT L	S
131	PFKR1019Z1	GUIDE, DOCUMENT R	S
132	PFUS1222Z	SPRING, SLIDER	
133	PFDG1015Y	GEAR, SLIDER	
134	PFKE1019Z1	GUIDE, DOCUMENT	S
135	Not Used		
136	PFDG1199Z	GEAR, PICK UP PAPER	
137	PFDJ1038Z	SPACER, PICK UP PAPER	
138	PFDG1212Z	CAM, L	
139	PFDG1060Z	SHAFT,PICK UP ROLLER	
140	PFDG1213Z	CAM, R	
141	PFDR1018Z	ROLLER, PIC UP GUIDE	
142	PFDN1048Z	ROLLER, PICK UP	
143	PFDE1150Z	GUIDE, PICK UP ROLLER	
144	PFUG1011Z1	GUIDE, PICK UP ROLLER	S
145	XUC2FY	RETAINING RING	
146	PFDG1200X	GEAR, SEPARATION ROLLER	
147	PFDE1163Z	SPACER	
148	PQUS10038Z	SPRING, ONE WAY	
149	PFDJ1044Z	SPACER, FEED ROLLER	
150	PFDN1046Z	ROLLER, SEPARATION	
151	PFQT1785	INDICATION LABEL,FACE DOWN	

12.1.5. CABINET BLOCK

Ref. No.	Part No.	Part Name & Description	Remarks
160	PFKS1047Y1	TRAY	S
161	PFHG1105Z	RUBBER PARTS	
162	PFHG1093Z	RUBBER PARTS	
163	PFHR1227W	COVER	
164	PFHX1468X	SPACER	
165	PFUS1276Y	COIL SPRING	
166	PFUS1277Y	COIL SPRING	
167	PFUS1279Y	TORSION SPRING	
168	PFUS1323Z	COIL SPRING	
169	PF0G1004Z	TRANSPARENT PLATE	
170	PFGT1820Z-M	NAME PLATE, AL	

12.1.6. FUSER BLOCK

Ref. No.	Part No.	Part Name & Description	Remarks
180	PFDJ1037Z	SPACER, PRESSURE ROLLER	
181	PFUS1263Z	SPRING, PRESSURE	
182	Not Used		
183	PFDS1005Z	ROLLER, PRESSURE	
184	PFUS1264Z	SPRING, EJECT	
185	PFDR1017Z	ROLLER, SUPORT EJECT	
186	PFUA1032Z	CHASSIS, FUSER	
187	PFAC1002Z	HEETER, 220 FUSER	
188	PFDG1196Z	GEAR, HEAT ROLLER	
189	PFDJ1036Z	SPACER, HEAT ROLLER B	
190	PFDS1004Z	ROLLER, HEAT	
191	PFDJ1035Z	SPACER, HEAT ROLLER A	
192	PFDG1198Z	GEAR	
193	PFDG1197Z	GEAR, EJECT IDLER	
194	PFMH1085Z	METAL PARTS, HEATER BASE	
195	PFDE1142Y	LEVER, EXIT SENSOR	
196	PFUA1031Y	CHASSIS, FUSER	
197	PFDR1016Z	ROLLER, EJECT	
198	PFTA1001Z	THERMOSTAT, FUSER	
199	PFJT1014Y	TERMINAL, ROLLER	
200	PFAE001	FUSE, FUSER	
201	PFJT1016Z	TERMINAL, WIRE B	
202	PFRT003	THERMISTOR, FUSER	
203	PFJT1015Z	TERMINAL, WIRE A	
204	PFHX1437Z	COVER, PROTECTION FUSER	
205	PFHX1442Y	COVER, PROTECTION FUSER	
206	PFQT1741Z	LABEL, HIGH TEMP WARNING	

12.1.7. MAIN FRAME BLOCK




Ref. No.	Part No.	Part Name & Description	Remarks
220	XUC2FY	RETAINING RING	
221	PFDG1201Z	GEAR, FEED ROLLER	
222	PFUS1325Z	SPRING, ONE WAY	
223	PFDJ1044Z	SPACER, FEED ROLLER	
224	PFDN1047Z	ROLLER, FEED PAPER	
225	PFDF1005Z	SHAFT, SUPPORT ROLLER	
226	PQDR9685Y	ROLLER, SUPPORT	
227	PFUS1275Z	SPRING, SHUTTER ROLLER	
228	PFDE1148Z	LEVER, PAPER TOP SENSOR	
229	PFUA1027Y	FRAME	
230	PFUS1272Z	SPRING, TERMINAL	
231	PFUE1002Z	LEVER, COVER OPEN SW	
232	PFQT1722X	LABEL, DRUM INSTALL	
233	PFQT1788Z	LABEL, LASER CAUTION	
234	PFUE1001Z	PLASTIC PARTS, SHUTTER	
235	PFUS1274Z	SPRING, SHUTTER	
236	PFUE1003W	LEVER	
237	PFMH1089Z	METAL PAERS, MIX ROLLER	
238	PFUS1028Z	SPRING, MIRROR LOCK	
239	PF0M1004Z	MIRROR	
240	PFJS09P08Z	CONNECTOR, 9 PIN	
241	PFUS1270Z	SPRING, TERMINAL	
242	PFUS1271Z	SPRING, TERMINAL	
243	PFUS1273Z	SPRING, TERMINAL	

12.1.8. MOTOR BLOCK

Ref. No.	Part No.	Part Name & Description	Remarks
260	PFDE1143Z	LEVER, HOOK	
261	PFDE1139Y	LEVER, GEAR FIX	
262	PFDG1186Z	GEAR, PICK CLUCH	
263	PFDG1188Z	GEAR, PICK CLUCH	
264	PFDG1189Z	GEAR, PICK CLUCH PLANET	
265	PFDG1187Z	GEAR, PICK CLUCH	
266	PFUS1259Y	SPRING, SOLENOID	
267	PFFP1003Z	SOLENOID	
268	PFDG1176Z	GEAR, IDLER	
269	PFDG1177Z	GEAR, IDLER	
270	PFDG1178Z	GEAR, IDLER	
271	PFDF1056Z	SHAFT	
272	PFDE1138X	ARM, AWING	
273	PFUS1019Z	SPRING, THRUST	
274	PFDG1182Z	GEAR, PLANET	
275	PFDG1183Z	GEAR, SUN	
276	PFDG1190Y	GEAR, FUSER IDLER	
277	PFUA1028V	CHASSIS, GEAR A	
278	PFDG1175Z	GEAR, IDLER A	
279	PFDF1057Z	SHAFT	
280	PFDG1185Z	GEAR, DEVELOPER DRIVE	
281	PFNPD052080	WASHER, POLYSLIDER	
282	55SPM25D4NC	MOTOR	
283	PFUS1260Y	SPRING, OPC EARTH	
284	PFUA1029Y	CHASSIS, GEAR B	

Ref. No.	Part No.	Part Name & Description	Remarks
285	PFDG1181Z	GEAR, ONE WAY 2A	
286	PFDJ1031Z	SPACER, ONE WAY	
287	PFUS1262Z	SPRING, ONE WAY 2	
288	XUC4FY	RETAINING RING	
289	PFDG1184Z	GEAR, OPC DRIVE	
290	PFDG1179Z	GEAR, ONE WAY 1A	
291	PFUS1261Z	SPRING, ONE WAY 1	
292	PFDG1180Z	GEAR, ONE WAY 1B	

12.2. ACCESORIES AND PACKING MATERIALS

Ref. No.	Part No.	Part Name & Description	Remarks
A1	PFQW1468Z	QUICK START SHEET	
A2	PFZXFL501M	TRAY, PAPER	
A3	PFQX1504Z	INSTRUCTION BOOK	
A4	Not Used		
A5	PFKS1055Z1	TARAY, DOCUMENT	S
A6	PFZX1FL501M	STACKER,PAPER	
A7	PQJA10075Z	CORD, TEL.	
A8	PQJA10038Y	CORD, POWER	
A9	PFJA1029Z	CORD, CURL	
A10	Not Used		
A11	PFJXE0905Z	HANDSET	
A12	PFQW1548Z	QUICK REFERENCE GUIDE	
A13	PFKS1059Z1	SPACER,A4 PAPER GUIDE(RIGHT)	
A14	PFKS1058Z1	SPACER,A4 PAPER GUIDE (LEFT)	
P1	PFPE1145Z-M	GIFT BOX	
P2	PFPN1247Z	CUSHION, UPPER	
P3	PFPN1245Z	CUSHION, BOTTOM (L)	
P4	PFPN1246Z	CUSHION, BOTTOM (R)	
P5	PFPD1120Z	CUSHION, UPPER	
P6	XZB30X30A04	PROTECTION COVER	
P7	XZB32X45A04	PROTECTION COVER	
P8	XZB20X30A04	PROTECTION COVER	
P9	XZB20X35A04	PROTECTION COVER	
P10	PFPH1011Z	PACKING SHEET	

12.3. DIGITAL BOARD PARTS

Ref. No.	Part No.	Part Name & Description	Remarks
PCB1	PFWP1FL502CX	DIGITAL BOARD ASS'Y (RTL)	
		(ICs)	
IC502	PQVIMC34119M	IC	S
IC503	AN6384SB	IC	
IC505	PQVIMT3274AE	IC	S
IC601	PFVIHY7V56C0	IC	S
IC602	PFVIR675813	IC	
IC603	PFVIMM1385EN	IC	S
IC604	PFVIBSL256SC	IC	
IC605	PFVINSL1087D	IC	S
IC606	PFVIM66430M1	IC	S
IC607	PFWIFL502CX	IC	S
IC608	PFVIS80842AN	IC	S
IC609	PQVITC7H04AF	IC	S
IC610	PQVINJM2903M	IC	S
		(TRANSISTORS)	
Q601	2SC4155S	TRANSISTOR(SI)	S
Q602	2SB1197K	TRANSISTOR(SI)	S
Q603	PQVTDTC143E	TRANSISTOR(SI)	S
Q604	2SB1197K	TRANSISTOR(SI)	S
Q605	PQVTDTC143E	TRANSISTOR(SI)	S
Q607	2SC4155S	TRANSISTOR(SI)	S
Q608	PQVTDTC143E	TRANSISTOR(SI)	S
Q609	PQVTDTC143E	TRANSISTOR(SI)	S
Q610	PQVTDTC143E	TRANSISTOR(SI)	S
Q612	2SC4155S	TRANSISTOR(SI)	S
Q613	2SC4155S	TRANSISTOR(SI)	S
Q614	2SB1197K	TRANSISTOR(SI)	S
		(DIODES)	
D600	RLS71	DIODE(SI)	
D601	RLS71	DIODE(SI)	
D603	PFVDNECD5R6D	DIODE(SI)	S
DA500	MA143	DIODE(SI)	
		(BATTERY)	
BAT600	PFSU1004Z	BATTERY	S
		(CONNECTORS)	
CN500	PQJP02G100Z	CONNECTOR, 2 PIN	
CN600	PQJS28X59Z	CONNECTOR, 28 PIN	
CN602	PQJP5G30Z	CONNECTOR, 5 PIN	S
CN603	PQJP10G30Z	CONNECTOR, 10 PIN	S
CN604	PQJS08X53Z	CONNECTOR, 8 PIN	
CN605	PQJP02G100Z	CONNECTOR, 2 PIN	
CN607	PQJP14G30Y	CONNECTOR, 14 PIN	S
CN608	PQJP05G100Z	CONNECTOR, 5 PIN	
CN609	PQJP8G30Z	CONNECTOR, 8 PIN	S
CN610	PQJP9G30Z	CONNECTOR, 9 PIN	S
CN611	PQJP10G30Z	CONNECTOR, 10 PIN	S
CN613	PQJP3G30Z	CONNECTOR, 3 PIN	S
		(FUSES)	
F601	PFRB0032063T	FUSE	S
F602	PFRB0032200T	FUSE	S

Ref. No.	Part No.	Part Name & Description	Remarks
		(COMPONENTS PARTS)	
RA600	EXB38V101JV	COMPONENTS PARTS	
RA601	EXB38V101JV	COMPONENTS PARTS	
RA610	EXB38V101JV	COMPONENTS PARTS	
RA611	EXB38V101JV	COMPONENTS PARTS	
RA612	EXB38V101JV	COMPONENTS PARTS	
RA613	EXB38V101JV	COMPONENTS PARTS	
RA614	EXB38V101JV	COMPONENTS PARTS	
RA615	PFXBV8V470JV	COMPONENTS PARTS	S
RA616	PFXBV8V470JV	COMPONENTS PARTS	S
RA617	PFXBV8V470JV	COMPONENTS PARTS	S
RA618	PFXBV8V470JV	COMPONENTS PARTS	S
RA619	EXB38V101JV	COMPONENTS PARTS	
RA620	EXB38V101JV	COMPONENTS PARTS	
L615	EXCELDR35	COMPONENTS PARTS	
L617	EXCELDR35	COMPONENTS PARTS	
L623	EXCELDR35	COMPONENTS PARTS	
		(CRYSTAL OSCILLATORS)	
X600	PFVC32256ZAT	CRYSTAL OSCILLATOR	S
X601	PFVCCA24Z	CRYSTAL OSCILLATOR	S
X602	PFVCCFS32Z	CRYSTAL OSCILLATOR	S
		(COILS)	
L603	PQLQR1ET	COIL	S
L606	PQLQR1ET	COIL	S
		(CERAMIC FILTERS)	
L502~	PFVF1B252SDT	CERAMIC FILTER	S
L511			
L513	PFVF1B252SDT	CERAMIC FILTER	S
L516	PFVF1B252SDT	CERAMIC FILTER	S
L517	PFVF1B252SDT	CERAMIC FILTER	S
L519	PFVF1B252SDT	CERAMIC FILTER	S
L521	PFVF1B252SDT	CERAMIC FILTER	S
L600	PFVF2A601ST	CERAMIC FILTER	S
L605	PFVF2A601ST	CERAMIC FILTER	S
L609	PFVF1B601ST	CERAMIC FILTER	S
L610	PFVF1B601ST	CERAMIC FILTER	S
L611~	PFVF1B601ST	CERAMIC FILTER	S
L614			
L618	PFVF2A601ST	CERAMIC FILTER	S
L620	PFVF1B252SDT	CERAMIC FILTER	S
L621	PFVF1B252SDT	CERAMIC FILTER	S
L622	PFVF1B252SDT	CERAMIC FILTER	S
L627	PFVF1B252SDT	CERAMIC FILTER	S
L628	PFVF1B252SDT	CERAMIC FILTER	S
L631	PFVF1B252SDT	CERAMIC FILTER	S
L632	PFVF1B252SDT	CERAMIC FILTER	S
R503	PFVF1B252SDT	CERAMIC FILTER	S
R552~	PFVF1B252SDT	CERAMIC FILTER	S
R555			
R609	PFVF1B252SDT	CERAMIC FILTER	S
R708	PFVF1B252SDT	CERAMIC FILTER	S
X500	PQVBT4.19G2	CERAMIC FILTER	S

Ref. No.	Part No.	Part Name & Description	Remarks
		(RESISTORS)	
J500	ERJ3GEY0R00	0	
L500	ERJ3GEY0R00	0	
L501	ERJ3GEY0R00	0	
L512	ERJ3GEY0R00	0	
L514	ERJ3GEY0R00	0	
L515	ERJ3GEYJ103	10k	
L518	ERJ3GEY0R00	0	
L520	ERJ3GEY0R00	0	
L522	ERJ3GEY0R00	0	
L601	ERJ6GEY0R00	0	
L602	ERJ6GEY0R00	0	
L604	ERJ6GEY0R00	0	
L619	ERJ6GEY0R00	0	
L624	ERJ3GEY0R00	0	
L625	ERJ3GEY0R00	0	
L626	ERJ3GEY0R00	0	
L629	ERJ3GEYJ4R7	4.7	
L630	ERJ3GEY0R00	0	
R500	ERJ3GEYJ103	10k	
R501	ERJ3GEYJ224	220k	
R502	ERJ3GEYJ224	220k	
R504	ERJ3GEYJ823	82k	
R505	ERJ3GEYJ334	330k	
R506	ERJ3GEYJ103	10k	
R507	ERJ3GEYJ394	390k	
R508	ERJ3GEYJ153	15k	
R509	ERJ3GEYJ4R7	4.7	
R510	ERJ3GEYJ103	10k	
R511	ERJ3GEYJ224	220k	
R512	ERJ3GEYJ683	68k	
R514	ERJ3GEYJ101	100	
R515	ERJ3GEYJ101	100	
R516	ERJ3GEYJ101	100	
R520	ERJ3GEYJ393	39k	
R521	ERJ3GEYJ103	10k	
R522	ERJ3GEYJ103	10k	
R523	ERJ3GEYJ4R7	4.7	
R524	ERJ3GEYJ154	150k	
R525	ERJ3GEYJ124	120k	
R526	ERJ3GEYJ563	56k	
R531	ERJ3GEYJ102	1k	
R544	ERJ3GEYJ103	10k	
R547	ERJ3GEYJ100	10	
R548	ERJ3GEYJ102	1k	
R550	ERJ3GEYJ103	10k	
R551	ERJ3GEYJ102	1k	
R600	ERJ3GEYJ102	1k	
R601	ERJ3GEYJ103	10k	
R602	ERJ3GEYJ103	10k	
R603	ERJ3GEYJ272	2.7k	
R604	ERJ3GEYJ222	2.2k	
R605	ERJ3GEYJ681	680	
R606	ERJ3GEYJ472	4.7k	
R607	ERJ3GEYJ222	2.2k	
R608	ERJ3GEYJ102	1k	

Ref. No.	Part No.	Part Name & Description	Remarks
R610	ERJ3GEYJ203	20k	
R614	ERJ3GEYJ101	100	
R615	ERJ3GEYJ101	100	
R616	ERJ3GEYJ103	10k	
R621	ERJ3GEYJ103	10k	
R622	ERJ3GEYJ470	47	
R623	ERJ3GEYJ105	1M	
R624	ERJ3GEYJ101	100	
R625	ERJ3GEY0R00	0	
R626	ERJ3GEYJ101	100	
R627	ERJ3GEYJ101	100	
R628	ERJ3GEYJ222	2.2k	
R629	ERJ8GEYJ8R2	8.2	S
R631	ERJ3GEYJ101	100	
R634	PQ4R18XJ000	0	S
R635	PQ4R18XJ000	0	S
R636	PQ4R18XJ000	0	S
R642	ERJ3GEYJ103	10k	
R644	ERJ3GEYJ103	10k	
R645	ERJ3GEYJ103	10k	
R646	ERJ3GEYJ103	10k	
R647	ERJ3GEYJ103	10k	
R651	ERJ3EKF2202	22k	
R652	ERJ3EKF2202	22k	
R653	ERJ3EKF1802	1.8k	
R654	ERJ3GEYJ562	5.6k	
R655	ERJ3GEYJ563	56k	
R656	ERJ8GEYJ221	220	S
R657	ERJ3GEYJ101	100	
R658	ERJ3GEYJ101	100	
R660	ERJ3GEYJ472	4.7k	
R661	ERJ3GEYJ222	2.2k	
R662	ERJ3GEYJ101	100	
R663	ERJ3GEYJ101	100	
R665	ERJ3GEYJ103	10k	
R669	ERJ3GEYJ103	10k	
R670	ERJ3GEYJ472	4.7k	
R671	ERJ3GEYJ222	2.2k	
R673	ERJ3GEYJ821	820	
R674	ERDS1VJ152	1.5k	S
R675	ERJ3GEYJ392	3.9k	
R676	ERJ3GEYJ103	10k	
R677	ERJ3GEYJ103	10k	
R678	ERJ3EKF2202	22k	
R679	ERJ3EKF2201	2.2k	
R680	ERJ3GEYJ103	10k	
R681	ERJ3GEYJ102	1k	
R682	ERJ3GEYJ102	1k	
R684	ERJ3GEYJ103	10k	
R685	ERG2SJ391	390	
R686	ERJ3GEYJ562	5.6k	
R687	ERJ3GEYJ472	4.7k	
R688	ERJ3GEYJ272	2.7k	
R689	ERJ3GEYJ103	10k	
R690	ERJ3GEYJ101	100	
R691	ERJ3GEYJ101	100	
R692	ERJ3GEYJ393	39k	


Ref. No.	Part No.	Part Name & Description	Remarks
R693	ERJ3GEYJ103	10k	
R698	ERJ3GEYJ103	10k	
R700	ERJ3GEYJ103	10k	
R701	ERJ3GEYJ103	10k	
R703	ERJ3GEYJ473	47k	
R704	ERJ3GEYJ473	47k	
R705	ERJ3GEYJ102	1k	
R706	ERJ3GEYJ101	100	
R707	ERJ3GEYJ101	100	
R709	ERJ3GEYJ101	100	
R710	ERJ3GEYJ101	100	
R711	ERJ3GEYJ563	56k	
R712	ERJ3GEYJ103	10k	
R713	ERJ3GEY0R00	0	
R714	ERJ3GEY0R00	0	
R715	ERJ3GEYJ101	100	
R716	ERJ3GEYJ333	33k	
R717	ERJ3GEYJ103	10k	
R719	ERJ3GEYJ103	10k	
R720	ERJ3GEYJ103	10k	
R721	ERJ3GEYJ102	1k	
R724	ERJ3GEYJ562	5.6k	
R726	ERJ3GEY0R00	0	
R727	ERJ3GEY0R00	0	
R730	PQ4R18XJ000	0	S
R731	ERJ3GEYJ103	10k	
R734	PQ4R18XJ000	0	S
R736	PQ4R18XJ000	0	S
R737	ERJ3GEYJ222	2.2k	
R738	ERJ3GEYJ472	4.7k	
R739	ERJ3GEYJ101	100	
R740	ERJ3GEYJ563	56k	
R741	ERJ3GEY0R00	0	
R743	PQ4R18XJ000	0	S
R744	PQ4R18XJ000	0	S
R746	PQ4R18XJ000	0	S
R747	ERJ3GEYJ4R7	4.7	
		(CAPACITORS)	
C500	ECUV1C104KBV	0.1	S
C501	ECUV1H101JCV	100P	
C502	ECUV1H330JCV	33P	S
C503	ECUV1C104KBV	0.1	S
C505	ECUV1E273KBV	0.027	S
C506	ECUV1C104KBV	0.1	S
C507	ECEA0JK221	220	S
C508	ECUV1C104KBV	0.1	S
C509	ECUV1H330JCV	33P	S
C511	ECUV1E105ZF	1	S
C512	ECUV1H223KBV	0.022	S
C516	ECUV1H681KBV	680P	S
C517	ECUV1C104KBV	0.1	S
C518	ECUV1H471KBV	470P	S
C522	ECUV1C104KBV	0.1	S
C523	ECUV1H102KBV	0.001	S
C525	ECUV1A105ZV	1	S
C526	ECUV1A105ZV	1	S

Ref. No.	Part No.	Part Name & Description	Remarks
C527	ECEA1AU101	100	S
C528	ECUV1C104KBV	0.1	S
C545	ECUV1C104KBV	0.1	S
C548	ECUV1C104KBV	0.1	S
C549	ECEA1HU100	10	S
C550	ECUV1C104KBV	0.1	S
C551	ECUV1H103KBV	0.01	S
C553	ECUV1H103KBV	0.01	S
C558	ECUV1H681KBV	680P	S
C559	ECUV1H681KBV	680P	S
C560	ECUV1C104KBV	0.1	S
C561	ECEA1AU101	100	S
C600	ECUV1C104KBV	0.1	S
C601	ECUV1C104KBV	0.1	S
C602	ECEA1HU100	10	S
C603	ECUV1C104KBV	0.1	S
C604	ECEA1HU100	10	S
C606	ECUV1C104KBV	0.1	S
C609	ECUV1A105ZFV	1	S
C610	ECUV1C104KBV	0.1	S
C611	ECUV1A105ZFV	1	S
C612	ECUV1C104KBV	0.1	S
C613	ECUV1C104KBV	0.1	S
C614	ECUV1C104KBV	0.1	S
C615	ECUV1C104KBV	0.1	S
C616	ECUV1H100DCV	10P	
C617	ECUV1H100DCV	10P	
C618	ECUV1C104KBV	0.1	S
C619	ECEA1HU100	10	S
C620	ECUV1H330JCV	33P	S
C621	ECEA1HU100	10	S
C622	ECEA1HU100	10	S
C623	ECUV1C104KBV	0.1	S
C625	ECUV1C104KBV	0.1	S
C626	ECUV1C104KBV	0.1	S
C627	ECUV1H270JCV	27P	
C630	ECUV1H222KBV	0.0022	
C631	ECUV1H222KBV	0.0022	
C632	ECUV1H100DCV	10P	
C633	ECUV1H100DCV	10P	
C634	ECUV1H270JCV	27P	
C635	ECUV1H270JCV	27P	
C636	ECUV1H270JCV	27P	
C637	ECUV1C104KBV	0.1	S
C638	ECUV1C104KBV	0.1	S
C639	ECUV1H270JCV	27P	
C640	ECUV1H330JCV	33P	S
C641	ECUV1C104KBV	0.1	S
C642	ECUV1C104KBV	0.1	S
C643	ECUV1C104KBV	0.1	S
C644	ECUV1C104KBV	0.1	S
C645	ECUV1C104KBV	0.1	S
C647	ECUV1H150JCV	15P	
C648	ECUV1H150JCV	15P	
C649	ECUV1H270JCV	27P	
C650	ECUV1C104KBV	0.1	S
C652	ECUV1C104KBV	0.1	S

Ref. No.	Part No.	Part Name & Description	Remarks
C653	ECUV1H103KBV	0.01	S
C654	ECUV1C104KBV	0.1	S
C655	ECUV1C104KBV	0.1	S
C656	ECEA0JK221	220	S
C657	ECUV1C104KBV	0.1	S
C658	ECUV1C104KBV	0.1	S
C659	ECUV1C104KBV	0.1	S
C660	ECUV1C104KBV	0.1	S
C661	ECUV1C104KBV	0.1	S
C662	ECUV1H150JCV	15P	
C663	ECUV1H150JCV	15P	
C664	ECUV1H150JCV	15P	
C665	ECUV1H270JCV	27P	
C666	ECUV1C104KBV	0.1	S
C667	ECEA1AU101	100	S
C668	ECUV1C104KBV	0.1	S
C669	ECUV1C104KBV	0.1	S
C670	ECUV1C104KBV	0.1	S
C671	ECUV1C104KBV	0.1	S
C672	ECUV1H100DCV	10P	
C673	ECUV1C104KBV	0.1	S
C674	ECUV1H150JCV	15P	
C675	ECUV1C104KBV	0.1	S
C676	ECUV1H102KBV	0.001	S
C677	ECUV1C104KBV	0.1	S
C678	ECUV1C104KBV	0.1	S
C680	ECUV1C104KBV	0.1	S
C682	ECUV1C104KBV	0.1	S
C683	ECUV1C104KBV	0.1	S
C685	ECUV1H102KBV	0.001	S
C686	ECUV1H332KBV	0.0033	
C687	ECUV1C104KBV	0.1	S
C689	ECUV1H102KBV	0.001	S
C690	ECUV1H102KBV	0.001	S
C691	ECUV1H102KBV	0.001	S
C692	ECUV1H102KBV	0.001	S
C693	ECUV1C104KBV	0.1	S
C694	ECUV1C104KBV	0.1	S
C695	ECUV1H103KBV	0.01	S
C696	ECUV1C104KBV	0.1	S
C697	ECUV1C104KBV	0.1	S
C698	ECUV1C104KBV	0.1	S
C699	ECUV1C104KBV	0.1	S
C700	ECEA1VKA101	100	S
C701	ECEA1AU101	100	S
C702	ECUV1C104KBV	0.1	S
C703	ECUV1C104KBV	0.1	S
C704	ECEA1VKA101	100	S
C705	ECEA1AU101	100	S
C707	ECUV1H102KBV	0.001	S
C708	ECUV1H102KBV	0.001	S
C709	ECUV1H102KBV	0.001	S
C710	ECUV1C104KBV	0.1	S
C712	ECUV1C104KBV	0.1	S
C713	ECUV1C104KBV	0.1	S
C714	ECUV1C104KBV	0.1	S
C715	ECUV1C104KBV	0.1	S

Ref. No.	Part No.	Part Name & Description	Remarks
C716	ECUV1C104KBV	0.1	S
C722	ECUV1H101JCV	100P	
C723	ECUV1H102KBV	0.001	S
C725	ECUV1C104KBV	0.1	S
C726	ECEA1HU100	10	S
C728	ERJ3GEY0R00	0	
C735	ECUV1H101JCV	100P	
C736	ECUV1H103KBV	0.01	S
C737	ECEA1AU221	220	S
C738	ECEA0JU331	330	S

12.4. ANALOG BOARD PARTS

Ref. No.	Part No.	Part Name & Description	Remarks
PCB2	PFLP1300PD-A	ANALOG BOARD ASS'Y (RTL)	
		(ICs)	
IC201	PQVINJM082BM	IC	S
IC202	PQVINJM082BM	IC	S
IC203	PQVINJM082BM	IC	S
IC205	PQVINJM082BM	IC	S
IC206	AN6183SE1	IC	S
		(TRANSISTORS)	
Q202	2SC4155S	TRANSISTOR(SI)	S
Q203	PQVTDTC143E	TRANSISTOR(SI)	S
Q204	2SC2235	TRANSISTOR(SI)	S
Q207	PQVTDTC143E	TRANSISTOR(SI)	S
Q208	2SC4155S	TRANSISTOR(SI)	S
Q209	2SC4155S	TRANSISTOR(SI)	S
Q210	2SA1627	TRANSISTOR(SI)	S
Q214	2SD1921Q	TRANSISTOR(SI)	S
Q215	2SA1627	TRANSISTOR(SI)	S
Q216	PQVTDTC143E	TRANSISTOR(SI)	S
		(DIODES)	
D201	MA4056	DIODE(SI)	
D202	MA4056	DIODE(SI)	
D203	MA4056	DIODE(SI)	
D214	PFVDDGS1ZB60	DIODE(SI)	
D215	MA4056	DIODE(SI)	
D216	MA4056	DIODE(SI)	
D217	PQVDHVS2B1	DIODE(SI)	S
		(CONNECTOR)	
CN200	PQJS28X59Z	CONNECTOR	
		(JACKS)	
CN201	PQJJ1TB18Z	JACK	S
CN202	PQJJ1TC5Z	JACK	S
CN203	PQJJ1TC5Z	JACK	S

Ref. No.	Part No.	Part Name & Description	Remarks
		(COILS)	
FLT200	PFLE126	COIL	S
		(CERAMIC FILTERS)	
FLT201	PQVFN3C223R	CERAMIC FILTER	
FLT202	PQVFN3C223R	CERAMIC FILTER	
FLT203	PQVFN3C223R	CERAMIC FILTER	
FLT204	PQVFN3C223R	CERAMIC FILTER	
FLT205	PQVFN3C223R	CERAMIC FILTER	
FLT220	PQVFN3C223R	CERAMIC FILTER	
FLT221	PQVFN3C223R	CERAMIC FILTER	
FLT222	PQVFN3C223R	CERAMIC FILTER	
L207	PFVF3A601ST	CERAMIC FILTER	S
L209	PFVF3A601ST	CERAMIC FILTER	S
L211	PFVF3A601ST	CERAMIC FILTER	S
L212	PFVF3A601ST	CERAMIC FILTER	S
L213~	PFVF1B252SDT	CERAMIC FILTER	S
L232			
L234	PFVF3A601ST	CERAMIC FILTER	S
L235	PFVF3A601ST	CERAMIC FILTER	S
R238	PFVF1B252SDT	CERAMIC FILTER	S
R250	PFVF1B252SDT	CERAMIC FILTER	S
R309	PFVF1B252SDT	CERAMIC FILTER	S
R310	PFVF1B252SDT	CERAMIC FILTER	S
R311	PFVF1B252SDT	CERAMIC FILTER	S
R312	PFVF1B252SDT	CERAMIC FILTER	S
R313	PFVF1B252SDT	CERAMIC FILTER	S
R314	PFVF1B252SDT	CERAMIC FILTER	S
R315	PFVF1B252SDT	CERAMIC FILTER	S
R317	PFVF1B252SDT	CERAMIC FILTER	S
R318	PFVF1B252SDT	CERAMIC FILTER	S
R325	PFVF1B252SDT	CERAMIC FILTER	S
		(RELAY)	
RLY201	PFSL003Z	RELAY	S
		(SWITCH)	
SW200	ESE14A211	PUSH SWITCH	
		(TRANSFORMERS)	
T200	PFLT8E003	TRANSFORMER	S
T201	PFLT8E004	TRANSFORMER	S
		(VARISTORS)	
SA200	PQVDDSS301L	VARISTOR	S
SA201	PFRZ001Z	VARISTOR	S
ZNR200	ERZVA7D121	VARISTOR	
ZNR201	ERZVA7D151	VARISTOR	
		(FUSE)	
F200	PQBA1N10NMAL	FUSE	S
		(PHOTO ELECTRIC TRANSDUCERS)	
PC202	ON3131SKU	PHOTO ELECTRIC TRANSDUCER	
PC204	PQVITLP627	PHOTO ELECTRIC TRANSDUCER	S
PC205	PQVITLP620K	PHOTO ELECTRIC TRANSDUCER	S
PS200	CNA1006N	PHOTO ELECTRIC TRANSDUCER	

Ref. No.	Part No.	Part Name & Description	Remarks
		(RESISTORS)	
J230	ERJ3GEY0R00	0	
J231	ERJ3GEY0R00	0	
L204	ERJ3GEY0R00	0	
R204	ERJ3GEYJ114	110k	
R205	ERJ3GEYJ103	10k	
R207	ERJ3GEYJ103	10k	
R208	ERJ3GEYJ563	56k	
R210	ERJ3GEYJ114	110k	
R212	ERJ3GEYJ563	56k	
R213	ERJ3GEYJ561	560	
R214	ERJ3GEYJ223	22k	
R215	ERJ3GEYJ103	10k	
R218	ERJ3GEYJ331	330	
R220	ERJ3GEYJ103	10k	
R221	ERJ3GEY0R00	0	
R222	ERJ3GEYJ223	22k	
R225	ERJ3GEYJ102	1k	
R226	ERJ3GEYJ334	330k	
R228	ERJ3GEYJ103	10k	
R229	ERJ3GEYJ103	10k	
R230	ERJ3GEYJ102	1k	
R231	ERJ3GEY0R00	0	
R233	ERJ3GEYJ153	15k	
R234	ERJ3GEYJ474	470k	
R235	ERJ3GEYJ103	10k	
R237	ERJ3GEYJ682	6.8k	
R239	ERJ3GEYJ103	10k	
R240	ERJ3GEYJ474	470k	
R241	ERJ3GEYJ224	220k	
R242	ERJ3GEYJ561	560	
R243	ERJ3GEYJ622	6.2k	
R244	ERJ3GEYJ224	220k	
R245	ERJ3GEYJ101	100	
R246	ERJ3GEYJ331	330	
R247	ERJ3GEYJ153	15k	
R248	ERJ3GEYJ153	15k	
R249	ERJ3GEYJ683	68k	
R252	ERJ3GEYJ182	1.8k	
R256	ERJ3GEYJ331	330	
R257	ERJ3GEYJ182	1.8k	
R258	ERJ3GEYJ222	2.2k	
R260	ERJ3GEYJ103	10k	
R262	ERJ3GEYJ123	12k	
R263	ERJ3GEYJ391	390	
R265	ERJ3GEYJ102	1k	
R267	ERJ3GEYJ101	100	
R268	ERDS2TJ4R7	4.7	S
R269	ERDS2TJ561	560	S
R270	ERG2SJ821	820	
R271	ERJ3GEYJ204	200k	
R277	ERDS2TJ223	22K	S
R278	ERJ3GEYJ223	22k	
R281	ERJ3GEYJ101	100	
R282	ERJ3GEYJ392	3.9k	

Ref. No.	Part No.	Part Name & Description	Remarks
R283	ERDS2TJ563	56K	S
R284	ERJ3GEYJ222	2.2k	
R286	ERJ3GEYJ472	4.7k	
R289	ERDS2TJ102	1K	S
R291	ERJ3GEYJ104	100k	
R292	ERJ3GEYJ103	10k	
R293	ERDSIVJ333	33k	S
R294	ERJ3GEYJ331	330	
R295	ERJ3GEYJ563	56k	
R297	ERDS1TJ682	6.8k	S
R298	ERDS2TJ182	1.8K	S
R333	ERJ3GEYJ103	10k	
R334	ERJ3GEYJ103	10k	
R337	ERJ3GEYJ103	10k	
R338	ERJ3GEYJ103	10k	
		(CAPACITORS)	
C204	ECEA1CKS100	10	S
C207	ECUV1H821KBV	820P	S
C209	ECUV1C104KBV	0.1	S
C210	ECEA1VU331	330	S
C211	ECUV1H181JCV	180P	
C212	F1H1C104A065	0.1	S
C214	ECUV1C104KBV	0.1	S
C215	ECUV1C104KBV	0.1	S
C216	ECUV1C104KBV	0.1	S
C217	ECUV1H181JCV	180P	
C218	ECUV1C104KBV	0.1	S
C219	ECUV1H222KBV	0.0022	
C221	ECUV1H682KBV	0.0068	
C225	ECUV1H272KBV	0.0027	
C232	ECUV1H560JCV	56P	
C234	ECUV1H332KBV	0.0033	
C235	ECUV1E273KBV	0.027	S
C236	ECUV1H472KBV	0.0047	
C239	ECEA1HKS4R7	4.7	S
C240	ECUV1C104KBV	0.1	S
C241	ECUV1H392KBV	0.0039	
C242	ECUV1E273KBV	0.027	S
C243	ECUV1C104KBV	0.1	S
C244	ECUV1C104KBV	0.1	S
C245	ECEA1VU101	100	S
C246	ECEA0JU331	330	S
C247	ECUV1C683KBV	0.068	S
C248	ECUV1H392KBV	0.0039	
C250	ECUV1H221JCV	220P	S
C251	ECUV1C104KBV	0.1	S
C252	ECUV1H221JCV	220P	S
C253	ECEA1CKS100	10	S
C254	ECEA1HU2R2	2.2	S
C255	ECUV1H473KBV	0.047	S
C256	ECUV1H473KBV	0.047	S
C257	ECUV1C104KBV	0.1	S
C258	ECEA1CKS100	10	S
C259	ECUV1H103KBV	0.01	
C262	ECUV1H103KBV	0.01	
C265	ECUV1H103KBV	0.01	

Ref. No.	Part No.	Part Name & Description	Remarks
C266	ECEA1EU470	47	S
C267	ECEA1EU470	47	S
C268	ECUV1H333KDV	0.033	S
C269	ECEA1HKS010	1	S
C270	ECEA1HKS4R7	4.7	S
C272	ECUV1C104KBV	0.1	S
C273	ECEA1EU101	100	S
C275	ECEA1VU101	100	S
C276	ECUV1C104KBV	0.1	S
C279	ECUV1C104KBV	0.1	S
C280	ECEA1HU101	100	S
C281	ECEA1HKS010	1	S
C282	ECUV1H332KBV	0.0033	
C285	ECEA0JU331	330	S
C286	ECUV1H103KBV	0.01	
C287	ECKD2H681KB	680P	S
C288	ECKD2H681KB	680P	S
C289	ECUV1C104KBV	0.1	S
C294	ECEA0JU331	330	S
C295	ECQE2E105KZ	1	S
C296	ECUV1C104KBV	0.1	S
C305	ECUV1H100JCV	10P	
C306	ECUV1C104KBV	0.1	S
C311	ECUV1C104KBV	0.1	S
C314	ECUV1H100JCV	10P	
C317	ECUV1H100JCV	10P	
C318	ECUV1C104KBV	0.1	S
C319	ERJ3GEY0R00	0	
C321	ECUV1C104KBV	0.1	S
C322	ECUV1C104KBV	0.1	S
C326	ECUV1C104KBV	0.1	S
C336	ECUV1C104KBV	0.1	S
C337	ECUV1C104KBV	0.1	S
C338	ECUV1C104KBV	0.1	S
C339	ECUV1H101JCV	100P	
C341	ECUV1H101JCV	100P	
C342	ECUV1C104KBV	0.1	S


12.5. OPERATION BOARD PARTS




Ref. No.	Part No.	Part Name & Description	Remarks
PCB3	PFLP1301GZ	OPERATION BOARD ASS'Y (RTL)	
		(ICs)	
IC101	MN7D032Z9J	IC	
IC102	PFVINJM2904M	IC	
		(LED)	
LED101	PFVLRM505VRT	DIODE(SI), LED	S
		(CONNECTOR)	
CN101	PQJP13G43Z	CONNECTOR, 13 PIN	S
		(LIQUID CRYSTAL DISPLAY)	
CN104	PFVAVM220B	LIQUID CRYSTAL DISPLAY	
		(SWITCHES)	
SW101	EVQ11Y05B	SWITCH	
SW102	EVQ11Y05B	SWITCH	
SW103	EVQ11Y05B	SWITCH	
SW104	EVQ11Y05B	SWITCH	
SW105	EVQ11Y05B	SWITCH	
SW106	EVQ11Y05B	SWITCH	
SW107	EVQ11Y05B	SWITCH	
SW108	EVQ11Y05B	SWITCH	
SW109	EVQ11Y05B	SWITCH	
SW110	EVQ11Y05B	SWITCH	
SW111	EVQ11Y05B	SWITCH	
SW112	EVQ11Y05B	SWITCH	
SW113	EVQ11Y05B	SWITCH	
SW115	EVQ11Y05B	SWITCH	
SW116	EVQ11Y05B	SWITCH	
SW117	EVQ11Y05B	SWITCH	
SW118	EVQ11Y05B	SWITCH	
SW119	EVQ11Y05B	SWITCH	
SW120	EVQ11Y05B	SWITCH	
SW121	EVQ11Y05B	SWITCH	
SW122	EVQ11Y05B	SWITCH	
SW123	EVQ11Y05B	SWITCH	
SW124	EVQ11Y05B	SWITCH	
SW125	EVQ11Y05B	SWITCH	
SW126	EVQ11Y05B	SWITCH	
SW127	EVQ11Y05B	SWITCH	
SW128	EVQ11Y05B	SWITCH	
SW129	EVQ11Y05B	SWITCH	
SW130	EVQ11Y05B	SWITCH	
SW131	EVQ11Y05B	SWITCH	
SW132	EVQ11Y05B	SWITCH	
SW135	EVQ11Y05B	SWITCH	
SW136	EVQ11Y05B	SWITCH	
SW137	EVQ11Y05B	SWITCH	
SW138	EVQ11Y05B	SWITCH	
SW139	EVQ11Y05B	SWITCH	
SW140	EVQ11Y05B	SWITCH	
SW142	EVEGB141112B	SWITCH	
		(PHOTO ELECTRIC TRANSDUCERS)	
PS102	CNA1006N	PHOTO ELECTRIC TRANSDUCER	

Ref. No.	Part No.	Part Name & Description	Remarks
PS103	CNA1006N	PHOTO ELECTRIC TRANSDUCER	
		(RESISTORS)	
R104	ERJ3GEYJ104	100k	
R108	ERJ3GEYJ104	100k	
R109	ERJ3GEYJ103	10k	
R110	ERJ3GEYJ103	10k	
R115	ERJ3GEYJ682	6.8k	
R117	ERJ3GEYJ331	330	
R118	ERJ3GEYJ682	6.8k	
R124	ERJ3GEYJ223	22k	
R125	ERJ3GEYJ223	22k	
R127	ERJ3GEYJ100	10	
R101	ERJ3GEYJ102	1k	
R103	ERJ3GEYJ102	1k	
R105	ERJ3GEYJ101	100	
R106	ERJ3GEYJ101	100	
R107	ERJ3GEYJ101	100	
R111	ERJ3GEYJ101	100	
R112	ERJ3GEYJ101	100	
R113	ERJ3GEYJ101	100	
R114	ERJ3GEYJ181	180	
R116	ERJ3GEYJ181	180	
R119	ERJ3GEYJ181	180	
R120	ERJ3GEYJ181	180	
R121	ERJ3GEYJ181	180	
R122	ERJ3GEYJ181	180	
R123	ERJ3GEYJ181	180	
R126	ERJ3GEYJ181	180	
R130	ERJ3GEYJ273	27k	
R134	ERJ3GEYJ102	1k	
R138	ERJ3GEYJ103	10k	
R139	ERJ3GEYJ103	10k	
R142	ERJ3GEYJ181	180	
R143	ERJ3GEYJ331	330	
R145	ERJ3GEY0R00	0	
R146	ERJ3GEY0R00	0	
R147	ERJ3GEY0R00	0	
R148	ERJ3GEY0R00	0	
R150	ERJ3GEYJ563	56k	
R151	ERJ3GEYJ331	330	
R156	ERJ3GEYJ103	10k	
		(CAPACITORS)	
C105	ECUV1C104KBV	0.1	S
C108	ECUV1C104KBV	0.1	S
C109	ECUV1C104KBV	0.1	S
C110	ECUV1H103KBV	0.01	S
C111	ECUV1H331JCV	330P	
C112	ECUV1H103KBV	0.01	
C113	ECEA1CK101	100	S
C114	ECUV1H103KBV	0.01	
C115	ECUV1H331JCV	330P	
C116	ECUV1H331JCV	330P	
C117	ECUV1H331JCV	330P	
C118	ECEA1CK101	100	S
C119	ECUV1C104KBV	0.1	S










Ref. No.	Part No.	Part Name & Description	Remarks
C120	ECEA1CK101	100	S
C121	ECUV1C104KBV	0.1	S
C122	ECUV1C104KBV	0.1	S
C123	ECUV1C104KBV	0.1	S
C125	ECUV1C104KBV	0.1	S
C130	ECUV1C104KBV	0.1	S
C134	ECEA1CKS100	10	S
C135	ECEA1CKS100	10	S
C141	ECUV1C104KBV	0.1	S



12.6. HIGH VOLTAGE POWER SUPPLY BOARD PARTS

Ref. No.	Part No.	Part Name & Description	Remarks
PCB4	EUKMBN802HA	HIGH VOLTAGE POWER SUPPLY BOARD ASS'Y(RTL)	
		(IC)	
MC101	MC41H13	IC	
		(TRANSISTORS)	
Q101	2SD1990P	TRANSISTOR(SI)	
Q202	2SD2137A	TRANSISTOR(SI)	
Q204	2SA1413	TRANSISTOR(SI)	
		(DIODES)	
D102	PQVDS5688G	DIODE(SI)	
D103	PFVDDHM3M20	DIODE(SI)	S
D104	PFVDDHM3M20	DIODE(SI)	S
D110	MA165	DIODE(SI)	
D201	PQVDS5688G	DIODE(SI)	
D202	PFVDDHM3M20	DIODE(SI)	S
D203	PFVDDHM3M20	DIODE(SI)	S
D205	PQVDS5688G	DIODE(SI)	
ZD202	PQVDRD6.2ESB	DIODE(SI)	
ZD203	PFVDRD200EB	DIODE(SI)	S
		(CONNECTOR)	
CN2	PQJP9G30Y	CONNECTOR	
		(CAPACITORS)	
C101	ECA1VHG470	47	
C102	ECQV1H473JZ	0.047	
C103	ECEA50M1	1	
C104	ECEA50M2R2	2.2	
C106	ECQB1H153KF	0.015	
C107	ECKR2H102KB	0.001	
C108	ECKK3A471KB	470P	
C109	ECKK3D102KB	0.001	
C202	ECKK3A471KB	470P	
C203	ECKR1H472KB	0.0047	
C204	ECKK3D221KB	220P	
C206	ECQB1H103JF	0.01	
C207	ECKK3A471KB	470P	
C208	ECQE2103KS	0.01	
C209	ECKK3D102KB	0.001	
C210	ECKZ3A101KB	100P	S
C211	ECKZ3A101KB	100P	S
		(RESISTORS)	

Ref. No.	Part No.	Part Name & Description	Remarks
R102	ERDS2TJ104	100k	
R103	ER0S2TKF7871	7.87k	
R104	ERDS2TJ103	10k	
R105	ER0S2CKF1002	10k	S
R106	ER0S2TKF1653	165k	
R107	ER0S2TKF6653	665k	
R108	ER0S2TKF8451	8.45k	
R110	ER0S2TKF1003	100k	
R113	ERDS2TJ102	1k	
R114	PFRGVR25J106	10M	S
R116	ERDS2TJ272	2.7k	
R117	ERDS2TJ272	2.7k	
R201	ERDS2TJ152	1.5k	
R202	ER0S2TKF1582	15.8k	
R206	ERDS2TJ102	1k	
R209	PFRGVR25J105	1M	S
R210	ER0S2TKF2492	24.9k	
R211	PFRGR25F1504	1.5M	S
R214	PFRGVR25J105	1M	S
R215	PFRGVR25J105	1M	S
R216	ERDS2TJ333	33k	
R217	PFRGR25F1005	10M	S
R218	ERDS1TJ225	2.2M	
R219	ERDS2TJ473	47k	
R220	ERDS1TJ225	2.2M	
		(FUSE)	
IP101	PFBAICPN38	FUSE	S
		(PHOTO ELECTRIC TRANSDUCER)	
PC201	PFVISG206S	PHOTO ELECTRIC TRANSDUCER	S
		(SWITCH)	
SW101	PFSEDE2LEALB	MICRO SWITCH	 S
		(TRANSFORMERS)	
T101	MS15BTP20	TRANSFORMER	
T201	ETB16GKL1	TRANSFORMER	
		(VARIABLE RESISTORS)	
VR101	ER0S2TKF7871	METAL FILM OXIDE RESISTOR	
VR201	RVMAASA00B53	VAREABLE RESISTOR	

12.7. LOW VOLTAGE POWER SUPPLY BOARD PARTS

Ref. No.	Part No.	Part Name & Description	Remarks
PCB5	ETXKM313E3B	LOW VOLTAGE POWER SUPPLY BOARD ASS'Y (RTL)	
		(ICs)	
IC101	PFVIFA5317P	IC	S
IC201	PFVITA7805F	IC	S
		(TRANSISTORS)	
Q101	2SK2718	TRANSISTOR(SI)	
Q201	2SC1740S	TRANSISTOR(SI)	S
		(DIODES)	
D102	PQVDERA1506	DIODE(SI)	
D103	PFVDD2LB80	DIODE(SI)	S
D105	PFVDERA9102	DIODE(SI)	S
D106	PFVDRU1P	DIODE(SI)	S
D107	PFVDERA9102	DIODE(SI)	S
D201	MA6D49	DIODE(SI)	S
D202	PQVDERA81004	DIODE(SI)	S
D203	MA165	DIODE(SI)	
ZD101	MA4160N	DIODE(SI)	
ZD201	MA4062N	DIODE(SI)	
		(CONNECTORS)	
CN101	PQJP2D98Z	CONNECTOR, 2 PIN	
CN102	PQJP2D98Z	CONNECTOR, 2 PIN	
CN201	PQJP10G30Y	CONNECTOR, 10 PIN	S
		(CERAMIC CAPACITOR)	
C211	PFCKDR2R472K	CERAMIC CAPACITOR	S
		(COILS)	
L001	PFLQTL55084	COIL	 S
L102	ELF18N005A	COIL	 S
L104	PQLE53	COIL	S
		(COMPONENTS PARTS)	
CR101	PFXFTM1661SE	COMPONENTS PARTS	S
L103	EXCELDR35	COMPONENTS PARTS	
L202	EXCELDR35	COMPONENTS PARTS	
L203	EXCELDR35	COMPONENTS PARTS	
		(FUSE)	
F101	PFBA215004	FUSE	 S
		(PHOTO ELECTRIC TRANSDUCER)	
PC101	PFVIS21ME6NY	PHOTO ELECTRIC TRANSDUCER	 S
PC103	0N3171	PHOTO ELECTRIC TRANSDUCER	
		(TRANSFORMER)	
T101	ETB29AC1L8AD	TRANSFORMER	
		(THERMISTOR)	
TH101	PFRRCS1158R0	THERMISTOR	S

Ref. No.	Part No.	Part Name & Description	Remarks
		(VARISTOR)	
Z101	ERZVGAD751	VARISTOR	
		(RESISTORS)	
R101	ERDS1TJ474	470k	
R102	ERG12SJ470	47	
R103	ERG12SJ180	18	
R107	ERDS2TJ123	12k	
R108	ERDS1TJ563	56k	
R109	ERDS1TJ563	56k	
R110	ERDS2TJ562	5.6k	
R111	ERDS2TJ682	6.8k	
R112	ER0S2TKF2200	220	
R113	ERG12SJ220	22	
R116	ERG2SJW104	100k	
R117	ERDS1TJ150	15	
R118	ERDS2TJ103	10k	
R119	PFMPC2WR22KS	0.22	S
R120	ERG2SJW220	22	
R121	ERG1SJW121	120	
R202	ERDS2TJ562	5.6k	
R203	ERDS2TJ100	10	
R204	ERDS2TJ182	1.8k	
R205	ERDS2TJ562	5.6k	
R206	ERDS2TJ221	220	
R207	ERDS2TJ102	1k	S
R208	ERG2SJW152	1.5k	
R209	ERDS2TJ331	330	
R211	ER0S2TKF2871	2.87k	
R212	ER0S2TKF2741	2.74k	
R213	ER0S2TKF2211	2.21k	
R214	ERG12SJ100	10	
R215	ERG1SJW220	22	
		(CAPACITORS)	
C101	ECQU2A224ML	0.22	
C102	ECQV1H104JL	0.1	
C103	PFCKDCS102MY	0.001	S
C104	PFCKDCS102MY	0.001	S
C105	ECQU2A224ML	0.22	
C106	ECQV1H104JL	0.1	
C107	ECQB1H561JF	560P	
C109	EETLD2G560B	56	
C110	ECQB1H682JF	0.0068	
C111	EEUFC1V270	27	
C112	ECQE6103RK	0.01	
C113	PFCKE2SL101J	100P	S
C114	PFCKDCS222MY	0.0022	S
C115	ECQU2A104ML	0.1	
C201	EEUFC1V102	1000	
C202	ECQB1H103KF	0.01	
C203	EEUFC1E331	330	
C204	ECQB1H102JF	0.001	
C206	ECA1HHG100	10	
C208	PFCKDR2R472K	0.0047	S
C209	ECQV1H104JL	0.1	

Ref. No.	Part No.	Part Name & Description	Remarks
C210	ECKNHT102KC	0.001	
C211	PFCKDR2R472K	0.0047	S

12.8. MOTOR DRIVE BOARD PARTS

Ref. No.	Part No.	Part Name & Description	Remarks
PCB6	PFLP1300MZ-B	MOTOR DRIVE BOARD ASS'Y (RTL)	
		(IC)	
IC1	PFVIMT200303	IC	
		(TRANSISTOR)	
Q1	PQVTDTC123JU	TRANSISTOR(SI)	
		(CONNECTORS)	
CN1	PQJP14G30Y	CONNECTOR	S
CN2	PQJP4G30Z	CONNECTOR	
		(CAPACITORS)	
C1	ECUV1C104KBV	0.1	S
C2	PFCA1HYK331M	330P	
C3	ECUV1C104KBV	0.1	S
C4	ECEA0JKA101	100	S
C5	ECUV1C104KBV	0.1	S
C6	ECUV1C104KBV	0.1	S
C7	ECUV1H332KBV	0.0033	
C8	ECUV1C104KBV	0.1	S
		(RESISTORS)	
R1	ERJ3GEYJ331	330	
R2	ERX2SZGR47	0.47	
R3	ERJ3GEYJ221	220	
R4	ERX2SZGR47	0.47	
R5	ERJ3GEYJ183	18k	
		(FUSE RESISTOR)	
F1	PFRB0032315T	FUSE RESISTOR	
		(PHOTO ELECTRIC TRANSDUCERS)	
PS1	CNA1006N	PHOTO SENSOR	
PS50	PFVIRM574SL	PHOTO SENSOR	
		PHOTO COUPLER	
		(OTHER)	
HSINK	PFMY1001Z	HEAT SINK	

12.9. SENSOR BOARD PARTS

Ref. No.	Part No.	Part Name & Description	Remarks
PCB7	PFLP1300MZ-C	SENSOR BOARD ASS'Y	
		(CONNECTORS)	
CN50	PQJP03A21Z	CONNECTOR,3PIN	
CN51	PQJP5G43Y	CONNECTOR,5PIN	S
PS50	PFVIRM574SL	EXIT SENSOR	

12.10. VARISTOR BOARD PARTS

Ref. No.	Part No.	Part Name & Description	Remarks
PCB8	PFLP1300MZ-D	VARISTOR BOARD ASS'Y(RTL)	
ZNR60	PFRV271NS05K	VARISTOR	

12.11. FIXTURES AND TOOLS

Ref. No.	Part No.	Part Name & Description	Remarks
EC1	PQZZ9K4Z	EXTENSION CORD, 9P	
EC2	PFZZ10K1Z	EXTENSION CORD, 10P	
EC3	PQZZ28F1Z	EXTENSION CORD, 28P	
EC4	PFZZ14K3Z	EXTENSION CORD, 14P	
EC5	PQZZ13K9Z	EXTENSION CORD, 13P	
EC6	PQZZ3K5Z	EXTENSION CORD, 3P	
EC7	PQZZ2K12Z	EXTENSION CORD, 2P	
EC8	PFZZ5K13Z	EXTENSION CORD, 5P	
EC9	PQZZ5K6Z	EXTENSION CORD, 5P	
EC10	PQZZ8K18Z	EXTENSION CORD, 8P	
EC11	PQZZ4K5Z	EXTENSION CORD, 4P	
	PFZZFL501M	TOOL FOR WRITING PROGRAM IN THE FLASH ROM.	
	KM79811245C0	BASIC FACSIMILE TECHNIQUE (for training service technicians)	

Note:

Tools and Extension Cords are useful for servicing.
(They make servicing easy.)

13. FOR THE SCHEMATIC DIAGRAMS

Note:

1. DC voltage measurements are taken with an oscilloscope or a tester with a ground.
2. The schematic diagrams and circuit board may be modified at any time with the development of new technology.
- 3.

