

PARTS CATALOG

iR C3200 Series

Canon

Aug 5 2008

PREFACE

This Parts Catalog contains listings of parts used

Diagrams are provided with the listings to aid the service technician in identifying clearly, the item to be ordered.

Whenever ordering parts, consult this Parts Catalog for all of the information pertaining to each item. Be sure to include, in the Parts Request, the full item description, the item part number, and the quantity.

COPYRIGHT (C) 1999 CANON INC.

Use of this manual should be strictly supervised to avoid disclosure of confidential information.

Contents

NUMERICAL INDEX

iR C3200 Series(Numerical Index)	1-1
--	-----

iR C3200 Series(Parts Catalog)

A	ASSEMBLY LOCATION DIAGRAM	2-1
100	EXTERNAL COVERS, PANELS, ETC.	2-6
101	MACHINE FRONT PLATE	2-10
102	INTERNAL COMPONENTS 1	2-14
103	INTERNAL COMPONENTS 2	2-17
104	INTERNAL COMPONENTS 3	2-19
105	INTERNAL COMPONENTS 4	2-22
106	INTERNAL COMPONENTS 5	2-25
107	MACHINE REAR PLATE 1	2-27
108	MACHINE REAR PLATE 2	2-29
120	DOOR SWITCH ASSEMBLY	2-31
125	VERTICAL PATH PANEL ASSEMBLY (OLD)	2-32
125A	VERTICAL PATH PANEL ASSEMBLY (NEW)	2-34
130	CONTROL PANEL ASSEMBLY	2-36
190	FIXING EXHAUST FAN ASSEMBLY	2-38
191	CLEANING COOLING FAN ASSEMBLY	2-39
192	MACHINE EXHAUST FAN ASSEMBLY	2-40
193	DELIVERY COOLING FAN ASSEMBLY	2-41
194	MULTI FAN ASSEMBLY (DUPLEX TYPE)	2-42
251	DRUM DRIVE ASSEMBLY	2-43
260	PICK-UP MOTOR DRIVE ASSEMBLY	2-45
270	DEVELOPING DRIVE ASSEMBLY	2-46
271	INTERMEDIATE TRANSFER BELT DRIVE ASSEMBLY ...	2-47
272	TONER CARTRIDGE DRIVE ASSEMBLY	2-49
280	FIXING DRIVE ASSEMBLY	2-51
300	CASSETTE	2-52
305	CASSETTE HEATER ASSEMBLY (OPTION)	2-55
310	PAPER PICK-UP ASSEMBLY	2-56
315	MULTI FEED ASSEMBLY	2-60
316	MULTI FEED TRAY ASSEMBLY	2-66
321	PATTERN READER ASSEMBLY	2-68
330	FIXING FEEDER ASSEMBLY (PLAIN TYPE)	2-70
350	FACE-UP DELIVERY ASSEMBLY (PLAIN TYPE)	2-73
351	DELIVERY VERTICAL PATH ASSEMBLY (OLD)	2-75
351A	DELIVERY VERTICAL PATH ASSEMBLY (NEW)	2-78

Contents

360	DUPLEXING ASSEMBLY (DUPLEX TYPE)	2-82
361	EXTERNAL DELIVERY COVER ASSEMBLY (DUPLEX TYPE) 2-88	
365	MULTI PAPER FEED MOUNT ASSEMBLY	2-91
460	LASER UNIT	2-94
535	INTERMEDIATE TRANSFER BELT ASSEMBLY	2-95
537	TRANSFER CLEANING ASSEMBLY	2-98
560	SECONDARY TRANSFER ASSEMBLY	2-99
810	FIXING ASSEMBLY	2-101
900	CONTROLLER ASSEMBLY	2-105
910	DC POWER SUPPLY ASSEMBLY	2-108
930	DC CONTROLLER PCB ASSEMBLY	2-110
980	H.V. TRANSFORMER PCB ASSEMBLY	2-111
981	2ND TRANSFER H.V.T. PCB ASSEMBLY	2-112
B	LIST OF CONNECTORS	2-113

NUMERICAL INDEX

iR C3200 Series(Numerical Index)

PARTS NUMBER	FIGURE & KEY NO.	PARTS NUMBER	FIGURE & KEY NO.	PARTS NUMBER	FIGURE & KEY NO
FA1-0056-000	315 - 5	FB6-2988-000	101 - 40	FB6-3175-000	104 - 26
FA2-7162-000	100 - 18A	FB6-2990-000	101 - 2	FB6-3188-000	104 - 2
FA3-0652-000	810 - 31	FB6-2991-000	103 - 1	FB6-3189-000	104 - 3
FA3-8727-000	104 - 10	FB6-2992-000	102 - 1	FB6-3190-000	104 - 20
FA9-3941-000	810 - 27	FB6-2994-000	100 - 18C	FB6-3192-000	104 - 31
FA9-3942-000	810 - 51	FB6-2995-000	101 - 50	FB6-3193-000	104 - 32
FB1-7173-000	101 - 1	FB6-2996-000	101 -	FB6-3194-000	101 - 48
FB1-8581-000	315 - 8	FB6-3005-000	103 -	FB6-3195-000	101 - 4
FB1-8581-000	315 - 8	FB6-3006-000	100 - 48	FB6-3196-000	101 - 5
FB2-4456-000	100 - 28	FB6-3051-000	100 - 38	FB6-3199-000	101 - 22
FB2-6285-020	271 - 1	FB6-3071-000	900 -	FB6-3202-000	101 - 23
FB2-6285-020	315 - 88	FB6-3072-000	900 - 24	FB6-3203-000	101 - 24
FB4-3064-000	120 - 1	FB6-3073-000	900 - 1	FB6-3205-000	101 - 25
FB4-3066-000	120 - 2	FB6-3076-000	900 - 2	FB6-3207-000	101 - 26
FB5-0873-000	315 - 9	FB6-3084-000	108 -	FB6-3216-000	120 - 3
FB5-2172-000	130 - 1	FB6-3095-000	981 - 1	FB6-3218-000	120 - 4
FB5-3698-010	130 - 2	FB6-3096-000	981 - 2	FB6-3232-000	106 - 3
FB5-3699-000	130 - 3	FB6-3104-000	900 - 3	FB6-3234-000	100 - 56
FB5-3728-000	130 - 4	FB6-3105-000	100 - 39	FB6-3235-000	910 - 5
FB5-8385-000	100 - 27	FB6-3106-000	100 - 40	FB6-3237-000	280 - 9
FB5-8385-000	102 - 22	FB6-3109-000	108 - 1	FB6-3261-000	105 - 1
FB5-9570-000	351 - 3	FB6-3113-000	537 - 2	FB6-3262-000	105 - 2
FB6-2930-000	535 - 1	FB6-3116-000	104 - 11	FB6-3263-000	105 - 3
FB6-2931-020	535 - 37	FB6-3117-020	104 - 12	FB6-3273-000	321 - 1
FB6-2934-020	535 - 3	FB6-3118-000	104 - 13	FB6-3277-000	103 - 25
FB6-2936-000	535 - 4	FB6-3119-000	104 - 14	FB6-3278-000	103 - 21
FB6-2938-000	535 - 5	FB6-3120-000	104 - 15	FB6-3279-000	103 - 22
FB6-2939-000	535 - 6	FB6-3124-020	101 - 10A	FB6-3280-000	103 - 23
FB6-2940-000	535 - 7	FB6-3127-000	101 - 10B	FB6-3281-000	103 - 24
FB6-2941-000	535 - 8	FB6-3129-000	101 - 41C	FB6-3282-000	101 - 45
FB6-2942-000	535 - 9	FB6-3134-000	560 - 12A	FB6-3283-000	101 - 46
FB6-2944-010	535 - 10	FB6-3135-020	560 - 1	FB6-3285-000	103 - 27
FB6-2945-010	535 - 11	FB6-3136-020	560 - 2	FB6-3288-000	103 - 3
FB6-2947-000	535 - 12	FB6-3137-000	108 - 5	FB6-3289-000	103 - 4
FB6-2948-000	535 - 13	FB6-3138-000	108 - 6	FB6-3291-000	321 - 2
FB6-2951-000	535 - 14	FB6-3139-000	100 - 18D	FB6-3292-000	321 - 3
FB6-2953-000	535 - 29	FB6-3143-030	105 - 9	FB6-3293-000	321 - 4
FB6-2954-000	535 - 30	FB6-3145-000	105 - 10	FB6-3302-000	315 - 11
FB6-2955-000	535 - 31	FB6-3146-000	560 - 3	FB6-3303-000	315 - 12
FB6-2957-000	535 - 15	FB6-3149-000	560 - 12B	FB6-3305-000	315 - 14
FB6-2958-000	535 - 16	FB6-3150-000	560 - 9	FB6-3308-000	315 - 16
FB6-2960-000	103 - 9	FB6-3150-000	810 - 37	FB6-3309-000	315 - 17
FB6-2961-000	103 - 10	FB6-3152-000	104 - 16	FB6-3310-000	315 - 18
FB6-2964-000	103 - 15	FB6-3156-000	108 - 7	FB6-3311-000	315 - 19
FB6-2967-000	103 - 17	FB6-3158-000	101 - 3	FB6-3313-000	315 - 20
FB6-2968-000	103 - 12	FB6-3163-000	272 - 1	FB6-3314-000	315 - 1
FB6-2972-000	100 - 55	FB6-3167-000	190 - 1	FB6-3315-000	315 - 21
FB6-2973-000	100 - 18B	FB6-3169-000	107 - 2A	FB6-3316-000	106 - 5
FB6-2974-000	535 - 17	FB6-3170-000	104 -	FB6-3317-000	315 - 26
FB6-2985-000	102 - 24	FB6-3172-000	103 - 26	FB6-3331-000	100 - 22C
FB6-2986-000	102 - 23	FB6-3172-000	104 - 24	FB6-3332-000	100 - 22D
FB6-2987-000	101 - 20	FB6-3173-000	104 - 25	FB6-3346-000	365 - 3

NUMERICAL INDEX

iR C3200 Series(Numerical Index)

PARTS NUMBER	FIGURE & KEY NO.	PARTS NUMBER	FIGURE & KEY NO.	PARTS NUMBER	FIGURE & KEY NO
FB6-3348-000	365 - 4	FB6-3472-000	315 - 2	FB6-3554-000	125 - 12
FB6-3349-000	365 - 5	FB6-3473-000	315 - 77	FB6-3554-000	125A - 12
FB6-3350-000	365 - 6	FB6-3474-000	315 - 78	FB6-3555-000	125 - 13
FB6-3351-000	365 - 7	FB6-3475-000	300 - 1	FB6-3555-000	125A - 13
FB6-3356-000	365 - 8	FB6-3478-000	300 - 2	FB6-3555-000	361 - 3
FB6-3357-000	365 - 9	FB6-3479-000	300 - 3	FB6-3557-000	125 - 2
FB6-3358-000	365 - 10	FB6-3480-000	300 - 4	FB6-3561-000	100 - 24
FB6-3359-000	365 - 11	FB6-3481-000	300 - 5	FB6-3561-000	100 - 25
FB6-3360-000	365 - 12	FB6-3482-000	300 - 6	FB6-3562-000	100 - 26
FB6-3361-000	365 - 13	FB6-3483-000	300 - 7	FB6-3562-000	100 - 30
FB6-3366-000	105 - 12	FB6-3484-000	300 - 8	FB6-3564-000	351 - 13
FB6-3371-000	103 - 5	FB6-3485-000	300 - 9	FB6-3564-000	351A - 13
FB6-3376-000	100 - 49	FB6-3486-000	300 - 10	FB6-3566-000	100 - 32
FB6-3380-020	310 - 1	FB6-3487-000	300 - 11	FB6-3569-020	100 - 33
FB6-3386-010	310 - 2	FB6-3488-000	300 - 12	FB6-3572-000	360 - 2
FB6-3387-000	310 - 3	FB6-3489-000	300 - 13	FB6-3576-000	360 - 5
FB6-3388-000	310 - 4	FB6-3490-000	300 - 14	FB6-3577-000	360 - 6
FB6-3389-000	310 - 5	FB6-3491-000	300 - 15	FB6-3578-000	360 - 7
FB6-3391-000	310 - 7	FB6-3492-000	102 - 17	FB6-3579-000	330 - 1
FB6-3392-020	310 - 8	FB6-3493-000	102 - 16	FB6-3579-000	360 - 8
FB6-3394-000	310 - 10	FB6-3494-000	102 - 15	FB6-3580-000	360 - 9
FB6-3395-000	310 - 11	FB6-3495-000	102 - 28	FB6-3583-000	360 - 11
FB6-3396-010	310 - 12	FB6-3497-000	102 - 27	FB6-3584-000	360 - 12
FB6-3397-000	310 - 13	FB6-3499-000	300 - 17A	FB6-3585-000	360 - 13
FB6-3398-000	310 - 14	FB6-3503-000	100 - 22B	FB6-3586-000	361 - 26
FB6-3402-000	310 - 18	FB6-3504-000	100 - 2	FB6-3588-000	330 - 2
FB6-3403-000	310 - 19	FB6-3506-000	300 - 16	FB6-3588-000	360 - 14
FB6-3404-000	310 - 20	FB6-3507-000	102 - 10	FB6-3589-000	360 - 15
FB6-3405-000	310 - 21	FB6-3508-000	316 - 11	FB6-3590-000	360 - 16
FB6-3408-000	310 - 23	FB6-3522-000	300 - 23	FB6-3595-000	360 - 19
FB6-3409-000	106 -	FB6-3523-000	300 - 24	FB6-3599-000	360 - 22
FB6-3410-000	310 - 17	FB6-3524-000	300 - 25	FB6-3600-000	330 - 3
FB6-3410-000	315 - 27	FB6-3526-000	106 - 6	FB6-3600-000	360 - 23
FB6-3413-000	310 - 29	FB6-3527-000	106 - 6	FB6-3602-000	361 - 5
FB6-3440-000	107 - 1	FB6-3528-000	106 - 6	FB6-3603-000	361 - 6
FB6-3442-000	102 - 2	FB6-3529-000	106 - 6	FB6-3604-000	361 - 1
FB6-3443-000	100 - 1	FB6-3532-000	351 - 5	FB6-3606-000	361 - 7
FB6-3450-000	316 - 1	FB6-3532-000	351A - 5	FB6-3610-000	350 - 1
FB6-3451-000	316 - 2	FB6-3534-000	351 - 7	FB6-3610-000	361 - 9
FB6-3452-000	316 - 3	FB6-3534-000	351A - 7	FB6-3611-000	350 - 2
FB6-3454-000	316 - 4	FB6-3541-000	351 - 10	FB6-3611-000	361 - 10
FB6-3455-000	316 - 5	FB6-3545-020	351 - 12	FB6-3612-000	350 - 3
FB6-3456-000	316 - 6	FB6-3545-020	351A - 12	FB6-3612-000	361 - 28
FB6-3457-000	316 - 7	FB6-3546-000	125 - 16	FB6-3613-000	361 - 11
FB6-3459-000	316 - 9	FB6-3547-000	125 - 7	FB6-3614-000	361 - 12
FB6-3463-000	315 - 29	FB6-3547-000	125A - 7	FB6-3617-000	361 - 24B
FB6-3464-000	315 - 30	FB6-3551-020	125 - 9	FB6-3618-000	361 - 13
FB6-3465-000	315 - 31	FB6-3551-020	125A - 9	FB6-3620-000	361 - 15
FB6-3466-000	315 - 32	FB6-3552-000	125 - 10	FB6-3621-000	361 - 16
FB6-3467-000	315 - 33	FB6-3552-000	125A - 10	FB6-3622-000	361 - 42
FB6-3470-000	315 - 35	FB6-3553-000	125 - 11	FB6-3623-000	361 - 17
FB6-3471-000	315 - 36	FB6-3553-000	125A - 11	FB6-3626-000	361 - 18

NUMERICAL INDEX

iR C3200 Series(Numerical Index)

PARTS NUMBER	FIGURE & KEY NO.	PARTS NUMBER	FIGURE & KEY NO.	PARTS NUMBER	FIGURE & KEY NO
FB6-3627-000	361 - 25	FB6-3728-000	360 - 31	FB6-3864-000	365 - 14
FB6-3629-020	360 - 72	FB6-3729-000	361 - 19	FB6-3866-000	125 - 3
FB6-3630-000	360 - 73	FB6-3765-020	100 - 4	FB6-3866-000	125A - 3
FB6-3631-000	101 - 42	FB6-3766-000	100 - 5	FB6-3867-000	125 - 4
FB6-3638-000	330 - 4	FB6-3768-020	100 - 7	FB6-3867-000	125A - 4
FB6-3638-000	360 - 24	FB6-3771-000	100 - 36	FB6-3869-000	351 - 36
FB6-3644-000	810 - 7	FB6-3771-000	100 - 50	FB6-3869-000	351A - 36
FB6-3645-030	810 - 8	FB6-3775-000	100 - 9	FB6-3874-000	351 - 37
FB6-3646-000	810 - 9	FB6-3776-000	100 - 10	FB6-3874-000	351A - 37
FB6-3647-040	810 - 10	FB6-3777-000	100 - 11	FB6-3875-000	351 - 6
FB6-3648-000	810 - 52	FB6-3778-000	100 - 12	FB6-3876-000	125 - 14
FB6-3649-030	810 - 43A	FB6-3785-000	100 - 13	FB6-3876-000	125A - 14
FB6-3650-030	810 - 43B	FB6-3788-020	100 - 17A	FB6-3877-000	351 - 8
FB6-3651-000	810 - 13	FB6-3791-020	100 - 19	FB6-3877-000	351A - 8
FB6-3652-030	810 - 43G	FB6-3791-040	100 - 19	FB6-3878-000	315 - 34A
FB6-3657-000	810 - 16	FB6-3792-000	100 - 20	FB6-3879-000	810 - 5
FB6-3658-000	810 - 17	FB6-3793-000	100 - 41	FB6-3880-000	360 - 30
FB6-3659-000	810 - 18	FB6-3797-000	192 - 1	FB6-3882-020	101 - 41A
FB6-3660-000	810 - 19	FB6-3800-000	104 - 6	FB6-3883-000	101 - 41D
FB6-3662-010	810 - 20	FB6-3801-000	104 - 7	FB6-3885-000	810 - 44
FB6-3663-010	810 - 21	FB6-3807-000	104 - 8	FB6-3886-000	100 - 52
FB6-3664-000	810 - 22	FB6-3819-020	101 - 27	FB6-3887-000	106 - 17
FB6-3665-000	810 - 23	FB6-3820-020	101 - 28	FB6-3888-020	360 - 3
FB6-3666-000	810 - 24	FB6-3821-020	101 - 29	FB6-3889-020	360 - 4
FB6-3668-000	810 - 26	FB6-3822-020	101 - 30	FB6-3890-020	360 - 17
FB6-3669-000	810 - 43C	FB6-3827-000	101 - 11	FB6-3892-000	361 - 43
FB6-3670-000	810 - 28	FB6-3828-020	101 - 12	FB6-3893-000	360 - 34
FB6-3671-000	810 - 29	FB6-3829-000	101 - 13	FB6-3894-000	100 - 44
FB6-3673-010	810 - 30	FB6-3830-000	101 - 14	FB6-3895-000	100 - 44
FB6-3675-020	810 - 32	FB6-3831-000	101 - 15	FB6-3896-000	100 - 44
FB6-3676-000	810 - 33	FB6-3832-000	101 - 16	FB6-3897-000	351 - 27
FB6-3677-000	810 - 34	FB6-3833-000	101 - 17	FB6-3932-000	106 - 4
FB6-3678-010	810 - 35	FB6-3834-000	100 - 14	FB6-3933-000	106 - 2
FB6-3679-000	106 - 1	FB6-3835-000	100 - 15	FB6-3934-000	330 - 30
FB6-3683-000	330 - 5	FB6-3839-000	105 - 13	FB6-3934-000	360 - 40
FB6-3684-000	330 - 6	FB6-3843-000	361 - 20	FB6-3935-020	350 - 7
FB6-3684-000	360 - 25	FB6-3846-000	350 - 19	FB6-3936-000	350 - 12
FB6-3686-000	330 - 7	FB6-3846-000	361 - 21	FB6-3939-000	560 - 22D
FB6-3686-000	360 - 26	FB6-3847-000	350 - 20	FB6-3944-000	130 - 5
FB6-3689-000	106 - 8	FB6-3847-000	361 - 22	FB6-3945-000	130 - 6
FB6-3693-000	106 - 9	FB6-3848-000	350 - 21	FB6-3946-000	130 - 7
FB6-3694-000	330 - 12	FB6-3848-000	361 - 23	FB6-3947-000	130 - 8
FB6-3695-000	330 - 13	FB6-3850-000	560 - 7A	FB6-3949-000	130 - 10
FB6-3698-000	330 - 8	FB6-3853-000	560 - 4	FB6-3950-000	100 - 16
FB6-3698-000	360 - 29	FB6-3854-000	560 - 5	FB6-3951-000	130 - 9
FB6-3700-000	350 - 4	FB6-3855-000	560 - 6	FB6-3953-000	130 - 20
FB6-3702-000	350 - 5	FB6-3858-000	315 - 81	FB6-3961-000	102 - 9
FB6-3703-000	350 - 6	FB6-3859-000	315 - 82	FB6-3962-000	102 - 8
FB6-3705-000	350 - 8	FB6-3860-000	101 - 41B	FB6-3963-000	102 - 7
FB6-3706-000	350 - 9	FB6-3862-000	101 - 10J	FB6-3964-000	360 - 51
FB6-3707-000	350 - 10	FB6-3863-000	315 - 83	FB6-4852-000	310 - 16
FB6-3722-000	100 - 3	FB6-3864-000	315 - 84	FB6-4862-020	361 - 4

NUMERICAL INDEX

iR C3200 Series(Numerical Index)

PARTS NUMBER	FIGURE & KEY NO.	PARTS NUMBER	FIGURE & KEY NO.	PARTS NUMBER	FIGURE & KEY NO
FB6-4863-000	315 - 85	FB6-6530-000	360 - 18	FF6-2016-000	103 - 13
FB6-4867-000	106 - 6	FB6-6545-030	535 - 25	FF6-2017-000	103 - 19
FB6-4868-000	106 - 15	FB6-6546-000	330 - 31	FF6-2032-000	537 - 3
FB6-4869-000	106 - 16	FB6-6546-000	360 - 62	FF6-2033-000	104 - 17
FB6-4870-000	100 - 14	FB6-6557-020	810 - 6	FF6-2034-000	105 - 11
FB6-4873-000	315 - 25	FB6-6558-000	810 - 55	FF6-2038-000	101 - 7
FB6-4873-000	360 - 1	FB6-6636-000	100 - 40	FF6-2039-000	104 - 5
FB6-4873-000	361 - 2	FB6-6641-000	104 - 1	FF6-2040-000	104 -
FB6-4890-000	100 - 44	FB6-6642-000	810 - 2	FF6-2044-000	280 - 1
FB6-4908-000	330 - 9	FB6-6643-000	810 - 3	FF6-2046-000	321 - 5
FB6-4908-000	360 - 20	FB6-6645-000	125 - 6	FF6-2047-000	103 - 8
FB6-4909-000	810 - 41	FB6-6645-000	125A - 6	FF6-2054-000	365 - 15
FB6-4918-000	330 - 10	FB6-7002-000	361 - 38	FF6-2058-000	310 - 25
FB6-4918-000	360 - 27	FB6-7002-000	810 - 39	FF6-2059-010	310 - 26
FB6-4919-000	125 - 8	FB6-7003-000	101 - 21	FF6-2063-000	102 - 19
FB6-4919-000	125A - 8	FB6-7070-000	537 - 9	FF6-2064-020	300 - 17
FB6-4920-000	100 - 44	FB6-7072-000	535 - 44	FF6-2070-000	351 - 15
FB6-4923-000	100 - 44	FB6-7078-000	310 - 24	FF6-2075-030	361 - 24
FB6-4937-000	316 - 12	FC5-0166-000	100 - 37	FF6-2079-000	330 - 14
FB6-4938-000	315 - 80	FC5-0166-000	100 - 51	FF6-2079-000	360 - 32
FB6-5060-000	102 - 4	FC5-0166-000	125 - 1	FF6-2080-000	330 -
FB6-5450-000	100 - 45	FC5-0166-000	125A - 1	FF6-2081-000	330 - 15
FB6-5451-000	100 - 46	FC5-0563-020	300 - 26	FF6-2081-000	360 - 33
FB6-5781-020	351A - 6	FC6-2915-000	351 - 2	FF6-2085-000	101 - 9
FB6-5786-000	351A - 38	FC6-2915-000	351A - 2	FF6-2099-000	101 - 31
FB6-5787-000	351A - 39	FC6-4012-000	351A - 3	FF6-2100-000	108 - 2
FB6-5790-000	351A - 40	FC6-5046-000	315 - 6	FF6-2101-000	365 - 16
FB6-5791-000	351A - 41	FC6-5061-000	351 - 4	FF6-2102-000	365 - 17
FB6-5792-000	351A - 42	FC6-5061-000	351A - 4	FF6-2106-000	104 - 9
FB6-5793-000	125A - 2	FC6-6661-000	310 - 61	FF6-2107-000	104 - 4
FB6-5795-000	351A - 43	FC6-7022-000	810 - 1	FF6-2110-000	101 - 32
FB6-5800-000	100 - 44	FC6-7083-000	310 - 22	FF6-2114-000	101 - 10C
FB6-6213-000	130 - 21	FC6-9867-000	310 - 31	FF6-2116-000	361 - 27
FB6-6214-000	300 - 23	FC6-9867-000	315 - 46	FF6-2117-000	361 - 8
FB6-6215-000	300 - 25	FC7-0047-000	315 - 15	FF6-2118-000	361 - 14
FB6-6216-000	361 - 21	FC7-0048-000	315 - 22	FF6-2127-000	560 - 7
FB6-6217-000	315 - 81	FC7-0090-000	560 - 12G	FF6-2128-000	361 - 44
FB6-6218-000	315 - 82	FC7-0605-000	810 - 4	FF6-2129-000	365 - 18
FB6-6222-000	350 - 23	FC7-0606-000	810 - 15	FF6-2130-000	100 - 24
FB6-6222-000	361 - 45	FC7-0611-000	810 - 47	FF6-2131-000	351 - 14
FB6-6380-000	535 - 2	FC7-0612-000	810 -	FF6-2131-000	351A - 14
FB6-6381-000	810 - 36	FC7-1433-000	100 - 8	FF6-2132-000	100 - 42
FB6-6382-000	900 - 25	FC7-3374-000	315 - 24	FF6-2134-000	315 - 34
FB6-6385-000	100 - 44	FC7-5167-000	315 - 56	FF6-2136-000	315 - 28
FB6-6386-000	100 - 44	FC7-5845-000	310 -	FF6-2141-000	106 - 10
FB6-6387-000	100 - 44	FC7-9328-000	100 - 6	FF6-2143-000	330 - 22
FB6-6388-000	100 - 44	FC8-1178-000	310 - 6	FF6-2143-000	360 - 52
FB6-6389-000	100 - 44	FC8-3770-000	103 - 11	FF6-2145-000	351 - 9
FB6-6519-000	810 - 25	FC8-3782-000	100 - 22A	FF6-2147-000	360 - 21
FB6-6524-000	315 - 13	FF2-5915-000	105 - 4	FF6-2344-000	351A - 15
FB6-6525-000	315 - 23	FF3-4436-020	910 - 4A	FF6-2388-000	535 - 38
FB6-6527-000	315 - 10	FF5-6279-000	351 - 1	FF6-2389-000	535 - 39

NUMERICAL INDEX

iR C3200 Series(Numerical Index)

PARTS NUMBER	FIGURE & KEY NO.	PARTS NUMBER	FIGURE & KEY NO.	PARTS NUMBER	FIGURE & KEY NO
FF6-2390-000	535 - 40	FG3-2375-000	101 - 10H	FG6-8997-000	560 - 12
FF6-2391-000	535 - 41	FG3-2380-020	260 - 3	FG6-8999-000	272 -
FF6-2392-000	535 - 42	FG3-2381-000	305 - 1	FG6-9000-000	101 - 8
FF6-2393-000	537 - 7	FG3-2383-020	107 - 5	FG6-9004-000	272 - 15
FF6-2394-000	537 - 8	FG3-2385-000	981 - 3	FG6-9005-000	101 - 19
FF6-2396-000	535 - 43	FG3-2387-000	980 - 1	FG6-9008-000	192 -
FF6-2397-000	310 - 49	FG3-2390-000	108 - 14	FG6-9011-040	280 -
FG3-2299-000	106 - 12	FG3-2392-000	251 - 2	FG6-9012-000	100 - 21
FG3-2300-000	105 -	FG3-2393-000	305 - 1	FG6-9013-000	120 -
FG3-2301-000	316 - 10	FG3-2395-020	305 - 2	FG6-9015-000	107 - 6
FG3-2302-020	310 - 59	FG3-2396-000	980 - 2	FG6-9015-000	120 - 9
FG3-2303-000	315 - 75	FG3-2644-000	900 - 10	FG6-9016-000	194 -
FG3-2304-020	315 - 76	FG3-2645-010	900 - 11	FG6-9019-000	100 - 22
FG3-2305-000	365 - 29	FG3-2646-030	900 - 12	FG6-9021-000	365 -
FG3-2306-000	365 - 1	FG3-2854-010	900 - 15	FG6-9022-000	365 -
FG3-2309-000	105 - 19	FG3-2855-000	900 - 16	FG6-9025-000	260 -
FG3-2310-000	105 - 20	FG3-3002-000	360 - 71	FG6-9041-000	300 - 28
FG3-2311-000	351 - 32	FG3-3004-020	105 - 5	FG6-9042-000	316 -
FG3-2311-000	351A - 32	FG3-3005-020	105 - 26	FG6-9044-000	300 -
FG3-2312-020	360 - 69	FG3-3010-020	351A - 48	FG6-9050-000	351 -
FG3-2313-020	360 - 78	FG3-3011-020	930 -	FG6-9052-000	125 -
FG3-2314-000	101 - 10F	FG3-3020-020	910 - 4	FG6-9058-190	360 -
FG3-2315-000	321 - 9	FG3-3136-000	900 - 19	FG6-9059-100	361 -
FG3-2318-000	321 - 10	FG3-3287-020	900 - 13	FG6-9060-000	360 - 79
FG3-2319-000	103 - 6	FG3-3668-000	900 - 15	FG6-9065-000	193 -
FG3-2320-000	535 - 33	FG3-3669-000	900 - 17	FG6-9068-000	350 -
FG3-2321-000	535 - 34	FG3-3809-000	900 - 4	FG6-9069-310	810 -
FG3-2326-010	270 - 3	FG3-3973-000	193 - 3	FG6-9070-310	810 -
FG3-2340-000	305 - 4	FG6-8927-020	100 - 17	FG6-9079-010	280 - 11
FG3-2341-000	305 - 4	FG6-8933-030	130 -	FG6-9080-000	315 -
FG3-2342-000	305 - 5	FG6-8934-030	130 -	FG6-9081-000	315 -
FG3-2344-020	272 - 13	FG6-8935-030	130 -	FG6-9164-000	130 - 17
FG3-2345-000	107 - 3	FG6-8936-000	130 - 16	FG6-9165-000	130 - 18
FG3-2346-000	105 - 6	FG6-8938-000	130 - 14	FG6-9166-000	130 - 19
FG3-2347-000	102 - 18	FG6-8939-000	130 - 15	FG6-9644-020	810 - 38
FG3-2348-000	102 - 11	FG6-8941-030	130 -	FG6-9645-070	810 - 43
FG3-2350-000	108 - 9	FG6-8942-130	535 -	FG6-9646-020	810 - 38
FG3-2351-020	108 - 10	FG6-8945-020	100 - 18	FG6-9647-020	810 - 38
FG3-2352-000	105 - 21	FG6-8946-000	108 - 3	FG6-9654-030	351A -
FG3-2353-000	105 - 22	FG6-8956-000	107 - 2	FG6-9655-000	125A -
FG3-2354-000	105 - 23	FG6-8960-000	321 -	FG6-9663-030	271 -
FG3-2357-000	130 - 13	FG6-8962-000	460 -	FG6-9665-000	108 - 11
FG3-2362-000	900 - 8	FG6-8964-000	251 -	FG6-9666-000	900 - 18
FG3-2363-000	900 - 9	FG6-8966-030	270 -	FG6-9673-030	980 -
FG3-2364-000	105 - 24	FG6-8968-000	190 -	FG6-9674-000	981 -
FG3-2365-020	535 - 28	FG6-8981-000	251 - 3	FG6-9676-000	900 - 18
FG3-2366-000	107 - 8	FG6-8989-030	537 -	FG6-9700-320	810 -
FG3-2367-000	535 - 35	FG6-8991-000	101 - 10	FG6-9749-000	305 - 7
FG3-2368-000	535 - 36	FG6-8992-030	101 - 41	FG9-3986-000	102 - 26
FG3-2372-020	251 - 1	FG6-8993-000	560 -	FH2-5006-000	100 - 23
FG3-2372-020	272 - 14	FG6-8995-000	191 -	FH2-5824-000	108 - 13
FG3-2374-000	101 - 10G	FG6-8996-000	105 -	FH2-5825-000	B - J565

NUMERICAL INDEX

iR C3200 Series(Numerical Index)

PARTS NUMBER	FIGURE & KEY NO.	PARTS NUMBER	FIGURE & KEY NO.	PARTS NUMBER	FIGURE & KEY NO
FH2-6488-000	910 - 11	FK2-0149-000	315 - 40	FS5-1581-000	272 - 3
FH2-6552-000	108 - 4	FK2-0149-000	316 - 13	FS5-1595-000	100 - 22E
FH2-6719-000	910 - 2	FK2-0149-000	351 - 17	FS5-1595-000	315 - 44
FH2-6855-000	B - J565	FK2-0149-000	351A - 17	FS5-1595-000	315 - 44
FH2-7037-000	130 - 11	FK2-0149-000	360 - 38	FS5-1595-000	360 - 41
FH2-7043-000	900 - 5	FK2-0149-000	365 - 19	FS5-1595-000	361 - 29
FH2-7043-000	B - J1210	FK2-0149-000	365 - 19	FS5-1943-000	310 - 60
FH2-7078-000	910 - 3	FK2-0149-000	810 - 42	FS5-3989-000	351 - 21
FH2-7080-000	910 - 1	FK2-0155-000	260 - 1	FS5-3989-000	351A - 21
FH2-7081-000	910 - 8	FK2-0246-000	130 - 12	FS5-3989-000	360 - 42
FH2-7082-000	910 - 9	FK2-0247-000	B - J950	FS5-6488-000	280 - 2
FH2-7114-010	108 - 8	FK2-0408-000	310 - 27	FS5-6945-000	315 - 47
FH4-6164-000	930 - IC24	FL2-5277-000	351A - 44	FS5-6946-000	350 - 11
FH4-6250-000	900 - IC1012	FL2-6580-000	310 - 15	FS5-6947-000	810 - 45
FH4-6271-000	900 - IC1015	FL2-8140-000	315 - 37	FS5-6948-000	330 - 18
FH5-1051-020	271 - 3	FM1-0350-000	300 -	FS5-6948-000	360 - 43
FH5-1111-000	900 - 6	FM1-0351-080	361 -	FS5-6949-000	101 - 33
FH6-1253-020	360 - 74	FM1-0352-160	360 -	FS5-6950-000	330 - 19
FH6-1579-020	194 - 1	FM1-0354-000	315 -	FS5-6950-000	360 - 44
FH6-1973-020	270 - 1	FM1-0357-000	460 -	FS5-6955-000	365 - 2
FH6-1973-020	315 - 38	FM1-0408-040	910 - 10	FS5-6957-000	537 - 1
FH6-1974-020	360 - 35	FM1-0408-040	910 - 10	FS5-9161-020	100 - 47
FH6-1975-020	351 - 16	FM1-0409-060	910 - 10	FS5-9274-020	100 - 34
FH6-1975-020	351A - 16	FM1-0409-060	910 - 10	FS5-9753-020	365 - 21
FH6-1979-030	192 - 2	FM1-0418-000	910 -	FS5-9754-020	101 - 34
FH6-1979-030	910 - 6	FM1-0419-000	910 -	FS5-9758-020	105 - 8
FH6-1980-020	190 - 2	FM1-0420-000	125 - 15	FS5-9758-020	365 - 22
FH6-1981-020	191 - 1	FM1-0421-000	125A - 15	FS5-9760-020	105 - 15
FH6-1982-000	193 - 1	FM1-0423-000	810 - 54	FS5-9761-000	315 - 86
FH6-1984-020	351A - 49	FM1-0431-000	104 - 34	FS6-1055-000	315 - 48
FH6-1986-000	360 - 80	FM2-0537-000	900 - 20	FS6-1057-000	315 - 49
FH6-5052-020	360 - 36	FM2-3892-000	900 - 20	FS6-1058-000	315 - 50
FH6-5056-020	360 - 37	FM2-6099-000	360 - 10	FS6-1059-000	125 - 17
FH6-5088-000	101 - 43	FM2-8204-000	310 -	FS6-1059-000	125A - 17
FH7-4739-000	810 - 40	FM3-3775-000	271 - 2	FS6-1060-000	104 - 18
FH7-4740-000	305 - 6	FM3-3775-000	271 - 4	FS6-1062-000	535 - 18
FH7-4742-000	305 - 6	FM3-3775-000	271 - 9	FS6-1063-000	310 - 32
FH7-6345-000	810 - 43D	FM3-3775-000	271 - 504	FS6-1066-000	560 - 12E
FH7-6357-020	107 - 7	FM3-3775-000	271 - 507	FS6-1067-000	351A - 45
FH7-7586-020	810 - 43E	FM3-4146-000	310 - 9	FS6-2785-000	120 - 7
FH7-7587-000	810 - 43F	FM3-4146-000	310 - 37	FS6-3001-000	360 - 45
FH7-7600-010	316 - 14	FS1-1465-000	330 - 17	FS6-3002-000	360 - 46
FH7-7601-030	321 - 6	FS1-1465-000	360 - 39	FS6-3003-000	360 - 47
FH7-7602-020	103 - 7	FS1-1512-000	315 - 43	FS6-8116-000	300 - 27
FH7-7625-030	910 - 7	FS1-9010-020	120 - 6	FS7-0128-000	350 - 12
FH7-7626-000	910 - 7	FS1-9010-020	537 - 4	FS7-0128-000	361 - 30
FK2-0115-000	315 - 39	FS2-1544-000	351 - 19	FS7-0579-000	104 - 19
FK2-0149-000	105 - 14	FS2-1544-000	351A - 19	FS7-2360-000	360 - 48
FK2-0149-000	107 - 4	FS2-2783-000	315 - 41	FS7-2781-000	535 - 19
FK2-0149-000	120 - 5	FS5-0353-000	351 - 20	FS7-2782-000	535 - 20
FK2-0149-000	272 - 2	FS5-0353-000	351A - 20	FS7-2783-000	535 - 21
FK2-0149-000	310 - 28	FS5-1209-000	315 - 42	FS7-2784-000	535 - 32

NUMERICAL INDEX

iR C3200 Series(Numerical Index)

PARTS NUMBER	FIGURE & KEY NO.	PARTS NUMBER	FIGURE & KEY NO.	PARTS NUMBER	FIGURE & KEY NO
FS7-2785-000	103 - 14	FS7-2852-000	810 - 50	FU3-0304-000	272 - 8
FS7-2787-000	315 - 51	FS7-2853-000	105 - 17	FU3-0305-000	272 - 9
FS7-2789-000	100 - 22G	FS7-2854-000	120 - 8	FU3-0306-000	272 - 10
FS7-2790-000	365 - 23	FS7-2855-000	100 - 35	FU3-0308-000	101 - 36
FS7-2791-000	365 - 24	FS7-2856-000	560 - 10	FU3-0309-000	101 - 37
FS7-2792-000	365 - 25	FS7-2857-000	560 - 11	FU3-0310-000	360 - 56
FS7-2793-000	365 - 26	FS7-2859-000	351 - 30	FU3-0311-000	360 - 57
FS7-2796-000	105 - 7	FS7-2859-000	351A - 30	FU3-0312-000	330 - 26
FS7-2796-000	365 - 27	FS7-2860-000	315 - 52	FU3-0312-000	360 - 58
FS7-2797-000	310 - 33	FS7-2860-000	315 - 52	FU3-0313-000	330 - 27
FS7-2800-000	310 - 35	FS7-2861-000	330 - 23	FU3-0313-000	360 - 59
FS7-2801-000	310 - 36	FS7-2861-000	360 - 53	FU3-0314-000	330 - 28
FS7-2803-000	310 - 38	FS7-2862-000	330 - 16	FU3-0314-000	360 - 60
FS7-2804-000	300 - 20	FS7-2862-000	360 - 70	FU3-0315-000	330 - 29
FS7-2805-000	300 - 19	FS7-2863-000	315 - 87	FU3-0315-000	360 - 61
FS7-2806-000	300 - 18	FS7-2865-000	102 - 25	FU3-0316-000	361 - 36
FS7-2807-000	102 - 14	FS7-2866-000	351A - 46	FU3-0317-000	350 - 16
FS7-2808-000	102 - 13	FS7-2867-000	360 - 50	FU3-0317-000	361 - 37
FS7-2811-000	315 - 3	FS7-5909-000	310 - 39	FU3-0318-000	360 - 77
FS7-2813-000	315 - 79	FS7-5910-000	310 - 40	FU3-0319-000	351 - 22
FS7-2814-000	810 - 46	FS7-8332-000	100 - 53	FU3-0319-000	351A - 22
FS7-2816-000	810 - 48	FS7-8332-000	101 - 49	FU3-0322-000	351 - 23
FS7-2817-000	810 - 49	FS7-8335-000	460 - 1	FU3-0322-000	351A - 23
FS7-2818-000	330 - 20	FU3-0266-040	535 - 22	FU3-0323-000	351 - 24
FS7-2822-000	330 - 24	FU3-0267-000	535 - 23	FU3-0323-000	351A - 24
FS7-2822-000	360 - 54	FU3-0268-000	535 - 24	FU3-0324-000	351 - 25
FS7-2823-000	350 - 13	FU3-0270-000	315 - 58	FU3-0324-000	351A - 25
FS7-2825-000	272 - 5	FU3-0271-000	315 - 59	FU3-0325-000	125 - 19
FS7-2826-000	101 - 35	FU3-0272-000	315 - 60	FU3-0325-000	125A - 19
FS7-2828-000	350 - 14	FU3-0273-000	315 - 61	FU3-0332-000	271 - 6
FS7-2828-000	361 - 32	FU3-0274-000	315 - 62	FU3-0333-000	271 - 7
FS7-2829-000	330 - 25	FU3-0275-000	315 - 63	FU3-0334-000	271 - 8
FS7-2829-000	360 - 55	FU3-0276-000	315 - 64	FU3-0337-000	270 - 2
FS7-2830-000	361 - 33	FU3-0277-000	315 - 65	FU3-0338-000	280 - 4
FS7-2831-000	361 - 35	FU3-0277-000	361 - 34	FU3-0339-000	280 - 5
FS7-2832-000	360 - 76	FU3-0278-000	315 - 66	FU3-0340-000	280 - 6
FS7-2833-000	101 - 44	FU3-0280-000	310 - 41	FU3-0341-000	280 - 7
FS7-2834-000	125 - 18	FU3-0282-000	310 - 43	FU3-0342-000	280 - 8
FS7-2834-000	125A - 18	FU3-0283-000	310 - 44	FU3-0343-000	104 - 23
FS7-2835-000	280 - 3	FU3-0284-000	310 - 45	FU3-0344-000	560 - 12F
FS7-2838-000	271 - 5	FU3-0285-000	260 - 2	FU3-0345-000	104 - 33
FS7-2840-000	537 - 5	FU3-0288-000	310 - 47	FU3-0347-000	310 - 53
FS7-2842-000	104 - 21	FU3-0289-000	310 - 48	FU3-0349-000	310 - 42
FS7-2843-000	104 - 22	FU3-0293-000	300 - 21	FU3-0350-000	310 - 52
FS7-2844-000	101 - 10D	FU3-0294-000	300 - 22	FU5-1033-000	310 - 30
FS7-2845-000	101 - 10E	FU3-0295-000	315 - 67	FU5-1726-000	351 - 18
FS7-2846-000	560 - 8	FU3-0296-000	315 - 68	FU6-0710-000	310 - 46
FS7-2847-000	106 - 7	FU3-0297-000	315 - 69	FU6-2684-000	310 - 34
FS7-2848-000	105 - 16	FU3-0298-000	315 - 70	FU6-2784-000	310 -
FS7-2849-000	101 - 47	FU3-0301-000	350 - 15	FU6-2924-000	100 - 22F
FS7-2850-000	321 - 7	FU3-0302-000	272 - 6	FU6-2924-000	360 - 49
FS7-2851-000	321 - 8	FU3-0303-000	272 - 7	FU6-2924-000	361 - 31

NUMERICAL INDEX

iR C3200 Series(Numerical Index)

PARTS NUMBER	FIGURE & KEY NO.	PARTS NUMBER	FIGURE & KEY NO.	PARTS NUMBER	FIGURE & KEY NO
FU6-2925-000	315 - 54	NPN	B - J613	NPN	B - J814
FU6-2926-000	315 - 55	NPN	B - J614	NPN	B - J820
FU6-2927-000	315 - 57	NPN	B - J616	NPN	B - J854
FU7-0403-000	271 - 10	NPN	B - J617	NPN	B - J855
FU7-0444-000	310 - 50	NPN	B - J618	NPN	B - J856
FU7-0445-000	310 - 51	NPN	B - J620	NPN	B - J857
FY7-0375-000	351 - 11	NPN	B - J650	NPN	B - J858
FY7-0375-000	351A - 11	NPN	B - J651	NPN	B - J859
NPN	100 -	NPN	B - J652	NPN	B - J860
NPN	101 -	NPN	B - J653	NPN	B - J861
NPN	102 -	NPN	B - J660	NPN	B - J862
NPN	103 -	NPN	B - J661	NPN	B - J863
NPN	104 -	NPN	B - J662	NPN	B - J864
NPN	105 -	NPN	B - J663	NPN	B - J865
NPN	106 -	NPN	B - J668	NPN	B - J960
NPN	107 -	NPN	B - J670	NPN	B - J961
NPN	108 -	NPN	B - J672	NPN	B - J992
NPN	305 -	NPN	B - J674	NPN	B - J1112
NPN	330 -	NPN	B - J676	NPN	B - J1114
NPN	900 -	NPN	B - J677	NPN	B - J1126
NPN	910 -	NPN	B - J678	NPN	B - J1401
NPN	B -	NPN	B - J679	PCB	B - J1
NPN	B - J2	NPN	B - J700	PCB	B - J2
NPN	B - J3	NPN	B - J704	PCB	B - J3
NPN	B - J11	NPN	B - J705	PCB	B - J3
NPN	B - J44	NPN	B - J706	PCB	B - J5
NPN	B - J93	NPN	B - J707	PCB	B - J7
NPN	B - J309	NPN	B - J709	PCB	B - J8
NPN	B - J310	NPN	B - J710	PCB	B - J11
NPN	B - J311	NPN	B - J711	PCB	B - J13
NPN	B - J312	NPN	B - J712	PCB	B - J50
NPN	B - J313	NPN	B - J716	PCB	B - J51
NPN	B - J314	NPN	B - J721	PCB	B - J52
NPN	B - J315	NPN	B - J754	PCB	B - J53
NPN	B - J316	NPN	B - J758	PCB	B - J54
NPN	B - J405	NPN	B - J760	PCB	B - J56
NPN	B - J408	NPN	B - J761	PCB	B - J57
NPN	B - J409	NPN	B - J762	PCB	B - J58
NPN	B - J410	NPN	B - J763	PCB	B - J59
NPN	B - J411	NPN	B - J764	PCB	B - J60
NPN	B - J412	NPN	B - J765	PCB	B - J61
NPN	B - J413	NPN	B - J766	PCB	B - J62
NPN	B - J414	NPN	B - J768	PCB	B - J64
NPN	B - J540	NPN	B - J803	PCB	B - J66
NPN	B - J559	NPN	B - J804	PCB	B - J67
NPN	B - J565	NPN	B - J805	PCB	B - J68
NPN	B - J605	NPN	B - J806	PCB	B - J69
NPN	B - J606	NPN	B - J809	PCB	B - J70
NPN	B - J608	NPN	B - J810	PCB	B - J70C
NPN	B - J609	NPN	B - J811	PCB	B - J70K
NPN	B - J610	NPN	B - J812	PCB	B - J70M
NPN	B - J612	NPN	B - J813	PCB	B - J70Y

NUMERICAL INDEX

iR C3200 Series(Numerical Index)

PARTS NUMBER	FIGURE & KEY NO.	PARTS NUMBER	FIGURE & KEY NO.	PARTS NUMBER	FIGURE & KEY NO
PCB	B - J71	PCB	B - J115	PCB	B - J1115
PCB	B - J71C	PCB	B - J116	PCB	B - J1116
PCB	B - J71K	PCB	B - J117	PCB	B - J1117
PCB	B - J71M	PCB	B - J118	PCB	B - J1123
PCB	B - J71Y	PCB	B - J120	PCB	B - J1204
PCB	B - J72C	PCB	B - J123	PCB	B - J1207
PCB	B - J72K	PCB	B - J124	PCB	B - J1208
PCB	B - J72M	PCB	B - J125	PCB	B - J1209
PCB	B - J72Y	PCB	B - J126	PCB	B - J1209
PCB	B - J73CK	PCB	B - J127	PCB	B - J1210
PCB	B - J73YM	PCB	B - J128	PCB	B - J1213
PCB	B - J74	PCB	B - J129	PCB	B - J1215
PCB	B - J75	PCB	B - J131	PCB	B - J1216
PCB	B - J76	PCB	B - J132	PCB	B - J1225
PCB	B - J77	PCB	B - J153	PCB	B - J1301
PCB	B - J78	PCB	B - J154	PCB	B - J1302
PCB	B - J79	PCB	B - J155	PCB	B - J1303
PCB	B - J80	PCB	B - J300	PCB	B - J1304
PCB	B - J81	PCB	B - J301	PCB	B - J1305
PCB	B - J82	PCB	B - J302	PCB	B - J1309
PCB	B - J83	PCB	B - J303	PCB	B - J1311
PCB	B - J84CK	PCB	B - J304	PCB	B - J1315
PCB	B - J84YM	PCB	B - J305	PCB	B - J1316
PCB	B - J85	PCB	B - J306	PCB	B - J1318
PCB	B - J86	PCB	B - J307	PCB	B - J1336
PCB	B - J87	PCB	B - J308	PCB	B - J1342
PCB	B - J88	PCB	B - J440	PCB	B - J1342
PCB	B - J88	PCB	B - J441	PCB	B - J1400
PCB	B - J89	PCB	B - J442	PCB	B - J1401
PCB	B - J90	PCB	B - J511	PCB	B - J1501
PCB	B - J91	PCB	B - J514	PCB	B - J1502
PCB	B - J92	PCB	B - J520	PCB	B - J1503
PCB	B - J94	PCB	B - J538	PCB	B - J1504
PCB	B - J95	PCB	B - J564	PCB	B - J1505
PCB	B - J97	PCB	B - J607	PCB	B - J1507
PCB	B - J99	PCB	B - J611	PCB	B - J1508
PCB	B - J100	PCB	B - J615	PCB	B - J1509
PCB	B - J102	PCB	B - J619	PCB	B - J1510
PCB	B - J103	PCB	B - J713	PCB	B - J1511
PCB	B - J104	PCB	B - J714	PCB	B - J1512
PCB	B - J105	PCB	B - J759	PCB	B - J1513
PCB	B - J106	PCB	B - J816	RB1-2152-000	315 - 71
PCB	B - J107	PCB	B - J956	RB1-2152-000	365 - 28
PCB	B - J108	PCB	B - J957	RB1-6484-000	106 - 11
PCB	B - J108	PCB	B - J958	RB1-6486-000	125 - 5
PCB	B - J109	PCB	B - J959	RB1-6486-000	125A - 5
PCB	B - J109	PCB	B - J992	RB1-6539-000	310 - 54
PCB	B - J110	PCB	B - J1110	RB1-6666-000	125 - 21
PCB	B - J111	PCB	B - J1111	RB1-6666-000	125A - 21
PCB	B - J112	PCB	B - J1112	RB1-6666-000	351 - 26
PCB	B - J113	PCB	B - J1113	RB1-6666-000	351A - 26
PCB	B - J114	PCB	B - J1114	RB1-8945-000	310 - 55

NUMERICAL INDEX

iR C3200 Series(Numerical Index)

PARTS NUMBER	FIGURE & KEY NO.	PARTS NUMBER	FIGURE & KEY NO.	PARTS NUMBER	FIGURE & KEY NO
RB2-5850-000	315 - 72	VS1-5824-003	B - J804	VS1-6314-003	B - J752
RB2-7043-000	272 - 11	VS1-5824-003	B - J806	VS1-6314-003	B - J956
RB9-0255-000	361 - 39	VS1-5824-004	B - J562	VS1-6314-003	B - J958
RG5-5469-000	251 - 4	VS1-5824-006	B - J98	VS1-6314-003	B - J964
RG5-5469-000	272 - 4	VS1-5824-012	B - J116	VS1-6314-003	B - J965
RH7-6037-000	105 - 18	VS1-5824-012	B - J120	VS1-6314-003	B - J1124
RH7-7129-020	315 - 73	VS1-5824-013	B - J114	VS1-6314-003	B - J1125
RS5-1060-000	350 - 17	VS1-5824-013	B - J118	VS1-6314-004	B - J404
RS5-1060-000	361 - 40	VS1-5976-004	B - J154	VS1-6314-004	B - J539
RS5-1101-000	125 - 20	VS1-5976-009	B - J153	VS1-6314-004	B - J953
RS5-1101-000	125A - 20	VS1-5976-012	B - J54	VS1-6314-004	B - J1336
RS5-1324-000	351 - 28	VS1-5976-012	B - J69	VS1-6314-005	B - J50
RS5-1324-000	351A - 28	VS1-6084-007	B - J103	VS1-6314-005	B - J522
RS5-1325-000	350 - 18	VS1-6197-014	B - J103	VS1-6314-005	B - J807
RS5-1325-000	351 - 29	VS1-6226-036	B - J117	VS1-6314-005	B - J808
RS5-1325-000	360 - 63	VS1-6302-002	B - J91	VS1-6314-005	B - J957
RS5-1325-000	361 - 41	VS1-6302-004	B - J68	VS1-6314-005	B - J959
RS5-1567-000	310 - 56	VS1-6302-004	B - J440	VS1-6314-005	B - J1508
RS5-1567-000	315 - 74	VS1-6302-006	B - J71	VS1-6314-006	B - J538
RU5-8126-000	460 - 1	VS1-6302-007	B - J109	VS1-6314-006	B - J952
SYS	B - J512	VS1-6302-012	B - J560	VS1-6314-006	B - J960
SYS	B - J522	VS1-6302-012	B - J1311	VS1-6314-006	B - J1225
SYS	B - J524	VS1-6302-012	B - J1504	VS1-6314-006	B - J1318
SYS	B - J531	VS1-6302-014	B - J61	VS1-6314-006	B - J1513
SYS	B - J539	VS1-6313-009	B - J802	VS1-6314-008	B - J111
SYS	B - J557	VS1-6313-010	B - J126	VS1-6314-008	B - J535
SYS	B - J560	VS1-6313-010	B - J129	VS1-6314-008	B - J769
SYS	B - J950	VS1-6313-010	B - J801	VS1-6314-008	B - J1213
SYS	B - J1101	VS1-6313-011	B - J109	VS1-6314-008	B - J1315
SYS	B - J1115	VS1-6313-012	B - J406	VS1-6314-008	B - J1507
SYS	B - J1122	VS1-6313-013	B - J102	VS1-6314-009	B - J520
SYS	B - J1207	VS1-6313-013	B - J108	VS1-6314-009	B - J701
SYS	B - J1520	VS1-6313-013	B - J127	VS1-6314-010	B - J73CK
VS1-5452-007	B - J103	VS1-6313-013	B - J403	VS1-6314-010	B - J73YM
VS1-5452-007	B - J950	VS1-6313-013	B - J441	VS1-6314-010	B - J90
VS1-5452-007	B - J963	VS1-6313-014	B - J104	VS1-6314-010	B - J95
VS1-5452-008	B - J950	VS1-6313-014	B - J442	VS1-6314-010	B - J97
VS1-5452-008	B - J962	VS1-6313-014	B - J852	VS1-6314-010	B - J99
VS1-5729-002	B - J96	VS1-6313-015	B - J750	VS1-6314-010	B - J126
VS1-5729-002	B - J1100	VS1-6313-015	B - J755	VS1-6314-010	B - J129
VS1-5729-004	B - J561	VS1-6313-016	B - J107	VS1-6314-010	B - J801
VS1-5824-002	B - J66	VS1-6313-017	B - J105	VS1-6314-010	B - J802
VS1-5824-002	B - J74	VS1-6313-018	B - J510	VS1-6314-010	B - J1104
VS1-5824-002	B - J106	VS1-6313-018	B - J511	VS1-6314-010	B - J1105
VS1-5824-002	B - J559	VS1-6313-018	B - J1121	VS1-6314-010	B - J1305
VS1-5824-002	B - J805	VS1-6313-018	B - J1304	VS1-6314-011	B - J109
VS1-5824-002	B - J1509	VS1-6313-020	B - J92	VS1-6314-011	B - J800
VS1-5824-003	B - J88	VS1-6313-020	B - J131	VS1-6314-011	B - J1110
VS1-5824-003	B - J407	VS1-6313-020	B - J512	VS1-6314-011	B - J1116
VS1-5824-003	B - J414	VS1-6313-020	B - J1103	VS1-6314-012	B - J76
VS1-5824-003	B - J564	VS1-6313-020	B - J1309	VS1-6314-012	B - J87
VS1-5824-003	B - J803	VS1-6314-002	B - J1316	VS1-6314-012	B - J703

NUMERICAL INDEX

iR C3200 Series(Numerical Index)

PARTS NUMBER	FIGURE & KEY NO.	PARTS NUMBER	FIGURE & KEY NO.	PARTS NUMBER	FIGURE & KEY NO
VS1-6314-013	B - J80	VS1-6318-020	B - J1103	VS1-6321-003	B - J721
VS1-6314-013	B - J89	VS1-6319-026	365 - 1B	VS1-6321-003	B - J754
VS1-6314-013	B - J102	VS1-6319-026	B - J403	VS1-6321-003	B - J757
VS1-6314-013	B - J108	VS1-6319-030	105 - 6A	VS1-6321-003	B - J758
VS1-6314-013	B - J127	VS1-6319-030	B - J750	VS1-6321-003	B - J759
VS1-6314-013	B - J403	VS1-6319-036	105 - 26C	VS1-6321-003	B - J760
VS1-6314-013	B - J406	VS1-6319-036	B - J510	VS1-6321-003	B - J765
VS1-6314-013	B - J441	VS1-6319-036	B - J1121	VS1-6321-003	B - J766
VS1-6314-013	B - J702	VS1-6319-040	B - J512	VS1-6321-003	B - J768
VS1-6314-013	B - J1111	VS1-6320-003	B - J764	VS1-6321-003	B - J811
VS1-6314-013	B - J1117	VS1-6321-002	B - J1	VS1-6321-003	B - J812
VS1-6314-014	B - J51	VS1-6321-002	B - J410	VS1-6321-003	B - J820
VS1-6314-014	B - J104	VS1-6321-002	B - J411	VS1-6321-003	B - J855
VS1-6314-014	B - J123	VS1-6321-002	B - J412	VS1-6321-003	B - J856
VS1-6314-014	B - J128	VS1-6321-002	B - J531	VS1-6321-003	B - J858
VS1-6314-014	B - J132	VS1-6321-002	B - J536	VS1-6321-003	B - J859
VS1-6314-014	B - J300	VS1-6321-002	B - J537	VS1-6321-003	B - J861
VS1-6314-014	B - J442	VS1-6321-002	B - J557	VS1-6321-003	B - J862
VS1-6314-014	B - J850	VS1-6321-002	B - J668	VS1-6321-003	B - J864
VS1-6314-014	B - J852	VS1-6321-002	B - J670	VS1-6321-003	B - J865
VS1-6314-014	B - J951	VS1-6321-002	B - J672	VS1-6321-003	B - J1113
VS1-6314-015	B - J750	VS1-6321-002	B - J674	VS1-6321-003	B - J1120
VS1-6314-016	B - J72C	VS1-6321-002	B - J707	VS1-6321-003	B - J1126
VS1-6314-016	B - J72K	VS1-6321-002	B - J714	VS1-6321-003	B - J1512
VS1-6314-016	B - J72M	VS1-6321-002	B - J762	VS1-6321-004	B - J650
VS1-6314-016	B - J72Y	VS1-6321-002	B - J815	VS1-6321-004	B - J651
VS1-6314-016	B - J77	VS1-6321-002	B - J816	VS1-6321-004	B - J652
VS1-6314-016	B - J78	VS1-6321-002	B - J857	VS1-6321-004	B - J653
VS1-6314-016	B - J79	VS1-6321-002	B - J863	VS1-6321-004	B - J720
VS1-6314-016	B - J94	VS1-6321-002	B - J1122	VS1-6321-004	B - J761
VS1-6314-016	B - J107	VS1-6321-002	B - J1123	VS1-6321-004	B - J763
VS1-6314-016	B - J110	VS1-6321-002	B - J1510	VS1-6321-004	B - J813
VS1-6314-016	B - J755	VS1-6321-003	B - J405	VS1-6321-004	B - J854
VS1-6314-017	B - J105	VS1-6321-003	B - J407	VS1-6321-004	B - J860
VS1-6314-018	B - J510	VS1-6321-003	B - J409	VS1-6321-004	B - J961
VS1-6314-018	B - J511	VS1-6321-003	B - J540	VS1-6321-005	B - J408
VS1-6314-018	B - J1121	VS1-6321-003	B - J669	VS1-6321-005	B - J704
VS1-6314-018	B - J1304	VS1-6321-003	B - J671	VS1-6321-005	B - J705
VS1-6314-020	B - J75	VS1-6321-003	B - J673	VS1-6321-005	B - J708
VS1-6314-020	B - J88	VS1-6321-003	B - J675	VS1-6321-005	B - J809
VS1-6314-020	B - J131	VS1-6321-003	B - J676	VS1-6321-005	B - J810
VS1-6314-020	B - J512	VS1-6321-003	B - J677	VS1-6321-006	B - J413
VS1-6314-020	B - J1102	VS1-6321-003	B - J678	VS1-6321-006	B - J756
VS1-6314-020	B - J1309	VS1-6321-003	B - J679	VS1-6321-008	B - J514
VS1-6318-009	106 - 13	VS1-6321-003	B - J700	VS1-6321-008	B - J814
VS1-6318-009	B - J703	VS1-6321-003	B - J706	VS1-6321-008	B - J851
VS1-6318-011	105 - 20A	VS1-6321-003	B - J709	VS1-6321-008	B - J1511
VS1-6318-011	B - J800	VS1-6321-003	B - J710	VS1-6321-010	B - J521
VS1-6318-013	105 - 19E	VS1-6321-003	B - J711	VS1-6321-010	B - J523
VS1-6318-013	B - J702	VS1-6321-003	B - J712	VS1-6321-012	B - J524
VS1-6318-020	980 - 3	VS1-6321-003	B - J713	VS1-6361-002	B - J93
VS1-6318-020	B - J1102	VS1-6321-003	B - J716	VS1-6361-004	B - J70

NUMERICAL INDEX

iR C3200 Series(Numerical Index)

PARTS NUMBER	FIGURE & KEY NO.	PARTS NUMBER	FIGURE & KEY NO.	PARTS NUMBER	FIGURE & KEY NO
VS1-6361-004	B - J1505	VS1-7173-005	B - J808	VS1-7177-003	B - J407
VS1-6361-006	B - J59	VS1-7173-006	105 - 25	VS1-7177-003	B - J540
VS1-6361-006	B - J1502	VS1-7173-006	B - J952	VS1-7177-003	B - J669
VS1-6361-008	B - J60	VS1-7173-008	270 - 3A	VS1-7177-003	B - J671
VS1-6361-008	B - J1501	VS1-7173-008	900 - 11C	VS1-7177-003	B - J673
VS1-6361-010	B - J1208	VS1-7173-008	B - J535	VS1-7177-003	B - J675
VS1-6361-010	B - J1503	VS1-7173-008	B - J769	VS1-7177-003	B - J700
VS1-6380-002	B - J10	VS1-7173-010	102 - 18B	VS1-7177-003	B - J716
VS1-6380-003	B - J57	VS1-7173-010	981 - 3A	VS1-7177-003	B - J721
VS1-6380-003	B - J95	VS1-7173-010	B - J801	VS1-7177-003	B - J757
VS1-6380-004	B - J58	VS1-7173-010	B - J1104	VS1-7177-003	B - J806
VS1-6380-006	B - J56	VS1-7173-010	B - J1105	VS1-7177-003	B - J812
VS1-6407-080	B - J113	VS1-7173-012	106 - 14	VS1-7177-003	B - J820
VS1-6407-080	B - J1216	VS1-7173-012	B - J701	VS1-7177-003	B - J1120
VS1-6507-018	B - J117	VS1-7173-014	105 - 27	VS1-7177-003	B - J1126
VS1-6757-009	B - J802	VS1-7173-014	310 - 57	VS1-7177-004	105 - 19C
VS1-6757-010	B - J802	VS1-7173-014	B - J850	VS1-7177-004	107 - 5A
VS1-6918-019	B - J802	VS1-7173-014	B - J852	VS1-7177-004	B - J562
VS1-6919-025	365 - 1C	VS1-7173-014	B - J951	VS1-7177-004	B - J720
VS1-6919-025	B - J406	VS1-7177-002	105 - 28	VS1-7177-004	B - J813
VS1-6919-031	105 - 6B	VS1-7177-002	272 - 12	VS1-7177-005	105 - 19D
VS1-6919-031	B - J755	VS1-7177-002	305 - 2A	VS1-7177-005	B - J708
VS1-6920-025	360 - 64	VS1-7177-002	310 - 59A	VS1-7177-008	260 - 3A
VS1-6920-031	B - J755	VS1-7177-002	315 - 75A	VS1-7177-008	B - J851
VS1-6930-002	B - J660	VS1-7177-002	360 - 69A	VS1-7177-010	900 - 11B
VS1-6930-002	B - J661	VS1-7177-002	900 - 11A	VS1-7177-010	B - J521
VS1-6930-002	B - J662	VS1-7177-002	B - J410	VS1-7177-012	900 - 13A
VS1-6930-002	B - J663	VS1-7177-002	B - J411	VS1-7177-012	B - J524
VS1-6930-003	B - J660	VS1-7177-002	B - J412	VS1-7177-012	B - J1000
VS1-6930-003	B - J661	VS1-7177-002	B - J531	VS1-7178-003	B - J301
VS1-6930-003	B - J662	VS1-7177-002	B - J536	VS1-7178-003	B - J302
VS1-6930-003	B - J663	VS1-7177-002	B - J537	VS1-7178-003	B - J303
VS1-6930-008	B - J124	VS1-7177-002	B - J557	VS1-7178-003	B - J304
VS1-6930-008	B - J654	VS1-7177-002	B - J668	VS1-7178-003	B - J305
VS1-6930-009	B - J125	VS1-7177-002	B - J670	VS1-7178-003	B - J306
VS1-6930-009	B - J655	VS1-7177-002	B - J672	VS1-7178-003	B - J307
VS1-7077-019	B - J802	VS1-7177-002	B - J674	VS1-7178-003	B - J308
VS1-7173-003	102 - 26	VS1-7177-002	B - J707	VS1-7178-003	B - J313
VS1-7173-003	102 - 26A	VS1-7177-002	B - J762	VS1-7178-003	B - J314
VS1-7173-003	321 - 10A	VS1-7177-002	B - J805	VS1-7178-003	B - J315
VS1-7173-003	365 - 29A	VS1-7177-002	B - J815	VS1-7178-003	B - J316
VS1-7173-003	B - J752	VS1-7177-002	B - J857	VS1-7178-004	B - J155
VS1-7173-003	B - J964	VS1-7177-002	B - J863	VS1-7178-009	B - J53
VS1-7173-003	B - J965	VS1-7177-003	105 - 19B	VS1-7178-012	B - J1000
VS1-7173-003	B - J1124	VS1-7177-003	190 - 3	VS1-7208-003	B - J309
VS1-7173-003	B - J1125	VS1-7177-003	193 - 2	VS1-7208-003	B - J310
VS1-7173-004	103 - 6A	VS1-7177-003	272 - 13A	VS1-7208-003	B - J311
VS1-7173-004	365 - 1A	VS1-7177-003	305 - 2B	VS1-7208-003	B - J312
VS1-7173-004	B - J404	VS1-7177-003	315 - 76A	VS1-7208-003	B - J607
VS1-7173-004	B - J953	VS1-7177-003	351A - 48A	VS1-7208-003	B - J611
VS1-7173-005	102 - 18A	VS1-7177-003	360 - 78A	VS1-7208-003	B - J615
VS1-7173-005	B - J807	VS1-7177-003	900 - 12A	VS1-7208-003	B - J619

NUMERICAL INDEX

iR C3200 Series(Numerical Index)

PARTS NUMBER	FIGURE & KEY NO.	PARTS NUMBER	FIGURE & KEY NO.	PARTS NUMBER	FIGURE & KEY NO
VS1-7208-004	B - J605	VS3-5083-005	B - J84CK	WS3-5160-000	B - J70M
VS1-7208-004	B - J609	VS3-5083-005	B - J84YM	WS3-5160-000	B - J70Y
VS1-7208-004	B - J613	VS3-5083-005	B - J86	WS3-5160-000	B - J71C
VS1-7208-004	B - J617	VS3-5083-007	B - J83	WS3-5160-000	B - J71K
VS1-7208-005	B - J606	VS3-5083-012	B - J64	WS3-5160-000	B - J71M
VS1-7208-005	B - J610	VS3-5083-012	B - J100	WS3-5160-000	B - J71Y
VS1-7208-005	B - J614	VS3-5083-013	B - J70C	WS3-5160-000	B - J81
VS1-7208-005	B - J618	VS3-5083-013	B - J70K	WS3-5160-000	B - J82
VS1-7208-009	B - J600	VS3-5083-013	B - J70M	WS3-5160-000	B - J83
VS1-7208-009	B - J601	VS3-5083-013	B - J70Y	WS3-5160-000	B - J84CK
VS1-7208-009	B - J603	VS3-5084-002	B - J7	WS3-5160-000	B - J84YM
VS1-7208-009	B - J604	VS3-5084-003	B - J3	WS3-5160-000	B - J85
VS1-7208-012	B - J115	VS3-5084-004	B - J8	WS3-5160-000	B - J86
VS1-7208-018	B - J117	VS3-5121-002	B - J10	WS3-5160-000	B - J96
VS1-7440-006	315 - 75B	VS3-5121-003	B - J95	WS3-5160-000	B - J100
VS1-7440-006	360 - 69B	VS4-0001-003	B - J12	WS3-5160-000	B - J561
VS1-7440-006	B - J98	VS4-0002-003	B - J12	WS3-5160-000	B - J1100
VS1-7440-006	B - J413	VS4-0002-003	B - J13	WS3-5160-000	B - J1101
VS1-7440-006	B - J756	VT2-5161-020	B - J126	WS3-5231-000	B - J108
VS1-7504-009	B - J600	VT2-5161-020	B - J129	WS3-5291-000	B - J10
VS1-7504-009	B - J601	VT2-5161-022	B - J109	WS3-5291-000	B - J95
VS1-7504-009	B - J603	VT2-5161-026	B - J102	WS3-5292-000	B - J10
VS1-7504-009	B - J604	VT2-5161-026	B - J108	WS3-5292-000	B - J56
VS1-7507-002	108 - 10A	VT2-5161-026	B - J127	WS3-5292-000	B - J57
VS1-7507-002	B - J558	VT2-5161-026	B - J403	WS3-5292-000	B - J58
VS1-7507-007	108 - 10B	VT2-5161-026	B - J441	WS3-5292-000	B - J95
VS1-7507-007	B - J963	VT2-5161-028	B - J104	WS3-5301-000	B - J96
VS1-7507-008	108 - 10C	VT2-5161-028	B - J442	WS3-5301-000	B - J561
VS1-7507-008	B - J962	VT2-5161-030	B - J750	WS3-5301-000	B - J1100
VS1-7584-008	B - J654	VT2-5161-032	B - J107	WS3-5358-000	B - J66
VS1-7584-009	B - J655	VT2-5161-034	B - J105	WS3-5358-000	B - J74
VS3-0276-007	B - J108	VT2-5161-036	B - J510	WS3-5358-000	B - J88
VS3-5080-002	B - J52	VT2-5161-036	B - J511	WS3-5358-000	B - J98
VS3-5080-002	B - J558	VT2-5161-036	B - J1121	WS3-5358-000	B - J106
VS3-5080-012	B - J608	VT2-5161-036	B - J1304	WS3-5358-000	B - J114
VS3-5080-012	B - J612	VT2-5161-040	B - J131	WS3-5358-000	B - J116
VS3-5080-012	B - J616	VT2-5161-040	B - J512	WS3-5358-000	B - J118
VS3-5080-012	B - J620	VT2-5161-040	B - J1309	WS3-5358-000	B - J120
VS3-5083-002	B - J62	WA7-3158-000	900 - 22	WS3-5358-000	B - J407
VS3-5083-002	B - J96	WA7-4107-000	900 - 14	WS3-5358-000	B - J414
VS3-5083-002	B - J1100	WC1-5129-000	305 - 3	WS3-5358-000	B - J559
VS3-5083-002	B - J1101	WC2-5332-000	102 - 12	WS3-5358-000	B - J562
VS3-5083-003	B - J5	WM2-5248-000	900 - 21	WS3-5358-000	B - J564
VS3-5083-003	B - J71C	WS3-5159-000	B - J3	WS3-5358-000	B - J1509
VS3-5083-003	B - J71K	WS3-5159-000	B - J7	WS3-5569-000	B - J71
VS3-5083-003	B - J71M	WS3-5159-000	B - J8	WS3-5569-000	B - J109
VS3-5083-003	B - J71Y	WS3-5160-000	B - J5	WS3-5592-000	B - J59
VS3-5083-004	B - J81	WS3-5160-000	B - J62	WS3-5592-000	B - J60
VS3-5083-004	B - J85	WS3-5160-000	B - J64	WS3-5592-000	B - J1208
VS3-5083-004	B - J561	WS3-5160-000	B - J67	WS3-5592-000	B - J1501
VS3-5083-005	B - J67	WS3-5160-000	B - J70C	WS3-5592-000	B - J1502
VS3-5083-005	B - J82	WS3-5160-000	B - J70K	WS3-5592-000	B - J1503

NUMERICAL INDEX

iR C3200 Series(Numerical Index)

PARTS NUMBER	FIGURE & KEY NO.	PARTS NUMBER	FIGURE & KEY NO.	PARTS NUMBER	FIGURE & KEY NO
WS3-5596-000	B - J950	XA9-1624-000	360 - 28	XB3-6300-805	104 - 503
WS3-5680-000	B - J61	XB1-2260-407	272 - 501	XB3-6300-805	106 - 502
WS3-5680-000	B - J68	XB1-2260-807	900 - 501	XB3-6300-805	106 - 505
WS3-5680-000	B - J91	XB1-2300-407	101 - 506	XB3-6300-805	107 - 502
WS3-5680-000	B - J440	XB1-2300-407	330 - 501	XB3-6300-805	120 - 501
WS3-5680-000	B - J560	XB1-2300-407	360 - 501	XB3-6300-805	270 - 501
WS3-5680-000	B - J1311	XB1-2300-407	537 - 501	XB3-6300-805	272 - 502
WS3-5680-000	B - J1504	XB1-2300-409	900 - 26	XB3-6300-805	315 - 501
WS3-5721-000	B - J802	XB1-2300-507	104 - 509	XB3-6300-805	351 - 501
WS3-5730-000	B - J803	XB1-2300-607	104 - 502	XB3-6300-805	351A - 501
WS3-5730-000	B - J804	XB1-2300-607	130 - 503	XB3-6300-805	365 - 501
WS3-5730-000	B - J805	XB1-2300-607	351A - 507	XB3-6400-800	100 - 502
WS3-5730-000	B - J806	XB1-2300-607	535 - 501	XB3-6400-800	101 - 509
WS3-5759-000	B - J70	XB1-2300-607	910 - 501	XB3-6400-800	102 - 502
WS3-5759-000	B - J93	XB1-2300-807	108 - 503	XB3-6400-800	103 - 508
WS3-5759-000	B - J1505	XB1-2300-807	360 - 504	XB3-6400-800	104 - 508
WS3-5822-000	B - J802	XB1-2400-407	102 - 511	XB3-6400-800	105 - 501
WS3-5824-000	B - J802	XB1-2400-603	910 - 502	XB3-6400-800	106 - 504
WS4-0217-000	B - J12	XB1-2400-607	105 - 502	XB3-6400-800	107 - 504
WS4-0217-000	B - J13	XB1-2400-607	107 - 503	XB3-6400-800	108 - 501
WS4-0219-000	B - J12	XB1-2400-607	108 - 504	XB3-6400-800	271 - 501
WS5-5074-000	B - J1	XB1-2400-607	305 - 501	XB3-6400-800	330 - 502
WT1-5155-000	B - J52	XB1-2400-607	360 - 502	XB3-6400-800	351 - 502
WT1-5155-000	B - J558	XB1-2400-607	900 - 502	XB3-6400-800	351A - 502
WT1-5155-000	B - J608	XB1-2400-607	930 - 501	XB3-6400-800	360 - 503
WT1-5155-000	B - J612	XB1-2400-807	100 - 505	XB4-5300-607	104 - 501
WT1-5155-000	B - J616	XB1-2402-007	910 - 503	XB4-5300-607	560 - 502
WT1-5155-000	B - J620	XB1-2403-007	910 - 504	XB4-5300-807	100 - 501
WT2-5565-000	102 - 18C	XB1-2403-009	900 - 503	XB4-5300-807	101 - 501
WT2-5565-000	105 - 29	XB1-2404-007	193 - 501	XB4-5300-807	103 - 505
WT2-5565-000	260 - 3B	XB1-3300-607	310 - 505	XB4-5300-807	125 - 501
WT2-5565-000	270 - 3B	XB2-4231-207	105 - 503	XB4-5300-807	125A - 501
WT2-5639-000	810 - 53	XB2-4300-607	107 - 501	XB4-5300-807	130 - 502
X62-5133-000	B - J44	XB2-8300-607	108 - 502	XB4-5300-807	272 - 503
X65-5854-000	B - J44	XB2-8300-607	130 - 501	XB4-5300-807	321 - 501
XA9-0605-000	100 - 18E	XB2-8300-607	300 - 501	XB4-5300-807	351 - 503
XA9-0624-000	537 - 6	XB2-8300-607	535 - 502	XB4-5300-807	351A - 503
XA9-0633-000	100 - 43	XB2-8300-807	101 - 502	XB4-5300-807	361 - 503
XA9-0656-000	310 - 58	XB2-8300-807	108 - 506	XB4-5300-807	535 - 503
XA9-0721-010	101 - 18	XB2-8300-807	361 - 502	XB4-5300-807	537 - 502
XA9-0721-010	315 - 4	XB2-8300-807	810 - 501	XB4-5300-807	980 - 501
XA9-0724-000	351 - 35	XB2-8301-009	101 - 505	XB4-5300-807	981 - 501
XA9-0724-000	351A - 35	XB2-8301-009	105 - 511	XB4-5301-007	130 - 504
XA9-0774-000	100 - 29	XB2-8301-207	810 - 502	XB4-5301-007	315 - 502
XA9-0782-000	108 - 12	XB2-8400-807	105 - 504	XB4-5400-807	100 - 503
XA9-0783-000	100 - 54	XB2-8400-807	315 - 504	XB4-5400-807	315 - 508
XA9-0838-000	101 - 6	XB2-8401-007	315 - 514	XB4-5400-807	316 - 501
XA9-0896-000	900 - 7	XB2-8401-607	102 - 508	XB4-5400-807	330 - 503
XA9-1030-000	107 - 9	XB2-8300-600	101 - 503	XB4-5400-807	350 - 502
XA9-1401-000	106 - 505	XB3-6300-600	102 - 504	XB4-5400-807	360 - 505
XA9-1484-000	810 - 11	XB3-6300-600	260 - 501	XB4-5401-007	100 - 504
XA9-1624-000	330 - 11	XB3-6300-600	310 - 501	XB4-5401-007	315 - 503

NUMERICAL INDEX

iR C3200 Series(Numerical Index)

PARTS NUMBER	FIGURE & KEY NO.	PARTS NUMBER	FIGURE & KEY NO.	PARTS NUMBER	FIGURE & KEY NO.
XB4-5401-207	310 - 502	XD2-1100-502	280 - 503	XG9-0478-000	810 - 14
XB4-5403-007	192 - 501	XD2-1100-502	310 - 503	XG9-0513-000	351A - 47
XB4-5403-507	190 - 501	XD2-1100-502	315 - 510	XG9-0520-000	330 - 21
XB4-5403-507	194 - 501	XD2-1100-502	330 - 507	XG9-0520-000	360 - 68
XB4-6260-807	105 - 510	XD2-1100-502	350 - 503	XG9-0532-000	280 - 10
XB4-7300-609	100 - 507	XD2-1100-502	351 - 504	XH9-0059-000	102 - 3
XB6-7300-407	103 - 507	XD2-1100-502	351A - 504	XZ1-1300-605	351A - 509
XB6-7300-407	104 - 505	XD2-1100-502	360 - 508	XZ9-0556-000	351A - 50
XB6-7300-607	271 - 502	XD2-1100-502	361 - 504	XZ9-0585-000	101 - 38
XB6-7300-607	280 - 501	XD2-1100-502	365 - 503		
XB6-7300-607	321 - 502	XD2-1100-502	535 - 506		
XB6-7300-607	900 - 504	XD2-1100-502	560 - 504		
XB6-7300-805	351A - 510	XD2-1100-642	103 - 502		
XB6-7300-807	103 - 506	XD2-1100-642	271 - 505		
XB6-7300-807	300 - 502	XD2-1100-642	315 - 512		
XB6-7301-607	900 - 508	XD2-1100-642	330 - 508		
XB6-7400-607	350 - 501	XD2-1100-642	351 - 505		
XB6-7400-607	361 - 508	XD2-1100-642	351A - 505		
XD1-1104-135	105 - 506	XD2-1100-642	360 - 509		
XD1-1104-135	321 - 503	XD2-1100-642	535 - 507		
XD1-1104-135	360 - 506	XD2-1100-642	810 - 504		
XD1-1104-137	365 - 504	XD2-1100-802	102 - 501		
XD1-1104-138	810 - 506	XD2-2300-402	350 - 504		
XD1-1104-635	351A - 508	XD2-2300-602	330 - 504		
XD1-1105-235	900 - 509	XD2-2300-602	360 - 510		
XD1-1106-212	270 - 503	XD3-1300-102	101 - 507		
XD1-1106-212	535 - 504	XD3-1300-102	360 - 511		
XD1-1106-222	102 - 503	XD3-2200-102	315 - 513		
XD1-1106-235	316 - 502	XD3-2200-102	361 - 505		
XD1-1108-212	535 - 511	XD3-2200-102	560 - 501		
XD1-1108-225	535 - 505	XD3-2200-122	310 - 504		
XD1-1108-239	100 - 508	XD3-2200-122	330 - 505		
XD1-3100-407	108 - 505	XD3-2200-122	360 - 512		
XD1-4200-402	910 - 505	XD3-2200-122	361 - 506		
XD2-1100-242	105 - 507	XD3-2200-142	272 - 506		
XD2-1100-242	351 - 506	XD3-2200-142	315 - 515		
XD2-1100-242	351A - 506	XD3-2200-162	280 - 502		
XD2-1100-282	315 - 516	XD3-2200-182	271 - 506		
XD2-1100-282	360 - 513	XD3-2200-202	535 - 508		
XD2-1100-282	361 - 509	XD3-2300-142	810 - 505		
XD2-1100-322	272 - 504	XF9-0733-000	360 - 65		
XD2-1100-322	321 - 504	XF9-0734-000	360 - 66		
XD2-1100-322	330 - 506	XF9-0735-000	360 - 67		
XD2-1100-322	360 - 507	XF9-0736-000	351 - 31		
XD2-1100-322	810 - 503	XF9-0736-000	351A - 31		
XD2-1100-402	361 - 501	XG9-0177-000	102 - 6		
XD2-1100-502	103 - 501	XG9-0211-000	315 - 7		
XD2-1100-502	104 - 507	XG9-0245-000	535 - 26		
XD2-1100-502	125 - 502	XG9-0264-000	271 - 11		
XD2-1100-502	125A - 502	XG9-0415-000	535 - 27		
XD2-1100-502	270 - 502	XG9-0476-000	102 - 5		
XD2-1100-502	272 - 505	XG9-0477-000	810 - 12		

iR C3200 Series(Parts Catalog)

iR C3200S Printer + Reader Model Plain Type

100V 50/60Hz F14-2412-000 MLF00001-

100V 50/60Hz F14-2416-000 MLU00001-

S3200 Printer + Reader Model Plain Type

100V 50/60Hz F14-2413-000 MLG00001-

100V 50/60Hz F14-2417-000 MLV00001-

V3200 Printer + Reader Model Plain Type

100V 50/60Hz F14-2415-000 JFM00001-

100V 50/60Hz F14-2415-000 MLG00001-

iR C3200 Printer + Reader Model Duplex Type

100V 50/60Hz F14-2512-000 MLH00001-

100V 50/60Hz F14-2516-000 MLW00001-

iR C3200N Printer + Reader Model Duplex Type

100V 50/60Hz F14-2514-000 MLT00001-

iR C3200N Printer + Reader Model Duplex Type100V

100V 50/60Hz F14-2518-000 MLX00001-

Color imageRUNNER C3200 Printer + Reader Model Duplex Type

120V 60Hz F14-2532-000 MSK00001-

iR C3200 Printer Model Duplex Type

120V 60Hz F14-2501-000 MSN00001-

iR C3200 Printer Model Duplex Type120V

220V 50Hz	F14-2541-000	SSY00001-
240V 50Hz	F14-2561-000	RLZ00001-
220V 50Hz	F14-2570-000	RQZ00001-

CLC3200 Printer Model Duplex Type

220V 50Hz	F14-2521-000	SSX00001-
240V 50Hz	F14-2551-000	QLZ00001-
220V 50Hz	F14-2571-000	SLZ00001-
220V 50Hz	F14-2581-000	TLZ00001-
220V 50Hz	F14-2591-000	UKF00001-

iR C3200N Printer Model Duplex Type

220V 50Hz	F14-2524-000	LCK00001-
220V 50Hz	F14-2544-000	JCL00001-
240V 50Hz	F14-2554-000	JBC00001-
240V 50Hz	F14-2560-000	RQY00001-
220V 50Hz	F14-2574-000	JBQ00001-
220V 50Hz	F14-2584-000	JCJ00001-
220V 50Hz	F14-2594-000	JAF00001-

Color imageRUNNER C3200 Printer Model Duplex Type

120V 60Hz	F14-2531-000	MSL00001-
-----------	--------------	-----------

FL Cassette-X1

F32-3501-000

Copy Tray Unit-H1

F24-2105-000

CST. Heater Unit-24

100V F24-5215-000 XJV00001-

230V F24-5245-000

CST. Heater Kit-A1

100V F24-5206-000

230V F24-5236-000

Document Tray-J1

F31-9751-000

Key Switch Unit-A1

F26-3201-000

iR C3220

100V F14-5516-000 J LZ00001-

230V F14-5527-000 JNL00001-

120V F14-5536-000 JNC00001-

120V F14-5537-000 JND00001-

230V F14-5547-000 JNP00001-

230V F14-5557-000 JNF00001-

230V F14-5567-000 JNQ00001-

230V F14-5577-000 JNJ00001-

230V F14-5587-000 JNK00001-

230V	F14-5597-000	JNE00001-
------	--------------	-----------

iR C3220G

120V	F14-5539-000	JPM00001-
------	--------------	-----------

iR C3220N

100V	F14-5501-000	JNB00001-
------	--------------	-----------

230V	F14-5528-000	JPK00001-
------	--------------	-----------

230V	F14-5548-000	JNL00001-
------	--------------	-----------

230V	F14-5558-000	JPG00001-
------	--------------	-----------

230V	F14-5578-000	JPH00001-
------	--------------	-----------

230V	F14-5588-000	JPJ00001-
------	--------------	-----------

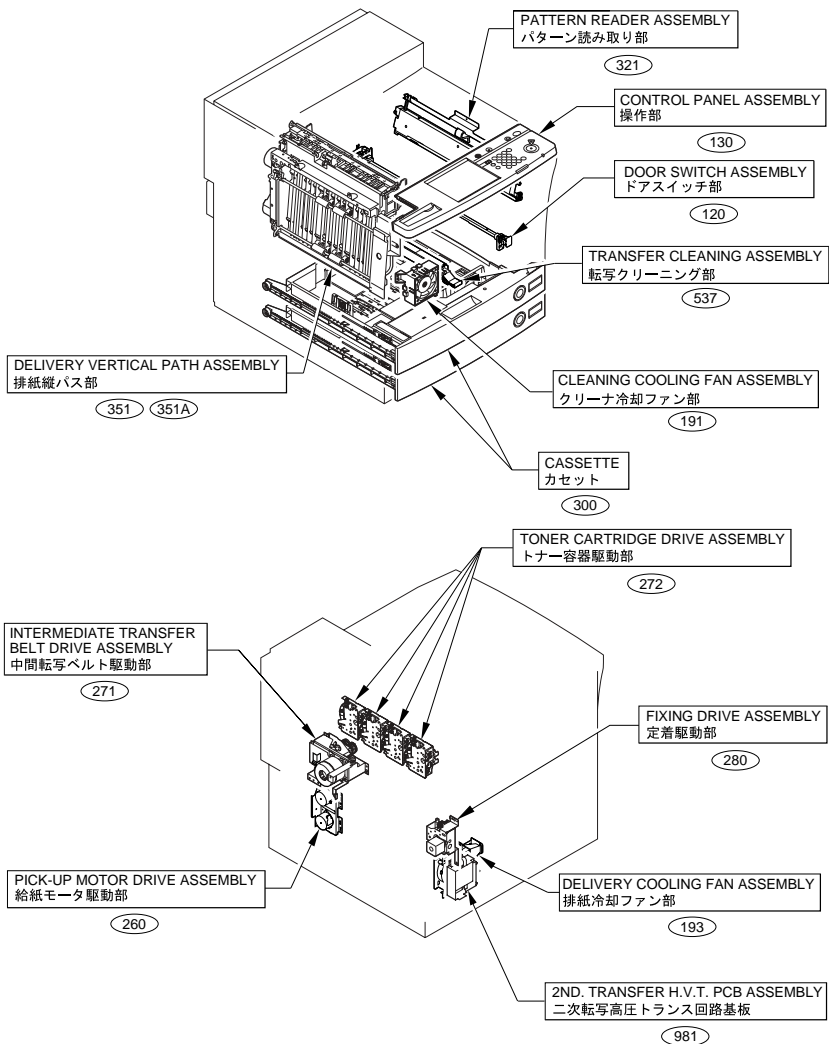
230V	F14-5598-000	JPF00001-
------	--------------	-----------

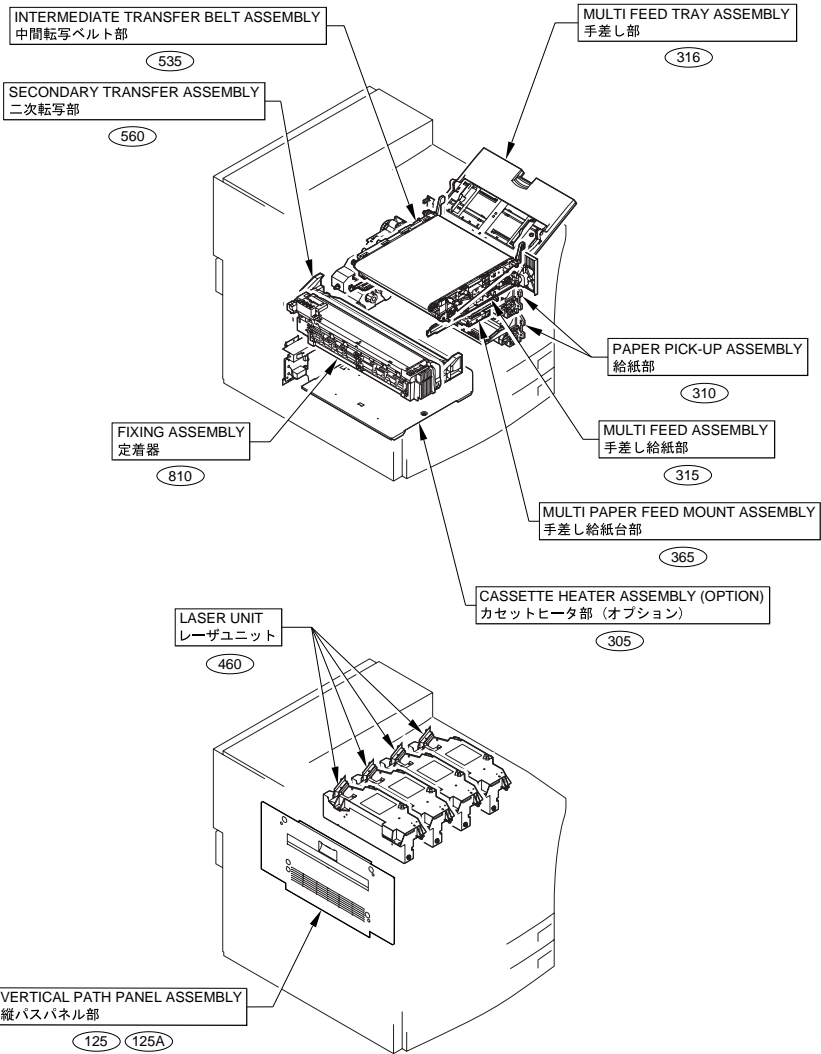
Contents

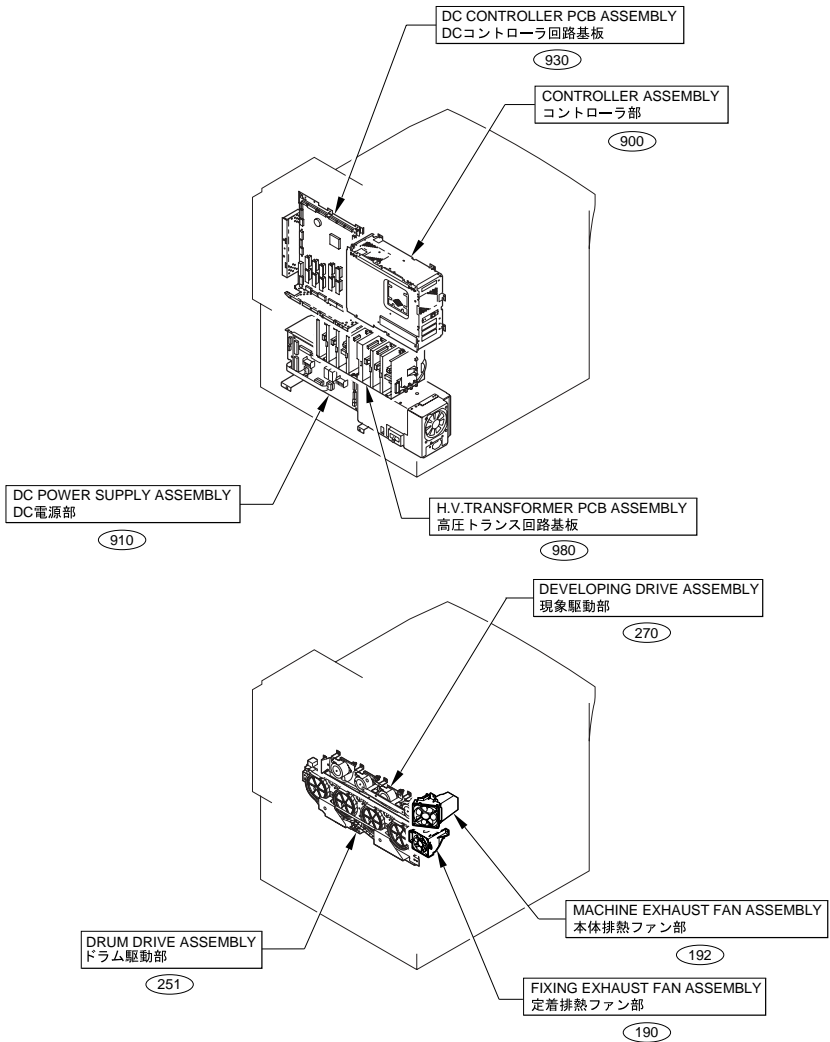
A	ASSEMBLY LOCATION DIAGRAM	2-1
100	EXTERNAL COVERS, PANELS, ETC.	2-6
101	MACHINE FRONT PLATE	2-10
102	INTERNAL COMPONENTS 1	2-14
103	INTERNAL COMPONENTS 2	2-17
104	INTERNAL COMPONENTS 3	2-19
105	INTERNAL COMPONENTS 4	2-22
106	INTERNAL COMPONENTS 5	2-25
107	MACHINE REAR PLATE 1	2-27
108	MACHINE REAR PLATE 2	2-29
120	DOOR SWITCH ASSEMBLY	2-31
125	VERTICAL PATH PANEL ASSEMBLY (OLD)	2-32
125A	VERTICAL PATH PANEL ASSEMBLY (NEW)	2-34
130	CONTROL PANEL ASSEMBLY	2-36
190	FIXING EXHAUST FAN ASSEMBLY	2-38
191	CLEANING COOLING FAN ASSEMBLY	2-39
192	MACHINE EXHAUST FAN ASSEMBLY	2-40
193	DELIVERY COOLING FAN ASSEMBLY	2-41
194	MULTI FAN ASSEMBLY (DUPLEX TYPE)	2-42
251	DRUM DRIVE ASSEMBLY	2-43
260	PICK-UP MOTOR DRIVE ASSEMBLY	2-45
270	DEVELOPING DRIVE ASSEMBLY	2-46
271	INTERMEDIATE TRANSFER BELT DRIVE ASSEMBLY	2-47
272	TONER CARTRIDGE DRIVE ASSEMBLY	2-49
280	FIXING DRIVE ASSEMBLY	2-51
300	CASSETTE	2-52
305	CASSETTE HEATER ASSEMBLY (OPTION)	2-55
310	PAPER PICK-UP ASSEMBLY	2-56
315	MULTI FEED ASSEMBLY	2-60
316	MULTI FEED TRAY ASSEMBLY	2-66
321	PATTERN READER ASSEMBLY	2-68
330	FIXING FEEDER ASSEMBLY (PLAIN TYPE)	2-70
350	FACE-UP DELIVERY ASSEMBLY (PLAIN TYPE)	2-73
351	DELIVERY VERTICAL PATH ASSEMBLY (OLD)	2-75
351A	DELIVERY VERTICAL PATH ASSEMBLY (NEW)	2-78
360	DUPLEXING ASSEMBLY (DUPLEX TYPE)	2-82
361	EXTERNAL DELIVERY COVER ASSEMBLY (DUPLEX TYPE)	2-88
365	MULTI PAPER FEED MOUNT ASSEMBLY	2-91
460	LASER UNIT	2-94
535	INTERMEDIATE TRANSFER BELT ASSEMBLY	2-95
537	TRANSFER CLEANING ASSEMBLY	2-98
560	SECONDARY TRANSFER ASSEMBLY	2-99
810	FIXING ASSEMBLY	2-101
900	CONTROLLER ASSEMBLY	2-105
910	DC POWER SUPPLY ASSEMBLY	2-108

930	DC CONTROLLER PCB ASSEMBLY	2-110
980	H.V. TRANSFORMER PCB ASSEMBLY.....	2-111
981	2ND TRANSFER H.V.T. PCB ASSEMBLY.....	2-112
B	LIST OF CONNECTORS.....	2-113

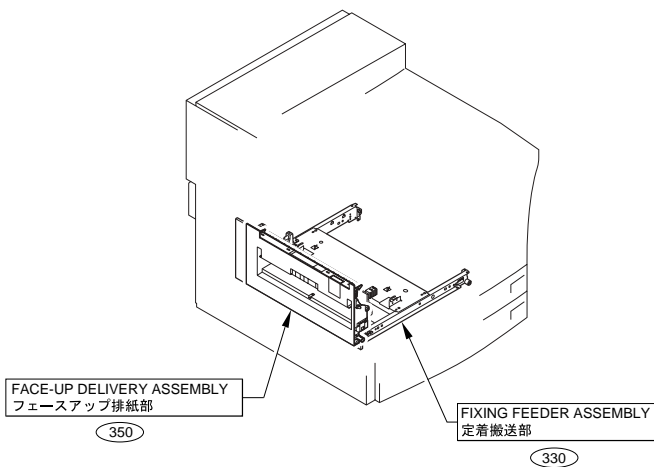
FIGURE A ASSEMBLY LOCATION DIAGRAM



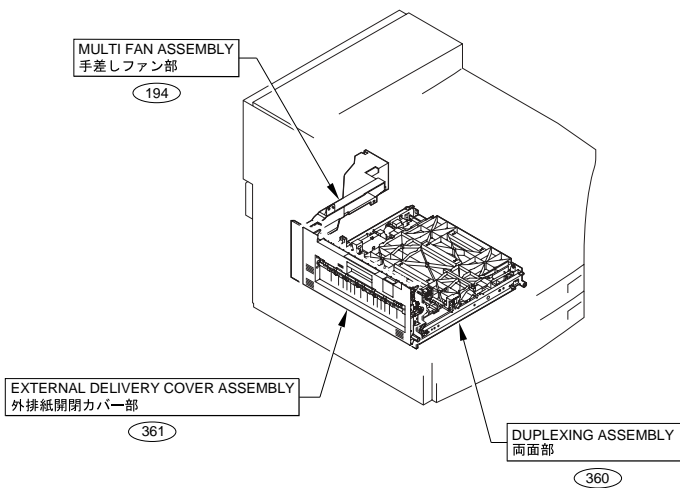




PLAIN TYPE



DUPLEX TYPE



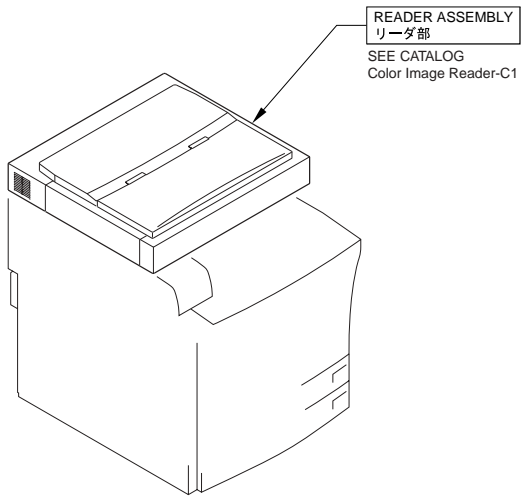


FIGURE 100 EXTERNAL COVERS, PANELS, ETC.

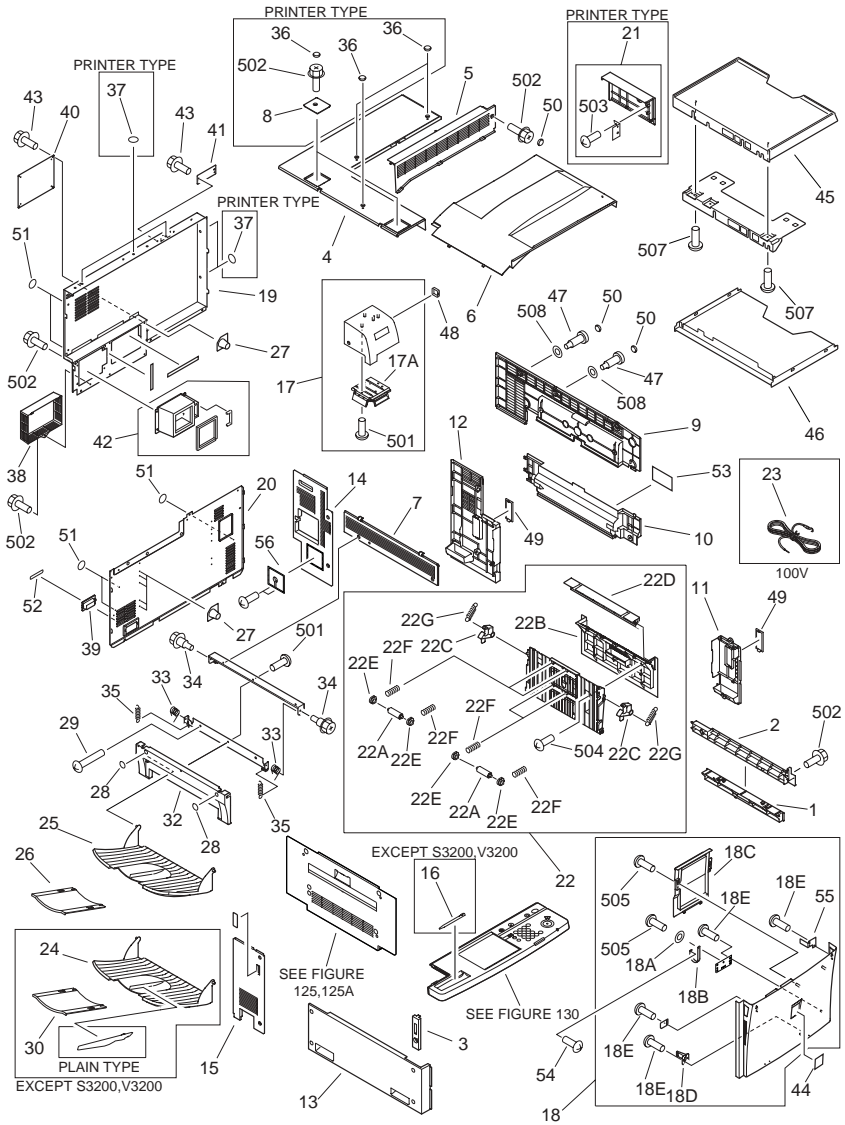


FIGURE & KEY NO.	PARTS NUMBER	R A N K	Q'TY	DESCRIPTION	SERIAL NUMBER/ REMARKS	S V C
Fig.100	NPN		RF	EXTERNAL COVERS, PANELS, ETC.		
1	FB6-3443-000		1	RIGHT PANEL, LOWER		
2	FB6-3504-000		1	RIGHT PANEL, LOWER		
3	FB6-3722-000		1	PANEL, PAPER DELIVERY, SMALL		
4	FB6-3765-020		1	UPPER PANEL, 1		
5	FB6-3766-000		1	UPPER PANEL, 2		
6	FC7-9328-000		1	TRAY, FACE-DOWN		
7	FB6-3768-020		1	LEFT PANEL, UPPER		
8	FC7-1433-000		1	PANEL, SMALL, FRONT	PRINTER TYPE	
9	FB6-3775-000		1	RIGHT PANEL, UPPER		
10	FB6-3776-000		1	RIGHT PANEL, MIDDLE		
11	FB6-3777-000		1	RIGHT PANEL, FRONT		
12	FB6-3778-000		1	RIGHT PANEL, REAR		
13	FB6-3785-000		1	LEFT PANEL, LOWER		
14	FB6-3834-000		1	LEFT PANEL, REAR UPPER	EXCEPT S3200,V3200	
14	FB6-4870-000		1	LEFT PANEL, REAR UPPER	S3200,V3200	
15	FB6-3835-000		1	LEFT PANEL, REAR LOWER		
16	FB6-3950-000		1	PEN, TOUCH PANEL	EXCEPT S3200,V3200	
17	FG6-8927-020		1	UPPER PANEL, LEFT		
17A	FB6-3788-020		1	PANEL, CARD		
18	FG6-8945-020		1	PANEL, FRONT		
18A	FA2-7162-000		1	PLAIN WASHERS		
18B	FB6-2973-000		1	TAPE, FRONT PANEL SUPPORT		
18C	FB6-2994-000		1	CASE, SERVICE		
18D	FB6-3139-000		1	CLAW, SWING		
18E	XA9-0605-000		8	SCREW,P,M4X8		
19	FB6-3791-020		1	REAR PANEL, UPPER	OLD TYPE	
19	FB6-3791-040		1	REAR PANEL, UPPER	NEW TYPE	
20	FB6-3792-000		1	REAR PANEL, LOWER		
21	FG6-9012-000		1	PANEL, RACK, SMALL	PRINTER TYPE	
22	FG6-9019-000		1	RIGHT DOOR ASSEMBLY		
22A	FC8-3782-000		4	ROLLER, PAPER FEED		

FIGURE & KEY NO.	PARTS NUMBER	R A N K	Q'TY	DESCRIPTION	SERIAL NUMBER/ REMARKS	S V C
22B	FB6-3503-000		1	PANEL, RIGHT		
22C	FB6-3331-000		2	HOOK, DOOR		
22D	FB6-3332-000		1	PANEL, DECK PATH		
22E	FS5-1595-000		8	BLOCK, ROLLER		
22F	FU6-2924-000		4	SPRING, COMPRESSION		
22G	FS7-2789-000		2	SPRING, TENSION		
23	FH2-5006-000		1	CABLE, GROUNDING	100V	
24	FB6-3561-000		1	TRAY, DELIVERY, 1	DUPLEX TYPE	
24	FF6-2130-000		1	TRAY, DELIVERY, 1	PLAIN TYPE EXCEPT S3200,V3200	
25	FB6-3561-000		1	TRAY, DELIVERY, 1		
26	FB6-3562-000		1	TRAY, DELIVERY, 2		
27	FB5-8385-000		6	CAP. DUST-PROOF		
28	FB2-4456-000		2	SEAL		
29	XA9-0774-000		2	SCREW,RS,M4X16		
30	FB6-3562-000		1	TRAY, DELIVERY, 2	EXCEPT S3200,V3200	
32	FB6-3566-000		1	HOLDER, TRAY		
33	FB6-3569-020		2	SPRING, TORSION		
34	FS5-9274-020		2	SCREW,STEPPED,M5X2.5		
35	FS7-2855-000		2	SPRING, TENSION		
36	FB6-3771-000		7	COVER, RUBBER	PRINTER TYPE	
37	FC5-0166-000		5	SEAL, BLANKING	PRINTER TYPE	
38	FB6-3051-000		1	PANEL, EXHAUST		
39	FB6-3105-000		1	PANEL, BREAKER		
40	FB6-3106-000		1	PANEL, ASSIST	OLD TYPE	
40	FB6-6636-000		1	PANEL, ASSIST	NEW TYPE	
41	FB6-3793-000		1	PANEL, BLANKING, FAX		
42	FF6-2132-000		1	DUCT, JOINT, FIXING		
43	XA9-0633-000		6	SCREW,RS W/WASHER,M4X8		
44	FB6-3894-000		1	EMBLEM	MLH,MLW,MSN,SSY,RLZ ,RQZ	
44	FB6-3895-000		1	EMBLEM	MLF,MLU	
44	FB6-3896-000		1	EMBLEM	MLV,MLG	

FIGURE & KEY NO.	PARTS NUMBER	R A N K	Q'TY	DESCRIPTION	SERIAL NUMBER/ REMARKS	S V C
44	FB6-4890-000		1	EMBLEM	MSK,MSL	
44	FB6-4920-000		1	EMBLEM	UKF,QLZ,SLZ,TLZ,SSX	
44	FB6-4923-000		1	EMBLEM	MLT,MLX,JCK,JCL,JBCJB Q,JCJ,JAF,RQY	
44	FB6-5800-000		1	EMBLEM	JFM,MLG 90001-90500	
44	FB6-6385-000		1	EMBLEM	JLZ,JNP,JNQ	
44	FB6-6386-000		1	EMBLEM	JNB,JPK,JNL,JPG,JPH,JP J,JPF	
44	FB6-6387-000		1	EMBLEM	JNL,JNF,JNJ,JNK,JNE	
44	FB6-6388-000		1	EMBLEM	JND,JNC	
44	FB6-6389-000		1	EMBLEM	JPM	
45	FB6-5450-000		1	TRAY, DOCUMENT, UPPER		
46	FB6-5451-000		1	TRAY, DOCUMENT, LOWER		
47	FS5-9161-020		2	SCREW, STEPPED, M4		
48	FB6-3006-000		1	CAP, BLANKING		
49	FB6-3376-000		2	COVER, LATCH, RIGHT		
50	FB6-3771-000		3	COVER, RUBBER		
51	FC5-0166-000		5	SEAL, BLANKING		
52	FB6-3886-000		1	LABEL, BREAKER ON/OFF		
53	FS7-8332-000		1	LABEL, LASER WARNING		
54	XA9-0783-000		1	SCREW,RS,M4X12		
55	FB6-2972-000		1	PLATE, MAGNET		
56	FB6-3234-000		1	SUPPORT, CABLE		
501	XB4-5300-807		AR	SCREW,P,M3X8		
502	XB3-6400-800		AR	SCREW,RS,M4X8		
503	XB4-5400-807		AR	SCREW,P,M4X8		
504	XB4-5401-007		AR	SCREW,P,M4X10		
505	XB1-2400-807		AR	SCREW,MACH.,TRUSS HEAD,M4X8		
507	XB4-7300-609		AR	SCREW,TAPPING,TRUSS HEAD,M3X6		
508	XD1-1108-239		AR	SHIM		

FIGURE 101 MACHINE FRONT PLATE

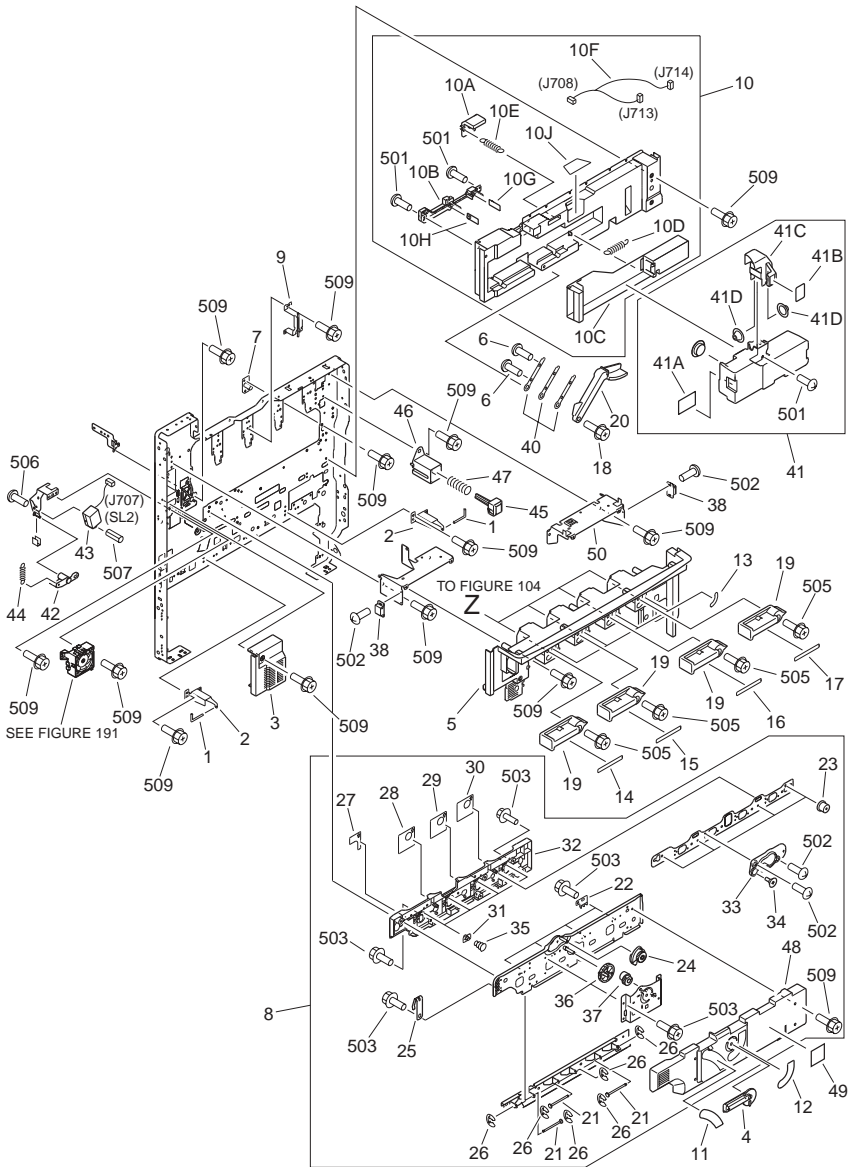


FIGURE & KEY NO.	PARTS NUMBER	R A N K	Q'TY	DESCRIPTION	SERIAL NUMBER/ REMARKS	S V C
Fig.101	NPN		RF	MACHINE FRONT PLATE		
1	FB1-7173-000		2	PIN, HINGE		
2	FB6-2990-000		2	HINGE, FRONT PANEL		
3	FB6-3158-000		1	COVER, CLEANING FAN		
4	FB6-3195-000		1	HANDLE, DRUM UNIT		
5	FB6-3196-000		1	COVER, INTERNAL, UPPER		
6	XA9-0838-000		2	SCREW,W/WASHER,M4X16		
7	FF6-2038-000		1	PLATE, POSITIONING		
8	FG6-9000-000		1	DRUM UNIT COVER ASSEMBLY		
9	FF6-2085-000		1	SUPPORT, LEAD CAM		
10	FG6-8991-000		1	INTERNAL COVER, LOWER		
10A	FB6-3124-020		1	FLAG, BOTTLE DETECT		
10B	FB6-3127-000		1	COVER, SENSOR		
10C	FF6-2114-000		1	COVER, SWING		
10D	FS7-2844-000		1	SPRING, TENSION		
10E	FS7-2845-000		1	SPRING, TENSION		
10F	FG3-2314-000		1	CABLE, WASTE TONER SENSOR	J708,713,714	
10G	FG3-2374-000		1	WASTE TONER SENSOR PCB ASS'Y		
10H	FG3-2375-000		1	WASTE TONER SENSOR PCB ASS'Y		
10J	FB6-3862-000		1	LABEL, ITB LOCK LEVER		
11	FB6-3827-000		1	LABEL, ITB LOCK LEVER POSITION		
12	FB6-3828-020		1	LABEL, PROCESS HANDLE POSITION		
13	FB6-3829-000		4	LABEL, T.CRG. LEVER POSITION		
14	FB6-3830-000		1	COLOR LABEL, LEVER, YELLOW		
15	FB6-3831-000		1	COLOR LABEL, LEVER, MAGENTA		
16	FB6-3832-000		1	COLOR LABEL, LEVER, CYAN		
17	FB6-3833-000		1	COLOR LABEL, LEVER, BLACK		
18	XA9-0721-010		1	SCREW,RS,M4X10		
19	FG6-9005-000		4	LEVER, TONER CARTRIDGE		
20	FB6-2987-000		1	LEVER, TRANSFER PRESSURE		
21	FB6-7003-000		3	SHAFT, HINGE		
22	FB6-3199-000		4	PLATE, CONTACT		

FIGURE & KEY NO.	PARTS NUMBER	RANK	Q'TY	DESCRIPTION	SERIAL NUMBER/REMARKS	SVC
23	FB6-3202-000		4	BUSHING		
24	FB6-3203-000		1	CAM, LEAD		
25	FB6-3205-000		1	PLATE, GROUNDING		
26	FB6-3207-000		3	RING, HINGE SHAFT STOP		
27	FB6-3819-020		1	LABEL, COLOR, YELLOW		
28	FB6-3820-020		1	LABEL, COLOR, YELLOW/MAGENTA		
29	FB6-3821-020		1	LABEL, COLOR, MAGENTA/CYAN		
30	FB6-3822-020		1	LABEL, COLOR, CYAN/BLACK		
31	FF6-2099-000		4	PIN, THRUST		
32	FF6-2110-000		1	GUIDE, DRUM UNIT DOOR		
33	FS5-6949-000		4	SPACER		
34	FS5-9754-020		4	SCREW,MACH.,C.S. HEAD,M3X4.5		
35	FS7-2826-000		4	SPRING, COMPRESSION		
36	FU3-0308-000		1	GEAR, 44T		
37	FU3-0309-000		1	GEAR, 22T		
38	XZ9-0585-000		2	MAGNET CATCH		
40	FB6-2988-000		3	PLATE, LEVER REINFORCEMENT		
41	FG6-8992-030		1	BOTTLE, WASTE TONER		
41A	FB6-3882-020		1	LABEL, WASTE TONER WARNING		
41B	FB6-3860-000		1	LABEL, WASTE TONER BOTTLE		
41C	FB6-3129-000		1	GRIP, BOTTLE		
41D	FB6-3883-000		2	COVER, WASTE TONER SHIELD		
42	FB6-3631-000		1	LINK, SOLENOID		
43	FH6-5088-000		1	SOLENOID	SL2, J707	
44	FS7-2833-000		1	SPRING, TENSION		
45	FB6-3282-000		1	BUTTON, CLEANING		
46	FB6-3283-000		1	HOLDER, CLEANING BUTTON		
47	FS7-2849-000		1	SPRING, COMPRESSION		
48	FB6-3194-000		1	COVER, DRUM UNIT DOOR		
49	FS7-8332-000		1	LABEL, LASER WARNING		
50	FB6-2995-000		1	MOUNT, CONTROL PANEL		
501	XB4-5300-807		AR	SCREW,P,M3X8		

FIGURE & KEY NO.	PARTS NUMBER	RANK	Q'TY	DESCRIPTION	SERIAL NUMBER/REMARKS	SVC
502	XB2-8300-807		AR	SCREW,W/WASHER,M3X8		
503	XB3-6300-600		AR	SCREW,RS,M3X6		
505	XB2-8301-009		AR	SCREW,W/WASHER,M3X10		
506	XB1-2300-407		AR	SCREW,MACH.,TRUSS HEAD,M3X4		
507	XD3-1300-102		AR	PIN,SPRING		
509	XB3-6400-800		AR	SCREW,RS,M4X8		
	FB6-2996-000		1	MOUNT,CONTROL PANELL,LEFT		

FIGURE & KEY NO.	PARTS NUMBER	R A N K	Q'TY	DESCRIPTION	SERIAL NUMBER/ REMARKS	S V C
Fig.102	NPN		RF	INTERNAL COMPONENTS 1		
1	FB6-2992-000		1	PLATE, GROUNDING		
2	FB6-3442-000		1	HANDLE, FRONT		
3	XH9-0059-000		2	FOOT, RUBBER		
4	FB6-5060-000		1	PANEL, HEATER PCB		
5	XG9-0476-000		2	BUSHING		
6	XG9-0177-000		2	BEARING, BALL		
7	FB6-3963-000		2	SHAFT, ROLLER		
8	FB6-3962-000		2	SUPPORT, ROLLER, LOWER		
9	FB6-3961-000		2	SUPPORT, ROLLER, UPPER		
10	FB6-3507-000		4	BLOCK, SWING		
11	FG3-2348-000		2	CABLE, CASSETTE SIZE SENSOR	J807,808J809,810	
12	WC2-5332-000		2	SWITCH, CASSETTE SIZE	SW2,3 J810,809	
13	FS7-2808-000		2	SPRING, COMPRESSION		
14	FS7-2807-000		2	SPRING, COMPRESSION		
15	FB6-3494-000		2	HOLDER, SWITCH, 3		
16	FB6-3493-000		2	HOLDER, SWITCH, 2		
17	FB6-3492-000		2	HOLDER, SWITCH, 1		
18	FG3-2347-000		1	CABLE, LEFT LOWER CROSSMEMBER	J801,807,808	
18A	VS1-7173-005		2	CONNECTOR, SNAP TIGHT	J807,808	
18B	VS1-7173-010		1	CONNECTOR, SNAP TIGHT	J801	
18C	WT2-5565-000		1	CLAMP, CABLE		
19	FF6-2063-000		2	PLATE, SIDE REGIST. ADJUSTMENT		
22	FB5-8385-000		4	CAP, DUST-PROOF		
23	FB6-2986-000		2	CAM, LOCK		
24	FB6-2985-000		1	SHAFT, SWING		
25	FS7-2865-000		1	SPRING, TORSION		
26	FG9-3986-000		1	CONNECTOR, SHORT	OLDJ1125	
26	VS1-7173-003		1	CONNECTOR, SNAP TIGHT	NEWJ1125	
26A	VS1-7173-003		1	CONNECTOR, SNAP TIGHT	OLDJ1125	
27	FB6-3497-000		1	RAIL, LEFT		
28	FB6-3495-000		1	RAIL, RIGHT		

FIGURE & KEY NO.	PARTS NUMBER	RANK	Q'TY	DESCRIPTION	SERIAL NUMBER/REMARKS	SVC
501	XD2-1100-802		AR	RING,E		
502	XB3-6400-800		AR	SCREW,RS,M4X8		
503	XD1-1106-222		AR	SHIM		
504	XB3-6300-600		AR	SCREW,RS,M3X6		
508	XB2-8401-607		AR	SCREW,W/WASHER,M4X16		
511	XB1-2400-407		AR	SCREW,MACH.,TRUSS HEAD,M4X4		

FIGURE 103 INTERNAL COMPONENTS 2

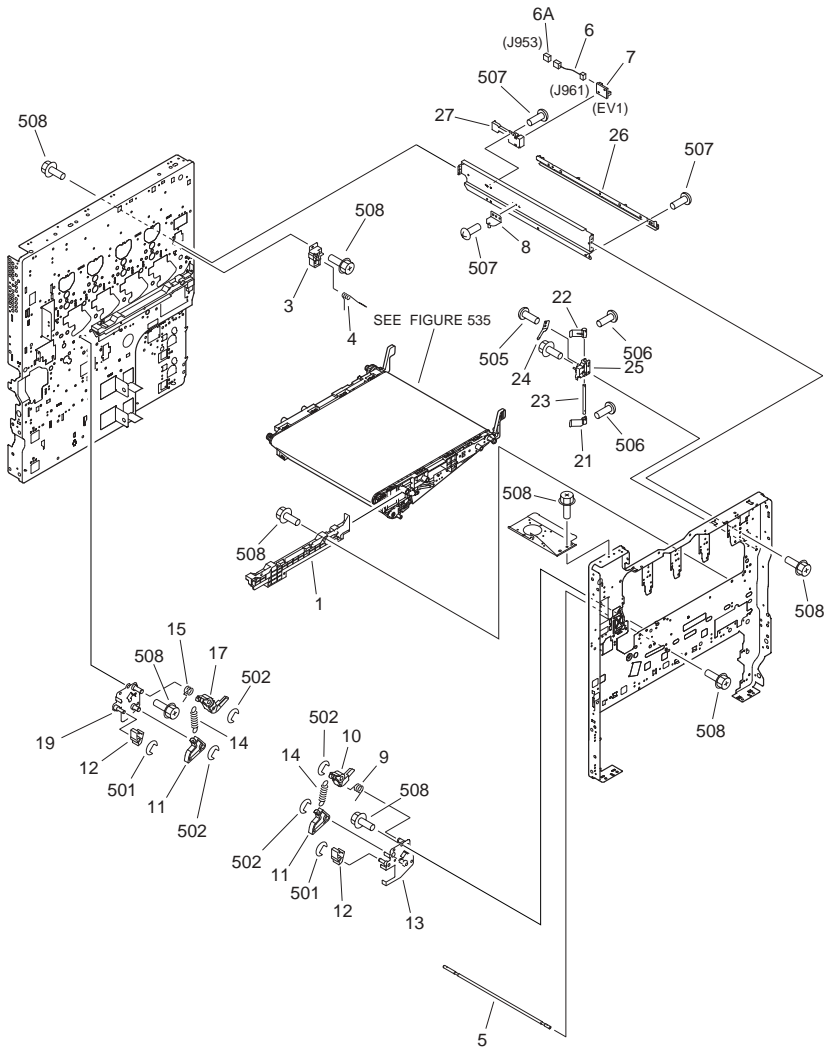


FIGURE & KEY NO.	PARTS NUMBER	R A N K	Q'TY	DESCRIPTION	SERIAL NUMBER/ REMARKS	S V C
Fig.103	NPN		RF	INTERNAL COMPONENTS 2		
1	FB6-2991-000		1	RAIL, TRANSFER, FRONT		
3	FB6-3288-000		1	BLOCK, REG. SENSOR POSITION, R		
4	FB6-3289-000		1	SPRING, TORSION		
5	FB6-3371-000		1	SHAFT, POSITIONING		
6	FG3-2319-000		1	CABLE, ENVIRONMENT SENSOR	J953,961	
6A	VS1-7173-004		1	CONNECTOR, SNAP TIGHT	J953	
7	FH7-7602-020		1	ENVIRONMENT SENSOR UNIT	EV1 J961	
8	FF6-2047-000		1	PLATE, OPEN/CLOSE PIN		
9	FB6-2960-000		1	SPRING, TORSION		
10	FB6-2961-000		1	ARM, PRESSURE, FRONT		
11	FC8-3770-000		2	LEVER, LOCK		
12	FB6-2968-000		2	CAM, SWING		
13	FF6-2016-000		1	SUPPORT, SWING SHAFT, FRONT		
14	FS7-2785-000		2	SPRING, TENSION		
15	FB6-2964-000		1	SPRING, TORSION		
17	FB6-2967-000		1	ARM, PRESSURE, REAR		
19	FF6-2017-000		1	SUPPORT, SWING SHAFT, REAR		
21	FB6-3278-000		1	CAM, CLEANING, 1		
22	FB6-3279-000		1	CAM, CLEANING, 2		
23	FB6-3280-000		1	SHAFT, CLEANING CAM		
24	FB6-3281-000		1	SPRING, LEAF		
25	FB6-3277-000		1	BLOCK, REG. SENSOR POSITION, F		
26	FB6-3172-000		1	RAIL, DRUM UNIT		
27	FB6-3285-000		1	COVER, ENVIRONMENT SENSOR		
501	XD2-1100-502		AR	RING,E		
502	XD2-1100-642		AR	RING,E		
505	XB4-5300-807		AR	SCREW,P,M3X8		
506	XB6-7300-807		AR	SCREW,TP,M3X8		
507	XB6-7300-407		AR	SCREW,TP,M3X4		
508	XB3-6400-800		AR	SCREW,RS,M4X8		
	FB6-3005-000		1	PLATE, SPEAKER MOUNT		

FIGURE & KEY NO.	PARTS NUMBER	R A N K	Q'TY	DESCRIPTION	SERIAL NUMBER/ REMARKS	S V C
Fig.104	NPN		RF	INTERNAL COMPONENTS 3		
1	FB6-6641-000		1	RAIL, MAGENTA		
2	FB6-3188-000		1	RAIL, CYAN		
3	FB6-3189-000		1	RAIL, BLACK		
4	FF6-2107-000		1	DUCT, T. CARTRIDGE SIDE PLATE		
5	FF6-2039-000		1	PLATE, POSITIONING, LEFT		
6	FB6-3800-000		1	PLATE, DUCT SEPARATION		
7	FB6-3801-000		1	SEAL, DUCT, 1		
8	FB6-3807-000		1	SEAL, DUCT, 7		
9	FF6-2106-000		1	DUCT, DRUM UNIT		
10	FA3-8727-000		2	RING, RETAINING		
11	FB6-3116-000		1	SEAL, DUCT, UPPER		
12	FB6-3117-020		1	FEEDSCREW		
13	FB6-3118-000		1	SHEET		
14	FB6-3119-000		1	CASE, FEEDSCREW		
15	FB6-3120-000		1	SHUTTER, CLEANING		
16	FB6-3152-000		1	GUIDE		
17	FF6-2033-000		1	RAIL, CLEANING SUPPORT		
18	FS6-1060-000		1	BUSHING		
19	FS7-0579-000		1	GEAR, 25T		
20	FB6-3190-000		4	BLOCK, TONER CARTRIDGE LEVER		
21	FS7-2842-000		2	SPRING, COMPRESSION		
22	FS7-2843-000		1	SPRING, COMPRESSION		
23	FU3-0343-000		1	GEAR, 28T/28T		
24	FB6-3172-000		4	RAIL, DRUM UNIT		
25	FB6-3173-000		4	PLATE, TONER CARTRIDGE LOCK		
26	FB6-3175-000		8	RAIL, TONER CARTRIDGE		
31	FB6-3192-000		4	SHAFT, TONER CARTRIDGE LEVER		
32	FB6-3193-000		4	BAR, SLIDE		
33	FU3-0345-000		4	GEAR, 32T		
34	FM1-0431-000		1	SCREW UNIT, ITB CLEANER		
501	XB4-5300-607		AR	SCREW,P,M3X6		

FIGURE & KEY NO.	PARTS NUMBER	RANK	Q'TY	DESCRIPTION	SERIAL NUMBER/REMARKS	SVC
502	XB1-2300-607		AR	SCREW,MACH.,TRUSS HEAD,M3X6		
503	XB3-6300-805		AR	SCREW,RS,M3X8		
505	XB6-7300-407		AR	SCREW,TP,M3X4		
507	XD2-1100-502		AR	RING,E		
508	XB3-6400-800		AR	SCREW,RS,M4X8		
509	XB1-2300-507		AR	SCREW,MACH.,TRUSS HEAD,M3X5		
	FF6-2040-000		4	RAIL		
	FB6-3170-000		4	T GUIDE		

FIGURE & KEY NO.	PARTS NUMBER	R A N K	Q'TY	DESCRIPTION	SERIAL NUMBER/ REMARKS	S V C
Fig.105	NPN		RF	INTERNAL COMPONENTS 4		
1	FB6-3261-000		4	PLATE, SCANNER ADJUSTMENT		
2	FB6-3262-000		3	COVER, LASER, 1		
3	FB6-3263-000		1	COVER, LASER, 2		
4	FF2-5915-000		1	KEY, SWITCH		
5	FG3-3004-020		1	CABLE, KEY SWITCH	J537	
6	FG3-2346-000		1	CABLE, DRAWER	J750,755	
6A	VS1-6319-030		1	CONNECTOR, SNAP TIGHT	J755	
6B	VS1-6919-031		1	CONNECTOR, DRAWER	J750	
7	FS7-2796-000		2	SPRING, COMPRESSION		
8	FS5-9758-020		2	SCREW, STEPPED, M3		
9	FB6-3143-030		1	FLAG, FIXING/FEEDER SENSOR		
10	FB6-3145-000		1	COVER, DRAWER CONNECTOR		
11	FF6-2034-000		1	DUCT, CLEANING		
12	FB6-3366-000		1	MOUNT, DRAWER CABLE		
13	FB6-3839-000		1	SEAL, DUCT		
14	FK2-0149-000		1	PHOTO-INTERRUPTER	PS5 J709	
15	FS5-9760-020		1	SCREW, RS STEPPED, M3		
16	FS7-2848-000		2	SPRING, COMPRESSION		
17	FS7-2853-000		1	SPRING, COMPRESSION		
18	RH7-6037-000		2	SWITCH, INTERLOCK	MSW5,6	
19	FG3-2309-000		1	CABLE, FIXING CROSSMEMBER	J562,702,707-709,716	
19B	VS1-7177-003		1	CONNECTOR, SNAP TIGHT	J716	
19C	VS1-7177-004		1	CONNECTOR, SNAP TIGHT	J562	
19D	VS1-7177-005		1	CONNECTOR, SNAP TIGHT	J708	
19E	VS1-6318-013		1	CONNECTOR, SNAP TIGHT	J702	
20	FG3-2310-000		1	CABLE, FIXING DRAWER	J95,96,800,802	
20A	VS1-6318-011		1	CONNECTOR, SNAP TIGHT	J800	
21	FG3-2352-000		1	CABLE, SCANNER, YELLOW	J114,608	
22	FG3-2353-000		1	CABLE, SCANNER, MAGENTA	J116,612	
23	FG3-2354-000		1	CABLE, SCANNER, CYAN	J118,616	
24	FG3-2364-000		1	CABLE, SCANNER, BLACK	J120,620	

FIGURE & KEY NO.	PARTS NUMBER	R A N K	Q'TY	DESCRIPTION	SERIAL NUMBER/ REMARKS	S V C
25	VS1-7173-006		1	CONNECTOR, SNAP TIGHT	J952	
26	FG3-3005-020		1	CABLE, CONTROLLER	J510,511,537,1123	
26C	VS1-6319-036		1	CONNECTOR, SNAP TIGHT	J510	
27	VS1-7173-014		1	CONNECTOR, SNAP TIGHT	J951	
28	VS1-7177-002		3	CONNECTOR, SNAP TIGHT	J537,707	
29	WT2-5565-000		5	CLAMP, CABLE		
501	XB3-6400-800		AR	SCREW,RS,M4X8		
502	XB1-2400-607		AR	SCREW,MACH.,TRUSS HEAD,M4X6		
503	XB2-4231-207		4	SCREW,W/WASHER,M2.3X12		
504	XB2-8400-807		AR	SCREW,W/WASHER,M4X8		
506	XD1-1104-135		AR	SHIM		
507	XD2-1100-242		AR	RING,E		
510	XB4-6260-807		AR	SCREW,TAPPING,PAN HEAD,M2.6X8		
511	XB2-8301-009		AR	SCREW,W/WASHER,M3X10		
	FG3-2300-000		1	CABLE,SCANNER BASE		
	FG6-8996-000		1	FIXING UPPER CROSSMEMBER ASS'Y		

FIGURE 106 INTERNAL COMPONENTS 5

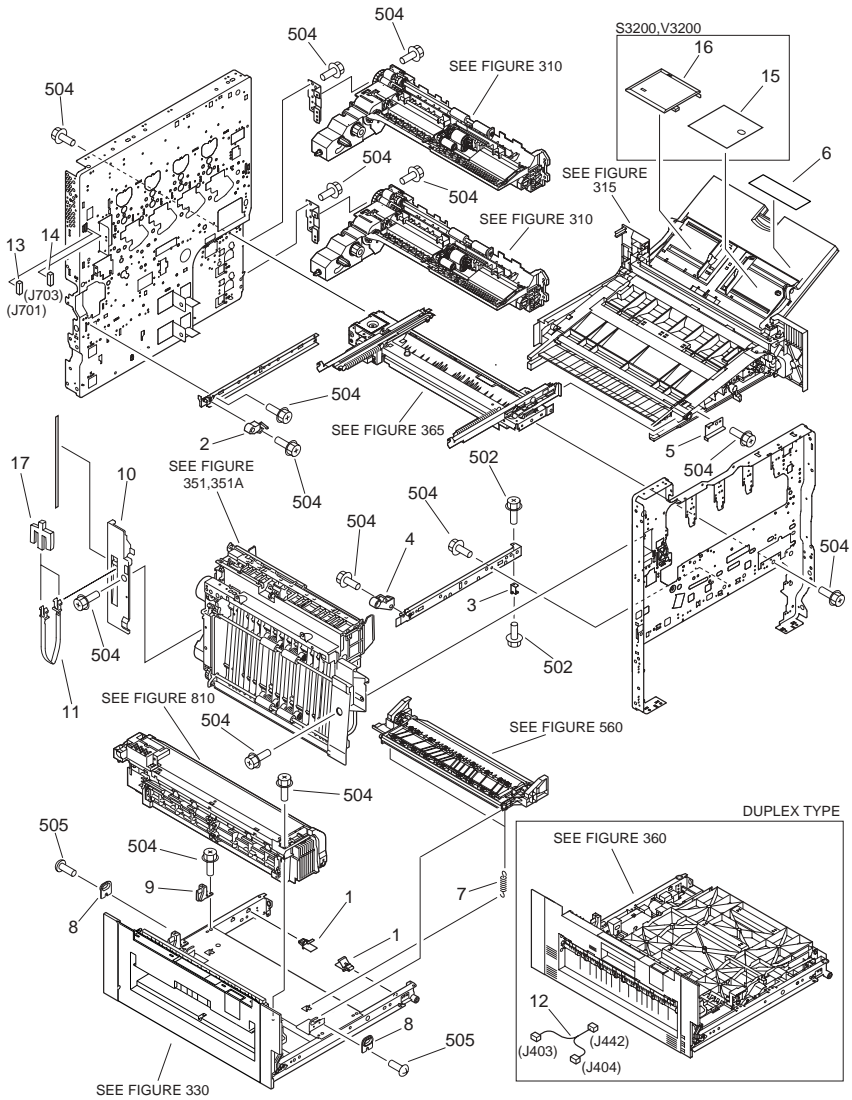


FIGURE & KEY NO.	PARTS NUMBER	R A N K	Q'TY	DESCRIPTION	SERIAL NUMBER/ REMARKS	S V C
Fig.106	NPN		RF	INTERNAL COMPONENTS 5		
1	FB6-3679-000		2	BLOCK, FIXING/FEEDER STOP		
2	FB6-3933-000		1	ARM, CLICK, REAR		
3	FB6-3232-000		1	PLATE, STOP		
4	FB6-3932-000		1	ARM, CLICK, FRONT		
5	FB6-3316-000		1	PLATE, REGISTRATION STOP		
6	FB6-3526-000		1	LABEL, SIZE, MANUAL FEED	JPNEXCEPT S3200,V3200	
6	FB6-3527-000		1	LABEL, SIZE, MANUAL FEED	US	
6	FB6-3528-000		1	LABEL, SIZE, MANUAL FEED	EURO	
6	FB6-3529-000		1	LABEL, SIZE, MANUAL FEED	GENE	
6	FB6-4867-000		1	LABEL, SIZE, MANUAL FEED	JPNS3200,V3200	
7	FS7-2847-000		2	SPRING, TENSION		
8	FB6-3689-000		2	BUSHING, SLIDE SHAFT		
9	FB6-3693-000		1	BRACKET, FIXING		
10	FF6-2141-000		1	PANEL, DELIVERY, INTERNAL		
11	RB1-6484-000		1	STOPPER, OPEN/CLOSE		
12	FG3-2299-000		1	CABLE, DUPLEXING CONNECT	DUPLEX TYPEJ403,404,442	
13	VS1-6318-009		1	CONNECTOR, SNAP TIGHT	J701	
14	VS1-7173-012		1	CONNECTOR, SNAP TIGHT	J703	
15	FB6-4868-000		1	LABEL, POSTCARD SET	S3200,V3200	
16	FB6-4869-000		1	GUIDE, SIZE FIXING	S3200,V3200	
17	FB6-3887-000		2	CLIP	DUPLEX TYPE	
502	XB3-6300-805		AR	SCREW,RS,M3X8		
504	XB3-6400-800		AR	SCREW,RS,M4X8		
505	XA9-1401-000		2	SCREW,P,M3X10	DUPLEX TYPE	
505	XB3-6300-805		AR	SCREW,RS,M3X8	PLAIN TYPE	
	FB6-3409-000		1	BRACKET	PLAIN TYPE	

FIGURE & KEY NO.	PARTS NUMBER	RANK	Q'TY	DESCRIPTION	SERIAL NUMBER/REMARKS	SVC
Fig.107	NPN		RF	MACHINE REAR PLATE 1		
1	FB6-3440-000		1	HANDLE, REAR		
2	FG6-8956-000		1	DUCT, ELECTRICAL EXHAUST		
2A	FB6-3169-000		1	DUCT, EXHAUST, SMALL		
3	FG3-2345-000		1	MEMORY PCB ASSEMBLY		
4	FK2-0149-000		1	PHOTO-INTERRUPTER	PS28 J768	
5	FG3-2383-020		1	CABLE, REGIST. MULTI SENSOR	J720,768	
5A	VS1-7177-004		1	CONNECTOR, SNAP TIGHT	J720	
6	FG6-9015-000		1	DOUBLE SWITCH PCB ASSEMBLY		
7	FH7-6357-020		1	SWITCH, MAIN	SW1	
8	FG3-2366-000		1	CABLE, MAIN SWITCH	J10	
9	XA9-1030-000		AR	SCREW, RS, M4X12		
501	XB2-4300-607		AR	SCREW,W/WASHER,M3X6		
502	XB3-6300-805		AR	SCREW,RS,M3X8		
503	XB1-2400-607		AR	SCREW,MACH.,TRUSS HEAD,M4X6		
504	XB3-6400-800		AR	SCREW,RS,M4X8		

FIGURE & KEY NO.	PARTS NUMBER	RANK	Q'TY	DESCRIPTION	SERIAL NUMBER/REMARKS	SVC
Fig.108	NPN		RF	MACHINE REAR PLATE 2		
1	FB6-3109-000		1	SUPPORT, LOWER PANEL		
2	FF6-2100-000		1	SUPPORT, RAIL ROTATING		
3	FG6-8946-000		1	CABLE, TRANSFER H.V. TERMINAL	J83	
4	FH2-6552-000		1	COVER, CONNECTOR		
5	FB6-3137-000		1	BLOCK, DISPATCHING		
6	FB6-3138-000		1	PLATE, HV CONTACT, 1		
7	FB6-3156-000		1	PLATE, GROUNDING, 1		
8	FH2-7114-010		1	CABLE, SECONDARY TRANSFER HV		
9	FG3-2350-000		1	CABLE, READER LATTICE	J561,565	
10	FG3-2351-020		1	CABLE, C. PEDESTAL LATTICE	J558,950,962,963	
10A	VS1-7507-002		1	CONNECTOR, SNAP TIGHT	J558	
10B	VS1-7507-007		1	CONNECTOR, SNAP TIGHT	J962	
10C	VS1-7507-008		1	CONNECTOR, SNAP TIGHT	J963	
11	FG6-9665-000		1	DUPLEXING DRIVER PCB ASSEMBLY	DUPLEX TYPE	
12	XA9-0782-000		1	SCREW, M4X8		
13	FH2-5824-000		1	COVER, CONNECTOR, 1	PRINTER TYPE	
14	FG3-2390-000		1	CABLE, DC CONTROLLER MOUNT	J111,769	
501	XB3-6400-800		AR	SCREW,RS,M4X8		
502	XB2-8300-607		AR	SCREW,W/WASHER,M3X6		
503	XB1-2300-807		AR	SCREW,MACH.,TRUSS HEAD,M3X8		
504	XB1-2400-607		AR	SCREW,MACH.,TRUSS HEAD,M4X6		
505	XD1-3100-407		AR	WASHER,SPRING		
506	XB2-8300-807		AR	SCREW,W/WASHER,M3X8		
	FB6-3084-000		1	PLATE		

FIGURE 120 DOOR SWITCH ASSEMBLY

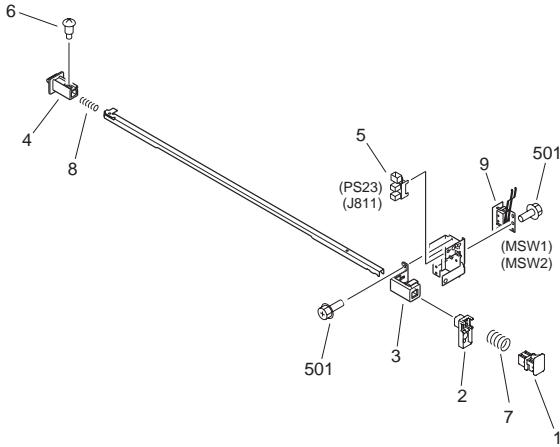


FIGURE & KEY NO.	PARTS NUMBER	RANK	Q'TY	DESCRIPTION	SERIAL NUMBER/REMARKS	SVC
Fig.120	FG6-9013-000		1	DOOR SWITCH ASSEMBLY		
1	FB4-3064-000		1	BLOCK, SHAFT PRESSURE		
2	FB4-3066-000		1	HOLDER, DOOR SWITCH, FRONT		
3	FB6-3216-000		1	HOLDER, DOOR SWITCH SHAFT		
4	FB6-3218-000		1	BLOCK, SWITCH PUSH		
5	FK2-0149-000		1	PHOTO-INTERRUPTER	PS23 J811	
6	FS1-9010-020		1	SCREW, STEPPED, M3X2.2		
7	FS6-2785-000		1	SPRING, COMPRESSION		
8	FS7-2854-000		1	SPRING, COMPRESSION		
9	FG6-9015-000		1	DOUBLE SWITCH PCB ASSEMBLY	MSW1,2	
501	XB3-6300-805		AR	SCREW, RS, M3X8		

FIGURE 125 VERTICAL PATH PANEL ASSEMBLY (OLD)

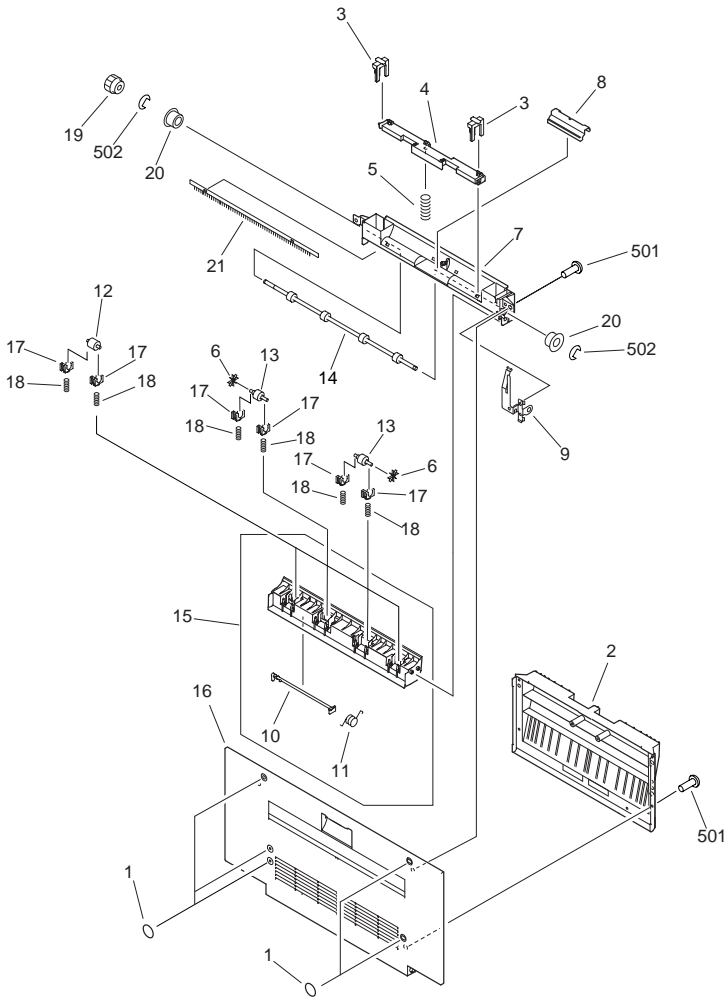


FIGURE & KEY NO.	PARTS NUMBER	R A N K	Q'TY	DESCRIPTION	SERIAL NUMBER/ REMARKS	S V C
Fig.125	FG6-9052-000		1	VERTICAL PATH PANEL ASSEMBLY	OLD	
1	FC5-0166-000		5	SEAL, BLANKING		
2	FB6-3557-000		1	GUIDE, VERTICAL PATH RIB		
3	FB6-3866-000		2	PIN, LATCH		
4	FB6-3867-000		1	LEVER, COVER		
5	RB1-6486-000		1	SPRING, COMPRESSION		
6	FB6-6645-000		2	FIN, DELIVERY		
7	FB6-3547-000		1	GUIDE, VERTICAL PATH DELIVERY		
8	FB6-4919-000		1	GUIDE, SPACER		
9	FB6-3551-020		1	PLATE, GROUNDING		
10	FB6-3552-000		1	FLAG, V. PATH DELIVERY SENSOR		
11	FB6-3553-000		1	SPRING, TORSION		
12	FB6-3554-000		2	ROLLER, DELIVERY, 1		
13	FB6-3555-000		2	ROLLER, DELIVERY, 2		
14	FB6-3876-000		1	ROLLER, VERTICAL PATH DELIVERY		
15	FM1-0420-000		1	GUIDE UNIT,V.PATH DELIV.LOWER		
16	FB6-3546-000		1	PANEL, VERTICAL PATH		
17	FS6-1059-000		8	BUSHING		
18	FS7-2834-000		8	SPRING, COMPRESSION		
19	FU3-0325-000		1	GEAR, 17T		
20	RS5-1101-000		2	BUSHING, CONDUCTIVE		
21	RB1-6666-000		1	ELIMINATOR, STATIC CHARGE		
501	XB4-5300-807		AR	SCREW,P,M3X8		
502	XD2-1100-502		AR	RING,E		

FIGURE 125A VERTICAL PATH PANEL ASSEMBLY (NEW)

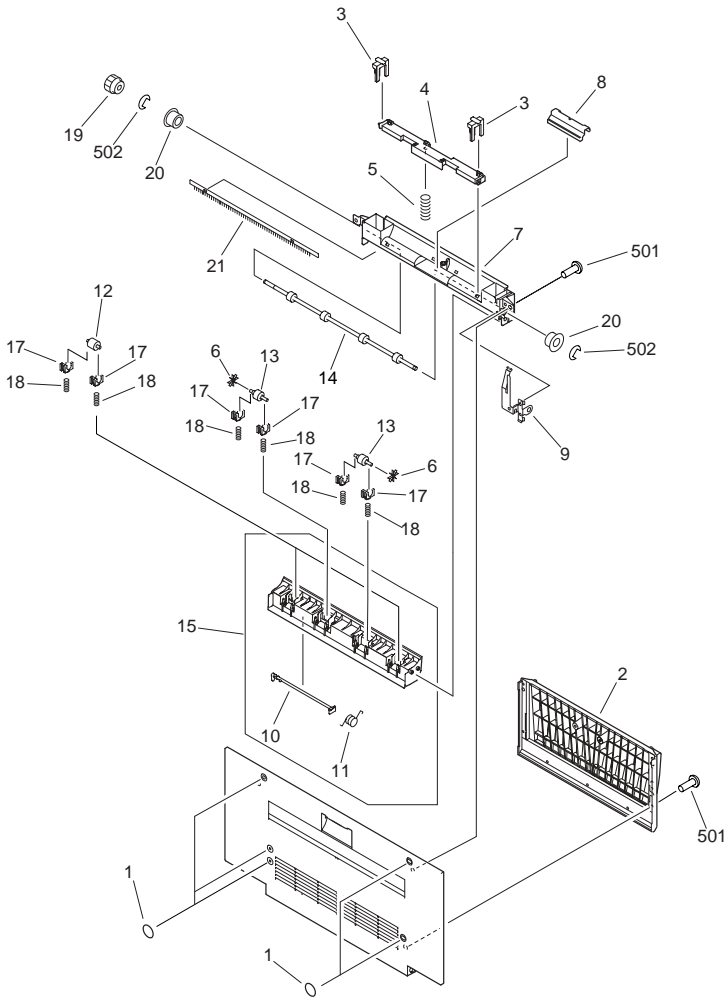


FIGURE & KEY NO.	PARTS NUMBER	R A N K	Q'TY	DESCRIPTION	SERIAL NUMBER/ REMARKS	S V C
Fig.125A	FG6-9655-000		1	VERTICAL PATH PANEL ASSEMBLY	NEW	
1	FC5-0166-000		5	SEAL, BLANKING		
2	FB6-5793-000		1	GUIDE, VERTICAL PATH RIB		
3	FB6-3866-000		2	PIN, LATCH		
4	FB6-3867-000		1	LEVER, COVER		
5	RB1-6486-000		1	SPRING, COMPRESSION		
6	FB6-6645-000		2	FIN, DELIVERY		
7	FB6-3547-000		1	GUIDE, VERTICAL PATH DELIVERY		
8	FB6-4919-000		1	GUIDE, SPACER		
9	FB6-3551-020		1	PLATE, GROUNDING		
10	FB6-3552-000		1	FLAG, V. PATH DELIVERY SENSOR		
11	FB6-3553-000		1	SPRING, TORSION		
12	FB6-3554-000		2	ROLLER, DELIVERY, 1		
13	FB6-3555-000		2	ROLLER, DELIVERY, 2		
14	FB6-3876-000		1	ROLLER, VERTICAL PATH DELIVERY		
15	FM1-0421-000		1	GUIDE UNIT,V.PATH DELIV.LOWER		
17	FS6-1059-000		8	BUSHING		
18	FS7-2834-000		8	SPRING, COMPRESSION		
19	FU3-0325-000		1	GEAR, 17T		
20	RS5-1101-000		2	BUSHING, CONDUCTIVE		
21	RB1-6666-000		1	ELIMINATOR, STATIC CHARGE		
501	XB4-5300-807		AR	SCREW,P,M3X8		
502	XD2-1100-502		AR	RING,E		

FIGURE 130 CONTROL PANEL ASSEMBLY

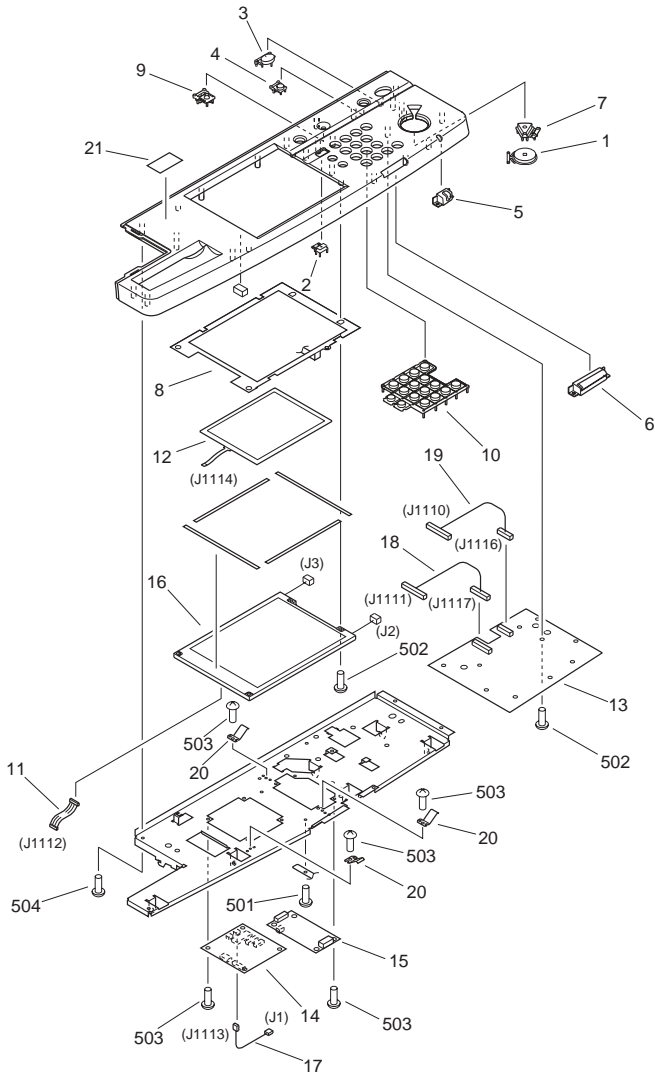


FIGURE & KEY NO.	PARTS NUMBER	R A N K	Q'TY	DESCRIPTION	SERIAL NUMBER/ REMARKS	S V C
Fig.130	FG6-8941-030		1	CONTROL PANEL ASSEMBLY	JPN	
Fig.130	FG6-8933-030		1	CONTROL PANEL ASSEMBLY	USA	
Fig.130	FG6-8934-030		1	CONTROL PANEL ASSEMBLY	MSN,SSX,QLZ,SLZ,TLZ,U KF,JCK,JBC,JBQ,JCJ,JAF	
Fig.130	FG6-8935-030		1	CONTROL PANEL ASSEMBLY	SSY,RLZ,RQZ,JCL,RQY	
1	FB5-2172-000		1	KEY TOP, START		
2	FB5-3698-010		1	KEY TOP, RESET		
3	FB5-3699-000		1	KEY TOP, POWER SUPPLY		
4	FB5-3728-000		1	KEY TOP, ENERGY SAVE		
5	FB6-3944-000		1	WINDOW, LAMP		
6	FB6-3945-000		1	WINDOW, LAMP		
7	FB6-3946-000		1	KEY TOP, STOP		
8	FB6-3947-000		1	SHEET, ELECTROSTATIC		
9	FB6-3951-000		1	KEY TOP, COUNTER		
10	FB6-3949-000		1	KEY TOP, NUMBERS		
11	FH2-7037-000		1	CABLE, FLAT	J1112	
12	FK2-0246-000		1	ANALOG TOUCH PANEL UNIT	J1114	
13	FG3-2357-000		1	CONTROL PANEL KEY PCB ASSEMBLY		
14	FG6-8938-000		1	CONTROL PANEL CPU PCB ASSEMBLY		
15	FG6-8939-000		1	C. PANEL INVERTER PCB ASSEMBLY		
16	FG6-8936-000		1	LCD CONTROL PANEL UNIT	J2,3	
17	FG6-9164-000		1	CABLE, C. PANEL INVERTER	J1,1113	
18	FG6-9165-000		1	CABLE, C. PANEL KEY, A	J1111,1117	
19	FG6-9166-000		1	CABLE, C. PANEL KEY, B	J1110,1116	
20	FB6-3953-000		3	PLATE, GROUNDING		
21	FB6-6213-000		1	LABEL, PAPER SET CAUTION		
501	XB2-8300-607		AR	SCREW,W/WASHER,M3X6		
502	XB4-5300-807		AR	SCREW,P,M3X8		
503	XB1-2300-607		AR	SCREW,MACH.,TRUSS HEAD,M3X6		
504	XB4-5301-007		AR	SCREW,P,M3X10		

FIGURE 190 FIXING EXHAUST FAN ASSEMBLY

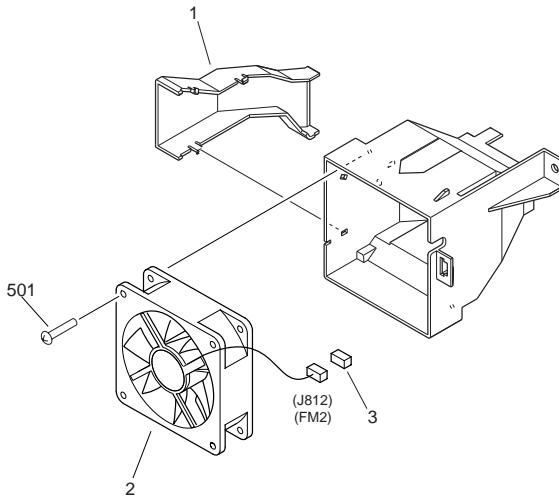


FIGURE & KEY NO.	PARTS NUMBER	R A N K	Q'TY	DESCRIPTION	SERIAL NUMBER/REMARKS	S V C
Fig.190	FG6-8968-000		1	FIXING EXHAUST FAN ASSEMBLY		
1	FB6-3167-000		1	DUCT, FIXING EXHAUST FAN		
2	FH6-1980-020		1	FAN	FM2 J812	
3	VS1-7177-003		1	CONNECTOR, SNAP TIGHT	J812	
501	XB4-5403-507		AR	SCREW,P,M4X35		

FIGURE 191 CLEANING COOLING FAN ASSEMBLY

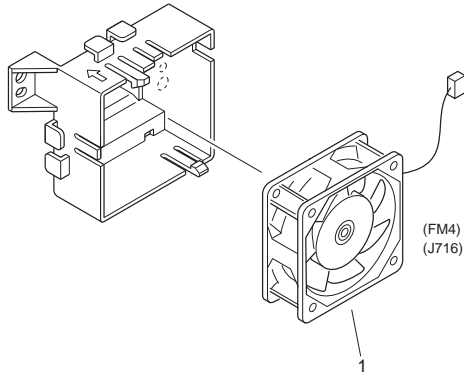


FIGURE & KEY NO.	PARTS NUMBER	RANK	Q'TY	DESCRIPTION	SERIAL NUMBER/REMARKS	SVC
Fig.191	FG6-8995-000		1	CLEANING COOLING FAN ASSEMBLY		
1	FH6-1981-020		1	FAN	FM4 J716	

FIGURE 192 MACHINE EXHAUST FAN ASSEMBLY

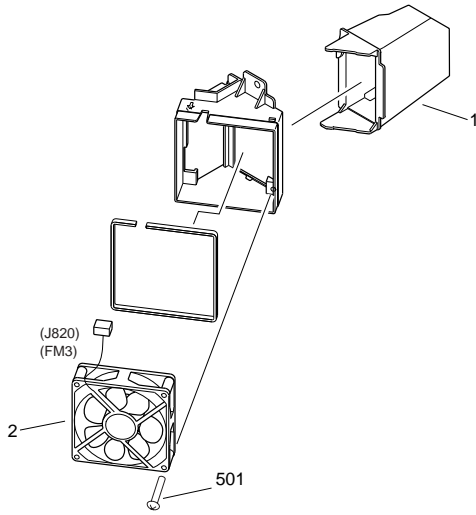
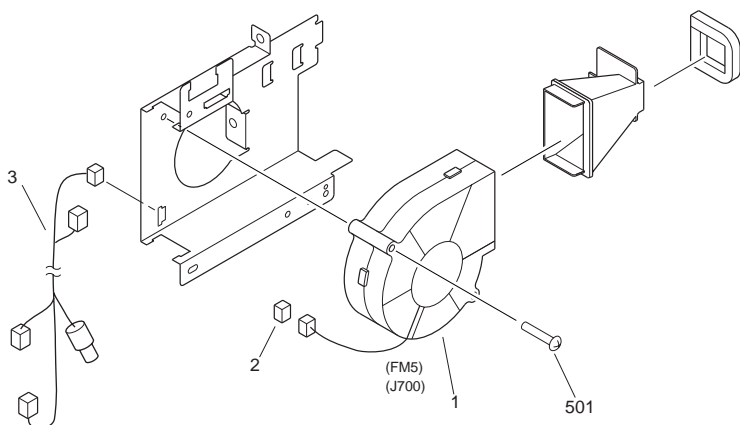


FIGURE & KEY NO.	PARTS NUMBER	R A N K	Q'TY	DESCRIPTION	SERIAL NUMBER/REMARKS	S V C
Fig.192	FG6-9008-000		1	MACHINE EXHAUST FAN ASSEMBLY		
1	FB6-3797-000		1	DUCT, JOINT		
2	FH6-1979-030		1	FAN	FM3 J820	
501	XB4-5403-007		AR	SCREW, P M4X30		

FIGURE 193 DELIVERY COOLING FAN ASSEMBLY



NOTE : This assembly does not include the part shown with key No.3
 注 : このユニットにKey No. 3の部品は含まれません。

FIGURE & KEY NO.	PARTS NUMBER	RANK	QTY	DESCRIPTION	SERIAL NUMBER/REMARKS	SVC
Fig.193	FG6-9065-000		1	DELIVERY COOLING FAN ASSEMBLY		
1	FH6-1982-000		1	FAN	FM5 J700	
2	VS1-7177-003		1	CONNECTOR, SNAP TIGHT	J700	
3	FG3-3973-000		1	CABLE, DELIVERY COOLING FAN	SEE NOTE	
501	XB1-2404-007		AR	SCREW,MACH.,TRUSS HEAD,M4X40		

FIGURE 194
MULTI FAN ASSEMBLY (DUPLEX TYPE)

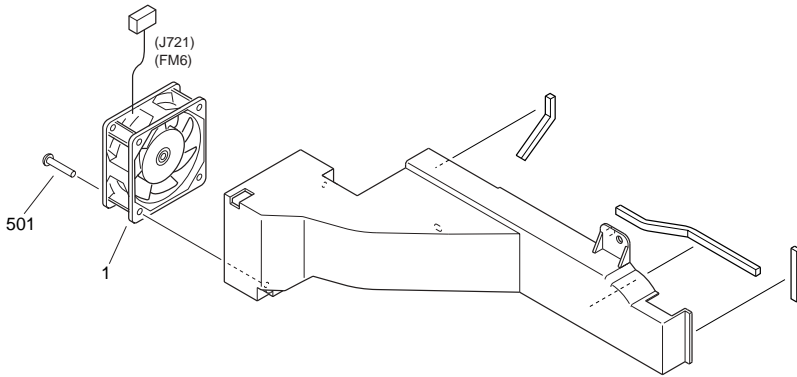


FIGURE & KEY NO.	PARTS NUMBER	R A N K	Q'TY	DESCRIPTION	SERIAL NUMBER/ REMARKS	S V C
Fig.194	FG6-9016-000		1	MULTI FAN ASSEMBLY	DUPLEX TYPE	
1	FH6-1579-020		1	FAN	FM6 J721	
501	XB4-5403-507		AR	SCREW,P,M4X35		

FIGURE 251 DRUM DRIVE ASSEMBLY

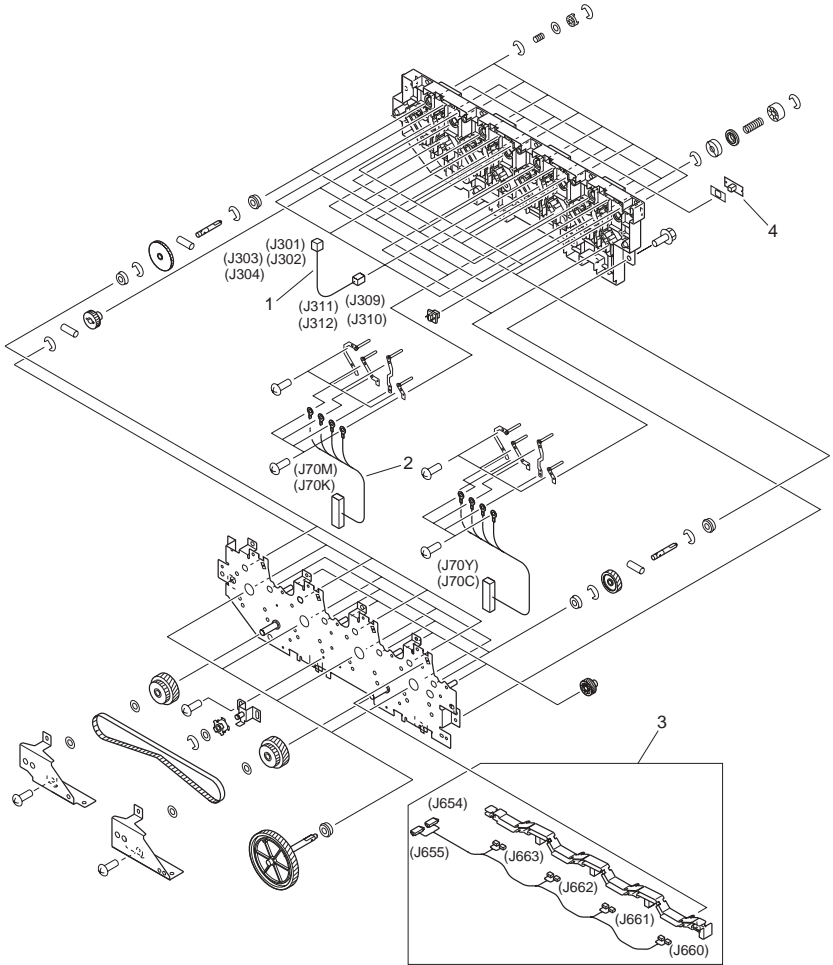


FIGURE & KEY NO.	PARTS NUMBER	R A N K	Q'TY	DESCRIPTION	SERIAL NUMBER/ REMARKS	S V C
Fig.251	FG6-8964-000		1	DRUM DRIVE ASSEMBLY		
1	FG3-2372-020		4	CABLE, CONNECTING	J301-304,309-312	
2	FG3-2392-000		2	CABLE, HIGH VOLTAGE	J70M,K	
3	FG6-8981-000		1	CABLE, ATR	J654,655,660-663	
4	RG5-5469-000		4	CONNECTING PCB ASSEMBLY		

FIGURE 260 PICK-UP MOTOR DRIVE ASSEMBLY

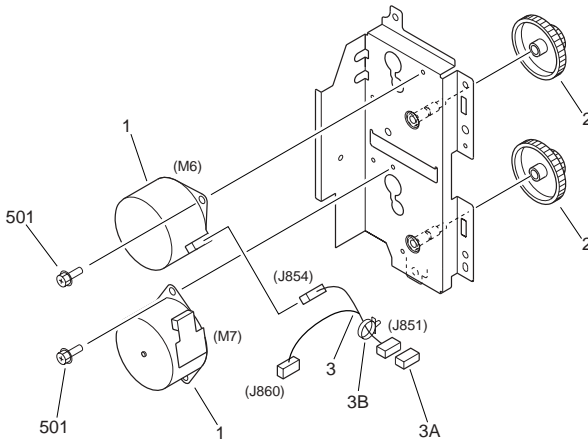


FIGURE & KEY NO.	PARTS NUMBER	RANK	Q'TY	DESCRIPTION	SERIAL NUMBER/REMARKS	SVC
Fig.260	FG6-9025-000		1	PICK-UP MOTOR DRIVE ASSEMBLY		
1	FK2-0155-000		2	MOTOR, STEPPING	M6,7 J854,860	
2	FU3-0285-000		2	GEAR, 80T/16T		
3	FG3-2380-020		1	CABLE, PAPER PICK-UP DRIVE	J851,854,860	
3A	VS1-7177-008		1	CONNECTOR, SNAP TIGHT	J851	
3B	WT2-5565-000		1	CLAMP, CABLE		
501	XB3-6300-600		AR	SCREW,RS,M3X6		

FIGURE 270 DEVELOPING DRIVE ASSEMBLY

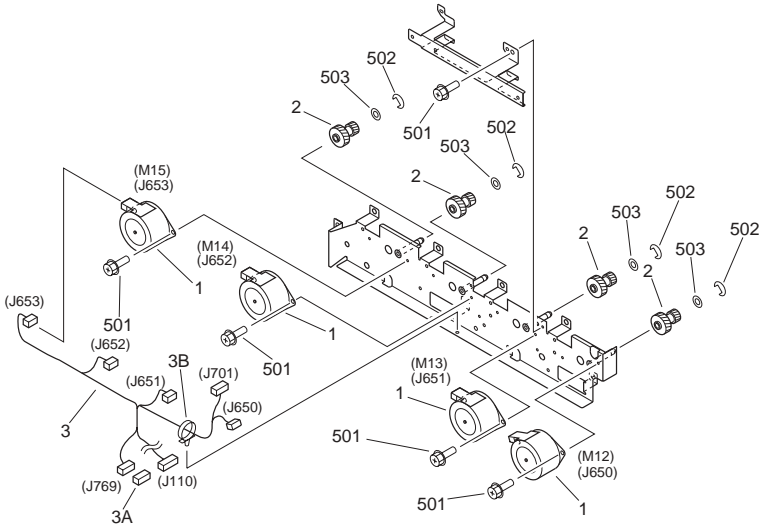


FIGURE & KEY NO.	PARTS NUMBER	R A N K	Q'TY	DESCRIPTION	SERIAL NUMBER/REMARKS	S V C
Fig.270	FG6-8966-030		1	DEVELOPING DRIVE ASSEMBLY		
1	FH6-1973-020		4	MOTOR, STEPPING	M12-15J650-653	
2	FU3-0337-000		4	GEAR, 42T/27T		
3	FG3-2326-010		1	CABLE, DEVELOPING DRIVE	J110,650-653,701,769	
3A	VS1-7173-008		1	CONNECTOR, SNAP TIGHT	J769	
3B	WT2-5565-000		1	CLAMP, CABLE		
501	XB3-6300-805		AR	SCREW,RS,M3X8		
502	XD2-1100-502		AR	RING,E		
503	XD1-1106-212		AR	SHIM		

FIGURE 271 INTERMEDIATE TRANSFER BELT DRIVE ASSEMBLY

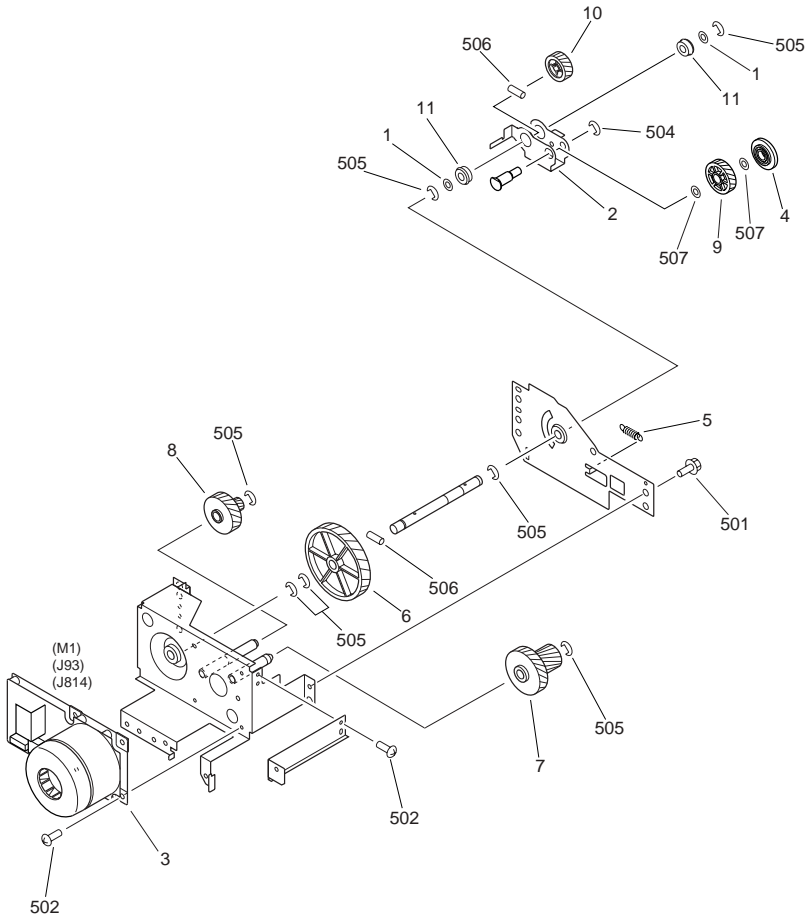


FIGURE & KEY NO.	PARTS NUMBER	R A N K	Q'TY	DESCRIPTION	SERIAL NUMBER/ REMARKS	S V C
Fig.271	FG6-9663-030		1	ITB DRIVE ASSEMBLY		
1	FB2-6285-020		2	SHIM		
2	FM3-3775-000		1	SWING PLATE UNIT		
3	FH5-1051-020		1	MOTOR, DC BRUSHLESS	M1 J93,814	
4	FM3-3775-000		1	SWING PLATE UNIT		
5	FS7-2838-000		1	SPRING, TENSION		
6	FU3-0332-000		1	GEAR, 100T		
7	FU3-0333-000		1	GEAR, 30T/60T		
8	FU3-0334-000		1	GEAR, 20T/50T		
9	FM3-3775-000		1	SWING PLATE UNIT		
10	FU7-0403-000		1	GEAR, 42T		
11	XG9-0264-000		2	BEARING, BALL		
501	XB3-6400-800		AR	SCREW,RS,M4X8		
502	XB6-7300-607		AR	SCREW,TP,M3X6		
504	FM3-3775-000		1	SWING PLATE UNIT		
505	XD2-1100-642		AR	RING,E		
506	XD3-2200-182		AR	PIN,DOWEL		
507	FM3-3775-000		1	SWING PLATE UNIT		

FIGURE 272 TONER CARTRIDGE DRIVE ASSEMBLY

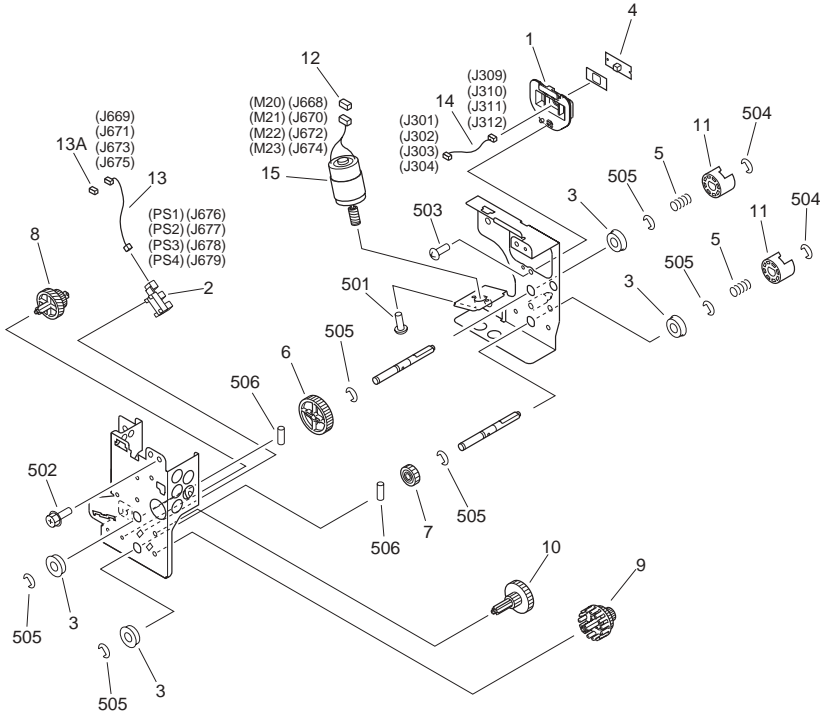


FIGURE & KEY NO.	PARTS NUMBER	RANK	Q'TY	DESCRIPTION	SERIAL NUMBER/REMARKS	SVC
Fig.272	FG6-8999-000		4	TONER CARTRIDGE DRIVE ASSEMBLY		
1	FB6-3163-000		1	MOUNT, ANTENNA		
2	FK2-0149-000		1	PHOTO-INTERRUPTER	PS1-4J676-679	
3	FS5-1581-000		4	BUSHING		
4	RG5-5469-000		1	CONNECTING PCB ASSEMBLY		
5	FS7-2825-000		2	SPRING, COMPRESSION		
6	FU3-0302-000		1	GEAR, 58T		
7	FU3-0303-000		1	GEAR, 30T		
8	FU3-0304-000		1	GEAR, 28T/53T		
9	FU3-0305-000		1	GEAR, 19T/38T		
10	FU3-0306-000		1	GEAR, 19T/49T		
11	RB2-7043-000		2	COUPLING		
12	VS1-7177-002		1	CONNECTOR, SNAP TIGHT	J668,670,672,674	
13	FG3-2344-020		1	CABLE, TONER CARTRIDGE	J669,671,673,675J676-679	
13A	VS1-7177-003		1	CONNECTOR, SNAP TIGHT	J669,671,673,675	
14	FG3-2372-020		1	CABLE, CONNECTING	J301-304J309-312	
15	FG6-9004-000		1	MOTOR, DC BRUSH	M20-23J668,670,672,674	
501	XB1-2260-407		AR	SCREW BH 2.6X4		
502	XB3-6300-805		AR	SCREW,RS,M3X8		
503	XB4-5300-807		AR	SCREW,P,M3X8		
504	XD2-1100-322		AR	RING,E		
505	XD2-1100-502		AR	RING,E		
506	XD3-2200-142		AR	PIN,DOWEL		

FIGURE 280 FIXING DRIVE ASSEMBLY

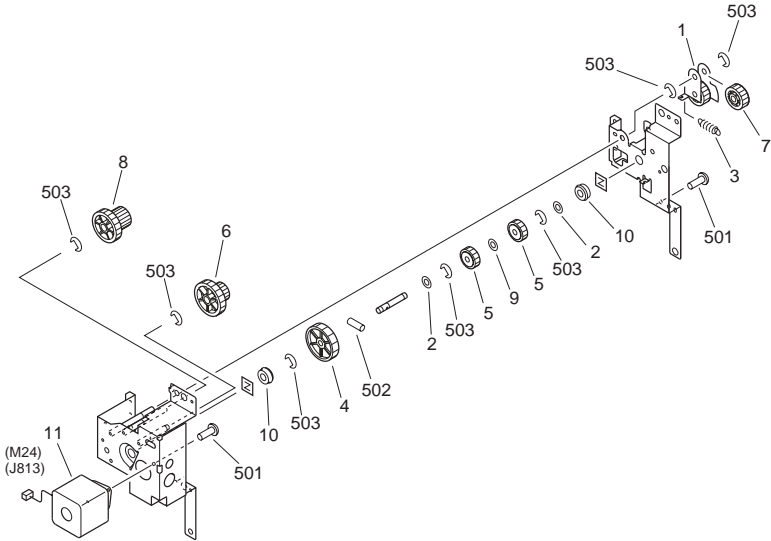
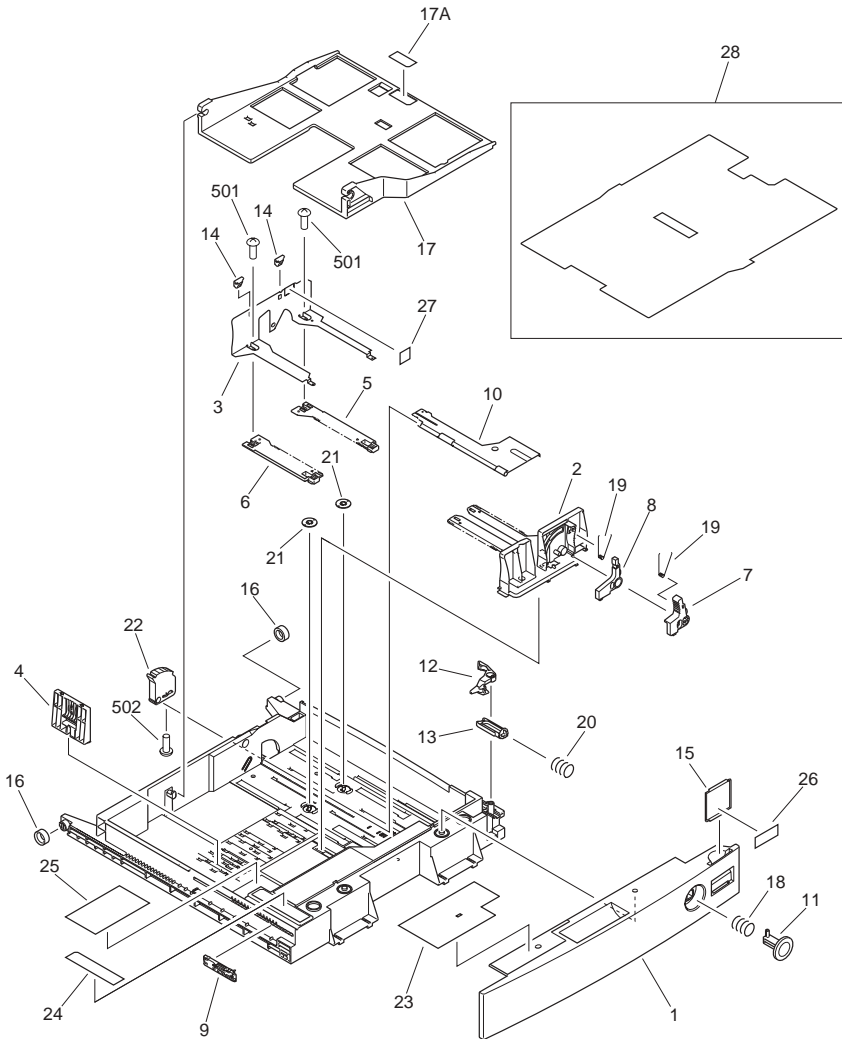


FIGURE & KEY NO.	PARTS NUMBER	RANK	QTY	DESCRIPTION	SERIAL NUMBER/REMARKS	SVC
Fig.280	FG6-9011-040		1	FIXING DRIVE ASSEMBLY		
1	FF6-2044-000		1	ARM, FIXING SWING		
2	FS5-6488-000		2	WASHER		
3	FS7-2835-000		1	SPRING, TENSION		
4	FU3-0338-000		1	GEAR, 72T		
5	FU3-0339-000		2	GEAR, 20T		
6	FU3-0340-000		1	GEAR, 36T/18T		
7	FU3-0341-000		1	GEAR, 23T		
8	FU3-0342-000		1	GEAR, 33T/20T		
9	FB6-3237-000		1	WASHER		
10	XG9-0532-000		2	BEARING, BALL		
11	FG6-9079-010		1	MOTOR, STEPPING	M24 J813	
501	XB6-7300-607		AR	SCREW,TP,M3X6		
502	XD3-2200-162		AR	PIN,DOWEL		
503	XD2-1100-502		AR	RING,E		

FIGURE 300 CASSETTE



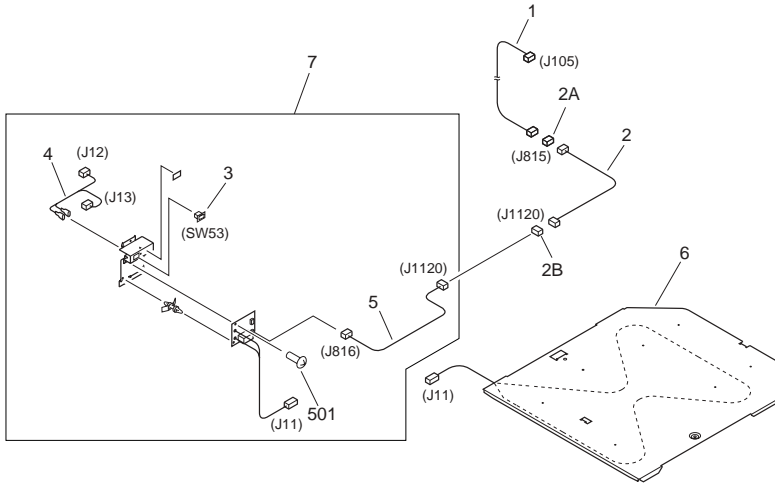
NOTE : This assembly does not include the parts shown with key No. 26 and 28.

注 : このユニットにKey No. 26, 28の部品は含まれません。

FIGURE & KEY NO.	PARTS NUMBER	R A N K	Q'TY	DESCRIPTION	SERIAL NUMBER/ REMARKS	S V C
Fig.300	FG6-9044-000		2	CASSETTE	EXCEPT RQY,RQZ	
Fig.300	FM1-0350-000		2	CASSETTE	RQY,RQZ	
1	FB6-3475-000		1	PANEL, CASSETTE, FRONT		
2	FB6-3478-000		1	PLATE, SIDE GUIDE, FRONT		
3	FB6-3479-000		1	PLATE, SIDE GUIDE, REAR		
4	FB6-3480-000		1	PLATE, END GUIDE		
5	FB6-3481-000		1	RACK, 1		
6	FB6-3482-000		1	RACK, 2		
7	FB6-3483-000		1	KNOB, SIDE GUIDE PLATE, 1		
8	FB6-3484-000		1	KNOB, SIDE GUIDE PLATE, 2		
9	FB6-3485-000		1	COVER, PAPER SIZE SELECT		
10	FB6-3486-000		1	PLATE, LIFTER		
11	FB6-3487-000		1	BUTTON, PUSH		
12	FB6-3488-000		1	ARM, LOCK		
13	FB6-3489-000		1	LINK, RELEASE		
14	FB6-3490-000		2	CLAW, SIDE PLATE GUIDE		
15	FB6-3491-000		1	PLATE, CASSETTE PAPER SIZE		
16	FB6-3506-000		2	COLLAR, CASSETTE SWING		
17	FF6-2064-020		1	PLATE, PAPER LIFTING		
17A	FB6-3499-000		1	SHEET, SEPARATION		
18	FS7-2806-000		1	SPRING, COMPRESSION		
19	FS7-2805-000		2	SPRING, TORSION		
20	FS7-2804-000		1	SPRING, COMPRESSION		
21	FU3-0293-000		2	GEAR, 16T		
22	FU3-0294-000		1	GEAR, 7T		
23	FB6-3522-000		1	LABEL, PAPER SET	EXCEPT RQY,RQZ	
23	FB6-6214-000		1	LABEL, PAPER SET	RQY,RQZ	
24	FB6-3523-000		1	LABEL, CASSETTE SIZE		
25	FB6-3524-000		1	LABEL, PAPER SIZE SELECT	EXCEPT RQY,RQZ	
25	FB6-6215-000		1	LABEL, PAPER SIZE SELECT	RQY,RQZ	
26	FC5-0563-020		2	LABEL, CASSETTE SIZE, PANEL	SEE NOTE	
27	FS6-8116-000		1	LABEL, 'PAPER HEIGHT'		

FIGURE & KEY NO.	PARTS NUMBER	R A N K	Q'TY	DESCRIPTION	SERIAL NUMBER/ REMARKS	S V C
28	FG6-9041-000		1	CASSETTE UNDER SHEET ASSEMBLY	SEE NOTE	
501	XB2-8300-607		AR	SCREW,W/WASHER,M3X6		
502	XB6-7300-807		AR	SCREW,TP,M3X8		

FIGURE 305 CASSETTE HEATER ASSEMBLY (OPTION)



NOTE : These parts are included in the main body.

注：これらの部品は本体に含まれます。

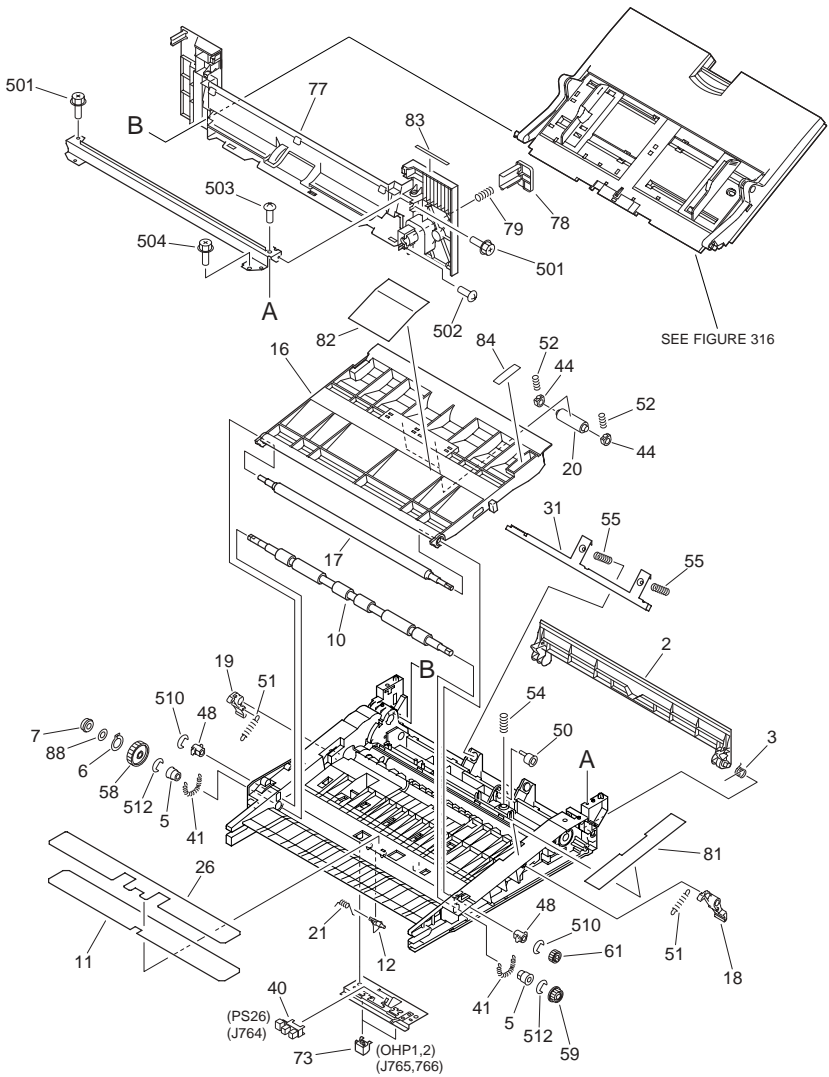
FIGURE & KEY NO.	PARTS NUMBER	R A N K	Q'TY	DESCRIPTION	SERIAL NUMBER/REMARKS	S V C
Fig.305	NPN		RF	CASSETTE HEATER ASSEMBLY	OPTION100/220/240V	
1	FG3-2381-000		1	CABLE, MACHINE CASSETTE HEATER	SEE NOTE100V J105,815	
1	FG3-2393-000		1	CABLE, MACHINE CASSETTE HEATER	SEE NOTE220/240V J105,815	
2	FG3-2395-020		1	CABLE, CASSETTE HEATER RELAY	SEE NOTEJ815,1120	
2A	VS1-7177-002		1	CONNECTOR, SNAP TIGHT	SEE NOTEJ815	
2B	VS1-7177-003		1	CONNECTOR, SNAP TIGHT	SEE NOTEJ1120	
3	WC1-5129-000		1	SWITCH, ROCKER	SW53	
4	FG3-2340-000		1	CABLE, CASSETTE HEATER SWITCH	100VJ12,13	
4	FG3-2341-000		1	CABLE, CASSETTE HEATER SWITCH	220/240VJ12,13	
5	FG3-2342-000		1	CABLE, CASSETTE HEATER CONTROL	J816,1120	
6	FH7-4740-000		1	HEATER, CASSETTE	100V	
6	FH7-4742-000		1	HEATER, CASSETTE	220/240V J11	
7	FG6-9749-000		1	CASSETTE HEATER PCB ASSEMBLY	220/240V	
501	XB1-2400-607		AR	SCREW,MACH.,TRUSS HEAD,M4X6		

FIGURE & KEY NO.	PARTS NUMBER	R A N K	Q'TY	DESCRIPTION	SERIAL NUMBER/ REMARKS	S V C
Fig.310	FM2-8204-000		2	PAPER PICK-UP ASSEMBLY		
1	FB6-3380-020		1	HOLDER, PAPER PICK-UP ROLLER		
2	FB6-3386-010		1	GUIDE, RETARD		
3	FB6-3387-000		1	GUIDE, VERTICAL PATH		
4	FB6-3388-000		1	ROD, SEPARATION ROLLER RELEASE		
5	FB6-3389-000		1	CLAW, PICK-UP		
6	FC8-1178-000		1	CLAW, PAPER PICK-UP		
7	FB6-3391-000		1	GEAR, RATCHET		
8	FB6-3392-020		1	SPRING, LEAF		
9	FM3-4146-000		1	PICK-UP ARM UNIT		
10	FB6-3394-000		1	ARM, LIFTING		
11	FB6-3395-000		1	ARM, PAPER FEED SHAFT		
12	FB6-3396-010		1	LOCK, PICK-UP		
13	FB6-3397-000		1	FLAG, PAPER SENSOR		
14	FB6-3398-000		1	FLAG, PAPER DETECT SENSOR		
15	FL2-6580-000		1	FLAG, REGISTRATION SENSOR		
16	FB6-4852-000		1	ROLLER, VERTICAL PATH		
17	FB6-3410-000		1	LIMITER, TORQUE		
18	FB6-3402-000		1	GEAR, RATCHET		
19	FB6-3403-000		1	COUPLING, FEED SHAFT STOP		
20	FB6-3404-000		1	COUPLING, SEPARATION SHAFT		
21	FB6-3405-000		1	ROLLER, PAPER PICK-UP		
22	FC6-7083-000		1	ROLLER, FEED		
23	FB6-3408-000		1	SHAFT, PAPER PICK-UP DRIVE		
24	FB6-7078-000		1	CAM, LOCK		
25	FF6-2058-000		1	SHAFT, PAPER FEED ROLLER		
26	FF6-2059-010		1	HOLDER, SEPARATION ROLLER		
27	FK2-0408-000		1	SOLENOID	SL3,4 J857,863	
28	FK2-0149-000		4	PHOTO-INTERRUPTER	PS7,14- 20J859,856,855,858J864, 861,865,862	
29	FB6-3413-000		1	COLLAR, PAPER PICK-UP SHAFT		
30	FU5-1033-000		2	BUSHING		

FIGURE & KEY NO.	PARTS NUMBER	R A N K	Q'TY	DESCRIPTION	SERIAL NUMBER/ REMARKS	S V C
31	FC6-9867-000		1	RING, RETAINING		
32	FS6-1063-000		1	BUSHING		
33	FS7-2797-000		1	SPRING, TENSION		
34	FU6-2684-000		1	SPRING, COMPRESSION		
35	FS7-2800-000		3	SPRING, TENSION		
36	FS7-2801-000		1	SPRING, TORSION		
37	FM3-4146-000		1	PICK-UP ARM UNIT		
38	FS7-2803-000		1	SPRING, TORSION		
39	FS7-5909-000		2	SHAFT, IDLER, 2		
40	FS7-5910-000		1	SHAFT, IDLER, 3		
41	FU3-0280-000		1	GEAR, 15T		
42	FU3-0349-000		1	GEAR, 41T		
43	FU3-0282-000		1	GEAR, 21T		
44	FU3-0283-000		1	GEAR, 21T		
45	FU3-0284-000		1	GEAR, 16T		
46	FU6-0710-000		1	GEAR, 16T/16T		
47	FU3-0288-000		1	GEAR, 21T		
48	FU3-0289-000		1	GEAR, 14T		
49	FF6-2397-000		1	GEAR, 46T		
50	FU7-0444-000		1	GEAR, 51T		
51	FU7-0445-000		1	GEAR, 42T		
52	FU3-0350-000		1	GEAR, 41T/41T		
53	FU3-0347-000		1	GEAR, 41T		
54	RB1-6539-000		1	DAMPER		
55	RB1-8945-000		1	JOINT		
56	RS5-1567-000		2	BUSHING		
57	VS1-7173-014		1	CONNECTOR, SNAP TIGHT	J850,852	
58	XA9-0656-000		1	SCREW,RS,M3X10		
59	FG3-2302-020		1	CABLE, PAPER PICK-UP	J850,855-859J852,861-865	
59A	VS1-7177-002		1	CONNECTOR, SNAP TIGHT	J857,863	
60	FS5-1943-000		1	BUSHING		

FIGURE & KEY NO.	PARTS NUMBER	RANK	Q'TY	DESCRIPTION	SERIAL NUMBER/REMARKS	SVC
61	FC6-6661-000		1	ROLLER, SEPARATION		
501	XB3-6300-600		AR	SCREW,RS,M3X6		
502	XB4-5401-207		AR	SCREW,P,M4X12		
503	XD2-1100-502		AR	RING,E		
504	XD3-2200-122		AR	PIN,DOWEL		
505	XB1-3300-607		AR	SCREW,MACH.,C.S.HEAD,M3X6		
	FU6-2784-000		1	SPRING, PICK-UP LOCK		
	FC7-5845-000		1	STOPPER, ROLLER		

FIGURE 315 MULTI FEED ASSEMBLY



NOTE : This assembly includes the assembly shown in Figure 316.

注 : このユニットはFigure 316のユニットを含みます。

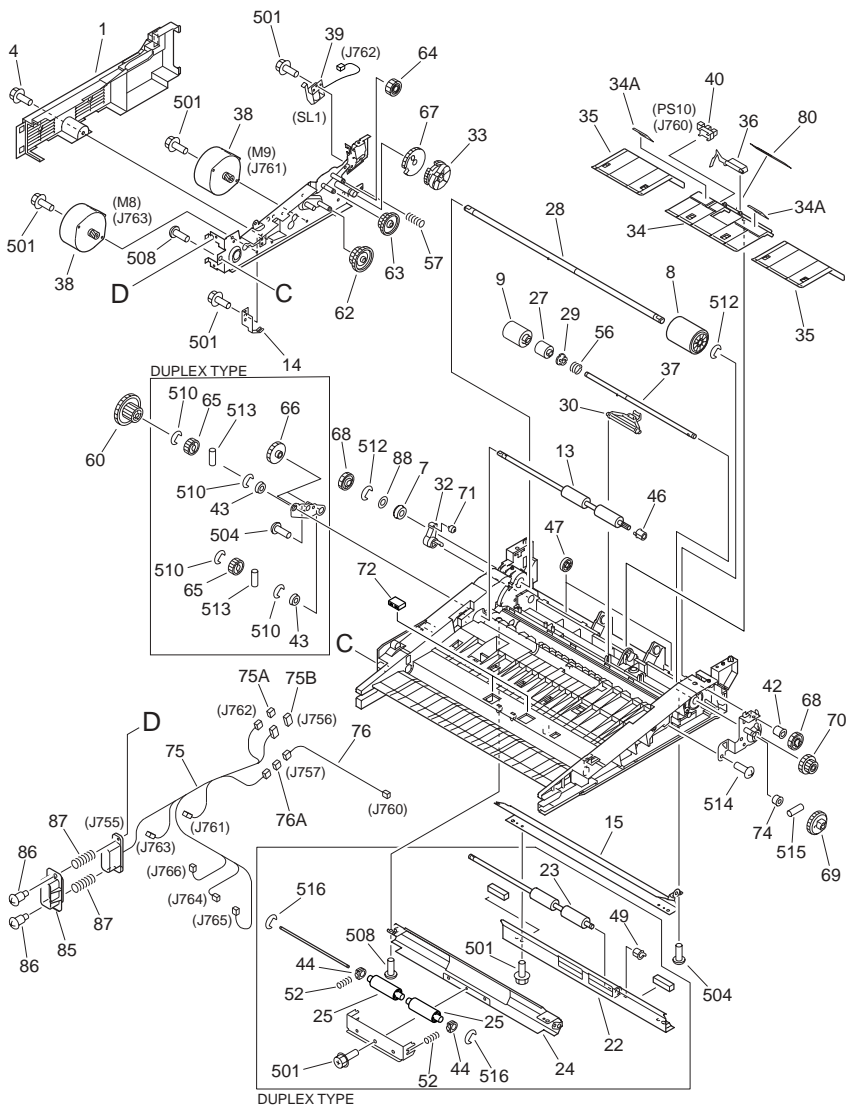


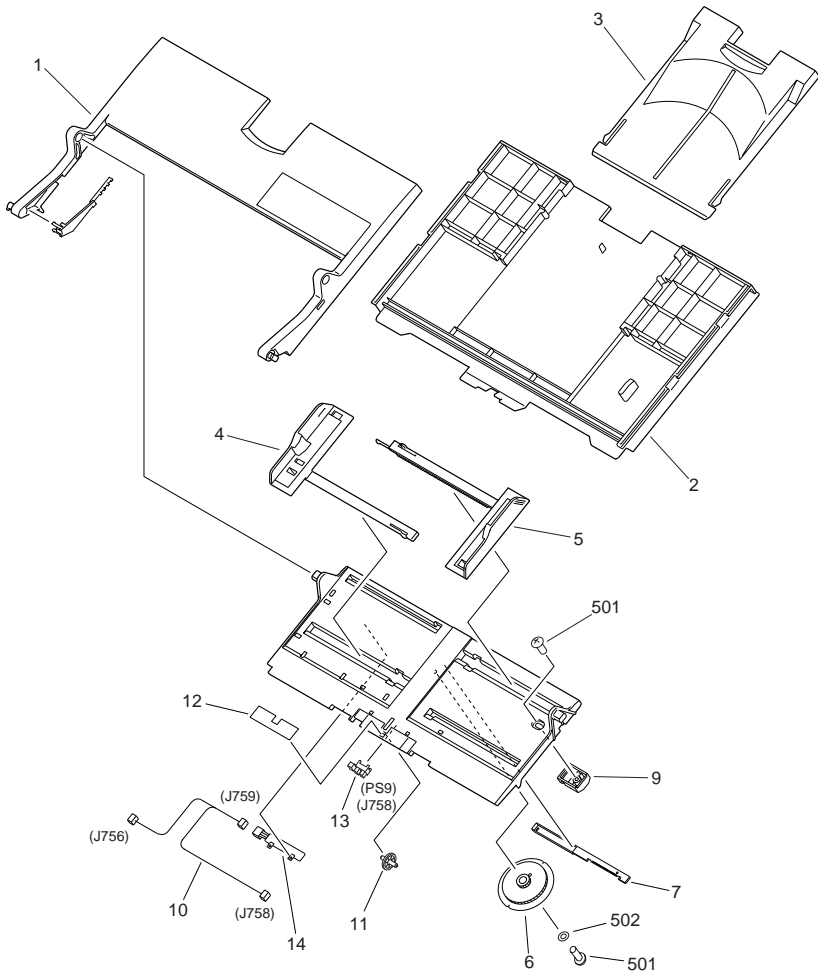
FIGURE & KEY NO.	PARTS NUMBER	R A N K	Q'TY	DESCRIPTION	SERIAL NUMBER/ REMARKS	S V C
Fig.315	FG6-9080-000		1	MULTI FEED ASSEMBLY	PLAIN TYPESEE NOTE	
Fig.315	FG6-9081-000		1	MULTI FEED ASSEMBLY	DUPLEX TYPEEXCEPT RQY,RQZSEE NOTE	
Fig.315	FM1-0354-000		1	MULTI FEED ASSEMBLY	DUPLEX TYPERQY,RQZSEE NOTE	
1	FB6-3314-000		1	DUCT, CORD		
2	FB6-3472-000		1	PANEL, BLANKING		
3	FS7-2811-000		1	SPRING, TORSION		
4	XA9-0721-010		2	SCREW,RS,M4X10		
5	FA1-0056-000		2	BUSHING		
6	FC6-5046-000		1	RING, RETAINING		
7	XG9-0211-000		2	BALL BEARING, MF128ZZ1MC3D4M		
8	FB1-8581-000		1	ROLLER, PAPER PICK-UP		
8	FB1-8581-000		1	ROLLER, PAPER PICK-UP		
9	FB5-0873-000		1	ROLLER, SEPARATION		
10	FB6-6527-000		1	ROLLER, REGISTRATION, LOWER		
11	FB6-3302-000		1	SHEET, REGISTRATION, LOWER		
12	FB6-3303-000		1	FLAG, REGISTRATION SENSOR		
13	FB6-6524-000		1	ROLLER, REGISTRATION, FRONT		
14	FB6-3305-000		1	PLATE, GROUNDING		
15	FC7-0047-000		1	GUIDE, INLET		
16	FB6-3308-000		1	GUIDE, REGISTRATION, UPPER		
17	FB6-3309-000		1	ROLLER, REGISTRATION, UPPER		
18	FB6-3310-000		1	LEVER, PRESSURE, FRONT		
19	FB6-3311-000		1	LEVER, PRESSURE, REAR		
20	FB6-3313-000		2	ROLLER, PAPER FEED		
21	FB6-3315-000		1	SPRING, TORSION		
22	FC7-0048-000		1	GUIDE, DUPLEXING, EXTERNAL	DUPLEX TYPE	
23	FB6-6525-000		1	ROLLER, RE-PICK UP	DUPLEX TYPE	
24	FC7-3374-000		1	GUIDE, DUPLEXING, INTERNAL	DUPLEX TYPE	
25	FB6-4873-000		2	ROLLER, PAPER FEED	DUPLEX TYPE	
26	FB6-3317-000		1	SHEET, REGISTRATION, LOWER		

FIGURE & KEY NO.	PARTS NUMBER	R A N K	Q'TY	DESCRIPTION	SERIAL NUMBER/ REMARKS	S V C
27	FB6-3410-000		1	LIMITER, TORQUE		
28	FF6-2136-000		1	SHAFT, ROLLER		
29	FB6-3463-000		1	CLUTCH		
30	FB6-3464-000		1	HOLDER, SEPARATION ROLLER		
31	FB6-3465-000		1	ARM, LIFTING PLATE PRESSURE		
32	FB6-3466-000		1	CAM, JOINT		
33	FB6-3467-000		1	GEAR, 27T		
34	FF6-2134-000		1	GUIDE, MAIN		
34A	FB6-3878-000		2	SHEET, PUSH-ON		
35	FB6-3470-000		2	GUIDE, SUB		
36	FB6-3471-000		1	FLAG, PAPER SENSOR		
37	FL2-8140-000		1	SHAFT, SEPARATION ROLLER		
38	FH6-1973-020		2	MOTOR, STEPPING	M8,9 J763,761	
39	FK2-0115-000		1	SOLENOID	SL1 J762	
40	FK2-0149-000		2	PHOTO-INTERRUPTER	PS10,26 J760,764	
41	FS2-2783-000		2	SPRING, TENSION		
42	FS5-1209-000		1	BUSHING		
43	FS1-1512-000		2	BUSHING	DUPLEX TYPE	
44	FS5-1595-000		4	BLOCK, ROLLER	PLAIN TYPE	
44	FS5-1595-000		6	BLOCK, ROLLER	DUPLEX TYPE	
46	FC6-9867-000		1	RING, RETAINING		
47	FS5-6945-000		2	COLLAR, REGISTRATION MULTI		
48	FS6-1055-000		2	BUSHING		
49	FS6-1057-000		1	BUSHING	DUPLEX TYPE	
50	FS6-1058-000		1	BUSHING		
51	FS7-2787-000		2	SPRING, TENSION		
52	FS7-2860-000		4	SPRING, COMPRESSION	PLAIN TYPE	
52	FS7-2860-000		6	SPRING, COMPRESSION	DUPLEX TYPE	
54	FU6-2925-000		1	SPRING, COMPRESSION		
55	FU6-2926-000		2	SPRING, COMPRESSION		
56	FC7-5167-000		1	SPRING, TORSION		
57	FU6-2927-000		1	SPRING, COMPRESSION		

FIGURE & KEY NO.	PARTS NUMBER	R A N K	Q'TY	DESCRIPTION	SERIAL NUMBER/ REMARKS	S V C
58	FU3-0270-000		1	GEAR, 63T		
59	FU3-0271-000		1	GEAR, 32T		
60	FU3-0272-000		1	GEAR, 23T/75T		
61	FU3-0273-000		1	GEAR, 28T		
62	FU3-0274-000		1	GEAR, 43T/31T		
63	FU3-0275-000		1	GEAR, 39T/26T		
64	FU3-0276-000		1	GEAR, 25T		
65	FU3-0277-000		2	GEAR, 16T	DUPLEX TYPE	
66	FU3-0278-000		2	GEAR, 23T	DUPLEX TYPE	
67	FU3-0295-000		1	GEAR, 44T		
68	FU3-0296-000		2	GEAR, 24T		
69	FU3-0297-000		1	GEAR, 36T		
70	FU3-0298-000		1	GEAR, 27T/18T		
71	RB1-2152-000		1	ROLLER, ARM		
72	RB2-5850-000		2	PRISM		
73	RH7-7129-020		2	OHT SENSOR UNIT	OHP1,2 J765,766	
74	RS5-1567-000		1	BUSHING		
75	FG3-2303-000		1	CABLE, REGIST. MULTI, 1	J755-757,761-766	
75A	VS1-7177-002		1	CONNECTOR, SNAP TIGHT	J762	
75B	VS1-7440-006		1	CONNECTOR, SNAP TIGHT	J756	
76	FG3-2304-020		1	CABLE, REGIST. MULTI, 2	J757,760	
76A	VS1-7177-003		1	CONNECTOR, SNAP TIGHT	J757	
77	FB6-3473-000		1	PANEL, REGIST. MULTI, RIGHT		
78	FB6-3474-000		1	BUTTON, REGIST. MULTI PUSH		
79	FS7-2813-000		1	SPRING, COMPRESSION		
80	FB6-4938-000		1	PLATE, SHEET SUPPORT		
81	FB6-3858-000		1	LABEL, SAFETY OPERATION	EXCEPT RQZ,RQY	
81	FB6-6217-000		1	LABEL, SAFETY OPERATION	RQZ,RQY	
82	FB6-3859-000		1	LABEL, JAM PAPER	EXCEPT RQZ,RQY	
82	FB6-6218-000		1	LABEL, JAM PAPER	RQZ,RQY	
83	FB6-3863-000		1	LABEL, MULTI HANDLE		
84	FB6-3864-000		1	LABEL, GUIDE HANDLE		

FIGURE & KEY NO.	PARTS NUMBER	R A N K	Q'TY	DESCRIPTION	SERIAL NUMBER/ REMARKS	S V C
85	FB6-4863-000		1	HOLDER, CONNECTOR		
86	FS5-9761-000		2	SCREW, STEPPED, M3		
87	FS7-2863-000		2	SPRING, COMPRESSION		
88	FB2-6285-020		2	SHIM		
501	XB3-6300-805		AR	SCREW, RS, M3X8		
502	XB4-5301-007		AR	SCREW, P, M3X10		
503	XB4-5401-007		AR	SCREW, P, M4X10		
504	XB2-8400-807		AR	SCREW, W/WASHER, M4X8		
508	XB4-5400-807		AR	SCREW, P, M4X8		
510	XD2-1100-502		AR	RING, E		
512	XD2-1100-642		AR	RING, E		
513	XD3-2200-102		AR	PIN, DOWEL		
514	XB2-8401-007		AR	SCREW, W/WASHER, M4X10		
515	XD3-2200-142		AR	PIN, DOWEL		
516	XD2-1100-282		AR	RING, E		

FIGURE 316 MULTI FEED TRAY ASSEMBLY



NOTE : This assembly is included in the assembly shown in Figure 315.

注 : このユニットはFigure 315のユニットに含まれます。

FIGURE & KEY NO.	PARTS NUMBER	R A N K	Q'TY	DESCRIPTION	SERIAL NUMBER/ REMARKS	S V C
Fig.316	FG6-9042-000		1	MULTI FEED TRAY ASSEMBLY	SEE NOTE	
1	FB6-3450-000		1	TRAY, MULTI FEEDER, UPPER		
2	FB6-3451-000		1	TRAY, MULTI FEEDER, LOWER		
3	FB6-3452-000		1	TRAY, SECOND		
4	FB6-3454-000		1	RACK, SIDE PLATE, REAR		
5	FB6-3455-000		1	RACK, SIDE PLATE, FRONT		
6	FB6-3456-000		1	GEAR, 46T/20T		
7	FB6-3457-000		1	RACK		
9	FB6-3459-000		1	BLOCK, SIDE REGIST. ADJUSTING		
10	FG3-2301-000		1	CABLE, MULTI TRAY	J756,758,759	
11	FB6-3508-000		1	ROLLER, PAPER DETECT		
12	FB6-4937-000		1	SHEET, SEPARATION		
13	FK2-0149-000		1	PHOTO-INTERRUPTER	PS9 J758	
14	FH7-7600-010		1	SLIDE VOLUME SENSOR UNIT	J759	
501	XB4-5400-807		AR	SCREW,P,M4X8		
502	XD1-1106-235		AR	SHIM		

FIGURE 321 PATTERN READER ASSEMBLY

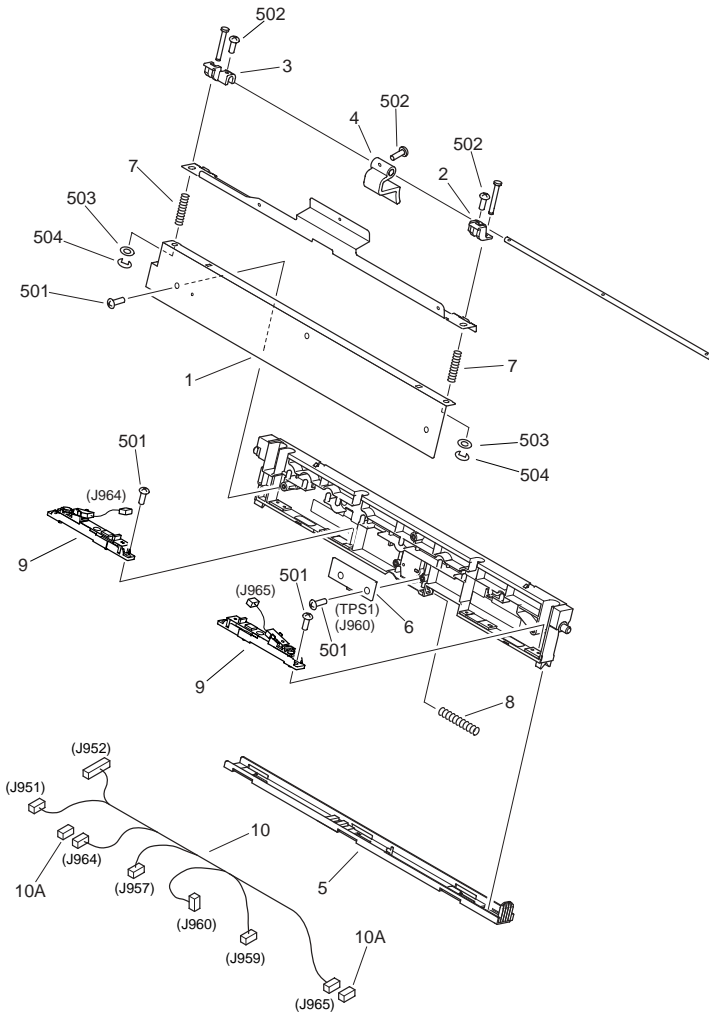


FIGURE & KEY NO.	PARTS NUMBER	R A N K	Q'TY	DESCRIPTION	SERIAL NUMBER/ REMARKS	S V C
Fig.321	FG6-8960-000		1	PATTERN READER ASSEMBLY		
1	FB6-3273-000		1	COVER, REGISTRATION SENSOR		
2	FB6-3291-000		1	CAM, RELEASE, 1		
3	FB6-3292-000		1	CAM, RELEASE, 2		
4	FB6-3293-000		1	LEVER, RELEASE		
5	FF6-2046-000		1	HOLDER, CLEANING		
6	FH7-7601-030		1	SALT SENSOR UNIT	TPS1 J960	
7	FS7-2850-000		2	SPRING, COMPRESSION		
8	FS7-2851-000		1	SPRING, COMPRESSION		
9	FG3-2315-000		2	REGIST. SENSOR PCB ASSEMBLY	J964,965	
10	FG3-2318-000		1	CABLE, REGIST. PAPER DETECT	J951,952,957,959,960,J964,965	
10A	VS1-7173-003		2	CONNECTOR, SNAP TIGHT	J964,965	
501	XB4-5300-807		AR	SCREW,P,M3X8		
502	XB6-7300-607		AR	SCREW,TP,M3X6		
503	XD1-1104-135		AR	SHIM		
504	XD2-1100-322		AR	RING,E		

FIGURE 330 FIXING FEEDER ASSEMBLY (PLAIN TYPE)

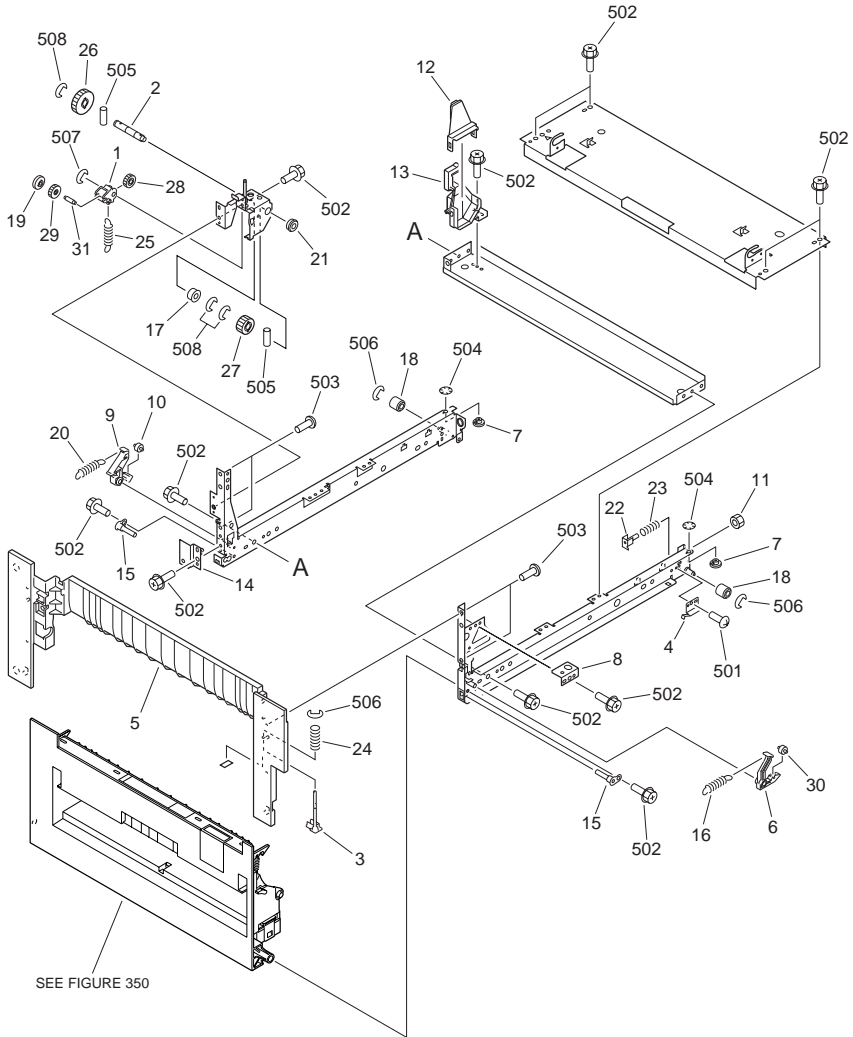


FIGURE & KEY NO.	PARTS NUMBER	R A N K	Q'TY	DESCRIPTION	SERIAL NUMBER/ REMARKS	S V C
Fig.330	NPN		RF	FIXING FEEDER ASSEMBLY	PLAIN TYPE	
1	FB6-3579-000		1	ARM, SWING		
2	FB6-3588-000		1	SHAFT, IDLER GEAR, 1		
3	FB6-3600-000		1	PIN, ADJUSTMENT		
4	FB6-3638-000		1	PLATE, GROUNDING		
5	FB6-3683-000		1	COVER, PAPER FEED		
6	FB6-3684-000		1	LEVER, CLICK, FRONT		
7	FB6-3686-000		2	PIN, SLIDE		
8	FB6-3698-000		1	PLATE, FIXING POSITIONING		
9	FB6-4908-000		1	LEVER, CLICK, REAR		
10	FB6-4918-000		1	ROLLER, LEVER, REAR		
11	XA9-1624-000		1	NUT,HEX,M5		
12	FB6-3694-000		1	DUCT, CONNECTING, UPPER		
13	FB6-3695-000		1	DUCT, CONNECTING, LOWER		
14	FF6-2079-000		1	PLATE, POSITIONING		
15	FF6-2081-000		2	SHAFT, DELIVERY OPEN/CLOSE		
16	FS7-2862-000		1	SPRING, TENSION		
17	FS1-1465-000		1	BUSHING		
18	FS5-6948-000		2	COLLAR, RAIL		
19	FS5-6950-000		1	COLLAR		
20	FS7-2818-000		1	SPRING, TENSION		
21	XG9-0520-000		1	BEARING, BALL		
22	FF6-2143-000		1	PLATE, ADJUSTMENT		
23	FS7-2861-000		1	SPRING, COMPRESSION		
24	FS7-2822-000		1	SPRING, COMPRESSION		
25	FS7-2829-000		1	SPRING, TENSION		
26	FU3-0312-000		1	GEAR, 30T		
27	FU3-0313-000		1	GEAR, 20T		
28	FU3-0314-000		1	GEAR, 15T		
29	FU3-0315-000		1	GEAR, 15T		
30	FB6-3934-000		1	ROLLER, LEVER, FRONT		
31	FB6-6546-000		1	SHAFT, GEAR		

FIGURE & KEY NO.	PARTS NUMBER	RANK	Q'TY	DESCRIPTION	SERIAL NUMBER/REMARKS	SVC
501	XB1-2300-407		AR	SCREW,MACH.,TRUSS HEAD,M3X4		
502	XB3-6400-800		AR	SCREW,RS,M4X8		
503	XB4-5400-807		AR	SCREW,P,M4X8		
504	XD2-2300-602		AR	RING,TOOTHED LOCK		
505	XD3-2200-122		AR	PIN,DOWEL		
506	XD2-1100-322		AR	RING,E		
507	XD2-1100-502		AR	RING,E		
508	XD2-1100-642		AR	RING,E		
	FF6-2080-000		1	PLATE, FACE UP DRIVE		

FIGURE 350 FACE-UP DELIVERY ASSEMBLY (PLAIN TYPE)

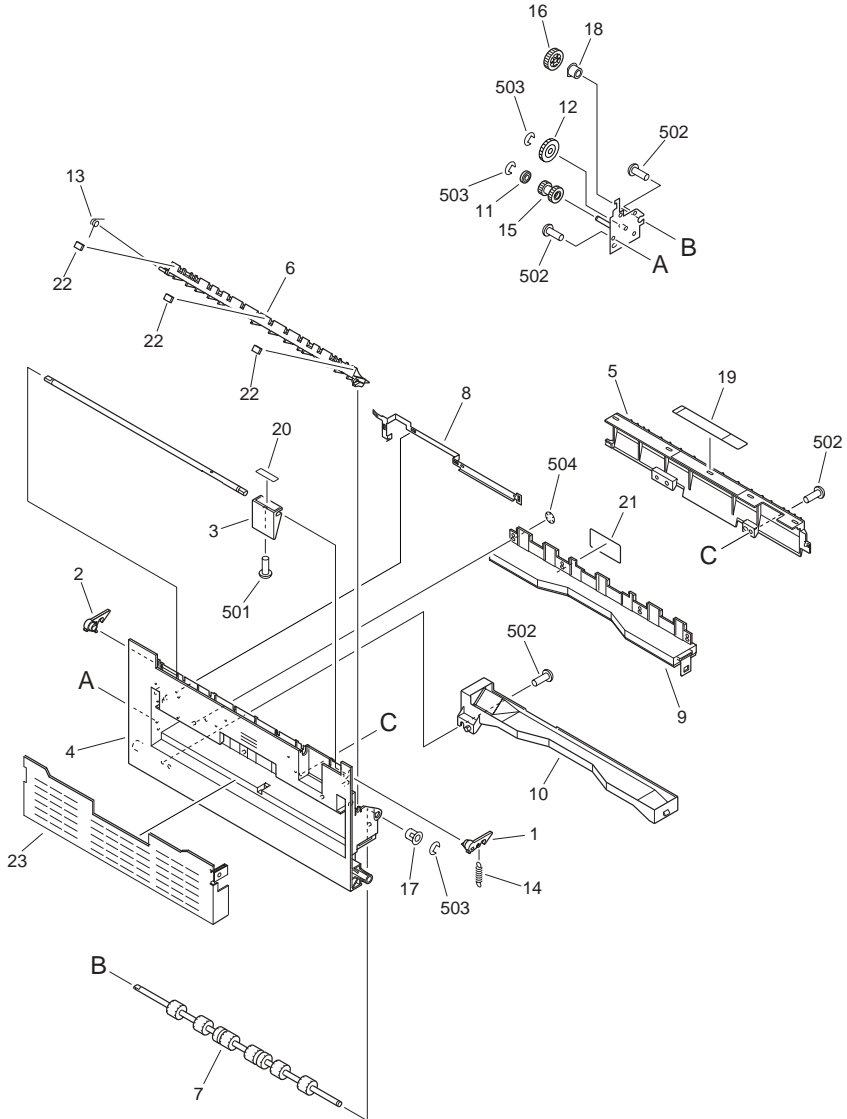


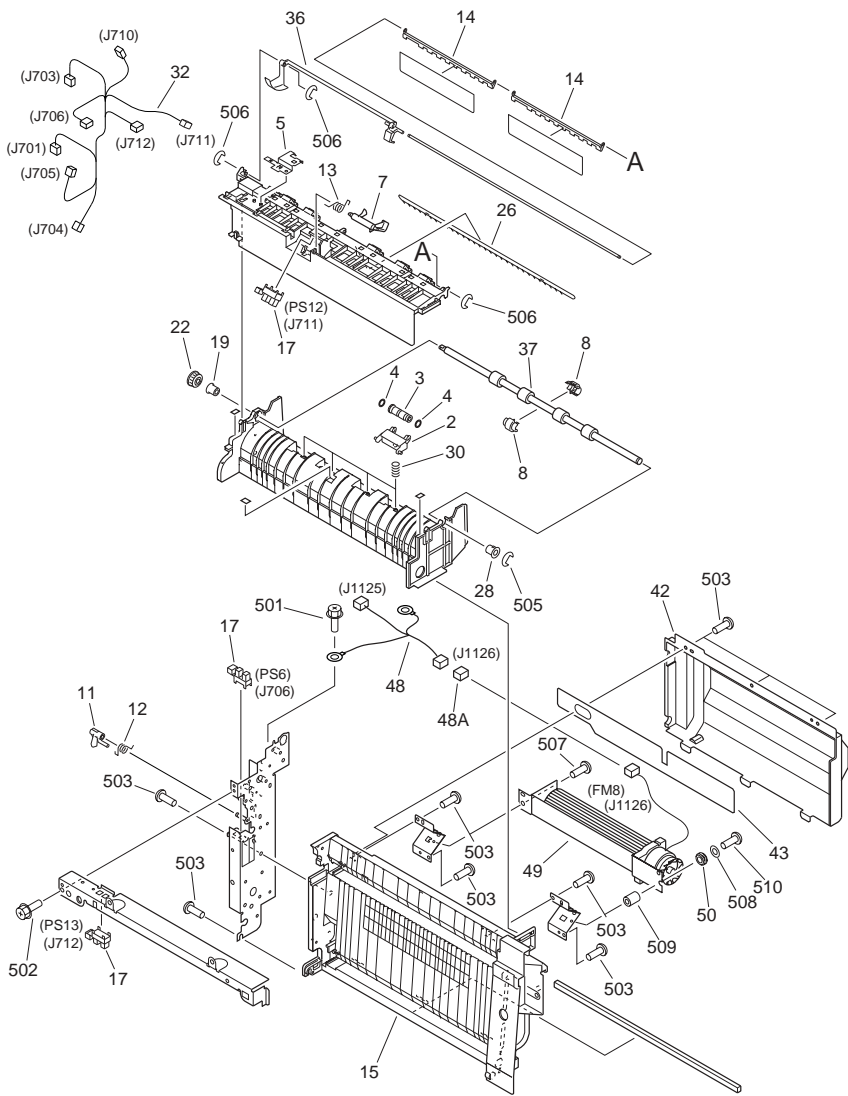
FIGURE & KEY NO.	PARTS NUMBER	RANK	QTY	DESCRIPTION	SERIAL NUMBER/REMARKS	SVC
Fig.350	FG6-9068-000		1	FACE-UP DELIVERY ASSEMBLY	PLAIN TYPE	
1	FB6-3610-000		1	HOOK, DELIVERY, FRONT		

FIGURE & KEY NO.	PARTS NUMBER	R A N K	Q'TY	DESCRIPTION	SERIAL NUMBER/ REMARKS	S V C
2	FB6-3611-000		1	HOOK, DELIVERY, REAR		
3	FB6-3612-000		1	KNOB, DELIVERY		
4	FB6-3700-000		1	PANEL, DELIVERY		
5	FB6-3702-000		1	GUIDE, FIXING DELIVERY		
6	FB6-3703-000		1	DEFLECTOR, FACE-UP		
7	FB6-3935-020		1	ROLLER, DELIVERY		
8	FB6-3705-000		1	PLATE, GROUNDING		
9	FB6-3706-000		1	DUCT, DELIVERY, UPPER		
10	FB6-3707-000		1	DUCT, DELIVERY, LOWER		
11	FS5-6946-000		1	ROLLER, 2		
12	FS7-0128-000		1	GEAR, 32T		
13	FS7-2823-000		1	SPRING, TORSION		
14	FS7-2828-000		1	SPRING, TENSION		
15	FU3-0301-000		1	GEAR, 16T/13T		
16	FU3-0317-000		1	GEAR, 21T		
17	RS5-1060-000		1	BUSHING		
18	RS5-1325-000		1	BUSHING, CONDUCTIVE		
19	FB6-3846-000		1	LABEL, FIXING DOOR OPEN/CLOSE		
20	FB6-3847-000		1	LABEL, FIXING LEVER OPEN/CLOSE		
21	FB6-3848-000		1	LABEL, FIXING JAM		
22	FB6-3936-000		3	PAD		
23	FB6-6222-000		1	COVER, PROTECTION		
501	XB6-7400-607		AR	SCREW,TP,M4X6		
502	XB4-5400-807		AR	SCREW,P,M4X8		
503	XD2-1100-502		AR	RING,E		
504	XD2-2300-402		AR	RING,TOOTHED LOCK		

FIGURE & KEY NO.	PARTS NUMBER	R A N K	Q'TY	DESCRIPTION	SERIAL NUMBER/ REMARKS	S V C
Fig.351	FG6-9050-000		1	DELIVERY VERTICAL PATH ASS'Y	OLD	
1	FF5-6279-000		1	PIN, GUIDE		
2	FC6-2915-000		4	HOLDER, ROLLER		
3	FB5-9570-000		4	ROLLER, FACEDOWN		
4	FC6-5061-000		4	RING		
5	FB6-3532-000		1	PLATE, GROUNDING		
6	FB6-3875-000		2	ROLLER, REVERSE		
7	FB6-3534-000		1	FLAG, DELIVERY SENSOR		
8	FB6-3877-000		2	COLLAR		
9	FF6-2145-000		4	ROLLER,DELIVERY FEEDER		
10	FB6-3541-000		1	GUIDE, INLET		
11	FY7-0375-000		1	SENSOR ARM & SPRING PARTS SET		
12	FB6-3545-020		1	SPRING, TORSION		
13	FB6-3564-000		1	SPRING, TORSION		
14	FF6-2131-000		2	PLATE, PAPER FULL SENSOR		
15	FF6-2070-000		1	GUIDE, PAPER FEED		
16	FH6-1975-020		2	MOTOR, STEPPING	M10,11 J704,705	
17	FK2-0149-000		4	PHOTO-INTERRUPTER	PS6,8,12,13J706,710,711, 712	
18	FU5-1726-000		2	BUSHING		
19	FS2-1544-000		1	BUSHING		
20	FS5-0353-000		4	GEAR, 22T		
21	FS5-3989-000		2	PULLEY, 32T		
22	FU3-0319-000		1	GEAR, 16T		
23	FU3-0322-000		1	GEAR, 17T/51T		
24	FU3-0323-000		1	GEAR, 28T		
25	FU3-0324-000		1	GEAR, 31T/17T		
26	RB1-6666-000		1	ELIMINATOR, STATIC CHARGE		
27	FB6-3897-000		4	RETAINER, FEEDER ROLLER		
28	RS5-1324-000		1	BUSHING		
29	RS5-1325-000		2	BUSHING, CONDUCTIVE		
30	FS7-2859-000		4	SPRING, COMPRESSION		

FIGURE & KEY NO.	PARTS NUMBER	RANK	Q'TY	DESCRIPTION	SERIAL NUMBER/REMARKS	SVC
31	XF9-0736-000		1	BELT, TIMING		
32	FG3-2311-000		1	CABLE, DELIVERY PATH	J701,703-706,710-712	
35	XA9-0724-000		2	SCREW,RS,M3X8		
36	FB6-3869-000		1	FLAG, PAPER FULL SENSOR		
37	FB6-3874-000		1	ROLLER, FACE-DOWN DELIVERY		
501	XB3-6300-805		AR	SCREW,RS,M3X8		
502	XB3-6400-800		AR	SCREW,RS,M3X8		
503	XB4-5300-807		AR	SCREW,P,M3X8		
504	XD2-1100-502		AR	RING,E		
505	XD2-1100-642		AR	RING,E		
506	XD2-1100-242		AR	RING,E		

FIGURE 351A DELIVERY VERTICAL PATH ASSEMBLY (NEW)



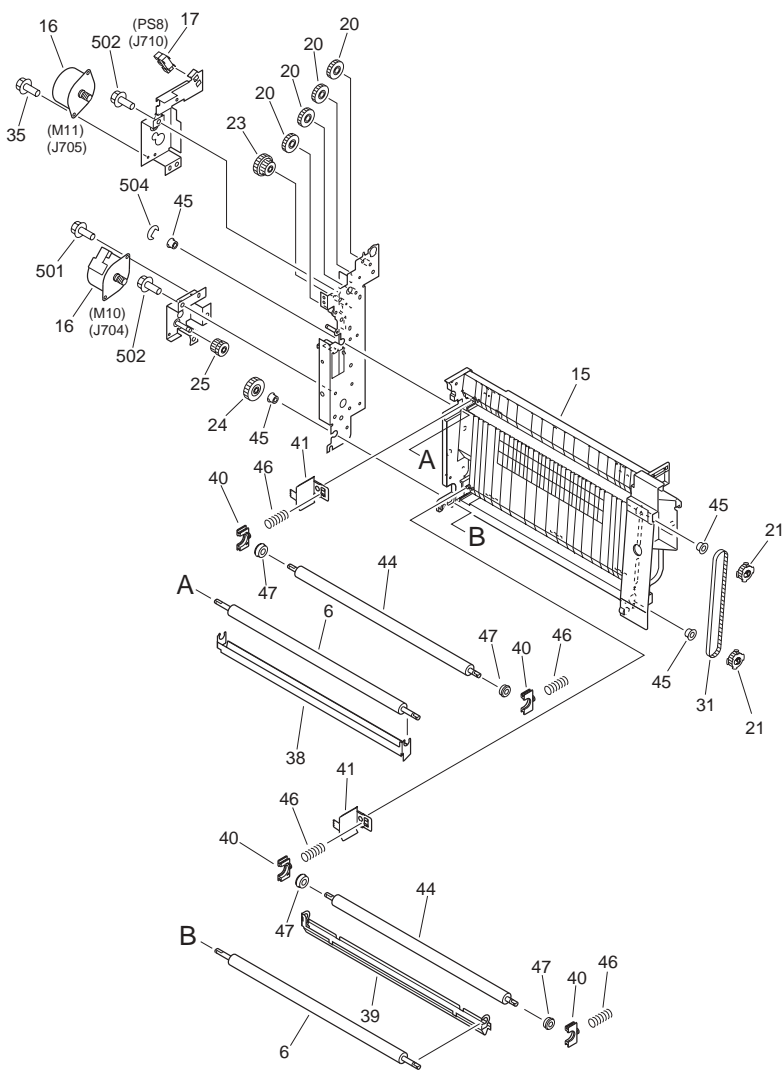


FIGURE & KEY NO.	PARTS NUMBER	R A N K	Q'TY	DESCRIPTION	SERIAL NUMBER/ REMARKS	S V C
Fig.351A	FG6-9654-030		1	DELIVERY VERTICAL PATH ASS'Y	NEW	
2	FC6-2915-000		4	HOLDER, ROLLER		
3	FC6-4012-000		4	ROLLER, PAPER DELIVERY		
4	FC6-5061-000		8	RING		
5	FB6-3532-000		1	PLATE, GROUNDING		
6	FB6-5781-020		2	ROLLER, REVERSE		
7	FB6-3534-000		1	FLAG, DELIVERY SENSOR		
8	FB6-3877-000		2	COLLAR		
11	FY7-0375-000		1	SENSOR ARM & SPRING PARTS SET		
12	FB6-3545-020		1	SPRING, TORSION		
13	FB6-3564-000		1	SPRING, TORSION		
14	FF6-2131-000		2	PLATE, PAPER FULL SENSOR		
15	FF6-2344-000		1	GUIDE, PAPER FEED		
16	FH6-1975-020		2	MOTOR, STEPPING	M10,11 J704,705	
17	FK2-0149-000		4	PHOTO-INTERRUPTER	PS6,8,12,13J706,710,711, 712	
19	FS2-1544-000		1	BUSHING		
20	FS5-0353-000		4	GEAR, 22T		
21	FS5-3989-000		2	PULLEY, 32T		
22	FU3-0319-000		1	GEAR, 16T		
23	FU3-0322-000		1	GEAR, 17T/51T		
24	FU3-0323-000		1	GEAR, 28T		
25	FU3-0324-000		1	GEAR, 31T/17T		
26	RB1-6666-000		1	ELIMINATOR, STATIC CHARGE		
28	RS5-1324-000		1	BUSHING		
30	FS7-2859-000		4	SPRING, COMPRESSION		
31	XF9-0736-000		1	BELT, TIMING		
32	FG3-2311-000		1	CABLE, DELIVERY PATH	J701,703-706,710-712	
35	XA9-0724-000		2	SCREW,RS,M3X8		
36	FB6-3869-000		1	FLAG, PAPER FULL SENSOR		
37	FB6-3874-000		1	ROLLER, FACE-DOWN DELIVERY		
38	FB6-5786-000		1	GUIDE, INLET, UPPER		

FIGURE & KEY NO.	PARTS NUMBER	RANK	Q'TY	DESCRIPTION	SERIAL NUMBER/REMARKS	SVC
39	FB6-5787-000		1	GUIDE, INLET, LOWER		
40	FB6-5790-000		4	BUSHING		
41	FB6-5791-000		2	PLATE, STATIC ELIMINATOR		
42	FB6-5792-000		1	DUCT, VERTICAL PATH FAN		
43	FB6-5795-000		1	SHEET, CABLE RETAINER		
44	FL2-5277-000		2	ROLLER, SLAVE		
45	FS6-1067-000		4	BUSHING		
46	FS7-2866-000		4	SPRING, COMPRESSION		
47	XG9-0513-000		4	BEARING, BALL		
48	FG3-3010-020		1	CABLE, VERTICAL PATH FAN	J1125,1126	
48A	VS1-7177-003		1	CONNECTOR, SNAP TIGHT	J1126	
49	FH6-1984-020		1	FAN	FM8 J1126	
50	XZ9-0556-000		1	BUSHING		
501	XB3-6300-805		AR	SCREW,RS,M3X8		
502	XB3-6400-800		AR	SCREW,RS,M4X8		
503	XB4-5300-807		AR	SCREW,P,M3X8		
504	XD2-1100-502		AR	RING,E		
505	XD2-1100-642		AR	RING,E		
506	XD2-1100-242		AR	RING,E		
507	XB1-2300-607		AR	SCREW,MACH.,TRUSS HEAD,M3X6		
508	XD1-1104-635		AR	SHIM		
509	XZ1-1300-605		AR	SPACER		
510	XB6-7300-805		AR	SCREW,TP,M3X8		

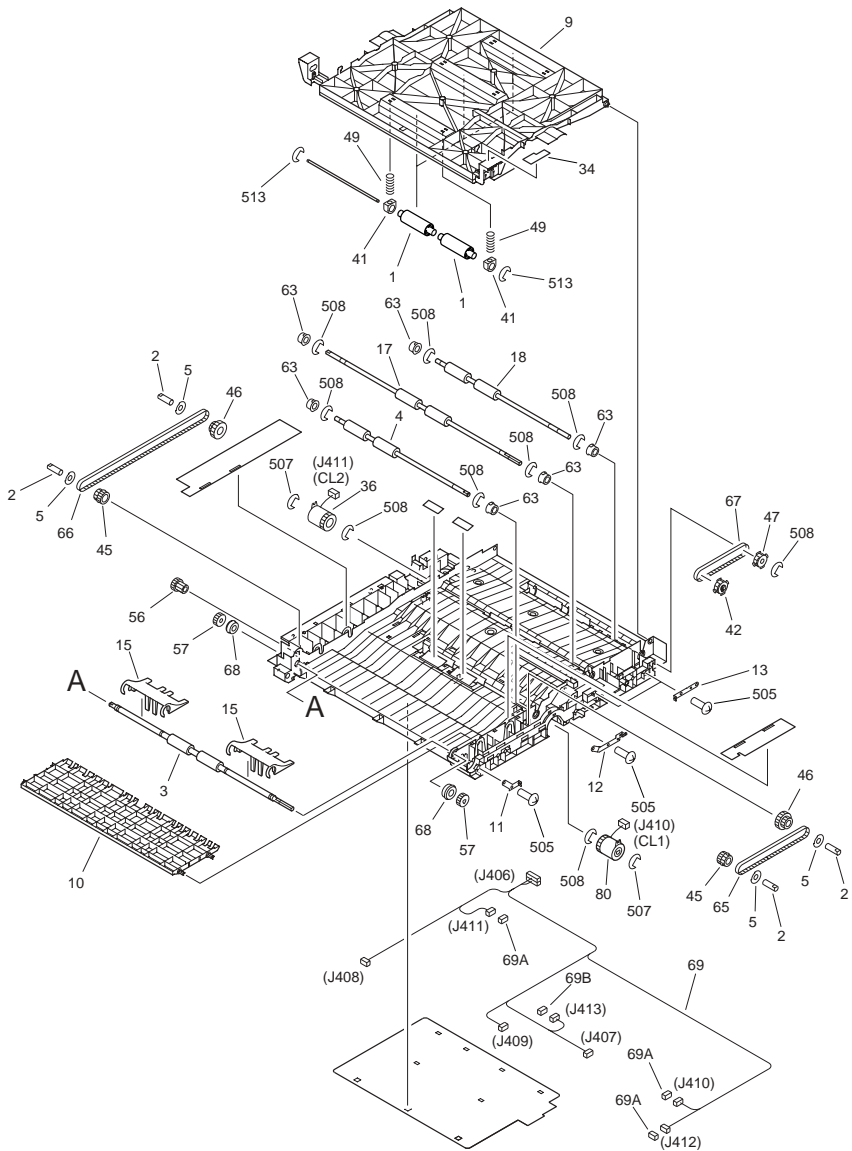


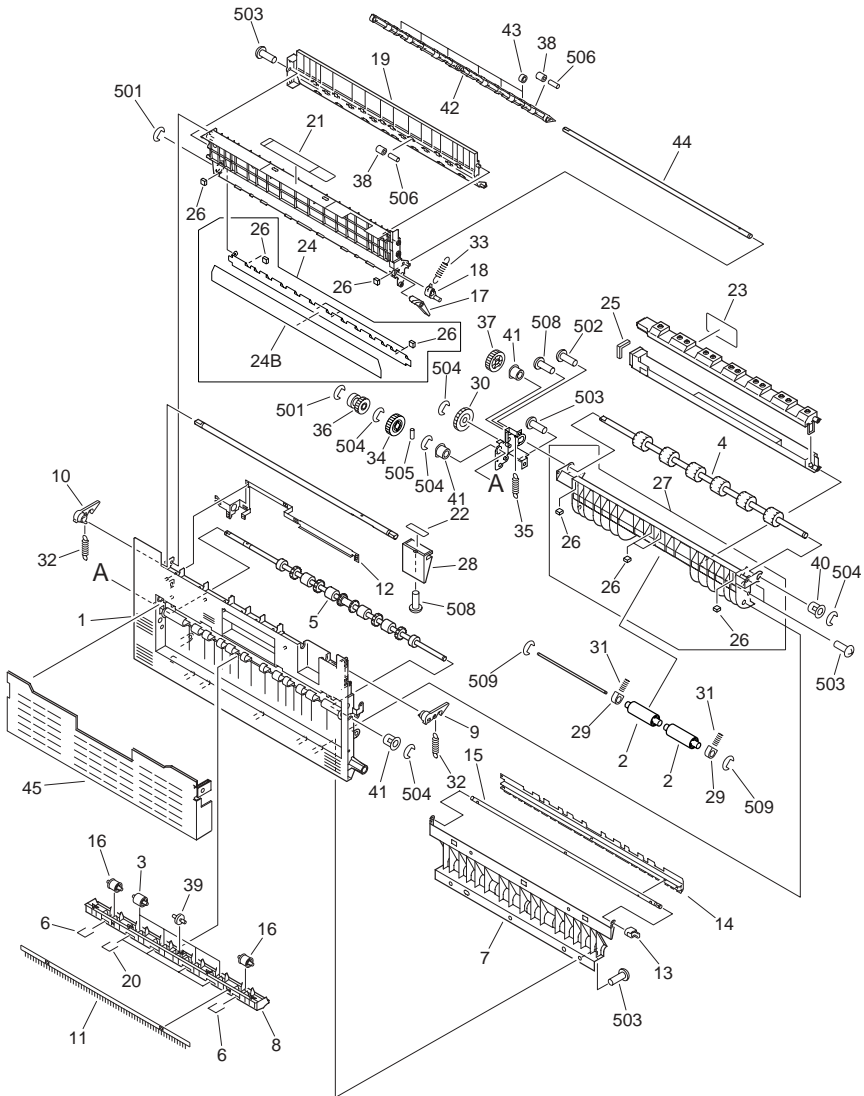
FIGURE & KEY NO.	PARTS NUMBER	R A N K	Q'TY	DESCRIPTION	SERIAL NUMBER/ REMARKS	S V C
Fig.360	FG6-9058-190		1	DUPLEXING ASSEMBLY	DUPLEX TYPEEXCEPT RQZ,RQYSEE NOTE	
Fig.360	FM1-0352-160		1	DUPLEXING ASSEMBLY	DUPLEX TYPERQY,RQZSEE NOTE	
1	FB6-4873-000		6	ROLLER, PAPER FEED		
2	FB6-3572-000		4	SHAFT, DUPLEXING IDLER		
3	FB6-3888-020		1	ROLLER, DUPLEXING FEEDER, 1		
4	FB6-3889-020		1	ROLLER, DUPLEXING FEEDER, 2		
5	FB6-3576-000		4	SPACER		
6	FB6-3577-000		1	HOLDER, DUPLEXING SENSOR		
7	FB6-3578-000		1	FLAG, DUPLEXING SENSOR		
8	FB6-3579-000		1	ARM, SWING		
9	FB6-3580-000		1	GUIDE, DUPLEXING OPEN/CLOSE		
10	FM2-6099-000		1	GUIDE, DUPLEXING, UPPER		
11	FB6-3583-000		1	PLATE, GROUNDING, 1		
12	FB6-3584-000		1	PLATE, GROUNDING, 2		
13	FB6-3585-000		2	PLATE, GROUNDING, 3		
14	FB6-3588-000		1	SHAFT, IDLER GEAR, 1		
15	FB6-3589-000		2	GUIDE, DUPLEXING AUXILIARY		
16	FB6-3590-000		1	SUPPORT, DRAWER CABLE		
17	FB6-3890-020		1	ROLLER, DUPLEXING FEEDER, 3		
18	FB6-6530-000		1	ROLLER, DUPLEXING FEEDER, 4		
19	FB6-3595-000		1	LINK, SOLENOID, 1		
20	FB6-4908-000		1	LEVER, CLICK, REAR		
21	FF6-2147-000		1	PANEL, EX. DELIVERY FIX, FRONT		
22	FB6-3599-000		1	PANEL, DELIVERY, REAR		
23	FB6-3600-000		1	PIN, ADJUSTMENT		
24	FB6-3638-000		1	PLATE, GROUNDING		
25	FB6-3684-000		1	LEVER, CLICK, FRONT		
26	FB6-3686-000		2	PIN, SLIDE		
27	FB6-4918-000		1	ROLLER, LEVER, REAR		
28	XA9-1624-000		1	NUT,HEX,M5		

FIGURE & KEY NO.	PARTS NUMBER	R A N K	Q'TY	DESCRIPTION	SERIAL NUMBER/ REMARKS	S V C
29	FB6-3698-000		1	PLATE, FIXING POSITIONING		
30	FB6-3880-000		1	DUCT, JOINT		
31	FB6-3728-000		1	LINK, DELIVERY OPEN/CLOSE		
32	FF6-2079-000		1	PLATE, POSITIONING		
33	FF6-2081-000		1	SHAFT, DELIVERY OPEN/CLOSE		
34	FB6-3893-000		1	LABEL, DUPLEXING HANDLE		
35	FH6-1974-020		1	MOTOR, STEPPING	M26 J408	
36	FH6-5052-020		1	CLUTCH, ELECTRO-MAGNETIC	CL2 J411	
37	FH6-5056-020		1	SOLENOID	SL5 J412	
38	FK2-0149-000		2	PHOTO-INTERRUPTER	PS21,22 J409,414	
39	FS1-1465-000		1	BUSHING		
40	FB6-3934-000		1	ROLLER, LEVER, FRONT		
41	FS5-1595-000		6	BLOCK, ROLLER		
42	FS5-3989-000		1	PULLEY, 32T		
43	FS5-6948-000		2	COLLAR, RAIL		
44	FS5-6950-000		1	COLLAR		
45	FS6-3001-000		2	PULLEY, 28T/GEAR, 35T		
46	FS6-3002-000		2	PULLEY, 28T/GEAR, 24T		
47	FS6-3003-000		1	PULLEY, 32T		
48	FS7-2360-000		1	SPRING, TENSION		
49	FU6-2924-000		4	SPRING, COMPRESSION		
50	FS7-2867-000		1	SPRING, TENSION		
51	FB6-3964-000		1	PLATE, POSITIONING, FRONT		
52	FF6-2143-000		1	PLATE, ADJUSTMENT		
53	FS7-2861-000		1	SPRING, COMPRESSION		
54	FS7-2822-000		1	SPRING, COMPRESSION		
55	FS7-2829-000		1	SPRING, TENSION		
56	FU3-0310-000		1	GEAR, 35T/24T		
57	FU3-0311-000		2	GEAR, 35T		
58	FU3-0312-000		1	GEAR, 30T		
59	FU3-0313-000		1	GEAR, 20T		
60	FU3-0314-000		1	GEAR, 15T		

FIGURE & KEY NO.	PARTS NUMBER	R A N K	Q'TY	DESCRIPTION	SERIAL NUMBER/ REMARKS	S V C
61	FU3-0315-000		1	GEAR, 15T		
62	FB6-6546-000		1	SHAFT, GEAR		
63	RS5-1325-000		6	BUSHING, CONDUCTIVE		
64	VS1-6920-025		1	CONNECTOR, 25P, MALE	J406	
65	XF9-0733-000		1	BELT, TIMING		
66	XF9-0734-000		1	BELT, TIMING		
67	XF9-0735-000		1	BELT, TIMING		
68	XG9-0520-000		3	BEARING, BALL		
69	FG3-2312-020		1	CABLE, DUPLEXING	J406-413	
69A	VS1-7177-002		3	CONNECTOR, SNAP TIGHT	J410-412	
69B	VS1-7440-006		1	CONNECTOR, SNAP TIGHT	J413	
70	FS7-2862-000		1	SPRING, TENSION		
71	FG3-3002-000		1	CABLE, GROUNDING		
72	FB6-3629-020		1	RACK, SLIDE		
73	FB6-3630-000		1	FLAG, REG. SENSOR		
74	FH6-1253-020		1	MOTOR, STEPPING, DC24V	M25 J413	
76	FS7-2832-000		1	SPRING, TORSION		
77	FU3-0318-000		1	GEAR, 36T/12T		
78	FG3-2313-020		1	CABLE, SIDE REGIST. SENSOR	J407,414	
78A	VS1-7177-003		1	CONNECTOR, SNAP TIGHT	J407	
79	FG6-9060-000		1	SIDE REGISTRATION DETECT UNIT		
80	FH6-1986-000		1	CLUTCH, ELECTRO-MAGNETIC	CL1 J410	
501	XB1-2300-407		AR	SCREW,MACH.,TRUSS HEAD,M3X4		
502	XB1-2400-607		AR	SCREW,MACH.,TRUSS HEAD,M4X6		
503	XB3-6400-800		AR	SCREW,RS,M4X8		
504	XB1-2300-807		AR	SCREW,MACH.,TRUSS HEAD,M3X8		
505	XB4-5400-807		AR	SCREW,P,M4X8		
506	XD1-1104-135		AR	SHIM		
507	XD2-1100-322		AR	RING,E		
508	XD2-1100-502		AR	RING,E		
509	XD2-1100-642		AR	RING,E		
510	XD2-2300-602		AR	RING,TOOTHED LOCK		

FIGURE & KEY NO.	PARTS NUMBER	R A N K	Q'TY	DESCRIPTION	SERIAL NUMBER/ REMARKS	S V C
511	XD3-1300-102		AR	PIN,SPRING		
512	XD3-2200-122		AR	PIN,DOWEL		
513	XD2-1100-282		AR	RING,E		

FIGURE 361 EXTERNAL DELIVERY COVER ASSEMBLY (DUPLEX TYPE)



NOTE : This assembly is included in the assembly shown in Figure 360.

注 : このユニットはFigure 360のユニットに含まれます。

FIGURE & KEY NO.	PARTS NUMBER	R A N K	Q'TY	DESCRIPTION	SERIAL NUMBER/ REMARKS	S V C
Fig.361	FG6-9059-100		1	EXTERNAL DELIVERY COVER ASS'Y	DUPLEX TYPE EXCEPT RQY,RQZSEE NOTE	
Fig.361	FM1-0351-080		1	EXTERNAL DELIVERY COVER ASS'Y	DUPLEX TYPERQY,RQZSEE NOTE	
1	FB6-3604-000		1	PANEL, EXTERNAL DELIVERY		
2	FB6-4873-000		2	ROLLER, PAPER FEED		
3	FB6-3555-000		4	ROLLER, DELIVERY, 2		
4	FB6-4862-020		1	ROLLER, INTERNAL DELIVERY		
5	FB6-3602-000		1	ROLLER, EXTERNAL DELIVERY		
6	FB6-3603-000		2	PIN, ROLLER HOLDING		
7	FB6-3606-000		1	GUIDE, EXTERNAL DELIV., LOWER		
8	FF6-2117-000		1	HOLDER, EXTERNAL DELIV. ROLLER		
9	FB6-3610-000		1	HOOK, DELIVERY, FRONT		
10	FB6-3611-000		1	HOOK, DELIVERY, REAR		
11	FB6-3613-000		1	ELIMINATOR, STATIC CHARGE		
12	FB6-3614-000		1	PLATE, GROUNDING		
13	FB6-3618-000		1	LINK, SOLENOID, 2		
14	FF6-2118-000		1	DEFLECTOR, FACE-UP/DUPLEX		
15	FB6-3620-000		1	SHAFT, FU/DUPLEX DEFLECTOR		
16	FB6-3621-000		2	ROLLER, EXTERNAL DELIVERY		
17	FB6-3623-000		1	LINK, DEFLECTOR		
18	FB6-3626-000		1	LINK, FACE-UP DEFLECTOR, 2		
19	FB6-3729-000		1	GUIDE, EXTERNAL DELIV., UPPER		
20	FB6-3843-000		4	PIN, ROLLER HOLDING		
21	FB6-3846-000		1	LABEL, FIXING DOOR OPEN/CLOSE	EXCEPT RQY,RQZ	
21	FB6-6216-000		1	LABEL, FIXING DOOR OPEN/CLOSE	RQY,RQZ	
22	FB6-3847-000		1	LABEL, FIXING LEVER OPEN/CLOSE		
23	FB6-3848-000		1	LABEL, FIXING JAM		
24	FF6-2075-030		1	GUIDE, FACE-UP FIXING		
24B	FB6-3617-000		1	SHEET, DUPLEXING REVERSE		
25	FB6-3627-000		1	DAMPER, DUCT, 2		
26	FB6-3586-000		10	DAMPER, NOISE INSULATION		

FIGURE & KEY NO.	PARTS NUMBER	RANK	Q'TY	DESCRIPTION	SERIAL NUMBER/REMARKS	SVC
27	FF6-2116-000		1	GUIDE, EXTERNAL DELIV., LOWER	S3200,V3200	
28	FB6-3612-000		1	KNOB, DELIVERY		
29	FS5-1595-000		2	BLOCK, ROLLER		
30	FS7-0128-000		1	GEAR, 32T		
31	FU6-2924-000		4	SPRING, COMPRESSION		
32	FS7-2828-000		2	SPRING, TENSION		
33	FS7-2830-000		1	SPRING, TENSION		
34	FU3-0277-000		1	GEAR, 16T		
35	FS7-2831-000		1	SPRING, TENSION		
36	FU3-0316-000		1	GEAR, 13T		
37	FU3-0317-000		1	GEAR, 21T		
38	FB6-7002-000		30	ROLLER, PAPER SENSOR		
39	RB9-0255-000		1	ROLLER		
40	RS5-1060-000		1	BUSHING		
41	RS5-1325-000		3	BUSHING, CONDUCTIVE		
42	FB6-3622-000		1	DEFLECTOR, FACE-UP, DUPLEXING		
43	FB6-3892-000		6	ROLLER, FACE-UP DEFLECTOR		
44	FF6-2128-000		1	SHAFT, FACE-UP DEFLECTOR		
45	FB6-6222-000		1	COVER, PROTECTION		
501	XD2-1100-402		AR	RING,E		
502	XB2-8300-807		AR	SCREW,V/WASHER,M3X8		
503	XB4-5300-807		AR	SCREW,P,M3X8		
504	XD2-1100-502		AR	RING,E		
505	XD3-2200-102		AR	PIN,DOWEL		
506	XD3-2200-122		AR	PIN,DOWEL		
508	XB6-7400-607		AR	SCREW,TP,M4X6		
509	XD2-1100-282		AR	RING,E		

FIGURE 365 MULTI PAPER FEED MOUNT ASSEMBLY

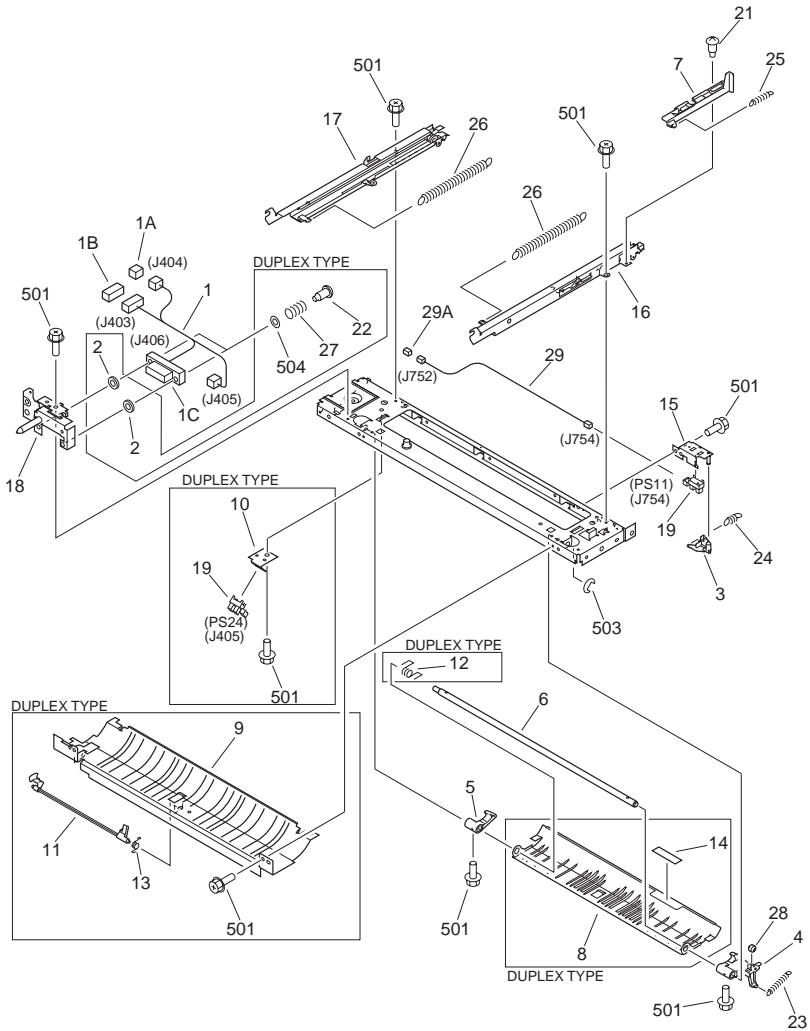


FIGURE & KEY NO.	PARTS NUMBER	R A N K	Q'TY	DESCRIPTION	SERIAL NUMBER/ REMARKS	S V C
Fig.365	FG6-9021-000		1	MULTI PAPER FEED MOUNT ASS'Y	PLAIN TYPE	
Fig.365	FG6-9022-000		1	MULTI PAPER FEED MOUNT ASS'Y	DUPLEX TYPE	
1	FG3-2306-000		1	CABLE, DUPLEXING DRAWER	DUPLEX TYPEJ403-406	
1A	VS1-7173-004		1	CONNECTOR, SNAP TIGHT	DUPLEX TYPEJ404	
1B	VS1-6319-026		1	CONNECTOR, SNAP TIGHT	DUPLEX TYPEJ403	
1C	VS1-6919-025		1	CONNECTOR, DRAWER	DUPLEX TYPEJ406	
2	FS5-6955-000		2	SPACER	DUPLEX TYPE	
3	FB6-3346-000		1	FLAG, OPEN/CLOSE SENSOR		
4	FB6-3348-000		1	HOOK, REGISTRATION, FRONT		
5	FB6-3349-000		1	HOOK, REGISTRATION, REAR		
6	FB6-3350-000		1	SHAFT, HOOK		
7	FB6-3351-000		1	LEVER, RELEASE		
8	FB6-3356-000		1	GUIDE, RE-PICK UP, UPPER	DUPLEX TYPE	
9	FB6-3357-000		1	GUIDE, RE-PICK UP, LOWER	DUPLEX TYPE	
10	FB6-3358-000		1	SUPPORT, DUPLEXING SENSOR	DUPLEX TYPE	
11	FB6-3359-000		1	FLAG, RE-PICK UP SENSOR	DUPLEX TYPE	
12	FB6-3360-000		1	SPRING, TORSION	DUPLEX TYPE	
13	FB6-3361-000		1	SPRING, TORSION	DUPLEX TYPE	
14	FB6-3864-000		1	LABEL, GUIDE HANDLE	DUPLEX TYPE	
15	FF6-2054-000		1	SUPPORT, OPEN/CLOSE SENSOR		
16	FF6-2101-000		1	RAIL, FRONT		
17	FF6-2102-000		1	RAIL, REAR		
18	FF6-2129-000		1	SUPPORT, FEEDER POSITIONING		
19	FK2-0149-000		2	PHOTO-INTERRUPTER	DUPLEX TYPEPS11,24 J754,405	
19	FK2-0149-000		1	PHOTO-INTERRUPTER	PLAIN TYPEPS11 J754	
21	FS5-9753-020		1	SCREW,STEPPED,M3		
22	FS5-9758-020		2	SCREW,STEPPED,M3	DUPLEX TYPE	
23	FS7-2790-000		1	SPRING, TENSION		
24	FS7-2791-000		1	SPRING, TENSION		
25	FS7-2792-000		1	SPRING, TENSION		
26	FS7-2793-000		2	SPRING, TENSION		

FIGURE & KEY NO.	PARTS NUMBER	RANK	Q'TY	DESCRIPTION	SERIAL NUMBER/REMARKS	SVC
27	FS7-2796-000		2	SPRING, COMPRESSION	DUPLEX TYPE	
28	RB1-2152-000		1	ROLLER, ARM		
29	FG3-2305-000		1	CABLE, RAIL MOUNT	J752,754	
29A	VS1-7173-003		1	CONNECTOR, SNAP TIGHT	J752	
501	XB3-6300-805		AR	SCREW,RS,M3X8		
503	XD2-1100-502		AR	RING,E		
504	XD1-1104-137		AR	SHIM		

FIGURE 460 LASER UNIT

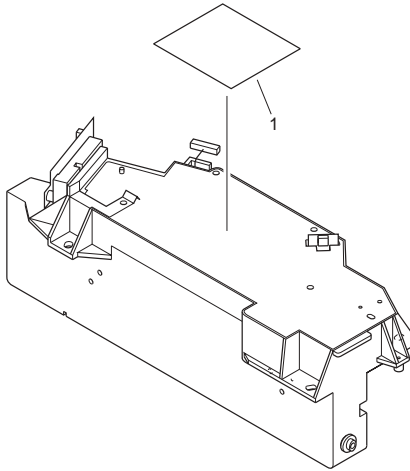


FIGURE & KEY NO.	PARTS NUMBER	RANK	QTY	DESCRIPTION	SERIAL NUMBER/REMARKS	SVC
Fig.460	FG6-8962-000		4	LASER UNIT	EXCEPT MSN,RQY	
Fig.460	FM1-0357-000		4	LASER UNIT	MSN,RQY	
1	FS7-8335-000		4	LABEL, LASER WARNING	MSN,RQY	
1	RU5-8126-000		4	LABEL, LASER WARNING	EXCEPT MSN,RQY	

FIGURE 535 INTERMEDIATE TRANSFER BELT ASSEMBLY

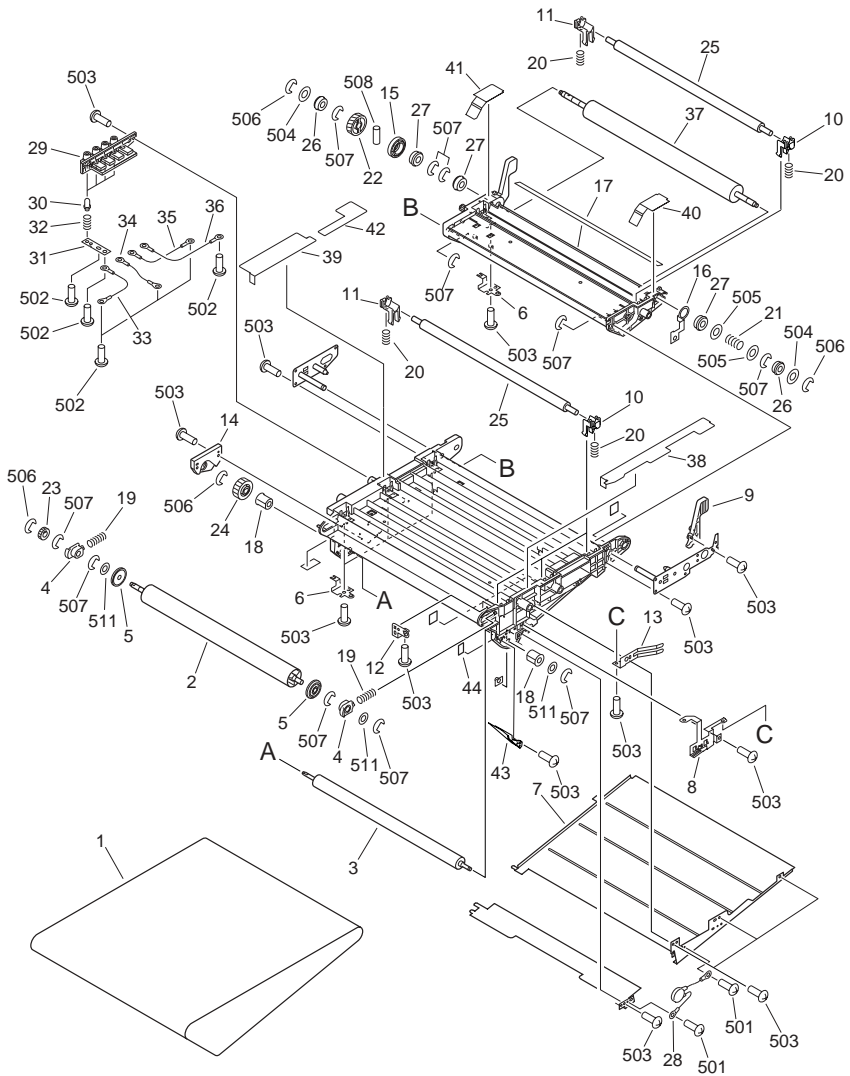


FIGURE & KEY NO.	PARTS NUMBER	R A N K	Q'TY	DESCRIPTION	SERIAL NUMBER/ REMARKS	S V C
Fig.535	FG6-8942-130		1	INTER. TRANSFER BELT ASSEMBLY		
1	FB6-2930-000		1	BELT, TRANSFER		
2	FB6-6380-000		1	ROLLER, TENSION		
3	FB6-2934-020		1	ROLLER, TRANSFER, 2		
4	FB6-2936-000		2	BUSHING		
5	FB6-2938-000		2	COLLAR, LIMIT		
6	FB6-2939-000		4	PLATE, CONTACT		
7	FB6-2940-000		1	COVER, BELT		
8	FB6-2941-000		1	PLATE, GROUNDING		
9	FB6-2942-000		1	HANDLE, FRONT		
10	FB6-2944-010		4	BUSHING		
11	FB6-2945-010		4	BUSHING		
12	FB6-2947-000		1	PLATE, GROUNDING		
13	FB6-2948-000		1	SPRING, LEAF		
14	FB6-2951-000		1	COVER, GEAR		
15	FB6-2957-000		1	ROLLER		
16	FB6-2958-000		1	PLATE, GROUNDING		
17	FB6-2974-000		1	SCRAPER		
18	FS6-1062-000		2	BUSHING		
19	FS7-2781-000		2	SPRING, COMPRESSION		
20	FS7-2782-000		8	SPRING, COMPRESSION		
21	FS7-2783-000		1	SPRING, COMPRESSION		
22	FU3-0266-040		1	GEAR, 42T		
23	FU3-0267-000		1	GEAR, 18T		
24	FU3-0268-000		1	GEAR, 40T		
25	FB6-6545-030		4	ROLLER, TRANSFER		
26	XG9-0245-000		2	BEARING, BALL		
27	XG9-0415-000		3	BEARING, BALL		
28	FG3-2365-020		1	CABLE, VARISTOR		
29	FB6-2953-000		1	HOLDER, CONTACT		
30	FB6-2954-000		4	CONTACT		
31	FB6-2955-000		4	PLATE, SUPPORT SPRING		

FIGURE & KEY NO.	PARTS NUMBER	R A N K	Q'TY	DESCRIPTION	SERIAL NUMBER/REMARKS	S V C
32	FS7-2784-000		4	SPRING, COMPRESSION		
33	FG3-2320-000		1	CABLE, HV, YELLOW		
34	FG3-2321-000		1	CABLE, HV, MAGENTA		
35	FG3-2367-000		1	CABLE, HV, CYAN		
36	FG3-2368-000		1	CABLE, HV, BLACK		
37	FB6-2931-020		1	ROLLER, DRIVE		
38	FF6-2388-000		1	COVER SHEET 1		
39	FF6-2389-000		1	COVER SHEET 2		
40	FF6-2390-000		1	COVER SHEET 3		
41	FF6-2391-000		1	COVER SHEET 4		
42	FF6-2392-000		1	COVER SHEET 5		
43	FF6-2396-000		1	COVER SHEET 6		
44	FB6-7072-000		1	SHEET, HOLE CLOSE		
501	XB1-2300-607		AR	SCREW,MACH.,TRUSS HEAD,M3X6		
502	XB2-8300-607		AR	SCREW,W/WASHER,M3X6		
503	XB4-5300-807		AR	SCREW,P,M3X8		
504	XD1-1106-212		AR	SHIM		
505	XD1-1108-225		AR	SHIM		
506	XD2-1100-502		AR	RING,E		
507	XD2-1100-642		AR	RING,E		
508	XD3-2200-202		AR	PIN,DOWEL		
511	XD1-1108-212		AR	SHIM		

FIGURE 537 TRANSFER CLEANING ASSEMBLY

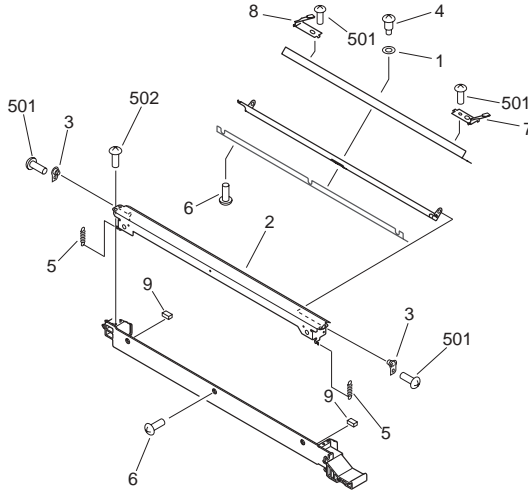


FIGURE & KEY NO.	PARTS NUMBER	R A N K	QTY	DESCRIPTION	SERIAL NUMBER/ REMARKS	S V C
Fig.537	FG6-8989-030		1	TRANSFER CLEANING ASSEMBLY		
1	FS5-6957-000		1	WASHER, WAVE		
2	FB6-3113-000		1	COVER, CLEANING		
3	FF6-2032-000		2	SUPPORT, BLADE SWING		
4	FS1-9010-020		1	SCREW, STEPPED, M3X2.2		
5	FS7-2840-000		2	SPRING, TENSION		
6	XA9-0624-000		9	SCREW, M3X4		
7	FF6-2393-000		1	SEAL, FRONT		
8	FF6-2394-000		1	SEAL, REAR		
9	FB6-7070-000		2	SEAL, BACK SURFACE		
501	XB1-2300-407		AR	SCREW, MACH., TRUSS HEAD, M3X4		
502	XB4-5300-807		AR	SCREW, P, M3X8		

FIGURE 560 SECONDARY TRANSFER ASSEMBLY

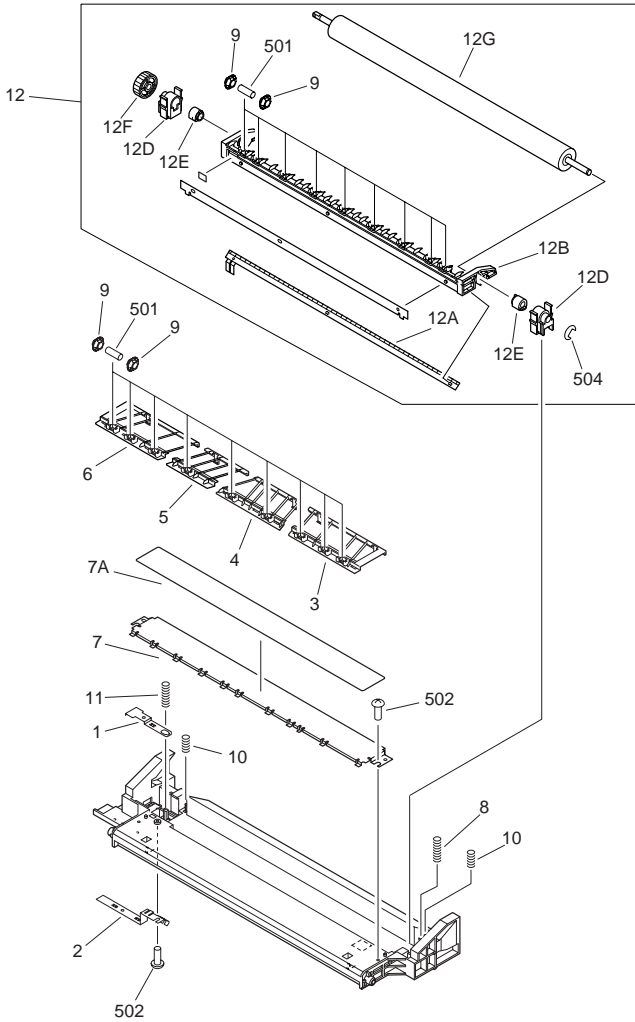


FIGURE & KEY NO.	PARTS NUMBER	R A N K	Q'TY	DESCRIPTION	SERIAL NUMBER/ REMARKS	S V C
Fig.560	FG6-8993-000		1	SECONDARY TRANSFER ASSEMBLY		
1	FB6-3135-020		1	PLATE, HV CONTACT, 2		
2	FB6-3136-020		1	PLATE, GROUNDING, 2		
3	FB6-3146-000		1	GUIDE, SECONDARY TRANSFER, 1		
4	FB6-3853-000		1	GUIDE, SECONDARY TRANSFER, 2		
5	FB6-3854-000		1	GUIDE, SECONDARY TRANSFER, 3		
6	FB6-3855-000		1	GUIDE, SECONDARY TRANSFER, 4		
7	FF6-2127-000		1	PLATE, ATTRACTION		
7A	FB6-3850-000		1	SHEET, SECONDARY TRANSFER		
8	FS7-2846-000		1	SPRING, COMPRESSION		
9	FB6-3150-000		36	COLLAR, TRANSFER		
10	FS7-2856-000		2	SPRING, COMPRESSION		
11	FS7-2857-000		1	SPRING, COMPRESSION		
12	FG6-8997-000		1	SECONDARY TRANSFER ROLLER UNIT		
12A	FB6-3134-000		1	ELIMINATOR, STATIC CHARGE		
12B	FB6-3149-000		1	HOLDER, STATIC CHARGE		
12D	FB6-3939-000		2	HOLDER, BUSHING		
12E	FS6-1066-000		2	BUSHING		
12F	FU3-0344-000		1	GEAR, 48T		
12G	FC7-0090-000		1	ROLLER, SECONDARY TRANSFER		
501	XD3-2200-102		AR	PIN,DOWEL		
502	XB4-5300-607		AR	SCREW,P,M3X6		
504	XD2-1100-502		AR	RING,E		

FIGURE 810 FIXING ASSEMBLY

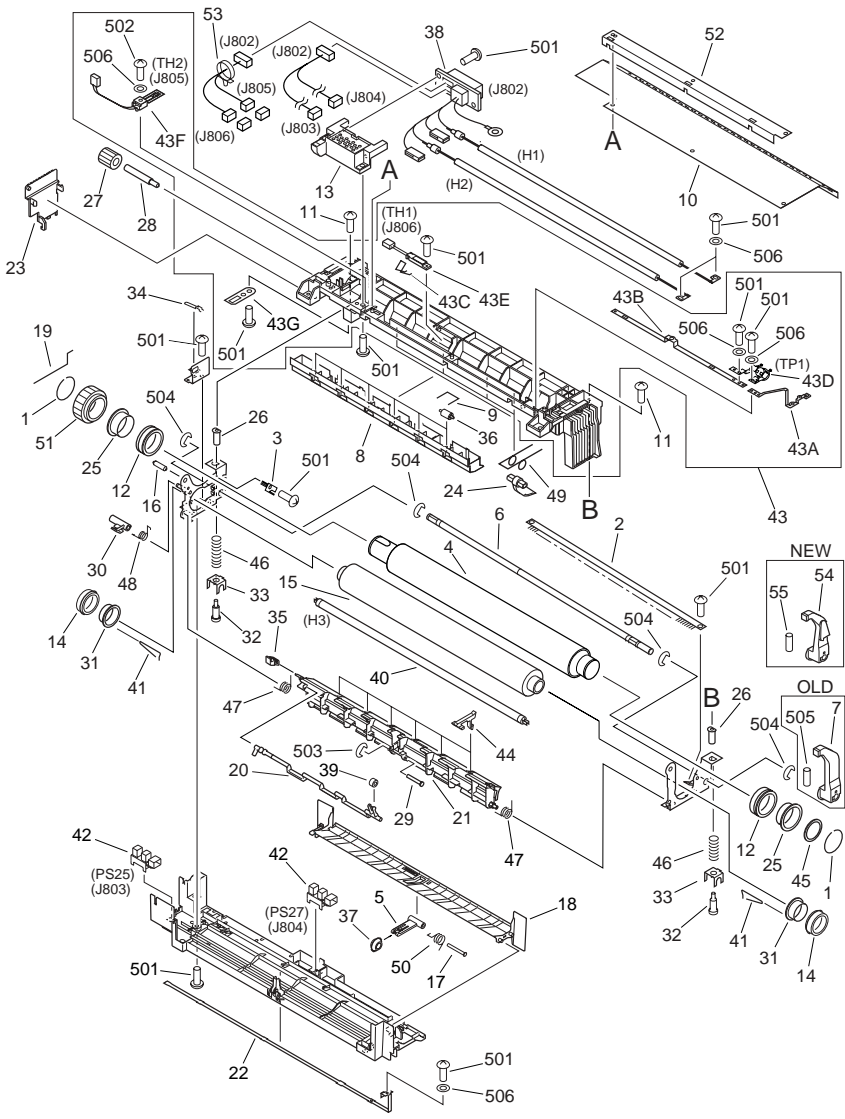


FIGURE & KEY NO.	PARTS NUMBER	R A N K	Q'TY	DESCRIPTION	SERIAL NUMBER/ REMARKS	S V C
Fig.810	FG6-9700-320		1	FIXING ASSEMBLY	100V	
Fig.810	FG6-9069-310		1	FIXING ASSEMBLY	120V	
Fig.810	FG6-9070-310		1	FIXING ASSEMBLY	220/240V	
1	FC6-7022-000		2	RING, RETAINING		
2	FB6-6642-000		1	ELIMINATOR, STATIC CHARGE		
3	FB6-6643-000		1	BRUSH, GROUNDING		
4	FC7-0605-000		1	ROLLER, FIXING		
5	FB6-3879-000		1	LEVER, INLET		
6	FB6-6557-020		1	SHAFT, PRESSURE RELEASE		
7	FB6-3644-000		1	LEVER, PRESSURE RELEASE	OLD	
8	FB6-3645-030		1	GUIDE, FIXING DELIVERY, UPPER		
9	FB6-3646-000		6	RETAINER, DELIVERY COLLAR		
10	FB6-3647-040		1	COVER, FIXING, UPPER		
11	XA9-1484-000		2	SCREW,TP,M4X20		
12	XG9-0477-000		2	BEARING, BALL		
13	FB6-3651-000		1	MOUNT, DRAWER		
14	XG9-0478-000		2	BEARING, BALL		
15	FC7-0606-000		1	ROLLER, PRESSURE		
16	FB6-3657-000		1	PIN, JOINT, FRONT		
17	FB6-3658-000		1	SHAFT, INLET LEVER		
18	FB6-3659-000		1	GUIDE, FIXING INLET		
19	FB6-3660-000		1	RETAINER, UPPER HEATER		
20	FB6-3662-010		1	LEVER, DELIVERY, 1		
21	FB6-3663-010		1	GUIDE, FIXING DELIVERY, LOWER		
22	FB6-3664-000		1	PLATE, CONDUCTIVE, 3		
23	FB6-3665-000		1	COVER, FIXING, REAR		
24	FB6-3666-000		4	CLAW, SEPARATION		
25	FB6-6519-000		2	BUSHING		
26	FB6-3668-000		2	SHAFT, PRESSURE, UPPER		
27	FA9-3941-000		1	GEAR, 20T		
28	FB6-3670-000		1	PIN, JOINT, REAR		
29	FB6-3671-000		1	SHAFT, LOWER GUIDE		

FIGURE & KEY NO.	PARTS NUMBER	R A N K	Q'TY	DESCRIPTION	SERIAL NUMBER/ REMARKS	S V C
30	FB6-3673-010		1	LEVER, INTERNAL DELIVERY, 2		
31	FA3-0652-000		2	BUSHING		
32	FB6-3675-020		2	SHAFT, PRESSURE, LOWER		
33	FB6-3676-000		2	PLATE, PRESSURE SLIDE		
34	FB6-3677-000		1	SPRING, GROUNDING		
35	FB6-3678-010		1	KNOB, GUIDE		
36	FB6-6381-000		6	ROLLER, FIXING DELIVERY		
37	FB6-3150-000		1	COLLAR, TRANSFER		
38	FG6-9644-020		1	FIXING DRAWER CABLE ASSEMBLY	100VH1,H2 J802	
38	FG6-9646-020		1	FIXING DRAWER CABLE ASSEMBLY	120VH1,H2 J802	
38	FG6-9647-020		1	FIXING DRAWER CABLE ASSEMBLY	220/240VH1,H2 J802	
39	FB6-7002-000		1	ROLLER, PAPER SENSOR		
40	FH7-4739-000		1	QUARTZ HEATER	H3	
41	FB6-4909-000		2	SPRING, GROUNDING		
42	FK2-0149-000		2	PHOTO-INTERRUPTER	PS25,27J803,804	
43	FG6-9645-070		1	UPPER FRAME ASSEMBLY		
43A	FB6-3649-030		1	PLATE, CONDUCTIVE, 1		
43B	FB6-3650-030		1	PLATE, CONDUCTIVE, 2		
43C	FB6-3669-000		1	RETAINER, THERMISTOR		
43D	FH7-6345-000		1	THERMOSTAT	TP1	
43E	FH7-7586-020		1	THERMISTOR UNIT	TH1 J806	
43F	FH7-7587-000		1	THERMISTOR UNIT	TH2 J805	
43G	FB6-3652-030		1	PLATE, FIXING		
44	FB6-3885-000		6	RIB, PAPER DELIVERY		
45	FS5-6947-000		1	SPACER		
46	FS7-2814-000		2	SPRING, COMPRESSION		
47	FC7-0611-000		2	SPRING, TORSION		
48	FS7-2816-000		1	SPRING, TORSION		
49	FS7-2817-000		4	SPRING, TORSION		
50	FS7-2852-000		1	SPRING, TORSION		
51	FA9-3942-000		1	GEAR, 45T		
52	FB6-3648-000		1	PLATE, COVER FIXING, UPPER		

FIGURE & KEY NO.	PARTS NUMBER	RANK	Q'TY	DESCRIPTION	SERIAL NUMBER/REMARKS	SVC
53	WT2-5639-000		1	CABLE CLIP		
54	FM1-0423-000		1	LEVER, PRESSURE RELEASE	NEW	
55	FB6-6558-000		1	PIN,DOWEL	NEW	
501	XB2-8300-807		AR	SCREW,W/WASHER,M3X8		
502	XB2-8301-207		AR	SCREW, W/WASHER, M3X12		
503	XD2-1100-322		AR	RING,E		
504	XD2-1100-642		AR	RING,E		
505	XD3-2300-142		1	PIN,DOWEL	OLD	
506	XD1-1104-138		AR	WASHER, SHIM MD4.1		
	FC7-0612-000		1	SPRING,TORSION		

FIGURE 900 CONTROLLER ASSEMBLY

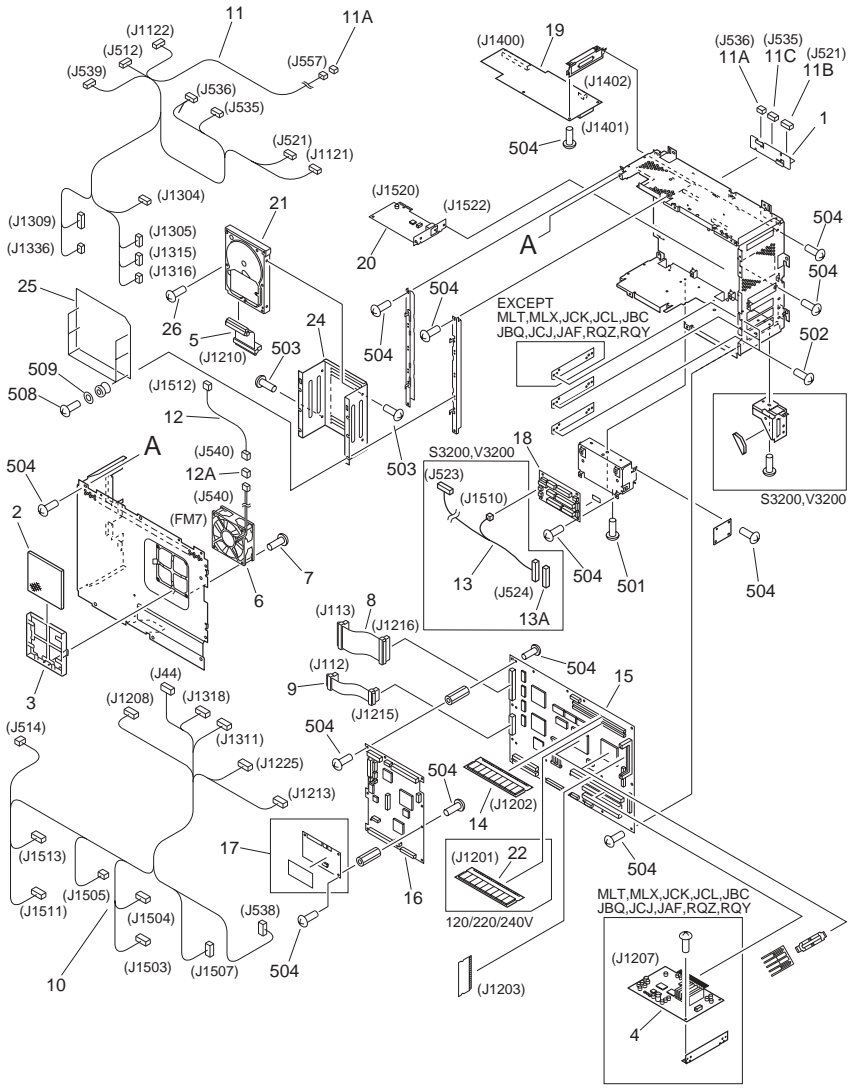


FIGURE & KEY NO.	PARTS NUMBER	RANK	Q'TY	DESCRIPTION	SERIAL NUMBER/REMARKS	SVC
Fig.900	NPN		RF	CONTROLLER ASSEMBLY		
1	FB6-3073-000		1	MOUNT, PANEL		
2	FB6-3076-000		1	FILTER, DUST		
3	FB6-3104-000		1	MOUNT, FILTER		
4	FG3-3809-000		1	UFR BOARD PCB ASSEMBLY	MLT,MLX,JCK,JCL,JBCJB Q,JCJ,JAF,RQZ,RQYJ120 7	
5	FH2-7043-000		1	FLAT CABLE, HDD, 2	J1210	
6	FH5-1111-000		1	FAN	FM7 J540	
7	XA9-0896-000		4	SCREW		
8	FG3-2362-000		1	FLAT CABLE, DDI-P, 1	J113,1216	
9	FG3-2363-000		1	FLAT CABLE, DDI-P, 2	J112,1215	
10	FG3-2644-000		1	CABLE, CONTROLLER-POWER SUPPLY	J44,514,538,1208,J1213,1 225,1311,1318J1503- 1505J1507,1511,1513	
11	FG3-2645-010		1	CABLE, CONTROLLER-I/O	J512,521,535,536,539J55 7,1121,1122,1304J1305,1 309,1315,1316J1336	
11A	VS1-7177-002		2	CONNECTOR, SNAP TIGHT	J536,557	
11B	VS1-7177-010		1	CONNECTOR, SNAP TIGHT	J521	
11C	VS1-7173-008		1	CONNECTOR, SNAP TIGHT	J535	
12	FG3-2646-030		1	CABLE, CONTROLLER-FAN	J540,1512	
12A	VS1-7177-003		1	CONNECTOR, SNAP TIGHT	J540	
13	FG3-3287-020		1	CABLE, COIN VENDER	S3200,V3200J523,524,15 10	
13A	VS1-7177-012		1	CONNECTOR, SNAP TIGHT	S3200,V3200J524	
14	WA7-4107-000		1	DIMM, SMS-51228QN2P-H, SD-RAM		
15	FG3-2854-010		1	MAIN CONTROLLER PCB ASSEMBLY	iR C3200Series	
15	FG3-3668-000		1	MAIN CONTROLLER PCB ASSEMBLY	iR C3220Series	
16	FG3-2855-000		1	SUB CONTROLLER BOARD ASSEMBLY		
17	FG3-3669-000		1	SRAM BOARD PCB ASSEMBLY		
18	FG6-9666-000		1	DISTRIBUTION BOARD ASSEMBLY	JLZ,JNL,JNC,JND,JNP,JN F,JNQ,JNJ,JNK,JNE,JPM, JNB,JPK,JPG,JPH,JPJ,JP F,JNL	

FIGURE & KEY NO.	PARTS NUMBER	RANK	Q'TY	DESCRIPTION	SERIAL NUMBER/REMARKS	SVC
18	FG6-9676-000		1	DISTRIBUTION BOARD ASSEMBLY	MLF,MLH,MLG,MLT,SSX,MSL,MSK,SSY,QLZ,RLZ,SLZ,TLZ,UKF,MSN,RQZ,JK,JBQ,JCJ,JAF,JCL,MLU,MLW,JFM,MLV,MLX,RQY	
19	FG3-3136-000		1	DDI-S BOARD PCB ASSEMBLY	J1400,1401,1402	
20	FM2-0537-000		1	NETWORK BOARD PCB ASSEMBLY	J1520,1522iR C3200 Series: SYSTEM V10.01/ BOOT V4.10 OR LATER	
20	FM2-3892-000		1	NETWORK BOARD PCB ASSEMBLY	J1520,1522iR C3200 Series: ALL VERSIONiR C3200 Series: SYSTEM V54.01/BOOT V6.06 OR LATER	
21	WM2-5248-000		1	HDD,WD800BB-22JHC0		
22	WA7-3158-000		1	DIMM, C256M6815SRN, SD-RAM	iR C3200Series120/220/ 240VJ1201	
24	FB6-3072-000		1	MOUNT, HARD DISK		
25	FB6-6382-000		1	SHIELD PLATE		
26	XB1-2300-409		6	SCREW,MACH.,TRUSS HEAD,M3X4		
501	XB1-2260-807		AR	SCREW,MACH.,TRUSS HEAD,M2.6X8		
502	XB1-2400-607		AR	SCREW,MACH.,TRUSS HEAD,M4X6		
503	XB1-2403-009		AR	SCREW,MACH.,TRUSS HEAD,M4X30		
504	XB6-7300-607		AR	SCREW,TP,M3X6		
508	XB6-7301-607		AR	SCREW,TP,M3X16		
509	XD1-1105-235		AR	SHIM		
IC1012	FH4-6250-000		1	IC, L7A1857, STANDARD CELL		
IC1015	FH4-6271-000		1	IC, L7A1863, STANDARD CELL		
	FB6-3071-000		2	SUPPORT, HARD DISK		

FIGURE 910 DC POWER SUPPLY ASSEMBLY

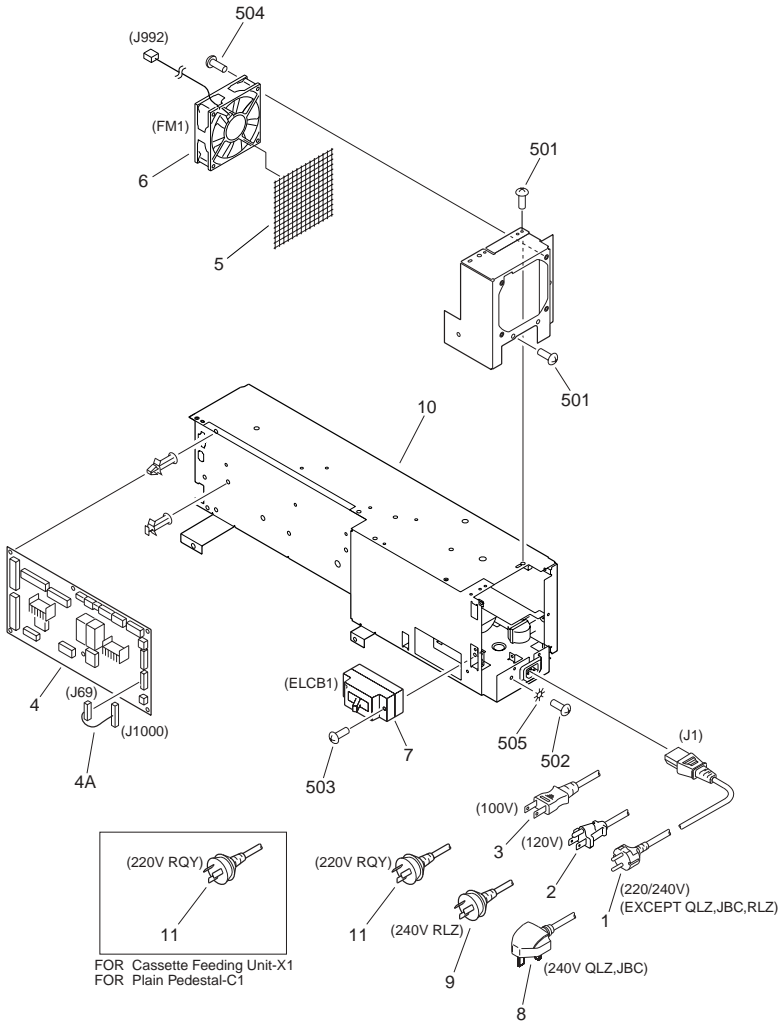
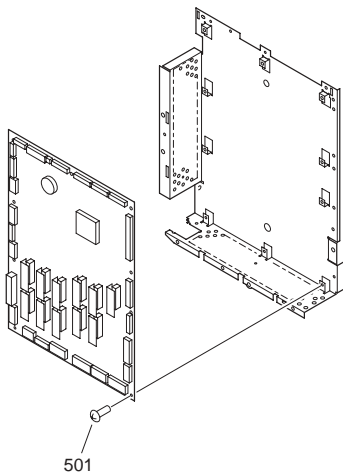


FIGURE & KEY NO.	PARTS NUMBER	RANK	Q'TY	DESCRIPTION	SERIAL NUMBER/REMARKS	SVC
Fig.910	NPN		RF	DC POWER SUPPLY ASSEMBLY		
1	FH2-7080-000		1	CORD, POWER SUPPLY	220/240V EXCEPT QLZ,JBC,RLZJ1	
2	FH2-6719-000		1	POWER CORD	120VJ1	
3	FH2-7078-000		1	POWER CORD	100VJ1	
4	FG3-3020-020		1	DC FUSE PCB ASSEMBLY		
4A	FF3-4436-020		1	CABLE, HEATER CONTROL	J69,1000	
5	FB6-3235-000		1	SHEET, MESH		
6	FH6-1979-030		1	FAN	FM1 J992	
7	FH7-7626-000		1	BREAKER, CIRCUIT	100/120VELCB1	
7	FH7-7625-030		1	BREAKER, CIRCUIT	220/240VELCB1	
8	FH2-7081-000		1	POWER CORD	240V QLZ,JBCJ1	
9	FH2-7082-000		1	POWER CORD	240V RLZJ1	
10	FM1-0408-040		1	DC POWER SUPPLY PCB ASSEMBLY	100/120V	
10	FM1-0409-060		1	DC POWER SUPPLY PCB ASSEMBLY	220/240V	
10	FM1-0408-040		1	DC POWER SUPPLY PCB ASSEMBLY	100/120V iR C3220 Series	
10	FM1-0409-060		1	DC POWER SUPPLY PCB ASSEMBLY	220/240V iR C3220 Series	
11	FH2-6488-000		2	CORD, POWER SUPPLY	220V RQY	
501	XB1-2300-607		AR	SCREW,MACH.,TRUSS HEAD,M3X6		
502	XB1-2400-603		AR	SCREW,MACH.,TRUSS HEAD,M4X6		
503	XB1-2402-007		AR	SCREW,MACH.,TRUSS HEAD,M4X20		
504	XB1-2403-007		AR	SCREW,MACH.,TRUSS HEAD, M4X30		
505	XD1-4200-402		AR	WASHER,TOOTHED LOCK		
	FM1-0418-000		1	SET, CIRCUIT BREAKER	100/120VELCB1	
	FM1-0419-000		1	SET, CIRCUIT BREAKER	220/240VELCB1	

FIGURE 930 DC CONTROLLER PCB ASSEMBLY



NOTE : This assembly does not include the part shown with key No. 501.

注：このユニットにKey No. 501の部品は含まれません。

FIGURE & KEY NO.	PARTS NUMBER	RANK	Q'TY	DESCRIPTION	SERIAL NUMBER/REMARKS	SVC
Fig.930	FG3-3011-020		1	DC CONTROLLER PCB ASSEMBLY		
501	XB1-2400-607		AR	SCREW,MACH.,TRUSS HEAD,M4X6	SEE NOTE	
IC24	FH4-6164-000		1	IC, KS4H3U2082CBP, GATE ARRAY		

FIGURE 980 H.V. TRANSFORMER PCB ASSEMBLY

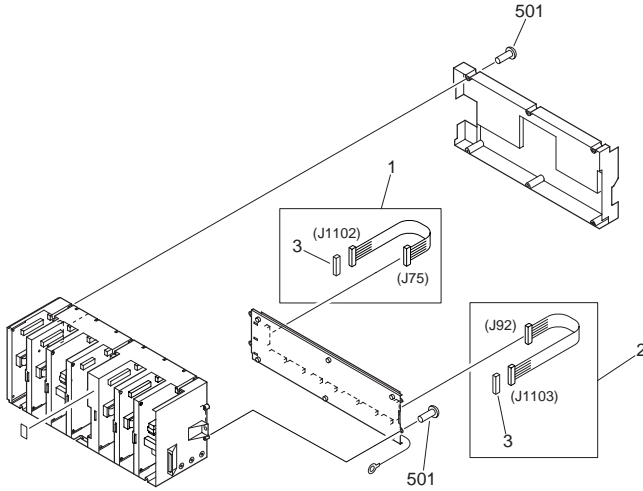


FIGURE & KEY NO.	PARTS NUMBER	RANK	Q'TY	DESCRIPTION	SERIAL NUMBER/REMARKS	SVC
Fig.980	FG6-9673-030		1	H.V.TRANSFORMER PCB ASSEMBLY		
1	FG3-2387-000		1	CABLE, H.V. 1-SUB	J75,1102	
2	FG3-2396-000		1	CABLE, H.V. 1-SUB, 2	J92,1103	
3	VS1-6318-020		2	CONNECTOR, SNAP TIGHT	J1102,1103	
501	XB4-5300-807		AR	SCREW,P,M3X8		

FIGURE 981 2ND TRANSFER H.V.T. PCB ASSEMBLY

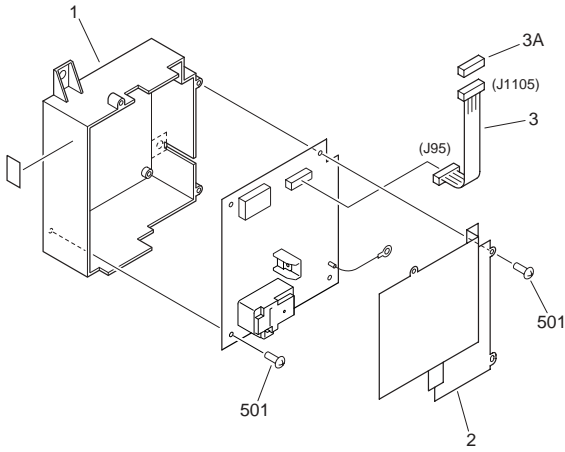
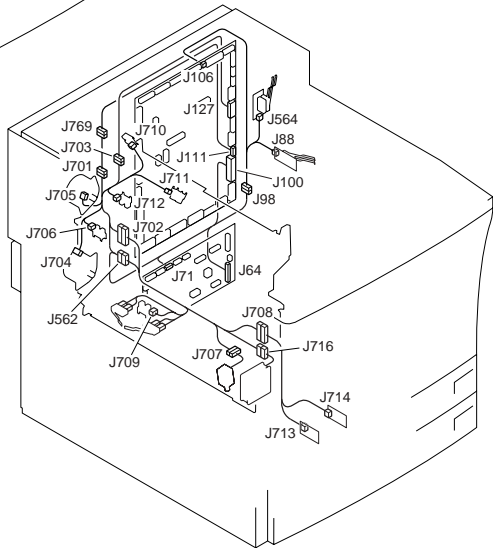
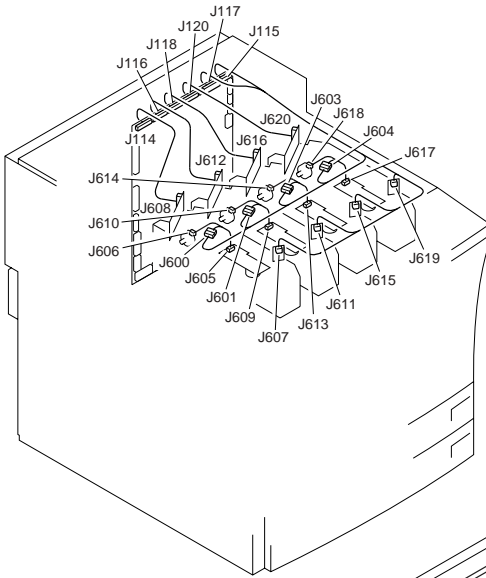
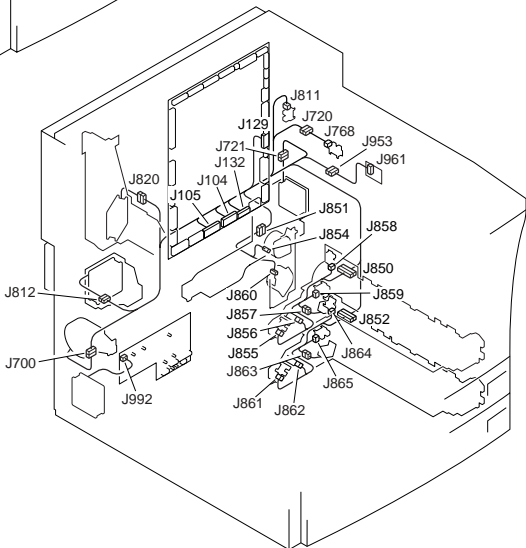
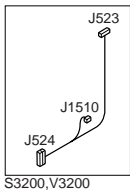
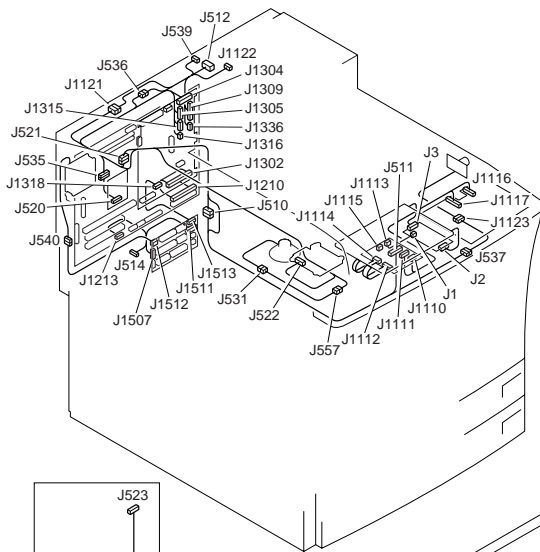
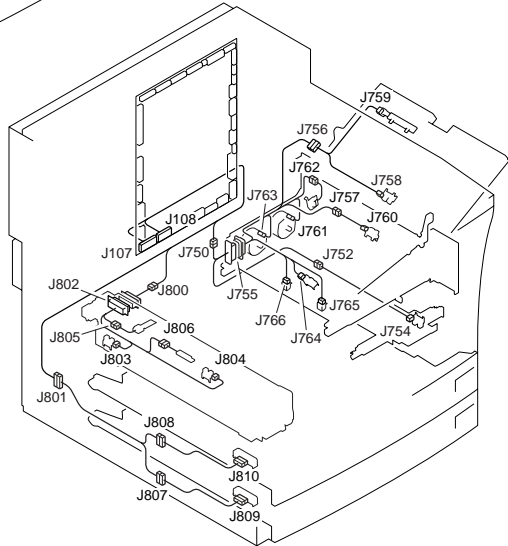
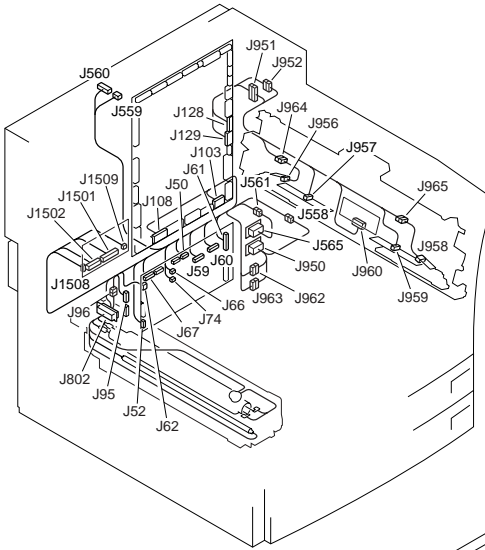


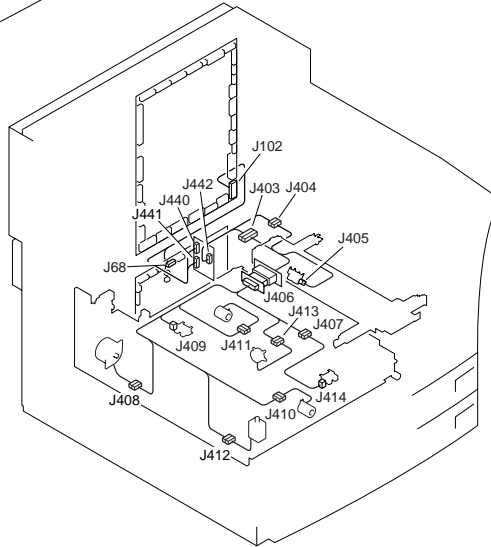
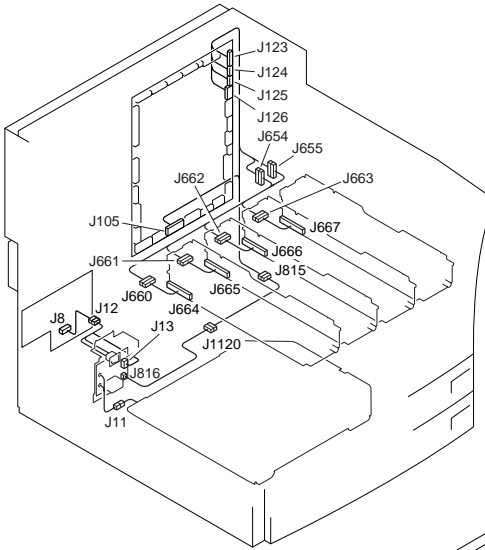
FIGURE & KEY NO.	PARTS NUMBER	RANK	Q'TY	DESCRIPTION	SERIAL NUMBER/REMARKS	SVC
Fig.981	FG6-9674-000		1	2ND. TRANSFER H.V.T. PCB ASS'Y		
1	FB6-3095-000		1	CASE, 2ND TRANSFER H.V.T.		
2	FB6-3096-000		1	COVER, 2ND TRANSFER H.V.T.		
3	FG3-2385-000		1	CABLE, H.V., 3	J95,1105	
3A	VS1-7173-010		1	CONNECTOR, SNAP TIGHT	J1105	
501	XB4-5300-807		AR	SCREW,P,M3X8		

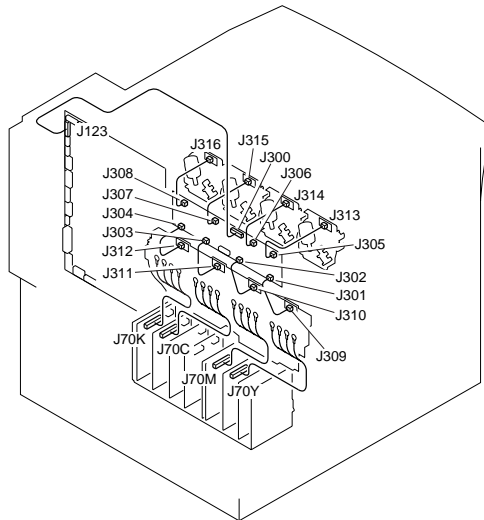
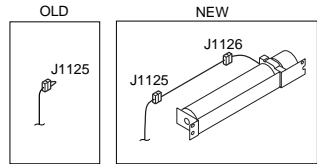
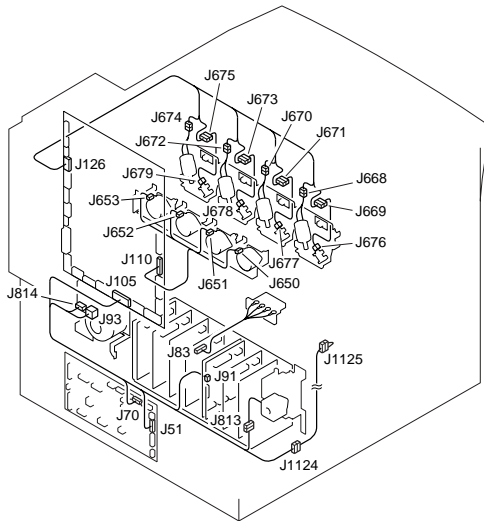
FIGURE B LIST OF CONNECTORS

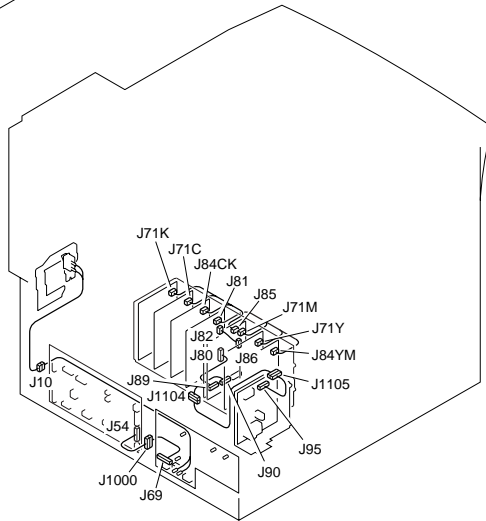
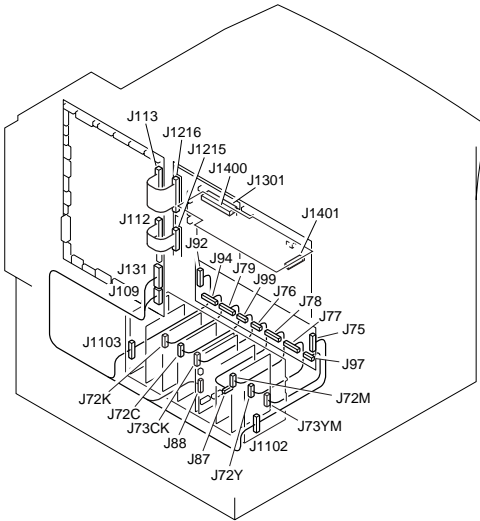












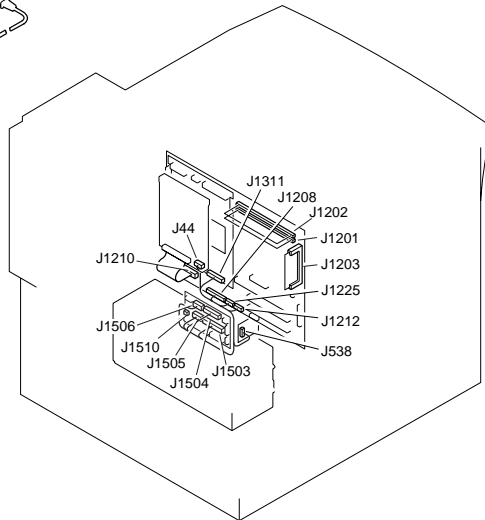
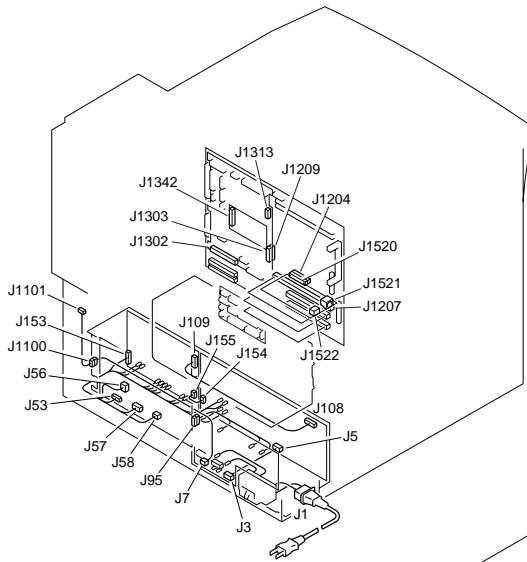


FIGURE & KEY NO.	PARTS NUMBER	RANK	Q'TY	DESCRIPTION	SERIAL NUMBER/REMARKS	SVC
Fig.B	NPN		RF	LIST OF CONNECTORS		
J1	PCB			INVERTER		
J1	VS1-6321-002		1	CONNECTOR, 2P, FEMALE		
J1	WS5-5074-000		1	CONNECTOR, INLET		
J2	PCB			INVERTER		
J2	NPN			LCD CONTROL PANEL		
J3	PCB			INVERTER		
J3	NPN			LCD CONTROL PANEL		
J3	PCB			HEATER DRIVER BOARD		
J3	VS3-5084-003		1	CONNECTOR, 3P, FEMALE		
J3	WS3-5159-000		2	PIN CONTACT, 18-22AWG		
J5	PCB			DCP1		
J5	VS3-5083-003		1	CONNECTOR, 3P, FEMALE		
J5	WS3-5160-000		2	SOCKET CONTACT, 18-24AWG		
J7	PCB			HEATER DRIVER BOARD		
J7	VS3-5084-002		1	CONNECTOR, 2P, FEMALE		
J7	WS3-5159-000		2	PIN CONTACT, 18-22AWG		
J8	PCB			HEATER DRIVER BOARD		
J8	VS3-5084-004		1	CONNECTOR, 4P, FEMALE		
J8	WS3-5159-000		2	PIN CONTACT, 18-22AWG		
J10	VS1-6380-002		1	CONNECTOR, 2P, MALE		
J10	VS3-5121-002		1	CONNECTOR, 2P, MALE		
J10	WS3-5291-000		2	PIN CONTACT		
J10	WS3-5292-000		2	SOCKET CONTACT		
J11	PCB			CASSETTE HEATER		
J11	NPN			CASSETTE HEATER		
J12	VS4-0001-003		1	CONNECTOR, 3P, MALE		
J12	VS4-0002-003		1	CONNECTOR, 3P, FEMALE		
J12	WS4-0217-000		2	SOCKET CONTACT, 22-18AWG		
J12	WS4-0219-000		2	PIN CONTACT, 18-22AWG		
J13	PCB			CASSETTE HEATER		
J13	VS4-0002-003		1	CONNECTOR, 3P, FEMALE		

FIGURE & KEY NO.	PARTS NUMBER	R A N K	Q'TY	DESCRIPTION	SERIAL NUMBER/ REMARKS	S V C
J13	WS4-0217-000		2	SOCKET CONTACT, 22-18AWG		
J44	NPN			HARD DISC 0		
J44	X62-5133-000		4	SOCKET, MATE-N-LOCK		
J44	X65-5854-000		1	CONNECTOR, 4P, FEMALE		
J50	PCB			FUSE BOARD		
J50	VS1-6314-005		1	CONNECTOR, 5P, FEMALE		
J51	PCB			FUSE BOARD		
J51	VS1-6314-014		1	CONNECTOR, 14P, MALE		
J52	PCB			FUSE BOARD		
J52	VS3-5080-002		1	CONNECTOR, 2P, MALE		
J52	WT1-5155-000		2	TERMINAL		
J53	PCB			FUSE BOARD		
J53	VS1-7178-009		1	CONNECTOR, 9P, FEMALE		
J54	PCB			FUSE BOARD		
J54	VS1-5976-012		1	CONNECTOR, 12P, FEMALE		
J56	PCB			FUSE BOARD		
J56	VS1-6380-006		1	CONNECTOR, 6P, MALE		
J56	WS3-5292-000		6	SOCKET CONTACT		
J57	PCB			FUSE BOARD		
J57	VS1-6380-003		1	CONNECTOR, 3P, FEMALE		
J57	WS3-5292-000		2	SOCKET CONTACT		
J58	PCB			FUSE BOARD		
J58	VS1-6380-004		1	CONNECTOR, 4P, MALE		
J58	WS3-5292-000		4	SOCKET CONTACT		
J59	PCB			FUSE BOARD		
J59	VS1-6361-006		1	CONNECTOR, 6P, MALE		
J59	WS3-5592-000		6	SOCKET CONTACT, 16-18AWG		
J60	PCB			FUSE BOARD		
J60	VS1-6361-008		1	CONNECTOR, 8P, MALE		
J60	WS3-5592-000		8	SOCKET CONTACT, 16-18AWG		
J61	PCB			FUSE BOARD		
J61	VS1-6302-014		1	CONNECTOR, 14P, MALE		

FIGURE & KEY NO.	PARTS NUMBER	RANK	Q'TY	DESCRIPTION	SERIAL NUMBER/REMARKS	SVC
J61	WS3-5680-000		12	SOCKET CONTACT, 20-24AWG		
J62	PCB			FUSE BOARD		
J62	VS3-5083-002		1	CONNECTOR, 2P, FEMALE		
J62	WS3-5160-000		2	SOCKET CONTACT, 18-24AWG		
J64	PCB			FUSE BOARD		
J64	VS3-5083-012		1	CONNECTOR, 12P, FEMALE		
J64	WS3-5160-000		12	SOCKET CONTACT, 18-24AWG		
J66	PCB			FUSE BOARD		
J66	VS1-5824-002		1	CONNECTOR, 2P, FEMALE		
J66	WS3-5358-000		2	SOCKET CONTACT, 22-26AWG		
J67	PCB			FUSE BOARD		
J67	VS3-5083-005		1	CONNECTOR, 5P, FEMALE		
J67	WS3-5160-000		4	SOCKET CONTACT, 18-24AWG		
J68	PCB			FUSE BOARD		
J68	VS1-6302-004		1	CONNECTOR, 4P, MALE		
J68	WS3-5680-000		4	SOCKET CONTACT, 20-24AWG		
J69	PCB			HEATER DRIVER BOARD		
J69	VS1-5976-012		1	CONNECTOR, 12P, FEMALE		
J70	PCB			FUSE BOARD		
J70	VS1-6361-004		1	CONNECTOR, 4P, MALE		
J70	WS3-5759-000		4	PIN CONTACT		
J70C	PCB			HVT1	CYAN	
J70C	VS3-5083-013		1	CONNECTOR, 13P, FEMALE	CYAN	
J70C	WS3-5160-000		4	SOCKET CONTACT, 18-24AWG	CYAN	
J70K	PCB			HVT1	BLACK	
J70K	VS3-5083-013		1	CONNECTOR, 13P, FEMALE	BLACK	
J70K	WS3-5160-000		4	SOCKET CONTACT, 18-24AWG	BLACK	
J70M	PCB			HVT1	MAGENTA	
J70M	VS3-5083-013		1	CONNECTOR, 13P, FEMALE	MAGENTA	
J70M	WS3-5160-000		4	SOCKET CONTACT, 18-24AWG	MAGENTA	
J70Y	PCB			HVT1	YELLOW	
J70Y	VS3-5083-013		1	CONNECTOR, 13P, FEMALE	YELLOW	

FIGURE & KEY NO.	PARTS NUMBER	R A N K	Q'TY	DESCRIPTION	SERIAL NUMBER/REMARKS	S V C
J70Y	WS3-5160-000		4	SOCKET CONTACT, 18-24AWG	YELLOW	
J71	PCB			FUSE BOARD		
J71	VS1-6302-006		1	CONNECTOR, 6P, MALE		
J71	WS3-5569-000		4	PIN, CONTACT		
J71C	PCB			HVT1	CYAN	
J71C	VS3-5083-003		1	CONNECTOR, 3P, FEMALE	CYAN	
J71C	WS3-5160-000		2	SOCKET CONTACT, 18-24AWG	CYAN	
J71K	PCB			HVT1	BLACK	
J71K	VS3-5083-003		1	CONNECTOR, 3P, FEMALE	BLACK	
J71K	WS3-5160-000		2	SOCKET CONTACT, 18-24AWG	BLACK	
J71M	PCB			HVT1	MAGENTA	
J71M	VS3-5083-003		1	CONNECTOR, 3P, FEMALE	MAGENTA	
J71M	WS3-5160-000		2	SOCKET CONTACT, 18-24AWG	MAGENTA	
J71Y	PCB			HVT1	YELLOW	
J71Y	VS3-5083-003		1	CONNECTOR, 3P, FEMALE	YELLOW	
J71Y	WS3-5160-000		2	SOCKET CONTACT, 18-24AWG	YELLOW	
J72C	PCB			HVT1	CYAN	
J72C	VS1-6314-016		1	CONNECTOR, 16P, FEMALE	CYAN	
J72K	PCB			HVT1	BLACK	
J72K	VS1-6314-016		1	CONNECTOR, 16P, FEMALE	BLACK	
J72M	PCB			HVT1	MAGENTA	
J72M	VS1-6314-016		1	CONNECTOR, 16P, FEMALE	MAGENTA	
J72Y	PCB			HVT1	YELLOW	
J72Y	VS1-6314-016		1	CONNECTOR, 16P, FEMALE	YELLOW	
J73CK	PCB			HVT4	CYAN/BLACK	
J73CK	VS1-6314-010		1	CONNECTOR, 10P, FEMALE	CYAN/BLACK	
J73YM	PCB			HVT4	YELLOW/MAGENTA	
J73YM	VS1-6314-010		1	CONNECTOR, 10P, FEMALE	YELLOW/MAGENTA	
J74	PCB			FUSE BOARD		
J74	VS1-5824-002		1	CONNECTOR, 2P, FEMALE		
J74	WS3-5358-000		2	SOCKET CONTACT, 22-26AWG		
J75	PCB			HVT1-SUB		

FIGURE & KEY NO.	PARTS NUMBER	RANK	Q'TY	DESCRIPTION	SERIAL NUMBER/REMARKS	SVC
J75	VS1-6314-020		1	CONNECTOR, 20P, FEMALE		
J76	PCB			HVT1-SUB		
J76	VS1-6314-012		1	CONNECTOR, 12P, FEMALE		
J77	PCB			HVT1-SUB		
J77	VS1-6314-016		1	CONNECTOR, 16P, FEMALE		
J78	PCB			HVT1-SUB		
J78	VS1-6314-016		1	CONNECTOR, 16P, FEMALE		
J79	PCB			HVT1-SUB		
J79	VS1-6314-016		1	CONNECTOR, 16P, FEMALE		
J80	PCB			HVT2		
J80	VS1-6314-013		1	CONNECTOR, 13P, FEMALE		
J81	PCB			HVT2		
J81	VS3-5083-004		1	CONNECTOR, 4P, FEMALE		
J81	WS3-5160-000		3	SOCKET CONTACT, 18-24AWG		
J82	PCB			HVT2		
J82	VS3-5083-005		1	CONNECTOR, 5P, FEMALE		
J82	WS3-5160-000		3	SOCKET CONTACT, 18-24AWG		
J83	PCB			HVT2		
J83	VS3-5083-007		1	CONNECTOR, 7P, FEMALE		
J83	WS3-5160-000		4	SOCKET CONTACT, 18-24AWG		
J84CK	PCB			HVT4	CYAN/BLACK	
J84CK	VS3-5083-005		1	CONNECTOR, 5P, FEMALE	CYAN/BLACK	
J84CK	WS3-5160-000		3	SOCKET CONTACT, 18-24AWG	CYAN/BLACK	
J84YM	PCB			HVT4	YELLOW/MAGENTA	
J84YM	VS3-5083-005		1	CONNECTOR, 5P, FEMALE	YELLOW/MAGENTA	
J84YM	WS3-5160-000		3	SOCKET CONTACT, 18-24AWG	YELLOW/MAGENTA	
J85	PCB			HVT2-SUB		
J85	VS3-5083-004		1	CONNECTOR, 4P, FEMALE		
J85	WS3-5160-000		3	SOCKET CONTACT, 18-24AWG		
J86	PCB			HVT2-SUB		
J86	VS3-5083-005		1	CONNECTOR, 5P, FEMALE		
J86	WS3-5160-000		3	SOCKET CONTACT, 18-24AWG		

FIGURE & KEY NO.	PARTS NUMBER	RANK	Q'TY	DESCRIPTION	SERIAL NUMBER/REMARKS	SVC
J87	PCB			HVT2-SUB		
J87	VS1-6314-012		1	CONNECTOR, 12P, FEMALE		
J88	PCB			MICRO SWITCH		
J88	WS3-5358-000		2	SOCKET CONTACT, 22-26AWG		
J88	VS1-5824-003		1	CONNECTOR, 3P, FEMALE		
J88	PCB			HVT2-SUB		
J88	VS1-6314-020		1	CONNECTOR, 20P, FEMALE		
J89	PCB			HVT2-SUB		
J89	VS1-6314-013		1	CONNECTOR, 13P, FEMALE		
J90	PCB			HVT2-SUB		
J90	VS1-6314-010		1	CONNECTOR, 10P, FEMALE		
J91	PCB			HV2-SUB		
J91	VS1-6302-002		1	CONNECTOR, 2P, MALE		
J91	WS3-5680-000		2	SOCKET CONTACT, 20-24AWG		
J92	PCB			HVT1-SUB		
J92	VS1-6313-020		1	CONNECTOR, 20P, FEMALE		
J93	NPN			DRUM ITB MOTOR	M1	
J93	VS1-6361-002		1	CONNECTOR, 2P, MALE		
J93	WS3-5759-000		2	PIN CONTACT		
J94	PCB			HVT1-SUB		
J94	VS1-6314-016		1	CONNECTOR, 16P, FEMALE		
J95	PCB			HVT3		
J95	VS1-6314-010		1	CONNECTOR, 10P, FEMALE		
J95	VS1-6380-003		1	CONNECTOR, 3P, FEMALE		
J95	VS3-5121-003		1	CONNECTOR, 3P, MALE		
J95	WS3-5291-000		3	PIN CONTACT		
J95	WS3-5292-000		3	SOCKET CONTACT		
J96	VS1-5729-002		1	CONNECTOR, 2P, MALE		
J96	VS3-5083-002		1	CONNECTOR, 2P, FEMALE		
J96	WS3-5160-000		2	SOCKET CONTACT, 18-24AWG		
J96	WS3-5301-000		2	PIN CONTACT		
J97	PCB			HVT1-SUB		

FIGURE & KEY NO.	PARTS NUMBER	R A N K	Q'TY	DESCRIPTION	SERIAL NUMBER/ REMARKS	S V C
J97	VS1-6314-010		1	CONNECTOR, 10P, FEMALE		
J98	VS1-7440-006		1	CONNECTOR, SNAP TIGHT		
J98	VS1-5824-006		2	CONNECTOR, 6P, FEMALE		
J98	WS3-5358-000		8	SOCKET CONTACT, 22-26AWG		
J99	PCB			HVT1-SUB		
J99	VS1-6314-010		1	CONNECTOR, 10P, FEMALE		
J100	PCB			DC CONTROLLER		
J100	VS3-5083-012		1	CONNECTOR, 12P, FEMALE		
J100	WS3-5160-000		12	SOCKET CONTACT, 18-24AWG		
J102	PCB			DC CONTROLLER		
J102	VS1-6313-013		1	CONNECTOR, 13P, FEMALE		
J102	VS1-6314-013		1	CONNECTOR, 13P, FEMALE		
J102	VT2-5161-026		1	HOLDER, CONNECTOR, 26P		
J103	PCB			DC CONTROLLER		
J103	VS1-5452-007		1	CONNECTOR, 7P, FEMALE		
J103	VS1-6084-007		1	CONNECTOR, 7P, FEMALE		
J103	VS1-6197-014		1	CONNECTOR HOUSING		
J104	PCB			DC CONTROLLER		
J104	VS1-6313-014		1	CONNECTOR, 14P, FEMALE		
J104	VS1-6314-014		1	CONNECTOR, 14P, MALE		
J104	VT2-5161-028		1	HOLDER, CONNECTOR, 28P		
J105	PCB			DC CONTROLLER		
J105	VS1-6313-017		1	CONNECTOR, 17P, FEMALE		
J105	VS1-6314-017		1	CONNECTOR, 17P, FEMALE		
J105	VT2-5161-034		1	HOLDER, CONNECTOR, 34P		
J106	PCB			DC CONTROLLER		
J106	VS1-5824-002		1	CONNECTOR, 2P, FEMALE		
J106	WS3-5358-000		2	SOCKET CONTACT, 22-26AWG		
J107	PCB			DC CONTROLLER		
J107	VS1-6313-016		1	CONNECTOR, 16P, FEMALE		
J107	VS1-6314-016		1	CONNECTOR, 16P, FEMALE		
J107	VT2-5161-032		1	HOLDER, CONNECTOR, 32P		

FIGURE & KEY NO.	PARTS NUMBER	RANK	Q'TY	DESCRIPTION	SERIAL NUMBER/REMARKS	SVC
J108	PCB			DGP1		
J108	WS3-5231-000		5	PIN CONTACT		
J108	VS3-0276-007		1	CONNECTOR, 7P, FEMALE		
J108	PCB			DC CONTROLLER		
J108	VT2-5161-026		1	HOLDER, CONNECTOR, 26P		
J108	VS1-6313-013		1	CONNECTOR, 13P, FEMALE		
J108	VS1-6314-013		1	CONNECTOR, 13P, FEMALE		
J109	PCB			DGP2		
J109	WS3-5569-000		5	PIN, CONTACT		
J109	VS1-6302-007		1	CONNECTOR, 7P, FEMALE		
J109	PCB			DC CONTROLLER		
J109	VT2-5161-022		1	HOLDER, CONNECTOR, 22P		
J109	VS1-6313-011		1	CONNECTOR, 11P, FEMALE		
J109	VS1-6314-011		1	CONNECTOR, 11P, FEMALE		
J110	PCB			DC CONTROLLER		
J110	VS1-6314-016		1	CONNECTOR, 16P, FEMALE		
J111	PCB			DC CONTROLLER		
J111	VS1-6314-008		1	CONNECTOR, 8P, FEMALE		
J112	PCB			DC CONTROLLER		
J113	PCB			DC CONTROLLER		
J113	VS1-6407-080		1	CONNECTOR, 80P, FEMALE		
J114	PCB			DC CONTROLLER		
J114	VS1-5824-013		1	CONNECTOR, 13P, FEMALE		
J114	WS3-5358-000		12	SOCKET CONTACT, 22-26AWG		
J115	PCB			DC CONTROLLER		
J115	VS1-7208-012		1	CONNECTOR, 12P, FEMALE		
J116	PCB			DC CONTROLLER		
J116	VS1-5824-012		1	CONNECTOR, 12P		
J116	WS3-5358-000		12	SOCKET CONTACT, 22-26AWG		
J117	PCB			DC CONTROLLER		
J117	VS1-7208-018		1	CONNECTOR, 18P, FEMALE		
J117	VS1-6226-036		1	HOLDER, CONNECTOR, 36P		

FIGURE & KEY NO.	PARTS NUMBER	RANK	Q'TY	DESCRIPTION	SERIAL NUMBER/REMARKS	SVC
J117	VS1-6507-018		1	CONNECTOR, 18P, FEMALE		
J118	PCB			DC CONTROLLER		
J118	VS1-5824-013		1	CONNECTOR, 13P, FEMALE		
J118	WS3-5358-000		12	SOCKET CONTACT, 22-26AWG		
J120	PCB			DC CONTROLLER		
J120	VS1-5824-012		1	CONNECTOR, 12P		
J120	WS3-5358-000		12	SOCKET CONTACT, 22-26AWG		
J123	PCB			DC CONTROLLER		
J123	VS1-6314-014		1	CONNECTOR, 14P, MALE		
J124	PCB			DC CONTROLLER		
J124	VS1-6930-008		1	CONNECTOR, 8P, FEMALE		
J125	PCB			DC CONTROLLER		
J125	VS1-6930-009		1	CONNECTOR, 9P, FEMALE		
J126	PCB			DC CONTROLLER		
J126	VS1-6313-010		1	CONNECTOR, 10P, FEMALE		
J126	VS1-6314-010		1	CONNECTOR, 10P, FEMALE		
J126	VT2-5161-020		1	HOLDER, CONNECTOR, 20P		
J127	PCB			DC CONTROLLER		
J127	VS1-6313-013		1	CONNECTOR, 13P, FEMALE		
J127	VS1-6314-013		1	CONNECTOR, 13P, FEMALE		
J127	VT2-5161-026		1	HOLDER, CONNECTOR, 26P		
J128	PCB			DC CONTROLLER		
J128	VS1-6314-014		1	CONNECTOR, 14P, MALE		
J129	PCB			DC CONTROLLER		
J129	VS1-6313-010		1	CONNECTOR, 10P, FEMALE		
J129	VS1-6314-010		1	CONNECTOR, 10P, FEMALE		
J129	VT2-5161-020		1	HOLDER, CONNECTOR, 20P		
J131	PCB			DC CONTROLLER		
J131	VS1-6313-020		1	CONNECTOR, 20P, FEMALE		
J131	VS1-6314-020		1	CONNECTOR, 20P, FEMALE		
J131	VT2-5161-040		1	HOLDER, CONNECTOR, 40P		
J132	PCB			DC CONTROLLER		

FIGURE & KEY NO.	PARTS NUMBER	RANK	Q'TY	DESCRIPTION	SERIAL NUMBER/REMARKS	SVC
J132	VS1-6314-014		1	CONNECTOR, 14P, MALE		
J153	PCB			DCP2		
J153	VS1-5976-009		1	CONNECTOR, 9P, FEMALE		
J154	PCB			DCP1		
J154	VS1-5976-004		1	CONNECTOR, 4P, MALE		
J155	PCB			DCP2		
J155	VS1-7178-004		1	CONNECTOR, 4P, FEMALE		
J300	PCB			MEMORY SWITCH		
J300	VS1-6314-014		1	CONNECTOR, 14P, MALE		
J301	PCB			MEMORY SWITCH		
J301	VS1-7178-003		1	CONNECTOR, 3P, FEMALE		
J302	PCB			MEMORY SWITCH		
J302	VS1-7178-003		1	CONNECTOR, 3P, FEMALE		
J303	PCB			MEMORY SWITCH		
J303	VS1-7178-003		1	CONNECTOR, 3P, FEMALE		
J304	PCB			MEMORY SWITCH		
J304	VS1-7178-003		1	CONNECTOR, 3P, FEMALE		
J305	PCB			MEMORY SWITCH		
J305	VS1-7178-003		1	CONNECTOR, 3P, FEMALE		
J306	PCB			MEMORY SWITCH		
J306	VS1-7178-003		1	CONNECTOR, 3P, FEMALE		
J307	PCB			MEMORY SWITCH		
J307	VS1-7178-003		1	CONNECTOR, 3P, FEMALE		
J308	PCB			MEMORY SWITCH		
J308	VS1-7178-003		1	CONNECTOR, 3P, FEMALE		
J309	NPN			DRUM UNIT ANTENNA	YELLOW	
J309	VS1-7208-003		1	CONNECTOR, 3P, FEMALE	YELLOW	
J310	NPN			DRUM UNIT ANTENNA	MAGENTA	
J310	VS1-7208-003		1	CONNECTOR, 3P, FEMALE	MEGENTA	
J311	NPN			DRUM UNIT ANTENNA	CYAN	
J311	VS1-7208-003		1	CONNECTOR, 3P, FEMALE	CYAN	
J312	NPN			DRUM UNIT ANTENNA	BLACK	

FIGURE & KEY NO.	PARTS NUMBER	RANK	Q'TY	DESCRIPTION	SERIAL NUMBER/REMARKS	SVC
J312	VS1-7208-003		1	CONNECTOR, 3P, FEMALE	BLACK	
J313	NPN			TONER CARTRIDGE ANTENNA	YELLOW	
J313	VS1-7178-003		1	CONNECTOR, 3P, FEMALE	YELLOW	
J314	NPN			TONER CARTRIDGE ANTENNA	MAGENTA	
J314	VS1-7178-003		1	CONNECTOR, 3P, FEMALE	MAGENTA	
J315	NPN			TONER CARTRIDGE ANTENNA	CYAN	
J315	VS1-7178-003		1	CONNECTOR, 3P, FEMALE	CYAN	
J316	NPN			TONER CARTRIDGE ANTENNA	BLACK	
J316	VS1-7178-003		1	CONNECTOR, 3P, FEMALE	BLACK	
J403	VS1-6313-013		2	CONNECTOR, 13P, FEMALE	DUPLEX TYPE	
J403	VS1-6314-013		2	CONNECTOR, 13P, FEMALE	DUPLEX TYPE	
J403	VS1-6319-026		1	CONNECTOR, SNAP TIGHT	DUPLEX TYPE	
J403	VT2-5161-026		2	HOLDER, CONNECTOR, 26P	DUPLEX TYPE	
J404	VS1-6314-004		2	CONNECTOR, 4P, FEMALE	DUPLEX TYPE	
J404	VS1-7173-004		1	CONNECTOR, SNAP TIGHT	DUPLEX TYPE	
J405	NPN			DUPLEXING PICK-UP SENSOR	DUPLEX TYPEPS24	
J405	VS1-6321-003		1	CONNECTOR, 3P, FEMALE	DUPLEX TYPE	
J406	VS1-6313-012		2	CONNECTOR, 12P, FEMALE	DUPLEX TYPE	
J406	VS1-6314-013		2	CONNECTOR, 13P, FEMALE	DUPLEX TYPE	
J406	VS1-6919-025		1	CONNECTOR, DRAWER	DUPLEX TYPE	
J407	VS1-7177-003		1	CONNECTOR, SNAP TIGHT	DUPLEX TYPE	
J407	VS1-5824-003		1	CONNECTOR, 3P, FEMALE	DUPLEX TYPE	
J407	VS1-6321-003		1	CONNECTOR, 3P, FEMALE	DUPLEX TYPE	
J407	WS3-5358-000		3	SOCKET CONTACT, 22-26AWG	DUPLEX TYPE	
J408	NPN			DUPLEXING FEED MOTOR	DUPLEX TYPEM26	
J408	VS1-6321-005		1	CONNECTOR, 5P, FEMALE	DUPLEX TYPE	
J409	NPN			DUPLEXING REGIST SENSOR	DUPLEX TYPEPS21	
J409	VS1-6321-003		1	CONNECTOR, 3P, FEMALE	DUPLEX TYPE	
J410	NPN			DUPLEXING REGIST CLUTCH	DUPLEX TYPECL1	
J410	VS1-7177-002		1	CONNECTOR, SNAP TIGHT	DUPLEX TYPE	
J410	VS1-6321-002		1	CONNECTOR, 2P, FEMALE	DUPLEX TYPE	
J411	NPN			DUPLEXING PICK-UP CLUTCH	DUPLEX TYPECL2	

FIGURE & KEY NO.	PARTS NUMBER	RANK	Q'TY	DESCRIPTION	SERIAL NUMBER/REMARKS	SVC
J411	VS1-7177-002		1	CONNECTOR, SNAP TIGHT	DUPLEX TYPE	
J411	VS1-6321-002		1	CONNECTOR, 2P, FEMALE	DUPLEX TYPE	
J412	NPN			CROSS PASS SOLENOID 2	DUPLEX TYPESL5	
J412	VS1-7177-002		1	CONNECTOR, SNAP TIGHT	DUPLEX TYPE	
J412	VS1-6321-002		1	CONNECTOR, 2P, FEMALE	DUPLEX TYPE	
J413	NPN			SIDE REGIST MOTOR	DUPLEX TYPE M25	
J413	VS1-7440-006		1	CONNECTOR, SNAP TIGHT	DUPLEX TYPE	
J413	VS1-6321-006		1	CONNECTOR, 6P, FEMALE	DUPLEX TYPE	
J414	NPN			DUPLEXING SIDE REGIST SENSOR	DUPLEX TYPEPS22	
J414	VS1-5824-003		1	CONNECTOR, 3P, FEMALE	DUPLEX TYPE	
J414	WS3-5358-000		3	SOCKET CONTACT, 22-26AWG	DUPLEX TYPE	
J440	PCB			DUPLEX BOARD	DUPLEX TYPE	
J440	VS1-6302-004		1	CONNECTOR, 4P, MALE		
J440	WS3-5680-000		4	SOCKET CONTACT, 20-24AWG		
J441	PCB			DUPLEX DRIVER	DUPLEX TYPE	
J441	VS1-6313-013		1	CONNECTOR, 13P, FEMALE		
J441	VS1-6314-013		1	CONNECTOR, 13P, FEMALE		
J441	VT2-5161-026		1	HOLDER, CONNECTOR, 26P		
J442	PCB			DUPLEX DRIVER	DUPLEX TYPE	
J442	VS1-6313-014		1	CONNECTOR, 14P, FEMALE	DUPLEX TYPE	
J442	VS1-6314-014		1	CONNECTOR, 14P, MALE	DUPLEX TYPE	
J442	VT2-5161-028		1	HOLDER, CONNECTOR, 28P	DUPLEX TYPE	
J510	VS1-6313-018		2	CONNECTOR, 18P, FEMALE		
J510	VS1-6314-018		2	CONNECTOR, 18P, MALE		
J510	VS1-6319-036		1	CONNECTOR, SNAP TIGHT		
J510	VT2-5161-036		2	HOLDER, CONNECTOR, 36P		
J511	PCB			OPERATION CPU		
J511	VS1-6313-018		1	CONNECTOR, 18P, FEMALE		
J511	VS1-6314-018		1	CONNECTOR, 18P, MALE		
J511	VT2-5161-036		1	HOLDER, CONNECTOR, 36P		
J512	SYS			TO FAX BOARD	OPTION	
J512	VS1-6313-020		1	CONNECTOR, 20P, FEMALE		

FIGURE & KEY NO.	PARTS NUMBER	R A N K	Q'TY	DESCRIPTION	SERIAL NUMBER/ REMARKS	S V C
J512	VS1-6314-020		1	CONNECTOR, 20P, FEMALE		
J512	VS1-6319-040		1	CONNECTOR, SNAP TIGHT		
J512	VT2-5161-040		1	HOLDER, CONNECTOR, 40P		
J514	PCB			ASSIST		
J514	VS1-6321-008		1	CONNECTOR, 8P, FEMALE		
J520	PCB			ECO-ID BOARD		
J520	VS1-6314-009		1	CONNECTOR, 9P, FEMALE		
J521	VS1-7177-010		1	CONNECTOR, SNAP TIGHT		
J521	VS1-6321-010		2	CONNECTOR, 10P, FEMALE		
J522	SYS			TO CARD READER	OPTION	
J522	VS1-6314-005		1	CONNECTOR, 5P, FEMALE		
J523	VS1-6321-010		1	CONNECTOR, 10P, FEMALE	S3200,V3200	
J524	SYS			TO COIN VENDER	OPTION	
J524	VS1-7177-012		1	CONNECTOR, SNAP TIGHT	S3200,V3200	
J524	VS1-6321-012		1	CONNECTOR, 12P, MALE	S3200,V3200	
J531	SYS			TO FAX BOARD	OPTION	
J531	VS1-7177-002		1	CONNECTOR, SNAP TIGHT		
J531	VS1-6321-002		1	CONNECTOR, 2P, FEMALE		
J535	VS1-6314-008		2	CONNECTOR, 8P, FEMALE		
J535	VS1-7173-008		1	CONNECTOR, SNAP TIGHT		
J536	VS1-7177-002		1	CONNECTOR, SNAP TIGHT		
J536	VS1-6321-002		2	CONNECTOR, 2P, FEMALE		
J537	VS1-7177-002		1	CONNECTOR, SNAP TIGHT		
J537	VS1-6321-002		2	CONNECTOR, 2P, FEMALE		
J538	PCB			FRAM COUNTER BOARD		
J538	VS1-6314-006		1	CONNECTOR, 6P, FEMALE		
J539	SYS			TO FAX BOARD	OPTION	
J539	VS1-6314-004		1	CONNECTOR, 4P, FEMALE		
J540	NPN			CONTROLLER FAN	FM7	
J540	VS1-7177-003		1	CONNECTOR, SNAP TIGHT		
J540	VS1-6321-003		1	CONNECTOR, 3P, FEMALE		
J557	SYS			TO FAX BOARD	OPTION	

FIGURE & KEY NO.	PARTS NUMBER	R A N K	Q'TY	DESCRIPTION	SERIAL NUMBER/ REMARKS	S V C
J557	VS1-7177-002		1	CONNECTOR, SNAP TIGHT	OPTION	
J557	VS1-6321-002		2	CONNECTOR, 2P, FEMALE		
J558	VS1-7507-002		1	CONNECTOR, SNAP TIGHT		
J558	VS3-5080-002		2	CONNECTOR, 2P, MALE		
J558	WT1-5155-000		4	TERMINAL		
J559	NPN			FAX PCIP		
J559	VS1-5824-002		1	CONNECTOR, 2P, FEMALE		
J559	WS3-5358-000		2	SOCKET CONTACT, 22-26AWG		
J560	SYS			TO FAX BOARD		
J560	VS1-6302-012		1	CONNECTOR, 12P, MALE		
J560	WS3-5680-000		12	SOCKET CONTACT, 20-24AWG		
J561	VS1-5729-004		1	CONNECTOR, 4P, MALE		
J561	VS3-5083-004		1	CONNECTOR, 4P, FEMALE		
J561	WS3-5160-000		4	SOCKET CONTACT, 18-24AWG		
J561	WS3-5301-000		4	PIN CONTACT		
J562	VS1-7177-004		1	CONNECTOR, SNAP TIGHT		
J562	VS1-5824-004		2	CONNECTOR, 4P, FEMALE		
J562	WS3-5358-000		4	SOCKET CONTACT, 22-26AWG		
J564	PCB			MICRO SWITCH		
J564	VS1-5824-003		1	CONNECTOR, 3P, FEMALE		
J564	WS3-5358-000		2	SOCKET CONTACT, 22-26AWG		
J565	NPN			TO READER		
J565	FH2-5825-000		5	PIN CONTACT, 16-20AWG		
J565	FH2-6855-000		1	CONNECTOR, 12P, FEMALE		
J600	VS1-7208-009		2	CONNECTOR, 9P, FEMALE		
J600	VS1-7504-009		1	CONNECTOR, SNAP TIGHT		
J601	VS1-7208-009		2	CONNECTOR, 9P, FEMALE		
J601	VS1-7504-009		1	CONNECTOR, SNAP TIGHT		
J603	VS1-7208-009		2	CONNECTOR, 9P, FEMALE		
J603	VS1-7504-009		1	CONNECTOR, SNAP TIGHT		
J604	VS1-7208-009		2	CONNECTOR, 9P, FEMALE		
J604	VS1-7504-009		1	CONNECTOR, SNAP TIGHT		

FIGURE & KEY NO.	PARTS NUMBER	R A N K	Q'TY	DESCRIPTION	SERIAL NUMBER/ REMARKS	S V C
J605	NPN			SCANNER MOTOR	YELLOWM2	
J605	VS1-7208-004		1	CONNECTOR, 4P, FEMALE	YELLOW	
J606	NPN			LED MOTOR	YELLOWM16	
J606	VS1-7208-005		1	CONNECTOR, 5P, FEMALE	YELLOW	
J607	PCB			BD SENSOR	YELLOW	
J607	VS1-7208-003		1	CONNECTOR, 3P, FEMALE	YELLOW	
J608	NPN			LASER SCANNER UNIT	YELLOW	
J608	VS3-5080-012		1	CONNECTOR, 12P, FEMALE	YELLOW	
J608	WT1-5155-000		12	TERMINAL	YELLOW	
J609	NPN			SCANNER MOTOR	MAGENTAM3	
J609	VS1-7208-004		1	CONNECTOR, 4P, FEMALE	MAGENTA	
J610	NPN			LED MOTOR	MAGENTAM17	
J610	VS1-7208-005		1	CONNECTOR, 5P, FEMALE	MAGENTA	
J611	PCB			BD SENSOR	MAGENTA	
J611	VS1-7208-003		1	CONNECTOR, 3P, FEMALE	MAGENTA	
J612	NPN			LASER SCANNER UNIT	MAGENTA	
J612	VS3-5080-012		1	CONNECTOR, 12P, FEMALE	MAGENTA	
J612	WT1-5155-000		12	TERMINAL	MAGENTA	
J613	NPN			SCANNER MOTOR	CYANM4	
J613	VS1-7208-004		1	CONNECTOR, 4P, FEMALE	CYAN	
J614	NPN			LED MOTOR	CYANM18	
J614	VS1-7208-005		1	CONNECTOR, 5P, FEMALE	CYAN	
J615	PCB			BD SENSOR	CYAN	
J615	VS1-7208-003		1	CONNECTOR, 3P, FEMALE	CYAN	
J616	NPN			LASER SCANNER UNIT	CYAN	
J616	VS3-5080-012		1	CONNECTOR, 12P, FEMALE	CYAN	
J616	WT1-5155-000		12	TERMINAL	CYAN	
J617	NPN			SCANNER MOTOR	BLACKM5	
J617	VS1-7208-004		1	CONNECTOR, 4P, FEMALE	BLACK	
J618	NPN			LED MOTOR	BLACKM19	
J618	VS1-7208-005		1	CONNECTOR, 5P, FEMALE	BLACK	
J619	PCB			BD SENSOR	BLACK	

FIGURE & KEY NO.	PARTS NUMBER	RANK	Q'TY	DESCRIPTION	SERIAL NUMBER/REMARKS	SVC
J619	VS1-7208-003		1	CONNECTOR, 3P, FEMALE	BLACK	
J620	NPN			LASER SCANNER UNIT	BLACK	
J620	VS3-5080-012		1	CONNECTOR, 12P, FEMALE	BLACK	
J620	WT1-5155-000		12	TERMINAL	BLACK	
J650	NPN			DEVELOPING MOTOR	YELLOWM12	
J650	VS1-6321-004		1	CONNECTOR, 4P, FEMALE	YELLOW	
J651	NPN			DEVELOPING MOTOR	MAGENTAM13	
J651	VS1-6321-004		1	CONNECTOR, 4P, FEMALE	MAGENTA	
J652	NPN			DEVELOPING MOTOR	CYANM14	
J652	VS1-6321-004		1	CONNECTOR, 4P, FEMALE	CYAN	
J653	NPN			DEVELOPING MOTOR	BLACKM15	
J653	VS1-6321-004		1	CONNECTOR, 4P, FEMALE	BLACK	
J654	VS1-7584-008		1	CONNECTOR, SNAP TIGHT		
J654	VS1-6930-008		2	CONNECTOR, 8P, FEMALE		
J655	VS1-7584-009		1	CONNECTOR, SNAP TIGHT		
J655	VS1-6930-009		2	CONNECTOR, 9P, FEMALE		
J660	NPN			DRUM UNIT	YELLOW	
J660	VS1-6930-002		1	CONNECTOR, 2P, FEMALE	YELLOW	
J660	VS1-6930-003		1	CONNECTOR, 3P, FEMALE	YELLOW	
J661	NPN			DRUM UNIT	MAGENTA	
J661	VS1-6930-002		1	CONNECTOR, 2P, FEMALE	MAGENTA	
J661	VS1-6930-003		1	CONNECTOR, 3P, FEMALE	MAGENTA	
J662	NPN			DRUM UNIT	CYAN	
J662	VS1-6930-002		1	CONNECTOR, 2P, FEMALE	CYAN	
J662	VS1-6930-003		1	CONNECTOR, 3P, FEMALE	CYAN	
J663	NPN			DRUM UNIT	BLACK	
J663	VS1-6930-002		1	CONNECTOR, 2P, FEMALE	BLACK	
J663	VS1-6930-003		1	CONNECTOR, 3P, FEMALE	BLACK	
J668	NPN			TONER CARTRIDGE MOTOR	YELLOWM20	
J668	VS1-7177-002		1	CONNECTOR, SNAP TIGHT	YELLOW	
J668	VS1-6321-002		1	CONNECTOR, 2P, FEMALE	YELLOW	
J669	VS1-7177-003		1	CONNECTOR, SNAP TIGHT		

FIGURE & KEY NO.	PARTS NUMBER	R A N K	Q'TY	DESCRIPTION	SERIAL NUMBER/REMARKS	S V C
J669	VS1-6321-003		2	CONNECTOR, 3P, FEMALE		
J670	NPN			TONER CARTRIDGE MOTOR	MAGENTAM21	
J670	VS1-7177-002		1	CONNECTOR, SNAP TIGHT	MAGENTA	
J670	VS1-6321-002		1	CONNECTOR, 2P, FEMALE	MAGENTA	
J671	VS1-7177-003		1	CONNECTOR, SNAP TIGHT		
J671	VS1-6321-003		2	CONNECTOR, 3P, FEMALE		
J672	NPN			TONER CARTRIDGE MOTOR	CYANM22	
J672	VS1-7177-002		1	CONNECTOR, SNAP TIGHT	CYAN	
J672	VS1-6321-002		1	CONNECTOR, 2P, FEMALE	CYAN	
J673	VS1-7177-003		1	CONNECTOR, SNAP TIGHT		
J673	VS1-6321-003		2	CONNECTOR, 3P, FEMALE		
J674	NPN			TONER CARTRIDGE MOTOR	BLACKM23	
J674	VS1-7177-002		1	CONNECTOR, SNAP TIGHT	BLACK	
J674	VS1-6321-002		1	CONNECTOR, 2P, FEMALE	BLACK	
J675	VS1-7177-003		1	CONNECTOR, SNAP TIGHT		
J675	VS1-6321-003		2	CONNECTOR, 3P, FEMALE		
J676	NPN			SCREW ROTATE SENSOR	YELLOWPS1	
J676	VS1-6321-003		1	CONNECTOR, 3P, FEMALE	YELLOW	
J677	NPN			SCREW ROTATE SENSOR	MAGENTAPS2	
J677	VS1-6321-003		1	CONNECTOR, 3P, FEMALE	MAGENTA	
J678	NPN			SCREW ROTATE SENSOR	CYANPS3	
J678	VS1-6321-003		1	CONNECTOR, 3P, FEMALE	CYAN	
J679	NPN			SCREW ROTATE SENSOR	BLACKPS4	
J679	VS1-6321-003		1	CONNECTOR, 3P, FEMALE	BLACK	
J700	NPN			DELECT COOLING FAN	FM5	
J700	VS1-7177-003		1	CONNECTOR, SNAP TIGHT		
J700	VS1-6321-003		1	CONNECTOR, 3P, FEMALE		
J701	VS1-6314-009		2	CONNECTOR, 9P, FEMALE		
J701	VS1-7173-012		1	CONNECTOR, SNAP TIGHT		
J702	VS1-6314-013		2	CONNECTOR, 13P, FEMALE		
J702	VS1-6318-013		1	CONNECTOR, SNAP TIGHT		
J703	VS1-6314-012		2	CONNECTOR, 12P, FEMALE		

FIGURE & KEY NO.	PARTS NUMBER	RANK	Q'TY	DESCRIPTION	SERIAL NUMBER/REMARKS	SVC
J703	VS1-6318-009		1	CONNECTOR, SNAP TIGHT		
J704	NPN			VERTICAL PASS MOTOR	M10	
J704	VS1-6321-005		1	CONNECTOR, 5P, FEMALE		
J705	NPN			FACE DOWN DELIVERY MOTOR	M11	
J705	VS1-6321-005		1	CONNECTOR, 5P, FEMALE		
J706	NPN			FACE DOWN DELIVERY SENSOR 2	PS6	
J706	VS1-6321-003		1	CONNECTOR, 3P, FEMALE		
J707	NPN			DELIVERY SWITCHING SOLENOID 1	SL2	
J707	VS1-7177-002		1	CONNECTOR, SNAP TIGHT		
J707	VS1-6321-002		1	CONNECTOR, 2P, FEMALE		
J708	VS1-7177-005		1	CONNECTOR, SNAP TIGHT		
J708	VS1-6321-005		2	CONNECTOR, 5P, FEMALE		
J709	NPN			FIXING FEED OPEN SENSOR	PS5	
J709	VS1-6321-003		1	CONNECTOR, 3P, FEMALE		
J710	NPN			DELIVERY TRAY FULL SENSOR	PS8	
J710	VS1-6321-003		1	CONNECTOR, 3P, FEMALE		
J711	NPN			FACE DOWN DELIVERY SENSOR 1	PS12	
J711	VS1-6321-003		1	CONNECTOR, 3P, FEMALE		
J712	NPN			DELIVERY VERTICAL OPEN SENSOR	PS13	
J712	VS1-6321-003		1	CONNECTOR, 3P, FEMALE		
J713	PCB			WASTE TONER DETECT		
J713	VS1-6321-003		1	CONNECTOR, 3P, FEMALE		
J714	PCB			WASTE TONER LED		
J714	VS1-6321-002		1	CONNECTOR, 2P, FEMALE		
J716	NPN			CLEANING FAN	FM4	
J716	VS1-7177-003		1	CONNECTOR, SNAP TIGHT		
J716	VS1-6321-003		1	CONNECTOR, 3P, FEMALE		
J720	VS1-7177-004		1	CONNECTOR, SNAP TIGHT		
J720	VS1-6321-004		2	CONNECTOR, 4P, FEMALE		
J721	NPN			MANUAL COOLING FAN	FM6	
J721	VS1-7177-003		1	CONNECTOR, SNAP TIGHT		
J721	VS1-6321-003		1	CONNECTOR, 3P, FEMALE		

FIGURE & KEY NO.	PARTS NUMBER	RANK	Q'TY	DESCRIPTION	SERIAL NUMBER/REMARKS	SVC
J750	VS1-6313-015		2	CONNECTOR, 15P, FEMALE		
J750	VS1-6314-015		2	CONNECTOR, 15P, FEMALE		
J750	VS1-6319-030		1	CONNECTOR, SNAP TIGHT		
J750	VT2-5161-030		2	HOLDER, CONNECTOR, 30P		
J752	VS1-6314-003		2	CONNECTOR, 3P, MALE		
J752	VS1-7173-003		1	CONNECTOR, SNAP TIGHT		
J754	NPN			VERTICAL PASS OPEN SENSOR	PS11	
J754	VS1-6321-003		1	CONNECTOR, 3P, FEMALE		
J755	VS1-6313-015		2	CONNECTOR, 15P, FEMALE		
J755	VS1-6314-016		2	CONNECTOR, 16P, FEMALE		
J755	VS1-6919-031		1	CONNECTOR, DRAWER		
J755	VS1-6920-031		1	CONNECTOR, 31P, MALE		
J756	VS1-7440-006		1	CONNECTOR, SNAP TIGHT		
J756	VS1-6321-006		2	CONNECTOR, 6P, FEMALE		
J757	VS1-7177-003		1	CONNECTOR, SNAP TIGHT		
J757	VS1-6321-003		2	CONNECTOR, 3P, FEMALE		
J758	NPN			MULTI FEED LAST SENSOR	PS9	
J758	VS1-6321-003		1	CONNECTOR, 3P, FEMALE		
J759	PCB			SLIDE VOLUME SENSOR		
J759	VS1-6321-003		1	CONNECTOR, 3P, FEMALE		
J760	NPN			MULTI PAPER SENSOR	PS10	
J760	VS1-6321-003		1	CONNECTOR, 3P, FEMALE		
J761	NPN			REGIST MOTOR	M9	
J761	VS1-6321-004		1	CONNECTOR, 4P, FEMALE		
J762	NPN			MANUAL FEED SOLENOID	SL1	
J762	VS1-7177-002		1	CONNECTOR, SNAP TIGHT		
J762	VS1-6321-002		1	CONNECTOR, 2P, FEMALE		
J763	NPN			REGIST FRONT MOTOR	M8	
J763	VS1-6321-004		1	CONNECTOR, 4P, FEMALE		
J764	NPN			REGIST SENSOR	PS26	
J764	VS1-6320-003		1	CONNECTOR, 3P, MALE		
J765	NPN			FRONT OHP SENSOR	OHP1	

FIGURE & KEY NO.	PARTS NUMBER	R A N K	Q'TY	DESCRIPTION	SERIAL NUMBER/ REMARKS	S V C
J765	VS1-6321-003		1	CONNECTOR, 3P, FEMALE		
J766	NPN			REAR OHP SENSOR	OHP2	
J766	VS1-6321-003		1	CONNECTOR, 3P, FEMALE		
J768	NPN			MANUAL FEED OPEN SENSOR	PS28	
J768	VS1-6321-003		1	CONNECTOR, 3P, FEMALE		
J769	VS1-6314-008		2	CONNECTOR, 8P, FEMALE		
J769	VS1-7173-008		1	CONNECTOR, SNAP TIGHT		
J800	VS1-6314-011		2	CONNECTOR, 11P, FEMALE		
J800	VS1-6318-011		1	CONNECTOR, SNAP TIGHT		
J801	VS1-6313-010		1	CONNECTOR, 10P, FEMALE		
J801	VS1-6314-010		1	CONNECTOR, 10P, FEMALE		
J801	VS1-7173-010		1	CONNECTOR, SNAP TIGHT		
J802	VS1-6313-009		1	CONNECTOR, 9P, FEMALE		
J802	VS1-6314-010		1	CONNECTOR, 10P, FEMALE		
J802	VS1-6757-009		1	CONNECTOR, 9P		
J802	VS1-6757-010		1	CONNECTOR, 10P, FEMALE		
J802	VS1-7077-019		1	CONNECTOR, 19P, FEMALE		
J802	VS1-6918-019		1	CONNECTOR, 19P, FEMALE		
J802	WS3-5721-000		14	SOCKET CONTACT		
J802	WS3-5822-000		3	PIN, CONTACT, AWG 14-18		
J802	WS3-5824-000		2	SOCKET, CONTACT AWG 20-24		
J803	NPN			FIXING DELI SENSOR	PS25	
J803	VS1-5824-003		1	CONNECTOR, 3P, FEMALE		
J803	WS3-5730-000		3	SOCKET CONTACT AWG 36-26		
J804	NPN			FIXING ENTRANS SENSOR	PS27	
J804	VS1-5824-003		1	CONNECTOR, 3P, FEMALE		
J804	WS3-5730-000		3	SOCKET CONTACT AWG 36-26		
J805	NPN			FIXING SUB THERMISTOR	TH2	
J805	VS1-7177-002		1	CONNECTOR, SNAP TIGHT		
J805	VS1-5824-002		1	CONNECTOR, 2P, FEMALE		
J805	WS3-5730-000		2	SOCKET CONTACT AWG 36-26		
J806	NPN			FIXING MAIN THERMISTOR	TH1	

FIGURE & KEY NO.	PARTS NUMBER	RANK	Q'TY	DESCRIPTION	SERIAL NUMBER/REMARKS	SVC
J806	VS1-7177-003		1	CONNECTOR, SNAP TIGHT		
J806	VS1-5824-003		1	CONNECTOR, 3P, FEMALE		
J806	WS3-5730-000		3	SOCKET CONTACT AWG 36-26		
J807	VS1-6314-005		2	CONNECTOR, 5P, FEMALE		
J807	VS1-7173-005		1	CONNECTOR, SNAP TIGHT		
J808	VS1-6314-005		2	CONNECTOR, 5P, FEMALE		
J808	VS1-7173-005		1	CONNECTOR, SNAP TIGHT		
J809	NPN			CASSETTE 2 SIZE SWITCH	SW3	
J809	VS1-6321-005		1	CONNECTOR, 5P, FEMALE		
J810	NPN			CASSETTE 1 SIZE SWITCH	SW2	
J810	VS1-6321-005		1	CONNECTOR, 5P, FEMALE		
J811	NPN			FRONT DOOR OPEN SENSOR	PS23	
J811	VS1-6321-003		1	CONNECTOR, 3P, FEMALE		
J812	NPN			FIXING FAN	FM2	
J812	VS1-7177-003		1	CONNECTOR, SNAP TIGHT		
J812	VS1-6321-003		1	CONNECTOR, 3P, FEMALE		
J813	NPN			FIXING MOTOR	M24	
J813	VS1-7177-004		1	CONNECTOR, SNAP TIGHT		
J813	VS1-6321-004		1	CONNECTOR, 4P, FEMALE		
J814	NPN			DRUM ITB MOTOR	M1	
J814	VS1-6321-008		1	CONNECTOR, 8P, FEMALE		
J815	VS1-7177-002		1	CONNECTOR, SNAP TIGHT		
J815	VS1-6321-002		2	CONNECTOR, 2P, FEMALE		
J816	PCB			CASSETTE HEATER		
J816	VS1-6321-002		1	CONNECTOR, 2P, FEMALE		
J820	NPN			EXHAUST FAN	FM3	
J820	VS1-7177-003		1	CONNECTOR, SNAP TIGHT		
J820	VS1-6321-003		1	CONNECTOR, 3P, FEMALE		
J850	VS1-6314-014		2	CONNECTOR, 14P, MALE		
J850	VS1-7173-014		1	CONNECTOR, SNAP TIGHT		
J851	VS1-7177-008		1	CONNECTOR, SNAP TIGHT		
J851	VS1-6321-008		2	CONNECTOR, 8P, FEMALE		

FIGURE & KEY NO.	PARTS NUMBER	R A N K	Q'TY	DESCRIPTION	SERIAL NUMBER/REMARKS	S V C
J852	VS1-6313-014		1	CONNECTOR, 14P, FEMALE		
J852	VS1-6314-014		1	CONNECTOR, 14P, MALE		
J852	VS1-7173-014		1	CONNECTOR, SNAP TIGHT		
J854	NPN			CASSETTE 1 PICK-UP MOTOR	M6	
J854	VS1-6321-004		1	CONNECTOR, 4P, FEMALE		
J855	NPN			CASSETTE 1 LEVEL B SENSOR	PS15	
J855	VS1-6321-003		1	CONNECTOR, 3P, FEMALE		
J856	NPN			CASSETTE 1 LEVEL A SENSOR	PS14	
J856	VS1-6321-003		1	CONNECTOR, 3P, FEMALE		
J857	NPN			CASSETTE 1 PICK-UP SOLENOID	SL3	
J857	VS1-7177-002		1	CONNECTOR, SNAP TIGHT		
J857	VS1-6321-002		1	CONNECTOR, 2P, FEMALE		
J858	NPN			CASSETTE 1 RETRY SENSOR	PS16	
J858	VS1-6321-003		1	CONNECTOR, 3P, FEMALE		
J859	NPN			CASSETTE 1 PAPER SENSOR	PS7	
J859	VS1-6321-003		1	CONNECTOR, 3P, FEMALE		
J860	NPN			CASSETTE 2 PICK-UP MOTOR	M7	
J860	VS1-6321-004		1	CONNECTOR, 4P, FEMALE		
J861	NPN			CASSETTE 2 LEVEL B SENSOR	PS18	
J861	VS1-6321-003		1	CONNECTOR, 3P, FEMALE		
J862	NPN			CASSETTE 2 LEVEL A SENSOR	PS20	
J862	VS1-6321-003		1	CONNECTOR, 3P, FEMALE		
J863	NPN			CASSETTE 2 PICK-UP SOLENOID	SL4	
J863	VS1-7177-002		1	CONNECTOR, SNAP TIGHT		
J863	VS1-6321-002		1	CONNECTOR, 2P, FEMALE		
J864	NPN			CASSETTE 2 RETRY SENSOR	PS17	
J864	VS1-6321-003		1	CONNECTOR, 3P, FEMALE		
J865	NPN			CASSETTE 2 PAPER SENSOR	PS19	
J865	VS1-6321-003		1	CONNECTOR, 3P, FEMALE		
J950	SYS			TO CASSETTE PEDESTAL	OPTION	
J950	FK2-0247-000		1	CONNECTOR, FEMALE		
J950	VS1-5452-007		1	CONNECTOR, 7P, FEMALE		

FIGURE & KEY NO.	PARTS NUMBER	RANK	Q'TY	DESCRIPTION	SERIAL NUMBER/REMARKS	SVC
J950	VS1-5452-008		1	CONNECTOR, 8P, FEMALE		
J950	WS3-5596-000		3	PIN CONTACT, 18-24AWG		
J951	VS1-6314-014		2	CONNECTOR, 14P, MALE		
J951	VS1-7173-014		1	CONNECTOR, SNAP TIGHT		
J952	VS1-6314-006		2	CONNECTOR, 6P, FEMALE		
J952	VS1-7173-006		1	CONNECTOR, SNAP TIGHT		
J953	VS1-6314-004		2	CONNECTOR, 4P, FEMALE		
J953	VS1-7173-004		1	CONNECTOR, SNAP TIGHT		
J956	PCB			REAR REGIST SENSOR		
J956	VS1-6314-003		1	CONNECTOR, 3P, MALE		
J957	PCB			REAR REGIST SENSOR		
J957	VS1-6314-005		1	CONNECTOR, 5P, FEMALE		
J958	PCB			FRONT REGIST SENSOR		
J958	VS1-6314-003		1	CONNECTOR, 3P, MALE		
J959	PCB			FRONT REGIST SENSOR		
J959	VS1-6314-005		1	CONNECTOR, 5P, FEMALE		
J960	NPN			SALT SENSOR	TPS1	
J960	VS1-6314-006		1	CONNECTOR, 6P, FEMALE		
J961	NPN			ENV. SENSOR	EV1	
J961	VS1-6321-004		1	CONNECTOR, 4P, FEMALE		
J962	VS1-5452-008		2	CONNECTOR, 8P, FEMALE		
J962	VS1-7507-008		1	CONNECTOR, SNAP TIGHT		
J963	VS1-5452-007		2	CONNECTOR, 7P, FEMALE		
J963	VS1-7507-007		1	CONNECTOR, SNAP TIGHT		
J964	VS1-6314-003		2	CONNECTOR, 3P, MALE		
J964	VS1-7173-003		1	CONNECTOR, SNAP TIGHT		
J965	VS1-6314-003		2	CONNECTOR, 3P, MALE		
J965	VS1-7173-003		1	CONNECTOR, SNAP TIGHT		
J992	PCB			HEATER DRIVER BOARD		
J992	NPN			DC POWER FAN	FM1	
J1000	VS1-7178-012		2	CONNECTOR, 12P, FEMALE		
J1000	VS1-7177-012		1	CONNECTOR, SNAP TIGHT		

FIGURE & KEY NO.	PARTS NUMBER	R A N K	Q'TY	DESCRIPTION	SERIAL NUMBER/REMARKS	S V C
J1100	VS1-5729-002		1	CONNECTOR, 2P, MALE	OPTION	
J1100	VS3-5083-002		1	CONNECTOR, 2P, FEMALE		
J1100	WS3-5160-000		1	SOCKET CONTACT, 18-24AWG		
J1100	WS3-5301-000		2	PIN CONTACT		
J1101	SYS			TO FAX BOARD		
J1101	VS3-5083-002		1	CONNECTOR, 2P, FEMALE		
J1101	WS3-5160-000		1	SOCKET CONTACT, 18-24AWG		
J1102	VS1-6314-020		2	CONNECTOR, 20P, FEMALE		
J1102	VS1-6318-020		1	CONNECTOR, SNAP TIGHT		
J1103	VS1-6313-020		2	CONNECTOR, 20P, FEMALE		
J1103	VS1-6318-020		1	CONNECTOR, SNAP TIGHT		
J1104	VS1-6314-010		2	CONNECTOR, 10P, FEMALE		
J1104	VS1-7173-010		1	CONNECTOR, SNAP TIGHT		
J1105	VS1-6314-010		2	CONNECTOR, 10P, FEMALE		
J1105	VS1-7173-010		1	CONNECTOR, SNAP TIGHT		
J1110	PCB			OPERATION CPU		
J1110	VS1-6314-011		1	CONNECTOR, 11P, FEMALE		
J1111	PCB			OPERATION CPU		
J1111	VS1-6314-013		1	CONNECTOR, 13P, FEMALE		
J1112	PCB			OPERATION CPU		
J1112	NPN			LCD CONTROL PANEL		
J1113	PCB			OPERATION CPU		
J1113	VS1-6321-003		1	CONNECTOR, 3P, FEMALE		
J1114	PCB			OPERATION CPU		
J1114	NPN			LCD CONTROL PANEL		
J1115	SYS			TO FOOT SWITCH		
J1115	PCB			OPERATION CPU		
J1116	PCB			OPERATION KEY		
J1116	VS1-6314-011		1	CONNECTOR, 11P, FEMALE		
J1117	PCB			OPERATION KEY		
J1117	VS1-6314-013		1	CONNECTOR, 13P, FEMALE		
J1120	VS1-7177-003		1	CONNECTOR, SNAP TIGHT		

FIGURE & KEY NO.	PARTS NUMBER	RANK	Q'TY	DESCRIPTION	SERIAL NUMBER/REMARKS	SVC
J1120	VS1-6321-003		2	CONNECTOR, 3P, FEMALE		
J1121	VS1-6313-018		2	CONNECTOR, 18P, FEMALE		
J1121	VS1-6314-018		2	CONNECTOR, 18P, MALE		
J1121	VS1-6319-036		1	CONNECTOR, SNAP TIGHT		
J1121	VT2-5161-036		2	HOLDER, CONNECTOR, 36P		
J1122	SYS			TO FAX BOARD	OPTION	
J1122	VS1-6321-002		1	CONNECTOR, 2P, FEMALE		
J1123	PCB			KEY SWITCH		
J1123	VS1-6321-002		1	CONNECTOR, 2P, FEMALE		
J1124	VS1-6314-003		2	CONNECTOR, 3P, MALE		
J1124	VS1-7173-003		1	CONNECTOR, SNAP TIGHT		
J1125	VS1-6314-003		2	CONNECTOR, 3P, MALE		
J1125	VS1-7173-003		1	CONNECTOR, SNAP TIGHT		
J1126	NPN		RF	VERTICAL PATH FAN	NEWFM8	
J1126	VS1-6321-003		1	CONNECTOR, 3P, FEMALE	NEW	
J1126	VS1-7177-003		1	CONNECTOR, SNAP TIGHT	NEW	
J1204	PCB			CONTROLLER MAIN BOARD		
J1207	SYS			TO SURF BOARD	OPTION	
J1207	PCB			CONTROLLER MAIN BOARD		
J1208	PCB			CONTROLLER MAIN BOARD		
J1208	VS1-6361-010		1	CONNECTOR, 10P, FEMALE		
J1208	WS3-5592-000		10	SOCKET CONTACT, 16-18AWG		
J1209	PCB			CONTROLLER MAIN BOARD		
J1209	PCB			PC INTERFACE		
J1210	PCB			CONTROLLER MAIN BOARD		
J1210	FH2-7043-000		1	FLAT CABLE, HDD, 2		
J1213	PCB			CONTROLLER MAIN BOARD		
J1213	VS1-6314-008		1	CONNECTOR, 8P, FEMALE		
J1215	PCB			CONTROLLER MAIN BOARD		
J1216	PCB			CONTROLLER MAIN BOARD		
J1216	VS1-6407-080		1	CONNECTOR, 80P, FEMALE		
J1225	PCB			CONTROLLER MAIN BOARD		

FIGURE & KEY NO.	PARTS NUMBER	R A N K	Q'TY	DESCRIPTION	SERIAL NUMBER/ REMARKS	S V C
J1225	VS1-6314-006		1	CONNECTOR, 6P, FEMALE		
J1301	PCB			CONTROLLER SUB BOARD		
J1302	PCB			CONTROLLER SUB BOARD		
J1303	PCB			CONTROLLER SUB BOARD		
J1304	PCB			CONTROLLER SUB BOARD		
J1304	VS1-6313-018		1	CONNECTOR, 18P, FEMALE		
J1304	VS1-6314-018		1	CONNECTOR, 18P, MALE		
J1304	VT2-5161-036		1	HOLDER, CONNECTOR, 36P		
J1305	PCB			CONTROLLER SUB BOARD		
J1305	VS1-6314-010		1	CONNECTOR, 10P, FEMALE		
J1309	PCB			CONTROLLER SUB BOARD		
J1309	VS1-6313-020		1	CONNECTOR, 20P, FEMALE		
J1309	VS1-6314-020		1	CONNECTOR, 20P, FEMALE		
J1309	VT2-5161-040		1	HOLDER, CONNECTOR, 40P		
J1311	PCB			CONTROLLER SUB BOARD		
J1311	VS1-6302-012		1	CONNECTOR, 12P, MALE		
J1311	WS3-5680-000		12	SOCKET CONTACT, 20-24AWG		
J1315	PCB			CONTROLLER SUB BOARD		
J1315	VS1-6314-008		1	CONNECTOR, 8P, FEMALE		
J1316	PCB			CONTROLLER SUB BOARD		
J1316	VS1-6314-002		1	CONNECTOR, 2P, FEMALE		
J1318	PCB			CONTROLLER SUB BOARD		
J1318	VS1-6314-006		1	CONNECTOR, 6P, FEMALE		
J1336	PCB			CONTROLLER SUB BOARD		
J1336	VS1-6314-004		1	CONNECTOR, 4P, FEMALE		
J1342	PCB			CONTROLLER SUB BOARD		
J1342	PCB			SRAM BOARD		
J1400	PCB			DDI-S BOARD		
J1401	NPN			TO READER		
J1401	PCB			DDI-S BOARD		
J1501	PCB			DISTRIBUTE BOARD		
J1501	VS1-6361-008		1	CONNECTOR, 8P, MALE		

FIGURE & KEY NO.	PARTS NUMBER	RANK	Q'TY	DESCRIPTION	SERIAL NUMBER/REMARKS	SVC
J1501	WS3-5592-000		8	SOCKET CONTACT, 16-18AWG		
J1502	PCB			DISTRIBUTE BOARD		
J1502	VS1-6361-006		1	CONNECTOR, 6P, MALE		
J1502	WS3-5592-000		6	SOCKET CONTACT, 16-18AWG		
J1503	PCB			DISTRIBUTE BOARD		
J1503	VS1-6361-010		1	CONNECTOR, 10P, FEMALE		
J1503	WS3-5592-000		10	SOCKET CONTACT, 16-18AWG		
J1504	PCB			DISTRIBUTE BOARD		
J1504	VS1-6302-012		1	CONNECTOR, 12P, MALE		
J1504	WS3-5680-000		12	SOCKET CONTACT, 20-24AWG		
J1505	PCB			DISTRIBUTE BOARD		
J1505	VS1-6361-004		1	CONNECTOR, 4P, MALE		
J1505	WS3-5759-000		4	PIN CONTACT		
J1507	PCB			DISTRIBUTE BOARD		
J1507	VS1-6314-008		1	CONNECTOR, 8P, FEMALE		
J1508	PCB			DISTRIBUTE BOARD		
J1508	VS1-6314-005		1	CONNECTOR, 5P, FEMALE		
J1509	PCB			DISTRIBUTE BOARD		
J1509	VS1-5824-002		1	CONNECTOR, 2P, FEMALE		
J1509	WS3-5358-000		2	SOCKET CONTACT, 22-26AWG		
J1510	PCB			DISTRIBUTE BOARD		
J1510	VS1-6321-002		1	CONNECTOR, 2P, FEMALE	S3200,V3200	
J1511	PCB			DISTRIBUTE BOARD		
J1511	VS1-6321-008		1	CONNECTOR, 8P, FEMALE		
J1512	PCB			DISTRIBUTE BOARD		
J1512	VS1-6321-003		1	CONNECTOR, 3P, FEMALE		
J1513	PCB			DISTRIBUTE BOARD		
J1513	VS1-6314-006		1	CONNECTOR, 6P, FEMALE		
J1520	SYS			TO USB INTERFACE BOARD	OPTION	

Prepared by
OIP HFE Promotion Center
CANON INC.

Canon