

PARTS CATALOG

Color imageRUNNER
C2050/2020/2058 iR
C2100/2100S/2105/2105S
Rev.01-00

Canon

Apr 22 2008

PREFACE

This Parts Catalog contains listings of parts used

Diagrams are provided with the listings to aid the service technician in identifying clearly, the item to be ordered.

Whenever ordering parts, consult this Parts Catalog for all of the information pertaining to each item. Be sure to include, in the Parts Request, the full item description, the item part number, and the quantity.

COPYRIGHT (C) 1999 CANON INC.

Use of this manual should be strictly supervised to avoid disclosure of confidential information.

Contents

NUMERICAL INDEX

COLOR IMAGE READER-A1/B1(Numerical Index)	1-1
Color imageRUNNER C2050/2020/2058 iR C2100/2100S/2105/ 2105S(Numerical Index)	1-4
CASSETTE FEEDING UNIT-U1/U2(Numerical Index).....	1-21
PLAIN PEDESTAL-B1(Numerical Index).....	1-23
POWER SUPPLY UNIT-L1(Numerical Index)	1-24
POWER SUPPLY UNIT-M1(Numerical Index)	1-24
PDL BOARD-A1(Numerical Index)	1-25

COLOR IMAGE READER-A1/B1(Parts Catalog)

A	ASSEMBLY LOCATION DIAGRAM	2-1
001	SPECIAL TOOLS	2-3
100	EXTERNAL COVERS, PANELS, ETC.	2-4
110	POWER CORD TERMINAL ASSEMBLY	2-7
130	READER PANEL-A1/B1 (FOR COLOR IMAGE READER-A1/B1) 2-9	
160	COPYBOARD COVER ASSEMBLY	2-11
210	READER ASSEMBLY	2-12
420	MIRROR ASSEMBLY 1	2-16
430	MIRROR ASSEMBLY 2	2-18
900	ELECTRICAL COMPONENTS ASSEMBLY	2-19
913	NOISE FILTER PCB ASSEMBLY	2-21
917	APC POWER SUPPLY PCB ASSEMBLY (120/220/240V)	2-22
920	CONTROL PANEL CPU PCB ASSEMBLY	2-23
922	CONTROL PANEL KEY PCB ASSEMBLY	2-24
925	CONTROL PANEL INVERTER PCB ASSEMBLY	2-25
932	READER CONTROLLER PCB ASSEMBLY	2-26
935	AP-IP PCB ASSEMBLY	2-28
940	MAIN POWER SUPPLY PCB ASSEMBLY	2-29
970	INVERTER PCB ASSEMBLY	2-31
975	ECO-C BOARD PCB ASSEMBLY	2-32
995	READER-PRINTER INTERFACE PCB ASSEMBLY (FOR COLOR IMAGE READER-A1)	2-33
B	LIST OF CONNECTORS	2-34

Color imageRUNNER C2050/2020/2058 iR C2100/2100S/2105/
2105S(Parts Catalog)

Contents

A	ASSEMBLY LOCATION DIAGRAM	3-1
002	ACCESSORIES/SPECIAL TOOLS	3-5
101	EXTERNAL COVERS, PANELS, ETC.	3-6
102	MACHINE FRONT PLATE	3-9
103	INTERNAL COMPONENTS 1	3-12
104	INTERNAL COMPONENTS 2	3-14
105	INTERNAL COMPONENTS 3	3-16
106	INTERNAL COMPONENTS 4	3-19
107	MACHINE REAR PLATE 1	3-22
108	MACHINE REAR PLATE 2	3-24
109	MACHINE BOTTOM PLATE	3-26
112	POWER CORD TERMINAL ASSEMBLY (100/120V)	3-27
113	POWER CORD TERMINAL ASSEMBLY (220/240V)	3-29
131	PRINTER PANEL-A1/B1	3-32
140	RIGHT DOOR ASSEMBLY	3-35
190	FIXING FAN ASSEMBLY	3-37
191	POWER SUPPLY COOLING FAN ASSEMBLY	3-38
192	PROCESS COOLING FAN ASSEMBLY	3-39
193	DELIVERY FAN ASSEMBLY (PLAIN TYPE)	3-40
194	MACHINE COOLING FAN ASSEMBLY	3-41
250	DRUM DRIVE ASSEMBLY	3-42
260	PAPER PICK-UP DRIVE ASSEMBLY	3-44
265	VERTICAL PATH DRIVE ASSEMBLY	3-45
267	DUPLEXING FEEDER DRIVE ASSEMBLY (DUPLEX TYPE) 3-47	
270	TRANSFER SWING CAM ASSEMBLY	3-49
280	FIXING DRIVE ASSEMBLY	3-50
290	FACE DOWN OUTPUT UNIT DRIVE ASSEMBLY (DUPLEX TYPE)	3-52
300	CASSETTE	3-55
305	CASSETTE HEATER ASSEMBLY (ACCESSORY)	3-58
306	RIGHT ENVIRONMENT HEATER ASSEMBLY	3-59
310	PAPER PICK-UP ASSEMBLY	3-60
315	MULTI FEED ASSEMBLY	3-65
316	MULTI FEED TRAY ASSEMBLY	3-69
320	VERTICAL PATH GUIDE ASSEMBLY	3-71
350	PAPER DELIVERY ASSEMBLY	3-72
360	DUPLEX FEEDER ASSEMBLY (DUPLEX TYPE)	3-75
365	FACE DOWN OUTPUT UNIT-A1/B1(DUPLEX TYPE)	3-79
370	FACE DOWN OUTPUT ASSEMBLY 1 (DUPLEX TYPE) .	3-81
371	FACE DOWN OUTPUT ASSEMBLY 2 (DUPLEX TYPE) .	3-84
510	DRUM UNIT FRAME ASSEMBLY	3-86
530	TRANSFER LOWER FRAME ASSEMBLY	3-88
535	TRANSFER ASSEMBLY	3-90
580	SEPARATION CORONA ASSEMBLY	3-95

Contents

620	HOPPER ASSEMBLY	3-96
710	TRANSFER BELT CLEANING ASSEMBLY	3-99
770	WASTE TONER ASSEMBLY	3-101
810	FIXING ASSEMBLY	3-103
830	FIXING ROLLER CLEANING ASSEMBLY	3-108
910	DC POWER SUPPLY PCB ASSEMBLY	3-110
915	DRUM MOTOR DRIVER PCB ASSEMBLY	3-111
920	CONTROL PANEL CPU PCB ASSEMBLY	3-112
922	CONTROL PANEL KEY PCB ASSEMBLY	3-113
925	CONTROL PANEL INVERTER PCB ASSEMBLY	3-114
930	DC CONTROLLER PCB ASSEMBLY	3-115
933	SYSTEM CONTROLLER PCB ASSEMBLY	3-116
940	PAPER PICK-UP PCB ASSEMBLY	3-117
965	SERIAL DRIVER PCB ASSEMBLY	3-118
975	ENVIRONMENT MEASURING PCB ASSEMBLY	3-119
985	BIAS HIGH VOLTAGE PCB ASSEMBLY	3-120
996	READER-PRINTER INTERFACE PCB ASSEMBLY (i. R. C2058, iR C2105/S, CP2155/25/50G)	3-121
B	LIST OF CONNECTORS	3-122

CASSETTE FEEDING UNIT-U1/U2(Parts Catalog)

ZA	ASSEMBLY LOCATION DIAGRAM	4-1
Z10	EXTERNAL COVERS, PANELS, ETC.	4-2
Z11	MACHINE INTERNAL COMPONENTS	4-3
Z15	RIGHT DOOR ASSEMBLY	4-6
Z20	MAIN DRIVE ASSEMBLY	4-7
Z32	CASSETTE HEATER ASSEMBLY (ACCESSORY)	4-8
Z35	VERTICAL PATH ASSEMBLY	4-9
Z40	PAPER PICK-UP ASSEMBLY	4-11
Z90	PEDESTAL CONTROLLER PCB ASSEMBLY	4-16
Z91	PEDESTAL PICK-UP PCB ASSEMBLY	4-17
Z95	POWER SUPPLY ASSEMBLY (U2(W/M1) TYPE)	4-18
ZB	LIST OF CONNECTORS	4-20

PLAIN PEDESTAL-B1(Parts Catalog)

Z12	EXTERNAL COVERS, PANELS, ETC.	5-1
Z13	MACHINE INTERNAL COMPONENTS	5-2

POWER SUPPLY UNIT-L1(Parts Catalog)

KA	ASSEMBLY LOCATION DIAGRAM	6-1
K90	POWER SUPPLY UNIT-L1 (ACCESSORY FOR 100V)	6-2

Contents

POWER SUPPLY UNIT-M1(Parts Catalog)

KA	ASSEMBLY LOCATION DIAGRAM	7-1
K91	ACCESSORY POWER SUPPLY ASSEMBLY	7-2
KB	LIST OF CONNECTORS	7-5

PDL BOARD-A1(Parts Catalog)

KA	ASSEMBLY LOCATION DIAGRAM	8-1
K92	COLOR NETWORK PRINTER BOARD-A1	8-2

NUMERICAL INDEX

COLOR IMAGE READER-A1/B1(Numerical Index)

PARTS NUMBER	FIGURE & KEY NO.	PARTS NUMBER	FIGURE & KEY NO.	PARTS NUMBER	FIGURE & KEY NO
FA3-9315-020	100 - 1	FB4-0872-000	100 - 11	FF5-6576-000	210 - 19
FA6-5650-000	160 - 1	FB4-0881-000	900 - 3	FF5-6579-000	420 - 14
FA9-1990-020	430 - 1	FB4-0887-000	001 - 1	FF5-6581-000	430 - 10
FA9-3637-000	160 - 5A	FB4-0888-000	100 - 20B	FF5-9435-000	100 - 20
FA9-3666-000	160 - 2	FB4-0889-000	100 - 23A	FF5-9437-000	100 - 21
FA9-3667-000	160 - 3	FB4-0902-000	001 - 2	FF5-9438-000	100 - 22
FA9-3703-000	160 - 4	FB4-2581-000	130 - 1	FF5-9513-000	100 - 23
FB1-0715-000	420 - 1	FB4-2582-000	130 - 2	FF5-9514-000	100 - 24
FB1-6588-000	210 - 1	FB4-2583-000	130 - 3	FF5-9689-000	100 - 25
FB1-6663-000	430 - 2	FB4-2585-000	130 - 4	FF5-9691-000	100 - 25
FB1-6663-000	430 - 3	FB4-2692-000	210 - 11	FF5-9692-000	100 - 25
FB1-6677-030	210 - 2	FB4-6704-000	130 - 5	FF5-9693-000	100 - 25
FB1-7737-000	100 - 2	FB4-9141-000	900 - 4	FF5-9695-000	100 - 26
FB1-7738-000	100 - 3	FB4-9142-000	900 - 5	FF5-9696-000	100 - 26
FB2-1954-020	420 - 2	FB4-9143-000	210 - 12	FF5-9697-000	100 - 26
FB3-2411-000	420 - 3	FB4-9144-000	210 - 13	FF9-1694-000	160 - 5
FB3-2411-000	430 - 4	FB4-9148-000	210 - 14	FG2-9434-000	210 - 20
FB3-6085-000	100 - 4	FB4-9148-000	210 - 15	FG2-9435-000	210 - 21
FB3-7692-000	420 - 4	FB4-9149-000	210 - 16	FG2-9438-000	210 - 24A
FB3-7692-000	430 - 5	FB4-9149-000	210 - 17	FG2-9439-000	420 - 15
FB4-0705-000	210 - 3	FB5-1535-000	100 - 12	FG2-9440-000	420 - 16
FB4-0709-000	100 - 5	FB5-1789-000	130 - 6	FG2-9455-000	900 - 7
FB4-0711-000	100 - 25C	FB5-1790-000	130 - 7	FG2-9456-000	900 - 8
FB4-0715-020	100 - 6	FB5-1791-000	130 - 8	FG2-9457-000	900 - 9
FB4-0726-000	210 - 4	FB5-1792-000	130 - 9	FG2-9464-000	900 - 10
FB4-0740-000	210 - 5	FB5-1793-000	130 - 10	FG3-0316-000	975 - 8
FB4-0741-000	210 - 6	FB5-1794-000	130 - 11	FG3-0834-000	932 -
FB4-0743-000	210 - 7	FB5-1795-000	130 - 12	FG3-0849-080	932 - 1
FB4-0744-000	210 - 8	FB5-1797-000	130 - 13	FG3-0850-080	932 - 1
FB4-0753-020	100 - 7	FB5-1798-000	130 - 14	FG3-0851-080	932 - 1
FB4-0773-000	100 - 8	FB5-1807-000	130 - 9	FG3-0852-080	932 - 1
FB4-0778-000	210 - 9	FB5-1808-000	130 - 9	FG3-0853-080	932 - 1
FB4-0786-000	420 - 5	FB5-1809-000	130 - 9	FG3-0900-080	932 - 1
FB4-0787-000	420 - 6	FB5-1810-000	130 - 9	FG3-0901-080	932 - 1
FB4-0788-000	420 - 7	FB5-1811-000	130 - 10	FG3-0902-080	932 - 1
FB4-0789-000	420 - 8	FB5-1812-000	130 - 10	FG3-0903-080	932 - 1
FB4-0799-000	420 - 9	FB5-1813-000	130 - 10	FG3-0904-000	935 -
FB4-0802-000	420 - 10	FB5-1814-000	130 - 10	FG3-0907-000	900 - 11
FB4-0802-000	430 - 6	FB5-2041-000	100 - 13	FG3-0907-000	B - J508
FB4-0804-000	420 - 11	FB5-2045-000	100 - 14	FG3-0907-000	B - J1502
FB4-0810-000	100 - 9	FB5-2046-000	100 - 15	FG3-0908-000	995 - 2
FB4-0811-000	100 - 10	FB5-2048-000	210 - 18	FG3-0909-000	913 -
FB4-0816-000	210 - 10	FB5-2195-000	922 - 1	FG3-0910-000	913 -
FB4-0819-000	900 - 1	FB5-2363-000	100 - 16	FG3-0912-000	110 - 1
FB4-0820-000	900 - 2	FB5-2365-000	100 - 17	FG3-0913-000	900 - 12
FB4-0825-000	430 - 7	FB5-2371-000	100 - 18	FG3-0914-000	110 - 2
FB4-0831-000	430 - 8	FB5-2372-000	100 - 19	FG3-0918-000	900 - 12
FB4-0832-000	420 - 12	FB5-2385-000	900 - 6	FG3-0919-000	900 - 9
FB4-0834-000	100 - 20A	FB5-2389-000	995 - 1	FG3-1175-000	210 - 24B
FB4-0864-000	430 - 9	FB5-3730-000	922 - 2	FG3-1465-000	210 - 25A
FB4-0867-000	420 - 13	FF2-5915-000	001 - 3	FG3-3275-020	B - J2015
FB4-0868-000	420 - 13	FF3-2840-000	913 - 1	FG3-3275-020	B - J2038

NUMERICAL INDEX

COLOR IMAGE READER-A1/B1(Numerical Index)

PARTS NUMBER	FIGURE & KEY NO.	PARTS NUMBER	FIGURE & KEY NO.	PARTS NUMBER	FIGURE & KEY NO
FG3-3275-020	B - J2039	FH3-0881-000	970 - T1003	FS1-9054-000	210 - 35
FG5-5207-000	925 -	FH3-0899-000	940 - T1301	FS1-9054-000	210 - 36
FG5-9838-000	420 -	FH3-7202-010	970 - L1002	FS2-2351-000	210 - 37
FG5-9839-090	430 -	FH3-7203-000	970 - L1001	FS5-3250-000	210 - 38
FG5-9842-000	210 - 22	FH3-8083-000	940 - L1201	FS5-9162-020	210 - 39
FG5-9847-000	917 -	FH3-8084-000	940 - T1301	FS5-9494-020	100 - 29
FG5-9849-040	970 -	FH3-8085-000	940 - L1301	FS5-9618-000	210 - 40
FG5-9851-000	210 - 23	FH3-8086-000	913 - L1101	FS5-9618-000	210 - 41
FG5-9861-000	917 -	FH3-8086-000	913 - L2501	FS6-2737-000	210 - 42
FG5-9881-000	900 - 13	FH4-3702-000	932 - IC1604	FS6-8923-000	100 - 30
FG5-9882-000	940 -	FH4-3738-000	920 - Q919	FS6-8966-000	100 - 31
FG5-9883-000	940 -	FH4-3788-000	975 - IC6	FS6-8967-000	100 - 31
FG6-0363-000	210 - 24	FH4-5551-020	935 - Q512	FS6-8968-000	100 - 31
FG6-4312-000	920 -	FH4-5560-020	932 - IC1605	FS6-8969-000	100 - 31
FG6-4313-00U	922 -	FH4-5851-000	932 - IC1635	FS6-8970-000	100 - 31
FG6-4314-000	130 - 15	FH4-5942-000	935 - IC36	FS6-8972-000	100 - 31
FG6-4315-000	130 - 16	FH4-5943-000	935 - IC49	FS6-8973-000	100 - 31
FG6-4316-000	922 - 3	FH4-5944-000	935 - IC6	FS7-8012-000	100 - 25A
FG6-4317-000	922 - 4	FH4-5947-000	935 - IC1	FS7-8013-000	100 - 25A
FG6-4318-000	922 - 5	FH4-5948-000	935 - IC27	FS7-8014-000	100 - 25A
FG6-4319-000	922 - 6	FH4-5949-000	935 - IC34	FS7-8015-000	100 - 25A
FG6-4575-000	110 -	FH4-5950-000	932 - IC1602	FS7-8016-000	100 - 25B
FG6-4576-000	110 -	FH4-5951-000	932 - IC1608	FS7-8018-000	100 - 26A
FG6-4580-000	210 - 25	FH4-5952-000	932 - IC1609	FS7-8019-000	100 - 26A
FG6-4581-000	995 -	FH4-5959-000	935 - Q513	FS7-8020-000	100 - 26A
FG6-5428-000	130 - 17	FH4-5991-000	940 - Q1301	FY9-1027-000	001 - 5
FG9-3772-000	160 -	FH6-0745-000	922 - VR941	NPN	001 -
FH2-5006-000	001 - 4	FH6-0767-000	922 - LED909	NPN	100 -
FH2-5762-000	110 - 4	FH6-0767-000	922 - LED910	NPN	130 -
FH2-6451-000	210 - 26	FH6-0768-000	922 - LED907	NPN	210 -
FH2-6451-000	B - J1610	FH6-0768-000	922 - LED908	NPN	900 -
FH2-6451-000	B - J2018	FH6-0770-000	130 - 18	NPN	B -
FH2-6451-000	B - J2037	FH6-1463-020	900 - 14	NPN	B - J302
FH2-6452-020	210 - 27	FH6-1465-000	210 - 28	NPN	B - J907
FH2-6452-020	B - J2015	FH6-3362-000	940 - L1202	NPN	B - J908
FH2-6452-020	B - J2037	FH6-3362-000	940 - L1203	NPN	B - J956
FH2-6552-000	100 - 27	FH7-3336-000	420 - 18	NPN	B - J2007
FH2-6719-000	110 - 7	FH7-4559-030	420 - 19	NPN	B - J2009
FH2-7057-000	420 - 17	FH7-7306-000	210 - 29	NPN	B - J2010
FH2-7078-000	110 - 6	FH7-7386-000	210 - 31	NPN	B - J2011
FH2-7080-000	110 - 3	FH7-7386-000	210 - 32	NPN	B - J2012
FH2-7082-000	110 - 5	FH7-7388-000	210 - 33	NPN	B - J2013
FH3-0665-000	940 - CT1301	FH7-7423-020	210 - 31	NPN	B - J2014
FH3-0666-000	940 - CT1301	FH7-7423-020	210 - 32	NPN	B - J2031
FH3-0666-000	970 - T1002	FH7-7424-020	210 - 33	NPN	B - J2039
FH3-0695-000	917 - T1801	FH7-7424-020	210 - 34	PCB	B - J1
FH3-0713-000	940 - T1201	FH7-7575-000	110 - 8	PCB	B - J1
FH3-0714-000	940 - T1201	FH7-7653-000	110 - 8	PCB	B - J2
FH3-0725-000	917 - C1803	FK2-0149-000	210 - 30	PCB	B - J3
FH3-0775-000	925 - T1	FK2-0247-000	B - J2022	PCB	B - J4
FH3-0808-000	917 - T1801	FN5-4116-000	100 - 28	PCB	B - J5
FH3-0879-010	970 - T1001	FS1-9009-020	430 - 11	PCB	B - J6

NUMERICAL INDEX

COLOR IMAGE READER-A1/B1(Numerical Index)

PARTS NUMBER	FIGURE & KEY NO.	PARTS NUMBER	FIGURE & KEY NO.	PARTS NUMBER	FIGURE & KEY NO
PCB	B - J7	PCB	B - J2001	VS1-6313-015	B - J901
PCB	B - J8	RH6-3032-000	940 - L1202	VS1-6313-015	B - J2050
PCB	B - J101	RH6-3032-000	940 - L1203	VS1-6314-009	B - J903
PCB	B - J102	SYS	B - J208	VS1-6314-009	B - J922
PCB	B - J208	SYS	B - J1501	VS1-6314-012	B - J902
PCB	B - J301	SYS	B - J2022	VS1-6314-012	B - J921
PCB	B - J302	VD5-0321-001	925 - F1	VS1-6314-015	B - J901
PCB	B - J303	VD7-0211-002	940 - FU1201	VS1-6314-015	B - J2050
PCB	B - J502	VD7-0278-001	913 - FU1101	VS1-6319-030	900 - 12B
PCB	B - J503	VD7-0645-001	913 - FU2501	VS1-6319-030	B - J2050
PCB	B - J506	VD7-0645-001	940 - FU1201	VS1-6320-015	B - J1608
PCB	B - J506	VD7-1622-500	940 - FU1516	VS1-6321-015	B - J1608
PCB	B - J507	VD7-1622-500	940 - FU1517	VS1-6409-036	B - J1651
PCB	B - J508	VD7-1625-000	940 - FU1515	VS1-7171-011	B - J1652
PCB	B - J901	VD7-1626-300	940 - FU1509	VS1-7177-002	210 - 43
PCB	B - J902	VD7-2861-001	917 - FU1802	VS1-7177-002	900 - 12A
PCB	B - J903	VD7-2861-001	932 - FU1603	VS1-7177-002	B - J2014
PCB	B - J904	VD7-2861-001	940 - FU1501	VS1-7177-002	B - J2052
PCB	B - J905	VD7-2861-001	940 - FU1505	VS1-7177-003	210 - 44
PCB	B - J906	VD7-2861-001	940 - FU1514	VS1-7177-003	210 - 45
PCB	B - J906	VD7-2861-002	917 - FU1801	VS1-7177-003	900 - 15
PCB	B - J907	VD7-2862-001	932 - FU1601	VS1-7177-003	B - J2009
PCB	B - J908	VD7-2862-001	940 - FU1506	VS1-7177-003	B - J2010
PCB	B - J921	VD7-2862-001	940 - FU1512	VS1-7177-003	B - J2011
PCB	B - J922	VD7-2862-001	940 - FU1518	VS1-7177-003	B - J2012
PCB	B - J931	VD7-2864-000	940 - FU1502	VS1-7177-003	B - J2031
PCB	B - J941	VD7-2864-000	940 - FU1503	VS1-7177-013	900 - 10A
PCB	B - J955	VD7-2864-000	940 - FU1504	VS1-7177-013	B - J2016
PCB	B - J956	VD7-2864-000	940 - FU1507	VS1-7178-002	B - J955
PCB	B - J1001	VD7-2864-000	940 - FU1519	VS1-7178-002	B - J1607
PCB	B - J1002	VD7-2865-001	940 - FU1511	VS1-7178-002	B - J1804
PCB	B - J1003	VD7-2865-001	940 - FU1513	VS1-7178-002	B - J2014
PCB	B - J1101	VD7-2867-001	940 - FU1508	VS1-7178-002	B - J2052
PCB	B - J1501	VS1-0842-013	B - J1602	VS1-7178-003	B - J2007
PCB	B - J1502	VS1-0842-013	B - J2016	VS1-7178-003	B - J2009
PCB	B - J1601	VS1-0852-008	B - J303	VS1-7178-003	B - J2010
PCB	B - J1602	VS1-0852-008	B - J1605	VS1-7178-003	B - J2011
PCB	B - J1605	VS1-0852-011	B - J1606	VS1-7178-003	B - J2012
PCB	B - J1606	VS1-0852-012	B - J507	VS1-7178-003	B - J2013
PCB	B - J1607	VS1-0852-012	B - J1609	VS1-7178-003	B - J2031
PCB	B - J1608	VS1-5057-015	900 - 9A	VS1-7178-004	B - J8
PCB	B - J1609	VS1-5057-015	B - J2017	VS1-7178-004	B - J905
PCB	B - J1610	VS1-5452-002	B - J2042	VS1-7178-005	B - J7
PCB	B - J1611	VS1-5452-005	B - J1601	VS1-7178-006	B - J904
PCB	B - J1614	VS1-5452-007	B - J2022	VS1-7178-008	B - J303
PCB	B - J1614	VS1-5517-010	B - J1653	VS1-7178-008	B - J1002
PCB	B - J1651	VS1-5729-005	B - J2018	VS1-7178-008	B - J1605
PCB	B - J1652	VS1-5729-009	B - J2002	VS1-7178-010	B - J1653
PCB	B - J1653	VS1-5976-004	B - J941	VS1-7178-011	B - J1606
PCB	B - J1801	VS1-6023-006	B - J931	VS1-7178-011	B - J1652
PCB	B - J1802	VS1-6302-003	B - J2001	VS1-7178-012	B - J1609
PCB	B - J1804	VS1-6304-003	B - J2038	VS1-7178-014	B - J102

VS1-7178-015 B - J101
 VS1-7178-015 B - J503
 VS1-7178-015 B - J2017

PARTS NUMBER	FIGURE & KEY NO.	PARTS NUMBER	FIGURE & KEY NO.	PARTS NUMBER	FIGURE & KEY NO
VS1-7507-002	900 - 16	WS3-5301-000	B - J2002	XB2-4300-607	940 - 501
VS1-7507-002	B - J2042	WS3-5301-000	B - J2018	XB2-7400-607	130 - 502
VS3-5080-002	B - J2042	WS3-5569-000	B - J2001	XB2-7400-607	940 - 502
VS3-5083-002	B - J1001	WS3-5571-000	B - J2038	XB2-8300-607	420 - 503
VS3-5083-005	B - J2	WS3-5596-000	B - J2022	XB2-8300-809	210 - 508
VS3-5083-005	B - J1003	WS4-0217-000	B - J2024	XB2-8300-809	420 - 504
VS3-5083-005	B - J1801	WS4-0219-000	B - J2024	XB4-7300-609	100 - 506
VS3-5083-006	B - J4	WT1-5155-000	B - J2042	XB4-7401-009	100 - 507
VS3-5083-006	B - J1802	WT2-5565-000	130 - 19	XB4-7401-209	160 - 502
VS3-5083-007	B - J1611	WT2-5565-000	210 - 24C	XB6-7300-409	430 - 502
VS3-5083-008	B - J5	WT2-5565-000	900 - 20	XB6-7300-607	100 - 508
VS3-5083-008	B - J502	WT2-5626-000	995 - 3	XB6-7300-607	900 - 504
VS3-5083-009	B - J6	XA9-0265-010	100 - 32	XB6-7300-609	420 - 505
VS3-5083-009	B - J301	XA9-0265-010	100 - 33	XB6-7400-607	100 - 509
VS3-5083-009	B - J2002	XA9-0265-010	900 - 21	XB6-7400-607	210 - 509
VS3-5083-010	B - J3	XA9-0385-000	100 - 34	XB7-2100-409	210 - 510
VS3-5122-003	B - J1101	XA9-0425-030	430 - 12	XD1-2101-005	210 - 511
VS4-0001-002	B - J2024	XA9-0546-020	210 - 47	XD1-4200-402	110 - 506
VS4-0002-002	B - J2024	XA9-0591-000	130 - 20	XD1-4200-502	110 - 507
VS9-5009-016	B - J303	XA9-0591-000	130 - 21	XD2-1100-642	210 - 512
VS9-5009-016	B - J1605	XA9-0596-000	420 - 20	XD2-1100-642	210 - 513
VS9-5009-022	B - J1606	XA9-0629-000	100 - 35	XD2-1100-642	430 - 503
VS9-5009-024	B - J1609	XA9-0670-000	130 - 22	XD2-1100-642	430 - 504
VT2-5161-030	B - J901	XA9-0980-000	100 - 36	XD2-2300-202	420 - 506
VT2-5161-030	B - J2050	XA9-1035-000	900 - 22	XD2-2300-202	430 - 505
VT2-5162-030	B - J1608	XB1-2300-409	420 - 501	XF9-0422-000	210 - 48
WE8-5168-000	900 - 17	XB1-2300-409	430 - 501	XG9-0249-000	210 - 49
WE8-5184-000	110 - 9	XB1-2300-607	110 - 501	XH9-0105-000	100 - 37
WE8-5184-000	900 - 9B	XB1-2300-607	995 - 501	XZ9-0617-000	100 - 38
WE8-5256-000	900 - 8A	XB1-2300-609	130 - 501		
WE8-5496-000	210 - 25B	XB1-2301-209	210 - 501		
WE8-5496-000	210 - 46	XB1-2301-209	420 - 502		
WE8-5496-000	900 - 18	XB1-2400-505	100 - 501		
WE8-5778-000	900 - 11A	XB1-2400-603	110 - 502		
WE8-5780-000	900 - 19	XB1-2400-607	100 - 502		
WE8-5800-000	900 - 12C	XB1-2400-607	110 - 503		
WK1-5148-000	932 - BAT160	XB1-2400-607	210 - 502		
	1	XB1-2400-607	900 - 501		
WS3-5160-000	B - J2	XB1-2400-607	900 - 502		
WS3-5160-000	B - J3	XB1-2400-607	995 - 502		
WS3-5160-000	B - J4	XB1-2400-609	100 - 503		
WS3-5160-000	B - J5	XB1-2400-609	210 - 503		
WS3-5160-000	B - J6	XB1-2400-609	210 - 504		
WS3-5160-000	B - J301	XB1-2400-609	210 - 505		
WS3-5160-000	B - J502	XB1-2400-609	210 - 506		
WS3-5160-000	B - J1001	XB1-2401-007	100 - 504		
WS3-5160-000	B - J1003	XB1-2401-009	210 - 507		
WS3-5160-000	B - J1611	XB1-2401-609	160 - 501		
WS3-5160-000	B - J1801	XB1-2402-009	110 - 504		
WS3-5160-000	B - J1802	XB1-2403-009	900 - 503		
WS3-5160-000	B - J2002	XB1-2500-606	110 - 505		
WS3-5292-000	B - J1101	XB1-3400-806	100 - 505		

Color
 imageRUNNER
 C2050/2020/2058
 iR C2100/2100S/
 2105/
 2105S(Numerical
 Index)

NUMERICAL INDEX

Color imageRUNNER C2050/2020/2058 iR C2100/2100S/2105/2105S(Num

PARTS NUMBER	FIGURE & KEY NO.	PARTS NUMBER	FIGURE & KEY NO.	PARTS NUMBER	FIGURE & KEY NO.
FA2-7162-000	101 - 1	FB3-2872-000	940 - 1	FB4-6646-000	810 - 4
FA2-8225-000	371 - 1	FB3-2880-000	310 - 8	FB4-6646-000	830 - 3
FA3-8727-000	315 - 1	FB3-2881-000	310 - 9	FB4-6647-000	830 - 4
FA4-1149-000	371 - 2	FB3-2894-020	310 - 10	FB4-6700-000	310 - 28
FA4-1159-000	105 - 1	FB3-2896-000	310 - 11	FB4-6704-000	131 - 5
FA4-1159-000	315 - 2	FB3-2897-020	310 - 12	FB4-7478-000	101 - 8
FA5-2163-000	371 - 3	FB3-2898-020	310 - 13	FB5-0782-000	103 - 1
FA6-0745-000	101 - 2	FB3-2922-000	300 - 3	FB5-0783-000	103 - 2
FA6-3071-020	830 - 1	FB3-2926-000	300 - 4	FB5-0784-000	103 - 3
FA9-2112-000	250 - 1	FB3-2927-000	300 - 5	FB5-0785-000	103 - 4
FA9-2112-000	270 - 1	FB3-2928-000	300 - 6	FB5-0786-000	103 - 5
FA9-2112-000	280 - 1	FB3-2930-000	300 - 7	FB5-0787-000	107 - 1
FA9-2112-000	365 - 1	FB3-2934-000	300 - 8	FB5-0788-000	103 - 6
FA9-2112-000	370 - 1	FB3-2937-000	104 - 3	FB5-0789-000	103 - 7
FA9-2112-000	371 - 4	FB3-2941-000	300 - 9	FB5-0798-000	510 - 1
FA9-2112-000	530 - 1	FB3-2942-000	300 - 10	FB5-8004-000	102 - 3
FA9-3313-030	300 - 1	FB3-2943-000	300 - 11	FB5-8029-000	510 - 2
FA9-3314-030	300 - 2	FB3-2947-000	102 - 1	FB5-8031-000	510 - 3
FA9-3466-000	370 - 2	FB3-2948-000	102 - 2	FB5-8032-000	510 - 4
FA9-3611-000	310 - 1	FB3-2953-000	300 - 12	FB5-8034-000	510 - 5
FA9-3781-000	350 - 1	FB3-2955-000	300 - 13	FB5-8035-000	510 - 6
FB1-6825-000	810 - 2	FB3-2956-000	300 - 14	FB5-8036-000	510 - 7
FB1-7039-000	371 - 5	FB3-2994-000	360 - 1	FB5-8037-000	510 - 8
FB1-7040-000	371 - 6	FB3-2995-000	360 - 2	FB5-8038-000	510 - 9
FB1-7045-000	371 - 7	FB3-2996-000	360 - 3	FB5-8040-000	510 - 10
FB1-7234-000	810 - 3	FB3-2997-000	360 - 4	FB5-8055-000	315 - 6
FB1-8581-000	315 - 3	FB3-3142-000	101 - 4	FB5-8057-000	316 - 5
FB1-8581-000	315 - 3	FB3-3143-020	101 - 5	FB5-8058-000	316 - 6
FB1-8584-000	315 - 30A	FB3-5597-000	310 - 14	FB5-8059-000	316 - 7
FB1-8619-000	316 - 1	FB3-6085-000	101 - 6	FB5-8060-000	315 - 24A
FB1-8621-000	316 - 2	FB3-7117-000	101 - 7	FB5-8067-000	315 - 7
FB1-8625-000	316 - 3	FB4-1967-000	140 - 2	FB5-8068-000	315 - 8
FB1-8761-000	315 - 4	FB4-2581-000	131 - 1	FB5-8070-000	315 - 9
FB2-0573-000	535 - 39A	FB4-2582-000	131 - 2	FB5-8073-000	315 - 10
FB2-1371-000	830 - 2	FB4-2583-000	131 - 3	FB5-8074-000	315 - 11
FB2-3664-000	104 - 1	FB4-2585-000	131 - 4	FB5-8079-000	315 - 12
FB2-3665-000	104 - 2	FB4-2817-000	310 - 15	FB5-8085-000	315 - 13
FB2-3843-000	620 - 1	FB4-2987-000	310 - 16	FB5-8087-000	315 - 14
FB2-4375-000	250 - 2	FB4-3343-000	310 - 17	FB5-8088-000	315 - 15
FB2-7546-000	315 - 5	FB4-3800-000	310 - 18	FB5-8089-000	315 - 16
FB3-2259-000	101 - 3	FB4-3801-000	310 - 19	FB5-8090-000	315 - 17
FB3-2584-000	265 - 1	FB4-3954-000	300 - 15	FB5-8092-000	316 - 8
FB3-2588-000	265 - 2	FB4-4661-000	370 - 3	FB5-8093-000	315 - 18
FB3-2588-000	371 - 8	FB4-5347-000	310 - 20	FB5-8095-000	315 - 19
FB3-2811-000	140 - 1	FB4-5348-000	310 - 21	FB5-8097-000	315 - 25A
FB3-2836-000	316 - 4	FB4-5349-000	310 - 22	FB5-8098-000	315 - 20
FB3-2844-000	310 - 2	FB4-5350-000	310 - 23	FB5-8099-000	316 - 9
FB3-2855-020	310 - 3	FB4-5364-000	310 - 24	FB5-0900-000	315 - 21
FB3-2856-000	310 - 4	FB4-5365-000	310 - 25	FB5-0941-000	103 - 8
FB3-2863-000	310 - 5	FB4-5366-000	310 - 26	FB5-0943-000	103 - 9
FB3-2864-000	310 - 6	FB4-5367-000	310 - 27	FB5-0947-000	103 - 10
FB3-2868-020	310 - 7	FB4-6635-000	350 - 2	FB5-0948-000	103 - 11

NUMERICAL INDEX

Color imageRUNNER C2050/2020/2058 iR C2100/2100S/2105/2105S(Num

PARTS NUMBER	FIGURE & KEY NO.	PARTS NUMBER	FIGURE & KEY NO.	PARTS NUMBER	FIGURE & KEY NO.
FB5-0998-000	620 - 2	FB5-1210-000	350 - 17	FB5-1366-000	580 - 3
FB5-1000-000	620 - 3	FB5-1214-00U	320 - 1	FB5-1370-000	580 - 4
FB5-1001-000	620 - 4	FB5-1215-000	320 - 2	FB5-1374-000	106 - 2
FB5-1002-000	620 - 5	FB5-1216-000	320 - 3	FB5-1379-000	710 - 1
FB5-1004-000	620 - 6	FB5-1231-000	104 - 4	FB5-1380-000	710 - 2
FB5-1005-000	620 - 7	FB5-1231-000	104 - 5	FB5-1390-000	710 - 3
FB5-1006-000	620 - 35	FB5-1234-000	530 - 2	FB5-1395-000	770 - 1
FB5-1007-000	620 - 8	FB5-1235-000	530 - 3	FB5-1396-000	710 - 4
FB5-1008-000	620 - 9	FB5-1248-020	530 - 4	FB5-1397-000	770 - 2
FB5-1014-000	620 - 10	FB5-1251-000	530 - 6	FB5-1404-000	710 - 5
FB5-1017-000	620 - 11	FB5-1255-000	105 - 5	FB5-1407-000	770 - 3
FB5-1033-000	105 - 2	FB5-1257-000	105 - 6	FB5-1417-000	104 - 6
FB5-1034-000	102 - 4	FB5-1259-000	105 - 7	FB5-1418-000	104 - 7
FB5-1036-000	105 - 3	FB5-1260-000	105 - 8	FB5-1420-000	530 - 7
FB5-1038-000	105 - 4	FB5-1261-000	105 - 9	FB5-1428-000	101 - 9
FB5-1097-020	102 - 5	FB5-1262-000	105 - 10	FB5-1451-000	140 - 3
FB5-1097-020	106 - 1	FB5-1278-000	105 - 11	FB5-1452-000	140 - 4
FB5-1111-000	270 - 2	FB5-1279-000	535 - 1	FB5-1453-000	140 - 5
FB5-1131-000	810 - 5	FB5-1280-000	535 - 2	FB5-1454-000	140 - 6
FB5-1132-000	810 - 6	FB5-1284-000	535 - 3	FB5-1455-000	140 - 7
FB5-1134-000	810 - 7	FB5-1285-000	535 - 4	FB5-1463-000	102 - 6
FB5-1139-000	810 - 8	FB5-1288-000	535 - 5	FB5-1465-000	105 - 15A
FB5-1140-000	810 - 9	FB5-1293-000	535 - 6	FB5-1467-000	105 - 12
FB5-1144-000	810 - 10	FB5-1294-000	535 - 7	FB5-1468-000	105 - 12
FB5-1146-000	810 - 11	FB5-1295-000	535 - 8	FB5-1469-000	105 - 14
FB5-1147-000	810 - 12	FB5-1298-000	535 - 9	FB5-1471-000	104 - 8
FB5-1148-000	810 - 13	FB5-1300-000	535 - 10	FB5-1473-000	104 - 9
FB5-1152-000	810 - 14	FB5-1303-000	535 - 11	FB5-1482-000	300 - 16
FB5-1155-000	810 - 15	FB5-1305-000	535 - 12	FB5-1484-000	300 - 17
FB5-1168-000	810 - 16	FB5-1306-000	535 - 13	FB5-1485-000	300 - 17
FB5-1171-000	810 - 17	FB5-1307-000	535 - 14	FB5-1488-000	300 - 18
FB5-1172-000	810 - 18	FB5-1308-000	535 - 15	FB5-1492-000	530 - 8
FB5-1173-000	810 - 19	FB5-1309-000	535 - 16	FB5-1493-000	530 - 9
FB5-1180-000	810 - 20	FB5-1310-000	535 - 17	FB5-1497-000	106 - 3
FB5-1183-000	810 - 21	FB5-1311-000	535 - 18	FB5-1497-000	106 - 4
FB5-1184-000	810 - 22	FB5-1312-000	535 - 19	FB5-1498-000	106 - 5
FB5-1187-000	810 - 23	FB5-1313-000	535 - 20	FB5-1498-000	106 - 6
FB5-1190-000	810 - 24	FB5-1314-000	535 - 21	FB5-1514-000	106 - 7
FB5-1191-000	350 - 3	FB5-1315-000	535 - 22	FB5-1514-000	106 - 8
FB5-1196-000	350 - 4	FB5-1316-000	535 - 23	FB5-1515-000	103 - 12
FB5-1197-000	350 - 5	FB5-1317-020	535 - 24	FB5-1522-000	101 - 10
FB5-1198-000	350 - 6	FB5-1318-000	535 - 25	FB5-1523-000	101 - 11
FB5-1199-00U	350 - 7	FB5-1319-000	535 - 26	FB5-1524-000	101 - 12
FB5-1200-000	350 - 8	FB5-1320-000	535 - 27	FB5-1525-000	101 - 13
FB5-1201-000	350 - 9	FB5-1322-000	535 - 28	FB5-1526-000	101 - 14
FB5-1202-000	350 - 10	FB5-1323-000	535 - 29	FB5-1528-000	101 -
FB5-1203-000	350 - 11	FB5-1324-000	535 - 30	FB5-1531-000	131 - 6
FB5-1204-000	350 - 12	FB5-1325-000	535 - 31	FB5-1532-000	131 - 7
FB5-1205-000	350 - 13	FB5-1331-000	535 - 32	FB5-1533-000	101 - 15
FB5-1206-000	350 - 14	FB5-1333-000	535 - 33	FB5-1534-000	101 - 16
FB5-1207-000	350 - 15	FB5-1364-000	580 - 1	FB5-1536-000	101 - 17
FB5-1209-000	350 - 16	FB5-1365-000	580 - 2	FB5-1540-000	101 - 18

NUMERICAL INDEX

Color imageRUNNER C2050/2020/2058 iR C2100/2100S/2105/2105S(Num

PARTS NUMBER	FIGURE & KEY NO.	PARTS NUMBER	FIGURE & KEY NO.	PARTS NUMBER	FIGURE & KEY NO
FB5-1542-000	101 - 19	FB5-1789-000	131 - 8	FB5-2946-000	310 - 29
FB5-1544-000	101 - 20	FB5-1790-000	131 - 9	FB5-2946-000	315 - 22
FB5-1546-000	101 - 21	FB5-1791-000	131 - 10	FB5-3730-000	922 - 2
FB5-1555-000	810 - 25	FB5-1792-000	131 - 11	FB5-3760-000	112 - 1
FB5-1558-000	810 - 26	FB5-1793-000	131 - 12	FB5-3760-000	113 - 1
FB5-1559-000	810 - 27	FB5-1794-000	131 - 13	FB5-3765-000	101 - 26
FB5-1562-020	810 - 28	FB5-1795-000	131 - 14	FB5-3776-000	103 - 13
FB5-1564-000	810 - 29	FB5-1797-000	131 - 15	FB5-3782-000	306 - 1
FB5-1565-000	810 - 30	FB5-1798-000	131 - 16	FB5-3783-000	002 - 1
FB5-1566-000	810 - 31	FB5-1799-000	131 - 17	FB5-3784-000	002 - 2
FB5-1569-000	810 - 32	FB5-1807-000	131 - 11	FB5-3792-000	365 - 6
FB5-1570-000	810 - 33	FB5-1808-000	131 - 11	FB5-3811-000	300 - 20
FB5-1574-000	106 - 9	FB5-1809-000	131 - 11	FB5-3812-000	300 - 21
FB5-1575-000	106 - 10	FB5-1810-000	131 - 11	FB5-3813-000	300 - 22
FB5-1576-000	106 - 11	FB5-1811-000	131 - 12	FB5-3818-000	103 - 14
FB5-1577-000	106 - 12	FB5-1812-000	131 - 12	FB5-3820-000	371 - 21
FB5-1584-000	106 - 13	FB5-1813-000	131 - 12	FB5-3836-000	107 - 2
FB5-1602-000	101 - 22	FB5-1814-000	131 - 12	FB5-3837-000	107 - 3
FB5-1603-000	350 - 18	FB5-2195-000	922 - 1	FB5-3839-000	101 - 27
FB5-1604-000	350 - 19	FB5-2265-020	360 - 5	FB5-3842-000	104 - 10
FB5-1612-000	350 - 20	FB5-2266-030	360 - 6	FB5-3851-000	310 - 30
FB5-1616-000	350 - 21	FB5-2267-030	360 - 7	FB5-3852-000	310 - 31
FB5-1617-000	350 - 22	FB5-2268-000	360 - 8	FB5-3853-000	310 - 32
FB5-1618-000	350 - 23	FB5-2269-000	360 - 9	FB5-3857-000	103 - 15
FB5-1629-000	830 - 5	FB5-2272-000	360 - 10	FB5-3863-000	370 - 7
FB5-1631-000	830 - 7	FB5-2275-000	360 - 11	FB5-3864-000	370 - 8
FB5-1633-000	830 - 8	FB5-2279-000	360 - 12	FB5-3865-000	370 - 9
FB5-1634-000	830 - 9	FB5-2280-000	360 - 13	FB5-3871-000	370 - 10
FB5-1637-000	830 - 6	FB5-2282-000	267 - 1	FB5-3875-000	370 - 15A
FB5-1653-000	371 - 9	FB5-2282-000	360 - 14	FB5-3876-000	370 - 16A
FB5-1655-000	371 - 10	FB5-2283-000	360 - 15	FB5-3877-000	370 - 16B
FB5-1656-00U	350 - 24	FB5-2284-000	360 - 16	FB5-3892-000	102 - 15A
FB5-1657-000	371 - 11	FB5-2285-000	360 - 17	FB5-3895-000	370 - 16C
FB5-1659-000	371 - 12	FB5-2288-000	360 - 18	FB5-3897-000	104 - 11
FB5-1660-000	371 - 13	FB5-2301-000	260 - 1	FB5-3898-000	620 - 12
FB5-1668-000	370 - 4	FB5-2301-000	360 - 19	FB5-3906-000	300 - 23
FB5-1677-000	371 - 14	FB5-2306-020	360 - 20	FB5-3924-000	102 - 11
FB5-1678-000	365 - 2	FB5-2308-020	360 - 21	FB5-3928-000	104 - 12
FB5-1681-000	365 - 3	FB5-2310-000	360 - 22	FB5-3929-000	535 - 34
FB5-1685-000	371 - 15	FB5-2311-000	360 - 23	FB5-3931-000	360 - 29A
FB5-1686-000	371 - 16	FB5-2312-000	360 - 24	FB5-3933-000	102 - 12
FB5-1691-020	371 - 17	FB5-2313-000	360 - 25	FB5-3939-000	535 - 35
FB5-1699-000	371 - 18	FB5-2317-000	360 - 26	FB5-3940-000	535 - 36
FB5-1700-000	365 - 4	FB5-2341-000	102 - 7	FB5-3941-00U	103 - 16
FB5-1711-000	371 - 24A	FB5-2344-000	102 - 8	FB5-3945-000	103 - 17
FB5-1716-000	371 - 19	FB5-2346-000	102 - 9	FB5-3950-000	101 - 28
FB5-1718-000	371 - 25A	FB5-2352-000	102 - 10	FB5-3952-000	105 - 17A
FB5-1719-000	370 - 5	FB5-2357-000	101 - 23	FB5-3953-000	315 - 24B
FB5-1724-000	370 - 6	FB5-2358-000	101 - 24	FB5-8341-000	535 - 37
FB5-1725-000	371 - 20	FB5-2359-000	101 - 25	FB5-8342-000	535 - 38
FB5-1731-000	365 - 5	FB5-2389-000	996 - 1	FB5-8343-000	101 - 29
FB5-1764-000	290 - 1	FB5-2591-000	131 - 18	FB5-8344-000	101 - 29

NUMERICAL INDEX

Color imageRUNNER C2050/2020/2058 iR C2100/2100S/2105/2105S(Num

PARTS NUMBER	FIGURE & KEY NO.	PARTS NUMBER	FIGURE & KEY NO.	PARTS NUMBER	FIGURE & KEY NO.
FB5-8353-000	300 - 24	FF5-4634-020	310 - 37	FF5-9379-000	370 - 15
FB5-8362-000	530 - 10	FF5-5792-000	370 - 12	FF5-9380-000	371 - 23
FB5-8363-000	315 - 23	FF5-9244-000	105 - 15	FF5-9386-000	371 - 24
FB5-8367-000	530 - 11	FF5-9254-000	105 - 16	FF5-9387-020	371 - 25
FB5-8385-000	103 - 22A	FF5-9256-000	316 - 10	FF5-9390-000	370 - 16
FB5-8385-000	106 - 14	FF5-9261-000	315 - 24	FF5-9391-000	101 - 31
FB5-8385-000	106 - 15	FF5-9262-000	315 - 25	FF6-0615-000	102 - 15
FB5-8386-000	108 - 1	FF5-9263-000	315 - 26	FF6-0617-000	102 - 16
FB5-8387-000	103 - 18	FF5-9264-000	315 - 27	FF6-0619-000	365 - 7
FB5-8623-000	002 - 3	FF5-9265-000	315 - 28	FF6-0620-000	365 - 8
FB5-8624-000	002 - 3	FF5-9266-000	315 - 29	FF6-0628-000	101 - 32
FB5-8625-000	002 - 3	FF5-9278-000	250 - 3	FF6-0629-000	580 - 5
FB5-8626-000	002 - 3	FF5-9282-000	102 - 14	FF6-0630-000	580 - 6
FB5-8627-000	002 - 3	FF5-9285-000	290 - 2	FF6-0632-000	101 - 33
FB5-8628-000	002 - 3	FF5-9287-000	360 - 27	FF6-0789-030	360 - 29
FB5-8629-000	002 - 3	FF5-9288-000	360 - 28	FF6-0793-000	530 - 16
FB5-9718-000	370 - 11	FF5-9291-00U	106 - 16	FF6-0795-000	350 - 27
FB5-9727-000	270 - 3	FF5-9292-000	106 - 17	FF6-0795-000	810 - 42
FB5-9728-000	770 - 4	FF5-9293-000	106 - 18	FF6-0796-000	103 - 23
FB6-4285-000	102 - 7	FF5-9294-000	106 - 19	FF6-0797-000	300 - 30
FB6-4286-000	102 - 4	FF5-9295-000	810 - 34	FF6-0799-000	105 - 17
FB6-4288-000	370 - 8	FF5-9298-000	810 - 35	FF6-0800-000	535 - 43
FB6-4291-000	101 - 29	FF5-9299-000	810 - 36	FF6-0802-000	810 - 43
FB6-4292-000	101 - 29	FF5-9300-000	810 - 37	FF6-0804-000	103 - 22
FB6-4293-000	101 - 29	FF5-9305-000	810 - 38	FF6-0805-000	101 - 34
FB6-4294-000	710 - 6	FF5-9306-000	810 - 39	FF6-0984-000	103 - 23
FB6-4297-000	530 - 12	FF5-9308-000	810 - 40	FF6-0986-000	535 - 44
FB6-4298-000	530 - 13	FF5-9310-000	106 - 20	FF6-0987-000	535 - 45
FB6-4299-000	530 - 14	FF5-9311-00U	350 - 25	FF6-0988-000	535 - 46
FB6-4300-000	530 - 15	FF5-9314-000	710 - 8	FF6-0989-000	105 - 19
FC2-2121-000	620 - 13	FF5-9316-000	770 - 5	FF6-0991-000	002 - 4
FC6-7022-000	810 - 1	FF5-9318-000	830 - 10	FF6-0994-000	103 - 23
FC7-2025-000	300 - 19	FF5-9319-000	830 - 11	FF6-0995-000	101 - 35
FF3-1170-000	102 - 18A	FF5-9324-000	535 - 39	FF6-0996-000	101 - 36
FF3-1171-000	102 - 13	FF5-9325-000	535 - 40	FF6-2236-000	105 - 18
FF3-2974-000	310 - 33	FF5-9326-000	535 - 41	FF6-2236-000	105 - 18
FF3-2975-000	310 - 34	FF5-9327-000	535 - 42	FF6-2239-020	710 - 9
FF3-3826-000	910 - 1	FF5-9338-000	104 - 13	FG3-0644-00U	930 - 1
FF3-3827-000	112 - 2	FF5-9341-000	370 - 13	FG3-0645-000	933 - 1
FF3-3828-000	112 - 3	FF5-9349-000	103 - 19	FG3-0651-000	535 - 47
FF3-3829-000	113 - 2	FF5-9350-000	103 - 20	FG3-0652-000	535 - 47
FF3-3830-000	113 - 3	FF5-9351-000	103 - 21	FG3-0654-000	915 - 1
FF3-3831-020	113 - 4	FF5-9354-000	315 - 30	FG3-0662-000	910 - 2
FF3-4119-000	940 - 2	FF5-9355-000	300 - 28	FG3-0663-000	106 - 22
FF5-2128-000	620 - 14	FF5-9358-000	300 - 29	FG3-0665-000	360 - 30
FF5-4081-000	620 - 15	FF5-9359-000	300 - 29	FG3-0668-020	315 - 31
FF5-4081-000	710 - 7	FF5-9367-000	370 - 14	FG3-0669-020	315 - 32
FF5-4491-000	300 - 25	FF5-9367-000	371 - 22	FG3-0671-000	930 - 1
FF5-4524-020	310 - 35	FF5-9373-000	101 - 30	FG3-0673-000	910 - 2
FF5-4548-030	300 - 26	FF5-9374-000	106 - 21	FG3-0675-070	930 - 2
FF5-4552-020	310 - 36	FF5-9376-000	810 - 41	FG3-0676-000	710 - 10
FF5-4569-020	300 - 27	FF5-9377-000	350 - 26	FG3-0678-030	930 - 2

NUMERICAL INDEX

Color imageRUNNER C2050/2020/2058 iR C2100/2100S/2105/2105S(Num

PARTS NUMBER	FIGURE & KEY NO.	PARTS NUMBER	FIGURE & KEY NO.	PARTS NUMBER	FIGURE & KEY NO
FG3-0679-020	930 - 2	FG3-0734-000	107 - 5	FG3-0821-000	915 - 4
FG3-0680-000	930 - 1	FG3-0735-000	107 - 6	FG3-0823-000	930 - 1
FG3-0692-000	770 - 6	FG3-0736-000	107 - 7	FG3-0825-000	930 - 1
FG3-0693-000	770 - 7	FG3-0737-000	250 - 4	FG3-0827-000	965 - 1
FG3-0694-000	316 - 11	FG3-0738-000	250 - 5	FG3-0832-000	965 -
FG3-0698-000	620 - 16	FG3-0739-000	915 - 2	FG3-0908-000	966 - 2
FG3-0699-000	107 - 4	FG3-0741-000	106 - 25	FG3-1230-000	925 -
FG3-0704-000	112 - 4	FG3-0744-000	108 - 2	FG3-2685-000	930 -
FG3-0704-000	113 - 5	FG3-0745-000	985 - 1	FG3-2687-000	930 -
FG3-0705-000	112 - 5	FG3-0746-000	108 - 3	FG5-3064-000	975 -
FG3-0705-000	113 - 6	FG3-0747-000	360 - 31	FG5-6288-000	102 - 18
FG3-0706-000	112 - 6	FG3-0748-000	108 - 3	FG6-0822-000	770 - 10
FG3-0706-000	113 - 7	FG3-0749-000	107 - 8	FG6-4123-000	112 -
FG3-0707-000	112 - 7	FG3-0750-000	910 - 4	FG6-4124-000	112 - 12
FG3-0708-000	112 - 8	FG3-0751-000	360 - 32	FG6-4132-010	315 -
FG3-0709-000	112 - 9	FG3-0752-000	360 - 33	FG6-4133-000	316 -
FG3-0710-000	112 - 10	FG3-0753-000	360 - 34	FG6-4134-000	260 -
FG3-0711-000	112 - 11	FG3-0754-000	360 - 35	FG6-4135-00U	265 -
FG3-0711-000	113 - 8	FG3-0755-000	370 - 17	FG6-4136-00U	320 -
FG3-0712-000	910 - 3	FG3-0756-000	290 - 3	FG6-4137-000	140 -
FG3-0714-000	113 - 9	FG3-0757-000	370 - 18	FG6-4142-000	310 -
FG3-0715-000	810 - 44	FG3-0758-000	370 - 19	FG6-4143-000	620 -
FG3-0715-000	B - J5104	FG3-0759-000	365 - 9	FG6-4154-000	250 -
FG3-0715-000	B - J6504	FG3-0761-000	535 - 49	FG6-4155-000	280 -
FG3-0715-000	B - J6505	FG3-0762-000	267 - 2	FG6-4157-070	535 -
FG3-0715-000	B - J6506	FG3-0763-000	360 - 36	FG6-4159-030	535 - 50
FG3-0715-000	B - J6507	FG3-0764-000	113 - 10	FG6-4167-000	580 -
FG3-0715-000	B - J6510	FG3-0765-000	113 - 11	FG6-4169-000	830 -
FG3-0716-000	810 - 45	FG3-0766-000	112 - 8	FG6-4170-000	810 -
FG3-0717-000	193 - 1	FG3-0767-000	113 - 12	FG6-4171-000	810 -
FG3-0718-020	106 - 23	FG3-0768-000	113 - 12	FG6-4172-000	810 -
FG3-0719-000	106 - 24	FG3-0769-000	113 - 12	FG6-4173-00U	350 -
FG3-0720-000	105 - 20	FG3-0770-000	106 - 26	FG6-4174-000	103 - 24
FG3-0721-000	102 - 17	FG3-0770-000	B - J5103	FG6-4183-020	270 -
FG3-0722-000	530 - 17	FG3-0770-000	B - J5104	FG6-4185-000	360 -
FG3-0722-000	B - J701	FG3-0782-100	933 - 2	FG6-4186-000	267 -
FG3-0722-000	B - J702	FG3-0783-100	933 - 2	FG6-4188-000	290 -
FG3-0722-000	B - J703	FG3-0785-100	933 - 2	FG6-4191-030	371 -
FG3-0722-000	B - J6409	FG3-0785-100	933 -	FG6-4192-000	985 -
FG3-0722-000	B - J6411	FG3-0786-100	933 - 2	FG6-4201-000	940 -
FG3-0722-000	B - J6413	FG3-0787-100	933 - 2	FG6-4202-000	101 - 37
FG3-0722-000	B - J6414	FG3-0788-100	933 - 2	FG6-4203-000	101 - 37
FG3-0722-000	B - J6415	FG3-0789-100	933 - 2	FG6-4204-000	101 - 37
FG3-0722-000	B - J6416	FG3-0790-100	933 - 2	FG6-4205-000	101 - 37
FG3-0722-000	B - J6417	FG3-0791-100	933 - 2	FG6-4206-000	915 -
FG3-0723-000	535 - 48	FG3-0793-000	192 - 1	FG6-4223-000	109 - 1
FG3-0724-000	770 - 8	FG3-0796-000	190 - 1	FG6-4224-00U	190 -
FG3-0726-000	315 - 33	FG3-0797-000	104 - 14	FG6-4226-000	191 -
FG3-0727-000	315 - 34	FG3-0817-000	306 - 2	FG6-4227-000	192 -
FG3-0728-000	320 - 4	FG3-0818-000	306 - 2	FG6-4233-000	306 -
FG3-0729-000	105 - 21	FG3-0819-000	915 - 3	FG6-4241-000	910 -
FG3-0732-000	620 - 17	FG3-0820-000	770 - 9	FG6-4242-000	910 -

NUMERICAL INDEX

Color imageRUNNER C2050/2020/2058 iR C2100/2100S/2105/2105S(Num

PARTS NUMBER	FIGURE & KEY NO.	PARTS NUMBER	FIGURE & KEY NO.	PARTS NUMBER	FIGURE & KEY NO
FG6-4243-000	280 - 2	FH2-6819-000	102 - 19	FH7-3384-000	103 - 26
FG6-4244-000	280 - 3	FH2-6819-000	B - J6263	FH7-4509-000	305 - 1
FG6-4253-000	306 -	FH2-6819-000	B - J6264	FH7-4576-000	305 - 1
FG6-4254-000	306 -	FH2-6819-000	B - J6265	FH7-4640-000	810 - 47
FG6-4273-000	112 -	FH2-6819-000	B - J6266	FH7-4641-000	810 - 48
FG6-4274-000	113 -	FH2-9237-000	108 - 6	FH7-4642-000	810 - 47
FG6-4275-000	113 -	FH2-9237-000	B - J4101	FH7-4643-000	810 - 48
FG6-4276-030	113 -	FH2-9237-000	B - J4102	FH7-4644-000	810 - 47
FG6-4277-000	106 - 27	FH2-9237-000	B - J4103	FH7-4645-000	810 - 48
FG6-4302-000	113 - 13	FH2-9237-000	B - J4104	FH7-4646-000	306 - 3
FG6-4312-000	920 -	FH2-9237-000	B - J6370	FH7-4647-000	104 - 16
FG6-4313-00U	922 -	FH2-9237-000	B - J6371	FH7-4648-000	306 - 3
FG6-4314-000	131 - 19	FH2-9237-000	B - J6372	FH7-4649-000	104 - 16
FG6-4315-000	131 - 20	FH2-9237-000	B - J6373	FH7-4657-000	306 - 3
FG6-4316-000	922 - 3	FH2-9238-000	535 - 52	FH7-4658-000	104 - 16
FG6-4317-000	922 - 4	FH2-9239-000	535 - 53	FH7-4669-000	305 - 1
FG6-4318-000	922 - 5	FH2-9240-000	535 - 54	FH7-5764-000	265 - 3
FG6-4319-000	922 - 6	FH2-9241-000	108 - 7	FH7-5770-000	310 - 39
FG6-4581-000	996 -	FH2-9241-000	B - J6368	FH7-5782-000	310 - 40
FG6-5428-000	131 - 21	FH3-0775-000	925 - T1	FH7-5916-000	250 - 6
FG6-5854-000	193 -	FH3-0931-000	985 - T920	FH7-5917-000	250 - 7
FG6-5855-000	194 -	FH3-0963-000	770 - 9A	FH7-5918-000	267 - 3
FG6-5868-000	370 - 20	FH4-3738-000	920 - Q919	FH7-5918-000	290 - 4
FG6-5869-000	104 - 15	FH4-5121-000	106 - 28	FH7-5918-000	360 - 39
FG6-5873-000	530 - 5	FH4-6056-000	108 - 8	FH7-5923-000	315 - 36
FG6-6079-000	131 - 22	FH4-6137-000	108 - 8	FH7-6307-000	108 - 9
FG6-6793-000	101 - 37	FH6-0745-000	922 - VR941	FH7-6307-000	910 - 3A
FG6-6795-020	770 - 11	FH6-0767-000	922 - LED909	FH7-6310-000	112 - 13
FG6-6798-000	810 - 46	FH6-0767-000	922 - LED910	FH7-6311-000	113 - 15
FG6-7789-000	107 - 9	FH6-0768-000	922 - LED907	FH7-6315-000	530 - 19
FG6-7790-000	535 - 51	FH6-0768-000	922 - LED908	FH7-7422-000	620 - 19
FG6-7791-000	770 -	FH6-0770-000	131 - 23	FH7-7519-000	810 - 50
FG6-7803-00U	265 -	FH6-1486-020	770 - 12	FK2-0144-000	360 - 37
FG6-9254-000	140 - 1	FH6-1544-020	192 - 2	FK2-0247-000	B - J6315
FG6-9291-000	140 -	FH6-1579-020	194 - 1	FK2-0247-000	B - J6319
FG6-9293-000	290 -	FH6-1694-000	107 - 11	FS1-0542-000	290 - 7
FG6-9297-000	267 -	FH6-1696-000	310 - 38	FS1-0578-000	290 - 8
FG6-9302-00U	535 -	FH6-1697-000	620 - 18	FS1-1156-000	106 - 29
FG6-9308-000	101 - 37	FH6-1700-000	190 - 2	FS1-1186-000	265 - 5
FG6-9309-000	101 - 37	FH6-1701-000	193 - 2	FS1-1202-000	270 - 4
FG6-9425-000	101 - 37	FH6-1701-000	370 - 21	FS1-1206-000	710 - 11
FG6-9427-00U	710 -	FH6-1729-000	191 - 1	FS1-1341-000	290 - 9
FG6-9430-000	530 - 18	FH6-1970-000	105 - 22	FS1-1341-000	315 - 38
FH2-5006-000	002 - 5	FH6-5050-000	290 - 6	FS1-1341-000	371 - 26
FH2-5043-000	113 - 14	FH6-5067-000	265 - 4	FS1-1413-000	535 - 56
FH2-6552-000	107 - 10	FH6-5067-000	320 - 5	FS1-1433-000	267 - 4
FH2-6779-000	108 - 4	FH6-5067-000	360 - 38	FS1-1449-000	106 - 30
FH2-6779-000	B - J134	FH6-5068-000	105 - 23	FS1-1465-000	260 - 2
FH2-6779-000	B - J201	FH6-5068-000	315 - 35	FS1-1508-000	267 - 5
FH2-6780-000	108 - 5	FH6-5074-000	290 - 5	FS1-1508-000	350 - 28
FH2-6780-000	B - J101	FH6-5074-000	290 - 6	FS1-1508-000	370 - 23
FH2-6780-000	B - J202	FH7-3383-000	103 - 25	FS1-1508-000	810 - 51

NUMERICAL INDEX

Color imageRUNNER C2050/2020/2058 iR C2100/2100S/2105/2105S(Num

PARTS NUMBER	FIGURE & KEY NO.	PARTS NUMBER	FIGURE & KEY NO.	PARTS NUMBER	FIGURE & KEY NO
FS1-1508-000	830 - 12	FS5-3619-000	310 - 46	FS6-8866-000	316 - 14
FS1-1510-000	267 - 6	FS5-3620-000	310 - 47	FS6-8867-000	300 - 32
FS1-1510-000	290 - 10	FS5-3774-000	260 - 4	FS6-8869-000	300 - 29A
FS1-1510-000	320 - 7	FS5-3774-000	265 - 8	FS6-8874-000	102 - 22
FS1-1510-000	360 - 43	FS5-3775-000	250 - 8	FS6-8877-000	102 - 16A
FS1-1512-000	310 - 42	FS5-3776-000	250 - 9	FS6-8879-000	300 - 29A
FS1-1512-000	320 - 8	FS5-3777-000	267 - 7	FS6-8881-000	710 - 8A
FS1-1512-000	810 - 52	FS5-3778-000	360 - 45	FS6-8901-000	101 - 39
FS1-1594-000	620 - 20	FS5-3779-000	360 - 46	FS6-8902-000	810 - 41A
FS1-1595-000	105 - 25	FS5-6487-000	310 - 48	FS6-8904-000	305 - 2
FS1-9002-010	530 - 20	FS5-6488-000	370 - 28	FS7-0018-000	290 - 12
FS1-9010-020	102 - 20	FS5-6718-000	250 - 10	FS7-0038-000	267 - 10
FS1-9010-020	106 - 31	FS5-6737-000	371 - 30	FS7-0058-000	265 - 9
FS1-9010-020	310 - 43	FS5-9164-000	310 - 49	FS7-0103-000	310 - 66
FS1-9010-020	710 - 12	FS5-9212-020	810 - 55	FS7-0104-000	310 - 67
FS1-9053-020	371 - 27	FS5-9213-020	810 - 56	FS7-0105-000	310 - 68
FS1-9073-020	530 - 21	FS5-9282-020	106 - 32	FS7-0163-000	830 - 15
FS1-9076-020	108 - 10	FS5-9282-020	107 - 13	FS7-0164-000	830 - 16
FS1-9076-020	365 - 10	FS5-9397-000	102 - 21	FS7-0502-000	260 - 5
FS1-9076-020	370 - 24	FS5-9608-000	104 - 17	FS7-0503-000	260 - 6
FS1-9078-020	360 - 44	FS5-9611-000	810 - 57	FS7-0504-000	260 - 7
FS1-9102-020	535 - 57	FS6-0025-000	290 - 11	FS7-0505-000	260 - 8
FS1-9120-020	810 - 53	FS6-0081-000	267 - 13	FS7-0506-000	315 - 42
FS1-9199-000	350 - 29	FS6-0367-000	267 - 8	FS7-0507-000	315 - 43
FS1-9255-020	365 - 11	FS6-0381-000	360 - 47	FS7-0508-000	315 - 44
FS2-1008-000	350 - 30	FS6-0557-000	360 - 48	FS7-0509-000	315 - 45
FS2-1256-000	830 - 13	FS6-0564-000	310 - 50	FS7-0510-000	315 - 46
FS2-2551-000	580 - 7	FS6-0565-000	310 - 51	FS7-0511-000	315 - 47
FS2-3488-000	371 - 28	FS6-0569-000	310 - 52	FS7-0512-000	315 - 48
FS2-9267-020	810 - 54	FS6-0570-000	310 - 53	FS7-0513-000	315 - 49
FS2-9475-000	315 - 39	FS6-0572-000	310 - 54	FS7-0514-000	315 - 50
FS3-0942-000	260 - 3	FS6-0573-000	310 - 55	FS7-0515-000	315 - 51
FS5-0232-000	350 - 31	FS6-0574-000	310 - 56	FS7-0517-000	315 - 52
FS5-0351-000	315 - 40	FS6-0575-000	310 - 57	FS7-0522-000	265 - 10
FS5-0351-000	371 - 29	FS6-0576-000	310 - 58	FS7-0523-000	265 - 11
FS5-0390-000	310 - 44	FS6-0627-000	267 - 9	FS7-0524-000	265 - 12
FS5-0677-000	265 - 6	FS6-0631-000	310 - 59	FS7-0525-000	265 - 13
FS5-0708-000	370 - 25	FS6-0637-000	310 - 60	FS7-0526-000	265 - 14
FS5-0724-000	370 - 26	FS6-0689-000	370 - 29	FS7-0527-000	265 - 15
FS5-0804-000	370 - 27	FS6-2308-000	140 - 10	FS7-0530-000	265 - 16
FS5-1004-000	265 - 7	FS6-2325-000	310 - 61	FS7-0531-000	265 - 17
FS5-1466-000	105 - 26	FS6-2328-020	310 - 62	FS7-0532-000	265 - 18
FS5-1466-000	105 - 27	FS6-2330-000	310 - 63	FS7-0533-000	265 - 19
FS5-1581-000	315 - 41	FS6-2331-000	310 - 64	FS7-0534-000	265 - 20
FS5-1589-000	310 - 45	FS6-2674-000	370 - 30	FS7-0540-000	270 - 5
FS5-1595-000	140 - 8	FS6-2900-000	310 - 65	FS7-0548-000	280 - 4
FS5-1598-000	140 - 9	FS6-8116-000	300 - 27A	FS7-0549-000	280 - 5
FS5-1917-000	510 - 11	FS6-8563-000	101 - 38	FS7-0550-000	250 - 11
FS5-1918-000	510 - 12	FS6-8862-000	316 - 13	FS7-0551-000	250 - 12
FS5-2586-000	830 - 14	FS6-8863-000	316 - 13	FS7-0556-000	535 - 58
FS5-2650-000	300 - 31	FS6-8864-000	316 - 13	FS7-0558-000	280 - 6
FS5-3177-000	316 - 12	FS6-8865-000	316 - 13	FS7-0560-000	280 - 7

NUMERICAL INDEX

Color imageRUNNER C2050/2020/2058 iR C2100/2100S/2105/2105S(Num

PARTS NUMBER	FIGURE & KEY NO.	PARTS NUMBER	FIGURE & KEY NO.	PARTS NUMBER	FIGURE & KEY NO
FS7-0562-000	280 - 8	FS7-2282-000	530 - 24	NPN	365 -
FS7-0563-000	280 - 9	FS7-2283-000	105 - 30	NPN	370 -
FS7-0564-000	280 - 10	FS7-2284-000	710 - 16	NPN	510 -
FS7-0565-000	280 - 11	FS7-2285-000	710 - 17	NPN	530 -
FS7-0566-000	280 - 12	FS7-2286-000	770 - 13	NPN	930 -
FS7-0568-000	620 - 21	FS7-2287-000	104 - 18	NPN	933 -
FS7-0569-000	620 - 22	FS7-2288-000	104 - 19	NPN	965 -
FS7-0570-000	620 - 23	FS7-2289-000	300 - 33	NPN	B -
FS7-0571-000	620 - 24	FS7-2291-000	360 - 50	NPN	B - J705
FS7-0573-000	620 - 25	FS7-2292-000	360 - 51	NPN	B - J907
FS7-0574-000	620 - 26	FS7-2294-000	103 - 27	NPN	B - J908
FS7-0575-000	620 - 27	FS7-2295-000	810 - 61	NPN	B - J956
FS7-0576-000	710 - 13	FS7-2296-000	810 - 62	NPN	B - J1410
FS7-0577-000	710 - 14	FS7-2297-000	810 - 63	NPN	B - J1420
FS7-0579-000	710 - 15	FS7-2298-000	810 - 64	NPN	B - J1470-1
FS7-0581-000	620 - 28	FS7-2298-000	830 - 17	NPN	B - J1470-2
FS7-0582-000	620 - 29	FS7-2303-000	106 - 33	NPN	B - J1602
FS7-0583-000	620 - 30	FS7-2305-000	104 - 20	NPN	B - J1603
FS7-0584-000	810 - 58	FS7-2309-000	810 - 65	NPN	B - J1604
FS7-0586-000	810 - 59	FS7-2310-000	810 - 66	NPN	B - J5107
FS7-0587-000	810 - 60	FS7-2354-000	350 - 32	NPN	B - J5107
FS7-0588-000	265 - 21	FS7-2355-000	290 - 19	NPN	B - J5108
FS7-0589-000	267 - 11	FS7-2357-000	360 - 52	NPN	B - J5108
FS7-0590-000	267 - 12	FS7-2358-000	580 - 8	NPN	B - J5108
FS7-0591-000	360 - 49	FS7-2359-000	350 - 33	NPN	B - J5109
FS7-0592-000	267 - 13	FS7-2360-000	371 - 31	NPN	B - J5110
FS7-0593-000	265 - 22	FS7-2361-000	370 - 33	NPN	B - J5110
FS7-0593-000	267 - 14	FS7-2362-000	830 - 18	NPN	B - J6152
FS7-0595-000	267 - 15	FS7-2544-000	102 - 24	NPN	B - J6153
FS7-0597-000	290 - 13	FS7-2545-000	535 - 61	NPN	B - J6204
FS7-0598-000	290 - 14	FS7-2546-000	535 - 62	NPN	B - J6206
FS7-0599-000	290 - 15	FS7-2547-000	102 - 25	NPN	B - J6269
FS7-0680-000	290 - 16	FU3-0388-000	105 - 31	NPN	B - J6273
FS7-0681-000	290 - 17	FU3-0389-000	105 - 32	NPN	B - J6275
FS7-0682-000	370 - 31	FU3-0390-00U	105 - 33	NPN	B - J6276
FS7-0683-000	370 - 32	FU3-0391-000	290 - 14	NPN	B - J6277
FS7-0686-000	290 - 18	FU3-0392-000	290 - 12	NPN	B - J6278
FS7-2261-000	315 - 53	FU3-0393-000	267 - 12	NPN	B - J6279
FS7-2262-000	315 - 54	FY3-0040-000	580 - 9	NPN	B - J6280
FS7-2263-000	105 - 28	NPN	002 -	NPN	B - J6282
FS7-2264-000	105 - 29	NPN	101 -	NPN	B - J6352
FS7-2265-000	315 - 55	NPN	102 -	NPN	B - J6353
FS7-2267-000	620 - 31	NPN	103 -	NPN	B - J6354
FS7-2268-000	535 - 59	NPN	104 -	NPN	B - J6356
FS7-2269-000	535 - 60	NPN	105 -	NPN	B - J6359
FS7-2274-000	140 - 11	NPN	106 -	NPN	B - J6360
FS7-2275-000	250 - 13	NPN	107 -	NPN	B - J6361
FS7-2276-000	102 - 23	NPN	108 -	NPN	B - J6362
FS7-2277-000	510 - 13	NPN	109 -	NPN	B - J6364
FS7-2278-000	107 - 14	NPN	131 -	NPN	B - J6401
FS7-2279-000	530 - 22	NPN	300 -	NPN	B - J6402
FS7-2281-000	530 - 23	NPN	305 -	NPN	B - J6403

NUMERICAL INDEX

Color imageRUNNER C2050/2020/2058 iR C2100/2100S/2105/2105S(Num

PARTS NUMBER	FIGURE & KEY NO.	PARTS NUMBER	FIGURE & KEY NO.	PARTS NUMBER	FIGURE & KEY NO
NPN	B - J6404	NPN	B - J6580	PCB	B - J225
NPN	B - J6405	NPN	B - J6582	PCB	B - J226
NPN	B - J6406	NPN	B - J6584	PCB	B - J227
NPN	B - J6407	NPN	B - J6586	PCB	B - J229
NPN	B - J6408	PCB	B - J1	PCB	B - J301
NPN	B - J6410	PCB	B - J2	PCB	B - J302
NPN	B - J6411	PCB	B - J3	PCB	B - J303
NPN	B - J6415	PCB	B - J4	PCB	B - J304
NPN	B - J6418	PCB	B - J5	PCB	B - J306
NPN	B - J6452	PCB	B - J6	PCB	B - J307
NPN	B - J6453	PCB	B - J10	PCB	B - J308
NPN	B - J6454	PCB	B - J11	PCB	B - J309
NPN	B - J6455	PCB	B - J12	PCB	B - J310
NPN	B - J6457	PCB	B - J13	PCB	B - J311
NPN	B - J6458	PCB	B - J14	PCB	B - J312
NPN	B - J6459	PCB	B - J101	PCB	B - J313
NPN	B - J6460	PCB	B - J102	PCB	B - J314
NPN	B - J6461	PCB	B - J103	PCB	B - J315
NPN	B - J6463	PCB	B - J104	PCB	B - J316
NPN	B - J6464	PCB	B - J105	PCB	B - J317
NPN	B - J6465	PCB	B - J106	PCB	B - J318
NPN	B - J6466	PCB	B - J107	PCB	B - J319
NPN	B - J6467	PCB	B - J108	PCB	B - J320
NPN	B - J6469	PCB	B - J109	PCB	B - J321
NPN	B - J6471	PCB	B - J110	PCB	B - J322
NPN	B - J6472	PCB	B - J111	PCB	B - J501
NPN	B - J6504	PCB	B - J112	PCB	B - J502
NPN	B - J6505	PCB	B - J113	PCB	B - J503
NPN	B - J6506	PCB	B - J114	PCB	B - J505
NPN	B - J6508	PCB	B - J115	PCB	B - J601
NPN	B - J6509	PCB	B - J116	PCB	B - J602
NPN	B - J6510	PCB	B - J117	PCB	B - J603
NPN	B - J6517	PCB	B - J118	PCB	B - J604
NPN	B - J6518	PCB	B - J119	PCB	B - J605
NPN	B - J6520	PCB	B - J120	PCB	B - J606
NPN	B - J6522	PCB	B - J121	PCB	B - J607
NPN	B - J6523	PCB	B - J122	PCB	B - J608
NPN	B - J6524	PCB	B - J123	PCB	B - J609
NPN	B - J6526	PCB	B - J124	PCB	B - J701
NPN	B - J6558	PCB	B - J125	PCB	B - J702
NPN	B - J6558	PCB	B - J131	PCB	B - J703
NPN	B - J6559	PCB	B - J132	PCB	B - J704
NPN	B - J6560	PCB	B - J134	PCB	B - J705
NPN	B - J6561	PCB	B - J201	PCB	B - J901
NPN	B - J6562	PCB	B - J202	PCB	B - J902
NPN	B - J6566	PCB	B - J203	PCB	B - J903
NPN	B - J6569	PCB	B - J204	PCB	B - J904
NPN	B - J6570	PCB	B - J208	PCB	B - J905
NPN	B - J6572	PCB	B - J209	PCB	B - J906
NPN	B - J6574	PCB	B - J214	PCB	B - J906
NPN	B - J6576	PCB	B - J223	PCB	B - J907
NPN	B - J6578	PCB	B - J224	PCB	B - J908

NUMERICAL INDEX

Color imageRUNNER C2050/2020/2058 iR C2100/2100S/2105/2105S(Num

PARTS NUMBER	FIGURE & KEY NO.	PARTS NUMBER	FIGURE & KEY NO.	PARTS NUMBER	FIGURE & KEY NO
PCB	B - J921	PCB	B - J4107	VS1-5452-007	B - J105
PCB	B - J922	PCB	B - J4108	VS1-5452-007	B - J109
PCB	B - J931	PCB	B - J4108	VS1-5452-007	B - J111
PCB	B - J941	PCB	B - J4201	VS1-5452-007	B - J6314
PCB	B - J955	PCB	B - J4202	VS1-5452-007	B - J6318
PCB	B - J956	PCB	B - J4203	VS1-5452-007	B - J6319
PCB	B - J1101	PCB	B - J4206	VS1-5452-008	B - J124
PCB	B - J1102	PCB	B - J6309	VS1-5452-009	B - J311
PCB	B - J1104	PCB	B - J6310	VS1-5452-009	B - J6503
PCB	B - J1105	PCB	B - J6311	VS1-5452-010	102 - 26
PCB	B - J1106	PCB	B - J6312	VS1-5452-010	B - J5104
PCB	B - J1107	PCB	B - J6368	VS1-5452-010	B - J6263
PCB	B - J1108	PCB	B - J6480	VS1-5452-010	B - J6264
PCB	B - J1109	PCB	B - J6573	VS1-5452-010	B - J6265
PCB	B - J1110	PCB	B - J6577	VS1-5452-010	B - J6266
PCB	B - J1111	PCB	B - J6581	VS1-5452-011	102 - 27
PCB	B - J1112	PCB	B - J6585	VS1-5452-011	B - J5104
PCB	B - J1113	RB1-6539-000	310 - 69	VS1-5452-011	B - J6263
PCB	B - J1114	RB1-6592-000	310 - 70	VS1-5452-011	B - J6264
PCB	B - J1115	RB2-0493-000	350 - 34	VS1-5452-011	B - J6265
PCB	B - J1116	RS1-1016-000	830 - 19	VS1-5452-011	B - J6266
PCB	B - J1118	RS1-1042-000	710 - 18	VS1-5729-003	B - J5111
PCB	B - J1121	RS5-0751-000	810 - 67	VS1-5820-003	106 - 24C
PCB	B - J1122	RS5-9057-000	105 - 34	VS1-5820-003	B - J6501
PCB	B - J1400	SYS	B - J208	VS1-5820-005	107 - 7B
PCB	B - J1430	SYS	B - J209	VS1-5820-005	B - J6316
PCB	B - J1431	SYS	B - J6263	VS1-5820-009	106 - 24E
PCB	B - J1511	SYS	B - J6264	VS1-5820-009	B - J6503
PCB	B - J1513	SYS	B - J6265	VS1-5824-002	B - J6317
PCB	B - J1601	SYS	B - J6266	VS1-5824-002	B - J6512
PCB	B - J1602	SYS	B - J6315	VS1-5824-002	B - J6513
PCB	B - J1603	SYS	B - J6319	VS1-5824-003	B - J6102
PCB	B - J1604	SYS	B - J6603	VS1-5824-003	B - J6270
PCB	B - J1607	SYS	B - J6606	VS1-5824-003	B - J6270
PCB	B - J1608	SYS	B - J6607	VS1-5824-003	B - J6274
PCB	B - J3501	SYS	B - J6608	VS1-5824-003	B - J6275
PCB	B - J3501	SYS	B - J6610	VS1-5824-003	B - J6508
PCB	B - J3502	VD5-0321-001	925 - F1	VS1-5824-003	B - J6509
PCB	B - J3502	VD5-0323-001	940 - FU1	VS1-5824-003	B - J6514
PCB	B - J3503	VR7-9240-103	580 - 10	VS1-5824-003	B - J6525
PCB	B - J3503	VS1-0279-004	B - J6603	VS1-5824-004	B - J214
PCB	B - J3504	VS1-0280-004	B - J6603	VS1-5824-005	B - J13
PCB	B - J3504	VS1-0978-006	B - J1470-1	VS1-5824-006	B - J6507
PCB	B - J3505	VS1-0978-006	B - J1470-2	VS1-5824-007	B - J6205
PCB	B - J3506	VS1-5452-003	B - J313	VS1-5976-004	B - J941
PCB	B - J3901	VS1-5452-003	B - J6501	VS1-6023-006	B - J931
PCB	B - J4101	VS1-5452-005	B - J104	VS1-6084-006	B - J108
PCB	B - J4102	VS1-5452-005	B - J6316	VS1-6084-006	B - J110
PCB	B - J4103	VS1-5452-006	B - J108	VS1-6084-007	B - J109
PCB	B - J4104	VS1-5452-006	B - J110	VS1-6084-007	B - J111
PCB	B - J4105	VS1-5452-006	B - J115	VS1-6197-012	B - J108
PCB	B - J4106	VS1-5452-006	B - J6502	VS1-6197-012	B - J110

NUMERICAL INDEX

Color imageRUNNER C2050/2020/2058 iR C2100/2100S/2105/2105S(Num

PARTS NUMBER	FIGURE & KEY NO.	PARTS NUMBER	FIGURE & KEY NO.	PARTS NUMBER	FIGURE & KEY NO
VS1-6197-014	B - J109	VS1-6314-008	B - J501	VS1-6314-016	B - J4202
VS1-6197-014	B - J111	VS1-6314-008	B - J6283	VS1-6314-016	B - J6409
VS1-6313-010	B - J502	VS1-6314-008	B - J6283	VS1-6314-016	B - J6417
VS1-6313-010	B - J6272	VS1-6314-008	B - J6286	VS1-6314-018	B - J302
VS1-6313-011	B - J308	VS1-6314-008	B - J6451	VS1-6314-018	B - J1601
VS1-6313-011	B - J6575	VS1-6314-009	B - J3	VS1-6314-019	B - J321
VS1-6313-011	B - J6583	VS1-6314-009	B - J120	VS1-6314-019	B - J1511
VS1-6313-012	B - J307	VS1-6314-009	B - J320	VS1-6314-020	B - J116
VS1-6313-015	B - J227	VS1-6314-009	B - J903	VS1-6314-020	B - J125
VS1-6313-015	B - J901	VS1-6314-009	B - J922	VS1-6314-020	B - J131
VS1-6313-015	B - J6601	VS1-6314-009	B - J1110	VS1-6314-020	B - J132
VS1-6313-015	B - J6613	VS1-6314-010	B - J223	VS1-6314-020	B - J224
VS1-6313-016	107 - 17	VS1-6314-010	B - J229	VS1-6314-020	B - J1513
VS1-6313-016	B - J6409	VS1-6314-010	B - J319	VS1-6314-020	B - J4107
VS1-6313-019	B - J1511	VS1-6314-010	B - J502	VS1-6314-020	B - J6309
VS1-6313-020	B - J125	VS1-6314-010	B - J605	VS1-6314-020	B - J6311
VS1-6313-020	B - J131	VS1-6314-010	B - J606	VS1-6314-020	B - J6369
VS1-6313-020	B - J132	VS1-6314-010	B - J3901	VS1-6318-006	106 - 24F
VS1-6313-020	B - J224	VS1-6314-010	B - J6272	VS1-6318-006	107 - 5A
VS1-6313-020	B - J1513	VS1-6314-010	B - J6357	VS1-6318-006	108 - 13
VS1-6313-020	B - J6310	VS1-6314-011	B - J117	VS1-6318-006	315 - 33C
VS1-6313-020	B - J6312	VS1-6314-011	B - J301	VS1-6318-006	315 - 34B
VS1-6314-003	B - J1607	VS1-6314-011	B - J304	VS1-6318-006	B - J6203
VS1-6314-004	B - J310	VS1-6314-011	B - J308	VS1-6318-006	B - J6366
VS1-6314-004	B - J6363	VS1-6314-011	B - J609	VS1-6318-006	B - J6367
VS1-6314-006	B - J10	VS1-6314-011	B - J6456	VS1-6318-006	B - J6462
VS1-6314-006	B - J107	VS1-6314-011	B - J6555	VS1-6318-006	B - J6511
VS1-6314-006	B - J121	VS1-6314-011	B - J6565	VS1-6318-011	108 - 14
VS1-6314-006	B - J225	VS1-6314-011	B - J6571	VS1-6318-011	250 - 5B
VS1-6314-006	B - J312	VS1-6314-011	B - J6575	VS1-6318-011	365 - 12
VS1-6314-006	B - J316	VS1-6314-011	B - J6579	VS1-6318-011	370 - 17B
VS1-6314-006	B - J503	VS1-6314-011	B - J6583	VS1-6318-011	B - J6456
VS1-6314-006	B - J1121	VS1-6314-012	B - J303	VS1-6318-011	B - J6555
VS1-6314-006	B - J6203	VS1-6314-012	B - J307	VS1-6318-011	B - J6565
VS1-6314-006	B - J6203	VS1-6314-012	B - J902	VS1-6318-011	B - J6571
VS1-6314-006	B - J6366	VS1-6314-012	B - J921	VS1-6318-011	B - J6575
VS1-6314-006	B - J6367	VS1-6314-012	B - J6551	VS1-6318-011	B - J6579
VS1-6314-006	B - J6402	VS1-6314-012	B - J6556	VS1-6318-011	B - J6583
VS1-6314-006	B - J6404	VS1-6314-013	B - J114	VS1-6318-013	365 - 13
VS1-6314-006	B - J6406	VS1-6314-013	B - J306	VS1-6318-013	370 - 17D
VS1-6314-006	B - J6408	VS1-6314-013	B - J309	VS1-6318-013	B - J6563
VS1-6314-006	B - J6461	VS1-6314-013	B - J314	VS1-6318-013	B - J6564
VS1-6314-006	B - J6462	VS1-6314-013	B - J318	VS1-6318-016	535 - 48B
VS1-6314-006	B - J6511	VS1-6314-013	B - J6563	VS1-6318-016	B - J6417
VS1-6314-006	B - J6518	VS1-6314-013	B - J6563	VS1-6318-020	103 - 2A
VS1-6314-007	B - J12	VS1-6314-013	B - J6564	VS1-6318-020	985 - 18
VS1-6314-007	B - J113	VS1-6314-015	B - J227	VS1-6318-020	B - J6309
VS1-6314-007	B - J315	VS1-6314-015	B - J901	VS1-6318-020	B - J6310
VS1-6314-007	B - J607	VS1-6314-015	B - J6601	VS1-6318-020	B - J6311
VS1-6314-007	B - J1112	VS1-6314-015	B - J6613	VS1-6318-020	B - J6312
VS1-6314-007	B - J6413	VS1-6314-016	107 - 18	VS1-6318-020	B - J6369
VS1-6314-008	B - J122	VS1-6314-016	B - J119	VS1-6319-030	131 - 22B

NUMERICAL INDEX

Color imageRUNNER C2050/2020/2058 iR C2100/2100S/2105/2105S(Num

PARTS NUMBER	FIGURE & KEY NO.	PARTS NUMBER	FIGURE & KEY NO.	PARTS NUMBER	FIGURE & KEY NO
VS1-6319-030	131 - 25	VS1-6321-003	B - J6273	VS1-6321-006	B - J6585
VS1-6319-030	B - J6601	VS1-6321-003	B - J6274	VS1-6321-007	B - J6205
VS1-6319-030	B - J6613	VS1-6321-003	B - J6280	VS1-6321-007	B - J6205
VS1-6321-002	B - J106	VS1-6321-003	B - J6281	VS1-6321-008	B - J6351
VS1-6321-002	B - J123	VS1-6321-003	B - J6282	VS1-6321-008	B - J6557
VS1-6321-002	B - J226	VS1-6321-003	B - J6353	VS1-6321-008	B - J6606
VS1-6321-002	B - J1111	VS1-6321-003	B - J6354	VS1-6321-009	B - J6607
VS1-6321-002	B - J1118	VS1-6321-003	B - J6355	VS1-6321-009	B - J6608
VS1-6321-002	B - J1430	VS1-6321-003	B - J6356	VS1-6321-012	B - J6610
VS1-6321-002	B - J4206	VS1-6321-003	B - J6358	VS1-6328-032	107 - 19
VS1-6321-002	B - J6276	VS1-6321-003	B - J6359	VS1-6328-032	B - J6409
VS1-6321-002	B - J6278	VS1-6321-003	B - J6360	VS1-6380-002	B - J5102
VS1-6321-002	B - J6279	VS1-6321-003	B - J6370	VS1-6380-003	B - J1
VS1-6321-002	B - J6317	VS1-6321-003	B - J6418	VS1-6380-003	B - J5101
VS1-6321-002	B - J6352	VS1-6321-003	B - J6457	VS1-6380-004	B - J3505
VS1-6321-002	B - J6361	VS1-6321-003	B - J6458	VS1-6380-004	B - J3506
VS1-6321-002	B - J6362	VS1-6321-003	B - J6459	VS1-6380-004	B - J5103
VS1-6321-002	B - J6414	VS1-6321-003	B - J6460	VS1-6380-006	B - J4
VS1-6321-002	B - J6452	VS1-6321-003	B - J6463	VS1-6380-006	B - J1105
VS1-6321-002	B - J6453	VS1-6321-003	B - J6464	VS1-6380-008	B - J6151
VS1-6321-002	B - J6454	VS1-6321-003	B - J6469	VS1-6534-002	B - J6101
VS1-6321-002	B - J6455	VS1-6321-003	B - J6470	VS1-6534-002	B - J6105
VS1-6321-002	B - J6465	VS1-6321-003	B - J6471	VS1-6534-002	B - J6287
VS1-6321-002	B - J6466	VS1-6321-003	B - J6472	VS1-6534-003	B - J6515
VS1-6321-002	B - J6467	VS1-6321-003	B - J6519	VS1-6534-003	B - J6516
VS1-6321-002	B - J6512	VS1-6321-003	B - J6520	VS1-6534-004	B - J505
VS1-6321-002	B - J6513	VS1-6321-003	B - J6521	VS1-6534-004	B - J1101
VS1-6321-002	B - J6517	VS1-6321-003	B - J6522	VS1-6534-004	B - J6201
VS1-6321-002	B - J6523	VS1-6321-003	B - J6524	VS1-6534-008	B - J103
VS1-6321-002	B - J6558	VS1-6321-003	B - J6526	VS1-6534-008	B - J317
VS1-6321-002	B - J6559	VS1-6321-003	B - J6558	VS1-6534-008	B - J1102
VS1-6321-002	B - J6560	VS1-6321-003	B - J6562	VS1-6534-008	B - J1113
VS1-6321-002	B - J6561	VS1-6321-003	B - J6566	VS1-6535-002	B - J6101
VS1-6321-002	B - J6569	VS1-6321-003	B - J6570	VS1-6535-002	B - J6105
VS1-6321-002	B - J6574	VS1-6321-003	B - J6572	VS1-6535-002	B - J6287
VS1-6321-002	B - J6578	VS1-6321-003	B - J6576	VS1-6535-003	B - J6515
VS1-6321-002	B - J6582	VS1-6321-003	B - J6580	VS1-6535-003	B - J6516
VS1-6321-002	B - J6586	VS1-6321-003	B - J6584	VS1-6535-004	B - J6201
VS1-6321-002	B - J6604	VS1-6321-004	B - J322	VS1-6535-004	B - J6416
VS1-6321-002	B - J6612	VS1-6321-004	B - J1115	VS1-7164-020	360 - 34D
VS1-6321-002	B - J6614	VS1-6321-004	B - J6284	VS1-7164-020	B - J6272
VS1-6321-003	B - J112	VS1-6321-004	B - J6285	VS1-7173-004	315 - 33B
VS1-6321-003	B - J118	VS1-6321-004	B - J6364	VS1-7173-004	B - J6363
VS1-6321-003	B - J1410	VS1-6321-004	B - J6480	VS1-7173-007	770 - 14
VS1-6321-003	B - J1420	VS1-6321-005	B - J6587	VS1-7173-007	B - J6413
VS1-6321-003	B - J1431	VS1-6321-006	B - J1400	VS1-7173-008	250 - 4B
VS1-6321-003	B - J1608	VS1-6321-006	B - J6277	VS1-7173-008	360 - 31A
VS1-6321-003	B - J4203	VS1-6321-006	B - J6552	VS1-7173-008	360 - 34C
VS1-6321-003	B - J6102	VS1-6321-006	B - J6553	VS1-7173-008	B - J6283
VS1-6321-003	B - J6103	VS1-6321-006	B - J6573	VS1-7173-008	B - J6286
VS1-6321-003	B - J6206	VS1-6321-006	B - J6577	VS1-7173-008	B - J6451
VS1-6321-003	B - J6270	VS1-6321-006	B - J6581	VS1-7173-010	315 - 33D

NUMERICAL INDEX

Color imageRUNNER C2050/2020/2058 iR C2100/2100S/2105/2105S(Num

PARTS NUMBER	FIGURE & KEY NO.	PARTS NUMBER	FIGURE & KEY NO.	PARTS NUMBER	FIGURE & KEY NO.
VS1-7173-010	B - J6357	VS1-7177-002	B - J6602	VS1-7177-004	B - J6285
VS1-7173-012	105 - 20B	VS1-7177-002	B - J6604	VS1-7177-004	B - J6364
VS1-7173-012	370 - 17C	VS1-7177-002	B - J6612	VS1-7177-005	370 - 19C
VS1-7173-012	B - J6551	VS1-7177-002	B - J6614	VS1-7177-005	B - J6587
VS1-7173-012	B - J6556	VS1-7177-003	105 - 21A	VS1-7177-007	108 - 3A
VS1-7177-002	105 - 35	VS1-7177-003	106 - 24B	VS1-7177-007	B - J6205
VS1-7177-002	106 - 24A	VS1-7177-003	106 - 25A	VS1-7177-008	320 - 4B
VS1-7177-002	107 - 7A	VS1-7177-003	107 - 15	VS1-7177-008	370 - 17A
VS1-7177-002	108 - 11	VS1-7177-003	108 - 12	VS1-7177-008	B - J6351
VS1-7177-002	131 - 22A	VS1-7177-003	112 - 10A	VS1-7177-008	B - J6557
VS1-7177-002	131 - 24	VS1-7177-003	112 - 11A	VS1-7178-002	B - J955
VS1-7177-002	250 - 4A	VS1-7177-003	113 - 8A	VS1-7178-002	B - J6602
VS1-7177-002	265 - 23	VS1-7177-003	113 - 9A	VS1-7178-002	B - J6614
VS1-7177-002	267 - 2A	VS1-7177-003	190 - 1A	VS1-7178-004	B - J905
VS1-7177-002	280 - 13	VS1-7177-003	191 - 2	VS1-7178-006	B - J904
VS1-7177-002	290 - 3A	VS1-7177-003	192 - 1A	VS1-7178-006	B - J6552
VS1-7177-002	315 - 33A	VS1-7177-003	193 - 3	VS1-7178-006	B - J6553
VS1-7177-002	315 - 56	VS1-7177-003	193 - 4	VS1-7440-006	105 - 20A
VS1-7177-002	320 - 4A	VS1-7177-003	194 - 2	VS1-7440-006	360 - 34B
VS1-7177-002	360 - 36A	VS1-7177-003	250 - 5A	VS1-7440-006	620 - 17B
VS1-7177-002	370 - 19A	VS1-7177-003	280 - 14	VS1-7440-006	810 - 45A
VS1-7177-002	530 - 17A	VS1-7177-003	315 - 34A	VS1-7440-006	B - J6277
VS1-7177-002	535 - 48A	VS1-7177-003	360 - 35A	VS1-7440-006	B - J6507
VS1-7177-002	620 - 17A	VS1-7177-003	360 - 36B	VS1-7440-006	B - J6552
VS1-7177-002	810 - 44A	VS1-7177-003	370 - 19B	VS1-7440-006	B - J6553
VS1-7177-002	B - J6276	VS1-7177-003	B - J6102	VS1-7440-006	B - J6573
VS1-7177-002	B - J6278	VS1-7177-003	B - J6103	VS1-7440-006	B - J6577
VS1-7177-002	B - J6279	VS1-7177-003	B - J6206	VS1-7440-006	B - J6581
VS1-7177-002	B - J6317	VS1-7177-003	B - J6270	VS1-7440-006	B - J6585
VS1-7177-002	B - J6352	VS1-7177-003	B - J6270	VS1-7507-006	106 - 24D
VS1-7177-002	B - J6361	VS1-7177-003	B - J6274	VS1-7507-006	B - J6502
VS1-7177-002	B - J6362	VS1-7177-003	B - J6281	VS1-7507-007	107 - 6A
VS1-7177-002	B - J6414	VS1-7177-003	B - J6355	VS1-7507-007	107 - 16
VS1-7177-002	B - J6452	VS1-7177-003	B - J6358	VS1-7507-007	B - J6314
VS1-7177-002	B - J6453	VS1-7177-003	B - J6370	VS1-7507-007	B - J6318
VS1-7177-002	B - J6454	VS1-7177-003	B - J6457	VS3-0044-005	B - J6204
VS1-7177-002	B - J6455	VS1-7177-003	B - J6458	VS3-0047-003	B - J6269
VS1-7177-002	B - J6465	VS1-7177-003	B - J6459	VS3-5083-002	B - J6152
VS1-7177-002	B - J6466	VS1-7177-003	B - J6460	VS3-5083-002	B - J6153
VS1-7177-002	B - J6467	VS1-7177-003	B - J6470	VS3-5083-003	B - J11
VS1-7177-002	B - J6512	VS1-7177-003	B - J6514	VS3-5083-003	B - J14
VS1-7177-002	B - J6513	VS1-7177-003	B - J6519	VS3-5083-003	B - J1114
VS1-7177-002	B - J6523	VS1-7177-003	B - J6520	VS3-5083-003	B - J5111
VS1-7177-002	B - J6558	VS1-7177-003	B - J6521	VS3-5083-004	B - J203
VS1-7177-002	B - J6559	VS1-7177-003	B - J6522	VS3-5083-004	B - J608
VS1-7177-002	B - J6560	VS1-7177-003	B - J6524	VS3-5083-004	B - J1104
VS1-7177-002	B - J6561	VS1-7177-003	B - J6525	VS3-5083-004	B - J1116
VS1-7177-002	B - J6569	VS1-7177-003	B - J6570	VS3-5083-004	B - J1122
VS1-7177-002	B - J6574	VS1-7177-004	267 - 2B	VS3-5083-004	B - J4105
VS1-7177-002	B - J6578	VS1-7177-004	315 - 57	VS3-5083-004	B - J4201
VS1-7177-002	B - J6582	VS1-7177-004	360 - 34A	VS3-5083-005	B - J601
VS1-7177-002	B - J6586	VS1-7177-004	B - J6284	VS3-5083-005	B - J602

NUMERICAL INDEX

Color imageRUNNER C2050/2020/2058 iR C2100/2100S/2105/2105S(Num

PARTS NUMBER	FIGURE & KEY NO.	PARTS NUMBER	FIGURE & KEY NO.	PARTS NUMBER	FIGURE & KEY NO
VS3-5083-005	B - J603	WA7-1372-000	933 - 3	WS3-5160-000	B - J6152
VS3-5083-005	B - J604	WD3-5072-000	112 - 14	WS3-5160-000	B - J6153
VS3-5083-005	B - J704	WD3-5072-000	113 - 16	WS3-5160-000	B - J6401
VS3-5083-005	B - J6401	WE8-5648-000	105 - 36	WS3-5160-000	B - J6403
VS3-5083-005	B - J6403	WE8-5717-000	112 - 3A	WS3-5160-000	B - J6405
VS3-5083-005	B - J6405	WE8-5717-000	113 - 2A	WS3-5160-000	B - J6407
VS3-5083-005	B - J6407	WE8-5717-000	113 - 3A	WS3-5160-000	B - J6410
VS3-5083-005	B - J6410	WE8-5717-000	113 - 4A	WS3-5160-000	B - J5101
VS3-5083-006	B - J5	WE8-5741-000	108 - 15	WS3-5291-000	B - J5102
VS3-5083-006	B - J1108	WG8-5708-000	105 - 24	WS3-5291-000	B - J6151
VS3-5083-007	B - J2	WG8-5708-000	107 - 12	WS3-5292-000	B - J1
VS3-5083-007	B - J1106	WG8-5708-000	310 - 41	WS3-5292-000	B - J4
VS3-5083-010	B - J102	WG8-5708-000	315 - 37	WS3-5292-000	B - J1105
VS3-5083-010	B - J1109	WG8-5708-000	320 - 6	WS3-5292-000	B - J3505
VS3-5083-012	B - J204	WG8-5708-000	360 - 40	WS3-5292-000	B - J3506
VS3-5083-012	B - J1107	WG8-5708-000	360 - 41	WS3-5292-000	B - J5101
VS3-5121-002	B - J5102	WG8-5708-000	360 - 42	WS3-5292-000	B - J5102
VS3-5121-003	B - J5101	WG8-5708-000	370 - 22	WS3-5292-000	B - J5103
VS3-5121-008	B - J6151	WG8-5708-000	535 - 55	WS3-5292-000	B - J6151
VS4-0001-001	B - J6370	WG8-5708-000	810 - 49	WS3-5301-000	B - J5111
VS4-0001-001	B - J6371	WK1-5007-000	933 - 4	WS3-5358-000	B - J13
VS4-0001-001	B - J6372	WK1-5148-000	930 - 3	WS3-5358-000	B - J214
VS4-0001-001	B - J6373	WS1-0172-000	930 - 4	WS3-5358-000	B - J6102
VS4-0001-002	B - J5106	WS1-0172-000	933 - 5	WS3-5358-000	B - J6205
VS4-0001-002	B - J5110	WS3-0469-000	B - J6603	WS3-5358-000	B - J6270
VS4-0001-003	B - J5107	WS3-0916-000	B - J6204	WS3-5358-000	B - J6270
VS4-0001-003	B - J6313	WS3-0916-000	B - J6269	WS3-5358-000	B - J6274
VS4-0001-004	B - J5108	WS3-1057-000	B - J6603	WS3-5358-000	B - J6275
VS4-0001-006	B - J5105	WS3-5160-000	B - J2	WS3-5358-000	B - J6317
VS4-0002-002	B - J5106	WS3-5160-000	B - J5	WS3-5358-000	B - J6507
VS4-0002-002	B - J5109	WS3-5160-000	B - J11	WS3-5358-000	B - J6508
VS4-0002-003	B - J6313	WS3-5160-000	B - J14	WS3-5358-000	B - J6509
VS4-0002-004	B - J5108	WS3-5160-000	B - J102	WS3-5358-000	B - J6512
VS4-0002-006	B - J5105	WS3-5160-000	B - J203	WS3-5358-000	B - J6513
VT2-5161-020	B - J502	WS3-5160-000	B - J204	WS3-5358-000	B - J6514
VT2-5161-020	B - J6272	WS3-5160-000	B - J601	WS3-5358-000	B - J6525
VT2-5161-022	B - J308	WS3-5160-000	B - J602	WS3-5596-000	B - J6315
VT2-5161-024	B - J307	WS3-5160-000	B - J603	WS3-5596-000	B - J6319
VT2-5161-030	B - J227	WS3-5160-000	B - J604	WS3-5607-000	107 - 21
VT2-5161-030	B - J901	WS3-5160-000	B - J608	WS3-5607-000	B - J6409
VT2-5161-030	B - J6601	WS3-5160-000	B - J704	WS3-5658-000	B - J103
VT2-5161-030	B - J6613	WS3-5160-000	B - J1104	WS3-5658-000	B - J317
VT2-5161-032	107 - 20	WS3-5160-000	B - J1106	WS3-5658-000	B - J505
VT2-5161-032	B - J6409	WS3-5160-000	B - J1107	WS3-5658-000	B - J1101
VT2-5161-038	B - J1511	WS3-5160-000	B - J1108	WS3-5658-000	B - J1102
VT2-5161-040	B - J125	WS3-5160-000	B - J1109	WS3-5658-000	B - J1113
VT2-5161-040	B - J131	WS3-5160-000	B - J1114	WS3-5658-000	B - J6101
VT2-5161-040	B - J132	WS3-5160-000	B - J1116	WS3-5658-000	B - J6105
VT2-5161-040	B - J224	WS3-5160-000	B - J1122	WS3-5658-000	B - J6201
VT2-5161-040	B - J1513	WS3-5160-000	B - J4105	WS3-5658-000	B - J6287
VT2-5169-025	770 - 15	WS3-5160-000	B - J4201	WS3-5658-000	B - J6515
WA7-1372-000	933 - 3	WS3-5160-000	B - J5111	WS3-5658-000	B - J6516

NUMERICAL INDEX

Color imageRUNNER C2050/2020/2058 iR C2100/2100S/2105/2105S(Num

PARTS NUMBER	FIGURE & KEY NO.	PARTS NUMBER	FIGURE & KEY NO.	PARTS NUMBER	FIGURE & KEY NO
WS3-5659-000	B - J6101	XA9-0475-000	510 - 14	XB1-2300-409	300 - 501
WS3-5659-000	B - J6105	XA9-0475-000	620 - 32	XB1-2300-605	510 - 501
WS3-5659-000	B - J6201	XA9-0591-000	131 - 27	XB1-2300-607	107 - 501
WS3-5659-000	B - J6287	XA9-0591-000	131 - 28	XB1-2300-607	107 - 502
WS3-5659-000	B - J6416	XA9-0591-000	310 - 71	XB1-2300-607	535 - 502
WS3-5659-000	B - J6515	XA9-0596-000	315 - 58	XB1-2300-607	996 - 501
WS3-5659-000	B - J6516	XA9-0596-000	580 - 11	XB1-2300-609	102 - 501
WS4-0217-000	B - J5105	XA9-0596-000	620 - 33	XB1-2300-609	102 - 502
WS4-0217-000	B - J5106	XA9-0605-000	101 - 41	XB1-2300-609	105 - 502
WS4-0217-000	B - J5108	XA9-0605-000	140 - 12	XB1-2300-609	112 - 501
WS4-0217-000	B - J5109	XA9-0605-000	310 - 72	XB1-2300-609	113 - 501
WS4-0217-000	B - J6313	XA9-0605-000	535 - 64	XB1-2300-609	131 - 501
WS4-0219-000	B - J5105	XA9-0606-000	535 - 65	XB1-2300-609	265 - 501
WS4-0219-000	B - J5106	XA9-0614-000	620 - 34	XB1-2300-609	300 - 502
WS4-0219-000	B - J5107	XA9-0626-000	102 - 28	XB1-2300-609	315 - 502
WS4-0219-000	B - J5108	XA9-0629-000	101 - 42	XB1-2300-609	360 - 501
WS4-0219-000	B - J5110	XA9-0629-000	102 - 29	XB1-2300-609	510 - 502
WS4-0219-000	B - J6313	XA9-0629-000	103 - 29	XB1-2300-609	535 - 503
WS4-0219-000	B - J6370	XA9-0629-000	103 - 30	XB1-2300-609	620 - 502
WS4-0219-000	B - J6371	XA9-0629-000	104 - 21	XB1-2300-609	710 - 502
WS4-0219-000	B - J6372	XA9-0629-000	104 - 22	XB1-2300-609	770 - 501
WS4-0219-000	B - J6373	XA9-0629-000	104 - 23	XB1-2300-609	810 - 501
WT1-0017-000	112 - 15	XA9-0629-000	104 - 24	XB1-2300-805	310 - 501
WT1-0017-000	113 - 17	XA9-0629-000	105 - 37	XB1-2301-207	113 - 502
WT1-0246-000	B - J4106	XA9-0629-000	106 - 34	XB1-2301-409	770 - 502
WT1-5020-000	112 - 16	XA9-0629-000	106 - 35	XB1-2400-407	104 - 501
WT1-5020-000	113 - 18	XA9-0629-000	106 - 36	XB1-2400-407	104 - 502
WT1-5276-000	B - J6	XA9-0629-000	107 - 25	XB1-2400-407	112 - 502
WT2-5041-000	267 - 2C	XA9-0629-000	107 - 26	XB1-2400-407	113 - 503
WT2-5041-000	320 - 4C	XA9-0629-000	108 - 16	XB1-2400-407	113 - 504
WT2-5041-000	360 - 32A	XA9-0629-000	108 - 17	XB1-2400-407	305 - 501
WT2-5178-000	105 - 20C	XA9-0629-000	109 - 2	XB1-2400-407	306 - 501
WT2-5178-000	106 - 25B	XA9-0629-000	109 - 3	XB1-2400-409	830 - 501
WT2-5178-000	250 - 5C	XA9-0629-000	306 - 4	XB1-2400-603	112 - 503
WT2-5178-000	365 - 9A	XA9-0629-000	365 - 14	XB1-2400-603	113 - 505
WT2-5178-000	530 - 17B	XA9-0632-000	108 - 18	XB1-2400-606	106 - 501
WT2-5178-000	910 - 4A	XA9-0670-000	131 - 29	XB1-2400-606	250 - 501
WT2-5436-000	112 - 17	XA9-0687-000	370 - 34	XB1-2400-606	930 - 501
WT2-5436-000	113 - 19	XA9-0724-000	310 - 73	XB1-2400-606	933 - 502
WT2-5565-000	131 - 26	XA9-0739-000	112 - 18	XB1-2400-607	101 - 501
WT2-5626-000	996 - 3	XA9-0739-000	113 - 20	XB1-2400-607	106 - 502
XA1-1260-307	103 - 501	XA9-0774-000	101 - 43	XB1-2400-607	107 - 503
XA9-0265-010	101 - 40	XA9-0774-000	365 - 15	XB1-2400-607	131 - 502
XA9-0265-010	107 - 22	XA9-0783-000	101 - 44	XB1-2400-607	290 - 501
XA9-0265-010	107 - 23	XA9-0864-000	108 - 19	XB1-2400-607	810 - 502
XA9-0265-010	107 - 24	XA9-1141-000	270 - 6	XB1-2400-607	910 - 501
XA9-0265-010	530 - 25	XB1-1300-407	105 - 501	XB1-2400-607	910 - 502
XA9-0271-000	530 - 26	XB1-2200-309	710 - 501	XB1-2400-607	915 - 501
XA9-0271-000	530 -	XB1-2260-407	620 - 501	XB1-2400-607	965 - 501
XA9-0271-000	530 -	XB1-2300-405	535 - 501	XB1-2400-607	996 - 501
XA9-0385-000	535 - 63	XB1-2300-407	315 - 501	XB1-2400-609	101 - 502
XA9-0385-000	535 -	XB1-2300-407	933 - 501	XB1-2400-609	101 - 503

NUMERICAL INDEX

Color imageRUNNER C2050/2020/2058 iR C2100/2100S/2105/2105S(Num

PARTS NUMBER	FIGURE & KEY NO.	PARTS NUMBER	FIGURE & KEY NO.	PARTS NUMBER	FIGURE & KEY NO
XB1-2400-609	104 - 503	XB2-8301-005	810 - 505	XD1-4200-402	810 - 512
XB1-2400-609	104 - 504	XB2-8400-609	810 - 506	XD1-4200-502	112 - 510
XB1-2400-609	106 - 503	XB2-8400-806	530 - 504	XD1-4200-502	113 - 516
XB1-2400-609	106 - 504	XB2-8400-806	810 - 507	XD2-1100-132	350 - 505
XB1-2400-609	106 - 505	XB2-8401-009	810 - 508	XD2-1100-242	105 - 504
XB1-2400-609	106 - 506	XB4-7300-609	101 - 506	XD2-1100-242	350 - 506
XB1-2400-609	112 - 504	XB4-7300-609	300 - 503	XD2-1100-322	315 - 504
XB1-2400-609	113 - 506	XB4-7300-609	316 - 501	XD2-1100-322	350 - 507
XB1-2400-609	250 - 502	XB4-7300-807	535 - 506	XD2-1100-322	530 - 506
XB1-2400-609	260 - 501	XB4-7300-809	103 - 502	XD2-1100-322	535 - 515
XB1-2400-609	265 - 502	XB4-7300-809	105 - 503	XD2-1100-322	535 - 516
XB1-2400-609	265 - 502	XB4-7300-809	300 - 504	XD2-1100-322	620 - 504
XB1-2400-609	267 - 501	XB4-7300-809	371 - 502	XD2-1100-322	810 - 513
XB1-2400-609	315 - 503	XB4-7300-809	710 - 503	XD2-1100-322	830 - 503
XB1-2400-609	350 - 501	XB4-7300-809	770 - 504	XD2-1100-402	103 - 503
XB1-2400-609	360 - 502	XB4-7301-009	535 - 507	XD2-1100-402	250 - 503
XB1-2400-609	360 - 503	XB4-7301-607	535 - 508	XD2-1100-402	260 - 502
XB1-2400-609	365 - 501	XB4-7400-809	104 - 506	XD2-1100-402	265 - 503
XB1-2400-609	365 - 502	XB4-7400-809	300 - 505	XD2-1100-402	290 - 502
XB1-2400-609	370 - 501	XB4-7400-809	350 - 503	XD2-1100-502	105 - 505
XB1-2400-609	371 - 501	XB4-7401-007	316 - 502	XD2-1100-502	106 - 508
XB1-2400-609	510 - 503	XB4-7401-009	101 - 507	XD2-1100-502	267 - 502
XB1-2400-609	530 - 501	XB4-7401-009	985 - 501	XD2-1100-502	270 - 502
XB1-2400-609	530 - 502	XB4-7401-207	300 - 506	XD2-1100-502	315 - 505
XB1-2400-609	620 - 503	XB4-7401-209	190 - 501	XD2-1100-502	320 - 501
XB1-2400-609	770 - 503	XB4-7403-509	191 - 501	XD2-1100-502	350 - 508
XB1-2400-609	810 - 503	XB4-7403-509	192 - 501	XD2-1100-502	360 - 505
XB1-2400-809	108 - 501	XB4-7403-509	194 - 501	XD2-1100-502	370 - 503
XB1-2400-809	530 - 503	XB6-2300-609	535 - 509	XD2-1100-502	530 - 507
XB1-2400-809	535 - 504	XB6-7300-609	350 - 504	XD2-1100-502	530 - 508
XB1-2401-009	112 - 505	XB6-7300-809	535 - 510	XD2-1100-502	535 - 517
XB1-2401-009	113 - 507	XB6-7400-505	104 - 507	XD2-1100-502	620 - 505
XB1-2401-209	112 - 506	XB6-7400-605	280 - 501	XD2-1100-502	710 - 504
XB1-2401-209	113 - 508	XB6-7400-605	510 - 504	XD2-1100-502	810 - 514
XB1-2401-607	113 - 509	XB6-7400-807	530 - 505	XD2-1100-502	830 - 504
XB1-2402-009	104 - 505	XB7-1030-109	535 - 511	XD2-1100-642	105 - 506
XB1-2402-009	112 - 507	XB7-1040-069	360 - 504	XD2-1100-642	105 - 507
XB1-2402-009	113 - 510	XB7-2100-309	113 - 513	XD2-1100-642	105 - 508
XB1-2402-509	113 - 511	XB7-2100-309	810 - 509	XD2-1100-642	106 - 509
XB1-2403-509	370 - 502	XB7-2100-409	113 - 514	XD2-1100-642	250 - 504
XB1-2404-009	193 - 501	XB7-2200-609	810 - 510	XD2-1100-642	260 - 503
XB1-2500-603	112 - 508	XD1-1104-125	102 - 503	XD2-1100-642	265 - 504
XB1-2500-603	113 - 512	XD1-1104-132	107 - 504	XD2-1100-642	265 - 504
XB1-2500-609	270 - 501	XD1-1106-225	535 - 512	XD2-1100-642	267 - 503
XB2-4400-805	350 - 502	XD1-1106-235	810 - 511	XD2-1100-642	280 - 502
XB2-4400-805	810 - 504	XD1-1108-215	510 - 505	XD2-1100-642	290 - 503
XB2-4400-805	830 - 502	XD1-1108-215	535 - 513	XD2-1100-642	315 - 506
XB2-7400-607	101 - 504	XD1-1108-225	310 - 502	XD2-1100-642	320 - 502
XB2-7400-607	101 - 504	XD1-1108-225	535 - 514	XD2-1100-642	350 - 509
XB2-7400-607	101 - 505	XD1-4200-402	106 - 507	XD2-1100-642	360 - 506
XB2-7400-607	131 - 503	XD1-4200-402	112 - 509	XD2-1100-642	365 - 503
XB2-8300-609	535 - 505	XD1-4200-402	113 - 515	XD2-1100-642	370 - 504

XD2-1100-642 371 - 503
 XD2-1100-642 530 - 509
 XD2-1100-642 535 - 518

PARTS NUMBER	FIGURE & KEY NO.	PARTS NUMBER	FIGURE & KEY NO.	PARTS NUMBER	FIGURE & KEY NO
XD2-1100-642	810 - 515	XF9-0709-000	360 - 53	FA9-3611-000	Z40 - 1
XD2-1100-642	830 - 505	XF9-0710-000	360 - 54	FB3-2811-000	Z15 - 2
XD2-1100-802	270 - 503	XF9-0711-000	371 - 32	FB3-2837-000	Z15 - 1
XD2-1100-802	535 - 519	XG9-0172-000	260 - 9	FB3-2844-000	Z40 - 2
XD2-1100-802	830 - 506	XG9-0182-000	810 - 68	FB3-2855-020	Z40 - 3
XD2-2100-402	310 - 503	XG9-0242-000	370 - 35	FB3-2856-020	Z40 - 4
XD2-2100-502	316 - 503	XG9-0249-000	260 - 10	FB3-2863-000	Z40 - 5
XD2-2100-802	105 - 509	XG9-0250-000	265 - 25	FB3-2864-000	Z40 - 6
XD2-2300-802	101 - 508	XG9-0291-000	370 - 36	FB3-2868-020	Z40 - 7
XD3-1200-122	310 - 504	XG9-0403-000	310 - 79	FB3-2880-000	Z40 - 8
XD3-2200-102	265 - 505	XG9-0415-000	535 - 67	FB3-2881-000	Z40 - 9
XD3-2200-102	267 - 504	XG9-0422-000	810 - 69	FB3-2894-020	Z40 - 10
XD3-2200-102	370 - 505	XG9-0423-000	350 - 35	FB3-2896-000	Z40 - 11
XD3-2200-122	265 - 506	XH9-0059-000	109 - 4	FB3-2897-020	Z40 - 12
XD3-2200-122	290 - 504	XZ9-0407-000	101 - 32A	FB3-2898-020	Z40 - 13
XD3-2200-122	370 - 506	XZ9-0585-000	102 - 30	FB3-2937-000	Z11 - 2
XD3-2200-122	371 - 504	XZ9-0585-000	102 - 31	FB3-2965-000	Z40 - 80
XD3-2200-122	710 - 505	CASSETTE FEEDING UNIT-U1/ U2(Numerical Index)		FB3-4149-000	Z40 - 14
XD3-2200-122	810 - 516			FB3-4151-000	Z15 - 3
XD3-2200-142	260 - 504			FB3-4154-000	Z15 - 4
XD3-2200-142	290 - 505			FB3-4155-000	Z40 - 15
XD3-2200-142	360 - 507			FB3-4158-000	Z11 - 7A
XD3-2200-142	371 - 505			FB3-5597-000	Z40 - 16
XD3-2200-162	265 - 507			FB4-2817-000	Z40 - 17
XD3-2200-162	265 - 507			FB4-2987-000	Z40 - 18
XD3-2200-162	267 - 505			FB4-3343-020	Z40 - 19
XD3-2200-162	315 - 507			FB4-3800-000	Z40 - 20
XD3-2200-182	250 - 505			FB4-3801-000	Z40 - 21
XD3-2200-182	265 - 508			FB4-5347-000	Z40 - 22
XD3-2200-182	280 - 503			FB4-5348-000	Z40 - 23
XD3-2200-182	290 - 506			FB4-5349-000	Z40 - 24
XD3-2300-182	530 - 510			FB4-5350-000	Z40 - 25
XD3-2300-262	270 - 504			FB4-5364-000	Z40 - 26
XD9-0079-000	710 - 19			FB4-5365-000	Z40 - 27
XD9-0104-000	310 - 74			FB4-5366-000	Z40 - 28
XD9-0104-000	315 - 59			FB4-5367-000	Z40 - 29
XD9-0108-000	250 - 14			FB4-6700-000	Z40 - 39
XD9-0131-000	310 - 75			FB5-1471-000	Z11 - 3
XD9-0131-000	310 -			FB5-1529-000	Z32 - 1
XD9-0137-010	310 - 76			FB5-1746-000	Z10 - 1
XD9-0169-000	265 - 24			FB5-1747-000	Z10 - 2
XD9-0169-000	290 - 20			FB5-1748-000	Z10 - 3
XD9-0169-000	315 - 60			FB5-2340-000	Z15 - 5
XD9-0169-000	320 - 9			FB5-3760-000	Z95 - 1
XD9-0194-000	710 - 20			FB5-3769-000	Z10 - 4
XD9-0202-000	290 - 21			FB5-3771-000	Z10 - 5
XD9-0205-000	310 - 77			FB5-3772-000	Z10 - 6
XF2-1143-310	250 - 15		FB5-3773-000	Z11 - 4	
XF2-3312-660	107 - 27		FB5-3801-000	Z11 - 5	
XF9-0393-000	316 - 15		FB5-3851-000	Z40 - 31	
XF9-0568-000	310 - 78		FB5-3852-000	Z40 - 32	
XF9-0708-000	535 - 66		FB5-3853-000	Z40 - 33	

NUMERICAL INDEX

CASSETTE FEEDING UNIT-U1/U2(Numerical Index)

PARTS NUMBER	FIGURE & KEY NO.	PARTS NUMBER	FIGURE & KEY NO.	PARTS NUMBER	FIGURE & KEY NO
FB5-3855-000	Z10 - 7	FH2-6552-000	Z95 - 16	FS6-2330-000	Z40 - 62
FB5-3858-000	Z35 - 1	FH3-2580-000	Z95 - 17	FS6-2331-000	Z40 - 63
FB5-3928-000	Z11 - 1	FH4-5724-020	Z90 - IC2	FS6-2900-000	Z40 - 64
FB5-8358-000	Z40 - 85	FH6-1696-000	Z40 - 40	FS7-0103-000	Z40 - 65
FB6-4245-000	Z35 - 1	FH6-1699-000	Z20 - 1	FS7-0104-000	Z40 - 66
FC6-9867-000	Z40 -	FH6-1732-000	Z20 - 1	FS7-0105-000	Z40 - 67
FC8-1205-000	Z40 -	FH7-4509-000	Z32 - 2A	FS7-0521-000	Z20 - 6
FF3-1170-000	Z11 - 15A	FH7-4669-000	Z32 - 2A	FS7-2287-000	Z11 - 20
FF3-1171-000	Z11 - 6	FH7-5770-000	Z40 - 41	FS7-2288-000	Z11 - 21
FF3-1318-000	Z11 - 7	FH7-5782-000	Z40 - 42	FS7-2305-000	Z11 - 22
FF3-2974-000	Z40 - 34	FK2-0149-000	Z35 - 3	FS7-2363-000	Z15 - 9
FF3-2975-000	Z40 - 35	FK2-0149-000	Z40 - 43	FS7-2547-000	Z11 - 19
FF3-3887-000	Z95 - 2	FK2-0212-000	ZB - J2000	FU3-0386-000	Z35 - 5
FF3-4119-000	Z91 - 1	FK2-0212-000	ZB - J2001	NPN	Z10 -
FF3-4134-000	Z11 - 25	FK2-0213-000	ZB - J2001	NPN	Z11 -
FF5-4524-020	Z40 - 36	FK2-0247-000	ZB - J2009	NPN	Z32 -
FF5-4552-020	Z40 - 37	FK2-0247-000	ZB - J2010	NPN	Z95 -
FF5-4634-020	Z40 - 38	FS1-1401-000	Z20 - 2	NPN	ZB -
FF5-4908-000	Z35 - 2	FS1-1512-000	Z40 - 44	NPN	ZB - J1602
FF5-9338-000	Z11 - 9	FS5-0390-000	Z40 - 76	NPN	ZB - J1603
FF6-0792-000	Z11 - 8	FS5-1164-000	Z40 - 82	NPN	ZB - J1604
FG3-0695-000	Z90 -	FS5-1219-000	Z40 - 84	NPN	ZB - J2006
FG3-0800-000	Z11 - 10	FS5-1589-000	Z40 - 45	NPN	ZB - J2007
FG3-0801-000	Z11 - 11	FS5-1594-020	Z35 - 4	NPN	ZB - J2008
FG3-0802-000	Z11 - 12	FS5-1595-000	Z15 - 6	NPN	ZB - J2018
FG3-0803-000	Z11 - 13	FS5-1597-000	Z40 - 83	NPN	ZB - J6571
FG3-0804-000	Z11 - 14	FS5-1598-000	Z15 - 7	PCB	ZB - CN1
FG3-0805-000	Z95 - 7	FS5-1685-000	Z20 - 3	PCB	ZB - CN2
FG3-0806-000	Z95 - 8	FS5-3619-000	Z40 - 46	PCB	ZB - CN3
FG3-0807-000	Z95 - 9	FS5-3620-000	Z40 - 47	PCB	ZB - J1
FG3-0808-000	Z95 - 10	FS5-6487-000	Z40 - 48	PCB	ZB - J650
FG3-0809-000	Z95 - 11	FS5-9164-000	Z40 - 78	PCB	ZB - J651
FG3-0810-000	Z95 - 12	FS5-9222-000	Z11 - 16	PCB	ZB - J652
FG3-0811-000	Z95 - 13	FS5-9397-000	Z11 - 17	PCB	ZB - J655
FG3-0812-000	Z95 - 14	FS5-9608-000	Z11 - 18	PCB	ZB - J657
FG3-0828-000	Z90 -	FS6-0564-000	Z40 - 49	PCB	ZB - J1601
FG3-0830-000	Z11 - 11	FS6-0565-000	Z40 - 50	PCB	ZB - J1602
FG6-6288-000	Z11 - 15	FS6-0569-000	Z40 - 51	PCB	ZB - J1603
FG6-5196-000	Z40 -	FS6-0570-000	Z40 - 52	PCB	ZB - J1604
FG6-5197-000	Z20 -	FS6-0572-000	Z40 - 53	PCB	ZB - J1607
FG6-5198-000	Z15 -	FS6-0573-000	Z40 - 54	PCB	ZB - J1608
FG6-5861-000	Z35 -	FS6-0574-000	Z40 - 55	PCB	ZB - J17403
FG6-5862-000	Z91 -	FS6-0575-000	Z40 - 56	PCB	ZB - J17404
FG6-5866-000	Z32 - 2	FS6-0576-000	Z40 - 57	RB1-6539-000	Z40 - 68
FG6-5867-000	Z32 - 2	FS6-0629-000	Z35 - 5	RB1-6592-000	Z40 - 69
FG6-5872-000	Z32 - 3	FS6-0631-000	Z40 - 58	RB2-3713-000	Z40 - 30
FG6-5874-000	Z32 - 3	FS6-0634-000	Z20 - 4	SYS	ZB - J2000
FG6-9254-000	Z15 - 2	FS6-0635-000	Z20 - 5	SYS	ZB - J2009
FG6-9255-000	Z35 -	FS6-0637-000	Z40 - 59	SYS	ZB - J2009
FG6-9256-000	Z15 -	FS6-2308-000	Z15 - 8	VD5-0323-001	Z91 - FU1
FG6-9257-000	Z20 -	FS6-2325-000	Z40 - 60	VD7-0791-001	Z90 - FU1
FH2-6483-000	ZB - J2001	FS6-2328-020	Z40 - 61	VD7-0795-001	Z90 - FU2

VS1-0002-002 ZB - J2018
 VS1-0978-006 ZB - J1740-3
 VS1-0978-006 ZB - J1740-4

PARTS NUMBER	FIGURE & KEY NO.	PARTS NUMBER	FIGURE & KEY NO.	PARTS NUMBER	FIGURE & KEY NO
VS1-5452-002	ZB - J2011	WS3-5160-000	ZB - CN3	XD9-0121-000	Z20 - 8
VS1-5452-007	ZB - J2000	WS3-5160-000	ZB - J1	XD9-0131-000	Z40 - 73
VS1-5452-007	ZB - J2009	WS3-5160-000	ZB - J650	XD9-0131-000	Z40 - 74
VS1-5452-008	ZB - J2000	WS3-5291-000	ZB - J2016	XD9-0205-000	Z40 - 77
VS1-5452-008	ZB - J2001	WS3-5291-000	ZB - J2017	XF9-0568-000	Z40 - 75
VS1-5452-008	ZB - J2010	WS3-5292-000	ZB - J2016	XG9-0403-000	Z40 - 79
VS1-6258-002	ZB - CN3	WS3-5292-000	ZB - J2017	XZ9-0367-000	Z11 - 29
VS1-6314-003	ZB - J2007	WS3-5596-000	ZB - J2009	XZ9-0410-000	Z11 - 30
VS1-6314-007	ZB - J657	WS3-5596-000	ZB - J2010	PLAIN PEDESTAL- B1(Numerical Index)	
VS1-6314-007	ZB - J6571	WS4-0217-000	ZB - J2018		
VS1-6314-008	ZB - J657	WT1-5020-000	Z95 - 6		
VS1-6314-008	ZB - J6571	WS3-5265-010	Z11 - 10A		
VS1-6314-014	ZB - J652	XA9-0265-010	Z95 - 5		
VS1-6314-018	ZB - J655	XA9-0591-000	Z40 - 70		
VS1-6314-018	ZB - J1601	XA9-0626-000	Z11 - 23		
VS1-6320-006	ZB - J2003	XA9-0626-000	Z35 - 6		
VS1-6320-006	ZB - J2004	XA9-0629-000	Z11 - 26		
VS1-6320-012	ZB - J2002	XA9-0629-000	Z32 - 4		
VS1-6321-003	ZB - J1607	XA9-0629-000	Z95 - 4		
VS1-6321-003	ZB - J1608	XA9-0679-000	Z40 - 81		
VS1-6321-003	ZB - J2008	XA9-0724-000	Z40 - 71		
VS1-6380-006	ZB - J2017	XA9-0732-000	Z10 - 8		
VS1-7177-003	Z11 - 25A	XA9-0732-000	Z11 - 24		
VS1-7177-012	Z11 - 14B	XA9-0732-000	Z20 - 7		
VS1-7177-012	ZB - J2002	XA9-0790-000	Z11 - 28		
VS1-7178-003	ZB - J2005	XA9-0857-000	Z11 - 27		
VS1-7178-003	ZB - J2006	XA9-0892-000	Z95 - 3		
VS1-7178-006	ZB - J2003	XB1-2300-607	Z11 - 501		
VS1-7178-006	ZB - J2004	XB1-2300-607	Z95 - 501		
VS1-7178-007	ZB - J651	XB1-2300-805	Z40 - 501		
VS1-7440-006	Z11 - 14A	XB1-2300-806	Z95 - 502		
VS1-7440-006	ZB - J2003	XB1-2400-407	Z32 - 501		
VS1-7440-006	ZB - J2004	XB1-2400-807	Z95 - 503		
VS1-7507-002	Z95 - 7A	XB1-2400-809	Z15 - 501		
VS1-7507-002	ZB - J2011	XB1-2400-809	Z95 - 504		
VS3-5083-003	ZB - CN2	XB1-2402-009	Z11 - 502		
VS3-5083-004	ZB - CN1	XB2-7300-606	Z95 - 506		
VS3-5083-004	ZB - J650	XB2-8300-806	Z95 - 505		
VS3-5083-005	ZB - J1	XB4-7400-809	Z15 - 502		
VS3-5121-002	ZB - J2016	XB6-7300-605	Z40 - 505		
VS3-5121-006	ZB - J2017	XB6-7300-609	Z20 - 502		
VS3-5122-002	ZB - J2016	XB6-7400-609	Z11 - 503		
WA3-1982-000	Z90 - IC1	XD1-1108-225	Z40 - 502		
WA4-6673-000	Z90 - IC3	XD2-1100-322	Z40 - 506		
WA4-6905-000	Z91 - IC1601	XD2-1100-502	Z35 - 501		
WD3-5073-000	Z95 - 15	XD2-1100-642	Z35 - 502		
WE8-5104-000	Z95 - 7B	XD2-1200-502	Z20 - 501		
WE8-5668-000	Z95 - 10A	XD2-2100-402	Z40 - 503		
WS3-5018-000	ZB - J2001	XD2-2100-502	Z15 - 503		
WS3-5044-000	ZB - J2000	XD3-1200-122	Z40 - 504		
WS3-5160-000	ZB - CN1	XD3-2200-082	Z35 - 503		
WS3-5160-000	ZB - CN2	XD9-0104-000	Z40 - 72		

FB1-6053-000 Z12 - 1
 FB3-2224-000 Z12 - 2
 FB3-4168-000 Z12 - 3

PARTS NUMBER	FIGURE & KEY NO.	PARTS NUMBER	FIGURE & KEY NO.	PARTS NUMBER	FIGURE & KEY NO
FB3-4171-020	Z12 - 12	FG2-9455-000	K90 - 1	FB5-3760-000	K91 - 1
FB3-4172-000	Z13 - 1	FG5-9847-000	K90 -	FF3-3887-000	K91 - 2
FB5-1746-000	Z12 - 4	FH3-0695-000	K90 - T1801	FF3-3888-000	K91 - 3
FB5-1748-000	Z12 - 5	FH3-0725-000	K90 - L1801	FF3-3889-000	K91 - 4
FB5-3769-000	Z12 - 6	XB1-2400-607	K90 - 501	FF3-3890-000	K91 - 5
FB5-3773-000	Z13 - 2	POWER SUPPLY UNIT-M1(Numerical Index)		FF3-3891-000	K91 - 6
FB5-3777-000	Z12 - 7			FG3-0805-000	K91 - 7
FB5-3779-000	Z12 - 8			FG3-0806-000	K91 - 8
FB5-3781-000	Z12 - 9			FG3-0807-000	K91 - 9
FB5-3855-000	Z12 - 10			FG3-0808-000	K91 - 10
FF5-9372-000	Z13 - 4			FG3-0809-000	K91 - 11
FF6-0792-000	Z13 - 3			FG3-0810-000	K91 - 12
NPN	Z12 -			FG3-0811-000	K91 - 13
NPN	Z13 -			FG3-0812-000	K91 - 14
XA9-0732-000	Z12 - 11			FG3-0813-000	K91 - 14
XA9-0732-000	Z13 - 6			FG3-0814-000	K91 - 14
XA9-0790-000	Z13 - 7			FH2-5006-000	K91 - 15
XB4-7400-809	Z12 - 501			FH2-6552-000	K91 - 16
XZ9-0367-000	Z13 - 8			FH3-2580-000	K91 - 17
XZ9-0410-000	Z13 - 5			FH3-2581-000	K91 - 17
POWER SUPPLY UNIT-L1(Numerical Index)				FK2-0212-000	KB - J2000
				FK2-0247-000	KB - J2009
				FK2-0247-000	KB - J2010
		NPN	K91 -		
		NPN	KB -		
		PCB	KB - CN1		
		PCB	KB - CN2		
		PCB	KB - CN3		
		PCB	KB - J1		
		SYS	KB - J2000		
		SYS	KB - J2009		
		SYS	KB - J2010		
		VS1-5452-002	KB - J2011		
		VS1-5452-007	KB - J2000		
		VS1-5452-007	KB - J2009		
		VS1-5452-008	KB - J2000		
		VS1-5452-008	KB - J2010		
		VS1-6258-002	KB - CN3		
VS1-6380-006	KB - J2017				
VS1-7507-002	K91 - 7A				
VS1-7507-002	KB - J2011				
VS3-5083-003	KB - CN2				
VS3-5083-004	KB - CN1				
VS3-5083-005	KB - J1				
VS3-5121-002	KB - J2016				
VS3-5121-006	KB - J2017				
VS3-5122-002	KB - J2016				
WD3-5073-000	K91 - 18				
WE8-5104-000	K91 - 7B				
WE8-5668-000	K91 - 10A				
WS3-5044-000	KB - J2000				
WS3-5160-000	KB - CN1				

WS3-5160-000 KB - CN2
 WS3-5160-000 KB - CN3
 WS3-5160-000 KB - J1

PARTS NUMBER	FIGURE & KEY NO.	PARTS NUMBER	FIGURE & KEY NO.	PARTS NUMBER	FIGURE & KEY NO
WS3-5291-000	KB - J2016	FE1-4868-000	K92 - 1		
WS3-5291-000	KB - J2017	FE1-5308-000	K92 - 6		
WS3-5292-000	KB - J2016	FE1-5309-000	K92 - 3		
WS3-5292-000	KB - J2017	FE1-5310-000	K92 - 4		
WS3-5596-000	KB - J2009	FE1-5311-000	K92 - 5		
WS3-5596-000	KB - J2010	FE1-5312-000	K92 - 6		
WT1-5020-000	K91 - 19	FE1-5313-000	K92 - 7		
XA9-0265-010	K91 - 20	FE1-5321-000	K92 - 8		
XA9-0265-010	K91 - 21	FE1-5446-000	K92 - 2		
XA9-0629-000	K91 - 22	NPN	K92 -		
XB1-2300-607	K91 - 501				
XB1-2300-806	K91 - 502				
XB1-2400-807	K91 - 503				
XB1-2400-809	K91 - 504				
XB1-2400-809	K91 - 505				
XB1-2400-809	K91 - 506				
XB1-2401-209	K91 - 507				
XB1-2402-509	K91 - 508				
XB1-2500-606	K91 - 509				
XB1-2500-606	K91 - 510				
XB2-7300-606	K91 - 511				
XB2-8300-806	K91 - 512				
XD1-4200-502	K91 - 513				
XD1-4200-502	K91 - 514				

**PDL BOARD-
 A1(Numerical Index)**

COLOR IMAGE READER-A1/B1(Parts Catalog)

COLOR IMAGE READER-A1

120V 60Hz	F13-5901	PQS00001-
100V 50/60Hz	F13-5911	LQB00001-
220V 50Hz	F13-5921	PQB00001-
120V 60Hz	F13-5931	NQN00001-
220V 50Hz	F13-5941	PQE00001-
240V 50Hz	F13-5951	QQP00001-
240V 50Hz	F13-5961	RQB00001-
220V 50Hz	F13-5971	SQB00001-
220V 50Hz	F13-5981	TCH00001-
220V 50Hz	F13-5991	UFD00001-

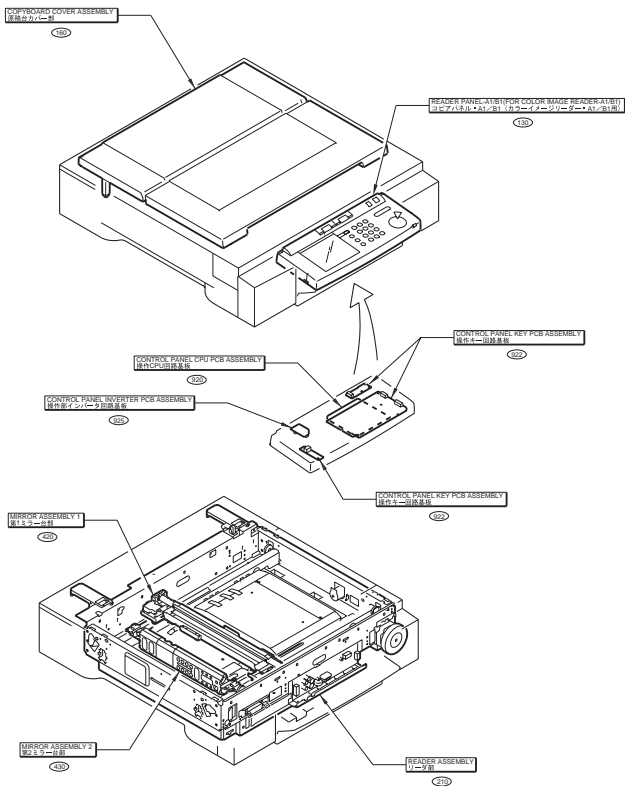
COLOR IMAGE READER-B1

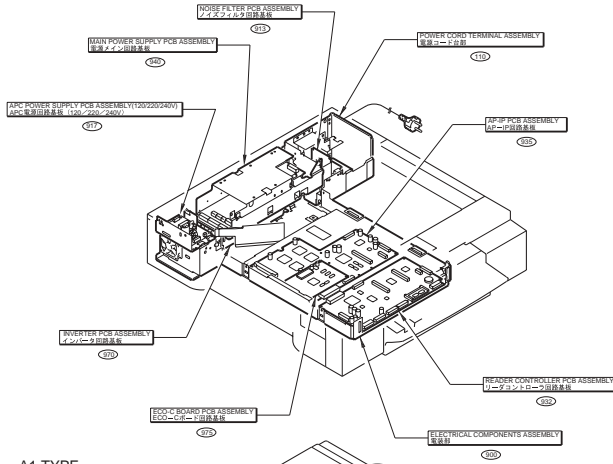
120V 60Hz	F13-5901	MQE00001-
100V 50/60Hz	F13-5911	MGJ00001-
220V 50Hz	F13-5921	RSF00001-
120V 60Hz	F13-5931	MQD00001-
220V 50Hz	F13-5941	RFB00001-
240V 50Hz	F13-5951	QEX00001-
240V 50Hz	F13-5961	RFD00001-
220V 50Hz	F13-5971	SEB00001-
220V 50Hz	F13-5981	TEJ00001-
220V 50Hz	F13-5991	UJD00001-

Contents

A	ASSEMBLY LOCATION DIAGRAM	2-1
001	SPECIAL TOOLS.....	2-3
100	EXTERNAL COVERS, PANELS, ETC.	2-4
110	POWER CORD TERMINAL ASSEMBLY	2-7
130	READER PANEL-A1/B1 (FOR COLOR IMAGE READER-A1/B1).....	2-9
160	COPYBOARD COVER ASSEMBLY	2-11
210	READER ASSEMBLY.....	2-12
420	MIRROR ASSEMBLY 1	2-16
430	MIRROR ASSEMBLY 2	2-18
900	ELECTRICAL COMPONENTS ASSEMBLY	2-19
913	NOISE FILTER PCB ASSEMBLY	2-21
917	APC POWER SUPPLY PCB ASSEMBLY (120/220/240V)	2-22
920	CONTROL PANEL CPU PCB ASSEMBLY	2-23
922	CONTROL PANEL KEY PCB ASSEMBLY.....	2-24
925	CONTROL PANEL INVERTER PCB ASSEMBLY.....	2-25
932	READER CONTROLLER PCB ASSEMBLY	2-26
935	AP-IP PCB ASSEMBLY	2-28
940	MAIN POWER SUPPLY PCB ASSEMBLY	2-29
970	INVERTER PCB ASSEMBLY	2-31
975	ECO-C BOARD PCB ASSEMBLY	2-32
995	READER-PRINTER INTERFACE PCB ASSEMBLY (FOR COLOR IMAGE READER-A1)	2-33
B	LIST OF CONNECTORS.....	2-34

FIGURE A ASSEMBLY LOCATION DIAGRAM





A1 TYPE

READER-PRINTER INTERFACE PCB ASSEMBLY
(FOR COLOR IMAGE READER-A1)
読取装置とプリンタのインターフェース回路基板
(カラーイメージリーダー-A1用) (424)

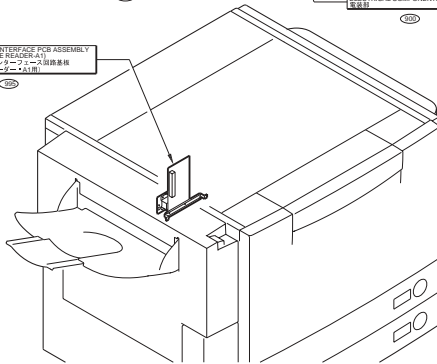


FIGURE 001 SPECIAL TOOLS

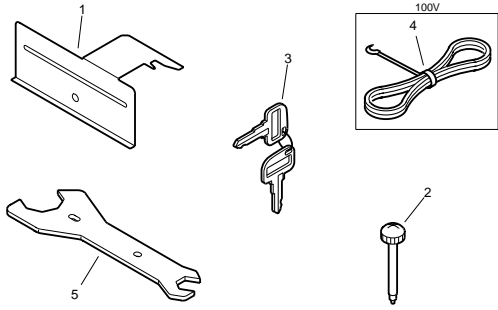


FIGURE & KEY NO.	PARTS NUMBER	RANK	QTY	DESCRIPTION	SERIAL NUMBER/REMARKS	SVC
Fig.001	NPN		RF	SPECIAL TOOLS		
1	FB4-0887-000		1	PLATE, MIRROR MOUNTING		
2	FB4-0902-000		2	SCREW, STEPPED, M4		
3	FF2-5915-000		1	KEY, SWITCH		
4	FH2-5006-000		1	WIRE, GROUNDING	100V	
5	FY9-1027-000		1	SPANNER, ADJUSTING		

FIGURE 100 EXTERNAL COVERS, PANELS, ETC.

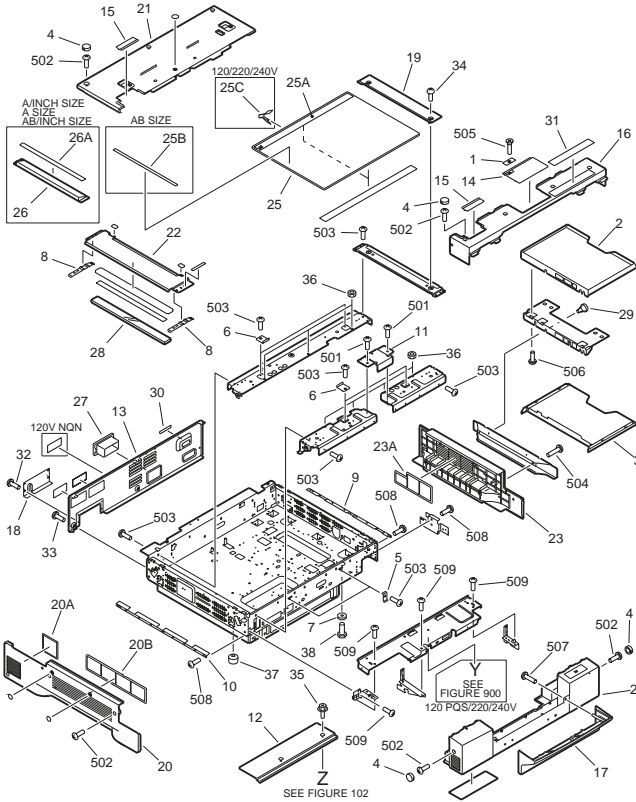
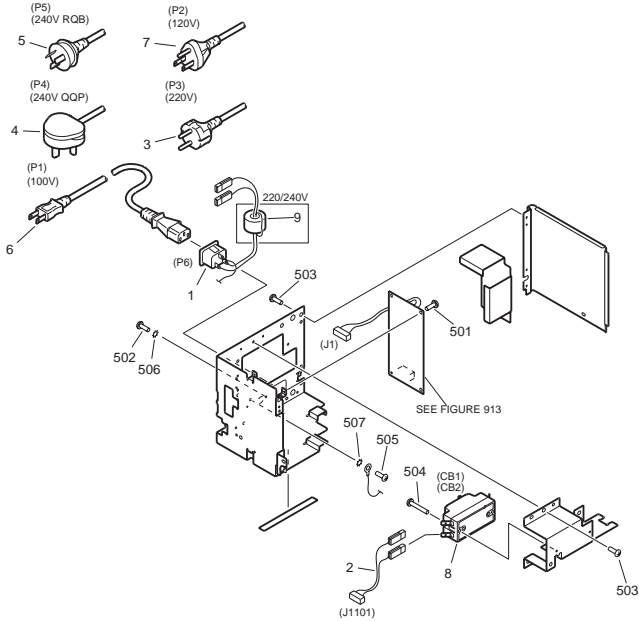


FIGURE & KEY NO.	PARTS NUMBER	RANK	QTY	DESCRIPTION	SERIAL NUMBER/REMARKS	SVC
Fig.100	NPN		RF	EXTERNAL COVERS, PANELS, ETC.		
1	FA3-9315-020		1	PLATE, COVER		
2	FB1-7737-000		1	TRAY, DOCUMENT, UPPER		
3	FB1-7738-000		1	TRAY, DOCUMENT, LOWER		
4	FB3-6085-000		9	COVER, HOLE BLANKING		
5	FB4-0709-000		2	PLATE, ADJUSTING		
6	FB4-0715-020		4	PLATE, GLASS RETAINING		
7	FB4-0753-020		1	NUT		
8	FB4-0773-000		2	SPRING, LEAF		
9	FB4-0810-000		1	SPRING, LEAF		

FIGURE & KEY NO.	PARTS NUMBER	R A N K	Q'TY	DESCRIPTION	SERIAL NUMBER/ REMARKS	S V C
10	FB4-0811-000		1	SPRING, LEAF		
11	FB4-0872-000		1	COVER, LOWER		
12	FB5-1535-000		1	PANEL, UPPER, FRONT CENTER		
13	FB5-2041-000		1	PANEL, REAR		
14	FB5-2045-000		1	COVER, UPPER		
15	FB5-2046-000		2	SUPPORT, GLASS, RIGHT		
16	FB5-2363-000		1	PANEL, FRONT UPPER		
17	FB5-2365-000		1	PANEL, FRONT, LOWER		
18	FB5-2371-000		1	COVER, INTERFACE CONNECTOR		
19	FB5-2372-000		1	PLATE, GLASS RETAINER, RIGHT		
20	FF5-9435-000		1	PANEL, LEFT		
20A	FB4-0834-000		1	FILTER, 3		
20B	FB4-0888-000		1	FILTER, 1		
21	FF5-9437-000		1	PANEL, UPPER, REAR		
22	FF5-9438-000		1	PLATE, GLASS SUPPORT, LEFT		
23	FF5-9513-000		1	PANEL, RIGHT		
23A	FB4-0889-000		1	FILTER, 2		
24	FF5-9514-000		1	PANEL, FRONT		
25	FF5-9689-000		1	GLASS, COPYBOARD	AB SIZE	
25	FF5-9691-000		1	GLASS, COPYBOARD	A/INCH SIZE	
25	FF5-9692-000		1	GLASS, COPYBOARD	A SIZE	
25	FF5-9693-000		1	GLASS, COPYBOARD	AB/INCH SIZE	
25A	FS7-8012-000		1	PLATE, WIDTH SIZE	AB SIZE	
25A	FS7-8013-000		1	PLATE, WIDTH SIZE	A/INCH SIZE	
25A	FS7-8014-000		1	PLATE, WIDTH SIZE	A SIZE	
25A	FS7-8015-000		1	PLATE, WIDTH SIZE	AB/INCH SIZE	
25B	FS7-8016-000		1	PLATE, LENGTH SIZE	AB SIZE	
25C	FB4-0711-000		1	SPRING, LEAF	120/220/240V	
26	FF5-9695-000		1	PLATE, PAPER JUMP SUPPORT	A/INCH SIZE	
26	FF5-9696-000		1	PLATE, PAPER JUMP SUPPORT	A SIZE	
26	FF5-9697-000		1	PLATE, PAPER JUMP SUPPORT	AB/INCH SIZE	
26A	FS7-8018-000		1	PLATE, LENGTH SIZE	A/INCH SIZE	

FIGURE & KEY NO.	PARTS NUMBER	R A N K	Q'TY	DESCRIPTION	SERIAL NUMBER/ REMARKS	S V C
26A	FS7-8019-000		1	PLATE, LENGTH SIZE	A SIZE	
26A	FS7-8020-000		1	PLATE, LENGTH SIZE	AB/INCH SIZE	
27	FH2-6552-000		1	COVER, CONNECTOR		
28	FN5-4116-000		1	PLATE, REFLECTOR		
29	FS5-9494-020		2	SCREW, STEPPED, M4		
30	FS6-8923-000		1	LABEL, BREAKER ON/OFF		
31	FS6-8966-000		1	LABEL, 'LEGAL LIMITATIONS'	JAPANESE	
31	FS6-8967-000		1	LABEL, 'LEGAL LIMITATIONS'	ENGLISH PQS, PQE, ENGLISH RQB, UFD	
31	FS6-8968-000		1	LABEL, 'LEGAL LIMITATIONS'	FRENCH	
31	FS6-8969-000		1	LABEL, 'LEGAL LIMITATIONS'	GERMAN	
31	FS6-8970-000		1	LABEL, 'LEGAL LIMITATIONS'	ENGLISH QQP	
31	FS6-8972-000		1	LABEL, 'LEGAL LIMITATIONS'	ITALIAN	
31	FS6-8973-000		1	LABEL, 'LEGAL LIMITATIONS'	ENGLISH NQN	
32	XA9-0265-010		4	SCREW, W/WASHER, TRUSS HEAD		
33	XA9-0265-010		3	SCREW, W/WASHER, TRUSS HEAD		
34	XA9-0385-000		2	SCREW, W/WASHER, TRUSS HEAD		
35	XA9-0629-000		2	SCREW, RS, M4X8		
36	XA9-0980-000		7	NUT, HEX, M6		
37	XH9-0105-000		3	RUBBER, FOOT		
38	XZ9-0617-000		1	ADJUSTER		
501	XB1-2400-505		28	SCREW, MACH., TRUSS HEAD, M4X5		
502	XB1-2400-607		AR	SCREW, MACH., TRUSS HEAD, M4X6		
503	XB1-2400-609		AR	SCREW, MACH., TRUSS HEAD, M4X6		
504	XB1-2401-007		2	SCREW, MACH., TRUSS HEAD, M4X10		
505	XB1-3400-806		1	SCREW, MACH., C.S. HEAD, M4X8		
506	XB4-7300-609		2	SCREW, TAPPING, TRUSS HEAD, M3X6		
507	XB4-7401-009		4	SCREW, TAPPING, TRUSS HEAD, M4X10		
508	XB6-7300-607		17	SCREW, TP, M3X6		
509	XB6-7400-607		AR	SCREW, TP, M4X6		

FIGURE 110 POWER CORD TERMINAL ASSEMBLY



NOTE1: This assembly includes the assembly shown in Figure 913.

NOTE2: This assembly does not include the parts shown with key No.3,4,5,6 and 7.

注1：このユニットはFigure913のユニットを含みます。

注2：このユニットにKey No. 3, 4, 5, 6, 7の部品は含まれません。

FIGURE & KEY NO.	PARTS NUMBER	R A N K	QTY	DESCRIPTION	SERIAL NUMBER/REMARKS	S V C
Fig.110	FG6-4575-000		1	POWER CORD TERMINAL ASSEMBLY	100/120VSEE NOTE 1	
Fig.110	FG6-4576-000		1	POWER CORD TERMINAL ASSEMBLY	220/240VSEE NOTE 1	
1	FG3-0912-000		1	AC SOCKET ASSEMBLY	P6	
2	FG3-0914-000		1	CABLE, FILTER BREAKER	J1101	
3	FH2-7080-000		1	CORD, POWER	SEE NOTE 2220V P3	
4	FH2-5762-000		1	CORD, POWER	SEE NOTE 2240V QQP P4	
5	FH2-7082-000		1	CORD, POWER	SEE NOTE 2240V RQB P5	
6	FH2-7078-000		1	POWER CORD	SEE NOTE 2100V P1	
7	FH2-6719-000		1	POWER CORD	SEE NOTE 2120V P2	

FIGURE & KEY NO.	PARTS NUMBER	RANK	Q'TY	DESCRIPTION	SERIAL NUMBER/REMARKS	SVC
8	FH7-7653-000		1	BREAKER, CIRCUIT	100/120VCB1	
8	FH7-7575-000		1	BREKER,CIRCUIT	220/240VCB2	
9	WE8-5184-000		1	FERRITE CORE	220/240V	
501	XB1-2300-607		4	SCREW,MACH.,TRUSS HEAD,M3X6		
502	XB1-2400-603		1	SCREW,MACH.,TRUSS HEAD,M4X6		
503	XB1-2400-607		5	SCREW,MACH.,TRUSS HEAD,M4X6		
504	XB1-2402-009		2	SCREW,MACH.,TRUSS HEAD,M4X20		
505	XB1-2500-606		1	SCREW,MACH.,TRUSS HEAD,M5X6		
506	XD1-4200-402		1	WASHER,TOOTHED LOCK		
507	XD1-4200-502		1	WASHER,TOOTHED LOCK		

FIGURE 130 READER PANEL-A1/B1 (FOR COLOR IMAGE READER-A1/B1)

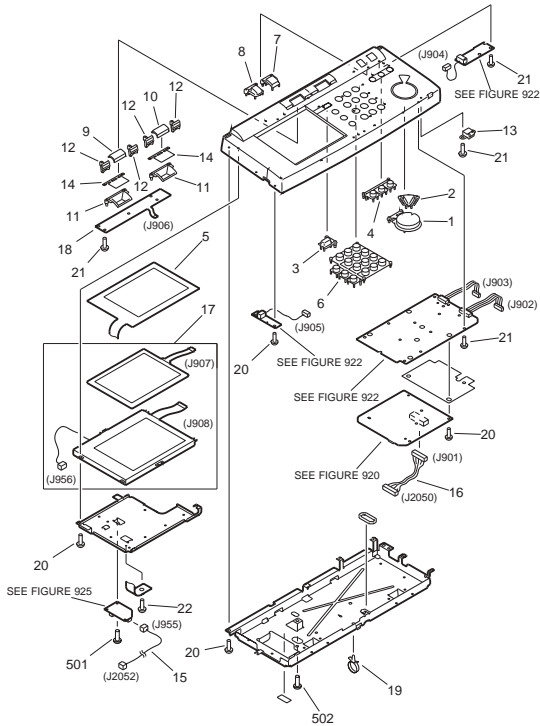


FIGURE & KEY NO.	PARTS NUMBER	RANK	QTY	DESCRIPTION	SERIAL NUMBER/REMARKS	SVC
Fig.130	NPN		RF	READER PANEL-A1/B1		
1	FB4-2581-000		1	KEY TOP, COPY		
2	FB4-2582-000		1	KEY TOP, STOP		
3	FB4-2583-000		1	KEY TOP, RESET		
4	FB4-2585-000		1	KEY TOP, 3 CONTINUITY		
5	FB4-6704-000		1	PLATE, GROUNDING		
6	FB5-1789-000		1	KEY TOP, NUMBERS		
7	FB5-1790-000		1	KEY TOP, POWER SUPPLY		
8	FB5-1791-000		1	KEY TOP, STAND BY		
9	FB5-1792-000		1	KEY TOP, FUNCTION, COPY	JAPANESE	
9	FB5-1807-000		1	KEY TOP, FUNCTION, COPY	ENGLISH	

FIGURE & KEY NO.	PARTS NUMBER	RANK	Q'TY	DESCRIPTION	SERIAL NUMBER/REMARKS	SVC
9	FB5-1808-000		1	KEY TOP, FUNCTION, COPY	FRENCH	
9	FB5-1809-000		1	KEY TOP, FUNCTION, COPY	GERMAN	
9	FB5-1810-000		1	KEY TOP, FUNCTION, COPY	ILLUSTRATION	
10	FB5-1793-000		1	KEY TOP, FUNCTION, EXPANSION	JAPANESE	
10	FB5-1811-000		1	KEY TOP, FUNCTION, EXPANSION	ENGLISH	
10	FB5-1812-000		1	KEY TOP, FUNCTION, EXPANSION	FRENCH	
10	FB5-1813-000		1	KEY TOP, FUNCTION, EXPANSION	GERMAN	
10	FB5-1814-000		1	KEY TOP, FUNCTION, EXPANSION	ILLUSTRATION	
11	FB5-1794-000		2	BLOCK, REFLECTOR		
12	FB5-1795-000		4	COVER, LED		
13	FB5-1797-000		1	COVER, POWER LED		
14	FB5-1798-000		2	SHEET, REFLECTOR		
15	FG6-4314-000		1	CABLE, INVERTER	J955,2052	
16	FG6-4315-000		1	CABLE, JST	J901,2050	
17	FG6-5428-000		1	LCD CONTROL PANEL UNIT	J907,908,956	
18	FH6-0770-000		1	LED PCB ASSEMBLY	J906	
19	WT2-5565-000		1	CLAMP, CABLE		
20	XA9-0591-000		20	SCREW,M3X8		
21	XA9-0591-000		23	SCREW,M3X8		
22	XA9-0670-000		1	SCREW,M3X6		
501	XB1-2300-609		2	SCREW,MACH.,TRUSS HEAD,M3X6		
502	XB2-7400-607		1	SCREW,W/WASHER,M4X6		

FIGURE 160 COPYBOARD COVER ASSEMBLY

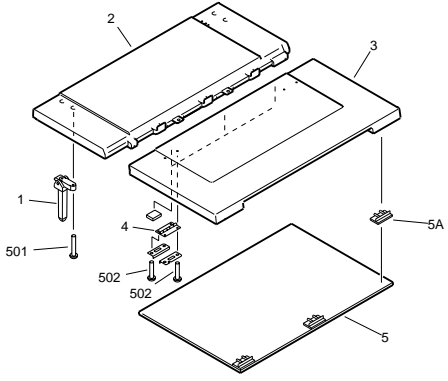


FIGURE & KEY NO.	PARTS NUMBER	RANK	Q'TY	DESCRIPTION	SERIAL NUMBER/REMARKS	SVC
Fig.160	FG9-3772-000		1	COPYBOARD COVER ASSEMBLY		
1	FA6-5650-000		2	HINGE, COPYBOARD COVER		
2	FA9-3666-000		1	COVER, COPYBOARD, REAR		
3	FA9-3667-000		1	COVER, COPYBOARD, FRONT		
4	FA9-3703-000		2	PLATE, HINGE		
5	FF9-1694-000		1	CUSHION ASS'Y, COPYBOARD COVER		
5A	FA9-3637-000		3	PLATE, CUSHION MOUNTING		
501	XB1-2401-609		4	SCREW,MACH.,TRUSS HEAD,M4X16		
502	XB4-7401-209		8	SCREW,TAPPING,TRUSS HEAD.M4X12		

FIGURE 210 READER ASSEMBLY

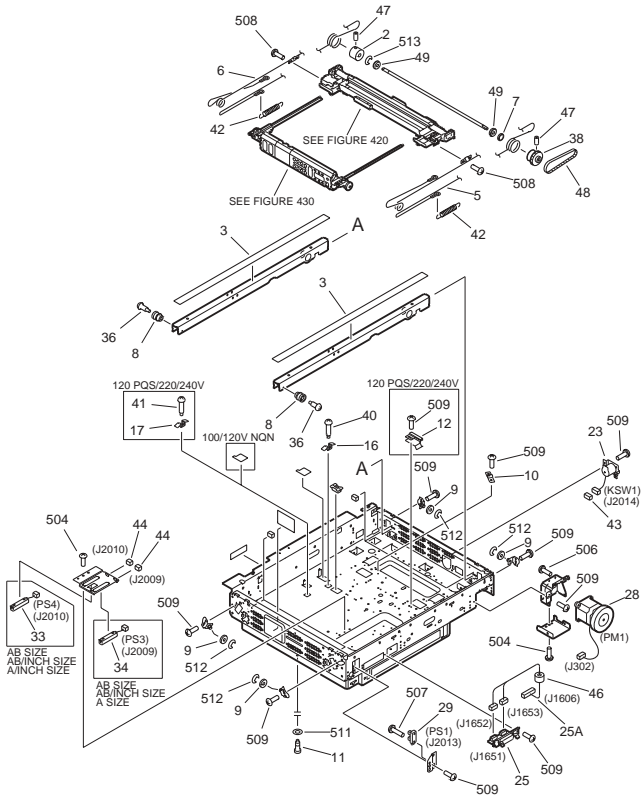
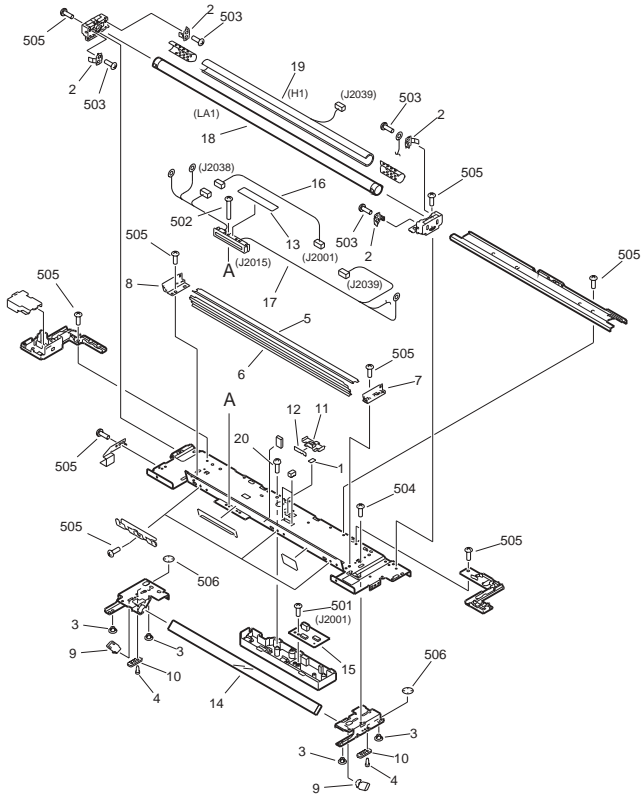


FIGURE & KEY NO.	PARTS NUMBER	R A N K	Q'TY	DESCRIPTION	SERIAL NUMBER/ REMARKS	S V C
10	FB4-0816-000		1	PLATE, GROUNDING, 3		
11	FB4-2692-000		2	SCREW, M6X6		
12	FB4-9143-000		1	SPRING, LEAF	120V PQS220/240V	
13	FB4-9144-000		1	SPRING, LEAF	120V PQS220/240V	
14	FB4-9148-000		1	SPRING, LEAF		
15	FB4-9148-000		1	SPRING, LEAF		
16	FB4-9149-000		1	SPRING, LEAF		
17	FB4-9149-000		1	SPRING, LEAF	120V PQS220/240V	
18	FB5-2048-000		1	MOUNT, SENSING		
19	FF5-6576-000		1	PLATE, LENS MOUNTING		
20	FG2-9434-000		1	MOTOR DRIVER POWER CABLE	J301,2002	
21	FG2-9435-000		1	MOTOR DRIVER SIGNAL CABLE	J303,1605	
22	FG5-9842-000		1	MOTOR DRIVER PCB ASSEMBLY		
23	FG5-9851-000		1	KEY SWITCH UNIT	KSW1 J2014	
24	FG6-0363-000		1	CCD UNIT		
24A	FG2-9438-000		1	CABLE, 2	J101,2017	
24B	FG3-1175-000		1	CABLE, 1	J102,2016	
24C	WT2-5565-000		1	CLAMP, CABLE		
25	FG6-4580-000		1	CONNECTOR MOUNTING UNIT		
25A	FG3-1465-000		1	CABLE, CONNECTOR MOUNTING	J1606,1652,1653	
25B	WE8-5496-000		1	CORE, FERRITE		
26	FH2-6451-000		1	CABLE, FLUORESCENT	J1610,2018,2037	
27	FH2-6452-020		1	CABLE, FLUORESCENT LAMP	J2015,2037	
28	FH6-1465-000		1	MOTOR, STEPPING	PM1 J302	
29	FH7-7306-000		1	PHOTO-INTERRUPTER	PS1 J2013	
30	FK2-0149-000		1	PHOTO-INTERRUPTER	PS2 J2007	
31	FH7-7423-020		1	SENSOR, DOCUMENT, REAR	AB SIZE, A SIZE, AB/INCH SIZE	
31	FH7-7386-000		1	SENSOR, DOCUMENT, REAR	A/INCH SIZE	
32	FH7-7423-020		1	SENSOR, DOCUMENT, REAR	AB SIZEAB/INCH SIZE	
32	FH7-7386-000		1	SENSOR, DOCUMENT, REAR	A/INCH SIZE	
33	FH7-7424-020		1	SENSOR, DOCUMENT, FRONT	AB SIZEAB/INCH SIZE	

FIGURE & KEY NO.	PARTS NUMBER	R A N K	Q'TY	DESCRIPTION	SERIAL NUMBER/ REMARKS	S V C
33	FH7-7388-000		1	SENSOR, DOCUMENT, FRONT	A/INCH SIZE	
34	FH7-7424-020		1	SENSOR, DOCUMENT, FRONT	AB SIZE, A SIZEAB/INCH SIZE	
35	FS1-9054-000		1	SCREW, STEPPED, M4		
36	FS1-9054-000		2	SCREW, STEPPED, M4		
37	FS2-2351-000		1	SPRING, TENSION		
38	FS5-3250-000		1	PULLEY, 66T		
39	FS5-9162-020		2	SCREW, STEPPED, M4		
40	FS5-9618-000		1	SCREW, STEPPED, M4		
41	FS5-9618-000		1	SCREW, STEPPED, M4	120V PQS220/240V	
42	FS6-2737-000		2	SPRING, TENSION		
43	VS1-7177-002		1	CONNECTOR, SNAP TIGHT	J2014	
44	VS1-7177-003		2	CONNECTOR, SNAP TIGHT	J2009, 2010	
45	VS1-7177-003		2	CONNECTOR, SNAP TIGHT	J2011, 2012	
46	WE8-5496-000		1	CORE, FERRITE		
47	XA9-0546-020		4	SETSCREW, M4X6		
48	XF9-0422-000		1	BELT, TIMING		
49	XG9-0249-000		2	BEARING, BALL		
501	XB1-2301-209		2	SCREW, MACH., TRUSS HEAD, M3X12		
502	XB1-2400-607		AR	SCREW, MACH., TRUSS HEAD, M4X6		
503	XB1-2400-609		1	SCREW, MACH., TRUSS HEAD, M4X6		
504	XB1-2400-609		AR	SCREW, MACH., TRUSS HEAD, M4X6		
505	XB1-2400-609		1	SCREW, MACH., TRUSS HEAD, M4X6		
506	XB1-2400-609		4	SCREW, MACH., TRUSS HEAD, M4X6		
507	XB1-2401-009		1	SCREW, MACH., TRUSS HEAD, M4X10		
508	XB2-8300-809		4	SCREW, W/WASHER, M3X8		
509	XB6-7400-607		AR	SCREW, TP, M4X6		
510	XB7-2100-409		3	NUT, HEX, M4		
511	XD1-2101-005		2	WASHER, PLAIN		
512	XD2-1100-642		4	RING, E		
513	XD2-1100-642		1	RING, E		

FIGURE 420 MIRROR ASSEMBLY 1



NOTE: This assembly does not include the part shown with key No. 13.
注：このユニットにKey No. 13の部品は含まれません。

FIGURE & KEY NO.	PARTS NUMBER	RANK	QTY	DESCRIPTION	SERIAL NUMBER/REMARKS	SVC
Fig.420	FG5-9838-000		1	MIRROR ASSEMBLY 1		
1	FB1-0715-000		1	ND FILTER		
2	FB2-1954-020		4	PLATE, CONTACT		
3	FB3-2411-000		4	PIN, SLIDE		
4	FB3-7692-000		4	PIN, PAD, 2		
5	FB4-0786-000		1	REFLECTOR, LOWER		
6	FB4-0787-000		1	REFLECTOR, AUXILIARY		
7	FB4-0788-000		1	REFLECTOR, FRONT		
8	FB4-0789-000		1	REFLECTOR, REAR		

FIGURE & KEY NO.	PARTS NUMBER	R A N K	Q'TY	DESCRIPTION	SERIAL NUMBER/ REMARKS	S V C
9	FB4-0799-000		2	SPRING, LEAF		
10	FB4-0802-000		2	PAD, OIL		
11	FB4-0804-000		1	CAP, SENSOR		
12	FB4-0832-000		1	PLATE, LIGHT BLOCKING		
13	FB4-0867-000		1	LABEL, 'WARNING'	SEE NOTE100V	
13	FB4-0868-000		1	LABEL, 'WARNING'	SEE NOTE120/220/240V	
14	FF5-6579-000		1	MIRROR, 1		
15	FG2-9439-000		1	LIGHT SENSOR PCB ASSEMBLY	J2001	
16	FG2-9440-000		1	CABLE, EXPOSURE CONTROL	J2001,2038	
17	FH2-7057-000		1	CONNECTOR	J2015,2038,2039	
18	FH7-3336-000		1	LAMP, FLUORESCENT	LA1	
19	FH7-4559-030		1	HEATER, FLUORESCENT LAMP	H1 J2039	
20	XA9-0596-000		1	SCREW,P,M3X6		
501	XB1-2300-409		1	SCREW,MACH.,TRUSS HEAD,M3X4		
502	XB1-2301-209		2	SCREW,MACH.,TRUSS HEAD,M3X12		
503	XB2-8300-607		4	SCREW,W/WASHER,M3X6		
504	XB2-8300-809		4	SCREW,W/WASHER,M3X8		
505	XB6-7300-609		15	SCREW,TP,M3X6		
506	XD2-2300-202		4	RING,TOOTHED LOCK		

FIGURE 430 MIRROR ASSEMBLY 2

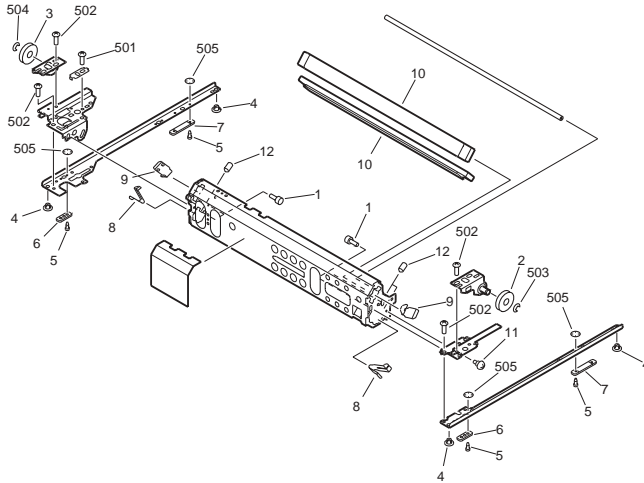


FIGURE & KEY NO.	PARTS NUMBER	RANK	QTY	DESCRIPTION	SERIAL NUMBER/REMARKS	SVC
Fig.430	FG5-9839-090		1	MIRROR ASSEMBLY 2		
1	FA9-1990-020		4	SCREW,ALLEN HEAD,M3X6		
2	FB1-6663-000		1	PULLEY		
3	FB1-6663-000		1	PULLEY		
4	FB3-2411-000		4	PIN, SLIDE		
5	FB3-7692-000		8	PIN, PAD, 2		
6	FB4-0802-000		2	PAD, OIL		
7	FB4-0825-000		2	PAD, OIL, LEFT		
8	FB4-0831-000		2	SPRING, LEAF		
9	FB4-0864-000		2	SPRING, LEAF, MIRROR		
10	FF5-6581-000		2	MIRROR, 2/3		
11	FS1-9009-020		2	SCREW,STEPPED,M3		
12	XA9-0425-030		3	SETSCREW,HEX SOCKET		
501	XB1-2300-409		3	SCREW,MACH.,TRUSS HEAD,M3X4		
502	XB6-7300-409		9	SCREW,TP,M3X4		
503	XD2-1100-642		1	RING,E		
504	XD2-1100-642		1	RING,E		
505	XD2-2300-202		8	RING,TOOTHED LOCK		

FIGURE 900 ELECTRICAL COMPONENTS ASSEMBLY

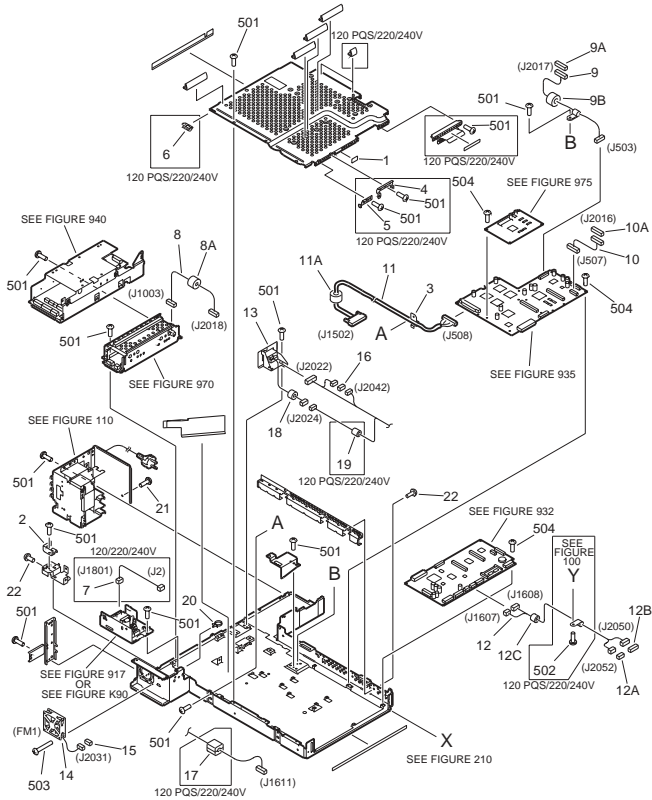
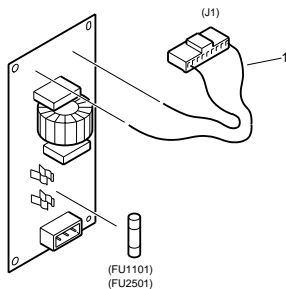


FIGURE & KEY NO.	PARTS NUMBER	RANK	QTY	DESCRIPTION	SERIAL NUMBER/REMARKS	SVC
Fig.900	NPN		RF	ELECTRICAL COMPONENTS ASSEMBLY		
1	FB4-0819-000		1	LABEL, 'COPY LOAD'		
2	FB4-0820-000		1	PLATE, GROUNDING		
3	FB4-0881-000		1	PLATE, GROUNDING		
4	FB4-9141-000		1	SPRING, LEAF	120V PQS220/240V	
5	FB4-9142-000		1	SPRING, LEAF	120V PQS220/240V	
6	FB5-2385-000		1	SPRING, GROUNDING	120V PQS220/240V	
7	FG2-9455-000		1	CABLE, AC	120/220/240VJ2,1801	
8	FG2-9456-000		1	CABLE, INVERTER LAMP	J1003,2018	
8A	WE8-5256-000		1	CLAMP, FERRITE		

FIGURE & KEY NO.	PARTS NUMBER	R A N K	Q'TY	DESCRIPTION	SERIAL NUMBER/ REMARKS	S V C
9	FG2-9457-000		1	CABLE, CCD, 2	100/120V NQNJ503,2017	
9	FG3-0919-000		1	CABLE, CCD, 2	120 PQS/220/240VJ503,2017	
9A	VS1-5057-015		1	CONNECTOR, SNAP TIGHT	J2017	
9B	WE8-5184-000		1	FERRITE CORE		
10	FG2-9464-000		1	CABLE, CCD, 1	J507,2016	
10A	VS1-7177-013		1	CONNECTOR, SNAP TIGHT	J2016	
11	FG3-0907-000		1	INTERFACE CABLE	J508,1502	
11A	WE8-5778-000		1	CORE, FERRITE		
12	FG3-0913-000		1	CABLE, CONTROL PANEL CONNECT	100/120V NQNJ1607,1608,2050,2052	
12	FG3-0918-000		1	CABLE, CONTROL PANEL CONNECT	120 PQS/220/240VJ1607,1608,2050,2052	
12A	VS1-7177-002		1	CONNECTOR, SNAP TIGHT	J2052	
12B	VS1-6319-030		1	CONNECTOR, SNAP TIGHT	J2050	
12C	WE8-5800-000		1	CORE, FERRITE		
13	FG5-9881-000		1	CABLE, DF LATTICE	J2022,2024	
14	FH6-1463-020		1	FAN, COOLING	FM1 J2031	
15	VS1-7177-003		1	CONNECTOR, SNAP TIGHT	J2031	
16	VS1-7507-002		1	CONNECTOR, SNAP TIGHT	J2042	
17	WE8-5168-000		1	CLAMP, SLEEVE FERRITE	120V PQS220/240V	
18	WE8-5496-000		1	CORE, FERRITE		
19	WE8-5780-000		1	CORE, FERRITE	120V PQS220/240V	
20	WT2-5565-000		1	CLAMP, CABLE		
21	XA9-0265-010		1	SCREW,W/WASHER,TRUSS HEAD		
22	XA9-1035-000		5	SCREW,M4X4		
501	XB1-2400-607		AR	SCREW,MACH.,TRUSS HEAD,M4X6		
502	XB1-2400-607		1	SCREW,MACH.,TRUSS HEAD,M4X6	120V PQS220/240V	
503	XB1-2403-009		2	SCREW,MACH.,TRUSS HEAD,M4X30		
504	XB6-7300-607		17	SCREW,TP,M3X6		

FIGURE 913 NOISE FILTER PCB ASSEMBLY



NOTE: This assembly is included in the assembly shown in Figure 110.

注：このユニットはFigure110のユニットに含まれます。

FIGURE & KEY NO.	PARTS NUMBER	RANK	QTY	DESCRIPTION	SERIAL NUMBER/REMARKS	S V C
Fig.913	FG3-0909-000		1	NOISE FILTER PCB ASSEMBLY	SEE NOTE100/120V	
Fig.913	FG3-0910-000		1	NOISE FILTER PCB ASSEMBLY	SEE NOTE220/240V	
1	FF3-2840-000		1	CABLE, NOISE FILTER	J1	
FU1101	VD7-0278-001		1	FUSE, 8A, 125V	100/120VFU1101	
FU2501	VD7-0645-001		1	FUSE, 250V, 5A	220/240VFU2501	
L1101	FH3-8086-000		1	COIL, SC	100/120V	
L2501	FH3-8086-000		1	COIL, SC	220/240V	

FIGURE 917
APC POWER SUPPLY PCB ASSEMBLY (120/220/240V)

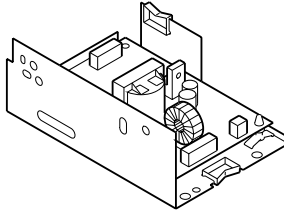


FIGURE & KEY NO.	PARTS NUMBER	RANK	QTY	DESCRIPTION	SERIAL NUMBER/REMARKS	SVC
Fig.917	FG5-9847-000		1	POWER SUPPLY UNIT-L1	120V	
Fig.917	FG5-9861-000		1	POWER SUPPLY UNIT-L1	220/240V	
C1803	FH3-0725-000		1	COIL, CHOKE		
FU1801	VD7-2861-002		1	FUSE, 125V, 10A		
FU1802	VD7-2861-001		1	FUSE, 60V, 1A		
T1801	FH3-0695-000		1	TRANSFORMER	120V	
T1801	FH3-0808-000		1	TRANSFORMER	220/240V	

FIGURE 920 CONTROL PANEL CPU PCB ASSEMBLY

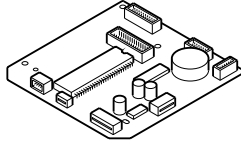


FIGURE & KEY NO.	PARTS NUMBER	RANK	QTY	DESCRIPTION	SERIAL NUMBER/REMARKS	SVC
Fig.920	FG6-4312-000		1	CONTROL PANEL CPU PCB ASSEMBLY		
Q919	FH4-3738-000		1	IC, MB89636RP-G-551-SH, MPU		

FIGURE 922 CONTROL PANEL KEY PCB ASSEMBLY

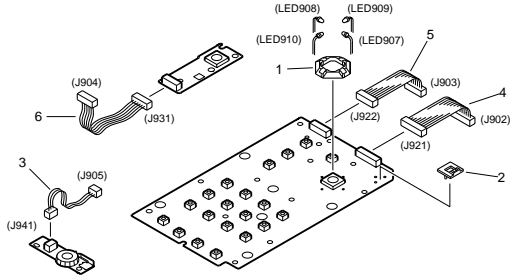


FIGURE & KEY NO.	PARTS NUMBER	RANK	QTY	DESCRIPTION	SERIAL NUMBER/REMARKS	SVC
Fig.922	FG6-4313-00U		1	RECONDITIONED PANEL,KEY PCB		
1	FB5-2195-000		1	HOLDER, LED		
2	FB5-3730-000		1	HOLDER, LED		
3	FG6-4316-000		1	CABLE, VARIABLE RESISTOR	J905,941	
4	FG6-4317-000		1	CABLE, CONTROL PANEL, 1	J902,921	
5	FG6-4318-000		1	CABLE, CONTROL PANEL, 2	J903,922	
6	FG6-4319-000		1	CABLE, C. PANEL MICROSWITCH	J904,931	
LED907	FH6-0768-000		1	LED UNIT		
LED908	FH6-0768-000		1	LED UNIT		
LED909	FH6-0767-000		1	LED UNIT		
LED910	FH6-0767-000		1	LED UNIT		
VR941	FH6-0745-000		1	RESISTOR, VARIABLE		

FIGURE 925 CONTROL PANEL INVERTER PCB ASSEMBLY

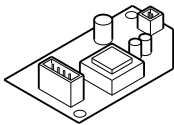
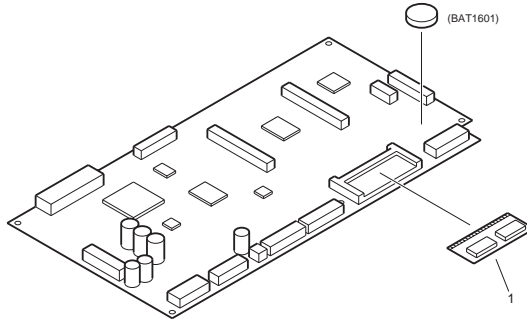


FIGURE & KEY NO.	PARTS NUMBER	RANK	Q'TY	DESCRIPTION	SERIAL NUMBER/REMARKS	SVC
Fig.925	FG5-5207-000		1	CONT. PANEL INVERTER PCB ASS'Y		
F1	VD5-0321-001		1	FUSE, 125V, 1A		
T1	FH3-0775-000		1	TRANSFORMER, INVERTER		

FIGURE 932 READER CONTROLLER PCB ASSEMBLY



NOTE: This assembly does not include the part shown with key No.1.
注：このユニットにKey No. 1の部品は含まれません。

FIGURE & KEY NO.	PARTS NUMBER	RANK	QTY	DESCRIPTION	SERIAL NUMBER/REMARKS	SVC
Fig.932	FG3-0834-000		1	READER CONTROLLER PCB ASSEMBLY		
1	FG3-0903-080		1	DIMM ASSY	SEE NOTEJAPANESE	
1	FG3-0849-080		1	DIMM ASSY	SEE NOTEITALIAN	
1	FG3-0850-080		1	DIMM ASSY	SEE NOTEENGLISH NQN	
1	FG3-0851-080		1	DIMM ASSY	SEE NOTEENGLISH PQS,PQE	
1	FG3-0852-080		1	DIMM ASSY	SEE NOTEENGLISH QQP	
1	FG3-0853-080		1	DIMM ASSY	SEE NOTEENGLISH RQB	
1	FG3-0900-080		1	DIMM ASSY	SEE NOTEFRENCH	
1	FG3-0901-080		1	DIMM ASSY	SEE NOTEGERMAN	
1	FG3-0902-080		1	DIMM ASSY	SEE NOTEILLUSTRATION	
BAT1601	WK1-5148-000		1	BATTERY,LITHIUM,CR2477-HE6H 3V		
FU1601	VD7-2862-001		1	FUSE, 2A, 60V		
FU1603	VD7-2861-001		1	FUSE, 60V, 1A		
IC1602	FH4-5950-000		1	IC, HG62G027S61F, GATE ARRAY		
IC1604	FH4-3702-000		1	IC, HD6432653BA12F, MPU		
IC1605	FH4-5560-020		1	IC, M38881M2-010GP, MCU		

FIGURE & KEY NO.	PARTS NUMBER	R A N K	Q'TY	DESCRIPTION	SERIAL NUMBER/ REMARKS	S V C
IC1608	FH4-5951-000		1	IC, UPD65625GB-Y04-9EU,G.ARRAY		
IC1609	FH4-5952-000		1	IC, UPD65636GB, GATE ARRAY		
IC1635	FH4-5851-000		1	IC, FH4-5851, HYBRID		

FIGURE 935 AP-IP PCB ASSEMBLY

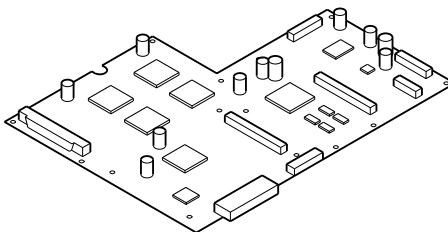


FIGURE & KEY NO.	PARTS NUMBER	RANK	Q'TY	DESCRIPTION	SERIAL NUMBER/REMARKS	SVC
Fig.935	FG3-0904-000		1	AP-IP PCB ASSEMBLY		
IC1	FH4-5947-000		1	IC, KZ3S113A21CFP, C-MOS		
IC6	FH4-5944-000		1	IC, KZ3S157311CFP, C-MOS		
IC27	FH4-5948-000		1	IC, KZ3S157321CFP, C-MOS		
IC34	FH4-5949-000		1	IC, HG73C031FD, C-MOS		
IC36	FH4-5942-000		1	IC, KZ3S113831CFP, C-MOS		
IC49	FH4-5943-000		1	IC, KZ3S157211CFP, C-MOS		
Q512	FH4-5551-020		1	IC, JSC05KR517FG40, GATE ARRAY		
Q513	FH4-5959-000		1	IC, LF9008, ASIC		

FIGURE 940 MAIN POWER SUPPLY PCB ASSEMBLY

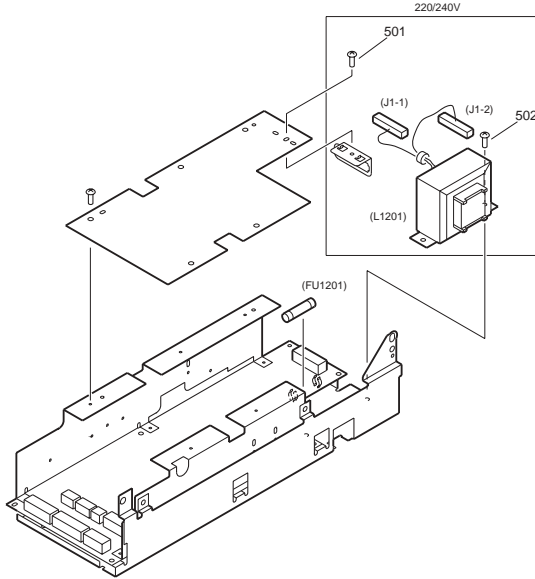


FIGURE & KEY NO.	PARTS NUMBER	RANK	QTY	DESCRIPTION	SERIAL NUMBER/REMARKS	SVC
Fig.940	FG5-9882-000		1	MAIN POWER SUPPLY PCB ASS'Y	100/120V	
Fig.940	FG5-9883-000		1	MAIN POWER SUPPLY PCB ASS'Y	220/240V	
501	XB2-4300-607		1	SCREW,W/WASHER,M3X6	220/240V	
502	XB2-7400-607		2	SCREW,W/WASHER,M4X6	220/240V	
CT1301	FH3-0665-000		1	TRANSFORMER	100/120V	
CT1301	FH3-0666-000		1	TRANSFORMER	220/240V	
FU1201	VD7-0211-002		1	FUSE 125V 10A, 737010	100/120V	
FU1201	VD7-0645-001		1	FUSE, 250V, 5A	220/240V	
FU1501	VD7-2861-001		1	FUSE, 60V, 1A		
FU1502	VD7-2864-000		1	FUSE, 0.4A, 125V		
FU1503	VD7-2864-000		1	FUSE, 0.4A, 125V		
FU1504	VD7-2864-000		1	FUSE, 0.4A, 125V		
FU1505	VD7-2861-001		1	FUSE, 60V, 1A		
FU1506	VD7-2862-001		1	FUSE, 2A, 60V		
FU1507	VD7-2864-000		1	FUSE, 0.4A, 125V		
FU1508	VD7-2867-001		1	FUSE, 7A 60V		

FIGURE & KEY NO.	PARTS NUMBER	R A N K	Q'TY	DESCRIPTION	SERIAL NUMBER/ REMARKS	S V C
FU1509	VD7-1626-300		1	FUSE, 60V, 630MA		
FU1511	VD7-2865-001		1	FUSE, 60V 5A		
FU1512	VD7-2862-001		1	FUSE, 2A, 60V		
FU1513	VD7-2865-001		1	FUSE, 60V 5A		
FU1514	VD7-2861-001		1	FUSE, 60V, 1A		
FU1515	VD7-1625-000		1	FUSE, 500MA 60V		
FU1516	VD7-1622-500		1	FUSE, 60V, 250MA		
FU1517	VD7-1622-500		1	FUSE, 60V, 250MA		
FU1518	VD7-2862-001		1	FUSE, 2A, 60V		
FU1519	VD7-2864-000		1	FUSE, 0.4A, 125V		
L1201	FH3-8083-000		1	COIL, CHOKE	220/240V	
L1202	RH6-3032-000		1	COIL, 1MH, 10A	100/120V	
L1202	FH6-3362-000		1	COIL, 8MH, 4A	220/240V	
L1203	RH6-3032-000		1	COIL, 1MH, 10A	100/120V	
L1203	FH6-3362-000		1	COIL, 8MH, 4A	220/240V	
L1301	FH3-8085-000		1	COIL, CHOKE		
Q1301	FH4-5991-000		1	IC, H8D2898, HYBRID		
T1201	FH3-0713-000		1	TRANSFORMER	100/120V	
T1201	FH3-0714-000		1	TRANSFORMER	220/240V	
T1301	FH3-8084-000		1	TRANSFORMER	100/120V	
T1301	FH3-0899-000		1	TRANSFORMER, CONVERTER	220/240V	

FIGURE 970 INVERTER PCB ASSEMBLY

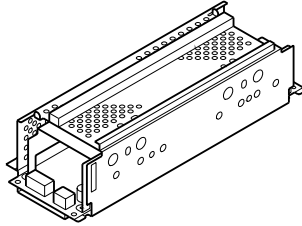


FIGURE & KEY NO.	PARTS NUMBER	RANK	QTY	DESCRIPTION	SERIAL NUMBER/REMARKS	S V C
Fig.970	FG5-9849-040		1	INVERTER PCB ASSEMBLY		
L1001	FH3-7203-000		1	INDUCTOR		
L1002	FH3-7202-010		1	INDUCTOR		
T1001	FH3-0879-010		1	TRANSFORMER		
T1002	FH3-0666-000		1	TRANSFORMER		
T1003	FH3-0881-000		1	TRANSFORMER		

FIGURE 975 ECO-C BOARD PCB ASSEMBLY

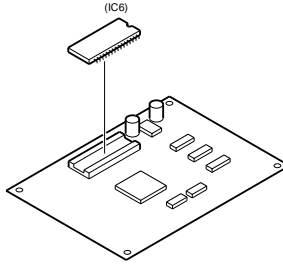


FIGURE & KEY NO.	PARTS NUMBER	RANK	Q'TY	DESCRIPTION	SERIAL NUMBER/REMARKS	SVC
Fig.975	FG3-0316-000		1	ECO-C BOARD PCB ASSEMBLY		
IC6	FH4-3788-000		1	IC, MSM27C401CZ-NRS, OTP-ROM		

FIGURE 995 READER-PRINTER INTERFACE PCB ASSEMBLY (FOR COLOR IMAGE READER-A1)

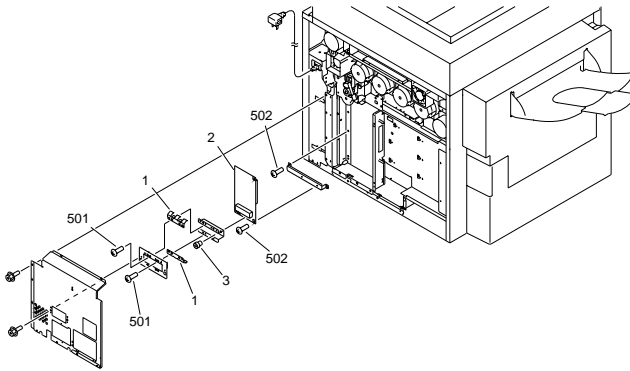
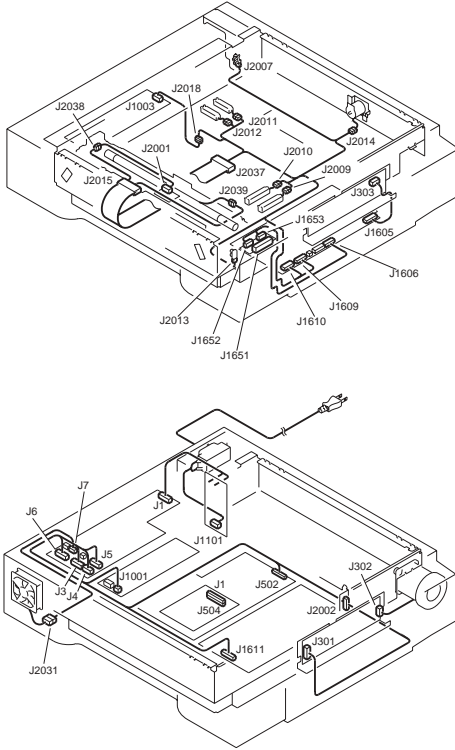


FIGURE & KEY NO.	PARTS NUMBER	RANK	QTY	DESCRIPTION	SERIAL NUMBER/REMARKS	SVC
Fig.995	FG6-4581-000		1	READER-PRINTER I/F PCB ASS'Y	FOR READER-A1	
1	FB5-2389-000		2	SPRING, LEAF		
2	FG3-0908-000		1	INTERFACE PCB ASSEMBLY		
3	WT2-5626-000		2	LOCK SCREW		
501	XB1-2300-607		4	SCREW,MACH.,TRUSS HEAD,M3X6		
502	XB1-2400-607		2	SCREW,MACH.,TRUSS HEAD,M4X6		

FIGURE B LIST OF CONNECTORS



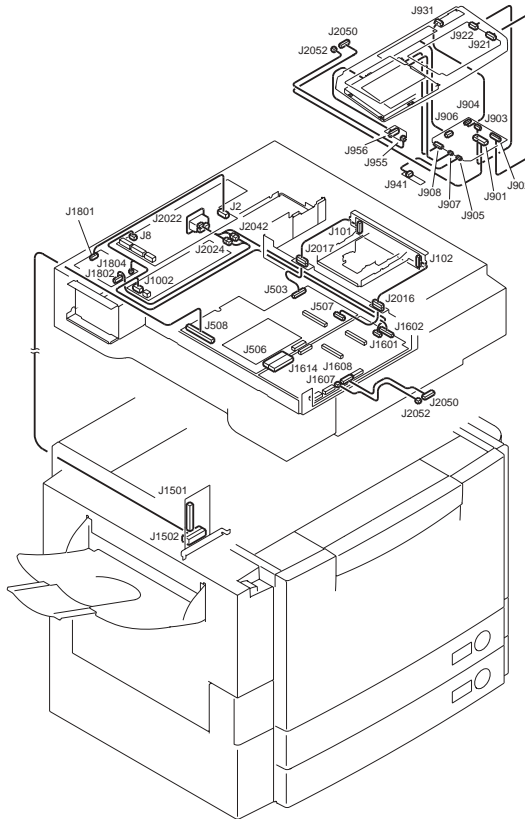


FIGURE & KEY NO.	PARTS NUMBER	RANK	QTY	DESCRIPTION	SERIAL NUMBER/REMARKS	SVC
Fig.B	NPN		RF	LIST OF CONNECTORS		
J1	PCB			DC POWER SUPPLY		
J1	PCB			NOISE FILTER		
J2	PCB			DC POWER SUPPLY		
J2	VS3-5083-005		1	CONNECTOR, 5P, FEMALE	120/220/240V	
J2	WS3-5160-000		2	SOCKET CONTACT, 18-24AWG	120/220/240V	
J3	PCB			DC POWER SUPPLY		
J3	VS3-5083-010		1	CONNECTOR, 10P, FEMALE		
J3	WS3-5160-000		7	SOCKET CONTACT, 18-24AWG		

FIGURE & KEY NO.	PARTS NUMBER	R A N K	Q'TY	DESCRIPTION	SERIAL NUMBER/ REMARKS	S V C
J4	PCB			DC POWER SUPPLY		
J4	VS3-5083-006		1	CONNECTOR, 6P, FEMALE		
J4	WS3-5160-000		6	SOCKET CONTACT, 18-24AWG		
J5	PCB			DC POWER SUPPLY		
J5	VS3-5083-008		1	CONNECTOR, 8P, FEMALE		
J5	WS3-5160-000		5	SOCKET CONTACT, 18-24AWG		
J6	PCB			DC POWER SUPPLY		
J6	VS3-5083-009		1	CONNECTOR, 9P, FEMALE		
J6	WS3-5160-000		8	SOCKET CONTACT, 18-24AWG		
J7	PCB			DC POWER SUPPLY		
J7	VS1-7178-005		1	CONNECTOR, 5P, FEMALE		
J8	PCB			DC POWER SUPPLY		
J8	VS1-7178-004		1	CONNECTOR, 4P, FEMALE		
J101	PCB			CCD DRIVER		
J101	VS1-7178-015		1	CONNECTOR, 15P, FEMALE		
J102	PCB			CCD DRIVER		
J102	VS1-7178-014		1	CONNECTOR, 14P, FEMALE		
J208	SYS			PRINTER		
J208	PCB			READER-PRINTER INTERFACE BOARD		
J301	PCB			SCANNER MOTOR DRIVER		
J301	VS3-5083-009		1	CONNECTOR, 9P, FEMALE		
J301	WS3-5160-000		9	SOCKET CONTACT, 18-24AWG		
J302	PCB			SCANNER MOTOR DRIVER		
J302	NPN			SCANNER MOTOR	PM1	
J303	PCB			SCANNER MOTOR DRIVER		
J303	VS1-7178-008		1	CONNECTOR, 8P, FEMALE		
J303	VS1-0852-008		1	CONNECTOR, 8P, FEMALE		
J303	VS9-5009-016		1	HOLDER, CONNECTOR, 16P		
J502	PCB			AP-IP		
J502	VS3-5083-008		1	CONNECTOR, 8P, FEMALE		
J502	WS3-5160-000		8	SOCKET CONTACT, 18-24AWG		
J503	PCB			AP-IP		

FIGURE & KEY NO.	PARTS NUMBER	R A N K	Q'TY	DESCRIPTION	SERIAL NUMBER/ REMARKS	S V C
J503	VS1-7178-015		1	CONNECTOR, 15P, FEMALE		
J506	PCB			READER CONTROLLER		
J506	PCB			AP-IP		
J507	PCB			AP-IP		
J507	VS1-0852-012		1	CONNECTOR, 12P, FEMALE		
J508	PCB			AP-IP		
J508	FG3-0907-000		1	INTERFACE CABLE		
J901	PCB			CONTROL PANEL CPU		
J901	VS1-6313-015		1	CONNECTOR, 15P, FEMALE		
J901	VS1-6314-015		1	CONNECTOR, 15P, FEMALE		
J901	VT2-5161-030		1	HOLDER, CONNECTOR, 30P		
J902	PCB			CONTROL PANEL CPU		
J902	VS1-6314-012		1	CONNECTOR, 12P, FEMALE		
J903	PCB			CONTROL PANEL CPU		
J903	VS1-6314-009		1	CONNECTOR, 9P, FEMALE		
J904	PCB			CONTROL PANEL CPU		
J904	VS1-7178-006		1	CONNECTOR, 6P, FEMALE		
J905	PCB			CONTROL PANEL CPU		
J905	VS1-7178-004		1	CONNECTOR, 4P, FEMALE		
J906	PCB			CONTROL PANEL CPU		
J906	PCB			LED		
J907	PCB			CONTROL PANEL CPU		
J907	NPN			ANALOG TOUCH PANEL		
J908	PCB			CONTROL PANEL CPU		
J908	NPN			LIQUID CRYSTAL PANEL		
J921	PCB			CONTROL PANEL KEY		
J921	VS1-6314-012		1	CONNECTOR, 12P, FEMALE		
J922	PCB			CONTROL PANEL KEY		
J922	VS1-6314-009		1	CONNECTOR, 9P, FEMALE		
J931	PCB			CONTROL PANEL KEY		
J931	VS1-6023-006		1	CONNECTOR, 6P, FEMALE		
J941	PCB			CONTROL PANEL KEY		

FIGURE & KEY NO.	PARTS NUMBER	RANK	Q'TY	DESCRIPTION	SERIAL NUMBER/REMARKS	SVC
J941	VS1-5976-004		1	CONNECTOR, 4P, MALE		
J955	PCB			CONTROL PANEL INVERTER		
J955	VS1-7178-002		1	CONNECTOR, 2P, FEMALE		
J956	PCB			CONTROL PANEL INVERTER		
J956	NPN			LIQUID CRYSTAL PANEL		
J1001	PCB			INVERTER		
J1001	VS3-5083-002		1	CONNECTOR, 2P, FEMALE		
J1001	WS3-5160-000		2	SOCKET CONTACT, 18-24AWG		
J1002	PCB			INVERTER		
J1002	VS1-7178-008		1	CONNECTOR, 8P, FEMALE		
J1003	PCB			INVERTER		
J1003	VS3-5083-005		1	CONNECTOR, 5P, FEMALE		
J1003	WS3-5160-000		4	SOCKET CONTACT, 18-24AWG		
J1101	PCB			NOISE FILTER		
J1101	VS3-5122-003		1	CONNECTOR, 3P, MALE		
J1101	WS3-5292-000		2	SOCKET CONTACT		
J1501	SYS			PRINTER	FOR READER-A1	
J1501	PCB			READER-PRINTER INTERFACE BOARD	FOR READER-A1	
J1502	PCB			READER-PRINTER INTERFACE BOARD	FOR READER-A1	
J1502	FG3-0907-000		1	INTERFACE CABLE	FOR READER-A1	
J1601	PCB			READER CONTROLLER		
J1601	VS1-5452-005		1	CONNECTOR, 5P, FEMALE		
J1602	PCB			READER CONTROLLER		
J1602	VS1-0842-013		1	CONNECTOR, 13P, FEMALE		
J1605	PCB			READER CONTROLLER		
J1605	VS1-7178-008		1	CONNECTOR, 8P, FEMALE		
J1605	VS1-0852-008		1	CONNECTOR, 8P, FEMALE		
J1605	VS9-5009-016		1	HOLDER, CONNECTOR, 16P		
J1606	PCB			READER CONTROLLER		
J1606	VS1-7178-011		1	CONNECTOR, 11P, FEMALE		
J1606	VS1-0852-011		1	CONNECTOR, 11P, FEMALE		
J1606	VS9-5009-022		1	HOLDER, CONNECTOR, 22P		

FIGURE & KEY NO.	PARTS NUMBER	RANK	Q'TY	DESCRIPTION	SERIAL NUMBER/REMARKS	SVC
J1607	PCB			READER CONTROLLER		
J1607	VS1-7178-002		1	CONNECTOR, 2P, FEMALE		
J1608	PCB			READER CONTROLLER		
J1608	VS1-6320-015		1	CONNECTOR, 15P, FEMALE		
J1608	VS1-6321-015		1	CONNECTOR, 15P, FEMALE		
J1608	VT2-5162-030		1	HOLDER, CONNECTOR, 30P		
J1609	PCB			READER CONTROLLER		
J1609	VS1-7178-012		1	CONNECTOR, 12P, FEMALE		
J1609	VS1-0852-012		1	CONNECTOR, 12P, FEMALE		
J1609	VS9-5009-024		1	HOLDER, CONNECTOR, 24P		
J1610	PCB			READER CONTROLLER		
J1610	FH2-6451-000		1	CABLE, FLUORESCENT		
J1611	PCB			READER CONTROLLER		
J1611	VS3-5083-007		1	CONNECTOR, 7P, FEMALE		
J1611	WS3-5160-000		7	SOCKET CONTACT, 18-24AWG		
J1614	PCB			READER CONTROLLER		
J1614	PCB			AP-IP		
J1651	PCB			CONNECTING		
J1651	VS1-6409-036		1	CONNECTOR, 64P		
J1652	PCB			CONNECTING		
J1652	VS1-7178-011		1	CONNECTOR, 11P, FEMALE		
J1652	VS1-7171-011		1	CONNECTOR, 11P		
J1653	PCB			CONNECTING		
J1653	VS1-7178-010		1	CONNECTOR, 10P, FEMALE		
J1653	VS1-5517-010		1	CONNECTOR, 10P, FEMALE		
J1801	PCB			APC POWER SUPPLY	120/220/240V	
J1801	VS3-5083-005		1	CONNECTOR, 5P, FEMALE	120/220/240V	
J1801	WS3-5160-000		2	SOCKET CONTACT, 18-24AWG	120/220/240V	
J1802	PCB			APC POWER SUPPLY	120/220/240V	
J1802	VS3-5083-006		1	CONNECTOR, 6P, FEMALE		
J1802	WS3-5160-000		4	SOCKET CONTACT, 18-24AWG		
J1804	PCB			APC POWER SUPPLY	120/220/240V	

FIGURE & KEY NO.	PARTS NUMBER	RANK	Q'TY	DESCRIPTION	SERIAL NUMBER/REMARKS	SVC
J1804	VS1-7178-002		1	CONNECTOR, 2P, FEMALE		
J2001	PCB			LAMP EXPOSURE SENSOR		
J2001	VS1-6302-003		1	CONNECTOR, 3P, FEMALE		
J2001	WS3-5569-000		3	SOCKET CONTACT, 22-28AWG		
J2002	VS1-5729-009		1	CONNECTOR, 9P, MALE		
J2002	VS3-5083-009		1	CONNECTOR, 9P, FEMALE		
J2002	WS3-5160-000		9	SOCKET CONTACT, 18-24AWG		
J2002	WS3-5301-000		9	PIN CONTACT		
J2007	NPN			COVER OPEN/CLOSE SENSOR	PS2	
J2007	VS1-7178-003		1	CONNECTOR, 3P, FEMALE		
J2009	NPN			DOCUMENT SIZE SENSOR 0	PS3	
J2009	VS1-7178-003		1	CONNECTOR, 3P, FEMALE		
J2009	VS1-7177-003		1	CONNECTOR, SNAP TIGHT		
J2010	NPN			DOCUMENT SIZE SENSOR 1	PS4	
J2010	VS1-7178-003		1	CONNECTOR, 3P, FEMALE		
J2010	VS1-7177-003		1	CONNECTOR, SNAP TIGHT		
J2011	NPN			DOCUMENT SIZE SENSOR 2	PS5	
J2011	VS1-7178-003		1	CONNECTOR, 3P, FEMALE		
J2011	VS1-7177-003		1	CONNECTOR, SNAP TIGHT		
J2012	NPN			DOCUMENT SIZE SENSOR 3	PS6	
J2012	VS1-7178-003		1	CONNECTOR, 3P, FEMALE		
J2012	VS1-7177-003		1	CONNECTOR, SNAP TIGHT		
J2013	NPN			HOME POSISION SENSOR	PS1	
J2013	VS1-7178-003		1	CONNECTOR, 3P, FEMALE		
J2014	NPN			KEY SWITCH	KSW1	
J2014	VS1-7178-002		1	CONNECTOR, 2P, FEMALE		
J2014	VS1-7177-002		1	CONNECTOR, SNAP TIGHT		
J2015	FH2-6452-020		1	CABLE, FLUORESCENT LAMP		
J2015	FG3-3275-020		1	CABLE, FLUORESCENT LAMP		
J2016	VS1-0842-013		1	CONNECTOR, 13P, FEMALE		
J2016	VS1-7177-013		1	CONNECTOR, SNAP TIGHT		
J2017	VS1-7178-015		2	CONNECTOR, 15P, FEMALE		

FIGURE & KEY NO.	PARTS NUMBER	RANK	Q'TY	DESCRIPTION	SERIAL NUMBER/REMARKS	SVC
J2017	VS1-5057-015		1	CONNECTOR, SNAP TIGHT	ACCESSORY	
J2018	FH2-6451-000		1	CABLE, FLUORESCENT		
J2018	VS1-5729-005		1	CONNECTOR, 5P, MALE		
J2018	WS3-5301-000		4	PIN CONTACT		
J2022	SYS			DF		
J2022	FK2-0247-000		1	CONNECTOR, FEMALE		
J2022	VS1-5452-007		1	CONNECTOR, 7P, FEMALE		
J2022	WS3-5596-000		3	PIN CONTACT, 18-24AWG		
J2024	VS4-0001-002		1	CONNECTOR, 2P, MALE		
J2024	VS4-0002-002		1	CONNECTOR, 2P, FEMALE		
J2024	WS4-0217-000		2	SOCKET CONTACT, 22-18AWG		
J2024	WS4-0219-000		2	PIN CONTACT, 18-22AWG		
J2031	NPN			POWER SUPPLY COOLING FAN		FM1
J2031	VS1-7178-003		1	CONNECTOR, 3P, FEMALE		
J2031	VS1-7177-003		1	CONNECTOR, SNAP TIGHT		
J2037	FH2-6451-000		1	CABLE, FLUORESCENT		
J2037	FH2-6452-020		1	CABLE, FLUORESCENT LAMP		
J2038	FG3-3275-020		1	CABLE, FLUORESCENT LAMP		
J2038	VS1-6304-003		1	CONNECTOR, 3P, MALE		
J2038	WS3-5571-000		3	PIN CONTACT, 22-28AWG		
J2039	NPN			FLUORESCENT HEATER	H1	
J2039	FG3-3275-020		1	CABLE, FLUORESCENT LAMP		
J2042	VS1-5452-002		1	CONNECTOR, 2P, FEMALE		
J2042	VS1-7507-002		1	CONNECTOR, SNAP TIGHT		
J2042	VS3-5080-002		1	CONNECTOR, 2P, MALE		
J2042	WT1-5155-000		2	TERMINAL		
J2050	VS1-6313-015		2	CONNECTOR, 15P, FEMALE		
J2050	VS1-6314-015		2	CONNECTOR, 15P, FEMALE		
J2050	VS1-6319-030		1	CONNECTOR, SNAP TIGHT		
J2050	VT2-5161-030		2	HOLDER, CONNECTOR, 30P		
J2052	VS1-7178-002		2	CONNECTOR, 2P, FEMALE		
J2052	VS1-7177-002		1	CONNECTOR, SNAP TIGHT		

Color imageRUNNER C2050/2020/ 2058 iR C2100/2100S/2105/ 2105S(Parts Catalog)

CP2120

100V 50/60HZ	F13-6011	LQC00001-
--------------	----------	-----------

iR C2100S

120V 60HZ	F13-6001	PQT00001-
-----------	----------	-----------

220V 50HZ	F13-6021	PQC00001-
-----------	----------	-----------

220V 50HZ	F13-6041	PQQ00001-
-----------	----------	-----------

240V 50HZ	F13-6051	QQQ00001-
-----------	----------	-----------

240V 50HZ	F13-6061	RQC00001-
-----------	----------	-----------

220V 50HZ	F13-6071	SQC00001-
-----------	----------	-----------

220V 50HZ	F13-6081	TCJ00001-
-----------	----------	-----------

220V 50HZ	F13-6091	UFE00001-
-----------	----------	-----------

CP2150

100V 50/60HZ	F13-6012	LQD00001-
--------------	----------	-----------

iR C2100

220V 50HZ	F13-6022	PQD00001-
-----------	----------	-----------

220V 50HZ	F13-6042	PQR00001-
-----------	----------	-----------

240V 50HZ	F13-6052	QQP00001-
-----------	----------	-----------

240V 50HZ	F13-6062	RQD00001-
-----------	----------	-----------

220V 50HZ	F13-6072	SQD00001-
-----------	----------	-----------

220V 50HZ	F13-6082	TCK00001-
-----------	----------	-----------

220V 50HZ	F13-6092	UFF00001-
-----------	----------	-----------

Color imageRUNNER C2020

120V 60HZ	F13-6031	NQP00001-
-----------	----------	-----------

Color imageRUNNER C2050

120V 60HZ	F13-6032	NQQ00001-
-----------	----------	-----------

CP2125

100V 50/60HZ	F14-3511	MJH00001-
--------------	----------	-----------

iR C2105S

220V 50HZ	F14-3581	TEK00001-
-----------	----------	-----------

220V 50HZ	F14-3591	UJE00001-
-----------	----------	-----------

CP2155

100V 50/60HZ	F14-3512	MJJ00001-
--------------	----------	-----------

iR C2105

120V 60HZ	F14-3502	MQG00001-
-----------	----------	-----------

220V 50HZ	F14-3522	RSG00001-
-----------	----------	-----------

220V 50HZ	F14-3542	RFE00001-
-----------	----------	-----------

240V 50HZ	F14-3552	QEY00001-
-----------	----------	-----------

240V 50HZ	F14-3562	RFF00001-
-----------	----------	-----------

220V 50HZ	F14-3572	SEC00001-
-----------	----------	-----------

220V 50HZ	F14-3582	TEL00001-
-----------	----------	-----------

220V 50HZ	F14-3592	UJF00001-
-----------	----------	-----------

Color imageRUNNER C2058

120V 60HZ F14-3532 MQF00001-

CP2150G

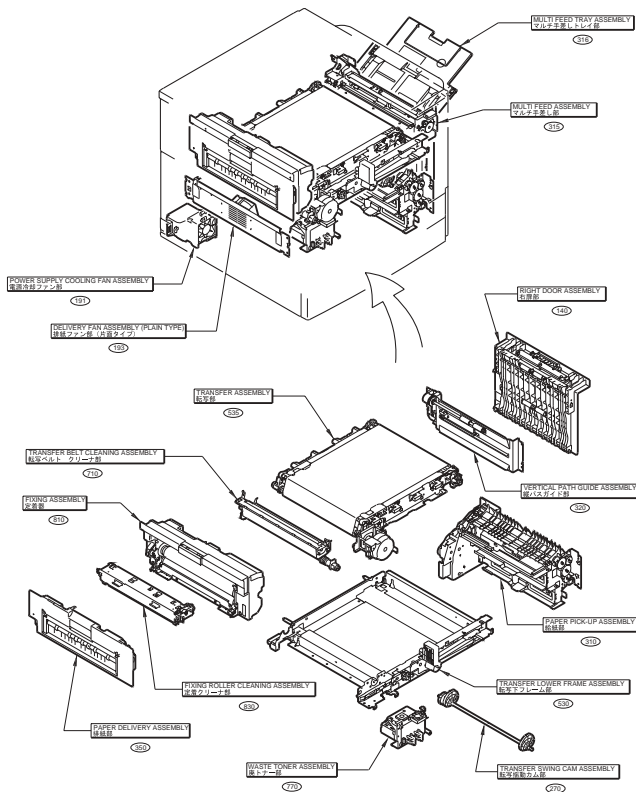
100V 50/60HZ F14-3611 MJK00001-

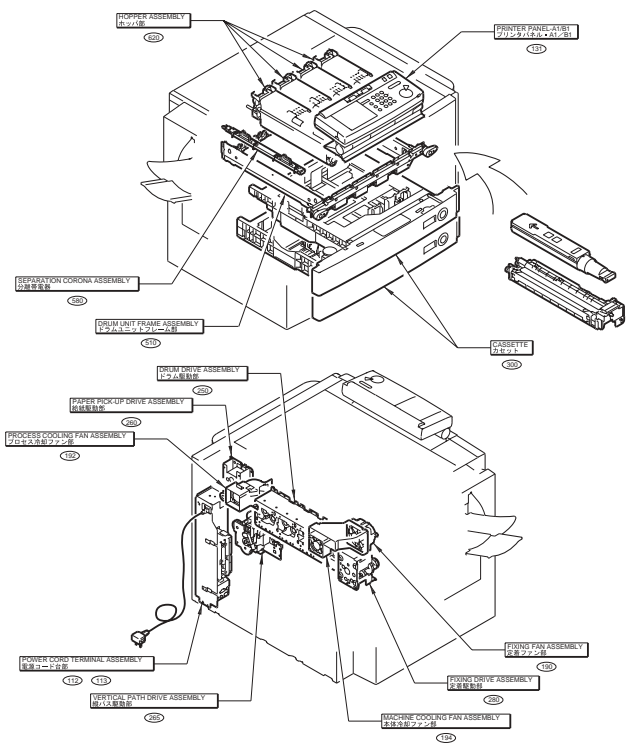
Contents

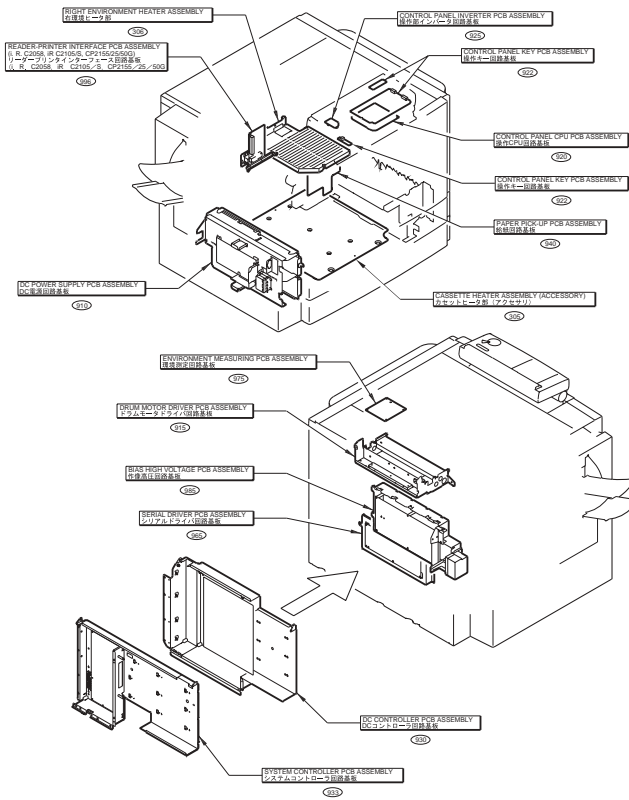
A	ASSEMBLY LOCATION DIAGRAM	3-1
002	ACCESSORIES/SPECIAL TOOLS.....	3-5
101	EXTERNAL COVERS, PANELS, ETC.	3-6
102	MACHINE FRONT PLATE.....	3-9
103	INTERNAL COMPONENTS 1	3-12
104	INTERNAL COMPONENTS 2	3-14
105	INTERNAL COMPONENTS 3	3-16
106	INTERNAL COMPONENTS 4	3-19
107	MACHINE REAR PLATE 1	3-22
108	MACHINE REAR PLATE 2	3-24
109	MACHINE BOTTOM PLATE.....	3-26
112	POWER CORD TERMINAL ASSEMBLY (100/120V).....	3-27
113	POWER CORD TERMINAL ASSEMBLY (220/240V).....	3-29
131	PRINTER PANEL-A1/B1	3-32
140	RIGHT DOOR ASSEMBLY.....	3-35
190	FIXING FAN ASSEMBLY	3-37
191	POWER SUPPLY COOLING FAN ASSEMBLY	3-38
192	PROCESS COOLING FAN ASSEMBLY	3-39
193	DELIVERY FAN ASSEMBLY (PLAIN TYPE)	3-40
194	MACHINE COOLING FAN ASSEMBLY	3-41
250	DRUM DRIVE ASSEMBLY	3-42
260	PAPER PICK-UP DRIVE ASSEMBLY	3-44
265	VERTICAL PATH DRIVE ASSEMBLY	3-45
267	DUPLEXING FEEDER DRIVE ASSEMBLY (DUPLEX TYPE)	3-47
270	TRANSFER SWING CAM ASSEMBLY	3-49
280	FIXING DRIVE ASSEMBLY.....	3-50
290	FACE DOWN OUTPUT UNIT DRIVE ASSEMBLY (DUPLEX TYPE)	3-52
300	CASSETTE	3-55
305	CASSETTE HEATER ASSEMBLY (ACCESSORY)	3-58
306	RIGHT ENVIRONMENT HEATER ASSEMBLY	3-59
310	PAPER PICK-UP ASSEMBLY	3-60
315	MULTI FEED ASSEMBLY	3-65
316	MULTI FEED TRAY ASSEMBLY.....	3-69
320	VERTICAL PATH GUIDE ASSEMBLY	3-71
350	PAPER DELIVERY ASSEMBLY.....	3-72
360	DUPLEX FEEDER ASSEMBLY (DUPLEX TYPE).....	3-75
365	FACE DOWN OUTPUT UNIT-A1/B1(DUPLEX TYPE).....	3-79
370	FACE DOWN OUTPUT ASSEMBLY 1 (DUPLEX TYPE).....	3-81
371	FACE DOWN OUTPUT ASSEMBLY 2 (DUPLEX TYPE).....	3-84
510	DRUM UNIT FRAME ASSEMBLY	3-86
530	TRANSFER LOWER FRAME ASSEMBLY.....	3-88
535	TRANSFER ASSEMBLY	3-90
580	SEPARATION CORONA ASSEMBLY.....	3-95
620	HOPPER ASSEMBLY	3-96
710	TRANSFER BELT CLEANING ASSEMBLY	3-99

770	WASTE TONER ASSEMBLY	3-101
810	FIXING ASSEMBLY	3-103
830	FIXING ROLLER CLEANING ASSEMBLY	3-108
910	DC POWER SUPPLY PCB ASSEMBLY	3-110
915	DRUM MOTOR DRIVER PCB ASSEMBLY	3-111
920	CONTROL PANEL CPU PCB ASSEMBLY	3-112
922	CONTROL PANEL KEY PCB ASSEMBLY	3-113
925	CONTROL PANEL INVERTER PCB ASSEMBLY	3-114
930	DC CONTROLLER PCB ASSEMBLY	3-115
933	SYSTEM CONTROLLER PCB ASSEMBLY	3-116
940	PAPER PICK-UP PCB ASSEMBLY	3-117
965	SERIAL DRIVER PCB ASSEMBLY	3-118
975	ENVIRONMENT MEASURING PCB ASSEMBLY	3-119
985	BIAS HIGH VOLTAGE PCB ASSEMBLY	3-120
996	READER-PRINTER INTERFACE PCB ASSEMBLY (i. R. C2058, iR C2105/S, CP2155/25/50G)	3-121
B	LIST OF CONNECTORS	3-122

FIGURE A ASSEMBLY LOCATION DIAGRAM







DUPLEX TYPE

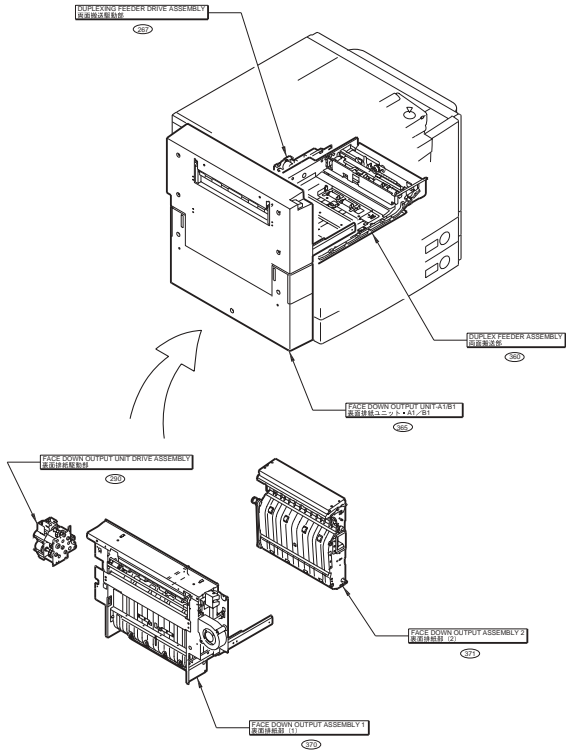


FIGURE 002 ACCESSORIES/SPECIAL TOOLS

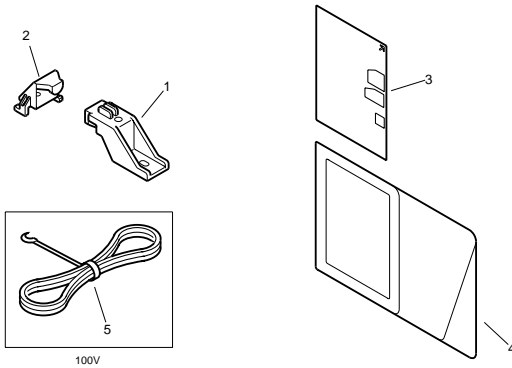


FIGURE & KEY NO.	PARTS NUMBER	R A N K	QTY	DESCRIPTION	SERIAL NUMBER/ REMARKS	S V C
Fig.002	NPN		RF	SPECIAL TOOLS		
1	FB5-3783-000		1	COVER, STOPPER, FRONT		
2	FB5-3784-000		1	COVER, STOPPER, REAR		
3	FB5-8623-000		1	SHEET, CASSETTE UNDER	A4 SIZE	
3	FB5-8624-000		1	SHEET, CASSETTE UNDER	A4R SIZE	
3	FB5-8625-000		1	SHEET, CASSETTE UNDER	A3 SIZE	
3	FB5-8626-000		1	SHEET, CASSETTE UNDER	A5R SIZE	
3	FB5-8627-000		1	SHEET, CASSETTE UNDER	B5 SIZE	
3	FB5-8628-000		1	SHEET, CASSETTE UNDER	B5R SIZE	
3	FB5-8629-000		1	SHEET, CASSETTE UNDER	B4 SIZE	
4	FF6-0991-000		1	CASE, CASSETTE UNDER SHEET		
5	FH2-5006-000		1	WIRE, GROUNDING	100V	

FIGURE 101 EXTERNAL COVERS, PANELS, ETC.

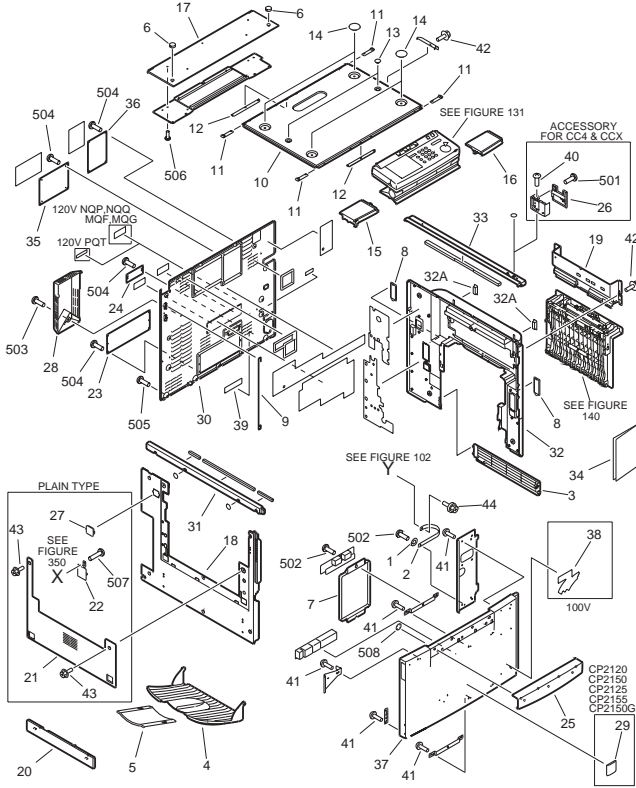


FIGURE & KEY NO.	PARTS NUMBER	RANK	QTY	DESCRIPTION	SERIAL NUMBER/REMARKS	SVC
Fig.101	NPN		RF	EXTERNAL COVERS, PANELS, ETC.		
1	FA2-7162-000		1	WASHER, PLAIN		
2	FA6-0745-000		1	TAPE, DOOR		
3	FB3-2259-000		1	COVER, LOWER, RIGHT		
4	FB3-3142-000		1	TRAY, DELIVERY PAPER, 1		
5	FB3-3143-020		1	TRAY, DELIVERY PAPER, 2		
6	FB3-6085-000		2	COVER, HOLE BLANKING		
7	FB3-7117-000		1	HOLDER, SERVICE RECORD		
8	FB4-7478-000		2	COVER, LATCH, RIGHT		
9	FB5-1428-000		1	ROD		
10	FB5-1522-000		1	PANEL, UPPER		

FIGURE & KEY NO.	PARTS NUMBER	R A N K	Q'TY	DESCRIPTION	SERIAL NUMBER/ REMARKS	S V C
11	FB5-1523-000		4	PLATE, SLIDER, EDGE		
12	FB5-1524-000		2	PLATE, SLIDER, CENTER		
13	FB5-1525-000		2	CAP, TOP PANEL, SMALL		
14	FB5-1526-000		4	CAP, TOP PANEL, LARGE		
15	FB5-1533-000		1	PANEL, UPPER, FRONT LEFT		
16	FB5-1534-000		1	PANEL, UPPER, FRONT RIGHT		
17	FB5-1536-000		1	PANEL, UPPER, REAR		
18	FB5-1540-000		1	PANEL, LEFT, LARGE		
19	FB5-1542-000		1	PANEL, MULTI PAPER PICK-UP		
20	FB5-1544-000		1	PANEL, PAPER DELIVERY, LOWER		
21	FB5-1546-000		1	PANEL, LEFT, SMALL	PLAIN TYPE	
22	FB5-1602-000		1	COVER, PAPER DELIVERY	PLAIN TYPE	
23	FB5-2357-000		1	PLATE, ROM COVER		
24	FB5-2358-000		1	PLATE, INTERFACE COVER		
25	FB5-2359-000		1	PANEL, FRONT, 2		
26	FB5-3765-000		1	COVER, MOUNT PLATE	ACCESSORYFOR CC4 & CCX	
27	FB5-3839-000		1	CAP, BLANKING	PLAIN TYPE	
28	FB5-3950-000		1	PANEL, EXHAUST		
29	FB5-8343-000		1	EMBLEM	CP2120	
29	FB5-8344-000		1	EMBLEM	CP2150	
29	FB6-4291-000		1	EMBLEM	CP2125	
29	FB6-4292-000		1	EMBLEM	CP2155	
29	FB6-4293-000		1	EMBLEM	CP2150G	
30	FF5-9373-000		1	PANEL, REAR		
31	FF5-9391-000		1	PANEL, UPPER, LEFT		
32	FF6-0628-000		1	PANEL, RIGHT		
32A	XZ9-0407-000		2	LATCH, MAGNET		
33	FF6-0632-000		1	PANEL, UPPER, RIGHT		
34	FF6-0805-000		1	LABEL, SERVICE		
35	FF6-0995-000		1	COVER, ASSIST		
36	FF6-0996-000		1	PLATE, ACCESSORY COVER		

FIGURE & KEY NO.	PARTS NUMBER	R A N K	Q'TY	DESCRIPTION	SERIAL NUMBER/ REMARKS	S V C
37	FG6-6793-000		1	FRONT PANEL UNIT	CP2120/2150/2125/2155/2150G	
37	FG6-4202-000		1	FRONT PANEL UNIT	imageRUNNER C2020	
37	FG6-4203-000		1	FRONT PANEL UNIT	imageRUNNER C2050	
37	FG6-4204-000		1	FRONT PANEL UNIT	iR C2100S	
37	FG6-4205-000		1	FRONT PANEL UNIT	iR C2100	
37	FG6-9308-000		1	FRONT PANEL UNIT	iR C2105S	
37	FG6-9309-000		1	FRONT PANEL UNIT	iR C2105	
37	FG6-9425-000		1	FRONT PANEL UNIT	imageRUNNER C2058	
38	FS6-8563-000		1	LABEL, BRUSH MARK	100V	
39	FS6-8901-000		1	LABEL, POWER SUPPLY CORD		
40	XA9-0265-010		1	SCREW,W/WASHER,TRUSS HEAD	ACCESSORYFOR CC4 & CCX	
41	XA9-0605-000		14	SCREW,M4X8		
42	XA9-0629-000		AR	SCREW,RS,M4X8		
43	XA9-0774-000		2	SCREW,RS,M4X16	PLAIN TYPE	
44	XA9-0783-000		1	SCREW,W/WASHER,RS,M4X12		
501	XB1-2400-607		3	SCREW,MACH.,TRUSS HEAD,M4X6	ACCESSORYFOR CC4 & CCX	
502	XB1-2400-609		3	SCREW,MACH.,TRUSS HEAD,M4X6		
503	XB1-2400-609		AR	SCREW,MACH.,TRUSS HEAD,M4X6		
504	XB2-7400-607		10	SCREW,W/WASHER,M4X6	imageRUNNER C2050imageRUNNER C2020iR C2100/2100SCP2150/2120/2150G	
504	XB2-7400-607		8	SCREW,W/WASHER,M4X6	imageRUNNER C2058iR C2105/2105SCP2155/2125	
505	XB2-7400-607		21	SCREW,W/WASHER,M4X6		
506	XB4-7300-609		5	SCREW,TAPPING,TRUSS HEAD,M3X6		
507	XB4-7401-009		1	SCREW,TAPPING,TRUSS HEAD,M4X10		
508	XD2-2300-802		7	RING,TOOTHED LOCK		
	FB5-1528-000		1	PLATE,STOPPER		

FIGURE & KEY NO.	PARTS NUMBER	R A N K	Q'TY	DESCRIPTION	SERIAL NUMBER/ REMARKS	S V C
7	FB5-2341-000		1	COVER, DRUM CARTRIDGE INTERNAL	imageRUNNER C2050imageRUNNER C2020iR C2100/ 2100SCP2150/2120	
7	FB6-4285-000		1	COVER, DRUM CARTRIDGE INTERNAL	imageRUNNER C2058iR C2105/2105SCP2155/ 2125/2150G	
8	FB5-2344-000		1	COVER, LOWER INTERNAL, LEFT		
9	FB5-2346-000		1	COVER, LOWER INTERNAL, RIGHT		
10	FB5-2352-000		2	HINGE, FRONT PANEL		
11	FB5-3924-000		1	RETAINER		
12	FB5-3933-000		2	ROLLER, FRAME LOCK		
13	FF3-1171-000		2	CABLE, GROUNDING		
14	FF5-9282-000		4	KNOB, DRUM CARTRIDGE		
15	FF6-0615-000		1	PANEL, KIT FRAME		
15A	FB5-3892-000		1	SPRING, GROUNDING		
16	FF6-0617-000		1	COVER, TRANSFER INTERNAL		
16A	FS6-8877-000		1	LABEL, LOWER FRAME LEVER		
17	FG3-0721-000		1	CABLE, FRONT DOOR SWITCH	SW3 J6512,6515	
18	FG5-6288-000		2	CASSETTE SIZE SENSOR PCB UNIT	S1,2 J1470-1,1470-2	
18A	FF3-1170-000		1	CABLE, C. SIZE SENSOR PCB	J1470-1,6552J1470- 2,6553	
19	FH2-6819-000		4	CONNECTOR, 21P, DRAWER	J6263-6266	
20	FS1-9010-020		1	SCREW, STEPPED, M3		
21	FS5-9397-000		2	PIN, PLATE HOLDER		
22	FS6-8874-000		1	LABEL, FRAME COLOR		
23	FS7-2276-000		4	SPRING, COMPRESSION		
24	FS7-2544-000		4	SPRING, TENSION		
25	FS7-2547-000		2	SPRING, COMPRESSION		
26	VS1-5452-010		4	CONNECTOR, 10P, FEMALE	J6263-6266	
27	VS1-5452-011		4	CONNECTOR, 11P, FEMALE	J6263-6266	
28	XA9-0626-000		4	SCREW,RS,M3X6		
29	XA9-0629-000		AR	SCREW,RS,M4X8		
30	XZ9-0585-000		1	MAGNET CATCH		
31	XZ9-0585-000		1	MAGNET CATCH		

FIGURE & KEY NO.	PARTS NUMBER	R A N K	Q'TY	DESCRIPTION	SERIAL NUMBER/ REMARKS	S V C
501	XB1-2300-609		2	SCREW,MACH.,TRUSS HEAD,M3X6		
502	XB1-2300-609		2	SCREW,MACH.,TRUSS HEAD,M3X6		
503	XD1-1104-125		8	SHIM		

FIGURE & KEY NO.	PARTS NUMBER	RANK	Q'TY	DESCRIPTION	SERIAL NUMBER/REMARKS	SVC
10	FB5-0947-000		4	SCREW, FOCUS ADJUSTMENT		
11	FB5-0948-000		4	BLOCK, STOPPER		
12	FB5-1515-000		4	PLATE, HOPPER SUPPORT, UPPER		
13	FB5-3776-000		4	SHAFT, STOPPER		
14	FB5-3818-000		4	BLOCK, SHUTTER SLIDER		
15	FB5-3857-000		4	BUSHING		
16	FB5-3941-00U		1	RECONDITIONED RETAINER,STOPPER		
17	FB5-3945-000		4	SCREW, FOCUS ADJUSTMENT		
18	FB5-8387-000		1	SPRING, GROUNDING		
19	FF5-9349-000		4	PLATE, STOPPER, REAR		
20	FF5-9350-000		4	CLEANING UNIT		
21	FF5-9351-000		4	ROD, CLEANING		
22	FF6-0804-000		4	PLATE, HOPPER SUPPORT, LOWER		
22A	FB5-8385-000		1	CAP, DUST-PROOF		
23	FF6-0984-000		1	SHEET	YELLOW	
23	FF6-0994-000		1	SHEET	MAGENTA/CYAN	
23	FF6-0796-000		1	SHEET	BLACK	
24	FG6-4174-000		1	CLEANING SOLENOID ASSEMBLY	SL4 J6517	
25	FH7-3383-000		3	LED EXPOSURE PCB ASSEMBLY	MAGENTA/CYAN/ BLACKJ3502-3504,6310-6312	
26	FH7-3384-000		1	LED EXPOSURE PCB ASSEMBLY	YELLOWJ3501,6309	
27	FS7-2294-000		4	SPRING, COMPRESSION		
28	VS1-6318-020		4	CONNECTOR, SNAP TIGHT	J6309-6312	
29	XA9-0629-000		AR	SCREW,RS,M4X8		
30	XA9-0629-000		1	SCREW,RS,M4X8		
501	XA1-1260-307		4	SCREW,MACH.,PAN HEAD,M2.6X3		
502	XB4-7300-809		3	SCREW,TAPPING,TRUSS HEAD,M3X8		
503	XD2-1100-402		4	RING,E		

FIGURE 104 INTERNAL COMPONENTS 2

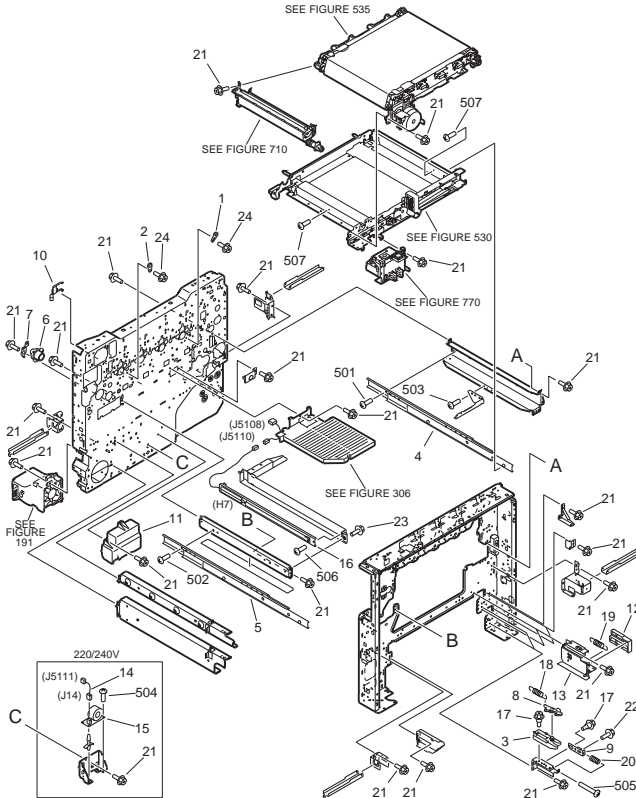


FIGURE & KEY NO.	PARTS NUMBER	RANK	QTY	DESCRIPTION	SERIAL NUMBER/REMARKS	SVC
Fig.104	NPN		RF	INTERNAL COMPONENTS 2		
1	FB2-3664-000		1	SUPPORT, PIN, 1		
2	FB2-3665-000		1	SUPPORT, PIN, 2		
3	FB3-2937-000		2	BLOCK, CASSETTE STOP		
4	FB5-1231-000		1	RAIL, TRANSFER ACCURATE		
5	FB5-1231-000		1	RAIL, TRANSFER ACCURATE		
6	FB5-1417-000		1	HOLDER, TRANSFER POSITIONING		
7	FB5-1418-000		1	SPRING, GROUNDING		
8	FB5-1471-000		2	LEVER, CASSETTE CLICK		
9	FB5-1473-000		2	PLATE, SIDE REGISTRATION		

FIGURE & KEY NO.	PARTS NUMBER	RANK	Q'TY	DESCRIPTION	SERIAL NUMBER/REMARKS	SVC
10	FB5-3842-000		1	SPRING, GROUNDING		
11	FB5-3897-000		1	COVER, POWER TRANSIT PCB		
12	FB5-3928-000		2	COVER, RIGHT RAIL		
13	FF5-9338-000		2	RAIL, CASSETTE, RIGHT		
14	FG3-0797-000		1	CABLE, POWER TRANSIT PCB	220/240VJ14,5111	
15	FG6-5869-000		1	POWER TRANSIT PCB ASSEMBLY	220/240V	
16	FH7-4647-000		1	HEATER, STICK	100VH7 J5110	
16	FH7-4658-000		1	HEATER, STICK	120VH7 J5110	
16	FH7-4649-000		1	HEATER, STICK	220/240VH7 J5110	
17	FS5-9608-000		6	SCREW,RS STEPPED,M4.1		
18	FS7-2287-000		2	SPRING, TENSION		
19	FS7-2288-000		2	SPRING, TENSION		
20	FS7-2305-000		2	SPRING, COMPRESSION		
21	XA9-0629-000		AR	SCREW,RS,M4X8		
22	XA9-0629-000		2	SCREW,RS,M4X8		
23	XA9-0629-000		1	SCREW,RS,M4X8		
24	XA9-0629-000		3	SCREW,RS,M4X8		
501	XB1-2400-407		2	SCREW,MACH.,TRUSS HEAD,M4X4		
502	XB1-2400-407		2	SCREW,MACH.,TRUSS HEAD,M4X4		
503	XB1-2400-609		2	SCREW,MACH.,TRUSS HEAD,M4X6		
504	XB1-2400-609		2	SCREW,MACH.,TRUSS HEAD,M4X6	220/240V	
505	XB1-2402-009		2	SCREW,MACH.,TRUSS HEAD,M4X20		
506	XB4-7400-809		1	SCREW,TAPPING,TRUSS HEAD,M4X8		
507	XB6-7400-505		10	SCREW,TP,M4X5		

FIGURE 105 INTERNAL COMPONENTS 3

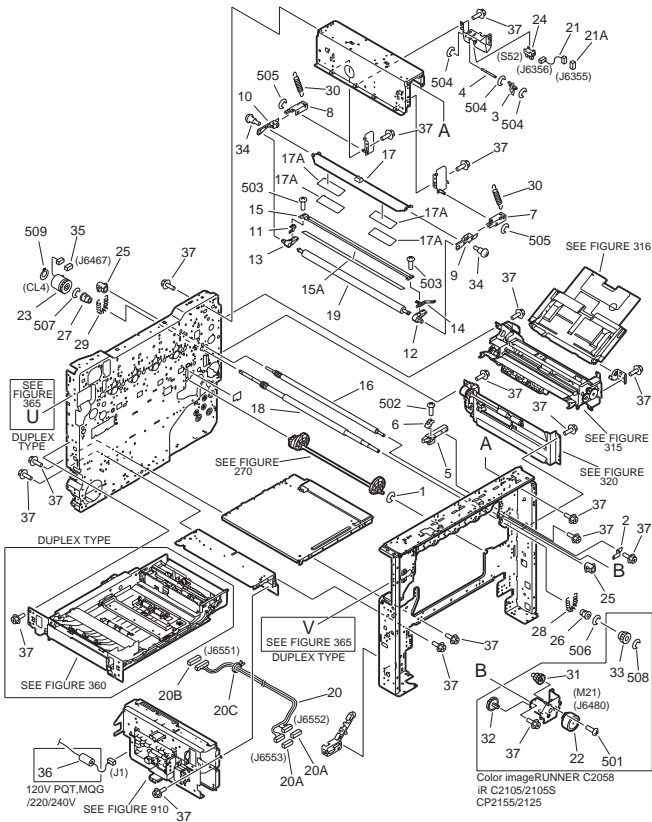


FIGURE & KEY NO.	PARTS NUMBER	RANK	QTY	DESCRIPTION	SERIAL NUMBER/REMARKS	SVC
Fig.105	NPN		RF	INTERNAL COMPONENTS 3		
1	FA4-1159-000		1	RING, RETAINING		
2	FB5-1033-000		1	PLATE, REGIST. GROUNDING		
3	FB5-1036-000		1	FLAG, REGIST. REAR SENSOR		
4	FB5-1038-000		1	SHAFT, REGIST. REAR SENSOR		
5	FB5-1255-000		1	BLOCK, END LIMIT, FRONT		
6	FB5-1257-000		1	BLOCK, THRUST LIMIT		
7	FB5-1259-000		1	PLATE, FEED AUX. ROLLER, FRONT		

FIGURE & KEY NO.	PARTS NUMBER	R A N K	Q'TY	DESCRIPTION	SERIAL NUMBER/ REMARKS	S V C
8	FB5-1260-000		1	PLATE, FEED AUX. ROLLER, REAR		
9	FB5-1261-000		1	ARM, SEPARATION, FRONT		
10	FB5-1262-000		1	ARM, SEPARATION, REAR		
11	FB5-1278-000		1	BRUSH, STATIC CHARGE ELIMINATE		
12	FB5-1467-000		1	HOLDER, SEP. UP. ROLLER, FRONT		
13	FB5-1468-000		1	HOLDER, SEP. UP. ROLLER, REAR		
14	FB5-1469-000		1	SPRING, GROUNDING		
15	FF5-9244-000		1	PLATE, FEED AUX.ROLLER SCRAPER		
15A	FB5-1465-000		1	SHEET, SCRAPER		
16	FF5-9254-000		1	ROLLER, REGISTRATION, 2		
17	FF6-0799-000		1	GUIDE, PAPER TRANSFER INLET		
17A	FB5-3952-000		4	SHEET, PAPER GUIDE		
18	FF6-2236-000		1	ROLLER, REGISTRATION, 1	imageRUNNER C2050imageRUNNER C2020iR C2100/ 2100SCP2150/2120/ 2150G	
18	FF6-2236-000		1	ROLLER, REGISTRATION, 1	imageRUNNER C2058iR C2105/2105SCP2155/ 2125	
19	FF6-0989-000		1	ROLLER, SEPARATION, UPPER		
20	FG3-0720-000		1	CABLE, P. SUPPLY REVERSE SIDE	J6551-6553	
20A	VS1-7440-006		2	CONNECTOR, SNAP TIGHT	J6552,6553	
20B	VS1-7173-012		1	CONNECTOR, SNAP TIGHT	J6551	
20C	WT2-5178-000		1	CLIP, CABLE		
21	FG3-0729-000		1	CABLE, REGIST. REAR SENSOR	J6355,6356	
21A	VS1-7177-003		1	CONNECTOR, SNAP TIGHT	J6355	
22	FH6-1970-000		1	MOTOR, STEPPING	imageRUNNER C2058iR C2105/2105SCP2155/ 2125M21 J6480	
23	FH6-5068-000		1	CLUTCH, ELECTROMAGNETIC	CL4 J6467	
24	WG8-5708-000		1	PHOTO-INTERRUPTER	S52 J6356	
25	FS1-1595-000		2	BUSHING		
26	FS5-1466-000		1	BUSHING		
27	FS5-1466-000		1	BUSHING		
28	FS7-2263-000		1	SPRING, TENSION		

FIGURE & KEY NO.	PARTS NUMBER	RANK	Q'TY	DESCRIPTION	SERIAL NUMBER/REMARKS	SVC
29	FS7-2264-000		1	SPRING, TENSION		
30	FS7-2283-000		2	SPRING, TENSION		
31	FU3-0388-000		1	GEAR, 20T/45T	imageRUNNER C2058iR C2105/2105SCP2155/ 2125	
32	FU3-0389-000		1	GEAR, 37T	imageRUNNER C2058iR C2105/2105SCP2155/ 2125	
33	FU3-0390-00U		1	GEAR, 22T, RECONDITIONED	imageRUNNER C2058iR C2105/2105SCP2155/ 2125	
34	RS5-9057-000		2	SCREW, STEPPED, M3X8		
35	VS1-7177-002		1	CONNECTOR, SNAP TIGHT	J6467	
36	WE8-5648-000		1	CORE, SLEEVE FERRITE	120V PQT,MQG220/240V	
37	XA9-0629-000		AR	SCREW,RS,M4X8		
501	XB1-1300-407		2	SCREW,MACH.,PAN HEAD,M3X4	imageRUNNER C2058iR C2105/2105SCP2155/ 2125	
502	XB1-2300-609		1	SCREW,MACH.,TRUSS HEAD,M3X6		
503	XB4-7300-809		2	SCREW,TAPPING,TRUSS HEAD,M3X8		
504	XD2-1100-242		3	RING,E		
505	XD2-1100-502		2	RING,E		
506	XD2-1100-642		1	RING,E		
507	XD2-1100-642		1	RING,E	imageRUNNER C2050imageRUNNER C2020iR C2100/ 2100SCP2150/2120/ 2150G	
508	XD2-1100-642		2	RING,E	imageRUNNER C2058iR C2105/2105SCP2155/ 2125	
509	XD2-2100-802		1	RING,GRIP		

FIGURE 106 INTERNAL COMPONENTS 4

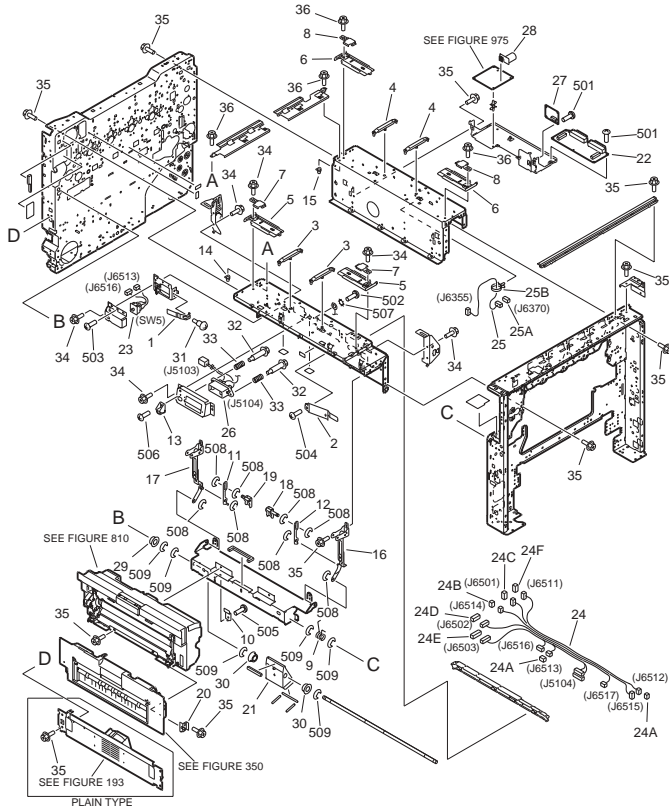


FIGURE & KEY NO.	PARTS NUMBER	RANK	QTY	DESCRIPTION	SERIAL NUMBER/REMARKS	SVC
Fig.106	NPN		RF	INTERNAL COMPONENTS 4		
1	FB5-1097-020		1	SPRING, LEAF		
2	FB5-1374-000		1	SPRING, LEAF		
3	FB5-1497-000		2	PLATE, UPPER PANEL AUXILIARY		
4	FB5-1497-000		2	PLATE, UPPER PANEL AUXILIARY		
5	FB5-1498-000		2	MOUNT, GROUNDING PLATE		
6	FB5-1498-000		2	MOUNT, GROUNDING PLATE		
7	FB5-1514-000		2	PLATE, GROUNDING		
8	FB5-1514-000		2	PLATE, GROUNDING		
9	FB5-1574-000		1	SPRING, TORSION		

FIGURE & KEY NO.	PARTS NUMBER	R A N K	Q'TY	DESCRIPTION	SERIAL NUMBER/ REMARKS	S V C
10	FB5-1575-000		1	SPRING, LEAF		
11	FB5-1576-000		1	LINK, PRESSURE RELEASE, REAR		
12	FB5-1577-000		1	LINK, PRESSURE RELEASE, FRONT		
13	FB5-1584-000		1	BLOCK, FIXING CONNECTOR SLEEVE		
14	FB5-8385-000		1	CAP, DUST-PROOF		
15	FB5-8385-000		1	CAP, DUST-PROOF		
16	FF5-9291-00U		1	RECONDITIONED, LINK FRONT		
17	FF5-9292-000		1	LINK, FIXING SUPPORT, REAR		
18	FF5-9293-000		1	PIN, PRESS. RELEASE SUPPORT, F		
19	FF5-9294-000		1	PIN, PRESS. RELEASE SUPPORT, R		
20	FF5-9310-000		1	PIN, DELIVERY POSITIONING, F		
21	FF5-9374-000		1	DUCT, CONNECTING		
22	FG3-0663-000		1	BICENTRO INTERFACE PCB ASS'Y		
23	FG3-0718-020		1	CABLE, FIXING DOOR SWITCH	SW5 J6513,6516	
24	FG3-0719-000		1	CABLE, LEFT UPPER	J5104,6501-6503,J6511-6517	
24A	VS1-7177-002		1	CONNECTOR, SNAP TIGHT	J6512,6513	
24B	VS1-7177-003		1	CONNECTOR, SNAP TIGHT	J6514	
24C	VS1-5820-003		1	CONNECTOR, SNAP TIGHT	J6501	
24D	VS1-7507-006		1	CONNECTOR, SNAP TIGHT	J6502	
24E	VS1-5820-009		1	CONNECTOR, SNAP TIGHT	J6503	
24F	VS1-6318-006		1	CONNECTOR, SNAP TIGHT	J6511	
25	FG3-0741-000		1	CABLE, REGIST.R.SENSOR CONNECT	J6355,6370	
25A	VS1-7177-003		1	CONNECTOR, SNAP TIGHT	J6370	
25B	WT2-5178-000		1	CLIP, CABLE		
26	FG3-0770-000		1	CABLE, FIXING DRAWER	J5103,5104	
27	FG6-4277-000		1	ECO-IDENTITY PCB ASSEMBLY		
28	FH4-5121-000		1	SENSOR, RHV-135		
29	FS1-1156-000		1	BUSHING		
30	FS1-1449-000		2	BUSHING		
31	FS1-9010-020		1	SCREW, STEPPED, M3		
32	FS5-9282-020		2	SCREW, STEPPED		

FIGURE & KEY NO.	PARTS NUMBER	R A N K	Q'TY	DESCRIPTION	SERIAL NUMBER/ REMARKS	S V C
33	FS7-2303-000		2	SPRING, COMPRESSION		
34	XA9-0629-000		7	SCREW,RS,M4X8		
35	XA9-0629-000		AR	SCREW,RS,M4X8		
36	XA9-0629-000		2	SCREW,RS,M4X8		
501	XB1-2400-606		6	SCREW,MACH.,TRUSS HEAD,M4X6		
502	XB1-2400-607		1	SCREW,MACH.,TRUSS HEAD,M4X6		
503	XB1-2400-609		1	SCREW,MACH.,TRUSS HEAD,M4X6		
504	XB1-2400-609		1	SCREW,MACH.,TRUSS HEAD,M4X6		
505	XB1-2400-609		1	SCREW,MACH.,TRUSS HEAD,M4X6		
506	XB1-2400-609		1	SCREW,MACH.,TRUSS HEAD,M4X6		
507	XD1-4200-402		1	WASHER,TOOTHED LOCK		
508	XD2-1100-502		8	RING,E		
509	XD2-1100-642		5	RING,E		

FIGURE & KEY NO.	PARTS NUMBER	R A N K	Q'TY	DESCRIPTION	SERIAL NUMBER/ REMARKS	S V C
7A	VS1-7177-002		1	CONNECTOR, SNAP TIGHT	J6317	
7B	VS1-5820-005		1	CONNECTOR, SNAP TIGHT	J6316	
8	FG3-0749-000		1	CABLE, CASSETTE HEATER CONNECT	J5106,5109	
9	FG6-7789-000		1	DRUM MOTOR UNIT	M3 J6401,6402M4 J6403,6404M5 J6405,6406M6 J6407,6408	
10	FH2-6552-000		2	COVER, CONNECTOR		
11	FH6-1694-000		2	MOTOR, DC38V	M2 J6152,6461M16 J6153,6518	
12	WG8-5708-000		2	PHOTO-INTERRUPTER	S49,50 J6463,6464	
13	FS5-9282-020		2	SCREW, STEPPED		
14	FS7-2278-000		2	SPRING, COMPRESSION		
15	VS1-7177-003		1	CONNECTOR, SNAP TIGHT	J6525	
16	VS1-7507-007		1	CONNECTOR, SNAP TIGHT	J6318	
17	VS1-6313-016		1	CONNECTOR, 16P, FEMALE	J6409	
18	VS1-6314-016		1	CONNECTOR, 16P, FEMALE	J6409	
19	VS1-6328-032		1	CONNECTOR, 32P, FEMALE	J6409	
20	VT2-5161-032		1	HOLDER, CONNECTOR, 32P		
21	WS3-5607-000		4	SOCKET CONTACT, 20-24AWG	J6409	
22	XA9-0265-010		1	SCREW,W/WASHER,TRUSS HEAD		
23	XA9-0265-010		1	SCREW,W/WASHER,TRUSS HEAD		
24	XA9-0265-010		1	SCREW,W/WASHER,TRUSS HEAD		
25	XA9-0629-000		AR	SCREW,RS,M4X8		
26	XA9-0629-000		8	SCREW,RS,M4X8		
27	XF2-3312-660		1	BELT, TIMMING		
501	XB1-2300-607		2	SCREW,MACH.,TRUSS HEAD,M3X6		
502	XB1-2300-607		2	SCREW,MACH.,TRUSS HEAD,M3X6		
503	XB1-2400-607		1	SCREW,MACH.,TRUSS HEAD,M4X6		
504	XD1-1104-132		2	SHIM		

FIGURE 108 MACHINE REAR PLATE 2

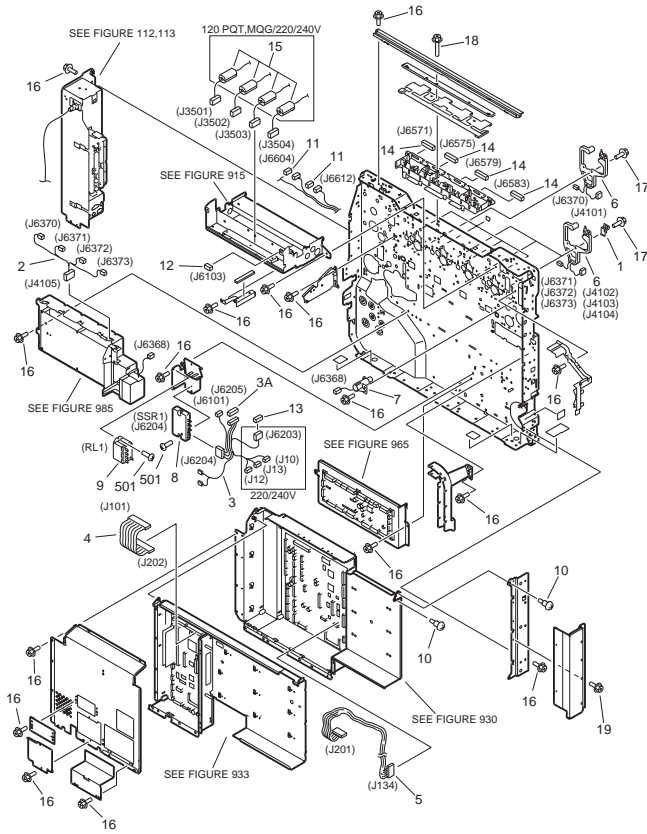


FIGURE & KEY NO.	PARTS NUMBER	RANK	QTY	DESCRIPTION	SERIAL NUMBER/REMARKS	SVC
Fig.108	NPN		RF	MACHINE REAR PLATE 2		
1	FB5-8386-000		3	SRRING, GROUNDING		
2	FG3-0744-000		1	CABLE, LED EXPOSURE-H. VOLTAGE	J4105,6370-6373	
3	FG3-0748-000		1	CABLE, SSR/AC RELAY	100/ 120VJ6101,6204,6205	
3	FG3-0746-000		1	CABLE, SSR/AC RELAY	220/240V J10,12,13,J6101,6203-6205	
3A	VS1-7177-007		1	CONNECTOR, SNAP TIGHT	J6205	
4	FH2-6779-000		1	CABLE, FLAT, 1	J134,201	
5	FH2-6780-000		1	CABLE, FLAT, 2	J101,202	

FIGURE & KEY NO.	PARTS NUMBER	R A N K	Q'TY	DESCRIPTION	SERIAL NUMBER/ REMARKS	S V C
6	FH2-9237-000		4	CONNECTOR, DRUM KIT H. V. T.	J4101-4104,6370-6373	
7	FH2-9241-000		1	CONNECTOR, SEPARATION H. V. T.	J6368	
8	FH4-6056-000		1	SSR	100/120VSSR1 J6204	
8	FH4-6137-000		1	SSR	220/240VSSR1 J6204	
9	FH7-6307-000		1	RELAY	RL1	
10	FS1-9076-020		2	SCREW, STEPPED, M4		
11	VS1-7177-002		2	CONNECTOR, SNAP TIGHT	J6604,6612	
12	VS1-7177-003		1	CONNECTOR, SNAP TIGHT	J6103	
13	VS1-6318-006		1	CONNECTOR, SNAP TIGHT	J6203	
14	VS1-6318-011		4	CONNECTOR, SNAP TIGHT	J6571,6575,6579,6583	
15	WE8-5741-000		4	CORE, FERRITE	120V PQT, MQG220/240V	
16	XA9-0629-000		AR	SCREW, RS, M4X8		
17	XA9-0629-000		12	SCREW, RS, M4X8		
18	XA9-0632-000		3	SCREW, RS, M4X26		
19	XA9-0864-000		4	SCREW, RS, M4X6		
501	XB1-2400-809		4	SCREW, MACH., TRUSS HEAD, M4X8		

FIGURE 109 MACHINE BOTTOM PLATE

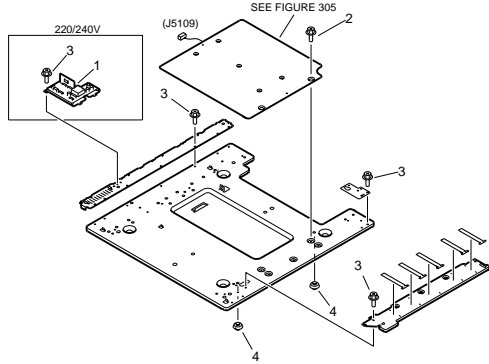


FIGURE & KEY NO.	PARTS NUMBER	RANK	QTY	DESCRIPTION	SERIAL NUMBER/REMARKS	SVC
Fig.109	NPN		RF	MACHINE BOTTOM PLATE		
1	FG6-4223-000		1	SWITCH CUT PCB ASSEMBLY	220/240V	
2	XA9-0629-000		2	SCREW,RS,M4X8		
3	XA9-0629-000	AR		SCREW,RS,M4X8		
4	XH9-0059-000		2	FOOT, RUBBER		

FIGURE 112 POWER CORD TERMINAL ASSEMBLY (100/120V)

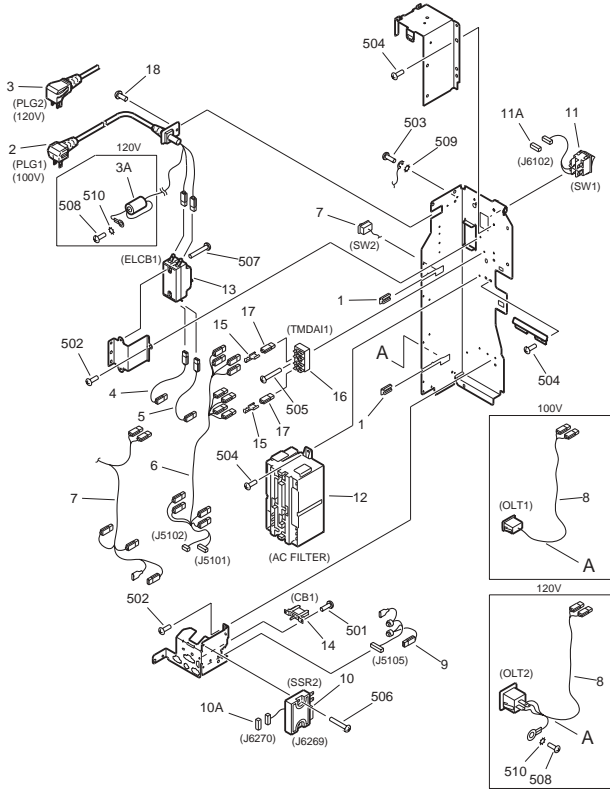


FIGURE & KEY NO.	PARTS NUMBER	RANK	QTY	DESCRIPTION	SERIAL NUMBER/REMARKS	SVC
Fig.112	FG6-4123-000		1	POWER CORD TERMINAL ASSEMBLY	100V	
Fig.112	FG6-4273-000		1	POWER CORD TERMINAL ASSEMBLY	120V	
1	FB5-3760-000		2	COVER, GAP		
2	FF3-3827-000		1	CORD, POWER	100VPLG1	
3	FF3-3828-000		1	CORD, POWER	120VPLG2	
3A	WE8-5717-000		1	CORE, FERRITE	120V	
4	FG3-0704-000		1	CABLE, AC, 1		
5	FG3-0705-000		1	CABLE, AC, 2		
6	FG3-0706-000		1	CABLE, POWER CORD TERMINAL	J5101,5102	
7	FG3-0707-000		1	CABLE, ENVIRONMENT SWITCH	SW2	
8	FG3-0708-000		1	CABLE, OUTLET	100VOLT1	

FIGURE & KEY NO.	PARTS NUMBER	RANK	Q'TY	DESCRIPTION	SERIAL NUMBER/REMARKS	SVC
8	FG3-0766-000		1	CABLE, OUTLET	120VOLT2	
9	FG3-0709-000		1	CABLE, HEATER CONNECT	J5105	
10	FG3-0710-000		1	CABLE, SSR	SSR2 J6269,6270	
10A	VS1-7177-003		1	CONNECTOR, SNAP TIGHT	J6270	
11	FG3-0711-000		1	CABLE, MAIN SWITCH SHUT OFF	SW1 J6102	
11A	VS1-7177-003		1	CONNECTOR, SNAP TIGHT	J6102	
12	FG6-4124-000		1	NOISE FILTER PCB ASSEMBLY	AC FILTER	
13	FH7-6310-000		1	BREAKER, ELECTRIC LEAKAGE	ELCB1	
14	WD3-5072-000		1	BREAKER, CIRCUIT	CB1	
15	WT1-0017-000		2	SOCKET, FASTEN 250, 16-20AWG		
16	WT1-5020-000		1	MOUNT, TERMINAL	TMDA11	
17	WT2-5436-000		2	SLEEVE, ONE TOUCH		
18	XA9-0739-000		1	SCREW,TP,M4X8		
501	XB1-2300-609		2	SCREW,MACH.,TRUSS HEAD,M3X6		
502	XB1-2400-407		4	SCREW,MACH.,TRUSS HEAD,M4X4		
503	XB1-2400-603		1	SCREW,MACH.,TRUSS HEAD,M4X6		
504	XB1-2400-609		8	SCREW,MACH.,TRUSS HEAD,M4X6		
505	XB1-2401-009		1	SCREW,MACH.,TRUSS HEAD,M4X10		
506	XB1-2401-209		2	SCREW,MACH.,TRUSS HEAD,M4X12		
507	XB1-2402-009		2	SCREW,MACH.,TRUSS HEAD,M4X20		
508	XB1-2500-603		2	SCREW,MACH.,TRUSS HEAD,M5X6	120V	
509	XD1-4200-402		1	WASHER,TOOTHED LOCK		
510	XD1-4200-502		2	WASHER,TOOTHED LOCK	120V	

FIGURE 113 POWER CORD TERMINAL ASSEMBLY (220/240V)

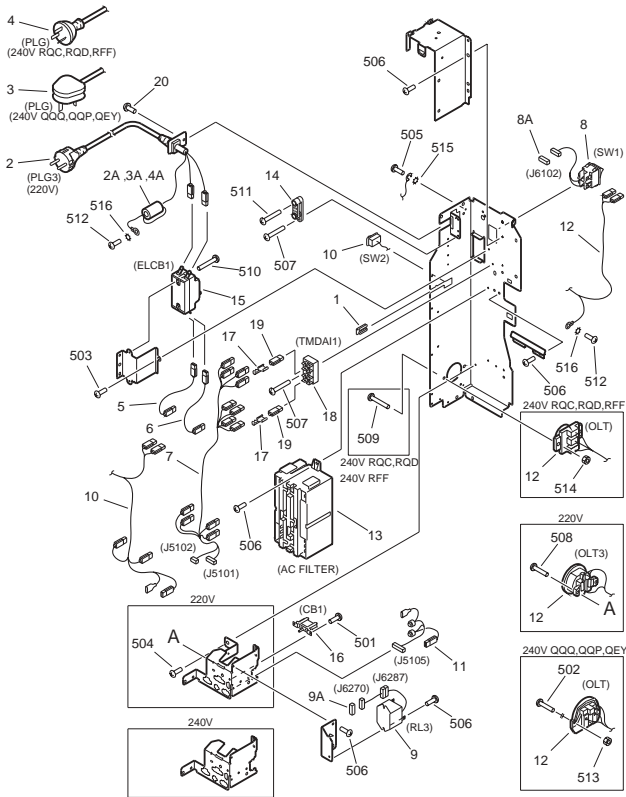


FIGURE & KEY NO.	PARTS NUMBER	R A N K	Q'TY	DESCRIPTION	SERIAL NUMBER/ REMARKS	S V C
Fig.113	FG6-4274-000		1	POWER CORD TERMINAL ASSEMBLY	220V	
Fig.113	FG6-4275-000		1	POWER CORD TERMINAL ASSEMBLY	240V QQQ,QQP,QEY	
Fig.113	FG6-4276-030		1	POWER CORD ASSEMBLY	240V RQC,RQD,RFF	
1	FB5-3760-000		1	COVER, GAP		
2	FF3-3829-000		1	CORD, POWER	220VPLG3	
2A	WE8-5717-000		1	CORE, FERRITE		
3	FF3-3830-000		1	CORD, POWER	240V QQQ,QQP,QEYPLG	
3A	WE8-5717-000		1	CORE, FERRITE		
4	FF3-3831-020		1	CORD, POWER	240V RQC,RQD,RFFPLG	
4A	WE8-5717-000		1	CORE, FERRITE		
5	FG3-0704-000		1	CABLE, AC, 1		
6	FG3-0705-000		1	CABLE, AC, 2		
7	FG3-0706-000		1	CABLE, POWER CORD TERMINAL		
8	FG3-0711-000		1	CABLE, MAIN SWITCH SHUT OFF	SW1 J6102	
8A	VS1-7177-003		1	CONNECTOR, SNAP TIGHT	J6102	
9	FG3-0714-000		1	CABLE, RELAY	RL3 J6270,6287	
9A	VS1-7177-003		1	CONNECTOR, SNAP TIGHT	J6270	
10	FG3-0764-000		1	CABLE, ENVIRONMENT SWITCH	SW2	
11	FG3-0765-000		1	CABLE, HEATER CONNECT	J5105	
12	FG3-0767-000		1	CABLE, OUTLET	220VOLT3	
12	FG3-0768-000		1	CABLE, OUTLET	240V QQQ,QQP,QEYOLT	
12	FG3-0769-000		1	CABLE, OUTLET	240V RQC,RQD,RFFOLT	
13	FG6-4302-000		1	NOISE FILTER PCB ASSEMBLY	AC FILTER	
14	FH2-5043-000		1	CLIP, POWER CORD		
15	FH7-6311-000		1	BREAKER, ELECTRIC LEAKAGE	ELCB1	
16	WD3-5072-000		1	BREAKER, CIRCUIT	CB1	
17	WT1-0017-000		2	SOCKET, FASTEN 250, 16-20AWG		
18	WT1-5020-000		1	MOUNT, TERMINAL	TMDA11	
19	WT2-5436-000		2	SLEEVE, ONE TOUCH		
20	XA9-0739-000		1	SCREW,TP,M4X8		
501	XB1-2300-609		3	SCREW,MACH.,TRUSS HEAD,M3X6		
502	XB1-2301-207		2	SCREW,MACH.,TRUSS HEAD,M3X12	240V QQQ,QQP,QEY	

FIGURE & KEY NO.	PARTS NUMBER	R A N K	Q'TY	DESCRIPTION	SERIAL NUMBER/ REMARKS	S V C
503	XB1-2400-407		4	SCREW,MACH.,TRUSS HEAD,M4X4		
504	XB1-2400-407		1	SCREW,MACH.,TRUSS HEAD,M4X4	220V	
505	XB1-2400-603		1	SCREW,MACH.,TRUSS HEAD,M4X6		
506	XB1-2400-609		10	SCREW,MACH.,TRUSS HEAD,M4X6		
507	XB1-2401-009		2	SCREW,MACH.,TRUSS HEAD,M4X10		
508	XB1-2401-209		2	SCREW,MACH.,TRUSS HEAD,M4X12	220V	
509	XB1-2401-607		2	SCREW,MACH.,TRUSS HEAD,M4X16	240V RQC,RQD,RFF	
510	XB1-2402-009		2	SCREW,MACH.,TRUSS HEAD,M4X20		
511	XB1-2402-509		2	SCREW,MACH.,TRUSS HEAD,M4X25		
512	XB1-2500-603		2	SCREW,MACH.,TRUSS HEAD,M5X6		
513	XB7-2100-309		2	NUT,HEX,M3	240V QQQ,QQP,QEY	
514	XB7-2100-409		2	NUT,HEX,M4	240V RQC,RQD,RFF	
515	XD1-4200-402		1	WASHER,TOOTHED LOCK		
516	XD1-4200-502		2	WASHER,TOOTHED LOCK		

FIGURE 131 PRINTER PANEL-A1/B1

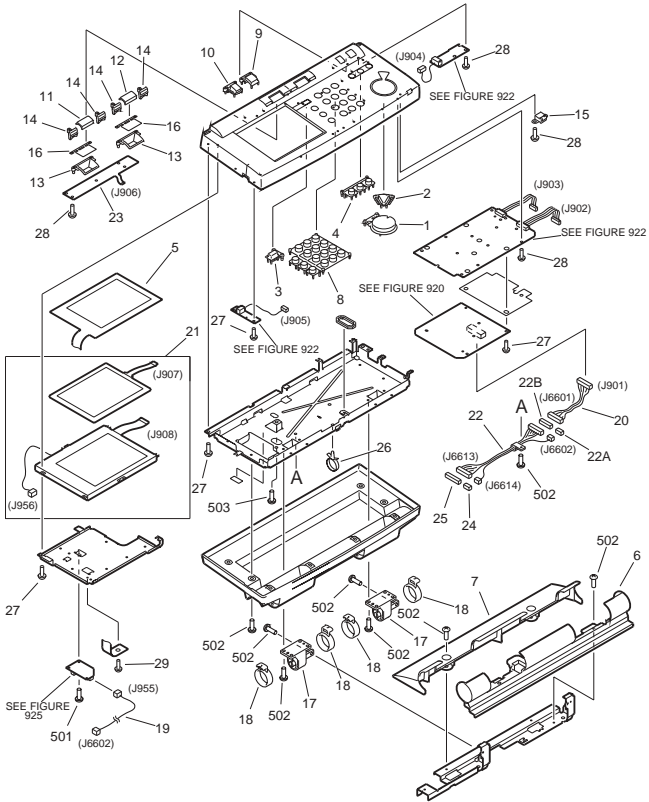
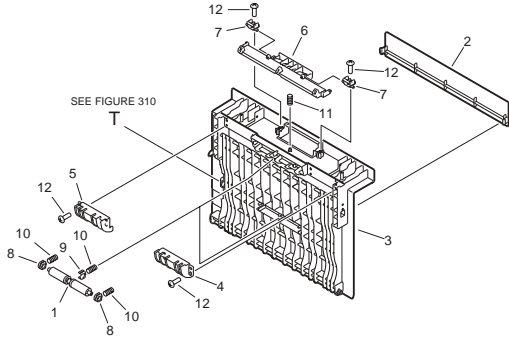


FIGURE & KEY NO.	PARTS NUMBER	R A N K	QTY	DESCRIPTION	SERIAL NUMBER/ REMARKS	S V C
Fig.131	NPN		RF	PRINTER PANEL-A1/B1		
1	FB4-2581-000		1	KEY TOP, COPY		
2	FB4-2582-000		1	KEY TOP, STOP		
3	FB4-2583-000		1	KEY TOP, RESET		
4	FB4-2585-000		1	KEY TOP, 3 CONTINUITY		
5	FB4-6704-000		1	PLATE, GROUNDING		
6	FB5-1531-000		1	PANEL, UPPER, FRONT MIDDLE 1		
7	FB5-1532-000		1	PANEL, UPPER, FRONT MIDDLE 2		
8	FB5-1789-000		1	KEY TOP, NUMBERS		
9	FB5-1790-000		1	KEY TOP, POWER SUPPLY		

FIGURE & KEY NO.	PARTS NUMBER	R A N K	Q'TY	DESCRIPTION	SERIAL NUMBER/ REMARKS	S V C
10	FB5-1791-000		1	KEY TOP, STAND BY		
11	FB5-1792-000		1	KEY TOP, FUNCTION, COPY	JAPANESE	
11	FB5-1807-000		1	KEY TOP, FUNCTION, COPY	ENGLISH	
11	FB5-1808-000		1	KEY TOP, FUNCTION, COPY	FRENCH	
11	FB5-1809-000		1	KEY TOP, FUNCTION, COPY	GERMAN	
11	FB5-1810-000		1	KEY TOP, FUNCTION, COPY	ILLUSTRATION	
12	FB5-1793-000		1	KEY TOP, FUNCTION, EXPANSION	JAPANESE	
12	FB5-1811-000		1	KEY TOP, FUNCTION, EXPANSION	ENGLISH	
12	FB5-1812-000		1	KEY TOP, FUNCTION, EXPANSION	FRENCH	
12	FB5-1813-000		1	KEY TOP, FUNCTION, EXPANSION	GERMAN	
12	FB5-1814-000		1	KEY TOP, FUNCTION, EXPANSION	ILLUSTRATION	
13	FB5-1794-000		2	BLOCK, REFLECTOR		
14	FB5-1795-000		4	COVER, LED		
15	FB5-1797-000		1	COVER, POWER LED		
16	FB5-1798-000		2	SHEET, REFLECTOR		
17	FB5-1799-000		2	HINGE, LOCK		
18	FB5-2591-000		4	COVER, CLEARANCE		
19	FG6-4314-000		1	CABLE, INVERTER	J955,6602	
20	FG6-4315-000		1	CABLE, JST	J901,6601	
21	FG6-5428-000		1	LCD CONTROL PANEL UNIT	J907,908,956	
22	FG6-6079-000		1	CABLE, CONTROL CONNECTING	J6601,6602,6613,6614	
22A	VS1-7177-002		1	CONNECTOR, SNAP TIGHT	J6602	
22B	VS1-6319-030		1	CONNECTOR, SNAP TIGHT	J6601	
23	FH6-0770-000		1	LED PCB ASSEMBLY	J906	
24	VS1-7177-002		1	CONNECTOR, SNAP TIGHT	J6614	
25	VS1-6319-030		1	CONNECTOR, SNAP TIGHT	J6613	
26	WT2-5565-000		1	CLAMP, CABLE		
27	XA9-0591-000		20	SCREW,M3X8		
28	XA9-0591-000		23	SCREW,M3X8		
29	XA9-0670-000		1	SCREW,M3X6		
501	XB1-2300-609		2	SCREW,MACH.,TRUSS HEAD,M3X6		
502	XB1-2400-607		8	SCREW,MACH.,TRUSS HEAD,M4X6		

FIGURE & KEY NO.	PARTS NUMBER	R A N K	Q'TY	DESCRIPTION	SERIAL NUMBER/ REMARKS	S V C
503	XB2-7400-607		1	SCREW,W/WASHER,M4X6		

FIGURE 140 RIGHT DOOR ASSEMBLY



NOTE: This assembly does not include the part shown with key No.2.
 注：このユニットにKey No. 2の部品は含まれません。

FIGURE & KEY NO.	PARTS NUMBER	R A N K	QTY	DESCRIPTION	SERIAL NUMBER/ REMARKS	S V C
Fig.140	FG6-4137-000		1	RIGHT DOOR ASSEMBLY	imageRUNNER C2050imageRUNNER C2020iR C2100/ 2100SCP2150/2120	
Fig.140	FG6-9291-000		1	RIGHT DOOR ASSEMBLY	imageRUNNER C2058iR C2105/2105SCP2155/ 2125/2150G	
1	FB3-2811-000		2	ROLLER, BELT IDLER	imageRUNNER C2050imageRUNNER C2020iR C2100/ 2100SCP2150/2120	
1	FG6-9254-000		2	ROLLER, BELT IDLER	imageRUNNER C2058iR C2105/2105SCP2155/ 2125/2150G	
2	FB4-1967-000		1	PLATE, BLANKING	SEE NOTE	
3	FB5-1451-000		1	PANEL, RIGHT DOOR		
4	FB5-1452-000		1	GUIDE, PAPER UPPER, FRONT		
5	FB5-1453-000		1	GUIDE, PAPER UPPER, REAR		
6	FB5-1454-000		1	HANDLE		
7	FB5-1455-000		2	BLOCK, HANDLE SHAFT		

FIGURE & KEY NO.	PARTS NUMBER	R A N K	Q'TY	DESCRIPTION	SERIAL NUMBER/ REMARKS	S V C
8	FS5-1595-000		4	BUSHING, VERTICAL ROLLER		
9	FS5-1598-000		2	BUSHING, VERTICAL ROLLER		
10	FS6-2308-000		6	SPRING, COMPRESSION		
11	FS7-2274-000		1	SPRING, COMPRESSION		
12	XA9-0605-000		6	SCREW,M4X8		

FIGURE 190 FIXING FAN ASSEMBLY

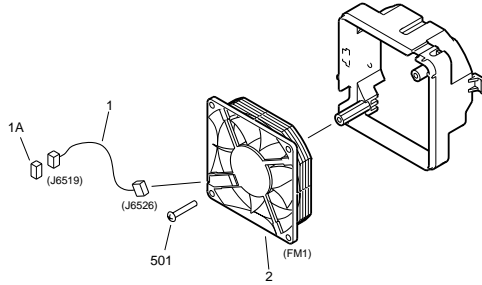


FIGURE & KEY NO.	PARTS NUMBER	R A N K	QTY	DESCRIPTION	SERIAL NUMBER/ REMARKS	S V C
Fig.190	FG6-4224-00U		1	RECONDITIONED FIXING FAN		
1	FG3-0796-000		1	CABLE, FIXING FAN	J6519,6526	
1A	VS1-7177-003		1	CONNECTOR, SNAP TIGHT	J6519	
2	FH6-1700-000		1	FAN, COOLING	FM1 J6526	
501	XB4-7401-209		2	SCREW,TAPPING,TRUSS HEAD,M4X12		

FIGURE 191 POWER SUPPLY COOLING FAN ASSEMBLY

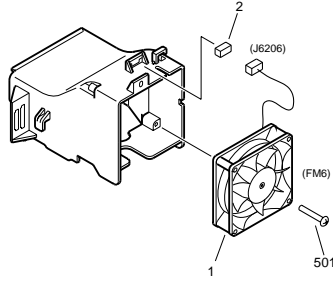


FIGURE & KEY NO.	PARTS NUMBER	RANK	QTY	DESCRIPTION	SERIAL NUMBER/REMARKS	SVC
Fig.191	FG6-4226-000		1	POWER SUPPLY COOLING FAN ASS'Y		
1	FH6-1729-000		1	FAN, COOLING	FM6 J6206	
2	VS1-7177-003		1	CONNECTOR, SNAP TIGHT	J6206	
501	XB4-7403-509		2	SCREW,TAPPING,TRUSS HEAD,M4X35		

FIGURE 192 PROCESS COOLING FAN ASSEMBLY

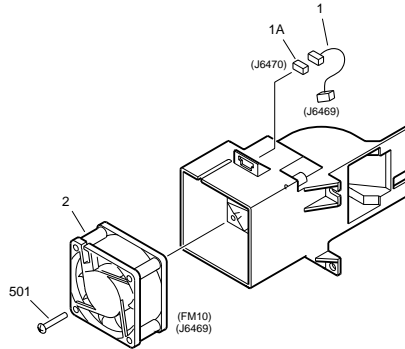
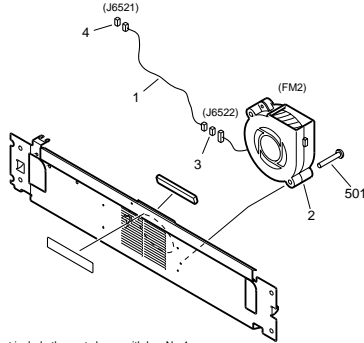


FIGURE & KEY NO.	PARTS NUMBER	RANK	Q'TY	DESCRIPTION	SERIAL NUMBER/REMARKS	SVC
Fig.192	FG6-4227-000		1	PROCESS COOLING FAN ASSEMBLY		
1	FG3-0793-000		1	CABLE, PROCESS COOLING FAN	J6469,6470	
1A	VS1-7177-003		1	CONNECTOR, SNAP TIGHT	J6470	
2	FH6-1544-020		1	FAN, COOLING	FM10 J6469	
501	XB4-7403-509		2	SCREW,TAPPING,TRUSS HEAD,M4X35		

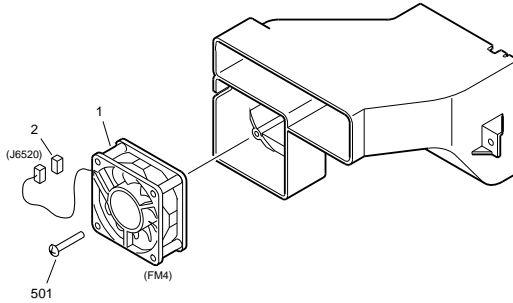
FIGURE 193 DELIVERY FAN ASSEMBLY (PLAIN TYPE)



NOTE: This assembly does not include the part shown with key No.4.
注：このユニットにKey No. 4の部品は含まれません。

FIGURE & KEY NO.	PARTS NUMBER	RANK	QTY	DESCRIPTION	SERIAL NUMBER/REMARKS	SVC
Fig.193	FG6-5854-000		1	DELIVERY FAN ASSEMBLY	PLAIN TYPE	
1	FG3-0717-000		1	CABLE, DELIVERY FAN CONNECTING	J6521,6522	
2	FH6-1701-000		1	FAN, COOLING	FM2 J6522	
3	VS1-7177-003		1	CONNECTOR, SNAP TIGHT	J6522	
4	VS1-7177-003		1	CONNECTOR, SNAP TIGHT	SEE NOTEJ6521	
501	XB1-2404-009		2	SCREW,MACH.,TRUSS HEAD,M4X40		

FIGURE 194 MACHINE COOLING FAN ASSEMBLY



NOTE: This assembly does not include the part shown with key No.2.
注：このユニットにKey No. 2の部品は含まれません。

FIGURE & KEY NO.	PARTS NUMBER	R A N K	Q'TY	DESCRIPTION	SERIAL NUMBER/ REMARKS	S V C
Fig.194	FG6-5855-000		1	MACHINE COOLING FAN ASSEMBLY		
1	FH6-1579-020		1	FAN, COOLING	FM4 J6520	
2	VS1-7177-003		1	CONNECTOR, SNAP TIGHT	SEE NOTE J6520	
501	XB4-7403-509		2	SCREW, TAPPING, TRUSS HEAD, M4X35		

FIGURE 250 DRUM DRIVE ASSEMBLY

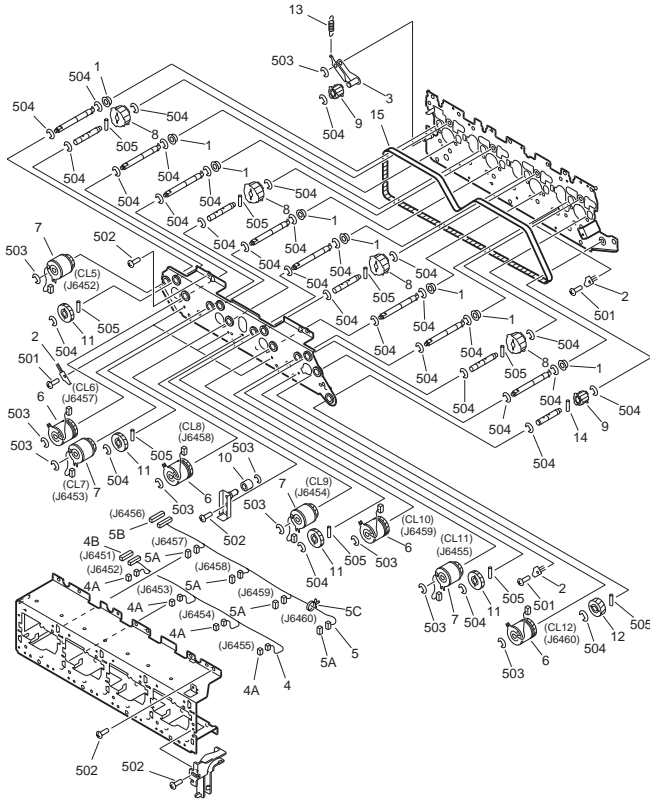


FIGURE & KEY NO.	PARTS NUMBER	RANK	QTY	DESCRIPTION	SERIAL NUMBER/REMARKS	SVC
Fig.250	FG6-4154-000		1	DRUM DRIVE ASSEMBLY		
1	FA9-2112-000		8	BUSHING		
2	FB2-4375-000		5	BRUSH, GROUNDING		
3	FF5-9278-000		1	PLATE, TENSIONER		
4	FG3-0737-000		1	CABLE, DRUM DRIVE, 1	J6451-6455	
4A	VS1-7177-002		4	CONNECTOR, SNAP TIGHT	J6452-6455	
4B	VS1-7173-008		1	CONNECTOR, SNAP TIGHT	J6451	
5	FG3-0738-000		1	CABLE, DRUM DRIVE, 2	J6456-6460	
5A	VS1-7177-003		4	CONNECTOR, SNAP TIGHT	J6457-6460	

FIGURE & KEY NO.	PARTS NUMBER	R A N K	Q'TY	DESCRIPTION	SERIAL NUMBER/ REMARKS	S V C
5B	VS1-6318-011		1	CONNECTOR, SNAP TIGHT	J6456	
5C	WT2-5178-000		1	CLIP, CABLE		
6	FH7-5916-000		4	CLUTCH, ELECTROMAGNETIC	CL6,8,10,12J6457-6460	
7	FH7-5917-000		4	CLUTCH, ELECTROMAGNETIC	CL5,7,9,11J6452-6455	
8	FS5-3775-000		4	PULLEY, 50T		
9	FS5-3776-000		2	PULLEY, 30T		
10	FS5-6718-000		1	ROLLER, IDLER		
11	FS7-0550-000		4	GEAR, 35T		
12	FS7-0551-000		1	GEAR, 25T		
13	FS7-2275-000		1	SPRING, TENSION		
14	XD9-0108-000		1	PIN,DOWEL		
15	XF2-1143-310		1	BELT, TIMING		
501	XB1-2400-606		5	SCREW,MACH.,TRUSS HEAD,M4X6		
502	XB1-2400-609		13	SCREW,MACH.,TRUSS HEAD,M4X6		
503	XD2-1100-402		10	RING,E		
504	XD2-1100-642		33	RING,E		
505	XD3-2200-182		9	PIN,DOWEL		

FIGURE 260 PAPER PICK-UP DRIVE ASSEMBLY

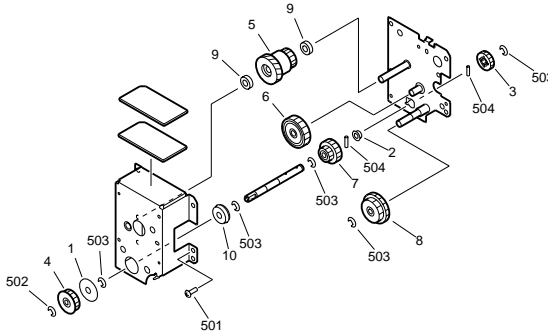


FIGURE & KEY NO.	PARTS NUMBER	RANK	QTY	DESCRIPTION	SERIAL NUMBER/REMARKS	S V C
Fig.260	FG6-4134-000		1	PAPER PICK-UP DRIVE ASSEMBLY		
1	FB5-2301-000		1	FLANGE		
2	FS1-1465-000		1	BUSHING		
3	FS3-0942-000		1	GEAR, 21T		
4	FS5-3774-000		1	PULLEY, 28T		
5	FS7-0502-000		1	GEAR, 33T/54T		
6	FS7-0503-000		1	GEAR, 48T		
7	FS7-0504-000		1	GEAR, 21T/36T		
8	FS7-0505-000		1	GEAR, 28T/46T		
9	XG9-0172-000		2	BEARING, BALL		
10	XG9-0249-000		1	BEARING, BALL		
501	XB1-2400-609		2	SCREW,MACH.,TRUSS HEAD,M4X6		
502	XD2-1100-402		1	RING,E		
503	XD2-1100-642		5	RING,E		
504	XD3-2200-142		2	PIN,DOWEL		

FIGURE 265 VERTICAL PATH DRIVE ASSEMBLY

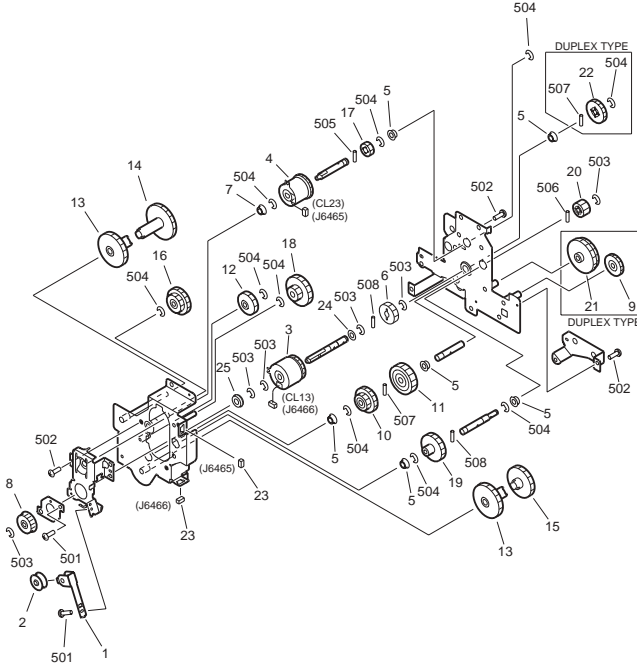
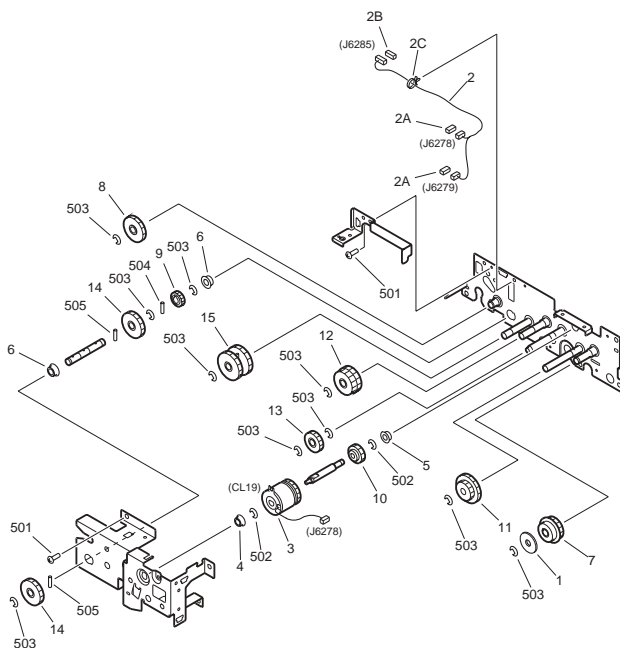


FIGURE & KEY NO.	PARTS NUMBER	RANK	QTY	DESCRIPTION	SERIAL NUMBER/REMARKS	SVC
Fig.265	FG6-7803-00U		1	REFURBISHED VERTICAL	PLAIN TYPE	
Fig.265	FG6-4135-00U		1	REFURBISHED VERTICAL	DUPLIX TYPE	
1	FB3-2584-000		1	SPRING, LEAF		
2	FB3-2588-000		1	ROLLER, TENSIONER		
3	FH7-5764-000		1	CLUTCH, ELECTROMAGNETIC	CL13 J6466	
4	FH6-5067-000		1	CLUTCH, ELECTROMAGNETIC	CL23 J6465	
5	FS1-1186-000		6	BUSHING		
6	FS5-0677-000		1	GEAR, 26T		
7	FS5-1004-000		1	BUSHING, POLYACETAR		
8	FS5-3774-000		1	PULLEY, 28T		
9	FS7-0058-000		1	GEAR, 28T	DUPLIX TYPE	
10	FS7-0522-000		1	GEAR, 21T/33T		
11	FS7-0523-000		1	ONE-WAY GEAR, 39T		
12	FS7-0524-000		1	GEAR, 29T		

FIGURE & KEY NO.	PARTS NUMBER	RANK	Q'TY	DESCRIPTION	SERIAL NUMBER/REMARKS	SVC
13	FS7-0525-000		2	GEAR, 46T		
14	FS7-0526-000		1	GEAR, 48T		
15	FS7-0527-000		1	GEAR, 42T		
16	FS7-0530-000		1	GEAR, 24T/35T		
17	FS7-0531-000		1	GEAR, 16T		
18	FS7-0532-000		1	GEAR, 18T/40T		
19	FS7-0533-000		1	GEAR, 36T		
20	FS7-0534-000		1	GEAR, 17T		
21	FS7-0588-000		1	GEAR, 42T/46T	DUPLEX TYPE	
22	FS7-0593-000		1	GEAR, 30T	DUPLEX TYPE	
23	VS1-7177-002		2	CONNECTOR, SNAP TIGHT	J6465,6466	
24	XD9-0169-000		1	WASHER, WAVE		
25	XG9-0250-000		1	BEARING, BALL		
501	XB1-2300-609		1	SCREW,MACH.,TRUSS HEAD,M3X6		
502	XB1-2400-609		9	SCREW,MACH.,TRUSS HEAD,M4X6	DUPLEX TYPE	
502	XB1-2400-609		7	SCREW,MACH.,TRUSS HEAD,M4X6	PLAIN TYPE	
503	XD2-1100-402		5	RING,E		
504	XD2-1100-642		11	RING,E	DUPLEX TYPE	
504	XD2-1100-642		10	RING,E	PLAIN TYPE	
505	XD3-2200-102		1	PIN,DOWEL		
506	XD3-2200-122		1	PIN,DOWEL		
507	XD3-2200-162		2	PIN,DOWEL	DUPLEX TYPE	
507	XD3-2200-162		1	PIN,DOWEL	PLAIN TYPE	
508	XD3-2200-182		2	PIN,DOWEL		

FIGURE 267 DUPLEXING FEEDER DRIVE ASSEMBLY (DUPLEX TYPE)



NOTE: This assembly is included in the assembly shown in Figure 360.

注：このユニットはFigure360のユニットに含まれます。

FIGURE & KEY NO.	PARTS NUMBER	RANK	QTY	DESCRIPTION	SERIAL NUMBER/REMARKS	SVC
Fig.267	FG6-4186-000		1	DUPLEXING FEEDER DRIVE ASS'Y	imageRUNNER C2050imageRUNNER C2020iR C2100/2100SCP2150/2120/2150GDUPLEX TYPE SEE NOTE	
Fig.267	FG6-9297-000		1	DUPLEXING FEEDER DRIVE ASS'Y	imageRUNNER C2058iR C2105/2105SCP2155/2125GDUPLEX TYPE SEE NOTE	
1	FB5-2282-000		1	FLANGE		
2	FG3-0762-000		1	CABLE, DUPLEXING CLUTCH	J6278,6279,6285	

FIGURE & KEY NO.	PARTS NUMBER	R A N K	Q'TY	DESCRIPTION	SERIAL NUMBER/ REMARKS	S V C
2A	VS1-7177-002		1	CONNECTOR, SNAP TIGHT	J6278,6279	
2B	VS1-7177-004		1	CONNECTOR, SNAP TIGHT	J6285	
2C	WT2-5041-000		1	CLAMP, CABLE		
3	FH7-5918-000		1	CLUTCH, ELECTROMAGNETIC	CL19 J6278	
4	FS1-1433-000		1	BUSHING		
5	FS1-1508-000		1	BUSHING		
6	FS1-1510-000		2	BUSHING		
7	FS5-3777-000		1	GEAR, 28T/ PULLEY, 38T		
8	FS6-0367-000		1	GEAR, 30T		
9	FS6-0627-000		1	GEAR, 16T		
10	FS7-0038-000		1	GEAR, 21T		
11	FS7-0589-000		1	GEAR, 22T/34T		
12	FS7-0590-000		1	GEAR, 28T/30T	imageRUNNER C2050imageRUNNER C2020iR C2100/ 2100SCP2150/2120/ 2150G	
12	FU3-0393-000		1	GEAR, 30T/34T	imageRUNNER C2058iR C2105/2105SCP2155/ 2125	
13	FS7-0592-000		1	GEAR, 23T	imageRUNNER C2050imageRUNNER C2020iR C2100/ 2100SCP2150/2120/ 2150G	
13	FS6-0081-000		1	GEAR, 20T	imageRUNNER C2058iR C2105/2105SCP2155/ 2125	
14	FS7-0593-000		2	GEAR, 30T		
15	FS7-0595-000		1	GEAR, 33T/34T		
501	XB1-2400-609		5	SCREW,MACH.,TRUSS HEAD,M4X6		
502	XD2-1100-502		2	RING,E		
503	XD2-1100-642		11	RING,E		
504	XD3-2200-102		1	PIN,DOWEL		
505	XD3-2200-162		2	PIN,DOWEL		

FIGURE 270 TRANSFER SWING CAM ASSEMBLY

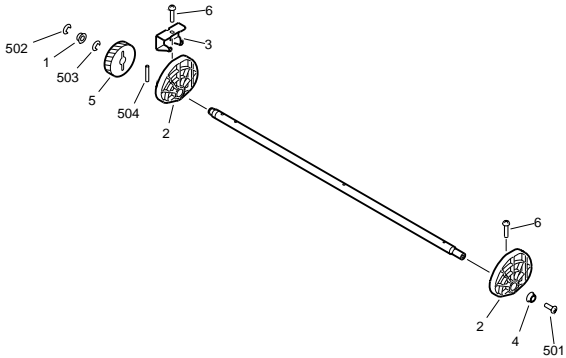


FIGURE & KEY NO.	PARTS NUMBER	RANK	Q'TY	DESCRIPTION	SERIAL NUMBER/REMARKS	SVC
Fig.270	FG6-4183-020		1	TRANSFER SWING CAM ASSEMBLY		
1	FA9-2112-000		1	BUSHING		
2	FB5-1111-000		2	CAM		
3	FB5-9727-000		1	STOP CAM		
4	FS1-1202-000		1	BUSHING		
5	FS7-0540-000		1	GEAR, 38T		
6	XA9-1141-000		2	SCREW,TP,M4X18		
501	XB1-2500-609		1	SCREW,MACH.,TRUSS HEAD,M5X6		
502	XD2-1100-502		1	RING,E		
503	XD2-1100-802		1	RING,E		
504	XD3-2300-262		1	PIN,DOWEL		

FIGURE 280 FIXING DRIVE ASSEMBLY

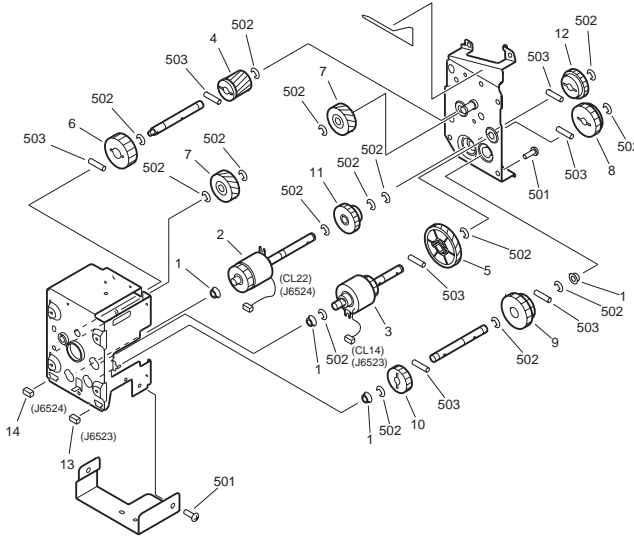


FIGURE & KEY NO.	PARTS NUMBER	RANK	QTY	DESCRIPTION	SERIAL NUMBER/REMARKS	SVC
Fig.280	FG6-4155-000		1	FIXING DRIVE ASSEMBLY		
1	FA9-2112-000		4	BUSHING		
2	FG6-4243-000		1	FIXING HIGH SPEED CLUTCH UNIT	CL22 J6524	
3	FG6-4244-000		1	FIXING CLUTCH UNIT	CL14 J6523	
4	FS7-0548-000		1	GEAR, 21T		
5	FS7-0549-000		1	GEAR, 46T		
6	FS7-0558-000		1	GEAR, 54T		
7	FS7-0560-000		2	GEAR, 30T		
8	FS7-0562-000		1	GEAR, 34T		
9	FS7-0563-000		1	GEAR, 27T/46T		
10	FS7-0564-000		1	GEAR, 34T		
11	FS7-0565-000		1	GEAR, 30T ONE-WAY		
12	FS7-0566-000		1	GEAR, 30T		
13	VS1-7177-002		1	CONNECTOR, SNAP TIGHT	J6523	
14	VS1-7177-003		1	CONNECTOR, SNAP TIGHT	J6524	
501	XB6-7400-605		8	SCREW,TP,M4X6		
502	XD2-1100-642		15	RING,E		

FIGURE & KEY NO.	PARTS NUMBER	R A N K	Q'TY	DESCRIPTION	SERIAL NUMBER/ REMARKS	S V C
503	XD3-2200-182		7	PIN,DOWEL		

FIGURE 290 FACE DOWN OUTPUT UNIT DRIVE ASSEMBLY (DUPLEX TYPE)

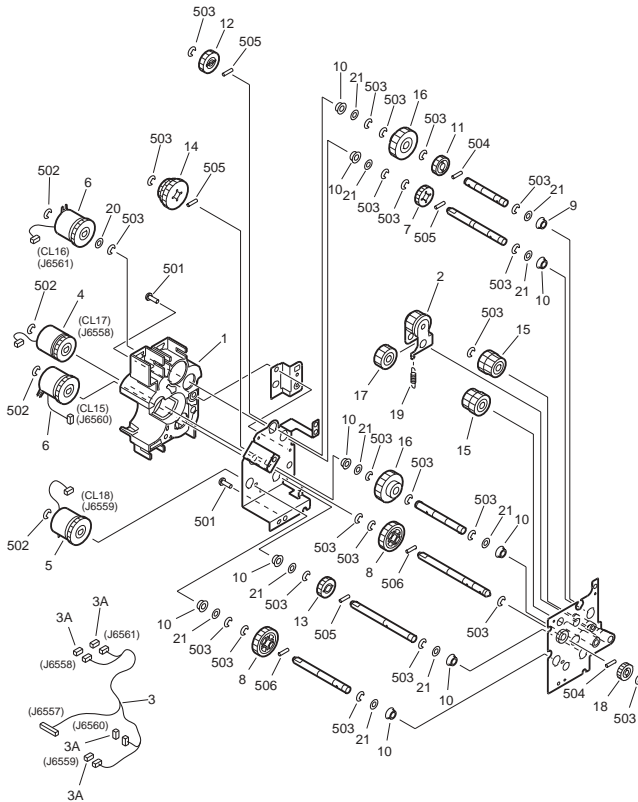


FIGURE & KEY NO.	PARTS NUMBER	RANK	QTY	DESCRIPTION	SERIAL NUMBER/REMARKS	SVC
Fig.290	FG6-4188-000		1	FACE DOWN OUTPUT DRIVE ASSY	imageRUNNER C2050imageRUNNER C2020iR C2100/2100SCP2150/2120/2150GDUPLEX TYPE	
Fig.290	FG6-9293-000		1	FACE DOWN OUTPUT DRIVE ASSY	imageRUNNER C2058iR C2105/2105SCP2155/2125DUPLEX TYPE	
1	FB5-1764-000		1	HOLDER, CLUTCH		
2	FF5-9285-000		1	ARM, TENSIONER		
3	FG3-0756-000		1	CABLE, DUPLEX DELIVERY DRIVE	J6557-6561	

FIGURE & KEY NO.	PARTS NUMBER	R A N K	Q'TY	DESCRIPTION	SERIAL NUMBER/ REMARKS	S V C
3A	VS1-7177-002		4	CONNECTOR, SNAP TIGHT	J6558-6561	
4	FH7-5918-000		1	CLUTCH, ELECTROMAGNETIC	CL17 J6558	
5	FH6-5074-000		1	CLUTCH, ELECTROMAGNETIC	CL18 J6559	
6	FH6-5074-000		1	CLUTCH, ELECTROMAGNETIC	imageRUNNER C2050imageRUNNER C2020iR C2100/ 2100SCP2150/2120/ 2150GCL15,16 J6560,6561	
6	FH6-5050-000		2	CLUTCH, ELECTROMAGNETIC	imageRUNNER C2058iR C2105/2105SCP2155/ 2125CL15,16 J6560,6561	
7	FS1-0542-000		1	GEAR, 22T		
8	FS1-0578-000		2	GEAR, 32T		
9	FS1-1341-000		1	BUSHING		
10	FS1-1510-000		9	BUSHING		
11	FS6-0025-000		1	GEAR, 19T		
12	FS7-0018-000		1	GEAR, 24T	imageRUNNER C2050imageRUNNER C2020iR C2100/ 2100SCP2150/2120/ 2150G	
12	FU3-0392-000		1	GEAR, 21T	imageRUNNER C2058iR C2105/2105SCP2155/ 2125	
13	FS7-0597-000		1	GEAR, 22T		
14	FS7-0598-000		1	GEAR, 24T/28T/32T	imageRUNNER C2050imageRUNNER C2020iR C2100/ 2100SCP2150/2120/ 2150G	
14	FU3-0391-000		1	GEAR, 21T/28T/32T	imageRUNNER C2058iR C2105/2105SCP2155/ 2125	
15	FS7-0599-000		2	REAR, 22T/24T		
16	FS7-0680-000		2	GEAR, 34T		
17	FS7-0681-000		1	GEAR, 24T		
18	FS7-0686-000		1	GEAR, 18T		
19	FS7-2355-000		1	SPRING, TENSION		
20	XD9-0169-000		1	WASHER, WAVE		
21	XD9-0202-000		10	WASHER		

FIGURE & KEY NO.	PARTS NUMBER	R A N K	Q'TY	DESCRIPTION	SERIAL NUMBER/ REMARKS	S V C
501	XB1-2400-607		6	SCREW,MACH.,TRUSS HEAD,M4X6		
502	XD2-1100-402		4	RING,E		
503	XD2-1100-642		24	RING,E		
504	XD3-2200-122		2	PIN,DOWEL		
505	XD3-2200-142		4	PIN,DOWEL		
506	XD3-2200-182		2	PIN,DOWEL		

FIGURE 300 CASSETTE

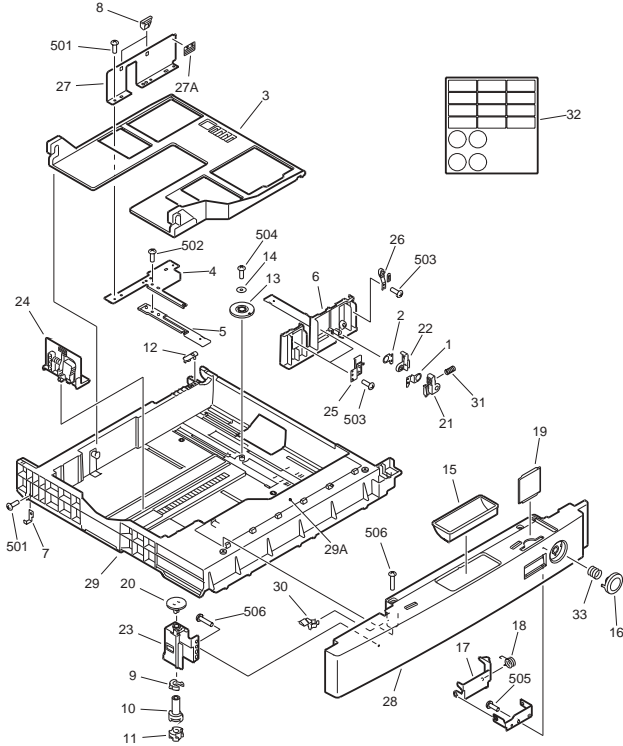


FIGURE & KEY NO.	PARTS NUMBER	RANK	QTY	DESCRIPTION	SERIAL NUMBER/REMARKS	SVC
Fig.300	NPN		RF	CASSETTE		
1	FA9-3313-030		1	PLATE, STOP, 1		
2	FA9-3314-030		1	PLATE, STOP, 2		
3	FB3-2922-000		1	PLATE, PAPER LIFTING		
4	FB3-2926-000		1	PLATE, SIDE END		
5	FB3-2927-000		1	RACK, MANUAL		
6	FB3-2928-000		1	PLATE, SIZE END, FRONT		
7	FB3-2930-000		2	PLATE, STOP		
8	FB3-2934-000		2	CLAW, SIDE		
9	FB3-2941-000		1	CAM, SIZE SENSOR, 1		
10	FB3-2942-000		1	CAM, SIZE SENSOR, 2		
11	FB3-2943-000		1	CAM, SIZE SENSOR, 3		

FIGURE & KEY NO.	PARTS NUMBER	RANK	Q'TY	DESCRIPTION	SERIAL NUMBER/REMARKS	SVC
12	FB3-2953-000		1	BLOCK, SLIDER		
13	FB3-2955-000		1	GEAR, 20T		
14	FB3-2956-000		1	RING, GEAR STOP		
15	FB4-3954-000		1	KNOB		
16	FB5-1482-000		1	BUTTON, CASSETTE PUSH		
17	FB5-1484-000		1	LEVER, CLICK RELEASE	LARGE	
17	FB5-1485-000		1	LEVER, CLICK RELEASE	MIDDLE	
18	FB5-1488-000		1	SPRING, TORSION		
19	FC7-2025-000		1	PLATE, SIZE		
20	FB5-3811-000		1	KNOB, SIZE SENSOR		
21	FB5-3812-000		1	KNOB, FRONT SIDE END PLATE, 1		
22	FB5-3813-000		1	KNOB, FRONT SIDE END PLATE, 2		
23	FB5-3906-000		1	COVER, CAM		
24	FB5-8353-000		1	PLATE, PAPER END SIDE LIMIT		
25	FF5-4491-000		2	BLOCK, SIDE, 2		
26	FF5-4548-030		1	BLOCK, SIDE, 1		
27	FF5-4569-020		1	PLATE, SIDE END, REAR		
27A	FS6-8116-000		1	LABEL, 'PAPER HEIGHT'		
28	FF5-9355-000		1	PANEL, CASSETTE, FRONT		
29	FF5-9358-000	N	1	BODY, CASSETTE	LARGE	
29	FF5-9359-000	N	1	BODY, CASSETTE	MIDDLE	
29A	FS6-8879-000		1	LABEL, 'PAPER SUPPLY'	LARGE	
29A	FS6-8869-000		1	LABEL, 'PAPER SUPPLY'	MIDDLE	
30	FF6-0797-000		1	BLOCK, WASTE TONER SUPPORT		
31	FS5-2650-000		1	SPRING, COMPRESSION		
32	FS6-8867-000		1	LABEL, CASSETTE SIZE		
33	FS7-2289-000		1	SPRING, COMPRESSION		
501	XB1-2300-409		5	SCREW,MACH.,TRUSS HEAD,M3X4		
502	XB1-2300-609		2	SCREW,MACH.,TRUSS HEAD,M3X6		
503	XB4-7300-609		3	SCREW,TAPPING,TRUSS HEAD,M3X6		
504	XB4-7300-809		1	SCREW,TAPPING,TRUSS HEAD,M3X8		
505	XB4-7400-809		1	SCREW,TAPPING,TRUSS HEAD,M4X8		

FIGURE & KEY NO.	PARTS NUMBER	R A N K	Q'TY	DESCRIPTION	SERIAL NUMBER/ REMARKS	S V C
506	XB4-7401-207		3	SCREW,TAPPING,TRUSS HEAD,M4X12		

FIGURE 305 CASSETTE HEATER ASSEMBLY (ACCESSORY)

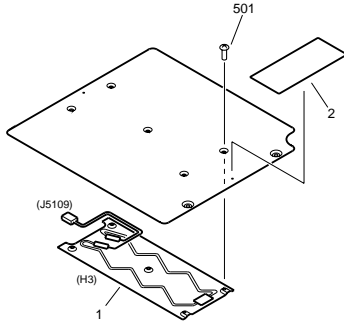
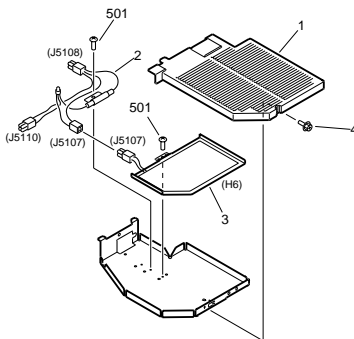


FIGURE & KEY NO.	PARTS NUMBER	RANK	Q'TY	DESCRIPTION	SERIAL NUMBER/REMARKS	SVC
Fig.305	NPN		RF	CASSETTE HEATER ASSEMBLY	ACCESSORY	
1	FH7-4576-000		1	HEATER, CASSETTE	100VH3 J5109	
1	FH7-4669-000		1	HEATER	120VH3 J5109	
1	FH7-4509-000		1	HEATER, CASSETTE	220/240VH3 J5109	
2	FS6-8904-000		1	LABEL, CASSETTE HEATER		
501	XB1-2400-407		5	SCREW,MACH.,TRUSS HEAD,M4X4		

FIGURE 306 RIGHT ENVIRONMENT HEATER ASSEMBLY

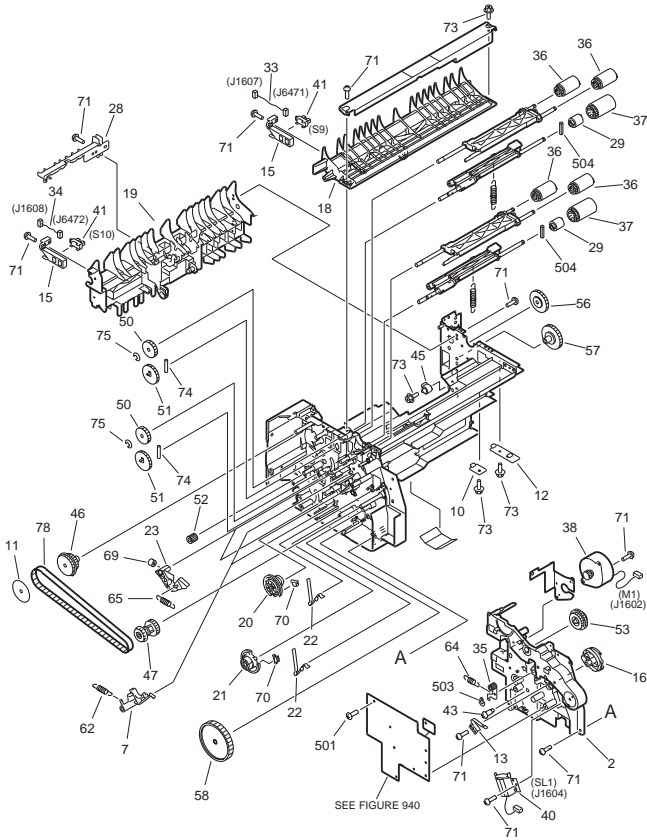


NOTE: This assembly does not include the parts shown with key No. 1 and 4.

注：このユニットにKey No. 1, 4の部品は含まれません。

FIGURE & KEY NO.	PARTS NUMBER	RANK	QTY	DESCRIPTION	SERIAL NUMBER/REMARKS	SVC
Fig.306	FG6-4233-000		1	RIGHT ENVIRONMENT HEATER ASS'Y	100V	
Fig.306	FG6-4253-000		1	RIGHT ENVIRONMENT HEATER ASS'Y	120V	
Fig.306	FG6-4254-000		1	RIGHT ENVIRONMENT HEATER ASS'Y	220/240V	
1	FB5-3782-000		1	COVER, HEATER	SEE NOTE	
2	FG3-0817-000		1	CABLE, THERMAL SWITCH	100/ 120V J5107,5108,5110	
2	FG3-0818-000		1	CABLE, THERMAL SWITCH	220/ 240V J5107,5108,5110	
3	FH7-4646-000		1	HEATER, FLAT	100VH6 J5107	
3	FH7-4657-000		1	HEATER, FLAT	120VH6 J5107	
3	FH7-4648-000		1	HEATER, FLAT	220/240VH6 J5107	
4	XA9-0629-000		1	SCREW,RS,M4X8	SEE NOTE	
501	XB1-2400-407		2	SCREW,MACH.,TRUSS HEAD,M4X4		

FIGURE 310 PAPER PICK-UP ASSEMBLY



NOTE1: This assembly includes the assembly shown in Figure 940.

NOTE2: This assembly does not include the part shown with key No.72.

注1: このユニットはFigure 940のユニットを含みます。

注2: このユニットにKey No. 72の部品は含まれません。

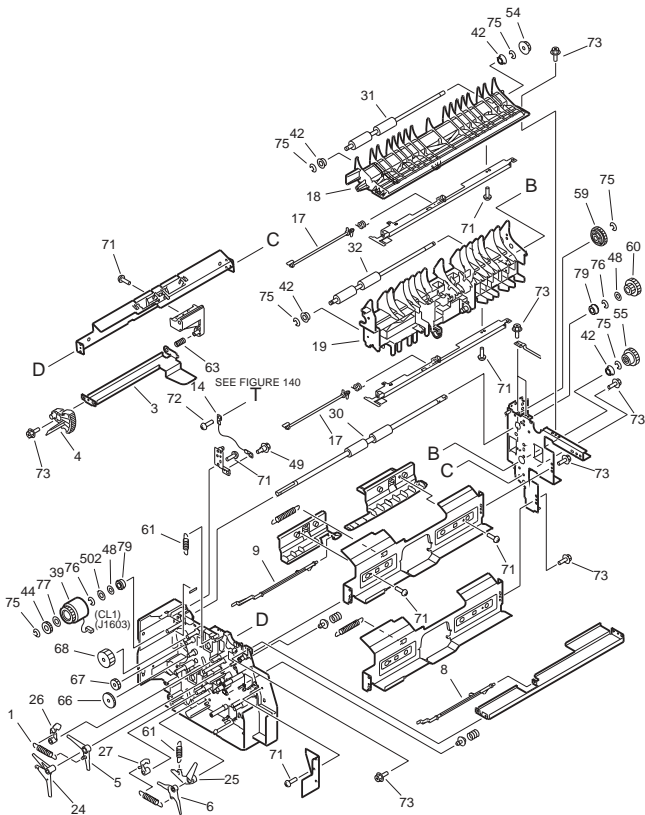


FIGURE & KEY NO.	PARTS NUMBER	RANK	QTY	DESCRIPTION	SERIAL NUMBER/REMARKS	SVC
Fig.310	FG6-4142-000		1	PAPER PICK-UP ASSEMBLY	SEE NOTE 1	
1	FA9-3611-000		1	SPRING, TENSION		
2	FB3-2844-000		1	COVER, FRAME		
3	FB3-2855-020		2	PLATE, PAPER SUPPORT		
4	FB3-2856-000		2	GEAR, RATCHET		
5	FB3-2863-000		1	LEVER, LIFTER, UPPER		
6	FB3-2864-000		1	LEVER, LIFTER, LOWER		
7	FB3-2868-020		2	CLAW, LIFTER LOCK		
8	FB3-2880-000		1	FLAG, PAPER SENSOR, UPPER		
9	FB3-2881-000		1	FLAG, PAPER SENSOR, LOWER		

FIGURE & KEY NO.	PARTS NUMBER	RANK	Q'TY	DESCRIPTION	SERIAL NUMBER/REMARKS	SVC
10	FB3-2894-020		1	GUIDE, LOWER CASSETTE		
11	FB3-2896-000		1	PLATE, BELT SUPPORT		
12	FB3-2897-020		1	GUIDE, UPPER CASSETTE		
13	FB3-2898-020		1	SPRING, LEAF		
14	FB3-5597-000		1	WIRE, DOOR SUPPORT		
15	FB4-2817-000		2	MOUNT, SENSOR		
16	FB4-2987-000		1	CAM, PAPER PICK-UP ROLLER		
17	FB4-3343-000		2	FLAG, RETRY SENSOR		
18	FB4-3800-000		1	GUIDE, C. PEDESTAL, UPPER		
19	FB4-3801-000		1	GUIDE, C. PEDESTAL, MIDDLE		
20	FB4-5347-000		1	CAM, LIFT UP, UPPER		
21	FB4-5348-000		1	CAM, LIFT UP, LOWER		
22	FB4-5349-000		2	SPRING, LEAF		
23	FB4-5350-000		2	CLAW, LIFTER ARM		
24	FB4-5364-000		1	ARM, LIFTER, UPPER		
25	FB4-5365-000		1	ARM, LIFTER, LOWER		
26	FB4-5366-000		1	LEVER, PICK LOCK, UPPER		
27	FB4-5367-000		1	LEVER, PICK LOCK, LOWER		
28	FB4-6700-000		1	COVER, VERTICAL PATH SENSOR		
29	FB5-2946-000		2	LIMITER, TORQUE		
30	FB5-3851-000		1	ROLLER, VERTICAL PATH		
31	FB5-3852-000		1	ROLLER, PAPER FEED, UPPER		
32	FB5-3853-000		1	ROLLER, PAPER FEED, LOWER		
33	FF3-2974-000		1	CABLE, UPPER RETRY SENSOR	J1607,6471	
34	FF3-2975-000		1	CABLE, LOWER RETRY SENSOR	J1608,6472	
35	FF5-4524-020		1	PLATE, TENSION		
36	FF5-4552-020		4	ROLLER, PAPER PICK-UP		
37	FF5-4634-020		2	ROLLER, PAPER SEPARATION		
38	FH6-1696-000		1	MOTOR, STEPPING	M1 J1602	
39	FH7-5770-000		1	CLUTCH, ELECTROMAGNETIC	CL1 J1603	
40	FH7-5782-000		1	SOLENOID	SL1 J1604	
41	WG8-5708-000		2	PHOTO-INTERRUPTER	S9,10 J6471,6472	

FIGURE & KEY NO.	PARTS NUMBER	R A N K	Q'TY	DESCRIPTION	SERIAL NUMBER/ REMARKS	S V C
42	FS1-1512-000		4	BUSHING		
43	FS1-9010-020		2	SCREW, STEPPED, M3		
44	FS5-0390-000		1	GEAR, 16T		
45	FS5-1589-000		1	BUSHING		
46	FS5-3619-000		1	GEAR PULLEY, 28T/50T		
47	FS5-3620-000		1	GEAR PULLEY, 32T/50T		
48	FS5-6487-000		2	SHIM		
49	FS5-9164-000		1	SCREW,RS STEPPED,M4		
50	FS6-0564-000		2	GEAR, 35T		
51	FS6-0565-000		2	GEAR, 42T		
52	FS6-0569-000		1	GEAR, 14T		
53	FS6-0570-000		1	GEAR, 35T/44T		
54	FS6-0572-000		1	GEAR, 16T		
55	FS6-0573-000		1	GEAR, 28T		
56	FS6-0574-000		1	GEAR, 38T		
57	FS6-0575-000		1	GEAR, 42T		
58	FS6-0576-000		1	GEAR, 86T		
59	FS6-0631-000		1	GEAR, 24T		
60	FS6-0637-000		1	GEAR, 16T/28T		
61	FS6-2325-000		2	SPRING, TENSION		
62	FS6-2328-020		2	SPRING, TENSION		
63	FS6-2330-000		2	SPRING, COMPRESSION		
64	FS6-2331-000		1	SPRING, TENSION		
65	FS6-2900-000		2	SPRING, TENSION		
66	FS7-0103-000		1	GEAR, 35T		
67	FS7-0104-000		1	GEAR, 24T		
68	FS7-0105-000		1	GEAR, 35T		
69	RB1-6539-000		2	DAMPER		
70	RB1-6592-000		2	GEAR, 3T		
71	XA9-0591-000		30	SCREW,M3X8		
72	XA9-0605-000		1	SCREW,M4X8	SEE NOTE 2	
73	XA9-0724-000		16	SCREW,RS,M3X8		

FIGURE & KEY NO.	PARTS NUMBER	RANK	Q'TY	DESCRIPTION	SERIAL NUMBER/REMARKS	SVC
74	XD9-0104-000		2	PIN,DOWEL		
75	XD9-0131-000		10	RING,E		
76	XD9-0137-010		1	E-RING		
77	XD9-0205-000		1	WASHER, WAVE		
78	XF9-0568-000		1	BELT, TIMING		
79	XG9-0403-000		2	BEARING, BALL		
501	XB1-2300-805		1	SCREW,MACH.,TRUSS HEAD,M3X8		
502	XD1-1108-225		1	SHIM		
503	XD2-2100-402		1	RING,GRIP		
504	XD3-1200-122		4	PIN,SPRING		
	XD9-0131-000		1	E-RING		

FIGURE 315 MULTI FEED ASSEMBLY

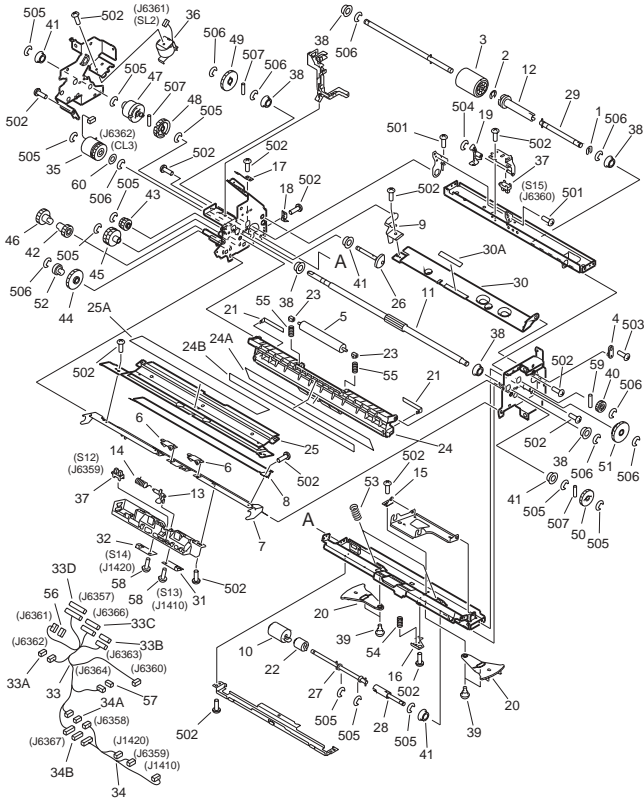


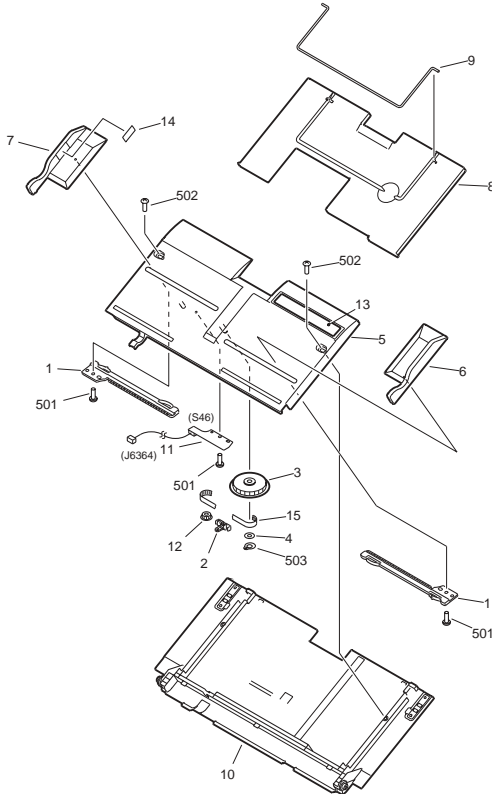
FIGURE & KEY NO.	PARTS NUMBER	RANK	QTY	DESCRIPTION	SERIAL NUMBER/REMARKS	SVC
Fig.315	FG6-4132-010		1	MULTI FEED ASSEMBLY		
1	FA3-8727-000		1	RING, RETAINING		
2	FA4-1159-000		1	RING, RETAINING		
3	FB1-8581-000		1	ROLLER, PAPER PICK-UP		
3	FB1-8581-000		1	ROLLER, PAPER PICK-UP		
4	FB1-8761-000		1	SHAFT, PLATE		
5	FB2-7546-000		1	ROLLER, SUB		
6	FB5-0855-000		2	COVER, OHP SENSOR		
7	FB5-0867-000		1	GUIDE, REGIST. FRONT, LOWER		
8	FB5-0868-000		1	GUIDE, REGIST. FRONT, MIDDLE		

FIGURE & KEY NO.	PARTS NUMBER	R A N K	Q'TY	DESCRIPTION	SERIAL NUMBER/ REMARKS	S V C
9	FB5-0870-000		1	HOLDER, MIDDLE PLATE		
10	FB5-0873-000		1	ROLLER, SEPARATION		
11	FB5-0874-000		1	ROLLER, EXTRACTION DRIVE		
12	FB5-0879-000		1	COUPLING		
13	FB5-0885-000		1	FLAG, REGIST. FRONT SENSOR		
14	FB5-0887-000		1	SPRING, TORSION		
15	FB5-0888-000		1	PLATE, SEPARATION HOLDER		
16	FB5-0889-000		1	PLATE, SEPARATION PRESSURE		
17	FB5-0890-000		1	SPRING, LEAF		
18	FB5-0893-000		1	PLATE, MULTI TRAY STOPPER		
19	FB5-0895-000		1	FLAG, PAPER SENSOR		
20	FB5-0898-000		2	PLATE, GUIDE PRESSURE		
21	FB5-0900-000		2	SPRING, LEAF		
22	FB5-2946-000		1	LIMITER, TORQUE		
23	FB5-8363-000		2	BUSHING		
24	FF5-9261-000		1	GUIDE, EXTRACTION		
24A	FB5-0860-000		1	SHEET, REGISTRATION		
24B	FB5-3953-000		1	SHEET, REGISTRATION GUIDE		
25	FF5-9262-000		1	GUIDE, REGIST. FRONT, UPPER		
25A	FB5-0897-000		1	SHEET, PAPER DUST-PROOF		
26	FF5-9263-000		1	CAM, MIDDLE PLATE		
27	FF5-9264-000		1	SHAFT, SEPARATION ROLLER		
28	FF5-9265-000		1	SHAFT, SEPARATION DRIVE		
29	FF5-9266-000		1	SHAFT, SEP. DRIVE CONNECT		
30	FF5-9354-000		1	PLATE, MULTI FEED MIDDLE		
30A	FB1-8584-000		1	SHEET, MIDDLE PLATE		
31	FG3-0668-020		1	OHP FRONT SENSOR PCB ASSEMBLY	S13 J1410	
32	FG3-0669-020		1	OHP REAR SENSOR PCB ASSEMBLY	S14 J1420	
33	FG3-0726-000		1	CABLE, MULTI FEED	J6357,6358,6360- 6364,J6366,6367	
33A	VS1-7177-002		1	CONNECTOR, SNAP TIGHT	J6362	
33B	VS1-7173-004		1	CONNECTOR, SNAP TIGHT	J6363	

FIGURE & KEY NO.	PARTS NUMBER	R A N K	Q'TY	DESCRIPTION	SERIAL NUMBER/ REMARKS	S V C
33C	VS1-6318-006		1	CONNECTOR, SNAP TIGHT	J6366	
33D	VS1-7173-010		1	CONNECTOR, SNAP TIGHT	J6357	
34	FG3-0727-000		1	CABLE, REGIST. FRONT SENSOR	J1410,1420,6358,J6359,6367	
34A	VS1-7177-003		1	CONNECTOR, SNAP TIGHT	J6358	
34B	VS1-6318-006		1	CONNECTOR, SNAP TIGHT	J6367	
35	FH6-5068-000		1	CLUTCH, ELECTROMAGNETIC	CL3 J6362	
36	FH7-5923-000		1	SOLENOID	SL2 J6361	
37	WG8-5708-000		2	PHOTO-INTERRUPTER	S12,15 J6359,6360	
38	FS1-1341-000		6	BUSHING		
39	FS2-9475-000		4	SCREW, STEPPED, M3		
40	FS5-0351-000		1	GEAR, 18T		
41	FS5-1581-000		4	BUSHING		
42	FS7-0506-000		1	GEAR, 25T		
43	FS7-0507-000		1	GEAR, 16T/23T		
44	FS7-0508-000		1	GEAR, 46T		
45	FS7-0509-000		1	GEAR, 28T/36T		
46	FS7-0510-000		1	GEAR, 24T		
47	FS7-0511-000		1	CAM GEAR, 34T		
48	FS7-0512-000		1	CAM GEAR, 34T		
49	FS7-0513-000		1	GEAR, 35T		
50	FS7-0514-000		1	GEAR, 28T		
51	FS7-0515-000		1	GEAR, 21T/36T		
52	FS7-0517-000		1	GEAR, 20T		
53	FS7-2261-000		2	SPRING, COMPRESSION		
54	FS7-2262-000		1	SPRING, COMPRESSION		
55	FS7-2265-000		2	SPRING, COMPRESSION		
56	VS1-7177-002		1	CONNECTOR, SNAP TIGHT	J6361	
57	VS1-7177-004		1	CONNECTOR, SNAP TIGHT	J6364	
58	XA9-0596-000		4	SCREW, P, M3X6		
59	XD9-0104-000		1	PIN, DOWEL		
60	XD9-0169-000		1	WASHER, WAVE		

FIGURE & KEY NO.	PARTS NUMBER	RANK	Q'TY	DESCRIPTION	SERIAL NUMBER/REMARKS	SVC
501	XB1-2300-407		2	SCREW,MACH.,TRUSS HEAD,M3X4		
502	XB1-2300-609		26	SCREW,MACH.,TRUSS HEAD,M3X6		
503	XB1-2400-609		1	SCREW,MACH.,TRUSS HEAD,M4X6		
504	XD2-1100-322		1	RING,E		
505	XD2-1100-502		11	RING,E		
506	XD2-1100-642		11	RING,E		
507	XD3-2200-162		3	PIN,DOWEL		

FIGURE 316 MULTI FEED TRAY ASSEMBLY



NOTE: This assembly does not include the part shown with key No.13.
 注：このユニットにKey No. 13の部品は含まれません。

FIGURE & KEY NO.	PARTS NUMBER	R A N K	QTY	DESCRIPTION	SERIAL NUMBER/REMARKS	S V C
Fig.316	FG6-4133-000		1	MULTI FEED TRAY ASSEMBLY		
1	FB1-8619-000		2	RACK		
2	FB1-8621-000		1	PLATE, LOCK		
3	FB1-8625-000		1	GEAR, 18T		
4	FB3-2836-000		2	RING, BELT STOP		
5	FB5-0857-000		1	TRAY, MULTI FEED		
6	FB5-0858-000		1	PANEL, SIDE LIMIT, FRONT		
7	FB5-0859-000		1	PANEL, SIDE LIMIT, REAR		
8	FB5-0892-000		1	TRAY, SLIDE		
9	FB5-0899-000		1	TRAY, SUB		

FIGURE & KEY NO.	PARTS NUMBER	RANK	Q'TY	DESCRIPTION	SERIAL NUMBER/REMARKS	SVC
10	FF5-9256-000		1	PANEL, MULTI FEED TRAY		
11	FG3-0694-000		1	MULTI VARIABLE PCB ASSEMBLY	S46 J6364	
12	FS5-3177-000		1	PULLEY, IDLER		
13	FS6-8862-000		1	LABEL, PAPER SIZE	SEE NOTEAB SIZE	
13	FS6-8863-000		1	LABEL, PAPER SIZE	SEE NOTEA/INCH SIZE	
13	FS6-8864-000		1	LABEL, PAPER SIZE	SEE NOTEA SIZE	
13	FS6-8865-000		1	LABEL, PAPER SIZE	SEE NOTEAB/INCH SIZE	
14	FS6-8866-000		1	LABEL, 'PAPER HEIGHT'		
15	XF9-0393-000		1	BELT, TIMING		
501	XB4-7300-609		3	SCREW,TAPPING,TRUSS HEAD,M3X6		
502	XB4-7401-007		2	SCREW,TAPPING,TRUSS HEAD,M4X10		
503	XD2-2100-502		1	RING,GRIP		

FIGURE 320 VERTICAL PATH GUIDE ASSEMBLY

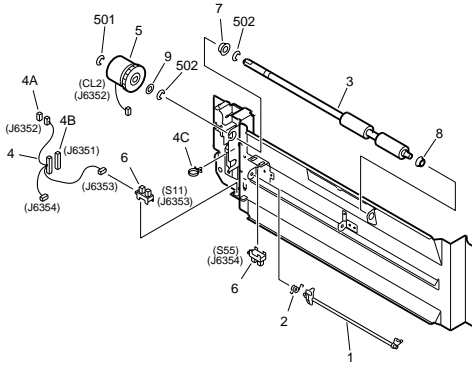
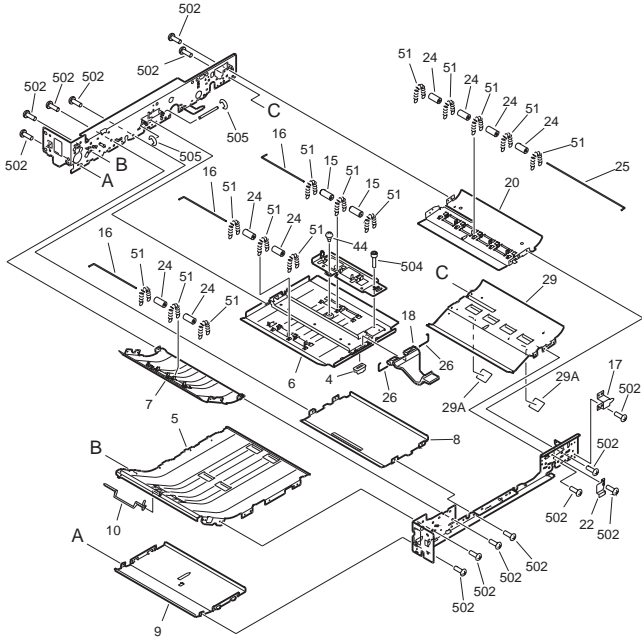


FIGURE & KEY NO.	PARTS NUMBER	R A N K	Q'TY	DESCRIPTION	SERIAL NUMBER/ REMARKS	S V C
Fig.320	FG6-4136-00U		1	RECONDITIONED PATH GUIDE		
1	FB5-1214-00U		1	RECONDITIONED FLAG SENSOR		
2	FB5-1215-000		1	SPRING, TORSION		
3	FB5-1216-000		1	ROLLER, VERTICAL PATH		
4	FG3-0728-000		1	CABLE, VERTICAL PATH	J6351-6354	
4A	VS1-7177-002		1	CONNECTOR, SNAP TIGHT	J6352	
4B	VS1-7177-008		1	CONNECTOR, SNAP TIGHT	J6351	
4C	WT2-5041-000		1	CLAMP, CABLE		
5	FH6-5067-000		1	CLUTCH, ELECTROMAGNETIC	CL2 J6352	
6	WG8-5708-000		2	PHOTO-INTERRUPTER	S11,55 J6353,6354	
7	FS1-1510-000		1	BUSHING		
8	FS1-1512-000		1	BUSHING		
9	XD9-0169-000		1	WASHER, WAVE		
501	XD2-1100-502		1	RING,E		
502	XD2-1100-642		2	RING,E		

FIGURE & KEY NO.	PARTS NUMBER	R A N K	Q'TY	DESCRIPTION	SERIAL NUMBER/ REMARKS	S V C
9	FB5-1201-000		6	HOLDER, SEPARATION CLAW	SEE NOTEDUPLEX TYPE	
10	FB5-1202-000		6	SHAFT, SEPARATION CLAW		
11	FB5-1203-000		6	SHAFT, SEPARATION CLAW HOLDER		
12	FB5-1204-000		6	SPRING, TORSION		
13	FB5-1205-000		6	PLATE, SEP. CLAW SHAFT SUPPORT		
14	FB5-1206-000		1	SHAFT, DELIVERY SENSOR ARM		
15	FB5-1207-000		4	SHAFT, DELIVERY ROLLER		
16	FB5-1209-000		1	SPRING, TORSION		
17	FB5-1210-000		4	SPRING, TORSION		
18	FB5-1603-000		1	HOOK, DELIVERY, FRONT		
19	FB5-1604-000		1	HOOK, DELIVERY, REAR		
20	FB5-1612-000		1	SHAFT, SENSOR ROLLER		
21	FB5-1616-000		1	ROLLER, PAPER DELIVERY		
22	FB5-1617-000		1	SPRING, TORSION		
23	FB5-1618-000		1	ELIMINATOR, STATIC CHARGE		
24	FB5-1656-00U		1	RECONDITIONED GUIDE, DUPLEX		
25	FF5-9311-00U		1	RECONDITIONED PLATE, DELIVERY		
26	FF5-9377-000		1	PANEL, DERIVERY		
27	FF6-0795-000		1	HANDLE, PAPER DELIVERY UNIT		
28	FS1-1508-000		1	BUSHING		
29	FS1-9199-000		1	SCREW, STEPPED, M4		
30	FS2-1008-000		1	BUSHING		
31	FS5-0232-000		1	GEAR, ROLLER		
32	FS7-2354-000		6	SPRING, TENSION		
33	FS7-2359-000		1	SPRING, TENSION		
34	RB2-0493-000		1	ROLLER, PAPER SENSOR		
35	XG9-0423-000		1	BUSHING		
501	XB1-2400-609		8	SCREW, MACH., TRUSS HEAD, M4X6		
502	XB2-4400-805		2	SCREW, W/WASHER, M4X8		
503	XB4-7400-809		3	SCREW, TAPPING, TRUSS HEAD, M4X8		
504	XB6-7300-609		1	SCREW, TP, M3X6		
505	XD2-1100-132		1	RING, E		

FIGURE & KEY NO.	PARTS NUMBER	R A N K	Q'TY	DESCRIPTION	SERIAL NUMBER/ REMARKS	S V C
506	XD2-1100-242		24	RING,E		
507	XD2-1100-322		2	RING,E		
508	XD2-1100-502		1	RING,E		
509	XD2-1100-642		2	RING,E		

FIGURE 360 DUPLEX FEEDER ASSEMBLY (DUPLEX TYPE)



NOTE1: This assembly includes the assembly shown in Figure 267.
 NOTE2: This assembly does not include the parts shown with key No. 18 and 26.
 注1: このユニットはFigure267のユニットを含みます。
 注2: このユニットにKey No. 18、26の部品は含まれません。

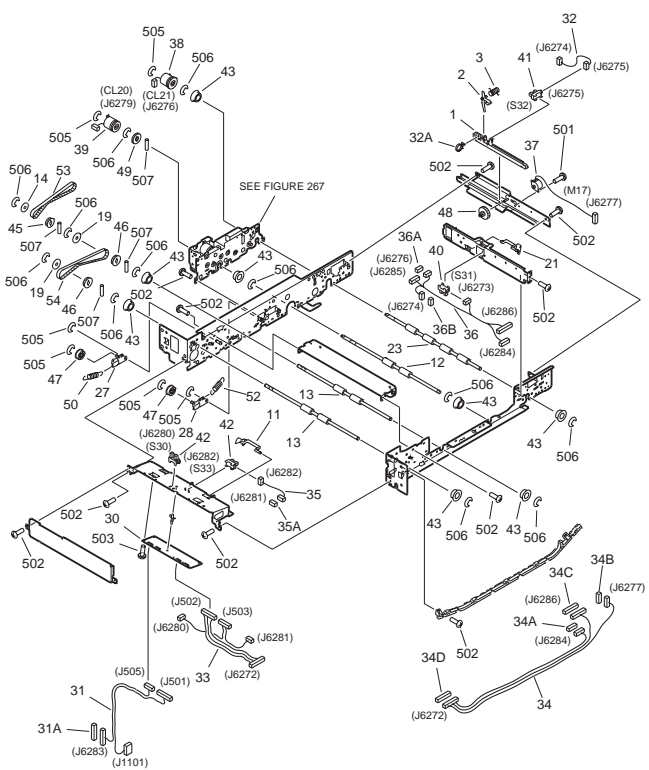


FIGURE & KEY NO.	PARTS NUMBER	RANK	QTY	DESCRIPTION	SERIAL NUMBER/REMARKS	SVC
Fig.360	FG6-4185-000		1	DUPLEX FEEDER ASSEMBLY	DUPLEX TYPESEE NOTE 1	
1	FB3-2994-000		1	BLOCK, SLIDE		
2	FB3-2995-000		1	LINK, SIDE REGISTRATION		
3	FB3-2996-000		1	SPRING, TORSION		
4	FB3-2997-000		1	MAGNET CATCH		
5	FB5-2265-020		1	GUIDE, DUPLEX PAPER, LOWER		
6	FB5-2266-030		1	GUIDE, DUPLEX PAPER, UPPER		
7	FB5-2267-030		1	GUIDE, DUPLEX PAPER INLET		
8	FB5-2268-000		1	GUIDE, PAPER REVERSE UPPER, 1		
9	FB5-2269-000		1	GUIDE, PAPER REVERSE UPPER, 2		

FIGURE & KEY NO.	PARTS NUMBER	R A N K	Q'TY	DESCRIPTION	SERIAL NUMBER/ REMARKS	S V C
10	FB5-2272-000		1	FLAG, DUPLEX INLET SENSOR		
11	FB5-2275-000		1	FLAG, DUPLEX SENSOR, LOWER		
12	FB5-2279-000		1	ROLLER, DUPLEX FEEDER		
13	FB5-2280-000		2	ROLLER, DUPLEX INLET		
14	FB5-2282-000		1	FLANGE		
15	FB5-2283-000		2	ROLLER, 1		
16	FB5-2284-000		3	SHAFT, ROLLER, 1		
17	FB5-2285-000		1	PLATE, POSITIONING		
18	FB5-2288-000		1	HANDLE, DUPLEX OPEN/CLOSE	SEE NOTE 2	
19	FB5-2301-000		2	FLANGE		
20	FB5-2306-020		1	GUIDE, RE-PICK-UP, UPPER		
21	FB5-2308-020		1	FLAG, RE-PICK-UP SENSOR		
22	FB5-2310-000		1	PLATE, CABLE RETAINER		
23	FB5-2311-000		1	ROLLER, RE-PICK-UP		
24	FB5-2312-000		8	ROLLER, 2		
25	FB5-2313-000		1	SHAFT, ROLLER, 2		
26	FB5-2317-000		2	PIN, HINGE	SEE NOTE 2	
27	FF5-9287-000		1	SUPPORT, TENSIONER, 1		
28	FF5-9288-000		1	SUPPORT, TENSIONER, 2		
29	FF6-0789-030		1	GUIDE, RE-PICK-UP, LOWER		
29A	FB5-3931-000		2	SHEET, PAPER GUIDE		
30	FG3-0665-000		1	DUPLEX DRIVER PCB ASSEMBLY		
31	FG3-0747-000		1	CABLE, DUPLEX CONNECTING	J501,505,1101,6283	
31A	VS1-7173-008		1	CONNECTOR, SNAP TIGHT	J6283	
32	FG3-0751-000		1	CABLE, SIDE REGIST. SENSOR	J6274,6275	
32A	WT2-5041-000		1	CLAMP, CABLE		
33	FG3-0752-000		1	CABLE, DUPLEX UNIT, 1	J502,503,6272,6280,J6281	
34	FG3-0753-000		1	CABLE, DUPLEX UNIT, 2	J6272,6277,6284,6286	
34A	VS1-7177-004		1	CONNECTOR, SNAP TIGHT	J6284	
34B	VS1-7440-006		1	CONNECTOR, SNAP TIGHT	J6277	
34C	VS1-7173-008		1	CONNECTOR, SNAP TIGHT	J6286	

FIGURE & KEY NO.	PARTS NUMBER	R A N K	Q'TY	DESCRIPTION	SERIAL NUMBER/ REMARKS	S V C
34D	VS1-7164-020		1	CONNECTOR, SNAP TIGHT	J6272	
35	FG3-0754-000		1	CABLE, DUPLEX REVERSE SENSOR	J6281,6282	
35A	VS1-7177-003		1	CONNECTOR, SNAP TIGHT	J6281	
36	FG3-0763-000		1	CABLE, DUPLEX UNIT, 3	J6273,6274,6276,J6284-6286	
36A	VS1-7177-002		1	CONNECTOR, SNAP TIGHT	J6276	
36B	VS1-7177-003		1	CONNECTOR, SNAP TIGHT	J6274	
37	FK2-0144-000		1	MOTOR, STEPPING, DC24V	M17 J6277	
38	FH6-5067-000		1	CLUTCH, ELECTROMAGNETIC	CL21 J6276	
39	FH7-5918-000		1	CLUTCH, ELECTROMAGNETIC	CL20 J6279	
40	WG8-5708-000		1	PHOTO-INTERRUPTER	S31 J6273	
41	WG8-5708-000		1	PHOTO-INTERRUPTER	S32 J6275	
42	WG8-5708-000		2	PHOTO-INTERRUPTER	S30,33 J6280,6282	
43	FS1-1510-000		8	BUSHING		
44	FS1-9078-020		1	SCREW,STEPPED,M4		
45	FS5-3778-000		1	PULLEY, 38T		
46	FS5-3779-000		2	PULLEY, 43T		
47	FS6-0381-000		2	PULLEY		
48	FS6-0557-000		1	GEAR, 12T/36T		
49	FS7-0591-000		1	GEAR, 28T		
50	FS7-2291-000		1	SPRING, TENSION		
51	FS7-2292-000		14	SPRING, TENSION		
52	FS7-2357-000		1	SPRING, TENSION		
53	XF9-0709-000		1	BELT, TIMING		
54	XF9-0710-000		1	BELT, TIMING		
501	XB1-2300-609		2	SCREW,MACH.,TRUSS HEAD,M3X6		
502	XB1-2400-609		51	SCREW,MACH.,TRUSS HEAD,M4X6		
503	XB1-2400-609		4	SCREW,MACH.,TRUSS HEAD,M4X6		
504	XB7-1040-069		1	SCREW,ALLEN HEAD,M4X6		
505	XD2-1100-502		8	RING,E		
506	XD2-1100-642		12	RING,E		
507	XD3-2200-142		4	PIN,DOWEL		

FIGURE 365 FACE DOWN OUTPUT UNIT-A1/B1(DUPLEX TYPE)

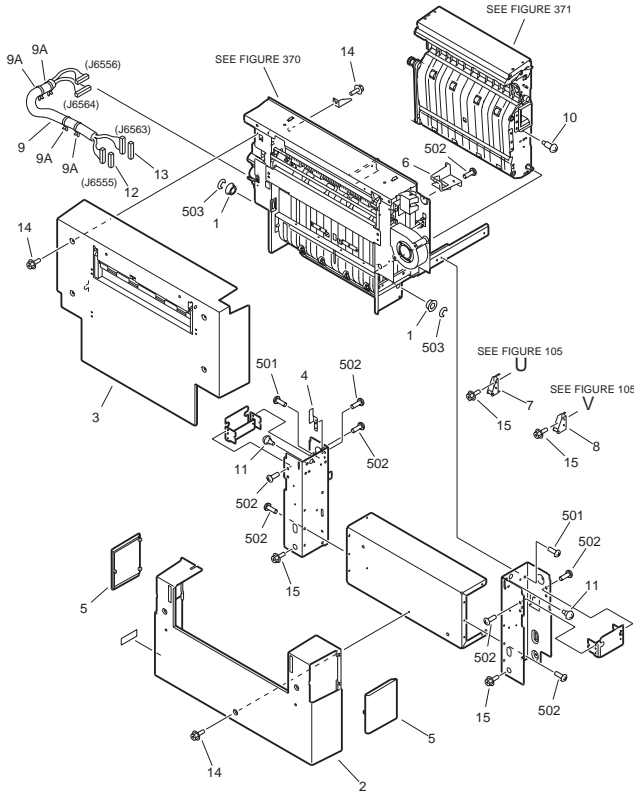


FIGURE & KEY NO.	PARTS NUMBER	RANK	QTY	DESCRIPTION	SERIAL NUMBER/REMARKS	SVC
Fig.365	NPN		RF	FACE DOWN OUTPUT UNIT-A1/B1	DUPLEX TYPE	
1	FA9-2112-000		2	BUSHING		
2	FB5-1678-000		1	PANEL, DUPLEX, 1		
3	FB5-1681-000		1	PANEL, DUPLEX, 2		
4	FB5-1700-000		1	PLATE, SENSOR FLAG		
5	FB5-1731-000		2	PANEL, BLANKING		
6	FB5-3792-000		1	PANEL, DUPLEX, 3		
7	FF6-0619-000		1	HOOK, DUPLEX MOUNT, FRONT		
8	FF6-0620-000		1	HOOK, DUPLEX MOUNT, REAR		
9	FG3-0759-000		1	CABLE, DUPLEX OUTER	J6555,6556,6563,6564	

FIGURE & KEY NO.	PARTS NUMBER	RANK	Q'TY	DESCRIPTION	SERIAL NUMBER/REMARKS	SVC
9A	WT2-5178-000		4	CLIP, CABLE		
10	FS1-9076-020		1	SCREW, STEPPED, M4		
11	FS1-9255-020		2	SCREW, STEPPED, M4		
12	VS1-6318-011		1	CONNECTOR, SNAP TIGHT	J6555	
13	VS1-6318-013		1	CONNECTOR, SNAP TIGHT	J6563	
14	XA9-0629-000		5	SCREW, RS, M4X8		
15	XA9-0774-000		8	SCREW, RS, M4X16		
501	XB1-2400-609		4	SCREW, MACH., TRUSS HEAD, M4X6		
502	XB1-2400-609		15	SCREW, MACH., TRUSS HEAD, M4X6		
503	XD2-1100-642		2	RING, E		

FIGURE 370 FACE DOWN OUTPUT ASSEMBLY 1 (DUPLEX TYPE)

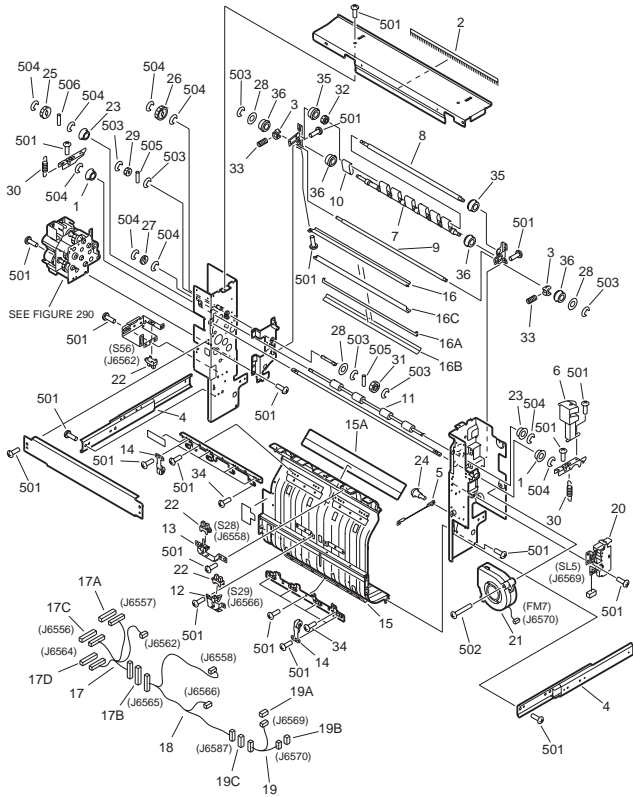


FIGURE & KEY NO.	PARTS NUMBER	R A N K	QTY	DESCRIPTION	SERIAL NUMBER/REMARKS	S V C
Fig.370	NPN		RF	FACE DOWN OUTPUT ASSEMBLY 1	DUPLEX TYPE	
1	FA9-2112-000		2	BUSHING		
2	FA9-3466-000		1	ELIMINATOR, STATIC CHARGE		
3	FB4-4661-000		2	BUSHING		
4	FB5-1668-000		2	RAIL, ACCURATE		
5	FB5-1719-000		1	WIRE, DUPLEX INTERNAL SUPPORT		
6	FB5-1724-000		1	HANDLE		
7	FB5-3863-000		1	SHAFT, CURL RELEASE PULLEY		

FIGURE & KEY NO.	PARTS NUMBER	R A N K	Q'TY	DESCRIPTION	SERIAL NUMBER/ REMARKS	S V C
8	FB5-3864-000		1	SHAFT, CURL RELEASE DRIVE	imageRUNNER C2050imageRUNNER C2020iR C2100/2100SCP2150/2120/2150G	
8	FB6-4288-000		1	SHAFT, CURL RELEASE DRIVE	imageRUNNER C2058iR C2105/2105SCP2155/2125	
9	FB5-3865-000		1	SHAFT, CURL RELEASE PRESSURE		
10	FB5-3871-000		7	BELT, PAPER FEED		
11	FB5-9718-000		1	ROLLER, PAPER DELIVERY		
12	FF5-5792-000		1	MOUNT, PAPER SENSOR		
13	FF5-9341-000		1	MOUNT, DELIVERY SENSOR		
14	FF5-9367-000		8	ROLLER, PAPER DELIVERY		
15	FF5-9379-000		1	GUIDE, DUPLEX PAPER, LEFT		
15A	FB5-3875-000		1	SHEET, MYLAR		
16	FF5-9390-000		1	GUIDE, PAPER LEADING EDGE		
16A	FB5-3876-000		1	PLATE, LEADING EDGE GUIDE		
16B	FB5-3877-000		1	SHEET, MYLAR		
16C	FB5-3895-000		1	SHEET, BELT INTRODUCTION		
17	FG3-0755-000		1	CABLE, DUPLEX DELIVERY CONNECT	J6556,6557,6562,J6564,6565	
17A	VS1-7177-008		1	CONNECTOR, SNAP TIGHT	J6557	
17B	VS1-6318-011		1	CONNECTOR, SNAP TIGHT	J6565	
17C	VS1-7173-012		1	CONNECTOR, SNAP TIGHT	J6556	
17D	VS1-6318-013		1	CONNECTOR, SNAP TIGHT	J6564	
18	FG3-0757-000		1	CABLE, DUPLEX DELIVERY, 1	J6558,6565,6566,6587	
19	FG3-0758-000		1	CABLE, DUPLEX DELIVERY, 2	J6569,6570,6587	
19A	VS1-7177-002		1	CONNECTOR, SNAP TIGHT	J6569	
19B	VS1-7177-003		1	CONNECTOR, SNAP TIGHT	J6570	
19C	VS1-7177-005		1	CONNECTOR, SNAP TIGHT	J6587	
20	FG6-5868-000		1	SOLENOID UNIT	SL5 J6569	
21	FH6-1701-000		1	FAN, COOLING	FM7 J6570	
22	WG8-5708-000		3	PHOTO-INTERRUPTER	S28,29,56J6558,6566,6562	
23	FS1-1508-000		2	BUSHING		

FIGURE & KEY NO.	PARTS NUMBER	R A N K	Q'TY	DESCRIPTION	SERIAL NUMBER/ REMARKS	S V C
24	FS1-9076-020		1	SCREW, STEPPED, M4		
25	FS5-0708-000		1	GEAR, 19T		
26	FS5-0724-000		1	GEAR, 32T		
27	FS5-0804-000		1	GEAR, 19T		
28	FS5-6488-000		8	WASHER		
29	FS6-0689-000		1	GEAR, 17T		
30	FS6-2674-000		2	SPRING, TENSION		
31	FS7-0682-000		1	GEAR, 22T		
32	FS7-0683-000		1	GEAR, 16T		
33	FS7-2361-000		2	SPRING, COMPRESSION		
34	XA9-0687-000		8	SCREW, MACH., TRUSS HEAD, M4X8		
35	XG9-0242-000		2	BEARING, BALL, MR106ZZMC3D4ML		
36	XG9-0291-000		4	BEARING, BALL		
501	XB1-2400-609		52	SCREW, MACH., TRUSS HEAD, M4X6		
502	XB1-2403-509		2	SCREW, MACH., TRUSS HEAD, M4X35		
503	XD2-1100-502		9	RING, E		
504	XD2-1100-642		7	RING, E		
505	XD3-2200-102		2	PIN, DOWEL		
506	XD3-2200-122		2	PIN, DOWEL		

FIGURE 371 FACE DOWN OUTPUT ASSEMBLY 2 (DUPLEX TYPE)

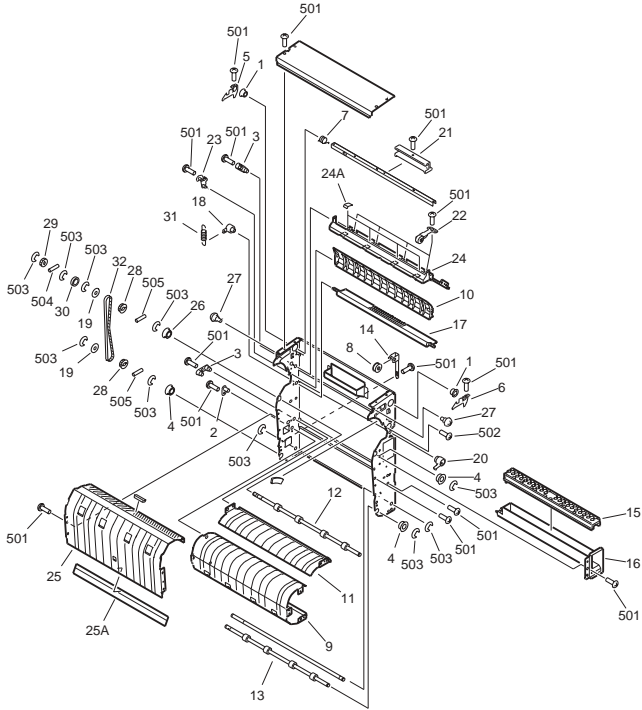


FIGURE & KEY NO.	PARTS NUMBER	R A N K	QTY	DESCRIPTION	SERIAL NUMBER/ REMARKS	S V C
Fig.371	FG6-4191-030		1	FACE DOWN OUTPUT ASSEMBLY 2	DUPLEX TYPE	
1	FA2-8225-000		2	BUSHING		
2	FA4-1149-000		3	PIN, PLATE		
3	FA5-2163-000		3	PIN, GUIDE, 2		
4	FA9-2112-000		3	BUSHING		
5	FB1-7039-000		1	LATCH, REAR		
6	FB1-7040-000		1	LATCH, FRONT		
7	FB1-7045-000		1	SPRING, TORSION		
8	FB3-2588-000		1	ROLLER, TENSIONER		
9	FB5-1653-000		1	GUIDE, DUPLEX PAPER, LOWER		
10	FB5-1655-000		1	GUIDE, DUPLEX PAPER, MIDDLE		
11	FB5-1657-000		1	GUIDE, DUPLEX P., RIGHT LOWER		
12	FB5-1659-000		1	ROLLER, REVERSE, UPPER		

FIGURE & KEY NO.	PARTS NUMBER	R A N K	Q'TY	DESCRIPTION	SERIAL NUMBER/ REMARKS	S V C
13	FB5-1660-000		1	ROLLER, REVERSE, LOWER		
14	FB5-1677-000		1	HOLDER, TENSIONER ROLLER		
15	FB5-1685-000		1	DUCT, CURL RELEASE, UPPER		
16	FB5-1686-000		1	DUCT, CURL RELEASE, LOWER		
17	FB5-1691-020		1	DEFLECTOR		
18	FB5-1699-000		1	LINK, DEFLECTOR		
19	FB5-1716-000		2	FLANGE		
20	FB5-1725-000		1	BUSHING, DEFLECTOR		
21	FB5-3820-000		1	KNOB		
22	FF5-9367-000		4	ROLLER, PAPER DELIVERY		
23	FF5-9380-000		1	PLATE, GUIDE SUPPORT		
24	FF5-9386-000		1	GUIDE, DUPLEX PAPER, UPPER		
24A	FB5-1711-000		4	SHEET, PAPER GUIDE		
25	FF5-9387-020		1	GUIDE, DUPLEX P., RIGHT UPPER		
25A	FB5-1718-000		1	SHEET, DUPLEX REVERSE		
26	FS1-1341-000		1	BUSHING		
27	FS1-9053-020		2	SCREW, STEPPED, M4		
28	FS2-3488-000		2	PULLEY, 32T		
29	FS5-0351-000		1	GEAR, 18T		
30	FS5-6737-000		1	COLLER		
31	FS7-2360-000		1	SPRING, TENSION		
32	XF9-0711-000		1	BELT, TIMING		
501	XB1-2400-609		27	SCREW, MACH., TRUSS HEAD, M4X6		
502	XB4-7300-809		1	SCREW, TAPPING, TRUSS HEAD, M3X8		
503	XD2-1100-642		10	RING, E		
504	XD3-2200-122		1	PIN, DOWEL		
505	XD3-2200-142		2	PIN, DOWEL		

FIGURE 510 DRUM UNIT FRAME ASSEMBLY

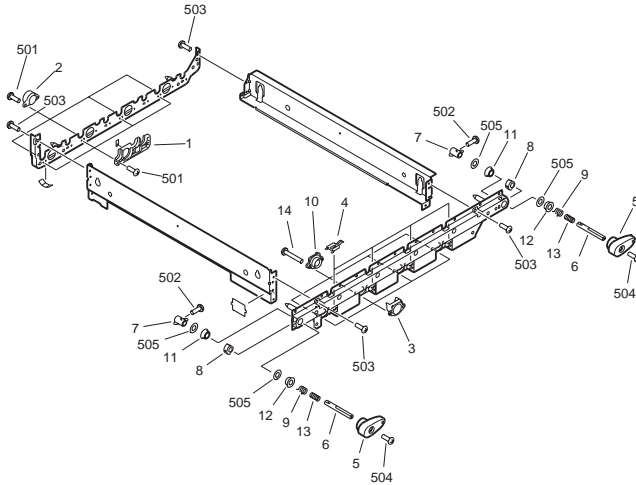


FIGURE & KEY NO.	PARTS NUMBER	RANK	QTY	DESCRIPTION	SERIAL NUMBER/REMARKS	SVC
Fig.510	NPN		RF	DRUM UNIT FRAME ASSEMBLY		
1	FB5-0798-000		4	GUIDE, DRUM UNIT, REAR		
2	FB5-0829-000		4	BUSHING		
3	FB5-0831-000		4	BLOCK, DRUM UNIT GUIDE, FRONT		
4	FB5-0832-000		4	PLATE, DEVELOP GROUNDING		
5	FB5-0834-000		2	HANDLE, DRUM UNIT FRAME		
6	FB5-0835-000		2	SHAFT, DRUM UNIT HANDLE		
7	FB5-0836-000		2	CAM		
8	FB5-0837-000		2	BLOCK, STOPPER		
9	FB5-0838-000		2	SPRING, TORSION		
10	FB5-0840-000		4	GUIDE, KNOB		
11	FS5-1917-000		2	BUSHING		
12	FS5-1918-000		2	BUSHING		
13	FS7-2277-000		2	SPRING, COMPRESSION		
14	XA9-0475-000		8	SCREW, M3X10		
501	XB1-2300-605		16	SCREW,MACH.,TRUSS HEAD,M3X6		
502	XB1-2300-609		2	SCREW,MACH.,TRUSS HEAD,M3X6		
503	XB1-2400-609		8	SCREW,MACH.,TRUSS HEAD,M4X6		
504	XB6-7400-605		2	SCREW,TP,M4X6		

FIGURE & KEY NO.	PARTS NUMBER	R A N K	Q'TY	DESCRIPTION	SERIAL NUMBER/ REMARKS	S V C
505	XD1-1108-215		4	SHIM		

FIGURE 530 TRANSFER LOWER FRAME ASSEMBLY

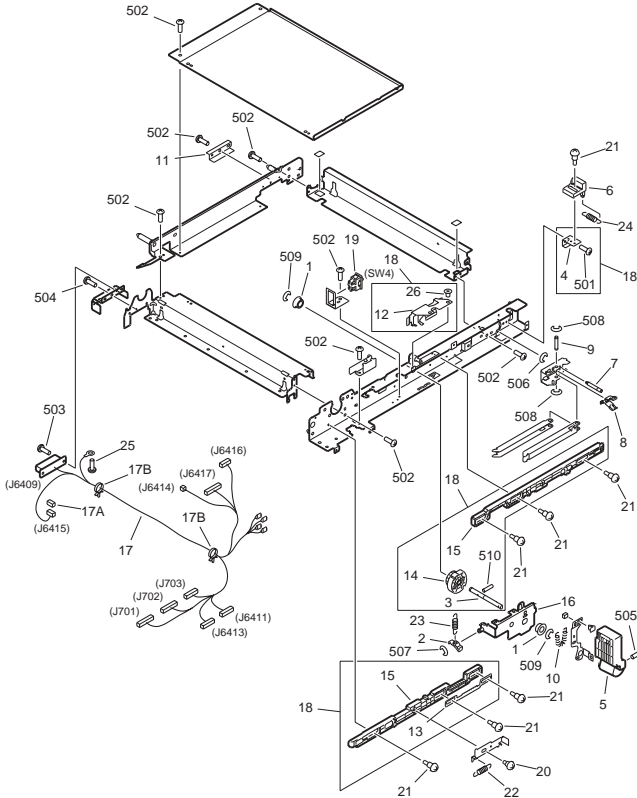


FIGURE & KEY NO.	PARTS NUMBER	RANK	QTY	DESCRIPTION	SERIAL NUMBER/REMARKS	SVC
Fig.530	NPN		RF	TRANSFER LOWER FRAME ASSEMBLY		
1	FA9-2112-000		2	BUSHING		
2	FB5-1234-000		1	BLOCK, LEFT LOCK		
3	FB5-1235-000		1	SHAFT, HANDLE		
4	FB5-1248-020		1	PLATE, RIGHT LOCK SUPPORT		
5	FG6-5873-000		1	HANDLE, TRANSFER LOWER FRAME		
6	FB5-1251-000		1	BLOCK, RIGHT LOCK		
7	FB5-1420-000		1	SCREW, TRANSFER STAND FIXING		
8	FB5-1492-000		1	SPRING, LEAF		
9	FB5-1493-000		1	SHAFT, TRANSFER STANDING		

FIGURE & KEY NO.	PARTS NUMBER	R A N K	Q'TY	DESCRIPTION	SERIAL NUMBER/ REMARKS	S V C
10	FB5-8362-000		1	SPRING, TENSION		
11	FB5-8367-000		1	PLATE, SWING		
12	FB6-4297-000		1	PLATE, AUXILIARY		
13	FB6-4298-000		2	PLATE, RACK		
14	FB6-4299-000		1	CAM GEAR, 30T		
15	FB6-4300-000		2	PLATE, SLIDE LOCK		
16	FF6-0793-000		1	PLATE, SHAFT SUPPORT		
17	FG3-0722-000		1	CABLE, TRANSFER LOWER DRAWER	J701- 703,6409,6411,J6413- 6417	
17A	VS1-7177-002		1	CONNECTOR, SNAP TIGHT	J6415	
17B	WT2-5178-000		3	CLIP, CABLE		
18	FG6-9430-000		1	TRANSFER HANDLE GEAR UNIT		
19	FH7-6315-000		1	SWITCH, LINE INTERRUPT	SW4	
20	FS1-9002-010		1	SCREW, STEPPED, M4		
21	FS1-9073-020		8	SCREW, STEPPED, M4		
22	FS7-2279-000		1	SPRING, TENSION		
23	FS7-2281-000		1	SPRING, TENSION		
24	FS7-2282-000		1	SPRING, TENSION		
25	XA9-0265-010		1	SCREW, W/WASHER, TRUSS HEAD		
26	XA9-0271-000		2	SCREW, M4X6		
501	XB1-2400-609		1	SCREW, MACH, TRUSS HEAD, M4X6		
502	XB1-2400-609		1	SCREW, MACH, TRUSS HEAD, M4X6		
503	XB1-2400-809		2	SCREW, MACH., TRUSS HEAD, M4X8		
504	XB2-8400-806		1	SCREW, W/WASHER, M4X8		
505	XB6-7400-807		1	SCREW, TP, M4X8		
506	XD2-1100-322		1	RING, E		
507	XD2-1100-502		1	RING, E		
508	XD2-1100-502		2	RING, E		
509	XD2-1100-642		2	RING, E		
510	XD3-2300-182		1	PIN, DOWEL		
	XA9-0271-000		2	SCREW, M4X6		
	XA9-0271-000		2	SCREW, M4X6		

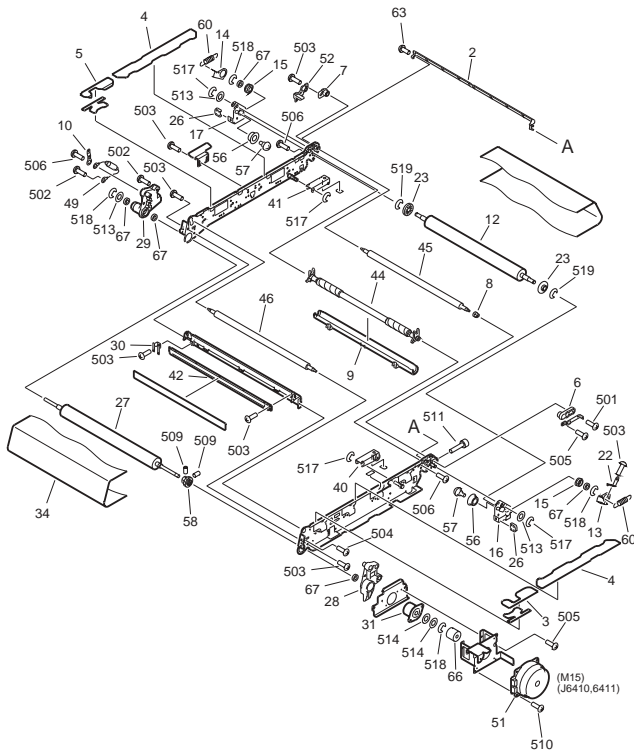


FIGURE & KEY NO.	PARTS NUMBER	RANK	Q'TY	DESCRIPTION	SERIAL NUMBER/REMARKS	SVC
Fig.535	FG6-4157-070		1	TRANSFER ASSEMBLY	imageRUNNER C2050imageRUNNER C2020iR C2100/ 2100SCP2150/2120	
Fig.535	FG6-9302-00U		1	RECONDITIONED TRANSFER ASS'Y	imageRUNNER C2058iR C2105/2105SCP2155/ 2125/2150G	
1	FB5-1279-000		1	MOUNT, HOME POSITION SENSOR		
2	FB5-1280-000		1	GUIDE, TRANSFER		
3	FB5-1284-000		1	SHEET, BELT SUPPORT, FRONT		
4	FB5-1285-000		2	SHEET, COVER		

FIGURE & KEY NO.	PARTS NUMBER	R A N K	Q'TY	DESCRIPTION	SERIAL NUMBER/ REMARKS	S V C
5	FB5-1288-000		1	SHEET, BELT SUPPORT, REAR		
6	FB5-1293-000		1	HOLDER, RIGHT UPPER ROLLER, F.		
7	FB5-1294-000		1	HOLDER, RIGHT UPPER ROLLER, R.		
8	FB5-1295-000		1	BEARING, BALL		
9	FB5-1298-000		1	COVER, SEPARATION ROLLER		
10	FB5-1300-000		1	SPRING, LEAF		
11	FB5-1303-000		1	SPRING, LEAF		
12	FB5-1305-000		1	ROLLER, TENSION		
13	FB5-1306-000		1	PLATE, TENSIONER SUPPORT, F.		
14	FB5-1307-000		1	PLATE, TENSIONER SUPPORT, R.		
15	FB5-1308-000		2	HOLDER, BEARING		
16	FB5-1309-000		1	PLATE, TENSIONER ARM, FRONT		
17	FB5-1310-000		1	PLATE, TENSIONER ARM, REAR		
18	FB5-1311-000		2	PIN, LOCK		
19	FB5-1312-000		1	PLATE, LOCK PIN, FRONT		
20	FB5-1313-000		1	PLATE, LOCK PIN, REAR		
21	FB5-1314-000		2	LEVER, LOCK RELEASE		
22	FB5-1315-000		1	SPRING, GROUNDING		
23	FB5-1316-000		2	GUIDE, RIB LIMIT		
24	FB5-1317-020		1	SPRING, GROUNDING		
25	FB5-1318-000		2	SPRING, LEAF		
26	FB5-1319-000		2	GUIDE, THRUST		
27	FB5-1320-000		1	ROLLER, DRIVE		
28	FB5-1322-000		1	HOLDER, DRIVE ROLLER, FRONT		
29	FB5-1323-000		1	HOLDER, DRIVE ROLLER, REAR		
30	FB5-1324-000		1	SPRING, GROUNDING		
31	FB5-1325-000		1	HOLDER, LOWER DRIVE PLATE		
32	FB5-1331-000		1	ARM, HOME POSITION SENSOR		
33	FB5-1333-000		1	SPRING, TORSION		
34	FB5-3929-000		1	BELT, TRANSFER		
35	FB5-3939-000		2	BLOCK, POSITIONING, 1		
36	FB5-3940-000		2	BLOCK, POSITIONING, 2		

FIGURE & KEY NO.	PARTS NUMBER	R A N K	Q'TY	DESCRIPTION	SERIAL NUMBER/ REMARKS	S V C
37	FB5-8341-000		2	PLATE, SPRING SUPPORT		
38	FB5-8342-000		2	PLATE, SPRING HOOK		
39	FF5-9324-000		3	CROSSMEMBER, BLADE		
39A	FB2-0573-000		1	ELIMINATOR, STATIC CHARGE		
40	FF5-9325-000		1	ARM, CAM FOLLOWER, FRONT		
41	FF5-9326-000		1	ARM, CAM FOLLOWER, REAR		
42	FF5-9327-000		1	CASE, BELT SCRAPER		
43	FF6-0800-000		1	CROSSMEMBER, BLADE		
44	FF6-0986-000		1	ROLLER, SEPARATION, LOWER		
45	FF6-0987-000		1	ROLLER, SEPARATION, UPPER		
46	FF6-0988-000		1	ROLLER, SEPARATION, LEFT UPPER		
47	FG3-0651-000		1	H. V. TRANSFER PCB ASSEMBLY	imageRUNNER C2050imageRUNNER C2020iR C2100/ 2100SCP2150/2120	
47	FG3-0652-000		1	H. V. TRANSFER PCB ASSEMBLY	imageRUNNER C2058iR C2105/2105SCP2155/ 2125/2150G	
48	FG3-0723-000		1	CABLE, TRANSFER UNIT	J4201- 4203,4206,J6414,6416- 6418	
48A	VS1-7177-002		1	CONNECTOR, SNAP TIGHT	J6414	
48B	VS1-6318-016		1	CONNECTOR, SNAP TIGHT	J6417	
49	FG3-0761-000		1	CABLE, TRANSFER VARISTOR		
50	FG6-4159-030		4	TRANSFER BLADE UNIT		
51	FG6-7790-000		1	MOTOR UNIT	M15 J6410,6411	
52	FH2-9238-000		1	CONNECTOR, SEPARATION H.V.T.		
53	FH2-9239-000		1	CONNECTOR, SEP. POWER SUPPLY		
54	FH2-9240-000		2	CONNECTOR, H. V. TRANSFER		
55	WG8-5708-000		1	PHOTO-INTERRUPTER	S51 J6418	
56	FS1-1413-000		2	BUSHING		
57	FS1-9102-020		2	SCREW, STEPPED, M3		
58	FS7-0556-000		1	GEAR, 27T		
59	FS7-2268-000		2	SPRING, COMPRESSION		
60	FS7-2269-000		2	SPRING, TENSION		

FIGURE & KEY NO.	PARTS NUMBER	RANK	Q'TY	DESCRIPTION	SERIAL NUMBER/REMARKS	SVC
61	FS7-2545-000		2	SPRING, TENSION		
62	FS7-2546-000		2	SPRING, COMPRESSION		
63	XA9-0385-000		2	SCREW, W/WASHER, TRUSS HEAD		
64	XA9-0605-000		4	SCREW,M4X8		
65	XA9-0606-000		3	SCREW,P,M4X10		
66	XF9-0708-000		1	COUPLING		
67	XG9-0415-000		5	BEARING, BALL		
501	XB1-2300-405		5	SCREW,MACH.,TRUSS HEAD,M3X4		
502	XB1-2300-607		3	SCREW,MACH.,TRUSS HEAD,M3X6		
503	XB1-2300-609		32	SCREW,MACH,TRUSS HEAD,M3X6		
504	XB1-2400-809		2	SCREW,MACH.,TRUSS HEAD,M4X8		
505	XB2-8300-609		3	SCREW,W/WASHER,M3X6		
506	XB4-7300-807		4	SCREW,TAPPING,TRUSS HEAD,M3X8		
507	XB4-7301-009		1	SCREW,TAPPING,TRUSS HEAD,M3X10		
508	XB4-7301-607		1	SCREW, TAP TIGHT, BINDING HEAD		
509	XB6-2300-609		2	SETSCREW,M3X6		
510	XB6-7300-809		4	SCREW,TP,M3X8		
511	XB7-1030-109		1	SCREW,ALLEN HEAD,M3X10		
512	XD1-1106-225		2	SHIM		
513	XD1-1108-215		3	SHIM		
514	XD1-1108-225		2	SHIM		
515	XD2-1100-322		1	RING,E		
516	XD2-1100-322		4	RING,E		
517	XD2-1100-502		6	RING,E		
518	XD2-1100-642		4	RING,E		
519	XD2-1100-802		2	RING,E		
	XA9-0385-000		2	SCREW,W/WASHAER,M3X6		

FIGURE 580 SEPARATION CORONA ASSEMBLY

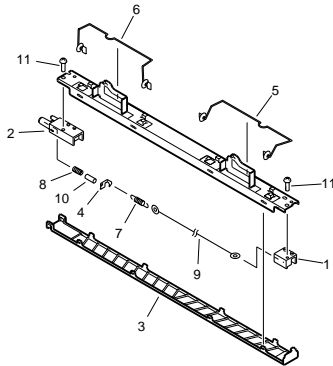


FIGURE & KEY NO.	PARTS NUMBER	R A N K	QTY	DESCRIPTION	SERIAL NUMBER/ REMARKS	S V C
Fig.580	FG6-4167-000		1	SEPARATION CORONA ASSEMBLY		
1	FB5-1364-000		1	BLOCK, TRANSFER, FRONT		
2	FB5-1365-000		1	BLOCK, TRANSFER, REAR		
3	FB5-1366-000		1	COVER, SHIELD		
4	FB5-1370-000		1	PLATE, TERMINAL		
5	FF6-0629-000		1	ROWEL		
6	FF6-0630-000		1	ROWEL		
7	FS2-2551-000		1	SPRING, TENSION		
8	FS7-2358-000		1	SPRING, COMPRESSION		
9	FY3-0040-000		1	WIRE, CORONA, 0.06MM (20M)		
10	VR7-9240-103		1	RESISTOR, 10KOHM, 1/2W		
11	XA9-0596-000		2	SCREW,P,M3X6		

FIGURE 620 HOPPER ASSEMBLY

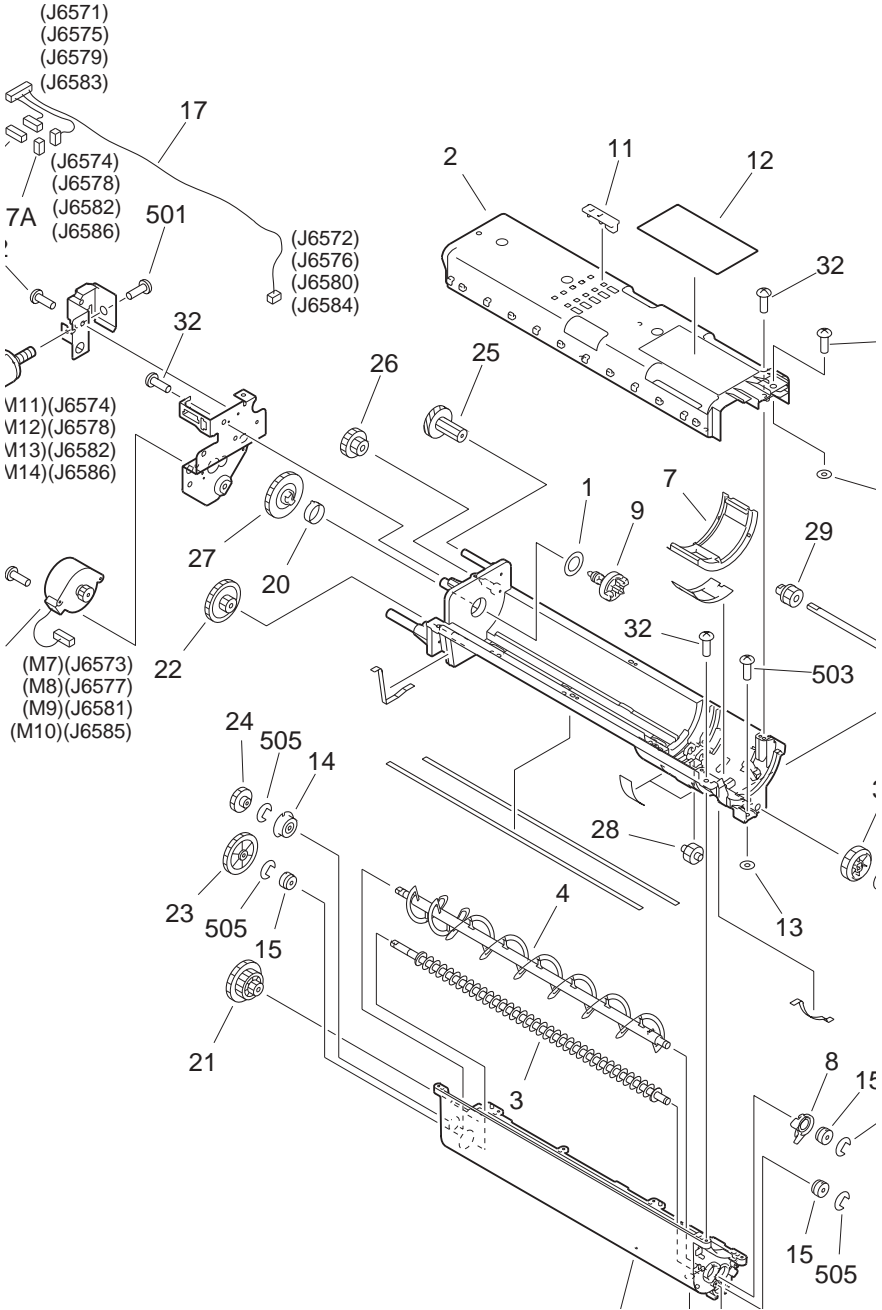


FIGURE & KEY NO.	PARTS NUMBER	R A N K	Q'TY	DESCRIPTION	SERIAL NUMBER/ REMARKS	S V C
Fig.620	FG6-4143-000		4	HOPPER ASSEMBLY		
1	FB2-3843-000		1	WASHER		
2	FB5-0998-000		1	COVER, HOPPER		
3	FB5-1000-000		1	SCREW, TONER FEED		
4	FB5-1001-000		1	BLADE, STIRRING		
5	FB5-1002-000		1	SHUTTER, 1		
6	FB5-1004-000		1	HOLDER, SPRING		
7	FB5-1005-000		1	SHUTTER, 2		
8	FB5-1007-000		1	BLOCK, WIPER		
9	FB5-1008-000		1	COUPLING		
10	FB5-1014-000		1	PLATE, SENSOR GROUNDING		
11	FB5-1017-000		4	BLOCK, HOPPER STOPPER	SEE NOTE	
12	FB5-3898-000		1	LABEL, 'CAUTION, HOPPER'		
13	FC2-2121-000		2	WASHER		
14	FF5-2128-000		1	BUSHING, FEED SCREW		
15	FF5-4081-000		3	BUSHING		
16	FG3-0698-000		1	TONER CARTRIDGE MOTOR UNIT	M11- 14J6574,6578,6582,6586	
17	FG3-0732-000		1	CABLE, HOPPER	J6571-6586	
17A	VS1-7177-002		1	CONNECTOR, SNAP TIGHT	J6574,6578,6582,6586	
17B	VS1-7440-006		1	CONNECTOR, SNAP TIGHT	J6573,6577,6581,6585	
18	FH6-1697-000		1	MOTOR, STEPPING	M7- 10J6573,6577,6581,6585	
19	FH7-7422-000		1	SENSOR, TONER	S20- 23J6572,6576,6580,6584	
20	FS1-1594-000		1	BUSHING		
21	FS7-0568-000		1	GEAR, 18T/30T/45T		
22	FS7-0569-000		1	GEAR, 15T/62T		
23	FS7-0570-000		1	GEAR, 45T		
24	FS7-0571-000		1	GEAR, 25T		
25	FS7-0573-000		1	GEAR, 18T/45T		
26	FS7-0574-000		1	GEAR, 16T/40T		
27	FS7-0575-000		1	GEAR, 50T		

FIGURE & KEY NO.	PARTS NUMBER	R A N K	Q'TY	DESCRIPTION	SERIAL NUMBER/ REMARKS	S V C
28	FS7-0581-000		1	GEAR, 14T		
29	FS7-0582-000		1	GEAR, 14T		
30	FS7-0583-000		1	GEAR, 22T		
31	FS7-2267-000		1	SPRING, COMPRESSION		
32	XA9-0475-000		13	SCREW, M3X10		
33	XA9-0596-000		1	SCREW,P,M3X6		
34	XA9-0614-000		2	SCREW,P,M3X8		
501	XB1-2260-407		2	SCREW,MACH.,TRUSS HEAD,M2.6X4		
502	XB1-2300-609		5	SCREW,MACH.,TRUSS HEAD,M3X6		
503	XB1-2400-609		2	SCREW,MACH.,TRUSS HEAD,M4X6		
504	XD2-1100-322		1	RING,E		
505	XD2-1100-502		5	RING,E		
35	FB5-1006-000		1	SEAL HC		

FIGURE 710 TRANSFER BELT CLEANING ASSEMBLY

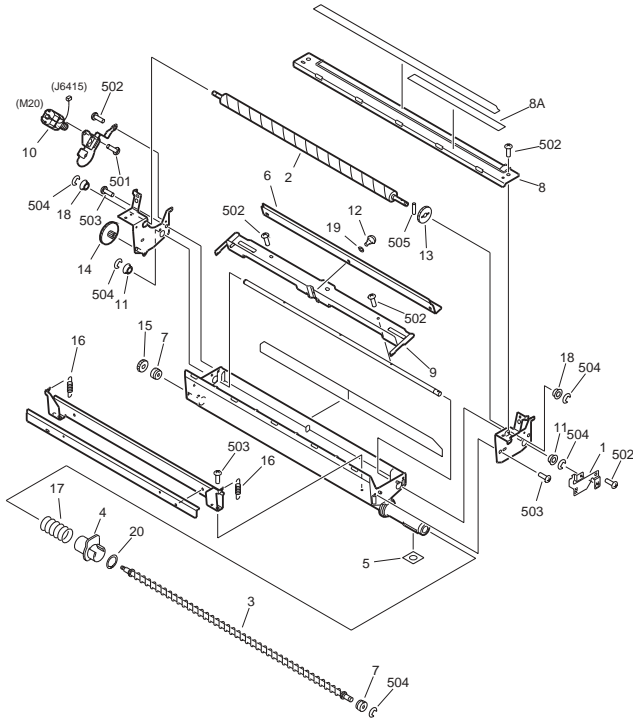


FIGURE & KEY NO.	PARTS NUMBER	RANK	QTY	DESCRIPTION	SERIAL NUMBER/REMARKS	S V C
Fig.710	FG6-9427-00U		1	RECONDITIONED CLEANER ASS'Y		
1	FB5-1379-000		1	PLATE, GROUNDING		
2	FB5-1380-000		1	ROLLER, CLEANING BRUSH		
3	FB5-1390-000		1	FEED SCREW, WASTE TONER		
4	FB5-1396-000		1	BLOCK, SHUTTER		
5	FB5-1404-000		1	SEAL, SHUTTER		
6	FB6-4294-000		1	BLADE, CLEANING		
7	FF5-4081-000		2	BUSHING		
8	FF5-9314-000		1	COVER, CASE		
8A	FS6-8881-000		1	LABEL, 'WARNING, HIGH TEMP.'		
9	FF6-2239-020		1	HOLDER, BLADE		
10	FG3-0676-000		1	WASTE TONER MOTOR UNIT	M20 J6415	
11	FS1-1206-000		2	BUSHING		

FIGURE & KEY NO.	PARTS NUMBER	RANK	Q'TY	DESCRIPTION	SERIAL NUMBER/REMARKS	SVC
12	FS1-9010-020		1	SCREW, STEPPED, M3		
13	FS7-0576-000		1	GEAR, 27T		
14	FS7-0577-000		1	GEAR, 12T/50T		
15	FS7-0579-000		1	GEAR, 25T		
16	FS7-2284-000		2	SPRING, TENSION		
17	FS7-2285-000		1	SPRING, COMPRESSION		
18	RS1-1042-000		2	BUSHING		
19	XD9-0079-000		1	WASHER, WAVE		
20	XD9-0194-000		1	RING,C,INTERNAL		
501	XB1-2200-309		2	SCREW,MACH.,TRUSS HEAD,M2X3		
502	XB1-2300-609		8	SCREW,MACH.,TRUSS HEAD,M3X6		
503	XB4-7300-809		6	SCREW,TAPPING,TRUSS HEAD,M3X8		
504	XD2-1100-502		5	RING,E		
505	XD3-2200-122		1	PIN,DOWEL		

FIGURE 770 WASTE TONER ASSEMBLY

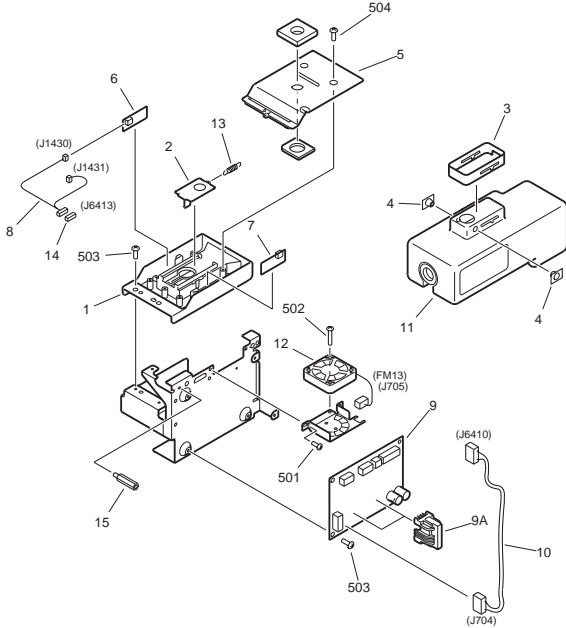
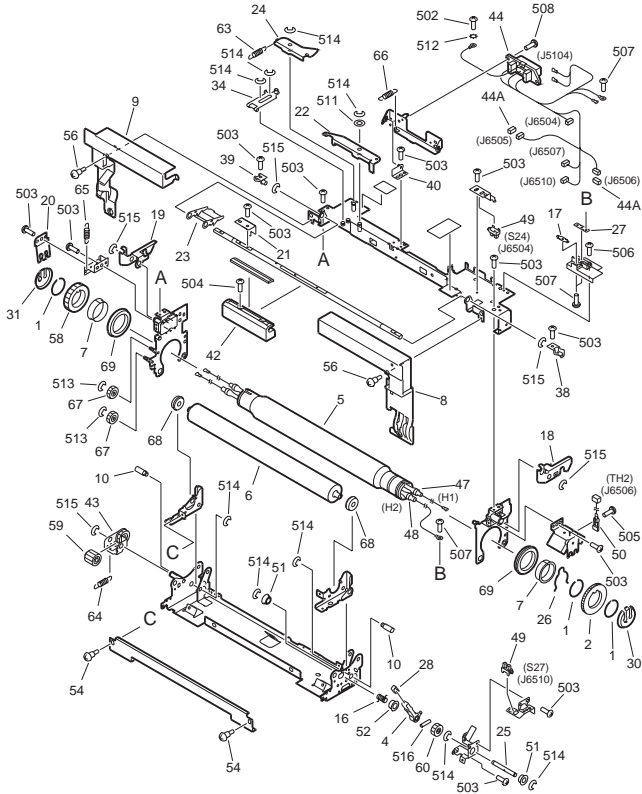


FIGURE & KEY NO.	PARTS NUMBER	R A N K	Q'TY	DESCRIPTION	SERIAL NUMBER/ REMARKS	S V C
Fig.770	FG6-7791-000		1	WASTE TONER ASSEMBLY		
1	FB5-1395-000		1	HOLDER, SENSOR		
2	FB5-1397-000		1	FLAG, SENSOR		
3	FB5-1407-000		1	CAP. SENSOR		
4	FB5-9728-000		2	COVER, WASTE TONER SHIELD		
5	FF5-9316-000		1	COVER, SENSOR		
6	FG3-0692-000		1	REMNANT SENSOR RADIANT P. UNIT	J1430	
7	FG3-0693-000		1	REMNANT SENSOR RECEIVE P. UNIT	J1431	
8	FG3-0724-000		1	CABLE, WASTE TONER SENSOR	J1430,1431,6413	
9	FG3-0820-000		1	TRANSFER BELT AC PCB ASSEMBLY		
9A	FH3-0963-000		2	TRANSFORMER		
10	FG6-0822-000		1	CABLE, H. V. TRANSFER MOTOR	J704,6410	
11	FG6-6795-020		1	WASTE TONER CASE UNIT		
12	FH6-1486-020		1	FAN, COOLING	FM13 J705	
13	FS7-2286-000		1	SPRING, TENSION		

FIGURE & KEY NO.	PARTS NUMBER	RANK	Q'TY	DESCRIPTION	SERIAL NUMBER/REMARKS	SVC
14	VS1-7173-007		1	CONNECTOR, SNAP TIGHT	J6413	
15	VT2-5169-025		1	SPACER		
501	XB1-2300-609		2	SCREW,MACH.,TRUSS HEAD,M3X6		
502	XB1-2301-409		2	SCREW,MACH.,TRUSS HEAD,M3X14		
503	XB1-2400-609		9	SCREW,MACH.,TRUSS HEAD,M4X6		
504	XB4-7300-809		2	SCREW,TAPPING,TRUSS HEAD,M3X8		

FIGURE 810 FIXING ASSEMBLY



NOTE: This assembly includes the assembly shown in Figure 830.
 注：このユニットはFigure830のユニットを含みます。

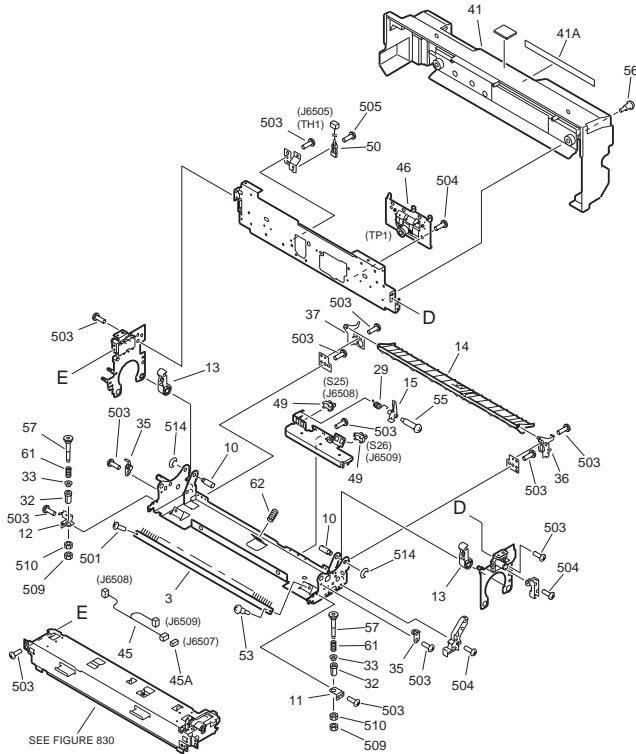


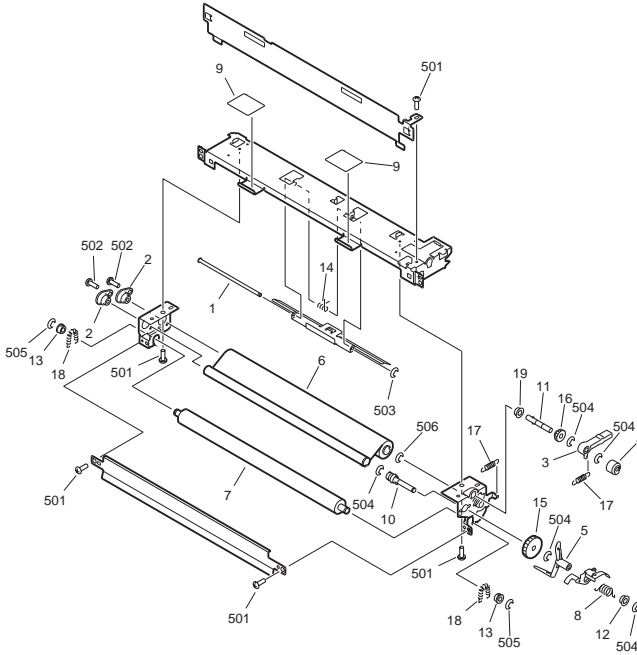
FIGURE & KEY NO.	PARTS NUMBER	RANK	QTY	DESCRIPTION	SERIAL NUMBER/REMARKS	SVC
Fig.810	FG6-4170-000		1	FIXING ASSEMBLY	100VSEE NOTE	
Fig.810	FG6-4171-000		1	FIXING ASSEMBLY	120VSEE NOTE	
Fig.810	FG6-4172-000		1	FIXING ASSEMBLY	220/240VSEE NOTE	
1	FC6-7022-000		3	RING, RETAINING		
2	FB1-6825-000		1	GEAR, 52T		
3	FB1-7234-000		1	ELIMINATOR, STATIC CHARGE		
4	FB4-6646-000		1	ARM, ONE-WAY		
5	FB5-1131-000		1	ROLLER, FIXING		
6	FB5-1132-000		1	ROLLER, PRESSURE		
7	FB5-1134-000		2	BUSHING		
8	FB5-1139-000		1	PANEL, DELIVERY UPPER, FRONT		

FIGURE & KEY NO.	PARTS NUMBER	RANK	Q'TY	DESCRIPTION	SERIAL NUMBER/REMARKS	SVC
9	FB5-1140-000		1	PANEL, DELIVERY UPPER, REAR		
10	FB5-1144-000		4	SHAFT, PRESSURE		
11	FB5-1146-000		1	HOLDER, PRESSURE, FRONT		
12	FB5-1147-000		1	HOLDER, PRESSURE, REAR		
13	FB5-1148-000		2	LEVER, PRESSURE RELEASE		
14	FB5-1152-000		1	GUIDE, FIXING INLET		
15	FB5-1155-000		1	FLAG, FIXING INLET SENSOR		
16	FB5-1168-000		1	SPRING, TORSION		
17	FB5-1171-000		1	TERMINAL, 2		
18	FB5-1172-000		1	HOOK, FIXING, FRONT		
19	FB5-1173-000		1	HOOK, FIXING, REAR		
20	FB5-1180-000		1	SPRING, LEAF		
21	FB5-1183-000		1	PLATE, SWITCH RELEASE		
22	FB5-1184-000		1	LEVER, DELIVERY SWITCH		
23	FB5-1187-000		1	LEVER, FIXING LOCK		
24	FB5-1190-000		1	PLATE, SWITCH ARM		
25	FB5-1555-000		1	SHAFT, JAM RESET LEVER		
26	FB5-1558-000		1	RING, RETAINING		
27	FB5-1559-000		1	TERMINAL, 3		
28	FB5-1562-020		1	SEAL, JAM RESET		
29	FB5-1564-000		1	SPRING, TORSION		
30	FB5-1565-000		1	COVER, HEATER, FRONT		
31	FB5-1566-000		1	COVER, HEATER, REAR		
32	FB5-1569-000		2	SCREW, PRESSURE ADJUSTING		
33	FB5-1570-000		2	SPACER, PRESSURE		
34	FF5-9295-000		1	PLATE, SLIDE LEVER		
35	FF5-9298-000		2	PLATE, FIXING POSITIONING		
36	FF5-9299-000		1	HOLDER, INLET GUIDE, FRONT		
37	FF5-9300-000		1	HOLDER, INLET GUIDE, REAR		
38	FF5-9305-000		1	SUPPORT, HOOK LEVER, FRONT		
39	FF5-9306-000		1	SUPPORT, HOOK LEVER, REAR		
40	FF5-9308-000		1	PLATE, CONNECTOR SHAFT MOUNT		

FIGURE & KEY NO.	PARTS NUMBER	R A N K	Q'TY	DESCRIPTION	SERIAL NUMBER/ REMARKS	S V C
41	FF5-9376-000		1	COVER, FIXING		
41A	FS6-8902-000		1	LABEL, 'WARNING HIGH TEMP.'		
42	FF6-0795-000		1	HANDLE, PAPER DELIVERY UNIT		
43	FF6-0802-000		1	ARM, DRIVE INLET		
44	FG3-0715-000		1	CABLE, FIXING DRAWER	J5104,6504-6507,6510	
44A	VS1-7177-002		2	CONNECTOR, SNAP TIGHT	J6505,6506	
45	FG3-0716-000		1	CABLE, FIXING SENSOR	J6507-6509	
45A	VS1-7440-006		1	CONNECTOR, SNAP TIGHT	J6507	
46	FG6-6798-000		1	THERMOSWITCH UNIT	TP1	
47	FH7-4640-000		1	HEATER, HALOGEN, MAIN	100VH1	
47	FH7-4642-000		1	HEATER, HALOGEN, MAIN	120VH1	
47	FH7-4644-000		1	HEATER, HALOGEN, MAIN	220/240VH1	
48	FH7-4641-000		1	HEATER, HALOGEN, SUB	100VH2	
48	FH7-4643-000		1	HEATER, HALOGEN, SUB	120VH2	
48	FH7-4645-000		1	HEATER, HALOGEN, SUB	220/240VH2	
49	WG8-5708-000		4	PHOTO-INTERRUPTER	S24-27J6504,6508-6510	
50	FH7-7519-000		2	THERMISTOR UNIT	TH1,2 J6505,6506	
51	FS1-1508-000		2	BUSHING		
52	FS1-1512-000		1	BUSHING		
53	FS1-9120-020		1	SCREW, STEPPED, M3		
54	FS2-9267-020		2	SCREW, STEPPED, M4		
55	FS5-9212-020		1	SCREW, STEPPED, M3		
56	FS5-9213-020		8	SCREW, STEPPED, M4X7		
57	FS5-9611-000		2	SCREW, STEPPED, M4		
58	FS7-0584-000		1	GEAR, 46T		
59	FS7-0586-000		1	GEAR, 19T		
60	FS7-0587-000		1	GEAR, 18T		
61	FS7-2295-000		2	SPRING, COMPRESSION		
62	FS7-2296-000		1	SPRING, COMPRESSION		
63	FS7-2297-000		1	SPRING, TENSION		
64	FS7-2298-000		1	SPRING, TENSION		
65	FS7-2309-000		1	SPRING, TENSION		

FIGURE & KEY NO.	PARTS NUMBER	RANK	Q'TY	DESCRIPTION	SERIAL NUMBER/REMARKS	SVC
66	FS7-2310-000		1	SPRING, TENSION		
67	RS5-0751-000		2	GEAR, 18T		
68	XG9-0182-000		2	BEARING, BALL		
69	XG9-0422-000		2	BEARING, BALL		
501	XB1-2300-609		1	SCREW,MACH.,TRUSS HEAD,M3X6		
502	XB1-2400-607		1	SCREW,MACH.,TRUSS HEAD,M4X6		
503	XB1-2400-609		31	SCREW,MACH.,TRUSS HEAD,M4X6		
504	XB2-4400-805		6	SCREW,W/WASHER,M4X8		
505	XB2-8301-005		2	SCREW,W/WASHER,M3X10		
506	XB2-8400-609		1	SCREW,W/WASHER,M4X6		
507	XB2-8400-806		4	SCREW,W/WASHER,M4X8		
508	XB2-8401-009		2	SCREW,W/WASHER,M4X10		
509	XB7-2100-309		2	NUT,HEX,M3		
510	XB7-2200-609		2	NUT,HEX,M6		
511	XD1-1106-235		1	SHIM		
512	XD1-4200-402		1	WASHER,TOOTHED LOCK		
513	XD2-1100-322		2	RING,E		
514	XD2-1100-502		11	RING,E		
515	XD2-1100-642		3	RING,E		
516	XD3-2200-122		1	PIN,DOWEL		

FIGURE 830 FIXING ROLLER CLEANING ASSEMBLY



NOTE: This assembly is included in the assembly shown in Figure 810.
注：このユニットはFigure810のユニットに含まれます。

FIGURE & KEY NO.	PARTS NUMBER	RANK	Q'TY	DESCRIPTION	SERIAL NUMBER/REMARKS	SVC
Fig.830	FG6-4169-000		1	FIXING ROLLER CLEANING ASS'Y	SEE NOTE	
1	FA6-3071-020		1	ROD, PLATE MOUNTING		
2	FB2-1371-000		2	HOLDER, CLEANING ROLLER		
3	FB4-6646-000		1	ARM, ONE-WAY		
4	FB4-6647-000		1	BUSHING		
5	FB5-1629-000		1	FLAG, ROLL REMNANT SENSOR		
6	FB5-1637-000		1	ROLL, CLEANING		
7	FB5-1631-000		1	ROLLER, PRESSURE		
8	FB5-1633-000		1	SPRING, TORSION		
9	FB5-1634-000		2	SEAL, HANDLE		

FIGURE & KEY NO.	PARTS NUMBER	R A N K	Q'TY	DESCRIPTION	SERIAL NUMBER/ REMARKS	S V C
10	FF5-9318-000		1	SHAFT, CLEANING ROLL		
11	FF5-9319-000		1	SHAFT, CLEANING ROLL ARM		
12	FS1-1508-000		2	BUSHING		
13	FS2-1256-000		2	BUSHING		
14	FS5-2586-000		1	SPRING, TORSION		
15	FS7-0163-000		1	GEAR, 46T		
16	FS7-0164-000		1	GEAR, 22T		
17	FS7-2298-000		2	SPRING, TENSION		
18	FS7-2362-000		2	SPRING, TENSION		
19	RS1-1016-000		1	BUSHING		
501	XB1-2400-409		5	SCREW,MACH.,TRUSS HEAD,M4X4		
502	XB2-4400-805		2	SCREW,W/WASHER,M4X8		
503	XD2-1100-322		1	RING,E		
504	XD2-1100-502		5	RING,E		
505	XD2-1100-642		2	RING,E		
506	XD2-1100-802		1	RING,E		

FIGURE 910 DC POWER SUPPLY PCB ASSEMBLY

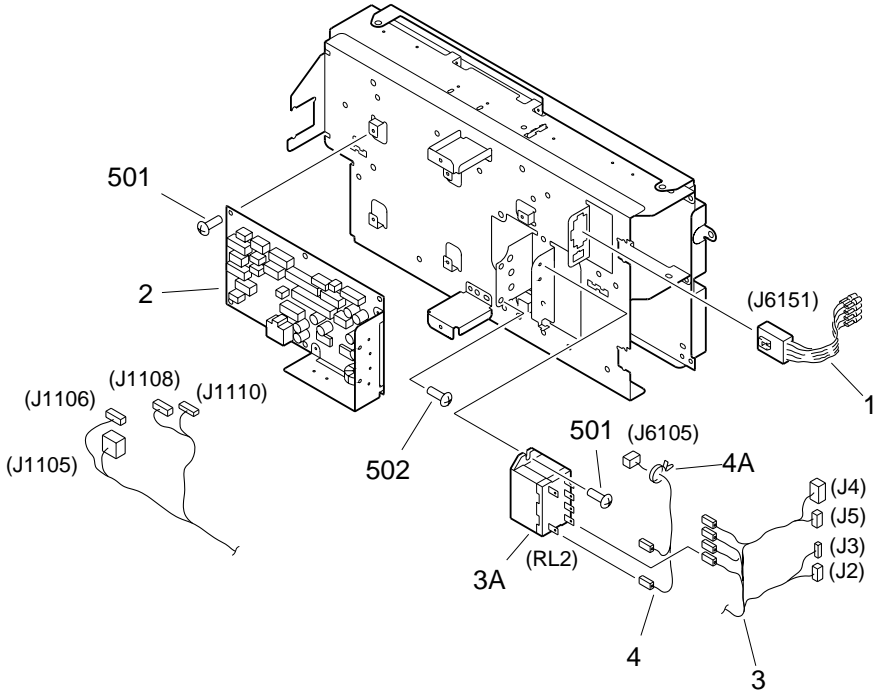


FIGURE & KEY NO.	PARTS NUMBER	R A N K	QTY	DESCRIPTION	SERIAL NUMBER/ REMARKS	S V C
Fig.910	FG6-4241-000		1	DC POWER SUPPLY PCB ASSEMBLY	100/120V	
Fig.910	FG6-4242-000		1	DC POWER SUPPLY PCB ASSEMBLY	220/240V	
1	FF3-3826-000		1	CABLE, +5V	J6,6151	
2	FG3-0662-000		1	POWER SUPPLY PCB ASSEMBLY	100/120V	
2	FG3-0673-000		1	POWER SUPPLY PCB ASSEMBLY	220/240V	
3	FG3-0712-000		1	CABLE, POWER SUPPLY	J2- 5,1105,1106,1108&J1110	
3A	FH7-6307-000		1	RELAY	RL2	
4	FG3-0750-000		1	CABLE, DC RELAY	J6105	
4A	WT2-5178-000		1	CLIP, CABLE		
501	XB1-2400-607		3	SCREW,MACH.,TRUSS HEAD,M4X6		
502	XB1-2400-607		7	SCREW,MACH.,TRUSS HEAD,M4X6		

FIGURE 915 DRUM MOTOR DRIVER PCB ASSEMBLY

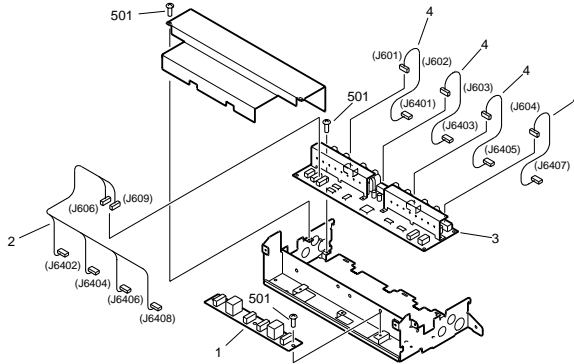


FIGURE & KEY NO.	PARTS NUMBER	R A N K	QTY	DESCRIPTION	SERIAL NUMBER/REMARKS	S V C
Fig.915	FG6-4206-000		1	DRUM MOTOR DRIVER PCB ASSEMBLY		
1	FG3-0654-000		1	LED EXPOSURE POWER PCB ASS'Y		
2	FG3-0739-000		1	CABLE, ENCODER	J606,609,6402,6404,J6406,6408	
3	FG3-0819-000		1	DC-AC PCB ASSEMBLY		
4	FG3-0821-000		4	CABLE, DRUM MOTOR HIGH VOLTAGE	J601-604,J6401,6403,6405,6407	
501	XB1-2400-607		11	SCREW,MACH.,TRUSS HEAD,M4X6		

FIGURE 920 CONTROL PANEL CPU PCB ASSEMBLY

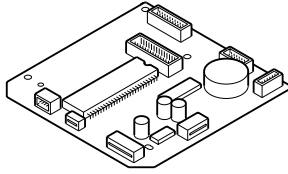


FIGURE & KEY NO.	PARTS NUMBER	RANK	QTY	DESCRIPTION	SERIAL NUMBER/REMARKS	SVC
Fig.920	FG6-4312-000		1	CONTROL PANEL CPU PCB ASSEMBLY		
Q919	FH4-3738-000		1	IC, MB89636RP-G-551-SH, MPU		

FIGURE 922 CONTROL PANEL KEY PCB ASSEMBLY

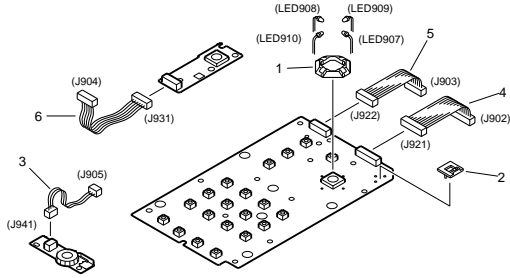


FIGURE & KEY NO.	PARTS NUMBER	RANK	QTY	DESCRIPTION	SERIAL NUMBER/REMARKS	SVC
Fig.922	FG6-4313-00U		1	RECONDITIONED PANEL,KEY PCB		
1	FB5-2195-000		1	HOLDER, LED		
2	FB5-3730-000		1	HOLDER, LED		
3	FG6-4316-000		1	CABLE, VARIABLE RESISTOR	J905,941	
4	FG6-4317-000		1	CABLE, CONTROL PANEL, 1	J902,921	
5	FG6-4318-000		1	CABLE, CONTROL PANEL, 2	J903,922	
6	FG6-4319-000		1	CABLE, C. PANEL MICROSWITCH	J904,931	
LED907	FH6-0768-000		1	LED UNIT		
LED908	FH6-0768-000		1	LED UNIT		
LED909	FH6-0767-000		1	LED UNIT		
LED910	FH6-0767-000		1	LED UNIT		
VR941	FH6-0745-000		1	RESISTOR, VARIABLE		

FIGURE 925 CONTROL PANEL INVERTER PCB ASSEMBLY

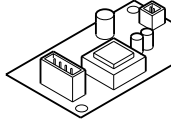


FIGURE & KEY NO.	PARTS NUMBER	R A N K	QTY	DESCRIPTION	SERIAL NUMBER/ REMARKS	S V C
Fig.925	FG3-1230-000		1	CONT. PANEL INVERTER PCB ASS'Y		
F1	VD5-0321-001		1	FUSE, 125V, 1A		
T1	FH3-0775-000		1	TRANSFORMER, INVERTER		

FIGURE 930 DC CONTROLLER PCB ASSEMBLY

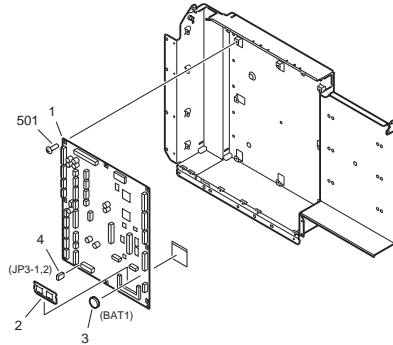


FIGURE & KEY NO.	PARTS NUMBER	RANK	QTY	DESCRIPTION	SERIAL NUMBER/REMARKS	SVC
Fig.930	NPN		RF	DC CONTROLLER PCB ASSEMBLY		
1	FG3-0644-00U		1	RECONDITIONED DC CONTROLLER	imageRUNNER C2050imageRUNNER C2020iR C2100SCP2150/2120 100/120V	
1	FG3-0671-000		1	DC CONTROLLER PCB ASSEMBLY	iR C2100/2100S220/240V	
1	FG3-0823-000		1	DC CONTROLLER PCB ASSEMBLY	imageRUNNER C2058iR C2105CP2155/2125 100/120V	
1	FG3-0825-000		1	DC CONTROLLER PCB ASSEMBLY	iR C2105/2105S220/240V	
1	FG3-0680-000		1	DC CONTROLLER PCB ASSEMBLY	CP2150G	
2	FG3-0675-070		1	DIMM ASS'Y	imageRUNNER C2050imageRUNNER C2020iR C2100/2100SCP2150/2120	
2	FG3-0678-030		1	DIMM ASS'Y	imageRUNNER C2058iR C2105/2105SCP2155/2125	
2	FG3-0679-020		1	DIMM ASS'Y	CP2150G	
3	WK1-5148-000		1	BATTERY,LITHIUM,CR2477-HE6H 3V		
4	WS1-0172-000		1	SHORT PLUG, DIC-S252	JP3-1,2	
501	XB1-2400-606		8	SCREW,MACH.,TRUSS HEAD,M4X6		
	FG3-2685-000		1	DC CONTROLLER PCB ASSEMBLY		
	FG3-2687-000		1	DC CONTROLLER PCB ASSEMBLY		

FIGURE 933 SYSTEM CONTROLLER PCB ASSEMBLY

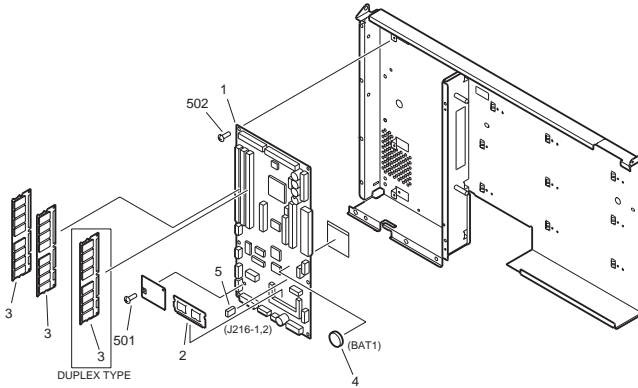
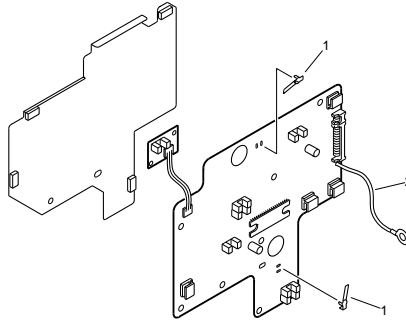


FIGURE & KEY NO.	PARTS NUMBER	RANK	Q'TY	DESCRIPTION	SERIAL NUMBER/REMARKS	SVC
Fig.933	NPN		RF	SYSTEM CONTROLLER PCB ASSEMBLY		
1	FG3-0645-000		1	SYSTEM CONTROLLER PCB ASSEMBLY		
2	FG3-0782-100		1	DIMM ASS'Y	JAPANESE	
2	FG3-0783-100		1	DIMM ASS'Y	ENGLISH NQP	
2	FG3-0785-100		1	DIMM ASS'Y	ENGLISH PQQ,PQR,NQQENGLISH RFE,MQF,MQG,ENGLISH PQT	
2	FG3-0786-100		1	DIMM ASS'Y	ENGLISH QQQ,QQP,QEY	
2	FG3-0787-100		1	DIMM ASS'Y	ENGLISH RQC,RQD,RFF	
2	FG3-0788-100		1	DIMM ASS'Y	FRENCH	
2	FG3-0789-100		1	DIMM ASS'Y	GERMAN	
2	FG3-0790-100		1	DIMM ASS'Y	ITALIAN	
2	FG3-0791-100		1	DIMM ASS'Y	ILLUSTRATION	
3	WA7-1372-000		2	DIMM, MB8508S064DZ-102DG	PLAIN TYPE	
3	WA7-1372-000		3	DIMM, MB8508S064DZ-102DG	DUPLIX TYPE	
4	WK1-5007-000		1	BATTERY, LITHIUM, CR2354-1GU4	BAT1	
5	WS1-0172-000		1	SHORT PLUG, DIC-S252	J216-1,2	
501	XB1-2300-407		1	SCREW,MACH.,TRUSS HEAD,M3X4		
502	XB1-2400-606		9	SCREW,MACH.,TRUSS HEAD,M4X6		
	FG3-0785-100		1	DIMM ASS'Y		

FIGURE 940 PAPER PICK-UP PCB ASSEMBLY



NOTE: This assembly is included in the assembly shown in Figure 310.

注：このユニットはFigure310のユニットに含まれます。

FIGURE & KEY NO.	PARTS NUMBER	RANK	QTY	DESCRIPTION	SERIAL NUMBER/REMARKS	SVC
Fig.940	FG6-4201-000		1	PAPER PICK-UP PCB ASSEMBLY	SEE NOTE	
1	FB3-2872-000		2	SPRING, LEAF		
2	FF3-4119-000		1	CABLE, GROUNDING		
FU1	VD5-0323-001		1	FUSE, 251003		

FIGURE 965 SERIAL DRIVER PCB ASSEMBLY

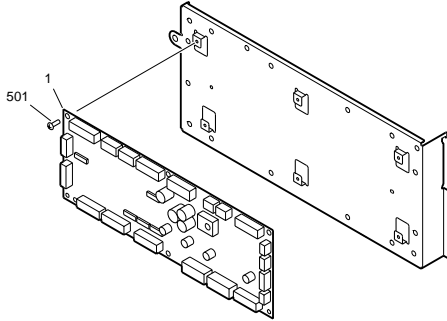


FIGURE & KEY NO.	PARTS NUMBER	RANK	QTY	DESCRIPTION	SERIAL NUMBER/REMARKS	SVC
Fig.965	NPN		RF	SERIAL DRIVER PCB ASSEMBLY		
1	FG3-0827-000		1	SERIAL DRIVER PCB ASSEMBLY		
501	XB1-2400-607		6	SCREW,MACH.,TRUSS HEAD,M4X6		
	FG3-0832-000		1	SERIAL DRIVER PUB ASSEMBLY		

FIGURE 975 ENVIRONMENT MEASURING PCB ASSEMBLY

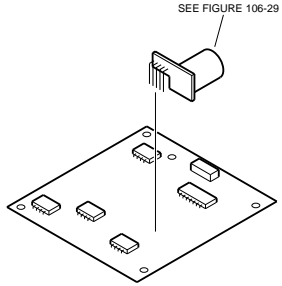


FIGURE & KEY NO.	PARTS NUMBER	RANK	QTY	DESCRIPTION	SERIAL NUMBER/REMARKS	SVC
Fig.975	FG5-3064-000		1	ENV. MEASURING PCB ASSEMBLY		

FIGURE 985 BIAS HIGH VOLTAGE PCB ASSEMBLY

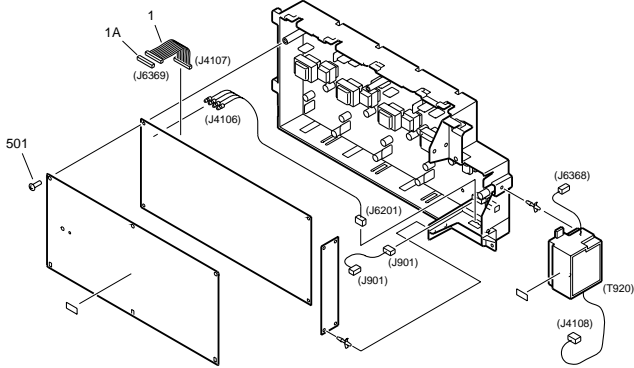


FIGURE & KEY NO.	PARTS NUMBER	RANK	Q'TY	DESCRIPTION	SERIAL NUMBER/REMARKS	SVC
Fig.985	FG6-4192-000		1	BIAS HIGH VOLTAGE PCB ASSEMBLY		
1	FG3-0745-000		1	CABLE, SIGNAL	J4107,6369	
1A	VS1-6318-020		1	CONNECTOR, SNAP TIGHT	J6369	
501	XB4-7401-009		4	SCREW,TAPPING,TRUSS HEAD,M4X10		
T920	FH3-0931-000		1	TRANSFORMER	J4108,6368	

FIGURE 996
READER-PRINTER INTERFACE PCB ASSEMBLY (i.
R. C2058, iR C2105/S, CP2155/25/50G)

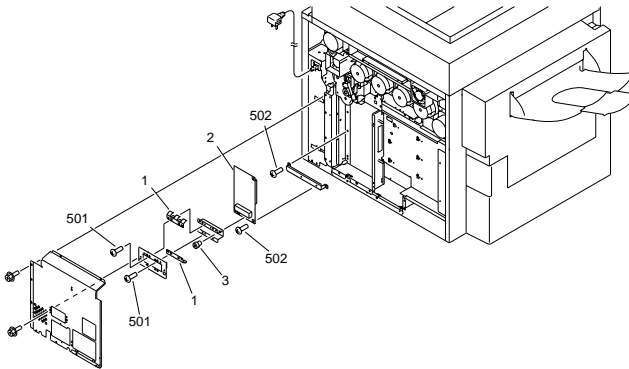
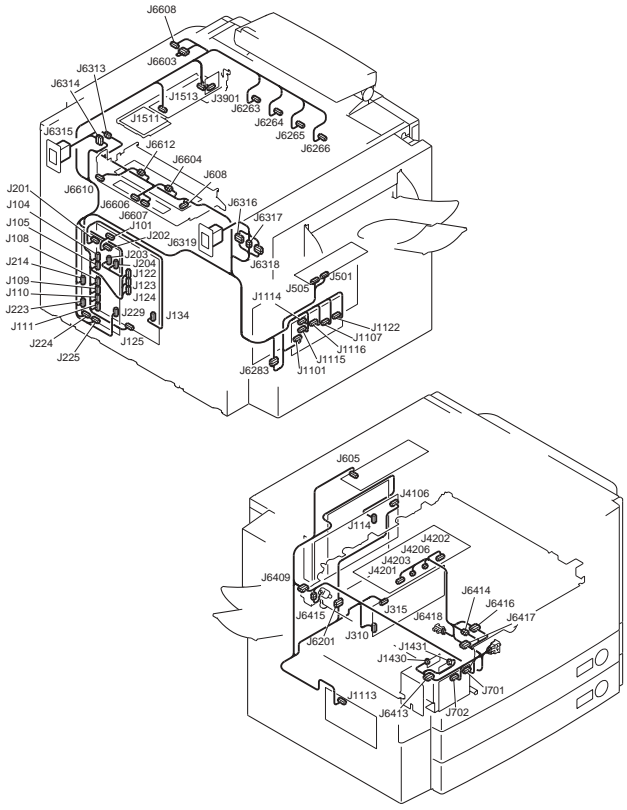
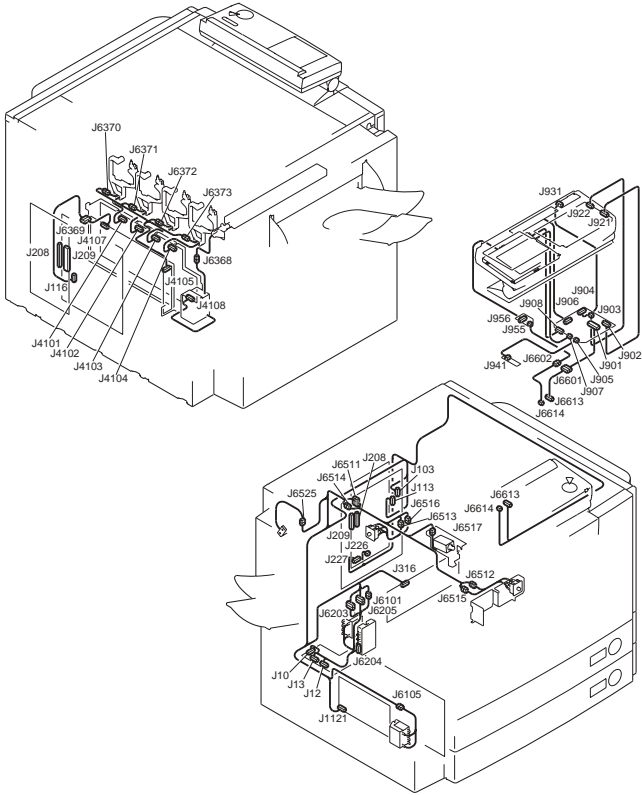
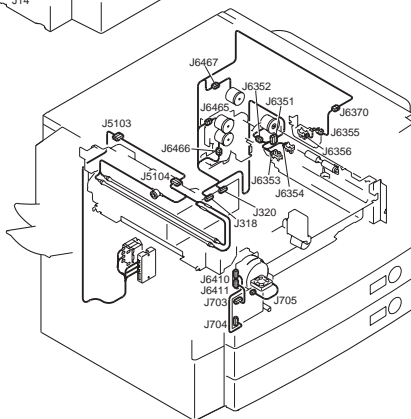
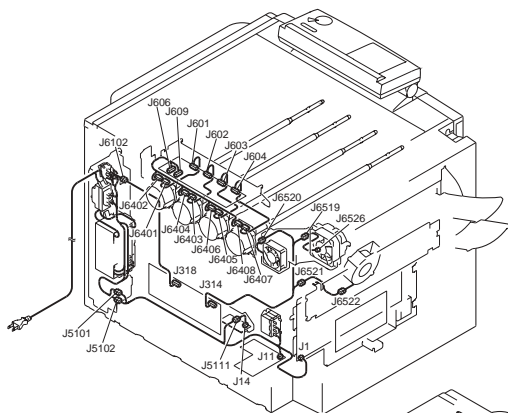


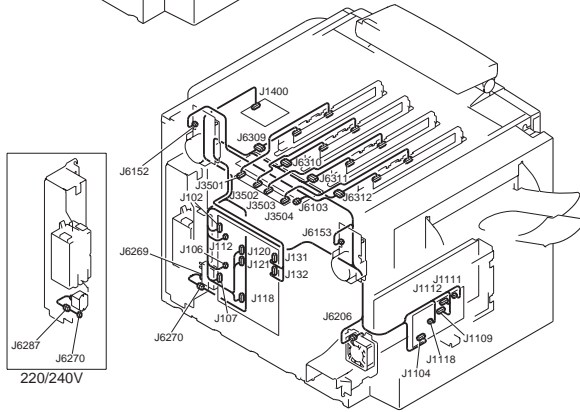
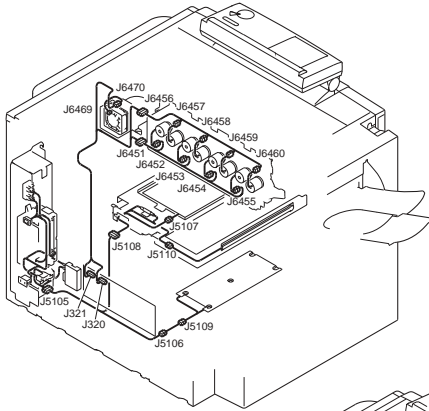
FIGURE & KEY NO.	PARTS NUMBER	RANK	QTY	DESCRIPTION	SERIAL NUMBER/REMARKS	SVC
Fig.996	FG6-4581-000		1	READER-PRINTER I/F PCB ASS'Y	imageRUNNER C2058iR C2105/2105SCP2155/ 2125/2150G	
1	FB5-2389-000		2	SPRING, LEAF		
2	FG3-0908-000		1	INTERFACE PCB ASSEMBLY		
3	WT2-5626-000		2	LOCK SCREW		
501	XB1-2300-607		4	SCREW,MACH.,TRUSS HEAD,M3X6		
502	XB1-2400-607		2	SCREW,MACH.,TRUSS HEAD,M4X6		

FIGURE B LIST OF CONNECTORS









DUPLEX TYPE

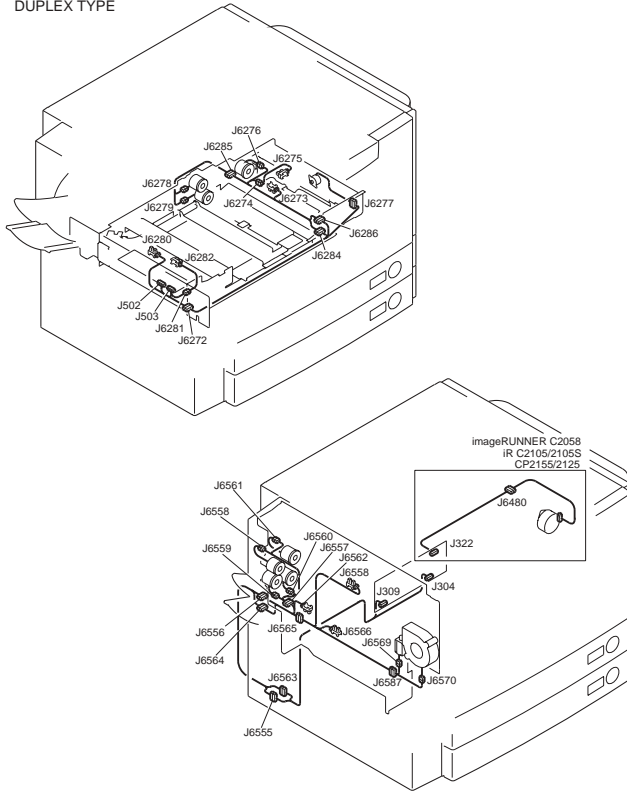


FIGURE & KEY NO.	PARTS NUMBER	RANK	QTY	DESCRIPTION	SERIAL NUMBER/REMARKS	SVC
Fig.B	NPN		RF	LIST OF CONNECTORS		
J1	PCB			DC POWER SUPPLY		
J1	VS1-6380-003		1	CONNECTOR, 3P, MALE		
J1	WS3-5292-000		2	SOCKET CONTACT		
J2	PCB			DC POWER SUPPLY		
J2	VS3-5083-007		1	CONNECTOR, 7P, FEMALE		
J2	WS3-5160-000		7	SOCKET CONTACT, 18-24AWG		
J3	PCB			DC POWER SUPPLY		
J3	VS1-6314-009		1	CONNECTOR, 9P, FEMALE		
J4	PCB			DC POWER SUPPLY		

FIGURE & KEY NO.	PARTS NUMBER	RANK	Q'TY	DESCRIPTION	SERIAL NUMBER/REMARKS	SVC
J4	VS1-6380-006		1	CONNECTOR, 6P, MALE		
J4	WS3-5292-000		6	SOCKET CONTACT		
J5	PCB			DC POWER SUPPLY		
J5	VS3-5083-006		1	CONNECTOR, 6P, FEMALE		
J5	WS3-5160-000		6	SOCKET CONTACT, 18-24AWG		
J6	PCB			DC POWER SUPPLY		
J6	WT1-5276-000		8	PIN CONTACT		
J10	PCB			SWITCH CUT	220/240V	
J10	VS1-6314-006		1	CONNECTOR, 6P, FEMALE	220/240V	
J11	PCB			SWITCH CUT	220/240V	
J11	VS3-5083-003		1	CONNECTOR, 3P, FEMALE	220/240V	
J11	WS3-5160-000		2	SOCKET CONTACT, 18-24AWG	220/240V	
J12	PCB			SWITCH CUT	220/240V	
J12	VS1-6314-007		1	CONNECTOR, 7P, FEMALE	220/240V	
J13	PCB			SWITCH CUT	220/240V	
J13	VS1-5824-005		1	CONNECTOR, 5P, FEMALE	220/240V	
J13	WS3-5358-000		5	SOCKET CONTACT, 22-26AWG	220/240V	
J14	PCB			POWER TRANSIT	220/240V	
J14	VS3-5083-003		1	CONNECTOR, 3P, FEMALE	220/240V	
J14	WS3-5160-000		2	SOCKET CONTACT, 18-24AWG	220/240V	
J101	PCB			DC CONTROLLER		
J101	FH2-6780-000		1	CABLE, FLAT, 2		
J102	PCB			DC CONTROLLER		
J102	VS3-5083-010		1	CONNECTOR, 10P, FEMALE		
J102	WS3-5160-000		10	SOCKET CONTACT, 18-24AWG		
J103	PCB			DC CONTROLLER		
J103	VS1-6534-008		1	CONNECTOR, 9P, FEMALE		
J103	WS3-5658-000		6	SOCKET CONTACT		
J104	PCB			DC CONTROLLER		
J104	VS1-5452-005		1	CONNECTOR, 5P, FEMALE		
J105	PCB			DC CONTROLLER		
J105	VS1-5452-007		1	CONNECTOR, 7P, FEMALE		

FIGURE & KEY NO.	PARTS NUMBER	RANK	Q'TY	DESCRIPTION	SERIAL NUMBER/REMARKS	SVC
J106	PCB			DC CONTROLLER		
J106	VS1-6321-002		1	CONNECTOR, 2P, FEMALE		
J107	PCB			DC CONTROLLER		
J107	VS1-6314-006		1	CONNECTOR, 6P, FEMALE		
J108	PCB			DC CONTROLLER		
J108	VS1-5452-006		1	CONNECTOR, 6P, FEMALE		
J108	VS1-6084-006		1	CONNECTOR, 6P, FEMALE		
J108	VS1-6197-012		1	HOLDER, CONNECTOR, 12P		
J109	PCB			DC CONTROLLER		
J109	VS1-5452-007		1	CONNECTOR, 7P, FEMALE		
J109	VS1-6084-007		1	CONNECTOR, 7P, FEMALE		
J109	VS1-6197-014		1	HOLDER, CONNECTOR, 14P		
J110	PCB			DC CONTROLLER		
J110	VS1-5452-006		1	CONNECTOR, 6P, FEMALE		
J110	VS1-6084-006		1	CONNECTOR, 6P, FEMALE		
J110	VS1-6197-012		1	HOLDER, CONNECTOR, 12P		
J111	PCB			DC CONTROLLER		
J111	VS1-5452-007		1	CONNECTOR, 7P, FEMALE		
J111	VS1-6084-007		1	CONNECTOR, 7P, FEMALE		
J111	VS1-6197-014		1	HOLDER, CONNECTOR, 14P		
J112	PCB			DC CONTROLLER		
J112	VS1-6321-003		1	CONNECTOR, 3P, FEMALE		
J113	PCB			DC CONTROLLER		
J113	VS1-6314-007		1	CONNECTOR, 7P, FEMALE		
J114	PCB			DC CONTROLLER		
J114	VS1-6314-013		1	CONNECTOR, 13P, FEMALE		
J115	PCB			DC CONTROLLER		
J115	VS1-5452-006		1	CONNECTOR, 6P, FEMALE		
J116	PCB			DC CONTROLLER		
J116	VS1-6314-020		1	CONNECTOR, 20P, FEMALE		
J117	PCB			DC CONTROLLER		
J117	VS1-6314-011		1	CONNECTOR, 11P, FEMALE		

FIGURE & KEY NO.	PARTS NUMBER	R A N K	Q'TY	DESCRIPTION	SERIAL NUMBER/ REMARKS	S V C
J118	PCB			DC CONTROLLER		
J118	VS1-6321-003		1	CONNECTOR, 3P, FEMALE		
J119	PCB			DC CONTROLLER		
J119	VS1-6314-016		1	CONNECTOR, 16P, FEMALE		
J120	PCB			DC CONTROLLER		
J120	VS1-6314-009		1	CONNECTOR, 9P, FEMALE		
J121	PCB			DC CONTROLLER		
J121	VS1-6314-006		1	CONNECTOR, 6P, FEMALE		
J122	PCB			DC CONTROLLER		
J122	VS1-6314-008		1	CONNECTOR, 8P, FEMALE		
J123	PCB			DC CONTROLLER		
J123	VS1-6321-002		1	CONNECTOR, 2P, FEMALE		
J124	PCB			DC CONTROLLER		
J124	VS1-5452-008		1	CONNECTOR, 8P, FEMALE		
J125	PCB			DC CONTROLLER		
J125	VS1-6313-020		1	CONNECTOR, 20P, FEMALE		
J125	VS1-6314-020		1	CONNECTOR, 20P, FEMALE		
J125	VT2-5161-040		1	HOLDER, CONNECTOR, 40P		
J131	PCB			DC CONTROLLER		
J131	VS1-6313-020		1	CONNECTOR, 20P, FEMALE		
J131	VS1-6314-020		1	CONNECTOR, 20P, FEMALE		
J131	VT2-5161-040		1	HOLDER, CONNECTOR, 40P		
J132	PCB			DC CONTROLLER		
J132	VS1-6313-020		1	CONNECTOR, 20P, FEMALE		
J132	VS1-6314-020		1	CONNECTOR, 20P, FEMALE		
J132	VT2-5161-040		1	HOLDER, CONNECTOR, 40P		
J134	PCB			DC CONTROLLER		
J134	FH2-6779-000		1	CABLE, FLAT, 1		
J201	PCB			SYSTEM CONTROLLER		
J201	FH2-6779-000		1	CABLE, FLAT, 1		
J202	PCB			SYSTEM CONTROLLER		
J202	FH2-6780-000		1	CABLE, FLAT, 2		

FIGURE & KEY NO.	PARTS NUMBER	R A N K	Q'TY	DESCRIPTION	SERIAL NUMBER/REMARKS	S V C
J203	PCB			SYSTEM CONTROLLER	ACCESSORY	
J203	VS3-5083-004		1	CONNECTOR, 4P, FEMALE		
J203	WS3-5160-000		4	SOCKET CONTACT, 18-24AWG		
J204	PCB			SYSTEM CONTROLLER		
J204	VS3-5083-012		1	CONNECTOR, 12P, FEMALE		
J204	WS3-5160-000		12	SOCKET CONTACT, 18-24AWG		
J208	SYS			TO INTERFACE		
J208	PCB			SYSTEM CONTROLLER		
J209	SYS			TO ACCESSORY BOARD		
J209	PCB			SYSTEM CONTROLLER		
J214	PCB			SYSTEM CONTROLLER		
J214	VS1-5824-004		1	CONNECTOR, 4P, FEMALE		
J214	WS3-5358-000		4	SOCKET CONTACT, 22-26AWG		
J223	PCB			SYSTEM CONTROLLER		
J223	VS1-6314-010		1	CONNECTOR, 10P, FEMALE		
J224	PCB			SYSTEM CONTROLLER		
J224	VS1-6313-020		1	CONNECTOR, 20P, FEMALE		
J224	VS1-6314-020		1	CONNECTOR, 20P, FEMALE		
J224	VT2-5161-040		1	HOLDER, CONNECTOR, 40P		
J225	PCB			SYSTEM CONTROLLER		
J225	VS1-6314-006		1	CONNECTOR, 6P, FEMALE		
J226	PCB			SYSTEM CONTROLLER		
J226	VS1-6321-002		1	CONNECTOR, 2P, FEMALE		
J227	PCB			SYSTEM CONTROLLER		
J227	VS1-6313-015		1	CONNECTOR, 15P, FEMALE		
J227	VS1-6314-015		1	CONNECTOR, 15P, FEMALE		
J227	VT2-5161-030		1	HOLDER, CONNECTOR, 30P		
J229	PCB			SYSTEM CONTROLLER		
J229	VS1-6314-010		1	CONNECTOR, 10P, FEMALE		
J301	PCB			SERIAL DRIVER		
J301	VS1-6314-011		1	CONNECTOR, 11P, FEMALE		
J302	PCB			SERIAL DRIVER		

FIGURE & KEY NO.	PARTS NUMBER	RANK	Q'TY	DESCRIPTION	SERIAL NUMBER/REMARKS	SVC
J302	VS1-6314-018		1	CONNECTOR, 18P, FEMALE		
J303	PCB			SERIAL DRIVER		
J303	VS1-6314-012		1	CONNECTOR, 12P, FEMALE		
J304	PCB			SERIAL DRIVER		
J304	VS1-6314-011		1	CONNECTOR, 11P, FEMALE		
J306	PCB			SERIAL DRIVER		
J306	VS1-6314-013		1	CONNECTOR, 13P, FEMALE		
J307	PCB			SERIAL DRIVER		
J307	VS1-6313-012		1	CONNECTOR, 12P, FEMALE		
J307	VS1-6314-012		1	CONNECTOR, 12P, FEMALE		
J307	VT2-5161-024		1	HOLDER, CONNECTOR, 24P		
J308	PCB			SERIAL DRIVER		
J308	VS1-6313-011		1	CONNECTOR, 11P, FEMALE		
J308	VS1-6314-011		1	CONNECTOR, 11P, FEMALE		
J308	VT2-5161-022		1	HOLDER, CONNECTOR, 22P		
J309	PCB			SERIAL DRIVER		
J309	VS1-6314-013		1	CONNECTOR, 13P, FEMALE		
J310	PCB			SERIAL DRIVER		
J310	VS1-6314-004		1	CONNECTOR, 4P, FEMALE		
J311	PCB			SERIAL DRIVER		
J311	VS1-5452-009		1	CONNECTOR, 9P, FEMALE		
J312	PCB			SERIAL DRIVER		
J312	VS1-6314-006		1	CONNECTOR, 6P, FEMALE		
J313	PCB			SERIAL DRIVER		
J313	VS1-5452-003		1	CONNECTOR, 3P, FEMALE		
J314	PCB			SERIAL DRIVER		
J314	VS1-6314-013		1	CONNECTOR, 13P, FEMALE		
J315	PCB			SERIAL DRIVER		
J315	VS1-6314-007		1	CONNECTOR, 7P, FEMALE		
J316	PCB			SERIAL DRIVER		
J316	VS1-6314-006		1	CONNECTOR, 6P, FEMALE		
J317	PCB			SERIAL DRIVER		

FIGURE & KEY NO.	PARTS NUMBER	R A N K	Q'TY	DESCRIPTION	SERIAL NUMBER/ REMARKS	S V C
J317	VS1-6534-008		1	CONNECTOR, 9P, FEMALE		
J317	WS3-5658-000		8	SOCKET CONTACT		
J318	PCB			SERIAL DRIVER		
J318	VS1-6314-013		1	CONNECTOR, 13P, FEMALE		
J319	PCB			SERIAL DRIVER		
J319	VS1-6314-010		1	CONNECTOR, 10P, FEMALE		
J320	PCB			SERIAL DRIVER		
J320	VS1-6314-009		1	CONNECTOR, 9P, FEMALE		
J321	PCB			SERIAL DRIVER		
J321	VS1-6314-019		1	CONNECTOR, 19P, FEMALE		
J322	PCB			SERIAL DRIVER	imageRUNNER C2058iR C2105/2105SCP2155/ 2125	
J322	VS1-6321-004		1	CONNECTOR, 4P, FEMALE	imageRUNNER C2058iR C2105/2105SCP2155/ 2125	
J501	PCB			DUPLEX DRIVER	DUPLEX TYPE	
J501	VS1-6314-008		1	CONNECTOR, 8P, FEMALE	DUPLEX TYPE	
J502	PCB			DUPLEX DRIVER	DUPLEX TYPE	
J502	VS1-6313-010		1	CONNECTOR, 10P, FEMALE	DUPLEX TYPE	
J502	VS1-6314-010		1	CONNECTOR, 10P, FEMALE	DUPLEX TYPE	
J502	VT2-5161-020		1	HOLDER, CONNECTOR, 20P	DUPLEX TYPE	
J503	PCB			DUPLEX DRIVER	DUPLEX TYPE	
J503	VS1-6314-006		1	CONNECTOR, 6P, FEMALE	DUPLEX TYPE	
J505	PCB			DUPLEX DRIVER	DUPLEX TYPE	
J505	VS1-6534-004		1	CONNECTOR, 4P, FEMALE	DUPLEX TYPE	
J505	WS3-5658-000		4	SOCKET CONTACT	DUPLEX TYPE	
J601	PCB			DRUM MOTOR DRIVER		
J601	VS3-5083-005		1	CONNECTOR, 5P, FEMALE		
J601	WS3-5160-000		5	SOCKET CONTACT, 18-24AWG		
J602	PCB			DRUM MOTOR DRIVER		
J602	VS3-5083-005		1	CONNECTOR, 5P, FEMALE		
J602	WS3-5160-000		5	SOCKET CONTACT, 18-24AWG		
J603	PCB			DRUM MOTOR DRIVER		

FIGURE & KEY NO.	PARTS NUMBER	RANK	Q'TY	DESCRIPTION	SERIAL NUMBER/REMARKS	SVC
J603	VS3-5083-005		1	CONNECTOR, 5P, FEMALE		
J603	WS3-5160-000		5	SOCKET CONTACT, 18-24AWG		
J604	PCB			DRUM MOTOR DRIVER		
J604	VS3-5083-005		1	CONNECTOR, 5P, FEMALE		
J604	WS3-5160-000		5	SOCKET CONTACT, 18-24AWG		
J605	PCB			DRUM MOTOR DRIVER		
J605	VS1-6314-010		1	CONNECTOR, 10P, FEMALE		
J606	PCB			DRUM MOTOR DRIVER		
J606	VS1-6314-010		1	CONNECTOR, 10P, FEMALE		
J607	PCB			DRUM MOTOR DRIVER		
J607	VS1-6314-007		1	CONNECTOR, 7P, FEMALE		
J608	PCB			DRUM MOTOR DRIVER		
J608	VS3-5083-004		1	CONNECTOR, 4P, FEMALE		
J608	WS3-5160-000		4	SOCKET CONTACT, 18-24AWG		
J609	PCB			DRUM MOTOR DRIVER		
J609	VS1-6314-011		1	CONNECTOR, 11P, FEMALE		
J701	PCB			TRANSFER BELT AC		
J701	FG3-0722-000		1	CABLE, TRANSFER LOWER DRAWER		
J702	PCB			TRANSFER BELT AC		
J702	FG3-0722-000		1	CABLE, TRANSFER LOWER DRAWER		
J703	PCB			TRANSFER BELT AC		
J703	FG3-0722-000		1	CABLE, TRANSFER LOWER DRAWER		
J704	PCB			TRANSFER BELT AC		
J704	VS3-5083-005		1	CONNECTOR, 5P, FEMALE		
J704	WS3-5160-000		5	SOCKET CONTACT, 18-24AWG		
J705	PCB			TRANSFER BELT AC		
J705	NPN		1	TRANS. BELT MOTOR COOLING FAN	FM13	
J901	PCB			CONTROL PANEL CPU		
J901	VS1-6313-015		1	CONNECTOR, 15P, FEMALE		
J901	VS1-6314-015		1	CONNECTOR, 15P, FEMALE		
J901	VT2-5161-030		1	HOLDER, CONNECTOR, 30P		
J902	PCB			CONTROL PANEL CPU		

FIGURE & KEY NO.	PARTS NUMBER	R A N K	Q'TY	DESCRIPTION	SERIAL NUMBER/ REMARKS	S V C
J902	VS1-6314-012		1	CONNECTOR, 12P, FEMALE		
J903	PCB			CONTROL PANEL CPU		
J903	VS1-6314-009		1	CONNECTOR, 9P, FEMALE		
J904	PCB			CONTROL PANEL CPU		
J904	VS1-7178-006		1	CONNECTOR, 6P, FEMALE		
J905	PCB			CONTROL PANEL CPU		
J905	VS1-7178-004		1	CONNECTOR, 4P, FEMALE		
J906	PCB			CONTROL PANEL CPU		
J906	PCB			LED		
J907	PCB			CONTROL PANEL CPU		
J907	NPN			ANALOG TOUCH PANEL		
J908	PCB			CONTROL PANEL CPU		
J908	NPN			LIQUID CRYSTAL PANEL		
J921	PCB			CONTROL PANEL KEY		
J921	VS1-6314-012		1	CONNECTOR, 12P, FEMALE		
J922	PCB			CONTROL PANEL KEY		
J922	VS1-6314-009		1	CONNECTOR, 9P, FEMALE		
J931	PCB			CONTROL PANEL KEY		
J931	VS1-6023-006		1	CONNECTOR, 6P, FEMALE		
J941	PCB			CONTROL PANEL KEY		
J941	VS1-5976-004		1	CONNECTOR, 4P, MALE		
J955	PCB			CONTROL PANEL INVERTER		
J955	VS1-7178-002		1	CONNECTOR, 2P, FEMALE		
J956	PCB			CONTROL PANEL INVERTER		
J956	NPN			LIQUID CRYSTAL PANEL		
J1101	PCB			POWER SUPPLY		
J1101	VS1-6534-004		1	CONNECTOR, 4P, FEMALE	DUPLEX TYPE	
J1101	WS3-5658-000		4	SOCKET CONTACT	DUPLEX TYPE	
J1102	PCB			POWER SUPPLY		
J1102	VS1-6534-008		1	CONNECTOR, 9P, FEMALE		
J1102	WS3-5658-000		8	SOCKET CONTACT		
J1104	PCB			POWER SUPPLY		

FIGURE & KEY NO.	PARTS NUMBER	RANK	Q'TY	DESCRIPTION	SERIAL NUMBER/REMARKS	SVC
J1104	VS3-5083-004		1	CONNECTOR, 4P, FEMALE		
J1104	WS3-5160-000		4	SOCKET CONTACT, 18-24AWG		
J1105	PCB			POWER SUPPLY		
J1105	VS1-6380-006		1	CONNECTOR, 6P, MALE		
J1105	WS3-5292-000		6	SOCKET CONTACT		
J1106	PCB			POWER SUPPLY		
J1106	VS3-5083-007		1	CONNECTOR, 7P, FEMALE		
J1106	WS3-5160-000		7	SOCKET CONTACT, 18-24AWG		
J1107	PCB			POWER SUPPLY		
J1107	VS3-5083-012		1	CONNECTOR, 12P, FEMALE		
J1107	WS3-5160-000		12	SOCKET CONTACT, 18-24AWG		
J1108	PCB			POWER SUPPLY		
J1108	VS3-5083-006		1	CONNECTOR, 6P, FEMALE		
J1108	WS3-5160-000		6	SOCKET CONTACT, 18-24AWG		
J1109	PCB			POWER SUPPLY		
J1109	VS3-5083-010		1	CONNECTOR, 10P, FEMALE		
J1109	WS3-5160-000		10	SOCKET CONTACT, 18-24AWG		
J1110	PCB			POWER SUPPLY		
J1110	VS1-6314-009		1	CONNECTOR, 9P, FEMALE		
J1111	PCB			POWER SUPPLY		
J1111	VS1-6321-002		1	CONNECTOR, 2P, FEMALE		
J1112	PCB			POWER SUPPLY		
J1112	VS1-6314-007		1	CONNECTOR, 7P, FEMALE		
J1113	PCB			POWER SUPPLY		
J1113	VS1-6534-008		1	CONNECTOR, 9P, FEMALE		
J1113	WS3-5658-000		8	SOCKET CONTACT		
J1114	PCB			POWER SUPPLY		
J1114	VS3-5083-003		1	CONNECTOR, 3P, FEMALE		
J1114	WS3-5160-000		3	SOCKET CONTACT, 18-24AWG		
J1115	PCB			POWER SUPPLY		
J1115	VS1-6321-004		1	CONNECTOR, 4P, FEMALE		
J1116	PCB			POWER SUPPLY		

FIGURE & KEY NO.	PARTS NUMBER	R A N K	Q'TY	DESCRIPTION	SERIAL NUMBER/ REMARKS	S V C
J1116	VS3-5083-004		1	CONNECTOR, 4P, FEMALE		
J1116	WS3-5160-000		4	SOCKET CONTACT, 18-24AWG		
J1118	PCB			POWER SUPPLY		
J1118	VS1-6321-002		1	CONNECTOR, 2P, FEMALE		
J1121	PCB			POWER SUPPLY	220/240V	
J1121	VS1-6314-006		1	CONNECTOR, 6P, FEMALE		
J1122	PCB			POWER SUPPLY		
J1122	VS3-5083-004		1	CONNECTOR, 4P, FEMALE		
J1122	WS3-5160-000		4	SOCKET CONTACT, 18-24AWG		
J1400	PCB			ENVIRONMENT MEASURING		
J1400	VS1-6321-006		1	CONNECTOR, 6P, FEMALE		
J1410	NPN			OHP SENSOR	S13	
J1410	VS1-6321-003		1	CONNECTOR, 3P, FEMALE		
J1420	NPN			OHP SENSOR	S14	
J1420	VS1-6321-003		1	CONNECTOR, 3P, FEMALE		
J1430	PCB			REMNANT SENSOR RADIANT		
J1430	VS1-6321-002		1	CONNECTOR, 2P, FEMALE		
J1431	PCB			REMNANT SENSOR RECEIVE		
J1431	VS1-6321-003		1	CONNECTOR, 3P, FEMALE		
J1470-1	NPN			UPPER CASSETTE SIZE SENSOR	S1	
J1470-1	VS1-0978-006		1	CONNECTOR, 6P, FEMALE		
J1470-2	NPN			LOWER CASSETTE SIZE SENSOR	S2	
J1470-2	VS1-0978-006		1	CONNECTOR, 6P, FEMALE		
J1511	PCB			BICENTRO INTERFACE		
J1511	VS1-6313-019		1	CONNECTOR, 19P, FEMALE		
J1511	VS1-6314-019		1	CONNECTOR, 19P, FEMALE		
J1511	VT2-5161-038		1	HOLDER, CONNECTOR, 38P		
J1513	PCB			BICENTRO INTERFACE		
J1513	VS1-6313-020		1	CONNECTOR, 20P, FEMALE		
J1513	VS1-6314-020		1	CONNECTOR, 20P, FEMALE		
J1513	VT2-5161-040		1	HOLDER, CONNECTOR, 40P		
J1601	PCB			PAPER PICK-UP		

FIGURE & KEY NO.	PARTS NUMBER	R A N K	Q'TY	DESCRIPTION	SERIAL NUMBER/ REMARKS	S V C
J1601	VS1-6314-018		1	CONNECTOR, 18P, FEMALE		
J1602	PCB			PAPER PICK-UP		
J1602	NPN			CASSETTE PAPER PICK-UP MOTOR	M1	
J1603	PCB			PAPER PICK-UP		
J1603	NPN			PAPER PICK-UP CLUTCH	CL1	
J1604	PCB			PAPER PICK-UP		
J1604	NPN			PICK-UP ROLLER DOWN SOLENOID	SL1	
J1607	PCB			PAPER PICK-UP		
J1607	VS1-6314-003		1	CONNECTOR, 3P, FEMALE		
J1608	PCB			PAPER PICK-UP		
J1608	VS1-6321-003		1	CONNECTOR, 3P, FEMALE		
J3501	PCB			LED EXPOSURE	YELLOW	
J3501	PCB			LED EXPOSURE POWER		
J3502	PCB			LED EXPOSURE	MAGENTA	
J3502	PCB			LED EXPOSURE POWER		
J3503	PCB			LED EXPOSURE	CYAN	
J3503	PCB			LED EXPOSURE POWER		
J3504	PCB			LED EXPOSURE	BLACK	
J3504	PCB			LED EXPOSURE POWER		
J3505	PCB			LED EXPOSURE POWER		
J3505	VS1-6380-004		1	CONNECTOR, 4P, MALE		
J3505	WS3-5292-000		4	SOCKET CONTACT		
J3506	PCB			LED EXPOSURE POWER		
J3506	VS1-6380-004		1	CONNECTOR, 4P, MALE		
J3506	WS3-5292-000		4	SOCKET CONTACT		
J3901	PCB			ECO-IDENTITY		
J3901	VS1-6314-010		1	CONNECTOR, 10P, FEMALE		
J4101	PCB			BIAS HIGH VOLTAGE		
J4101	FH2-9237-000		1	CONNECTOR, DRUM KIT H. V. T.		
J4102	PCB			BIAS HIGH VOLTAGE		
J4102	FH2-9237-000		1	CONNECTOR, DRUM KIT H. V. T.		
J4103	PCB			BIAS HIGH VOLTAGE		

FIGURE & KEY NO.	PARTS NUMBER	R A N K	Q'TY	DESCRIPTION	SERIAL NUMBER/REMARKS	S V C
J4103	FH2-9237-000		1	CONNECTOR, DRUM KIT H. V. T.		
J4104	PCB			BIAS HIGH VOLTAGE		
J4104	FH2-9237-000		1	CONNECTOR, DRUM KIT H. V. T.		
J4105	PCB			BIAS HIGH VOLTAGE		
J4105	VS3-5083-004		1	CONNECTOR, 4P, FEMALE		
J4105	WS3-5160-000		4	SOCKET CONTACT, 18-24AWG		
J4106	PCB			BIAS HIGH VOLTAGE		
J4106	WT1-0246-000		4	SOCKET CONTACT, AWG22-18		
J4107	PCB			BIAS HIGH VOLTAGE		
J4107	VS1-6314-020		1	CONNECTOR, 20P, FEMALE		
J4108	PCB			BIAS HIGH VOLTAGE		
J4108	PCB			TRANSFER		
J4201	PCB			HIGH VOLTAGE TRANSFER		
J4201	VS3-5083-004		1	CONNECTOR, 4P, FEMALE		
J4201	WS3-5160-000		4	SOCKET CONTACT, 18-24AWG		
J4202	PCB			HIGH VOLTAGE TRANSFER		
J4202	VS1-6314-016		1	CONNECTOR, 16P, FEMALE		
J4203	PCB			HIGH VOLTAGE TRANSFER		
J4203	VS1-6321-003		1	CONNECTOR, 3P, FEMALE		
J4206	PCB			HIGH VOLTAGE TRANSFER		
J4206	VS1-6321-002		1	CONNECTOR, 2P, FEMALE		
J5101	VS1-6380-003		1	CONNECTOR, 3P, MALE		
J5101	VS3-5121-003		1	CONNECTOR, 3P, FEMALE		
J5101	WS3-5291-000		3	PIN CONTACT		
J5101	WS3-5292-000		2	SOCKET CONTACT		
J5102	VS1-6380-002		1	CONNECTOR, 2P, MALE		
J5102	VS3-5121-002		1	CONNECTOR, 2P, FEMALE		
J5102	WS3-5291-000		2	PIN CONTACT		
J5102	WS3-5292-000		2	SOCKET CONTACT		
J5103	FG3-0770-000		1	CABLE, FIXING DRAWER		
J5103	VS1-6380-004		1	CONNECTOR, 4P, MALE		
J5103	WS3-5292-000		4	SOCKET CONTACT		

FIGURE & KEY NO.	PARTS NUMBER	RANK	Q'TY	DESCRIPTION	SERIAL NUMBER/REMARKS	SVC
J5104	FG3-0715-000		1	CABLE, FIXING DRAWER		
J5104	FG3-0770-000		1	CABLE, FIXING DRAWER		
J5104	VS1-5452-010		1	CONNECTOR, 10P, FEMALE		
J5104	VS1-5452-011		1	CONNECTOR, 11P, FEMALE		
J5105	VS4-0001-006		1	CONNECTOR, 6P, MALE		
J5105	VS4-0002-006		1	CONNECTOR, 6P, FEMALE		
J5105	WS4-0219-000		5	PIN CONTACT, 18-22AWG		
J5105	WS4-0217-000		6	SOCKET CONTACT, 22-18AWG		
J5106	VS4-0001-002		1	CONNECTOR, 2P, MALE		
J5106	VS4-0002-002		1	CONNECTOR, 2P, FEMALE		
J5106	WS4-0219-000		2	PIN CONTACT, 18-22AWG		
J5106	WS4-0217-000		2	SOCKET CONTACT, 22-18AWG		
J5107	NPN			RIGHT ENVIRONMENT HEATER	H6	
J5107	NPN			THERMAL SWITCH 1	TP3	
J5107	VS4-0001-003		1	CONNECTOR, 3P, MALE	100/120V	
J5107	WS4-0219-000		2	PIN CONTACT, 18-22AWG	100/120V	
J5108	NPN			RIGHT ENVIRONMENT HEATER	H6	
J5108	NPN			THERMAL SWITCH 1	TP3	
J5108	NPN			THERMAL SWITCH 2	TP4	
J5108	VS4-0001-004		1	CONNECTOR, 4P, MALE	100/120V	
J5108	VS4-0002-004		1	CONNECTOR, 4P, FEMALE		
J5108	WS4-0219-000		3	PIN CONTACT, 18-22AWG	100/120V	
J5108	WS4-0217-000		3	SOCKET CONTACT, 22-18AWG		
J5109	NPN			CASSETTE HEATER	H3	
J5109	VS4-0002-002		1	CONNECTOR, 2P, FEMALE		
J5109	WS4-0217-000		2	SOCKET CONTACT, 22-18AWG		
J5110	NPN			STICK HEATER	H7	
J5110	NPN			THERMAL SWITCH 2	TP4	
J5110	VS4-0001-002		1	CONNECTOR, 2P, MALE	100/120V	
J5110	WS4-0219-000		2	PIN CONTACT, 18-22AWG	100/120V	
J5111	VS1-5729-003		1	CONNECTOR, 3P, MALE	220/240V	
J5111	VS3-5083-003		1	CONNECTOR, 3P, FEMALE	220/240V	

FIGURE & KEY NO.	PARTS NUMBER	R A N K	Q'TY	DESCRIPTION	SERIAL NUMBER/ REMARKS	S V C
J5111	WS3-5301-000		2	PIN CONTACT	220/240V	
J5111	WS3-5160-000		2	SOCKET CONTACT, 18-24AWG	220/240V	
J6101	VS1-6534-002		1	CONNECTOR, 2P, FEMALE		
J6101	VS1-6535-002		1	CONNECTOR, 2P, MALE		
J6101	WS3-5658-000		2	SOCKET CONTACT		
J6101	WS3-5659-000		2	PIN CONTACT		
J6102	VS1-6321-003		1	CONNECTOR, 3P, FEMALE		
J6102	VS1-5824-003		1	CONNECTOR, 3P, FEMALE		
J6102	WS3-5358-000		2	SOCKET CONTACT, 22-26AWG		
J6102	VS1-7177-003		1	CONNECTOR, SNAP TIGHT		
J6103	VS1-6321-003		1	CONNECTOR, 3P, FEMALE		
J6103	VS1-7177-003		1	CONNECTOR, SNAP TIGHT		
J6105	VS1-6534-002		1	CONNECTOR, 2P, FEMALE		
J6105	VS1-6535-002		1	CONNECTOR, 2P, MALE		
J6105	WS3-5658-000		2	SOCKET CONTACT		
J6105	WS3-5659-000		2	PIN CONTACT		
J6151	VS1-6380-008		1	CONNECTOR, 8P, MALE		
J6151	VS3-5121-008		1	CONNECTOR, 8P, MALE		
J6151	WS3-5291-000		1	PIN CONTACT		
J6151	WS3-5292-000		8	SOCKET CONTACT		
J6152	NPN			PAPER PICK-UP MOTOR	M2	
J6152	VS3-5083-002		1	CONNECTOR, 2P, FEMALE		
J6152	WS3-5160-000		2	SOCKET CONTACT, 18-24AWG		
J6153	NPN			FIXING MOTOR	M16	
J6153	VS3-5083-002		1	CONNECTOR, 2P, FEMALE		
J6153	WS3-5160-000		2	SOCKET CONTACT, 18-24AWG		
J6201	VS1-6534-004		1	CONNECTOR, 4P, FEMALE		
J6201	VS1-6535-004		1	CONNECTOR, 4P, MALE		
J6201	WS3-5658-000		4	SOCKET CONTACT		
J6201	WS3-5659-000		4	PIN CONTACT		
J6203	VS1-6314-006		1	CONNECTOR, 6P, FEMALE		
J6203	VS1-6314-006		1	CONNECTOR, 6P, FEMALE	220/240V	

FIGURE & KEY NO.	PARTS NUMBER	RANK	Q'TY	DESCRIPTION	SERIAL NUMBER/REMARKS	SVC
J6203	VS1-6318-006		1	CONNECTOR, SNAP TIGHT		
J6204	NPN			FIXING SSR	SSR1	
J6204	VS3-0044-005		1	CONNECTOR, 5P, FEMALE		
J6204	WS3-0916-000		5	SOCKET CONTACT, 18-24AWG		
J6205	VS1-5824-007		1	CONNECTOR, 7P, FEMALE	100/120V	
J6205	VS1-6321-007		1	CONNECTOR, 7P, FEMALE		
J6205	VS1-6321-007		1	CONNECTOR, 7P, FEMALE	220/240V	
J6205	WS3-5358-000		5	SOCKET CONTACT, 22-26AWG	100/120V	
J6205	VS1-7177-007		1	CONNECTOR, SNAP TIGHT		
J6206	NPN			POWER SUPPLY COOLING FAN	FM6	
J6206	VS1-6321-003		1	CONNECTOR, 3P, FEMALE		
J6206	VS1-7177-003		1	CONNECTOR, SNAP TIGHT		
J6263	SYS			TO CARTRIDGE	ACCESSORY	
J6263	FH2-6819-000		1	CONNECTOR, 21P, DRAWER		
J6263	VS1-5452-010		1	CONNECTOR, 10P, FEMALE		
J6263	VS1-5452-011		1	CONNECTOR, 11P, FEMALE		
J6264	SYS			TO CARTRIDGE	ACCESSORY	
J6264	FH2-6819-000		1	CONNECTOR, 21P, DRAWER		
J6264	VS1-5452-010		1	CONNECTOR, 10P, FEMALE		
J6264	VS1-5452-011		1	CONNECTOR, 11P, FEMALE		
J6265	SYS			TO CARTRIDGE	ACCESSORY	
J6265	FH2-6819-000		1	CONNECTOR, 21P, DRAWER		
J6265	VS1-5452-010		1	CONNECTOR, 10P, FEMALE		
J6265	VS1-5452-011		1	CONNECTOR, 11P, FEMALE		
J6266	SYS			TO CARTRIDGE	ACCESSORY	
J6266	FH2-6819-000		1	CONNECTOR, 21P, DRAWER		
J6266	VS1-5452-010		1	CONNECTOR, 10P, FEMALE		
J6266	VS1-5452-011		1	CONNECTOR, 11P, FEMALE		
J6269	NPN			CASSETTE HEATER SSR	SSR2	
J6269	VS3-0047-003		1	CONNECTOR, 3P, FEMALE	100/120V	
J6269	WS3-0916-000		2	SOCKET CONTACT, 18-24AWG		
J6270	VS1-5824-003		1	CONNECTOR, 3P, FEMALE	220/240V	

FIGURE & KEY NO.	PARTS NUMBER	R A N K	Q'TY	DESCRIPTION	SERIAL NUMBER/ REMARKS	S V C
J6270	VS1-5824-003		1	CONNECTOR, 3P, FEMALE		
J6270	VS1-6321-003		1	CONNECTOR, 3P, FEMALE		
J6270	WS3-5358-000		2	SOCKET CONTACT, 22-26AWG		
J6270	WS3-5358-000		2	SOCKET CONTACT, 22-26AWG	220/240V	
J6270	VS1-7177-003		1	CONNECTOR, SNAP TIGHT	100/120V	
J6270	VS1-7177-003		1	CONNECTOR, SNAP TIGHT	220/240V	
J6272	VS1-6313-010		2	CONNECTOR, 10P, FEMALE	DUPLEX TYPE	
J6272	VS1-6314-010		2	CONNECTOR, 10P, FEMALE	DUPLEX TYPE	
J6272	VS1-7164-020		1	CONNECTOR, SNAP TIGHT	DUPLEX TYPE	
J6272	VT2-5161-020		2	HOLDER, CONNECTOR, 20P	DUPLEX TYPE	
J6273	NPN			RE-PICK-UP SENSOR	DUPLEX TYPES31	
J6273	VS1-6321-003		1	CONNECTOR, 3P, FEMALE	DUPLEX TYPE	
J6274	VS1-7177-003		1	CONNECTOR, SNAP TIGHT	DUPLEX TYPE	
J6274	VS1-5824-003		1	CONNECTOR, 3P, FEMALE	DUPLEX TYPE	
J6274	VS1-6321-003		1	CONNECTOR, 3P, FEMALE	DUPLEX TYPE	
J6274	WS3-5358-000		3	SOCKET CONTACT, 22-26AWG	DUPLEX TYPE	
J6275	NPN			SIDE REGISTRATION SENSOR	DUPLEX TYPES32	
J6275	VS1-5824-003		1	CONNECTOR, 3P, FEMALE	DUPLEX TYPE	
J6275	WS3-5358-000		3	SOCKET CONTACT, 22-26AWG	DUPLEX TYPE	
J6276	NPN			RE-PICK-UP CLUTCH	DUPLEX TYPECL21	
J6276	VS1-6321-002		1	CONNECTOR, 2P, FEMALE	DUPLEX TYPE	
J6276	VS1-7177-002		1	CONNECTOR, SNAP TIGHT	DUPLEX TYPE	
J6277	NPN			SIDE REGIST. ADJUSTING MOTOR	DUPLEX TYP EM17	
J6277	VS1-6321-006		1	CONNECTOR, 6P, FEMALE	DUPLEX TYPE	
J6277	VS1-7440-006		1	CONNECTOR, SNAP TIGHT	DUPLEX TYPE	
J6278	NPN			DUPLEX CLUTCH	DUPLEX TYPECL19	
J6278	VS1-6321-002		1	CONNECTOR, 2P, FEMALE	DUPLEX TYPE	
J6278	VS1-7177-002		1	CONNECTOR, SNAP TIGHT	DUPLEX TYPE	
J6279	NPN			DUPLEXING DOUBLE SPEED CLUTCH	DUPLEX TYPECL20	
J6279	VS1-6321-002		1	CONNECTOR, 2P, FEMALE	DUPLEX TYPE	
J6279	VS1-7177-002		1	CONNECTOR, SNAP TIGHT	DUPLEX TYPE	
J6280	NPN			DUPLEX INLET SENSOR	DUPLEX TYPES30	

FIGURE & KEY NO.	PARTS NUMBER	RANK	Q'TY	DESCRIPTION	SERIAL NUMBER/REMARKS	SVC
J6280	VS1-6321-003		1	CONNECTOR, 3P, FEMALE	DUPLEX TYPE	
J6281	VS1-6321-003		2	CONNECTOR, 3P, FEMALE	DUPLEX TYPE	
J6281	VS1-7177-003		1	CONNECTOR, SNAP TIGHT	DUPLEX TYPE	
J6282	NPN			DUPLEX REVERSE SENSOR	DUPLEX TYPES33	
J6282	VS1-6321-003		1	CONNECTOR, 3P, FEMALE	DUPLEX TYPE	
J6283	VS1-6314-008		1	CONNECTOR, 8P, FEMALE		
J6283	VS1-6314-008		1	CONNECTOR, 8P, FEMALE	DUPLEX TYPE	
J6283	VS1-7173-008		1	CONNECTOR, SNAP TIGHT	DUPLEX TYPE	
J6284	VS1-7177-004		1	CONNECTOR, SNAP TIGHT	DUPLEX TYPE	
J6284	VS1-6321-004		2	CONNECTOR, 4P, FEMALE	DUPLEX TYPE	
J6285	VS1-7177-004		1	CONNECTOR, SNAP TIGHT	DUPLEX TYPE	
J6285	VS1-6321-004		2	CONNECTOR, 4P, FEMALE	DUPLEX TYPE	
J6286	VS1-6314-008		2	CONNECTOR, 8P, FEMALE	DUPLEX TYPE	
J6286	VS1-7173-008		1	CONNECTOR, SNAP TIGHT	DUPLEX TYPE	
J6287	VS1-6534-002		1	CONNECTOR, 2P, FEMALE	220/240V	
J6287	VS1-6535-002		1	CONNECTOR, 2P, MALE	220/240V	
J6287	WS3-5658-000		2	SOCKET CONTACT	220/240V	
J6287	WS3-5659-000		2	PIN CONTACT	220/240V	
J6309	PCB			LED EXPOSURE	YELLOW	
J6309	VS1-6314-020		1	CONNECTOR, 20P, FEMALE		
J6309	VS1-6318-020		1	CONNECTOR, SNAP TIGHT		
J6310	PCB			LED EXPOSURE	MAGENTA	
J6310	VS1-6313-020		1	CONNECTOR, 20P, FEMALE		
J6310	VS1-6318-020		1	CONNECTOR, SNAP TIGHT		
J6311	PCB			LED EXPOSURE	CYAN	
J6311	VS1-6314-020		1	CONNECTOR, 20P, FEMALE		
J6311	VS1-6318-020		1	CONNECTOR, SNAP TIGHT		
J6312	PCB			LED EXPOSURE	BLACK	
J6312	VS1-6313-020		1	CONNECTOR, 20P, FEMALE		
J6312	VS1-6318-020		1	CONNECTOR, SNAP TIGHT		
J6313	VS4-0001-003		1	CONNECTOR, 3P, MALE		
J6313	VS4-0002-003		1	CONNECTOR, 3P, FEMALE		

FIGURE & KEY NO.	PARTS NUMBER	R A N K	Q'TY	DESCRIPTION	SERIAL NUMBER/ REMARKS	S V C
J6313	WS4-0217-000		3	SOCKET CONTACT, 22-18AWG		
J6313	WS4-0219-000		3	PIN CONTACT, 18-22AWG		
J6314	VS1-5452-007		2	CONNECTOR, 7P, FEMALE		
J6314	VS1-7507-007		1	CONNECTOR, SNAP TIGHT		
J6315	SYS			TO OPTION CASSETTE	ACCESSORY	
J6315	FK2-0247-000		1	CONNECTOR, FEMALE		
J6315	WS3-5596-000		4	PIN CONTACT, 18-24AWG		
J6316	VS1-5452-005		2	CONNECTOR, 5P, FEMALE		
J6316	VS1-5820-005		1	CONNECTOR, SNAP TIGHT		
J6317	VS1-7177-002		1	CONNECTOR, SNAP TIGHT		
J6317	VS1-5824-002		1	CONNECTOR, 2P, FEMALE		
J6317	VS1-6321-002		1	CONNECTOR, 2P, FEMALE		
J6317	WS3-5358-000		2	SOCKET CONTACT, 22-26AWG		
J6318	VS1-5452-007		2	CONNECTOR, 7P, FEMALE		
J6318	VS1-7507-007		1	CONNECTOR, SNAP TIGHT		
J6319	SYS			TO FINISHER/PAPER DECK	ACCESSORY	
J6319	FK2-0247-000		1	CONNECTOR, FEMALE		
J6319	VS1-5452-007		1	CONNECTOR, 7P, FEMALE		
J6319	WS3-5596-000		3	PIN CONTACT, 18-24AWG		
J6351	VS1-7177-008		1	CONNECTOR, SNAP TIGHT		
J6351	VS1-6321-008		2	CONNECTOR, 8P, FEMALE		
J6352	NPN			VERTICAL PATH CLUTCH	CL2	
J6352	VS1-7177-002		1	CONNECTOR, SNAP TIGHT		
J6352	VS1-6321-002		1	CONNECTOR, 2P, FEMALE		
J6353	NPN			VERTICAL PATH SENSOR	S11	
J6353	VS1-6321-003		1	CONNECTOR, 3P, FEMALE		
J6354	NPN			VERTICAL PATH DOOR SENSOR	S55	
J6354	VS1-6321-003		1	CONNECTOR, 3P, FEMALE		
J6355	VS1-7177-003		1	CONNECTOR, SNAP TIGHT		
J6355	VS1-6321-003		2	CONNECTOR, 3P, FEMALE		
J6356	NPN			REGISTRATION REAR SENSOR	S52	
J6356	VS1-6321-003		1	CONNECTOR, 3P, FEMALE		

FIGURE & KEY NO.	PARTS NUMBER	R A N K	Q'TY	DESCRIPTION	SERIAL NUMBER/ REMARKS	S V C
J6357	VS1-6314-010		2	CONNECTOR, 10P, FEMALE		
J6357	VS1-7173-010		1	CONNECTOR, SNAP TIGHT		
J6358	VS1-7177-003		1	CONNECTOR, SNAP TIGHT		
J6358	VS1-6321-003		2	CONNECTOR, 3P, FEMALE		
J6359	NPN			REGISTRATION FRONT SENSOR	S12	
J6359	VS1-6321-003		1	CONNECTOR, 3P, FEMALE		
J6360	NPN			MULTI PAPER FEED SENSOR	S15	
J6360	VS1-6321-003		1	CONNECTOR, 3P, FEMALE		
J6361	NPN			MIDDLE PLATE RELEASE SOLENOID	SL2	
J6361	VS1-7177-002		1	CONNECTOR, SNAP TIGHT		
J6361	VS1-6321-002		1	CONNECTOR, 2P, FEMALE		
J6362	NPN			MANUAL FEED CLUTCH	CL3	
J6362	VS1-7177-002		1	CONNECTOR, SNAP TIGHT		
J6362	VS1-6321-002		1	CONNECTOR, 2P, FEMALE		
J6363	VS1-6314-004		2	CONNECTOR, 4P, FEMALE		
J6363	VS1-7173-004		1	CONNECTOR, SNAP TIGHT		
J6364	NPN			MANUAL FEED PAPER WIDTH SENSOR	S46	
J6364	VS1-7177-004		1	CONNECTOR, SNAP TIGHT		
J6364	VS1-6321-004		1	CONNECTOR, 4P, FEMALE		
J6366	VS1-6314-006		2	CONNECTOR, 6P, FEMALE		
J6366	VS1-6318-006		1	CONNECTOR, SNAP TIGHT		
J6367	VS1-6314-006		2	CONNECTOR, 6P, FEMALE		
J6367	VS1-6318-006		1	CONNECTOR, SNAP TIGHT		
J6368	PCB			TRANSFER		
J6368	FH2-9241-000		1	CONNECTOR, SEPARATION H. V. T.		
J6369	VS1-6314-020		2	CONNECTOR, 20P, FEMALE		
J6369	VS1-6318-020		1	CONNECTOR, SNAP TIGHT		
J6370	FH2-9237-000		1	CONNECTOR, DRUM KIT H. V. T.		
J6370	VS1-7177-003		1	CONNECTOR, SNAP TIGHT		
J6370	VS1-6321-003		2	CONNECTOR, 3P, FEMALE		
J6370	VS4-0001-001		1	CONNECTOR, 1P, MALE		
J6370	WS4-0219-000		1	PIN CONTACT, 18-22AWG		

FIGURE & KEY NO.	PARTS NUMBER	R A N K	Q'TY	DESCRIPTION	SERIAL NUMBER/ REMARKS	S V C
J6371	FH2-9237-000		1	CONNECTOR, DRUM KIT H. V. T.		
J6371	VS4-0001-001		1	CONNECTOR, 1P, MALE		
J6371	WS4-0219-000		1	PIN CONTACT, 18-22AWG		
J6372	FH2-9237-000		1	CONNECTOR, DRUM KIT H. V. T.		
J6372	VS4-0001-001		1	CONNECTOR, 1P, MALE		
J6372	WS4-0219-000		1	PIN CONTACT, 18-22AWG		
J6373	FH2-9237-000		1	CONNECTOR, DRUM KIT H. V. T.		
J6373	VS4-0001-001		1	CONNECTOR, 1P, MALE		
J6373	WS4-0219-000		1	PIN CONTACT, 18-22AWG		
J6401	NPN			DRUM MOTOR	YELLOWM3	
J6401	VS3-5083-005		1	CONNECTOR, 5P, FEMALE		
J6401	WS3-5160-000		5	SOCKET CONTACT, 18-24AWG		
J6402	NPN			DRUM MOTOR	YELLOWM3	
J6402	VS1-6314-006		1	CONNECTOR, 6P, FEMALE		
J6403	NPN			DRUM MOTOR	MAGENTAM4	
J6403	VS3-5083-005		1	CONNECTOR, 5P, FEMALE		
J6403	WS3-5160-000		5	SOCKET CONTACT, 18-24AWG		
J6404	NPN			DRUM MOTOR	MAGENTAM4	
J6404	VS1-6314-006		1	CONNECTOR, 6P, FEMALE		
J6405	NPN			DRUM MOTOR	CYANM5	
J6405	VS3-5083-005		1	CONNECTOR, 5P, FEMALE		
J6405	WS3-5160-000		5	SOCKET CONTACT, 18-24AWG		
J6406	NPN			DRUM MOTOR	CYANM5	
J6406	VS1-6314-006		1	CONNECTOR, 6P, FEMALE		
J6407	NPN			DRUM MOTOR	BLACKM6	
J6407	VS3-5083-005		1	CONNECTOR, 5P, FEMALE		
J6407	WS3-5160-000		5	SOCKET CONTACT, 18-24AWG		
J6408	NPN			DRUM MOTOR	BLACKM6	
J6408	VS1-6314-006		1	CONNECTOR, 6P, FEMALE		
J6409	FG3-0722-000		1	CABLE, TRANSFER LOWER DRAWER		
J6409	VS1-6313-016		1	CONNECTOR, 16P, FEMALE		
J6409	VS1-6314-016		1	CONNECTOR, 16P, FEMALE		

FIGURE & KEY NO.	PARTS NUMBER	RANK	Q'TY	DESCRIPTION	SERIAL NUMBER/REMARKS	SVC
J6409	VS1-6328-032		1	CONNECTOR, 32P, FEMALE		
J6409	VT2-5161-032		1	HOLDER, CONNECTOR, 32P		
J6409	WS3-5607-000		4	SOCKET CONTACT, 20-24AWG		
J6410	NPN			TRANSFER MOTOR	M15	
J6410	VS3-5083-005		1	CONNECTOR, 5P, FEMALE		
J6410	WS3-5160-000		5	SOCKET CONTACT, 18-24AWG		
J6411	NPN			TRANSFER MOTOR	M15	
J6411	FG3-0722-000		1	CABLE, TRANSFER LOWER DRAWER		
J6413	FG3-0722-000		1	CABLE, TRANSFER LOWER DRAWER		
J6413	VS1-6314-007		1	CONNECTOR, 7P, FEMALE		
J6413	VS1-7173-007		1	CONNECTOR, SNAP TIGHT		
J6414	FG3-0722-000		1	CABLE, TRANSFER LOWER DRAWER		
J6414	VS1-7177-002		1	CONNECTOR, SNAP TIGHT		
J6414	VS1-6321-002		1	CONNECTOR, 2P, FEMALE		
J6415	NPN			WASTE TONER FEED MOTOR	M20	
J6415	FG3-0722-000		1	CABLE, TRANSFER LOWER DRAWER		
J6416	FG3-0722-000		1	CABLE, TRANSFER LOWER DRAWER		
J6416	VS1-6535-004		1	CONNECTOR, 4P, MALE		
J6416	WS3-5659-000		4	PIN CONTACT		
J6417	FG3-0722-000		1	CABLE, TRANSFER LOWER DRAWER		
J6417	VS1-6314-016		1	CONNECTOR, 16P, FEMALE		
J6417	VS1-6318-016		1	CONNECTOR, SNAP TIGHT		
J6418	NPN			TRANSFER BELT H. P. SENSOR	S51	
J6418	VS1-6321-003		1	CONNECTOR, 3P, FEMALE		
J6451	VS1-6314-008		2	CONNECTOR, 8P, FEMALE		
J6451	VS1-7173-008		1	CONNECTOR, SNAP TIGHT		
J6452	NPN			DEVELOPING CLUTCH	YELLOWCL5	
J6452	VS1-7177-002		1	CONNECTOR, SNAP TIGHT		
J6452	VS1-6321-002		1	CONNECTOR, 2P, FEMALE		
J6453	NPN			DEVELOPING CLUTCH	MAGENTACL7	
J6453	VS1-7177-002		1	CONNECTOR, SNAP TIGHT		
J6453	VS1-6321-002		1	CONNECTOR, 2P, FEMALE		

FIGURE & KEY NO.	PARTS NUMBER	RANK	Q'TY	DESCRIPTION	SERIAL NUMBER/REMARKS	SVC
J6454	NPN			DEVELOPING CLUTCH	CYANCL9	
J6454	VS1-7177-002		1	CONNECTOR, SNAP TIGHT		
J6454	VS1-6321-002		1	CONNECTOR, 2P, FEMALE		
J6455	NPN			DEVELOPING CLUTCH	BLACKCL11	
J6455	VS1-7177-002		1	CONNECTOR, SNAP TIGHT		
J6455	VS1-6321-002		1	CONNECTOR, 2P, FEMALE		
J6456	VS1-6314-011		2	CONNECTOR, 11P, FEMALE		
J6456	VS1-6318-011		1	CONNECTOR, SNAP TIGHT		
J6457	NPN			CORONA CLUTCH	YELLOWCL6	
J6457	VS1-7177-003		1	CONNECTOR, SNAP TIGHT		
J6457	VS1-6321-003		1	CONNECTOR, 3P, FEMALE		
J6458	NPN			CORONA CLUTCH	MAGENTA CL8	
J6458	VS1-7177-003		1	CONNECTOR, SNAP TIGHT		
J6458	VS1-6321-003		1	CONNECTOR, 3P, FEMALE		
J6459	NPN			CORONA CLUTCH	CYANCL10	
J6459	VS1-7177-003		1	CONNECTOR, SNAP TIGHT		
J6459	VS1-6321-003		1	CONNECTOR, 3P, FEMALE		
J6460	NPN			CORONA CLUTCH	BLACKCL12	
J6460	VS1-7177-003		1	CONNECTOR, SNAP TIGHT		
J6460	VS1-6321-003		1	CONNECTOR, 3P, FEMALE		
J6461	NPN			PAPER PICK-UP MOTOR	M2	
J6461	VS1-6314-006		1	CONNECTOR, 6P, FEMALE		
J6462	VS1-6314-006		2	CONNECTOR, 6P, FEMALE		
J6462	VS1-6318-006		1	CONNECTOR, SNAP TIGHT		
J6463	NPN			TRANSFER SWING SENSOR 1	S49	
J6463	VS1-6321-003		1	CONNECTOR, 3P, FEMALE		
J6464	NPN			TRANSFER SWING SENSOR 2	S50	
J6464	VS1-6321-003		1	CONNECTOR, 3P, FEMALE		
J6465	NPN			TRANSFER SWING CLUTCH	CL23	
J6465	VS1-7177-002		1	CONNECTOR, SNAP TIGHT		
J6465	VS1-6321-002		1	CONNECTOR, 2P, FEMALE		
J6466	NPN			PICKUP ACCELERATOR CLUTCH	CL13	

FIGURE & KEY NO.	PARTS NUMBER	R A N K	Q'TY	DESCRIPTION	SERIAL NUMBER/ REMARKS	S V C
J6466	VS1-7177-002		1	CONNECTOR, SNAP TIGHT		
J6466	VS1-6321-002		1	CONNECTOR, 2P, FEMALE		
J6467	NPN			REGISTRATION CLUTCH	CL4	
J6467	VS1-7177-002		1	CONNECTOR, SNAP TIGHT		
J6467	VS1-6321-002		1	CONNECTOR, 2P, FEMALE		
J6469	NPN			PROCESS COOLING FAN	FM10	
J6469	VS1-6321-003		1	CONNECTOR, 3P, FEMALE		
J6470	VS1-7177-003		1	CONNECTOR, SNAP TIGHT		
J6470	VS1-6321-003		2	CONNECTOR, 3P, FEMALE		
J6471	NPN			UPPER P. PICK-UP RETRY SENSOR	S9	
J6471	VS1-6321-003		1	CONNECTOR, 3P, FEMALE		
J6472	NPN			LOWER P. PICK-UP RETRY SENSOR	S10	
J6472	VS1-6321-003		1	CONNECTOR, 3P, FEMALE		
J6480	PCB			REGISTRATION MOTOR	imageRUNNER C2058iR C2105/2105SCP2155/ 2125 M21	
J6480	VS1-6321-004		1	CONNECTOR, 4P, FEMALE	imageRUNNER C2058iR C2105/2105SCP2155/ 2125	
J6501	VS1-5452-003		2	CONNECTOR, 3P, FEMALE		
J6501	VS1-5820-003		1	CONNECTOR, SNAP TIGHT		
J6502	VS1-5452-006		2	CONNECTOR, 6P, FEMALE		
J6502	VS1-7507-006		1	CONNECTOR, SNAP TIGHT		
J6503	VS1-5452-009		2	CONNECTOR, 9P, FEMALE		
J6503	VS1-5820-009		1	CONNECTOR, SNAP TIGHT		
J6504	NPN			CLEANING ROLLER SENSOR	S24	
J6504	FG3-0715-000		1	CABLE, FIXING DRAWER		
J6505	NPN			FIXING THERMISTOR 1	TH1	
J6505	FG3-0715-000		1	CABLE, FIXING DRAWER		
J6506	NPN			FIXING THERMISTOR 2	TH2	
J6506	FG3-0715-000		1	CABLE, FIXING DRAWER		
J6507	FG3-0715-000		1	CABLE, FIXING DRAWER		
J6507	VS1-7440-006		1	CONNECTOR, SNAP TIGHT		
J6507	VS1-5824-006		1	CONNECTOR, 6P, FEMALE		

FIGURE & KEY NO.	PARTS NUMBER	RANK	Q'TY	DESCRIPTION	SERIAL NUMBER/REMARKS	SVC
J6507	WS3-5358-000		6	SOCKET CONTACT, 22-26AWG		
J6508	NPN			FIXING PAPER INLET SENSOR	S25	
J6508	VS1-5824-003		1	CONNECTOR, 3P, FEMALE		
J6508	WS3-5358-000		3	SOCKET CONTACT, 22-26AWG		
J6509	NPN			FIXING PAPER INLET LOOP SENSOR	S26	
J6509	VS1-5824-003		1	CONNECTOR, 3P, FEMALE		
J6509	WS3-5358-000		3	SOCKET CONTACT, 22-26AWG		
J6510	NPN			INTERNAL PAPER DELIVERY SENSOR	S27	
J6510	FG3-0715-000		1	CABLE, FIXING DRAWER		
J6511	VS1-6314-006		2	CONNECTOR, 6P, FEMALE		
J6511	VS1-6318-006		1	CONNECTOR, SNAP TIGHT		
J6512	VS1-7177-002		1	CONNECTOR, SNAP TIGHT		
J6512	VS1-5824-002		1	CONNECTOR, 2P, FEMALE		
J6512	VS1-6321-002		1	CONNECTOR, 2P, FEMALE		
J6512	WS3-5358-000		2	SOCKET CONTACT, 22-26AWG		
J6513	VS1-7177-002		1	CONNECTOR, SNAP TIGHT		
J6513	VS1-5824-002		1	CONNECTOR, 2P, FEMALE		
J6513	VS1-6321-002		1	CONNECTOR, 2P, FEMALE		
J6513	WS3-5358-000		2	SOCKET CONTACT, 22-26AWG		
J6514	VS1-7177-003		1	CONNECTOR, SNAP TIGHT		
J6514	VS1-5824-003		2	CONNECTOR, 3P, FEMALE		
J6514	WS3-5358-000		4	SOCKET CONTACT, 22-26AWG		
J6515	VS1-6534-003		1	CONNECTOR, 3P, FEMALE		
J6515	VS1-6535-003		1	CONNECTOR, 3P, MALE		
J6515	WS3-5658-000		2	SOCKET CONTACT		
J6515	WS3-5659-000		2	PIN CONTACT		
J6516	VS1-6534-003		1	CONNECTOR, 3P, FEMALE		
J6516	VS1-6535-003		1	CONNECTOR, 3P, MALE		
J6516	WS3-5658-000		2	SOCKET CONTACT		
J6516	WS3-5659-000		2	PIN CONTACT		
J6517	NPN			CLEANING BELT SOLENOID	SL4	
J6517	VS1-6321-002		1	CONNECTOR, 2P, FEMALE		

FIGURE & KEY NO.	PARTS NUMBER	R A N K	Q'TY	DESCRIPTION	SERIAL NUMBER/ REMARKS	S V C
J6518	NPN			FIXING MOTOR	M16	
J6518	VS1-6314-006		1	CONNECTOR, 6P, FEMALE		
J6519	VS1-7177-003		1	CONNECTOR, SNAP TIGHT		
J6519	VS1-6321-003		2	CONNECTOR, 3P, FEMALE		
J6520	NPN			MACHINE COOLING FAN	FM4	
J6520	VS1-7177-003		1	CONNECTOR, SNAP TIGHT		
J6520	VS1-6321-003		1	CONNECTOR, 3P, FEMALE		
J6521	VS1-7177-003		1	CONNECTOR, SNAP TIGHT		
J6521	VS1-6321-003		2	CONNECTOR, 3P, FEMALE		
J6522	NPN			PAPER DELIVERY FAN	FM2	
J6522	VS1-7177-003		1	CONNECTOR, SNAP TIGHT	PLAIN TYPE	
J6522	VS1-6321-003		1	CONNECTOR, 3P, FEMALE		
J6523	NPN			FIXING CLUTCH	CL14	
J6523	VS1-7177-002		1	CONNECTOR, SNAP TIGHT		
J6523	VS1-6321-002		1	CONNECTOR, 2P, FEMALE		
J6524	NPN			FIXING ACCELERATOR CLUTCH	CL22	
J6524	VS1-7177-003		1	CONNECTOR, SNAP TIGHT		
J6524	VS1-6321-003		1	CONNECTOR, 3P, FEMALE		
J6525	VS1-7177-003		1	CONNECTOR, SNAP TIGHT		
J6525	VS1-5824-003		2	CONNECTOR, 3P, FEMALE		
J6525	WS3-5358-000		4	SOCKET CONTACT, 22-26AWG		
J6526	NPN			FIXING FAN	FM1	
J6526	VS1-6321-003		1	CONNECTOR, 3P, FEMALE		
J6551	VS1-6314-012		2	CONNECTOR, 12P, FEMALE		
J6551	VS1-7173-012		1	CONNECTOR, SNAP TIGHT		
J6552	VS1-7178-006		1	CONNECTOR, 6P, FEMALE		
J6552	VS1-7440-006		1	CONNECTOR, SNAP TIGHT		
J6552	VS1-6321-006		1	CONNECTOR, 6P, FEMALE		
J6553	VS1-7178-006		1	CONNECTOR, 6P, FEMALE		
J6553	VS1-7440-006		1	CONNECTOR, SNAP TIGHT		
J6553	VS1-6321-006		1	CONNECTOR, 6P, FEMALE		
J6555	VS1-6314-011		2	CONNECTOR, 11P, FEMALE		

FIGURE & KEY NO.	PARTS NUMBER	RANK	Q'TY	DESCRIPTION	SERIAL NUMBER/REMARKS	SVC
J6555	VS1-6318-011		1	CONNECTOR, SNAP TIGHT	DUPLEX TYPE	
J6556	VS1-6314-012		2	CONNECTOR, 12P, FEMALE	DUPLEX TYPE	
J6556	VS1-7173-012		1	CONNECTOR, SNAP TIGHT	DUPLEX TYPE	
J6557	VS1-7177-008		1	CONNECTOR, SNAP TIGHT	DUPLEX TYPE	
J6557	VS1-6321-008		2	CONNECTOR, 8P, FEMALE	DUPLEX TYPE	
J6558	NPN			FACE DOWN REVERSING CLUTCH	DUPLEX TYPECL17	
J6558	NPN			EXTERNAL PAPER DELIVERY SENSOR	DUPLEX TYPES28	
J6558	VS1-7177-002		1	CONNECTOR, SNAP TIGHT	DUPLEX TYPE	
J6558	VS1-6321-002		1	CONNECTOR, 2P, FEMALE	DUPLEX TYPE	
J6558	VS1-6321-003		1	CONNECTOR, 3P, FEMALE	DUPLEX TYPE	
J6559	NPN			REVERSAL ASSEMBLY CW CLUTCH	DUPLEX TYPECL18	
J6559	VS1-7177-002		1	CONNECTOR, SNAP TIGHT	DUPLEX TYPE	
J6559	VS1-6321-002		1	CONNECTOR, 2P, FEMALE	DUPLEX TYPE	
J6560	NPN			FACE DOWN DOUBLE SPEED CLUTCH	DUPLEX TYPECL15	
J6560	VS1-7177-002		1	CONNECTOR, SNAP TIGHT	DUPLEX TYPE	
J6560	VS1-6321-002		1	CONNECTOR, 2P, FEMALE	DUPLEX TYPE	
J6561	NPN			EXT. DEL. DOUBLE SPEED CLUTCH	DUPLEX TYPECL16	
J6561	VS1-7177-002		1	CONNECTOR, SNAP TIGHT	DUPLEX TYPE	
J6561	VS1-6321-002		1	CONNECTOR, 2P, FEMALE	DUPLEX TYPE	
J6562	NPN			BACK SURFACE UNIT SENSOR	DUPLEX TYPES56	
J6562	VS1-6321-003		1	CONNECTOR, 3P, FEMALE	DUPLEX TYPE	
J6563	VS1-6314-013		1	CONNECTOR, 13P, FEMALE		
J6563	VS1-6314-013		1	CONNECTOR, 13P, FEMALE	DUPLEX TYPE	
J6563	VS1-6318-013		1	CONNECTOR, SNAP TIGHT	DUPLEX TYPE	
J6564	VS1-6314-013		2	CONNECTOR, 13P, FEMALE	DUPLEX TYPE	
J6564	VS1-6318-013		1	CONNECTOR, SNAP TIGHT	DUPLEX TYPE	
J6565	VS1-6314-011		2	CONNECTOR, 11P, FEMALE	DUPLEX TYPE	
J6565	VS1-6318-011		1	CONNECTOR, SNAP TIGHT	DUPLEX TYPE	
J6566	NPN			DELIVERY VERTICAL PATH SENSOR	DUPLEX TYPES29	
J6566	VS1-6321-003		1	CONNECTOR, 3P, FEMALE	DUPLEX TYPE	
J6569	NPN			P. DELIVERY FLAPPER SOLENOID	DUPLEX TYPESL5	
J6569	VS1-7177-002		1	CONNECTOR, SNAP TIGHT	DUPLEX TYPE	

FIGURE & KEY NO.	PARTS NUMBER	RANK	Q'TY	DESCRIPTION	SERIAL NUMBER/REMARKS	SVC
J6569	VS1-6321-002		1	CONNECTOR, 2P, FEMALE	DUPLEX TYPE	
J6570	NPN			CURL RELEASE FAN		
J6570	VS1-7177-003		1	CONNECTOR, SNAP TIGHT	DUPLEX TYPE	
J6570	VS1-6321-003		1	CONNECTOR, 3P, FEMALE	DUPLEX TYPE	
J6571	VS1-6314-011		2	CONNECTOR, 11P, FEMALE		
J6571	VS1-6318-011		1	CONNECTOR, SNAP TIGHT		
J6572	NPN			BUFFER SENSOR	YELLOW20	
J6572	VS1-6321-003		1	CONNECTOR, 3P, FEMALE		
J6573	PCB			BUFFER MOTOR	YELLOWM7	
J6573	VS1-7440-006		1	CONNECTOR, SNAP TIGHT		
J6573	VS1-6321-006		1	CONNECTOR, 6P, FEMALE		
J6574	NPN			TONER CARTRIDGE MOTOR	YELLOWM11	
J6574	VS1-7177-002		1	CONNECTOR, SNAP TIGHT		
J6574	VS1-6321-002		1	CONNECTOR, 2P, FEMALE		
J6575	VS1-6313-011		1	CONNECTOR, 11P, FEMALE		
J6575	VS1-6314-011		1	CONNECTOR, 11P, FEMALE		
J6575	VS1-6318-011		1	CONNECTOR, SNAP TIGHT		
J6576	NPN			BUFFER SENSOR	MAGENTAS21	
J6576	VS1-6321-003		1	CONNECTOR, 3P, FEMALE		
J6577	PCB			BUFFER MOTOR	MAGENTAM8	
J6577	VS1-7440-006		1	CONNECTOR, SNAP TIGHT		
J6577	VS1-6321-006		1	CONNECTOR, 6P, FEMALE		
J6578	NPN			TONER CARTRIDGE MOTOR	MEGENTAM12	
J6578	VS1-7177-002		1	CONNECTOR, SNAP TIGHT		
J6578	VS1-6321-002		1	CONNECTOR, 2P, FEMALE		
J6579	VS1-6314-011		2	CONNECTOR, 11P, FEMALE		
J6579	VS1-6318-011		1	CONNECTOR, SNAP TIGHT		
J6580	NPN			BUFFER SENSOR	CYANS22	
J6580	VS1-6321-003		1	CONNECTOR, 3P, FEMALE		
J6581	PCB			BUFFER MOTOR	CYANM9	
J6581	VS1-7440-006		1	CONNECTOR, SNAP TIGHT		
J6581	VS1-6321-006		1	CONNECTOR, 6P, FEMALE		

FIGURE & KEY NO.	PARTS NUMBER	R A N K	Q'TY	DESCRIPTION	SERIAL NUMBER/ REMARKS	S V C
J6582	NPN			TONER CARTRIDGE MOTOR	CYANM13	
J6582	VS1-7177-002		1	CONNECTOR, SNAP TIGHT		
J6582	VS1-6321-002		1	CONNECTOR, 2P, FEMALE		
J6583	VS1-6313-011		1	CONNECTOR, 11P, FEMALE		
J6583	VS1-6314-011		1	CONNECTOR, 11P, FEMALE		
J6583	VS1-6318-011		1	CONNECTOR, SNAP TIGHT		
J6584	NPN			BUFFER SENSOR	BLACKS23	
J6584	VS1-6321-003		1	CONNECTOR, 3P, FEMALE		
J6585	PCB			BUFFER MOTOR	BLACKM10	
J6585	VS1-7440-006		1	CONNECTOR, SNAP TIGHT		
J6585	VS1-6321-006		1	CONNECTOR, 6P, FEMALE		
J6586	NPN			TONER CARTRIDGE MOTOR	BLACKM14	
J6586	VS1-7177-002		1	CONNECTOR, SNAP TIGHT		
J6586	VS1-6321-002		1	CONNECTOR, 2P, FEMALE		
J6587	VS1-7177-005		1	CONNECTOR, SNAP TIGHT	DUPLEX TYPE	
J6587	VS1-6321-005		2	CONNECTOR, 5P, FEMALE	DUPLEX TYPE	
J6601	VS1-6313-015		2	CONNECTOR, 15P, FEMALE		
J6601	VS1-6314-015		2	CONNECTOR, 15P, FEMALE		
J6601	VS1-6319-030		1	CONNECTOR, SNAP TIGHT		
J6601	VT2-5161-030		2	HOLDER, CONNECTOR, 30P		
J6602	VS1-7178-002		2	CONNECTOR, 2P, FEMALE		
J6602	VS1-7177-002		1	CONNECTOR, SNAP TIGHT		
J6603	SYS			TO CC4	ACCESSORY	
J6603	VS1-0279-004		1	CONNECTOR, 4P, FEMALE		
J6603	VS1-0280-004		1	CONNECTOR, 4P, MALE		
J6603	WS3-0469-000		2	SOCKET CONTACT, 26-30AWG		
J6603	WS3-1057-000		4	PIN CONTACT, 20-30AWG		
J6604	VS1-7177-002		1	CONNECTOR, SNAP TIGHT		
J6604	VS1-6321-002		2	CONNECTOR, 2P, FEMALE		
J6606	SYS			TO CCX CONTROLLER	ACCESSORY	
J6606	VS1-6321-008		1	CONNECTOR, 8P, FEMALE		
J6607	SYS			TO CCX CONTROLLER	ACCESSORY	

FIGURE & KEY NO.	PARTS NUMBER	RANK	Q'TY	DESCRIPTION	SERIAL NUMBER/REMARKS	SVC
J6607	VS1-6321-009		1	CONNECTOR, 9P, FEMALE	ACCESSORY	
J6608	SYS			TO CCX		
J6608	VS1-6321-009		1	CONNECTOR, 9P, FEMALE	ACCESSORY	
J6610	SYS			TO COIN ROBO		
J6610	VS1-6321-012		1	CONNECTOR, 12P, FEMALE		
J6612	VS1-7177-002		1	CONNECTOR, SNAP TIGHT		
J6612	VS1-6321-002		2	CONNECTOR, 2P, FEMALE		
J6613	VS1-6313-015		2	CONNECTOR, 15P, FEMALE		
J6613	VS1-6314-015		2	CONNECTOR, 15P, FEMALE		
J6613	VS1-6319-030		1	CONNECTOR, SNAP TIGHT		
J6613	VT2-5161-030		2	HOLDER, CONNECTOR, 30P		
J6614	VS1-7178-002		1	CONNECTOR, 2P, FEMALE		
J6614	VS1-7177-002		1	CONNECTOR, SNAP TIGHT		
J6614	VS1-6321-002		1	CONNECTOR, 2P, FEMALE		

CASSETTE FEEDING UNIT-U1/ U2(Parts Catalog)

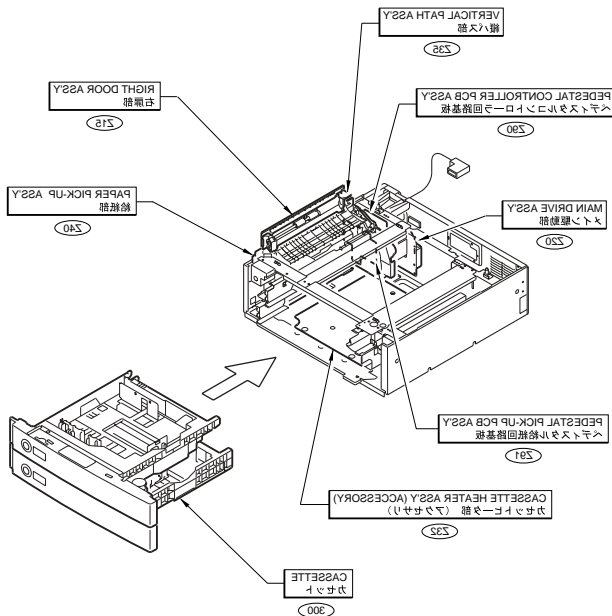
CASSETTE FEEDING UNIT-U1/U2

F25-3811	XBJ00001-
F25-3821	XHG00001-
F25-3831	XHK00001-

Contents

ZA	ASSEMBLY LOCATION DIAGRAM	4-1
Z10	EXTERNAL COVERS, PANELS, ETC.	4-2
Z11	MACHINE INTERNAL COMPONENTS	4-3
Z15	RIGHT DOOR ASSEMBLY	4-6
Z20	MAIN DRIVE ASSEMBLY	4-7
Z32	CASSETTE HEATER ASSEMBLY (ACCESSORY)	4-8
Z35	VERTICAL PATH ASSEMBLY	4-9
Z40	PAPER PICK-UP ASSEMBLY	4-11
Z90	PEDESTAL CONTROLLER PCB ASSEMBLY	4-16
Z91	PEDESTAL PICK-UP PCB ASSEMBLY	4-17
Z95	POWER SUPPLY ASSEMBLY (U2(W/M1) TYPE).....	4-18
ZB	LIST OF CONNECTORS.....	4-20

FIGURE ZA ASSEMBLY LOCATION DIAGRAM



Cassette Feeding Unit-U2(w/M1) TYPE

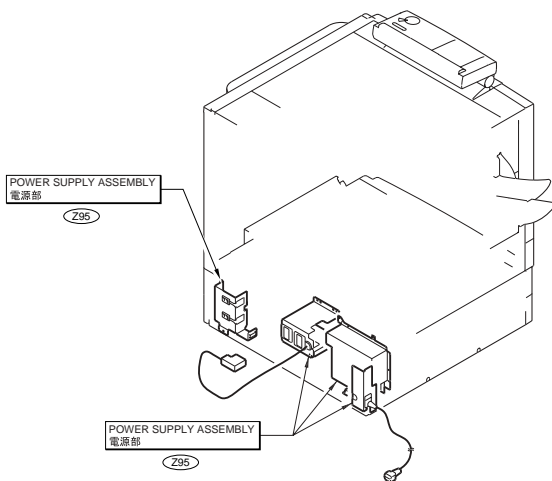


FIGURE Z10 EXTERNAL COVERS, PANELS, ETC.

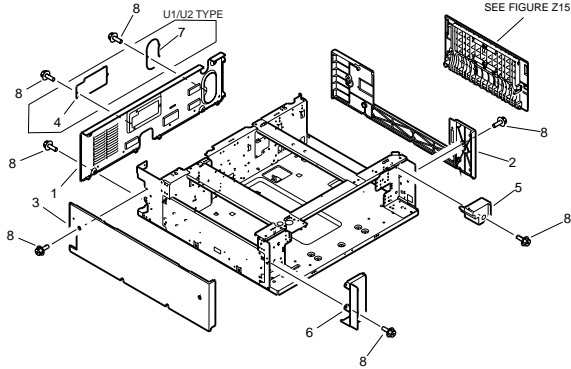
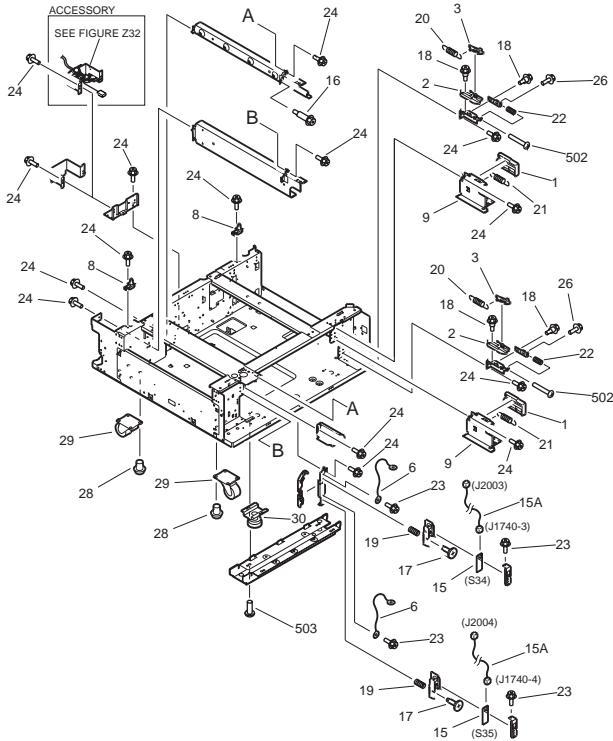


FIGURE & KEY NO.	PARTS NUMBER	RANK	Q'TY	DESCRIPTION	SERIAL NUMBER/REMARKS	SVC
Fig.Z10	NPN		RF	EXTERNAL COVERS, PANELS, ETC.		
1	FB5-1746-000		1	PANEL, REAR		
2	FB5-1747-000		1	PANEL, RIGHT		
3	FB5-1748-000		1	PANEL, LEFT		
4	FB5-3769-000		1	COVER, CONNECTOR MOUNT	U1/U2 TYPE	
5	FB5-3771-000		1	COVER, INTERNAL, RIGHT		
6	FB5-3772-000		1	COVER, INTERNAL, LEFT		
7	FB5-3855-000		1	COVER, OUTLET MOUNT	U1/U2 TYPE	
8	XA9-0732-000		AR	SCREW,RS,M4X8		

FIGURE Z11 MACHINE INTERNAL COMPONENTS



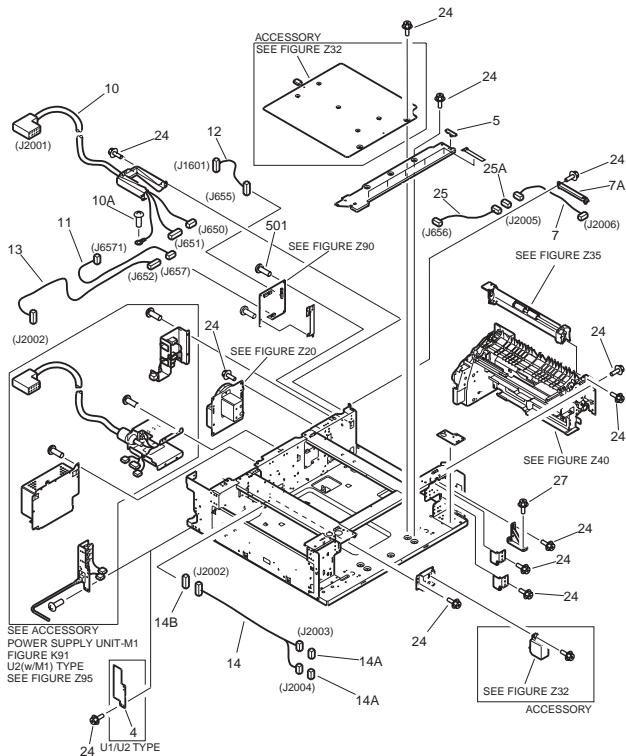


FIGURE & KEY NO.	PARTS NUMBER	RANK	QTY	DESCRIPTION	SERIAL NUMBER/REMARKS	SVC
Fig.Z11	NPN		RF	MACHINE INTERNAL COMPONENTS		
1	FB5-3928-000		2	COVER, RIGHT RAIL		
2	FB3-2937-000		2	BLOCK, CASSETTE STOP		
3	FB5-1471-000		2	LEVER, CLICK		
4	FB5-3773-000		1	COVER, CABLE MOUNT	U1/U2 TYPE	
5	FB5-3801-000		1	PLATE, C. RIGHT RAIL SPACER		
6	FF3-1171-000		2	CABLE, GROUNDING		
7	FF3-1318-000		1	CABLE, RIGHT DOOR	J2005,2006	
7A	FB3-4158-000		1	COVER, CABLE		
8	FF6-0792-000		2	PIN, POSITIONING		
9	FF5-9338-000		2	RAIL, RIGHT		

FIGURE & KEY NO.	PARTS NUMBER	R A N K	Q'TY	DESCRIPTION	SERIAL NUMBER/ REMARKS	S V C
10	FG3-0800-000		1	INTERFACE CABLE	J650,651,2001	
10A	XA9-0265-010		1	SCREW,W/WASHER,TRUSS HEAD		
11	FG3-0801-000		1	CABLE, MOTOR	U1 TYPEJ657,6571	
11	FG3-0830-000		1	CABLE, MOTOR	U2/U2(W/M1) TYPEJ657,6571	
12	FG3-0802-000		1	CABLE, PAPER PICK-UP	J655,1601	
13	FG3-0803-000		1	CABLE, SIZE SENSOR	J652,2002	
14	FG3-0804-000		1	CABLE, SIZE SENSOR CONNECTING	J2002-2004	
14A	VS1-7440-006		2	CONNECTOR, SNAP TIGHT	J2003,2004	
14B	VS1-7177-012		1	CONNECTOR, SNAP TIGHT	J2002	
15	FG5-6288-000		2	CASSETTE SIZE SENSOR PCB ASS'Y	S34,35	
15A	FF3-1170-000		1	CABLE, CASSETTE SIZE	J2003,1740-3J2004,1740-4	
16	FS5-9222-000		1	SCREW,STEPPED,M4		
17	FS5-9397-000		2	SCREW,STEPPED,M4		
18	FS5-9608-000		6	SCREW,STEPPED,M6.2X2.1		
19	FS7-2547-000		2	SPRING,COMPRESSION		
20	FS7-2287-000		2	SPRING, TENSION		
21	FS7-2288-000		2	SPRING, TENSION		
22	FS7-2305-000		2	SPRING, COMPRESSION		
23	XA9-0626-000		4	SCREW,RS,M3X6		
24	XA9-0732-000		AR	SCREW,RS,M4X8		
25	FF3-4134-000		1	CABLE, PICK-UP CONNECTING	J656,2005	
25A	VS1-7177-003		1	CONNECTOR, SNAP TIGHT	J2005	
26	XA9-0629-000		2	SCREW,RS,M4X8		
27	XA9-0857-000		1	SCREW,RS,M4X8		
28	XA9-0790-000		16	SCREW,ALLEN HEAD,M8X8		
29	XZ9-0367-000		4	CASTER		
30	XZ9-0410-000		2	FOOT, HEIGHT-ADJUSTING		
501	XB1-2300-607		4	SCREW,MACH.,TRUSS HEAD,M3X6		
502	XB1-2402-009		2	SCREW,MACH.,TRUSS HEAD,M4X20		
503	XB6-7400-609		4	SCREW,TP,M4X6		

FIGURE Z15 RIGHT DOOR ASSEMBLY

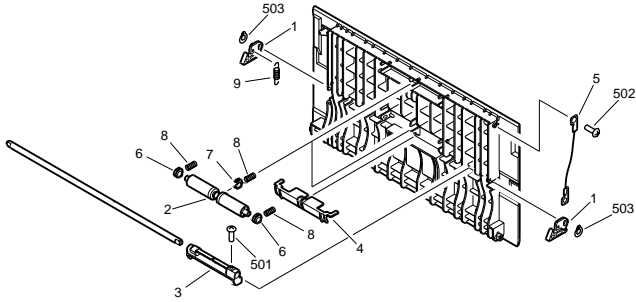


FIGURE & KEY NO.	PARTS NUMBER	RANK	QTY	DESCRIPTION	SERIAL NUMBER/REMARKS	SVC
Fig.Z15	FG6-5198-000		1	RIGHT DOOR ASSEMBLY	U1 TYPE	
Fig.Z15	FG6-9256-000		1	RIGHT DOOR ASSEMBLY	U2/U2(W/M1) TYPE	
1	FB3-2837-000		2	HOOK, RIGHT DOOR		
2	FB3-2811-000		2	ROLLER, BELT IDLER	U1 TYPE	
2	FG6-9254-000		2	ROLLER, BELT IDLER	U2/U2(W/M1) TYPE	
3	FB3-4151-000		1	KNOB		
4	FB3-4154-000		1	COVER, KNOB		
5	FB5-2340-000		1	WIRE, DOOR STOP		
6	FS5-1595-000		4	BLOCK, ROLLER		
7	FS5-1598-000		2	BLOCK, ROLLER		
8	FS6-2308-000		6	SPRING, COMPRESSION		
9	FS7-2363-000		1	SPRING, TENSION		
501	XB1-2400-809		1	SCREW,MACH.,TRUSS HEAD,M4X8		
502	XB4-7400-809		1	SCREW,TAPPING,TRUSS HEAD,M4X8		
503	XD2-2100-502		2	RING,GRIP		

FIGURE Z20 MAIN DRIVE ASSEMBLY

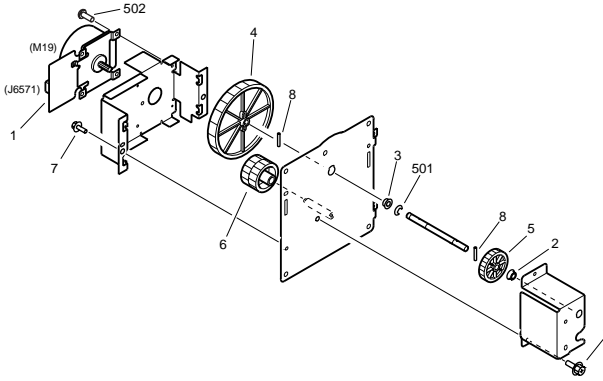


FIGURE & KEY NO.	PARTS NUMBER	RANK	Q'TY	DESCRIPTION	SERIAL NUMBER/REMARKS	SVC
Fig.Z20	FG6-5197-000		1	MAIN DRIVE ASSEMBLY	U1 TYPE	
Fig.Z20	FG6-9257-000		1	MAIN DRIVE ASSEMBLY	U2/U2(W/M1) TYPE	
1	FH6-1699-000		1	MOTOR, DC BRUSH	U1 TYP M19 J6571	
1	FH6-1732-000		1	MOTOR, DC BRUSH	U2/U2(W/M1) TYP M19 J6571	
2	FS1-1401-000		1	BUSHING		
3	FS5-1685-000		1	BUSHING		
4	FS6-0634-000		1	GEAR, 88T		
5	FS6-0635-000		1	GEAR, 44T		
6	FS7-0521-000		1	GEAR, 65T/33T		
7	XA9-0732-000		4	SCREW,RS,M4X8		
8	XD9-0121-000		2	PIN,DOWEL		
501	XD2-1200-502		1	RING,E		
502	XB6-7300-609		4	SCREW,TP,M3X6		

FIGURE Z32 CASSETTE HEATER ASSEMBLY (ACCESSORY)

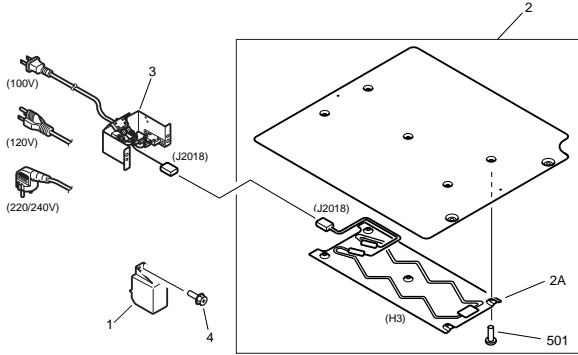


FIGURE & KEY NO.	PARTS NUMBER	RANK	Q'TY	DESCRIPTION	SERIAL NUMBER/REMARKS	SVC
Fig.Z32	NPN		RF	CASSETTE HEATER ASSEMBLY	ACCESSORY	
1	FB5-1529-000		1	COVER, C. HEATER CONNECTOR		
2	FG6-5866-000		1	CASSETTE HEATER ASSEMBLY	120V	
2	FG6-5867-000		1	CASSETTE HEATER UNIT	220/240V	
2A	FH7-4669-000		1	HEATER	120V H3 J2018	
2A	FH7-4509-000		1	HEATER, CASSETTE	220/240V H3 J2018	
3	FG6-5872-000		1	POWER CORD TERMINAL UNIT	120V J2018	
3	FG6-5874-000		1	POWER CORD TERMINAL UNIT	220/240V J2018	
4	XA9-0629-000		3	SCREW,RS,M4X8		
501	XB1-2400-407		5	SCREW,MACH.,TRUSS HEAD,M4X4		

FIGURE Z35 VERTICAL PATH ASSEMBLY

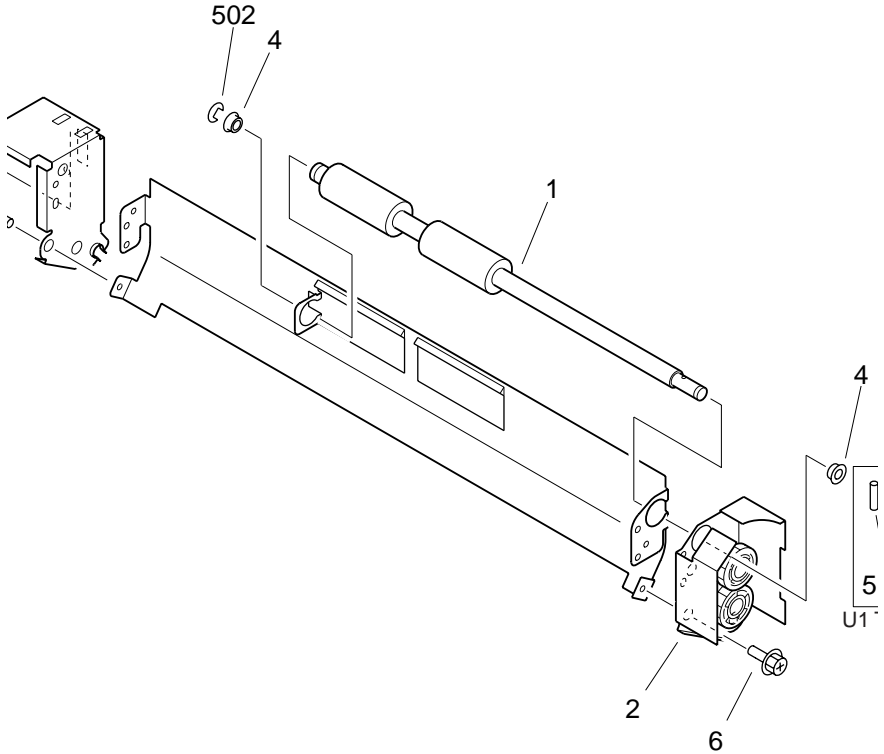
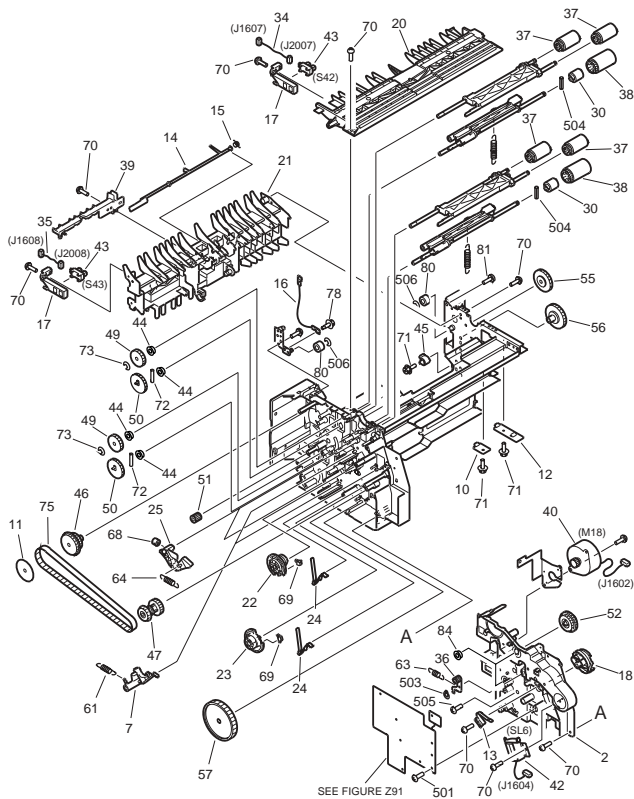


FIGURE & KEY NO.	PARTS NUMBER	RANK	QTY	DESCRIPTION	SERIAL NUMBER/REMARKS	SVC
Fig.Z35	FG6-5861-000		1	VERTICAL PATH ASSEMBLY	U1 TYPE	
Fig.Z35	FG6-9255-000		1	VERTICAL PATH ASSEMBLY	U2/U2(W/M1) TYPE	
1	FB5-3858-000		1	ROLLER, VERTICAL PATH	U1 TYPE	
1	FB6-4245-000		1	ROLLER, VERTICAL PATH	U2/U2(W/M1) TYPE	
2	FF5-4908-000		1	BOX, GEAR		
3	FK2-0149-000		1	PHOTO-INTERRUPTER	S45 J2006	
4	FS5-1594-020		2	BUSHING		
5	FS6-0629-000		1	GEAR, 16T	U1 TYPE	
5	FU3-0386-000		1	GEAR, 16T	U2/U2(W/M1) TYPE	
6	XA9-0626-000		4	SCREW,RS,M3X6		
501	XD2-1100-502		1	RING,E		

FIGURE & KEY NO.	PARTS NUMBER	R A N K	Q'TY	DESCRIPTION	SERIAL NUMBER/ REMARKS	S V C
502	XD2-1100-642		1	RING,E		
503	XD3-2200-082		1	PIN,DOWEL	U1 TYPE	

FIGURE Z40 PAPER PICK-UP ASSEMBLY



NOTE : This assembly includes the assembly shown in Figure Z91 .

注 : このユニットはFigure Z91のユニットを含みます。

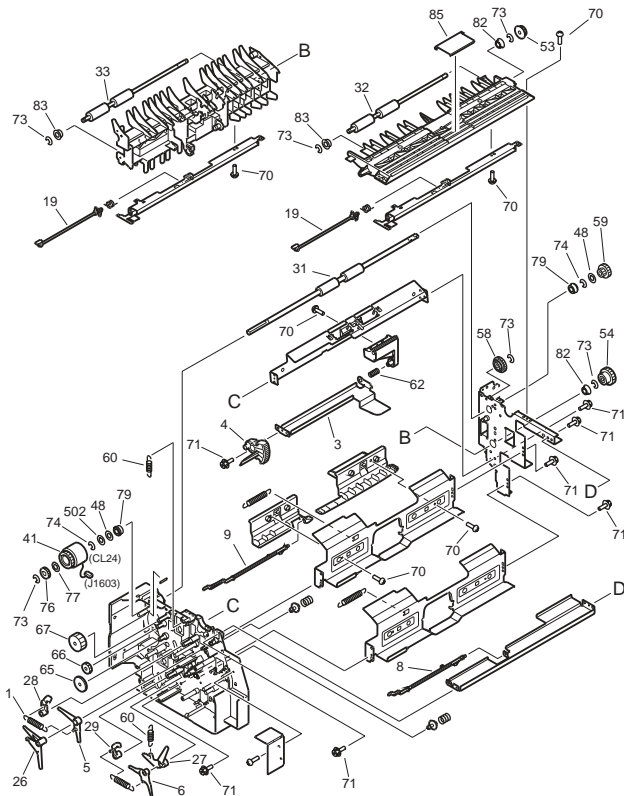


FIGURE & KEY NO.	PARTS NUMBER	RANK	QTY	DESCRIPTION	SERIAL NUMBER/REMARKS	SVC
Fig.Z40	FG6-5196-000		1	PAPER PICK-UP ASSEMBLY	SEE NOTE	
1	FA9-3611-000		1	SPRING, TENSION		
2	FB3-2844-000		1	COVER, FRAME		
3	FB3-2855-020		2	PLATE, LIFTER		
4	FB3-2856-020		2	GEAR, RATCHET		
5	FB3-2863-000		1	LEVER, LIFTER, UPPER		
6	FB3-2864-000		1	LEVER, LIFTER, LOWER		
7	FB3-2868-020		2	CLAW, LIFTER LOCK		
8	FB3-2880-000		1	FLAG, PAPER SENSOR, UPPER		
9	FB3-2881-000		1	FLAG, PAPER SENSOR, LOWER		

FIGURE & KEY NO.	PARTS NUMBER	RANK	Q'TY	DESCRIPTION	SERIAL NUMBER/REMARKS	SVC
10	FB3-2894-020		1	GUIDE, LOWER CASSETTE		
11	FB3-2896-000		1	PLATE, BELT SUPPORT		
12	FB3-2897-020		1	GUIDE, UPPER CASSETTE		
13	FB3-2898-020		1	SPRING, LEAF		
14	FB3-4149-000		1	FLAG, VERTICAL SENSOR		
15	FB3-4155-000		1	SPRING, TORSION		
16	FB3-5597-000		1	WIRE, DELIVERY SUPPORT		
17	FB4-2817-000		2	MOUNT, SENSOR		
18	FB4-2987-000		1	CAM, PAPER PICK-UP ROLLER		
19	FB4-3343-020		2	FLAG, RETRY SENSOR		
20	FB4-3800-000		1	GUIDE, UPPER		
21	FB4-3801-000		1	GUIDE, MIDDLE		
22	FB4-5347-000		1	CAM, LIFT UP, UPPER		
23	FB4-5348-000		1	CAM, LIFT UP, LOWER		
24	FB4-5349-000		2	SPRING, LEAF		
25	FB4-5350-000		2	CLAW, LIFTER ARM		
26	FB4-5364-000		1	ARM, LIFTER, UPPER		
27	FB4-5365-000		1	ARM, LIFTER, LOWER		
28	FB4-5366-000		1	LEVER, PICK LOCK, UPPER		
29	FB4-5367-000		1	LEVER, PICK LOCK, LOWER		
30	RB2-3713-000		2	LIMITER, TORQUE		
31	FB5-3851-000		1	ROLLER, VERTICAL PATH		
32	FB5-3852-000		1	ROLLER, PAPER FEED, UPPER		
33	FB5-3853-000		1	ROLLER, PAPER FEED, LOWER		
34	FF3-2974-000		1	CABLE, UPPER RETRY SENSOR	J1607,2007	
35	FF3-2975-000		1	CABLE, LOWER RETRY SENSOR	J1608,2008	
36	FF5-4524-020		1	PLATE, TENSION		
37	FF5-4552-020		4	ROLLER, PAPER PICK-UP		
38	FF5-4634-020		2	ROLLER, PAPER SEPARATION		
39	FB4-6700-000		1	COVER,VERTICAL PATH SENSOR		
40	FH6-1696-000		1	MOTOR,STEPPING	M18 J1602	
41	FH7-5770-000		1	CLUTCH, ELECTROMAGNETIC	CL24 J1603	

FIGURE & KEY NO.	PARTS NUMBER	R A N K	Q'TY	DESCRIPTION	SERIAL NUMBER/ REMARKS	S V C
42	FH7-5782-000		1	SOLENOID	SL6 J1604	
43	FK2-0149-000		2	PHOTO-INTERRUPTER	S42,43 J2007,2008	
44	FS1-1512-000		4	BUSHING		
45	FS5-1589-000		1	BUSHING		
46	FS5-3619-000		1	PULLEY, 28T/60T		
47	FS5-3620-000		1	PULLEY, 32T/40T		
48	FS5-6487-000		2	WASHER		
49	FS6-0564-000		2	GEAR, 35T		
50	FS6-0565-000		2	GEAR, 42T		
51	FS6-0569-000		1	GEAR, 14T		
52	FS6-0570-000		1	GEAR, 35T/44T		
53	FS6-0572-000		1	GEAR, 16T		
54	FS6-0573-000		1	GEAR, 28T		
55	FS6-0574-000		1	GEAR, 38T		
56	FS6-0575-000		1	GEAR, 42T		
57	FS6-0576-000		1	GEAR, 86T		
58	FS6-0631-000		1	GEAR, 24T		
59	FS6-0637-000		1	GEAR, 16T/28T		
60	FS6-2325-000		2	SPRING, TENSION		
61	FS6-2328-020		2	SPRING, TENSION		
62	FS6-2330-000		2	SPRING, COMPRESSION		
63	FS6-2331-000		1	SPRING, TENSION		
64	FS6-2900-000		2	SPRING, TENSION		
65	FS7-0103-000		1	GEAR, 35T		
66	FS7-0104-000		1	GEAR, 24T		
67	FS7-0105-000		1	GEAR, 35T		
68	RB1-6539-000		2	DAMPER		
69	RB1-6592-000		2	GEAR, 3T		
70	XA9-0591-000		30	SCREW,M3X8		
71	XA9-0724-000		16	SCREW,RS,M3X8		
72	XD9-0104-000		3	DOWEL PIN		
73	XD9-0131-000		10	RING,E		

FIGURE & KEY NO.	PARTS NUMBER	RANK	Q'TY	DESCRIPTION	SERIAL NUMBER/REMARKS	SVC
74	XD9-0131-000		1	E-RING		
75	XF9-0568-000		1	BELT, TIMING		
76	FS5-0390-000		1	GEAR, 16T		
77	XD9-0205-000		1	WASHER,WAVE		
78	FS5-9164-000		1	SCREW,STEPPED,RS, M4X6.2		
79	XG9-0403-000		2	BEARING, BALL		
80	FB3-2965-000		2	COLLAR		
81	XA9-0679-000		1	SCREW,MACH.,FLAT HEAD,M3X4		
82	FS5-1164-000		2	BUSHING, UPPER ROLLER		
83	FS5-1597-000		2	BUSHING		
84	FS5-1219-000		2	BUSHING		
85	FB5-8358-000		1	PLATE, SPACER		
501	XB1-2300-805		1	SCREW,MACH.,TRUSS HEAD,M3X8		
502	XD1-1108-225		1	SHIM		
503	XD2-2100-402		1	RING,GRIP		
504	XD3-1200-122		4	PIN,SPRING		
505	XB6-7300-605		1	SCREW,TP,M3X6		
506	XD2-1100-322		2	RING,E		
	FC6-9867-000		1	RING, RETAINING		
	FC8-1205-000		1	PAD, HOLDER		

FIGURE Z90 PEDESTAL CONTROLLER PCB ASSEMBLY

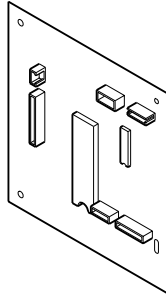
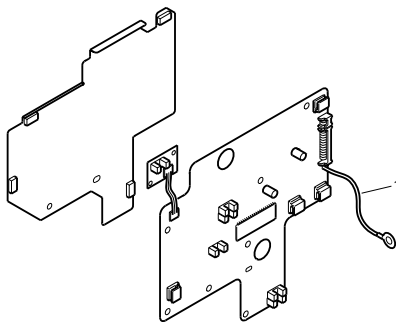


FIGURE & KEY NO.	PARTS NUMBER	RANK	QTY	DESCRIPTION	SERIAL NUMBER/REMARKS	SVC
Fig.Z90	FG3-0695-000		1	PEDESTAL CONTROLLER PCB ASSY	U1 TYPE	
Fig.Z90	FG3-0828-000		1	PEDESTAL CONTROLLER PCB ASSY	U2/U2(W/M1) TYPE	
FU1	VD7-0791-001		1	FUSE, 125V, 1A		
FU2	VD7-0795-001		1	FUSE, 125V, 5A		
IC1	WA3-1982-000		1	IC, TC74HC14P, CMOS		
IC2	FH4-5724-020		1	IC, TC140G06AN-0051,GATE ARRAY		
IC3	WA4-6673-000		1	IC, PST600F, RESET		

FIGURE Z91 PEDESTAL PICK-UP PCB ASSEMBLY



NOTE : This assembly is included in the assembly shown in Figure Z40.

注：このユニットはFigure Z40のユニットに含まれます。

FIGURE & KEY NO.	PARTS NUMBER	RANK	Q'TY	DESCRIPTION	SERIAL NUMBER/REMARKS	SVC
Fig.Z91	FG6-5862-000		1	PEDESTAL PICK-UP PCB ASSEMBLY	SEE NOTE	
1	FF3-4119-000		1	CABLE, GROUNDING		
FU1	VD5-0323-001		1	FUSE, 251003		
IC1601	WA4-6905-000		1	IC, LB1845, DRIVER		

FIGURE Z95 POWER SUPPLY ASSEMBLY (U2(W/M1) TYPE)

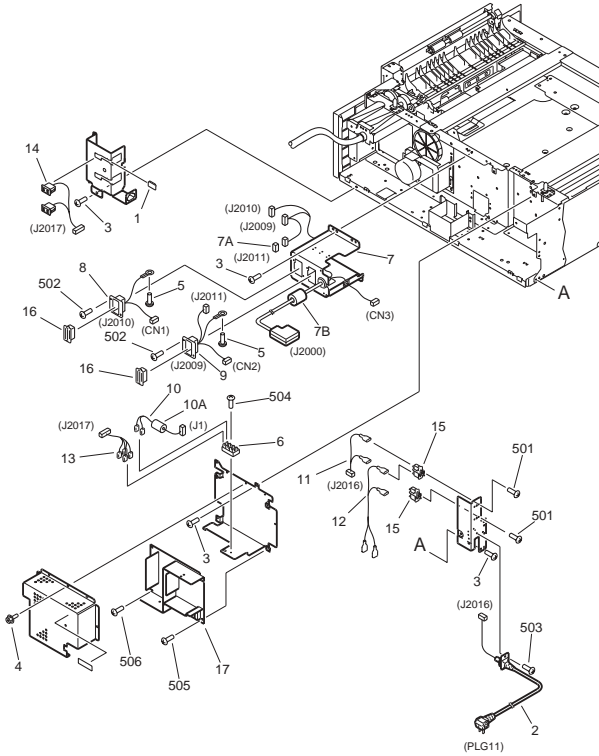
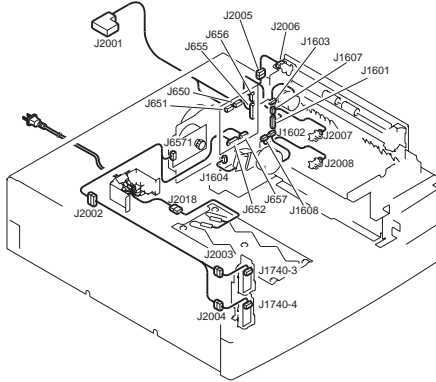


FIGURE & KEY NO.	PARTS NUMBER	RANK	Q'TY	DESCRIPTION	SERIAL NUMBER/REMARKS	SVC
Fig.Z95	NPN		RF	POWER SUPPLY ASS'Y	U2(W/M1) TYPE	
1	FB5-3760-000		2	COVER, BETWEEN		
2	FF3-3887-000		1	CORD, POWER	PLG11	
3	XA9-0892-000		9	SCREW,MACH.,TRUSS HEAD,M4X6		
4	XA9-0629-000		3	SCREW,RS,M4X8		
5	XA9-0265-010		3	SCREW,W/WASHER,TRUSS HEAD		
6	WT1-5020-000		1	MOUNT, TERMINAL		
7	FG3-0805-000		1	CABLE,INTERFACE	J2000,2009-2011,CN3	
7A	VS1-7507-002		1	CONNECTOR, SNAP TIGHT	J2011	
7B	WE8-5104-000		1	FERRITE CORE		
8	FG3-0806-000		1	CABLE,DECK INTERFACE	J2010,CN1	
9	FG3-0807-000		1	CABLE,FINISHER INTERFACE	J2009,2011,CN2	

FIGURE & KEY NO.	PARTS NUMBER	R A N K	Q'TY	DESCRIPTION	SERIAL NUMBER/ REMARKS	S V C
10	FG3-0808-000		1	CABLE, AC	J1	
10A	WE8-5668-000		1	CORE,FERRITE		
11	FG3-0809-000		1	CABLE, AC CONNECTING	J2016	
12	FG3-0810-000		1	CABLE, BREAKER CONNECTING		
13	FG3-0811-000		1	CABLE, TERMINAL CONNECTING	J2017	
14	FG3-0812-000		1	CABLE, OUTLET	J2017	
15	WD3-5073-000		2	CIRCUIT BREAKER		
16	FH2-6552-000		2	COVER, CONNECTOR		
17	FH3-2580-000		1	SWITCHING P. SUPPLY PCB ASS'Y		
501	XB1-2300-607		4	SCREW,MACH.,TRUSS HEAD,M3X6		
502	XB1-2300-806		4	SCREW,MACH.,TRUSS HEAD,M3X8		
503	XB1-2400-807		1	SCREW,MACH.,TRUSS HEAD,M4X8		
504	XB1-2400-809		1	SCREW,MACH.,TRUSS HEAD,M4X8		
505	XB2-8300-806		2	SCREW,W/WASHER,M3X8		
506	XB2-7300-606		2	SCREW,W/WASHER,M3X6		

FIGURE ZB LIST OF CONNECTORS



Cassette Feeding Unit-U2(w/M1) TYPE

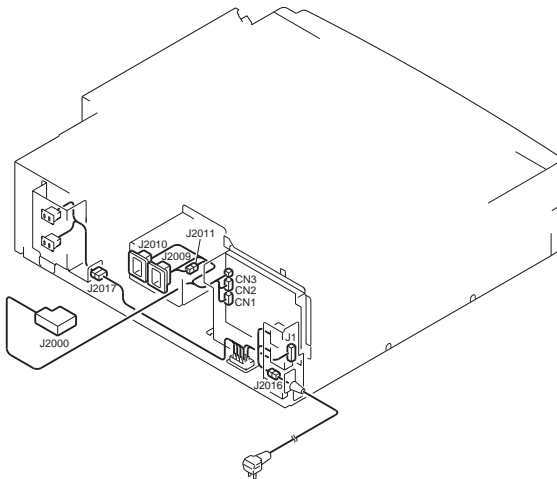


FIGURE & KEY NO.	PARTS NUMBER	RANK	QTY	DESCRIPTION	SERIAL NUMBER/REMARKS	SVC
Fig.ZB	NPN		RF	LIST OF CONNECTORS		
CN1	PCB			SWITCHING POWER SUPPLY	U2(W/M1) TYPE	
CN1	VS3-5083-004		1	CONNECTOR, 4P, FEMALE	U2(W/M1) TYPE	

FIGURE & KEY NO.	PARTS NUMBER	R A N K	Q'TY	DESCRIPTION	SERIAL NUMBER/REMARKS	S V C
CN1	WS3-5160-000		3	SOCKET CONTACT, 18-24AWG	U2(W/M1) TYPE	
CN2	PCB			SWITCHING POWER SUPPLY	U2(W/M1) TYPE	
CN2	VS3-5083-003		1	CONNECTOR, 3P, FEMALE	U2(W/M1) TYPE	
CN2	WS3-5160-000		3	SOCKET CONTACT, 18-24AWG	U2(W/M1) TYPE	
CN3	PCB			SWITCHING POWER SUPPLY	U2(W/M1) TYPE	
CN3	VS1-6258-002		1	CONNECTOR,2P,FEMALE	U2(W/M1) TYPE	
CN3	WS3-5160-000		2	SOCKET CONTACT, 18-24AWG	U2(W/M1) TYPE	
J1	PCB			SWITCHING POWER SUPPLY	U2(W/M1) TYPE	
J1	VS3-5083-005		1	CONNECTOR, 5P, FEMALE	U2(W/M1) TYPE	
J1	WS3-5160-000		4	SOCKET CONTACT, 18-24AWG	U2(W/M1) TYPE	
J650	VS3-5083-004		1	CONNECTOR, 4P, FEMALE		
J650	WS3-5160-000		3	SOCKET CONTACT, 18-24AWG		
J650	PCB			PEDESTAL CONTROLLER		
J651	VS1-7178-007		1	CONNECTOR, 7P, FEMALE		
J651	PCB			PEDESTAL CONTROLLER		
J652	PCB			PEDESTAL CONTROLLER		
J652	VS1-6314-014		1	CONNECTOR, 14P, MALE		
J655	VS1-6314-018		1	CONNECTOR, 18P, MALE		
J655	PCB			PEDESTAL CONTROLLER		
J657	VS1-6314-007		1	CONNECTOR, 7P, FEMALE	U1 TYPE	
J657	PCB			PEDESTAL CONTROLLER		
J657	VS1-6314-008		1	CONNECTOR, 8P, FEMALE	U2/U2(W/M1) TYPE	
J1601	VS1-6314-018		1	CONNECTOR, 18P, MALE		
J1601	PCB			PEDESTAL PICK-UP		
J1602	PCB			PEDESTAL PICK-UP		
J1602	NPN			PAPER PICK-UP MOTOR	M18	
J1603	PCB			PEDESTAL PICK-UP		
J1603	NPN			PAPER PICK-UP CLUTCH	CL24	
J1604	PCB			PEDESTAL PICK-UP		
J1604	NPN			PAPER PICK-UP SOLENOID	SL6	
J1607	PCB			PEDESTAL PICK-UP		
J1607	VS1-6321-003		1	CONNECTOR, 3P, FEMALE		

FIGURE & KEY NO.	PARTS NUMBER	R A N K	Q'TY	DESCRIPTION	SERIAL NUMBER/ REMARKS	S V C
J1608	PCB			PEDESTAL PICK-UP		
J1608	VS1-6321-003		1	CONNECTOR, 3P, FEMALE		
J1740-3	VS1-0978-006		1	CONNECTOR, 6P, FEMALE		
J1740-3	PCB			CASSETTE SIZE SENSOR	S34	
J1740-4	VS1-0978-006		1	CONNECTOR, 6P, FEMALE		
J1740-4	PCB			CASSETTE SIZE SENSOR	S35	
J2000	SYS			TO PRINTER	U2(W/M1) TYPE	
J2000	FK2-0212-000		1	HOUSING	U2(W/M1) TYPE	
J2000	VS1-5452-007		1	CONNECTOR, 7P, FEMALE	U2(W/M1) TYPE	
J2000	VS1-5452-008		1	CONNECTOR, 8P, FEMALE	U2(W/M1) TYPE	
J2000	WS3-5044-000		3	SOCKET, CONTACT, 18-24AWG	U2(W/M1) TYPE	
J2001	FK2-0212-000		1	HOUSING		
J2001	FK2-0213-000		1	COVER, PLUG, A		
J2001	FH2-6483-000		1	COVER, PLUG, B		
J2001	WS3-5018-000		4	SOCKET, CONTACT, AWG18-24		
J2001	VS1-5452-008		1	CONNECTOR, 8P, FEMALE		
J2002	VS1-6320-012		1	CONNECTOR, 12P, MALE		
J2002	VS1-7177-012		1	CONNECTOR, SNAP TIGHT		
J2003	VS1-6320-006		1	CONNECTOR, 6P, FEMALE		
J2003	VS1-7440-006		1	CONNECTOR, SNAP TIGHT		
J2003	VS1-7178-006		1	CONNECTOR, 6P, FEMALE		
J2004	VS1-6320-006		1	CONNECTOR, 6P, FEMALE		
J2004	VS1-7440-006		1	CONNECTOR, SNAP TIGHT		
J2004	VS1-7178-006		1	CONNECTOR, 6P, FEMALE		
J2005	VS1-7178-003		1	CONNECTOR, 3P, FEMALE		
J2006	VS1-7178-003		1	CONNECTOR, 3P, FEMALE		
J2006	NPN			RIGHT DOOR SENSOR	S45	
J2007	VS1-6314-003		1	CONNECTOR, 3P, MALE		
J2007	NPN			CASSETTE 3 PICK-UP SENSOR	S42	
J2008	VS1-6321-003		1	CONNECTOR, 3P, FEMALE		
J2008	NPN			CASSETTE 4 PICK-UP SENSOR	S43	
J2009	SYS			TO FINISHER	U2(W/M1) TYPE	

FIGURE & KEY NO.	PARTS NUMBER	R A N K	Q'TY	DESCRIPTION	SERIAL NUMBER/ REMARKS	S V C
J2009	FK2-0247-000		1	CONNECTOR, FEMALE	U2(W/M1) TYPE	
J2009	VS1-5452-007		1	CONNECTOR, 7P, FEMALE	U2(W/M1) TYPE	
J2009	WS3-5596-000		3	PIN CONTACT, 18-24AWG	U2(W/M1) TYPE	
J2009	SYS			TO 3.5K PAPER DECK	U2(W/M1) TYPE	
J2010	FK2-0247-000		1	CONNECTOR, FEMALE	U2(W/M1) TYPE	
J2010	VS1-5452-008		1	CONNECTOR, 8P, FEMALE	U2(W/M1) TYPE	
J2010	WS3-5596-000		4	PIN CONTACT, 18-24AWG	U2(W/M1) TYPE	
J2011	VS1-5452-002		1	CONNECTOR, 2P, FEMALE	U2(W/M1) TYPE	
J2011	VS1-7507-002		1	CONNECTOR, SNAP TIGHT	U2(W/M1) TYPE	
J2016	VS3-5121-002		1	CONNECTOR, 2P, MALE	U2(W/M1) TYPE	
J2016	VS3-5122-002		1	CONNECTOR, 2P, MALE	U2(W/M1) TYPE	
J2016	WS3-5291-000		2	PIN CONTACT	U2(W/M1) TYPE	
J2016	WS3-5292-000		2	SOCKET CONTACT	U2(W/M1) TYPE	
J2017	VS1-6380-006		1	CONNECTOR, 6P, MALE	U2(W/M1) TYPE	
J2017	VS3-5121-006		1	CONNECTOR, 6P, MALE	U2(W/M1) TYPE	
J2017	WS3-5291-000		4	PIN CONTACT	U2(W/M1) TYPE	
J2017	WS3-5292-000		4	SOCKET CONTACT	U2(W/M1) TYPE	
J2018	NPN			PEDESTAL HEATER	H3 ACCESSORY	
J2018	VS1-0002-002		1	PIN ASSEMBLY, 2P	ACCESSORY	
J2018	WS4-0217-000		1	SOCKET CONTACT, 22-18AWG	ACCESSORY	
J6571	VS1-6314-007		1	CONNECTOR, 7P, FEMALE	U1 TYPE	
J6571	NPN			PEDESTAL MAIN MOTOR	M19	
J6571	VS1-6314-008		1	CONNECTOR, 8P, FEMALE	U2/U2(W/M1) TYPE	

PLAIN PEDESTAL-B1(Parts Catalog)

PLAIN PEDESTAL-B1

F32-2711

XBM00001-

Contents

Z12	EXTERNAL COVERS, PANELS, ETC.	5-1
Z13	MACHINE INTERNAL COMPONENTS	5-2

FIGURE Z12 EXTERNAL COVERS, PANELS, ETC.

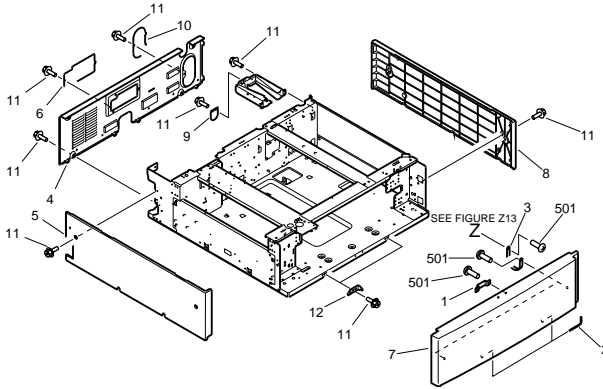


FIGURE & KEY NO.	PARTS NUMBER	RANK	Q'TY	DESCRIPTION	SERIAL NUMBER/REMARKS	S V C
Fig.Z12	NPN		RF	EXTERNAL COVERS, PANELS, ETC.		
1	FB1-6053-000		1	PLATE, CATCH		
2	FB3-2224-000		2	PIN, HINGE		
3	FB3-4168-000		2	STRAP, DOOR SUPPORT		
4	FB5-1746-000		1	PANEL, REAR		
5	FB5-1748-000		1	PANEL, LEFT		
6	FB5-3769-000		1	COVER, CONNECTOR MOUNT		
7	FB5-3777-000		1	PANEL, FRONT		
8	FB5-3779-000		1	PANEL, RIGHT		
9	FB5-3781-000		1	COVER, BLANKING		
10	FB5-3855-000		1	COVER, OUTLET MOUNT		
11	XA9-0732-000		AR	SCREW,RS,M4X8		
12	FB3-4171-020		2	HINGE		
501	XB4-7400-809		4	SCREW,TAPPING,TRUSS HEAD,M4X8		

FIGURE Z13 MACHINE INTERNAL COMPONENTS

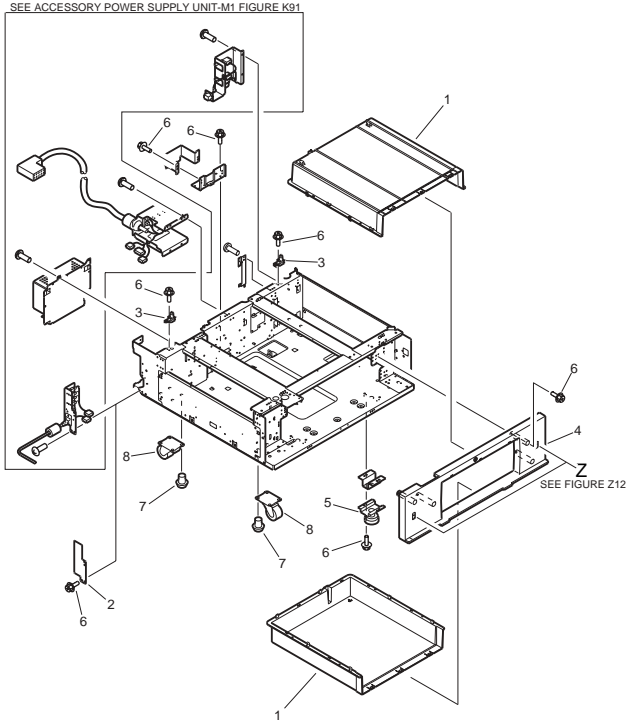


FIGURE & KEY NO.	PARTS NUMBER	R A N K	QTY	DESCRIPTION	SERIAL NUMBER/ REMARKS	S V C
Fig.Z13	NPN		RF	MACHINE INTERNAL COMPONENTS		
1	FB3-4172-000		2	STOCK, PAPER		
2	FB5-3773-000		1	COVER, CABLE MOUNT		
3	FF6-0792-000		2	PIN, POSITIONING		
4	FF5-9372-000		1	PANEL, FRONT		
5	XZ9-0410-000		2	FOOT, HEIGHT-ADJUSTING		
6	XA9-0732-000	AR		SCREW,RS,M4X8		
7	XA9-0790-000		16	SCREW,ALLEN HEAD,M8X8		
8	XZ9-0367-000		4	CASTER		

POWER SUPPLY UNIT-L1(Parts Catalog)

POWER SUPPLY UNIT-L1

100V 50/60HZ F24-8711

Contents

KA	ASSEMBLY LOCATION DIAGRAM	6-1
K90	POWER SUPPLY UNIT-L1 (ACCESSORY FOR 100V).....	6-2

FIGURE KA ASSEMBLY LOCATION DIAGRAM

POWER SUPPLY UNIT (ACCESSORY FOR 100V)
電源ユニット(100V用アクセサリー)

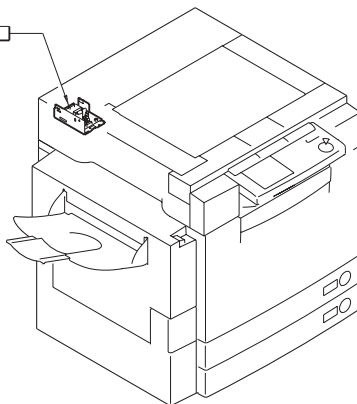
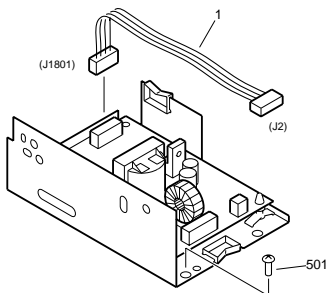


FIGURE K90 POWER SUPPLY UNIT-L1 (ACCESSORY FOR 100V)



NOTE: This assembly does not include the parts shown with key No.1 and 501.

注：このユニットにKey No. 1, 501の部品は含まれません。

FIGURE & KEY NO.	PARTS NUMBER	RANK	Q'TY	DESCRIPTION	SERIAL NUMBER/REMARKS	SVC
Fig.K90	FG5-9847-000		1	POWER SUPPLY UNIT-L1	ACCESSORY FOR 100V	
1	FG2-9455-000		1	CABLE, AC	SEE NOTE J2,1801	
501	XB1-2400-607		3	SCREW,MACH.,TRUSS HEAD,M4X6	SEE NOTE	
L1801	FH3-0725-000		1	COIL, CHOKE		
T1801	FH3-0695-000		1	TRANSFORMER		

POWER SUPPLY UNIT-M1(Parts Catalog)

POWER SUPPLY UNIT-M1

100V 50/60HZ F24-8712

120V 60HZ F24-8732

240V 50HZ UK F24-8752

240V 50HZ CA F24-8762

220V 50HZ F24-8792

Contents

KA	ASSEMBLY LOCATION DIAGRAM	7-1
K91	ACCESSORY POWER SUPPLY ASSEMBLY	7-2
KB	LIST OF CONNECTORS.....	7-5

FIGURE KA ASSEMBLY LOCATION DIAGRAM

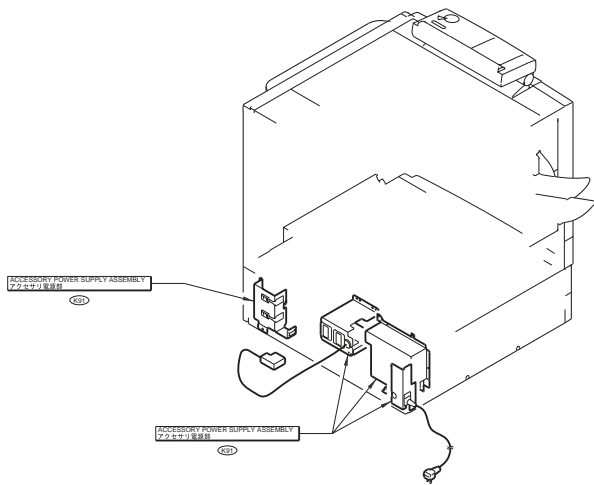


FIGURE & KEY NO.	PARTS NUMBER	R A N K	Q'TY	DESCRIPTION	SERIAL NUMBER/REMARKS	S V C
8	FG3-0806-000		1	CABLE, DECK INTERFACE	J2010,CN1	
9	FG3-0807-000		1	CABLE, FINISHER INTERFACE	J2009,2011,CN2	
10	FG3-0808-000		1	CABLE, AC	J1	
10A	WE8-5668-000		1	CORE, FERRITE		
11	FG3-0809-000		1	CABLE, AC CONNECTING	J2016	
12	FG3-0810-000		1	CABLE, BREAKER CONNECTING		
13	FG3-0811-000		1	CABLE, TERMINAL CONNECTING	J2017	
14	FG3-0812-000		1	CABLE, OUTLET	100VJ2017	
14	FG3-0813-000		1	CABLE, OUTLET	120VJ2017	
14	FG3-0814-000		1	CABLE, OUTLET	220/240VJ2017	
15	FH2-5006-000		1	WIRE, GROUNDING		
16	FH2-6552-000		2	COVER, CONNECTOR		
17	FH3-2580-000		1	SWITCHING P. SUPPLY PCB ASS'Y	100/120V	
17	FH3-2581-000		1	SWITCHING P. SUPPLY PCB ASS'Y	220/240V	
18	WD3-5073-000		2	CIRCUIT BREAKER		
19	WT1-5020-000		1	MOUNT, TERMINAL		
20	XA9-0265-010		3	SCREW,W/WASHER,TRUSS HEAD		
21	XA9-0265-010		1	SCREW,W/WASHER,TRUSS HEAD	100V	
22	XA9-0629-000		3	SCREW,RS,M4X8		
501	XB1-2300-607		4	SCREW,MACH.,TRUSS HEAD,M3X6		
502	XB1-2300-806		4	SCREW,MACH.,TRUSS HEAD,M3X8		
503	XB1-2400-807		1	SCREW,MACH.,TRUSS HEAD,M4X8		
504	XB1-2400-809		1	SCREW,MACH.,TRUSS HEAD,M4X8		
505	XB1-2400-809		1	SCREW,MACH.,TRUSS HEAD,M4X8	220/240V	
506	XB1-2400-809		10	SCREW,MACH.,TRUSS HEAD,M4X8		
507	XB1-2401-209		4	SCREW,MACH.,TRUSS HEAD,M4X12	220/240V	
508	XB1-2402-509		2	SCREW,MACH.,TRUSS HEAD,M4X25	220/240V	
509	XB1-2500-606		1	SCREW,MACH.,TRUSS HEAD,M5X6	120/220/240V	
510	XB1-2500-606		2	SCREW,MACH.,TRUSS HEAD,M5X6	120/220/240V	
511	XB2-7300-606		2	SCREW,W/WASHER,M3X6		
512	XB2-8300-806		2	SCREW,W/WASHER,M3X8		
513	XD1-4200-502		1	WASHER,TOOTHED LOCK	120/220/240V	

FIGURE & KEY NO.	PARTS NUMBER	R A N K	Q'TY	DESCRIPTION	SERIAL NUMBER/ REMARKS	S V C
514	XD1-4200-502		2	WASHER, TOOTHED LOCK	120/220/240V	

FIGURE KB LIST OF CONNECTORS

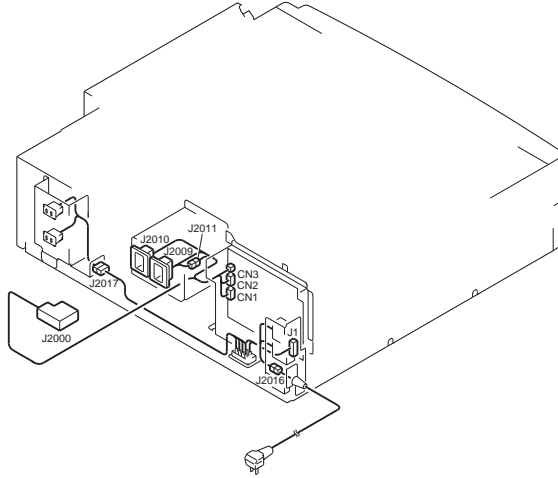


FIGURE & KEY NO.	PARTS NUMBER	R A N K	QTY	DESCRIPTION	SERIAL NUMBER/ REMARKS	S V C
Fig.KB	NPN		RF	LIST OF CONNECTORS		
CN1	PCB			SWITCHING POWER SUPPLY		
CN1	VS3-5083-004		1	CONNECTOR, 4P, FEMALE		
CN1	WS3-5160-000		3	SOCKET CONTACT, 18-24AWG		
CN2	PCB			SWITCHING POWER SUPPLY		
CN2	VS3-5083-003		1	CONNECTOR, 3P, FEMALE		
CN2	WS3-5160-000		3	SOCKET CONTACT, 18-24AWG		
CN3	PCB			SWITCHING POWER SUPPLY		
CN3	VS1-6258-002		1	CONNECTOR, 2P, FEMALE		
CN3	WS3-5160-000		2	SOCKET CONTACT, 18-24AWG		
J1	PCB			SWITCHING POWER SUPPLY		
J1	VS3-5083-005		1	CONNECTOR, 5P, FEMALE		
J1	WS3-5160-000		4	SOCKET CONTACT, 18-24AWG		
J2000	SYS			TO PRINTER		
J2000	FK2-0212-000		1	CONNECTOR, 4P, FEMALE		
J2000	VS1-5452-007		1	CONNECTOR, 7P, FEMALE		
J2000	VS1-5452-008		1	CONNECTOR, 8P, FEMALE		
J2000	WS3-5044-000		3	SOCKET, CONTACT, 18-24AWG		
J2009	SYS			TO FINISHER	ACCESSORY	

FIGURE & KEY NO.	PARTS NUMBER	RANK	Q'TY	DESCRIPTION	SERIAL NUMBER/REMARKS	SVC
J2009	FK2-0247-000		1	CONNECTOR, FEMALE	ACCESSORY	
J2009	VS1-5452-007		1	CONNECTOR, 7P, FEMALE		
J2009	WS3-5596-000		3	PIN CONTACT, 18-24AWG		
J2010	SYS			TO 3.5K PAPER DECK		
J2010	FK2-0247-000		1	CONNECTOR, FEMALE		
J2010	VS1-5452-008		1	CONNECTOR, 8P, FEMALE		
J2010	WS3-5596-000		4	PIN CONTACT, 18-24AWG		
J2011	VS1-5452-002		2	CONNECTOR, 2P, FEMALE		
J2011	VS1-7507-002		1	CONNECTOR, SNAP TIGHT		
J2016	VS3-5121-002		1	CONNECTOR, 2P, FEMALE		
J2016	VS3-5122-002		1	CONNECTOR, 2P, MALE		
J2016	WS3-5291-000		2	PIN CONTACT		
J2016	WS3-5292-000		2	SOCKET CONTACT		
J2017	VS1-6380-006		1	CONNECTOR, 6P, MALE		
J2017	VS3-5121-006		1	CONNECTOR, 6P, FEMALE		
J2017	WS3-5291-000		4	PIN CONTACT		
J2017	WS3-5292-000		4	SOCKET CONTACT		

PDL BOARD-A1(Parts Catalog)

PDL BOARD-A1

F61-7903

Contents

KA	ASSEMBLY LOCATION DIAGRAM	8-1
K92	COLOR NETWORK PRINTER BOARD-A1	8-2

FIGURE KA ASSEMBLY LOCATION DIAGRAM

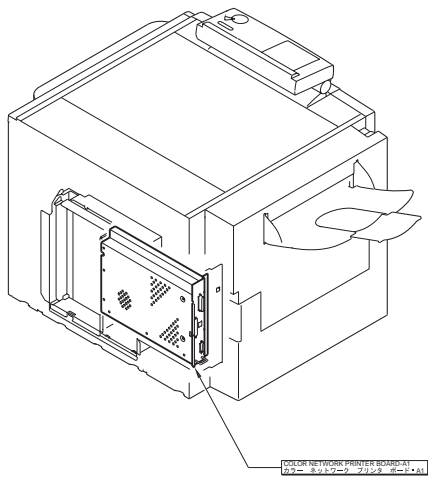


FIGURE K92 COLOR NETWORK PRINTER BOARD-A1

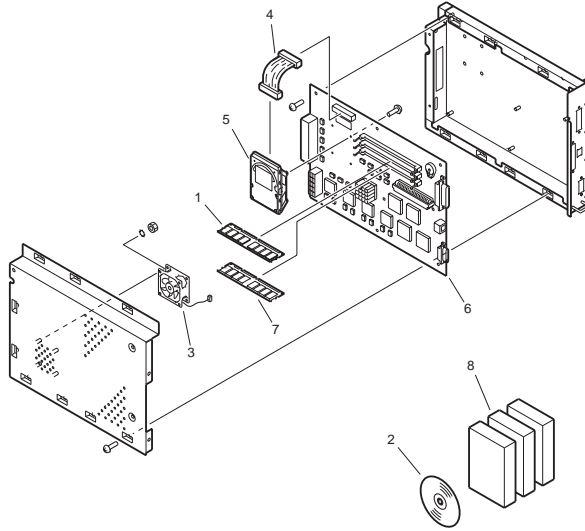


FIGURE & KEY NO.	PARTS NUMBER	RANK	Q'TY	DESCRIPTION	SERIAL NUMBER/REMARKS	S V C
Fig.K92	NPN		RF	COLOR NETWORK PRINTER BOARD-A1		
1	FE1-4868-000		1	DIMM ASSEMBLY	128M RAM	
2	FE1-5446-000		1	CD-ROM, SYSTEM S/W V2.02		
3	FE1-5309-000		1	FAN, COOLING		
4	FE1-5310-000		1	CABLE, FLAT		
5	FE1-5311-000		1	HARD-DISK DRIVE UNIT		
6	FE1-5312-000		1	MOTHER BOARD PCB ASSEMBLY	KANJI	
6	FE1-5308-000		1	MOTHER BOARD PCB ASSEMBLY	ROMAN	
7	FE1-5313-000		1	DIMM ASSEMBLY	32MB RAM	
8	FE1-5321-000		1	MEDIA PACK		

Prepared by
OIP HFE Promotion Center
CANON INC.

Canon