

# **PARTS CATALOG**

**imageRUNNER ADVANCE  
C5051/5045/5035/5030  
Series**

**Canon**

**Aug 4 2009**



## **PREFACE**

This Parts Catalog contains listings of parts used

Diagrams are provided with the listings to aid the service technician in identifying clearly, the item to be ordered.

Whenever ordering parts, consult this Parts Catalog for all of the information pertaining to each item. Be sure to include, in the Parts Request, the full item description, the item part number, and the quantity.

***COPYRIGHT (C) 1999 CANON INC.***

Use of this manual should be strictly supervised to avoid disclosure of confidential information.



# Contents

## NUMERICAL INDEX

imageRUNNER ADVANCE C5051/5045/5035/5030 Series(Numerical Index)  
1-1

## imageRUNNER ADVANCE C5051/5045/5035/5030 Series(Parts Catalog)

A1	ASSEMBLY LOCATION DIAGRAM .....	2-1
A2	OPTION PARTS CATALOG LIST .....	2-9
001	ACCESSORIES .....	2-10
100	EXTERNAL COVERS, PANELS, ETC. ....	2-11
101	FRONT COVER ASSEMBLY .....	2-16
102	RIGHT OUTER DOOR ASSEMBLY .....	2-18
103	MACHINE FRONT PLATE .....	2-23
104	INTERNAL COMPONENTS 1 .....	2-26
105	INTERNAL COMPONENTS 2 .....	2-28
106	INTERNAL COMPONENTS 3 .....	2-30
107	INTERNAL COMPONENTS 4 .....	2-32
108	MACHINE REAR PLATE 1 .....	2-34
109	MACHINE REAR PLATE 2 .....	2-36
110	MACHINE REAR PLATE 3 .....	2-38
130	CONTROL PANEL ASS'Y .....	2-40
140	POWER CORD TERMINAL ASS'Y .....	2-44
251	DRUM DEVELOPING DRIVE ASSEMBLY .....	2-46
270	SHUTTER DRIVE MOUNT ASSEMBLY .....	2-47
300	CASSETTE ASSEMBLY, 1 .....	2-48
301	CASSETTE ASSEMBLY, 2 .....	2-51
310	PAPER PICK-UP ASSEMBLY, 1 .....	2-55
311	PAPER PICK-UP ASSEMBLY, 2 .....	2-58
313	PAPER PICK-UP DRIVE ASSEMBLY .....	2-61
315	MULTI FEEDER DRIVE ASSEMBLY .....	2-62
316	PRE-REGISTRATION GUIDE ASS'Y .....	2-64
321	PATT. READ SHUTTER DRIVE ASS'Y .....	2-65
322	DUPLEXING REG. DRIVE ASSEMBLY .....	2-66
323	SENSOR UNIT,REGISTRATION PATCH .....	2-68
330	RIGHT LOWER DOOR ASSEMBLY .....	2-70
331	RIGHT INNER DOOR ASSEMBLY .....	2-72
332	M.P. PICK UP MOUNT ASSEMBLY .....	2-75
333	RIGHT LOWER INNER DOOR ASS'Y .....	2-78
350	FIRST PAPER DELIVERY ASSEMBLY .....	2-79
351	2ND/3RD PAPER DELIVERY ASS'Y .....	2-81

# Contents

352	THIRD PAPER DELIVERY ASSEMBLY .....	2-84
353	SECOND PAPER DELIVERY ASSEMBLY .....	2-87
460	LASER ASSEMBLY .....	2-89
530	INTER. TRANSFER BELT ASS'Y .....	2-90
531	TRANSFER CLEANER ASSEMBLY .....	2-97
600	PROCESS-KIT FRAME ASSEMBLY .....	2-98
620	SET ON HOPPER BK ASSEMBLY .....	2-102
621	SET ON HOPPER CL ASSEMBLY .....	2-103
623	SET ON DRIVE ASSEMBLY, BLACK .....	2-104
624	SET ON DRIVE ASSEMBLY, CL .....	2-105
626	BOTTLE FRONT INNER DOOR ASS'Y .....	2-106
627	BOTTLE BASE ASSEMBLY, BLACK .....	2-108
628	BOTTLE BASE ASSEMBLY, CL .....	2-110
640	DEVELOPING ASSEMBLY, Y .....	2-112
770	WASTE TONER CASE ASSEMBLY .....	2-113
810	FIXING ASSEMBLY .....	2-114
811	SHUTTER ASSEMBLY .....	2-118
812	GUIDE, FIXING DELIVERY, LOWER .....	2-120
813	FIXING DRIVE ASSEMBLY .....	2-122
815	FIXING DELIVERY DRIVE ASSEMBLY .....	2-124
900	CONTROLLER BOX ASSEMBLY .....	2-126
910	MAIN CONTROLLER PCB ASS'Y, 1 .....	2-128
911	POWER SUPPLY ASSEMBLY .....	2-129
920	MAIN CONTROLLER PCB ASS'Y, 2 .....	2-130
960	DRUM DRIVER PCB ASSEMBLY .....	2-131
961	CASSETTE FEED PCB ASSEMBLY .....	2-132
962	PAPER FEED DRIVER PCB ASSEMBLY .....	2-133
963	AC DRIVER PCB ASSEMBLY .....	2-134
980	IMAGING 1ST TRNS.H.V.ASS'Y, BK .....	2-136
981	2ND TRNSFR. HIGH VOLTAGE ASS'Y .....	2-138
A01	ATTACHMENT PARTS (REVERSE ADF) .....	2-139
A10	INTERNAL COMPONENTS (REVERSE ADF) .....	2-140
A11	BASE ASSEMBLY (REVERSE ADF) .....	2-142
A12	PAPER PICK-UP COVER ASSEMBLY (REVERSE ADF) .....	2-144
A13	DOCUMENT TRAY ASSEMBLY (REVERSE ADF) .....	2-146
A21	DRIVE ASSEMBLY (REVERSE ADF) .....	2-148
A41	FEEDER ASSEMBLY (REVERSE ADF) .....	2-150
A90	ADF CONTROLLER PCB ASSEMBLY (REVERSE ADF) .....	2-155
B01	ATTACHMENT PARTS (ONE-PATH ADF) .....	2-156
B11	INTERNAL COMPONENTS 1 (ONE-PATH ADF) .....	2-157
B12	INTERNAL COMPONENTS 2 (ONE-PATH ADF) .....	2-160
B13	INTERNAL COMPONENTS 3 (ONE-PATH ADF) .....	2-163
B14	INTERNAL COMPONENTS 4 (ONE-PATH ADF) .....	2-166
B15	INTERNAL COMPONENTS 5 (ONE-PATH ADF) .....	2-168
B16	DOCUMENT TRAY ASSEMBLY (ONE-PATH ADF) .....	2-170

# Contents

B17	OPEN/CLOSE PANEL ASSEMBLY (ONE-PATH ADF) ....	2-172
B18	BASE FRAME ASSEMBLY (ONE-PATH ADF) .....	2-174
B19	WHITE PLATE ASSEMBLY (ONE-PATH ADF) .....	2-176
B20	ESTRANGEMENT DRIVE ASSEMBLY (ONE-PATH ADF)	2-177
B30	PAPER PICK-UP ASSEMBLY (ONE-PATH ADF) .....	2-178
B31	PAPER DELIVERY ASSEMBLY (ONE-PATH ADF) .....	2-181
B32	OPEN/CLOSE GUIDE ASSEMBLY (ONE-PATH ADF) .....	2-183
B40	PLATEN ROLLER ASSEMBLY, 1 (ONE-PATH ADF) .....	2-184
B41	PLATEN ROLLER ASSEMBLY, 2 (ONE-PATH ADF) .....	2-186
B42	PAPER FEED GUIDE ASSEMBLY, 1 (ONE-PATH ADF)	2-188
B43	PAPER FEED GUIDE ASSEMBLY, 2 (ONE-PATH ADF)	2-189
B90	DADF DRIVER PCB ASSEMBLY (ONE-PATH ADF) .....	2-191
D01	ATTACHMENT PARTS (READER) .....	2-192
D10	EXTERNAL COVERS, PANELS, ETC. (READER) .....	2-193
D11	INTERNAL COMPONENTS 1 (iR ADVANCE 5051,5045 SERIES)(READER) .....	2-195
D11A	INTERNAL COMPONENTS 1 (iR ADVANCE 5035,5030 SERIES)(READER) .....	2-197
D12	INTERNAL COMPONENTS 2 (READER) .....	2-199
D90	READER CONTROLLER PCB ASS'Y(iR ADVANCE 5051,5045 SERIES)(READER) .....	2-201
D91	READER CONTROLLER PCB ASS'Y(iR ADVANCE 5035,5030 SERIES)(READER) .....	2-202
T20	G3 FAX ASSEMBLY, 1 LINE (FAX) .....	2-203
T21	SPEAKER ASSEMBLY (FAX) .....	2-204
ZZA	MECHANICAL STANDARD PARTS (HOW TO USE) .....	2-205
ZZB	MECHANICAL STANDARD PARTS (SCREWS) .....	2-206
ZZC	MECHANICAL STANDARD PARTS (BOLTS) .....	2-213
ZZD	MECHANICAL STANDARD PARTS (NUTS) .....	2-214
ZZE	MECHANICAL STANDARD PARTS (RETAINING RINGS)	2-215





# NUMERICAL INDEX

## imageRUNNER ADVANCE C5051/5045/5035/5030 Series(Numerical Index)

PARTS NUMBER	FIGURE & KEY NO.	PARTS NUMBER	FIGURE & KEY NO.	PARTS NUMBER	FIGURE & KEY NO
FA9-2112-000	315 - 1	FB6-4873-000	812 - 2	FC5-4265-000	B19 - 2
FA9-2112-000	322 - 1	FB6-4937-000	332 - 42	FC5-4286-000	A11 - 2
FA9-2112-000	B12 - 1	FB6-6088-000	530 - 86	FC5-4287-000	A11 - 3
FA9-2112-000	B13 - 1	FB6-7002-000	812 - 3	FC5-4323-000	A12 - 1
FA9-2112-000	B30 - 1	FB6-7078-000	310 - 21	FC5-4324-000	A12 - 2
FA9-4041-005	812 - 1	FB6-7078-000	311 - 21	FC5-4353-000	A41 - 1
FB1-8581-000	332 - 1	FC0-0181-000	600 - 40	FC5-4424-000	B11 - 1
FB2-7777-020	B30 - 38	FC0-0185-000	106 - 22	FC5-4424-000	B12 - 49
FB5-3087-000	D11 - 1	FC0-0188-000	100 - 59	FC5-4424-000	B13 - 3
FB5-3087-000	D11A - 1	FC0-0212-000	626 - 28	FC5-4424-000	B40 - 1
FB6-3380-020	310 - 20	FC0-0213-000	332 - 52	FC5-4424-000	B41 - 1
FB6-3380-020	311 - 20	FC0-0416-000	A41 - 15	FC5-4425-000	A11 - 4
FB6-3387-000	311 - 3	FC0-0417-000	A41 - 16	FC5-4425-000	A12 - 3
FB6-3388-000	310 - 6	FC0-0418-000	A41 - 17	FC5-4425-000	A21 - 1
FB6-3388-000	311 - 6	FC0-0419-000	A41 - 35	FC5-4425-000	A41 - 2
FB6-3389-000	310 - 7	FC5-0595-010	310 - 3	FC5-4425-000	B30 - 6
FB6-3389-000	311 - 7	FC5-0799-010	350 - 1	FC5-5078-000	332 - 6
FB6-3391-000	310 - 8	FC5-0800-000	350 - 2	FC5-6012-010	352 - 4
FB6-3391-000	311 - 8	FC5-0805-000	350 - 3	FC5-7182-000	810 - 33
FB6-3392-020	310 - 9	FC5-0805-000	352 - 1	FC5-7919-000	600 - 1
FB6-3392-020	311 - 9	FC5-0805-000	353 - 1	FC5-8556-000	332 - 7
FB6-3395-000	310 - 11	FC5-0870-000	351 - 6	FC5-9719-000	351 - 10
FB6-3395-000	311 - 11	FC5-0974-000	353 - 2	FC6-0698-000	315 - 2
FB6-3396-010	310 - 12	FC5-0977-000	352 - 2	FC6-1844-000	103 - 7
FB6-3396-010	311 - 12	FC5-0987-000	351 - 7	FC6-2784-000	A12 - 14
FB6-3397-000	310 - 13	FC5-0988-000	351 - 8	FC6-3002-000	100 - 51
FB6-3397-000	311 - 13	FC5-0989-020	351 - 9	FC6-4019-000	102 - 1
FB6-3398-000	310 - 14	FC5-0996-000	353 - 3	FC6-4023-000	103 - 11
FB6-3398-000	311 - 14	FC5-0997-000	353 - 4	FC6-5046-000	332 - 8
FB6-3402-000	310 - 15	FC5-1005-000	352 - 40	FC6-5046-000	530 - 1
FB6-3402-000	311 - 15	FC5-1006-000	352 - 27	FC6-5062-000	316 - 1
FB6-3403-000	310 - 16	FC5-1013-000	352 - 31	FC6-5328-000	600 - 2
FB6-3403-000	311 - 16	FC5-1014-000	352 - 32	FC6-6661-000	310 - 4
FB6-3404-000	310 - 17	FC5-1020-020	352 - 3	FC6-6661-000	311 - 4
FB6-3404-000	311 - 17	FC5-1146-000	100 - 57	FC6-6661-000	332 - 9
FB6-3405-000	310 - 1	FC5-1269-000	627 - 1	FC6-7083-000	310 - 5
FB6-3405-000	311 - 1	FC5-1269-000	628 - 1	FC6-7083-000	311 - 5
FB6-3410-000	310 - 18	FC5-2954-000	B12 - 3	FC6-8971-010	A12 - 15
FB6-3410-000	311 - 18	FC5-2957-000	B19 - 1	FC6-8973-000	A11 - 5
FB6-3410-000	332 - 2	FC5-2963-000	B17 - 1	FC6-8973-000	A41 - 3
FB6-3413-000	310 - 19	FC5-2978-000	B31 - 1	FC6-9268-000	810 - 1
FB6-3413-000	311 - 19	FC5-2988-000	B31 - 2	FC6-9269-000	810 - 2
FB6-3456-000	332 - 30	FC5-2988-000	B42 - 1	FC6-9272-000	810 - 3
FB6-3457-000	332 - 31	FC5-2989-000	B31 - 3	FC6-9274-000	810 - 4
FB6-3459-000	332 - 32	FC5-2991-000	B12 - 48	FC6-9288-000	810 - 32
FB6-3463-000	332 - 3	FC5-2991-000	B13 - 2	FC6-9304-000	810 - 27
FB6-3464-000	332 - 4	FC5-3021-000	B42 - 2	FC6-9305-000	812 - 4
FB6-3466-000	332 - 5	FC5-3026-000	B42 - 3	FC6-9309-000	812 - 5
FB6-3771-000	100 - 60	FC5-3108-000	B16 - 1	FC6-9471-000	810 - 5
FB6-4852-000	310 - 2	FC5-3113-000	B16 - 2	FC6-9472-000	810 - 36
FB6-4852-000	311 - 2	FC5-3131-000	B12 - 4	FC6-9473-000	812 - 6
FB6-4873-000	331 - 1	FC5-3163-000	B30 - 5	FC6-9556-000	105 - 1

# NUMERICAL INDEX

## imageRUNNER ADVANCE C5051/5045/5035/5030 Series(Numerical Index)

PARTS NUMBER	FIGURE & KEY NO.	PARTS NUMBER	FIGURE & KEY NO.	PARTS NUMBER	FIGURE & KEY NO.
FC6-9817-000	108 - 7	FC8-2484-000	301 - 47	FC8-4202-000	103 - 8
FC6-9867-000	310 - 22	FC8-2670-000	300 - 19	FC8-4204-000	103 - 9
FC6-9867-000	311 - 22	FC8-2670-000	301 - 19	FC8-4219-000	103 - 16
FC7-0285-000	B13 - 4	FC8-2671-000	300 - 20	FC8-4225-000	100 - 14
FC7-1312-000	D11 - 3	FC8-2671-000	301 - 20	FC8-4383-000	530 - 87
FC7-1312-000	D11A - 3	FC8-2672-000	300 - 21	FC8-4386-000	530 - 2
FC7-1333-000	D10 - 3	FC8-2672-000	301 - 21	FC8-4387-000	530 - 88
FC7-2341-000	102 - 2	FC8-2710-000	332 - 33	FC8-4394-000	530 - 3
FC7-2395-000	812 - 7	FC8-2712-000	332 - 34	FC8-4395-000	530 - 19
FC7-2494-000	B30 - 7	FC8-2713-000	332 - 35	FC8-4396-000	530 - 20
FC7-3156-000	B19 - 3	FC8-3555-000	D11 - 27	FC8-4398-000	530 - 69
FC7-4185-000	B13 - 5	FC8-3555-000	D11A - 27	FC8-4400-000	530 - 81
FC7-4188-000	B12 - 5	FC8-3782-000	330 - 1	FC8-4401-000	530 - 21
FC7-4188-000	B17 - 2	FC8-3782-000	333 - 3	FC8-4402-000	530 - 71
FC7-4191-000	B41 - 2	FC8-3915-000	600 - 3	FC8-4403-000	530 - 76
FC7-4825-000	140 - 8	FC8-3921-000	600 - 4	FC8-4404-000	530 - 22
FC7-4830-000	812 - 9	FC8-3923-000	600 - 24	FC8-4405-000	530 - 72
FC7-4890-000	B32 - 4	FC8-3924-000	600 - 28	FC8-4406-000	530 - 23
FC7-5167-000	332 - 43	FC8-3930-000	600 - 5	FC8-4414-000	530 - 24
FC7-5461-000	B11 - 31	FC8-3931-000	600 - 6	FC8-4419-000	530 - 25
FC7-5465-000	A10 - 26	FC8-3973-000	106 - 18	FC8-4420-000	530 - 26
FC7-5465-000	B11 - 36	FC8-3974-000	106 - 20	FC8-4421-000	530 - 27
FC7-5845-000	310 - 23	FC8-3975-000	811 - 1	FC8-4422-000	530 - 28
FC7-5845-000	311 - 23	FC8-3979-000	600 - 8	FC8-4423-000	530 - 29
FC7-5906-000	333 - 1	FC8-3983-000	600 - 9	FC8-4427-000	530 - 4
FC7-5907-000	333 - 2	FC8-4000-000	100 - 6	FC8-4431-000	530 - 5
FC7-6978-000	812 - 22	FC8-4087-000	980 - 1	FC8-4433-000	530 - 6
FC7-9370-000	316 - 2	FC8-4088-000	980 - 2	FC8-4434-000	530 - 7
FC8-0785-000	332 - 10	FC8-4089-000	980 - 3	FC8-4435-000	530 - 8
FC8-1178-000	310 - 24	FC8-4111-000	100 - 2	FC8-4436-000	530 - 9
FC8-1178-000	311 - 24	FC8-4123-000	101 - 11	FC8-4449-000	530 - 73
FC8-1202-000	310 - 25	FC8-4124-000	101 - 1	FC8-4453-000	106 - 15
FC8-1202-000	311 - 25	FC8-4131-000	100 - 17	FC8-4455-000	530 - 30
FC8-1205-000	310 - 26	FC8-4134-000	100 - 29	FC8-4456-000	530 - 31
FC8-1205-000	311 - 26	FC8-4135-000	100 - 30	FC8-4457-000	106 - 16
FC8-2462-000	300 - 37	FC8-4137-000	100 - 18	FC8-4458-000	530 - 10
FC8-2462-000	301 - 37	FC8-4138-000	100 - 31	FC8-4459-000	108 - 1
FC8-2463-000	300 - 38	FC8-4139-000	100 - 8	FC8-4474-000	530 - 32
FC8-2463-000	301 - 38	FC8-4140-000	100 - 9	FC8-4475-000	530 - 33
FC8-2464-000	300 - 39	FC8-4141-000	100 - 10	FC8-4479-000	530 - 34
FC8-2464-000	301 - 39	FC8-4142-000	100 - 11	FC8-4480-000	530 - 70
FC8-2466-000	300 - 60	FC8-4143-000	100 - 32	FC8-4487-000	530 - 35
FC8-2466-000	301 - 60	FC8-4144-000	100 - 20	FC8-4490-000	530 - 36
FC8-2469-000	300 - 15	FC8-4145-000	100 - 33	FC8-4491-000	530 - 11
FC8-2469-000	301 - 15	FC8-4149-000	100 - 21	FC8-4492-000	530 - 37
FC8-2470-000	300 - 16	FC8-4152-000	100 - 13	FC8-4493-000	530 - 38
FC8-2470-000	301 - 16	FC8-4153-000	100 - 34	FC8-4534-000	600 - 10
FC8-2474-000	300 - 17	FC8-4155-000	101 - 2	FC8-4573-000	600 - 11
FC8-2474-000	301 - 17	FC8-4165-000	251 - 1	FC8-4574-000	600 - 12
FC8-2475-000	300 - 18	FC8-4166-000	251 - 2	FC8-4575-000	600 - 13
FC8-2475-000	301 - 18	FC8-4175-000	251 - 3	FC8-4646-000	626 - 10
FC8-2484-000	300 - 47	FC8-4196-000	103 - 15	FC8-4649-000	627 - 2

# NUMERICAL INDEX

## imageRUNNER ADVANCE C5051/5045/5035/5030 Series(Numerical Index)

PARTS NUMBER	FIGURE & KEY NO.	PARTS NUMBER	FIGURE & KEY NO.	PARTS NUMBER	FIGURE & KEY NO.
FC8-4649-000	628 - 2	FC8-4776-000	352 - 16	FC8-4917-000	100 - 35
FC8-4652-000	627 - 3	FC8-4777-000	352 - 14	FC8-4920-000	105 - 13
FC8-4654-000	627 - 3	FC8-4779-000	351 - 2	FC8-4921-000	100 - 36
FC8-4654-000	628 - 3	FC8-4782-000	353 - 6	FC8-4922-000	100 - 37
FC8-4656-000	628 - 3	FC8-4783-000	352 - 5	FC8-4927-000	352 - 41
FC8-4661-000	626 - 11	FC8-4784-000	351 - 16	FC8-4928-000	351 - 29
FC8-4662-000	626 - 12	FC8-4789-000	353 - 7	FC8-4929-000	352 - 6
FC8-4663-000	626 - 19	FC8-4797-000	351 - 17	FC8-4930-000	351 - 30
FC8-4664-000	626 - 20	FC8-4801-000	105 - 12	FC8-4932-000	351 - 18
FC8-4665-000	626 - 21	FC8-4802-000	105 - 20	FC8-4933-000	352 - 7
FC8-4666-000	626 - 22	FC8-4820-000	102 - 4	FC8-4935-000	105 - 27
FC8-4667-000	626 - 23	FC8-4829-000	102 - 5	FC8-4936-000	105 - 21
FC8-4668-000	626 - 24	FC8-4830-000	102 - 6	FC8-4962-000	301 - 48
FC8-4669-000	626 - 25	FC8-4833-000	102 - 7	FC8-4963-000	301 - 49
FC8-4670-000	626 - 26	FC8-4834-000	102 - 8	FC8-4964-000	300 - 48
FC8-4680-000	627 - 4	FC8-4835-000	102 - 9	FC8-4964-000	301 - 50
FC8-4681-000	627 - 4	FC8-4836-000	102 - 10	FC8-4965-000	300 - 49
FC8-4681-000	628 - 4	FC8-4837-000	102 - 11	FC8-4965-000	301 - 51
FC8-4682-000	628 - 4	FC8-4838-000	102 - 12	FC8-4966-000	300 - 50
FC8-4683-000	626 - 13	FC8-4839-000	102 - 13	FC8-4966-000	301 - 52
FC8-4684-000	626 - 14	FC8-4840-000	102 - 14	FC8-4967-000	300 - 1
FC8-4685-000	626 - 15	FC8-4843-000	102 - 15	FC8-4967-000	301 - 1
FC8-4687-000	626 - 16	FC8-4844-000	102 - 16	FC8-4968-000	300 - 2
FC8-4688-000	100 - 49	FC8-4846-000	102 - 17	FC8-4968-000	301 - 2
FC8-4689-000	626 - 17	FC8-4852-000	102 - 18	FC8-4969-000	300 - 8
FC8-4692-000	626 - 1	FC8-4854-000	102 - 19	FC8-4969-000	301 - 8
FC8-4694-000	626 - 2	FC8-4855-000	102 - 20	FC8-4970-000	300 - 22
FC8-4695-000	626 - 3	FC8-4857-000	102 - 21	FC8-4970-000	301 - 22
FC8-4696-000	626 - 4	FC8-4858-000	102 - 22	FC8-4974-000	300 - 3
FC8-4697-000	626 - 5	FC8-4859-000	330 - 6	FC8-4974-000	301 - 3
FC8-4698-000	626 - 6	FC8-4860-000	330 - 7	FC8-4985-000	300 - 4
FC8-4712-000	626 - 18	FC8-4861-000	330 - 2	FC8-4985-000	301 - 4
FC8-4716-000	100 - 27	FC8-4862-000	330 - 8	FC8-4986-000	300 - 9
FC8-4717-000	100 - 27	FC8-4863-000	330 - 9	FC8-4986-000	301 - 9
FC8-4718-000	100 - 27	FC8-4864-000	102 - 23	FC8-4987-000	300 - 10
FC8-4720-000	100 - 27	FC8-4867-000	102 - 24	FC8-4987-000	301 - 10
FC8-4721-000	100 - 27	FC8-4875-000	102 - 25	FC8-4989-000	300 - 24
FC8-4722-000	100 - 27	FC8-4876-000	331 - 33	FC8-4989-000	301 - 24
FC8-4723-000	100 - 28	FC8-4883-000	331 - 2	FC8-4990-000	300 - 25
FC8-4724-000	100 - 28	FC8-4884-000	331 - 34	FC8-4990-000	301 - 25
FC8-4725-000	100 - 28	FC8-4885-000	331 - 3	FC8-4992-000	301 - 32
FC8-4733-000	322 - 2	FC8-4886-000	331 - 4	FC8-4993-000	300 - 5
FC8-4742-000	351 - 11	FC8-4896-000	331 - 5	FC8-4993-000	301 - 5
FC8-4743-000	351 - 12	FC8-4897-000	331 - 36	FC8-4994-000	300 - 51
FC8-4749-000	351 - 13	FC8-4901-000	331 - 6	FC8-4994-000	301 - 53
FC8-4751-000	351 - 14	FC8-4903-000	330 - 10	FC8-4996-000	300 - 26
FC8-4752-000	351 - 1	FC8-4904-000	102 - 26	FC8-4996-000	301 - 26
FC8-4766-000	100 - 23	FC8-4905-000	102 - 27	FC8-4997-000	300 - 61
FC8-4769-000	351 - 15	FC8-4906-000	810 - 6	FC8-4997-000	301 - 61
FC8-4770-000	352 - 33	FC8-4909-000	105 - 28	FC8-5009-000	106 - 2
FC8-4771-000	352 - 34	FC8-4915-000	100 - 25	FC8-5013-000	106 - 3
FC8-4773-000	353 - 5	FC8-4916-000	100 - 26	FC8-5025-000	810 - 7

# NUMERICAL INDEX

## imageRUNNER ADVANCE C5051/5045/5035/5030 Series(Numerical Index)

PARTS NUMBER	FIGURE & KEY NO.	PARTS NUMBER	FIGURE & KEY NO.	PARTS NUMBER	FIGURE & KEY NO
FC8-5027-000	810 - 8	FC8-5335-000	100 - 39	FC8-5633-000	B12 - 7
FC8-5029-000	812 - 8	FC8-5344-000	332 - 12	FC8-5646-000	B30 - 12
FC8-5043-000	810 - 9	FC8-5363-000	100 - 40	FC8-5652-000	B30 - 13
FC8-5047-000	811 - 2	FC8-5375-000	100 - 15	FC8-5654-000	B42 - 5
FC8-5048-000	811 - 3	FC8-5377-000	100 - 16	FC8-5654-000	B43 - 4
FC8-5068-000	810 - 34	FC8-5389-000	332 - 13	FC8-5657-000	B12 - 8
FC8-5073-000	315 - 3	FC8-5396-000	102 - 31	FC8-5660-000	B12 - 11
FC8-5074-000	315 - 4	FC8-5397-000	331 - 12	FC8-5664-000	B12 - 12
FC8-5075-000	315 - 5	FC8-5398-000	331 - 13	FC8-5668-000	B12 - 10
FC8-5077-000	315 - 6	FC8-5399-000	331 - 14	FC8-5669-000	B12 - 9
FC8-5078-000	108 - 16	FC8-5400-000	331 - 15	FC8-5673-000	B30 - 14
FC8-5086-000	100 - 24	FC8-5484-000	B13 - 6	FC8-5679-000	B13 - 10
FC8-5089-000	105 - 2	FC8-5485-000	B41 - 3	FC8-5680-000	B12 - 13
FC8-5094-000	332 - 17	FC8-5486-000	B41 - 4	FC8-5681-000	B40 - 3
FC8-5095-000	332 - 18	FC8-5487-000	B40 - 2	FC8-5682-000	B13 - 11
FC8-5100-000	332 - 36	FC8-5488-000	B41 - 5	FC8-5683-000	B41 - 7
FC8-5105-000	332 - 11	FC8-5490-000	B41 - 6	FC8-5699-000	B17 - 8
FC8-5111-000	352 - 8	FC8-5505-000	B43 - 1	FC8-5706-000	B17 - 5
FC8-5112-000	352 - 9	FC8-5509-000	B13 - 7	FC8-5713-000	B17 - 6
FC8-5117-000	352 - 10	FC8-5513-000	B14 - 3	FC8-5725-000	B13 - 12
FC8-5118-000	352 - 11	FC8-5514-000	B14 - 4	FC8-5727-000	B17 - 19
FC8-5120-000	352 - 12	FC8-5516-000	B14 - 5	FC8-5729-000	B42 - 9
FC8-5128-000	353 - 8	FC8-5520-000	B42 - 4	FC8-5730-000	B42 - 8
FC8-5130-000	353 - 9	FC8-5520-000	B43 - 2	FC8-5739-000	B12 - 15
FC8-5131-000	351 - 31	FC8-5528-000	B11 - 2	FC8-5743-000	B17 - 10
FC8-5149-000	109 - 7	FC8-5529-000	B11 - 3	FC8-5744-000	B17 - 11
FC8-5156-000	316 - 3	FC8-5530-000	B13 - 8	FC8-5751-000	B17 - 12
FC8-5160-000	102 - 28	FC8-5538-000	B14 - 7	FC8-5760-000	B30 - 15
FC8-5162-000	102 - 29	FC8-5545-000	B41 - 8	FC8-5761-000	B32 - 2
FC8-5164-000	330 - 5	FC8-5549-000	B11 - 4	FC8-5762-000	B32 - 3
FC8-5170-000	109 - 2	FC8-5552-000	B11 - 7	FC8-5770-000	B20 - 1
FC8-5174-000	900 - 1	FC8-5553-000	B11 - 8	FC8-5771-000	B13 - 13
FC8-5175-000	900 - 2	FC8-5577-000	B30 - 8	FC8-5772-000	B12 - 54
FC8-5200-000	100 - 22	FC8-5580-000	B13 - 9	FC8-5775-000	B40 - 5
FC8-5213-000	980 - 4	FC8-5583-000	B30 - 9	FC8-5776-000	B12 - 16
FC8-5214-000	980 - 5	FC8-5586-000	B30 - 10	FC8-5777-000	B11 - 10
FC8-5215-000	980 - 6	FC8-5594-000	B30 - 11	FC8-5778-000	B18 - 2
FC8-5221-000	100 - 54	FC8-5600-000	B16 - 3	FC8-5789-000	B11 - 12
FC8-5257-000	960 - 1	FC8-5602-000	B16 - 20	FC8-5790-000	B11 - 13
FC8-5257-000	962 - 1	FC8-5603-000	B16 - 21	FC8-5796-000	B11 - 32
FC8-5262-000	300 - 46	FC8-5604-000	B16 - 4	FC8-5797-000	B18 - 3
FC8-5262-000	301 - 46	FC8-5605-000	B16 - 5	FC8-5802-000	B19 - 5
FC8-5267-000	315 - 7	FC8-5606-000	B16 - 6	FC8-5804-000	B19 - 6
FC8-5293-000	102 - 30	FC8-5607-000	B16 - 7	FC8-5805-000	B19 - 7
FC8-5295-000	316 - 4	FC8-5612-000	B16 - 8	FC8-5810-000	B19 - 8
FC8-5296-000	316 - 12	FC8-5613-000	B16 - 9	FC8-5811-000	B11 - 16
FC8-5298-000	100 - 38	FC8-5616-000	B16 - 10	FC8-5811-000	B19 - 9
FC8-5301-000	331 - 7	FC8-5617-000	B16 - 11	FC8-5814-000	B12 - 17
FC8-5302-000	331 - 8	FC8-5620-000	B11 - 9	FC8-5828-000	B12 - 18
FC8-5303-000	331 - 9	FC8-5623-000	B12 - 6	FC8-5830-000	B31 - 5
FC8-5311-000	331 - 10	FC8-5625-000	B16 - 13	FC8-5833-000	B11 - 17
FC8-5314-000	331 - 11	FC8-5627-000	B16 - 14	FC8-5834-000	B11 - 18

# NUMERICAL INDEX

## imageRUNNER ADVANCE C5051/5045/5035/5030 Series(Numerical Index)

PARTS NUMBER	FIGURE & KEY NO.	PARTS NUMBER	FIGURE & KEY NO.	PARTS NUMBER	FIGURE & KEY NO
FC8-5837-000	B11 - 19	FC8-6331-000	A11 - 15	FC8-8653-000	130 - 11
FC8-5841-000	B16 - 15	FC8-6332-000	A11 - 16	FC8-8654-000	130 - 12
FC8-5842-000	B16 - 16	FC8-6338-000	A13 - 4	FC8-8655-000	130 - 13
FC8-5845-000	B31 - 6	FC8-6339-000	A13 - 5	FC8-8658-000	130 - 14
FC8-5846-000	B16 - 17	FC8-6340-000	A13 - 6	FC8-8659-000	130 - 15
FC8-5879-000	B11 - 14	FC8-6341-000	A13 - 10	FC8-8660-000	130 - 16
FC8-5880-000	B18 - 4	FC8-6348-000	A12 - 7	FC8-8679-000	130 - 17
FC8-5881-000	B18 - 5	FC8-6353-000	A12 - 18	FC9-0048-000	A41 - 33
FC8-5883-000	B18 - 6	FC8-6368-000	A41 - 4	FC9-0049-000	A41 - 34
FC8-5885-000	B18 - 1	FC8-6371-000	A41 - 6	FC9-0104-000	104 - 2
FC8-5888-000	B17 - 4	FC8-6372-000	A41 - 7	FC9-0127-000	300 - 28
FC8-5889-000	B11 - 20	FC8-6373-000	A41 - 31	FC9-0127-000	301 - 28
FC8-5890-000	B11 - 15	FC8-6374-000	A41 - 32	FC9-0128-000	300 - 29
FC8-5895-000	B19 - 4	FC8-6377-000	A41 - 8	FC9-0128-000	301 - 29
FC8-5898-000	B18 - 7	FC8-6378-000	A41 - 9	FC9-0129-000	300 - 30
FC8-5899-000	B30 - 37	FC8-6379-000	A41 - 10	FC9-0129-000	301 - 30
FC8-5901-000	B12 - 51	FC8-6380-000	A41 - 11	FC9-0130-000	300 - 31
FC8-6014-000	D11 - 9	FC8-6381-000	A41 - 37	FC9-0130-000	301 - 31
FC8-6014-000	D11A - 9	FC8-6382-000	A41 - 12	FC9-0133-000	300 - 57
FC8-6015-000	D11 - 24	FC8-6383-000	A41 - 24	FC9-0133-000	301 - 57
FC8-6015-000	D11A - 24	FC8-6384-000	A41 - 27	FC9-0136-000	300 - 6
FC8-6016-000	D11 - 25	FC8-6385-000	A41 - 13	FC9-0136-000	301 - 6
FC8-6016-000	D11A - 25	FC8-6386-000	A41 - 14	FC9-0140-000	300 - 32
FC8-6030-000	D11 - 4	FC8-6387-000	A10 - 6	FC9-0145-000	300 - 56
FC8-6030-000	D11A - 4	FC8-6388-000	A10 - 7	FC9-0145-000	301 - 56
FC8-6034-000	D11 - 5	FC8-6397-000	A41 - 68	FC9-0311-000	100 - 52
FC8-6034-000	D11A - 5	FC8-6399-000	A41 - 30	FC9-0311-000	D01 - 11
FC8-6035-000	D11 - 6	FC8-6403-000	A12 - 11	FC9-0311-000	D10 - 2
FC8-6035-000	D11A - 6	FC8-6403-000	A41 - 38	FC9-4042-000	300 - 7
FC8-6056-000	D12 - 10	FC8-6404-000	A11 - 8	FC9-4042-000	301 - 7
FC8-6062-000	D11 - 10	FC8-6405-000	A10 - 8	FC9-4290-000	310 - 27
FC8-6062-000	D11A - 10	FC8-6406-000	A21 - 2	FC9-4290-000	311 - 27
FC8-6074-000	D10 - 5	FC8-6407-000	A21 - 3	FC9-4382-000	130 - 18
FC8-6077-000	D01 - 2	FC8-6412-000	A41 - 28	FC9-4390-000	130 - 19
FC8-6082-000	D10 - 11	FC8-6418-000	A41 - 18	FC9-4391-000	130 - 20
FC8-6085-000	D10 - 1	FC8-6419-000	A11 - 1	FC9-4396-000	130 - 37
FC8-6090-000	D01 - 1	FC8-6421-000	A41 - 19	FC9-4397-000	130 - 37
FC8-6091-000	D01 - 10	FC8-6422-000	A11 - 10	FC9-4402-000	130 - 39
FC8-6095-000	D10 - 5	FC8-6423-000	A11 - 11	FC9-4403-000	130 - 21
FC8-6098-000	D01 - 2	FC8-7818-000	130 - 36	FC9-4405-000	130 - 40
FC8-6099-000	D10 - 1	FC8-7819-000	130 - 1	FC9-4408-000	130 - 22
FC8-6100-000	D12 - 11	FC8-7820-000	130 - 2	FC9-4942-000	A10 - 13
FC8-6114-000	D10 - 9	FC8-7822-000	130 - 37	FC9-4943-000	A10 - 14
FC8-6115-000	D10 - 10	FC8-7823-000	130 - 3	FC9-4944-000	A10 - 21
FC8-6120-000	D10 - 11	FC8-7824-000	130 - 4	FC9-4956-000	A10 - 9
FC8-6311-000	A10 - 4	FC8-7825-000	130 - 5	FC9-4966-000	A12 - 16
FC8-6316-000	A11 - 19	FC8-7834-000	130 - 6	FC9-4967-000	A12 - 17
FC8-6317-000	A11 - 20	FC8-7838-000	130 - 7	FC9-4968-000	A12 - 19
FC8-6318-000	A11 - 21	FC8-7842-000	130 - 38	FC9-4970-000	A12 - 23
FC8-6319-000	A11 - 6	FC8-8649-000	130 - 8	FC9-4973-000	A12 - 4
FC8-6322-000	A11 - 7	FC8-8650-000	130 - 9	FC9-4981-000	A41 - 25
FC8-6330-000	A10 - 5	FC8-8651-000	130 - 10	FC9-4982-000	A12 - 20

# NUMERICAL INDEX

## imageRUNNER ADVANCE C5051/5045/5035/5030 Series(Numerical Index)

PARTS NUMBER	FIGURE & KEY NO.	PARTS NUMBER	FIGURE & KEY NO.	PARTS NUMBER	FIGURE & KEY NO
FC9-4983-000	A13 - 3	FC9-9215-000	130 - 37	FK2-6450-000	900 - IC
FC9-4984-000	A13 - 16	FC9-9216-000	130 - 37	FK2-6470-000	316 - 5
FC9-7122-000	600 - 14	FC9-9217-000	130 - 37	FK2-6470-000	B30 - 16
FC9-7129-000	600 - 46	FC9-9218-000	130 - 37	FK2-6611-000	D90 - IC
FC9-7142-000	102 - 32	FC9-9219-000	130 - 37	FK2-6611-000	D91 - IC
FC9-7143-000	102 - 33	FC9-9220-000	130 - 37	FK2-6757-000	920 - IC
FC9-7145-000	100 - 41	FC9-9221-000	130 - 37	FK2-6870-000	A41 - 21
FC9-7152-000	101 - 3	FC9-9222-000	130 - 37	FK2-6871-000	A41 - 39
FC9-7160-000	100 - 47	FC9-9223-000	130 - 37	FK2-7162-000	D12 - 5
FC9-7161-000	100 - 47	FC9-9224-000	130 - 37	FK2-7170-000	D90 - IC
FC9-7162-000	100 - 47	FC9-9225-000	130 - 37	FK2-7170-000	D91 - IC
FC9-7163-000	100 - 47	FF6-2397-000	310 - 56	FK2-7173-000	B13 - 15
FC9-7164-000	332 - 45	FF6-2397-000	311 - 56	FK2-7174-000	B12 - 20
FC9-7165-000	332 - 46	FG3-3757-000	A13 - 7	FK2-7175-000	B13 - 16
FC9-7170-000	300 - 59	FH2-6552-000	108 - 18	FK2-7176-000	B12 - 22
FC9-7170-000	301 - 59	FH3-0636-000	963 - T1	FK2-7177-000	B12 - 21
FC9-7171-000	300 - 58	FH6-5076-020	315 - 8	FK2-7178-000	B14 - 11
FC9-7171-000	301 - 58	FH7-7600-010	332 - 39	FK2-7179-000	B12 - 23
FC9-7242-000	300 - 52	FH7-7625-030	140 - 1	FK2-7181-000	B12 - 24
FC9-7243-000	300 - 53	FH7-7626-000	140 - 1	FK2-7182-000	B11 - 11
FC9-7245-000	301 - 64	FK2-0146-000	140 - 6	FK2-7243-000	B11 - 21
FC9-7253-000	310 - 10	FK2-0148-000	140 - 7	FK2-7285-000	251 - 4
FC9-7253-000	311 - 10	FK2-0149-000	310 - 28	FK2-7286-000	108 - 15
FC9-7259-000	300 - 11	FK2-0149-000	311 - 28	FK2-7286-000	911 - 2
FC9-7259-000	301 - 11	FK2-0207-000	A21 - 4	FK2-7290-000	105 - 8
FC9-7260-000	300 - 12	FK2-0216-000	A10 - 10	FK2-7291-000	103 - 4
FC9-7260-000	301 - 12	FK2-0360-000	108 - 8	FK2-7295-000	106 - 1
FC9-7261-000	300 - 13	FK2-0408-000	310 - 29	FK2-7296-000	106 - 1
FC9-7261-000	301 - 13	FK2-0408-000	311 - 29	FK2-7297-000	900 - IC
FC9-7861-000	100 - 48	FK2-0428-000	T21 - 1	FK2-7298-000	251 - 5
FC9-7862-000	100 - 48	FK2-0472-010	D11 - 12	FK2-7300-000	530 - 39
FC9-7863-000	100 - 48	FK2-0472-010	D11A - 12	FK2-7302-000	108 - 2
FC9-7864-000	900 - 10	FK2-0681-000	963 - T3	FK2-7303-000	251 - 6
FC9-7904-000	900 - 15	FK2-0681-000	963 - T3	FK2-7304-000	315 - 9
FC9-7914-000	530 - 82	FK2-1773-000	961 - IC	FK2-7304-000	351 - 32
FC9-7915-000	530 - 83	FK2-1773-000	962 - IC	FK2-7304-000	815 - 12
FC9-7916-000	530 - 84	FK2-1773-000	B90 - IC	FK2-7310-000	315 - 10
FC9-7919-000	322 - 13	FK2-2069-000	105 - 3	FK2-7315-000	323 - 1
FC9-7926-000	530 - 85	FK2-2069-000	270 - 1	FK2-7321-000	900 - IC
FC9-7928-000	106 - 21	FK2-3149-000	B14 - 10	FK2-7321-000	960 - IC
FC9-7933-000	600 - 29	FK2-3218-000	900 - IC	FK2-7326-000	313 - 3
FC9-7940-000	100 - 56	FK2-3218-000	920 - IC	FK2-7326-000	322 - 11
FC9-7941-000	100 - 55	FK2-3679-000	103 - 12	FK2-7327-000	322 - 10
FC9-7943-000	600 - 34	FK2-3679-000	105 - 4	FK2-7328-000	600 - 33
FC9-7949-000	102 - 3	FK2-3679-000	108 - 14	FK2-7330-000	106 - 26
FC9-9203-000	A11 - 17	FK2-3714-000	B12 - 19	FK2-7348-000	107 - 2
FC9-9209-000	130 - 37	FK2-3739-000	920 - IC	FK2-7349-000	980 - 7
FC9-9210-000	130 - 37	FK2-3741-000	920 - IC	FK2-7350-000	981 - 1
FC9-9211-000	130 - 37	FK2-3745-000	920 - IC	FK2-7359-000	140 - 1
FC9-9212-000	130 - 37	FK2-3746-000	920 - IC	FK2-7362-000	105 - 6
FC9-9213-000	130 - 37	FK2-6324-000	109 - 1	FK2-7365-000	530 - 17
FC9-9214-000	130 - 37	FK2-6325-000	109 - 1	FK2-7367-000	001 - 4

# NUMERICAL INDEX

## imageRUNNER ADVANCE C5051/5045/5035/5030 Series(Numerical Index)

PARTS NUMBER	FIGURE & KEY NO.	PARTS NUMBER	FIGURE & KEY NO.	PARTS NUMBER	FIGURE & KEY NO
FK2-7596-000	900 - IC	FL2-9535-000	323 - 2	FL3-0627-000	130 - 24
FK2-7646-000	B13 - 17	FL2-9568-000	B40 - 6	FL3-0628-000	130 - 25
FK2-7646-000	B20 - 2	FL2-9569-000	B40 - 7	FL3-0629-000	130 - 26
FK2-7765-000	B15 - 17	FL2-9571-000	B40 - 8	FL3-0630-000	130 - 27
FK2-7895-000	623 - 1	FL2-9573-000	B13 - 18	FL3-0833-000	130 - 28
FK2-7895-000	624 - 1	FL2-9574-000	B43 - 5	FL3-1109-000	530 - 62
FK2-8272-000	910 - IC	FL2-9575-000	B43 - 6	FL3-1115-000	352 - 35
FK2-8275-000	920 - IC	FL2-9578-000	B14 - 12	FL3-1123-000	100 - 50
FK2-8321-000	920 - IC	FL2-9586-000	B43 - 7	FL3-1125-000	352 - 15
FK2-8372-000	900 - 3	FL2-9587-000	B11 - 22	FL3-1126-000	352 - 36
FK2-8372-000	910 - 2	FL2-9588-000	B11 - 5	FL3-1154-000	600 - 15
FK2-8418-000	900 - 9	FL2-9589-000	B11 - 6	FL3-1159-000	600 - 16
FK2-8424-000	T20 - 1	FL2-9590-000	B12 - 27	FL3-1167-000	352 - 17
FK2-8430-000	900 - 4	FL2-9608-000	B30 - 17	FL3-1169-000	352 - 18
FK2-8432-000	900 - 5	FL2-9614-000	B16 - 18	FL3-1170-000	106 - 6
FK2-8443-000	109 - 12	FL2-9615-000	B30 - 2	FL3-1185-000	100 - 43
FK2-8447-000	109 - 17	FL2-9616-000	B30 - 3	FL3-1186-000	105 - 14
FK2-8474-000	130 - T9001	FL2-9619-000	B12 - 25	FL3-1197-000	109 - 4
FK2-8477-000	130 - 23	FL2-9620-000	D10 - 13	FL3-1198-000	813 - 2
FK2-8503-000	D11 - 13	FL2-9622-000	B16 - 19	FL3-2447-000	A12 - 10
FK2-8503-000	D11A - 13	FL2-9623-000	B30 - 18	FL3-2448-000	A12 - 12
FK2-8513-000	D90 - IC	FL2-9627-000	B32 - 6	FL3-2449-000	A13 - 9
FK2-8513-000	D91 - IC	FL2-9650-000	B17 - 13	FL3-2450-000	A13 - 1
FK2-8515-000	D11 - 11	FL2-9663-000	B12 - 26	FL3-2451-000	A13 - 2
FK2-8515-000	D11A - 11	FL2-9665-000	B12 - 28	FL3-2452-000	A13 - 11
FK2-8611-000	A41 - 20	FL2-9667-000	B43 - 3	FL3-2613-000	140 - 2
FK2-8612-000	A10 - 11	FL2-9708-000	B11 - 23	FL3-2614-000	140 - 3
FK2-8614-000	A10 - 17	FL2-9709-000	B11 - 24	FL3-2615-000	140 - 3
FK3-0045-000	001 - 1	FL2-9710-000	B18 - 8	FL3-2857-000	300 - 27
FK3-0046-000	001 - 2	FL2-9716-000	B17 - 3	FL3-2858-000	301 - 27
FK3-0047-000	001 - 3	FL2-9788-000	D12 - 7	FL3-2859-000	300 - 23
FK3-0048-000	001 - 3	FL2-9793-000	D12 - 1	FL3-2859-000	301 - 23
FK3-0049-000	001 - 3	FL2-9802-000	D01 - 3	FL3-2860-000	A11 - 14
FK3-0050-000	001 - 1	FL2-9803-000	D01 - 4	FL3-2861-000	A10 - 12
FL2-0741-000	B42 - 6	FL2-9804-000	D01 - 5	FL3-3159-000	321 - 1
FL2-4376-000	813 - 1	FL2-9807-000	D01 - 6	FL3-3166-000	100 - 44
FL2-4856-000	D12 - 6	FL2-9815-000	D10 - 12	FL3-3167-000	100 - 45
FL2-5277-000	810 - 26	FL2-9817-000	D01 - 7	FL3-3168-000	900 - 6
FL2-5804-000	316 - 6	FL2-9818-000	D01 - 7	FL3-3171-000	332 - 40
FL2-6580-000	310 - 30	FL2-9819-000	D10 - 13	FL3-3172-000	332 - 41
FL2-6580-000	311 - 30	FL2-9820-000	D10 - 15	FL3-3173-000	332 - 44
FL2-9460-000	530 - 40	FL2-9823-000	D12 - 3	FL3-3180-000	332 - 16
FL2-9472-000	300 - 33	FL2-9826-000	D10 - 6	FL3-3570-000	333 - 4
FL2-9472-000	301 - 33	FL2-9827-000	D10 - 6	FL3-3573-000	101 - 4
FL2-9476-000	101 - 10	FL2-9933-000	A11 - 12	FL3-3585-000	108 - 6
FL2-9493-000	332 - 14	FL2-9934-000	A11 - 13	FL3-4254-000	332 - 37
FL2-9495-000	332 - 15	FL2-9937-000	A41 - 22	FL3-4274-000	353 - 10
FL2-9503-000	331 - 16	FL2-9939-000	A41 - 36	FM2-1022-000	B12 - 29
FL2-9510-000	352 - 13	FL2-9942-000	A41 - 43	FM2-1022-000	B30 - 19
FL2-9527-000	102 - 34	FL2-9948-000	A12 - 9	FM2-1022-000	B31 - 10
FL2-9530-000	100 - 53	FL2-9949-000	A41 - 5	FM2-1023-000	B30 - 20
FL2-9531-000	109 - 3	FL3-0626-000	100 - 42	FM2-1024-000	B16 - 22

# NUMERICAL INDEX

## imageRUNNER ADVANCE C5051/5045/5035/5030 Series(Numerical Index)

PARTS NUMBER	FIGURE & KEY NO.	PARTS NUMBER	FIGURE & KEY NO.	PARTS NUMBER	FIGURE & KEY NO
FM2-5569-000	T21 -	FM3-5994-000	815 -	FM3-6116-000	530 - 74
FM3-0006-000	350 - 10	FM3-5998-000	108 - 13	FM3-6119-000	530 - 68
FM3-0006-000	352 - 29	FM3-5999-000	351 -	FM3-6120-000	104 - 13
FM3-0006-000	353 - 23	FM3-6001-000	322 -	FM3-6176-000	B40 -
FM3-4146-000	310 - 53	FM3-6002-000	351 - 38	FM3-6177-000	B43 -
FM3-4146-000	311 - 53	FM3-6003-000	351 - 39	FM3-6179-000	B41 -
FM3-5420-000	460 -	FM3-6006-000	102 -	FM3-6180-000	B31 -
FM3-5425-000	460 -	FM3-6007-000	330 -	FM3-6182-000	B31 - 7
FM3-5489-000	D11 - 14	FM3-6009-000	105 - 15	FM3-6187-000	B14 - 15
FM3-5489-000	D11A - 14	FM3-6010-000	109 - 6	FM3-6189-000	B12 - 52
FM3-5490-000	B14 - 14	FM3-6011-000	316 -	FM3-6194-000	B12 - 14
FM3-5493-000	D10 - 4	FM3-6012-000	109 - 15	FM3-6210-000	B16 -
FM3-5580-000	T20 - 2	FM3-6013-000	332 -	FM3-6211-000	B16 - 23
FM3-5927-000	106 - 4	FM3-6014-000	332 - 29	FM3-6212-000	B12 - 53
FM3-5928-000	270 -	FM3-6015-000	333 -	FM3-6213-000	B11 - 33
FM3-5932-000	531 -	FM3-6018-000	531 - 2	FM3-6219-000	B19 -
FM3-5933-000	104 - 9	FM3-6023-000	900 - 8	FM3-6238-000	B11 - 34
FM3-5934-000	313 -	FM3-6030-000	911 -	FM3-6295-000	D12 - 4
FM3-5935-000	310 -	FM3-6031-000	911 - 1	FM3-7561-000	B90 -
FM3-5944-000	323 -	FM3-6034-000	963 -	FM3-7613-000	D91 -
FM3-5945-000	770 -	FM3-6038-000	980 -	FM3-7792-000	963 - 2
FM3-5949-000	810 - 24	FM3-6039-000	981 -	FM3-7793-000	140 - 5
FM3-5950-000	810 - 24	FM3-6041-000	108 - 11	FM3-7794-000	106 - 11
FM3-5951-000	810 - 24	FM3-6044-000	103 - 1	FM3-7797-000	811 - 8
FM3-5952-000	811 -	FM3-6045-000	140 -	FM3-7798-000	107 - 6
FM3-5953-000	810 - 22	FM3-6049-000	103 - 10	FM3-7799-000	103 - 2
FM3-5954-000	810 - 29	FM3-6051-000	963 -	FM3-7800-000	109 - 8
FM3-5955-000	810 - 28	FM3-6052-000	963 -	FM3-7801-000	911 - 3
FM3-5956-000	812 -	FM3-6053-000	963 -	FM3-7802-000	911 - 4
FM3-5960-000	331 -	FM3-6054-000	963 -	FM3-7803-000	109 - 16
FM3-5962-000	315 -	FM3-6055-000	140 -	FM3-7807-000	103 - 25
FM3-5963-000	352 -	FM3-6056-000	140 -	FM3-7808-000	103 - 18
FM3-5964-000	352 - 30	FM3-6057-000	140 -	FM3-7815-000	107 - 4
FM3-5965-000	353 -	FM3-6064-000	101 - 7	FM3-7824-000	140 - 4
FM3-5966-000	106 - 8	FM3-6066-000	107 - 1	FM3-7852-000	963 - 1
FM3-5967-000	813 -	FM3-6070-000	103 - 14	FM3-7854-000	530 - 78
FM3-5968-000	101 - 9	FM3-6076-000	107 - 16	FM3-7855-000	530 - 79
FM3-5977-000	350 -	FM3-6078-000	104 - 1	FM3-7856-000	530 - 80
FM3-5978-000	623 -	FM3-6079-000	104 - 11	FM3-7859-000	109 - 13
FM3-5979-000	624 -	FM3-6080-000	104 - 12	FM3-7862-000	103 - 22
FM3-5981-000	620 - 2	FM3-6086-000	106 - 13	FM3-7863-000	600 - 36
FM3-5981-000	621 - 2	FM3-6087-000	106 - 14	FM3-7879-000	109 - 18
FM3-5982-000	620 - 3	FM3-6091-000	106 - 7	FM3-7882-000	108 - 17
FM3-5983-000	621 - 3	FM3-6095-000	103 - 19	FM3-7888-000	107 - 7
FM3-5984-000	620 - 4	FM3-6096-000	100 - 1	FM3-7889-000	106 - 12
FM3-5984-000	621 - 4	FM3-6098-000	100 - 4	FM3-7931-000	900 - 11
FM3-5986-000	627 -	FM3-6099-000	100 - 46	FM3-7932-000	962 - 2
FM3-5987-000	628 -	FM3-6100-000	101 -	FM3-7933-000	961 -
FM3-5988-000	108 - 3	FM3-6104-000	100 - 5	FM3-7934-000	960 - 2
FM3-5989-000	108 - 4	FM3-6105-000	100 - 7	FM3-7935-000	911 - 5
FM3-5992-000	627 -	FM3-6108-000	105 - 9	FM3-7936-000	963 - 3
FM3-5993-000	628 -	FM3-6109-000	270 - 3	FM3-7937-000	963 - 3



# NUMERICAL INDEX

## imageRUNNER ADVANCE C5051/5045/5035/5030 Series(Numerical Index)

PARTS NUMBER	FIGURE & KEY NO.	PARTS NUMBER	FIGURE & KEY NO.	PARTS NUMBER	FIGURE & KEY NO
FM3-7938-000	600 - 38	FM3-8979-000	640 -	FS1-1569-000	B42 - 7
FM3-7940-000	600 - 39	FM3-9230-000	311 -	FS1-1569-000	B43 - 8
FM3-7941-000	106 - 9	FM4-0780-000	920 - 1	FS1-1596-000	350 - 4
FM3-7944-000	251 - 7	FM4-0783-000	910 - 3	FS1-9003-020	D01 - 8
FM3-7945-000	600 - 35	FM4-0785-000	T20 - 3	FS1-9009-020	B31 - 12
FM3-7948-000	620 - 5	FM4-0788-000	T20 - 4	FS1-9010-020	530 - 12
FM3-7948-000	621 - 5	FM4-0795-000	900 - 12	FS1-9120-020	D12 - 8
FM3-7949-000	600 - 41	FM4-0819-000	T20 - 5	FS1-9169-000	102 - 36
FM3-7950-000	963 - 4	FM4-0821-000	T20 - 6	FS1-9194-020	811 - 4
FM3-7952-000	963 - 3	FM4-0831-000	910 - 4	FS2-1544-000	332 - 19
FM3-7953-000	963 - 3	FM4-0832-000	920 - 2	FS2-9001-020	102 - 37
FM3-7954-000	963 - 3	FM4-0833-000	920 - 3	FS5-0662-000	104 - 3
FM3-7955-000	911 - 6	FM4-0833-000	920 - 3	FS5-1372-000	B11 - 25
FM3-7992-000	130 -	FM4-1194-000	130 - 41	FS5-1377-000	352 - 37
FM3-7993-000	130 - 35	FM4-1195-000	130 - 42	FS5-1595-000	812 - 10
FM3-7994-000	130 - 31	FM4-1196-000	130 - 43	FS5-1943-000	310 - 31
FM3-8276-000	D11A - 15	FM4-1198-000	130 - 33	FS5-1943-000	311 - 31
FM3-8277-000	D11 - 15	FM4-1199-000	130 - 34	FS5-1943-000	350 - 5
FM3-8889-000	600 - 42	FM4-1201-000	310 - 54	FS5-1943-000	351 - 19
FM3-8891-000	624 - 4	FM4-1201-000	311 - 54	FS5-1943-000	352 - 19
FM3-8893-000	331 - 35	FM4-1724-000	A41 -	FS5-1943-000	353 - 11
FM3-8894-000	330 - 4	FM4-1725-000	A41 - 42	FS5-1943-000	810 - 11
FM3-8896-000	103 - 13	FM4-1727-000	A12 -	FS5-2964-000	107 - 8
FM3-8897-000	103 - 3	FM4-1728-000	A12 - 13	FS5-3989-000	B13 - 20
FM3-8899-000	626 - 9	FM4-1729-000	A13 -	FS5-6488-000	353 - 12
FM3-8902-000	321 -	FM4-1730-000	A10 - 22	FS5-6945-000	300 - 34
FM3-8903-000	110 - 1	FM4-1736-000	A90 -	FS5-6945-000	301 - 34
FM3-8905-000	300 - 54	FM4-1737-000	A12 - 5	FS5-6948-000	530 - 42
FM3-8905-000	301 - 54	FM4-1738-000	A10 - 25	FS5-9162-020	105 - 19
FM3-8906-000	300 - 44	FM4-1747-000	A12 - 6	FS5-9215-000	600 - 17
FM3-8906-000	301 - 44	FM4-1748-000	A13 - 13	FS5-9224-020	815 - 5
FM3-8907-000	300 - 45	FM4-2525-000	310 - 58	FS5-9227-020	D11 - 16
FM3-8907-000	301 - 45	FM4-2525-000	311 - 58	FS5-9227-020	D11A - 16
FM3-8908-000	623 - 4	FM4-3014-000	D90 -	FS5-9282-020	103 - 20
FM3-8911-000	300 - 55	FM4-3246-000	D11 - 26	FS5-9360-020	600 - 25
FM3-8911-000	301 - 55	FM4-3263-000	D11A - 26	FS5-9758-020	107 - 9
FM3-8914-000	530 - 77	FM4-3830-000	910 - 1	FS6-1058-000	332 - 20
FM3-8917-000	104 - 10	FM4-3831-000	910 - 1	FS7-2800-000	310 - 33
FM3-8927-000	100 - 12	FM4-3832-000	910 - 1	FS7-2800-000	311 - 33
FM3-8928-000	103 - 23	FM4-3833-000	910 - 1	FS7-2801-000	310 - 34
FM3-8929-000	108 - 10	FM4-3838-000	920 -	FS7-2801-000	311 - 34
FM3-8932-000	106 - 10	FS1-1508-000	105 - 7	FS7-2803-000	310 - 35
FM3-8934-000	101 - 8	FS1-1508-000	530 - 41	FS7-2803-000	311 - 35
FM3-8939-000	640 -	FS1-1508-000	813 - 3	FU3-0267-000	530 - 43
FM3-8940-000	100 - 19	FS1-1528-000	810 - 10	FU3-0277-000	B30 - 22
FM3-8941-000	T20 -	FS1-1569-000	B12 - 30	FU3-0280-000	310 - 36
FM3-8973-000	640 -	FS1-1569-000	B13 - 19	FU3-0280-000	311 - 36
FM3-8974-000	640 -	FS1-1569-000	B14 - 16	FU3-0282-000	310 - 37
FM3-8975-000	640 -	FS1-1569-000	B30 - 21	FU3-0282-000	311 - 37
FM3-8976-000	640 -	FS1-1569-000	B31 - 11	FU3-0283-000	310 - 38
FM3-8977-000	640 -	FS1-1569-000	B40 - 9	FU3-0283-000	311 - 38
FM3-8978-000	640 -	FS1-1569-000	B41 - 10	FU3-0284-000	310 - 39

# NUMERICAL INDEX

## imageRUNNER ADVANCE C5051/5045/5035/5030 Series(Numerical Index)

PARTS NUMBER	FIGURE & KEY NO.	PARTS NUMBER	FIGURE & KEY NO.	PARTS NUMBER	FIGURE & KEY NO
FU3-0284-000	311 - 39	FU5-3020-000	353 - 15	FU6-2924-000	333 - 6
FU3-0288-000	310 - 40	FU5-3021-000	352 - 21	FU6-2925-000	332 - 50
FU3-0288-000	311 - 40	FU5-3530-000	B13 - 22	FU6-2927-000	332 - 38
FU3-0289-000	310 - 41	FU5-3531-000	B13 - 23	FU6-8646-000	101 - 5
FU3-0289-000	311 - 41	FU5-3534-000	B12 - 34	FU6-8708-000	B11 - 30
FU3-0296-000	332 - 48	FU5-3534-000	B13 - 24	FU6-8861-000	920 - 5
FU3-0297-000	332 - 49	FU5-3695-000	B30 - 24	FU7-0197-000	322 - 4
FU3-0313-000	B30 - 23	FU5-3696-000	B30 - 25	FU7-0205-000	B41 - 13
FU3-0343-000	530 - 44	FU5-3705-000	D11 - 17	FU7-0267-000	810 - 13
FU3-0347-000	310 - 42	FU5-3705-000	D11A - 17	FU7-0270-000	811 - 5
FU3-0347-000	311 - 42	FU5-3967-000	322 - 3	FU7-0296-000	815 - 6
FU3-0349-000	310 - 43	FU5-6073-000	B31 - 14	FU7-0297-000	815 - 7
FU3-0349-000	311 - 43	FU5-6077-000	B31 - 15	FU7-0318-000	105 - 10
FU3-0350-000	310 - 44	FU5-6078-000	B16 - 24	FU7-0326-000	810 - 14
FU3-0350-000	311 - 44	FU5-6078-000	B40 - 12	FU7-0327-000	810 - 15
FU5-0007-000	315 - 11	FU5-6078-000	B41 - 11	FU7-0328-000	810 - 16
FU5-0033-000	315 - 12	FU5-6080-000	B40 - 13	FU7-0329-000	812 - 14
FU5-0076-000	353 - 14	FU5-6080-000	B41 - 12	FU7-0336-000	315 - 15
FU5-0338-000	B12 - 31	FU5-6861-000	332 - 21	FU7-0337-000	315 - 16
FU5-0339-000	B13 - 21	FU5-6871-000	B30 - 26	FU7-0353-000	313 - 1
FU5-0339-000	B40 - 10	FU5-6872-000	B30 - 27	FU7-0445-000	310 - 49
FU5-0340-000	B12 - 32	FU5-9038-000	B13 - 25	FU7-0445-000	311 - 49
FU5-0341-000	B40 - 11	FU5-9167-000	A01 - 1	FU7-0473-000	B41 - 14
FU5-1033-000	102 - 38	FU5-9167-000	B01 - 1	FU7-0514-000	B41 - 15
FU5-1033-000	310 - 45	FU5-9168-000	A01 - 2	FU7-0515-000	B12 - 36
FU5-1033-000	311 - 45	FU5-9168-000	B01 - 2	FU7-0848-000	310 - 50
FU5-1035-000	330 - 3	FU5-9372-000	B12 - 35	FU7-0848-000	311 - 50
FU5-1035-000	331 - 17	FU5-9447-000	106 - 19	FU7-2326-000	300 - 40
FU5-1035-000	333 - 5	FU5-9449-000	812 - 13	FU7-2326-000	301 - 40
FU5-1168-000	A10 - 23	FU5-9737-000	531 - 1	FU7-2327-000	300 - 41
FU5-1168-000	A11 - 18	FU6-0028-000	810 - 12	FU7-2327-000	301 - 41
FU5-1172-000	A12 - 24	FU6-0071-000	530 - 45	FU7-2328-000	300 - 62
FU5-1172-000	A41 - 50	FU6-0147-000	530 - 46	FU7-2328-000	301 - 62
FU5-1173-000	A10 - 15	FU6-0681-000	530 - 47	FU7-2446-000	351 - 20
FU5-1448-000	251 - 8	FU6-0686-000	530 - 48	FU7-2447-000	109 - 14
FU5-1457-000	102 - 39	FU6-0695-000	530 - 49	FU7-2449-000	530 - 75
FU5-1457-000	331 - 18	FU6-0710-000	310 - 55	FU7-2450-000	530 - 50
FU5-1559-000	812 - 11	FU6-0710-000	311 - 55	FU7-2451-000	530 - 13
FU5-1615-000	315 - 13	FU6-1020-000	102 - 55	FU7-2452-000	530 - 52
FU5-1626-000	A12 - 25	FU6-1021-000	B41 - 9	FU7-2453-000	530 - 14
FU5-1626-000	A41 - 51	FU6-1022-000	102 - 35	FU7-2454-000	530 - 15
FU5-1763-000	310 - 46	FU6-1088-000	A41 - 52	FU7-2459-000	626 - 8
FU5-1763-000	311 - 46	FU6-1089-000	A41 - 53	FU7-2460-000	627 - 5
FU5-2068-030	350 - 6	FU6-2644-000	810 - 25	FU7-2460-000	628 - 5
FU5-2074-000	350 - 7	FU6-2648-000	315 - 14	FU7-2462-000	530 - 63
FU5-2074-000	353 - 13	FU6-2684-000	310 - 47	FU7-2464-000	810 - 17
FU5-2234-000	B12 - 33	FU6-2684-000	311 - 47	FU7-2466-000	103 - 21
FU5-2235-020	B19 - 10	FU6-2740-000	B31 - 16	FU7-2469-000	600 - 26
FU5-2240-000	B31 - 13	FU6-2784-000	310 - 48	FU7-2470-000	600 - 30
FU5-2683-000	812 - 12	FU6-2784-000	311 - 48	FU7-2471-000	315 - 17
FU5-3016-000	102 - 40	FU6-2900-000	B17 - 16	FU7-2476-000	332 - 22
FU5-3018-000	352 - 20	FU6-2924-000	330 - 13	FU7-2478-000	102 - 41

# NUMERICAL INDEX

## imageRUNNER ADVANCE C5051/5045/5035/5030 Series(Numerical Index)

PARTS NUMBER	FIGURE & KEY NO.	PARTS NUMBER	FIGURE & KEY NO.	PARTS NUMBER	FIGURE & KEY NO
FU7-2479-000	102 - 42	FU7-2550-000	B14 - 9	FU8-0150-000	815 - 10
FU7-2480-000	102 - 43	FU7-2551-000	B14 - 8	FU8-0156-000	815 - 11
FU7-2481-000	815 - 8	FU7-2552-000	B13 - 26	FU8-0162-000	315 - 18
FU7-2485-000	316 - 7	FU7-2553-000	B13 - 27	FU8-0164-000	813 - 5
FU7-2487-000	102 - 44	FU7-2554-000	B13 - 28	FU8-0171-000	600 - 27
FU7-2488-000	102 - 45	FU7-2555-000	B17 - 17	FU8-0172-000	600 - 43
FU7-2489-000	102 - 46	FU7-2556-000	B32 - 5	FU8-0175-000	315 - 19
FU7-2498-000	331 - 19	FU7-2557-000	B43 - 9	FU8-0178-000	813 - 6
FU7-2501-000	600 - 31	FU7-2558-000	B43 - 10	FU8-0179-000	813 - 7
FU7-2502-000	102 - 47	FU7-2559-000	B12 - 37	FU8-0182-000	332 - 23
FU7-2504-000	103 - 17	FU7-2560-000	B11 - 27	FU8-0183-000	812 - 16
FU7-2506-000	321 - 2	FU7-2561-000	B13 - 29	FU8-0190-000	600 - 45
FU7-2507-000	530 - 53	FU7-2562-000	B31 - 17	FU8-0192-000	810 - 18
FU7-2508-000	530 - 61	FU7-2563-000	B30 - 30	FU8-0195-000	350 - 8
FU7-2510-000	352 - 38	FU7-2564-000	B13 - 30	FU8-0196-000	353 - 16
FU7-2511-000	352 - 39	FU7-2564-000	B20 - 3	FU8-0197-000	351 - 35
FU7-2512-000	352 - 22	FU7-2566-000	B17 - 7	FU8-0198-000	351 - 21
FU7-2513-000	300 - 42	FU7-2567-000	B17 - 15	FU8-0199-000	351 - 22
FU7-2513-000	301 - 42	FU7-2568-000	B17 - 14	FU8-0201-000	322 - 12
FU7-2514-000	300 - 43	FU7-2591-000	D11 - 18	FU8-0202-000	102 - 58
FU7-2514-000	301 - 43	FU7-2591-000	D11A - 18	FU8-0203-000	102 - 59
FU7-2515-000	300 - 63	FU7-2592-000	D11 - 19	FU8-0204-000	102 - 60
FU7-2515-000	301 - 63	FU7-2592-000	D11A - 19	FU8-0209-000	600 - 44
FU7-2517-000	530 - 54	FU7-2593-000	D11 - 2	FU8-0210-000	600 - 47
FU7-2518-000	300 - 14	FU7-2593-000	D11A - 2	FU8-0228-000	B12 - 38
FU7-2518-000	301 - 14	FU7-2651-000	A10 - 16	FU8-0229-000	B12 - 39
FU7-2519-000	330 - 11	FU7-2652-000	A11 - 9	FU8-0230-000	B12 - 40
FU7-2520-000	102 - 48	FU7-2654-000	A12 - 26	FU8-0232-000	B12 - 41
FU7-2521-000	331 - 20	FU7-2655-000	A12 - 27	FU8-0235-000	B12 - 42
FU7-2521-000	812 - 15	FU7-2656-000	A12 - 28	FU8-0236-000	B30 - 31
FU7-2522-000	331 - 21	FU7-2657-000	A41 - 44	FU8-0237-000	B16 - 26
FU7-2523-000	331 - 22	FU7-2658-000	A41 - 54	FU8-0238-000	B16 - 27
FU7-2524-000	331 - 23	FU7-2659-000	A41 - 55	FU8-0239-000	B13 - 32
FU7-2525-000	331 - 24	FU7-2660-000	A41 - 56	FU8-0239-000	B20 - 4
FU7-2526-000	331 - 25	FU7-5186-000	B13 - 31	FU8-0240-000	B14 - 6
FU7-2527-000	102 - 49	FU7-5378-000	310 - 32	FU8-0299-000	A12 - 21
FU7-2528-000	102 - 50	FU7-5378-000	311 - 32	FU8-0300-000	A12 - 22
FU7-2530-000	105 - 11	FU7-8079-000	D10 - 14	FU8-0302-000	A12 - 29
FU7-2531-000	600 - 32	FU7-8084-000	D10 - 8	FU8-0303-000	A41 - 57
FU7-2534-000	815 - 9	FU7-8133-000	A13 - 14	FU8-0304-000	A41 - 26
FU7-2535-000	331 - 26	FU7-8134-000	A13 - 12	FU8-0305-000	A41 - 58
FU7-2536-000	331 - 27	FU7-8135-000	A10 - 19	FU8-0306-000	A41 - 40
FU7-2537-000	331 - 28	FU7-8138-000	A10 - 18	FU8-0307-000	A41 - 29
FU7-2538-000	600 - 18	FU7-8142-000	A10 - 1	FU8-0308-000	A41 - 59
FU7-2541-000	B16 - 25	FU7-8164-000	A10 - 24	FU8-0309-000	A41 - 60
FU7-2542-000	B30 - 28	FU7-8164-000	B11 - 26	FU8-0310-000	A41 - 61
FU7-2544-000	B30 - 29	FU7-8223-000	A10 - 2	FU8-0311-000	A21 - 5
FU7-2545-000	B18 - 9	FU8-0079-000	351 - 33	FU8-0312-000	A41 - 62
FU7-2546-000	B40 - 14	FU8-0137-000	623 - 2	FU8-0313-000	A41 - 63
FU7-2547-000	B40 - 15	FU8-0137-000	624 - 2	FU8-0314-000	A41 - 64
FU7-2548-000	B41 - 16	FU8-0141-000	530 - 51	FU8-0315-000	A41 - 65
FU7-2549-000	B41 - 17	FU8-0150-000	351 - 34	FU8-0316-000	A41 - 66

# NUMERICAL INDEX

## imageRUNNER ADVANCE C5051/5045/5035/5030 Series(Numerical Index)

PARTS NUMBER	FIGURE & KEY NO.	PARTS NUMBER	FIGURE & KEY NO.	PARTS NUMBER	FIGURE & KEY NO
FU8-0317-000	A41 - 67	NPN	B32 -	VS1-7177-004	A21 - 8
FU8-0318-000	A41 - 23	NPN	B42 -	VS1-7177-004	B15 - 3
FU8-0319-000	A21 - 6	NPN	D01 -	VS1-7177-004	B20 - 5
FU8-0320-000	A21 - 7	NPN	D10 -	VS1-7177-004	B31 - 8
FU8-0890-000	A12 - 8	NPN	D11 -	VS1-7177-005	351 - 3
FU8-2278-000	812 - 17	NPN	D11A -	VS1-7177-005	B15 - 4
FU8-2279-000	810 - 19	NPN	D12 -	VS1-7177-006	811 - 9
FU8-2283-000	351 - 36	RB1-2190-000	315 - 20	VS1-7177-006	B12 - 50
FU8-2284-000	351 - 23	RB2-5850-000	331 - 37	VS1-7177-006	B15 - 5
FU8-2285-000	322 - 14	RS5-1567-000	332 - 24	VS1-7177-006	B17 - 18
FU8-2286-000	351 - 37	VS1-7177-002	104 - 15	VS1-7177-008	315 - 23
FU8-2288-000	330 - 12	VS1-7177-002	105 - 23	VS1-7177-008	351 - 27
FU8-2290-000	600 - 19	VS1-7177-002	106 - 23	VS1-7177-008	B15 - 6
FU8-2293-000	331 - 29	VS1-7177-002	251 - 9	VS1-7177-009	B15 - 7
FU8-2295-000	102 - 51	VS1-7177-002	310 - 57	VS1-7177-009	B30 - 32
HH2-2824-000	T20 - 8	VS1-7177-002	311 - 57	VS1-7177-010	108 - 20
NPN	001 -	VS1-7177-002	315 - 22	VS1-7177-010	811 - 10
NPN	100 -	VS1-7177-002	352 - 42	VS1-7177-012	530 - 89
NPN	103 -	VS1-7177-002	353 - 24	VS1-7177-012	B15 - 8
NPN	104 -	VS1-7177-002	A10 - 3	VS1-7177-013	B15 - 16
NPN	105 -	VS1-7177-002	A41 - 49	VS1-7177-014	B15 - 9
NPN	106 -	VS1-7177-002	B11 - 35	VS1-8412-003	102 - 62
NPN	107 -	VS1-7177-002	B15 - 1	VS1-8412-003	B15 - 10
NPN	108 -	VS1-7177-002	B31 - 4	VS1-8412-007	103 - 29
NPN	109 -	VS1-7177-002	T20 - 7	VS1-8412-007	108 - 21
NPN	110 -	VS1-7177-002	T21 - 2	VS1-8412-007	B15 - 11
NPN	251 -	VS1-7177-003	103 - 26	VS1-8412-009	102 - 63
NPN	300 -	VS1-7177-003	104 - 16	VS1-8412-009	B15 - 12
NPN	301 -	VS1-7177-003	105 - 24	VS1-8412-011	103 - 30
NPN	530 -	VS1-7177-003	106 - 24	VS1-8412-011	104 - 14
NPN	600 -	VS1-7177-003	108 - 9	VS1-8412-011	109 - 10
NPN	620 -	VS1-7177-003	110 - 3	VS1-8412-013	105 - 22
NPN	621 -	VS1-7177-003	316 - 10	VS1-8412-013	626 - 27
NPN	626 -	VS1-7177-003	332 - 51	VS1-8412-013	B15 - 13
NPN	810 -	VS1-7177-003	352 - 43	VS1-8412-015	105 - 26
NPN	900 -	VS1-7177-003	600 - 37	VS1-8412-015	107 - 10
NPN	910 -	VS1-7177-003	900 - 16	VS1-8412-017	104 - 17
NPN	960 -	VS1-7177-003	911 - 7	VS1-8412-017	106 - 25
NPN	962 -	VS1-7177-003	A13 - 15	VS1-8412-017	107 - 11
NPN	A01 -	VS1-7177-003	B14 - 1	VS1-8412-017	110 - 5
NPN	A10 -	VS1-7177-003	B15 - 2	VS1-8412-017	600 - 7
NPN	A11 -	VS1-7177-003	B16 - 28	VS1-8412-017	B30 - 33
NPN	B01 -	VS1-7177-003	D11 - 20	VS1-8412-019	104 - 6
NPN	B11 -	VS1-7177-003	D11A - 20	VS1-8412-019	107 - 12
NPN	B12 -	VS1-7177-003	D12 - 9	VS1-8412-019	108 - 22
NPN	B13 -	VS1-7177-004	103 - 28	VS1-8412-021	110 - 6
NPN	B14 -	VS1-7177-004	105 - 25	VS1-8412-023	107 - 14
NPN	B15 -	VS1-7177-004	110 - 4	VS1-8412-025	103 - 31
NPN	B17 -	VS1-7177-004	316 - 11	VS1-8412-025	107 - 13
NPN	B18 -	VS1-7177-004	352 - 44	VS1-8412-027	B15 - 14
NPN	B20 -	VS1-7177-004	530 - 55	VS1-8412-029	107 - 15
NPN	B30 -	VS1-7177-004	815 - 13	VS1-8412-029	108 - 23

# NUMERICAL INDEX

## imageRUNNER ADVANCE C5051/5045/5035/5030 Series(Numerical Index)

PARTS NUMBER	FIGURE & KEY NO.	PARTS NUMBER	FIGURE & KEY NO.	PARTS NUMBER	FIGURE & KEY NO
VS1-8412-031	104 - 4	XA9-0732-000	106 - 5	XA9-1959-000	910 - 5
WE8-5183-000	108 - 19	XA9-0732-000	107 - 5	XA9-1959-000	920 - 4
WE8-5600-000	130 - 32	XA9-0732-000	108 - 5	XD1-1104-115	530 - 501
WE8-5601-000	109 - 19	XA9-0732-000	109 - 5	XD1-1104-135	103 - 501
WE8-5601-000	D11 - 21	XA9-0732-000	110 - 2	XD1-1106-215	530 - 502
WE8-5601-000	D11A - 21	XA9-0732-000	322 - 5	XD1-1106-219	813 - 501
WE8-5731-000	130 - 29	XA9-0732-000	600 - 20	XD1-1106-226	102 - 501
WE8-6139-000	B15 - 15	XA9-0732-000	815 - 2	XD1-1108-213	810 - 501
WE8-6152-000	140 - 9	XA9-0732-000	A10 - 20	XD1-1108-225	530 - 503
WG8-5696-000	A13 - 8	XA9-0732-000	A21 - 10	XD1-1108-239	B41 - 501
WG8-5696-000	A21 - 9	XA9-1016-000	300 - 35	XD1-1208-225	530 - 507
WG8-5696-000	A41 - 41	XA9-1016-000	301 - 35	XD1-2100-407	530 - 504
WG8-5783-000	270 - 2	XA9-1031-000	B11 - 29	XD1-4200-402	140 - 501
WG8-5783-000	332 - 25	XA9-1031-000	B12 - 2	XD1-4200-502	140 - 502
WG8-5783-000	620 - 1	XA9-1031-000	B13 - 34	XD3-2200-102	102 - 502
WG8-5783-000	621 - 1	XA9-1031-000	B14 - 2	XD3-2200-102	105 - 501
WG8-5783-000	626 - 7	XA9-1031-000	B16 - 12	XD3-2200-102	530 - 505
WG8-5783-000	810 - 31	XA9-1031-000	B30 - 35	XD3-2200-102	A12 - 501
WG8-5783-000	811 - 6	XA9-1031-000	B31 - 9	XD3-2200-102	B30 - 501
WG8-5783-000	815 - 1	XA9-1038-000	107 - 3	XD3-2200-122	310 - 501
WG8-5783-000	B13 - 33	XA9-1038-000	980 - 8	XD3-2200-122	311 - 501
WG8-5783-000	B16 - 29	XA9-1038-000	981 - 2	XD3-2200-122	322 - 501
WG8-5783-000	B17 - 9	XA9-1164-000	A41 - 48	XD3-2200-122	351 - 501
WG8-5783-000	B20 - 6	XA9-1386-000	101 - 6	XD3-2200-122	352 - 501
WG8-5783-000	B30 - 34	XA9-1386-000	105 - 17	XD3-2200-122	626 - 501
WG8-5783-000	B32 - 1	XA9-1386-000	108 - 12	XD3-2200-122	810 - 502
WG8-5783-000	D11 - 22	XA9-1386-000	316 - 8	XD3-2200-122	A11 - 501
WG8-5783-000	D11A - 22	XA9-1386-000	351 - 4	XD3-2200-122	A41 - 501
WG8-5848-000	102 - 61	XA9-1386-000	352 - 24	XD3-2200-122	B14 - 501
WG8-5848-000	103 - 24	XA9-1386-000	353 - 18	XD3-2200-122	B16 - 501
WG8-5848-000	105 - 29	XA9-1386-000	600 - 21	XD3-2200-122	B30 - 502
WG8-5848-000	109 - 11	XA9-1386-000	623 - 3	XD3-2200-122	B31 - 501
WG8-5848-000	316 - 9	XA9-1386-000	624 - 3	XD3-2200-122	B42 - 501
WG8-5848-000	331 - 30	XA9-1386-000	627 - 6	XD3-2200-122	B43 - 501
WG8-5848-000	351 - 24	XA9-1386-000	628 - 6	XD3-2200-162	104 - 501
WG8-5848-000	352 - 23	XA9-1386-000	813 - 8	XD3-2200-162	331 - 501
WG8-5848-000	353 - 17	XA9-1386-000	815 - 3	XD3-2200-162	350 - 501
WG8-5848-000	530 - 56	XA9-1386-000	D10 - 7	XD3-2200-162	530 - 506
WG8-5848-000	620 - 6	XA9-1386-000	D11 - 7	XD9-0134-000	103 - 27
WG8-5848-000	621 - 6	XA9-1386-000	D11A - 7	XD9-0134-000	105 - 18
XA9-0271-000	D01 - 9	XA9-1386-000	D12 - 2	XD9-0134-000	130 - 30
XA9-0271-000	D10 - 16	XA9-1510-000	810 - 30	XD9-0134-000	332 - 26
XA9-0476-000	530 - 57	XA9-1510-000	812 - 18	XD9-0134-000	351 - 25
XA9-0640-000	B19 - 11	XA9-1523-000	300 - 36	XD9-0134-000	530 - 59
XA9-0656-000	310 - 51	XA9-1523-000	301 - 36	XD9-0134-000	600 - 22
XA9-0656-000	311 - 51	XA9-1523-000	332 - 47	XD9-0134-000	810 - 20
XA9-0702-000	A41 - 47	XA9-1659-000	321 - 3	XD9-0134-000	811 - 7
XA9-0732-000	100 - 58	XA9-1659-000	352 - 25	XD9-0134-000	812 - 19
XA9-0732-000	102 - 52	XA9-1659-000	353 - 19	XD9-0135-000	102 - 53
XA9-0732-000	103 - 5	XA9-1932-000	530 - 58	XD9-0136-000	105 - 16
XA9-0732-000	104 - 5	XA9-1939-000	B11 - 28	XD9-0136-000	109 - 9
XA9-0732-000	105 - 5	XA9-1957-000	103 - 6	XD9-0136-000	310 - 52

# NUMERICAL INDEX

## imageRUNNER ADVANCE C5051/5045/5035/5030 Series(Numerical Index)

PARTS NUMBER	FIGURE & KEY NO.	PARTS NUMBER	FIGURE & KEY NO.	PARTS NUMBER	FIGURE & KEY NO
XD9-0136-000	311 - 52	XG9-0172-000	810 - 23		
XD9-0136-000	331 - 31	XG9-0242-000	812 - 21		
XD9-0136-000	350 - 9	XG9-0350-000	813 - 4		
XD9-0136-000	351 - 5	XG9-0414-000	530 - 64		
XD9-0136-000	352 - 26	XG9-0481-000	331 - 32		
XD9-0136-000	353 - 20	XG9-0497-000	B30 - 4		
XD9-0136-000	530 - 60	XG9-0502-000	104 - 8		
XD9-0136-000	810 - 21	XG9-0508-000	530 - 65		
XD9-0136-000	812 - 20	XG9-0508-000	B13 - 14		
XD9-0136-000	813 - 9	XG9-0508-000	D11 - 23		
XD9-0136-000	900 - 7	XG9-0508-000	D11A - 23		
XD9-0137-010	102 - 54	XG9-0509-000	810 - 35		
XD9-0137-010	104 - 7	XG9-0520-000	353 - 22		
XD9-0137-010	322 - 6	XG9-0520-000	530 - 66		
XD9-0137-010	332 - 27	XG9-0594-000	530 - 67		
XD9-0137-010	530 - 16	XG9-0709-000	A41 - 46		
XD9-0168-000	600 - 23	XG9-0709-000	B12 - 55		
XD9-0290-000	322 - 7	XG9-0731-000	530 - 18		
XD9-0290-000	332 - 28	XH9-0132-000	900 - 13		
XD9-0290-000	813 - 10	XZ1-1301-005	900 - 14		
XD9-0292-000	102 - 56	XZ9-0584-000	100 - 3		
XD9-0292-000	315 - 24	XZ9-0603-000	106 - 17		
XD9-0292-000	322 - 8				
XF2-1104-360	B12 - 43				
XF2-1104-440	B12 - 44				
XF2-1105-660	B12 - 45				
XF2-1105-740	351 - 26				
XF2-1105-740	815 - 4				
XF2-1105-740	B40 - 4				
XF2-1106-140	315 - 21				
XF2-1106-140	B41 - 18				
XF2-1106-260	B12 - 46				
XF2-1106-560	B12 - 47				
XF2-1106-640	B30 - 36				
XF2-1106-740	B13 - 35				
XF2-1106-940	322 - 9				
XF2-1107-240	B14 - 12				
XF2-1107-240	B20 - 7				
XF2-1107-640	351 - 28				
XF2-1107-640	B13 - 36				
XF2-1107-660	B13 - 37				
XF2-1107-940	B13 - 38				
XF2-1113-040	B13 - 39				
XF2-1123-080	B13 - 40				
XF2-1607-340	313 - 2				
XF2-1607-640	A21 - 11				
XF2-1607-640	A41 - 45				
XF2-4107-240	352 - 28				
XF2-4107-940	353 - 21				
XF2-4118-340	102 - 57				
XF9-0774-000	D11 - 8				
XF9-0774-000	D11A - 8				

# imageRUNNER ADVANCE C5051/ 5045/5035/5030 Series(Parts Catalog)

## imageRUNNER ADVANCE C5051

100V	F15-4111-000	DZH	ONE-PATH ADF + READER
120V	F15-4131-000	DZK	
230V	F15-4141-000	DZS	
230V AU	F15-4161-000	DZT	
230V EUR	F15-4191-000	DZQ	

## imageRUNNER ADVANCE C5051F

100V FAX	F15-4112-000	DZJ	ONE-PATH ADF + READER + FAX
----------	--------------	-----	--------------------------------

## imageRUNNER ADVANCE C5051i

230V EUR	F15-4192-000	DZR	PCL
----------	--------------	-----	-----

## imageRUNNER ADVANCE C5045

100V	F15-4211-000	DZU	ONE-PATH ADF + READER
120V	F15-4231-000	DZW	
230V	F15-4241-000	EBU	
230V AU	F15-4261-000	EBV	
230V EUR	F15-4291-000	DZX	

## imageRUNNER ADVANCE C5045F

100V FAX	F15-4212-000	DZV	ONE-PATH ADF + READER + FAX
----------	--------------	-----	--------------------------------

## imageRUNNER ADVANCE C5045i

<b>230V EUR</b>	<b>F15-4292-000</b>	<b>EAH</b>	<b>PCL</b>
-----------------	---------------------	------------	------------

## imageRUNNER ADVANCE C5035

<b>100V</b>	<b>F15-4311-000</b>	<b>EBW</b>	<b>REVERSE ADF+ READER</b>
<b>120V</b>	<b>F15-4331-000</b>	<b>ECV</b>	
<b>230V</b>	<b>F15-4341-000</b>	<b>EEA</b>	
<b>230V AU</b>	<b>F15-4361-000</b>	<b>EET</b>	
<b>230V EUR</b>	<b>F15-4391-000</b>	<b>EDG</b>	

## imageRUNNER ADVANCE C5035F

<b>100V FAX</b>	<b>F15-4312-000</b>	<b>EBZ</b>	<b>REVERSE ADF + READER + FAX</b>
-----------------	---------------------	------------	-----------------------------------

## imageRUNNER ADVANCE C5035i

<b>230V EUR</b>	<b>F15-4392-000</b>	<b>EDZ</b>	<b>PCL</b>
-----------------	---------------------	------------	------------

## imageRUNNER ADVANCE C5030

<b>100V</b>	<b>F15-4411-000</b>	<b>EEU</b>	<b>REVERSE ADF + READER</b>
<b>120V</b>	<b>F15-4431-000</b>	<b>EFA</b>	
<b>230V</b>	<b>F15-4441-000</b>	<b>ETG</b>	
<b>230V AU</b>	<b>F15-4461-000</b>	<b>ETM</b>	
<b>230V EUR</b>	<b>F15-4491-000</b>	<b>EFF</b>	

## imageRUNNER ADVANCE C5030F

<b>100V FAX</b>	<b>F15-4412-000</b>	<b>EEY</b>	<b>REVERSE ADF + READER + FAX</b>
-----------------	---------------------	------------	-----------------------------------



imageRUNNER ADVANCE C5030i

230V EUR

F15-4492-000 ETF

PCL



# Contents

A1	ASSEMBLY LOCATION DIAGRAM .....	2-1
A2	OPTION PARTS CATALOG LIST .....	2-9
001	ACCESSOREIS .....	2-10
100	EXTERNAL COVERS, PANELS, ETC. ....	2-11
101	FRONT COVER ASSEMBLY .....	2-16
102	RIGHT OUTER DOOR ASSEMBLY .....	2-18
103	MACHINE FRONT PLATE .....	2-23
104	INTERNAL COMPONENTS 1 .....	2-26
105	INTERNAL COMPONENTS 2 .....	2-28
106	INTERNAL COMPONENTS 3 .....	2-30
107	INTERNAL COMPONENTS 4 .....	2-32
108	MACHINE REAR PLATE 1 .....	2-34
109	MACHINE REAR PLATE 2 .....	2-36
110	MACHINE REAR PLATE 3 .....	2-38
130	CONTROL PANEL ASS'Y .....	2-40
140	POWER CORD TERMINAL ASS'Y .....	2-44
251	DRUM DEVELOPING DRIVE ASSEMBLY .....	2-46
270	SHUTTER DRIVE MOUNT ASSEMBLY .....	2-47
300	CASSETTE ASSEMBLY, 1 .....	2-48
301	CASSETTE ASSEMBLY, 2 .....	2-51
310	PAPER PICK-UP ASSEMBLY, 1 .....	2-55
311	PAPER PICK-UP ASSEMBLY, 2 .....	2-58
313	PAPER PICK-UP DRIVE ASSEMBLY .....	2-61
315	MULTI FEEDER DRIVE ASSEMBLY .....	2-62
316	PRE-REGISTRATION GUIDE ASS'Y .....	2-64
321	PATT. READ SHUTTER DRIVE ASS'Y .....	2-65
322	DUPLEXING REG. DRIVE ASSEMBLY .....	2-66
323	SENSOR UNIT,REGISTRATION PATCH .....	2-68
330	RIGHT LOWER DOOR ASSEMBLY .....	2-70
331	RIGHT INNER DOOR ASSEMBLY .....	2-72
332	M.P. PICK UP MOUNT ASSEMBLY .....	2-75
333	RIGHT LOWER INNER DOOR ASS'Y .....	2-78
350	FIRST PAPER DELIVERY ASSEMBLY .....	2-79
351	2ND/3RD PAPER DELIVERY ASS'Y .....	2-81
352	THIRD PAPER DELIVERY ASSEMBLY .....	2-84
353	SECOND PAPER DELIVERY ASSEMBLY .....	2-87
460	LASER ASSEMBLY .....	2-89
530	INTER. TRANSFER BELT ASS'Y .....	2-90
531	TRANSFER CLEANER ASSEMBLY .....	2-97
600	PROCESS-KIT FRAME ASSEMBLY .....	2-98
620	SET ON HOPPER BK ASSEMBLY .....	2-102
621	SET ON HOPPER CL ASSEMBLY .....	2-103
623	SET ON DRIVE ASSEMBLY, BLACK .....	2-104
624	SET ON DRIVE ASSEMBLY, CL .....	2-105
626	BOTTLE FRONT INNER DOOR ASS'Y .....	2-106

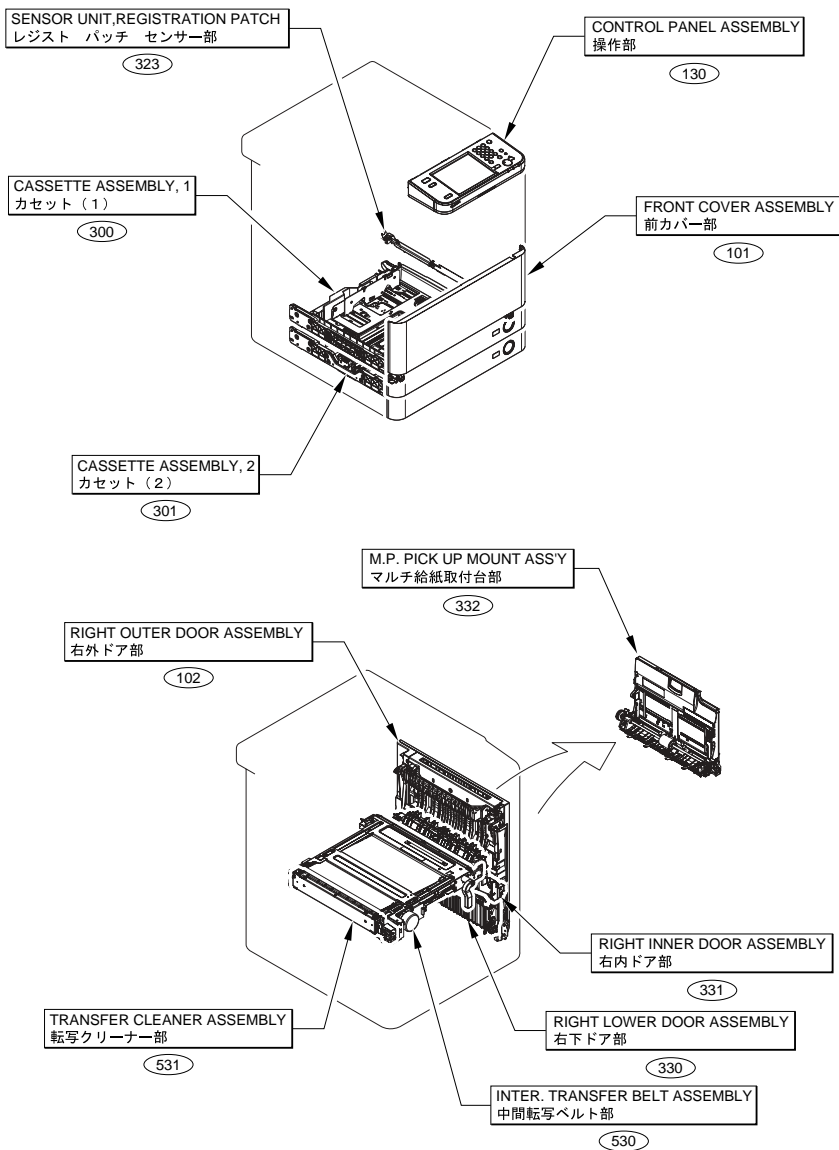
627	BOTTLE BASE ASSEMBLY, BLACK .....	2-108
628	BOTTLE BASE ASSEMBLY, CL .....	2-110
640	DEVELOPING ASSEMBLY, Y .....	2-112
770	WASTE TONER CASE ASSEMBLY .....	2-113
810	FIXING ASSEMBLY .....	2-114
811	SHUTTER ASSEMBLY .....	2-118
812	GUIDE, FIXING DELIVERY, LOWER .....	2-120
813	FIXING DRIVE ASSEMBLY .....	2-122
815	FIXING DELIVERY DRIVE ASSEMBLY .....	2-124
900	CONTROLLER BOX ASSEMBLY .....	2-126
910	MAIN CONTROLLER PCB ASS'Y, 1 .....	2-128
911	POWER SUPPLY ASSEMBLY .....	2-129
920	MAIN CONTROLLER PCB ASS'Y, 2 .....	2-130
960	DRUM DRIVER PCB ASSEMBLY .....	2-131
961	CASSETTE FEED PCB ASSEMBLY .....	2-132
962	PAPER FEED DRIVER PCB ASSEMBLY .....	2-133
963	AC DRIVER PCB ASSEMBLY .....	2-134
980	IMAGING 1ST TRNS.H.V.ASS'Y, BK .....	2-136
981	2ND TRNSFR. HIGH VOLTAGE ASS'Y .....	2-138
A01	ATTACHMENT PARTS (REVERSE ADF) .....	2-139
A10	INTERNAL COMPONENTS (REVERSE ADF) .....	2-140
A11	BASE ASSEMBLY (REVERSE ADF) .....	2-142
A12	PAPER PICK-UP COVER ASSEMBLY (REVERSE ADF) .....	2-144
A13	DOCUMENT TRAY ASSEMBLY (REVERSE ADF) .....	2-146
A21	DRIVE ASSEMBLY (REVERSE ADF) .....	2-148
A41	FEEDER ASSEMBLY (REVERSE ADF) .....	2-150
A90	ADF CONTROLLER PCB ASSEMBLY (REVERSE ADF) .....	2-155
B01	ATTACHMENT PARTS (ONE-PATH ADF) .....	2-156
B11	INTERNAL COMPONENTS 1 (ONE-PATH ADF) .....	2-157
B12	INTERNAL COMPONENTS 2 (ONE-PATH ADF) .....	2-160
B13	INTERNAL COMPONENTS 3 (ONE-PATH ADF) .....	2-163
B14	INTERNAL COMPONENTS 4 (ONE-PATH ADF) .....	2-166
B15	INTERNAL COMPONENTS 5 (ONE-PATH ADF) .....	2-168
B16	DOCUMENT TRAY ASSEMBLY (ONE-PATH ADF) .....	2-170
B17	OPEN/CLOSE PANEL ASSEMBLY (ONE-PATH ADF) .....	2-172
B18	BASE FRAME ASSEMBLY (ONE-PATH ADF) .....	2-174
B19	WHITE PLATE ASSEMBLY (ONE-PATH ADF) .....	2-176
B20	ESTRANGEMENT DRIVE ASSEMBLY (ONE-PATH ADF) .....	2-177
B30	PAPER PICK-UP ASSEMBLY (ONE-PATH ADF) .....	2-178
B31	PAPER DELIVERY ASSEMBLY (ONE-PATH ADF) .....	2-181
B32	OPEN/CLOSE GUIDE ASSEMBLY (ONE-PATH ADF) .....	2-183
B40	PLATEN ROLLER ASSEMBLY, 1 (ONE-PATH ADF) .....	2-184
B41	PLATEN ROLLER ASSEMBLY, 2 (ONE-PATH ADF) .....	2-186
B42	PAPER FEED GUIDE ASSEMBLY, 1 (ONE-PATH ADF) .....	2-188
B43	PAPER FEED GUIDE ASSEMBLY, 2 (ONE-PATH ADF) .....	2-189

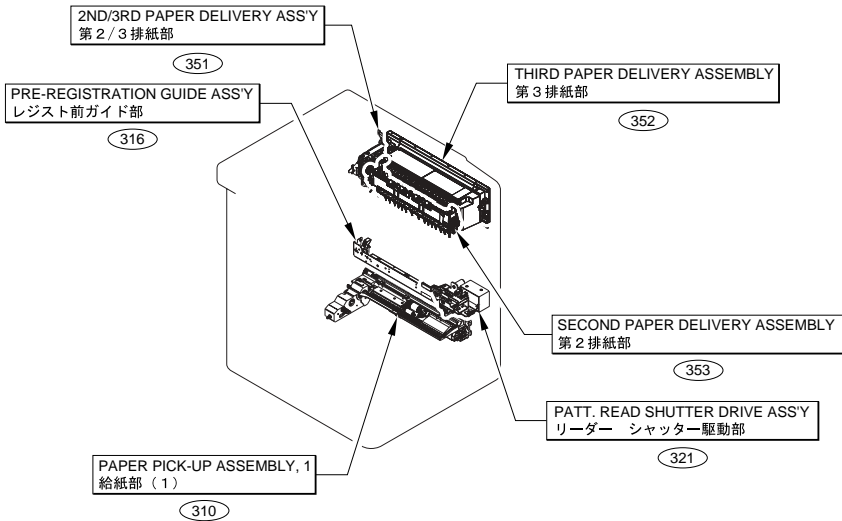
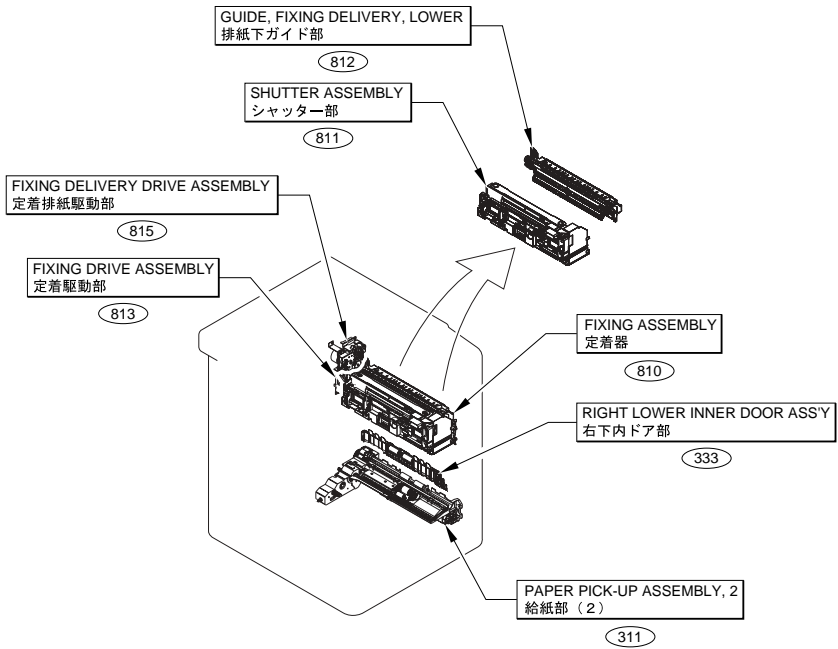
# Contents

B90	DADF DRIVER PCB ASSEMBLY (ONE-PATH ADF).....	2-191
D01	ATTACHMENT PARTS (READER) .....	2-192
D10	EXTERNAL COVERS, PANELS, ETC. (READER) .....	2-193
D11	INTERNAL COMPONENTS 1 (iR ADVANCE 5051,5045 SERIES)(READER).....	2-195
D11A	INTERNAL COMPONENTS 1 (iR ADVANCE 5035,5030 SERIES)(READER).....	2-197
D12	INTERNAL COMPONENTS 2 (READER) .....	2-199
D90	READER CONTROLLER PCB ASS'Y(iR ADVANCE 5051,5045 SERIES)(READER) 2-201	
D91	READER CONTROLLER PCB ASS'Y(iR ADVANCE 5035,5030 SERIES)(READER) 2-202	
T20	G3 FAX ASSEMBLY, 1 LINE (FAX) .....	2-203
T21	SPEAKER ASSEMBLY (FAX) .....	2-204
ZZA	MECHANICAL STANDARD PARTS (HOW TO USE) .....	2-205
ZZB	MECHANICAL STANDARD PARTS (SCREWS).....	2-206
ZZC	MECHANICAL STANDARD PARTS (BOLTS).....	2-213
ZZD	MECHANICAL STANDARD PARTS (NUTS).....	2-214
ZZE	MECHANICAL STANDARD PARTS (RETAINING RINGS) .....	2-215

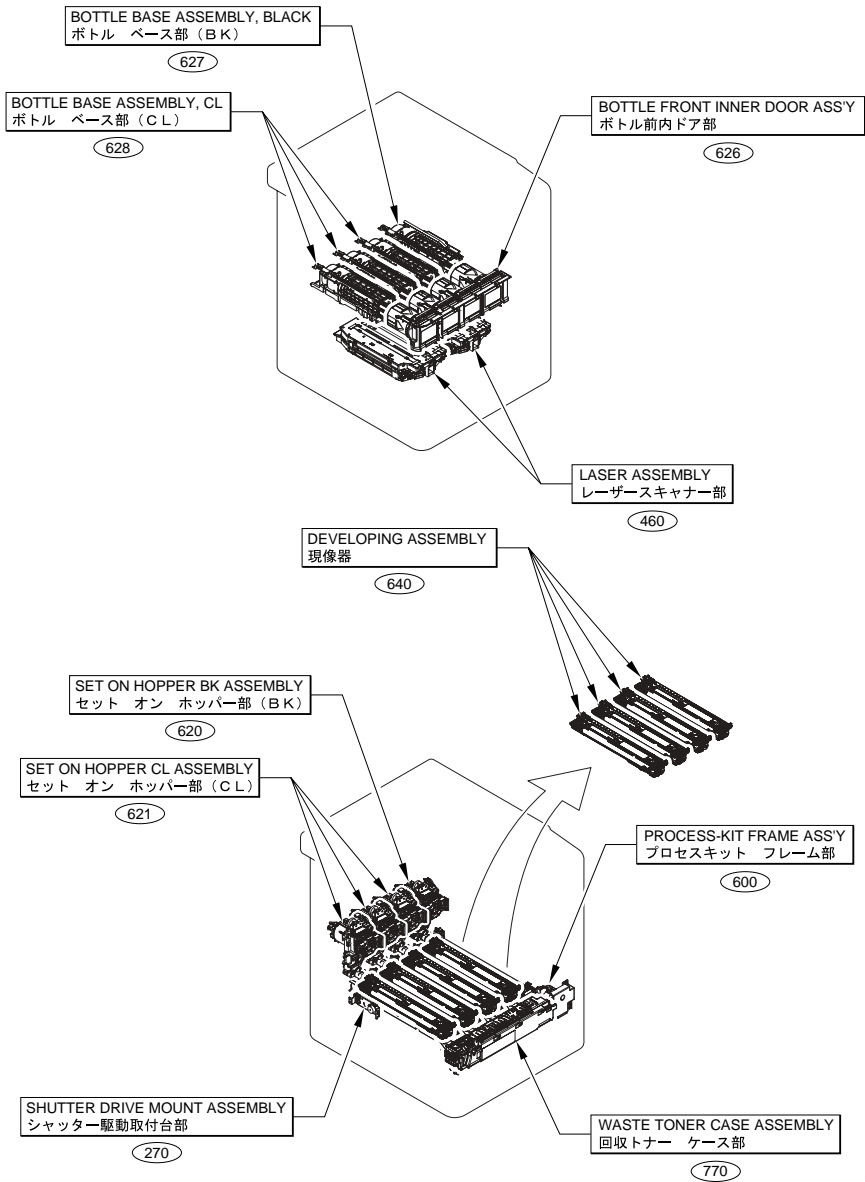


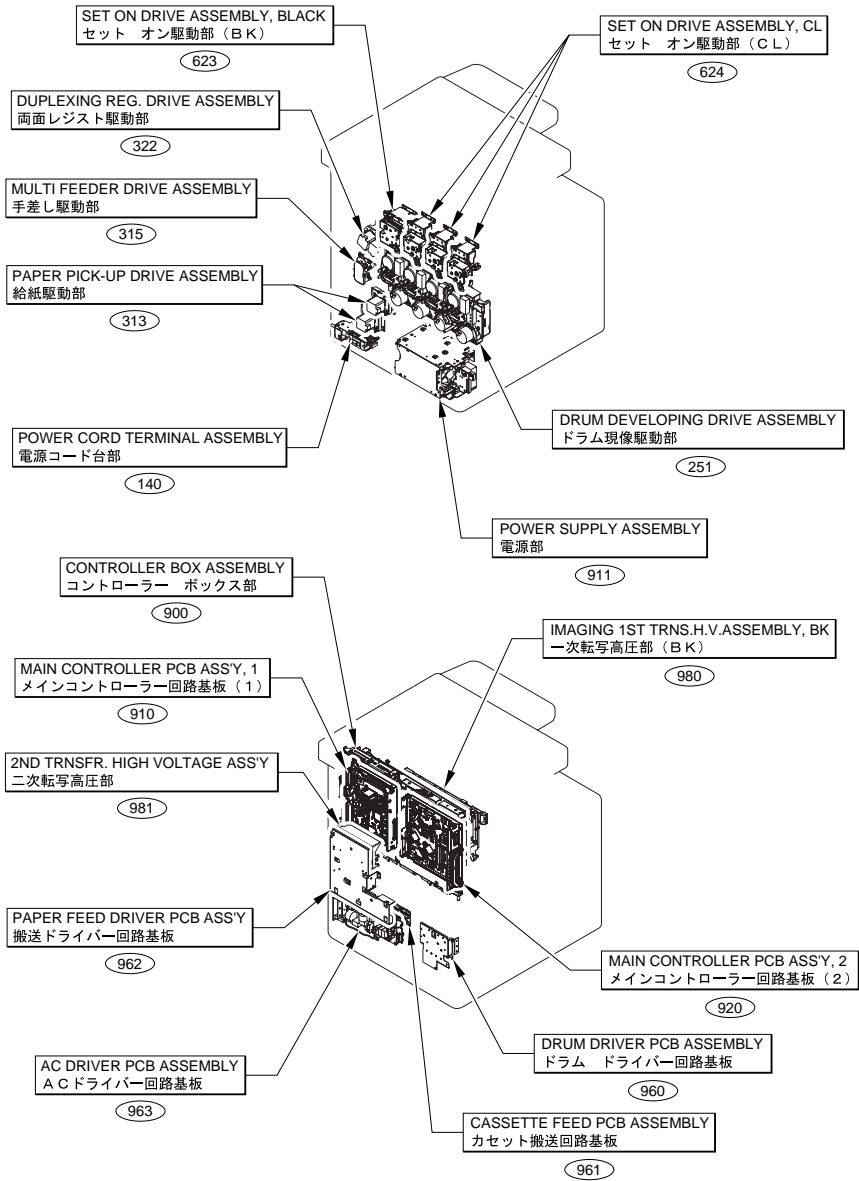
# FIGURE A1 ASSEMBLY LOCATION DIAGRAM



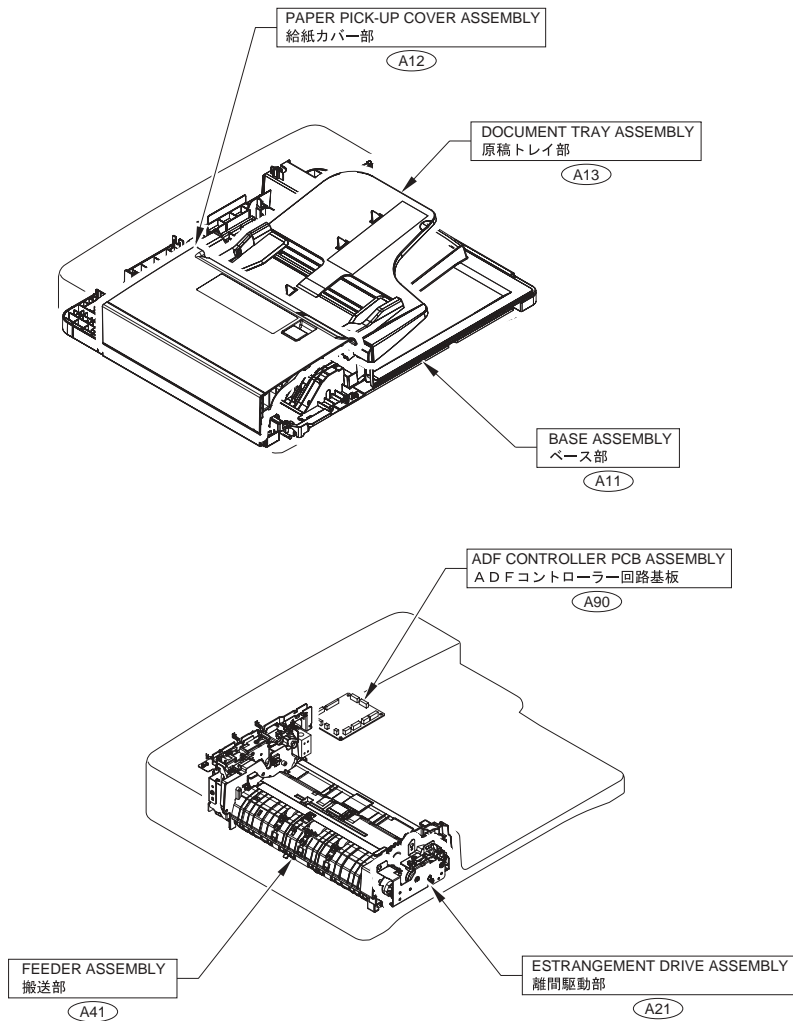




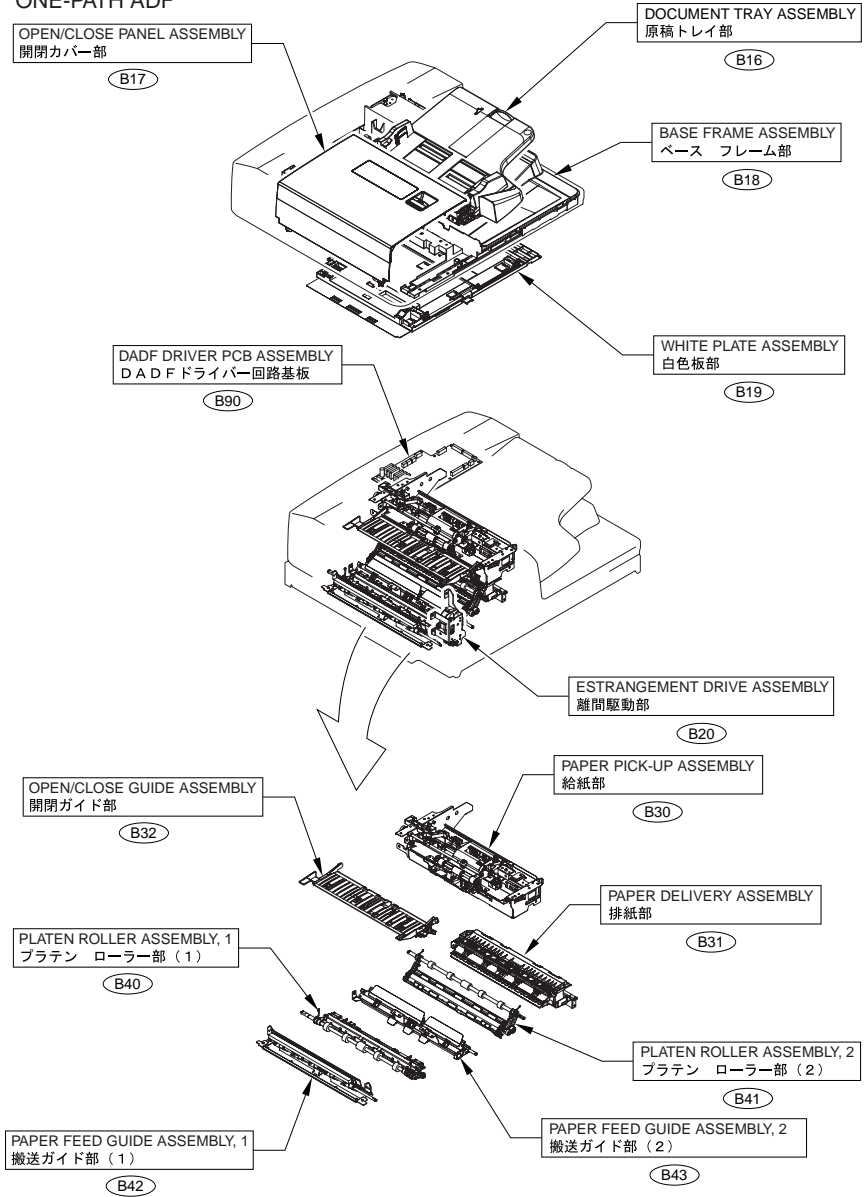




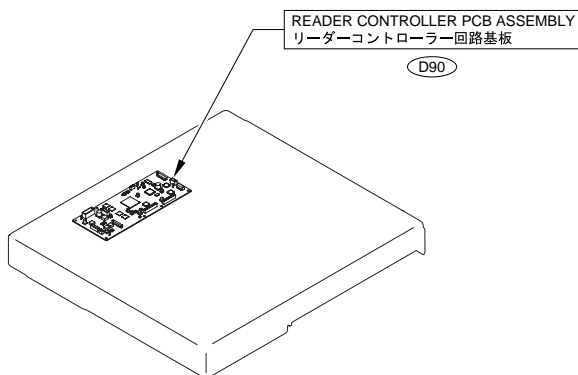
## REVERSE ADF



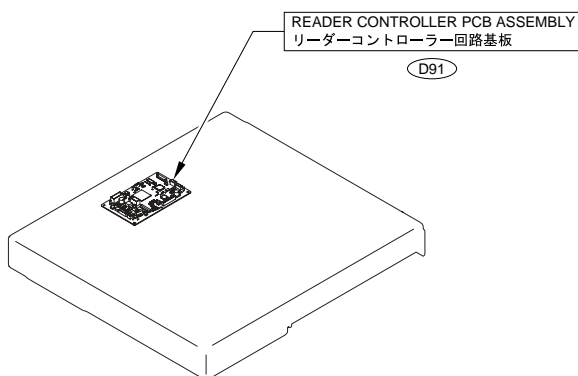
# ONE-PATH ADF



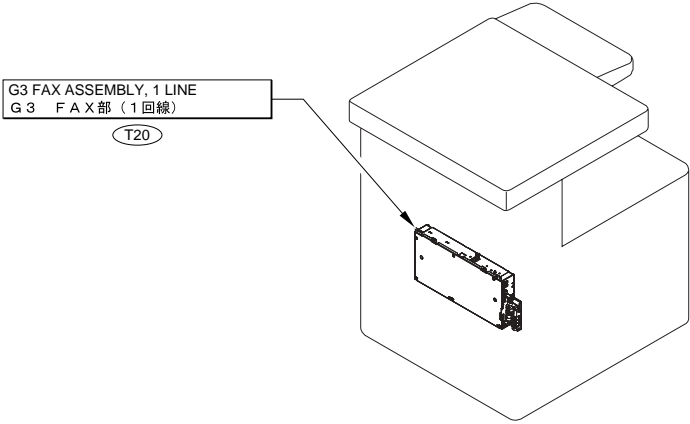
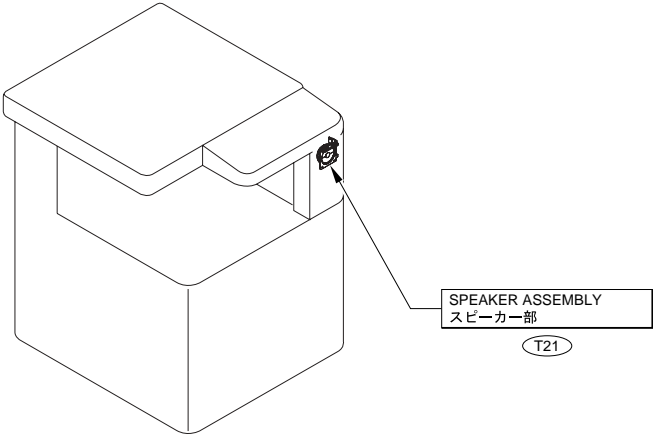
iR ADVANCE 5051/5045 SERIES



iR ADVANCE 5035/5030 SERIES



FAX MODEL



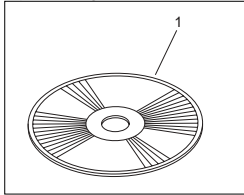
# FIGURE A2 OPTION PARTS CATALOG LIST

This is the table of the machine's options whose parts catalog is issued.  
本機オプションで、パーツカタログが発行されている機種の一覧である。

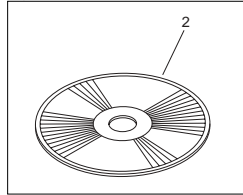
No.	Model Name(English)	Model Name(Japanese)
1	Duplex Color Image Reader Unit-B1/ Color Image Reader Unit-B1/B2	Duplex Color Image Reader Unit-B1/ Color Image Reader Unit-B1/B2
2	PLATEN COVER TYPE N	原稿台カバー タイプN
3	ADF Access Handle-A1	ADFアクセスハンドル・A1
4	Printer Cover-C1	プリンタカバー・C1
5	Paper Deck Unit-B1	ペーパーデッキユニット・B1
6	Cassette Feeding Unit-AD1	2段カセットベディスタル・AD1
7	Tab Feeding Attachment Kit-B1	タブフィーディングアタッチメントキット-B1
8	Envelope Feeder Attachment-D1	封筒カセットアタッチメント・D1
9	Copy Tray-J1	コピートレイ・J1
10	Staple/Booklet Finisher-C1	ステイプル/中綴じフィニッシャー・C1
11	Inner Finisher-A1	インナーフィニッシャー・A1
12	Inner Finisher Additional Tray-A1	インナーフィニッシャー用追加トレイ・A1
13	External 2 Hole, 2/3 Hole, 2/4 Hole, Puncher-B1	外付け2穴パンチャー・B1
14	Inner 2Way Tray-F1	インナー2ウェイトレイ・F1
15	Buffer Pass Unit-G1	バッファパスユニット・G1
16	Reader Heater Unit-G1	リーダーヒーターキット・G1
17	Cassette Heater Unit-37	カセットヒーターユニット37
18	CST Heater Unit-31/32	カセットヒーターユニット31/32
19	Utility Tray-A1	ユーティリティトレイ・A1
20	Key Switch Unit-A1/A2	管理キーユニット・A1/A2
21	CARD READER-C1 D1 Rev.00-00	カードリーダー-C1 D1 Rev.00-00
22	Copy Card Reader Attachment-B1	コピーカードリーダー取付けキット・B1
23	SUPER G3 FAX BD-AE1	スーパーG3FAXボード・AE1
24	Super G3 2nd Line Fax Board-AE1	G3回線増設キット(2回線)・AE1
25	Super G3 3rd/4th Line Fax Board-AE1	G3回線増設キット(3・4回線)・AE1
26	G4 FAX BOARD-G1	G4 FAXボード・G1
27	HAND SET-G2	ハンドセット・G2
28	imagePASS-B1	imagePASS-B1
29	ColorPASS-GX300	ColorPASS-GX300
30	Voice Guidance Kit-F1	音声ガイダンスキット・F1
31	Voice Operation Kit-C1	音声操作キット・C1
32	HDD ENC&MIR KIT-C1/ HDD MIRROR KIT-D1	HDDデータ暗号化ミラーリングキット・C1/ ミラーリングキット・D1
33	USB DEVICE PORT-B1	USBデバイスポート・B1
34	Wireless LAN Board-B1	無線LANボード・B1
35	2.5inch 80GB-C1/250GB-D1 HDD	オプションHDD 2.5inch 80GB・C1/ 250GB・D1
36	Removable HDD Kit-AC1	リムーバブルHDDキット・AC1
37	Expansion Bus-F1	PCIバス拡張キット・F1
38	IPSec Board-B2	IPSecセキュリティボード・B2
39	Image Data Analyzer Board-A1	イメージ解析ボード・A1
40	Multimedia Reader/Writer-A1	マルチメディアリーダ/ライタ・A1
41	Serial Interface Kit-K1	シリアルインターフェースキット・K1
42	Copy Control Interface Kit-A1	コントロールインターフェースキット・A1

# FIGURE 001 ACCESSOREIS

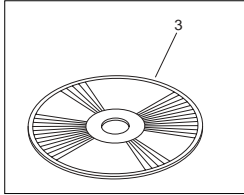
Japanese,English



Japanese FAX MODEL



Japanese,English,French,Italian,  
German,Spanish



100V

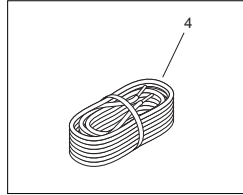
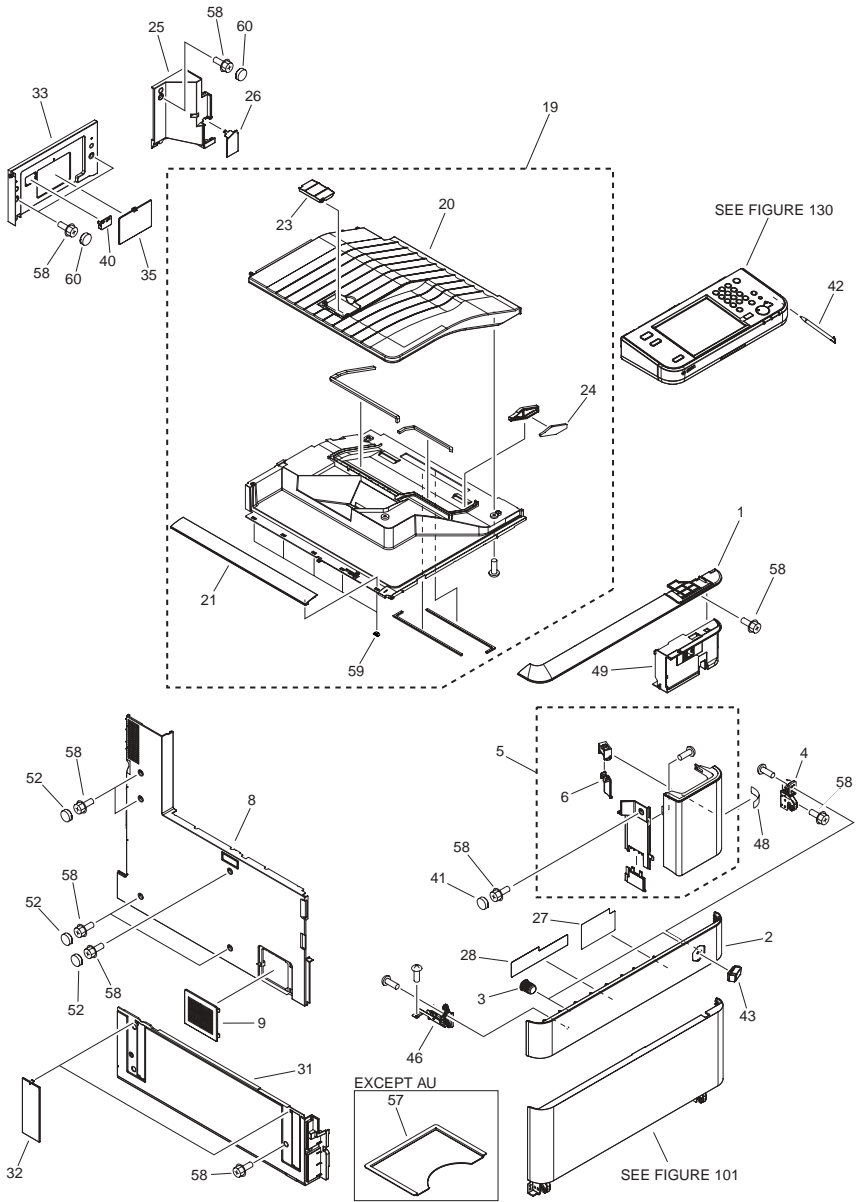


FIGURE & KEY NO.	PARTS NUMBER	RANK	QTY	DESCRIPTION	SERIAL NUMBER/REMARKS	SVC
Fig.001	NPN		RF	ACCESSORIES		
1	FK3-0045-000		1	CD-ROM, SOFTWARE FOR LIPS LX	Japanese	
1	FK3-0050-000		1	CD-ROM, SOFTWARE FOR UFR II	US English,UK English	
2	FK3-0046-000		1	CD-ROM,SOFTWARE FOR FAX DRIVER	Japanese FAX MODEL	
3	FK3-0047-000		1	CD-ROM, SOFTWARE FOR MEAP	Japanese	
3	FK3-0048-000		1	CD-ROM, SOFTWARE FOR MEAP	US English,UK English	
3	FK3-0049-000		1	CD-ROM, SOFTWARE FOR MEAP	UK English,French,Italian,German,Spanish	
4	FK2-7367-000		1	CABLE, GROUNDING	100V	



# FIGURE 100 EXTERNAL COVERS, PANELS, ETC.



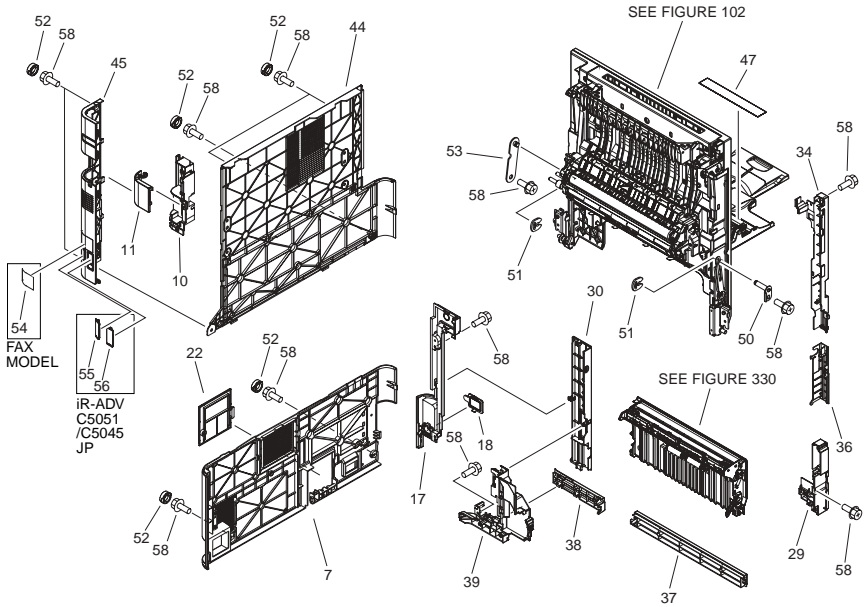
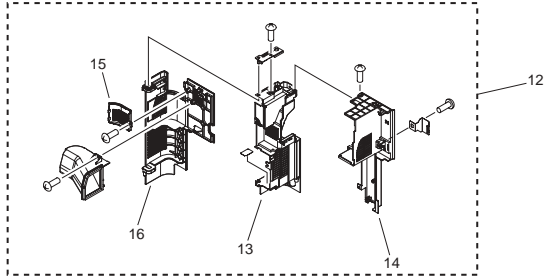
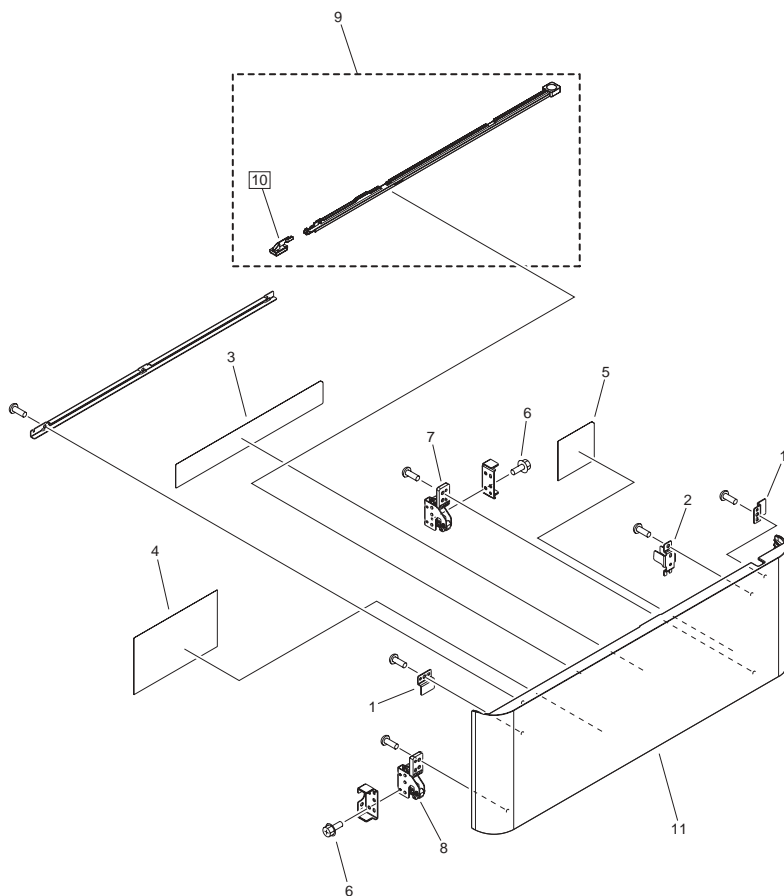


FIGURE & KEY NO.	PARTS NUMBER	R A N K	Q'TY	DESCRIPTION	SERIAL NUMBER/ REMARKS	S V C
Fig.100	NPN		RF	EXTERNAL COVERS, PANELS, ETC.		
1	FM3-6096-000		1	FRONT UPPER COVER ASSEMBLY		
2	FC8-4111-000		1	COVER, TONER		
3	XZ9-0584-000		2	CATCH, MAGNET		
4	FM3-6098-000		1	HINGE MOUNT PLATE ASS'Y, R.U.		
5	FM3-6104-000		1	RIGHT FRONT UP. COVER ASSEMBLY		
6	FC8-4000-000		1	COVER, MAIN SWITCH		
7	FM3-6105-000		1	REAR LOWER COVER ASSEMBLY		
8	FC8-4139-000		1	COVER, LEFT UPPER		
9	FC8-4140-000		1	COVER, DUCT, LEFT		
10	FC8-4141-000		1	COVER, LEFT REAR		
11	FC8-4142-000		1	COVER, SUB, LEFT REAR		
12	FM3-8927-000		1	RIGHT REAR UP. COVER ASSEMBLY		
13	FC8-4152-000		1	COVER, RIGHT UPPER REAR, 2		
14	FC8-4225-000		1	COVER, RIGHT UPPER REAR, 3		
15	FC8-5375-000		1	COVER, RIGHT UPPER REAR, SMALL		
16	FC8-5377-000		1	COVER, RIGHT UPPER REAR, 1		
17	FC8-4131-000		1	COVER, RIGHT REAR		
18	FC8-4137-000		1	COVER, ENV. HEATER SWITCH		
19	FM3-8940-000		1	INNER LOWER COVER ASSEMBLY		
20	FC8-4144-000		1	TRAY, FIRST PAPER DELIVERY		
21	FC8-4149-000		1	COVER, BELT, LEFT UPPER		
22	FC8-5200-000		1	COVER, CONNECTOR		
23	FC8-4766-000		1	STOPPER, PUSHING		
24	FC8-5086-000		1	FILTER, AIR		
25	FC8-4915-000		1	COVER, INNER DELIVERY, RT. REAR		
26	FC8-4916-000		1	COVER, INNER DELIVERY SENSOR		
27	FC8-4716-000		1	LABEL, TONER MODEL, 1	iR-ADV C5035,5030 SERIES EXCEPT US,CA,EUR	
27	FC8-4717-000		1	LABEL, TONER MODEL, 1	iR-ADV C5035,5030 SERIES US,CA	
27	FC8-4718-000		1	LABEL, TONER MODEL, 1	iR-ADV C5035,5030 SERIES EUR	

FIGURE & KEY NO.	PARTS NUMBER	R A N K	Q'TY	DESCRIPTION	SERIAL NUMBER/ REMARKS	S V C
27	FC8-4720-000		1	LABEL, TONER MODEL, 2	iR-ADV C5051,5045 SERIES EXCEPT US,CA,EUR	
27	FC8-4721-000		1	LABEL, TONER MODEL, 2	iR-ADV C5051,5045 SERIES US,CA	
27	FC8-4722-000		1	LABEL, TONER MODEL, 2	iR-ADV C5051,5045 SERIES EUR	
28	FC8-4723-000		1	LABEL, TONER EXCHANGE	EXCEPT US,CA,EUR	
28	FC8-4724-000		1	LABEL, TONER EXCHANGE	US,CA	
28	FC8-4725-000		1	LABEL, TONER EXCHANGE	EUR	
29	FC8-4134-000		1	COVER, RIGHT, FRONT		
30	FC8-4135-000		1	COVER, HANDLE, RIGHT REAR		
31	FC8-4138-000		1	COVER, LEFT LOWER		
32	FC8-4143-000		2	COVER, HANDLE, LEFT		
33	FC8-4145-000		1	COVER, INNER,DELV. REAR		
34	FC8-4153-000		1	COVER, RIGHT FRONT, UPPER		
35	FC8-4917-000		1	COVER, BIAS PCB		
36	FC8-4921-000		1	COVER, RIGHT FRONT HANDLE, MD.		
37	FC8-4922-000		1	COVER, LOWER RIGHT		
38	FC8-5298-000		1	COVER, RIGHT REAR, LOWER		
39	FC8-5335-000		1	COVER,PICK-UP RIGHT REAR,LOWER		
40	FC8-5363-000		1	PLATE, 2ND DELIV. TRAY SUPPORT		
41	FC9-7145-000		1	COVER, SCREW		
42	FL3-0626-000		1	PEN, TOUCH PANEL		
43	FL3-1185-000		1	EMBLEM		
44	FL3-3166-000		1	COVER, REAR UPPER		
45	FL3-3167-000		1	COVER, REAR UPPER, LEFT		
46	FM3-6099-000		1	TONER COVER HINGE MOUNT ASSY		
47	FC9-7160-000		1	LABEL, FEED SIZE	A/B SIZE	
47	FC9-7161-000		1	LABEL, FEED SIZE	A/INCH SIZE	
47	FC9-7162-000		1	LABEL, FEED SIZE	A SIZE	
47	FC9-7163-000		1	LABEL, FEED SIZE	A/B/INCH SIZE	
48	FC9-7861-000		1	LABEL, MAIN POWER SUPPLY	Japanese	
48	FC9-7862-000		1	LABEL, MAIN POWER SUPPLY	English	

FIGURE & KEY NO.	PARTS NUMBER	R A N K	Q'TY	DESCRIPTION	SERIAL NUMBER/ REMARKS	S V C
48	FC9-7863-000		1	LABEL, MAIN POWER SUPPLY	EXCEPT Japanese,English	
49	FC8-4688-000		1	COVER, BOTTLE INNER, RIGHT		
50	FL3-1123-000		1	SUPPORT, STOPPER SHAFT		
51	FC6-3002-000		2	RING, RESIN, RETAINING		
52	FC9-0311-000		12	CAP, RUBBER		
53	FL2-9530-000		1	STOPPER, RIGHT DOOR, 2		
54	FC8-5221-000		1	LABEL, MODULAR, 1 LINE	FAX MODEL	
55	FC9-7941-000		1	COVER, FAX MODULAR, 1 LINE	iR-ADV C5051,5045 SERIES JP	
56	FC9-7940-000		1	COVER, FAX MODULAR, 2 LINE	iR-ADV C5051,5045 SERIES JP	
57	FC5-1146-000		1	HOLDER, SERVICE BOOK	EXCEPT AU	
58	XA9-0732-000		AR	SCREW,RS,M4		
59	FC0-0188-000		5	PLATE, TRAY BLANKING		
60	FB6-3771-000		3	COVER, RUBBER		

# FIGURE 101 FRONT COVER ASSEMBLY

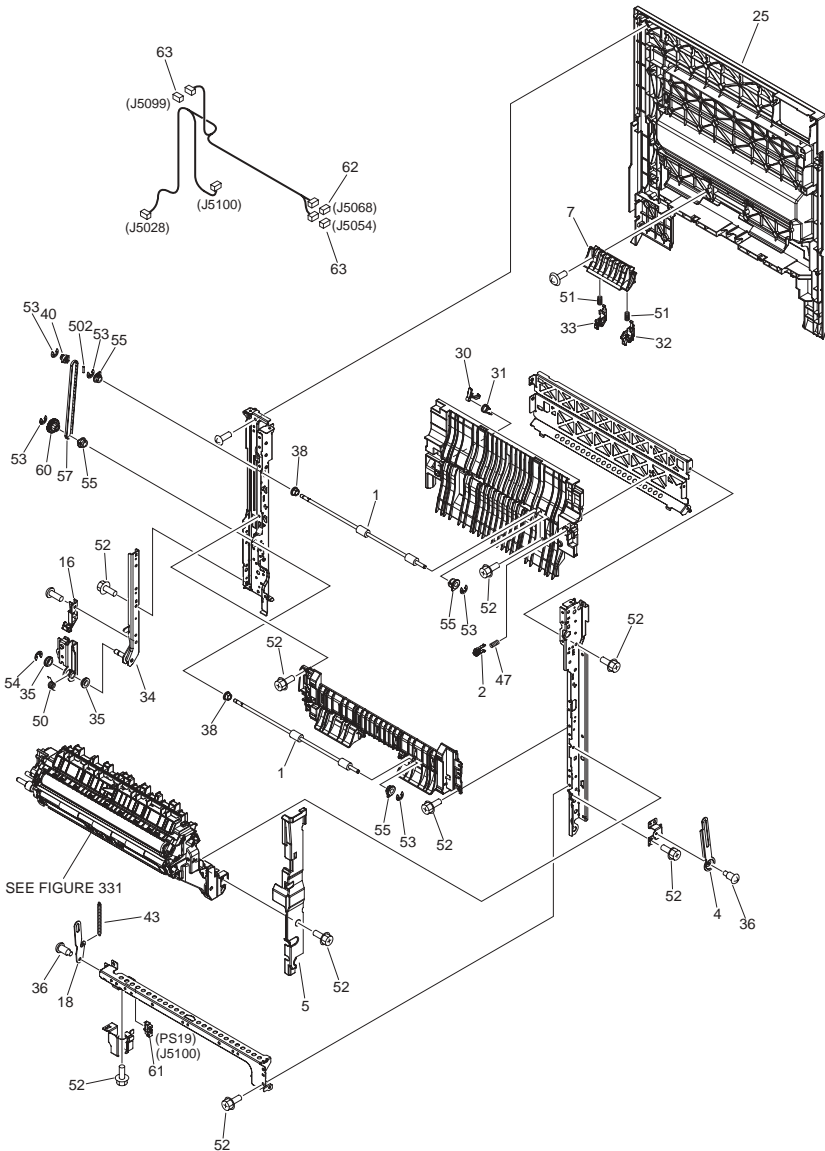


NOTE :This assembly does not include the parts shown with key No.9 and 10.

注:このユニットにKey No.9, 10の部品は含まれません。

FIGURE & KEY NO.	PARTS NUMBER	R A N K	Q'TY	DESCRIPTION	SERIAL NUMBER/ REMARKS	S V C
Fig.101	FM3-6100-000		1	FRONT COVER ASSEMBLY		
1	FC8-4124-000		2	PLATE, MAGNET CATCH		
2	FC8-4155-000		1	PLATE,F DOOR OPEN/CLOSE DETECT		
3	FC9-7152-000		1	LABEL, CLN ROD OPERATION		
4	FL3-3573-000		1	LABEL, SERVICE		
5	FU6-8646-000		1	LABEL, LASER CAUTION		
6	XA9-1386-000		4	SCREW,RS,M3X8		
7	FM3-6064-000		1	HINGE ASSEMBLY, 2		
8	FM3-8934-000		1	HINGE ASSEMBLY		
9	FM3-5968-000		1	GLASS CLEANING ROD ASSEMBLY	SEE NOTE	
10	FL2-9476-000		1	PAD, GLASS CLEANING	SEE NOTE[DP]	
11	FC8-4123-000		1	COVER, FRONT		

# FIGURE 102 RIGHT OUTER DOOR ASSEMBLY



NOTE :This assembly includes the assemblies shown in Figure 331 and 332.

注:このユニットはFigure 331, 332のユニットを含みます。



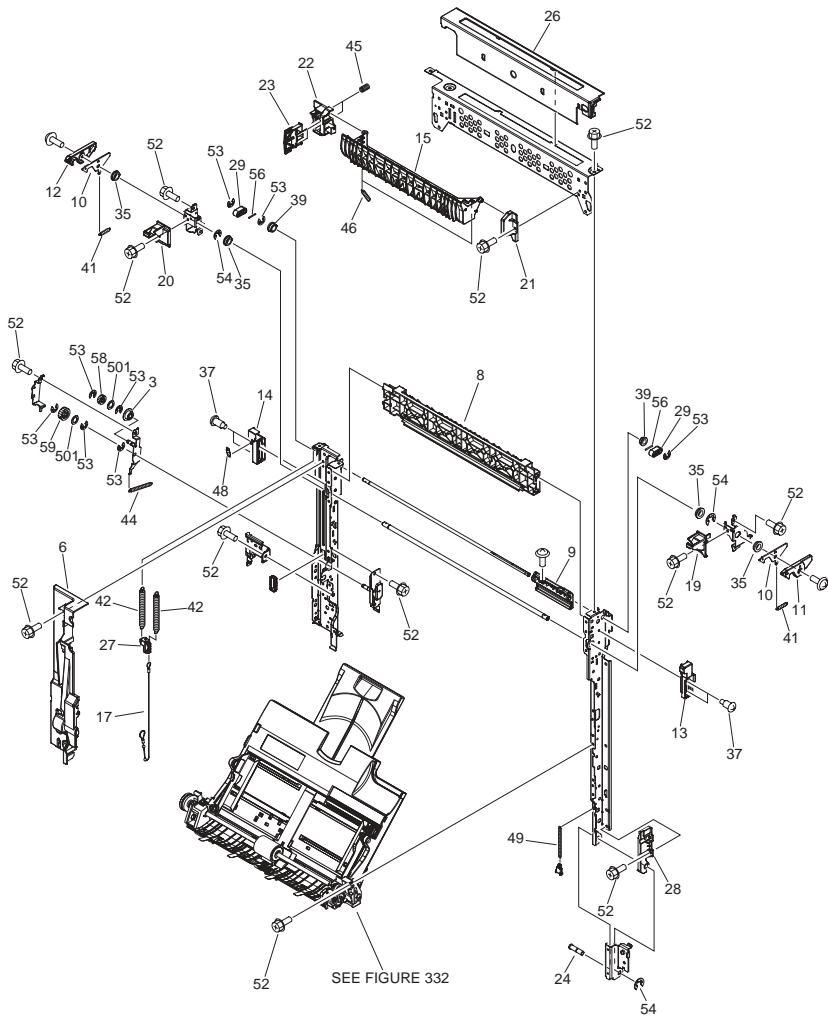


FIGURE & KEY NO.	PARTS NUMBER	R A N K	Q'TY	DESCRIPTION	SERIAL NUMBER/ REMARKS	S V C
Fig.102	FM3-6006-000		1	RIGHT OUTER DOOR ASSEMBLY	SEE NOTE	
1	FC6-4019-000		2	ROLLER, DUPLEXING FEEDER		
2	FC7-2341-000		1	BLOCK, PRESSURE		
3	FC9-7949-000		1	ROLLER, TENSION		
4	FC8-4820-000		1	STOPPER, RIGHT DOOR, F		
5	FC8-4829-000		1	COVER, RIGHT DOOR INNER, F		
6	FC8-4830-000		1	COVER, RIGHT DOOR INNER		
7	FC8-4833-000		1	GUIDE, DESORPTION		
8	FC8-4834-000		1	GUIDE, DUPLEXING INNER		
9	FC8-4835-000		1	HANDLE, DOOR, RIGHT		
10	FC8-4836-000		2	PLATE, HOOK		
11	FC8-4837-000		1	HOOK, F		
12	FC8-4838-000		1	HOOK, R		
13	FC8-4839-000		1	ARM, SLIDE, F		
14	FC8-4840-000		1	ARM, SLIDE, R		
15	FC8-4843-000		1	GUIDE, FIRST DELIVERY OPPOSED		
16	FC8-4844-000		1	GUIDE, HINGE R REINFORCEMENT		
17	FC8-4846-000		1	WIRE, DAMPER		
18	FC8-4852-000		1	STOPPER, RIGHT DOOR, 1		
19	FC8-4854-000		1	LEVER, TOGGLE, F		
20	FC8-4855-000		1	LEVER, TOGGLE, R		
21	FC8-4857-000		1	FOOT, GUIDE SUPPORTING, F		
22	FC8-4858-000		1	FOOT, GUIDE SUPPORTING, R		
23	FC8-4864-000		1	BLOCK, FIXING DOOR PRESSURE		
24	FC8-4867-000		1	SHAFT		
25	FC8-4875-000		1	COVER, DOOR, RIGHT		
26	FC8-4904-000		1	COVER, DOOR TOP PLATE, RIGHT		
27	FC8-4905-000		1	HOOK, SLIDE		
28	FC8-5160-000		1	GUIDE, HINGE F REINFORCEMENT		
29	FC8-5162-000		2	LINK, HANDLE		
30	FC8-5293-000		1	STOPPER, MULTI TRAY		
31	FC8-5396-000		1	SPRING, TORSION		

FIGURE & KEY NO.	PARTS NUMBER	R A N K	Q'TY	DESCRIPTION	SERIAL NUMBER/ REMARKS	S V C
32	FC9-7142-000		1	ARM, PRESSURE, F		
33	FC9-7143-000		1	ARM, PRESSURE, R		
34	FL2-9527-000		1	FOOT, RIGHT DOOR TURN		
35	FU6-1022-000		6	BUSHING		
36	FS1-9169-000		2	SCREW, STEPPED		
37	FS2-9001-020		4	SCREW,STEPPED,M4		
38	FU5-1033-000		2	BUSHING		
39	FU5-1457-000		2	BUSHING		
40	FU5-3016-000		1	PULLEY, 24T		
41	FU7-2478-000		2	SPRING, TENSION		
42	FU7-2479-000		2	SPRING, TENSION		
43	FU7-2480-000		1	SPRING, TENSION		
44	FU7-2487-000		1	SPRING, TENSION		
45	FU7-2488-000		2	SPRING, COMPRESSION		
46	FU7-2489-000		2	SPRING, TENSION		
47	FU7-2502-000		1	SPRING, COMPRESSION		
48	FU7-2520-000		1	SPRING, TENSION		
49	FU7-2527-000		1	SPRING, TENSION		
50	FU7-2528-000		1	SPRING, TORSION		
51	FU8-2295-000		2	SPRING, COMPRESSION		
52	XA9-0732-000		58	SCREW,RS,M4		
53	XD9-0135-000		12	RING, E		
54	XD9-0137-010		4	RING, E		
55	FU6-1020-000		4	BUSHING		
56	XD9-0292-000		2	PIN, DOWEL		
57	XF2-4118-340		1	BELT, TIMING		
58	FU8-0202-000		1	GEAR, 15T		
59	FU8-0203-000		1	GEAR, 22T		
60	FU8-0204-000		1	PULLEY/GEAR, 24T/26T		
61	WG8-5848-000		1	PHOTO-INTERRUPTER,GP1A173LCS0F	PS19	
62	VS1-8412-003		1	CONNECTOR, SNAP TIGHT, BK		
63	VS1-8412-009		2	CONNECTOR, SNAP TIGHT, BL		

FIGURE & KEY NO.	PARTS NUMBER	R A N K	Q'TY	DESCRIPTION	SERIAL NUMBER/ REMARKS	S V C
501	XD1-1106-226		2	WASHER		
502	XD3-2200-102		1	PIN, DOWEL		

# FIGURE 103 MACHINE FRONT PLATE

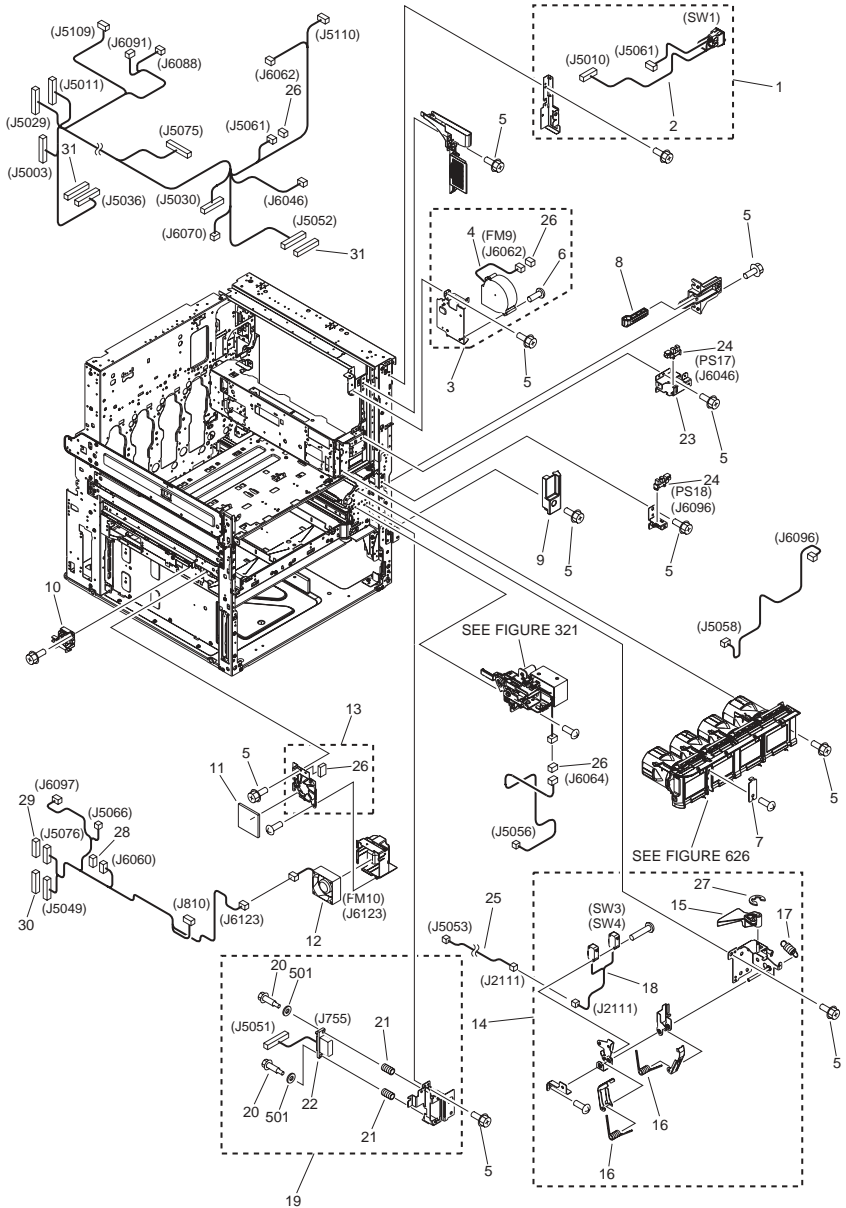


FIGURE & KEY NO.	PARTS NUMBER	RANK	Q'TY	DESCRIPTION	SERIAL NUMBER/REMARKS	SVC
Fig.103	NPN		RF	MACHINE FRONT PLATE		
1	FM3-6044-000		1	MAIN SWITCH ASSEMBLY		
2	FM3-7799-000		1	CABLE, MAIN SWITCH	SW1	
3	FM3-8897-000		1	DELIVERY COOLING FAN ASSEMBLY		
4	FK2-7291-000		1	FAN	FM9	
5	XA9-0732-000		AR	SCREW,RS,M4		
6	XA9-1957-000		2	SCREW, MACH.,TRUSS HEAD, M4X36		
7	FC6-1844-000		1	PLATE, MAGNET, B		
8	FC8-4202-000		1	LINK, MOVABLE		
9	FC8-4204-000		1	COVER, INTERLOCK		
10	FM3-6049-000		1	SENSOR UNIT, ENVIRONMENT		
11	FC6-4023-000		1	FILTER, AIR		
12	FK2-3679-000		1	FAN	FM10	
13	FM3-8896-000		1	FILTER HOLDER ASSEMBLY		
14	FM3-6070-000		1	INTERLOCK SWITCH ASSEMBLY		
15	FC8-4196-000		1	LEVER, DOOR LINK, RIGHT		
16	FC8-4219-000		2	SPRING, TORSION		
17	FU7-2504-000		1	SPRING, TENSION		
18	FM3-7808-000		1	CABLE, DC INTERLOCK	SW3,SW4	
19	FM3-6095-000		1	DRAWER ASSEMBLY		
20	FS5-9282-020		2	SCREW, STEPPED		
21	FU7-2466-000		2	SPRING, COMPRESSION		
22	FM3-7862-000		1	CABLE, PAPER FEED DRAWER, PIT		
23	FM3-8928-000		1	COVER STOP MOUNT ASS'Y,RT. UP.		
24	WG8-5848-000		2	PHOTO-INTERRUPTER,GP1A173LCS0F	PS17,PS18	
25	FM3-7807-000		1	CABLE, DC INTERLOCK CONNECTING		
26	VS1-7177-003		4	CONNECTOR, SNAP TIGHT, BK		
27	XD9-0134-000		1	RING,E		
28	VS1-7177-004		1	CONNECTOR, SNAP TIGHT, BK		
29	VS1-8412-007		1	CONNECTOR, SNAP TIGHT, BL		
30	VS1-8412-011		1	CONNECTOR, SNAP TIGHT, BL		
31	VS1-8412-025		2	CONNECTOR, SNAP TIGHT, BL		

FIGURE & KEY NO.	PARTS NUMBER	R A N K	Q'TY	DESCRIPTION	SERIAL NUMBER/ REMARKS	S V C
501	XD1-1104-135		2	WASHER,COP		

# FIGURE 104 INTERNAL COMPONENTS 1

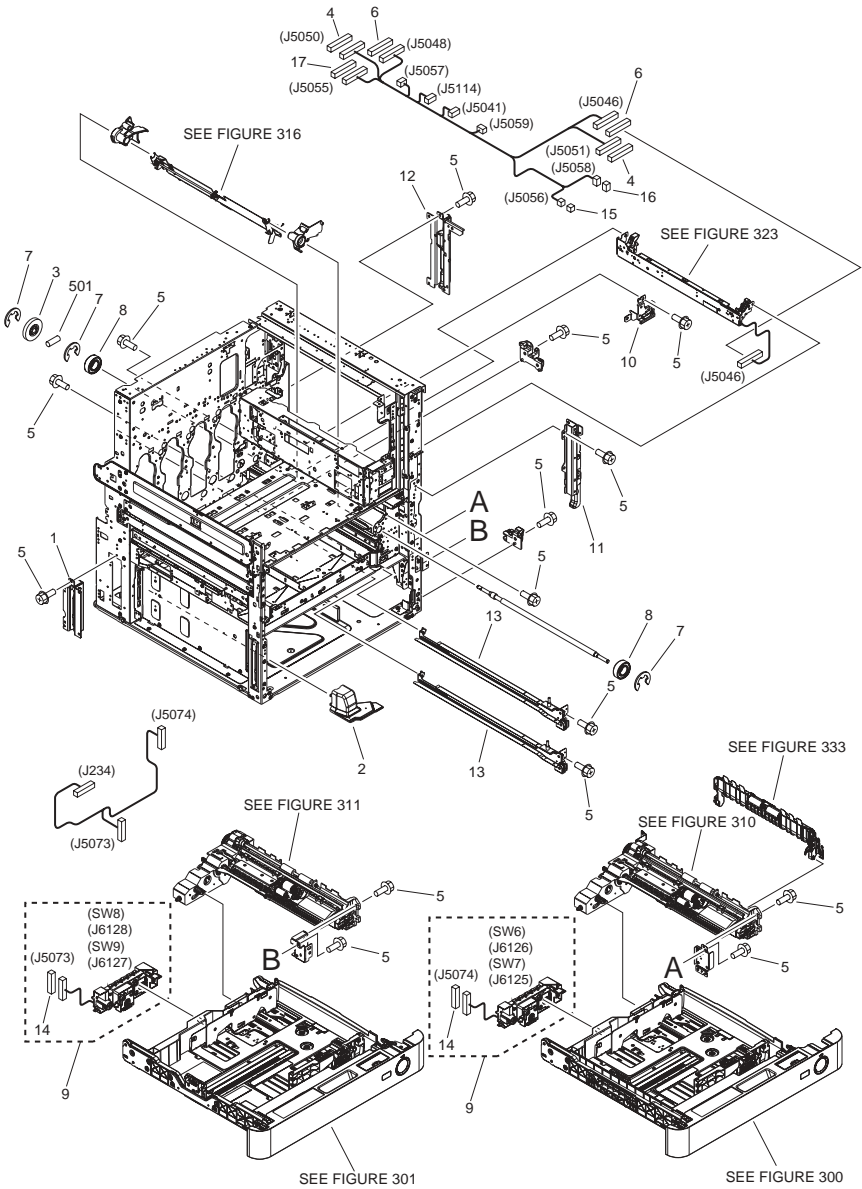




FIGURE & KEY NO.	PARTS NUMBER	R A N K	Q'TY	DESCRIPTION	SERIAL NUMBER/ REMARKS	S V C
Fig.104	NPN		RF	INTERNAL COMPONENTS 1		
1	FM3-6078-000		1	HANDLE CROSSMEMBER ASS'Y, L, R		
2	FC9-0104-000		1	COVER, HEATER CONNECTOR		
3	FS5-0662-000		1	GEAR, 36T		
4	VS1-8412-031		2	CONNECTOR		
5	XA9-0732-000		AR	SCREW,RS,M4		
6	VS1-8412-019		2	CONNECTOR, SNAP TIGHT, BL		
7	XD9-0137-010		3	RING, E		
8	XG9-0502-000		2	BEARING, BALL, P0, 16MM, NSK		
9	FM3-5933-000		2	AUTO SIZE DETECT ASSEMBLY		
10	FM3-8917-000		1	DRAWING LINK ASS'Y, REAR		
11	FM3-6079-000		1	HANDLE CROSSMEMBER ASS'Y, R, F		
12	FM3-6080-000		1	HANDLE CROSSMEMBER ASS'Y, R, R		
13	FM3-6120-000		2	CASSETTE RAIL ASSEMBLY, RIGHT		
14	VS1-8412-011		2	CONNECTOR, SNAP TIGHT, BL		
15	VS1-7177-002		1	CONNECTOR, SNAP TIGHT, BK		
16	VS1-7177-003		1	CONNECTOR, SNAP TIGHT, BK		
17	VS1-8412-017		1	CONNECTOR, SNAP TIGHT, BL		
501	XD3-2200-162		1	PIN, DOWEL		

# FIGURE 105 INTERNAL COMPONENTS 2

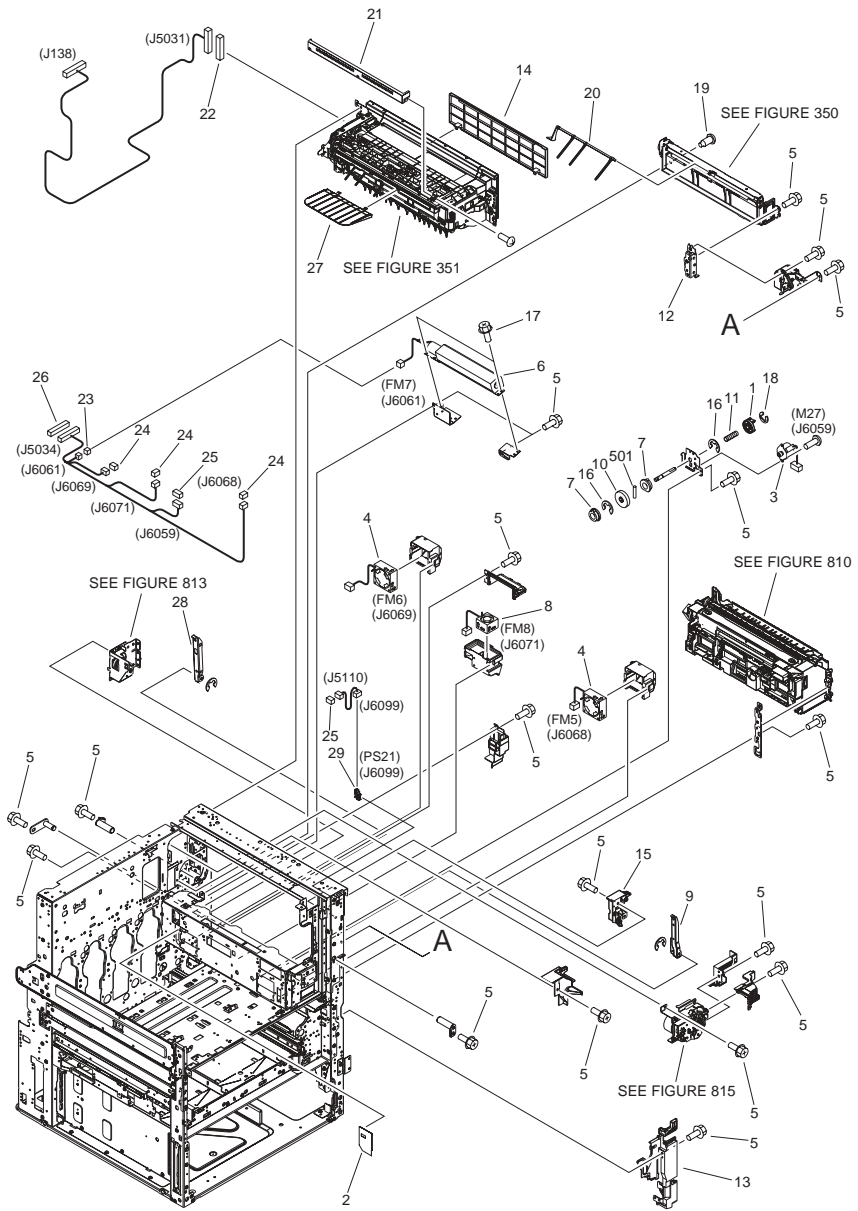


FIGURE & KEY NO.	PARTS NUMBER	R A N K	Q'TY	DESCRIPTION	SERIAL NUMBER/ REMARKS	S V C
Fig.105	NPN		RF	INTERNAL COMPONENTS 2		
1	FC6-9556-000		1	COUPLING, FAN SHUTTER		
2	FC8-5089-000		1	SHEET, BOTTLE SHIELD, BLACK		
3	FK2-2069-000		1	MOTOR, STEPPING, DC	M27	
4	FK2-3679-000		2	FAN	FM5,FM6	
5	XA9-0732-000		AR	SCREW,RS,M4		
6	FK2-7362-000		1	FAN	FM7	
7	FS1-1508-000		2	BUSHING		
8	FK2-7290-000		1	FAN	FM8	
9	FM3-6108-000		1	FIXING RAIL FRONT ASSEMBLY		
10	FU7-0318-000		1	GEAR, 50T		
11	FU7-2530-000		1	SPRING, COMPRESSION		
12	FC8-4801-000		1	PLATE, JOINT		
13	FC8-4920-000		1	COVER, INNER, RIGHT FRONT		
14	FL3-1186-000		1	COVER, THIRD DELIVERY BLANKING		
15	FM3-6009-000		1	PAPER DELIVERY DOOR HOOK ASS'Y		
16	XD9-0136-000		2	RING,E		
17	XA9-1386-000		3	SCREW,RS,M3X8		
18	XD9-0134-000		1	RING,E		
19	FS5-9162-020		1	SCREW, STEPPED		
20	FC8-4802-000		1	LEVER, FULL DETECT		
21	FC8-4936-000		1	COVER, PROTECTIVE		
22	VS1-8412-013		1	CONNECTOR, SNAP TIGHT, BL		
23	VS1-7177-002		1	CONNECTOR, SNAP TIGHT, BK		
24	VS1-7177-003		3	CONNECTOR, SNAP TIGHT, BK		
25	VS1-7177-004		2	CONNECTOR, SNAP TIGHT, BK		
26	VS1-8412-015		1	CONNECTOR, SNAP TIGHT, BL		
27	FC8-4935-000		1	GUIDE, REVERSE BACK END		
28	FC8-4909-000		1	RAIL, FIXING, REAR		
29	WG8-5848-000		1	PHOTO-INTERRUPTER,GP1A173LCS0F	PS21	
501	XD3-2200-102		1	PIN, DOWEL		

# FIGURE 106 INTERNAL COMPONENTS 3

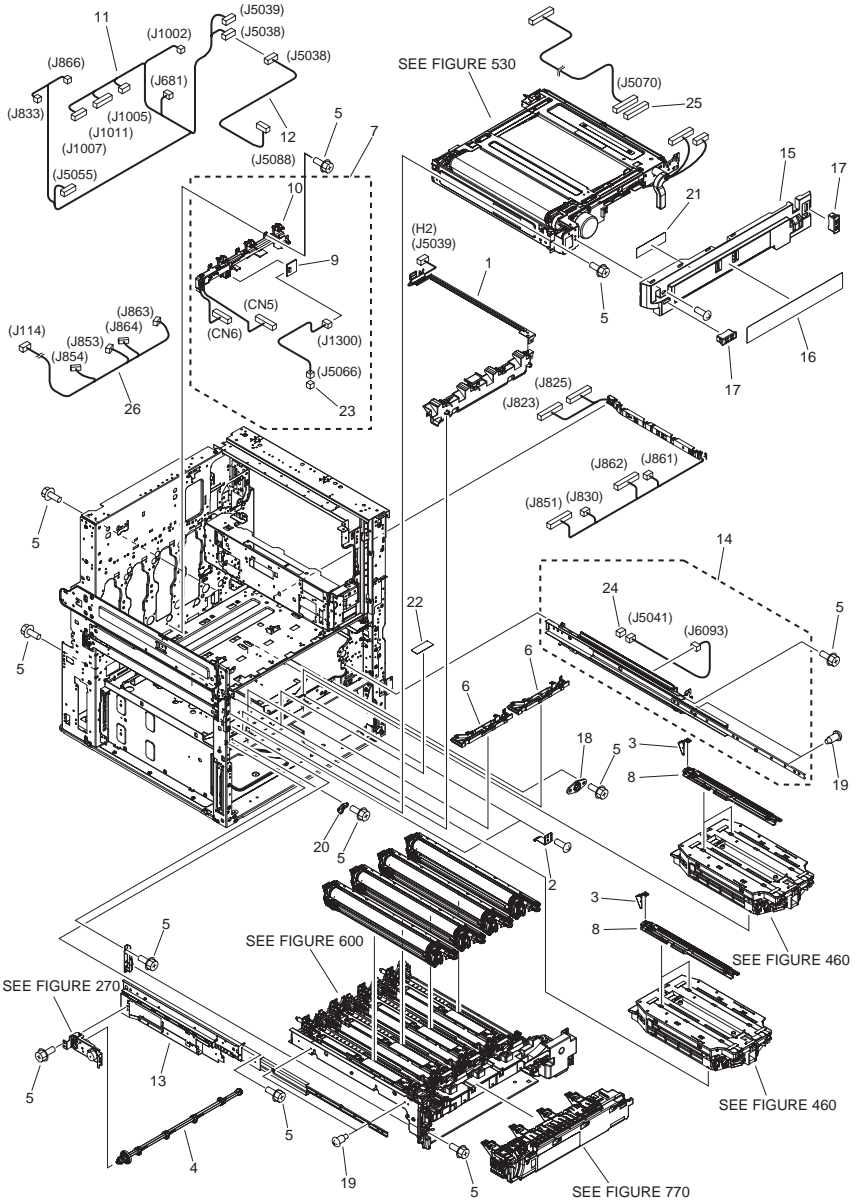


FIGURE & KEY NO.	PARTS NUMBER	RANK	Q'TY	DESCRIPTION	SERIAL NUMBER/REMARKS	SVC
Fig.106	NPN		RF	INTERNAL COMPONENTS 3		
1	FK2-7295-000		1	HEATER, DRUM	100V,120VH2	
1	FK2-7296-000		1	HEATER, DRUM	230VH2	
2	FC8-5009-000		2	SPRING, GROUNDING		
3	FC8-5013-000		4	SPRING, GROUNDING		
4	FM3-5927-000		1	SHUTTER CAM SHAFT ASSEMBLY		
5	XA9-0732-000		AR	SCREW,RS,M4		
6	FL3-1170-000		2	GUIDE, SCANNER CABLE, FRONT		
7	FM3-6091-000		1	IMAGING H.V.C. ASS'Y,CL		
8	FM3-5966-000		4	DUST-PROOF SHUTTER ASSEMBLY		
9	FM3-7941-000		1	MACHINE TMP. SENSOR PCB ASS'Y		
10	FM3-8932-000		1	IMAGING H.V.C. HOLDER ASS'Y,CL		
11	FM3-7794-000		1	CABLE, AC HEATER		
12	FM3-7889-000		1	CABLE, DRUM HEATER CL		
13	FM3-6086-000		1	RAIL CROSSMEMBER ASS'Y, RIGHT		
14	FM3-6087-000		1	RAIL CROSSMEMBER ASS'Y, LEFT		
15	FC8-4453-000		1	COVER, I.T.BELT, FRONT		
16	FC8-4457-000		1	LABEL, WASTE TONER EXCHANGE		
17	XZ9-0603-000		2	CATCH, MAGNET		
18	FC8-3973-000		1	BUSHING		
19	FU5-9447-000		4	SCREW, STEPPED, M4X6.3		
20	FC8-3974-000		1	BUSHING		
21	FC9-7928-000		1	LABEL, BELT SENSOR CAUTION		
22	FC0-0185-000		1	LABEL, LS MOUNTING CAUTION		
23	VS1-7177-002		1	CONNECTOR, SNAP TIGHT, BK		
24	VS1-7177-003		1	CONNECTOR, SNAP TIGHT, BK		
25	VS1-8412-017		1	CONNECTOR, SNAP TIGHT, BL		
26	FK2-7330-000		1	CABLE		

# FIGURE 107 INTERNAL COMPONENTS 4

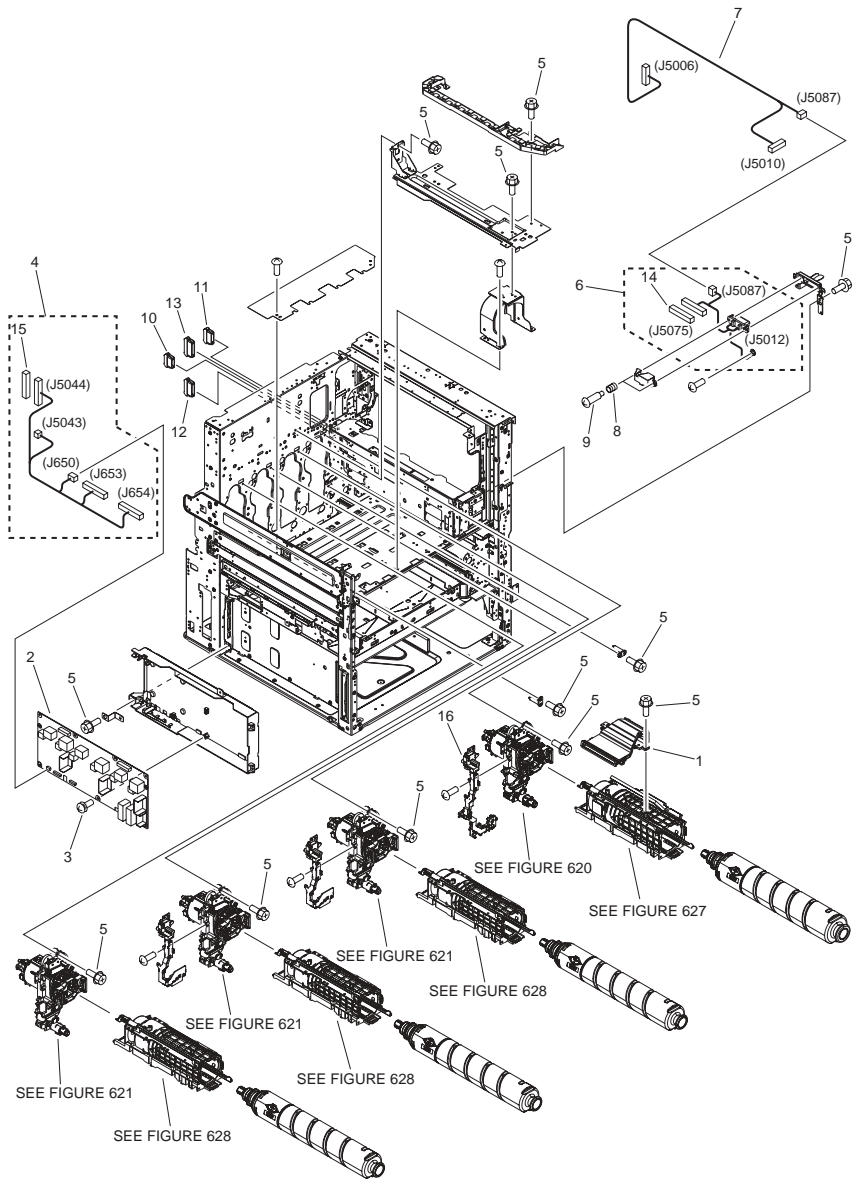


FIGURE & KEY NO.	PARTS NUMBER	R A N K	Q'TY	DESCRIPTION	SERIAL NUMBER/ REMARKS	S V C
Fig.107	NPN		RF	INTERNAL COMPONENTS 4		
1	FM3-6066-000		1	INNER EXHAUST DUCT ASSEMBLY		
2	FK2-7348-000		1	H.V. POWER SUPPLY PCB ASSEMBLY		
3	XA9-1038-000		7	SCREW,P,M4X10		
4	FM3-7815-000		1	CABLE, HIGH VOLTAGE 1		
5	XA9-0732-000		AR	SCREW,RS,M4		
6	FM3-7798-000		1	CABLE, SIDE END COOLING DRAWER		
7	FM3-7888-000		1	CABLE, FIXING AC CONNECTING		
8	FS5-2964-000		2	SPRING, COMPRESSION		
9	FS5-9758-020		2	SCREW,STEPPED,M3		
10	VS1-8412-015		1	CONNECTOR, SNAP TIGHT, BL		
11	VS1-8412-017		1	CONNECTOR, SNAP TIGHT, BL		
12	VS1-8412-019		1	CONNECTOR, SNAP TIGHT, BL		
13	VS1-8412-025		1	CONNECTOR, SNAP TIGHT, BL		
14	VS1-8412-023		1	CONNECTOR, SNAP TIGHT, BL		
15	VS1-8412-029		1	CONNECTOR, SNAP TIGHT, BL		
16	FM3-6076-000		1	IMAGING H.V.C. ASS'Y, BLACK		

# FIGURE 108 MACHINE REAR PLATE 1

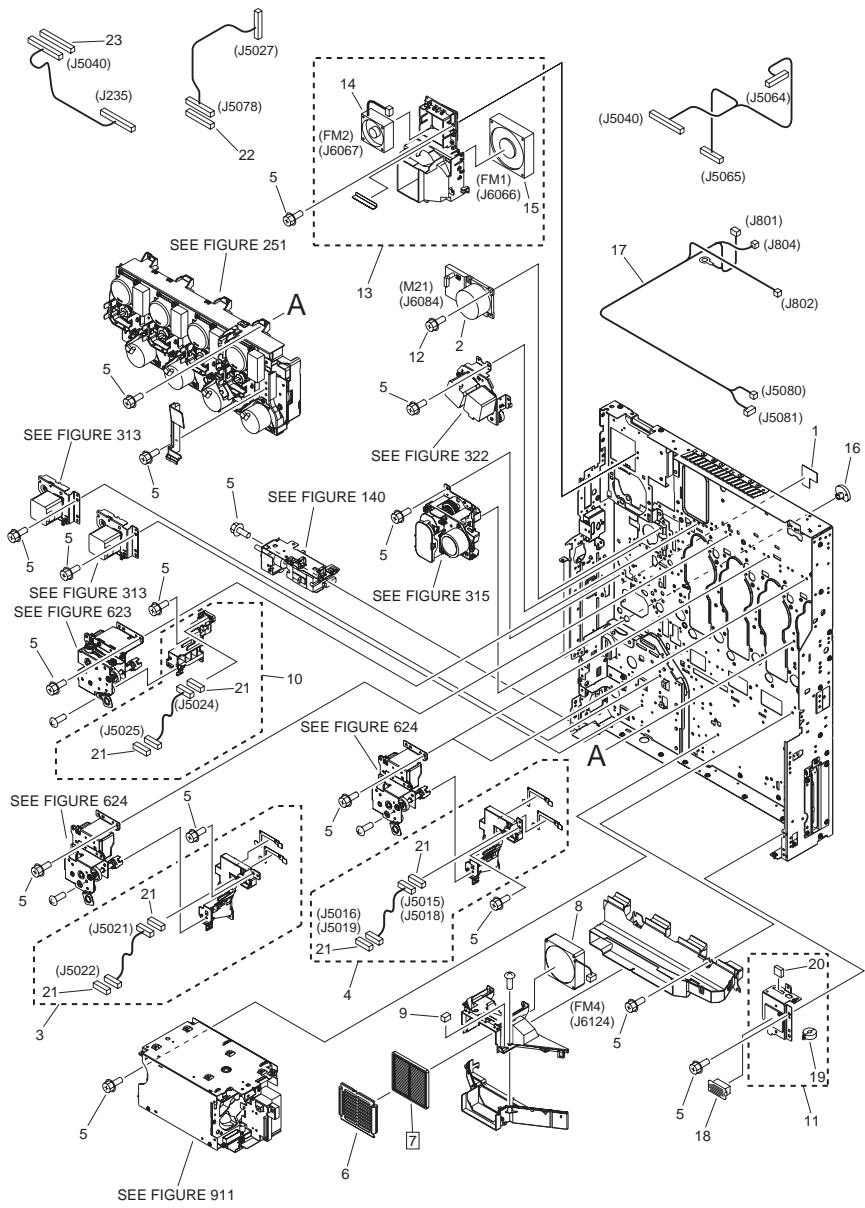




FIGURE & KEY NO.	PARTS NUMBER	R A N K	Q'TY	DESCRIPTION	SERIAL NUMBER/ REMARKS	S V C
Fig.108	NPN		RF	MACHINE REAR PLATE 1		
1	FC8-4459-000		1	LABEL, I.T.BELT CAUTION		
2	FK2-7302-000		1	MOTOR, DC	M21	
3	FM3-5988-000		1	IMAGING H.V.C. ASSEMBLY, BK		
4	FM3-5989-000		2	1ST TRNSFR. H.V. CONTACT ASS'Y		
5	XA9-0732-000		AR	SCREW,RS,M4		
6	FL3-3585-000		1	PLATE, FAN PROTECTIVE, REAR		
7	FC6-9817-000		1	FILTER, TONER, LEFT	[DP]	
8	FK2-0360-000		1	FAN	FM4	
9	VS1-7177-003		1	CONNECTOR, SNAP TIGHT, BK		
10	FM3-8929-000		1	SET ON DRIVE BLACK MOUNT ASS'Y		
11	FM3-6041-000		1	FINISHER LATTICE ASSEMBLY		
12	XA9-1386-000		9	SCREW,RS,M3X8		
13	FM3-5998-000		1	FIXING EXHAUST DUCT ASSEMBLY		
14	FK2-3679-000		1	FAN	FM2	
15	FK2-7286-000		1	FAN	FM1	
16	FC8-5078-000		1	CAM, PLATE RELEASE, CENTER		
17	FM3-7882-000		1	CABLE, UI-OP POWER SUPPLY		
18	FH2-6552-000		1	COVER, CONNECTOR		
19	WE8-5183-000		1	FERRITE CORE		
20	VS1-7177-010		1	CONNECTOR, 10P		
21	VS1-8412-007		8	CONNECTOR, SNAP TIGHT, BL		
22	VS1-8412-019		1	CONNECTOR, SNAP TIGHT, BL		
23	VS1-8412-029		1	CONNECTOR, SNAP TIGHT, BL		

# FIGURE 109 MACHINE REAR PLATE 2

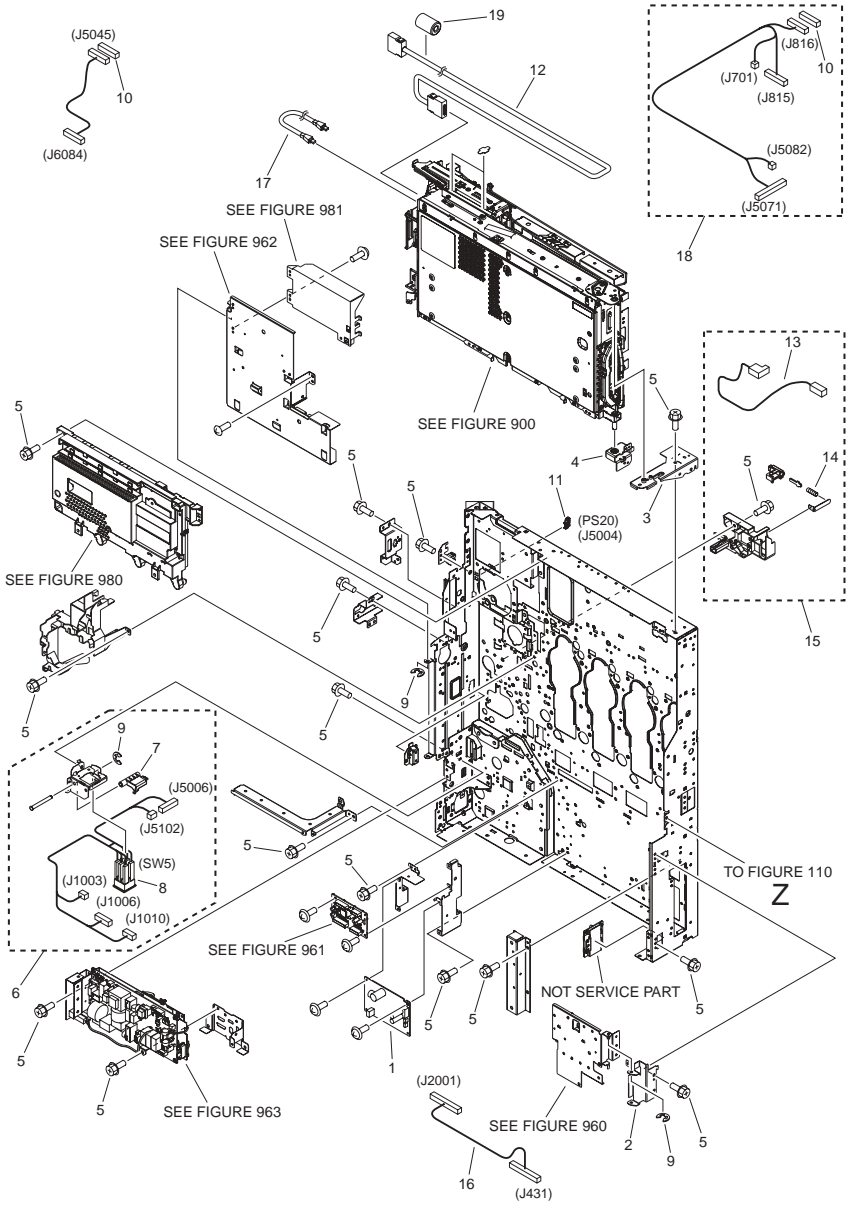


FIGURE & KEY NO.	PARTS NUMBER	R A N K	Q'TY	DESCRIPTION	SERIAL NUMBER/ REMARKS	S V C
Fig.109	NPN		RF	MACHINE REAR PLATE 2		
1	FK2-6324-000		1	ALL NIGHT P.S. PCB ASSEMBLY	100V,120V	
1	FK2-6325-000		1	ALL NIGHT P.S. PCB ASSEMBLY	230V	
2	FC8-5170-000		1	PLATE, DRUM DRIVER HINGE		
3	FL2-9531-000		1	HINGE, CONTROLLER BOX, UPPER		
4	FL3-1197-000		1	HINGE, CONTROLLER BOX, LOWER		
5	XA9-0732-000		AR	SCREW,RS,M4		
6	FM3-6010-000		1	INTERLOCK ASSEMBLY, AC		
7	FC8-5149-000		1	LINK, SWITCH PRESSURE		
8	FM3-7800-000		1	CABLE, AC INTERLOCK SWITCH	SW5	
9	XD9-0136-000		3	RING,E		
10	VS1-8412-011		2	CONNECTOR, SNAP TIGHT, BL		
11	WG8-5848-000		1	PHOTO-INTERRUPTER,GP1A173LCS0F	PS20	
12	FK2-8443-000		1	CABLE, CONTROL PANEL		
13	FM3-7859-000		1	CABLE,2ND TRNSFR. HIGH VOLTAGE		
14	FU7-2447-000		1	SPRING, COMPRESSION		
15	FM3-6012-000		1	PRE 2ND TRNS. H.V. CNCT. ASS'Y		
16	FM3-7803-000		1	CABLE, POWER SUPPLY RELAY, 2		
17	FK2-8447-000		1	CABLE, USB		
18	FM3-7879-000		1	CABLE, FINISHER		
19	WE8-5601-000		1	FERRITE CORE		

# FIGURE 110 MACHINE REAR PLATE 3

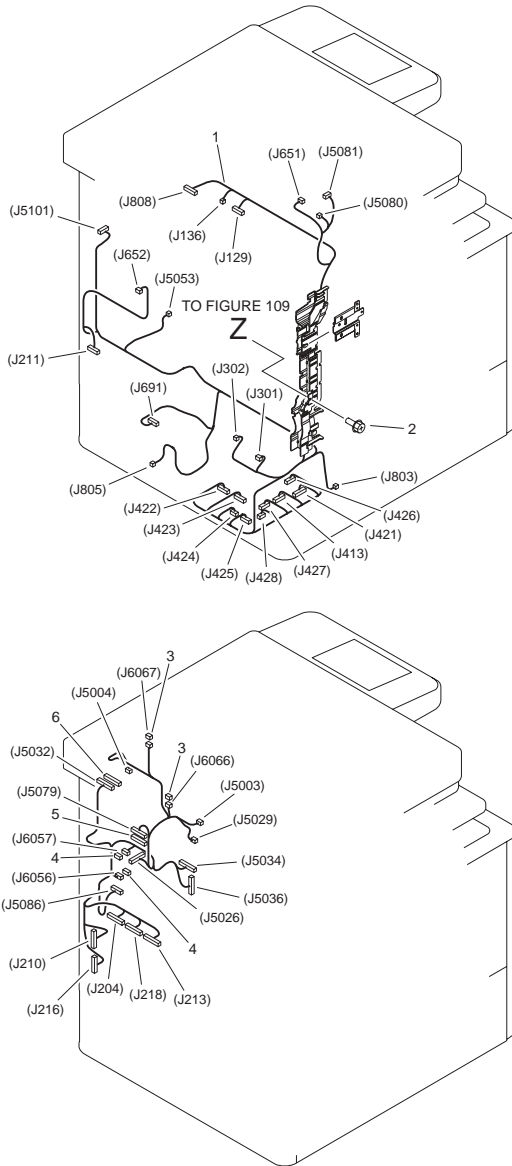
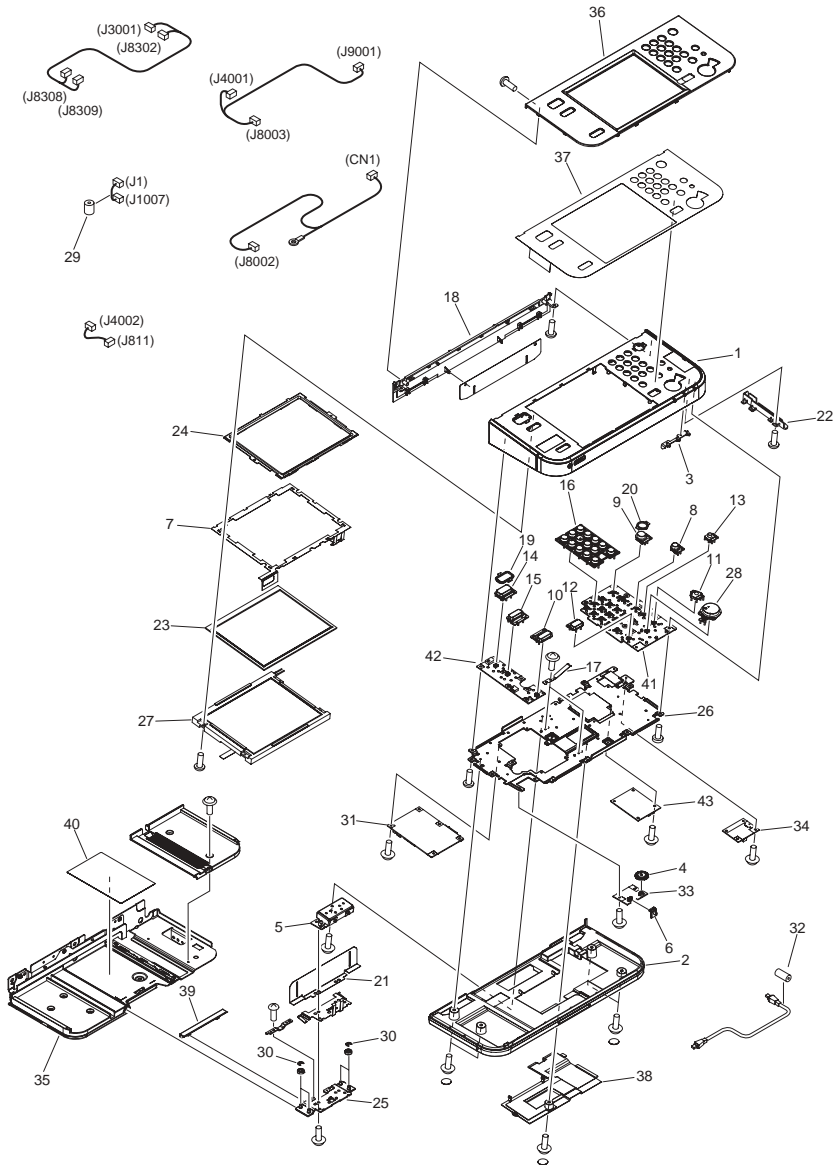


FIGURE & KEY NO.	PARTS NUMBER	RANK	Q'TY	DESCRIPTION	SERIAL NUMBER/REMARKS	SVC
Fig.110	NPN		RF	MACHINE REAR PLATE 3		
1	FM3-8903-000		1	DC POWER CABLE ASSEMBLY		
2	XA9-0732-000		AR	SCREW,RS,M4		
3	VS1-7177-003		2	CONNECTOR, SNAP TIGHT, BK		
4	VS1-7177-004		2	CONNECTOR, SNAP TIGHT, BK		
5	VS1-8412-017		1	CONNECTOR, SNAP TIGHT, BL		
6	VS1-8412-021		1	CONNECTOR, SNAP TIGHT, BL		

# FIGURE 130 CONTROL PANEL ASS'Y



NOTE : This assembly does not include the parts shown with key No. 35, 36, 37, 38, 39 and 40.  
 注:このユニットにKey No. 35, 36, 37, 38, 39, 40の部品は含まれません。

FIGURE & KEY NO.	PARTS NUMBER	R A N K	Q'TY	DESCRIPTION	SERIAL NUMBER/ REMARKS	S V C
Fig.130	FM3-7992-000		1	CONTROL PANEL ASSEMBLY		
1	FC8-7819-000		1	BASE, UP COVER		
2	FC8-7820-000		1	COVER, LOWER		
3	FC8-7823-000		1	COVER, LAMP		
4	FC8-7824-000		1	KEY TOP, BRIGHTNESS ADJUSTMENT		
5	FC8-7825-000		1	HINGE, K		
6	FC8-7834-000		1	KEY TOP, VOLUME		
7	FC8-7838-000		1	SHEET, ANTISTATIC		
8	FC8-8649-000		1	KEY TOP, SETTINGS/REGISTRATION		
9	FC8-8650-000		1	KEY TOP, POWER		
10	FC8-8651-000		1	KEY TOP, RESET		
11	FC8-8653-000		1	KEY TOP, STOP		
12	FC8-8654-000		1	KEY TOP, CANCEL		
13	FC8-8655-000		1	KEY TOP, COUNTER CHECK		
14	FC8-8658-000		1	KEY TOP, MAIN MENU		
15	FC8-8659-000		1	KEY TOP, PORTAL		
16	FC8-8660-000		1	KEY TOP, NUMBERS		
17	FC8-8679-000		2	PLATE, GROUNDING		
18	FC9-4382-000		1	COVER, REAR		
19	FC9-4390-000		1	COVER, KEY TOP, LEFT		
20	FC9-4391-000		1	COVER, KEY TOP, RIGHT		
21	FC9-4403-000		1	SHEET, COVER		
22	FC9-4408-000		1	COVER, PEN		
23	FK2-8477-000		1	TOUCH PANEL ASSEMBLY		
24	FL3-0627-000		1	COVER, LIQUID CRYSTAL DISPLAY		
25	FL3-0628-000		1	SLIDER		
26	FL3-0629-000		1	CROSSMEMBER, CONTROL PANEL		
27	FL3-0630-000		1	LCD, 8.4 INCH		
28	FL3-0833-000		1	KEY TOP, START		
29	WE8-5731-000		1	RING CORE		
30	XD9-0134-000		4	RING,E		
31	FM3-7994-000		1	CPU PCB ASSEMBLY		

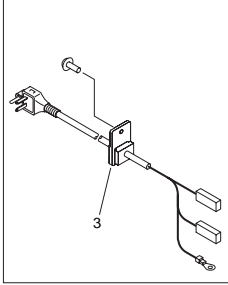
FIGURE & KEY NO.	PARTS NUMBER	RANK	Q'TY	DESCRIPTION	SERIAL NUMBER/REMARKS	SVC
32	WE8-5600-000		1	CORE, RING		
33	FM4-1198-000		1	CONTROL PANEL VOLUME ASSEMBLY		
34	FM4-1199-000		1	CONTROL PANEL HUB ASSEMBLY		
35	FM3-7993-000		1	CONTROL PANEL FIXED ASSEMBLY	SEE NOTE	
36	FC8-7818-000		1	COVER, UP	SEE NOTE	
37	FC8-7822-000		1	SHEET, OPERATOR ASS'Y	iR-ADV C5051 JP SEE NOTE	
37	FC9-4396-000		1	SHEET, OPERATOR ASS'Y	iR-ADV C5051 US,AU,230V SEE NOTE	
37	FC9-4397-000		1	SHEET, OPERATOR ASS'Y	iR-ADV C5051 EUR SEE NOTE	
37	FC9-9209-000		1	SHEET, OPERATOR ASS'Y	iR-ADV C5045 JP SEE NOTE	
37	FC9-9210-000		1	SHEET, OPERATOR ASS'Y	iR-ADV C5035 JP SEE NOTE	
37	FC9-9211-000		1	SHEET, OPERATOR ASS'Y	iR-ADV C5030 JP SEE NOTE	
37	FC9-9212-000		1	SHEET, OPERATOR ASS'Y	iR-ADV C5051F JP SEE NOTE	
37	FC9-9213-000		1	SHEET, OPERATOR ASS'Y	iR-ADV C5045F JP SEE NOTE	
37	FC9-9214-000		1	SHEET, OPERATOR ASS'Y	iR-ADV C5035F JP SEE NOTE	
37	FC9-9215-000		1	SHEET, OPERATOR ASS'Y	iR-ADV C5030F JP SEE NOTE	
37	FC9-9216-000		1	SHEET, OPERATOR ASS'Y	iR-ADV C5045 US,AU,230V SEE NOTE	
37	FC9-9217-000		1	SHEET, OPERATOR ASS'Y	iR-ADV C5035 US,AU,230V SEE NOTE	
37	FC9-9218-000		1	SHEET, OPERATOR ASS'Y	iR-ADV C5030 US,AU,230V SEE NOTE	
37	FC9-9219-000		1	SHEET, OPERATOR ASS'Y	iR-ADV C5045 EUR SEE NOTE	
37	FC9-9220-000		1	SHEET, OPERATOR ASS'Y	iR-ADV C5035 EUR SEE NOTE	
37	FC9-9221-000		1	SHEET, OPERATOR ASS'Y	iR-ADV C5030 EUR SEE NOTE	
37	FC9-9222-000		1	SHEET, OPERATOR ASS'Y	iR-ADV C5051i EUR SEE NOTE	
37	FC9-9223-000		1	SHEET, OPERATOR ASS'Y	iR-ADV C5045i EUR SEE NOTE	



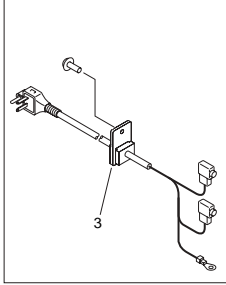
FIGURE & KEY NO.	PARTS NUMBER	R A N K	Q'TY	DESCRIPTION	SERIAL NUMBER/ REMARKS	S V C
37	FC9-9224-000		1	SHEET, OPERATOR ASS'Y	iR-ADV C5035i EUR SEE NOTE	
37	FC9-9225-000		1	SHEET, OPERATOR ASS'Y	iR-ADV C5030i EUR SEE NOTE	
38	FC8-7842-000		1	COVER, LOWER, SMALL	SEE NOTE	
39	FC9-4402-000		1	COVER, SLIDE	SEE NOTE	
40	FC9-4405-000		1	SHEET, BLANKING	SEE NOTE	
41	FM4-1194-000		1	KEY TOP PCB ASSEMBLY		
42	FM4-1195-000		1	KEY TOP PCB ASSEMBLY, SUB		
43	FM4-1196-000		1	INVERTER PCB ASSEMBLY		
T9001	FK2-8474-000		1	TRANSFORMER		

# FIGURE 140 POWER CORD TERMINAL ASS'Y

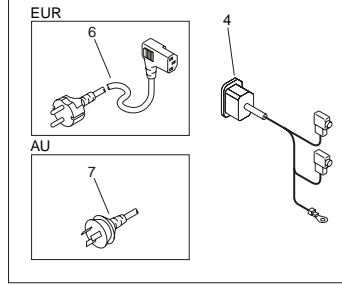
iR-ADV C5051/5045 SERIES  
120V



iR-ADV C5035/5030 SERIES  
120V



230V



100V

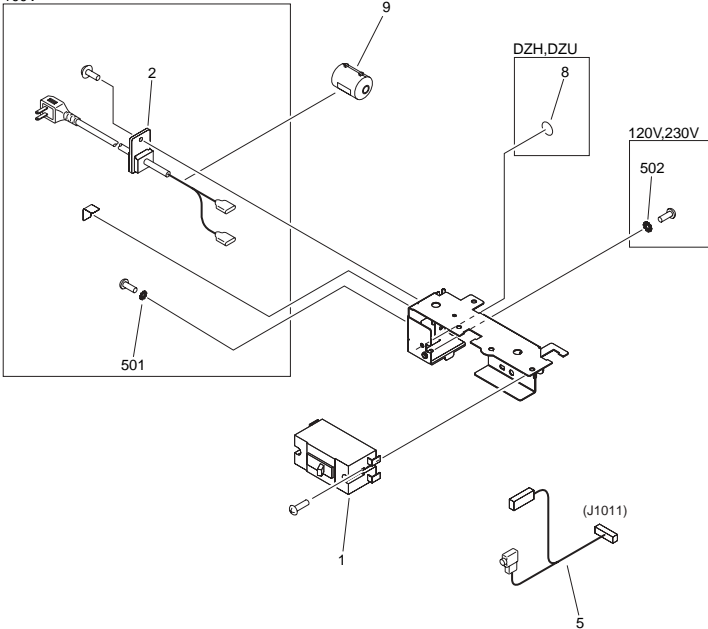


FIGURE & KEY NO.	PARTS NUMBER	R A N K	Q'TY	DESCRIPTION	SERIAL NUMBER/ REMARKS	S V C
Fig.140	FM3-6045-000		1	POWER CORD TERMINAL ASS'Y	100V	
Fig.140	FM3-6056-000		1	POWER CORD TERMINAL ASS'Y	iR-ADV C5051,5045 SERIES 120V	
Fig.140	FM3-6055-000		1	POWER CORD TERMINAL ASS'Y	iR-ADV C5035,5030 SERIES 120V	
Fig.140	FM3-6057-000		1	POWER CORD TERMINAL ASS'Y	230V	
1	FH7-7625-030		1	BREAKER, ELECTRIC LEAKAGE	230V	
1	FH7-7626-000		1	BREAKER, ELECTRIC LEAKAGE	iR-ADV C5035,5030 SERIES 100V,120V	
1	FK2-7359-000		1	BREAKER, ELECTRIC LEAKAGE	iR-ADV C5051,5045 SERIES 120V	
2	FL3-2613-000		1	CABLE, POWER SUPPLY, 100V	100V	
3	FL3-2614-000		1	CABLE, POWER SUPPLY, 120V	iR-ADV C5035,5030 SERIES 120V	
3	FL3-2615-000		1	CABLE, POWER SUPPLY, 120V	iR-ADV C5051,5045 SERIES 120V	
4	FM3-7824-000		1	CABLE, INLET, 230V	230V	
5	FM3-7793-000		1	CABLE, AC INPUT		
6	FK2-0146-000		1	CORD, POWER SUPPLY	EUR	
7	FK2-0148-000		1	CORD, POWER SUPPLY	AU	
8	FC7-4825-000		1	LABEL, BLANKING, GROUDING MARK	JP	
9	WE8-6152-000		1	FERRITE CORE, RING TYPE		
501	XD1-4200-402		1	WASHER, TOOTHED LOCK, M4	100V	
502	XD1-4200-502		1	LOCK WASHER (SUS)	120V,230V	

# FIGURE 251 DRUM DEVELOPING DRIVE ASSEMBLY

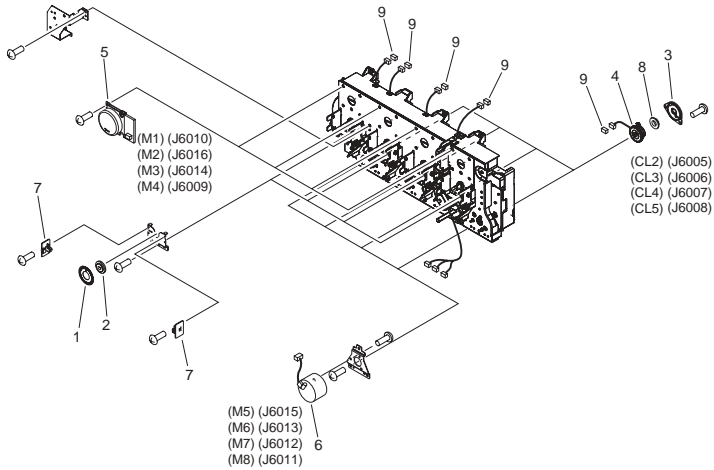


FIGURE & KEY NO.	PARTS NUMBER	RANK	QTY	DESCRIPTION	SERIAL NUMBER/REMARKS	SVC
Fig.251	NPN		1	DRUM DEVELOPING DRIVE ASSEMBLY		
1	FC8-4165-000		4	WHEEL, CORD, 645P		
2	FC8-4166-000		4	BASE, WHEEL		
3	FC8-4175-000		4	COVER, CLUTCH		
4	FK2-7285-000		4	CLUTCH, ELECTROMAGNETIC	CL2,CL3,CL4,CL5	
5	FK2-7298-000		4	MOTOR, DC	M1,M2,M3,M4	
6	FK2-7303-000		4	MOTOR, DC	M5,M6,M7,M8	
7	FM3-7944-000		8	DRUM ENCODER PCB ASSEMBLY		
8	FU5-1448-000		4	BUSHING		
9	VS1-7177-002		8	CONNECTOR, SNAP TIGHT, BK		

# FIGURE 270 SHUTTER DRIVE MOUNT ASSEMBLY

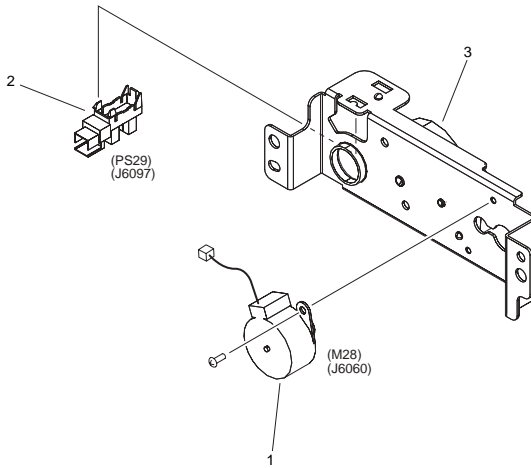


FIGURE & KEY NO.	PARTS NUMBER	RANK	QTY	DESCRIPTION	SERIAL NUMBER/REMARKS	SVC
Fig.270	FM3-5928-000		1	SHUTTER DRIVE MOUNT ASSEMBLY		
1	FK2-2069-000		1	MOTOR, STEPPING, DC	M28	
2	WG8-5783-000		1	IC,PHOTO-INTERRUPTER,LG248NL1A	PS29	
3	FM3-6109-000		1	DRIVE MOUNT BASE ASSEMBLY		

# FIGURE 300 CASSETTE ASSEMBLY, 1

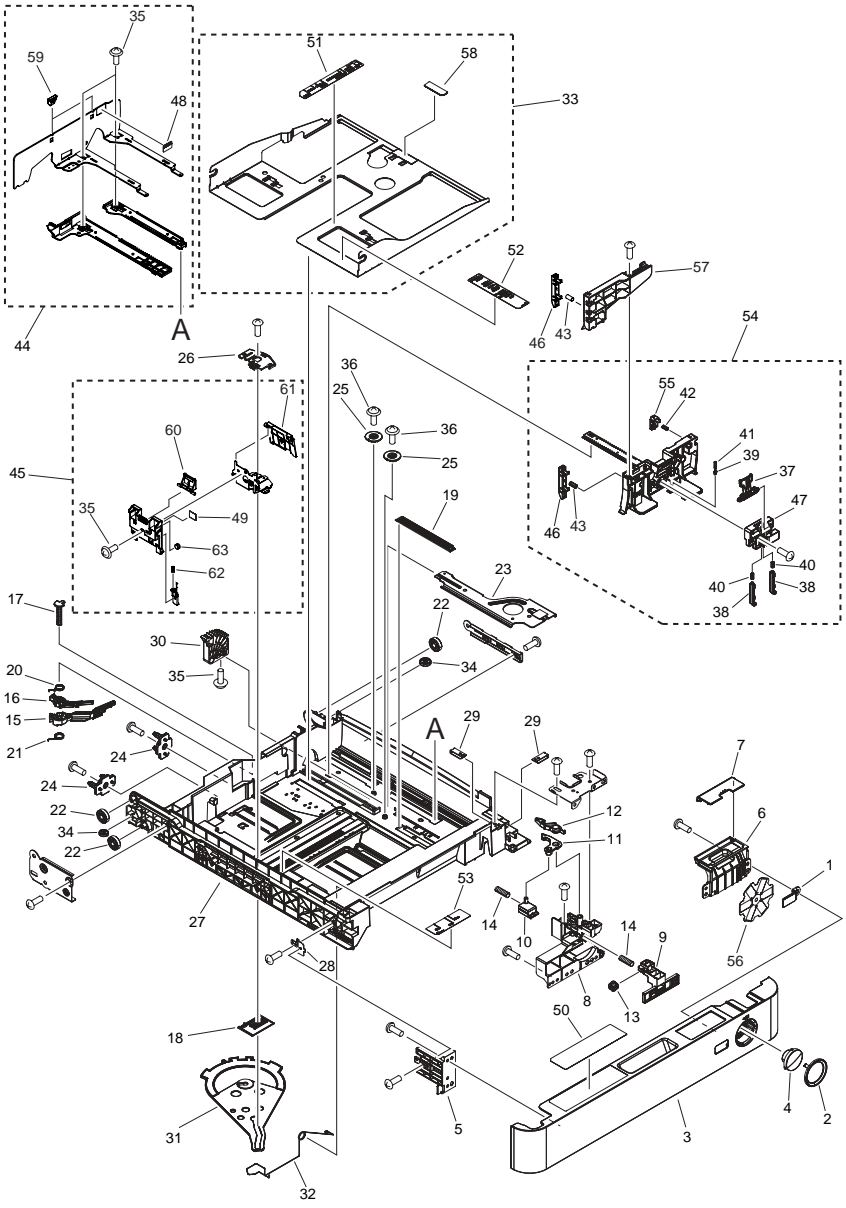


FIGURE & KEY NO.	PARTS NUMBER	R A N K	Q'TY	DESCRIPTION	SERIAL NUMBER/ REMARKS	S V C
Fig.300	NPN		RF	CASSETTE ASSEMBLY, 1		
1	FC8-4967-000		1	WINDOW, CST FR. COVER IND.		
2	FC8-4968-000		1	RING, BUTTON		
3	FC8-4974-000		1	COVER, CASSETTE, FRONT		
4	FC8-4985-000		1	BUTTON, PUSHING		
5	FC8-4993-000		1	PLATE, COVER ATTACHMENT, LEFT		
6	FC9-0136-000		1	HOLDER, SIZE INDEX		
7	FC9-4042-000		1	COVER, SIZEPLATE		
8	FC8-4969-000		1	MOUNT,CST. FR. COVER ADJUST,R		
9	FC8-4986-000		1	LINK, BUTTON, UPPER, 2		
10	FC8-4987-000		1	LINK, BUTTON, LOWER		
11	FC9-7259-000		1	ARM, LOCK, A		
12	FC9-7260-000		1	ARM, LOCK, B		
13	FC9-7261-000		1	ROLLER, LINK		
14	FU7-2518-000		2	SPRING, COMPRESSION		
15	FC8-2469-000		1	DIAL, DETECT, SMALL		
16	FC8-2470-000		1	DIAL, DETECT, LARGE		
17	FC8-2474-000		1	SHAFT, SUPPORT		
18	FC8-2475-000		1	PLATE, JOINT		
19	FC8-2670-000		1	PLATE, FREE STOP		
20	FC8-2671-000		1	SPRING, TORSION		
21	FC8-2672-000		1	SPRING, TORSION		
22	FC8-4970-000		3	ROLLER, CASSETTE SWING		
23	FL3-2859-000		1	PLATE, LIFTER		
24	FC8-4989-000		2	PIN, SIZE DETECT POSITIONING		
25	FC8-4990-000		2	GEAR, 14T		
26	FC8-4996-000		1	COVER, TOP		
27	FL3-2857-000		1	BODY, CASSETTE, M		
28	FC9-0127-000		1	PLATE, COVER MOUNTING, L		
29	FC9-0128-000		2	PLATE, COVER MOUNTING, R		
30	FC9-0129-000		1	GEAR, 9T		
31	FC9-0130-000		1	LINK, BACK END DETECT		

FIGURE & KEY NO.	PARTS NUMBER	R A N K	Q'TY	DESCRIPTION	SERIAL NUMBER/ REMARKS	S V C
32	FC9-0140-000		1	SPRING, GROUNDING		
33	FL2-9472-000		1	PLATE, CENTER		
34	FS5-6945-000		2	COLLAR, REGISTRATION MULTI		
35	XA9-1016-000		6	SCREW W/WASHER, M3X8		
36	XA9-1523-000		2	SCREW, B, M4X8		
37	FC8-2462-000		1	KNOB, PAPER SIDE END		
38	FC8-2463-000		2	STOPPER		
39	FC8-2464-000		1	PLATE, CLICK		
40	FU7-2326-000		2	SPRING, COMPRESSION		
41	FU7-2327-000		1	SPRING, COMPRESSION		
42	FU7-2513-000		1	SPRING, COMPRESSION		
43	FU7-2514-000		2	SPRING, COMPRESSION		
44	FM3-8906-000		1	SIDE END PLATE ASSEMBLY, REAR		
45	FM3-8907-000		1	BACK END LIMIT PLATE ASSEMBLY		
46	FC8-5262-000		2	BLOCK, PAPER SIDE END, LARGE		
47	FC8-2484-000		1	COVER, HANDLE		
48	FC8-4964-000		1	LABEL, HEIGHT LIMIT, S		
49	FC8-4965-000		1	LABEL, HEIGHT LIMIT, R		
50	FC8-4966-000		1	LABEL, PAPER PICK-UP OPERATION		
51	FC8-4994-000		1	LABEL, INDEX, SIZE, BACK END		
52	FC9-7242-000		1	LABEL, INDEX, SIZE M, SIDE		
53	FC9-7243-000		1	LABEL, INDEX, SIZE M, BACK END		
54	FM3-8905-000		1	SIDE END PLATE ASSEMBLY, FRONT		
55	FM3-8911-000		1	SIDE END BLOCK ASSEMBLY, SMALL		
56	FC9-0145-000		1	PLATE, SIZE INDICATION		
57	FC9-0133-000		1	PLATE,PAPER SIDE END EXTENSION		
58	FC9-7171-000		1	SHEET, SEPARATION		
59	FC9-7170-000		2	CLAW, SIDE		
60	FC8-2466-000		1	LEVER		
61	FC8-4997-000		1	FLAPPER		
62	FU7-2328-000		1	SPRING, COMPRESSION		
63	FU7-2515-000		1	SPRING, COMPRESSION		



FIGURE 301  
CASSETTE ASSEMBLY, 2

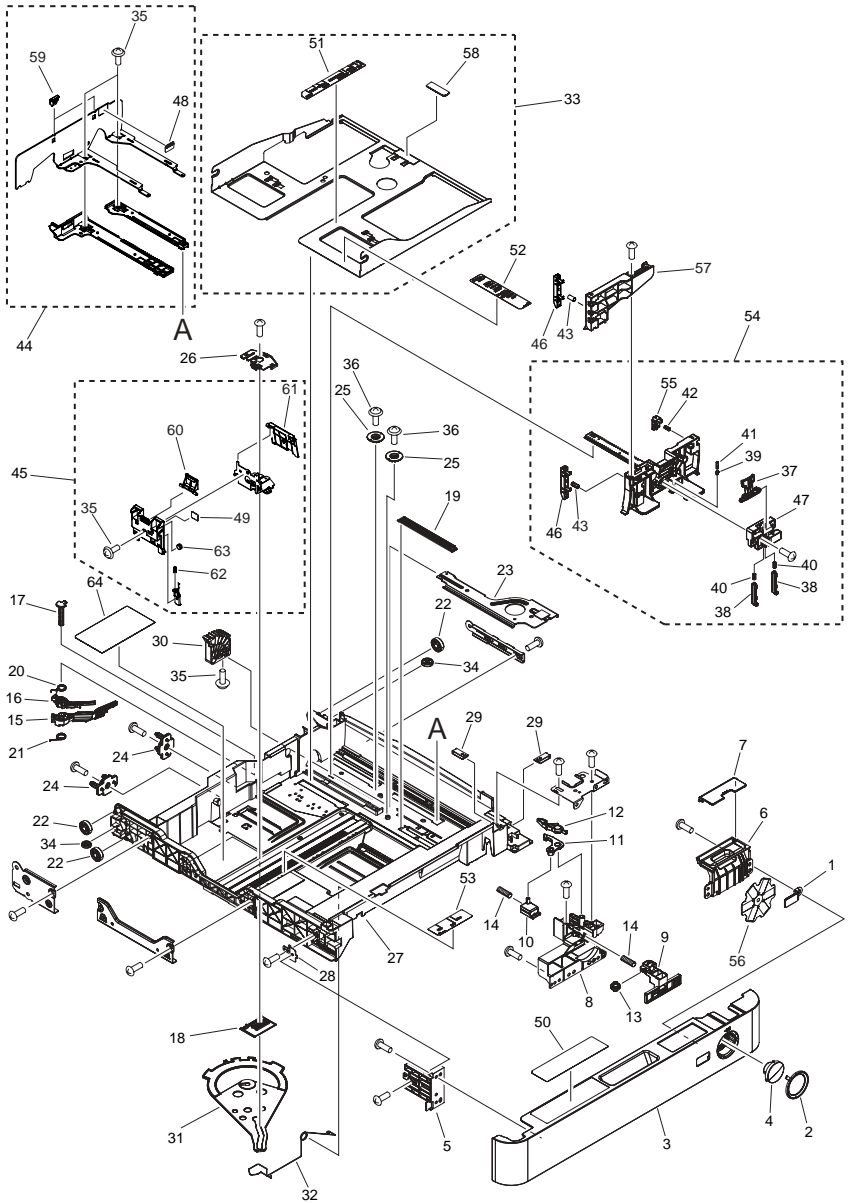


FIGURE & KEY NO.	PARTS NUMBER	R A N K	Q'TY	DESCRIPTION	SERIAL NUMBER/ REMARKS	S V C
Fig.301	NPN		RF	CASSETTE ASSEMBLY, 2		
1	FC8-4967-000		1	WINDOW, CST FR. COVER IND.		
2	FC8-4968-000		1	RING, BUTTON		
3	FC8-4974-000		1	COVER, CASSETTE, FRONT		
4	FC8-4985-000		1	BUTTON, PUSHING		
5	FC8-4993-000		1	PLATE, COVER ATTACHMENT, LEFT		
6	FC9-0136-000		1	HOLDER, SIZE INDEX		
7	FC9-4042-000		1	COVER, SIZEPLATE		
8	FC8-4969-000		1	MOUNT,CST. FR. COVER ADJUST,R		
9	FC8-4986-000		1	LINK, BUTTON, UPPER, 2		
10	FC8-4987-000		1	LINK, BUTTON, LOWER		
11	FC9-7259-000		1	ARM, LOCK, A		
12	FC9-7260-000		1	ARM, LOCK, B		
13	FC9-7261-000		1	ROLLER, LINK		
14	FU7-2518-000		2	SPRING, COMPRESSION		
15	FC8-2469-000		1	DIAL, DETECT, SMALL		
16	FC8-2470-000		1	DIAL, DETECT, LARGE		
17	FC8-2474-000		1	SHAFT, SUPPORT		
18	FC8-2475-000		1	PLATE, JOINT		
19	FC8-2670-000		1	PLATE, FREE STOP		
20	FC8-2671-000		1	SPRING, TORSION		
21	FC8-2672-000		1	SPRING, TORSION		
22	FC8-4970-000		3	ROLLER, CASSETTE SWING		
23	FL3-2859-000		1	PLATE, LIFTER		
24	FC8-4989-000		2	PIN, SIZE DETECT POSITIONING		
25	FC8-4990-000		2	GEAR, 14T		
26	FC8-4996-000		1	COVER, TOP		
27	FL3-2858-000		1	BODY, CASSETTE, L		
28	FC9-0127-000		1	PLATE, COVER MOUNTING, L		
29	FC9-0128-000		2	PLATE, COVER MOUNTING, R		
30	FC9-0129-000		1	GEAR, 9T		
31	FC9-0130-000		1	LINK, BACK END DETECT		

FIGURE & KEY NO.	PARTS NUMBER	R A N K	Q'TY	DESCRIPTION	SERIAL NUMBER/ REMARKS	S V C
32	FC8-4992-000		1	WIRE,CENTER PLATE GROUNDING,L		
33	FL2-9472-000		1	PLATE, CENTER		
34	FS5-6945-000		2	COLLAR, REGISTRATION MULTI		
35	XA9-1016-000		6	SCREW W/WASHER, M3X8		
36	XA9-1523-000		2	SCREW, B, M4X8		
37	FC8-2462-000		1	KNOB, PAPER SIDE END		
38	FC8-2463-000		2	STOPPER		
39	FC8-2464-000		1	PLATE, CLICK		
40	FU7-2326-000		2	SPRING, COMPRESSION		
41	FU7-2327-000		1	SPRING, COMPRESSION		
42	FU7-2513-000		1	SPRING, COMPRESSION		
43	FU7-2514-000		2	SPRING, COMPRESSION		
44	FM3-8906-000		1	SIDE END PLATE ASSEMBLY, REAR		
45	FM3-8907-000		1	BACK END LIMIT PLATE ASSEMBLY		
46	FC8-5262-000		2	BLOCK, PAPER SIDE END, LARGE		
47	FC8-2484-000		1	COVER, HANDLE		
48	FC8-4962-000		1	LABEL, INDEX, SIZE L, SIDE		
49	FC8-4963-000		1	LABEL, INDEX, SIZE L, BACK END		
50	FC8-4964-000		1	LABEL, HEIGHT LIMIT, S		
51	FC8-4965-000		1	LABEL, HEIGHT LIMIT, R		
52	FC8-4966-000		1	LABEL, PAPER PICK-UP OPERATION		
53	FC8-4994-000		1	LABEL, INDEX, SIZE, BACK END		
54	FM3-8905-000		1	SIDE END PLATE ASSEMBLY, FRONT		
55	FM3-8911-000		1	SIDE END BLOCK ASSEMBLY, SMALL		
56	FC9-0145-000		1	PLATE, SIZE INDICATION		
57	FC9-0133-000		1	PLATE,PAPER SIDE END EXTENSION		
58	FC9-7171-000		1	SHEET, SEPARATION		
59	FC9-7170-000		2	CLAW, SIDE		
60	FC8-2466-000		1	LEVER		
61	FC8-4997-000		1	FLAPPER		
62	FU7-2328-000		1	SPRING, COMPRESSION		
63	FU7-2515-000		1	SPRING, COMPRESSION		

FIGURE & KEY NO.	PARTS NUMBER	R A N K	Q'TY	DESCRIPTION	SERIAL NUMBER/ REMARKS	S V C
64	FC9-7245-000		1	LABEL, PAPER SIZE, CAUTION		

**FIGURE 310**  
**PAPER PICK-UP ASSEMBLY, 1**

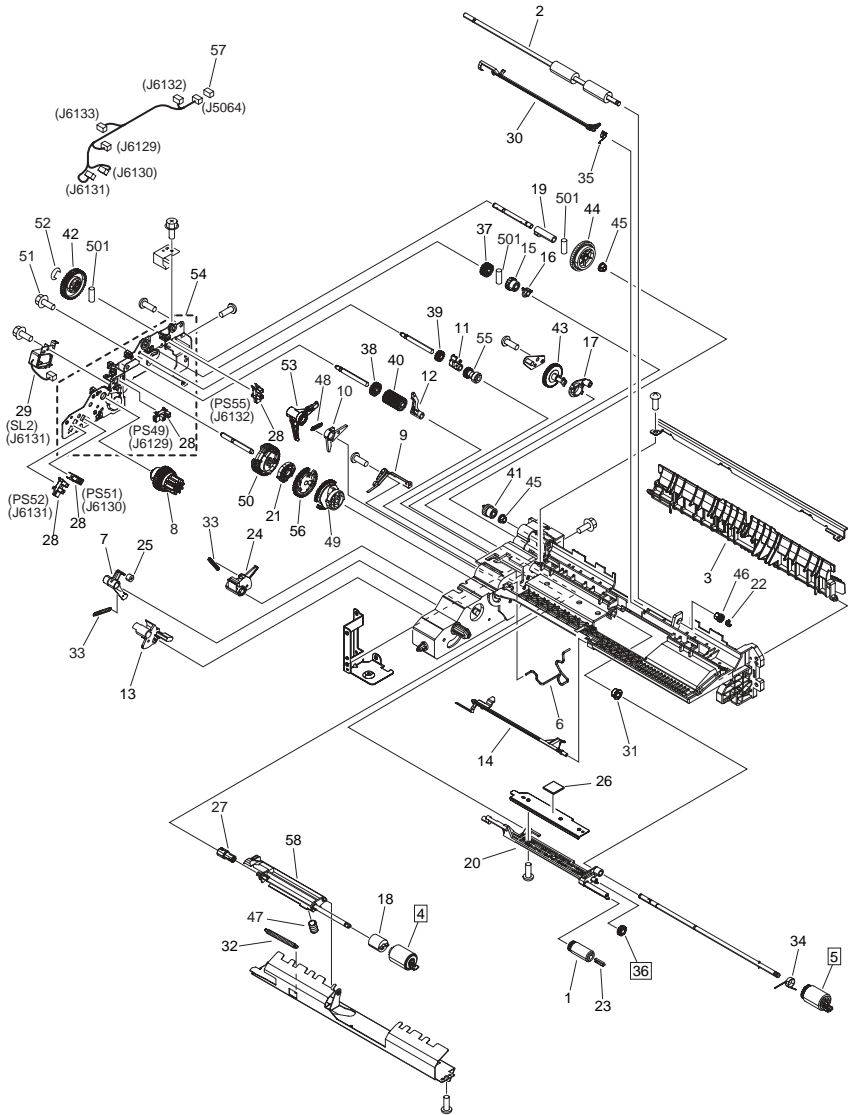


FIGURE & KEY NO.	PARTS NUMBER	R A N K	Q'TY	DESCRIPTION	SERIAL NUMBER/ REMARKS	S V C
Fig.310	FM3-5935-000		1	PAPER PICK-UP ASSEMBLY, 1		
1	FB6-3405-000		1	ROLLER, PAPER PICK-UP		
2	FB6-4852-000		1	ROLLER, VERTICAL PATH		
3	FC5-0595-010		1	GUIDE, VERTICAL PATH		
4	FC6-6661-000		1	ROLLER, SEPARATION	[DP]	
5	FC6-7083-000		1	ROLLER, FEED/SEPARATION	[DP]	
6	FB6-3388-000		1	ROD, SEPARATION ROLLER RELEASE		
7	FB6-3389-000		1	CLAW, PICK-UP		
8	FB6-3391-000		1	GEAR, RATCHET		
9	FB6-3392-020		1	SPRING, LEAF		
10	FC9-7253-000		1	ARM, LIFTING		
11	FB6-3395-000		1	ARM, PAPER FEED SHAFT		
12	FB6-3396-010		1	LOCK, PICK-UP		
13	FB6-3397-000		1	FLAG, PAPER SENSOR		
14	FB6-3398-000		1	FLAG, PAPER DETECT SENSOR		
15	FB6-3402-000		1	GEAR, RATCHET		
16	FB6-3403-000		1	COUPLING, FEED SHAFT STOP		
17	FB6-3404-000		1	COUPLING, SEPARATION SHAFT		
18	FB6-3410-000		1	LIMITER, TORQUE		
19	FB6-3413-000		1	COLLAR, PAPER PICK-UP SHAFT		
20	FB6-3380-020		1	HOLDER, PAPER PICK-UP ROLLER		
21	FB6-7078-000		1	CAM, LOCK		
22	FC6-9867-000		1	RING, RETAINING		
23	FC7-5845-000		1	STOPPER, ROLLER		
24	FC8-1178-000		1	CLAW, PAPER PICK-UP		
25	FC8-1202-000		1	DAMPER		
26	FC8-1205-000		1	PAD, PAPER PICK-UP HOLDER		
27	FC9-4290-000		1	JOINT, RETARD		
28	FK2-0149-000		4	PHOTO-INTERRUPTER, TLP1252(C6)	PS49,PS51,PS52,PS55	
29	FK2-0408-000		1	SOLENOID	SL2	
30	FL2-6580-000		1	FLAG, REGISTRATION SENSOR		
31	FS5-1943-000		1	BUSHING		

FIGURE & KEY NO.	PARTS NUMBER	R A N K	Q'TY	DESCRIPTION	SERIAL NUMBER/ REMARKS	S V C
32	FU7-5378-000		1	SPRING, TENSION	[DP]	
33	FS7-2800-000		2	SPRING, TENSION		
34	FS7-2801-000		1	SPRING, TORSION		
35	FS7-2803-000		1	SPRING, TORSION		
36	FU3-0280-000		1	GEAR, 15T		
37	FU3-0282-000		1	GEAR, 21T		
38	FU3-0283-000		1	GEAR, 21T		
39	FU3-0284-000		1	GEAR, 16T		
40	FU3-0288-000		1	GEAR, 21T		
41	FU3-0289-000		1	GEAR, 14T		
42	FU3-0347-000		1	GEAR, 41T		
43	FU3-0349-000		1	GEAR, 41T		
44	FU3-0350-000		1	GEAR, 41T/41T		
45	FU5-1033-000		2	BUSHING		
46	FU5-1763-000		1	BUSHING		
47	FU6-2684-000		1	SPRING, COMPRESSION		
48	FU6-2784-000		1	SPRING, TENSION		
49	FU7-0445-000		1	GEAR, 42T		
50	FU7-0848-000		1	GEAR, 51T		
51	XA9-0656-000		1	SCREW,RS,M3X10		
52	XD9-0136-000		1	RING,E		
53	FM3-4146-000		1	PICK-UP ARM UNIT		
54	FM4-1201-000		1	PICK-UP DRIVE SIDE PLATE ASS'Y		
55	FU6-0710-000		1	GEAR, 16T/16T		
56	FF6-2397-000		1	GEAR, 46T		
57	VS1-7177-002		1	CONNECTOR, SNAP TIGHT, BK		
58	FM4-2525-000		1	HOLDER, SEPARATION ROLLER		
501	XD3-2200-122		3	PIN, DOWEL		

# FIGURE 311 PAPER PICK-UP ASSEMBLY, 2

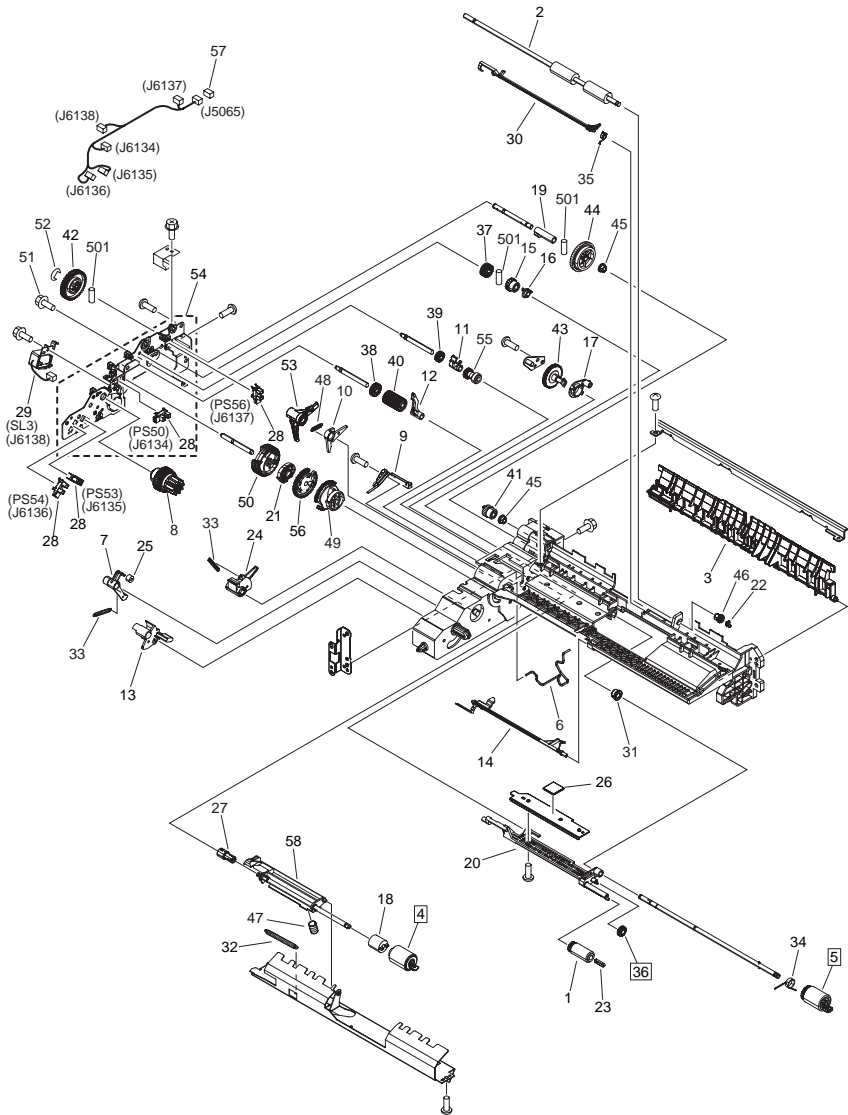




FIGURE & KEY NO.	PARTS NUMBER	R A N K	Q'TY	DESCRIPTION	SERIAL NUMBER/ REMARKS	S V C
Fig.311	FM3-9230-000		1	PAPER PICK-UP ASSEMBLY, 2		
1	FB6-3405-000		1	ROLLER, PAPER PICK-UP		
2	FB6-4852-000		1	ROLLER, VERTICAL PATH		
3	FB6-3387-000		1	GUIDE, VERTICAL PATH		
4	FC6-6661-000		1	ROLLER, SEPARATION	[DP]	
5	FC6-7083-000		1	ROLLER, FEED/SEPARATION	[DP]	
6	FB6-3388-000		1	ROD, SEPARATION ROLLER RELEASE		
7	FB6-3389-000		1	CLAW, PICK-UP		
8	FB6-3391-000		1	GEAR, RATCHET		
9	FB6-3392-020		1	SPRING, LEAF		
10	FC9-7253-000		1	ARM, LIFTING		
11	FB6-3395-000		1	ARM, PAPER FEED SHAFT		
12	FB6-3396-010		1	LOCK, PICK-UP		
13	FB6-3397-000		1	FLAG, PAPER SENSOR		
14	FB6-3398-000		1	FLAG, PAPER DETECT SENSOR		
15	FB6-3402-000		1	GEAR, RATCHET		
16	FB6-3403-000		1	COUPLING, FEED SHAFT STOP		
17	FB6-3404-000		1	COUPLING, SEPARATION SHAFT		
18	FB6-3410-000		1	LIMITER, TORQUE		
19	FB6-3413-000		1	COLLAR, PAPER PICK-UP SHAFT		
20	FB6-3380-020		1	HOLDER, PAPER PICK-UP ROLLER		
21	FB6-7078-000		1	CAM, LOCK		
22	FC6-9867-000		1	RING, RETAINING		
23	FC7-5845-000		1	STOPPER, ROLLER		
24	FC8-1178-000		1	CLAW, PAPER PICK-UP		
25	FC8-1202-000		1	DAMPER		
26	FC8-1205-000		1	PAD, PAPER PICK-UP HOLDER		
27	FC9-4290-000		1	JOINT, RETARD		
28	FK2-0149-000		4	PHOTO-INTERRUPTER, TLP1252(C6)	PS50,PS53,PS54,PS56	
29	FK2-0408-000		1	SOLENOID	SL3	
30	FL2-6580-000		1	FLAG, REGISTRATION SENSOR		
31	FS5-1943-000		1	BUSHING		

FIGURE & KEY NO.	PARTS NUMBER	R A N K	Q'TY	DESCRIPTION	SERIAL NUMBER/ REMARKS	S V C
32	FU7-5378-000		1	SPRING, TENSION	[DP]	
33	FS7-2800-000		2	SPRING, TENSION		
34	FS7-2801-000		1	SPRING, TORSION		
35	FS7-2803-000		1	SPRING, TORSION		
36	FU3-0280-000		1	GEAR, 15T		
37	FU3-0282-000		1	GEAR, 21T		
38	FU3-0283-000		1	GEAR, 21T		
39	FU3-0284-000		1	GEAR, 16T		
40	FU3-0288-000		1	GEAR, 21T		
41	FU3-0289-000		1	GEAR, 14T		
42	FU3-0347-000		1	GEAR, 41T		
43	FU3-0349-000		1	GEAR, 41T		
44	FU3-0350-000		1	GEAR, 41T/41T		
45	FU5-1033-000		2	BUSHING		
46	FU5-1763-000		1	BUSHING		
47	FU6-2684-000		1	SPRING, COMPRESSION		
48	FU6-2784-000		1	SPRING, TENSION		
49	FU7-0445-000		1	GEAR, 42T		
50	FU7-0848-000		1	GEAR, 51T		
51	XA9-0656-000		1	SCREW,RS,M3X10		
52	XD9-0136-000		1	RING,E		
53	FM3-4146-000		1	PICK-UP ARM UNIT		
54	FM4-1201-000		1	PICK-UP DRIVE SIDE PLATE ASS'Y		
55	FU6-0710-000		1	GEAR, 16T/16T		
56	FF6-2397-000		1	GEAR, 46T		
57	VS1-7177-002		1	CONNECTOR, SNAP TIGHT, BK		
58	FM4-2525-000		1	HOLDER, SEPARATION ROLLER		
501	XD3-2200-122		3	PIN, DOWEL		

# FIGURE 313 PAPER PICK-UP DRIVE ASSEMBLY

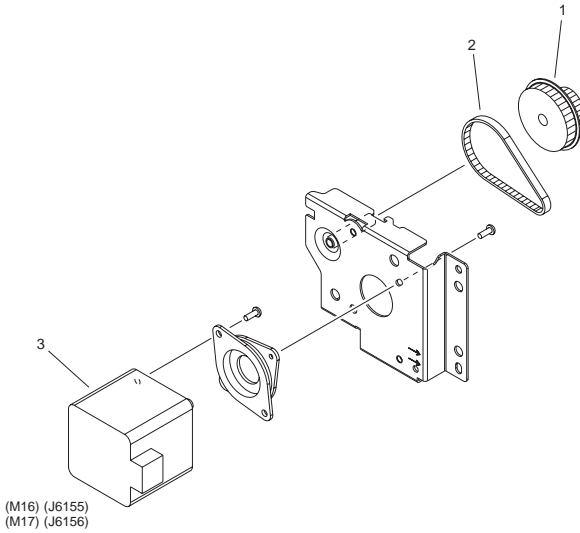


FIGURE & KEY NO.	PARTS NUMBER	RANK	QTY	DESCRIPTION	SERIAL NUMBER/REMARKS	SVC
Fig.313	FM3-5934-000		2	PAPER PICK-UP DRIVE ASSEMBLY		
1	FU7-0353-000		1	PULLEY, 53T/GEAR, 16T		
2	XF2-1607-340		1	BELT, TIMING		
3	FK2-7326-000		1	MOTOR, DC	M16,M17	

# FIGURE 315 MULTI FEEDER DRIVE ASSEMBLY

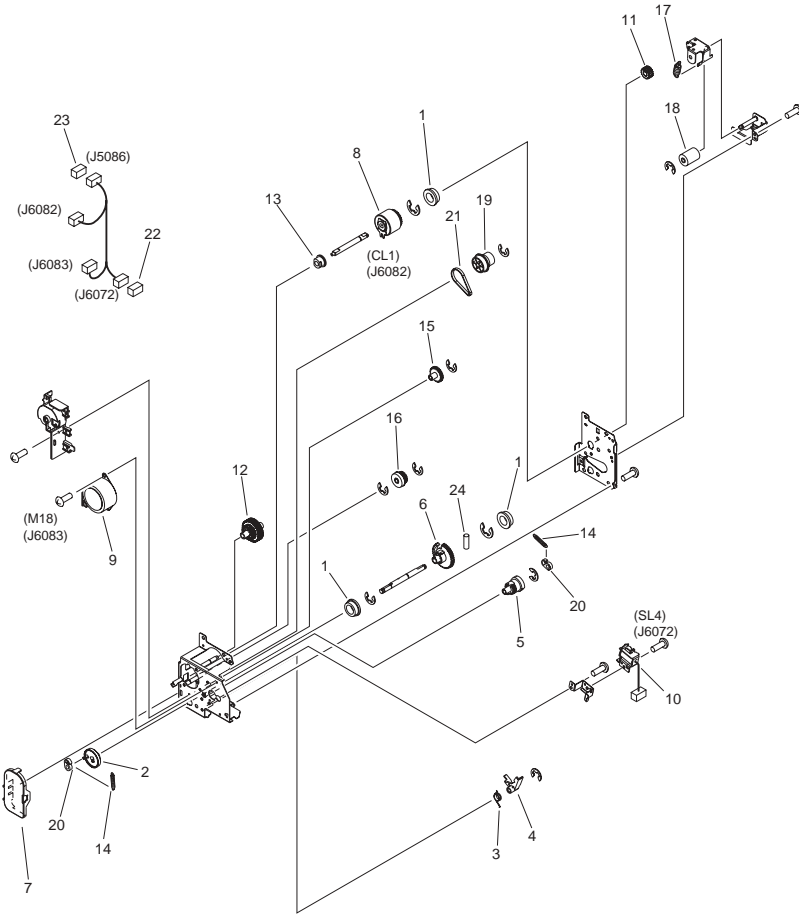


FIGURE & KEY NO.	PARTS NUMBER	R A N K	Q'TY	DESCRIPTION	SERIAL NUMBER/ REMARKS	S V C
Fig.315	FM3-5962-000		1	MULTI FEEDER DRIVE ASSEMBLY		
1	FA9-2112-000		3	BUSHING, PL		
2	FC6-0698-000		1	ROLLER, MULTI STRIKE		
3	FC8-5073-000		1	SPRING, TORSION		
4	FC8-5074-000		1	LEVER, RELEASE		
5	FC8-5075-000		1	GEAR, 15T		
6	FC8-5077-000		1	GEAR, 38T		
7	FC8-5267-000		1	COVER, MULTI DRIVE		
8	FH6-5076-020		1	CLUTCH, ELECTRO MAGNETIC	CL1	
9	FK2-7304-000		1	MOTOR	M18	
10	FK2-7310-000		1	SOLENOID	SL4	
11	FU5-0007-000		1	GEAR, 17T		
12	FU5-0033-000		1	GEAR, 45T/23T		
13	FU5-1615-000		1	BUSHING		
14	FU6-2648-000		2	SPRING, TENSION		
15	FU7-0336-000		1	GEAR, 20T		
16	FU7-0337-000		1	GEAR, 18T/22T		
17	FU7-2471-000		1	SPRING, TENSION		
18	FU8-0162-000		1	GEAR, 18T		
19	FU8-0175-000		1	GEAR/PULLEY, 24T/43T		
20	RB1-2190-000		2	COLLAR, SPRING		
21	XF2-1106-140		1	BELT, TIMING		
22	VS1-7177-002		1	CONNECTOR, SNAP TIGHT, BK		
23	VS1-7177-008		1	CONNECTOR, SNAP TIGHT, BK		
24	XD9-0292-000		1	PIN, DOWEL		

# FIGURE 316 PRE-REGISTRATION GUIDE ASS'Y

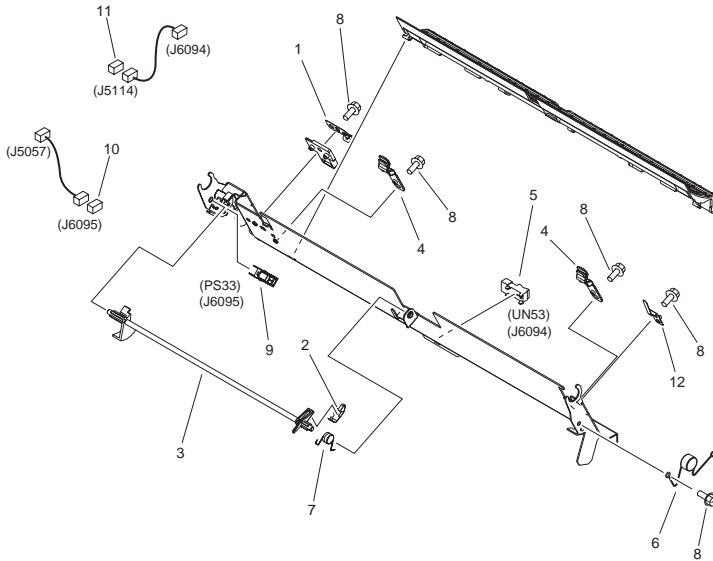


FIGURE & KEY NO.	PARTS NUMBER	R A N K	QTY	DESCRIPTION	SERIAL NUMBER/ REMARKS	S V C
Fig.316	FM3-6011-000		1	PRE-REGISTRATION GUIDE ASS'Y		
1	FC6-5062-000		1	SPRING, GROUNDING		
2	FC7-9370-000		1	PLATE, FLAG, REGISTRATION SENSOR		
3	FC8-5156-000		1	FLAG, PRE-REGISTRATION SENSOR		
4	FC8-5295-000		2	PLATE, GUIDE POSITIONING		
5	FK2-6470-000		1	PHOTO-SENSOR, KUA0055C	UN53	
6	FL2-5804-000		1	CABLE, VARISTOR		
7	FU7-2485-000		1	SPRING, TORSION		
8	XA9-1386-000		6	SCREW, RS, M3X8		
9	WG8-5848-000		1	PHOTO-INTERRUPTER, GP1A173LCS0F	PS33	
10	VS1-7177-003		1	CONNECTOR, SNAP TIGHT, BK		
11	VS1-7177-004		1	CONNECTOR, SNAP TIGHT, BK		
12	FC8-5296-000		1	SPRING, GROUNDING		

# FIGURE 321 PATT. READ SHUTTER DRIVE ASS'Y

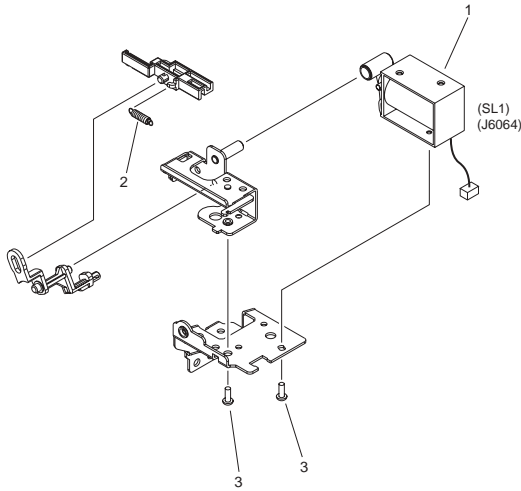


FIGURE & KEY NO.	PARTS NUMBER	RANK	QTY	DESCRIPTION	SERIAL NUMBER/REMARKS	SVC
Fig.321	FM3-8902-000		1	PATT. READ SHUTTER DRIVE ASS'Y		
1	FL3-3159-000		1	SOLENOID	SL1	
2	FU7-2506-000		1	SPRING, TENSION		
3	XA9-1659-000		3	SCREW,M3X4		

# FIGURE 322 DUPLEXING REG. DRIVE ASSEMBLY

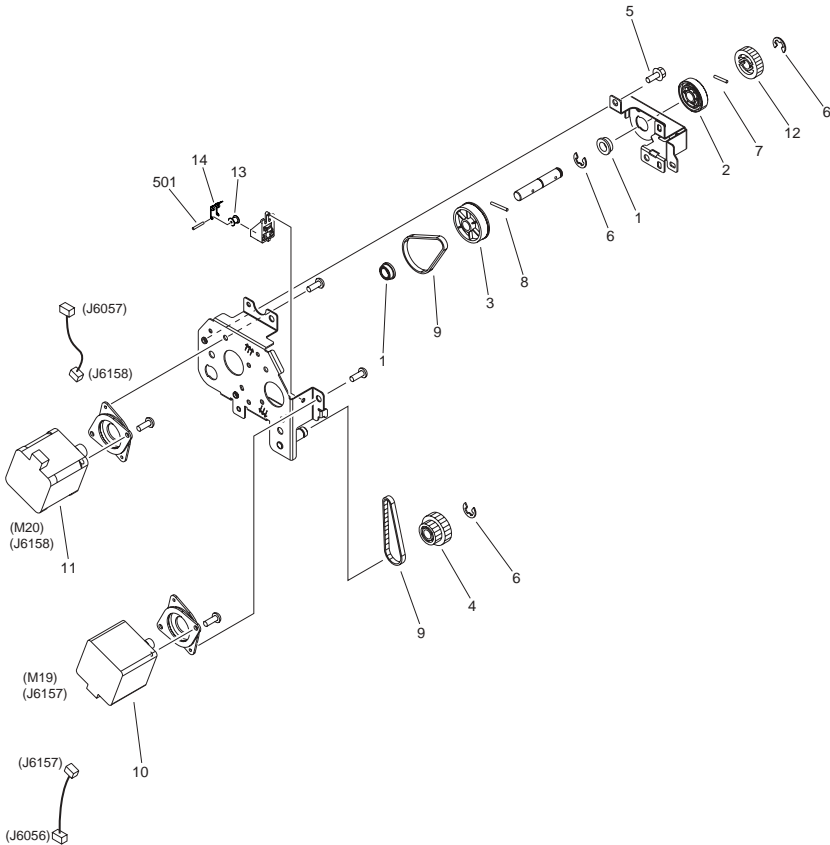




FIGURE & KEY NO.	PARTS NUMBER	R A N K	Q'TY	DESCRIPTION	SERIAL NUMBER/ REMARKS	S V C
Fig.322	FM3-6001-000		1	DUPLEXING REG. DRIVE ASSEMBLY		
1	FA9-2112-000		2	BUSHING, PL		
2	FC8-4733-000		1	ROLLER, SIDE END		
3	FU5-3967-000		1	PULLEY, 50T		
4	FU7-0197-000		1	PULLEY, 30T/GEAR, 24T		
5	XA9-0732-000		2	SCREW,RS,M4		
6	XD9-0137-010		3	RING, E		
7	XD9-0290-000		1	PIN, DOWEL		
8	XD9-0292-000		1	PIN, DOWEL		
9	XF2-1106-940		2	BELT, TIMING		
10	FK2-7327-000		1	MOTOR, STEPPING	M19	
11	FK2-7326-000		1	MOTOR, DC	M20	
12	FU8-0201-000		1	GEAR, 23T		
13	FC9-7919-000		1	ROLLER, TENSION		
14	FU8-2285-000		1	SPRING, TORSION		
501	XD3-2200-122		1	PIN, DOWEL		

FIGURE 323  
SENSOR UNIT,REGISTRATION PATCH

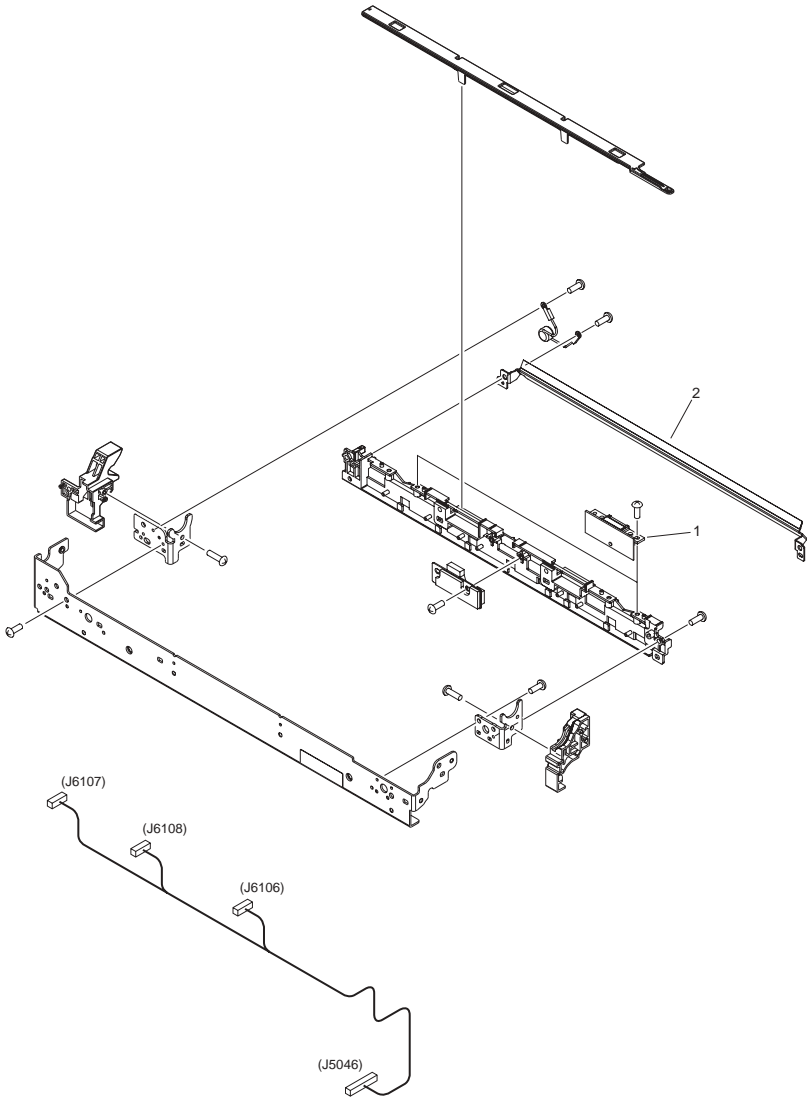


FIGURE & KEY NO.	PARTS NUMBER	RANK	Q'TY	DESCRIPTION	SERIAL NUMBER/REMARKS	SVC
Fig.323	FM3-5944-000		1	SENSOR UNIT,REGISTRATION PATCH		
1	FK2-7315-000		2	SENSOR UNIT, REG. SENSOR		
2	FL2-9535-000		1	GUIDE, PRE-TRANSFER		

# FIGURE 330 RIGHT LOWER DOOR ASSEMBLY

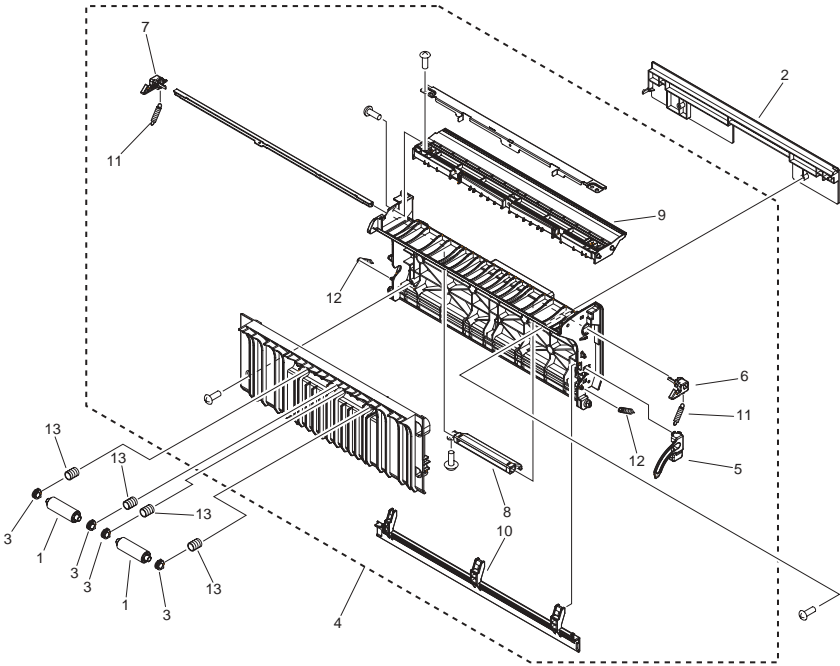
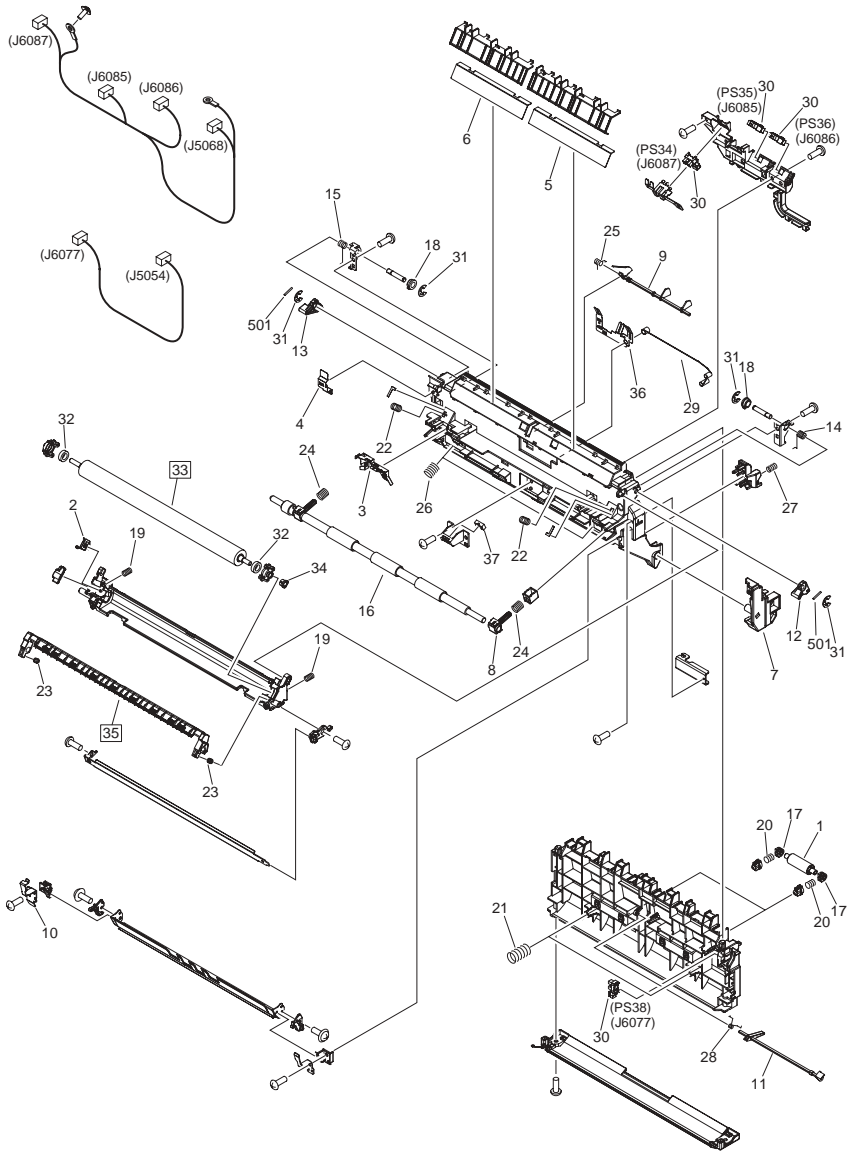


FIGURE & KEY NO.	PARTS NUMBER	R A N K	Q'TY	DESCRIPTION	SERIAL NUMBER/ REMARKS	S V C
Fig.330	FM3-6007-000		1	RIGHT LOWER DOOR ASSEMBLY		
1	FC8-3782-000		2	ROLLER, PAPER FEED		
2	FC8-4861-000		1	COVER, DECK PATH		
3	FU5-1035-000		4	BUSHING		
4	FM3-8894-000		1	RIGHT LOWER DOOR BASE ASSEMBLY		
5	FC8-5164-000		1	STOPPER, DOOR, RIGHT LOWER		
6	FC8-4859-000		1	HOOK, RIGHT LOWER DOOR, F		
7	FC8-4860-000		1	HOOK, RIGHT LOWER DOOR		
8	FC8-4862-000		1	HANDLE, DOOR, RIGHT LOWER		
9	FC8-4863-000		1	PLATE, DECK PATH		
10	FC8-4903-000		1	COVER, DOOR BLANKING, RT. LW.		
11	FU7-2519-000		2	SPRING, TENSION		
12	FU8-2288-000		2	SPRING, TENSION		
13	FU6-2924-000		4	SPRING, COMPRESSION		

# FIGURE 331 RIGHT INNER DOOR ASSEMBLY



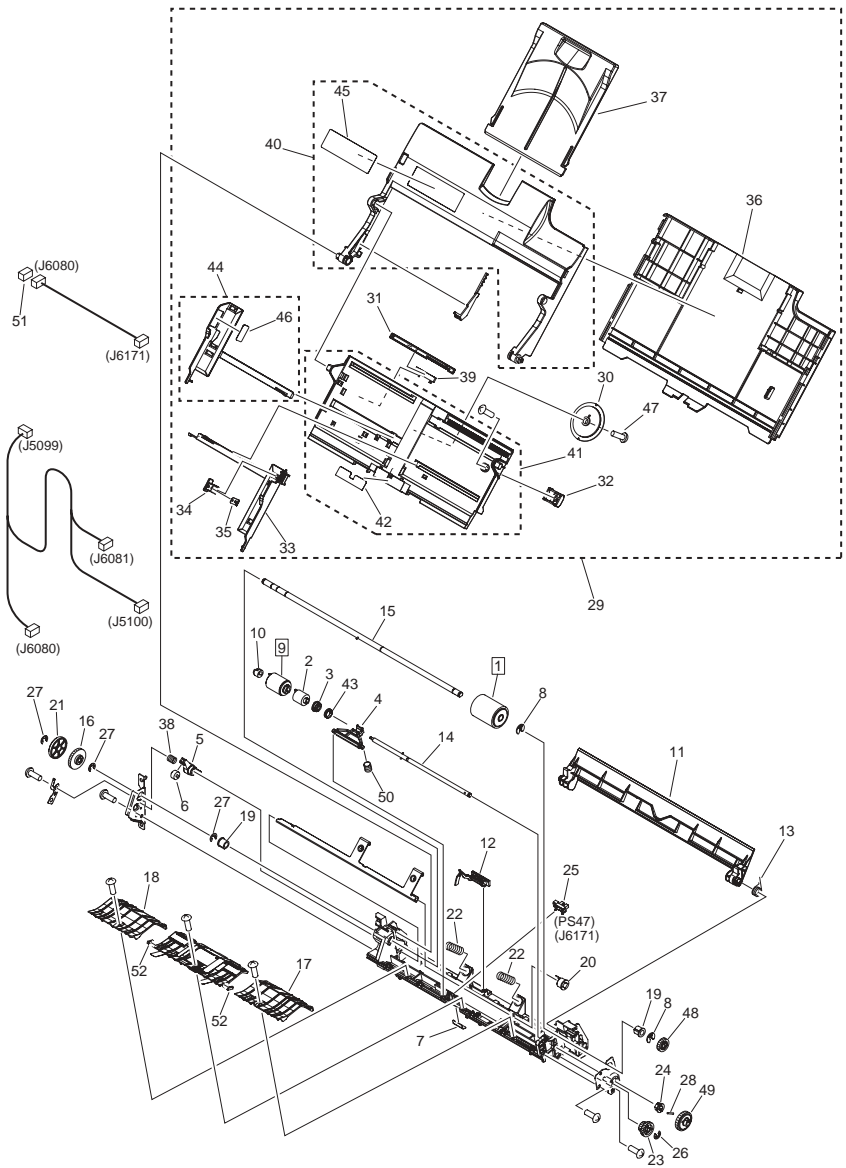
NOTE : This assembly is included in the assembly shown in Figure 102.  
 注:このユニットはFigure 102のユニットに含まれます。

FIGURE & KEY NO.	PARTS NUMBER	R A N K	Q'TY	DESCRIPTION	SERIAL NUMBER/ REMARKS	S V C
Fig.331	FM3-5960-000		1	RIGHT INNER DOOR ASSEMBLY	SEE NOTE	
1	FB6-4873-000		2	ROLLER, PAPER FEED		
2	FC8-4883-000		1	SPRING, GROUNDING		
3	FC8-4885-000		1	SPRING, GROUNDING		
4	FC8-4886-000		1	SPRING, GROUNDING		
5	FC8-4896-000		1	PLATE, ATTRACTION, FRONT		
6	FC8-4901-000		1	PLATE, ATTRACTION, REAR		
7	FC8-5301-000		1	HINGE, INNER DOOR TURN, RIGHT		
8	FC8-5302-000		1	BUSHING		
9	FC8-5303-000		1	LEVER, LOOP SENSOR		
10	FC8-5311-000		1	COVER, RIGHT REAR		
11	FC8-5314-000		1	LEVER, DUPLEXING SENSOR		
12	FC8-5397-000		1	LEVER, R INNER DOOR PRESSURE,F		
13	FC8-5398-000		1	LEVER, R INNER DOOR PRESSURE,R		
14	FC8-5399-000		1	SPRING, TORSION		
15	FC8-5400-000		1	SPRING, TORSION		
16	FL2-9503-000		1	ROLLER, REGISTRATION SOFT		
17	FU5-1035-000		4	BUSHING		
18	FU5-1457-000		2	BUSHING		
19	FU7-2498-000		2	SPRING, COMPRESSION		
20	FU7-2521-000		4	SPRING, COMPRESSION		
21	FU7-2522-000		2	SPRING, COMPRESSION		
22	FU7-2523-000		2	SPRING, COMPRESSION		
23	FU7-2524-000		2	SPRING, COMPRESSION		
24	FU7-2525-000		2	SPRING, COMPRESSION		
25	FU7-2526-000		1	SPRING, TORSION		
26	FU7-2535-000		2	SPRING, COMPRESSION		
27	FU7-2536-000		1	SPRING, COMPRESSION		
28	FU7-2537-000		1	SPRING, TORSION		
29	FU8-2293-000		1	SPRING, GROUNDING		
30	WG8-5848-000		4	PHOTO-INTERRUPTER,GP1A173LCS0F	PS34,PS35,PS36,PS38	
31	XD9-0136-000		4	RING,E		

FIGURE & KEY NO.	PARTS NUMBER	RANK	Q'TY	DESCRIPTION	SERIAL NUMBER/REMARKS	SVC
32	XG9-0481-000		2	BEARING, BALL, SMR106H26ZZ1MC3		
33	FC8-4876-000		1	ROLLER, 2ND TRNSFR. OUTER	[DP]	
34	FC8-4884-000		1	BUSHING		
35	FM3-8893-000		1	TRANSFER SEP. GUIDE ASSEMBLY	[DP]	
36	FC8-4897-000		1	SPRING, LEAF		
37	RB2-5850-000		1	PRISM		
501	XD3-2200-162		2	PIN, DOWEL		



# FIGURE 332 M.P. PICK UP MOUNT ASSEMBLY



NOTE : This assembly is included in the assembly shown in Figure 102.  
 注:このユニットはFigure 102のユニットに含まれます。

FIGURE & KEY NO.	PARTS NUMBER	R A N K	Q'TY	DESCRIPTION	SERIAL NUMBER/ REMARKS	S V C
Fig.332	FM3-6013-000		1	M.P. PICK UP MOUNT ASSEMBLY	SEE NOTE	
1	FB1-8581-000		1	ROLLER, PAPER PICK-UP	[DP]	
2	FB6-3410-000		1	LIMITER, TORQUE		
3	FB6-3463-000		1	CLUTCH		
4	FB6-3464-000		1	HOLDER, SEPARATION ROLLER		
5	FB6-3466-000		1	CAM, JOINT		
6	FC5-5078-000		1	ROLLER, ARM		
7	FC5-8556-000		1	SHEET, LIGHT-BLOCKING		
8	FC6-5046-000		2	RING, RETAINING		
9	FC6-6661-000		1	ROLLER, SEPARATION	[DP]	
10	FC8-0785-000		1	HEAD, SEPARATION ROLLER SHAFT		
11	FC8-5105-000		1	COVER, SUB		
12	FC8-5344-000		1	FLAG,M.F.PAPER PRESENCE		
13	FC8-5389-000		1	SPRING, TORSION		
14	FL2-9493-000		1	SHAFT, ROLLER		
15	FL2-9495-000		1	SHAFT, ROLLER		
16	FL3-3180-000		1	GEAR ASSEMBLY		
17	FC8-5094-000		1	GUIDE, PAPER FEED, RIGHT		
18	FC8-5095-000		1	GUIDE, PAPER FEED, LEFT		
19	FS2-1544-000		2	BUSHING		
20	FS6-1058-000		1	BUSHING		
21	FU5-6861-000		1	ROLLER, D INPUT SWING GEAR FOR		
22	FU7-2476-000		2	SPRING, COMPRESSION		
23	FU8-0182-000		1	GEAR, 18T/27T		
24	RS5-1567-000		1	BUSHING		
25	WG8-5783-000		1	IC,PHOTO-INTERRUPTER,LG248NL1A	PS47	
26	XD9-0134-000		1	RING,E		
27	XD9-0137-010		3	RING, E		
28	XD9-0290-000		1	PIN, DOWEL		
29	FM3-6014-000		1	MULTI PAPER PICK-UP TRAY ASS'Y		
30	FB6-3456-000		1	GEAR, 46T/20T		
31	FB6-3457-000		1	RACK		

FIGURE & KEY NO.	PARTS NUMBER	R A N K	Q'TY	DESCRIPTION	SERIAL NUMBER/ REMARKS	S V C
32	FB6-3459-000		1	BLOCK, SIDE REGIST. ADJUSTING		
33	FC8-2710-000		1	PLATE, PAPER SIDE END, FRONT		
34	FC8-2712-000		1	STOPPER, SIDE		
35	FC8-2713-000		1	SPRING, LEAF		
36	FC8-5100-000		1	COVER, MULTI TRAY, LOWER		
37	FL3-4254-000		1	TRAY, SECOND		
38	FU6-2927-000		1	SPRING, COMPRESSION		
39	FH7-7600-010		1	SLIDE VOLUME SENSOR UNIT		
40	FL3-3171-000		1	COVER, MULTI TRAY, UPPER		
41	FL3-3172-000		1	PLATE, MULTI PRESSURE		
42	FB6-4937-000		1	SHEET, SEPARATION		
43	FC7-5167-000		1	SPRING, TORSION		
44	FL3-3173-000		1	PLATE, PAPER SIDE END, REAR		
45	FC9-7164-000		1	LABEL, FEED INSTRUCTION		
46	FC9-7165-000		1	LABEL, MAXIMUM LOAD		
47	XA9-1523-000		1	SCREW, B, M4X8		
48	FU3-0296-000		1	GEAR, 24T		
49	FU3-0297-000		1	GEAR, 36T		
50	FU6-2925-000		1	SPRING, COMPRESSION		
51	VS1-7177-003		1	CONNECTOR, SNAP TIGHT, BK		
52	FC0-0213-000		2	SPACER, NOISE-PROOF		

# FIGURE 333 RIGHT LOWER INNER DOOR ASS'Y

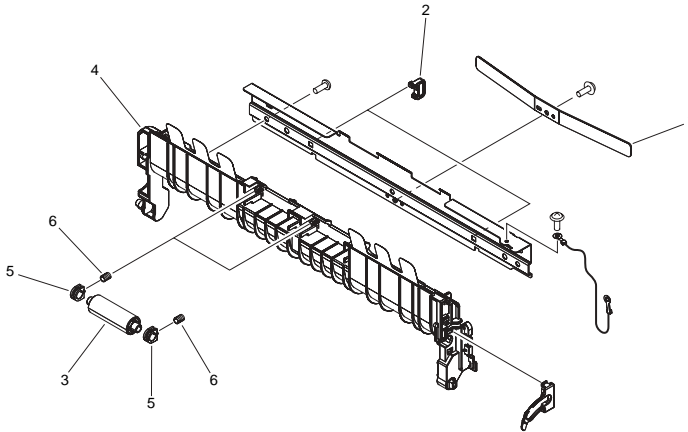


FIGURE & KEY NO.	PARTS NUMBER	R A N K	QTY	DESCRIPTION	SERIAL NUMBER/ REMARKS	S V C
Fig.333	FM3-6015-000		1	RIGHT LOWER INNER DOOR ASS'Y		
1	FC7-5906-000		1	SPRING, LEAF		
2	FC7-5907-000		2	SPRING, GROUNDING		
3	FC8-3782-000		2	ROLLER, PAPER FEED		
4	FL3-3570-000		1	DOOR, INNER, RIGHT LOWER		
5	FU5-1035-000		4	BUSHING		
6	FU6-2924-000		4	SPRING, COMPRESSION		

# FIGURE 350 FIRST PAPER DELIVERY ASSEMBLY

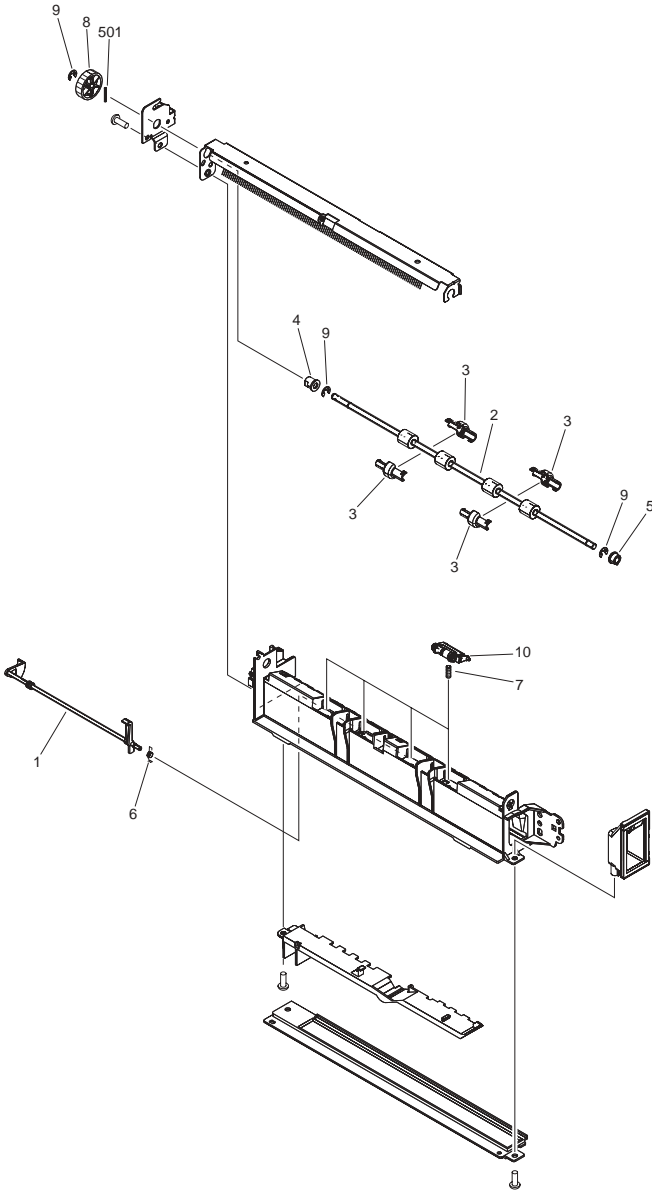
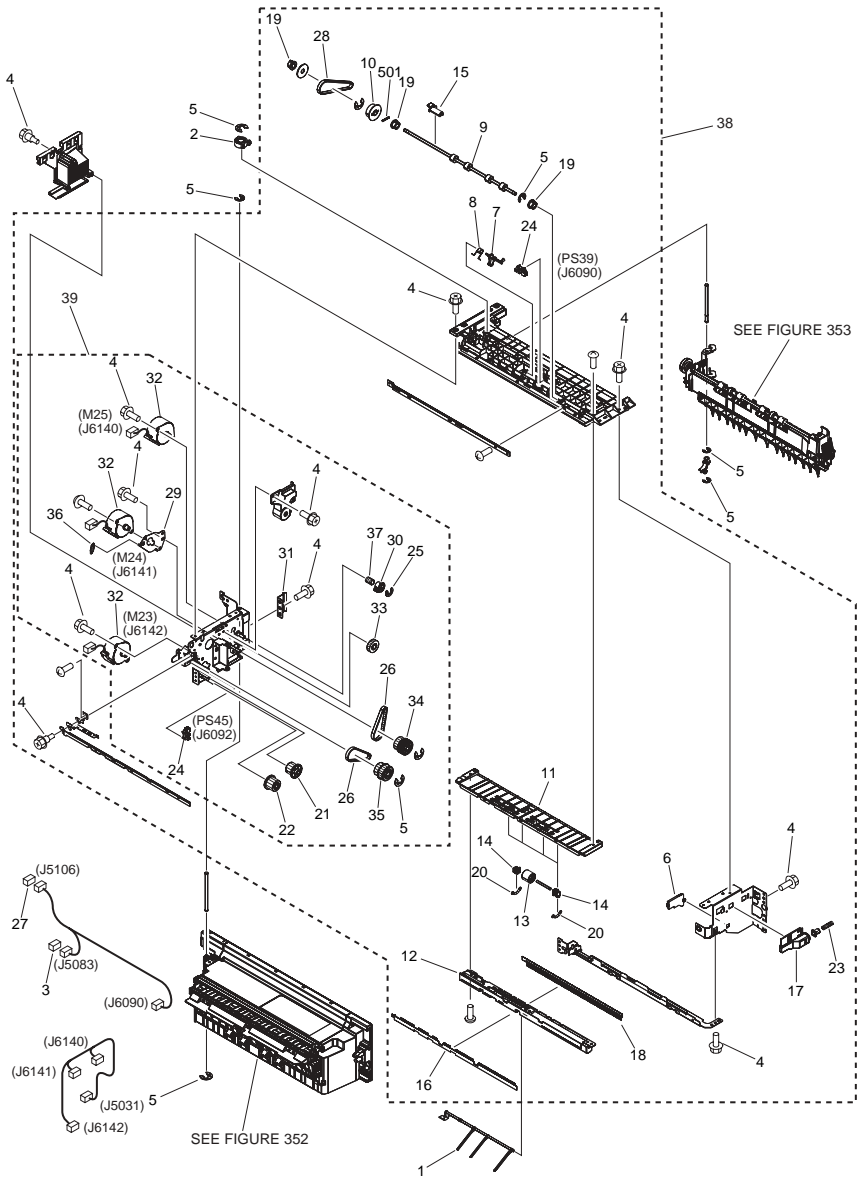


FIGURE & KEY NO.	PARTS NUMBER	R A N K	Q'TY	DESCRIPTION	SERIAL NUMBER/ REMARKS	S V C
Fig.350	FM3-5977-000		1	FIRST PAPER DELIVERY ASSEMBLY		
1	FC5-0799-010		1	FLAG, 1ST DELIVERY SENSOR		
2	FC5-0800-000		1	ROLLER, PAPER DELIVERY		
3	FC5-0805-000		4	ROLLER, REFORM		
4	FS1-1596-000		1	BUSHING, POM		
5	FS5-1943-000		1	BUSHING		
6	FU5-2068-030		1	SPRING, TORSION		
7	FU5-2074-000		4	SPRING, COMPRESSION		
8	FU8-0195-000		1	GEAR, 30T		
9	XD9-0136-000		3	RING,E		
10	FM3-0006-000		4	PAPER DELIVERY ROLLER ASSEMBLY		
501	XD3-2200-162		1	PIN, DOWEL		

# FIGURE 351 2ND/3RD PAPER DELIVERY ASS'Y



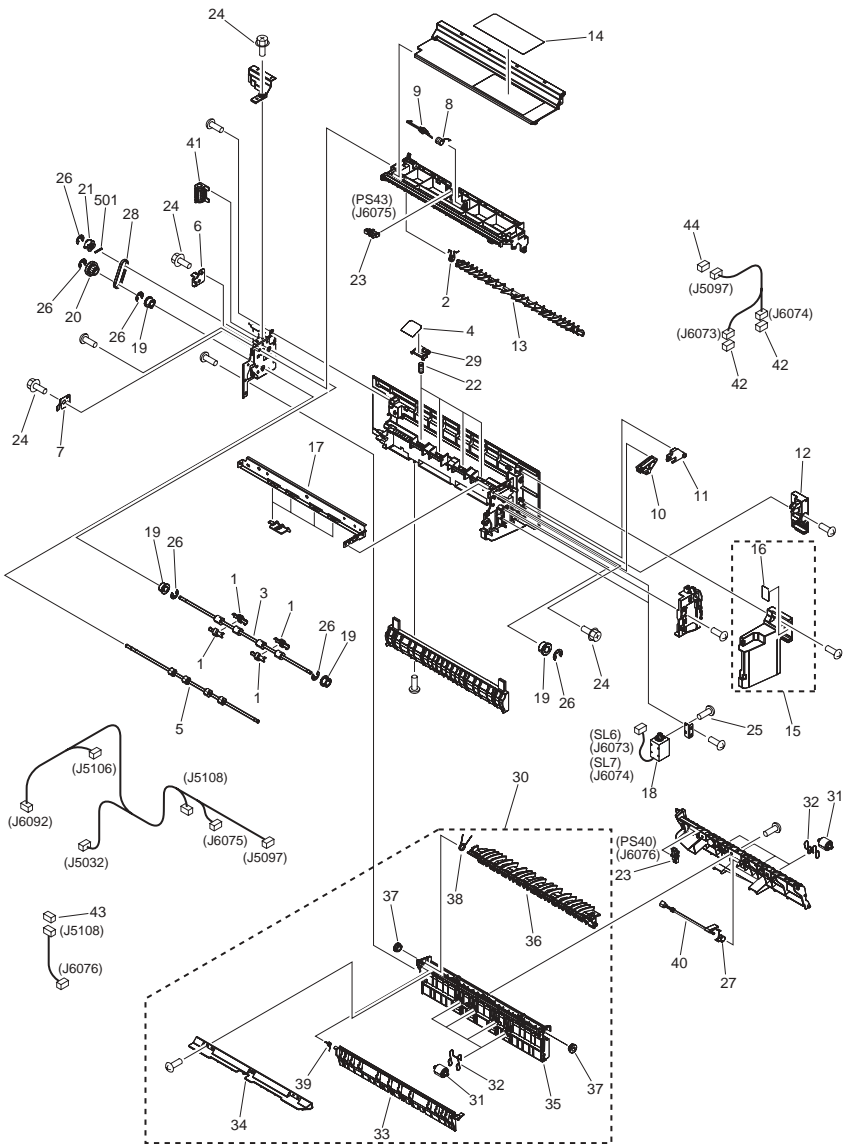
NOTE : This assembly includes the assemblies shown in Figure 352, and 353.  
 注 : このユニットはFigure 352, 353のユニットを含みます。

FIGURE & KEY NO.	PARTS NUMBER	R A N K	Q'TY	DESCRIPTION	SERIAL NUMBER/ REMARKS	S V C
Fig.351	FM3-5999-000		1	2ND/3RD PAPER DELIVERY ASS'Y	SEE NOTE	
1	FC8-4752-000		1	LEVER,2ND DELIVERY FULL DETECT		
2	FC8-4779-000		1	LATCH		
3	VS1-7177-005		1	CONNECTOR, SNAP TIGHT, BK		
4	XA9-1386-000		19	SCREW,RS,M3X8		
5	XD9-0136-000		7	RING,E		
6	FC5-0870-000		1	GUIDE, SLIDE		
7	FC5-0987-000		1	FLAG, REVERSE SENSOR		
8	FC5-0988-000		1	SPRING, TORSION		
9	FC5-0989-020		1	ROLLER, REVERSE		
10	FC5-9719-000		1	PULLEY		
11	FC8-4742-000		1	GUIDE, REVERSE		
12	FC8-4743-000		1	HOLDER, ELIMINATOR		
13	FC8-4749-000		4	ROLLER, REVERSE		
14	FC8-4751-000		8	BUSHING		
15	FC8-4769-000		1	STOPPER		
16	FC8-4784-000		1	ELIMINATOR, STATIC CHARGE		
17	FC8-4797-000		1	RAIL, GUIDE		
18	FC8-4932-000		1	ELIMINATOR, STATIC CHARGE		
19	FS5-1943-000		3	BUSHING		
20	FU7-2446-000		8	SPRING, TENSION		
21	FU8-0198-000		1	GEAR, 15T		
22	FU8-0199-000		1	GEAR, 16T		
23	FU8-2284-000		1	SPRING, COMPRESSION		
24	WG8-5848-000		2	PHOTO-INTERRUPTER,GP1A173LCS0F	PS39,PS45	
25	XD9-0134-000		1	RING,E		
26	XF2-1105-740		2	BELT, TIMING		
27	VS1-7177-008		1	CONNECTOR, SNAP TIGHT, BK		
28	XF2-1107-640		1	BELT, TIMING		
29	FC8-4928-000		1	PLATE, REVERSE MOTOR POSITION		
30	FC8-4930-000		1	SPACER, SLIDE		
31	FC8-5131-000		1	SPRING, LEAF		



FIGURE & KEY NO.	PARTS NUMBER	RANK	Q'TY	DESCRIPTION	SERIAL NUMBER/REMARKS	SVC
32	FK2-7304-000		3	MOTOR	M23,M24,M25	
33	FU8-0079-000		1	GEAR, 20T		
34	FU8-0150-000		1	PULLEY, 30T		
35	FU8-0197-000		1	PULLEY/GEAR, 30T/24T		
36	FU8-2283-000		1	SPRING, TENSION		
37	FU8-2286-000		1	SPRING, COMPRESSION		
38	FM3-6002-000		1	2/3 PAPER DELIVERY FRAME ASS'Y		
39	FM3-6003-000		1	2ND/3RD DELIVERY DRIVE ASS'Y		
501	XD3-2200-122		1	PIN, DOWEL		

# FIGURE 352 THIRD PAPER DELIVERY ASSEMBLY

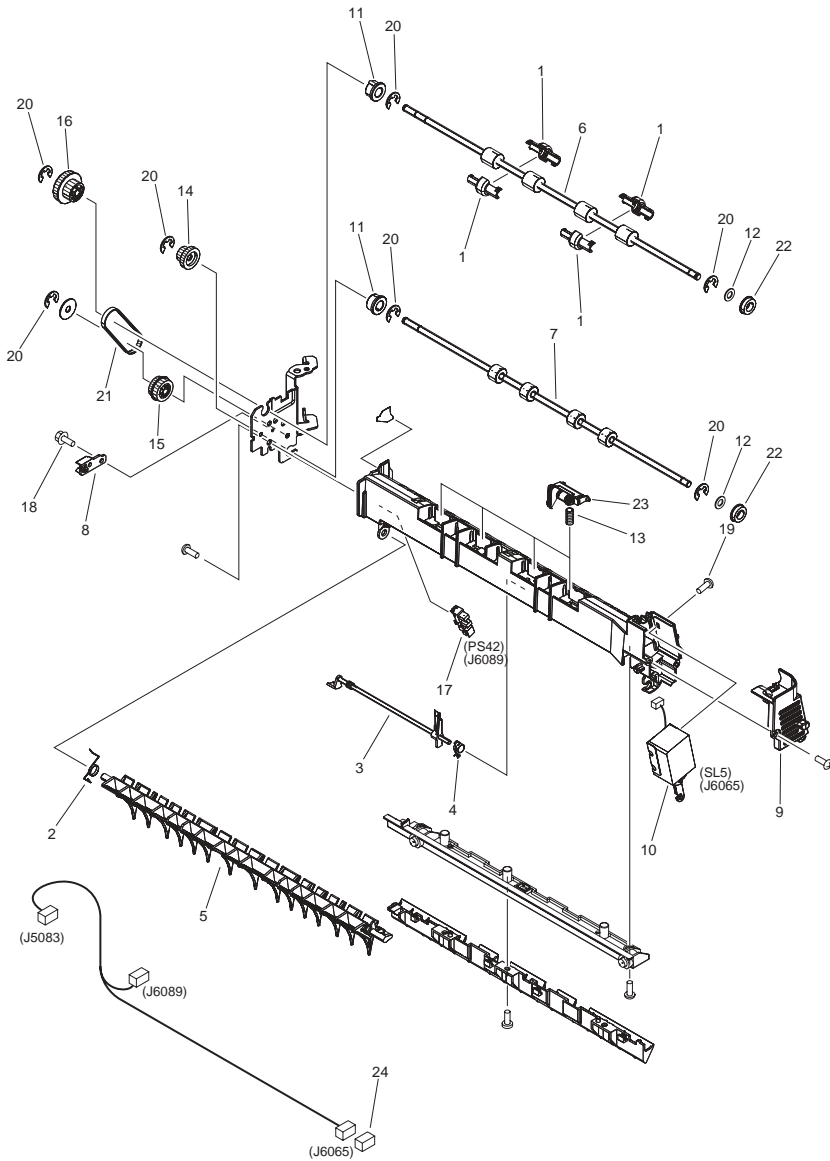


NOTE 1: This assembly is included in the assembly shown in Figure 351.  
 NOTE 2: This assembly does not include the part shown with key No. 41.  
 注1: このユニットはFigure 351のユニットに含まれます。  
 注2: このユニットにKey No. 41の部品は含まれません。

FIGURE & KEY NO.	PARTS NUMBER	R A N K	Q'TY	DESCRIPTION	SERIAL NUMBER/ REMARKS	S V C
Fig.352	FM3-5963-000		1	THIRD PAPER DELIVERY ASSEMBLY	SEE NOTE	
1	FC5-0805-000		4	ROLLER, REFORM		
2	FC5-0977-000		1	SPRING, TORSION		
3	FC5-1020-020		1	ROLLER, 3RD DELIVERY		
4	FC5-6012-010		4	SHEET,HOLDER		
5	FC8-4783-000		1	ROLLER, DUPLEXING ENTRANCE		
6	FC8-4929-000		1	BLOCK, FIXED RELEASE		
7	FC8-4933-000		1	SPRING, LEAF		
8	FC8-5111-000		1	SPRING, TORSION		
9	FC8-5112-000		1	FLAG, THIRD DELIVERY SENSOR		
10	FC8-5117-000		1	ARM, 2ND DEL. FLAPPER SOLENOID		
11	FC8-5118-000		1	ARM, 3RD DEL. FLAPPER SOLENOID		
12	FC8-5120-000		1	HOOK, 2ND/3RD PAPER DELIVERY		
13	FL2-9510-000		1	FLAPPER, THIRD PAPER DELIVERY		
14	FC8-4777-000		1	LABEL, JAM OPERATION		
15	FL3-1125-000		1	COVER, SOLENOID, 1		
16	FC8-4776-000		1	LABEL, HANDLE		
17	FL3-1167-000		1	CROSSMEMBER		
18	FL3-1169-000		2	SOLENOID	SL6,SL7	
19	FS5-1943-000		4	BUSHING		
20	FU5-3018-000		1	PULLEY, 30T/GEAR, 35T		
21	FU5-3021-000		1	PULLEY, 30T		
22	FU7-2512-000		4	SPRING, COMPRESSION		
23	WG8-5848-000		2	PHOTO-INTERRUPTER,GP1A173LCS0F	PS40,PS43	
24	XA9-1386-000		4	SCREW,RS,M3X8		
25	XA9-1659-000		4	SCREW,M3X4		
26	XD9-0136-000		6	RING,E		
27	FC5-1006-000		1	SPRING, TORSION		
28	XF2-4107-240		1	BELT, TIMING		
29	FM3-0006-000		4	PAPER DELIVERY ROLLER ASSEMBLY		
30	FM3-5964-000		1	INTERMEDIATE GUIDE ASSEMBLY		
31	FC5-1013-000		8	ROLLER		

FIGURE & KEY NO.	PARTS NUMBER	R A N K	Q'TY	DESCRIPTION	SERIAL NUMBER/ REMARKS	S V C
32	FC5-1014-000		8	SPRING	SEE NOTE	
33	FC8-4770-000		1	FLAPPER, 2ND DELIVERY ENTRANCE		
34	FC8-4771-000		1	GUIDE,DUPLEXING ENTRANCE,UPPER		
35	FL3-1115-000		1	GUIDE, 2ND DEL. ENTRANCE INNER		
36	FL3-1126-000		1	FLAPPER, REVERSE		
37	FS5-1377-000		2	BUSHING		
38	FU7-2510-000		1	SPRING, TORSION		
39	FU7-2511-000		1	SPRING, TORSION		
40	FC5-1005-000		1	FLAG, DUPLEX ENTRANCE SENSOR		
41	FC8-4927-000		1	LATCH		
42	VS1-7177-002		2	CONNECTOR, SNAP TIGHT, BK		
43	VS1-7177-003		1	CONNECTOR, SNAP TIGHT, BK		
44	VS1-7177-004		1	CONNECTOR, SNAP TIGHT, BK		
501	XD3-2200-122		1	PIN, DOWEL		

# FIGURE 353 SECOND PAPER DELIVERY ASSEMBLY



NOTE : This assembly is included in the assembly shown in Figure 351.  
 注 : このユニットはFigure 351のユニットに含まれます。

FIGURE & KEY NO.	PARTS NUMBER	R A N K	Q'TY	DESCRIPTION	SERIAL NUMBER/ REMARKS	S V C
Fig.353	FM3-5965-000		1	SECOND PAPER DELIVERY ASSEMBLY	SEE NOTE	
1	FC5-0805-000		4	ROLLER, REFORM		
2	FC5-0974-000		1	SPRING, TORSION		
3	FC5-0996-000		1	FLAG, 2ND DELIVERY SENSOR		
4	FC5-0997-000		1	SPRING, TORSION		
5	FC8-4773-000		1	FLAPPER, FIRST PAPER DELIVERY		
6	FC8-4782-000		1	ROLLER, SECOND PAPER DELIVERY		
7	FC8-4789-000		1	ROLLER, SECOND VERTICAL PATH		
8	FC8-5128-000		1	GUIDE, SHAFT POSITIONING		
9	FC8-5130-000		1	HANDLE, SECOND PAPER DELIVERY		
10	FL3-4274-000		1	SOLENOID	SL5	
11	FS5-1943-000		2	BUSHING		
12	FS5-6488-000		2	WASHER		
13	FU5-2074-000		4	SPRING, COMPRESSION		
14	FU5-0076-000		1	GEAR, 24T		
15	FU5-3020-000		1	GEAR, 24T/PULLEY, 30T		
16	FU8-0196-000		1	GEAR, 30T		
17	WG8-5848-000		1	PHOTO-INTERRUPTER,GP1A173LCS0F	PS42	
18	XA9-1386-000		1	SCREW,RS,M3X8		
19	XA9-1659-000		2	SCREW,M3X4		
20	XD9-0136-000		7	RING,E		
21	XF2-4107-940		1	BELT, TIMING, COGGED		
22	XG9-0520-000		2	BEARING, BALL, MF106ZZS		
23	FM3-0006-000		4	PAPER DELIVERY ROLLER ASSEMBLY		
24	VS1-7177-002		1	CONNECTOR, SNAP TIGHT, BK		

# FIGURE 460 LASER ASSEMBLY

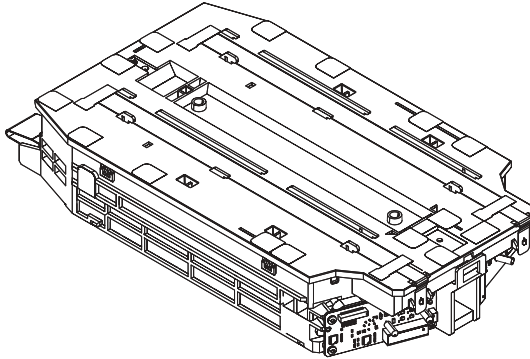
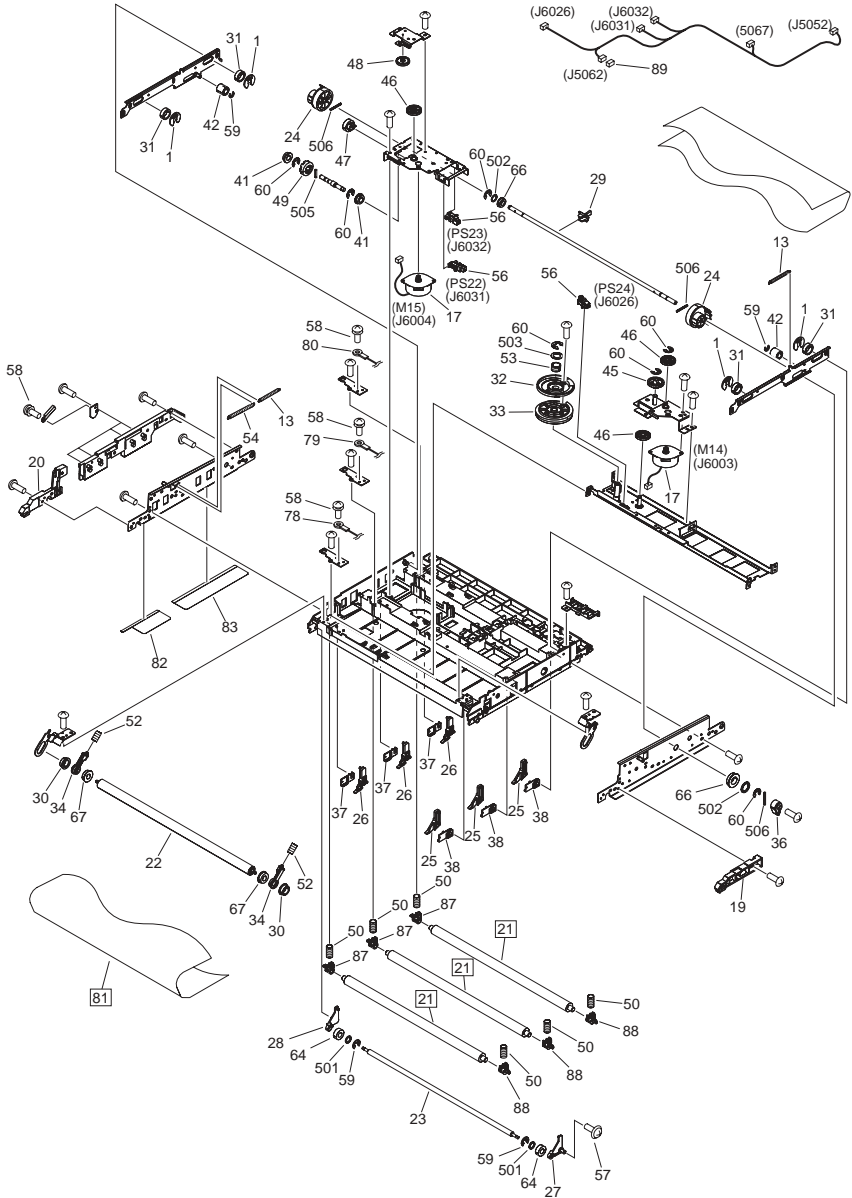
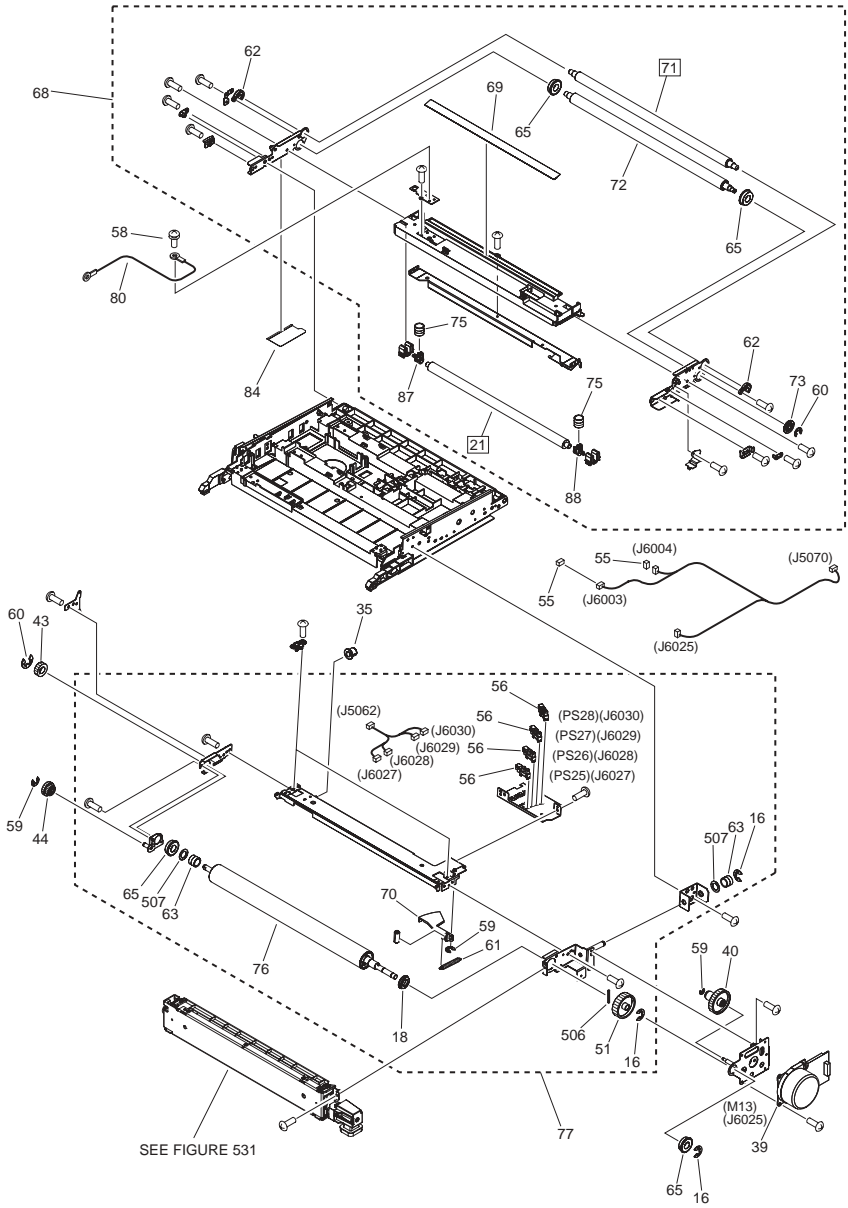


FIGURE & KEY NO.	PARTS NUMBER	RANK	QTY	DESCRIPTION	SERIAL NUMBER/REMARKS	SVC
Fig.460	FM3-5420-000		2	LASER ASSEMBLY	iR-ADV C5051,5045 SERIES	
Fig.460	FM3-5425-000		2	LASER ASSEMBLY	iR-ADV C5035,5030 SERIES	

**FIGURE 530**  
**INTER. TRANSFER BELT ASS'Y**







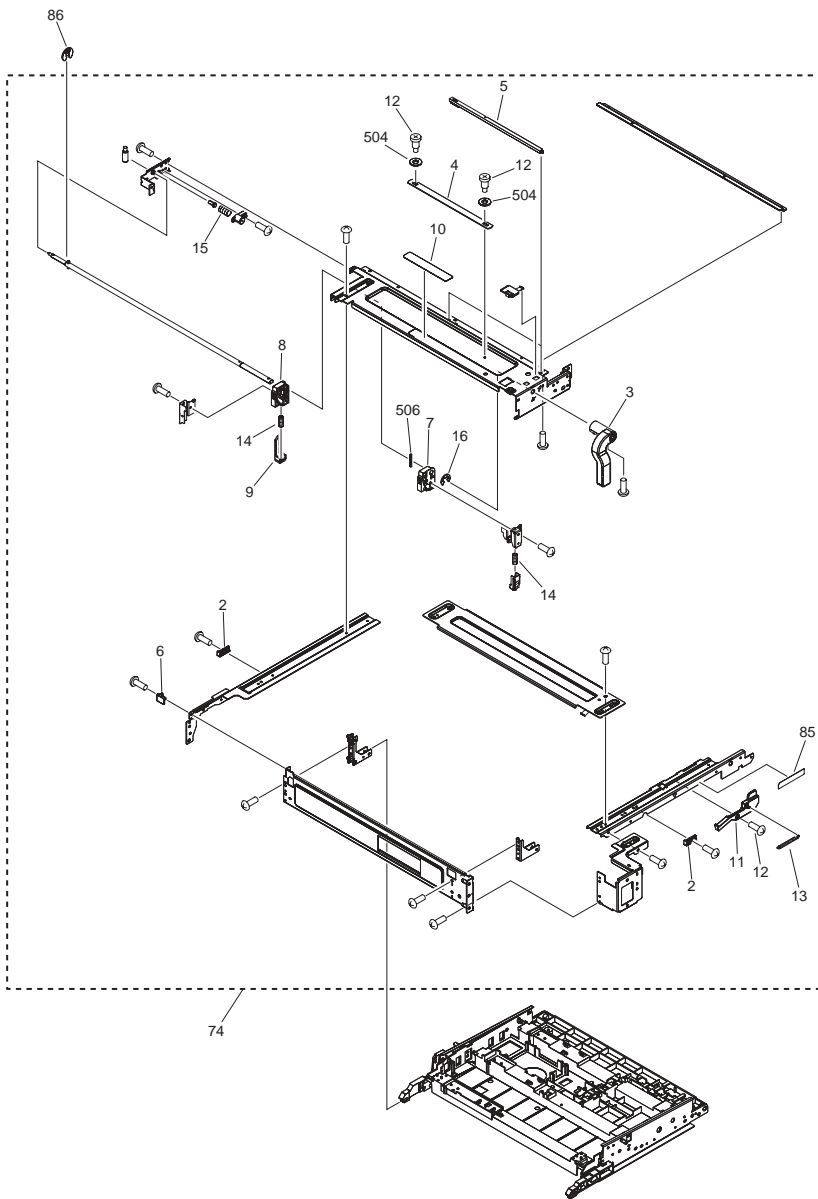


FIGURE & KEY NO.	PARTS NUMBER	R A N K	Q'TY	DESCRIPTION	SERIAL NUMBER/ REMARKS	S V C
Fig.530	NPN		1	INTER. TRANSFER BELT ASSY		
1	FC6-5046-000		4	RING, RETAINING		
2	FC8-4386-000		2	GUIDE, LIFT		
3	FC8-4394-000		1	LEVER		
4	FC8-4427-000		1	BAND		
5	FC8-4431-000		2	SLIDER		
6	FC8-4433-000		1	BLOCK, SLIDER		
7	FC8-4434-000		1	CAM, LIFT, FRONT		
8	FC8-4435-000		1	CAM, LIFT, REAR		
9	FC8-4436-000		1	SLIDER, PUSH		
10	FC8-4458-000		1	LABEL, I.T.BELT CAUTION, S		
11	FC8-4491-000		1	ARM, LOCK		
12	FS1-9010-020		3	SCREW, STEPPED, M3		
13	FU7-2451-000		3	SPRING, TENSION		
14	FU7-2453-000		2	SPRING, COMPRESSION		
15	FU7-2454-000		1	SPRING, COMPRESSION		
16	XD9-0137-010		4	RING, E		
17	FK2-7365-000		2	MOTOR, STEPPING	M14,M15	
18	XG9-0731-000		1	BUSHING		
19	FC8-4395-000		1	ARM, TRANSFER, FRONT		
20	FC8-4396-000		1	ARM, TRANSFER, REAR		
21	FC8-4401-000		4	ROLLER, PRIMARY TRANSFER	[DP]	
22	FC8-4404-000		1	ROLLER, TENSION		
23	FC8-4406-000		1	ROLLER, 1ST TRNSFR. AUXILIARY		
24	FC8-4414-000		2	CAM, DESORPTION		
25	FC8-4419-000		3	ARM, DESORPTION, FRONT		
26	FC8-4420-000		3	ARM, DESORPTION, REAR		
27	FC8-4421-000		1	PLATE,DESORPTION ARM AUX.,FR.		
28	FC8-4422-000		1	PLATE,DESORPTION ARM AUX.,REAR		
29	FC8-4423-000		1	FLAG, DESORPTION SENSOR		
30	FC8-4455-000		2	ROLLER, TENSION SLIDER		
31	FC8-4456-000		4	ROLLER, DESORPTION SLIDE		

FIGURE & KEY NO.	PARTS NUMBER	R A N K	Q'TY	DESCRIPTION	SERIAL NUMBER/ REMARKS	S V C	
32	FC8-4474-000		1	CAM, STEERING, UPPER	M13		
33	FC8-4475-000		1	CAM, STEERING, LOWER			
34	FC8-4479-000		2	BUSHING			
35	FC8-4487-000		1	ROLLER, CAM			
36	FC8-4490-000		1	CAM, LOCK			
37	FC8-4492-000		3	STOPPER,1ST TRNSFR. BUSHING,R			
38	FC8-4493-000		3	STOPPER,1ST TRNSFR. BUSHING,F			
39	FK2-7300-000		1	MOTOR, DC			
40	FL2-9460-000		1	GEAR ASSEMBLY			
41	FS1-1508-000		2	BUSHING			
42	FS5-6948-000		2	COLLAR, RAIL			
43	FU3-0267-000		1	GEAR, 18T			
44	FU3-0343-000		1	GEAR, 28T/28T			
45	FU6-0071-000		1	GEAR, 53T/20T			
46	FU6-0147-000		3	GEAR, 48T			
47	FU6-0681-000		1	GEAR, 15T			
48	FU6-0686-000		1	GEAR, 11T/43T			
49	FU6-0695-000		1	GEAR, 26T			
50	FU7-2450-000		6	SPRING, COMPRESSION			
51	FU8-0141-000		1	GEAR, 72T			
52	FU7-2452-000		2	SPRING, TENSION			
53	FU7-2507-000		1	SPRING, COMPRESSION			
54	FU7-2517-000		1	SPRING, TENSION			
55	VS1-7177-004		2	CONNECTOR, SNAP TIGHT, BK			
56	WG8-5848-000		7	PHOTO-INTERRUPTER,GP1A173LCS0F			PS22,PS23,PS24,PS25,P S26,PS27,PS28
57	XA9-0476-000		2	SCREW,TP M3X8			
58	XA9-1932-000		8	SCREW, WWASHER, M3X6			
59	XD9-0134-000		7	RING,E			
60	XD9-0136-000		9	RING,E			
61	FU7-2508-000		1	SPRING, TENSION			
62	FL3-1109-000		2	HOLDER, 2ND TRNSFR. BUSHING			

FIGURE & KEY NO.	PARTS NUMBER	R A N K	Q'TY	DESCRIPTION	SERIAL NUMBER/ REMARKS	S V C
63	FU7-2462-000		2	SPRING, COMPRESSION		
64	XG9-0414-000		2	BEARING, BALL		
65	XG9-0508-000		4	BEARING, BALL, F688ZZ		
66	XG9-0520-000		2	BEARING, BALL, MF106ZZS		
67	XG9-0594-000		2	BEARING, BALL, MF126ZZ		
68	FM3-6119-000		1	SECONDARY TRANSFER INNER ASS'Y		
69	FC8-4398-000		1	SCRAPER, BELT		
70	FC8-4480-000		1	FLAG, BELT EDGE SENSOR		
71	FC8-4402-000		1	ROLLER, 2ND TRNSFR. INNER	[DP]	
72	FC8-4405-000		1	ROLLER, IDLER		
73	FC8-4449-000		1	FLANGE		
74	FM3-6116-000		1	TRANSFER OUTER FRAME ASSEMBLY		
75	FU7-2449-000		2	SPRING, COMPRESSION		
76	FC8-4403-000		1	ROLLER, DRIVE		
77	FM3-8914-000		1	I.T.BELT DRIVE ASSEMBLY		
78	FM3-7854-000		1	CABLE, PRIMARY TRANSFER H.V. Y		
79	FM3-7855-000		1	CABLE, PRIMARY TRANSFER H.V. M		
80	FM3-7856-000		2	CABLE, PRIMARY TRANSFER H.V. CK		
81	FC8-4400-000		1	BELT, INTER. TRANSFER	[DP]	
82	FC9-7914-000		1	SHEET, BELT RETAINING, A		
83	FC9-7915-000		1	SHEET, BELT RETAINING, B		
84	FC9-7916-000		1	SHEET, BELT RETAINING, C		
85	FC9-7926-000		1	LABEL, I.T.B. DESORPTION CAUTION		
86	FB6-6088-000		1	RING, RETAINING		
87	FC8-4383-000		4	BUSHING		
88	FC8-4387-000		4	BUSHING		
89	VS1-7177-012		1	CONNECTOR, SNAP TIGHT, BK		
501	XD1-1104-115		2	WASHER, COP		
502	XD1-1106-215		2	WASHER, COP		
503	XD1-1108-225		1	WASHER, COP		
504	XD1-2100-407		2	WASHER, PLAIN		
505	XD3-2200-102		1	PIN, DOWEL		

FIGURE & KEY NO.	PARTS NUMBER	R A N K	Q'TY	DESCRIPTION	SERIAL NUMBER/ REMARKS	S V C
506	XD3-2200-162		5	PIN, DOWEL		
507	XD1-1208-225		2	WASHER, PLAIN		

# FIGURE 531 TRANSFER CLEANER ASSEMBLY

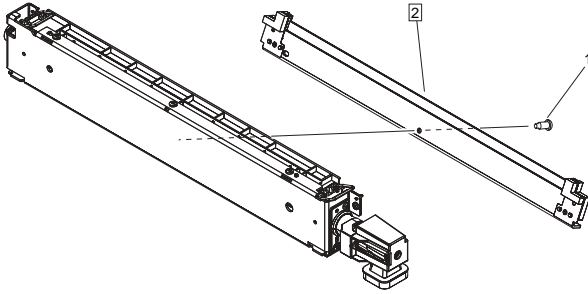
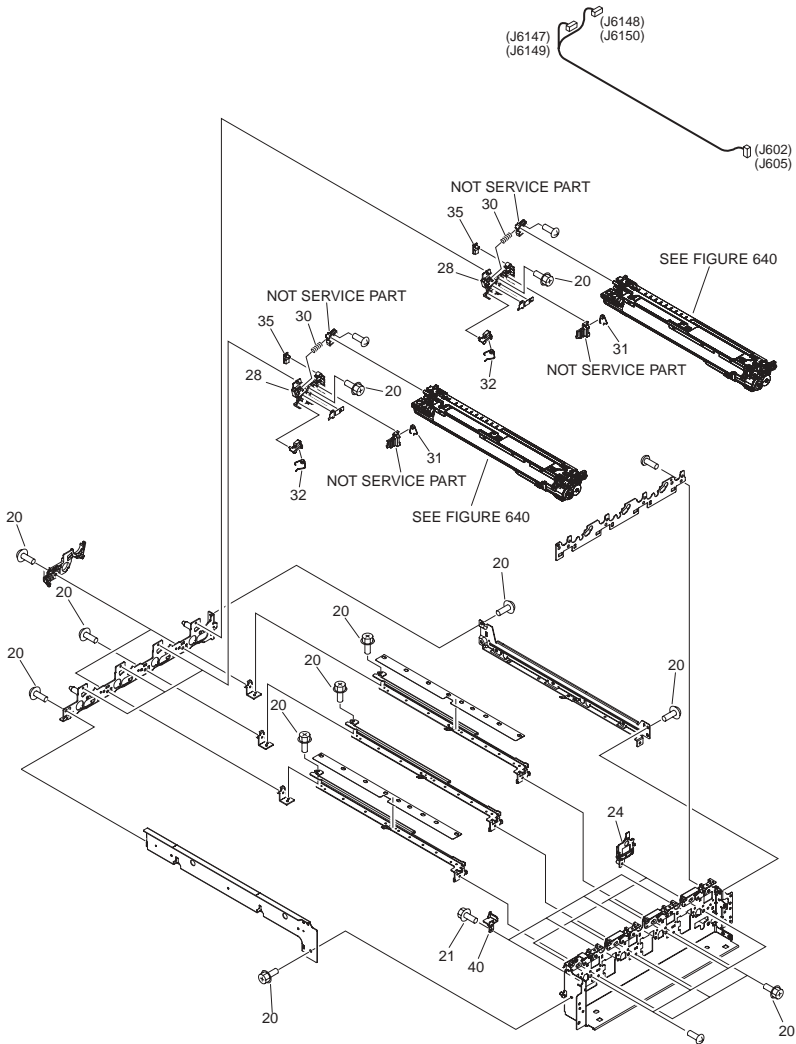


FIGURE & KEY NO.	PARTS NUMBER	RANK	QTY	DESCRIPTION	SERIAL NUMBER/REMARKS	SVC
Fig.531	FM3-5932-000		1	TRANSFER CLEANER ASSEMBLY		
1	FU5-9737-000		1	SCREW, STEPPED, M4X6.5		
2	FM3-6018-000		1	BLADE, TRANSFER CLEANING	[DP]	

# FIGURE 600 PROCESS-KIT FRAME ASSEMBLY





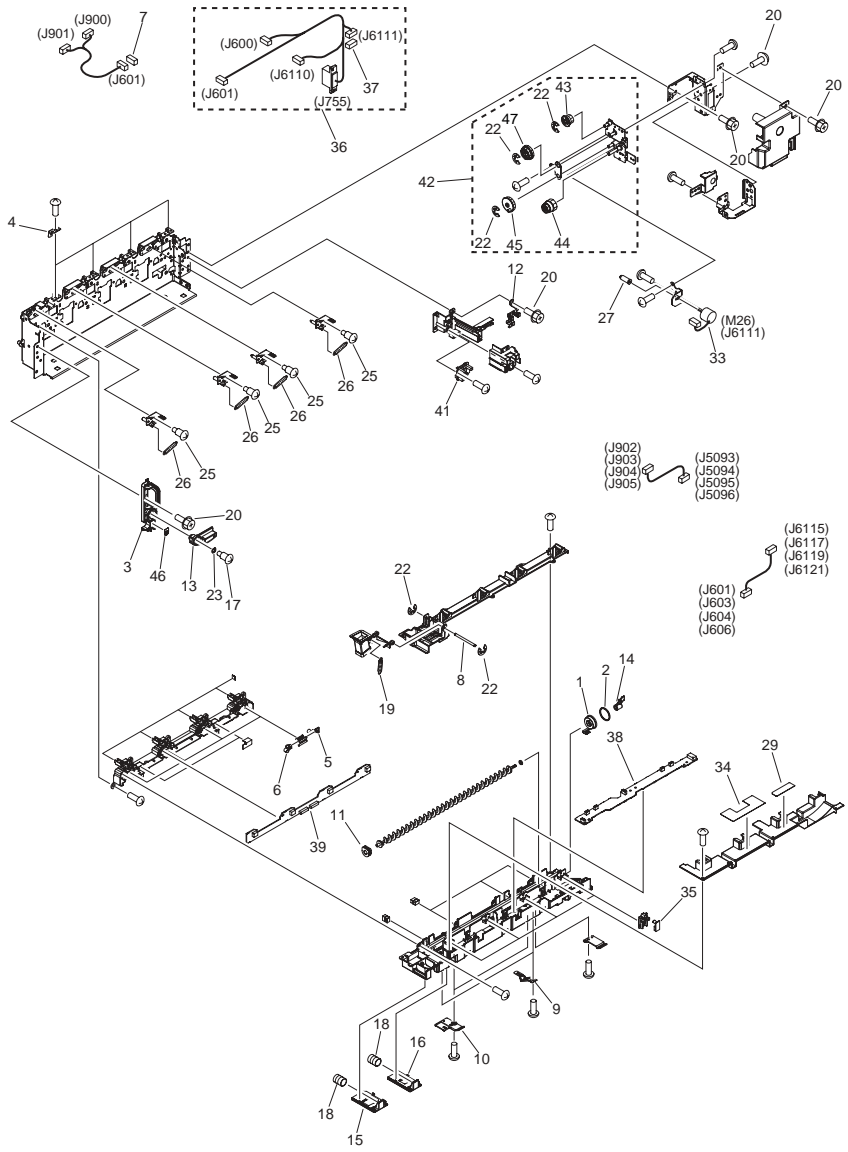


FIGURE & KEY NO.	PARTS NUMBER	R A N K	Q'TY	DESCRIPTION	SERIAL NUMBER/ REMARKS	S V C
Fig.600	NPN		RF	PROCESS-KIT FRAME ASSEMBLY		
1	FC5-7919-000		1	BUSHING		
2	FC6-5328-000		1	SEAL, SCREW BUSHING		
3	FC8-3915-000		1	HANDLE, P KIT, LEFT		
4	FC8-3921-000		4	PLATE, DRUM GROUNDING		
5	FC8-3930-000		4	SPRING, COMPRESSION		
6	FC8-3931-000		4	SPRING, COMPRESSION		
7	VS1-8412-017		1	CONNECTOR, SNAP TIGHT, BL		
8	FC8-3979-000		1	SHAFT		
9	FC8-3983-000		2	SPRING, LEAF		
10	FC8-4534-000		2	RAIL, PAPER FEED CASE SHUTTER		
11	FC8-4573-000		1	BUSHING		
12	FC8-4574-000		1	PLATE, SENSOR GROUNDING		
13	FC8-4575-000		1	HANDLE, WASTE TONER		
14	FC9-7122-000		1	FLAG, FIRST FEEDSCREW		
15	FL3-1154-000		1	SHUTTER, PAPER FEED CASE		
16	FL3-1159-000		1	SHUTTER, PAPER FEED CASE, 2		
17	FS5-9215-000		1	SCREW, STEPPED		
18	FU7-2538-000		2	SPRING, COMPRESSION		
19	FU8-2290-000		1	SPRING, TENSION		
20	XA9-0732-000		34	SCREW,RS,M4		
21	XA9-1386-000		10	SCREW,RS,M3X8		
22	XD9-0134-000		5	RING,E		
23	XD9-0168-000		1	WASHER		
24	FC8-3923-000		4	RAIL, DRUM UNIT, F		
25	FS5-9360-020		4	SCREW,STEPPED,M4		
26	FU7-2469-000		4	SPRING, TENSION		
27	FU8-0171-000		1	GEAR, WORM, 36T		
28	FC8-3924-000		4	RAIL, DRUM UNIT, R		
29	FC9-7933-000		1	LABEL, I.T.B. HANDLE CAUTION		
30	FU7-2470-000		4	SPRING, COMPRESSION		
31	FU7-2501-000		4	SPRING, TORSION		

FIGURE & KEY NO.	PARTS NUMBER	RANK	Q'TY	DESCRIPTION	SERIAL NUMBER/REMARKS	SVC
32	FU7-2531-000		4	SPRING, TORSION	M26	
33	FK2-7328-000		1	MOTOR, DC		
34	FC9-7943-000		1	LABEL, DESORPTION CAUTION		
35	FM3-7945-000		8	LED PCB ASSEMBLY		
36	FM3-7863-000		1	CABLE, PROCESS-KIT DRAWER		
37	VS1-7177-003		1	CONNECTOR, SNAP TIGHT, BK		
38	FM3-7938-000		1	RELAY PCB ASSEMBLY		
39	FM3-7940-000		1	NEW/OLD DETECT PCB ASSEMBLY		
40	FC0-0181-000		4	SPACER, DEVELOPING PROTECTIVE		
41	FM3-7949-000		1	WASTE TONER SENSOR PCB ASS'Y		
42	FM3-8889-000		1	WASTE TONER FEED DRIVE ASS'Y		
43	FU8-0172-000		1	GEAR, 19T		
44	FU8-0209-000		1	GEAR, 16T/36T		
45	FU8-0190-000		1	GEAR, 33T		
46	FC9-7129-000		1	LABEL, UNLOCK		
47	FU8-0210-000		1	GEAR, 33T/25T		

# FIGURE 620 SET ON HOPPER BK ASSEMBLY

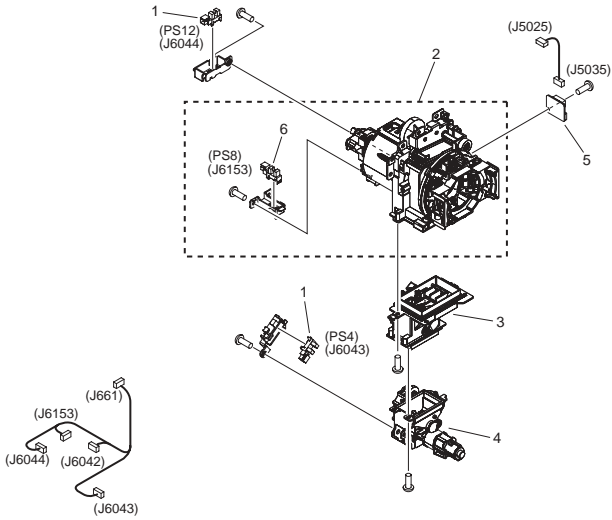


FIGURE & KEY NO.	PARTS NUMBER	RANK	QTY	DESCRIPTION	SERIAL NUMBER/REMARKS	SVC
Fig.620	NPN		RF	SET ON HOPPER BK ASSEMBLY		
1	WG8-5783-000		2	IC.PHOTO-INTERRUPTER,LG248NL1A	PS4,PS12	
2	FM3-5981-000		1	SET ON BUFFER ASSEMBLY		
3	FM3-5982-000		1	HOPPER CENTER ASSEMBLY, BLACK		
4	FM3-5984-000		1	HOPPER LOWER ASSEMBLY		
5	FM3-7948-000		1	TONER SENSOR RELAY PCB ASS'Y		
6	WG8-5848-000		1	PHOTO-INTERRUPTER,GP1A173LCS0F	PS8	

# FIGURE 621 SET ON HOPPER CL ASSEMBLY

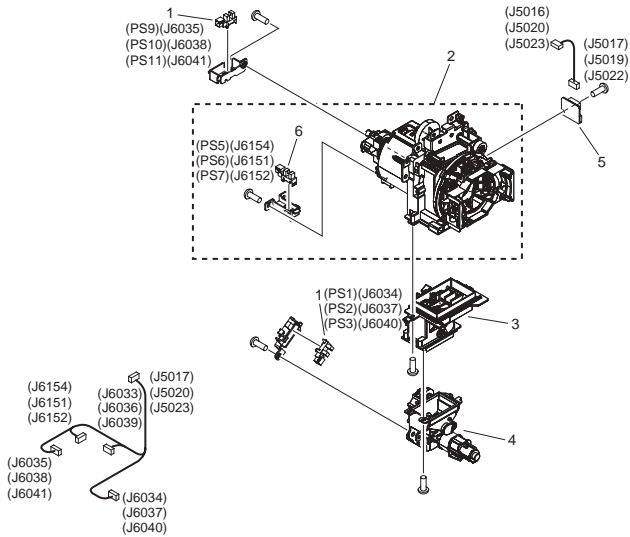


FIGURE & KEY NO.	PARTS NUMBER	R A N K	QTY	DESCRIPTION	SERIAL NUMBER/ REMARKS	S V C
Fig.621	NPN		RF	SET ON HOPPER CL ASSEMBLY		
1	WG8-5783-000		2	IC,PHOTO-INTERRUPTER,LG248NL1A	PS1,PS2,PS3,PS9,PS10,PS11	
2	FM3-5981-000		1	SET ON BUFFER ASSEMBLY		
3	FM3-5983-000		1	HOPPER CENTER ASSEMBLY, CL		
4	FM3-5984-000		1	HOPPER LOWER ASSEMBLY		
5	FM3-7948-000		1	TONER SENSOR RELAY PCB ASSY		
6	WG8-5848-000		1	PHOTO-INTERRUPTER,GP1A173LCS0F	PS5,PS6,PS7	

# FIGURE 623 SET ON DRIVE ASSEMBLY, BLACK

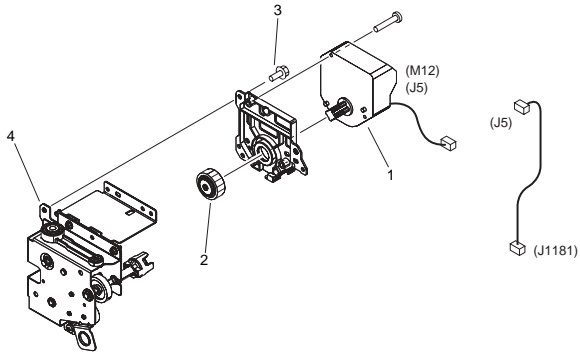


FIGURE & KEY NO.	PARTS NUMBER	RANK	QTY	DESCRIPTION	SERIAL NUMBER/REMARKS	SVC
Fig.623	FM3-5978-000		1	SET ON DRIVE ASSEMBLY, BLACK		
1	FK2-7895-000		1	MOTOR, DC	M12	
2	FU8-0137-000		1	GEAR, 26T		
3	XA9-1386-000		3	SCREW,RS,M3X8		
4	FM3-8908-000		1	SET ON DRIVE BASE ASS'Y, BLACK		

# FIGURE 624 SET ON DRIVE ASSEMBLY, CL

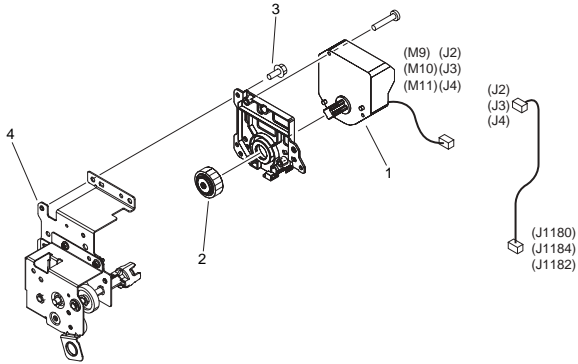


FIGURE & KEY NO.	PARTS NUMBER	RANK	QTY	DESCRIPTION	SERIAL NUMBER/REMARKS	SVC
Fig.624	FM3-5979-000		3	SET ON DRIVE ASSEMBLY, CL		
1	FK2-7895-000		1	MOTOR, DC	M9,M10,M11	
2	FU8-0137-000		1	GEAR, 26T		
3	XA9-1386-000		3	SCREW,RS,M3X8		
4	FM3-8891-000		1	SET ON DRIVE BASE ASSEMBLY, CL		

# FIGURE 626 BOTTLE FRONT INNER DOOR ASS'Y

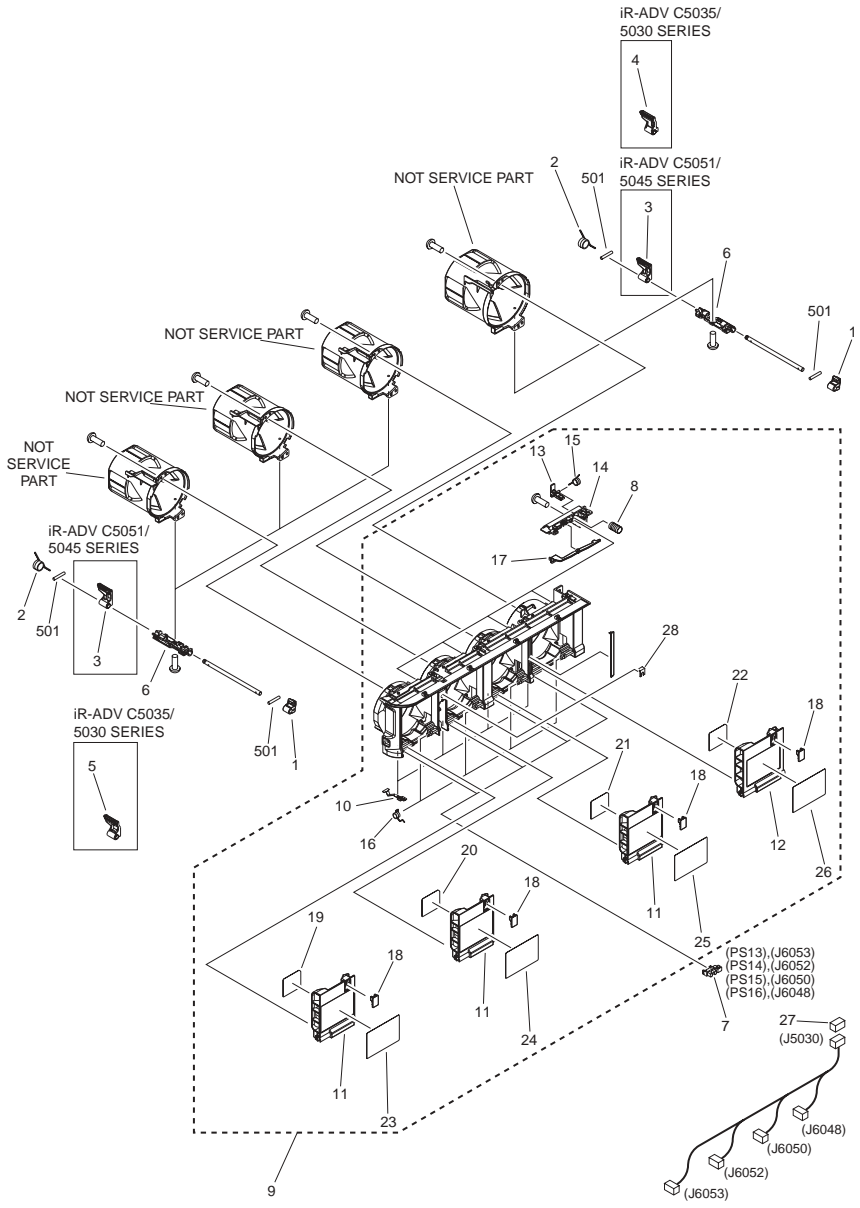




FIGURE & KEY NO.	PARTS NUMBER	R A N K	Q'TY	DESCRIPTION	SERIAL NUMBER/ REMARKS	S V C
Fig.626	NPN		RF	BOTTLE FRONT INNER DOOR ASS'Y		
1	FC8-4692-000		4	STOPPER,BOTTLE LINK INNER DOOR		
2	FC8-4694-000		4	SPRING, TORSION		
3	FC8-4695-000		4	LEVER, BOTTLE DETECT	IR-ADV C5051,5045 SERIES	
4	FC8-4696-000		1	LEVER, BOTTLE DETECT, BK	IR-ADV C5035,5030 SERIES	
5	FC8-4697-000		3	LEVER, BOTTLE DETECT, CL	IR-ADV C5035,5030 SERIES	
6	FC8-4698-000		4	GUIDE, BOTTLE LINK SHAFT		
7	WG8-5783-000		4	IC,PHOTO-INTERRUPTER,LG248NL1A	PS13,PS14,PS15,PS16	
8	FU7-2459-000		4	SPRING, COMPRESSION		
9	FM3-8899-000		1	BOTTLE FR. DOOR BASE ASSEMBLY		
10	FC8-4646-000		4	SPRING, GROUNDING		
11	FC8-4661-000		3	DOOR,BOTTLE EXCHANGE INNER,CL		
12	FC8-4662-000		1	DOOR, BOTTLE EXCHANGE INNER		
13	FC8-4683-000		4	LATCH, INNER DOOR		
14	FC8-4684-000		4	HOLDER, INNER DOOR LATCH		
15	FC8-4685-000		4	SPRING, TORSION		
16	FC8-4687-000		4	SPRING, TORSION		
17	FC8-4689-000		4	LEVER,INNER DOOR LATCH RELEASE		
18	FC8-4712-000		4	DAMPER UNIT, INNER DOOR		
19	FC8-4663-000		1	LABEL, COLOR, YELLOW		
20	FC8-4664-000		1	LABEL, COLOR, MAGENTA		
21	FC8-4665-000		1	LABEL, COLOR, CYAN		
22	FC8-4666-000		1	LABEL, COLOR, BLACK		
23	FC8-4667-000		1	LABEL, OPERATOR, YELLOW		
24	FC8-4668-000		1	LABEL, OPERATOR, MAGENTA		
25	FC8-4669-000		1	LABEL, OPERATOR, CYAN		
26	FC8-4670-000		1	LABEL, OPERATOR, BLACK		
27	VS1-8412-013		1	CONNECTOR, SNAP TIGHT, BL		
28	FC0-0212-000		1	SHEET, MAGNET PLATE		
501	XD3-2200-122		8	PIN, DOWEL		

# FIGURE 627 BOTTLE BASE ASSEMBLY, BLACK

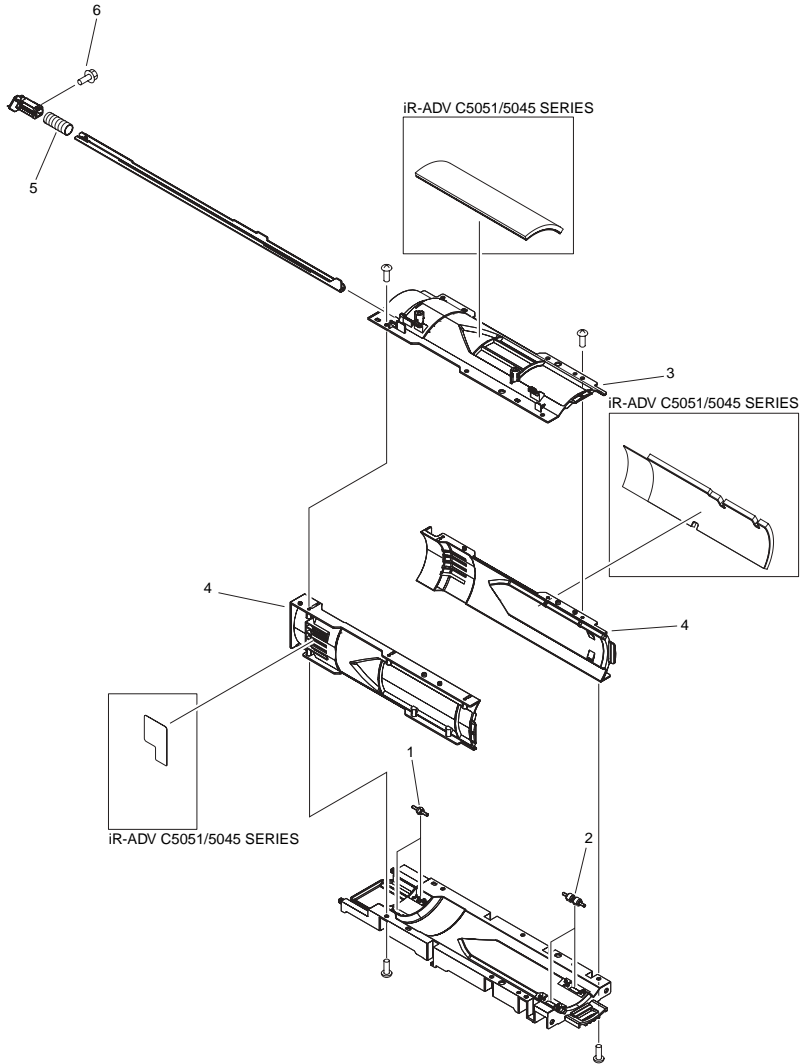


FIGURE & KEY NO.	PARTS NUMBER	R A N K	Q'TY	DESCRIPTION	SERIAL NUMBER/REMARKS	S V C
Fig.627	FM3-5986-000		1	BOTTLE BASE ASSEMBLY, BLACK	iR-ADV C5051,5045 SERIES	
Fig.627	FM3-5992-000		1	BOTTLE BASE ASSEMBLY, BLACK	iR-ADV C5035,5030 SERIES	
1	FC5-1269-000		2	ROLLER		
2	FC8-4649-000		2	ROLLER, BOTTLE TRAY		
3	FC8-4652-000		1	COVER, BOTTLE, L	iR-ADV C5051,5045 SERIES	
3	FC8-4654-000		1	COVER, BOTTLE, M	iR-ADV C5035,5030 SERIES	
4	FC8-4680-000		2	COVER, BOTTLE SIDE, L	iR-ADV C5051,5045 SERIES	
4	FC8-4681-000		2	COVER, BOTTLE SIDE, M	iR-ADV C5035,5030 SERIES	
5	FU7-2460-000		1	SPRING, COMPRESSION		
6	XA9-1386-000		1	SCREW,RS,M3X8		

FIGURE 628  
BOTTLE BASE ASSEMBLY, CL

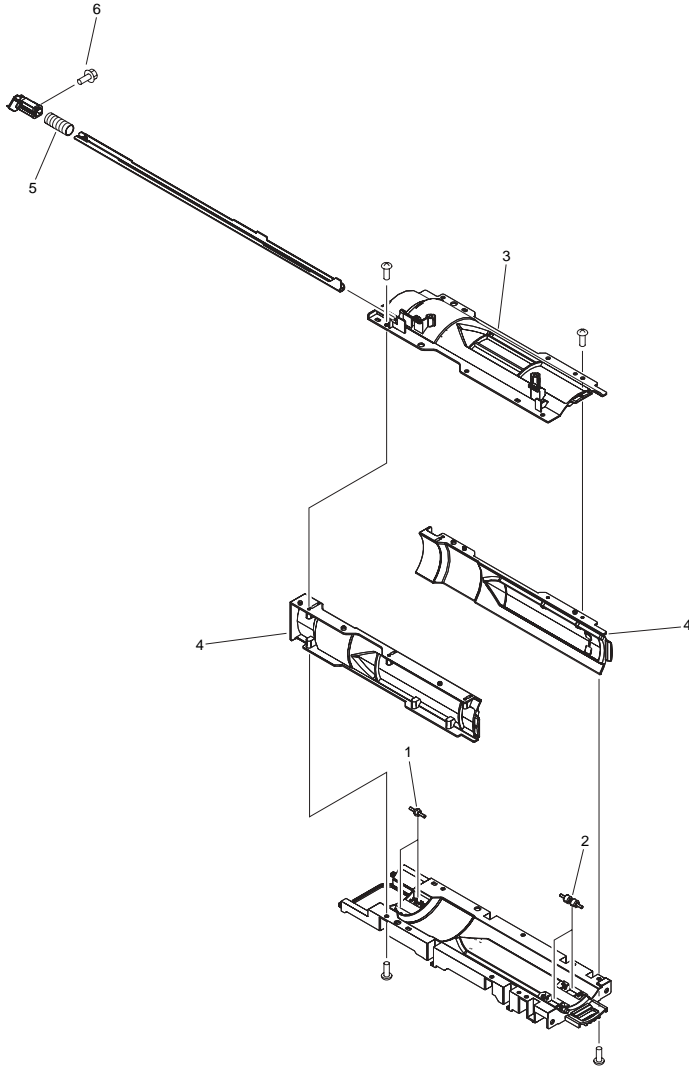


FIGURE & KEY NO.	PARTS NUMBER	R A N K	Q'TY	DESCRIPTION	SERIAL NUMBER/REMARKS	S V C
Fig.628	FM3-5987-000		3	BOTTLE BASE ASSEMBLY, CL	iR-ADV C5051,5045 SERIES	
Fig.628	FM3-5993-000		3	BOTTLE BASE ASSEMBLY, CL	iR-ADV C5035,5030 SERIES	
1	FC5-1269-000		2	ROLLER		
2	FC8-4649-000		2	ROLLER, BOTTLE TRAY		
3	FC8-4654-000		1	COVER, BOTTLE, M	iR-ADV C5051,5045 SERIES	
3	FC8-4656-000		1	COVER, BOTTLE, S	iR-ADV C5035,5030 SERIES	
4	FC8-4681-000		2	COVER, BOTTLE SIDE, M	iR-ADV C5051,5045 SERIES	
4	FC8-4682-000		2	COVER, BOTTLE SIDE, S	iR-ADV C5035,5030 SERIES	
5	FU7-2460-000		1	SPRING, COMPRESSION		
6	XA9-1386-000		1	SCREW,RS,M3X8		

# FIGURE 640 DEVELOPING ASSEMBLY, Y

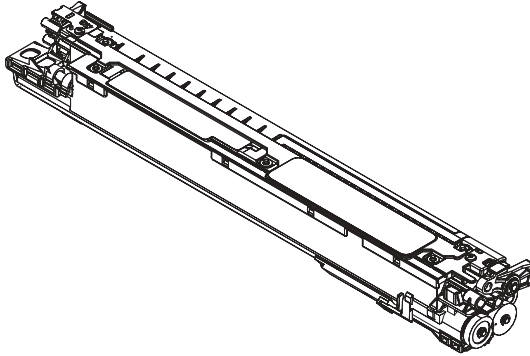


FIGURE & KEY NO.	PARTS NUMBER	RANK	QTY	DESCRIPTION	SERIAL NUMBER/REMARKS	S V C
Fig.640	FM3-8973-000		1	DEVELOPING ASSEMBLY, Y	iR-ADV C5035,5030 SERIES YELLOW[DP]	
Fig.640	FM3-8977-000		1	DEVELOPING ASSEMBLY, Y	iR-ADV C5051,5045 SERIES YELLOW[DP]	
Fig.640	FM3-8974-000		1	DEVELOPING ASSEMBLY, M	iR-ADV C5035,5030 SERIES MAGENTA[DP]	
Fig.640	FM3-8978-000		1	DEVELOPING ASSEMBLY, M	iR-ADV C5051,5045 SERIES MAGENTA[DP]	
Fig.640	FM3-8975-000		1	DEVELOPING ASSEMBLY, C	iR-ADV C5035,5030 SERIES CYAN[DP]	
Fig.640	FM3-8979-000		1	DEVELOPING ASSEMBLY, C	iR-ADV C5051,5045 SERIES CYAN[DP]	
Fig.640	FM3-8939-000		1	DEVELOPING ASSEMBLY, BK	iR-ADV C5051,5045 SERIES BLACK[DP]	
Fig.640	FM3-8976-000		1	DEVELOPING ASSEMBLY, BK	iR-ADV C5035,5030 SERIES BLACK[DP]	

# FIGURE 770 WASTE TONER CASE ASSEMBLY

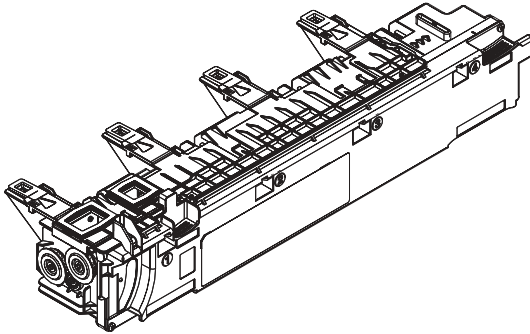
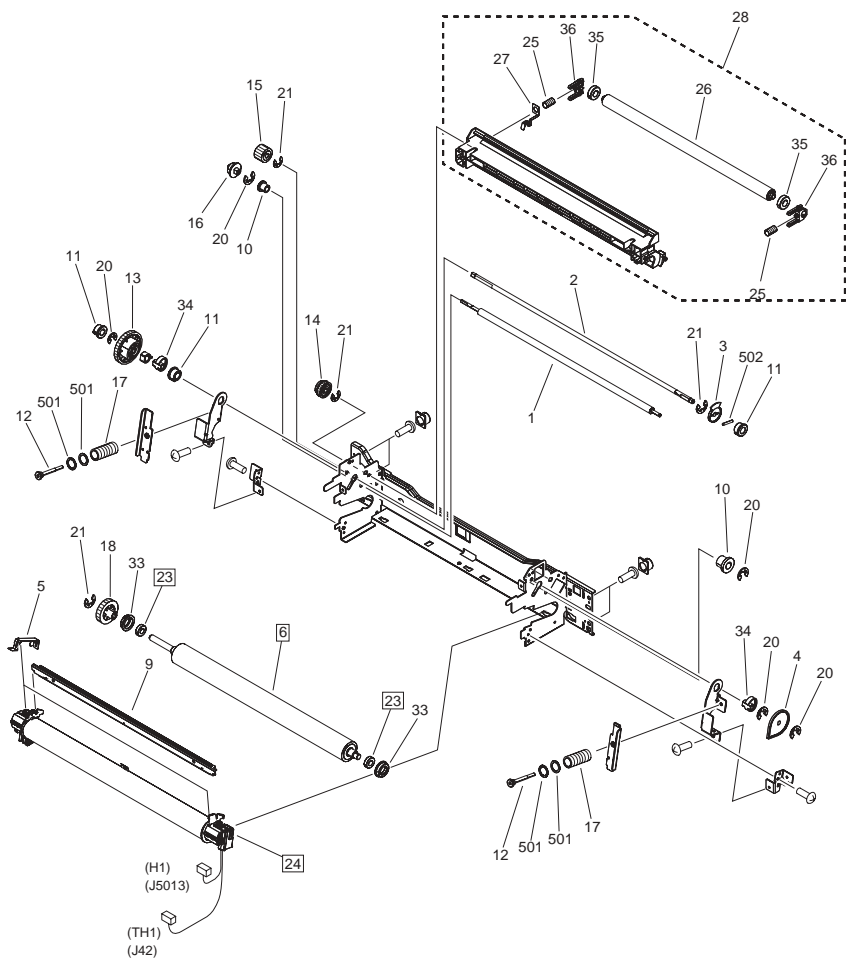


FIGURE & KEY NO.	PARTS NUMBER	RANK	QTY	DESCRIPTION	SERIAL NUMBER/REMARKS	SVC
Fig.770	FM3-5945-000		1	WASTE TONER CASE ASSEMBLY	[DP]	

# FIGURE 810 FIXING ASSEMBLY



NOTE : This assembly includes the assemblies shown in Figure 811 and 812.

注 : このユニットはFigure 811, 812のユニットを含みます。



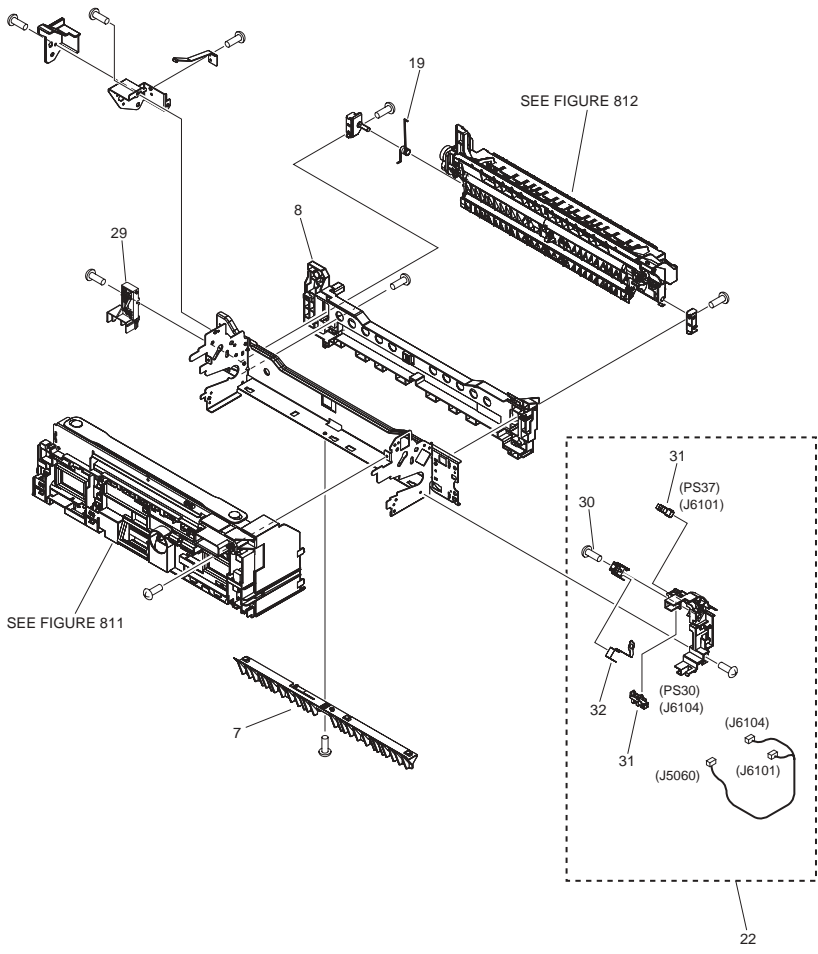
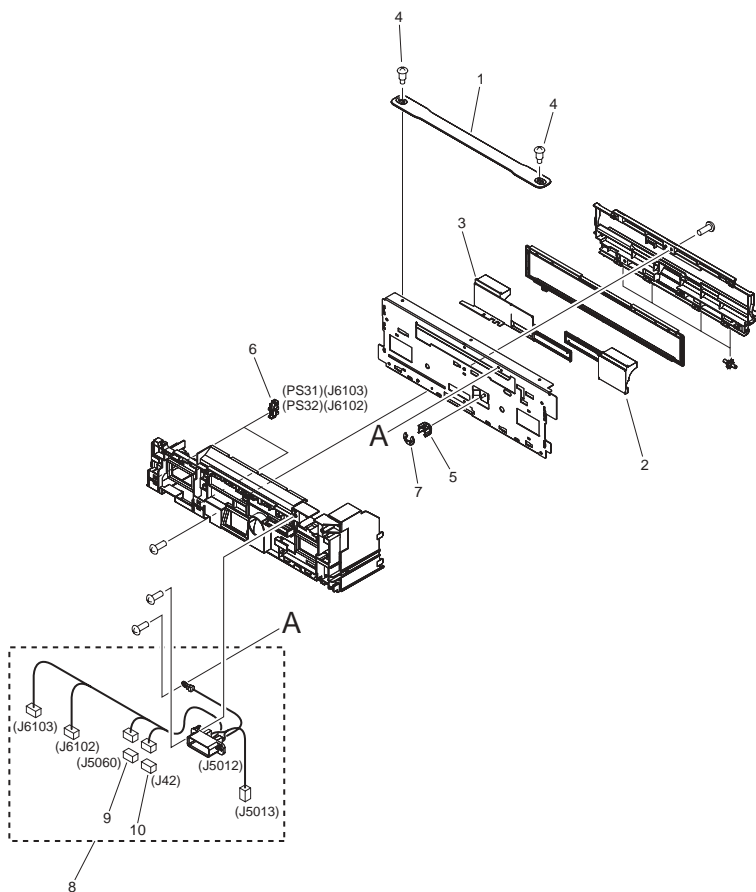


FIGURE & KEY NO.	PARTS NUMBER	R A N K	Q'TY	DESCRIPTION	SERIAL NUMBER/ REMARKS	S V C
Fig.810	NPN		1	FIXING ASSEMBLY		
1	FC6-9268-000		1	ROLLER, INNER PAPER DELIVERY		
2	FC6-9269-000		1	SHAFT		
3	FC6-9272-000		1	FLAG, PRESSURE RELEASE SENSOR		
4	FC6-9274-000		1	LEVER, PRESSURE RELEASE		
5	FC6-9471-000		2	SPRING, LEAF		
6	FC8-4906-000		1	ROLLER, PRESSURE	[DP]	
7	FC8-5025-000		1	GUIDE, FIXING ENTRANCE		
8	FC8-5027-000		1	HANDLE, FIXING DRAWER		
9	FC8-5043-000		1	GUIDE, FIXING SEPARATION		
10	FS1-1528-000		2	BUSHING		
11	FS5-1943-000		3	BUSHING		
12	FU6-0028-000		2	SCREW		
13	FU7-0267-000		1	GEAR, 46T		
14	FU7-0326-000		1	GEAR, 17T/27T		
15	FU7-0327-000		1	GEAR, 19T		
16	FU7-0328-000		1	GEAR, 15T		
17	FU7-2464-000		2	SPRING, COMPRESSION		
18	FU8-0192-000		1	GEAR, 33T		
19	FU8-2279-000		1	SPRING, TORSION		
20	XD9-0134-000		5	RING,E		
21	XD9-0136-000		4	RING,E		
22	FM3-5953-000		1	SENSOR HOLDER ASSEMBLY		
23	XG9-0172-000		2	BALL BEARING, NSK, 688AZZ1MC4E	[DP]	
24	FM3-5949-000		1	FILM ASSEMBLY	100V H1,TH1 [DP]	
24	FM3-5950-000		1	FILM ASSEMBLY	120V H1,TH1 [DP]	
24	FM3-5951-000		1	FILM ASSEMBLY	230V H1,TH1 [DP]	
25	FU6-2644-000		2	SPRING, COMPRESSION		
26	FL2-5277-000		1	ROLLER, SLEEVE		
27	FC6-9304-000		1	SPRING, GROUNDING		
28	FM3-5955-000		1	GUIDE, FIXING DELIVERY, UPPER		
29	FM3-5954-000		1	PRESSURE ROLLER CONTACT ASSY		

FIGURE & KEY NO.	PARTS NUMBER	RANK	Q'TY	DESCRIPTION	SERIAL NUMBER/REMARKS	SVC
30	XA9-1510-000		1	SCREW, WW/WASHER TAPPING	PS30,PS37	
31	WG8-5783-000		2	IC,PHOTO-INTERRUPTER,LG248NL1A		
32	FC6-9288-000		1	SPRING, GROUNDING		
33	FC5-7182-000		2	HOUSING,BEARING		
34	FC8-5068-000		2	CAM, PRESSURE RELEASE		
35	XG9-0509-000		2	BEARING, BALL MR128ZZ		
36	FC6-9472-000		2	HOLDER, BUSHING		
501	XD1-1108-213		4	SHIM		
502	XD3-2200-122		1	PIN, DOWEL		

# FIGURE 811 SHUTTER ASSEMBLY

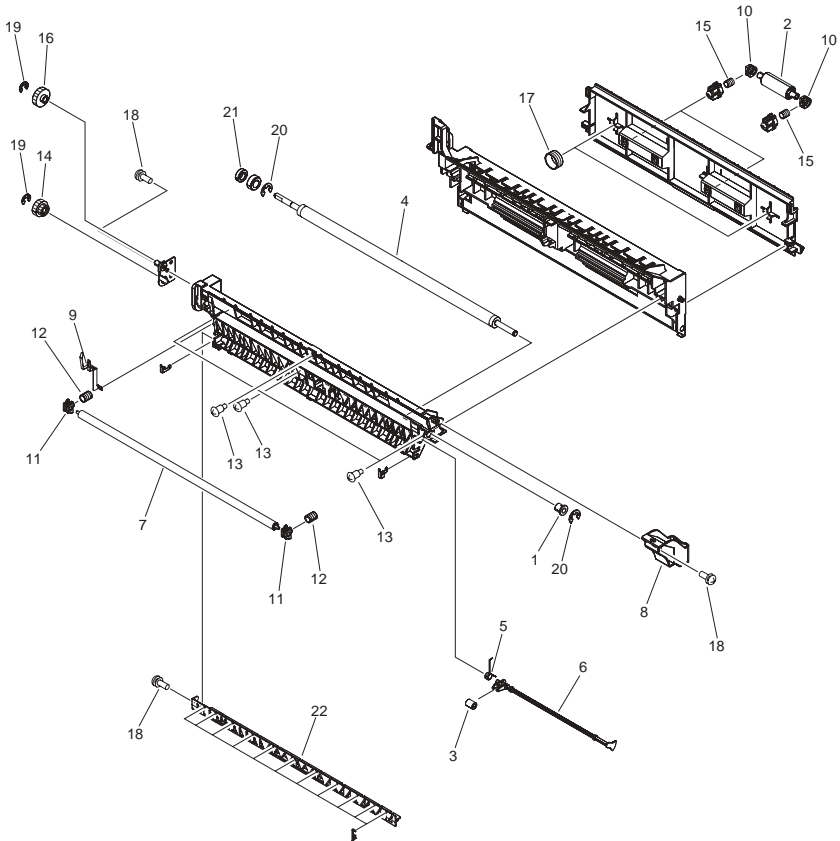


NOTE : This assembly is included in the assembly shown in Figure 810.

注 : このユニットはFigure 810のユニットに含まれます。

FIGURE & KEY NO.	PARTS NUMBER	RANK	Q'TY	DESCRIPTION	SERIAL NUMBER/REMARKS	SVC
Fig.811	FM3-5952-000		1	SHUTTER ASSEMBLY	SEE NOTE	
1	FC8-3975-000		1	HANDLE, FIXING		
2	FC8-5047-000		1	SHUTTER, F		
3	FC8-5048-000		1	SHUTTER, R		
4	FS1-9194-020		2	SCREW, STEPPED, M4		
5	FU7-0270-000		1	PINION, SHUTTER		
6	WG8-5783-000		2	IC,PHOTO-INTERRUPTER,LG248NL1A	PS31,PS32	
7	XD9-0134-000		1	RING,E		
8	FM3-7797-000		1	CABLE, FIXING DRAWER		
9	VS1-7177-006		1	CONNECTOR, SNAP TIGHT, BK		
10	VS1-7177-010		1	CONNECTOR, 10P		

# FIGURE 812 GUIDE, FIXING DELIVERY, LOWER



NOTE : This assembly is included in the assembly shown in Figure 810.  
 注 : このユニットはFigure 810のユニットに含まれます。

FIGURE & KEY NO.	PARTS NUMBER	R A N K	Q'TY	DESCRIPTION	SERIAL NUMBER/ REMARKS	S V C
Fig.812	FM3-5956-000		1	GUIDE, FIXING DELIVERY, LOWER		
1	FA9-4041-005		1	BUSHING		
2	FB6-4873-000		2	ROLLER, PAPER FEED		
3	FB6-7002-000		1	ROLLER, PAPER SENSOR		
4	FC6-9305-000		1	ROLLER, FIXING PAPER DELIVERY		
5	FC6-9309-000		1	SPRING, TORSION		
6	FC6-9473-000		1	FLAG, PAPER DELIVERY SENSOR		
7	FC7-2395-000		1	ROLLER, PAPER DELIVERY		
8	FC8-5029-000		1	HANDLE, JAM CLEARING		
9	FC7-4830-000		1	PLATE, GROUNDING		
10	FS5-1595-000		4	BUSHING, VERTICAL ROLLER		
11	FU5-1559-000		2	BUSHING		
12	FU5-2683-000		2	SPRING, COMPRESSION		
13	FU5-9449-000		4	SCREW, STEPPED, M3		
14	FU7-0329-000		1	GEAR, 17T		
15	FU7-2521-000		4	SPRING, COMPRESSION		
16	FU8-0183-000		1	GEAR, 20T		
17	FU8-2278-000		2	SPRING, COMPRESSION		
18	XA9-1510-000		3	SCREW, WW/WASHER TAPPING		
19	XD9-0134-000		2	RING,E		
20	XD9-0136-000		2	RING,E		
21	XG9-0242-000		1	BEARING, BALL, MR106ZZMC3D4ML		
22	FC7-6978-000		1	GUIDE, INNER PAPER DELIVERY		

# FIGURE 813 FIXING DRIVE ASSEMBLY

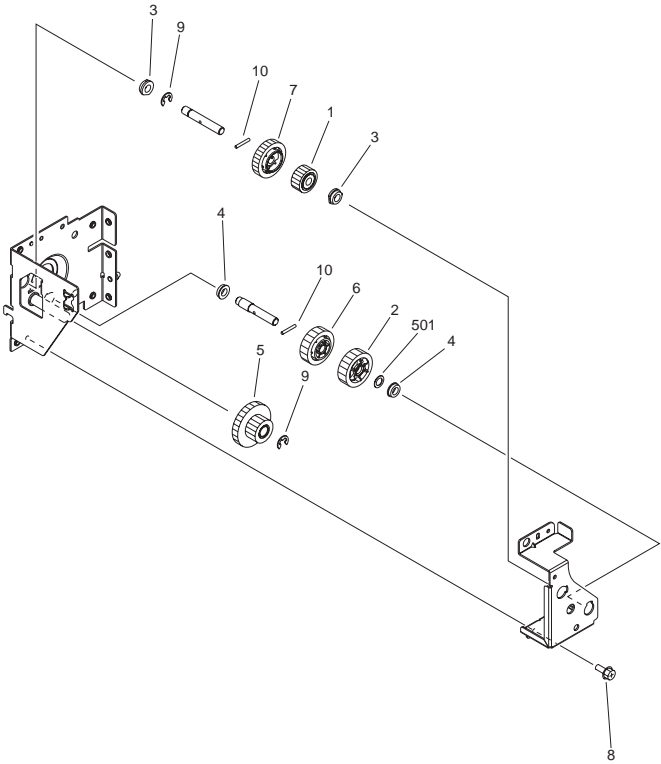




FIGURE & KEY NO.	PARTS NUMBER	R A N K	Q'TY	DESCRIPTION	SERIAL NUMBER/ REMARKS	S V C
Fig.813	FM3-5967-000		1	FIXING DRIVE ASSEMBLY		
1	FL2-4376-000		1	CLUTCH, ONE-WAY		
2	FL3-1198-000		1	GEAR ASSEMBLY		
3	FS1-1508-000		2	BUSHING		
4	XG9-0350-000		2	BALL BEARING, NSK MF106ZZ D4M		
5	FU8-0164-000		1	GEAR, 17T/53T		
6	FU8-0178-000		1	GEAR, 26T		
7	FU8-0179-000		1	GEAR, 27T		
8	XA9-1386-000		4	SCREW,RS,M3X8		
9	XD9-0136-000		3	RING,E		
10	XD9-0290-000		2	PIN, DOWEL		
501	XD1-1106-219		1	SHIM, CIRCULAR		

# FIGURE 815 FIXING DELIVERY DRIVE ASSEMBLY

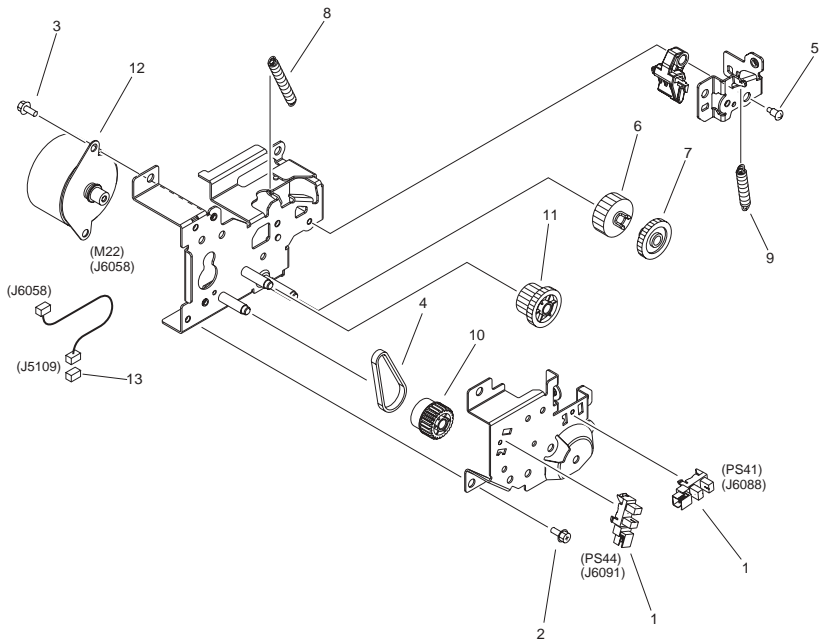


FIGURE & KEY NO.	PARTS NUMBER	R A N K	Q'TY	DESCRIPTION	SERIAL NUMBER/ REMARKS	S V C
Fig.815	FM3-5994-000		1	FIXING DELIVERY DRIVE ASSEMBLY		
1	WG8-5783-000		2	IC,PHOTO-INTERRUPTER,LG248NL1A	PS41,PS44	
2	XA9-0732-000		5	SCREW,RS,M4		
3	XA9-1386-000		2	SCREW,RS,M3X8		
4	XF2-1105-740		1	BELT, TIMING		
5	FS5-9224-020		1	SCREW,STEPPED,M4		
6	FU7-0296-000		1	GEAR, 23T		
7	FU7-0297-000		1	GEAR, 23T		
8	FU7-2481-000		1	SPRING, TENSION		
9	FU7-2534-000		1	SPRING, TENSION		
10	FU8-0150-000		1	PULLEY, 30T		
11	FU8-0156-000		1	GEAR, 29T/17T		
12	FK2-7304-000		1	MOTOR	M22	
13	VS1-7177-004		1	CONNECTOR, SNAP TIGHT, BK		

# FIGURE 900 CONTROLLER BOX ASSEMBLY

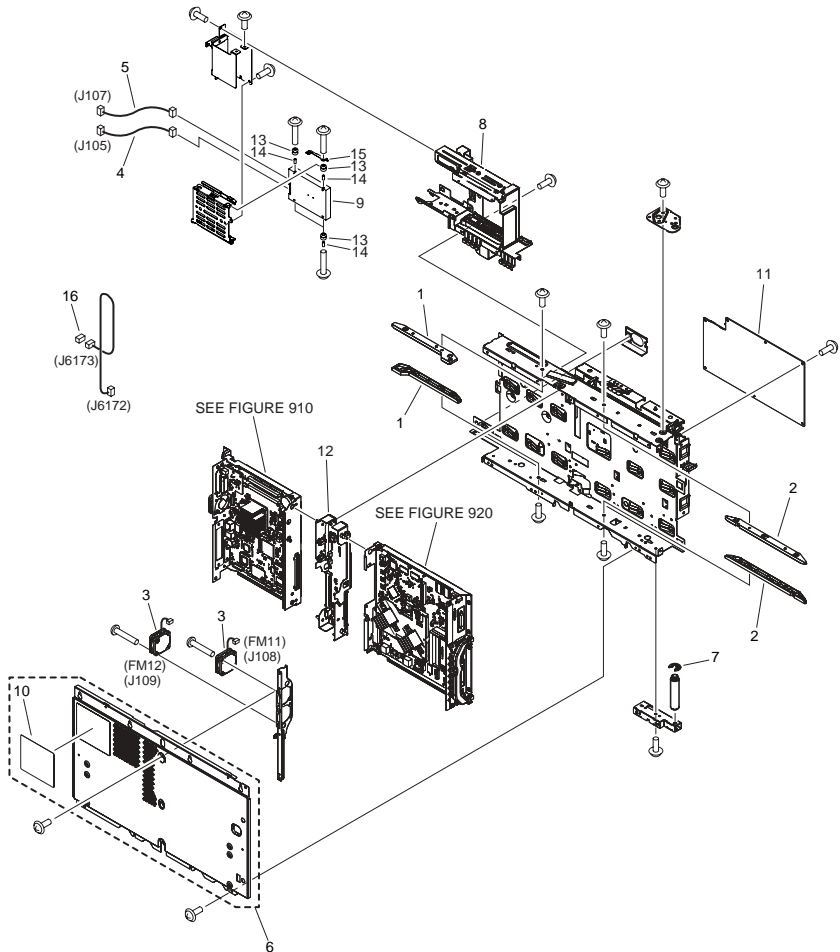


FIGURE & KEY NO.	PARTS NUMBER	RANK	Q'TY	DESCRIPTION	SERIAL NUMBER/REMARKS	SVC
Fig.900	NPN		RF	CONTROLLER BOX ASSEMBLY		
1	FC8-5174-000		2	RAIL, MAIN CONTROLLER, 1		
2	FC8-5175-000		2	RAIL, MAIN CONTROLLER, 2		
3	FK2-8372-000		2	FAN	FM11,FM12	
4	FK2-8430-000		1	CABLE, STANDARD SATA POWER, A		
5	FK2-8432-000		1	CABLE, STANDARD SATA SIGNAL, A		
6	FL3-3168-000		1	COVER, CONTROLLER		
7	XD9-0136-000		1	RING,E		
8	FM3-6023-000		1	HARD DISK DRIVE MOUNT ASSY		
9	FK2-8418-000		1	HARD DISK DRIVE		
10	FC9-7864-000		1	LABEL, EXTERNAL COVER CAUTION		
11	FM3-7931-000		1	DC CONTROLLER PCB ASSEMBLY		
12	FM4-0795-000		1	RISER PCB ASSEMBLY		
13	XH9-0132-000		4	DAMPER, CUSHION		
14	XZ1-1301-005		4	SPACER		
15	FC9-7904-000		1	PLATE, GROUNDING, HDD		
16	VS1-7177-003		1	CONNECTOR, SNAP TIGHT, BK		
IC	FK2-3218-000		1	IC, MB87L8650, GATE ARRAY		
IC	FK2-6450-000		1	IC, FSA0AC211AA		
IC	FK2-7297-000		1	IC, R5F61638N50FPV-FK27297		
IC	FK2-7321-000		1	IC, ASIC, T6UN7EFG-0101(O)		
IC	FK2-7596-000		1	IC, STANDARD CELL, MB8AA		

# FIGURE 910 MAIN CONTROLLER PCB ASS'Y, 1

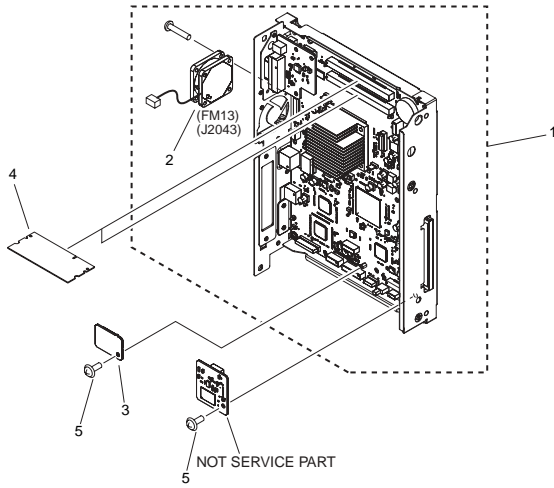


FIGURE & KEY NO.	PARTS NUMBER	RANK	QTY	DESCRIPTION	SERIAL NUMBER/REMARKS	SVC
Fig.910	NPN		RF	MAIN CONTROLLER PCB ASS'Y, 1		
1	FM4-3830-000		1	MAIN CONTROLLER PCB ASS'Y, 1	iR-ADV C5051 SERIES	
1	FM4-3831-000		1	MAIN CONTROLLER PCB ASS'Y, 1	iR-ADV C5045 SERIES	
1	FM4-3832-000		1	MAIN CONTROLLER PCB ASS'Y, 1	iR-ADV C5035 SERIES	
1	FM4-3833-000		1	MAIN CONTROLLER PCB ASS'Y, 1	iR-ADV C5030 SERIES	
2	FK2-8372-000		1	FAN	FM13	
3	FM4-0783-000		1	TPM PCB ASSEMBLY		
4	FM4-0831-000		2	DIMM ASS'Y		
5	XA9-1959-000		2	SCREW, WWASHER, M3X4		
IC	FK2-8272-000		1	IC, LE80578EG009C, MPU		

# FIGURE 911 POWER SUPPLY ASSEMBLY

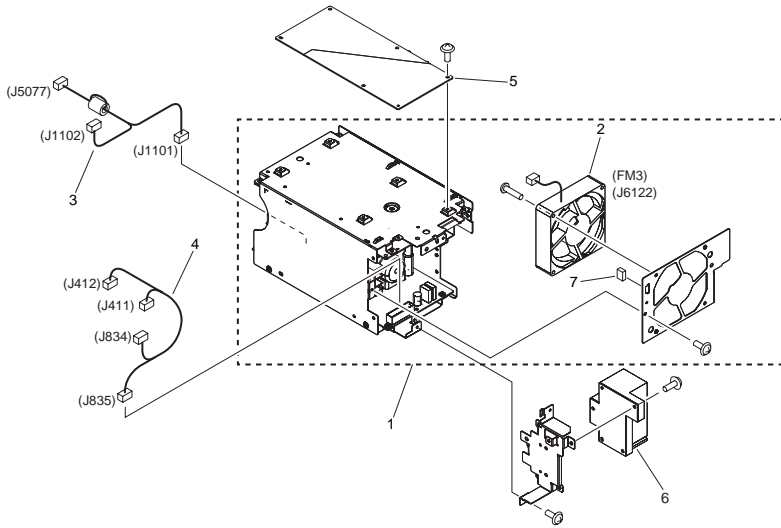


FIGURE & KEY NO.	PARTS NUMBER	RANK	QTY	DESCRIPTION	SERIAL NUMBER/REMARKS	SVC
Fig.911	FM3-6030-000		1	POWER SUPPLY ASSEMBLY		
1	FM3-6031-000		1	POWER SUPPLY BOX ASSEMBLY		
2	FK2-7286-000		1	FAN	FM3	
3	FM3-7801-000		1	CABLE, AC POWER SUPPLY 1		
4	FM3-7802-000		1	CABLE, POWER SUPPLY RELAY, 1		
5	FM3-7935-000		1	RELAY BOARD ASSEMBLY		
6	FM3-7955-000		1	24V POWER SUPPLY PCB ASS'Y		
7	VS1-7177-003		1	CONNECTOR, SNAP TIGHT, BK		

# FIGURE 920 MAIN CONTROLLER PCB ASS'Y, 2

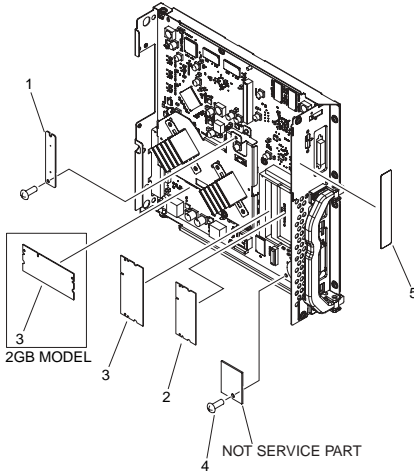


FIGURE & KEY NO.	PARTS NUMBER	RANK	QTY	DESCRIPTION	SERIAL NUMBER/REMARKS	SVC
Fig.920	FM4-3838-000		1	MAIN CONTROLLER PCB ASS'Y, 2		
1	FM4-0780-000		1	BYPASS PCB ASS'Y, SUB		
2	FM4-0832-000		1	DIMM ASS'Y		
3	FM4-0833-000		2	DIMM ASS'Y	2GB MODEL	
3	FM4-0833-000		1	DIMM ASS'Y	1.5GB MODEL	
4	XA9-1959-000		1	SCREW, WWASHER, M3X4		
5	FU6-8861-000		1	LABEL, MEMORY CAUTION		
IC	FK2-3218-000		1	IC, MB87L8650, GATE ARRAY		
IC	FK2-3739-000		1	IC, UPD800458F1-011-JN1-A		
IC	FK2-3741-000		1	IC, MPD800459F1-411-MNB-A		
IC	FK2-3745-000		1	IC, R8A03016BG, STANDARD CELL		
IC	FK2-3746-000		1	IC, UPD85809F1-011-JN6-A		
IC	FK2-6757-000		1	IC, FSC0HD200B, STANDARD CELL		
IC	FK2-8275-000		1	IC, R8A03019ABG, STANDARD CELL		
IC	FK2-8321-000		1	IC, MB87S1801		



# FIGURE 960 DRUM DRIVER PCB ASSEMBLY

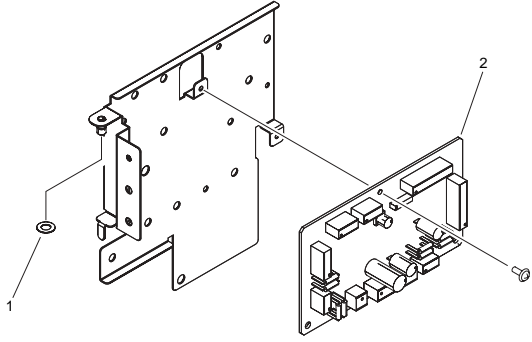


FIGURE & KEY NO.	PARTS NUMBER	RANK	QTY	DESCRIPTION	SERIAL NUMBER/REMARKS	SVC
Fig.960	NPN		RF	DRUM DRIVER PCB ASSEMBLY		
1	FC8-5257-000		1	WASHER		
2	FM3-7934-000		1	DRUM DRIVER PCB ASSEMBLY		
IC	FK2-7321-000		1	IC, ASIC, T6UN7EFG-0101(O)		

# FIGURE 961 CASSETTE FEED PCB ASSEMBLY

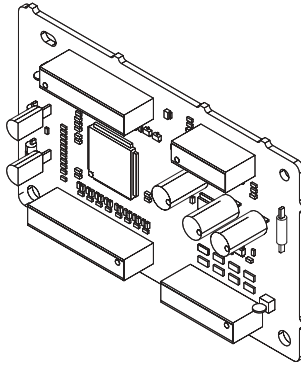


FIGURE & KEY NO.	PARTS NUMBER	RANK	QTY	DESCRIPTION	SERIAL NUMBER/REMARKS	SVC
Fig.961	FM3-7933-000		1	CASSETTE FEED PCB ASSEMBLY		
IC	FK2-1773-000		1	IC.TC200GO2EFG-1031,GATE ARRAY		

# FIGURE 962 PAPER FEED DRIVER PCB ASSEMBLY

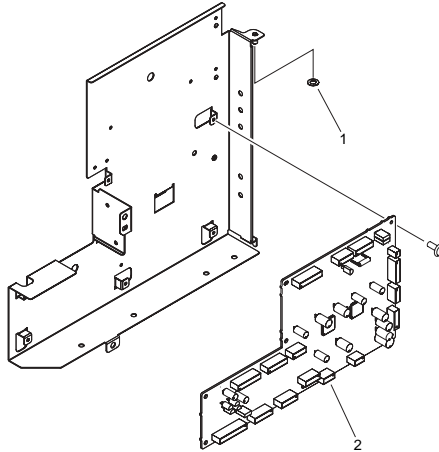


FIGURE & KEY NO.	PARTS NUMBER	RANK	QTY	DESCRIPTION	SERIAL NUMBER/REMARKS	SVC
Fig.962	NPN		RF	PAPER FEED DRIVER PCB ASSEMBLY		
1	FC8-5257-000		1	WASHER		
2	FM3-7932-000		1	PAPER FEED DRIVER PCB ASSEMBLY		
IC	FK2-1773-000		2	IC,TC200GO2EFG-1031,GATE ARRAY		

# FIGURE 963 AC DRIVER PCB ASSEMBLY

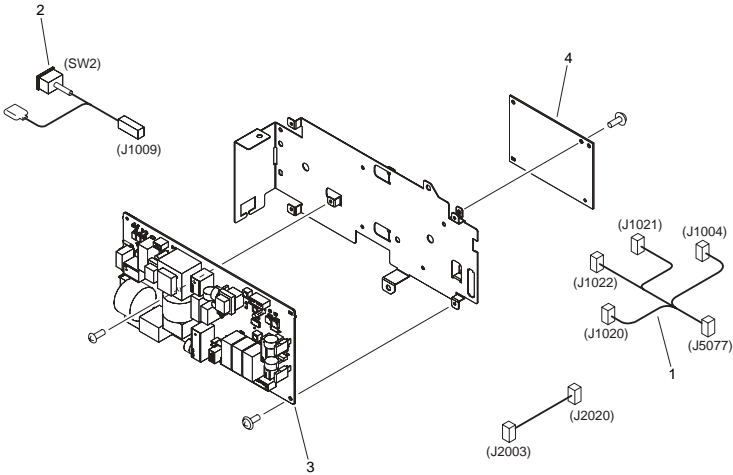


FIGURE & KEY NO.	PARTS NUMBER	RANK	QTY	DESCRIPTION	SERIAL NUMBER/ REMARKS	S V C
Fig.963	FM3-6034-000		1	AC DRIVER PCB ASSEMBLY	iR-ADV C5051,5045 SERIES 100V	
Fig.963	FM3-6053-000		1	AC DRIVER PCB ASSEMBLY	iR-ADV C5051,5045 SERIES 120V	
Fig.963	FM3-6054-000		1	AC DRIVER PCB ASSEMBLY	230V	
Fig.963	FM3-6051-000		1	AC DRIVER PCB ASSEMBLY	iR-ADV C5035,5030 SERIES 100V	
Fig.963	FM3-6052-000		1	AC DRIVER PCB ASSEMBLY	iR-ADV C5035,5030 SERIES 120V	
1	FM3-7852-000		1	CABLE, AC SUB		
2	FM3-7792-000		1	CABLE, ENVIRONMENT SWITCH	SW2	
3	FM3-7936-000		1	AC DRIVER PCB ASSEMBLY	iR-ADV C5051,5045 SERIES 100V	
3	FM3-7953-000		1	AC DRIVER PCB ASSEMBLY	iR-ADV C5051,5045 SERIES 120V	
3	FM3-7937-000		1	AC DRIVER PCB ASSEMBLY	230V	
3	FM3-7952-000		1	AC DRIVER PCB ASSEMBLY	iR-ADV C5035,5030 SERIES 100V	

FIGURE & KEY NO.	PARTS NUMBER	RANK	Q'TY	DESCRIPTION	SERIAL NUMBER/REMARKS	SVC
3	FM3-7954-000		1	AC DRIVER PCB ASSEMBLY	iR-ADV C5035,5030 SERIES 120V	
4	FM3-7950-000		1	AC DRIVER SUB PCB ASSEMBLY		
T1	FH3-0636-000		1	TRANSFORMER (220/240V), 0.3VA		
T3	FK2-0681-000		1	TRANSFORMER	EXCEPT iR-ADV C5051,5045 SERIES 100V	
T3	FK2-0681-000		2	TRANSFORMER	EXCEPT iR-ADV C5051,5045 SERIES 100V	

FIGURE 980  
IMAGING 1ST TRNS.H.V.ASS'Y, BK

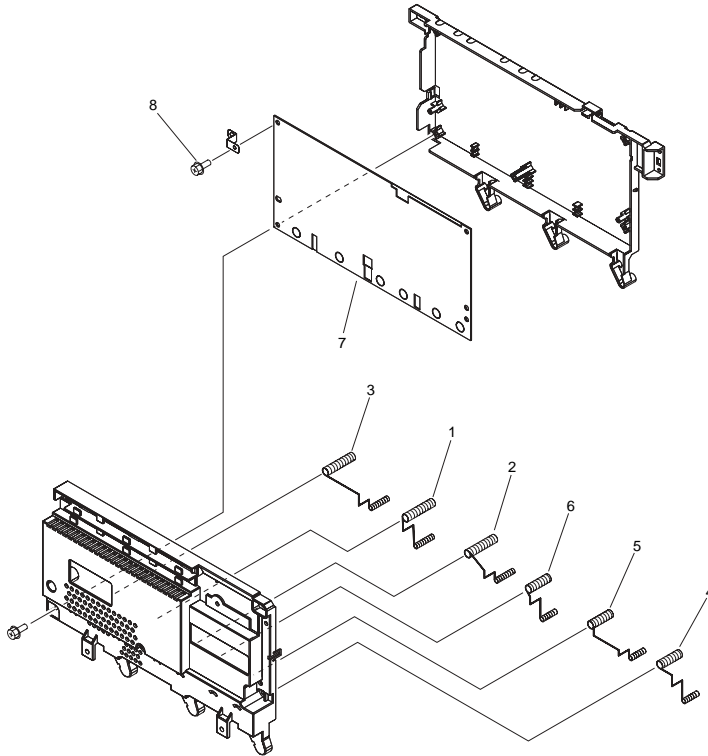


FIGURE & KEY NO.	PARTS NUMBER	R A N K	Q'TY	DESCRIPTION	SERIAL NUMBER/ REMARKS	S V C
Fig.980	FM3-6038-000		1	4C TRNS, BK DEV/ PRIM HV ASS'Y		
1	FC8-4087-000		1	SPRING, COMPRESSION		
2	FC8-4088-000		1	SPRING, COMPRESSION		
3	FC8-4089-000		1	SPRING, COMPRESSION		
4	FC8-5213-000		1	SPRING, COMPRESSION		
5	FC8-5214-000		1	SPRING, COMPRESSION		
6	FC8-5215-000		1	SPRING, COMPRESSION		
7	FK2-7349-000		1	H.V. POWER SUPPLY ASSEMBLY		
8	XA9-1038-000		1	SCREW,P,M4X10		

# FIGURE 981 2ND TRNSFR. HIGH VOLTAGE ASS'Y

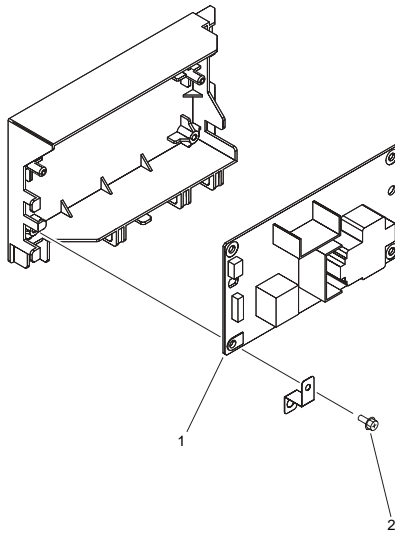


FIGURE & KEY NO.	PARTS NUMBER	RANK	QTY	DESCRIPTION	SERIAL NUMBER/REMARKS	SVC
Fig.981	FM3-6039-000		1	2ND TRNSFR. HIGH VOLTAGE ASS'Y		
1	FK2-7350-000		1	H.V. POWER SUPPLY PCB ASS'Y		
2	XA9-1038-000		4	SCREW,P,M4X10		



# FIGURE A01 ATTACHMENT PARTS (REVERSE ADF)

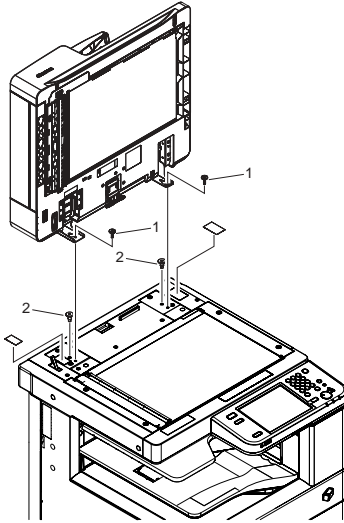


FIGURE & KEY NO.	PARTS NUMBER	RANK	QTY	DESCRIPTION	SERIAL NUMBER/REMARKS	SVC
Fig.A01	NPN		RF	ATTACHMENT PARTS (REVERSE ADF)		
1	FU5-9167-000		2	SCREW, FIXED, M4		
2	FU5-9168-000		2	SCREW, STEPPED, M5		

# FIGURE A10 INTERNAL COMPONENTS (REVERSE ADF)

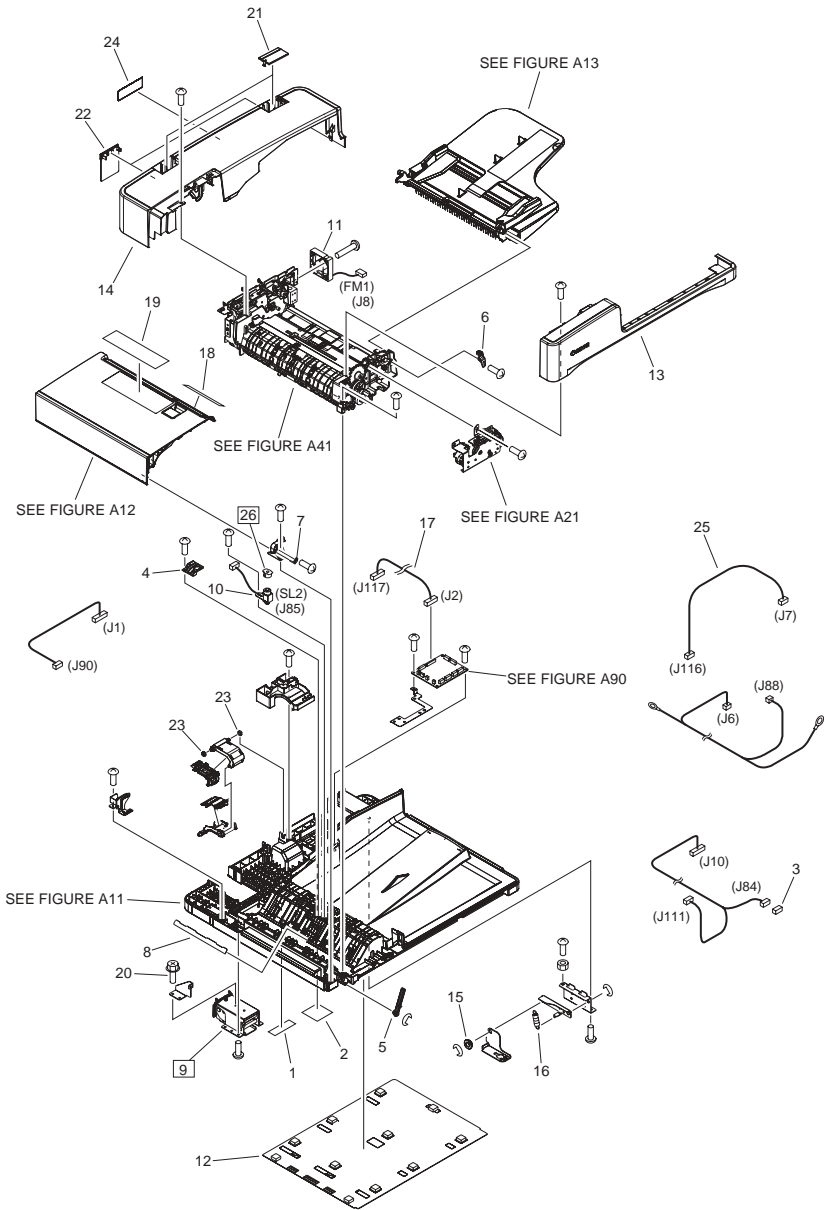


FIGURE & KEY NO.	PARTS NUMBER	R A N K	Q'TY	DESCRIPTION	SERIAL NUMBER/ REMARKS	S V C
Fig.A10	NPN		RF	ADF MAIN BODY (REVERS ADF)		
1	FU7-8142-000		1	LABEL, HINGE CAUTION		
2	FU7-8223-000		1	LABEL, HINGE CAUTION		
3	VS1-7177-002		1	CONNECTOR, SNAP TIGHT, BK		
4	FC8-6311-000		1	COVER, STAMP		
5	FC8-6330-000		1	LEVER, READ 1 ESTRANGEMENT		
6	FC8-6387-000		1	HOLDER, TRAY SUPPORT		
7	FC8-6388-000		1	HOLDER, FEEDER SHAFT		
8	FC8-6405-000		1	SHEET, READ 2 LEAD		
9	FC9-4956-000		1	HINGE, LEFT	[DP]	
10	FK2-0216-000		1	SOLENOID	SL2	
11	FK2-8612-000		1	FAN	FM1	
12	FL3-2861-000		1	COPYBOARD		
13	FC9-4942-000		1	COVER, FRONT		
14	FC9-4943-000		1	COVER, REAR		
15	FU5-1173-000		1	BUSHING		
16	FU7-2651-000		1	SPRING, TENSION		
17	FK2-8614-000		1	CABLE, I/F		
18	FU7-8138-000		1	LABEL, DOCUMENT SIZE		
19	FU7-8135-000		1	LABEL, PROHIBITION DOCUMENT		
20	XA9-0732-000		6	SCREW,RS,M4		
21	FC9-4944-000		2	COVER, HINGE SCREW BLANKING		
22	FM4-1730-000		2	HINGE BLANKING ASSEMBLY		
23	FU5-1168-000		2	BUSHING		
24	FU7-8164-000		1	LABEL,FINGER NIP CAUTION,JAPAN		
25	FM4-1738-000		1	CORD, POWER SUPPLY		
26	FC7-5465-000		1	STAMPER	[DP]	

FIGURE A11  
BASE ASSEMBLY (REVERSE ADF)

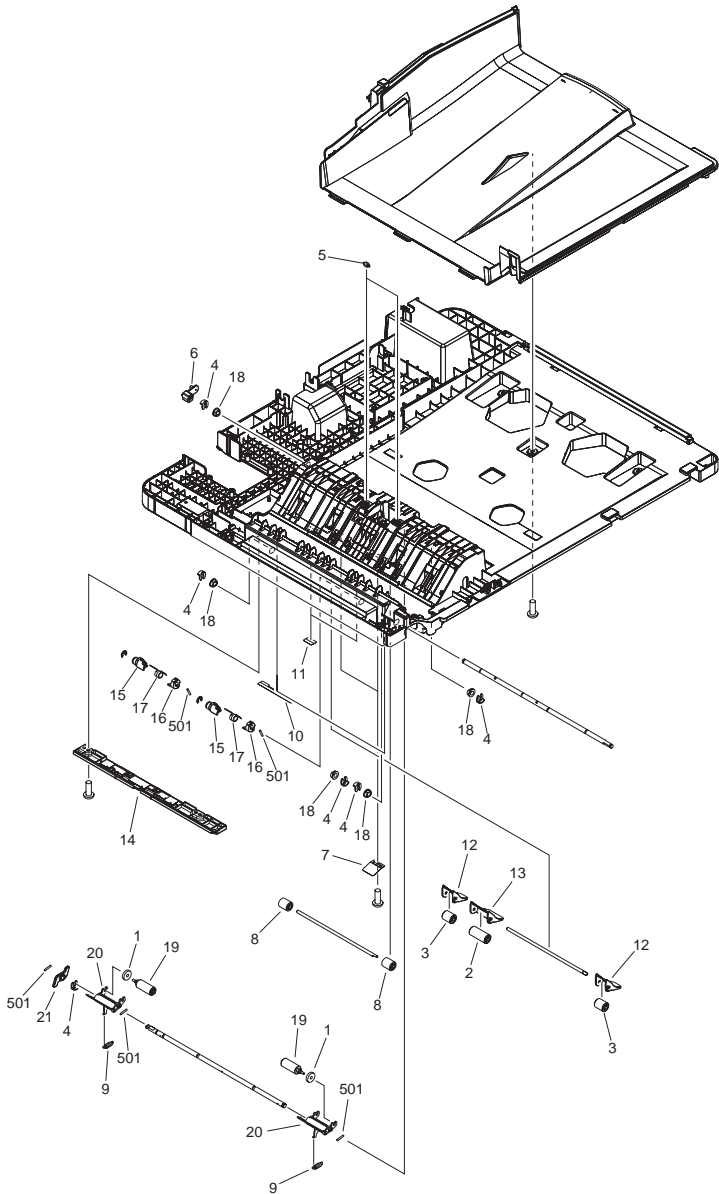


FIGURE & KEY NO.	PARTS NUMBER	R A N K	Q'TY	DESCRIPTION	SERIAL NUMBER/ REMARKS	S V C
Fig.A11	NPN		RF	BASE ASSEMBLY (REVERSE ADF)		
1	FC8-6419-000		2	DAMPER, DELIVERY		
2	FC5-4286-000		1	ROLLER, PAPER FEED, 1		
3	FC5-4287-000		2	ROLLER, PAPER FEED, 2		
4	FC5-4425-000		6	CLIP		
5	FC6-8973-000		2	ROLLER, PLATEN		
6	FC8-6319-000		1	HOLDER, SOLENOID		
7	FC8-6322-000		2	SPRING, LEAF		
8	FC8-6404-000		2	ROLLER, READ 2 PINCH		
9	FU7-2652-000		2	SPRING, TENSION		
10	FC8-6422-000		2	SHEET, PAPER FEED		
11	FC8-6423-000		2	SHEET, PAPER FEED		
12	FL2-9933-000		2	HOLDER, ROLLER, SMALL		
13	FL2-9934-000		1	HOLDER, ROLLER, LARGE		
14	FL3-2860-000		1	COVER, BASE, LOWER		
15	FC8-6331-000		2	LEVER, READ 1 PRESSURE		
16	FC8-6332-000		2	COLLAR, READ 1 PRESSURE		
17	FC9-9203-000		2	SPRING, TORSION		
18	FU5-1168-000		5	BUSHING		
19	FC8-6316-000		2	ROLLER, DELIVERY		
20	FC8-6317-000		2	HOLDER, DELIVERY ROLLER		
21	FC8-6318-000		1	CAM, DELIVERY ESTRANGEMENT		
501	XD3-2200-122		5	PIN, DOWEL		

FIGURE A12  
PAPER PICK-UP COVER ASSEMBLY (REVERSE ADF)

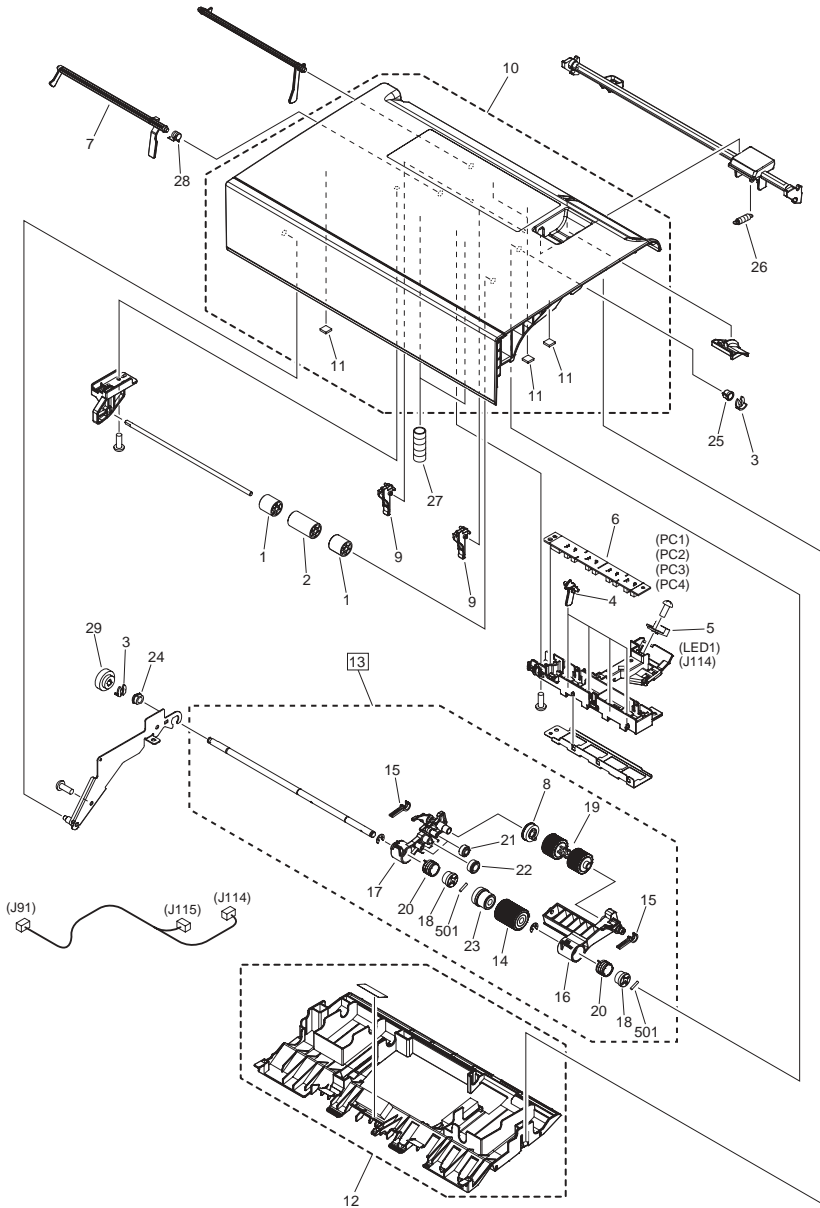


FIGURE & KEY NO.	PARTS NUMBER	R A N K	Q'TY	DESCRIPTION	SERIAL NUMBER/ REMARKS	S V C
Fig.A12	FM4-1727-000		1	PAPER PICK-UP COVER ASSEMBLY		
1	FC5-4323-000		2	ROLLER, REGISTRATION, 1		
2	FC5-4324-000		1	ROLLER, REGISTRATION, 2		
3	FC5-4425-000		2	CLIP		
4	FC9-4973-000		4	LEVER, WIDTH SENSOR		
5	FM4-1737-000		1	LED PCB UNIT		
6	FM4-1747-000		1	SENSOR PCB ASS'Y	PC1,PC2,PC3,PC4	
7	FC8-6348-000		1	LEVER, TIMING SENSOR		
8	FU8-0890-000		1	GEAR, 33T		
9	FL2-9948-000		2	SHUTTER		
10	FL3-2447-000		1	COVER, PAPER PICK-UP		
11	FC8-6403-000		4	DAMPER, REV. GUIDE RETAINING		
12	FL3-2448-000		1	GUIDE, PAPER PICK-UP, LOWER		
13	FM4-1728-000		1	PAPER PICK-UP ROLLER UNIT	[DP]	
14	FC6-2784-000		1	ROLLER, PAPER SEPARATION		
15	FC6-8971-010		2	LEVER, STOP		
16	FC9-4966-000		1	ARM, PICK, FRONT		
17	FC9-4967-000		1	ARM, PICK, REAR		
18	FC8-6353-000		2	JOINT		
19	FC9-4968-000		1	ROLLER, PICK-UP		
20	FC9-4982-000		2	SPRING, TORSION		
21	FU8-0299-000		2	GEAR, 20T		
22	FU8-0300-000		1	GEAR, 22T		
23	FC9-4970-000		1	GEAR, 33T		
24	FU5-1172-000		1	BUSHING		
25	FU5-1626-000		1	BUSHING		
26	FU7-2654-000		1	SPRING, TENSION		
27	FU7-2655-000		2	SPRING, COMPRESSION		
28	FU7-2656-000		1	SPRING, TORSION		
29	FU8-0302-000		1	GEAR, 24T		
501	XD3-2200-102		2	PIN, DOWEL		

# FIGURE A13 DOCUMENT TRAY ASSEMBLY (REVERSE ADF)

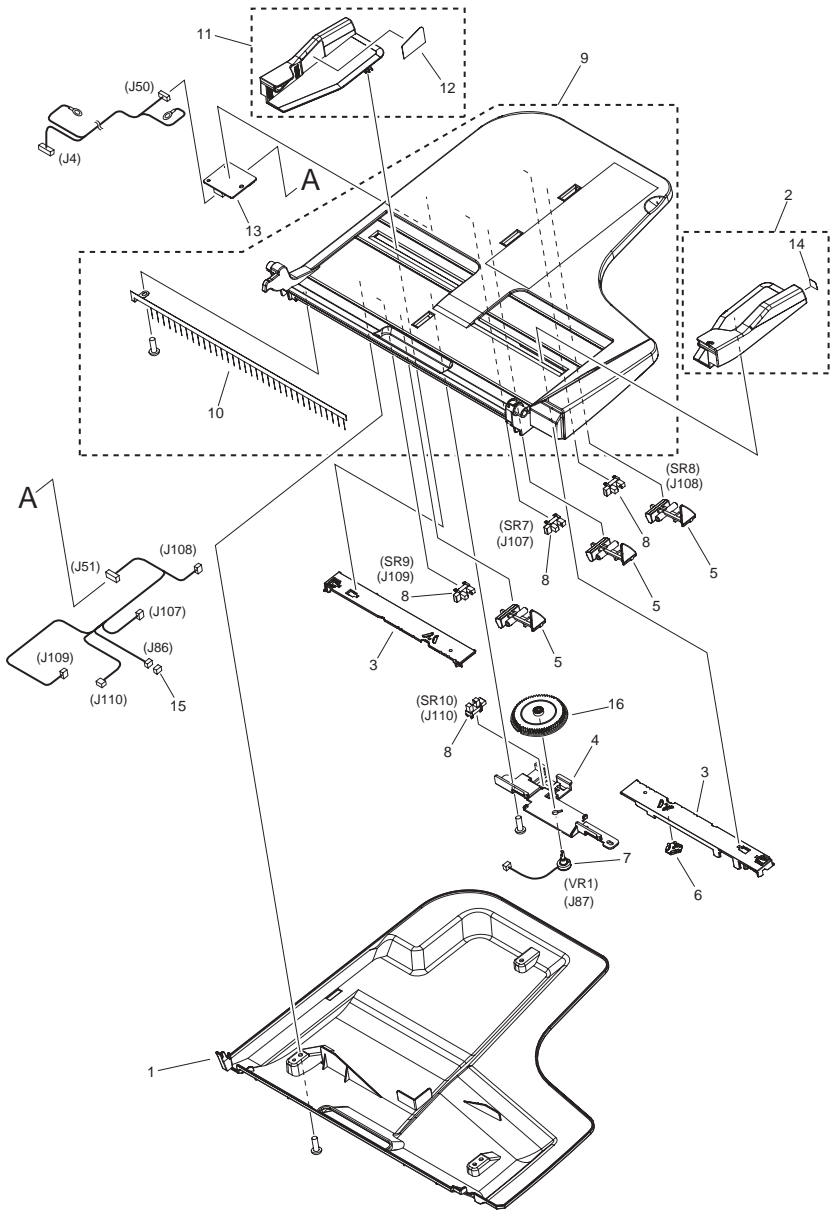




FIGURE & KEY NO.	PARTS NUMBER	R A N K	Q'TY	DESCRIPTION	SERIAL NUMBER/REMARKS	S V C
Fig.A13	FM4-1729-000		1	DOCUMENT TRAY ASSEMBLY		
1	FL3-2450-000		1	COVER, TRAY, LOWER		
2	FL3-2451-000		1	GUIDE, TRAY, FRONT		
3	FC9-4983-000		2	RACK, TRAY		
4	FC8-6338-000		1	HOLDER, TRAY VOLUME		
5	FC8-6339-000		3	LEVER, TRAY SENSOR		
6	FC8-6340-000		1	RACK, TRAY		
7	FG3-3757-000		1	VARIABLE RESISTOR UNIT	VR1	
8	WG8-5696-000		4	PHOTO INTERRUPTER, TLP1243	SR7,SR8,SR9,SR10	
9	FL3-2449-000		1	TRAY, DOCUMENT		
10	FC8-6341-000		1	ELIMINATOR, STATIC CHARGE		
11	FL3-2452-000		1	GUIDE, TRAY, REAR		
12	FU7-8134-000		1	LABEL, DOCUMENT MAXIMUM LOAD		
13	FM4-1748-000		1	CONNECTING PCB UNIT		
14	FU7-8133-000		1	LABEL, DOCUMENT MAXIMUM LOAD		
15	VS1-7177-003		1	CONNECTOR, SNAP TIGHT, BK		
16	FC9-4984-000		1	GEAR, 50T		

# FIGURE A21 DRIVE ASSEMBLY (REVERSE ADF)

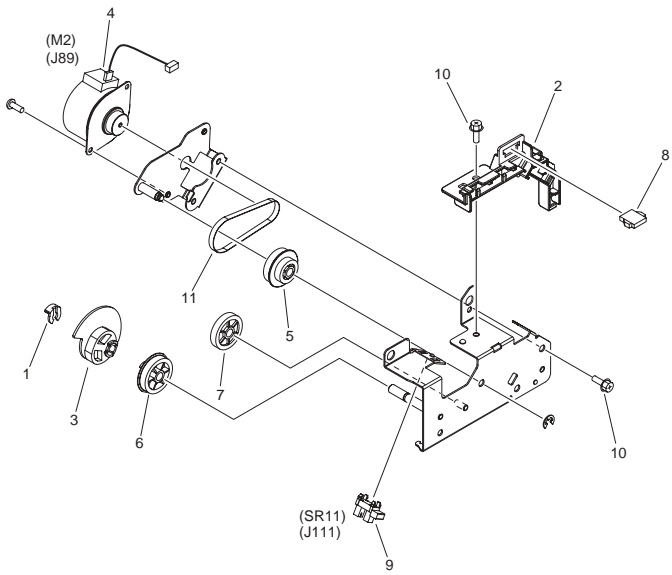
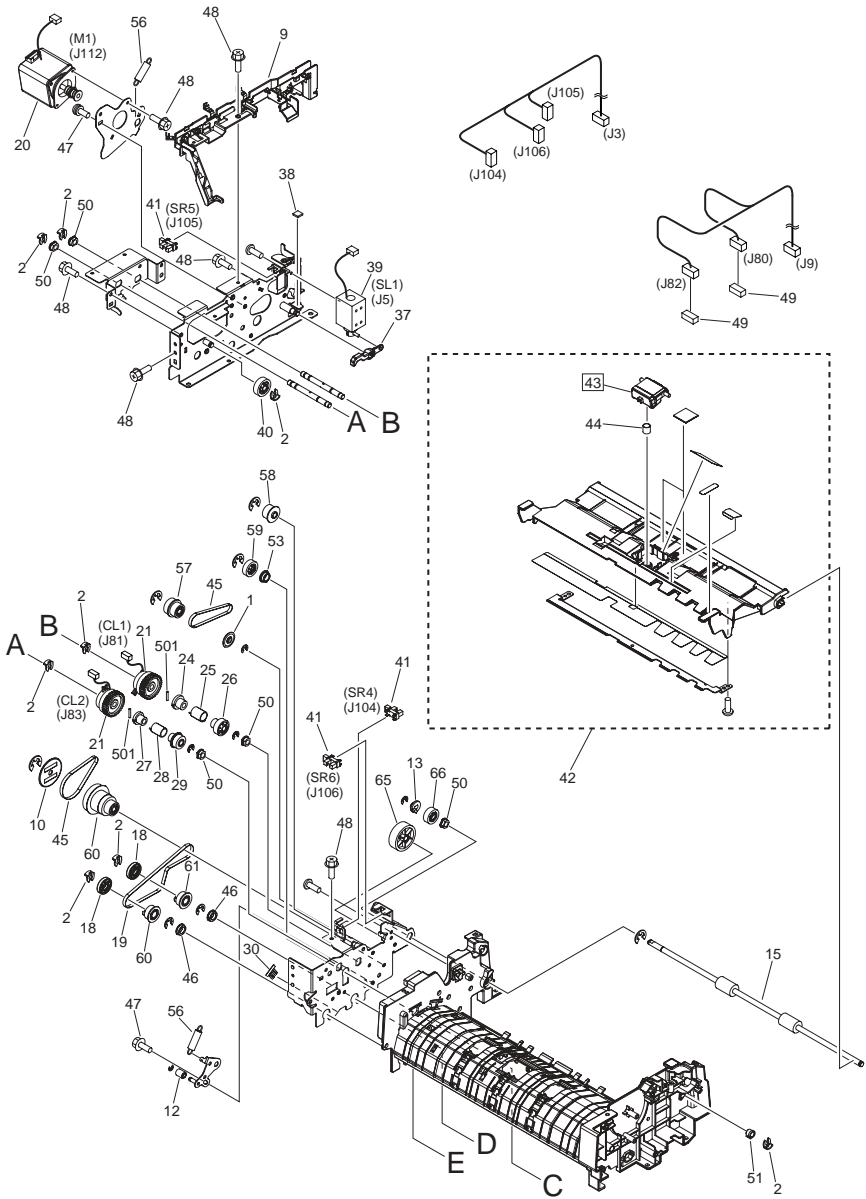


FIGURE & KEY NO.	PARTS NUMBER	RANK	Q'TY	DESCRIPTION	SERIAL NUMBER/REMARKS	SVC
1	FC5-4425-000		2	CLIP		
2	FC8-6406-000		1	DUCT, ESTRANGEMENT HARNESS		
3	FC8-6407-000		1	CAM, ESTRANGEMENT		
4	FK2-0207-000		1	MOTOR, STEPPING, DC	M2	
5	FU8-0311-000		1	GEAR/PULLEY, 40T/20T		
6	FU8-0319-000		1	GEAR, 31T		
7	FU8-0320-000		1	GEAR, 30T		
8	VS1-7177-004		1	CONNECTOR, SNAP TIGHT, BK		
9	WG8-5696-000		1	PHOTO INTERRUPTER, TLP1243	SR11	
10	XA9-0732-000		3	SCREW,RS,M4		
11	XF2-1607-640		1	BELT, TIMING		

# FIGURE A41 FEEDER ASSEMBLY (REVERSE ADF)



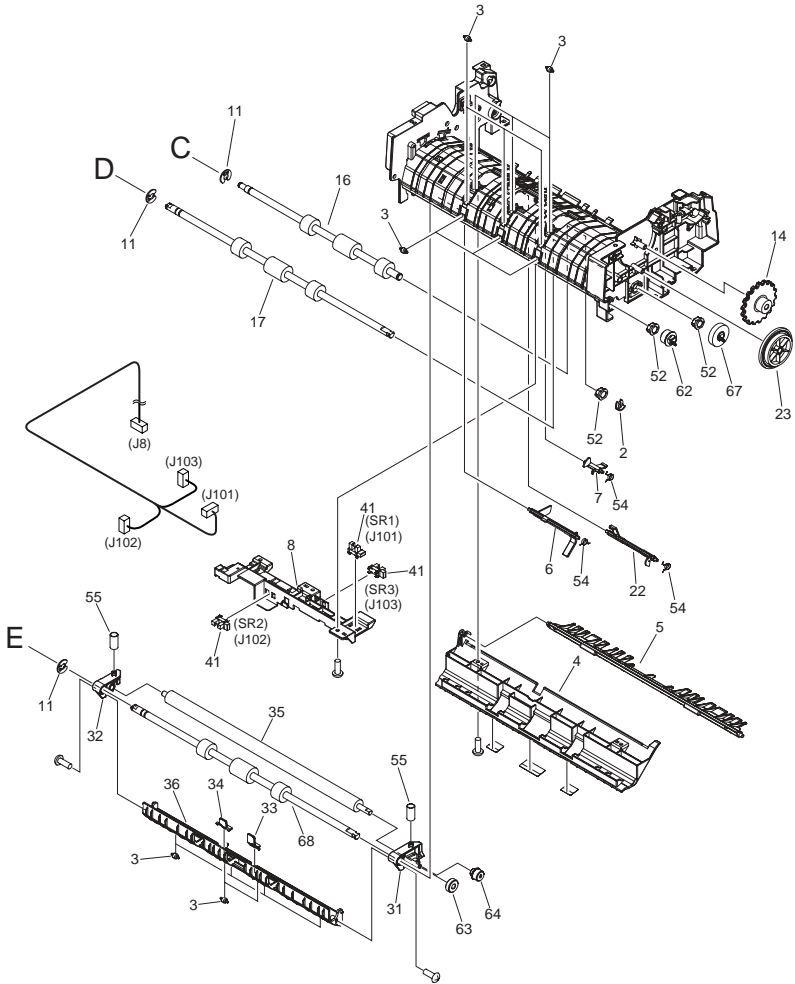


FIGURE & KEY NO.	PARTS NUMBER	R A N K	Q'TY	DESCRIPTION	SERIAL NUMBER/ REMARKS	S V C
Fig.A41	FM4-1724-000		1	FEED ASSEMBLY (REVERSE ADF)		
1	FC5-4353-000		1	FLANGE, BELT		
2	FC5-4425-000		9	CLIP		
3	FC6-8973-000		15	ROLLER, PLATEN		
4	FC8-6368-000		1	GUIDE, PLATEN, 2		
5	FL2-9949-000		1	FLAPPER, REVERSE		
6	FC8-6371-000		1	LEVER, READ SENSOR		
7	FC8-6372-000		1	LEVER, PAPER DELIVERY SENSOR		
8	FC8-6377-000		1	HOLDER, SENSOR		
9	FC8-6378-000		1	DUCT, HARNESS		
10	FC8-6379-000		1	FLANGE, PULLEY		
11	FC8-6380-000		3	CLIP		
12	FC8-6382-000		1	ROLLER, BELT TENSION		
13	FC8-6385-000		1	JOINT, DELIVERY GEAR		
14	FC8-6386-000		1	DIAL, JAM		
15	FC0-0416-000		1	ROLLER, DELIVERY		
16	FC0-0417-000		1	ROLLER, REGISTRATION		
17	FC0-0418-000		1	ROLLER, READ		
18	FC8-6418-000		2	JOINT, READ PULLEY		
19	FC8-6421-000		1	BELT, TIMING		
20	FK2-8611-000		1	MOTOR, STEPPING, DC	M1	
21	FK2-6870-000		2	CLUTCH, ELECTROMAGNETIC	CL1,CL2	
22	FL2-9937-000		1	FLAG, REGISTRATION SENSOR		
23	FU8-0318-000		1	GEAR, 48T/62T		
24	FC8-6383-000		1	JOINT, PICK-UP		
25	FC9-4981-000		1	SPRING, TORSION		
26	FU8-0304-000		1	GEAR, 22T		
27	FC8-6384-000		1	JOINT, REGISTRATION		
28	FC8-6412-000		1	SPRING, TORSION		
29	FU8-0307-000		1	GEAR, 18T		
30	FC8-6399-000		1	ELIMINATOR, STATIC CHARGE		
31	FC8-6373-000		1	ARM, PLATEN, FRONT		

FIGURE & KEY NO.	PARTS NUMBER	R A N K	Q'TY	DESCRIPTION	SERIAL NUMBER/ REMARKS	S V C
32	FC8-6374-000		1	ARM, PLATEN, REAR		
33	FC9-0048-000		1	SPACER, PLATEN GUIDE, FR. 1		
34	FC9-0049-000		1	SPACER, PLATEN GUIDE, RR. 1		
35	FC0-0419-000		1	ROLLER, WHITE		
36	FL2-9939-000		1	GUIDE, PLATEN, 1		
37	FC8-6381-000		1	LINK, SOLENOID		
38	FC8-6403-000		1	DAMPER, REV. GUIDE RETAINING		
39	FK2-6871-000		1	SOLENOID	SL1	
40	FU8-0306-000		1	GEAR, 25T		
41	WG8-5696-000		6	PHOTO INTERRUPTER, TLP1243	SR1,SR2,SR3,SR4,SR5,S R6	
42	FM4-1725-000		1	GUIDE, SEPARATION REVERSE		
43	FL2-9942-000		1	HOLDER, SEPARATION PAD UNIT	[DP]	
44	FU7-2657-000		1	SPRING, COMPRESSION		
45	XF2-1607-640		2	BELT, TIMING		
46	XG9-0709-000		2	BEARING, BALL, MF128ZZ-3		
47	XA9-0702-000		3	SCREW, WWASHER, M3X6		
48	XA9-1164-000		8	SCREW,RS,M3X6.5		
49	VS1-7177-002		2	CONNECTOR, SNAP TIGHT, BK		
50	FU5-1172-000		5	BUSHING		
51	FU5-1626-000		1	BUSHING		
52	FU6-1088-000		3	BUSHING		
53	FU6-1089-000		1	BUSHING		
54	FU7-2658-000		3	SPRING, TORSION		
55	FU7-2659-000		2	SPRING, COMPRESSION		
56	FU7-2660-000		2	SPRING, TENSION		
57	FU8-0303-000		1	GEAR/PULLEY, 27T/22T		
58	FU8-0305-000		1	GEAR, 18T		
59	FU8-0308-000		1	GEAR, 22T		
60	FU8-0309-000		1	GEAR/PULLEY, 36T/54T/28T		
61	FU8-0310-000		2	PULLEY, 36T		
62	FU8-0312-000		1	GEAR, 18T		

FIGURE & KEY NO.	PARTS NUMBER	R A N K	Q'TY	DESCRIPTION	SERIAL NUMBER/ REMARKS	S V C
63	FU8-0313-000		1	GEAR, 18T		
64	FU8-0314-000		1	GEAR, 14T		
65	FU8-0315-000		1	GEAR, 39T		
66	FU8-0316-000		1	GEAR, 21T		
67	FU8-0317-000		1	GEAR, 32T		
68	FC8-6397-000		1	ROLLER, READ		
501	XD3-2200-122		2	PIN, DOWEL		



# FIGURE A90 ADF CONTROLLER PCB ASSEMBLY (REVERSE ADF)

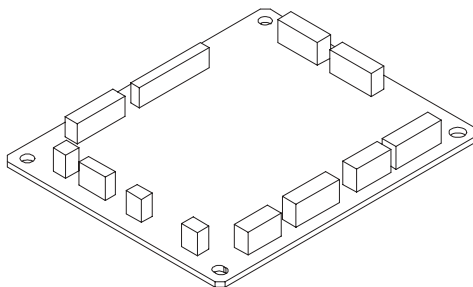


FIGURE & KEY NO.	PARTS NUMBER	RANK	QTY	DESCRIPTION	SERIAL NUMBER/REMARKS	SVC
Fig.A90	FM4-1736-000		1	ADF PCB ASSEMBLY		

# FIGURE B01 ATTACHMENT PARTS (ONE-PATH ADF)

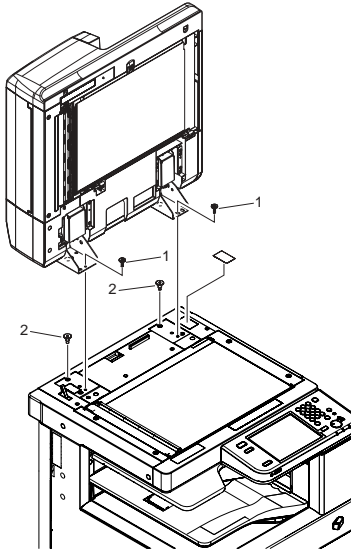


FIGURE & KEY NO.	PARTS NUMBER	RANK	QTY	DESCRIPTION	SERIAL NUMBER/REMARKS	SVC
Fig.B01	NPN		RF	ATTACHMENT PARTS (1-PATH ADF)		
1	FU5-9167-000		4	SCREW, FIXED, M4		
2	FU5-9168-000		2	SCREW, STEPPED, M5		

# FIGURE B11 INTERNAL COMPONENTS 1 (ONE-PATH ADF)

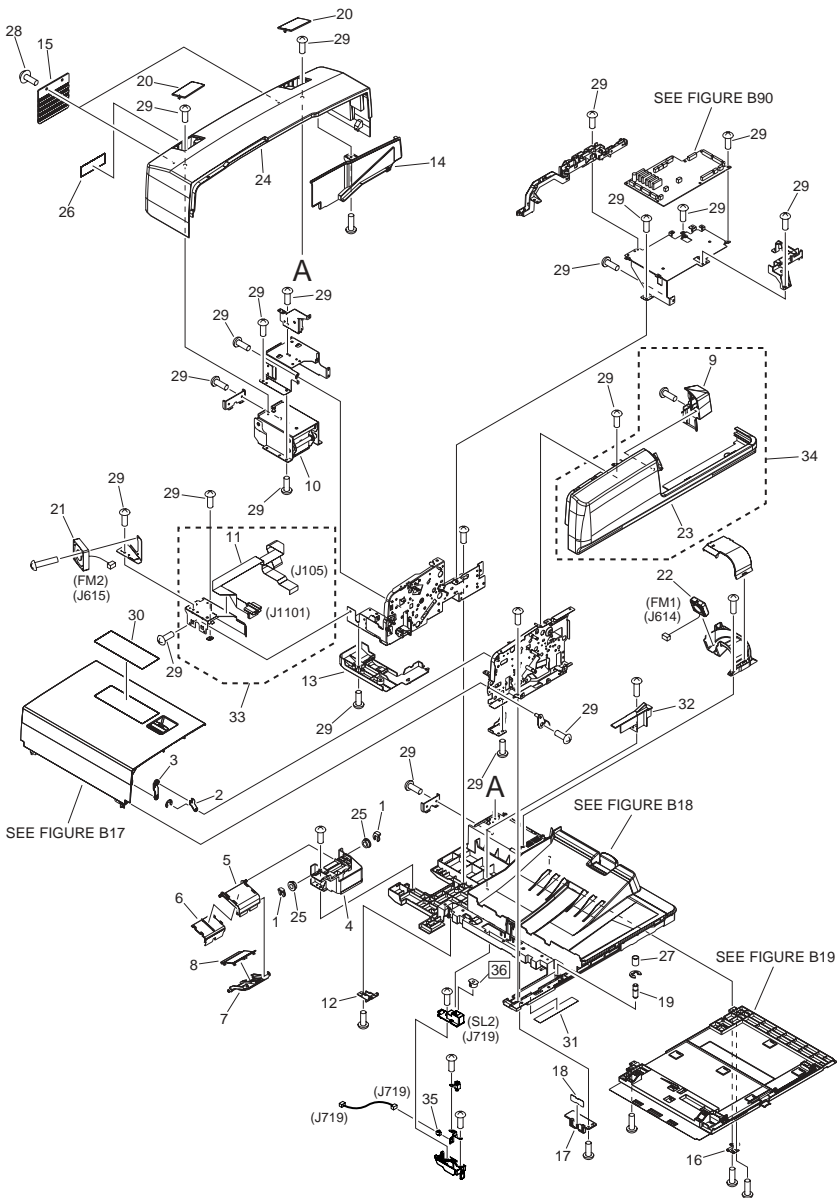


FIGURE & KEY NO.	PARTS NUMBER	R A N K	Q'TY	DESCRIPTION	SERIAL NUMBER/ REMARKS	S V C
Fig.B11	NPN		RF	ADF MAIN BODY 1 (1-PATH ADF)		
1	FC5-4424-000		2	CLIP		
2	FC8-5528-000		1	STOPPER, OPEN/CLOSE COVER, 1		
3	FC8-5529-000		1	STOPPER, OPEN/CLOSE COVER, 2		
4	FC8-5549-000		1	COVER, FLEXIBLE FLAT CABLE		
5	FL2-9588-000		1	CASE, FLEXIBLE FLAT CABLE, 1A		
6	FL2-9589-000		1	CASE, FLEXIBLE FLAT CABLE, 1B		
7	FC8-5552-000		1	CASE, FLEXIBLE FLAT CABLE, 2A		
8	FC8-5553-000		1	CASE, FLEXIBLE FLAT CABLE, 2B		
9	FC8-5620-000		1	COVER, FRONT, B		
10	FC8-5777-000		1	HINGE, LEFT		
11	FK2-7182-000		1	CABLE, FLEXIBLE FLAT		
12	FC8-5789-000		1	COVER, STAMP CABLE		
13	FC8-5790-000		1	COVER, BASE FRAME, A		
14	FC8-5879-000		1	COVER, REAR, B		
15	FC8-5890-000		2	COVER, HINGE		
16	FC8-5811-000		1	HINGE, PLATE		
17	FC8-5833-000		1	COVER, PAPER DEL. SENSOR, A		
18	FC8-5834-000		1	COVER, PAPER DEL. SENSOR, B		
19	FC8-5837-000		1	PIN		
20	FC8-5889-000		2	COVER, HINGE ADJUSTMENT		
21	FK2-7243-000		1	FAN	FM2	
22	FL2-9587-000		1	FAN	FM1	
23	FL2-9708-000		1	COVER, FRONT, A		
24	FL2-9709-000		1	COVER, REAR, A		
25	FS5-1372-000		2	BUSHING		
26	FU7-8164-000		1	LABEL,FINGER NIP CAUTION,JAPAN		
27	FU7-2560-000		1	SPRING, COMPRESSION		
28	XA9-1939-000		4	SCREW, W/WASHER P, M3X8		
29	XA9-1031-000		90	SCREW, MACH. TRUSS HEAD, M4X6		
30	FU6-8708-000		1	LABEL, PROHIBITION DOCUMENT		
31	FC7-5461-000		1	LABEL, CLEANING PROCESS		

FIGURE & KEY NO.	PARTS NUMBER	R A N K	Q'TY	DESCRIPTION	SERIAL NUMBER/ REMARKS	S V C
32	FC8-5796-000		1	COVER, BASE FRAME, C		
33	FM3-6213-000		1	FLEXIBLE FLAT CABLE UNIT		
34	FM3-6238-000		1	FRONT COVER U ASSEMBLY, D		
35	VS1-7177-002		1	CONNECTOR, SNAP TIGHT, BK		
36	FC7-5465-000		1	STAMPER	[DP]	

# FIGURE B12 INTERNAL COMPONENTS 2 (ONE-PATH ADF)

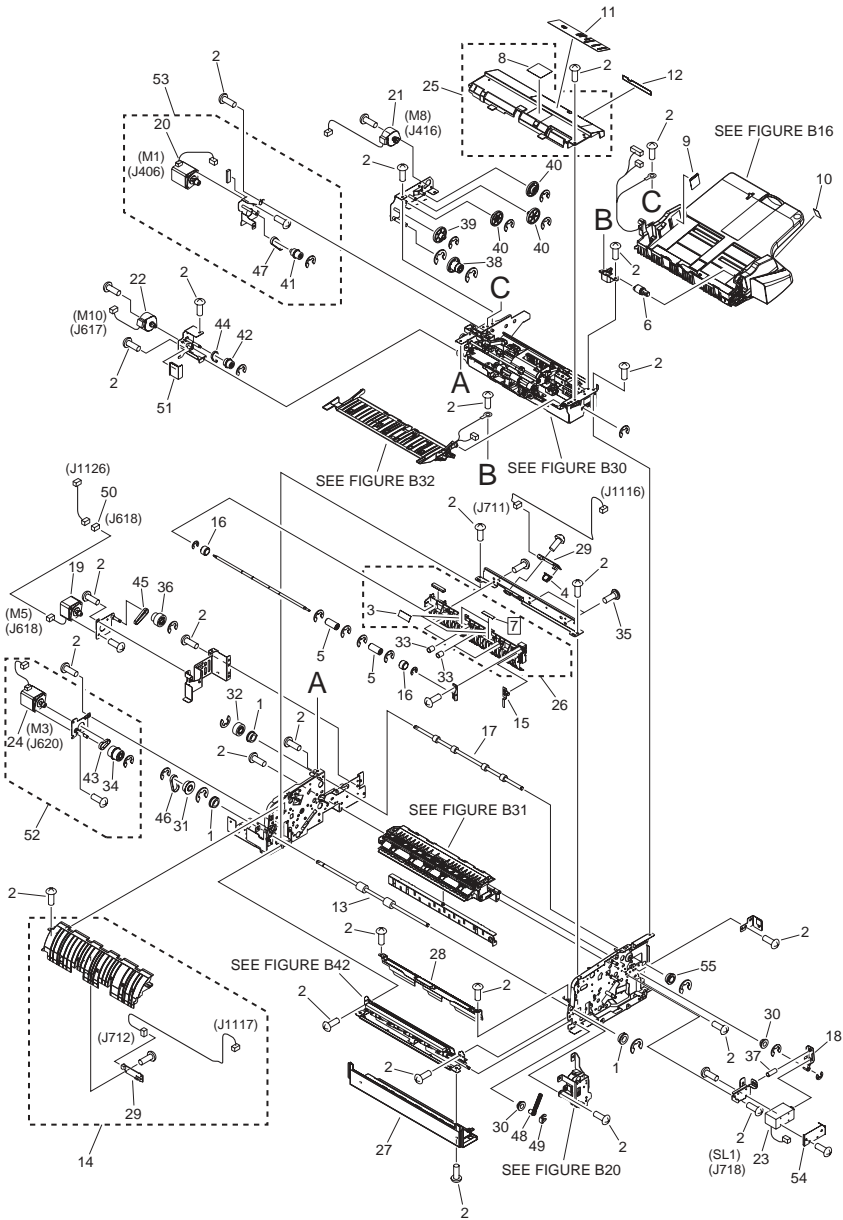


FIGURE & KEY NO.	PARTS NUMBER	R A N K	Q'TY	DESCRIPTION	SERIAL NUMBER/ REMARKS	S V C
Fig.B12	NPN		RF	ADF MAIN BODY 2 (1-PATH ADF)		
1	FA9-2112-000		3	BUSHING, PL		
2	XA9-1031-000		60	SCREW, MACH. TRUSS HEAD, M4X6		
3	FC5-2954-000		2	SCRAPER		
4	FC5-3131-000		1	HOLDER, SEPARATION SENSOR		
5	FC7-4188-000		2	ROLLER, REGISTRATION		
6	FC8-5623-000		1	DAMPER, DOCUMENT TRAY		
7	FC8-5633-000		2	SHEET, CLEANER DUST		
8	FC8-5657-000		1	LABEL, JAM CLEARING		
9	FC8-5669-000		1	LABEL, DOCUMENT HEIGHT, A		
10	FC8-5668-000		1	LABEL, DOCUMENT HEIGHT, B		
11	FC8-5660-000		1	LABEL, DOCUMENT SIZE		
12	FC8-5664-000		1	LABEL, DOCUMENT SIZE		
13	FC8-5680-000		1	ROLLER, REGISTRATION		
14	FM3-6194-000		1	PRE-REG. INNER GUIDE ASSEMBLY		
15	FC8-5739-000		1	SPRING, LEAF		
16	FC8-5776-000		2	ROLLER, PRESSURE		
17	FC8-5814-000		1	ROLLER, DELIVERY		
18	FC8-5828-000		1	LEVER, PAPER DELIVERY SOLENOID		
19	FK2-3714-000		1	MOTOR, STEPPING, DC	M5	
20	FK2-7174-000		1	MOTOR, STEPPING, DC	M1	
21	FK2-7176-000		1	MOTOR, STEPPING, DC	M8	
22	FK2-7177-000		1	MOTOR, STEPPING, DC	M10	
23	FK2-7179-000		1	SOLENOID	SL1	
24	FK2-7181-000		1	MOTOR, STEPPING, DC	M3	
25	FL2-9619-000		1	COVER, PAPER PICK-UP, UPPER		
26	FL2-9663-000		1	GUIDE, REG. INNER, LOWER		
27	FL2-9590-000		1	COVER, SIDE, LEFT		
28	FL2-9665-000		1	GUIDE, REGISTRATION		
29	FM2-1022-000		2	SENSOR PCB UNIT		
30	FS1-1569-000		2	BUSHING		
31	FU5-0338-000		1	PULLEY, 30T		

FIGURE & KEY NO.	PARTS NUMBER	R A N K	Q'TY	DESCRIPTION	SERIAL NUMBER/ REMARKS	S V C
32	FU5-0340-000		1	GEAR, 24T		
33	FU5-2234-000		4	SPRING, COMPRESSION		
34	FU5-3534-000		2	PULLEY, 30T/30T(REG)		
35	FU5-9372-000		2	SCREW, STEPPED, M3X10		
36	FU7-0515-000		1	PULLEY, 24T/GEAR, 24T		
37	FU7-2559-000		1	SPRING, COMPRESSION		
38	FU8-0228-000		1	GEAR, 20T/48T		
39	FU8-0229-000		2	GEAR, 16T/50T		
40	FU8-0230-000		2	GEAR, 25T/48T		
41	FU8-0232-000		1	GEAR, 16T/PULLEY, 30T		
42	FU8-0235-000		1	GEAR, 22T/PULLEY, 32T		
43	XF2-1104-360		1	BELT, TIMING		
44	XF2-1104-440		1	BELT, TIMING		
45	XF2-1105-660		1	BELT, TIMING		
46	XF2-1106-260		1	BELT, TIMING		
47	XF2-1106-560		1	BELT, TIMING		
48	FC5-2991-000		1	ARM, RELEASE		
49	FC5-4424-000		1	CLIP		
50	VS1-7177-006		1	CONNECTOR, SNAP TIGHT, BK		
51	FC8-5901-000		1	SHEET, HEAT INSULATING		
52	FM3-6189-000		1	REGISTRATION DRIVE ASSEMBLY		
53	FM3-6212-000		1	PAPER PICK-UP DRIVE ASSEMBLY		
54	FC8-5772-000		1	PLATE, SOLENOID ELEM. PROTECT.		
55	XG9-0709-000		1	BEARING, BALL, MF128ZZ-3		



# FIGURE B13 INTERNAL COMPONENTS 3 (ONE-PATH ADF)

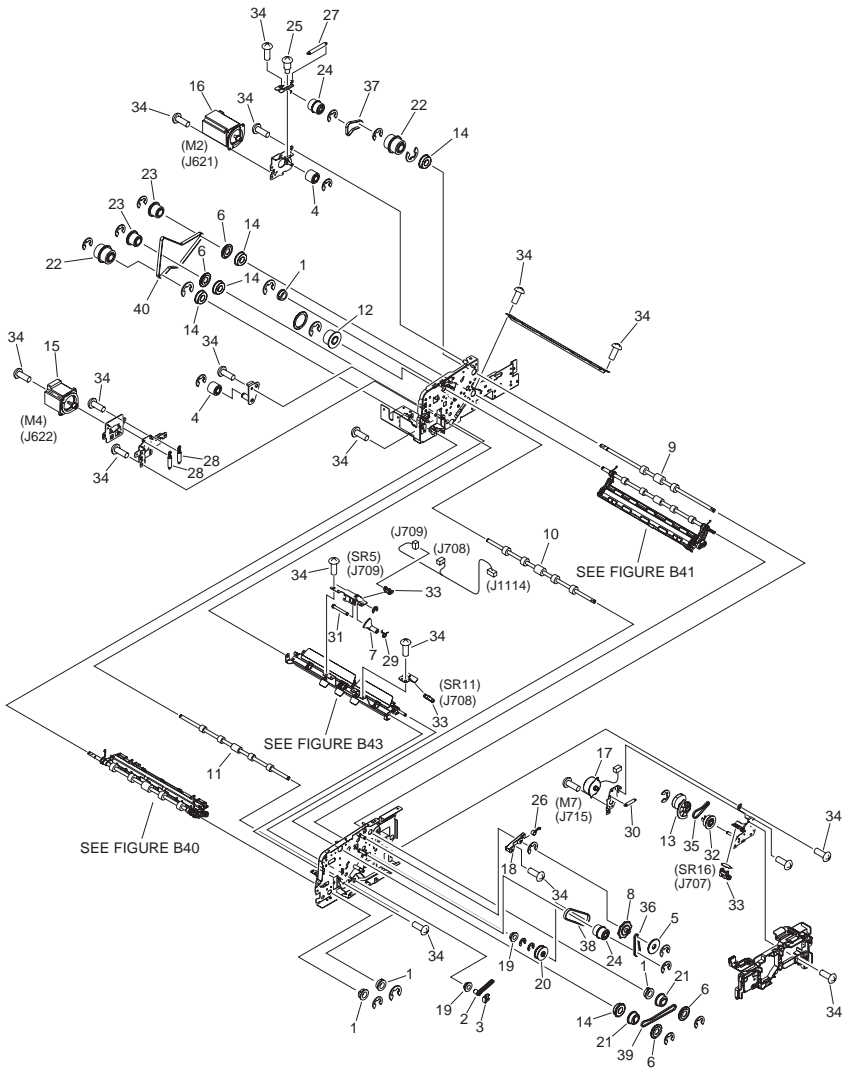


FIGURE & KEY NO.	PARTS NUMBER	R A N K	Q'TY	DESCRIPTION	SERIAL NUMBER/ REMARKS	S V C
Fig.B13	NPN		RF	ADF MAIN BODY 3 (1-PATH ADF)		
1	FA9-2112-000		4	BUSHING, PL		
2	FC5-2991-000		1	ARM, RELEASE		
3	FC5-4424-000		1	CLIP		
4	FC7-0285-000		2	PULLEY, TENSION		
5	FC7-4185-000		1	STOPPER, BELT		
6	FC8-5484-000		4	FLANGE, PULLEY		
7	FC8-5509-000		1	FLAG, SENSOR		
8	FC8-5530-000		1	DIAL, JAM CLEARING		
9	FC8-5580-000		1	ROLLER, EXTRACTION		
10	FC8-5679-000		1	ROLLER, PAPER FEED		
11	FC8-5682-000		1	ROLLER, READ, 2		
12	FC8-5725-000		1	PULLEY, IDLER		
13	FC8-5771-000		1	CAM, RELEASE, B		
14	XG9-0508-000		5	BEARING, BALL, F688ZZ		
15	FK2-7173-000		1	MOTOR, STEPPING, DC	M4	
16	FK2-7175-000		1	MOTOR, STEPPING, DC	M2	
17	FK2-7646-000		1	MOTOR, STEPPING, DC	M7	
18	FL2-9573-000		1	TENSIONER ASSEMBLY, FRONT		
19	FS1-1569-000		2	BUSHING		
20	FS5-3989-000		1	PULLEY, 32T		
21	FU5-0339-000		2	PULLEY, 23T		
22	FU5-3530-000		2	PULLEY, 30T		
23	FU5-3531-000		2	PULLEY, 24T		
24	FU5-3534-000		1	PULLEY, 30T/30T(REG)		
25	FU5-9038-000		1	SCREW, STEPPED, M3		
26	FU7-2552-000		1	SPRING, TORSION		
27	FU7-2553-000		1	SPRING, TENSION		
28	FU7-2554-000		2	SPRING, TENSION		
29	FU7-2561-000		1	SPRING, TORSION		
30	FU7-2564-000		1	SPRING, TENSION		
31	FU7-5186-000		1	SHAFT, SENSOR		

FIGURE & KEY NO.	PARTS NUMBER	R A N K	Q'TY	DESCRIPTION	SERIAL NUMBER/ REMARKS	S V C
32	FU8-0239-000		1	PULLEY, 33T	SR5,SR11,SR16	
33	WG8-5783-000		3	IC,PHOTO-INTERRUPTER,LG248NL1A		
34	XA9-1031-000		8	SCREW, MACH. TRUSS HEAD, M4X6		
35	XF2-1106-740		1	BELT, TIMING		
36	XF2-1107-640		1	BELT, TIMING		
37	XF2-1107-660		1	BELT, TIMING		
38	XF2-1107-940		1	BELT, TIMING		
39	XF2-1113-040		1	BELT, TIMING		
40	XF2-1123-080		1	BELT, TIMING		

FIGURE B14  
INTERNAL COMPONENTS 4 (ONE-PATH ADF)

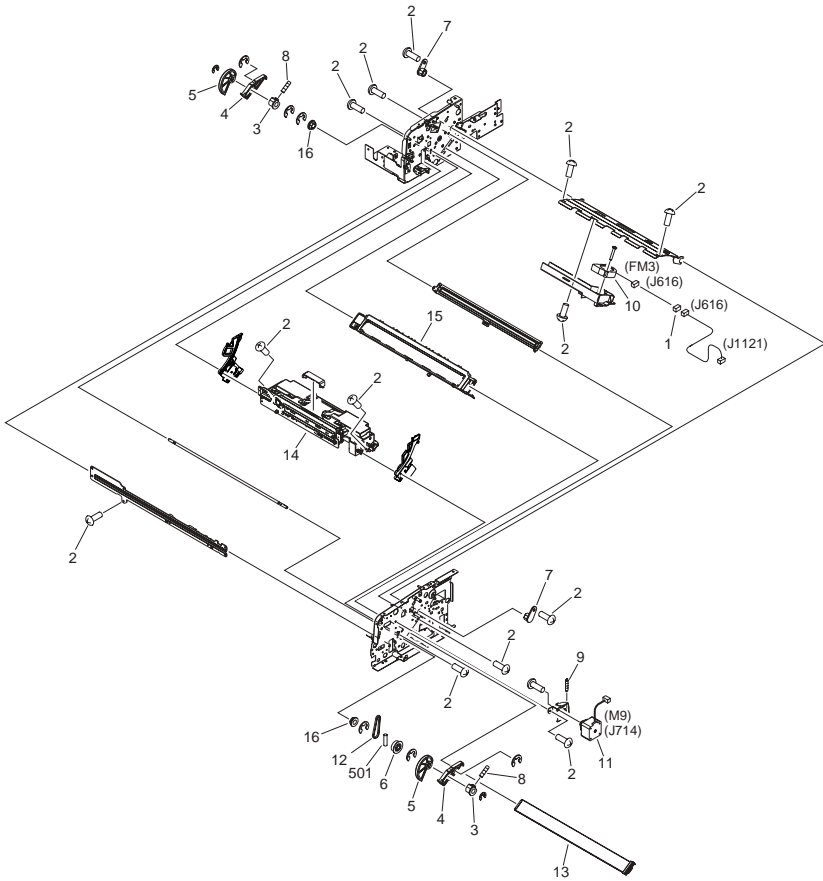


FIGURE & KEY NO.	PARTS NUMBER	R A N K	Q'TY	DESCRIPTION	SERIAL NUMBER/ REMARKS	S V C
Fig.B14	NPN		RF	ADF MAIN BODY 4 (1-PATH ADF)		
1	VS1-7177-003		1	CONNECTOR, SNAP TIGHT, BK		
2	XA9-1031-000		1	SCREW, MACH. TRUSS HEAD, M4X6		
3	FC8-5513-000		2	BUSHING		
4	FC8-5514-000		2	SLIDER		
5	FC8-5516-000		2	CAM, GLASS SHIFT		
6	FU8-0240-000		1	PULLEY		
7	FC8-5538-000		2	PIN, FLOAT		
8	FU7-2551-000		2	SPRING, COMPRESSION		
9	FU7-2550-000		1	SPRING, TENSION		
10	FK2-3149-000		1	FAN	FM3	
11	FK2-7178-000		1	MOTOR, STEPPING, DC	M9	
12	XF2-1107-240		1	BELT, TIMING		
13	FL2-9578-000		1	GLASS, READER		
14	FM3-5490-000		1	SCANNER UNIT, ADF		
15	FM3-6187-000		1	GLASS HOLDER ASSEMBLY		
16	FS1-1569-000		2	BUSHING		
501	XD3-2200-122		1	PIN, DOWEL		

# FIGURE B15 INTERNAL COMPONENTS 5 (ONE-PATH ADF)

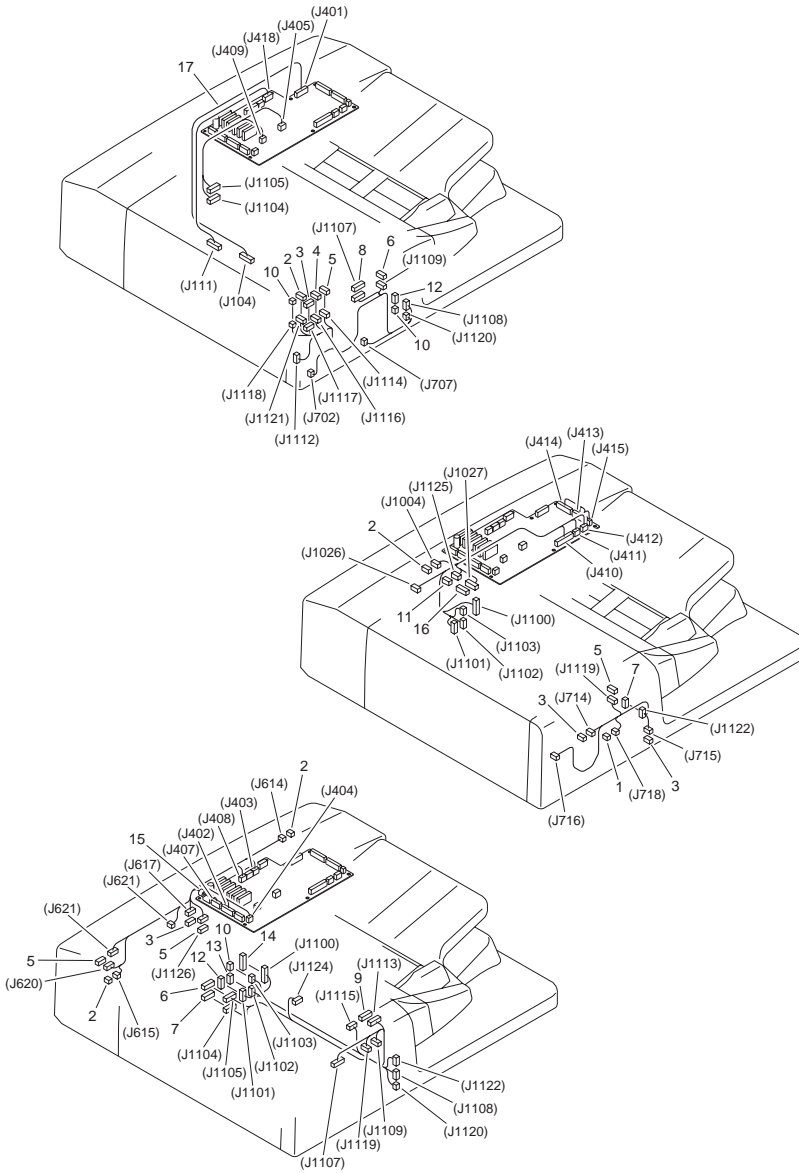


FIGURE & KEY NO.	PARTS NUMBER	R A N K	Q'TY	DESCRIPTION	SERIAL NUMBER/ REMARKS	S V C
Fig.B15	NPN		RF	ADF MAIN BODY 5 (1-PATH ADF)		
1	VS1-7177-002		1	CONNECTOR, SNAP TIGHT, BK		
2	VS1-7177-003		4	CONNECTOR, SNAP TIGHT, BK		
3	VS1-7177-004		4	CONNECTOR, SNAP TIGHT, BK		
4	VS1-7177-005		1	CONNECTOR, SNAP TIGHT, BK		
5	VS1-7177-006		4	CONNECTOR, SNAP TIGHT, BK		
6	VS1-7177-008		2	CONNECTOR, SNAP TIGHT, BK		
7	VS1-7177-009		2	CONNECTOR, 9P		
8	VS1-7177-012		1	CONNECTOR, SNAP TIGHT, BK		
9	VS1-7177-014		1	CONNECTOR, SNAP TIGHT, BK		
10	VS1-8412-003		3	CONNECTOR, SNAP TIGHT, BK		
11	VS1-8412-007		1	CONNECTOR, SNAP TIGHT, BL		
12	VS1-8412-009		2	CONNECTOR, SNAP TIGHT, BL		
13	VS1-8412-013		1	CONNECTOR, SNAP TIGHT, BL		
14	VS1-8412-027		1	CONNECTOR, SNAP TIGHT, BL		
15	WE8-6139-000		1	CORE, RING		
16	VS1-7177-013		1	CONNECTOR		
17	FK2-7765-000		1	CABLE, COAXIAL		

# FIGURE B16 DOCUMENT TRAY ASSEMBLY (ONE-PATH ADF)

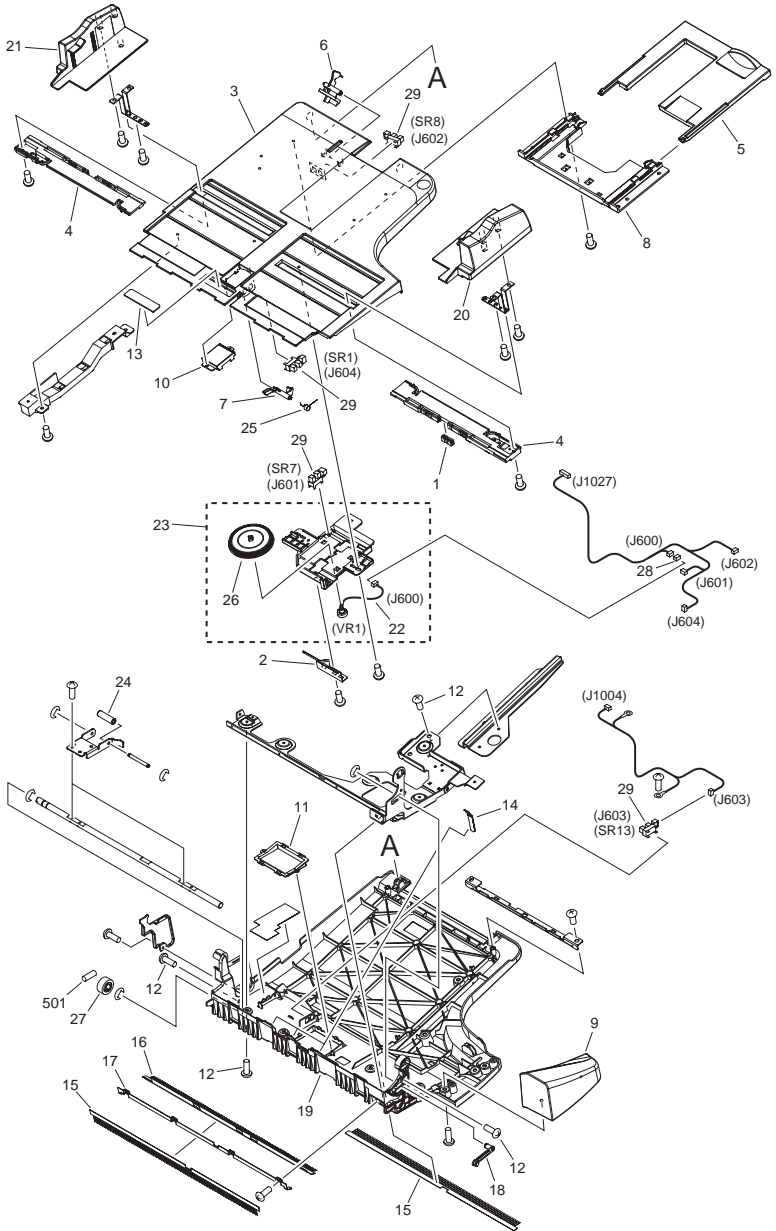




FIGURE & KEY NO.	PARTS NUMBER	R A N K	Q'TY	DESCRIPTION	SERIAL NUMBER/ REMARKS	S V C
Fig.B16	FM3-6210-000		1	DOCUMENT TRAY ASSEMBLY		
1	FC5-3108-000		1	RACK		
2	FC5-3113-000		1	SPRING, LEAF		
3	FC8-5600-000		1	TRAY, DOCUMENT, UPPER		
4	FC8-5604-000		2	RACK, DOCUMENT TRAY		
5	FC8-5605-000		1	TRAY, SLIDE		
6	FC8-5606-000		1	FLAG, TRAY DOCUMENT SENSOR		
7	FC8-5607-000		1	FLAG, DOCUMENT SET SENSOR		
8	FC8-5612-000		1	COVER, DOCUMENT TRAY		
9	FC8-5613-000		1	COVER, DOCUMENT TRAY, FRONT		
10	FC8-5616-000		1	WINDOW, DOCUMENT TRAY, UPPER		
11	FC8-5617-000		1	WINDOW, DOCUMENT TRAY, LOWER		
12	XA9-1031-000		12	SCREW, MACH. TRUSS HEAD, M4X6		
13	FC8-5625-000		1	SHEET, SEPARATION		
14	FC8-5627-000		3	PLATE, SEPARATION		
15	FC8-5841-000		2	ELIMINATOR, STATIC CHARGE		
16	FC8-5842-000		1	ELIMINATOR, STATIC CHARGE		
17	FC8-5846-000		1	PLATE, ELIMINATION		
18	FL2-9614-000		1	PLATE, DOCUMENT TRAY STOPPER		
19	FL2-9622-000		1	TRAY, DOCUMENT, LOWER		
20	FC8-5602-000		1	GUIDE, SIDE, REAR		
21	FC8-5603-000		1	GUIDE, SIDE, FRONT		
22	FM2-1024-000		1	VARIABLE RESISTOR UNIT	VR1	
23	FM3-6211-000		1	HOLDER, VOLUME		
24	FU5-6078-000		2	ROLLER, PLATEN		
25	FU7-2541-000		1	SPRING, TORSION		
26	FU8-0237-000		1	GEAR, 70T		
27	FU8-0238-000		1	GEAR, 20T		
28	VS1-7177-003		1	CONNECTOR, SNAP TIGHT, BK		
29	WG8-5783-000		4	IC,PHOTO-INTERRUPTER,LG248NL1A	SR1,SR7,SR8,SR13	
501	XD3-2200-122		1	PIN, DOWEL		

**FIGURE B17**  
**OPEN/CLOSE PANEL ASSEMBLY (ONE-PATH ADF)**

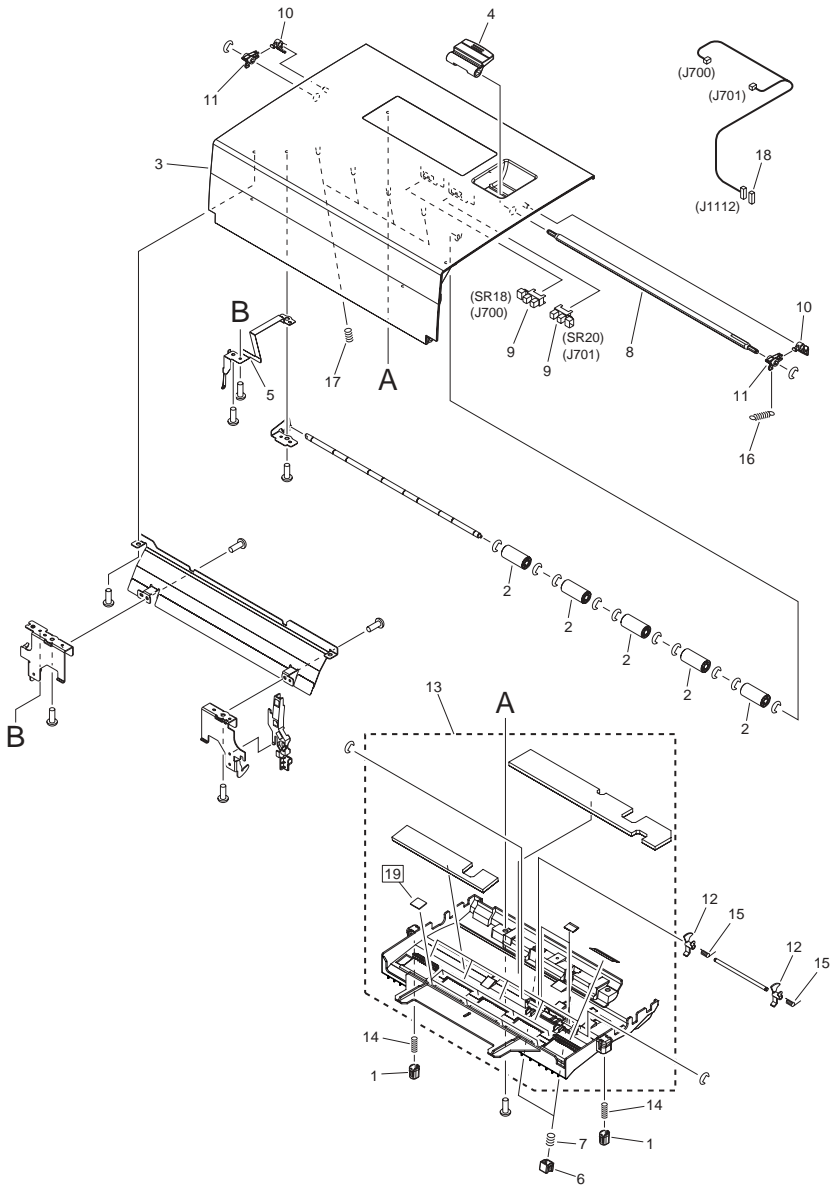


FIGURE & KEY NO.	PARTS NUMBER	R A N K	Q'TY	DESCRIPTION	SERIAL NUMBER/ REMARKS	S V C
Fig.B17	NPN		RF	OPEN/CLOSE PANEL ASSEMBLY		
1	FC5-2963-000		2	RETAINER, OPEN/CLOSE GUIDE		
2	FC7-4188-000		5	ROLLER, REGISTRATION		
3	FL2-9716-000		1	COVER, OPEN/CLOSE		
4	FC8-5888-000		1	LEVER, OPEN/CLOSE		
5	FC8-5706-000		1	SPRING, LEAF		
6	FC8-5713-000		2	RETAINER, ROLLER		
7	FU7-2566-000		2	SPRING, COMPRESSION		
8	FC8-5699-000		1	SHAFT, OPEN/CLOSE COVER LEVER		
9	WG8-5783-000		2	IC,PHOTO-INTERRUPTER,LG248NL1A	SR18,SR20	
10	FC8-5743-000		2	RATCHET, OPEN/CLOSE COVER		
11	FC8-5744-000		2	ARM, OPEN/CLOSE COVER		
12	FC8-5751-000		2	FLAG, WIDTH SENSING, UPPER		
13	FL2-9650-000		1	GUIDE, OPEN/CLOSE COVER		
14	FU7-2568-000		2	SPRING, COMPRESSION		
15	FU7-2567-000		2	SPRING, TORSION		
16	FU6-2900-000		1	SPRING, TENSION		
17	FU7-2555-000		4	SPRING, COMPRESSION		
18	VS1-7177-006		1	CONNECTOR, SNAP TIGHT, BK		
19	FC8-5727-000		8	SHEET, CLEANER DUST	[DP]	

# FIGURE B18 BASE FRAME ASSEMBLY (ONE-PATH ADF)

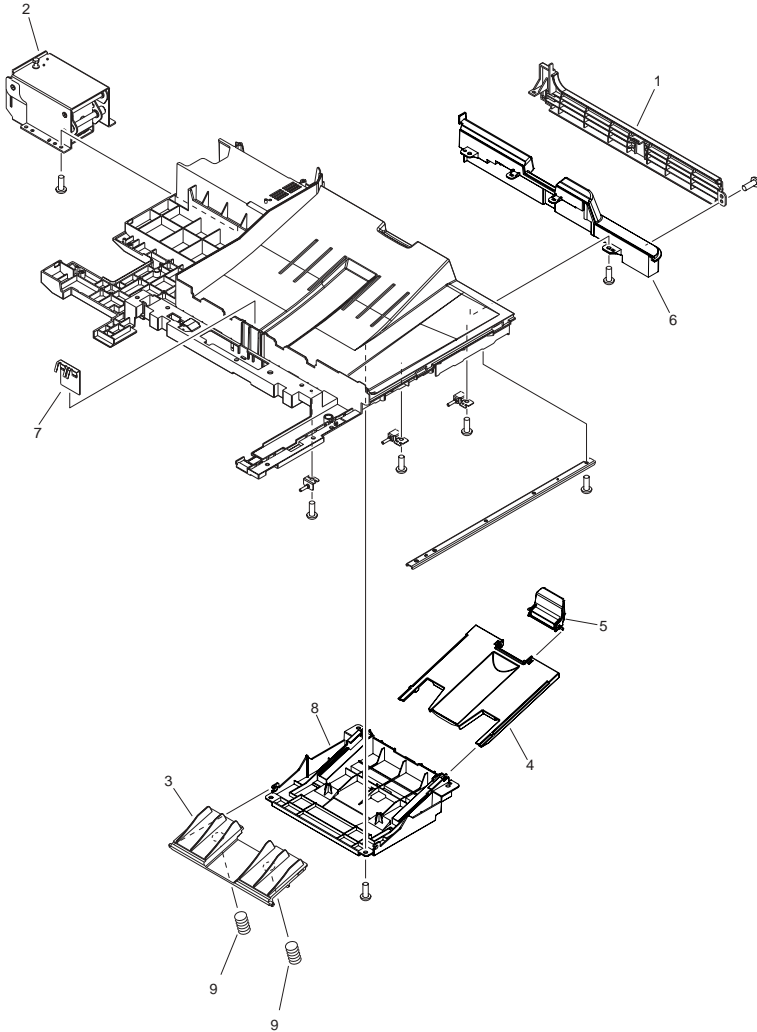


FIGURE & KEY NO.	PARTS NUMBER	RANK	Q'TY	DESCRIPTION	SERIAL NUMBER/REMARKS	SVC
Fig.B18	NPN		RF	BASE FRAME ASSEMBLY		
1	FC8-5885-000		1	COVER, SIDE, RIGHT		
2	FC8-5778-000		1	HINGE, RIGHT		
3	FC8-5797-000		1	STOPPER, PAPER DELIVERY		
4	FC8-5880-000		1	TRAY, PAPER DELIVERY AUX., D		
5	FC8-5881-000		1	TRAY, PAPER DELIVERY AUX., S		
6	FC8-5883-000		1	COVER, BASE FRAME, D		
7	FC8-5898-000		1	PLATE, DELIVERY GROUND		
8	FL2-9710-000		1	COVER, BASE FRAME		
9	FU7-2545-000		2	SPRING, COMPRESSION		

# FIGURE B19 WHITE PLATE ASSEMBLY (ONE-PATH ADF)

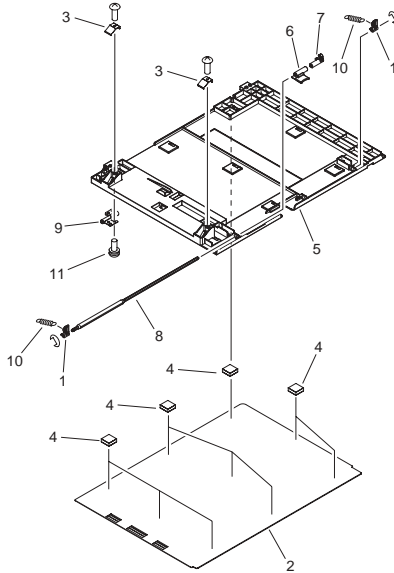


FIGURE & KEY NO.	PARTS NUMBER	RANK	QTY	DESCRIPTION	SERIAL NUMBER/REMARKS	SVC
Fig.B19	FM3-6219-000		1	WHITE PLATE ASSEMBLY		
1	FC5-2957-000		2	LEVER, LATCH		
2	FC5-4265-000		1	PANEL, COPYBOARD		
3	FC7-3156-000		2	SPRING, LEAF		
4	FC8-5895-000		9	SPONGE, SHEET, WHITE		
5	FC8-5802-000		1	SUPPORT, SHEET, WHITE		
6	FC8-5804-000		1	RATCHET, SHEET, WHITE A		
7	FC8-5805-000		1	RATCHET, SHEET, WHITE B		
8	FC8-5810-000		1	SHAFT, RATCHET ROTATION		
9	FC8-5811-000		1	HINGE, PLATE		
10	FU5-2235-020		2	SPRING, TENSION		
11	XA9-0640-000		2	SCREW, WWASHER, M3X12		

# FIGURE B20 ESTRANGEMENT DRIVE ASSEMBLY (ONE-PATH ADF)

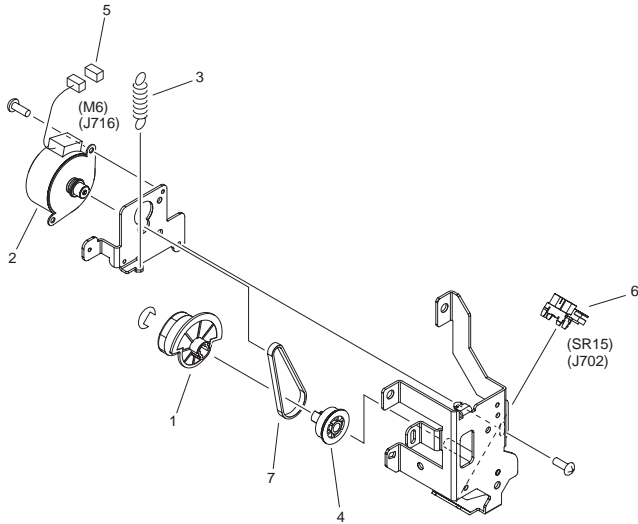


FIGURE & KEY NO.	PARTS NUMBER	R A N K	QTY	DESCRIPTION	SERIAL NUMBER/ REMARKS	S V C
Fig.B20	NPN		RF	ESTRANGEMENT DRIVE ASSEMBLY		
1	FC8-5770-000		1	CAM, RELEASE, A	M6	
2	FK2-7646-000		1	MOTOR, STEPPING, DC		
3	FU7-2564-000		1	SPRING, TENSION		
4	FU8-0239-000		1	PULLEY, 33T		
5	VS1-7177-004		1	CONNECTOR, SNAP TIGHT, BK		
6	WG8-5783-000		1	IC,PHOTO-INTERRUPTER,LG248NL1A	SR15	
7	XF2-1107-240		1	BELT, TIMING		

# FIGURE B30 PAPER PICK-UP ASSEMBLY (ONE-PATH ADF)

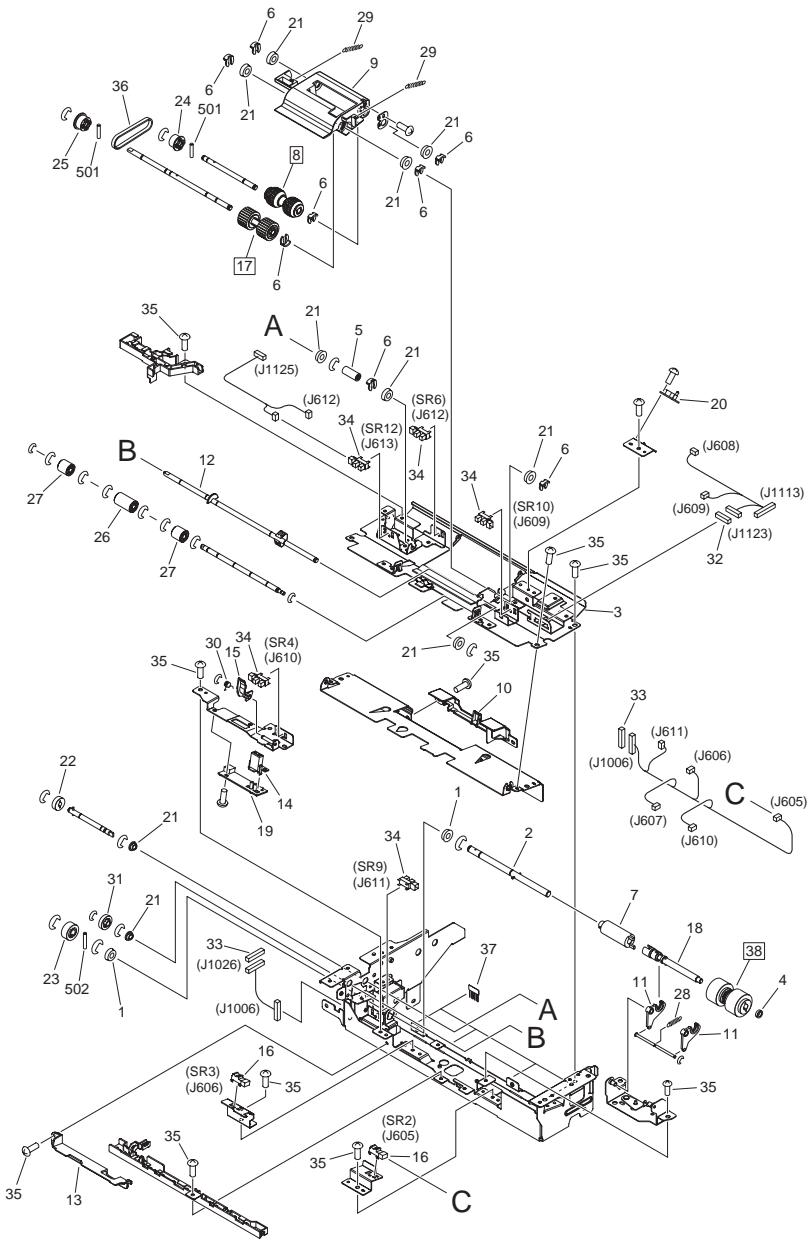




FIGURE & KEY NO.	PARTS NUMBER	R A N K	Q'TY	DESCRIPTION	SERIAL NUMBER/ REMARKS	S V C
Fig.B30	NPN		RF	PAPER PICK-UP ASSEMBLY		
1	FA9-2112-000		2	BUSHING, PL		
2	FL2-9615-000		1	SHAFT, TRANSMISSION		
3	FL2-9616-000		1	GUIDE, PAPER PICK-UP, UPPER		
4	XG9-0497-000		1	BEARING, BALL, MR106ZZ		
5	FC5-3163-000		1	JOINT		
6	FC5-4425-000		8	CLIP		
7	FC7-2494-000		1	LIMITER, TORQUE		
8	FC8-5577-000		1	ROLLER, PAPER PICK-UP		
9	FC8-5583-000		1	ARM, PAPER PICK-UP ROLLER		
10	FC8-5586-000		1	GUIDE, PAPER PICK-UP LW., FEED		
11	FC8-5594-000		2	ROLLER, LEVER		
12	FC8-5646-000		1	SHAFT,ROLLER ARM DRIVE		
13	FC8-5652-000		1	COVER, SEPARATION SENSOR		
14	FC8-5673-000		1	COVER, SENSOR		
15	FC8-5760-000		1	FLAG, DELAY SENSOR		
16	FK2-6470-000		2	PHOTO-SENSOR, KUA0055C	SR2,SR3	
17	FL2-9608-000		1	ROLLER, PAPER FEED		
18	FL2-9623-000		1	SHAFT, ROLLER C DRIVE		
19	FM2-1022-000		1	SENSOR PCB UNIT		
20	FM2-1023-000		1	LED PCB UNIT		
21	FS1-1569-000		10	BUSHING		
22	FU3-0277-000		1	GEAR, 16T		
23	FU3-0313-000		1	GEAR, 20T		
24	FU5-3695-000		1	PULLEY, 22T		
25	FU5-3696-000		1	PULLEY, 25T		
26	FU5-6871-000		1	ROLLER		
27	FU5-6872-000		2	ROLLER		
28	FU7-2542-000		1	SPRING, TENSION		
29	FU7-2544-000		2	SPRING, TENSION		
30	FU7-2563-000		1	SPRING, TORSION		
31	FU8-0236-000		1	GEAR, 22T		

FIGURE & KEY NO.	PARTS NUMBER	RANK	Q'TY	DESCRIPTION	SERIAL NUMBER/REMARKS	SVC
32	VS1-7177-009		1	CONNECTOR, 9P	SR4,SR6,SR9,SR10,SR12  [DP]	
33	VS1-8412-017		2	CONNECTOR, SNAP TIGHT, BL		
34	WG8-5783-000		5	IC,PHOTO-INTERRUPTER,LG248NL1A		
35	XA9-1031-000		19	SCREW, MACH. TRUSS HEAD, M4X6		
36	XF2-1106-640		1	BELT, TIMING		
37	FC8-5899-000		4	ELIMINATOR, STATIC CHARGE		
38	FB2-7777-020		1	ROLLER, SEPARATION		
501	XD3-2200-102		2	PIN, DOWEL		
502	XD3-2200-122		1	PIN, DOWEL		

# FIGURE B31 PAPER DELIVERY ASSEMBLY (ONE-PATH ADF)

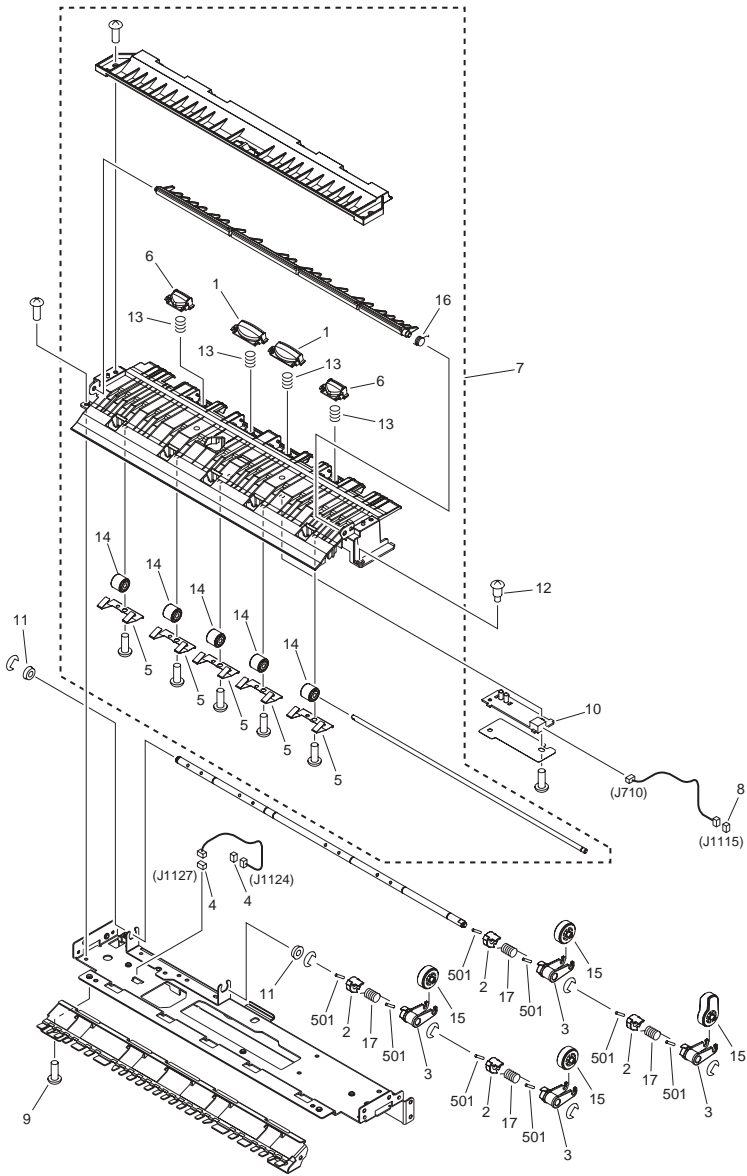


FIGURE & KEY NO.	PARTS NUMBER	R A N K	Q'TY	DESCRIPTION	SERIAL NUMBER/ REMARKS	S V C
Fig.B31	FM3-6180-000		1	DELIVERY CROSSMEMBER ASSEMBLY		
1	FC5-2978-000		2	GUIDE, REFORM		
2	FC5-2988-000		4	RETAINER, ROLLER		
3	FC5-2989-000		4	HOLDER, PAPER DELIVERY ROLLER		
4	VS1-7177-002		2	CONNECTOR, SNAP TIGHT, BK		
5	FC8-5830-000		5	SPRING, LEAF		
6	FC8-5845-000		2	RIB, DELIVERY SHAPE		
7	FM3-6182-000		1	PAPER DELIVERY LW. GUIDE ASS'Y		
8	VS1-7177-004		1	CONNECTOR, SNAP TIGHT, BK		
9	XA9-1031-000		2	SCREW, MACH. TRUSS HEAD, M4X6		
10	FM2-1022-000		1	SENSOR PCB UNIT		
11	FS1-1569-000		2	BUSHING		
12	FS1-9009-020		1	SCREW, STEPPED, M3		
13	FU5-2240-000		4	SPRING, COMPRESSION		
14	FU5-6073-000		5	ROLLER, FEED		
15	FU5-6077-000		4	ROLLER, PAPER DELIVERY		
16	FU6-2740-000		1	SPRING, TORSION		
17	FU7-2562-000		4	SPRING, TORSION		
501	XD3-2200-122		8	PIN, DOWEL		

# FIGURE B32 OPEN/CLOSE GUIDE ASSEMBLY (ONE-PATH ADF)

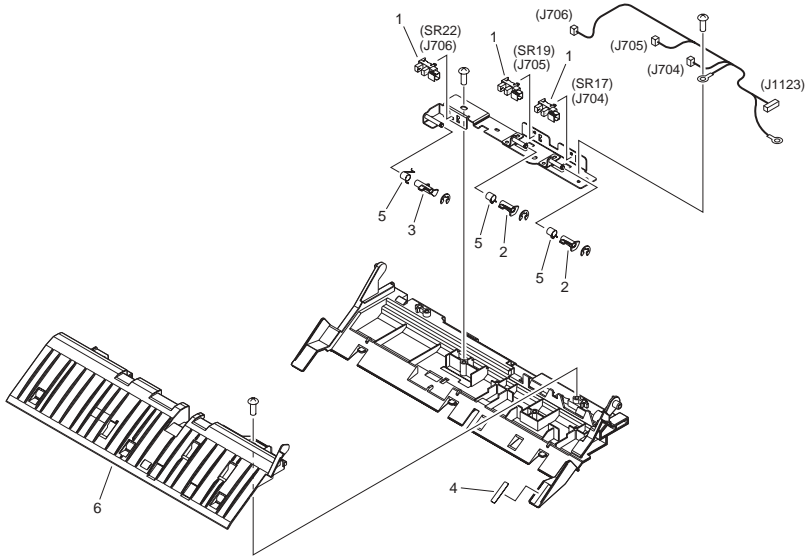


FIGURE & KEY NO.	PARTS NUMBER	RANK	QTY	DESCRIPTION	SERIAL NUMBER/REMARKS	SVC
Fig.B32	NPN		RF	OPEN/CLOSE GUIDE ASSEMBLY		
1	WG8-5783-000		3	IC,PHOTO-INTERRUPTER,LG248NL1A	SR17,SR19,SR22	
2	FC8-5761-000		2	FLAG, WIDTH SENSOR, LOWER		
3	FC8-5762-000		1	FLAG, EDGE SENSING		
4	FC7-4890-000		1	LABEL, OPEN/CLOSE GUIDE		
5	FU7-2556-000		3	SPRING, TORSION		
6	FL2-9627-000		1	GUIDE, OPEN/CLOSE, UPPER		

# FIGURE B40 PLATEN ROLLER ASSEMBLY, 1 (ONE-PATH ADF)

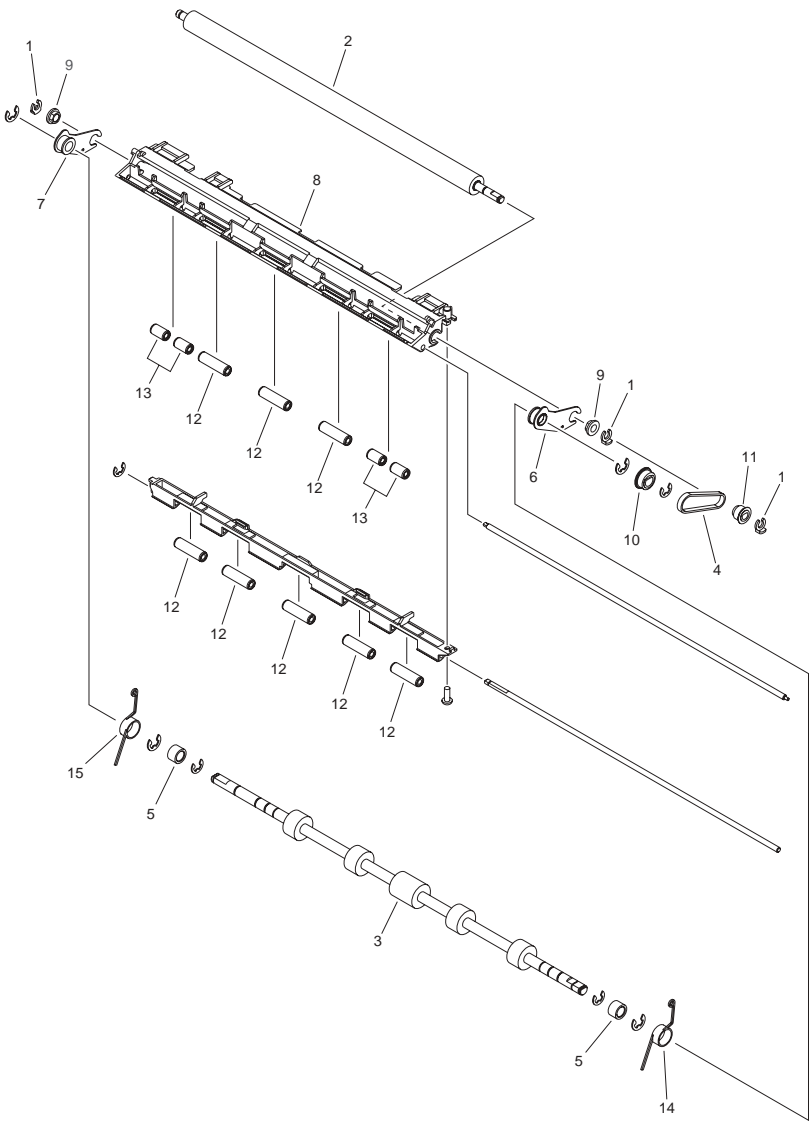


FIGURE & KEY NO.	PARTS NUMBER	R A N K	Q'TY	DESCRIPTION	SERIAL NUMBER/ REMARKS	S V C
Fig.B40	FM3-6176-000		1	PLATEN ROLLER ASSEMBLY, 1		
1	FC5-4424-000		3	CLIP		
2	FC8-5487-000		1	ROLLER, PLATEN, 1		
3	FC8-5681-000		1	ROLLER, READ, 1		
4	XF2-1105-740		1	BELT, TIMING		
5	FC8-5775-000		2	ROLLER, SUPPORT		
6	FL2-9568-000		1	SUPPORT, PLATEN ROLLER, FRONT		
7	FL2-9569-000		1	SUPPORT, PLATEN ROLLER, REAR		
8	FL2-9571-000		1	GUIDE, PLATEN, 1		
9	FS1-1569-000		2	BUSHING		
10	FU5-0339-000		1	PULLEY, 23T		
11	FU5-0341-000		1	PULLEY, 18T		
12	FU5-6078-000		8	ROLLER, PLATEN		
13	FU5-6080-000		4	ROLLER		
14	FU7-2546-000		1	SPRING, TORSION		
15	FU7-2547-000		1	SPRING, TORSION		

# FIGURE B41 PLATEN ROLLER ASSEMBLY, 2 (ONE-PATH ADF)

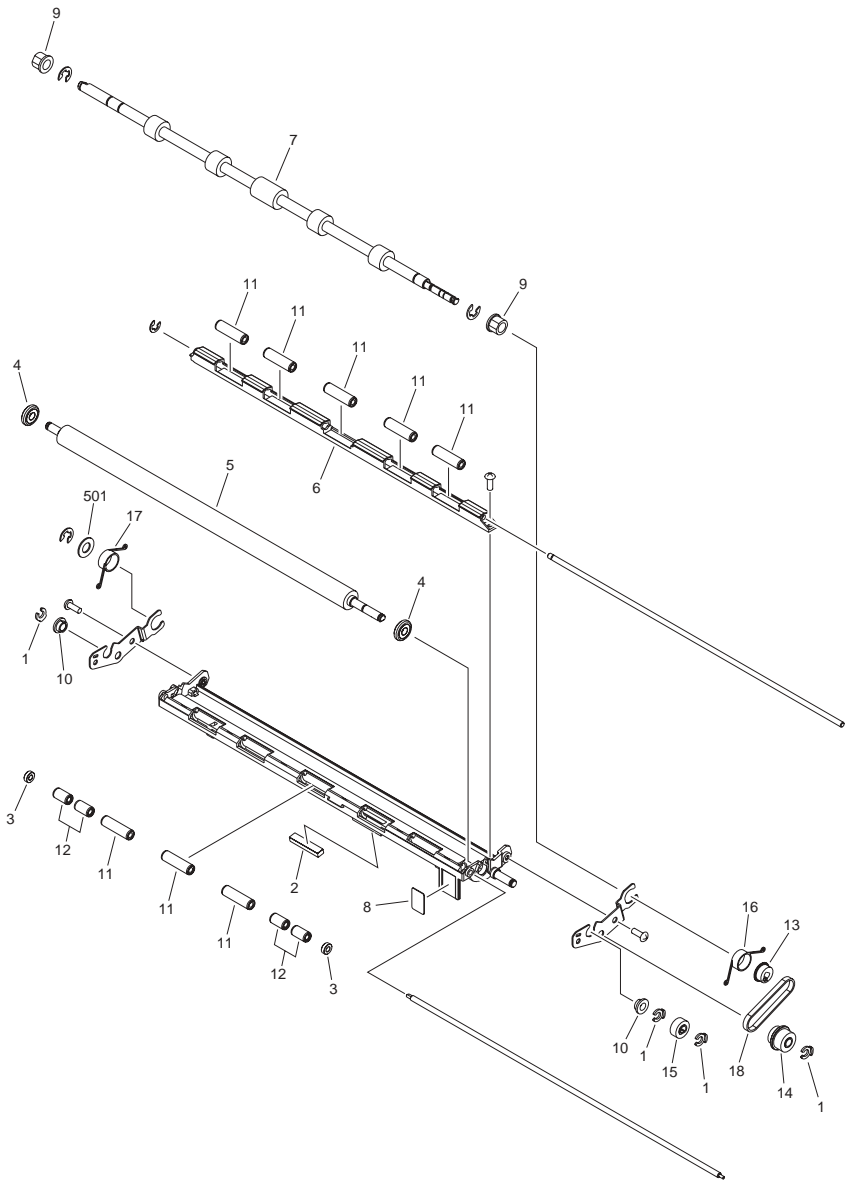




FIGURE & KEY NO.	PARTS NUMBER	R A N K	Q'TY	DESCRIPTION	SERIAL NUMBER/ REMARKS	S V C
Fig.B41	FM3-6179-000		1	PLATEN ROLLER ASSEMBLY, 2		
1	FC5-4424-000		4	CLIP		
2	FC7-4191-000		1	MAGNET		
3	FC8-5485-000		2	ROLLER		
4	FC8-5486-000		2	ROLLER		
5	FC8-5488-000		1	ROLLER, PLATEN, 2		
6	FC8-5490-000		1	GUIDE, PLATEN ROLLER, 2B		
7	FC8-5683-000		1	SHAFT, READ 3 ROLLER		
8	FC8-5545-000		1	LABEL, PLATEN KNOB		
9	FU6-1021-000		2	BUSHING		
10	FS1-1569-000		2	BUSHING		
11	FU5-6078-000		8	ROLLER, PLATEN		
12	FU5-6080-000		4	ROLLER		
13	FU7-0205-000		1	PULLEY, 21T		
14	FU7-0473-000		1	GEAR, 18T/PULLEY, 23T		
15	FU7-0514-000		1	GEAR, 16T		
16	FU7-2548-000		1	SPRING, TORSION		
17	FU7-2549-000		1	SPRING, TORSION		
18	XF2-1106-140		1	BELT, TIMING		
501	XD1-1108-239		1	SHIM		

# FIGURE B42 PAPER FEED GUIDE ASSEMBLY, 1 (ONE-PATH ADF)

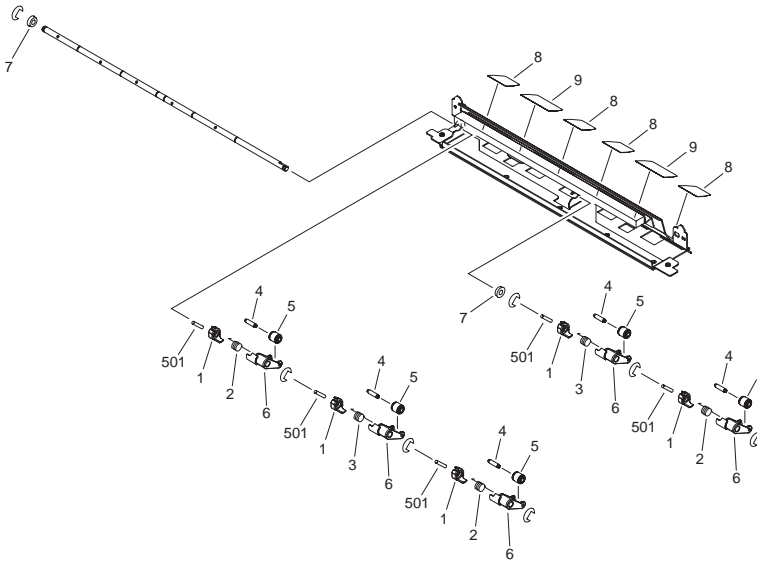


FIGURE & KEY NO.	PARTS NUMBER	RANK	QTY	DESCRIPTION	SERIAL NUMBER/REMARKS	SVC
Fig.B42	NPN		RF	PAPER FEED GUIDE ASSEMBLY, 1		
1	FC5-2988-000		5	RETAINER, ROLLER		
2	FC5-3021-000		3	SPRING, TORSION		
3	FC5-3026-000		2	SPRING, TORSION		
4	FC8-5520-000		5	SHAFT, READ 1 ROLLER		
5	FC8-5654-000		5	ROLLER, IDLER READ		
6	FL2-0741-000		5	HOLDER, PAPER FEEDER ROLLER		
7	FS1-1569-000		2	BUSHING		
8	FC8-5730-000		4	LABEL, FINGER NIP CAUTION		
9	FC8-5729-000		2	LABEL, FINGER NIP CAUTION		
501	XD3-2200-122		5	PIN, DOWEL		

FIGURE B43  
PAPER FEED GUIDE ASSEMBLY, 2 (ONE-PATH ADF)

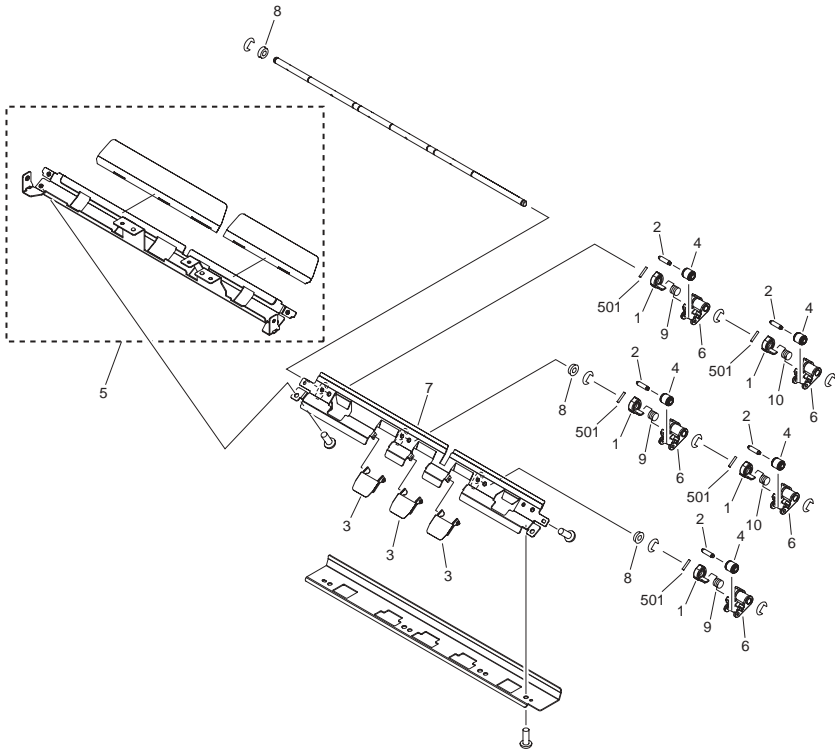


FIGURE & KEY NO.	PARTS NUMBER	R A N K	Q'TY	DESCRIPTION	SERIAL NUMBER/ REMARKS	S V C
Fig.B43	FM3-6177-000		1	READ 2 PAPER FEED GUIDE ASS'Y		
1	FC8-5505-000		5	STOPPER, ROLLER		
2	FC8-5520-000		5	SHAFT, READ 1 ROLLER		
3	FL2-9667-000		3	GUIDE, READ 2 FEED SWING, LW.		
4	FC8-5654-000		5	ROLLER, IDLER READ		
5	FL2-9574-000		1	GUIDE, READ 2 FEED, UPPER		
6	FL2-9575-000		5	HOLDER, READ 2 ROLLER		
7	FL2-9586-000		1	GUIDE, READ 2 FEED, LOWER		
8	FS1-1569-000		3	BUSHING		
9	FU7-2557-000		3	SPRING, TORSION		
10	FU7-2558-000		2	SPRING, TORSION		
501	XD3-2200-122		5	PIN, DOWEL		

# FIGURE B90 DADF DRIVER PCB ASSEMBLY (ONE-PATH ADF)

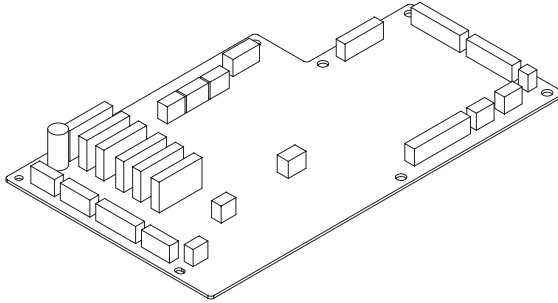


FIGURE & KEY NO.	PARTS NUMBER	RANK	QTY	DESCRIPTION	SERIAL NUMBER/REMARKS	SVC
Fig.B90	FM3-7561-000		1	DADF DRIVER PCB ASSEMBLY		
IC	FK2-1773-000		1	IC,TC200GO2EFG-1031,GATE ARRAY		

# FIGURE D01 ATTACHMENT PARTS (READER)

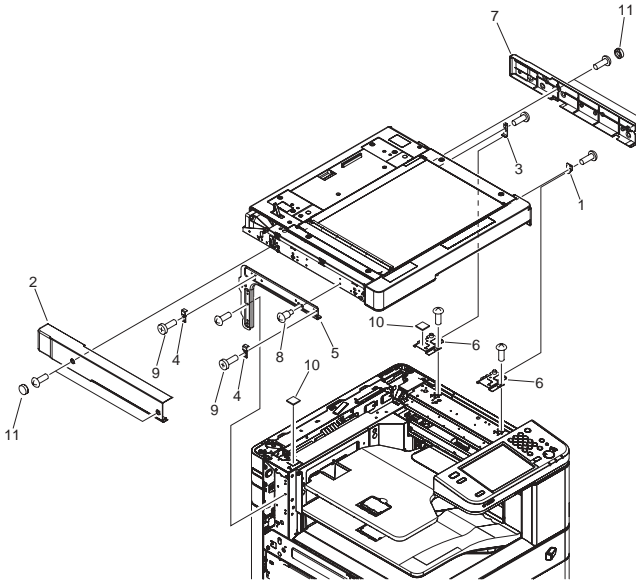


FIGURE & KEY NO.	PARTS NUMBER	RANK	QTY	DESCRIPTION	SERIAL NUMBER/REMARKS	SVC
Fig.D01	NPN		RF	ATTACHMENT PARTS (READER)		
1	FC8-6090-000		1	HOOK, FIXED, C		
2	FC8-6077-000		1	COVER, LEFT, B	REVERSE ADF MODEL	
2	FC8-6098-000		1	COVER, LEFT, C	ONE-PATH ADF MODEL	
3	FL2-9802-000		1	HOOK, READER FIXED, A		
4	FL2-9803-000		2	HOOK, READER FIXED, B		
5	FL2-9804-000		1	JOINT, READER, LEFT		
6	FL2-9807-000		2	JOINT, READER, RIGHT		
7	FL2-9817-000		1	COVER, RIGHT, B	REVERSE ADF MODEL	
7	FL2-9818-000		1	COVER, RIGHT, C	ONE-PATH ADF MODEL	
8	FS1-9003-020		1	SCREW, STEPPED		
9	XA9-0271-000		2	SCREW, M4X6		
10	FC8-6091-000		2	DAMPER UNIT, READER, A		
11	FC9-0311-000		4	CAP, RUBBER		

FIGURE D10  
EXTERNAL COVERS, PANELS, ETC. (READER)

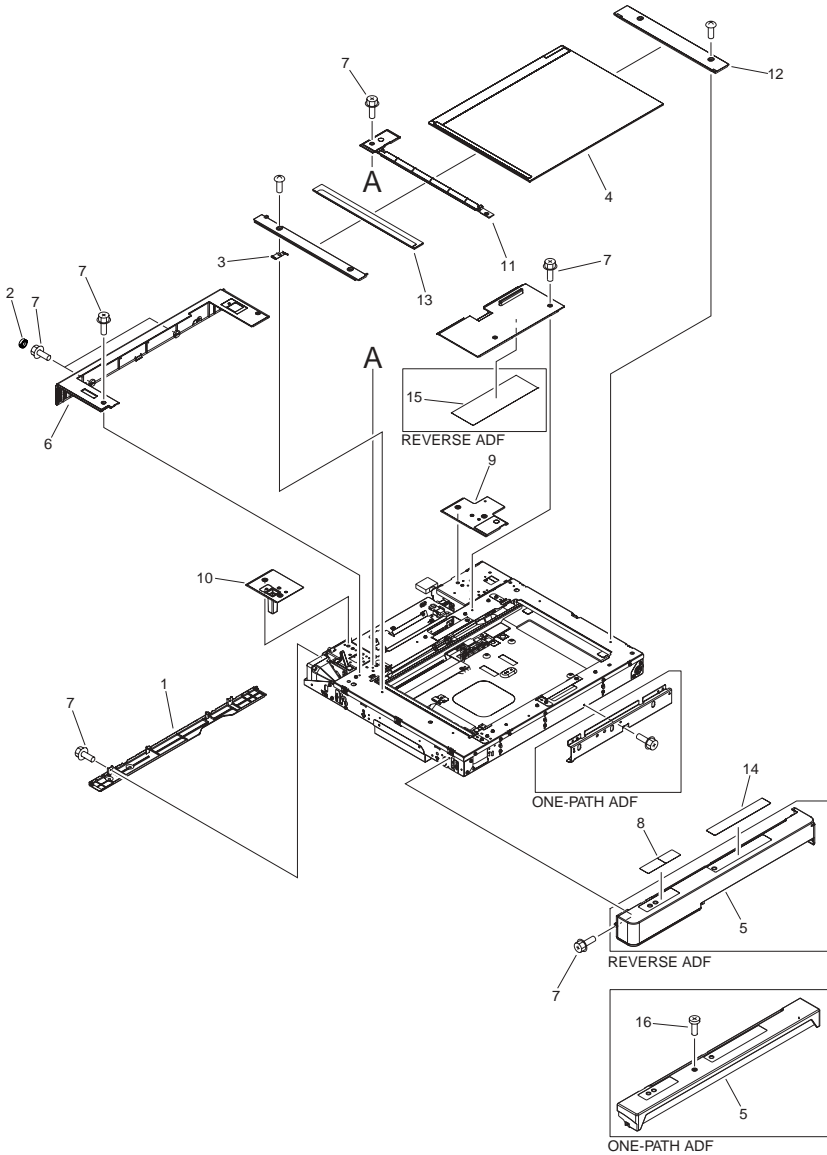


FIGURE & KEY NO.	PARTS NUMBER	R A N K	Q'TY	DESCRIPTION	SERIAL NUMBER/REMARKS	S V C
Fig.D10	NPN		RF	EXTERNAL COVERS, PANELS, ETC.		
1	FC8-6085-000		1	COVER, REAR, LOWER	REVERSE ADF MODEL	
1	FC8-6099-000		1	COVER, REAR LOWER, C	ONE-PATH ADF MODEL	
2	FC9-0311-000		2	CAP, RUBBER		
3	FC7-1333-000		1	SPRING, GROUNDING		
4	FM3-5493-000		1	GLASS, COPYBOARD		
5	FC8-6074-000		1	COVER, FRONT, B	REVERSE ADF MODEL	
5	FC8-6095-000		1	COVER, FRONT, C	ONE-PATH ADF MODEL	
6	FL2-9826-000		1	COVER, REAR, B	REVERSE ADF MODEL	
6	FL2-9827-000		1	COVER, REAR	ONE-PATH ADF MODEL	
7	XA9-1386-000		28	SCREW,RS,M3X8		
8	FU7-8084-000		1	LABEL, COPY PROHIBITION, JAPAN		
9	FC8-6114-000		1	COVER, MOUNT, DF, R		
10	FC8-6115-000		1	COVER, MOUNT, DF, L		
11	FC8-6082-000		1	MOUNT, JUMP, B	REVERSE ADF MODEL	
11	FC8-6120-000		1	MOUNT, JUMP, C		
12	FL2-9815-000		1	COVER, RIGHT UPPER, B		
13	FL2-9620-000		1	GLASS, READER	ONE-PATH ADF MODEL	
13	FL2-9819-000		1	GLASS	REVERSE ADF MODEL	
14	FU7-8079-000		1	LABEL, CLEANING POSITION		
15	FL2-9820-000		1	LABEL, SERVICE	REVERSE ADF MODEL	
16	XA9-0271-000		1	SCREW, M4X6	ONE-PATH ADF MODEL	



# FIGURE D11 INTERNAL COMPONENTS 1 (iR ADVANCE 5051,5045 SERIES)(READER)

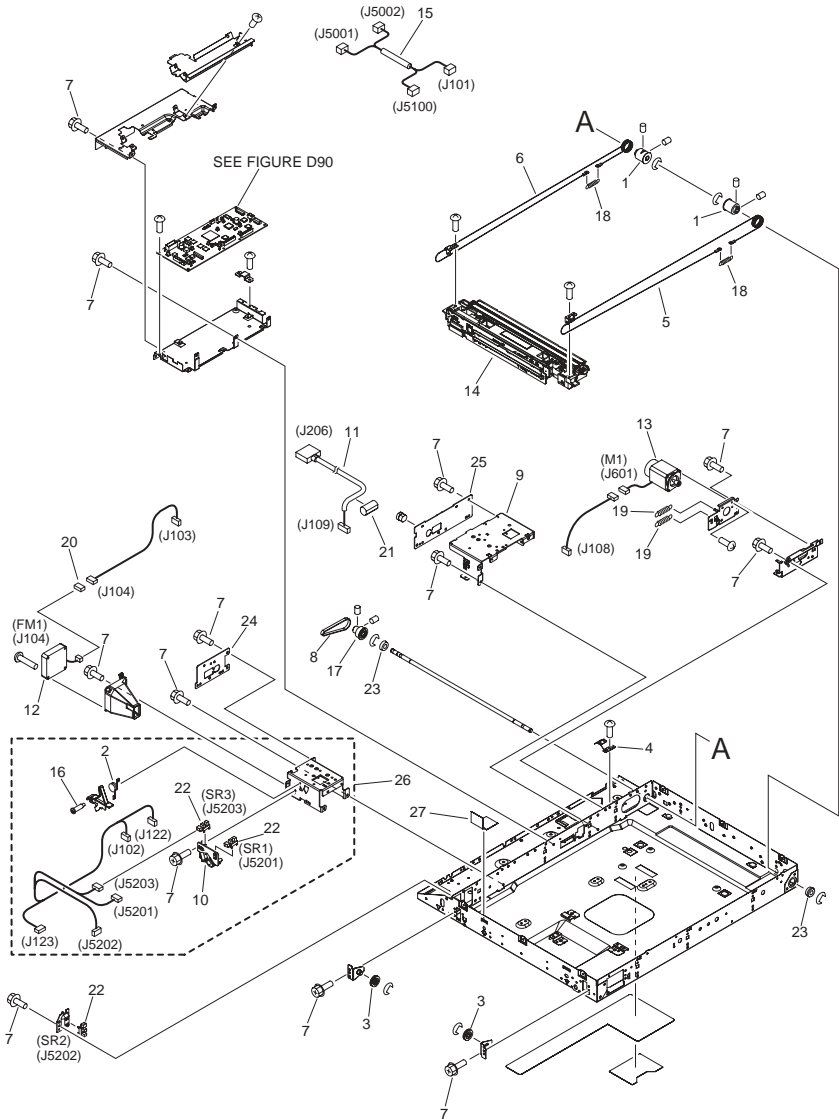


FIGURE & KEY NO.	PARTS NUMBER	R A N K	Q'TY	DESCRIPTION	SERIAL NUMBER/ REMARKS	S V C
Fig.D11	NPN		RF	READER MAIN BODY 1	IR ADVANCE C5051,5054 SERIES	
1	FB5-3087-000		2	PULLEY		
2	FU7-2593-000		1	SPRING, TORSION		
3	FC7-1312-000		2	PULLEY		
4	FC8-6030-000		1	SPRING, LEAF		
5	FC8-6034-000		1	WIRE, FRONT		
6	FC8-6035-000		1	WIRE, REAR		
7	XA9-1386-000		44	SCREW,RS,M3X8		
8	XF9-0774-000		1	BELT, TIMING		
9	FC8-6014-000		1	MOUNT, DF, R		
10	FC8-6062-000		1	HOLDER, OPEN/CLOSE SENSOR		
11	FK2-8515-000		1	CABLE, S, DDI		
12	FK2-0472-010		1	FAN	FM1	
13	FK2-8503-000		1	MOTOR, STEPPING, DC	M1	
14	FM3-5489-000		1	SCANNER UNIT		
15	FM3-8277-000		1	CABLE, READER P.S. LATTICE		
16	FS5-9227-020		1	SCREW,STEPPED,M4		
17	FU5-3705-000		1	PULLEY, 52T		
18	FU7-2591-000		2	SPRING, TENSION		
19	FU7-2592-000		2	SPRING, TENSION		
20	VS1-7177-003		1	CONNECTOR, SNAP TIGHT, BK		
21	WE8-5601-000		1	FERRITE CORE		
22	WG8-5783-000		3	IC,PHOTO-INTERRUPTER,LG248NL1A	SR1,SR2,SR3	
23	XG9-0508-000		2	BEARING, BALL, F688ZZ		
24	FC8-6015-000		1	PLATE,DF MOUNT REINFORCEMENT,L		
25	FC8-6016-000		1	PLATE,DF MOUNT REINFORCEMENT,R		
26	FM4-3246-000		1	DF MOUNT ASSEMBLY, L		
27	FC8-3555-000		1	SHEET, FLEXIBLE FLAT CABLE		



FIGURE & KEY NO.	PARTS NUMBER	R A N K	Q'TY	DESCRIPTION	SERIAL NUMBER/ REMARKS	S V C
Fig.D11A	NPN		RF	INTERNAL COMPONENTS 1	IR ADVANCE C5035,5030 SERIES	
1	FB5-3087-000		2	PULLEY		
2	FU7-2593-000		1	SPRING, TORSION		
3	FC7-1312-000		2	PULLEY		
4	FC8-6030-000		1	SPRING, LEAF		
5	FC8-6034-000		1	WIRE, FRONT		
6	FC8-6035-000		1	WIRE, REAR		
7	XA9-1386-000		44	SCREW,RS,M3X8		
8	XF9-0774-000		1	BELT, TIMING		
9	FC8-6014-000		1	MOUNT, DF, R		
10	FC8-6062-000		1	HOLDER, OPEN/CLOSE SENSOR		
11	FK2-8515-000		1	CABLE, S, DDI		
12	FK2-0472-010		1	FAN	FM10	
13	FK2-8503-000		1	MOTOR, STEPPING, DC	M1	
14	FM3-5489-000		1	SCANNER UNIT		
15	FM3-8276-000		1	CABLE, READER P.S. LATTICE		
16	FS5-9227-020		1	SCREW,STEPPED,M4		
17	FU5-3705-000		1	PULLEY, 52T		
18	FU7-2591-000		2	SPRING, TENSION		
19	FU7-2592-000		2	SPRING, TENSION		
20	VS1-7177-003		1	CONNECTOR, SNAP TIGHT, BK		
21	WE8-5601-000		1	FERRITE CORE		
22	WG8-5783-000		3	IC,PHOTO-INTERRUPTER,LG248NL1A	SR10,SR20,SR30	
23	XG9-0508-000		2	BEARING, BALL, F688ZZ		
24	FC8-6015-000		1	PLATE,DF MOUNT REINFORCEMENT,L		
25	FC8-6016-000		1	PLATE,DF MOUNT REINFORCEMENT,R		
26	FM4-3263-000		1	DF MOUNT ASSEMBLY, L		
27	FC8-3555-000		1	SHEET, FLEXIBLE FLAT CABLE		

# FIGURE D12 INTERNAL COMPONENTS 2 (READER)

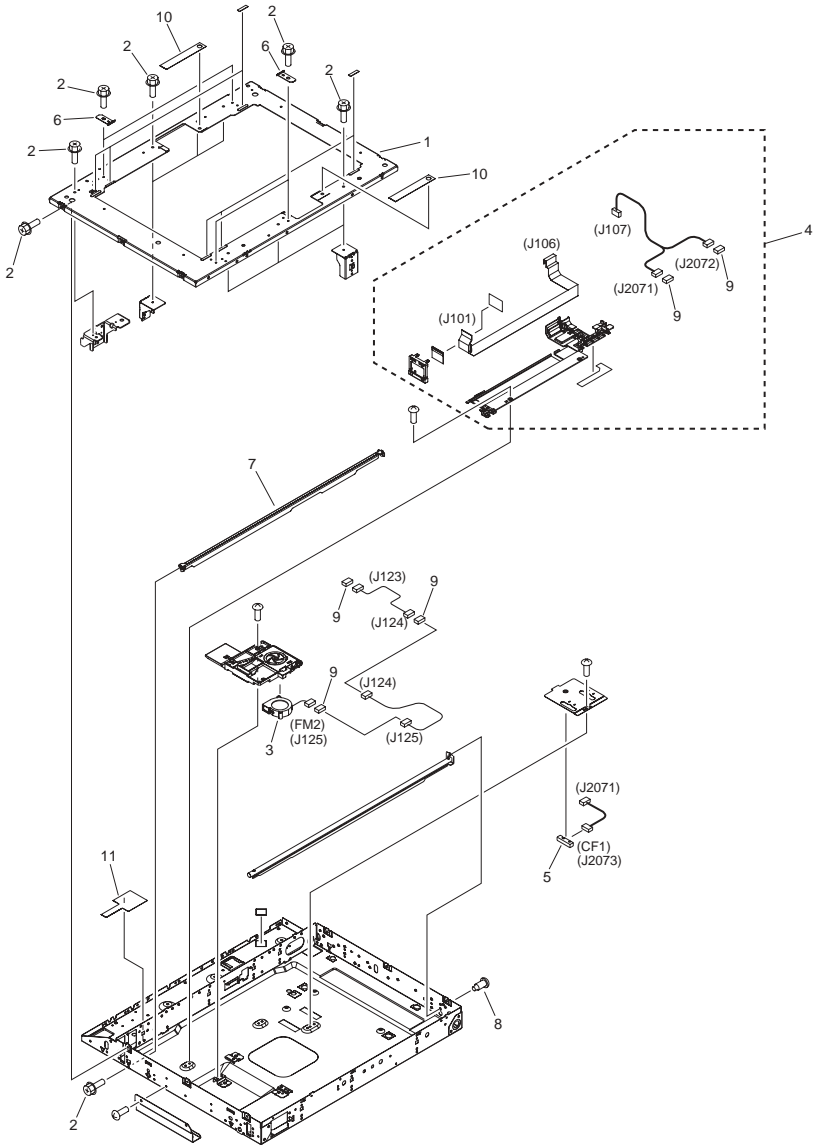


FIGURE & KEY NO.	PARTS NUMBER	RANK	Q'TY	DESCRIPTION	SERIAL NUMBER/REMARKS	SVC
Fig.D12	NPN		RF	INTERNAL COMPONENTS 2 (READER)		
1	FL2-9793-000		1	FRAME, UPPER		
2	XA9-1386-000		40	SCREW,RS,M3X8		
3	FL2-9823-000		1	FAN	FM2	
4	FM3-6295-000		1	FLEXIBLE FLAT CABLE GUIDE UNIT		
5	FK2-7162-000		1	IC,PHOTO SENSOR, DOCUMENT SIZE	CF1	
6	FL2-4856-000		4	PLATE,GLASS SUPPORT		
7	FL2-9788-000		1	RAIL, OPTICAL		
8	FS1-9120-020		1	SCREW,STEPPE		
9	VS1-7177-003		5	CONNECTOR, SNAP TIGHT, BK		
10	FC8-6056-000		2	SHEET, GLASS GAP		
11	FC8-6100-000		1	GUIDE, CABLE		

**FIGURE D90**  
**READER CONTROLLER PCB ASS'Y(iR ADVANCE**  
**5051,5045 SERIES)(READER)**

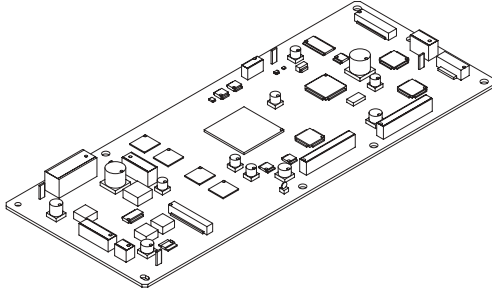


FIGURE & KEY NO.	PARTS NUMBER	RANK	Q'TY	DESCRIPTION	SERIAL NUMBER/REMARKS	SVC
Fig.D90	FM4-3014-000		1	READER CONTROLLER PCB ASSEMBLY	iR ADVANCE C5051,5054 SERIES	
IC	FK2-6611-000		1	IC, MB8AA1450RBB-GE1, STANDARD		
IC	FK2-7170-000		1	IC, R5F61638N50FPV-FK27170,		
IC	FK2-8513-000		1	IC, MPU, ICS452M-18LF		

**FIGURE D91**  
**READER CONTROLLER PCB ASS'Y(iR ADVANCE**  
**5035,5030 SERIES)(READER)**

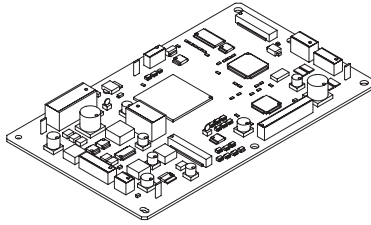
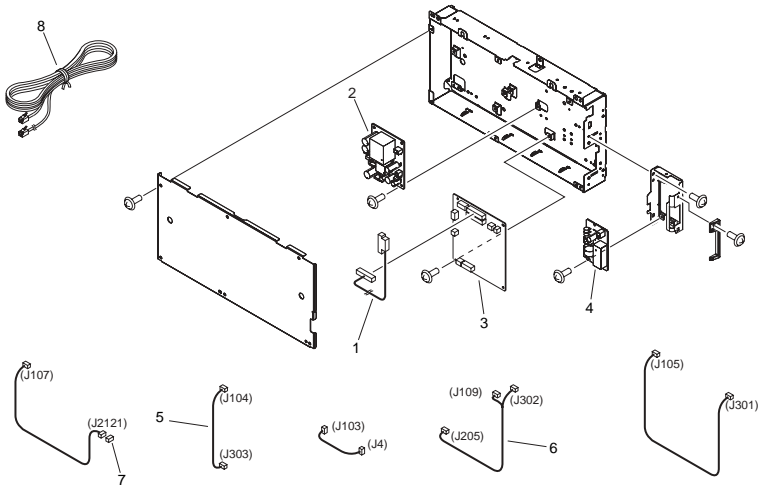


FIGURE & KEY NO.	PARTS NUMBER	R A N K	QTY	DESCRIPTION	SERIAL NUMBER/ REMARKS	S V C
Fig.D91	FM3-7613-000		1	READER CONTROLLER PCB ASSEMBLY	iR ADVANCE C5035,5030 SERIES	
IC	FK2-6611-000		1	IC, MB8AA1450RBB-GE1, STANDARD		
IC	FK2-7170-000		1	IC, R5F61638N50FPV-FK27170,		
IC	FK2-8513-000		1	IC, MPU, ICS452M-18LF		



# FIGURE T20 G3 FAX ASSEMBLY, 1 LINE (FAX)



NOTE : This assembly does not include the part shown with key No. 8.  
注: このユニットにKey No. 8の部品は含まれません。

FIGURE & KEY NO.	PARTS NUMBER	R A N K	Q'TY	DESCRIPTION	SERIAL NUMBER/REMARKS	S V C
Fig.T20	FM3-8941-000		1	G3 FAX ASSEMBLY, 1 LINE (FAX)	FAX MODEL	
1	FK2-8424-000		1	CABLE, MDR-FX15		
2	FM3-5580-000		1	PSEUDO CI2 PCB ASSEMBLY		
3	FM4-0785-000		1	1 LINE PCB ASS'Y		
4	FM4-0788-000		1	MODULAR PCB ASSEMBLY		
5	FM4-0819-000		1	CABLE, CI POWER SUPPLY		
6	FM4-0821-000		1	CABLE, FAX POWER SUPPLY		
7	VS1-7177-002		1	CONNECTOR, SNAP TIGHT, BK		
8	HH2-2824-000		1	CORD, MODULAR	SEE NOTEFAX MODEL	

# FIGURE T21 SPEAKER ASSEMBLY (FAX)

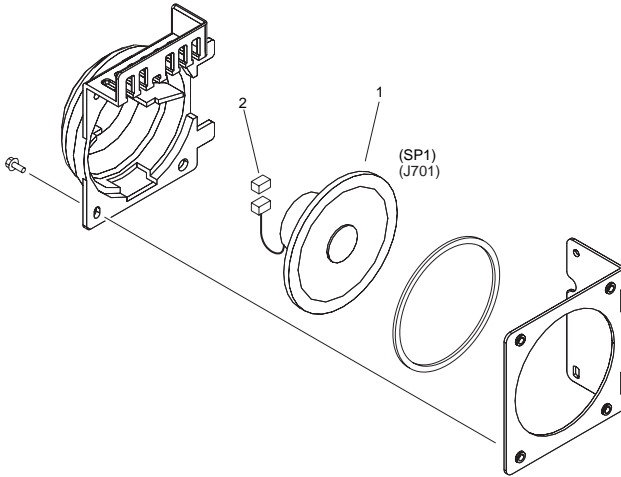


FIGURE & KEY NO.	PARTS NUMBER	RANK	QTY	DESCRIPTION	SERIAL NUMBER/REMARKS	SVC
Fig.T21	FM2-5569-000		1	SPEAKER ASSEMBLY (FAX)	FAX MODEL	
1	FK2-0428-000		1	SPEAKER	SP1	
2	VS1-7177-002		1	CONNECTOR, SNAP TIGHT, BK		

# FIGURE ZZA

## MECHANICAL STANDARD PARTS (HOW TO USE)

### Mechanical standard parts

#### 機械標準部品

#### About a mechanical standard parts

A Mechanical standard parts is a mechanical part which not parts peculiar to a product. They are parts which are common to a Canon product and are used, such as a screw and a washer. The Fig No. and parts number of the mechanical standard parts are not listed in the product parts catalog. Refer to the parts catalog of mechanical standard parts when checking the parts number for screw or washer etc. and identify them by part shape or size.

#### 機械標準部品とは

機械標準部品とは、製品特有の部品ではなく、ねじやワッシャなどキヤノン製品共通で使用されている機械部品（メカ部品）のことです。  
製品のパーツカタログには、機械標準部品のFig No.や部品番号は記載しておりません。  
ねじや、ワッシャ等の部品番号を調べるときは、機械標準部品のパーツカタログを参照し、部品の形状や大きさから判断し、使用している部品を調べてください。

#### Material and surface treatment of a mechanical standard parts

Material and surface treatment of mechanical standard parts are assigned commonly for each part. Refer to the Table 1 for the parts which material and surface treatment are assigned as numbers.

#### 機械標準部品の材料および表面処理

機械標準部品の材料および表面処理については、各種部品共通で決められています。  
材料および表面処理が番号で決められている部品については、表1を参照してください。

Table 1 Material and Surface treatment  
表1 材料および表面処理

No. 番号	Material 材料	Surface treatment 表面処理	Color 色
1	Stainless steel ステンレス	Stainless steel black coloring (BC4) ステンレス黒着色(BC4)	Black 黒
2		not to be given なし	White 白
3	Brass 黄銅	Regular nickel plating (NL) 普通ニッケルメッキ(NL)	White 白
4		Black nickel plating (BN) 黒色ニッケルメッキ(BN)	Black 黒
5	Steel 鋼	White zinc trivalent chromate treating (ZC3) 白色亜鉛3価クロメート(ZC3)	White 白
6		Regular nickel chromium plating (NC) 普通ニッケルクロムメッキ(NC)	White 白
7		Regular nickel plating (NL) 普通ニッケルメッキ(NL)	White 白
8		Iron and steel phosphating (P1) 鉄鋼磷酸塩処理(P1)	Black 黒
9		Black zinc trivalent chromate treating (BZ3) 黒色亜鉛3価クロメート(BZ3)	Black 黒

# FIGURE ZZB MECHANICAL STANDARD PARTS (SCREWS)

## 1. Screws ねじ

How to read Parts Numbers  
部品番号の見方

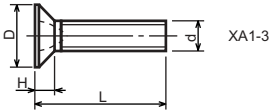
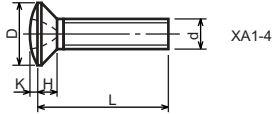
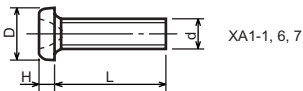
Screws  
ねじ

**XB1-2400-609**

Type No.  
類別番号  
Normal designation (d)  
ねじの呼び(d)  
Length (L)  
ねじの長さ(L)  
Material and Surface treatment  
材料および表面処理

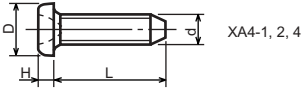
XB1-2 expresses Binding head machine screw.  
XB1-2は、バインドねじを表す  
40 expresses M4.0.  
40は、M4.0を表す  
0-60 expresses a length of 6.0mm.  
0-60は、6.0mmの長さを表す  
9 expresses Steel (Black zinc trivalent chromate treating) from Table 1.  
9は、表1より鋼(黒色亜鉛3価クロメート)を表す

### 1-1. Cross Recessed Head Screws for Precision Equipments 精密機器用十字穴付き小ねじ

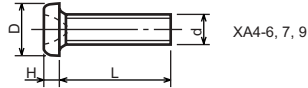


Type No. 類別番号	Type 類別	Head size (mm) 頭部寸法 (mm)							
		M1.4	M1.6	M1.7	M2	M2.5	M2.6		
XA1-1	Pan head Class 1 なべ1種	D	XA1-1	2	2.4	2.5	3	3.8	4
		H	XA1-1	0.5	0.55	0.5	0.6	0.9	0.8
XA1-3	Countersunk head Class 1 さら1種	D	XA1-3	2	2.4	2.5	3	3.8	4
		H	XA1-3	0.48	0.55	0.58	0.73	0.85	0.93
XA1-4	Oval countersunk head Class 1 丸さら1種	D	XA1-4	2	2.4	2.5	3	3.8	4
		H + K	XA1-4	0.68	0.8	0.88	1	1.25	1.3
XA1-6	Pan head Class 3 なべ3種	D	XA1-6	2.5	2.8	3	3.5	4.3	4.5
		H	XA1-6	0.8	0.85	0.9	1	1.3	1.2
XA1-7	Pan head Class 2 なべ2種	D	XA1-7	2.5	2.8	3	3.5	4.3	4.5
		H	XA1-7	0.5	0.55	0.5	0.6	0.9	0.8

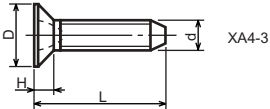
1-2. Precision Tapping Screws  
精密用タッピンねじ



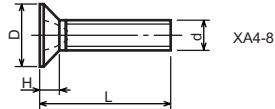
XA4-1, 2, 4



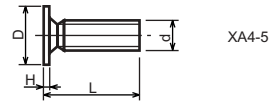
XA4-6, 7, 9



XA4-3



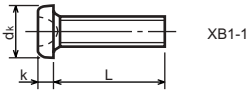
XA4-8



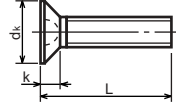
XA4-5

Type No. 類別番号	Type 類別	Head size (mm) 頭部寸法 (mm)						
		M1.4	M1.6	M1.7	M2	M2.5	M2.6	
XA4-1	With tapered end pan head Class 1 絞りなべ1種	D XA4-1	2	2.4	2.5	3	3.8	4
		H XA4-1	0.5	0.55	0.5	0.6	0.9	0.8
XA4-2	With tapered end pan head Class 3 絞りなべ3種	D XA4-2	2.5	2.8	3	3.5	4.3	4.5
		H XA4-2	0.8	0.85	0.9	1	1.3	1.2
XA4-3	With tapered end countersunk head 絞り-さら	D XA4-3	2	2.4	2.5	3	3.8	4
		H XA4-3	0.48	0.55	0.58	0.73	0.85	0.93
XA4-4	With tapered end pan head Class 2 絞りなべ2種	D XA4-4	2.5	2.8	3	3.5	4.3	4.5
		H XA4-4	0.5	0.55	0.5	0.6	0.9	0.8
XA4-5	With parallel end ultra thin head ストレート-超薄頭	D XA4-5	2.5	2.8	3	-	-	-
		H XA4-5	0.2	0.2	0.2	-	-	-
XA4-6	With parallel end pan head Class 1 ストレートなべ1種	D XA4-6	2	2.4	2.5	3	3.8	4
		H XA4-6	0.5	0.55	0.5	0.6	0.9	0.8
XA4-7	With parallel end pan head Class 3 ストレートなべ3種	D XA4-7	2.5	2.8	3	3.5	4.3	4.5
		H XA4-7	0.8	0.85	0.9	1	1.3	1.2
XA4-8	With parallel end countersunk head ストレート-さら	D XA4-8	2	2.4	2.5	3	3.8	4
		H XA4-8	0.48	0.55	0.58	0.73	0.85	0.93
XA4-9	With parallel end pan head Class 2 ストレートなべ2種	D XA4-9	2.5	2.8	3	3.5	4.3	4.5
		H XA4-9	0.5	0.55	0.5	0.6	0.9	0.8

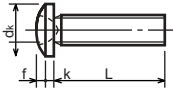
**1-3. Cross Recessed Head Screws**  
 一般用十字穴付き小ねじ



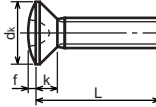
XB1-1



XB1-3



XB1-2

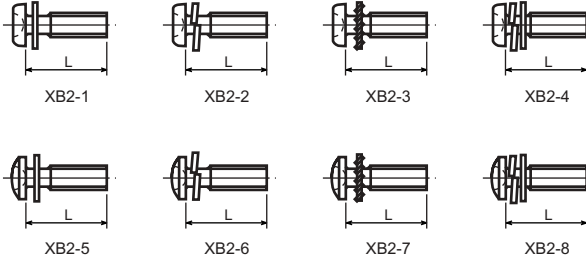


XB1-4

Type No. 類別番号	Type 類別
XB1-1	Pan head なべ
XB1-2	Binding head バインド
XB1-3	Countersunk head さら
XB1-4	Oval countersunk head 丸さら

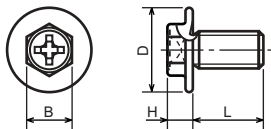
		Head size (mm) 頭部寸法 (mm)					
		M2	M2.5	M2.6	M3	M4	M5
dk	XB1-1	3.5	4.5	4.5	5.5	7	9
k	XB1-1	1.3	1.7	1.7	2	2.6	3.3
dk	XB1-2	4.3	5.3	5.5	6.3	8.3	10.3
k+f	XB1-2	1.2	1.5	1.6	1.9	2.5	3.1
dk	XB1-3	4	5	-	6	8	10
k	XB1-3	1.2	1.45	-	1.75	2.3	2.8
dk	XB1-4	4	5	-	6	8	10
k+f	XB1-4	1.6	2	-	2.45	3.2	4
Screw part length ねじ部長さ b		8	12	12	12	16	20

1-4. Cross Recessed Head Screws with Captive Washer  
 座金組込み十字穴付き小ねじ



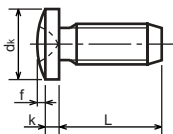
Type No. 類別番号	Type 類別
XB2-1	Pan head + Plain washer (circular bright) なべねじ+平座金
XB2-2	Pan head + Spring washer なべねじ+ばね座金
XB2-3	Pan head + Toothed lock washer なべねじ+歯付座金
XB2-4	Pan head + Spring washer and plain washer (circular bright) なべねじ+(ばね+平)座金
XB2-5	Binding head + Plain washer (circular bright) バインドねじ+平座金
XB2-6	Binding head + Spring washer バインドねじ+ばね座金
XB2-7	Binding head + Toothed lock washer バインドねじ+歯付座金
XB2-8	Binding head + Spring washer and plain washer (circular bright) バインドねじ+(ばね+平)座金

**1-5. Hexagon Head Tapping Screws for Metallic Materials**  
 金属用六角タッピンねじ



Type No. 類別番号	Type 類別	Head size (mm) 頭部寸法 (mm)	
		M3	M4
XB3-6	For metallic materials 金属用タッピン	D	8 10
		B	5.5 5.5
XB3-7	For metallic materials with clawed 金属用タッピン-つめ付き	H XB3-6	3.1 3.1
		H XB3-7	3.2 3.2

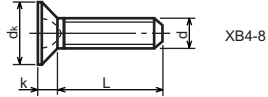
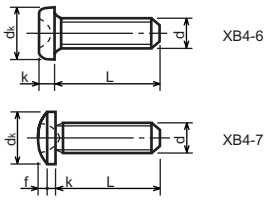
**1-6. Special Tapping Screws**  
 特殊タッピンねじ



Type No. 類別番号	Type 類別	Head size (mm) 頭部寸法 (mm)	
		M3	M4
XB4-5	Binding head バインド	d <sub>k</sub>	6.3 8.3
		k	1.3 1.7
		k+f	1.9 2.5

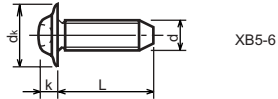
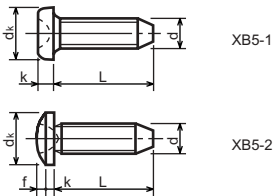


1-7. General Head Tapping Screws  
一般用タッピンねじ



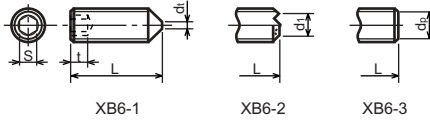
Type No. 類別番号	Type 類別	Head size (mm) 頭部寸法 (mm)						
		M2	M2.5	M2.6	M3	M4	M5	
XB4-6	Pan head なべ	$d_k$ XB4-6	3.5	4.5	4.5	5.5	7	9
		$k$ XB4-6	1.3	1.7	1.7	2	2.6	3.3
XB4-7	Binding head バインド	$d_k$ XB4-7	4.3	5.3	5.5	6.3	8.3	10.3
		$k+f$ XB4-7	1.2	1.5	1.6	1.9	2.5	3.1
XB4-8	Countersunk head さら	$d_k$ XB4-8	4	5	5.2	6	8	10
		$k$ XB4-8	1.2	1.45	1.5	1.75	2.3	2.8

1-8. Tapping Screws for Metallic Materials  
金属用タッピンねじ



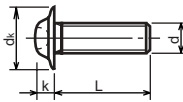
Type No. 類別番号	Type 類別	Head size (mm) 頭部寸法 (mm)					
		M2.5	M2.6	M3	M4	M5	
XB5-1	Pan head なべ	$d_k$ XB5-1	4.5	4.5	5.5	7	9
		$k$ XB5-1	1.7	1.7	2	2.6	3.3
XB5-2	Binding head バインド	$d_k$ XB5-2	5.5	5.5	6.3	8.3	10.3
		$k+f$ XB5-2	1.6	1.6	1.9	2.5	3.1
XB5-6	Flanged pan head つば付きなべ	$d_k$ XB5-6	6.5	6.5	8	10	12
		$k$ XB5-6	2.1	2.1	1.75	3.2	4

**1-9. Hexagon Socket Set Screws**  
六角穴付止めねじ



Type No. 類別番号	Type 類別	Head size (mm) 頭部寸法 (mm)							
		M1.6 M1.7	M2	M2.5 M2.6	M3	M5	M5	M6	
XB6-1	Cone point とがり先	S	0.7	0.9	1.3	1.5	2	2.5	3
		t	1.5	1.7	2	2	2.5	3	3.5
		$d_{t \max}$ XB6-1	0.4	0.5	0.65	0.75	1	1.25	1.5
		$d_{l \max}$ XB6-2	-	1.2	1.5	1.7	2.2	2.8	3.3
		$d_{l \min}$ XB6-2	-	1	1.2	1.4	1.9	2.4	2.9
XB6-3	Flat point 平先	$d_{p \max}$ XB6-3	0.8	1	1.5	2	2.5	3.5	4
		$d_{p \min}$ XB6-3	0.55	0.75	1.25	1.75	2.25	3.2	3.7

**1-10. Flanged Pan Head Machine Screws**  
つば付きなべ小ねじ



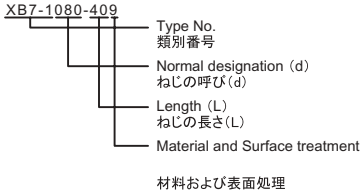
Type No. 類別番号	Type 類別	Head size (mm) 頭部寸法 (mm)					
		M2	M2.5 M2.6	M3	M5	M5	
XB6-7	Flanged pan head つば付きなべ	$d_k$	5	6.5	8	10	12
		k	1.7	2.1	2.5	3.2	4

# FIGURE ZZC MECHANICAL STANDARD PARTS (BOLTS)

## 2. Bolts (Socket head cap screw) ボルト

How to read Parts Numbers  
部品番号の見方

Bolt (Socket head cap screw)  
ボルト



XB7-1 expresses Hexagon socket head cap screws.  
XB7-1は、六角穴付きボルトを表す

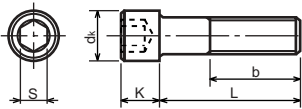
080 expresses M8.0.  
080は、M8.0を表す

40 expresses a length of 40mm.  
40は、40mmの長さを表す

9 expresses Steel (Black zinc trivalent chromate  
treating) from Table 1.

9は、表1より鋼(黒色亜鉛3価クロメート)を表す

### 2-1. Hexagon socket head cap screws 六角穴付きボルト



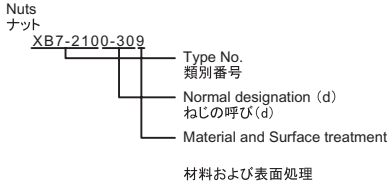
Type No. 類別番号	Type 類別
XB7-1	Hexagon socket head cap screws 六角穴付きボルト

	Head size (mm) 頭部寸法 (mm)						
	M3	M4	M5	M6	M8	M10	M12
S	2.5	3	4	5	6	8	10
$d_k$	5.5	7	8.5	10	13	16	18
K	3	4	5	6	8	10	12
Screw part length $b_{max}$ ねじ部長さ $b_{max}$	18	20	22	24	28	32	36

# FIGURE ZZD MECHANICAL STANDARD PARTS (NUTS)

## 3. Nuts ナット

How to read Parts Numbers  
部品番号の見方



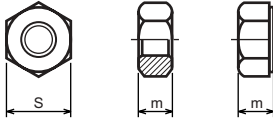
XB7-210 expresses Hexagon nut class 1.  
XB7-210は、六角ナット1種を表す

0-30 expresses M3.0.  
0-30は、M3.0を表す

9 expresses Steel (Black zinc trivalent chromate  
treating) from Table 1.

9は、表1より鋼(黒色亜鉛3価クロメート)を表す

### 3-1. Hexagon Nuts and Hexagon Thin Nuts 六角ナット



Type No. 類別番号	Type 類別
XB7-210	Hexagon nut Class 1 六角ナット-1種
XB7-220	Hexagon nut Class 3 六角ナット-3種
XB7-230	Hexagon nut Style 1 double chamfered 六角ナット-スタイル1-両面とり
XB7-231	Hexagon nut Style 1 washer faced 六角ナット-スタイル1-座付き
XB7-240	Hexagon nut Style 2 double chamfered 六角ナット-スタイル2-両面とり
XB7-241	Hexagon nut Style 2 washer faced 六角ナット-スタイル2-座付き
XB7-250	Hexagon nut 六角ナット
XB7-260	Hexagon thin nut double chamfered 六角低ナット-両面とり
XB7-270	Hexagon thin nut not chamfered 六角低ナット-面とり無し

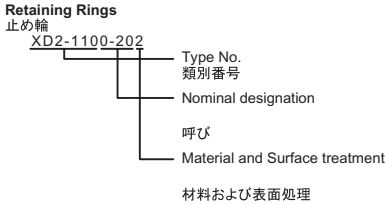
	Head size (mm) 頭部寸法 (mm)						
	M2	M2.5	M3	M4	M5	M6	M8
S	4	5	5.5	7	8	10	13
m XB7-210	1.6	2	2.4	3.2	4	5	6.5
m XB7-220	1.2	1.6	1.8	2.4	3.2	3.6	5
m XB7-230, 231	1.6	2	2.4	3.2	4.7	5.2	6.8
m XB7-240, 241	-	-	-	-	5.1	5.7	7.5
m XB7-250	-	-	-	-	5.6	6.1	7.9
m XB7-260	1.2	1.6	1.8	2.2	2.7	3.2	4
m XB7-270	1.2	1.6	1.8	2.2	2.7	3.2	4

# FIGURE ZZE MECHANICAL STANDARD PARTS (RETAINING RINGS)

## 5. Retaining Rings

止め輪

How to read Parts Numbers  
部品番号の見方



XD2-110 expresses retaining ring-E type (Type1).  
XD2-110は、E形止め輪(1種)を表す

0-20 expresses a 020 of nominal designation.  
(See Table 5)

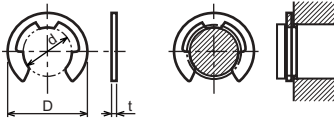
0-20は、呼び020を表す(表5参照)

2 expresses Stainless steel (Surface treatment is not to be given) from Table 1.

2は、表1よりステンレス(表面処理なし)を表す

### 5-1. Retaining Rings - E type

E形止め輪

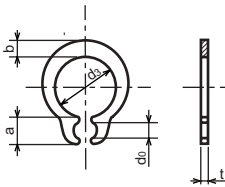


Type No. 類別番号	Type 類別
XD2-110	Retaining ring - E type (Type 1) E形止め輪(1種)
XD2-120	Retaining ring - E type (Type 2) E形止め輪(2種)

Table 5 表5

Type 種類	Nominal designation 呼び	d (mm)	D (mm)	t (mm)
Type 1 1種	007	0.65	2	0.2
	010	0.95	2.8	0.2
	013	1.25	3.3	0.3
	017	1.65	4.2	0.4
	020	1.95	4.6	0.5
	024	2.35	6	0.6
	028	2.74	6.5	0.6
	032	3.14	7.2	0.6
	037	3.64	8	0.7
	040	3.93	10	0.7
	042	4.13	10	0.7
	050	4.93	11	0.7
	058	5.73	12	0.7
	060	5.93	12.7	0.9
	064	6.32	13.5	0.9
	074	7.31	15	0.9
080	7.91	16.5	1	
Type 2 2種	008	0.8	2	0.2
	012	1.2	3	0.3
	015	1.5	4	0.4
	020	2	5	0.4
	025	2.5	6	0.4
	030	3	7	0.6
	040	4	9	0.6
	050	5	11	0.6
	060	6	12	0.8
	070	7	14	0.8
	080	8	16	0.8
	090	9	18	0.8
	100	10	20	1

5-2. Grip Rings  
グリップ止め輪

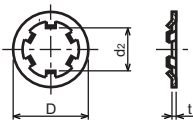


Type No. 類別番号	Type 類別
XD2-210	Grip ring グリップ止め輪

Table 5 表5

Nominal designation 呼び	d <sub>3</sub> (mm)	t (mm)	b (mm)	a (mm)	d <sub>0</sub> (mm)
020	1.9	0.5	1	1.8	0.8
025	2.35	0.5	1.2	1.9	0.9
030	2.85	0.6	1.4	1.9	0.9
035	3.3	0.6	1.6	2	0.9
040	3.8	0.8	1.8	2.8	1.2
045	4.25	0.8	2	2.9	1.3
050	4.75	0.8	2.2	2.9	1.3
060	5.7	1	2.4	3.1	1.4
070	6.7	1	2.7	3.3	1.4
080	7.7	1	3	3.5	1.4
090	8.65	1.2	3.3	4.7	1.5
100	9.65	1.2	3.5	4.7	2

5-3. Toothed Retaining Rings  
歯付き形止め輪



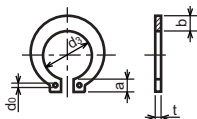
Type No. 類別番号	Type 類別
XD2-230	Toothed retaining ring 歯付き形止め輪

Table 5 表5

Nominal designation 呼び	d <sub>z</sub> (mm)	D (mm)	t (mm)	No of teeth 歯数
015	1.4	5.2	0.25	3
020	1.9	6	0.25	3
024	2.3	6.4	0.25	3
030	2.8	8	0.25	4
040	3.8	9	0.25	4
050	4.8	10	0.25	5
060	5.8	11	0.25	5
080	7.8	13	0.25	5
100	9.8	15.4	0.25	6

### 5-4. Retaining Rings - C Type

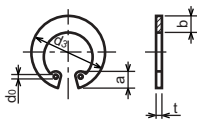
C形止め輪



Type No. 類別番号	Type 類別
XD2-310	Retaining ring - C type for shaft C形止め輪 軸用

Table 5 表5

Nominal designation 呼び	d <sub>3</sub> (mm)	t (mm)	b (mm)	a (mm)	d <sub>0</sub> (mm)
010	9.3	1	1.6	3	1.2
012	11.1	1	1.8	3.2	1.5
014	12.9	1	2	3.4	1.7
015	13.8	1	2.1	3.5	1.7
016	14.7	1	2.2	3.6	1.7
017	15.7	1	2.2	3.7	1.7
018	16.5	1.2	2.6	3.8	1.7
020	18.5	1.2	2.7	3.9	2
022	20.5	1.2	2.7	4.1	2
025	23.2	1.2	3.1	4.3	2
028	25.9	1.5	3.1	4.6	2
030	27.9	1.5	3.5	4.8	2
032	29.6	1.5	3.5	5	2.5
035	32.2	1.5	4	5.4	2.5



Type No. 類別番号	Type 類別
XD2-320	Retaining ring - C type for hole C形止め輪 穴用

Table 5 表5

Nominal designation 呼び	d <sub>3</sub> (mm)	t (mm)	b (mm)	a (mm)	d <sub>0</sub> (mm)
010	10.7	1	1.8	3.1	1.2
011	11.8	1	1.8	3.2	1.2
012	13	1	1.8	3.3	1.5
014	15.1	1	2	3.6	1.7
016	17.3	1	2	3.7	1.7
018	19.5	1	2.5	4	1.7
019	20.5	1	2.5	4	2
020	21.5	1	2.5	4	2
022	23.5	1	2.5	4.1	2
025	26.9	1.2	3	4.4	2
028	30.1	1.2	3	4.6	2
030	32.1	1.2	3	4.7	2
032	34.4	1.2	3.5	5.2	2.5
035	37.8	1.5	3.5	5.2	2.5
037	39.8	1.5	3.5	5.2	2.5
040	43.5	1.8	4	5.7	2.5
042	45.5	1.8	4	5.8	2.5
045	48.5	1.8	4.5	5.9	2.5
047	50.5	1.8	4.5	6.1	2.5
050	54.2	2	4.5	6.5	2.5
052	56.2	2	5.1	6.5	2.5
055	59.2	2	5.1	6.5	2.5
060	64.2	2	5.1	6.8	2.5
062	66.2	2	5.5	6.9	2.5
068	72.5	2.5	6	7.4	2.5
072	76.5	2.5	6.6	7.4	2.5
075	79.5	2.5	6.6	7.8	2.5
080	85.5	2.5	7	8	2.5
085	90.5	3	7	8	3
090	95.5	3	7.6	8.3	3
095	100.5	3	8	8.5	3





Prepared by  
OIP Service Management Center  
CANON INC.

**Canon**