

# **PARTS CATALOG**

**iR 3245/3235/3230/3225  
Series**

**Canon**

**Dec 19 2008**



## **PREFACE**

This Parts Catalog contains listings of parts used

Diagrams are provided with the listings to aid the service technician in identifying clearly, the item to be ordered.

Whenever ordering parts, consult this Parts Catalog for all of the information pertaining to each item. Be sure to include, in the Parts Request, the full item description, the item part number, and the quantity.

***COPYRIGHT (C) 1999 CANON INC.***

Use of this manual should be strictly supervised to avoid disclosure of confidential information.





# Contents

## NUMERICAL INDEX

iR3245/3235/3230/3225 Series(Numerical Index)..... 1-1

## iR3245/3235/3230/3225 Series(Parts Catalog)

A1	ASSEMBLY LOCATION DIAGRAM .....	2-1
A2	OPTION PARTS CATALOG LIST .....	2-7
001	ACCESSORIES .....	2-8
100	EXTERNAL COVERS, PANELS, ETC. ....	2-10
101	MACHINE FRONT PLATE .....	2-15
102	INTERNAL COMPONENTS 1 .....	2-17
103	INTERNAL COMPONENTS 2 .....	2-20
104	INTERNAL COMPONENTS 3 .....	2-22
105	MACHINE REAR PLATE 1 .....	2-24
106	MACHINE REAR PLATE 2 .....	2-26
107	MACHINE REAR PLATE 3 .....	2-28
115	RIGHT DOOR ASSEMBLY .....	2-30
116	PAPER FEEDER FRAME ASSEMBLY .....	2-35
130	CONTROL PANEL ASSEMBLY .....	2-37
140	POWER CORD TERMINAL ASSEMBLY .....	2-39
145	RIGHT LOWER DOOR ASSEMBLY .....	2-41
250	MAIN DRIVE ASSEMBLY (iR3225 Series) .....	2-43
251	MAIN DRIVE ASSEMBLY (iR3245/3235/3230 Series) .....	2-45
261	DUPLEXING DRIVE ASSEMBLY (iR3245/3235/3230 Series) .....	2-47
281	FIXING DELIVERY DRIVE ASSEMBLY .....	2-49
300	CASSETTE 1 .....	2-51
301	CASSETTE 2 .....	2-54
310	PAPER PICK-UP ASSEMBLY 1 .....	2-57
311	PAPER PICK-UP ASSEMBLY 2 .....	2-61
315	MULTI FEED TRAY ASSEMBLY .....	2-65
350	PAPER DELIVERY ASSEMBLY .....	2-67
351	2ND/3RD DELIVERY ASSEMBLY .....	2-69
352	2ND UPPER DELIVERY ASSEMBLY .....	2-71
353	2ND DELIVERY FRAME ASSEMBLY .....	2-73
354	3RD DELIVERY FRAME ASSEMBLY .....	2-76
370	CASSETTE HEATER ASSEMBLY .....	2-79
400	READER ASSEMBLY .....	2-81
460	LASER SCANNER ASSEMBLY .....	2-86
500	DRUM CARTRIDGE ASSEMBLY .....	2-87
621	HOPPER ASSEMBLY .....	2-88

# Contents

640	DEVELOPING ASSEMBLY .....	2-91
810	FIXING ASSEMBLY .....	2-94
900	CONTROLLER BOX ASSEMBLY .....	2-99
910	MAIN POWER SUPPLY PCB ASSEMBLY .....	2-101
930	DC CONTROLLER PCB ASSEMBLY .....	2-102
931	READER CONTROLLER PCB ASSEMBLY .....	2-103
932	MAIN CONTROLLER PCB ASSEMBLY .....	2-104
950	IMAGE PCB ASSEMBLY .....	2-105
994	RELAY DELIVERY CONT. PCB ASS'Y .....	2-106
A01	DADF MOUNTING HARDWARE (ADF model) .....	2-107
A10	INTERNAL COMPONENTS (ADF model) .....	2-109
A11	BASE ASSEMBLY (ADF model) .....	2-112
A12	PAPER PICK-UP COVER ASSEMBLY (ADF model) .....	2-114
A13	DOCUMENT TRAY ASSEMBLY (ADF model) .....	2-117
A21	DRIVE ASSEMBLY (ADF model) .....	2-119
A41	FEEDER ASSEMBLY (ADF model) .....	2-121
A90	ADF CONTROLLER PCB ASSEMBLY (ADF model) .....	2-126
T21	ATTACHMENT PARTS (FAX model) .....	2-127
T22	FAX ASSEMBLY (FAX model) .....	2-128
T23	SPEAKER ASSEMBLY (FAX model) .....	2-130

# NUMERICAL INDEX

## IR3245/3235/3230/3225 Series(Numerical Index)

PARTS NUMBER	FIGURE & KEY NO.	PARTS NUMBER	FIGURE & KEY NO.	PARTS NUMBER	FIGURE & KEY NO
FA3-8727-000	621 - 8	FB6-3479-000	301 - 2	FC5-0588-010	145 - 2
FA9-2112-000	250 - 6	FB6-3480-000	300 - 3	FC5-0590-000	145 - 4
FA9-2112-000	251 - 6	FB6-3480-000	301 - 3	FC5-0591-000	300 - 13
FA9-2112-000	261 - 1	FB6-3481-000	300 - 4	FC5-0592-000	145 - 5
FA9-2112-000	621 - 28	FB6-3481-000	301 - 4	FC5-0593-000	145 - 6
FB1-8581-000	115 - 23	FB6-3482-000	300 - 5	FC5-0594-000	145 - 7
FB5-4754-000	352 - 7	FB6-3482-000	301 - 5	FC5-0595-010	310 - 25
FB5-4754-000	353 - 1	FB6-3483-000	300 - 6	FC5-0598-000	300 - 14
FB5-4931-000	810 - 1	FB6-3483-000	301 - 6	FC5-0598-000	301 - 14
FB5-9325-000	354 - 1	FB6-3484-000	300 - 7	FC5-0605-000	301 - 16
FB6-3313-000	104 - 2	FB6-3484-000	301 - 7	FC5-0622-000	300 - 15
FB6-3313-000	145 - 1	FB6-3486-000	300 - 8	FC5-0624-000	301 - 15
FB6-3380-020	310 - 1	FB6-3486-000	301 - 8	FC5-0635-000	300 - 16
FB6-3380-020	311 - 1	FB6-3490-000	300 - 9	FC5-0636-000	300 - 17
FB6-3386-010	310 - 2	FB6-3490-000	301 - 9	FC5-0637-000	301 - 17
FB6-3386-010	311 - 2	FB6-3499-000	300 - 30	FC5-0652-000	115 - 6
FB6-3387-000	311 - 25	FB6-3499-000	301 - 12	FC5-0653-020	115 - 7
FB6-3388-000	310 - 3	FB6-3506-000	300 - 10	FC5-0655-000	810 - 26
FB6-3388-000	311 - 3	FB6-3506-000	301 - 10	FC5-0657-000	115 - 42
FB6-3389-000	310 - 4	FB6-3507-000	102 - 2	FC5-0658-000	115 - 43
FB6-3389-000	311 - 4	FB6-3524-000	301 - 30	FC5-0659-000	115 - 9
FB6-3391-000	310 - 6	FB6-3771-000	100 - 1	FC5-0673-000	101 - 7
FB6-3391-000	311 - 6	FB6-3950-000	100 - 31	FC5-0674-000	115 - 10
FB6-3392-020	310 - 7	FB6-4852-000	310 - 24	FC5-0676-000	115 - 11
FB6-3392-020	311 - 7	FB6-4852-000	311 - 24	FC5-0681-000	115 - 60
FB6-3394-000	310 - 9	FB6-7078-000	310 - 22	FC5-0682-000	115 - 13
FB6-3394-000	311 - 9	FB6-7078-000	311 - 22	FC5-0685-000	115 - 14
FB6-3395-000	310 - 10	FC5-0166-000	100 - 32	FC5-0686-010	101 - 8
FB6-3395-000	311 - 10	FC5-0191-000	104 - 6	FC5-0687-000	101 - 9
FB6-3396-010	310 - 11	FC5-0479-030	315 - 5	FC5-0688-000	101 - 10
FB6-3396-010	311 - 11	FC5-0481-000	315 - 7	FC5-0689-000	101 - 11
FB6-3397-000	310 - 12	FC5-0489-000	115 - 25	FC5-0690-000	115 - 15
FB6-3397-000	311 - 12	FC5-0490-000	115 - 26	FC5-0691-000	115 - 44
FB6-3398-000	310 - 13	FC5-0496-000	115 - 38	FC5-0693-000	115 - 5
FB6-3398-000	311 - 13	FC5-0529-000	115 - 30	FC5-0697-000	810 - 32
FB6-3402-000	310 - 15	FC5-0540-000	102 - 39	FC5-0703-000	115 - 46
FB6-3402-000	311 - 15	FC5-0542-000	115 - 32	FC5-0798-000	104 - 22
FB6-3403-000	310 - 16	FC5-0543-000	115 - 31	FC5-0800-000	350 - 4
FB6-3403-000	311 - 16	FC5-0544-000	315 - 13	FC5-0805-000	353 - 17
FB6-3404-000	310 - 17	FC5-0546-000	315 - 11	FC5-0806-000	350 - 6
FB6-3404-000	311 - 17	FC5-0547-000	102 - 40	FC5-0812-000	100 - 17
FB6-3405-000	310 - 18	FC5-0548-000	116 - 1	FC5-0859-000	351 - 1
FB6-3405-000	311 - 18	FC5-0549-000	116 - 13	FC5-0860-020	100 - 43
FB6-3408-000	310 - 20	FC5-0563-020	001 - 2	FC5-0862-000	354 - 9
FB6-3408-000	311 - 20	FC5-0567-010	102 - 17	FC5-0870-000	352 - 8
FB6-3410-000	310 - 21	FC5-0568-000	102 - 18	FC5-0871-000	353 - 19
FB6-3410-000	311 - 21	FC5-0571-010	102 - 3	FC5-0872-000	354 - 2
FB6-3413-000	310 - 23	FC5-0573-000	104 - 17	FC5-0873-000	353 - 20
FB6-3413-000	311 - 23	FC5-0583-000	300 - 11	FC5-0888-020	351 - 2
FB6-3478-000	300 - 1	FC5-0583-000	301 - 11	FC5-0889-000	100 - 20
FB6-3478-000	301 - 1	FC5-0584-000	301 - 13	FC5-0953-000	100 - 3
FB6-3479-000	300 - 2	FC5-0585-000	300 - 12	FC5-0954-000	100 - 37

# NUMERICAL INDEX

## iR3245/3235/3230/3225 Series(Numerical Index)

PARTS NUMBER	FIGURE & KEY NO.	PARTS NUMBER	FIGURE & KEY NO.	PARTS NUMBER	FIGURE & KEY NO
FC5-0957-000	100 - 18	FC5-1118-000	101 - 20	FC5-1423-000	301 - 19
FC5-0958-000	102 - 49	FC5-1120-000	116 - 2	FC5-1424-020	300 - 20
FC5-0959-000	103 - 1	FC5-1121-000	116 - 3	FC5-1424-020	301 - 20
FC5-0972-000	115 - 16	FC5-1124-000	116 - 4	FC5-1425-000	300 - 21
FC5-0974-000	353 - 5	FC5-1125-000	116 - 5	FC5-1425-000	301 - 21
FC5-0976-000	354 - 14	FC5-1126-000	116 - 6	FC5-1516-000	106 - 4
FC5-0977-000	354 - 10	FC5-1127-000	116 - 7	FC5-1517-000	106 - 5
FC5-0978-020	351 - 3	FC5-1130-000	104 - 1	FC5-1518-000	106 - 6
FC5-0985-020	352 - 20	FC5-1131-000	810 - 2	FC5-1533-000	104 - 16
FC5-0987-000	352 - 1	FC5-1146-000	100 - 51	FC5-1535-000	101 - 17
FC5-0988-000	352 - 2	FC5-1168-000	140 - 1	FC5-1535-000	104 - 8
FC5-0989-020	352 - 3	FC5-1208-000	621 - 1	FC5-1536-000	116 - 8
FC5-0991-000	352 - 21	FC5-1209-000	621 - 2	FC5-1539-000	102 - 23
FC5-0996-000	353 - 6	FC5-1210-000	621 - 10	FC5-1540-000	102 - 24
FC5-0997-000	353 - 7	FC5-1211-000	621 - 11	FC5-1541-000	102 - 25
FC5-0998-000	353 - 18	FC5-1214-000	621 - 9	FC5-1545-000	102 - 26
FC5-0999-030	353 - 16	FC5-1217-000	621 - 32	FC5-1552-000	116 - 14
FC5-1003-040	354 - 15	FC5-1221-000	621 - 3	FC5-1558-000	116 - 9
FC5-1005-000	354 - 16	FC5-1239-000	640 - 2	FC5-1559-000	116 - 10
FC5-1006-000	354 - 17	FC5-1243-000	103 - 10	FC5-1562-000	102 - 34
FC5-1009-000	354 - 11	FC5-1246-000	640 - 3	FC5-1564-000	102 - 41
FC5-1010-000	354 - 30	FC5-1247-000	640 - 9	FC5-4285-030	A11 - 1
FC5-1011-000	354 - 31	FC5-1249-000	640 - 4	FC5-4286-000	A11 - 2
FC5-1012-000	354 - 3	FC5-1254-000	640 - 8	FC5-4287-000	A11 - 3
FC5-1013-000	352 - 22	FC5-1262-000	103 - 11	FC5-4323-000	A12 - 1
FC5-1013-000	354 - 18	FC5-1265-000	621 - 12	FC5-4324-000	A12 - 2
FC5-1014-000	354 - 19	FC5-1269-000	621 - 30	FC5-4353-000	A41 - 1
FC5-1017-000	353 - 8	FC5-1274-000	621 - 13	FC5-4396-000	A10 - 25
FC5-1019-020	351 - 5	FC5-1277-000	100 - 12	FC5-4397-000	A10 - 25
FC5-1020-020	354 - 4	FC5-1282-000	100 - 14	FC5-4399-000	A10 - 2
FC5-1023-000	354 - 5	FC5-1340-000	810 - 39	FC5-4400-000	A10 - 3
FC5-1024-000	354 - 35	FC5-1341-010	810 - 13	FC5-4425-000	A11 - 4
FC5-1025-000	352 - 4	FC5-1343-000	810 - 54	FC5-4425-000	A12 - 3
FC5-1038-000	352 - 5	FC5-1345-000	810 - 57	FC5-4425-000	A21 - 1
FC5-1053-000	353 - 9	FC5-1346-000	810 - 50	FC5-4425-000	A41 - 2
FC5-1054-000	354 - 36	FC5-1348-000	810 - 51	FC5-4427-000	A01 - 4
FC5-1059-000	130 - 1	FC5-1351-000	810 - 4	FC5-4458-010	130 - 6
FC5-1061-000	130 - 2	FC5-1353-000	810 - 52	FC5-5472-000	T23 - 1
FC5-1064-000	130 - 3	FC5-1354-000	115 - 17	FC5-5473-000	T23 - 2
FC5-1065-000	130 - 4	FC5-1356-000	810 - 21	FC5-5474-000	353 - 10
FC5-1066-000	130 - 5	FC5-1358-000	810 - 6	FC5-6003-000	352 - 24
FC5-1087-000	102 - 53	FC5-1360-000	810 - 7	FC5-6003-000	354 - 12
FC5-1100-000	100 - 24	FC5-1367-000	810 - 8	FC5-6004-000	351 - 14
FC5-1101-000	100 - 5	FC5-1368-000	810 - 9	FC5-6006-000	354 - 6
FC5-1106-000	100 - 8	FC5-1382-000	810 - 53	FC5-6008-020	354 - 20
FC5-1108-000	100 - 9	FC5-1383-000	810 - 10	FC5-6010-000	352 - 9
FC5-1109-000	100 - 10	FC5-1384-000	810 - 11	FC5-6011-000	351 - 6
FC5-1111-000	100 - 29	FC5-1413-000	101 - 2	FC5-6012-010	354 - 32
FC5-1113-000	101 - 1	FC5-1420-000	102 - 15	FC5-6014-000	353 - 21
FC5-1114-000	100 - 19	FC5-1422-020	300 - 18	FC5-6019-000	354 - 21
FC5-1115-000	100 - 25	FC5-1422-020	301 - 18	FC5-6540-000	100 - 15
FC5-1117-000	100 - 11	FC5-1423-000	300 - 19	FC5-6899-000	370 - 2

# NUMERICAL INDEX

## iR3245/3235/3230/3225 Series(Numerical Index)

PARTS NUMBER	FIGURE & KEY NO.	PARTS NUMBER	FIGURE & KEY NO.	PARTS NUMBER	FIGURE & KEY NO
FC5-7156-000	810 - 33	FC6-5061-000	353 - 3	FC8-1092-000	103 - 2
FC5-7160-000	810 - 12	FC6-5061-000	354 - 28	FC8-1093-000	100 - 7
FC5-7181-000	102 - 53	FC6-5062-000	102 - 38	FC8-1094-000	100 - 13
FC5-7182-000	810 - 42	FC6-5067-000	100 - 41	FC8-1110-000	621 - 41
FC5-7195-000	102 - 52	FC6-5085-000	810 - 20	FC8-1111-000	621 - 42
FC5-7207-010	810 - 5	FC6-6661-000	310 - 61	FC8-1112-000	621 - 43
FC5-7216-020	300 - 31	FC6-6661-000	311 - 61	FC8-1113-000	621 - 25
FC5-7216-020	301 - 31	FC6-7083-000	310 - 19	FC8-1117-000	621 - 24
FC5-7217-000	315 - 14	FC6-7083-000	311 - 19	FC8-1119-000	101 - 5
FC5-7228-000	810 - 50	FC6-7308-000	104 - 7	FC8-1120-000	106 - 2
FC5-7257-000	261 - 4	FC6-8971-000	A12 - 15	FC8-1126-000	621 - 34
FC5-7260-000	250 - 16	FC6-8973-000	A11 - 5	FC8-1130-000	621 - 29
FC5-7260-000	251 - 16	FC6-8973-000	A41 - 3	FC8-1131-000	103 - 4
FC5-7261-000	250 - 17	FC6-9571-000	130 - 7	FC8-1132-000	100 - 6
FC5-7261-000	251 - 17	FC6-9604-000	115 - 2	FC8-1134-000	100 - 44
FC6-2784-000	A12 - 14	FC6-9606-000	315 - 3	FC8-1140-000	621 - 33
FC6-2899-000	621 - 37	FC6-9607-000	315 - 4	FC8-1144-000	621 - 31
FC6-2902-000	115 - 18	FC6-9613-000	106 - 16	FC8-1157-000	100 - 2
FC6-2915-000	350 - 1	FC6-9625-000	115 - 4	FC8-1164-000	100 - 45
FC6-2915-000	353 - 2	FC6-9867-000	310 - 68	FC8-1165-000	100 - 47
FC6-2915-000	354 - 27	FC6-9867-000	311 - 67	FC8-1166-000	100 - 46
FC6-2918-000	101 - 18	FC7-0242-000	810 - 5	FC8-1178-000	310 - 5
FC6-2920-010	810 - 3	FC7-1740-000	315 - 12	FC8-1178-000	311 - 5
FC6-2924-000	810 - 14	FC7-2178-000	351 - 13	FC8-1179-000	310 - 8
FC6-2925-000	810 - 15	FC7-2385-000	250 - 19	FC8-1179-000	311 - 8
FC6-2927-000	810 - 16	FC7-2385-000	251 - 19	FC8-1201-000	100 - 40
FC6-2928-000	810 - 45	FC7-2665-000	500 - 2	FC8-1202-000	310 - 57
FC6-2929-000	810 - 17	FC7-2667-000	104 - 21	FC8-1202-000	311 - 57
FC6-2937-000	640 - 6	FC7-4155-000	115 - 3	FC8-1205-000	310 - 67
FC6-2941-000	810 - 22	FC7-4467-000	351 - 4	FC8-1205-000	311 - 66
FC6-2943-000	810 - 23	FC7-4740-000	354 - 25	FC8-1206-000	300 - 32
FC6-2993-000	250 - 18	FC7-5845-000	310 - 64	FC8-1206-000	301 - 32
FC6-2993-000	251 - 18	FC7-5845-000	311 - 31	FC8-1250-000	130 - 9
FC6-4009-000	350 - 7	FC7-5875-000	100 - 36	FC8-6163-000	400 - 29
FC6-4012-000	353 - 4	FC7-5878-000	115 - 55	FC8-6167-000	400 - 33
FC6-4012-000	354 - 29	FC7-5906-000	104 - 18	FC8-6169-000	400 - 32
FC6-4015-000	115 - 40	FC7-5907-000	104 - 20	FC8-6170-000	400 - 27
FC6-4015-000	810 - 29	FC7-5910-000	101 - 22	FC8-6171-000	400 - 10
FC6-4026-000	115 - 12	FC7-6968-000	100 - 21	FC8-6175-000	400 - 16
FC6-4391-000	100 - 22	FC7-6969-000	100 - 4	FC8-6176-000	400 - 26
FC6-4513-000	400 - 49	FC7-6970-000	100 - 28	FC8-6177-000	400 - 14
FC6-4624-000	103 - 5	FC7-7394-000	100 - 30	FC8-6178-000	400 - 15
FC6-4627-000	810 - 49	FC7-9358-000	115 - 61	FC8-6180-000	400 - 30
FC6-4824-000	101 - 21	FC7-9370-000	102 - 22	FC8-6183-000	400 - 18
FC6-5046-000	115 - 22	FC7-9481-000	115 - 24	FC8-6185-000	400 - 17
FC6-5050-000	640 - 1	FC7-9522-000	315 - 6	FC8-6187-000	400 - 1
FC6-5051-000	102 - 47	FC8-0959-000	100 - 50	FC8-6188-000	400 - 9
FC6-5052-000	100 - 23	FC8-1053-000	130 - 9	FC8-6189-000	400 - 37
FC6-5053-000	102 - 1	FC8-1054-000	130 - 10	FC8-6196-000	400 - 42
FC6-5055-000	115 - 41	FC8-1055-000	100 - 42	FC8-6197-000	400 - 43
FC6-5055-000	810 - 30	FC8-1057-000	130 - 11	FC8-6198-000	400 - 44
FC6-5059-000	T23 - 3	FC8-1058-000	130 - 12	FC8-6202-000	400 - 34

# NUMERICAL INDEX

## iR3245/3235/3230/3225 Series(Numerical Index)

PARTS NUMBER	FIGURE & KEY NO.	PARTS NUMBER	FIGURE & KEY NO.	PARTS NUMBER	FIGURE & KEY NO
FC8-6311-000	A10 - 4	FC8-6402-000	A11 - 9	FH6-5005-020	250 - 7
FC8-6312-000	A01 - 1	FC8-6402-000	A41 - 23	FH6-5075-021	102 - 7
FC8-6316-000	A11 - 19	FC8-6403-000	A12 - 11	FH7-7557-020	351 - 10
FC8-6317-000	A11 - 20	FC8-6403-000	A41 - 38	FH7-7557-020	352 - 6
FC8-6318-000	A11 - 21	FC8-6404-000	A11 - 8	FH7-7557-020	353 - 12
FC8-6319-000	A11 - 6	FC8-6405-000	A10 - 8	FH7-7557-020	354 - 22
FC8-6322-000	A11 - 7	FC8-6406-000	A21 - 2	FH7-7569-000	400 - 19
FC8-6330-000	A10 - 5	FC8-6407-000	A21 - 3	FH7-7625-030	140 - 3
FC8-6331-000	A11 - 15	FC8-6410-000	A12 - 20	FH7-7626-000	140 - 3
FC8-6332-000	A11 - 16	FC8-6411-000	A41 - 25	FK2-0146-000	140 - 10
FC8-6335-000	A13 - 2	FC8-6412-000	A41 - 28	FK2-0148-000	140 - 11
FC8-6336-000	A13 - 11	FC8-6418-000	A41 - 18	FK2-0149-000	101 - 16
FC8-6337-000	A13 - 3	FC8-6419-000	A11 - 22	FK2-0149-000	115 - 28
FC8-6338-000	A13 - 4	FC8-6420-000	A10 - 9	FK2-0149-000	310 - 30
FC8-6339-000	A13 - 5	FC8-6421-000	A41 - 19	FK2-0149-000	311 - 30
FC8-6340-000	A13 - 6	FC8-6422-000	A11 - 10	FK2-0149-000	621 - 4
FC8-6341-000	A13 - 10	FC8-6423-000	A11 - 11	FK2-0149-000	810 - 18
FC8-6345-000	A12 - 4	FC8-6920-000	100 - 38	FK2-0207-000	A21 - 4
FC8-6346-000	A12 - 5	FC8-6922-000	100 - 38	FK2-0216-000	A10 - 10
FC8-6347-000	A12 - 6	FC8-6926-000	100 - 38	FK2-0329-000	130 - 13
FC8-6348-000	A12 - 7	FC8-6931-000	100 - 38	FK2-0340-000	105 - 1
FC8-6349-000	A12 - 8	FC8-9326-000	T21 - 4	FK2-0341-020	105 - 1
FC8-6350-000	A12 - 9	FC8-9329-000	130 - 24	FK2-0349-000	931 - IC5
FC8-6351-000	A12 - 16	FC8-9747-000	100 - 52	FK2-0358-000	621 - 14
FC8-6352-000	A12 - 17	FC8-9748-000	100 - 52	FK2-0358-000	640 - 7
FC8-6353-000	A12 - 18	FC8-9749-000	100 - 52	FK2-0360-000	115 - 20
FC8-6355-000	A12 - 19	FC8-9752-000	100 - 52	FK2-0360-000	910 - 1
FC8-6368-000	A41 - 4	FC8-9753-000	100 - 52	FK2-0361-000	102 - 7
FC8-6369-000	A41 - 5	FC8-9754-000	100 - 52	FK2-0365-000	281 - 2
FC8-6371-000	A41 - 6	FF6-0345-000	350 - 5	FK2-0379-000	621 - 5
FC8-6372-000	A41 - 7	FF6-2058-000	310 - 26	FK2-0384-000	102 - 27
FC8-6373-000	A41 - 31	FF6-2058-000	311 - 26	FK2-0408-000	310 - 29
FC8-6374-000	A41 - 32	FF6-2059-010	310 - 27	FK2-0408-000	311 - 29
FC8-6375-000	A41 - 33	FF6-2059-010	311 - 27	FK2-0428-000	T23 - 4
FC8-6376-000	A41 - 34	FF6-2064-020	300 - 22	FK2-0979-000	001 - 4
FC8-6377-000	A41 - 8	FF6-2064-020	301 - 22	FK2-1773-000	930 - IC23
FC8-6378-000	A41 - 9	FF6-2397-000	310 - 50	FK2-2070-000	250 - 20
FC8-6379-000	A41 - 10	FF6-2397-000	311 - 50	FK2-2070-000	251 - 20
FC8-6380-000	A41 - 11	FG3-2302-020	310 - 28	FK2-2509-000	140 - 4
FC8-6381-000	A41 - 37	FG3-2302-020	311 - 28	FK2-4825-000	001 - 1
FC8-6382-000	A41 - 12	FG3-3187-000	315 - 1	FK2-4826-000	001 - 1
FC8-6383-000	A41 - 24	FG3-3188-000	115 - 27	FK2-4827-000	001 - 1
FC8-6384-000	A41 - 27	FG3-3294-000	351 - 7	FK2-4828-000	001 - 1
FC8-6385-000	A41 - 13	FG3-3295-000	354 - 7	FK2-4829-000	001 - 1
FC8-6386-000	A41 - 14	FG3-3297-000	351 - 8	FK2-4830-000	001 - 1
FC8-6387-000	A10 - 6	FG3-3299-020	353 - 11	FK2-4831-000	001 - 1
FC8-6388-000	A10 - 7	FG3-3301-000	351 - 9	FK2-4832-000	001 - 1
FC8-6395-000	A41 - 15	FG3-3757-000	A13 - 7	FK2-4833-000	001 - 1
FC8-6396-000	A41 - 16	FH2-6552-000	105 - 17	FK2-4843-000	001 - 1
FC8-6397-000	A41 - 17	FH4-6204-000	994 - IC10	FK2-4903-000	932 - IC15
FC8-6398-000	A41 - 35	FH5-1021-010	352 - 10	FK2-5758-000	932 - IC45
FC8-6399-000	A41 - 30	FH5-1108-010	352 - 11	FK2-5788-000	950 - IC3

# NUMERICAL INDEX

## iR3245/3235/3230/3225 Series(Numerical Index)

PARTS NUMBER	FIGURE & KEY NO.	PARTS NUMBER	FIGURE & KEY NO.	PARTS NUMBER	FIGURE & KEY NO
FK2-5794-000	370 - 1	FL2-0330-000	102 - 48	FL3-0193-000	100 - 38
FK2-6297-000	105 - 2	FL2-0351-000	350 - 3	FL3-0196-000	100 - 38
FK2-6298-000	105 - 2	FL2-0352-000	100 - 39	FL3-0197-000	100 - 38
FK2-6299-000	251 - 2	FL2-0379-000	350 - 8	FL3-0198-000	100 - 38
FK2-6300-000	250 - 2	FL2-1200-000	352 - 23	FL3-0199-000	100 - 38
FK2-6301-000	106 - 1	FL2-1201-040	353 - 13	FL3-0201-000	100 - 38
FK2-6305-000	250 - 8	FL2-1202-000	353 - 14	FL3-0202-000	100 - 38
FK2-6305-000	251 - 7	FL2-1203-010	353 - 15	FL3-0203-000	100 - 38
FK2-6306-000	250 - 1	FL2-1205-010	354 - 37	FL3-0204-000	100 - 38
FK2-6306-000	251 - 1	FL2-1206-010	354 - 8	FL3-0205-000	100 - 38
FK2-6308-000	100 - 16	FL2-1207-020	354 - 23	FL3-0489-000	130 - 17
FK2-6316-000	106 - 12	FL2-1208-030	354 - 13	FL3-1370-000	100 - 38
FK2-6317-000	910 - 2	FL2-1209-030	354 - 24	FL3-2594-000	130 - 8
FK2-6319-000	910 - 3	FL2-1210-020	354 - 43	FL3-2595-000	130 - 8
FK2-6321-000	930 - IC17	FL2-1517-000	102 - 8	FL3-2596-000	130 - 8
FK2-6324-000	105 - 1	FL2-1518-000	102 - 13	FM2-0141-000	300 -
FK2-6326-000	103 - 6	FL2-3265-000	102 - 45	FM2-0142-000	301 -
FK2-6450-000	930 - IC3	FL2-3266-000	261 - 2	FM2-0177-000	350 - 2
FK2-6609-000	931 - IC6	FL2-4399-000	115 - 29	FM2-0242-000	281 -
FK2-6627-000	130 - 14	FL2-4520-000	102 - 37	FM2-0252-000	116 -
FK2-6691-000	900 - 1	FL2-6580-000	310 - 14	FM2-0287-000	640 -
FK2-6692-000	932 - IC51	FL2-6580-000	311 - 14	FM2-0289-000	640 - 11
FK2-6693-000	900 - 2	FL2-8435-000	100 - 34	FM2-0290-000	621 - 7
FK2-6698-000	900 - 3	FL2-8441-000	621 - 27	FM2-0299-000	810 - 35
FK2-6721-000	100 - 48	FL2-9008-000	140 - 8	FM2-0303-000	101 - 4
FK2-6722-000	130 - 16	FL2-9009-000	140 - 9	FM2-0338-000	106 - 7
FK2-6869-000	A41 - 20	FL2-9010-000	140 - 5	FM2-0339-000	106 - 3
FK2-6870-000	A41 - 21	FL2-9838-000	400 - 20	FM2-0355-010	115 - 58
FK2-6871-000	A41 - 39	FL2-9839-000	400 - 20	FM2-0389-000	102 - 14
FK2-6872-000	A10 - 11	FL2-9840-000	400 - 20	FM2-1116-000	130 - 18
FK2-6919-000	400 - 23	FL2-9841-000	400 - 20	FM2-1328-050	352 -
FL2-0106-000	115 - 1	FL2-9842-000	400 - 11	FM2-1331-080	353 -
FL2-0116-010	102 - 21	FL2-9843-000	400 - 21	FM2-1335-160	354 -
FL2-0143-000	115 - 45	FL2-9845-000	400 - 22	FM2-1340-030	354 - 26
FL2-0203-000	101 - 19	FL2-9933-000	A11 - 12	FM2-1578-130	311 -
FL2-0203-000	106 - 15	FL2-9934-000	A11 - 13	FM2-1771-000	281 -
FL2-0245-000	102 - 42	FL2-9935-000	A11 - 14	FM2-1775-020	810 - 35
FL2-0247-000	116 - 11	FL2-9937-000	A41 - 22	FM2-1776-040	810 - 38
FL2-0250-000	116 - 12	FL2-9938-000	A12 - 10	FM2-1777-000	810 - 28
FL2-0251-000	116 - 15	FL2-9939-000	A41 - 36	FM2-2768-000	315 - 8
FL2-0267-000	101 - 3	FL2-9940-000	A12 - 12	FM2-2769-000	810 - 40
FL2-0290-000	640 - 10	FL2-9941-000	A13 - 1	FM2-2770-000	102 - 16
FL2-0295-000	621 - 26	FL2-9942-000	A41 - 43	FM2-2776-000	103 - 7
FL2-0298-000	115 - 59	FL2-9943-000	A13 - 9	FM2-2816-000	281 - 3
FL2-0304-020	640 - 21	FL2-9945-000	A10 - 12	FM2-2838-000	261 - 3
FL2-0307-000	621 - 15	FL2-9946-000	A10 - 13	FM2-2842-000	250 - 3
FL2-0309-000	621 - 6	FL2-9947-000	A10 - 14	FM2-2851-000	102 - 9
FL2-0313-000	621 - 16	FL3-0187-000	100 - 38	FM2-2858-000	102 - 46
FL2-0314-000	102 - 50	FL3-0188-000	100 - 38	FM2-3265-000	350 -
FL2-0315-000	100 - 26	FL3-0189-000	100 - 38	FM2-5540-000	315 -
FL2-0320-000	640 - 22	FL3-0191-000	100 - 38	FM3-0009-000	310 -
FL2-0322-000	500 - 1	FL3-0192-000	100 - 38	FM3-1283-000	115 - 21

# NUMERICAL INDEX

## iR3245/3235/3230/3225 Series(Numerical Index)

PARTS NUMBER	FIGURE & KEY NO.	PARTS NUMBER	FIGURE & KEY NO.	PARTS NUMBER	FIGURE & KEY NO
FM3-1296-000	145 -	FM3-6145-000	910 -	FM3-9216-000	130 - 19
FM3-1297-000	104 - 3	FM3-6153-000	250 -	FM3-9441-000	115 - 54
FM3-1298-000	145 - 3	FM3-6165-000	810 -	FM4-0024-000	400 - 8
FM3-1319-000	994 -	FM3-6166-000	810 - 19	FM4-0074-000	130 - 20
FM3-3772-000	370 - 1	FM3-6338-000	400 - 7	FM4-1245-000	932 -
FM3-3911-000	104 - 19	FM3-6887-000	A41 -	FM4-1246-000	932 -
FM3-4386-000	130 -	FM3-6890-000	A13 -	FM4-1247-000	932 -
FM3-4387-000	251 -	FM3-6891-000	A12 -	FM4-1248-000	932 -
FM3-4389-000	104 - 14	FM3-6892-000	A12 - 13	FS1-9009-020	810 - 27
FM3-4391-000	370 - 4	FM3-6898-000	A41 - 42	FS5-1943-000	310 - 33
FM3-4396-000	621 -	FM3-6914-000	A90 -	FS5-1943-000	311 - 33
FM3-4400-000	140 -	FM3-6915-000	A13 - 13	FS5-1943-000	350 - 9
FM3-4401-000	140 -	FM3-6916-000	A41 - 45	FS5-1943-000	352 - 25
FM3-4403-000	900 - 5	FM3-6929-000	A10 - 17	FS5-1943-000	353 - 22
FM3-4405-000	115 -	FM3-6930-000	A41 - 46	FS5-1943-000	354 - 38
FM3-5041-000	460 -	FM3-6931-000	A41 - 47	FS5-1945-000	810 - 36
FM3-5046-000	370 - 3	FM3-6932-000	A13 - 14	FS5-6448-000	640 - 12
FM3-5047-000	370 - 3	FM3-6933-000	A13 - 16	FS5-6488-000	353 - 23
FM3-5048-000	370 - 3	FM3-6934-000	A41 - 48	FS5-9664-020	104 - 15
FM3-5050-000	105 - 7	FM3-6935-000	A10 - 21	FS6-1063-000	310 - 35
FM3-5051-000	930 -	FM3-6936-000	A10 - 23	FS6-1063-000	311 - 35
FM3-5052-000	930 -	FM3-6954-000	931 -	FS6-2791-000	115 - 35
FM3-5057-000	910 - 5	FM3-6955-000	400 - 12	FS6-8116-000	300 - 23
FM3-5058-000	810 - 43	FM3-6956-000	400 - 5	FS6-8116-000	301 - 23
FM3-5059-000	105 - 10	FM3-6957-000	400 - 4	FS7-2797-000	310 - 36
FM3-5061-000	370 - 6	FM3-7052-000	370 - 5	FS7-2797-000	311 - 36
FM3-5063-000	104 - 24	FM3-7054-000	100 - 35	FS7-2800-000	310 - 38
FM3-5066-000	140 - 2	FM3-7059-000	810 - 38	FS7-2800-000	311 - 38
FM3-5070-000	104 - 24	FM3-7060-000	810 - 28	FS7-2801-000	310 - 39
FM3-5071-000	140 - 7	FM3-7061-000	810 -	FS7-2801-000	311 - 39
FM3-5072-000	102 - 29	FM3-7062-000	810 - 19	FS7-2802-000	310 - 40
FM3-5073-000	104 - 9	FM3-7063-000	810 -	FS7-2802-000	311 - 40
FM3-5074-000	115 - 19	FM3-7064-000	810 -	FS7-2803-000	310 - 41
FM3-5076-000	621 - 35	FM3-7066-000	810 -	FS7-2803-000	311 - 41
FM3-5077-000	250 - 15	FM3-7067-000	810 -	FS7-2805-000	300 - 24
FM3-5077-000	251 - 15	FM3-7068-000	810 - 19	FS7-2805-000	301 - 24
FM3-5080-000	105 - 11	FM3-7069-000	810 - 19	FS7-2859-000	353 - 24
FM3-5082-000	105 - 8	FM3-7070-000	810 - 19	FS7-2859-000	354 - 34
FM3-5083-000	105 - 9	FM3-7071-000	810 - 19	FS7-5909-000	310 - 42
FM3-5085-000	370 - 3	FM3-7129-000	400 - 6	FS7-5909-000	311 - 42
FM3-5086-000	102 - 51	FM3-7130-000	400 - 6	FS7-5910-000	310 - 43
FM3-5101-000	T22 - 2	FM3-7131-000	400 - 45	FS7-5910-000	311 - 43
FM3-5464-000	460 -	FM3-7132-000	400 - 46	FS7-8107-000	900 - 7
FM3-5535-000	130 - 22	FM3-7133-000	400 - 2	FS7-8143-020	900 - 8
FM3-5580-000	T22 - 1	FM3-7134-000	400 - 3	FU3-0280-000	310 - 44
FM3-5586-000	T22 - 5	FM3-7135-000	400 - 6	FU3-0280-000	311 - 44
FM3-5587-000	T22 - 6	FM3-7260-000	140 -	FU3-0282-000	310 - 45
FM3-5617-000	T21 - 1	FM3-7261-000	130 -	FU3-0282-000	311 - 45
FM3-5634-000	900 - 5	FM3-7262-000	130 -	FU3-0283-000	310 - 46
FM3-5743-000	130 - 23	FM3-7390-000	105 - 4	FU3-0283-000	311 - 46
FM3-5744-000	130 - 15	FM3-7391-000	105 - 3	FU3-0284-000	310 - 47
FM3-5745-000	130 - 21	FM3-7395-000	950 -	FU3-0284-000	311 - 47



# NUMERICAL INDEX

## iR3245/3235/3230/3225 Series(Numerical Index)

PARTS NUMBER	FIGURE & KEY NO.	PARTS NUMBER	FIGURE & KEY NO.	PARTS NUMBER	FIGURE & KEY NO
FU3-0285-000	106 - 8	FU5-1035-000	104 - 4	FU5-3178-000	102 - 11
FU3-0288-000	310 - 48	FU5-1035-000	145 - 8	FU5-3180-000	102 - 20
FU3-0288-000	311 - 48	FU5-1168-000	A11 - 23	FU5-3710-000	400 - 31
FU3-0289-000	310 - 49	FU5-1172-000	A12 - 24	FU5-6014-000	115 - 57
FU3-0289-000	311 - 49	FU5-1172-000	A41 - 50	FU5-6643-000	106 - 14
FU3-0293-000	300 - 25	FU5-1173-000	A10 - 15	FU5-8011-000	145 - 11
FU3-0293-000	301 - 25	FU5-1453-000	810 - 55	FU5-8021-000	100 - 54
FU3-0294-000	300 - 26	FU5-1615-000	250 - 4	FU5-8203-000	400 - 48
FU3-0294-000	301 - 26	FU5-1615-000	251 - 4	FU5-8204-000	400 - 48
FU3-0347-000	310 - 53	FU5-1626-000	A12 - 25	FU5-8205-000	400 - 48
FU3-0347-000	311 - 53	FU5-1626-000	A41 - 51	FU5-8206-000	400 - 48
FU3-0349-000	310 - 54	FU5-1737-000	115 - 33	FU5-8207-000	400 - 48
FU3-0349-000	311 - 54	FU5-1760-000	115 - 56	FU5-8208-000	400 - 48
FU3-0350-000	310 - 55	FU5-1763-000	310 - 34	FU5-8209-000	400 - 48
FU3-0350-000	311 - 55	FU5-1763-000	311 - 34	FU5-8210-000	400 - 48
FU5-0006-000	115 - 48	FU5-2032-000	300 - 27	FU5-8211-000	400 - 48
FU5-0007-000	106 - 13	FU5-2033-000	301 - 27	FU5-8329-000	100 - 54
FU5-0054-000	352 - 12	FU5-2034-000	115 - 37	FU5-8795-000	315 - 2
FU5-0062-000	315 - 10	FU5-2035-000	102 - 43	FU5-8802-000	100 - 53
FU5-0063-000	315 - 9	FU5-2037-000	116 - 16	FU5-8803-000	100 - 53
FU5-0076-000	353 - 25	FU5-2038-000	104 - 10	FU5-8853-000	400 - 38
FU5-0077-000	352 - 13	FU5-2044-000	116 - 17	FU5-8854-000	400 - 38
FU5-0078-000	352 - 14	FU5-2045-000	116 - 18	FU5-9139-000	A01 - 2
FU5-0087-000	250 - 9	FU5-2063-000	115 - 50	FU5-9140-000	A01 - 3
FU5-0087-000	251 - 8	FU5-2064-000	101 - 12	FU6-0019-000	281 - 4
FU5-0095-000	281 - 4	FU5-2066-000	104 - 13	FU6-0020-000	281 - 8
FU5-0096-000	281 - 5	FU5-2067-000	115 - 47	FU6-0021-000	810 - 48
FU5-0097-000	281 - 6	FU5-2068-030	350 - 11	FU6-0022-000	810 - 46
FU5-0098-000	250 - 10	FU5-2073-000	810 - 34	FU6-0023-000	810 - 24
FU5-0098-000	251 - 9	FU5-2074-000	350 - 12	FU6-0024-000	261 - 5
FU5-0101-000	281 - 7	FU5-2076-000	116 - 19	FU6-0029-000	250 - 21
FU5-0108-000	621 - 18	FU5-2079-000	250 - 11	FU6-0029-000	261 - 6
FU5-0109-000	621 - 19	FU5-2079-000	251 - 10	FU6-0036-000	250 - 22
FU5-0110-000	640 - 13	FU5-2089-000	621 - 21	FU6-0036-000	251 - 12
FU5-0111-000	640 - 14	FU5-2090-000	103 - 8	FU6-0040-000	102 - 12
FU5-0112-000	640 - 15	FU5-2096-000	101 - 15	FU6-0041-000	250 - 23
FU5-0113-000	640 - 16	FU5-2097-000	300 - 28	FU6-0041-000	251 - 21
FU5-0114-000	640 - 17	FU5-2097-000	301 - 28	FU6-0054-000	250 - 24
FU5-0115-000	621 - 20	FU5-2102-000	810 - 37	FU6-0054-000	251 - 11
FU5-0126-000	281 - 8	FU5-2104-000	300 - 29	FU6-0710-000	310 - 56
FU5-0127-000	810 - 48	FU5-2104-000	301 - 29	FU6-0710-000	311 - 56
FU5-0128-000	350 - 10	FU5-2611-000	116 - 20	FU6-1088-000	A41 - 52
FU5-0129-000	810 - 46	FU5-2652-000	102 - 10	FU6-1089-000	A41 - 53
FU5-1006-000	115 - 49	FU5-2653-000	104 - 11	FU6-2009-000	102 - 28
FU5-1026-000	640 - 18	FU5-3016-000	115 - 51	FU6-2011-000	103 - 9
FU5-1028-000	102 - 36	FU5-3018-000	354 - 39	FU6-2012-000	621 - 38
FU5-1029-000	102 - 35	FU5-3019-000	353 - 26	FU6-2016-000	101 - 14
FU5-1030-000	103 - 12	FU5-3020-000	352 - 15	FU6-2020-000	116 - 21
FU5-1031-000	640 - 19	FU5-3020-000	353 - 27	FU6-2020-000	810 - 47
FU5-1033-000	310 - 32	FU5-3021-000	352 - 26	FU6-2022-000	115 - 34
FU5-1033-000	311 - 32	FU5-3021-000	354 - 40	FU6-2684-000	310 - 37
FU5-1034-000	621 - 17	FU5-3022-000	352 - 16	FU6-2684-000	311 - 37

# NUMERICAL INDEX

## iR3245/3235/3230/3225 Series(Numerical Index)

PARTS NUMBER	FIGURE & KEY NO.	PARTS NUMBER	FIGURE & KEY NO.	PARTS NUMBER	FIGURE & KEY NO
FU6-2784-000	310 - 63	FU8-0312-000	A41 - 62	VS1-7177-003	910 - 4
FU6-2784-000	311 - 63	FU8-0313-000	A41 - 63	VS1-7177-003	A13 - 15
FU6-2924-000	104 - 5	FU8-0314-000	A41 - 64	VS1-7177-003	T22 - 4
FU6-2924-000	145 - 9	FU8-0315-000	A41 - 65	VS1-7177-004	105 - 13
FU6-2974-000	145 - 10	FU8-0316-000	A41 - 66	VS1-7177-004	261 - 9
FU6-8726-000	400 - 25	FU8-0317-000	A41 - 67	VS1-7177-004	A10 - 24
FU6-8727-000	400 - 25	FU8-0318-000	A41 - 68	VS1-7177-004	A21 - 8
FU6-8728-000	400 - 25	FU8-0319-000	A21 - 6	VS1-7177-005	107 - 2
FU6-8729-000	400 - 25	FU8-0320-000	A21 - 7	VS1-7177-006	102 - 33
FU6-8730-000	400 - 28	HH2-2824-000	T21 - 5	VS1-7177-006	621 - 39
FU6-8731-000	400 - 28	NPN	001 -	VS1-7177-006	640 - 24
FU6-8732-000	400 - 28	NPN	100 -	VS1-7177-008	105 - 14
FU6-8733-000	400 - 28	NPN	101 -	VS1-7177-009	107 - 3
FU6-8741-000	A13 - 12	NPN	102 -	VS1-7177-010	107 - 4
FU6-8744-000	A10 - 19	NPN	103 -	VS1-7177-012	105 - 15
FU6-8745-000	A10 - 19	NPN	104 -	VS1-7177-012	810 - 44
FU6-8746-000	A10 - 18	NPN	105 -	VS1-7207-003	250 - 12
FU6-8747-000	A10 - 18	NPN	106 -	VS1-7207-003	251 - 3
FU6-8748-000	A10 - 18	NPN	107 -	VS1-7507-005	107 - 5
FU6-8749-000	A10 - 18	NPN	261 -	VS1-7507-007	105 - 16
FU7-0342-000	115 - 36	NPN	351 -	VS1-8412-003	107 - 8
FU7-0445-000	310 - 52	NPN	370 -	VS1-8412-003	140 - 6
FU7-0445-000	311 - 52	NPN	400 -	VS1-8412-013	102 - 30
FU7-0848-000	310 - 51	NPN	500 -	VS1-8412-015	107 - 9
FU7-0848-000	311 - 51	NPN	900 -	VS1-8412-027	107 - 6
FU7-2256-000	621 - 40	NPN	A01 -	VT2-5198-016	T21 - 2
FU7-2596-000	400 - 35	NPN	A10 -	WA7-5211-000	900 - 6
FU7-2597-000	400 - 36	NPN	A11 -	WE8-5600-000	400 - 47
FU7-2651-000	A10 - 16	NPN	A21 -	WE8-5689-000	001 - 3
FU7-2652-000	A11 - 24	NPN	T21 -	WG8-5696-000	A13 - 8
FU7-2653-000	A11 - 17	NPN	T22 -	WG8-5696-000	A21 - 9
FU7-2654-000	A12 - 26	NPN	T23 -	WG8-5696-000	A41 - 41
FU7-2655-000	A12 - 27	RB1-8945-000	310 - 58	WG8-5776-000	400 - 24
FU7-2656-000	A12 - 28	RB1-8945-000	311 - 58	WG8-5783-000	102 - 44
FU7-2657-000	A41 - 44	RS1-1087-000	810 - 25	WG8-5783-000	115 - 62
FU7-2658-000	A41 - 54	RS5-1446-000	810 - 41	WG8-5783-000	281 - 1
FU7-2659-000	A41 - 55	RS5-1567-000	310 - 59	WP2-5264-000	101 - 6
FU7-2660-000	A41 - 56	RS5-1567-000	311 - 59	WT2-0255-000	A10 - 1
FU8-0298-000	A13 - 17	VS1-7173-010	281 - 10	WT2-5694-000	A11 - 18
FU8-0299-000	A12 - 21	VS1-7173-014	310 - 66	WT8-5099-000	105 - 18
FU8-0300-000	A12 - 22	VS1-7173-014	311 - 65	X71-9310-000	640 - 20
FU8-0301-000	A12 - 23	VS1-7177-002	105 - 12	XA9-0265-010	105 - 5
FU8-0302-000	A12 - 29	VS1-7177-002	107 - 7	XA9-0465-000	900 - 4
FU8-0303-000	A41 - 57	VS1-7177-002	310 - 65	XA9-0656-000	310 - 60
FU8-0304-000	A41 - 26	VS1-7177-002	311 - 64	XA9-0656-000	311 - 60
FU8-0305-000	A41 - 58	VS1-7177-002	621 - 44	XA9-0702-000	810 - 31
FU8-0306-000	A41 - 40	VS1-7177-002	A10 - 22	XA9-0732-000	A10 - 20
FU8-0307-000	A41 - 29	VS1-7177-002	A41 - 49	XA9-0732-000	A21 - 10
FU8-0308-000	A41 - 59	VS1-7177-002	T22 - 3	XA9-0813-000	100 - 49
FU8-0309-000	A41 - 60	VS1-7177-003	107 - 1	XA9-0894-010	115 - 39
FU8-0310-000	A41 - 61	VS1-7177-003	115 - 8	XA9-1164-000	104 - 23
FU8-0311-000	A21 - 5	VS1-7177-003	621 - 45	XA9-1164-000	250 - 5

# NUMERICAL INDEX

## iR3245/3235/3230/3225 Series(Numerical Index)

PARTS NUMBER	FIGURE & KEY NO.	PARTS NUMBER	FIGURE & KEY NO.	PARTS NUMBER	FIGURE & KEY NO
XA9-1164-000	251 - 5	XB1-3301-207	300 - 505	XB6-7300-607	370 - 501
XA9-1164-000	281 - 9	XB1-3301-207	301 - 505	XB6-7300-607	640 - 502
XA9-1164-000	A41 - 69	XB2-6300-607	370 - 503	XB6-7300-607	900 - 501
XA9-1386-000	100 - 33	XB2-8300-607	300 - 501	XB6-7300-607	910 - 502
XA9-1386-000	101 - 13	XB2-8300-607	301 - 501	XB6-7300-607	T21 - 501
XA9-1386-000	102 - 6	XB3-6300-605	310 - 503	XB6-7300-607	T22 - 501
XA9-1386-000	103 - 3	XB3-6300-605	311 - 503	XB6-7300-609	281 - 501
XA9-1386-000	104 - 12	XB3-6400-805	102 - 507	XB6-7300-807	300 - 503
XA9-1386-000	105 - 6	XB4-5300-607	621 - 501	XB6-7300-807	301 - 503
XA9-1386-000	106 - 11	XB4-5300-607	640 - 501	XB7-2300-405	A10 - 502
XA9-1386-000	115 - 52	XB4-5300-607	810 - 502	XD1-1104-135	300 - 504
XA9-1386-000	310 - 31	XB4-5300-805	351 - 502	XD1-1104-135	301 - 504
XA9-1386-000	351 - 11	XB4-5300-805	354 - 501	XD1-1104-634	640 - 503
XA9-1386-000	352 - 17	XB4-5300-807	103 - 502	XD1-1106-215	640 - 505
XA9-1386-000	354 - 41	XB4-5300-807	300 - 502	XD1-1106-219	116 - 502
XA9-1386-000	370 - 7	XB4-5300-807	301 - 502	XD1-1108-215	102 - 502
XA9-1386-000	621 - 22	XB4-5300-807	621 - 503	XD1-1108-215	640 - 508
XA9-1386-000	T21 - 3	XB4-5301-005	A10 - 506	XD1-4200-402	140 - 504
XA9-1386-000	T23 - 5	XB4-5301-005	A11 - 503	XD1-4200-502	140 - 506
XA9-1415-000	400 - 41	XB4-5301-005	A12 - 501	XD2-1100-322	A41 - 505
XA9-1468-000	102 - 5	XB4-5301-005	A13 - 501	XD2-1100-402	102 - 501
XA9-1668-000	102 - 31	XB4-5301-005	A41 - 503	XD2-1100-402	A10 - 503
XB1-1300-607	400 - 502	XB4-5301-007	130 - 501	XD2-1100-402	A11 - 501
XB1-2300-309	A21 - 501	XB4-5400-805	351 - 503	XD2-1100-402	A12 - 502
XB1-2300-309	A41 - 504	XB4-5400-807	100 - 501	XD2-1100-402	A21 - 502
XB1-2300-405	351 - 501	XB4-5400-807	101 - 502	XD2-1100-402	A41 - 501
XB1-2300-405	353 - 501	XB4-5400-807	102 - 505	XD2-1100-422	115 - 502
XB1-2300-405	354 - 502	XB4-5400-807	145 - 501	XD2-1100-502	100 - 503
XB1-2300-407	103 - 501	XB4-5400-807	250 - 501	XD2-1100-502	621 - 504
XB1-2300-409	810 - 501	XB4-5400-807	251 - 501	XD2-1100-642	102 - 504
XB1-2300-607	101 - 501	XB4-5400-807	310 - 504	XD2-1100-642	115 - 505
XB1-2300-607	104 - 501	XB4-5400-807	311 - 504	XD2-1100-642	A41 - 506
XB1-2300-607	106 - 501	XB4-5400-807	350 - 501	XD2-2100-602	810 - 503
XB1-2300-607	145 - 503	XB4-5400-807	351 - 504	XD2-2100-802	640 - 507
XB1-2300-607	900 - 502	XB4-5401-007	115 - 501	XD3-1200-102	102 - 506
XB1-2300-807	310 - 501	XB4-5401-007	116 - 501	XD3-2160-162	115 - 504
XB1-2300-807	311 - 501	XB4-5401-007	315 - 501	XD3-2200-102	115 - 503
XB1-2301-407	102 - 503	XB4-5401-205	352 - 502	XD3-2200-102	A12 - 503
XB1-2302-007	106 - 503	XB4-5401-205	353 - 502	XD3-2200-122	261 - 503
XB1-2400-603	140 - 501	XB4-5401-205	354 - 503	XD3-2200-122	310 - 507
XB1-2400-607	310 - 506	XB4-5401-205	A10 - 507	XD3-2200-122	311 - 507
XB1-2400-607	311 - 506	XB4-5401-205	A11 - 504	XD3-2200-122	352 - 501
XB1-2400-607	370 - 502	XB4-5401-207	310 - 505	XD3-2200-122	354 - 504
XB1-2400-609	A10 - 504	XB4-5401-207	311 - 505	XD3-2200-122	A11 - 502
XB1-2400-807	100 - 502	XB4-7300-607	104 - 502	XD3-2200-122	A41 - 502
XB1-2401-406	A10 - 501	XB4-7300-807	145 - 502	XD3-2200-142	640 - 506
XB1-2402-007	140 - 502	XB6-7300-606	400 - 501	XD3-2200-162	350 - 502
XB1-2403-006	900 - 503	XB6-7300-607	105 - 501	XD3-2200-162	621 - 505
XB1-2403-007	910 - 501	XB6-7300-607	106 - 502	XD3-2200-182	261 - 502
XB1-2500-603	140 - 505	XB6-7300-607	130 - 502	XD3-2300-142	621 - 502
XB1-3300-607	310 - 502	XB6-7300-607	140 - 503	XD9-0134-000	810 - 58
XB1-3300-607	311 - 502	XB6-7300-607	261 - 501	XD9-0136-000	102 - 32

# NUMERICAL INDEX

## iR3245/3235/3230/3225 Series(Numerical Index)

PARTS NUMBER	FIGURE & KEY NO.	PARTS NUMBER	FIGURE & KEY NO.	PARTS NUMBER	FIGURE & KEY NO.
XD9-0136-000	250 - 13				
XD9-0136-000	251 - 13				
XD9-0136-000	281 - 12				
XD9-0136-000	310 - 62				
XD9-0136-000	311 - 62				
XD9-0136-000	350 - 13				
XD9-0136-000	351 - 12				
XD9-0136-000	352 - 27				
XD9-0136-000	353 - 30				
XD9-0136-000	354 - 33				
XD9-0136-000	640 - 23				
XD9-0136-000	810 - 59				
XD9-0137-010	250 - 14				
XD9-0137-010	251 - 14				
XD9-0137-010	261 - 7				
XD9-0137-010	281 - 13				
XD9-0137-010	621 - 36				
XD9-0137-010	810 - 60				
XF2-1605-760	261 - 8				
XF2-1607-640	A21 - 11				
XF2-1607-640	A41 - 507				
XF2-1607-840	106 - 9				
XF2-1608-860	102 - 19				
XF2-1609-040	106 - 10				
XF2-4104-040	281 - 11				
XF2-4104-240	352 - 18				
XF2-4107-940	353 - 28				
XF2-4108-240	352 - 19				
XF2-4109-240	354 - 42				
XF2-4112-240	115 - 53				
XF2-4606-740	400 - 40				
XF2-4668-040	400 - 39				
XG9-0111-000	621 - 23				
XG9-0387-000	810 - 56				
XG9-0491-000	640 - 5				
XG9-0507-000	A41 - 508				
XG9-0520-000	353 - 29				
XG9-0521-000	640 - 504				
XH9-0125-000	102 - 4				
XZ9-0603-000	100 - 27				

# iR3245/3235/3230/3225 Catalog)

## Series(Parts

### iR3245F

<b>100V</b>	<b>F15-2013-000</b>	<b>DHH</b>	ADF/FAX model
-------------	---------------------	------------	---------------

### iR3245N

<b>230V EUR</b>	<b>F15-2094-000</b>	<b>DHM</b>	ADF model
-----------------	---------------------	------------	-----------

### iR3245

<b>100V</b>	<b>F15-2011-000</b>	<b>DHA</b>	
<b>230V</b>	<b>F15-2041-000</b>	<b>DHN</b>	
<b>230V AU</b>	<b>F15-2061-000</b>	<b>DHP</b>	ADF model
<b>230V EUR</b>	<b>F15-2091-000</b>	<b>DHL</b>	

### imageRUNNER3245i

<b>120V</b>	<b>F15-2035-000</b>	<b>DHK</b>	ADF model
-------------	---------------------	------------	-----------

### imageRUNNER3245

<b>120V</b>	<b>F15-2031-000</b>	<b>DHJ</b>	ADF model
<b>120V</b>	<b>F15-2032-000</b>	<b>DQA</b>	GOVERNMENT/ADF model

### iR3235F

<b>100V</b>	<b>F15-2113-000</b>	<b>DFV</b>	ADF/FAX model
-------------	---------------------	------------	---------------

## iR3235i

<b>120V</b>	<b>F15-2135-000</b>	<b>DGA</b>	ADF model
-------------	---------------------	------------	-----------

## iR3235N

<b>230V EUR</b>	<b>F15-2194-000</b>	<b>DGJ</b>	ADF model
-----------------	---------------------	------------	-----------

## iR3235

<b>100V</b>	<b>F15-2111-000</b>	<b>DFU</b>	
<b>230V</b>	<b>F15-2141-000</b>	<b>DGR</b>	
<b>230V AU</b>	<b>F15-2161-000</b>	<b>DGY</b>	ADF model
<b>230V EUR</b>	<b>F15-2191-000</b>	<b>DGH</b>	

## imageRUNNER3235

<b>120V</b>	<b>F15-2131-000</b>	<b>DFW</b>	ADF model
<b>120V</b>	<b>F15-2132-000</b>	<b>DPZ</b>	GOVERNMENT/ADF model

## iR3230

<b>230V</b>	<b>F15-2241-000</b>	<b>DFS</b>	
<b>230V AU</b>	<b>F15-2261-000</b>	<b>DFT</b>	

## imageRUNNER3230

<b>120V</b>	<b>F15-2231-000</b>	<b>DFR</b>	
<b>120V</b>	<b>F15-2232-000</b>	<b>DPY</b>	GOVERNMENT/ADF model

## iR3225F

<b>100V</b>	<b>F15-2313-000</b>	<b>DFF</b>	ADF/FAX model
-------------	---------------------	------------	---------------

## iR3225N

<b>230V EUR</b>	<b>F15-2394-000</b>	<b>DFK</b>	<b>ADF model</b>
-----------------	---------------------	------------	------------------

## iR3225

<b>100V</b>	<b>F15-2311-000</b>	<b>DFE</b>
-------------	---------------------	------------

<b>230V</b>	<b>F15-2341-000</b>	<b>DFL</b>
-------------	---------------------	------------

<b>230V AU</b>	<b>F15-2361-000</b>	<b>DFQ</b>
----------------	---------------------	------------

<b>230V EUR</b>	<b>F15-2391-000</b>	<b>DFJ</b>
-----------------	---------------------	------------

## imageRUNNER3225

<b>120V</b>	<b>F15-2331-000</b>	<b>DFH</b>
-------------	---------------------	------------

<b>120V</b>	<b>F15-2332-000</b>	<b>DPW</b>	<b>GOVERNMENT/ADF model</b>
-------------	---------------------	------------	-----------------------------



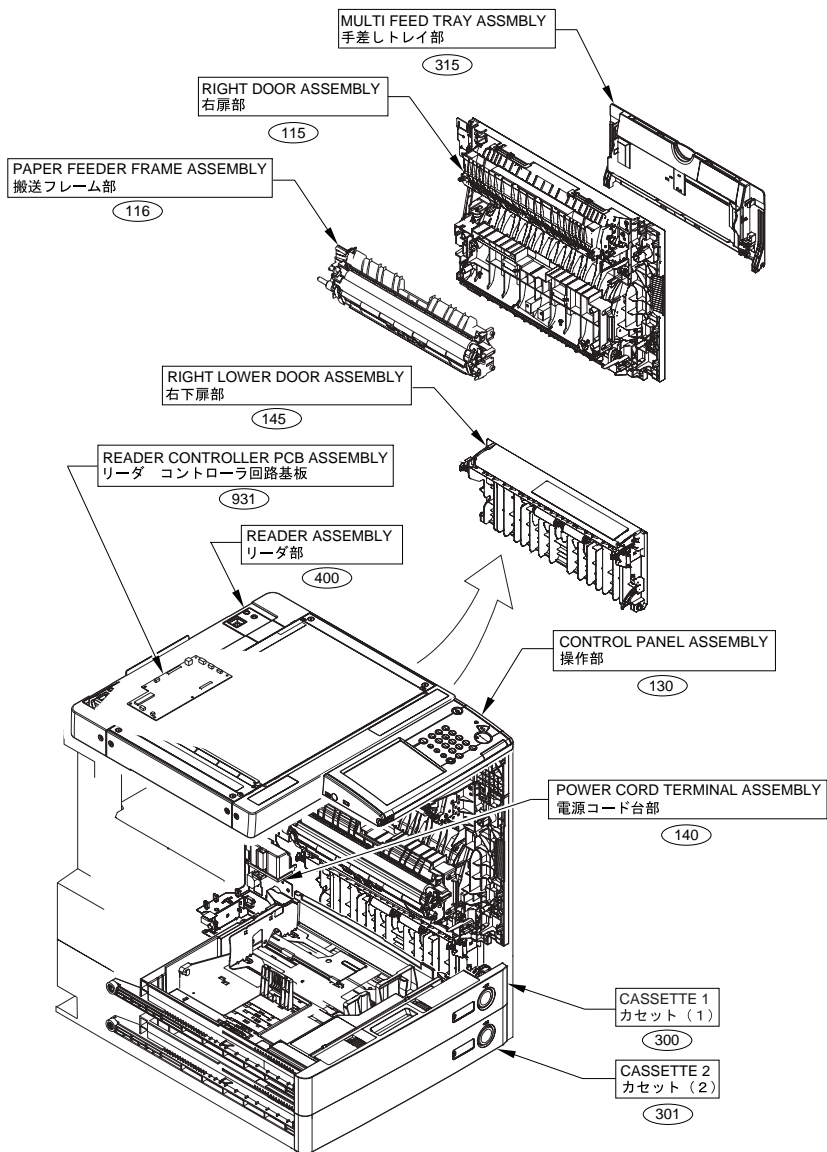


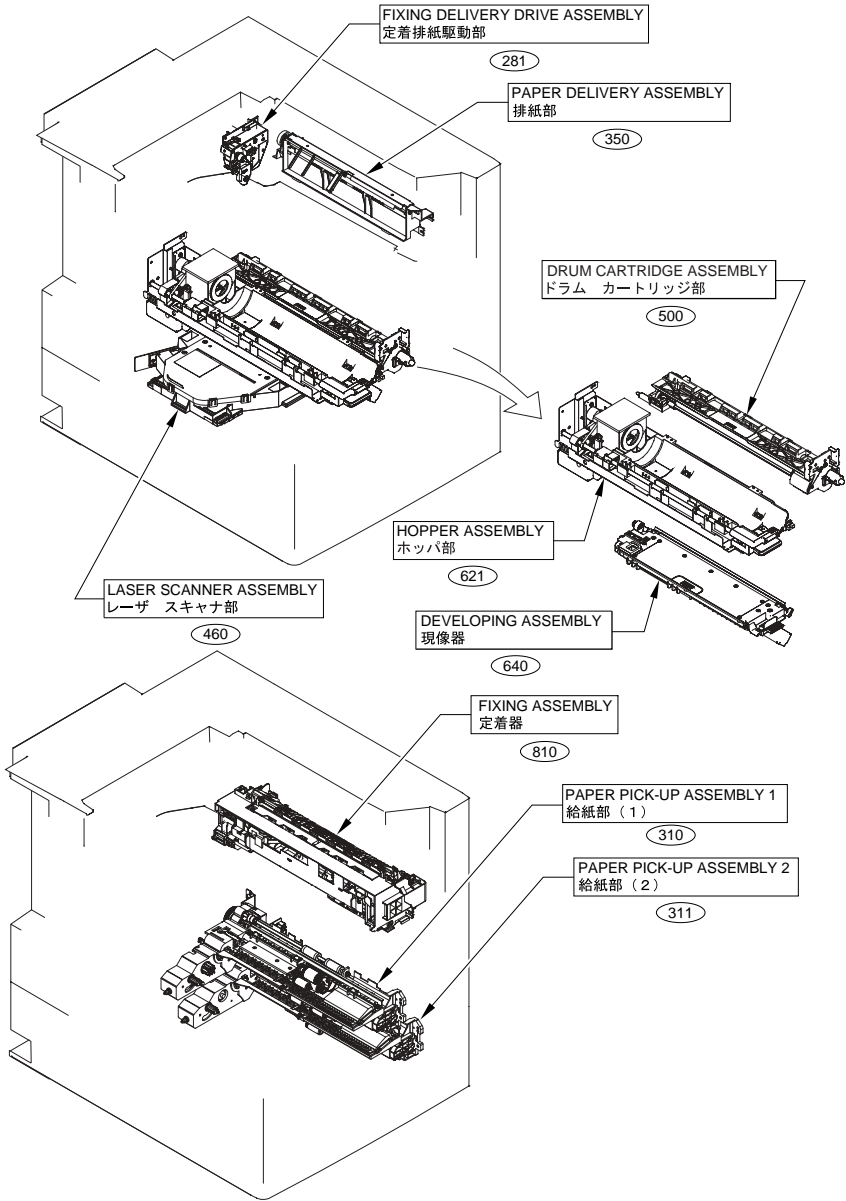
# Contents

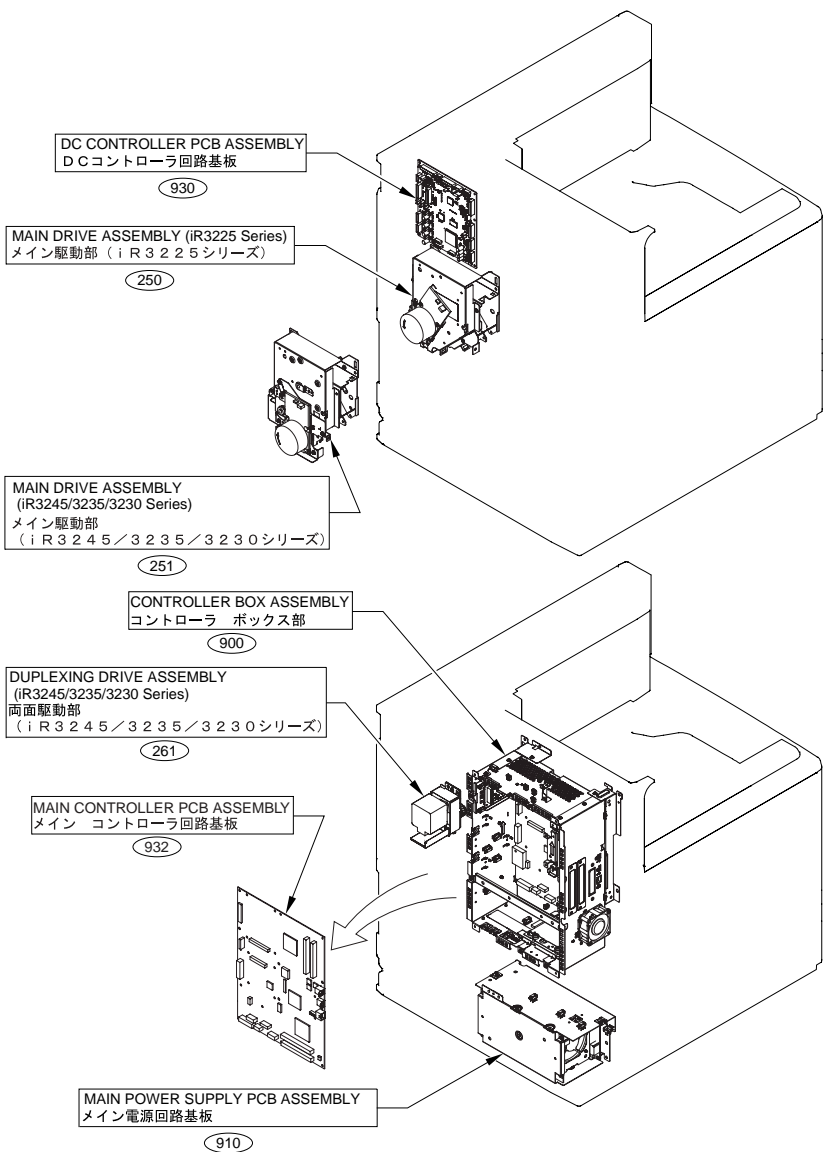
A1	ASSEMBLY LOCATION DIAGRAM .....	2-1
A2	OPTION PARTS CATALOG LIST .....	2-7
001	ACCESSORIES .....	2-8
100	EXTERNAL COVERS, PANELS, ETC. ....	2-10
101	MACHINE FRONT PLATE .....	2-15
102	INTERNAL COMPONENTS 1 .....	2-17
103	INTERNAL COMPONENTS 2 .....	2-20
104	INTERNAL COMPONENTS 3 .....	2-22
105	MACHINE REAR PLATE 1 .....	2-24
106	MACHINE REAR PLATE 2 .....	2-26
107	MACHINE REAR PLATE 3 .....	2-28
115	RIGHT DOOR ASSEMBLY .....	2-30
116	PAPER FEEDER FRAME ASSEMBLY .....	2-35
130	CONTROL PANEL ASSEMBLY .....	2-37
140	POWER CORD TERMINAL ASSEMBLY .....	2-39
145	RIGHT LOWER DOOR ASSEMBLY .....	2-41
250	MAIN DRIVE ASSEMBLY (iR3225 Series).....	2-43
251	MAIN DRIVE ASSEMBLY (iR3245/3235/3230 Series).....	2-45
261	DUPLEXING DRIVE ASSEMBLY (iR3245/3235/3230 Series).....	2-47
281	FIXING DELIVERY DRIVE ASSEMBLY .....	2-49
300	CASSETTE 1 .....	2-51
301	CASSETTE 2 .....	2-54
310	PAPER PICK-UP ASSEMBLY 1 .....	2-57
311	PAPER PICK-UP ASSEMBLY 2 .....	2-61
315	MULTI FEED TRAY ASSEMBLY .....	2-65
350	PAPER DELIVERY ASSEMBLY .....	2-67
351	2ND/3RD DELIVERY ASSEMBLY .....	2-69
352	2ND UPPER DELIVERY ASSEMBLY .....	2-71
353	2ND DELIVERY FRAME ASSEMBLY .....	2-73
354	3RD DELIVERY FRAME ASSEMBLY .....	2-76
370	CASSETTE HEATER ASSEMBLY .....	2-79
400	READER ASSEMBLY .....	2-81
460	LASER SCANNER ASSEMBLY .....	2-86
500	DRUM CARTRIDGE ASSEMBLY .....	2-87
621	HOPPER ASSEMBLY .....	2-88
640	DEVELOPING ASSEMBLY .....	2-91
810	FIXING ASSEMBLY .....	2-94
900	CONTROLLER BOX ASSEMBLY .....	2-99
910	MAIN POWER SUPPLY PCB ASSEMBLY .....	2-101
930	DC CONTROLLER PCB ASSEMBLY .....	2-102
931	READER CONTROLLER PCB ASSEMBLY .....	2-103
932	MAIN CONTROLLER PCB ASSEMBLY .....	2-104
950	IMAGE PCB ASSEMBLY .....	2-105
994	RELAY DELIVERY CONT. PCB ASS'Y .....	2-106
A01	DADF MOUNTING HARDWARE (ADF model) .....	2-107

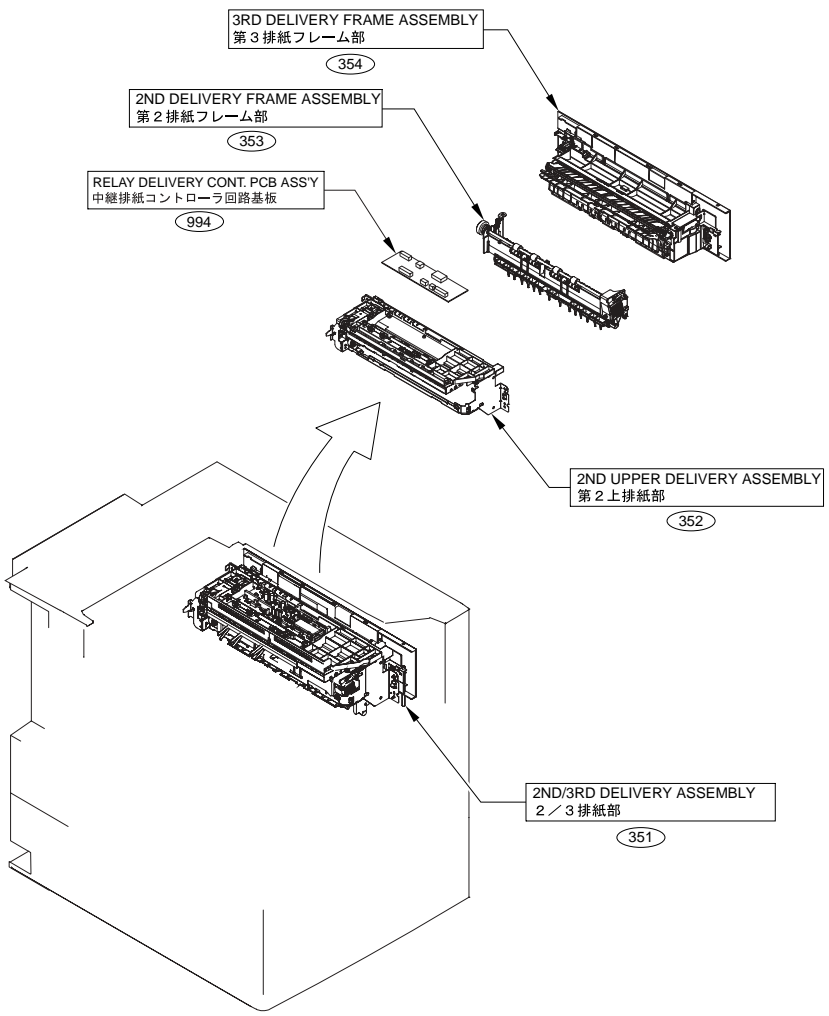
A10	INTERNAL COMPONENTS (ADF model) .....	2-109
A11	BASE ASSEMBLY (ADF model).....	2-112
A12	PAPER PICK-UP COVER ASSEMBLY (ADF model).....	2-114
A13	DOCUMENT TRAY ASSEMBLY (ADF model) .....	2-117
A21	DRIVE ASSEMBLY (ADF model) .....	2-119
A41	FEEDER ASSEMBLY (ADF model).....	2-121
A90	ADF CONTROLLER PCB ASSEMBLY (ADF model) .....	2-126
T21	ATTACHMENT PARTS (FAX model) .....	2-127
T22	FAX ASSEMBLY (FAX model) .....	2-128
T23	SPEAKER ASSEMBLY (FAX model) .....	2-130

# FIGURE A1 ASSEMBLY LOCATION DIAGRAM

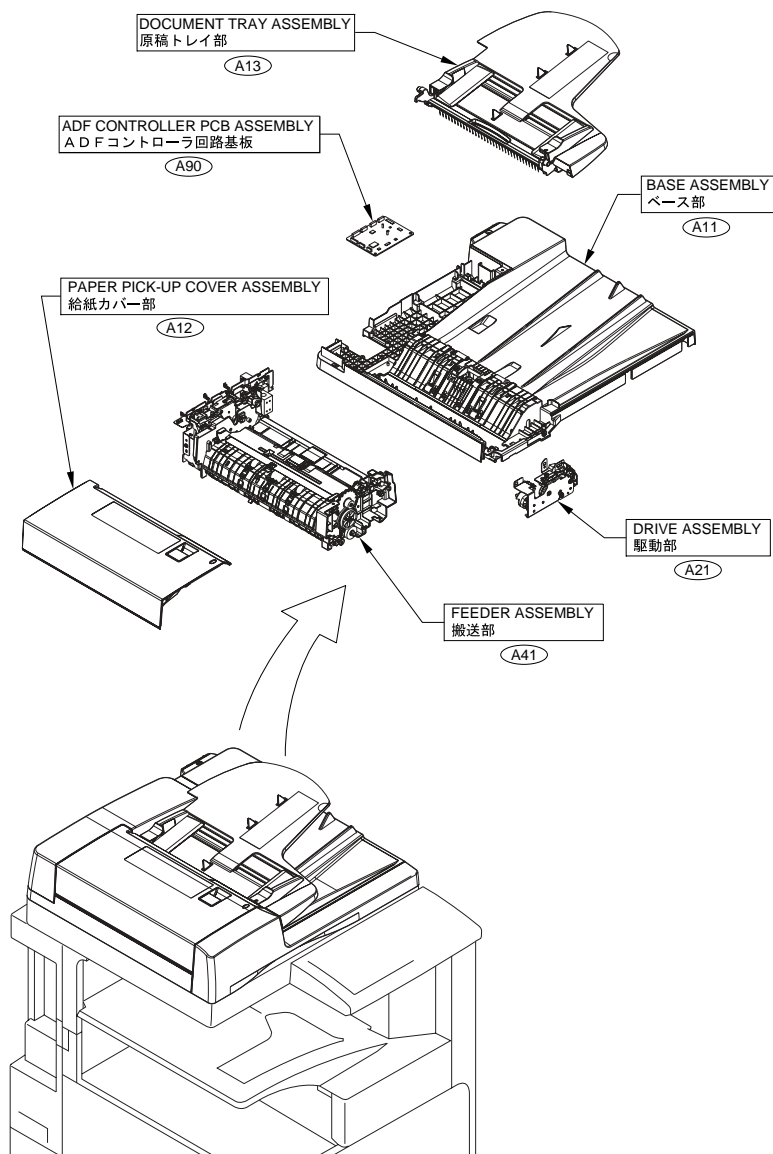




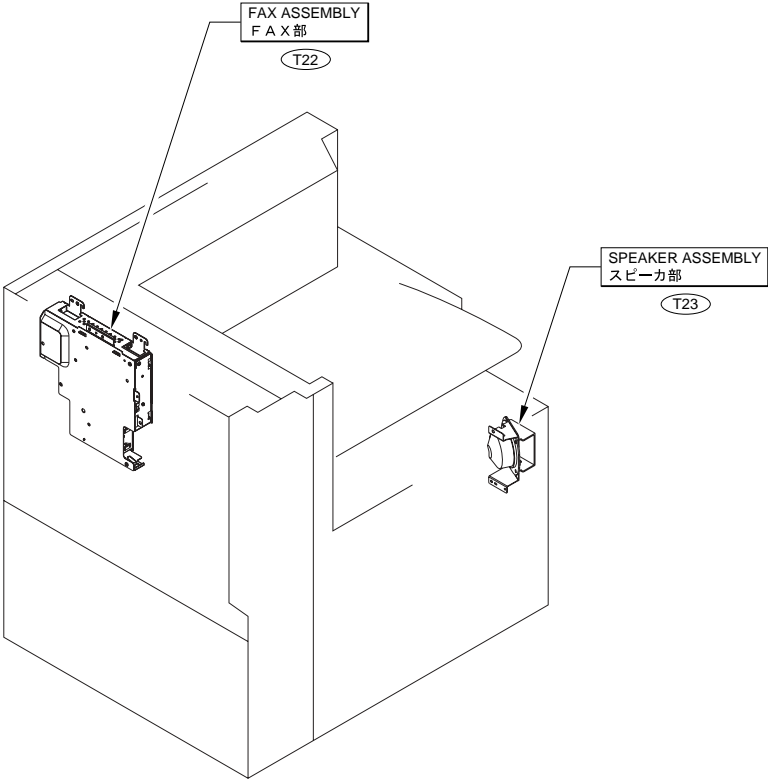




ADF model



FAX model





# FIGURE A2

## OPTION PARTS CATALOG LIST

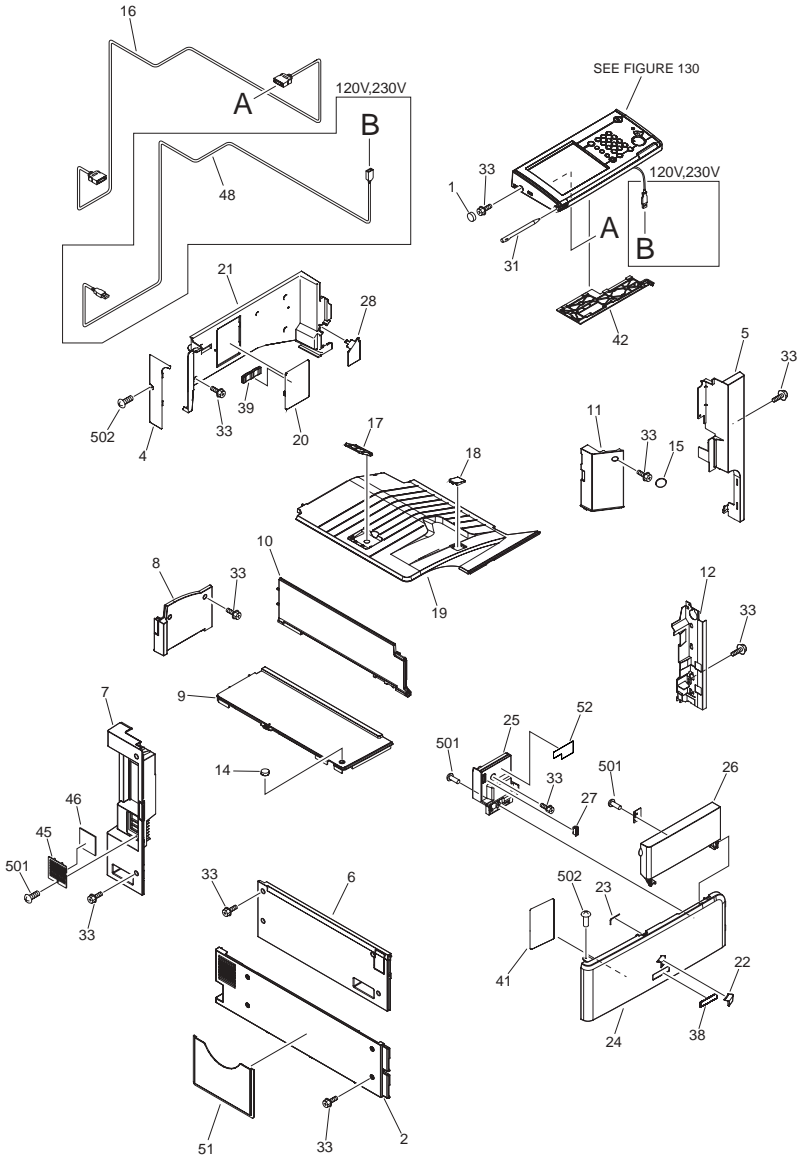
This is the table of the machine's options whose parts catalog is issued.  
 本機のオプションで、パーツカタログが発行されている機種の一覧である。

No.	Model Name(English)	Model Name(Japanese)
1	DADF-U1	DADF-U1
2	ADF Access Handle-A1	ADFアクセスハンドル・A1
3	Platen Cover Type M	原稿台カバータイプM
4	3 Way Unit-A1/A2	拡張排紙キット・A1/A2
5	INNER 2 WAY TRAY-D1	INNER 2 WAY TRAY-D1
6	Copy Tray-J1	コピートレイ・J1
7	Document Tray-J1	原稿置き台・J1
8	Finisher-S1	フィニッシャー・S1
9	ADDITIONAL FINISHER TRAY-B1	フィニッシャー用追加トレイ・B1
10	Puncher Unit-Q1/R1/S1/T1	パンチャーユニット・Q1/R1/S1/T1
11	Finisher-AE1/ Ssddle Finisher-AE2	フィニッシャー・AE1/ サドルフィニッシャー・AE2
12	Finisher-Q1/Q3/R1 Saddle Finisher-Q2/Q4/R2	フィニッシャー・Q1/Q3/R1 サドルフィニッシャー・Q2/Q4/R2
13	BUFFER PASS UNIT-E1/E2	BUFFER PASS UNIT-E1/E2
14	Puncher Unit- L1/M1/N1/P1/AG1/AH1/AJ1/AK1	パンチャーユニット・ L1/M1/N1/P1/AG1/AH1/AJ1/AK1
15	Paper Deck-Q1	サイドペーパーデッキ・Q1
16	Cassette Feeding Unit-Y1/Y2/Y3/Y3H	2段カセットペディスタル・ Y1/Y2/Y3/Y3H
17	FL Cassette-Y1/Z1	FLカセット・Y1/Z1
18	POWER SUPPLY UNIT-T1	オプション電源・T1
19	Expansion Bus-E1	PCIバス拡張キット・E1
20	Super G3 FAX Board-AC1	スーパーG3FAXボード・AC1
22	CARD READER-C1_D1 Rev.00-00	カードリーダー-C1_D1 Rev.00-00
23	Card Reader Attachment-B1/B2/B3	カードリーダー取付けキット・B1/B2/B3
24	Cassette Heater Unit-29	カセットヒーターユニット・29
25	CST Heater Unit-31/32	カセットヒーターユニット31/32
26	Cassette Heater Unit-36	カセットヒーターユニット・36
27	Cassette Heater Attachment-B1/D1/D2	カセットペディスタル用ヒーター取付けキット・ B1/D1/D2
28	Reader Heater Kit-B1	リーダーヒーターキット・B1
29	Serial Interface Kit-G1	シリアルインターフェースキット・G1
30	Voice Guidance Kit-A2/B1/D1/ Voice Guidance Attachment Kit-A1	音声ガイダンスキット・A2/B1/D1/ 音声ガイダンス取付けキット・A1
31	Voice Operation Kit-B1	音声操作キット・B1
32	Wireless LAN Board-A1	無線LANボード・A1
33	IPSec Board-A1	IPSecセキュリティボード・A1
34	HAND SET-G2	ハンドセット・G2
35	HDD Data Encryption Kit-B5	HDDデータ暗号化キット・B5



FIGURE & KEY NO.	PARTS NUMBER	RANK	Q'TY	DESCRIPTION	SERIAL NUMBER/REMARKS	SVC
2	FC5-0563-020		2	LABEL, CASSETTE SIZE, PANEL		
3	WE8-5689-000		2	FILTER, NOISE(RING CORE)	100V,230V	
4	FK2-0979-000		1	CABLE, GROUNDING	100V	

# FIGURE 100 EXTERNAL COVERS, PANELS, ETC.



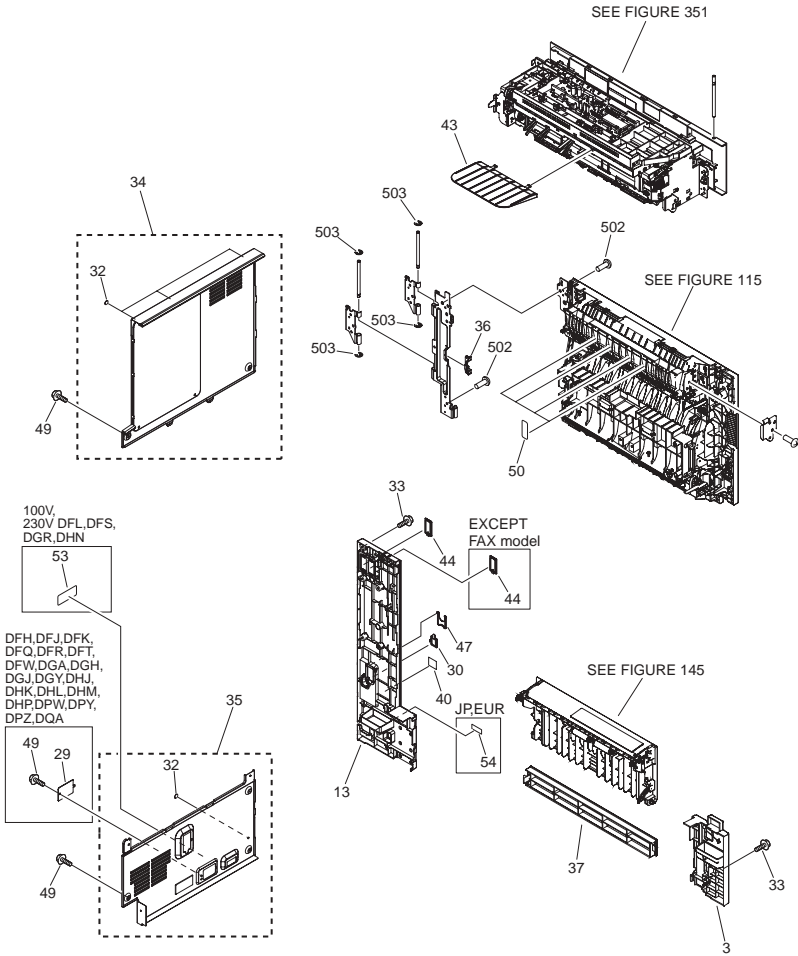


FIGURE & KEY NO.	PARTS NUMBER	R A N K	Q'TY	DESCRIPTION	SERIAL NUMBER/ REMARKS	S V C
Fig.100	NPN		RF	EXTERNAL COVERS, PANELS, ETC.		
1	FB6-3771-000		1	COVER, RUBBER		
2	FC8-1157-000		1	PANEL, LEFT		
3	FC5-0953-000		1	PANEL, RIGHT, FRONT LOWER		
4	FC7-6969-000		1	PANEL, READER CROSSMEMBER		
5	FC5-1101-000		1	PANEL, RIGHT, FRONT		
6	FC8-1132-000		1	PANEL, LEFT, MIDDLE		
7	FC8-1093-000		1	COVER, LEFT UPPER, REAR		
8	FC5-1106-000		1	PANEL, INNER, REAR LOWER		
9	FC5-1108-000		1	PANEL, INNER, LEFT LOWER		
10	FC5-1109-000		1	PANEL, INNER, MIDDLE		
11	FC5-1117-000		1	PANEL, INNER, RIGHT		
12	FC5-1277-000		1	PANEL, INNER, RIGHT		
13	FC8-1094-000		1	COVER, RIGHT, REAR		
14	FC5-1282-000		1	RUBBER, COVER		
15	FC5-6540-000		1	COVER, SCREW		
16	FK2-6308-000		1	CABLE, CONTROL PANEL		
17	FC5-0812-000		1	STOPPER, PUSHING		
18	FC5-0957-000		1	CAP, INTERNAL PAPER DELIVERY		
19	FC5-1114-000		1	COVER, INTERNAL PAPER DELIVERY		
20	FC5-0889-000		1	COVER, BLANKING		
21	FC7-6968-000		1	PANEL, INNER, REAR		
22	FC6-4391-000		1	EMBLEM		
23	FC6-5052-000		1	PIN,HINGE		
24	FC5-1100-000		1	COVER, FRONT		
25	FC5-1115-000		1	COVER, FRONT, SMALL		
26	FL2-0315-000		1	DOOR, SUPPLY		
27	XZ9-0603-000		1	CATCH, MAGNET		
28	FC7-6970-000		1	COVER, SENSOR		
29	FC5-1111-000		1	COVER, OUTLET	DFH,DFJ,DFK,DFQ,DFR, DFT,DFW,DGA,DGH,DGJ .DGY,DHJ,DHK,DHL,DHM .DHP,DPW,DPY,DPZ,DQ A	

FIGURE & KEY NO.	PARTS NUMBER	R A N K	Q'TY	DESCRIPTION	SERIAL NUMBER/ REMARKS	S V C
30	FC7-7394-000		1	COVER,HEATER SW		
31	FB6-3950-000		1	PEN, TOUCH PANEL		
32	FC5-0166-000		4	SEAL, BLANKING		
33	XA9-1386-000		AR	SCREW,RS,M3X8		
34	FL2-8435-000		1	PANEL, REAR, UPPER		
35	FM3-7054-000		1	PANEL, REAR, LOWER		
36	FC7-5875-000		1	COVER, EDGE		
37	FC5-0954-000		1	PANEL, RIGHT, LOWER		
38	FL3-0203-000		1	PLATE, NAME	iR3245F	
38	FL3-1370-000		1	PLATE, NAME	iR3245N	
38	FL3-0202-000		1	PLATE, NAME	iR3245	
38	FL3-0205-000		1	PLATE, NAME	imageRUNNER3245i	
38	FL3-0204-000		1	PLATE, NAME	imageRUNNER3245 EXCEPT GOVERNMENT model	
38	FC8-6931-000		1	PLATE, NAME	imageRUNNER3245 GOVERNMENT model	
38	FL3-0197-000		1	PLATE, NAME	iR3235F	
38	FL3-0201-000		1	PLATE, NAME	iR3235N	
38	FL3-0196-000		1	PLATE, NAME	iR3235	
38	FL3-0199-000		1	PLATE, NAME	imageRUNNER3235i	
38	FL3-0198-000		1	PLATE, NAME	imageRUNNER3235 EXCEPT GOVERNMENT model	
38	FC8-6926-000		1	PLATE, NAME	imageRUNNER3235 GOVERNMENT model	
38	FL3-0192-000		1	PLATE, NAME	iR3230	
38	FL3-0193-000		1	PLATE, NAME	imageRUNNER3230 EXCEPT GOVERNMENT model	
38	FC8-6922-000		1	PLATE, NAME	imageRUNNER3230 GOVERNMENT model	
38	FL3-0188-000		1	PLATE, NAME	iR3225F	
38	FL3-0191-000		1	PLATE, NAME	iR3225N	
38	FL3-0187-000		1	PLATE, NAME	iR3225	

FIGURE & KEY NO.	PARTS NUMBER	R A N K	Q'TY	DESCRIPTION	SERIAL NUMBER/ REMARKS	S V C
38	FL3-0189-000		1	PLATE, NAME	imageRUNNER3225 EXCEPT GOVERNMENT model	
38	FC8-6920-000		1	PLATE, NAME	imageRUNNER3225 GOVERNMENT model	
39	FL2-0352-000		1	SHEET,RETAINING		
40	FC8-1201-000		1	LABEL,SHUT.DOWN AB		
41	FC6-5067-000		1	LABEL,TONER BOTTLE CAUTION		
42	FC8-1055-000		1	COVER, CONTROL PANEL, LOWER		
43	FC5-0860-020		1	GUIDE, REVERSE BACK END		
44	FC8-1134-000		2	COVER, FAX MODULAR		
45	FC8-1164-000		1	COVER, FILTER		
46	FC8-1166-000		1	FILTER, DUST		
47	FC8-1165-000		1	COVER, POWER SUPPLY SWITCH		
48	FK2-6721-000		1	CABLE, USB	120V,230V	
49	XA9-0813-000		15	SCREW, RS, M3X8		
50	FC8-0959-000		4	SHEET, FEED AUX		
51	FC5-1146-000		1	HOLDER, SERVICE BOOK		
52	FC8-9752-000		1	LABEL, TONER INSTRUCTION	45/35 PPM US model	
52	FC8-9747-000		1	LABEL, TONER INSTRUCTION	30/25 PPM US model	
52	FC8-9754-000		1	LABEL, TONER INSTRUCTION	45/35 PPM JP,AU model	
52	FC8-9749-000		1	LABEL, TONER INSTRUCTION	30/25 PPM JP,AU model	
52	FC8-9753-000		1	LABEL, TONER INSTRUCTION	45/35 PPM EUR model	
52	FC8-9748-000		1	LABEL, TONER INSTRUCTION	30/25 PPM EUR model	
53	FU5-8802-000		1	LABEL,OUTLET	100V	
53	FU5-8803-000		1	LABEL,OUTLET	230V DFL,DFS,DGR,DHN	
54	FU5-8329-000		1	LABEL, GROUNDING CAUTION	JP	
54	FU5-8021-000		1	LABEL, GROUNDING CAUTION	EUR	
501	XB4-5400-807		3	SCREW,P,M4X8		
502	XB1-2400-807		7	SCREW, M4X8		
503	XD2-1100-502		2	RETAINING RING (E-TYPE)		



# FIGURE 101 MACHINE FRONT PLATE

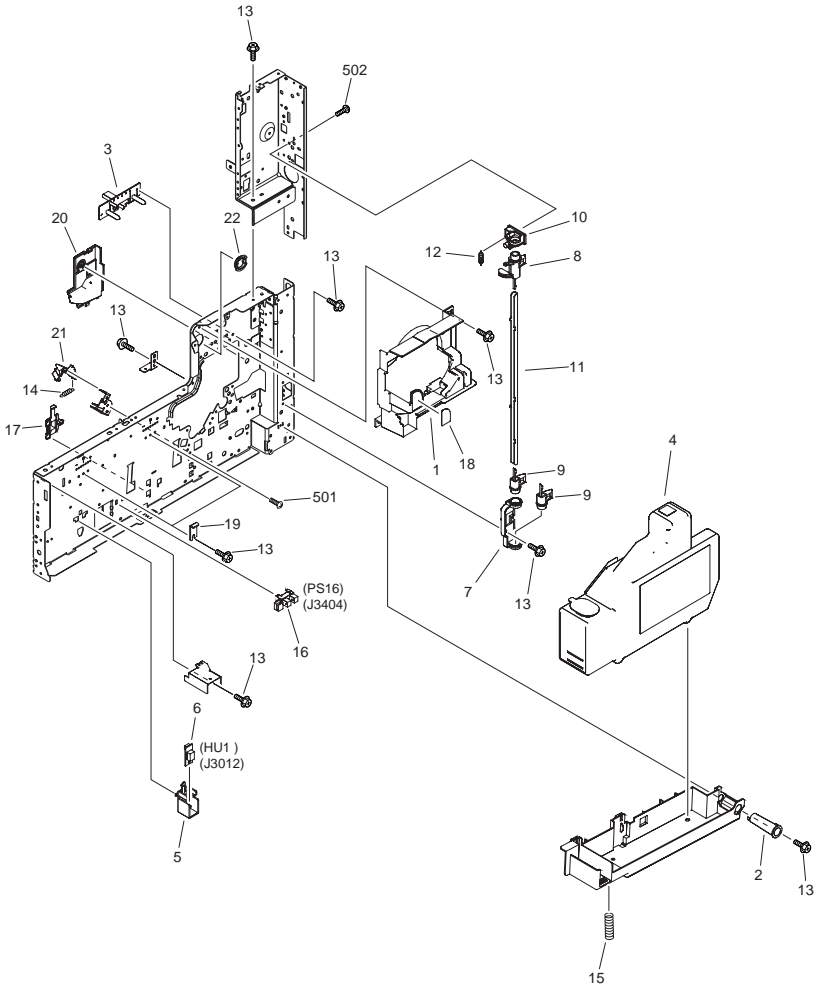


FIGURE & KEY NO.	PARTS NUMBER	R A N K	Q'TY	DESCRIPTION	SERIAL NUMBER/ REMARKS	S V C
Fig.101	NPN		RF	MACHINE FRONT PLATE		
1	FC5-1113-000		1	PANEL,INNER		
2	FC5-1413-000		1	PIN STAY		
3	FL2-0267-000		1	PIN,POSITIONING		
4	FM2-0303-000		1	BOX, WASTE TONER		
5	FC8-1119-000		1	MOUNT, ENVIRONMENT SENSOR		
6	WP2-5264-000		1	ENVIRONMENT AL SENSOR UNIT	HU1	
7	FC5-0673-000		1	SUPPORT, HOOK POSITIONING		
8	FC5-0686-010		1	HOOK, RIGHT DOOR, UPPER		
9	FC5-0687-000		2	HOOK, RIGHT DOOR, LOWER		
10	FC5-0688-000		1	BUSHING		
11	FC5-0689-000		1	SHAFT, HOOK		
12	FU5-2064-000		1	SPRING, TENSION		
13	XA9-1386-000		AR	SCREW,RS,M3X8		
14	FU6-2016-000		1	SPRING, STOPPER		
15	FU5-2096-000		1	SPRING		
16	FK2-0149-000		1	PHOTO-INTERRUPTER, TLP1252(C6)	PS16	
17	FC5-1535-000		1	GUIDE, WIRE		
18	FC6-2918-000		1	LABEL, LOCK UNLOCK		
19	FL2-0203-000		2	PIN, POSITIONING		
20	FC5-1118-000		1	COVER, RIGHT IN, SMALL		
21	FC6-4824-000		1	STOPPER BOX		
22	FC7-5910-000		1	BUSHING		
501	XB1-2300-607		1	SCREW, BH3X6		
502	XB4-5400-807		2	SCREW,P,M4X8		

# FIGURE 102 INTERNAL COMPONENTS 1

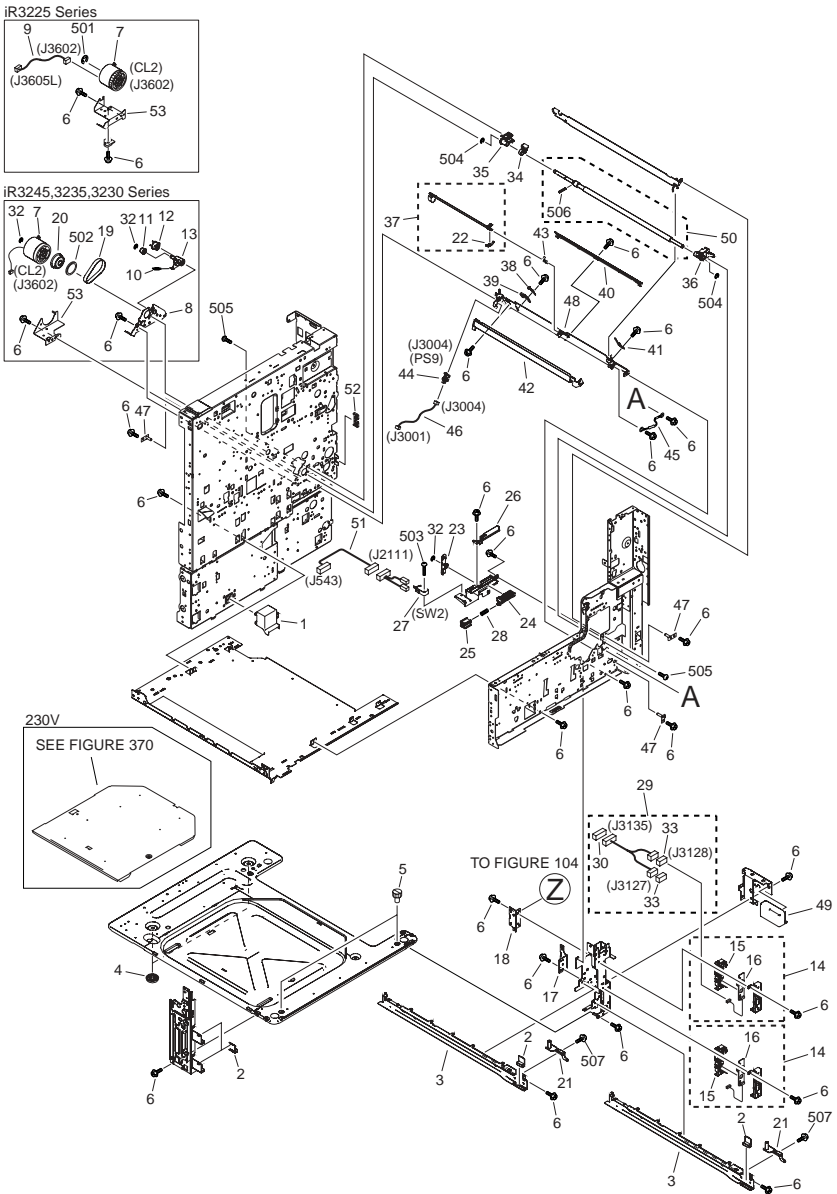


FIGURE & KEY NO.	PARTS NUMBER	R A N K	Q'TY	DESCRIPTION	SERIAL NUMBER/ REMARKS	S V C
Fig.102	NPN		RF	INTERNAL COMPONENTS 1		
1	FC6-5053-000		1	COVER, HEATER CONNECTOR		
2	FB6-3507-000		4	BLOCK, SWING		
3	FC5-0571-010		2	RAIL, RIGHT		
4	XH9-0125-000		2	FOOT		
5	XA9-1468-000		2	SCREW, KNURLED, M6X10		
6	XA9-1386-000		AR	SCREW,RS,M3X8		
7	FK2-0361-000		1	CLUTCH, ELECTROMAGNETIC	iR3245,3235,3230 Series CL2	
7	FH6-5075-021		1	CLUTCH, ELECTROMAGNETIC	iR3225 Series CL2	
8	FL2-1517-000		1	SUPPORT, REGIST. CLUTCH	iR3245,3235,3230 Series	
9	FM2-2851-000		1	CABLE,REGISTRATION CLUTCH	iR3225 Series	
10	FU5-2652-000		1	SPRING	iR3245,3235,3230 Series	
11	FU5-3178-000		1	PULLEY, 20T	iR3245,3235,3230 Series	
12	FU6-0040-000		1	PULLEY, 28T	iR3245,3235,3230 Series	
13	FL2-1518-000		1	SUPPORT, REGIST. TENSION	iR3245,3235,3230 Series	
14	FM2-0389-000		2	CASSETTE SIZE DETECT ASSEMBLY		
15	FC5-1420-000		1	HOLDER, SIZE DETECT		
16	FM2-2770-000		1	SIZE SENSOR PCB ASSEMBLY		
17	FC5-0567-010		1	PLATE, PICK-UP ASS'Y MOUNT, U		
18	FC5-0568-000		1	PLATE, PICK-UP ASS'Y MOUNT, L		
19	XF2-1608-860		1	BELT, TIMING	iR3245,3235,3230 Series	
20	FU5-3180-000		1	PULLEY,36T	iR3245,3235,3230 Series	
21	FL2-0116-010		2	PIN, SIDE REGIST. POSITIONING		
22	FC7-9370-000		1	PLATE,FLAG,REGISTRATION SENSOR		
23	FC5-1539-000		1	PLATE, ACTUATOR		
24	FC5-1540-000		1	SLIDER		
25	FC5-1541-000		1	BLOCK, SWITCH PRESSURE		
26	FC5-1545-000		1	GUIDE, ACTUATOR		
27	FK2-0384-000		1	SWITCH, MICRO	SW2	
28	FU6-2009-000		1	SPRING, LEAF		
29	FM3-5072-000		1	CABLE,CST.SIZE DETECT CONNECT		

FIGURE & KEY NO.	PARTS NUMBER	RANK	Q'TY	DESCRIPTION	SERIAL NUMBER/REMARKS	SVC
30	VS1-8412-013		1	CONNECTOR, SNAP TIGHT, BL		
31	XA9-1668-000		1	SCREW,RS,M3X8.5		
32	XD9-0136-000		2	RING, E		
33	VS1-7177-006		2	CONNECTOR, SNAP TIGHT, BK		
34	FC5-1562-000		1	HOLDER, TRANSFER GUIDE, UPPER		
35	FU5-1029-000		1	BUSHING		
36	FU5-1028-000		1	BUSHING		
37	FL2-4520-000		1	FLAG, PRE-REGISTRATION SENSOR		
38	FC6-5062-000		1	SPRING, GROUNDING		
39	FC5-0540-000		1	HOLDER, GROUNDING SPRING		
40	FC5-0547-000		1	GUIDE, PRE-REGISTRATION PAPER		
41	FC5-1564-000		1	SPRING, LEAF		
42	FL2-0245-000		1	SHEET, PAPER DUST RELEASE		
43	FU5-2035-000		1	SPRING, TORSION		
44	WG8-5783-000		1	PHOTO-INTERRUPTER, TLP1252(C6)	PS9	
45	FL2-3265-000		1	H.V.RESISTOR UNIT		
46	FM2-2858-000		1	CABLE, PRE-REGISTRATION SENSOR		
47	FC6-5051-000		3	PIN, POSITIONING		
48	FL2-0330-000		1	GUIDE,PRE-REGIST.MAIN BODY		
49	FC5-0958-000		1	GRIP, RIGHT FRONT		
50	FL2-0314-000		1	ROLLER, REGISTRATION HARD		
51	FM3-5086-000		1	CABLE, INTERLOCK		
52	FC5-7195-000		1	COVER, DOOR POSITIONING, RIGHT		
53	FC5-7181-000		1	PLATE	iR3245,3235,3230 Series	
53	FC5-1087-000		1	PLATE	iR3225 Series	
501	XD2-1100-402		1	RETAINING RING (E-TYPE)	iR3225 Series	
502	XD1-1108-215		1	WASHER,COP		
503	XB1-2301-407		1	SCREW, MACH.,TRUS HEAD, M3X14		
504	XD2-1100-642		2	RING,E		
505	XB4-5400-807		2	SCREW,P,M4X8		
506	XD3-1200-102		1	SPRING PIN		
507	XB3-6400-805		2	SCREW,RS,M4X8		



FIGURE & KEY NO.	PARTS NUMBER	R A N K	Q'TY	DESCRIPTION	SERIAL NUMBER/ REMARKS	S V C
Fig.103	NPN		RF	INTERNAL COMPONENTS 2		
1	FC5-0959-000		2	GRIP, LEFT		
2	FC8-1092-000		1	HOLDER, PRECONDITIONING		
3	XA9-1386-000		AR	SCREW,RS,M3X8		
4	FC8-1131-000		1	COVER, BOTTLE		
5	FC6-4624-000		2	SPRING,LEAF		
6	FK2-6326-000		1	LED ARRAY		
7	FM2-2776-000		1	BOARD, DRUM THERMISTOR		
8	FU5-2090-000		1	SPRING		
9	FU6-2011-000		1	SPRING		
10	FC5-1243-000		1	HANDLE, PRESSURE		
11	FC5-1262-000		2	CAM, DEVELOPING PRESSURE		
12	FU5-1030-000		1	BUSHING		
501	XB1-2300-407		2	SCREW, BH3X4 (S)		
502	XB4-5300-807		4	SCREW, P, M3X8		

# FIGURE 104 INTERNAL COMPONENTS 3

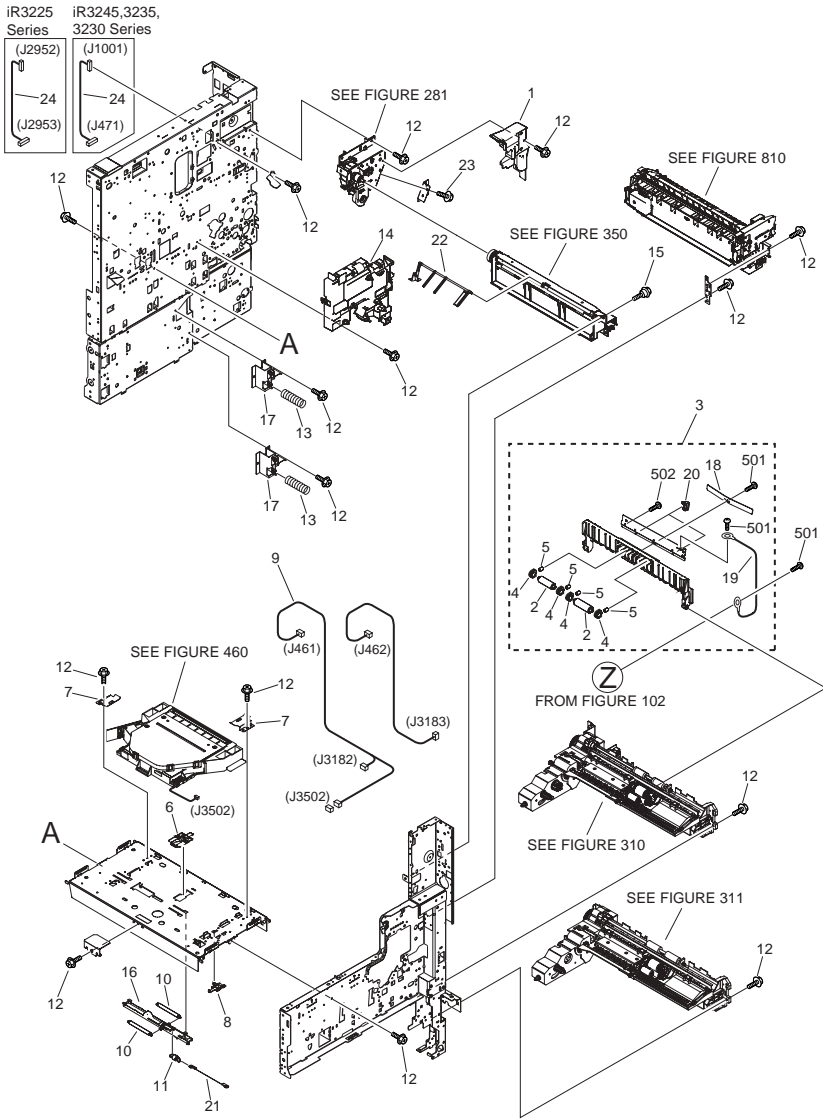




FIGURE & KEY NO.	PARTS NUMBER	R A N K	Q'TY	DESCRIPTION	SERIAL NUMBER/ REMARKS	S V C
Fig.104	NPN		RF	INTERNAL COMPONENTS 3		
1	FC5-1130-000		1	COVER, FIXING CONNECTOR		
2	FB6-3313-000		2	ROLLER, PAPER FEED		
3	FM3-1297-000		1	RIGHT LOWER INNER DOOR ASSY		
4	FU5-1035-000		4	BUSHING		
5	FU6-2924-000		4	SPRING, COMPRESSION		
6	FC5-0191-000		1	GUIDE, POSITIONING		
7	FC6-7308-000		2	SPRING, LEAF		
8	FC5-1535-000		1	GUIDE, WIRE		
9	FM3-5073-000		1	CABLE, LASER BEAM DETECT		
10	FU5-2038-000		2	SPRING, TORSION		
11	FU5-2653-000		1	SPRING		
12	XA9-1386-000		AR	SCREW,RS,M3X8		
13	FU5-2066-000		2	SPRING, COMPRESSION		
14	FM3-4389-000		1	H. V. TRANSFER PCB ASSEMBLY		
15	FS5-9664-020		2	SCREW,RS STEPPED,M3		
16	FC5-1533-000		1	LINK,SHUTTER		
17	FC5-0573-000		2	MOUNT, CASSETTE PUSH SPRING		
18	FC7-5906-000		1	SPRING, LEAF		
19	FM3-3911-000		1	CABLE, GROUNDING		
20	FC7-5907-000		2	SPRING, GROUNDING		
21	FC7-2667-000		1	WIRE, SHUTTER		
22	FC5-0798-000		1	FLAG, FULL DETECT		
23	XA9-1164-000		1	SCREW,RS,M3X6.5		
24	FM3-5063-000		1	CABLE, FIXING AC	iR3245,3235,3230 Series	
24	FM3-5070-000		1	CABLE, FIXING AC	iR3225 Series	
501	XB1-2300-607		AR	SCREW, BH3X6		
502	XB4-7300-807		3	SCREW, BH3X6		

# FIGURE 105 MACHINE REAR PLATE 1

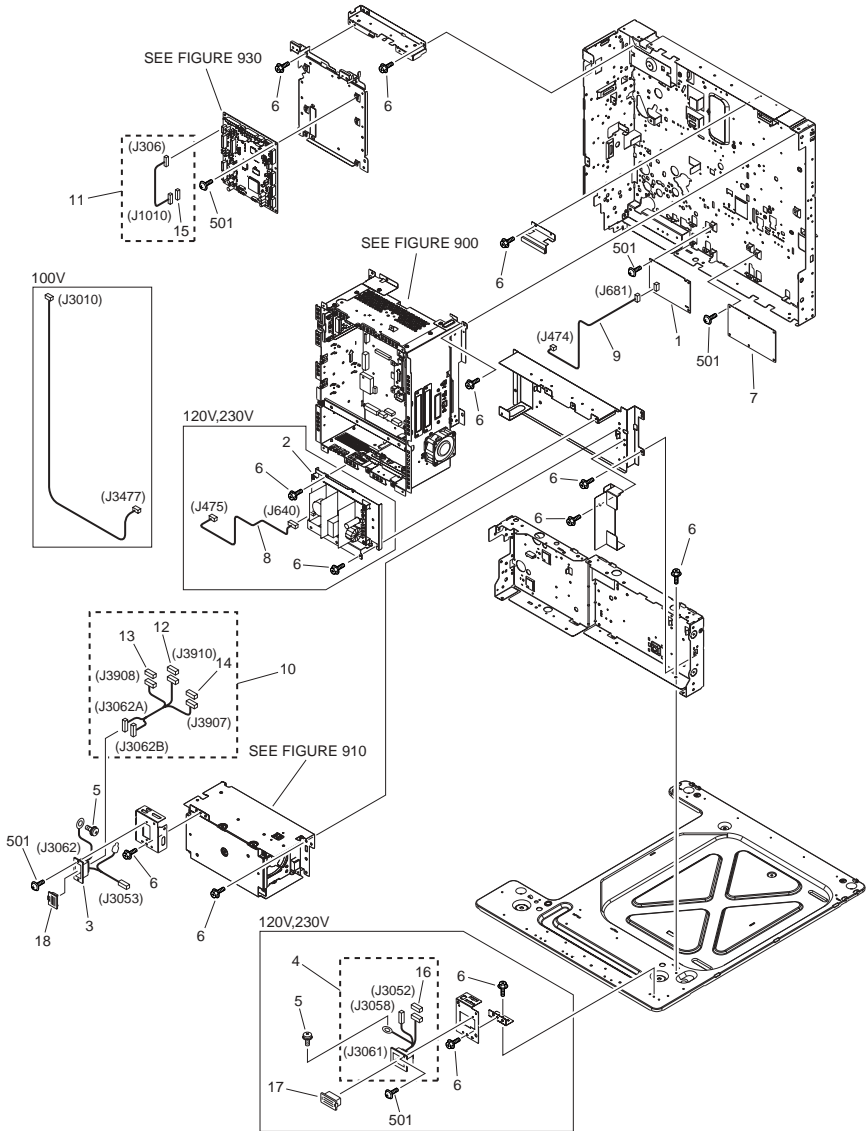


FIGURE & KEY NO.	PARTS NUMBER	R A N K	Q'TY	DESCRIPTION	SERIAL NUMBER/ REMARKS	S V C
Fig.105	NPN		RF	MACHINE REAR PLATE 1		
1	FK2-6324-000		1	ALL DAY POWER PCB	100V,120V EXCEPT GOVERNMENT model	
1	FK2-0340-000		1	ALL DAY POWER PCB	120V GOVERNMENT model	
1	FK2-0341-020		1	ALL DAY POWER PCB	230V	
2	FK2-6297-000		1	ACC POWER SUPPLY UNIT	120V	
2	FK2-6298-000		1	ACC POWER SUPPLY UNIT	230V	
3	FM3-7391-000		1	CABLE, LATTICE		
4	FM3-7390-000		1	CABLE, LATTICE	120V,230V	
5	XA9-0265-010		2	SCREW,W/WASHER,TRUSS HEAD		
6	XA9-1386-000		AR	SCREW,RS,M3X8		
7	FM3-5050-000		1	RELAY PCB ASSEMBLY		
8	FM3-5082-000		1	CABLE,ACCESSORY POWER SUPPLY	120V,230V	
9	FM3-5083-000		1	CABLE, ALL NIGHT POWER SUPPLY		
10	FM3-5059-000		1	CABLE, LATTICE		
11	FM3-5080-000		1	CABLE, FIXING CONNECT		
12	VS1-7177-002		1	CONNECTOR, SNAP TIGHT, BK		
13	VS1-7177-004		1	CONNECTOR, SNAP TIGHT, BK		
14	VS1-7177-008		1	CONNECTOR, SNAP TIGHT, BK		
15	VS1-7177-012		1	CONNECTOR, SNAP TIGHT, BK		
16	VS1-7507-007		1	CONNECTOR, SNAP TIGHT, BK		
17	FH2-6552-000		1	COVER, CONNECTOR	120V,230V	
18	WT8-5099-000		1	COVER, DUST		
501	XB6-7300-607		AR	SCREW, CROOSS-RECESS, FCH		

# FIGURE 106 MACHINE REAR PLATE 2

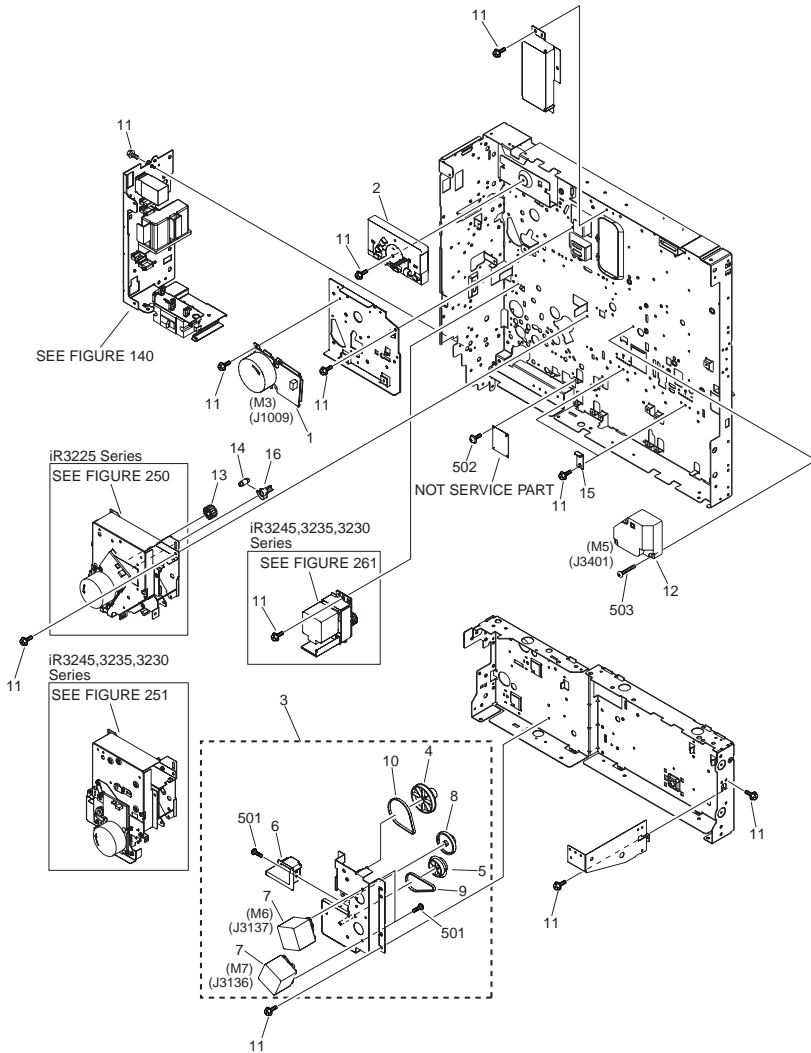


FIGURE & KEY NO.	PARTS NUMBER	R A N K	Q'TY	DESCRIPTION	SERIAL NUMBER/ REMARKS	S V C
Fig.106	NPN		RF	MACHINE REAR PLATE 2		
1	FK2-6301-000		1	MOTOR, DC24V	M3	
2	FC8-1120-000		1	COVER, DC NETWORK BACK		
3	FM2-0339-000		1	PAPER PICK-UP MOTOR UNIT		
4	FC5-1516-000		1	PULLEY, 80T		
5	FC5-1517-000		1	PULLEY, 50T		
6	FC5-1518-000		1	COVER, PICK-UP MOTOR SUPPORT		
7	FM2-0338-000		2	MOTOR, DC	M6,M7	
8	FU3-0285-000		1	GEAR, 80T/16T		
9	XF2-1607-840		1	BELT, TIMING		
10	XF2-1609-040		1	BELT,TIMING		
11	XA9-1386-000		AR	SCREW,RS,M3X8		
12	FK2-6316-000		1	MOTOR, DC24V	M5	
13	FU5-0007-000		1	GEAR, 17T		
14	FU5-6643-000		1	ROLLER		
15	FL2-0203-000		2	PIN, POSITIONING		
16	FC6-9613-000		1	CAM, RELEASE		
501	XB1-2300-607		7	SCREW, BH3X6		
502	XB6-7300-607		4	SCREW, CROSS-RECESS, FCH		
503	XB1-2302-007		3	SCREW, BH3X20 (S)		

# FIGURE 107 MACHINE REAR PLATE 3

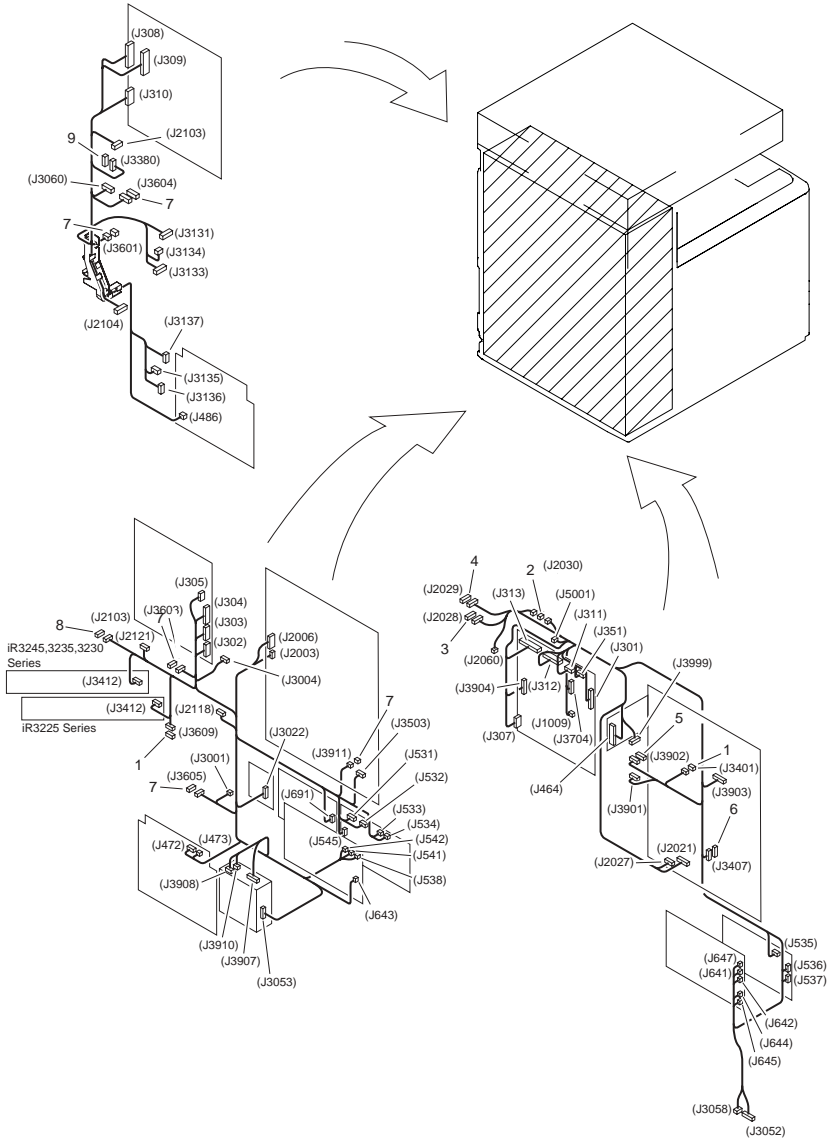
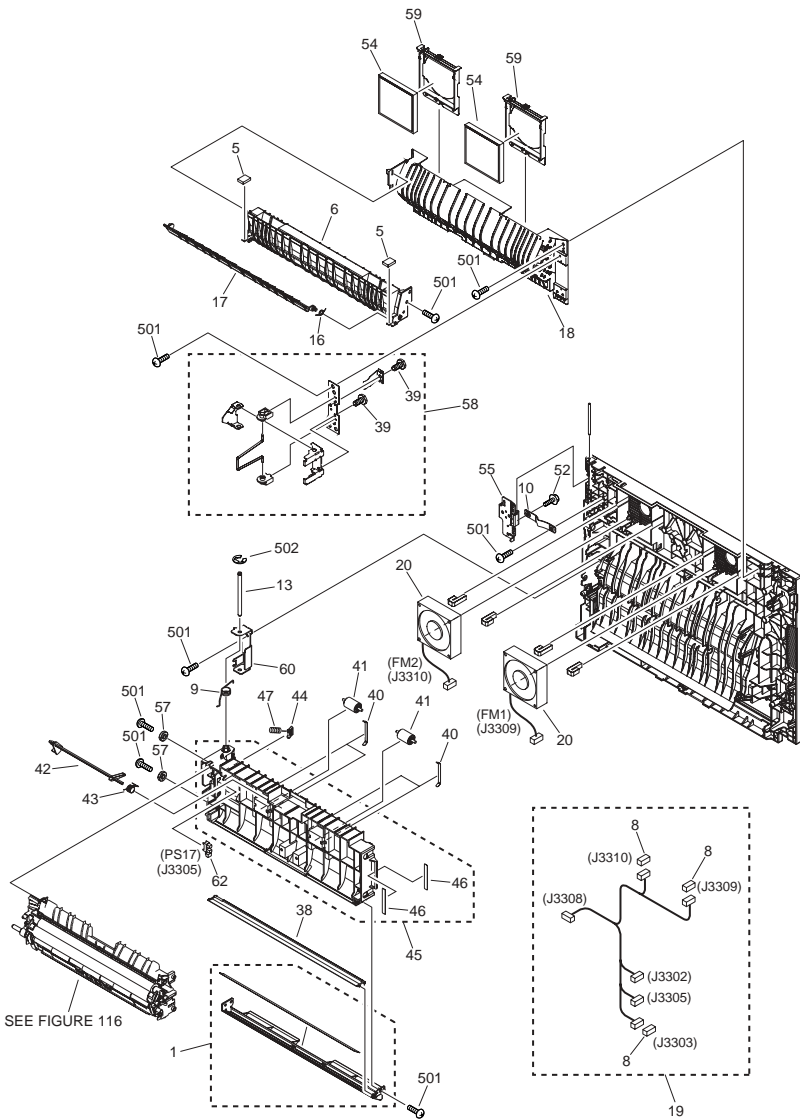


FIGURE & KEY NO.	PARTS NUMBER	RANK	Q'TY	DESCRIPTION	SERIAL NUMBER/REMARKS	SVC
Fig.107	NPN		RF	MACHINE REAR PLATE 3		
1	VS1-7177-003		2	CONNECTOR, SNAP TIGHT, BK		
2	VS1-7177-005		1	CONNECTOR, SNAP TIGHT, BK		
3	VS1-7177-009		1	CONNECTOR, SNAP TIGHT, BK		
4	VS1-7177-010		1	CONNECTOR, SNAP TIGHT, BK		
5	VS1-7507-005		1	CONNECTOR, SNAP TIGHT, BK		
6	VS1-8412-027		1	CONNECTOR, SNAP TIGHT, BL		
7	VS1-7177-002		5	CONNECTOR, SNAP TIGHT, BK		
8	VS1-8412-003		1	CONNECTOR, SNAP TIGHT, BL		
9	VS1-8412-015		1	CONNECTOR, SNAP TIGHT, BL		

# FIGURE 115 RIGHT DOOR ASSEMBLY



NOTE 1: This assembly includes the assemblies shown in Figure 116 and 315.

NOTE 2: This assembly does not include the part shown with Key No. 54.

注1: このユニットはFigure 116, 315のユニットを含みます。

注2: このユニットにKey No. 54の部品は含みません。



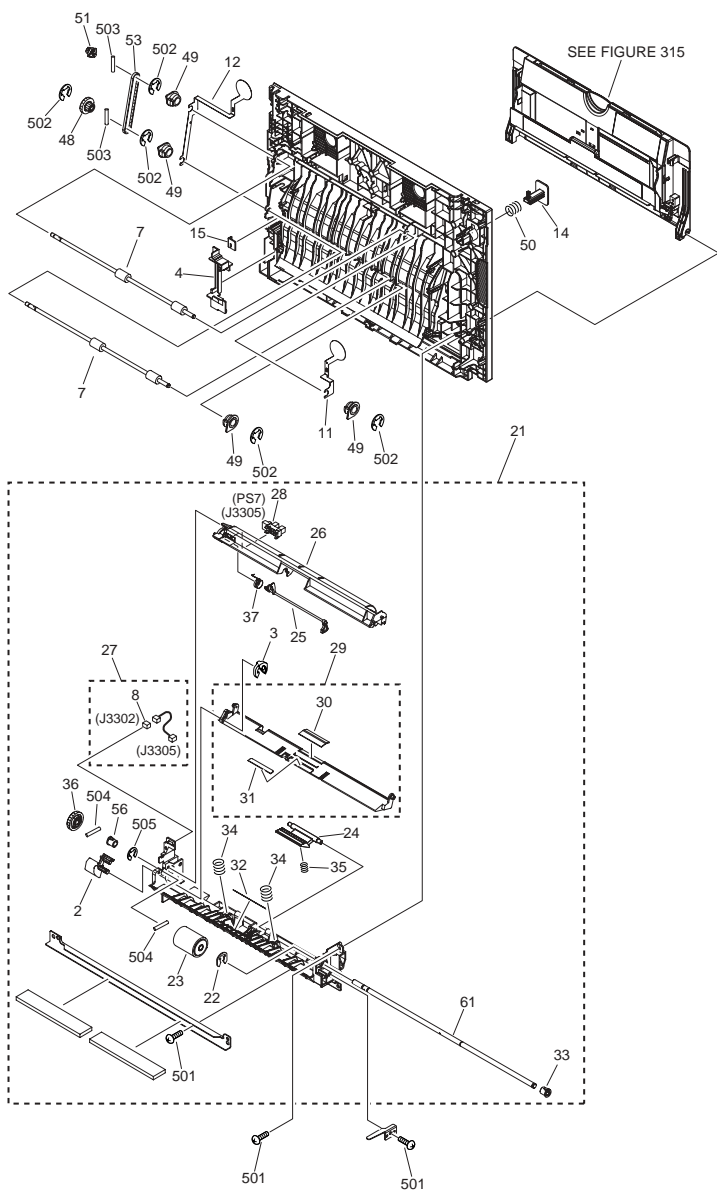
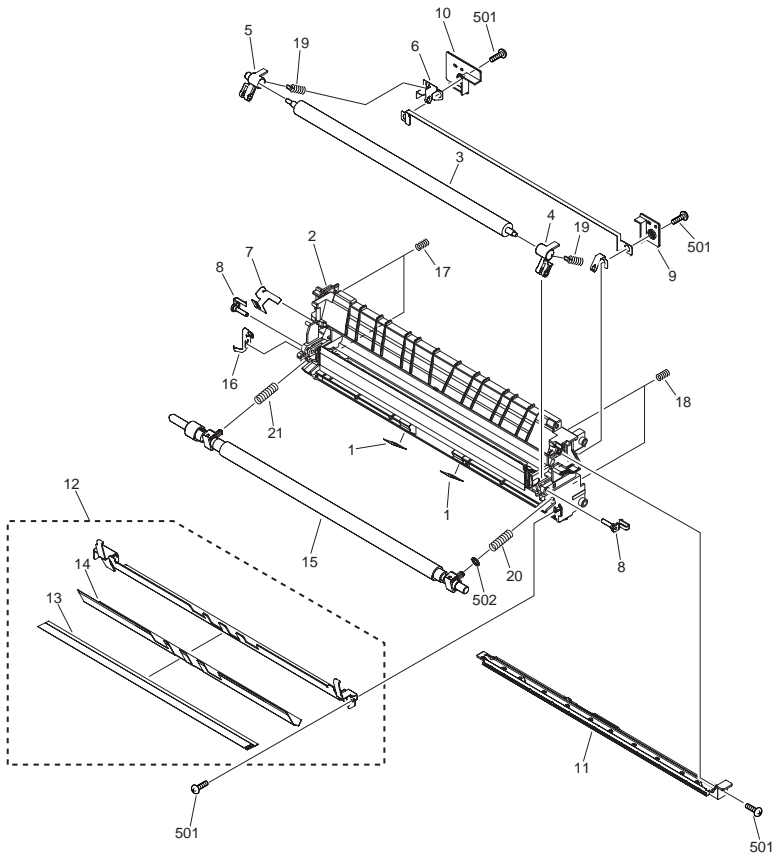


FIGURE & KEY NO.	PARTS NUMBER	R A N K	Q'TY	DESCRIPTION	SERIAL NUMBER/ REMARKS	S V C
Fig.115	FM3-4405-000		1	RIGHT DOOR ASSEMBLY	SEE NOTE 1	
1	FL2-0106-000		1	GUIDE, PRE-REGIST. AUXILIARY		
2	FC6-9604-000		1	LEVER, RELEASE		
3	FC7-4155-000		1	RING, E		
4	FC6-9625-000		1	COVER, MULTI FEED CONNECTOR		
5	FC5-0693-000		2	DAMPER, FLAPPER		
6	FC5-0652-000		1	GUIDE, DUPLEXING FEEDER, 2		
7	FC5-0653-020		2	ROLLER, DUPLEXING FEEDER		
8	VS1-7177-003		4	CONNECTOR, SNAP TIGHT, BK		
9	FC5-0659-000		1	SPRING, TORSION		
10	FC5-0674-000		1	STRAP, RIGHT DOOR		
11	FC5-0676-000		1	PLATE, GROUNDING		
12	FC6-4026-000		1	PLATE, GROUNDING		
13	FC5-0682-000		1	PIN, INNER DOOR HINGE		
14	FC5-0685-000		1	BUTTON, RIGHT DOOR		
15	FC5-0690-000		1	PLATE, SHOCK ABSORBER		
16	FC5-0972-000		1	SPRING, TORSION		
17	FC5-1354-000		1	FLAPPER, FIXING DELIVERY REV.		
18	FC6-2902-000		1	GUIDE, DUPLEXING FEEDER		
19	FM3-5074-000		1	CABLE, RIGHT DOOR		
20	FK2-0360-000		2	FAN	FM1,FM2	
21	FM3-1283-000		1	MULTI FEED FRAME ASSEMBLY		
22	FC6-5046-000		1	RING, RETAINING		
23	FB1-8581-000		1	ROLLER		
24	FC7-9481-000		1	PAD, MULTI FEED SEPARATION		
25	FC5-0489-000		1	FLAG, MULTI FEED SENSOR		
26	FC5-0490-000		1	COVER, MULTI FEED ROLLER		
27	FG3-3188-000		1	CABLE, MULTI SENSOR		
28	FK2-0149-000		1	PHOTO-INTERRUPTER, TLP1252(C6)	PS7,J3304	
29	FL2-4399-000		1	PLATE, MULTI FEED, LIFTER		
30	FC5-0529-000		1	SHEET, SEPARATION		
31	FC5-0543-000		1	SHEET, SEPARATION		

FIGURE & KEY NO.	PARTS NUMBER	R A N K	Q'TY	DESCRIPTION	SERIAL NUMBER/ REMARKS	S V C
32	FC5-0542-000		1	SHEET, MULTI FEED OUTLET		
33	FU5-1737-000		1	BUSHING		
34	FU6-2022-000		2	SPRING, COMPRESSION		
35	FS6-2791-000		1	SPRING, COMPRESSION		
36	FU7-0342-000		1	GEAR, 31T		
37	FU5-2034-000		1	SPRING, TORSION		
38	FC5-0496-000		1	GUIDE, PRE-REGIST. AUX., UPPER		
39	XA9-0894-010		3	SCREW,M3X6		
40	FC6-4015-000		4	SPRING, LEAF		
41	FC6-5055-000		2	ROLLER, DUPLEXING		
42	FC5-0657-000		1	FLAG, DUPLEXING FEEDER SENSOR		
43	FC5-0658-000		1	SPRING, TORSION		
44	FC5-0691-000		1	STOPPER, DOOR		
45	FL2-0143-000		1	GUIDE, DUPLEXING INTERNAL		
46	FC5-0703-000		2	LABEL, RIGHT INSIDE DOOR GRIP		
47	FU5-2067-000		1	SPRING, COMPRESSION		
48	FU5-0006-000		1	GEAR, 26T/PULLEY, 24T		
49	FU5-1006-000		4	BUSHING		
50	FU5-2063-000		1	SPRING, COMPRESSION		
51	FU5-3016-000		1	PULLEY, 24T		
52	XA9-1386-000		1	SCREW,RS,M3X8		
53	XF2-4112-240		1	BELT, TIMING, COGGED		
54	FM3-9441-000		2	FILTER, HEAT DISCHARGE FAN	SEE NOTE 2	
55	FC7-5878-000		1	PLATE, HINGE		
56	FU5-1760-000		1	BUSHING		
57	FU5-6014-000		2	COLLAR		
58	FM2-0355-010		1	HOOK HOLDER UNIT		
59	FL2-0298-000		2	HOLDER, FILTER		
60	FC5-0681-000		1	PLATE,INTERNAL DOOR HINGE,		
61	FC7-9358-000		1	SHAFT,MULTIFEED ROLLER		
62	WG8-5783-000		1	PHOTO-INTERRUPTER, TLP1252(C6)	PS17	
501	XB4-5401-007		AR	SCREW, M4X10		

FIGURE & KEY NO.	PARTS NUMBER	R A N K	Q'TY	DESCRIPTION	SERIAL NUMBER/ REMARKS	S V C
502	XD2-1100-422		5	RETAINING RING (E-TYPE)		
503	XD3-2200-102		2	PIN, PARALLEL		
504	XD3-2160-162		2	PIN,DOWEL		
505	XD2-1100-642		1	RING,E		

# FIGURE 116 PAPER FEEDER FRAME ASSEMBLY



NOTE : This assembly is included in the assembly shown in Figure 115.  
注 : このユニットはFigure 115のユニットに含まれます。

FIGURE & KEY NO.	PARTS NUMBER	R A N K	Q'TY	DESCRIPTION	SERIAL NUMBER/ REMARKS	S V C
Fig.116	FM2-0252-000		1	PAPER FEEDER FRAME ASSEMBLY	SEE NOTE	
1	FC5-0548-000		2	SHEET, PRE-REGISTRATION		
2	FC5-1120-000		1	FRAME, FEEDER		
3	FC5-1121-000		1	ROLLER, TRANSFER		
4	FC5-1124-000		1	ARM, TRANSFER, FRONT		
5	FC5-1125-000		1	ARM, TRANSFER, REAR		
6	FC5-1126-000		1	PLATE, TRANSFER ELECTRODE, R.		
7	FC5-1127-000		1	PLATE, STATIC CHARGE ELECTRODE		
8	FC5-1536-000		2	PIN, TRANSFER HINGE		
9	FC5-1558-000		1	COVER,ELECTRODE PLATE,FRONT		
10	FC5-1559-000		1	COVER,ELECTRODE PLATE,REAR		
11	FL2-0247-000		1	HOLDER,STATIC CHARGE ELIMI.		
12	FL2-0250-000		1	GUIDE, PRE-REGIST. DOOR SIDE		
13	FC5-0549-000		1	ELIMINATOR, STATIC CHARGE		
14	FC5-1552-000		1	SHEET, PRE-REGIST. DOOR SIDE		
15	FL2-0251-000		1	ROLLER, REGISTRATION SOFT		
16	FU5-2037-000		1	PLATE, GROUNDING		
17	FU5-2044-000		2	SPRING, COMPRESSION		
18	FU5-2045-000		2	SPRING, COMPRESSION		
19	FU5-2076-000		2	SPRING		
20	FU5-2611-000		1	SPRING, COMPRESSION		
21	FU6-2020-000		1	SPRING, COMPRESSION		
501	XB4-5401-007		5	SCREW, M4X10		
502	XD1-1106-219		1	SHIM, CIRCULAR		

# FIGURE 130 CONTROL PANEL ASSEMBLY

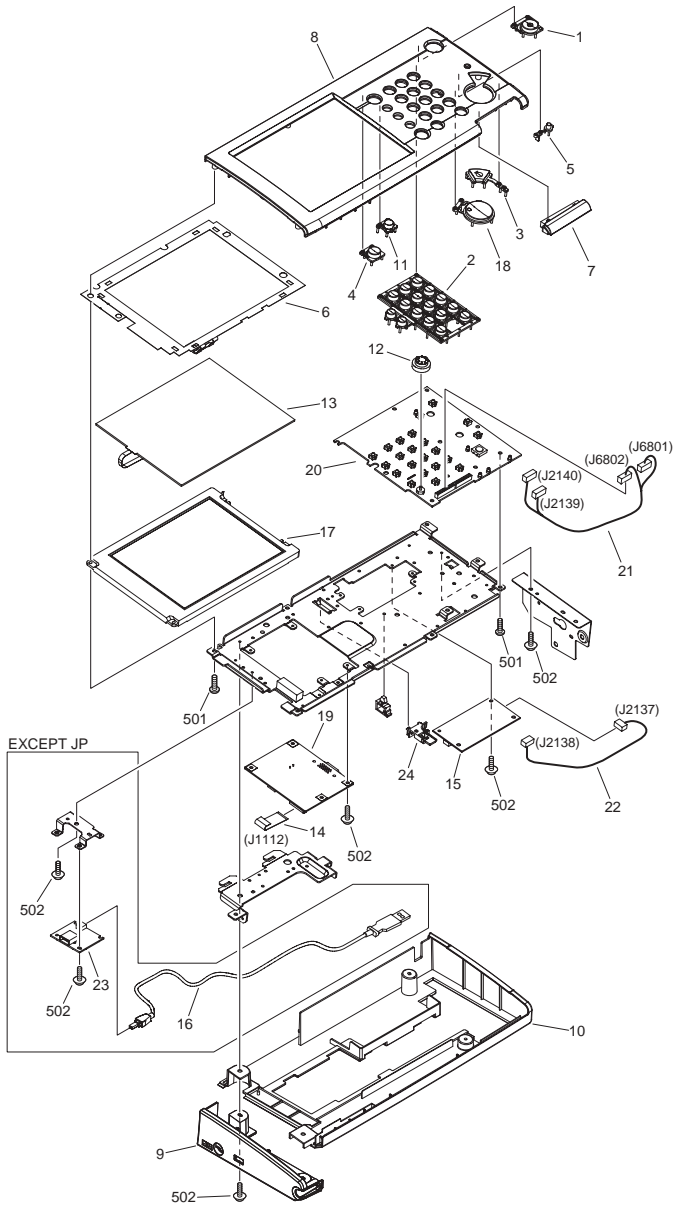
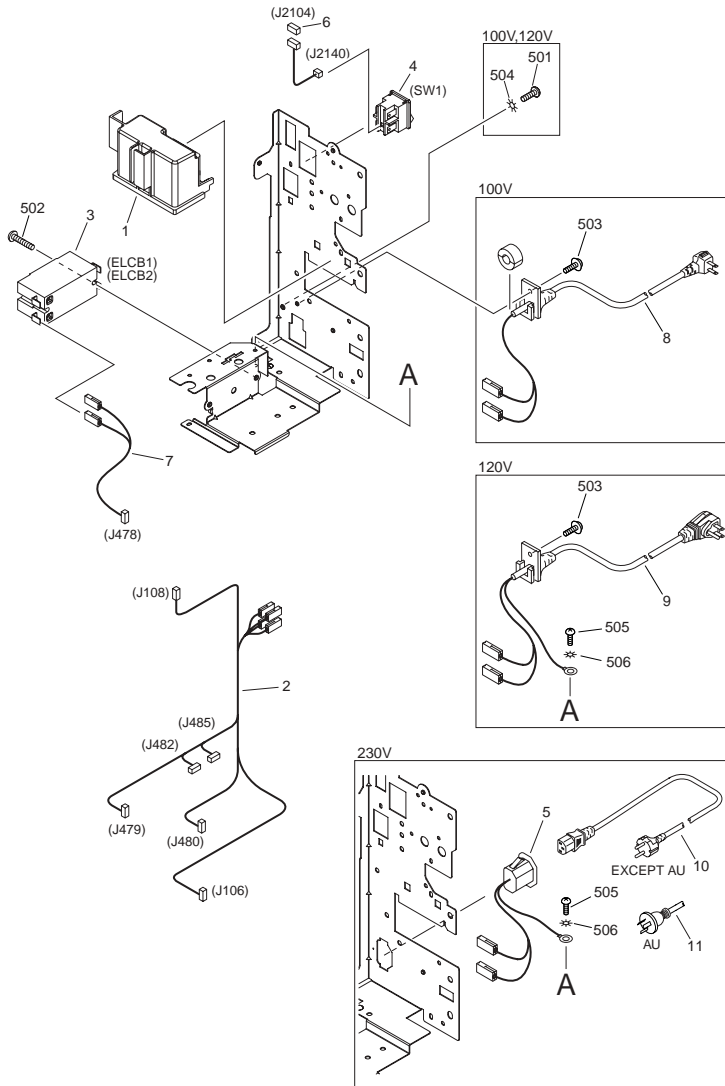


FIGURE & KEY NO.	PARTS NUMBER	R A N K	Q'TY	DESCRIPTION	SERIAL NUMBER/ REMARKS	S V C
Fig.130	FM3-4386-000		1	CONTROL PANEL ASSEMBLY	JP	
Fig.130	FM3-7261-000		1	CONTROL PANEL ASSEMBLY	EXCEPT JP, EUR	
Fig.130	FM3-7262-000		1	CONTROL PANEL ASSEMBLY	EUR	
1	FC5-1059-000		1	KEY TOP, POWER SUPPLY		
2	FC5-1061-000		1	KEY TOP, NUMBERS		
3	FC5-1064-000		1	KEY TOP, STOP		
4	FC5-1065-000		1	KEY TOP, RESET		
5	FC5-1066-000		1	KEY TOP, COUNTER		
6	FC5-4458-010		1	SHEET, LCD ELECTROSTATIC		
7	FC6-9571-000		1	WINDOW, LAMP		
8	FL3-2594-000		1	COVER, CONTROL PANEL, UPPER	JP	
8	FL3-2595-000		1	COVER, CONTROL PANEL, UPPER	EXCEPT JP, EUR	
8	FL3-2596-000		1	COVER, CONTROL PANEL, UPPER	EUR	
9	FC8-1250-000		1	COVER, CONTROL PANEL SIDE	JP	
9	FC8-1053-000		1	COVER, CONTROL PANEL SIDE	EXCEPT JP	
10	FC8-1054-000		1	COVER, CONTROL PANEL, LOWER		
11	FC8-1057-000		1	KEYTOP, VOLUME ADJUSTER		
12	FC8-1058-000		1	KNOB, VOLUME		
13	FK2-0329-000		1	ANALOG TOUCH PANEL UNIT		
14	FK2-6627-000		1	CABLE, FLAT		
15	FM3-5744-000		1	INVERTER PCB ASSEMBLY		
16	FK2-6722-000		1	USB CABLE	EXCEPT JP	
17	FL3-0489-000		1	LCD CONTROL PANEL UNIT		
18	FM2-1116-000		1	START KEY TOP ASSEMBLY		
19	FM3-9216-000		1	CONTROL PANEL CPU PCB ASSEMBLY		
20	FM4-0074-000		1	PANEL SWITCH PCB ASSEMBLY		
21	FM3-5745-000		1	CABLE, PANEL INVERTER		
22	FM3-5535-000		1	CABLE, SWITCH		
23	FM3-5743-000		1	CONTROL PANEL USB PCB ASSEMBLY	EXCEPT JP	
24	FC8-9329-000		1	GUIDE, INVERTER CABLE		
501	XB4-5301-007		13	SCREW, P, M3X10		
502	XB6-7300-607		AR	SCREW, CROOSS-RECESS, FCH		



# FIGURE 140 POWER CORD TERMINAL ASSEMBLY



NOTE : This assembly does not include the parts shown with key No. 10 and 11.  
 注 : このユニットにKey No. 10, 11の部品は含まれません。

FIGURE & KEY NO.	PARTS NUMBER	R A N K	Q'TY	DESCRIPTION	SERIAL NUMBER/ REMARKS	S V C
Fig.140	FM3-4400-000		1	POWER CORD TERMINAL ASSEMBLY	100V	
Fig.140	FM3-7260-000		1	POWER CORD TERMINAL ASSEMBLY	120V	
Fig.140	FM3-4401-000		1	POWER CORD TERMINAL ASSEMBLY	230V	
1	FC5-1168-000		1	HANDLE, RIGHT REAR		
2	FM3-5066-000		1	CABLE, AC MAIN		
3	FH7-7626-000		1	BREAKER,ELECTRIC LEAKAGE	100V,120V	
3	FH7-7625-030		1	BREAKER,ELECTRIC LEAKAGE	230V	
4	FK2-2509-000		1	SWITCH, MAIN	SW1	
5	FL2-9010-000		1	CABLE, SOCKET	230V	
6	VS1-8412-003		1	CONNECTOR, SNAP TIGHT, BL		
7	FM3-5071-000		1	CABLE, MAIN SWITCH		
8	FL2-9008-000		1	CORD, POWER SUPPLY	100V	
9	FL2-9009-000		1	CORD, POWER SUPPLY	120V	
10	FK2-0146-000		1	CORD, POWER SUPPLY	SEE NOTE 230V EXCEPT AU	
11	FK2-0148-000		1	CORD, POWER SUPPLY	SEE NOTE 230V AU	
501	XB1-2400-603		1	SCREW, MACHINE M4X6 (COP)	100V,120V	
502	XB1-2402-007		2	SCREW, BH4X20 (S)		
503	XB6-7300-607		1	SCREW, CROOSS-RECESS, FCH	100V,120V	
504	XD1-4200-402		1	WASHER, TOOTHED LOCK, M4	100V,120V	
505	XB1-2500-603		1	SCREW, M5X6	120V,230V	
506	XD1-4200-502		1	LOCK WASHER (SUS)	120V,230V	

# FIGURE 145 RIGHT LOWER DOOR ASSEMBLY

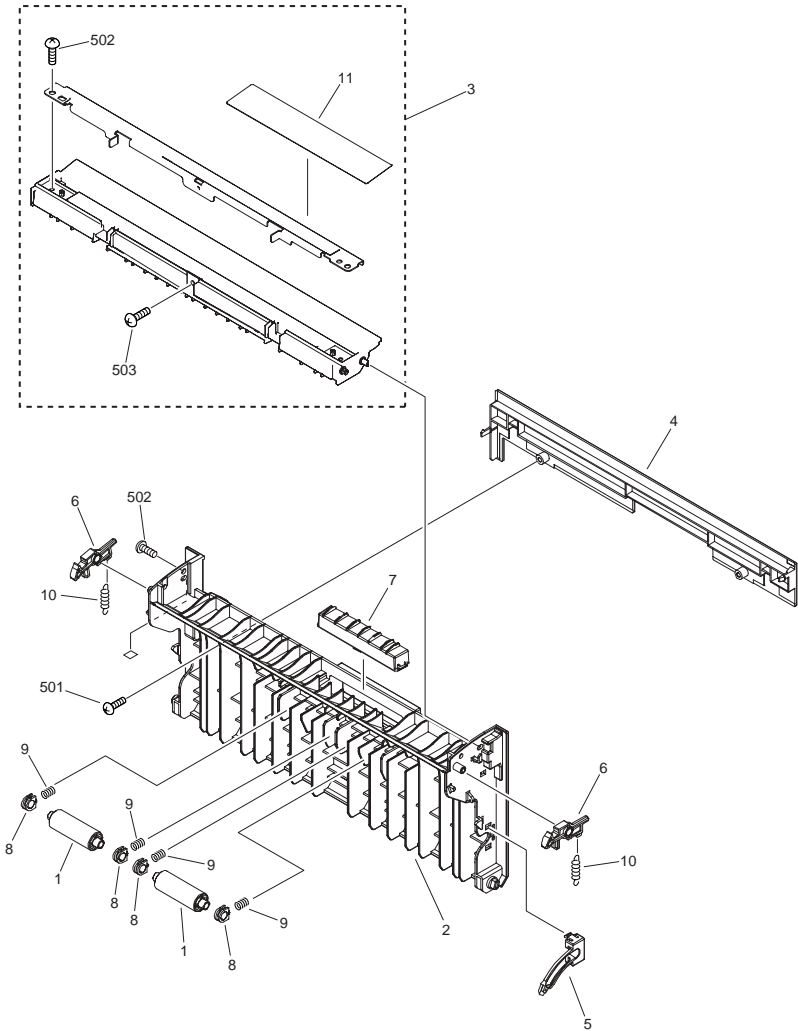


FIGURE & KEY NO.	PARTS NUMBER	R A N K	Q'TY	DESCRIPTION	SERIAL NUMBER/ REMARKS	S V C
Fig.145	FM3-1296-000		1	RIGHT LOWER DOOR ASSEMBLY		
1	FB6-3313-000		2	ROLLER, PAPER FEED		
2	FC5-0588-010		1	DOOR, RIGHT LOWER		
3	FM3-1298-000		1	RIGHT LW. DOOR DECK PATH ASS'Y		
4	FC5-0590-000		1	PANEL, BLANKING		
5	FC5-0592-000		1	STOPPER, RIGHT LOWER DOOR		
6	FC5-0593-000		2	HOOK, RIGHT LOWER DOOR		
7	FC5-0594-000		1	GRIP, RIGHT LOWER DOOR		
8	FU5-1035-000		4	BUSHING		
9	FU6-2924-000		4	SPRING, COMPRESSION		
10	FU6-2974-000		2	SPRING, TENSION		
11	FU5-8011-000		1	LABEL, LASER CAUTION		
501	XB4-5400-807		2	SCREW,P,M4X8		
502	XB4-7300-807		3	SCREW, TAP TIGHT, BINDING HEAD		
503	XB1-2300-607		1	SCREW, BH3X6		

# FIGURE 250 MAIN DRIVE ASSEMBLY (iR3225 Series)

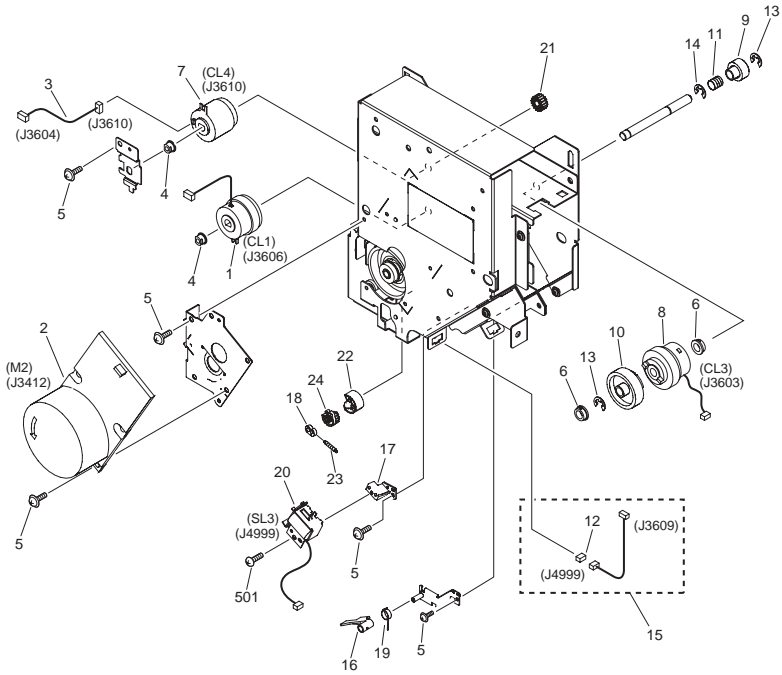


FIGURE & KEY NO.	PARTS NUMBER	R A N K	Q'TY	DESCRIPTION	SERIAL NUMBER/ REMARKS	S V C
Fig.250	FM3-6153-000		1	MAIN DRIVE ASSEMBLY	iR3225 Series	
1	FK2-6306-000		1	CLUTCH, ELECTROMAGNETIC	CL1	
2	FK2-6300-000		1	MOTOR, DC24V	M2	
3	FM2-2842-000		1	CABLE, CLUTCH		
4	FU5-1615-000		2	BUSHING		
5	XA9-1164-000		9	SCREW,RS,M3X6.5		
6	FA9-2112-000		2	BUSHING, PL		
7	FH6-5005-020		1	CLUTCH, ELECTRO MAGNETIC	CL4	
8	FK2-6305-000		1	CLUTCH, ELECTROMAGNETIC	CL3	
9	FU5-0087-000		1	GEAR,20T		
10	FU5-0098-000		1	GEAR,43T		
11	FU5-2079-000		1	SPRING		
12	VS1-7207-003		1	CONNECTOR, SNAP TIGHT, BK		
13	XD9-0136-000		2	RING, E		
14	XD9-0137-010		1	RING, E		
15	FM3-5077-000		1	CABLE, MULTI SOLENOID CONNECT.		
16	FC5-7260-000		1	LEVER, RELEASE		
17	FC5-7261-000		1	MOUNT, SOLENOID		
18	FC6-2993-000		1	COLLAR, SPRING		
19	FC7-2385-000		1	SPRING, TORSION		
20	FK2-2070-000		1	SOLENOID, FLAPPER	SL3	
21	FU6-0029-000		1	GEAR, 18T		
22	FU6-0036-000		1	CAM		
23	FU6-0041-000		1	SPRING, TENSION		
24	FU6-0054-000		1	GEAR, 15T		
501	XB4-5400-807		1	SCREW,P,M4X8		

FIGURE 251  
MAIN DRIVE ASSEMBLY (iR3245/3235/3230 Series)

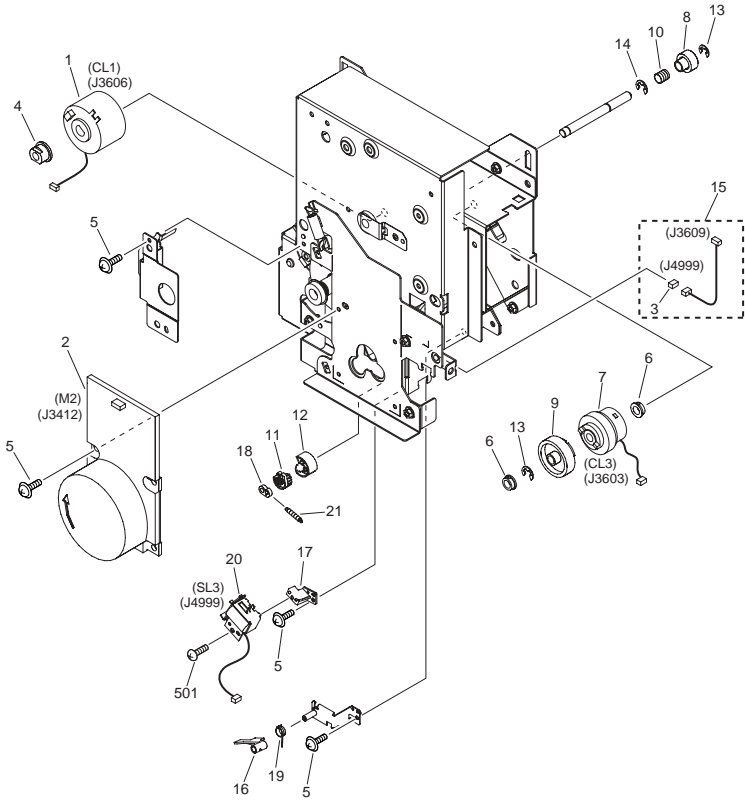


FIGURE & KEY NO.	PARTS NUMBER	R A N K	Q'TY	DESCRIPTION	SERIAL NUMBER/ REMARKS	S V C
Fig.251	FM3-4387-000		1	MAIN DRIVE ASSEMBLY	IR3245,3235,3230 Series	
1	FK2-6306-000		1	CLUTCH, ELECTROMAGNETIC	CL1	
2	FK2-6299-000		1	MOTOR, DC24V	M2	
3	VS1-7207-003		1	CONNECTOR, SNAP TIGHT, BK		
4	FU5-1615-000		1	BUSHING		
5	XA9-1164-000		8	SCREW,RS,M3X6.5		
6	FA9-2112-000		2	BUSHING, PL		
7	FK2-6305-000		1	CLUTCH, ELECTROMAGNETIC	CL3	
8	FU5-0087-000		1	GEAR,20T		
9	FU5-0098-000		1	GEAR,43T		
10	FU5-2079-000		1	SPRING		
11	FU6-0054-000		1	GEAR, 15T		
12	FU6-0036-000		1	CAM		
13	XD9-0136-000		2	RING, E		
14	XD9-0137-010		1	RING, E		
15	FM3-5077-000		1	CABLE, MULTI SOLENOID CONNECT.		
16	FC5-7260-000		1	LEVER, RELEASE		
17	FC5-7261-000		1	MOUNT, SOLENOID		
18	FC6-2993-000		1	COLLAR, SPRING		
19	FC7-2385-000		1	SPRING, TORSION		
20	FK2-2070-000		1	SOLENOID, FLAPPER	SL3	
21	FU6-0041-000		1	SPRING, TENSION		
501	XB4-5400-807		1	SCREW,P,M4X8		



# FIGURE 261 DUPLEXING DRIVE ASSEMBLY (iR3245/3235/3230 Series)

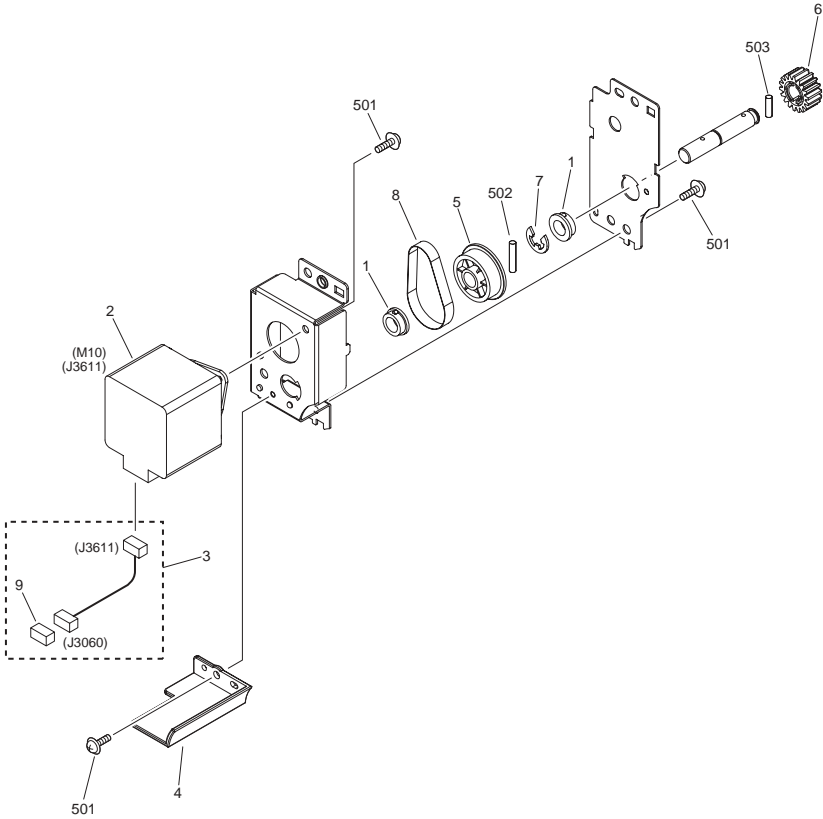


FIGURE & KEY NO.	PARTS NUMBER	R A N K	Q'TY	DESCRIPTION	SERIAL NUMBER/ REMARKS	S V C
Fig.261	NPN		RF	DUPLEXING DRIVE ASSEMBLY	iR3245,3235,3230 Series	
1	FA9-2112-000		2	BUSHING, PL		
2	FL2-3266-000		1	MOTOR,STEPPING,DC	M10	
3	FM2-2838-000		1	CABLE, DUPLEXING MOTOR		
4	FC5-7257-000		1	COVER, DUPLEX CONNECTOR		
5	FU6-0024-000		1	PULLEY, 40T		
6	FU6-0029-000		1	GEAR, 18T		
7	XD9-0137-010		1	RING, E		
8	XF2-1605-760		1	BELT, TIMING		
9	VS1-7177-004		1	CONNECTOR, SNAP TIGHT, BK		
501	XB6-7300-607		4	SCREW, CROSS-RECESS, FCH		
502	XD3-2200-182		1	PIN, DOWEL		
503	XD3-2200-122		1	PIN, DOWEL		

# FIGURE 281 FIXING DELIVERY DRIVE ASSEMBLY

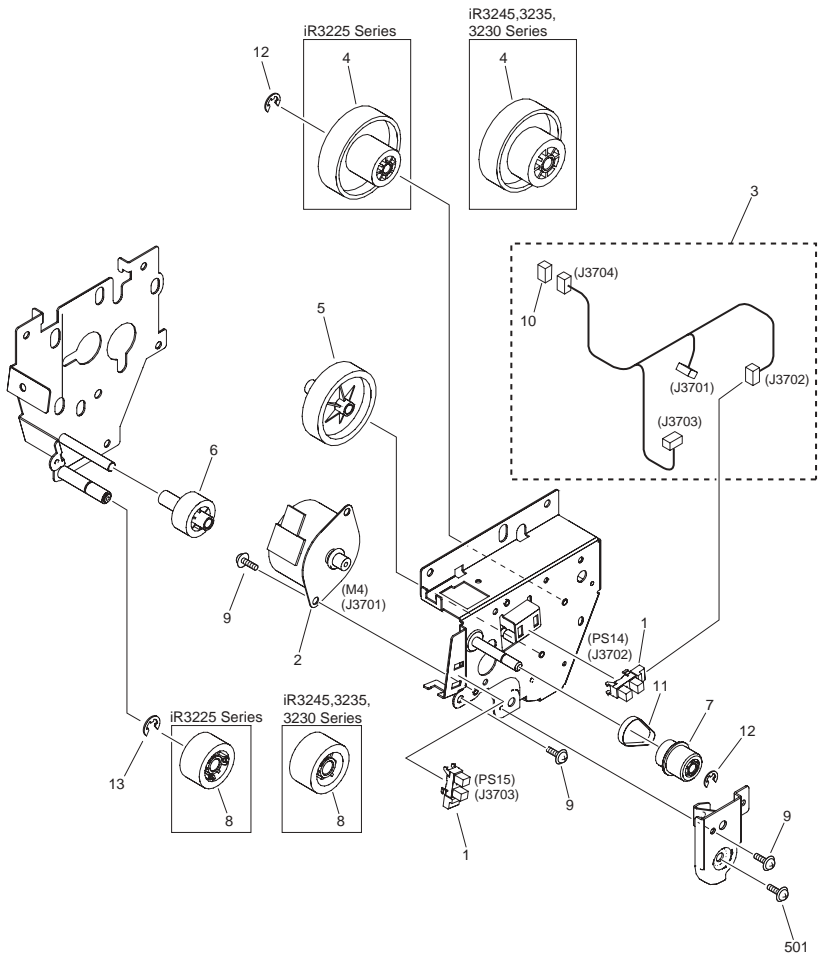
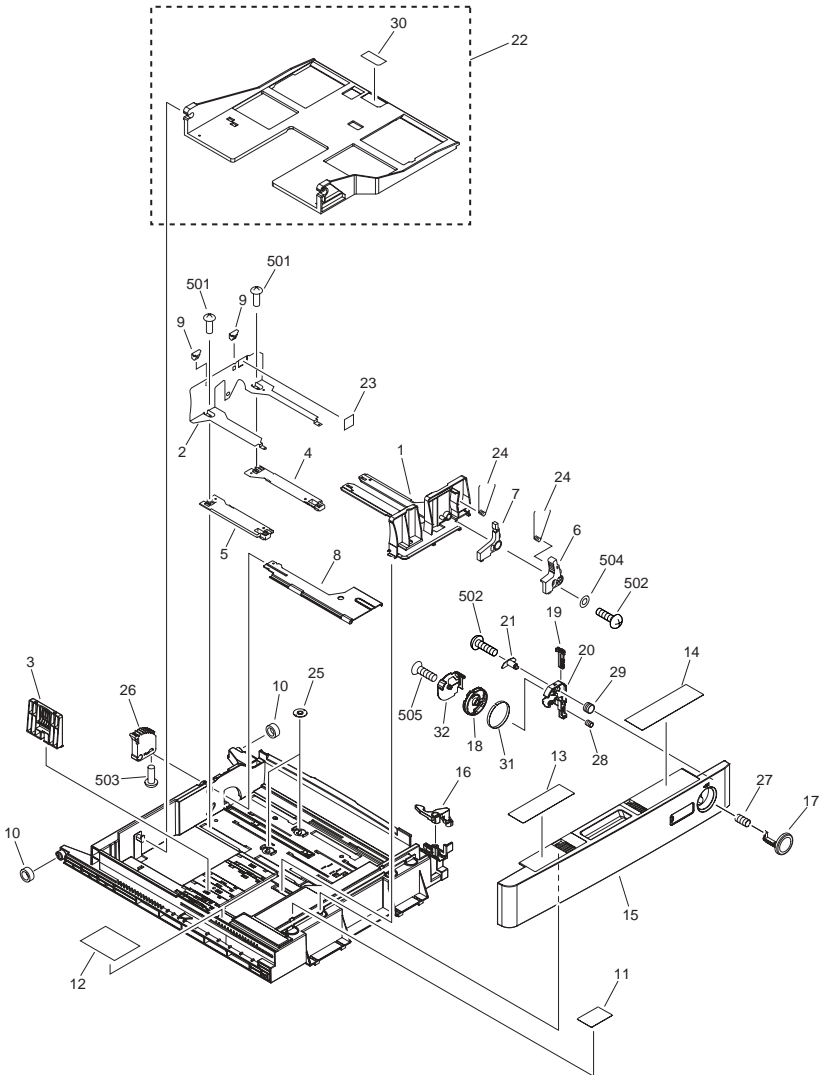


FIGURE & KEY NO.	PARTS NUMBER	R A N K	Q'TY	DESCRIPTION	SERIAL NUMBER/ REMARKS	S V C
Fig.281	FM2-1771-000		1	FIXING DELIVERY DRIVE ASSEMBLY	iR3245,3235,3230 Series	
Fig.281	FM2-0242-000		1	FIXING DELIVERY DRIVE ASSEMBLY	iR3225 Series	
1	WG8-5783-000		2	PHOTO-INTERRUPTER, TLP1252(C6)	PS14,PS15	
2	FK2-0365-000		1	MOTOR, STEPPING, DC	M4	
3	FM2-2816-000		1	CABLE, FIXING DRIVE		
4	FU6-0019-000		1	GEAR, 24T	iR3245,3235,3230 Series	
4	FU5-0095-000		1	GEAR, 17T/103T	iR3225 Series	
5	FU5-0096-000		1	GEAR, 36T		
6	FU5-0097-000		1	GEAR, 17T		
7	FU5-0101-000		1	GEAR, 20T/PULLEY 28T		
8	FU6-0020-000		1	GEAR, 24T	iR3245,3235,3230 Series	
8	FU5-0126-000		1	GEAR, 21T	iR3225 Series	
9	XA9-1164-000		6	SCREW,RS,M3X6.5		
10	VS1-7173-010		1	CONNECTOR, SNAP TIGHT, 10P, W		
11	XF2-4104-040		1	BELT, TIMING		
12	XD9-0136-000		2	RING, E		
13	XD9-0137-010		1	RING, E		
501	XB6-7300-609		1	SCREW, MACH,PAN HEAD, M3X8		

# FIGURE 300 CASSETTE 1

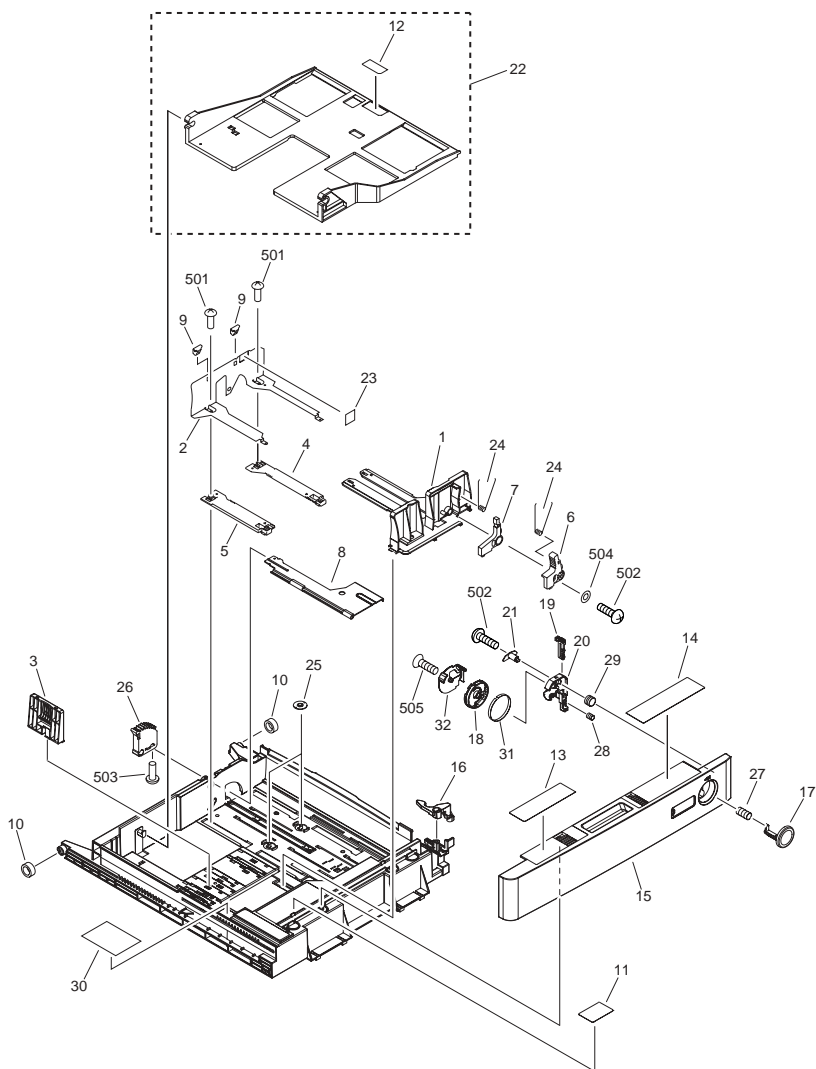


NOTE : Several kinds of labels are attached on the board for the parts of Key No. 31. The same parts as Fig-Key No. 301-31  
 注 : Key No. 31の部品は台紙に数種類のラベルが付いています。Fig-Key No. 301-31と同一部品です。

FIGURE & KEY NO.	PARTS NUMBER	R A N K	Q'TY	DESCRIPTION	SERIAL NUMBER/ REMARKS	S V C
Fig.300	FM2-0141-000		1	CASSETTE		
1	FB6-3478-000		1	PLATE, SIDE GUIDE, FRONT		
2	FB6-3479-000		1	PLATE, SIDE GUIDE, REAR		
3	FB6-3480-000		1	PLATE, END GUIDE		
4	FB6-3481-000		1	RACK, 1		
5	FB6-3482-000		1	RACK, 2		
6	FB6-3483-000		1	KNOB, SIDE GUIDE PLATE, 1		
7	FB6-3484-000		1	KNOB, SIDE GUIDE PLATE, 2		
8	FB6-3486-000		1	PLATE, LIFTER		
9	FB6-3490-000		2	CLAW, SIDE PLATE GUIDE		
10	FB6-3506-000		2	COLLAR, CASSETTE SWING		
11	FC5-0583-000		1	LABEL, PAPER SET		
12	FC5-0585-000		1	LABEL, PAPER SET CAUTION		
13	FC5-0591-000		1	LABEL, SIZE CHANGE		
14	FC5-0598-000		1	LABEL, DIAL SET		
15	FC5-0622-000		1	PANEL, CASSETTE FRONT		
16	FC5-0635-000		1	ARM, LOCK		
17	FC5-0636-000		1	BUTTON, PUSH		
18	FC5-1422-020		1	DIAL, SIZE DETECT		
19	FC5-1423-000		1	SLIDER, CONVERT		
20	FC5-1424-020		1	HOLDER, DIAL		
21	FC5-1425-000		1	PIN, FLOAT GUIDE		
22	FF6-2064-020		1	PLATE, PAPER LIFTING		
23	FS6-8116-000		1	LABEL, "PAPER HEIGHT"		
24	FS7-2805-000		2	SPRING, TORSION		
25	FU3-0293-000		2	GEAR, 16T		
26	FU3-0294-000		1	GEAR, 7T		
27	FU5-2032-000		1	SPRING, COMPRESSION		
28	FU5-2097-000		1	SPRING, COMPRESSION		
29	FU5-2104-000		1	SPRING, COMPRESSION		
30	FB6-3499-000		1	SHEET, SEPARATION		
31	FC5-7216-020		1	LABEL, CASSETTE SIZE, DIAL	SEE NOTE	

FIGURE & KEY NO.	PARTS NUMBER	R A N K	Q'TY	DESCRIPTION	SERIAL NUMBER/ REMARKS	S V C
32	FC8-1206-000		1	PROTECTOR, DIAL		
501	XB2-8300-607		4	SCREW, M3X6, S		
502	XB4-5300-807		2	SCREW, P, M3X8		
503	XB6-7300-807		1	SCREW, TP, M3X8		
504	XD1-1104-135		1	WASHER,COP		
505	XB1-3301-207		1	SCREW,MACH.,C.S. HEAD,M3X12		

# FIGURE 301 CASSETTE 2



NOTE : Several kinds of labels are attached on the board for the parts of Key No. 31. The same parts as Fig-Key No. 300-31  
 注 : Key No. 31の部品は台紙に数種類のラベルが付いています。Fig-Key No. 300-31と同一部品です。



FIGURE & KEY NO.	PARTS NUMBER	R A N K	Q'TY	DESCRIPTION	SERIAL NUMBER/ REMARKS	S V C
Fig.301	FM2-0142-000		1	CASSETTE		
1	FB6-3478-000		1	PLATE, SIDE GUIDE, FRONT		
2	FB6-3479-000		1	PLATE, SIDE GUIDE, REAR		
3	FB6-3480-000		1	PLATE, END GUIDE		
4	FB6-3481-000		1	RACK, 1		
5	FB6-3482-000		1	RACK, 2		
6	FB6-3483-000		1	KNOB, SIDE GUIDE PLATE, 1		
7	FB6-3484-000		1	KNOB, SIDE GUIDE PLATE, 2		
8	FB6-3486-000		1	PLATE, LIFTER		
9	FB6-3490-000		2	CLAW, SIDE PLATE GUIDE		
10	FB6-3506-000		2	COLLAR, CASSETTE SWING		
11	FC5-0583-000		1	LABEL, PAPER SET		
12	FB6-3499-000		1	SHEET, SEPARATION		
13	FC5-0584-000		1	LABEL, SIZE CHANGE		
14	FC5-0598-000		1	LABEL, DIAL SET		
15	FC5-0624-000		1	PANEL, CASSETTE FRONT		
16	FC5-0605-000		1	ARM, LOCK		
17	FC5-0637-000		1	BUTTON, PUSH		
18	FC5-1422-020		1	DIAL, SIZE DETECT		
19	FC5-1423-000		1	SLIDER, CONVERT		
20	FC5-1424-020		1	HOLDER, DIAL		
21	FC5-1425-000		1	PIN, FLOAT GUIDE		
22	FF6-2064-020		1	PLATE, PAPER LIFTING		
23	FS6-8116-000		1	LABEL, "PAPER HEIGHT"		
24	FS7-2805-000		2	SPRING, TORSION		
25	FU3-0293-000		2	GEAR, 16T		
26	FU3-0294-000		1	GEAR, 7T		
27	FU5-2033-000		1	SPRING, COMPRESSION		
28	FU5-2097-000		1	SPRING, COMPRESSION		
29	FU5-2104-000		1	SPRING, COMPRESSION		
30	FB6-3524-000		1	LABEL, PAPER SIZE SELECT		
31	FC5-7216-020		1	LABEL, CASSETTE SIZE, DIAL	SEE NOTE	

FIGURE & KEY NO.	PARTS NUMBER	R A N K	Q'TY	DESCRIPTION	SERIAL NUMBER/ REMARKS	S V C
32	FC8-1206-000		1	PROTECTOR, DIAL		
501	XB2-8300-607		4	SCREW, M3X6, S		
502	XB4-5300-807		2	SCREW, P, M3X8		
503	XB6-7300-807		1	SCREW, TP, M3X8		
504	XD1-1104-135		1	WASHER,COP		
505	XB1-3301-207		1	SCREW,MACH.,C.S. HEAD,M3X12		

FIGURE 310  
PAPER PICK-UP ASSEMBLY 1

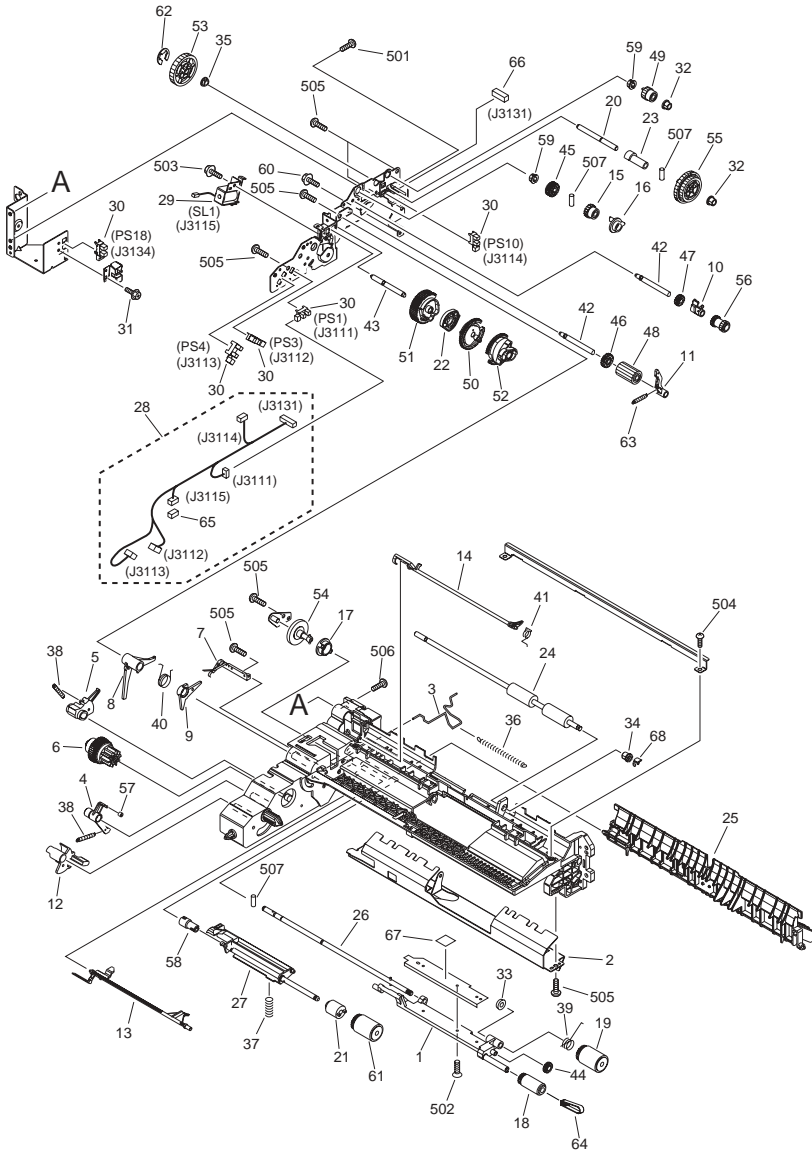


FIGURE & KEY NO.	PARTS NUMBER	R A N K	Q'TY	DESCRIPTION	SERIAL NUMBER/ REMARKS	S V C
Fig.310	FM3-0009-000		1	PAPER PICK-UP ASSEMBLY		
1	FB6-3380-020		1	HOLDER, PAPER PICK-UP ROLLER		
2	FB6-3386-010		1	GUIDE, RETARD		
3	FB6-3388-000		1	ROD, SEPARATION ROLLER RELEASE		
4	FB6-3389-000		1	CLAW, PICK-UP		
5	FC8-1178-000		1	CLAW, PAPER PICK-UP		
6	FB6-3391-000		1	GEAR, RATCHET		
7	FB6-3392-020		1	SPRING, LEAF		
8	FC8-1179-000		1	ARM, PICK-UP		
9	FB6-3394-000		1	ARM, LIFTING		
10	FB6-3395-000		1	ARM, PAPER FEED SHAFT		
11	FB6-3396-010		1	LOCK, PICK-UP		
12	FB6-3397-000		1	FLAG, PAPER SENSOR		
13	FB6-3398-000		1	FLAG, PAPER DETECT SENSOR		
14	FL2-6580-000		1	FLAG, REGISTRATION SENSOR		
15	FB6-3402-000		1	GEAR, RATCHET		
16	FB6-3403-000		1	COUPLING, FEED SHAFT STOP		
17	FB6-3404-000		1	COUPLING, SEPARATION SHAFT		
18	FB6-3405-000		1	ROLLER, PAPER PICK-UP		
19	FC6-7083-000		1	ROLLER, FEED/SEPARATION		
20	FB6-3408-000		1	SHAFT, PAPER PICK-UP DRIVE		
21	FB6-3410-000		1	LIMITER, TORQUE		
22	FB6-7078-000		1	CAM, LOCK		
23	FB6-3413-000		1	COLLAR, PAPER PICK-UP SHAFT		
24	FB6-4852-000		1	ROLLER, VERTICAL PATH		
25	FC5-0595-010		1	GUIDE, VERTICAL PATH		
26	FF6-2058-000		1	SHAFT, PAPER FEED ROLLER		
27	FF6-2059-010		1	HOLDER, SEPARATION ROLLER		
28	FG3-2302-020		1	CABLE, PAPER PICK-UP		
29	FK2-0408-000		1	SOLENOID	SL1	
30	FK2-0149-000		4	IC, EE-SX4235A-P2,	PS1,PS3,PS4,PS10,PS18	
31	XA9-1386-000		1	SCREW,RS,M3X8		

FIGURE & KEY NO.	PARTS NUMBER	R A N K	Q'TY	DESCRIPTION	SERIAL NUMBER/ REMARKS	S V C
32	FU5-1033-000		2	BUSHING		
33	FS5-1943-000		1	BUSHING		
34	FU5-1763-000		1	BUSHING		
35	FS6-1063-000		1	BUSHING		
36	FS7-2797-000		1	SPRING, TENSION		
37	FU6-2684-000		1	SPRING, COMPRESSION		
38	FS7-2800-000		2	SPRING, TENSION		
39	FS7-2801-000		1	SPRING, TORSION		
40	FS7-2802-000		1	SPRING, TORSION		
41	FS7-2803-000		1	SPRING, TORSION		
42	FS7-5909-000		2	SHAFT, IDLER, 2		
43	FS7-5910-000		1	SHAFT, IDLER, 3		
44	FU3-0280-000		1	GEAR, 15T		
45	FU3-0282-000		1	GEAR, 21T		
46	FU3-0283-000		1	GEAR, 21T		
47	FU3-0284-000		1	GEAR, 16T		
48	FU3-0288-000		1	GEAR, 21T		
49	FU3-0289-000		1	GEAR, 14T		
50	FF6-2397-000		1	GEAR, 46T		
51	FU7-0848-000		1	GEAR, 51T		
52	FU7-0445-000		1	GEAR, 42T		
53	FU3-0347-000		1	GEAR, 41T		
54	FU3-0349-000		1	GEAR, 41T		
55	FU3-0350-000		1	GEAR, 41T/41T		
56	FU6-0710-000		1	GEAR, 16T/16T		
57	FC8-1202-000		1	DAMPER		
58	RB1-8945-000		1	JOINT		
59	RS5-1567-000		2	BUSHING		
60	XA9-0656-000		1	SCREW,RS,M3X10		
61	FC6-6661-000		1	ROLLER, SEPARATION		
62	XD9-0136-000		1	RING, E		
63	FU6-2784-000		1	SPRING, TENSION		

FIGURE & KEY NO.	PARTS NUMBER	R A N K	Q'TY	DESCRIPTION	SERIAL NUMBER/ REMARKS	S V C
64	FC7-5845-000		1	STOPPER, ROLLER		
65	VS1-7177-002		1	CONNECTOR, SNAP TIGHT, BK		
66	VS1-7173-014		1	CONNECTOR, SNAP TIGHT, 14P, W		
67	FC8-1205-000		1	PAD, PAPER PICK-UP HOLDER		
68	FC6-9867-000		1	RING, RETAINING		
501	XB1-2300-807		1	SCREW, CROSS-RECESS, FCH		
502	XB1-3300-607		3	SCREW, FTH3X6		
503	XB3-6300-605		2	SCREW,RS,M3X6		
504	XB4-5400-807		2	SCREW,P,M4X8		
505	XB4-5401-207		7	SCREW,P,M4X12		
506	XB1-2400-607		2	SCREW, CROSS-RECESS, FCH		
507	XD3-2200-122		3	PIN, DOWEL		

FIGURE 311  
 PAPER PICK-UP ASSEMBLY 2

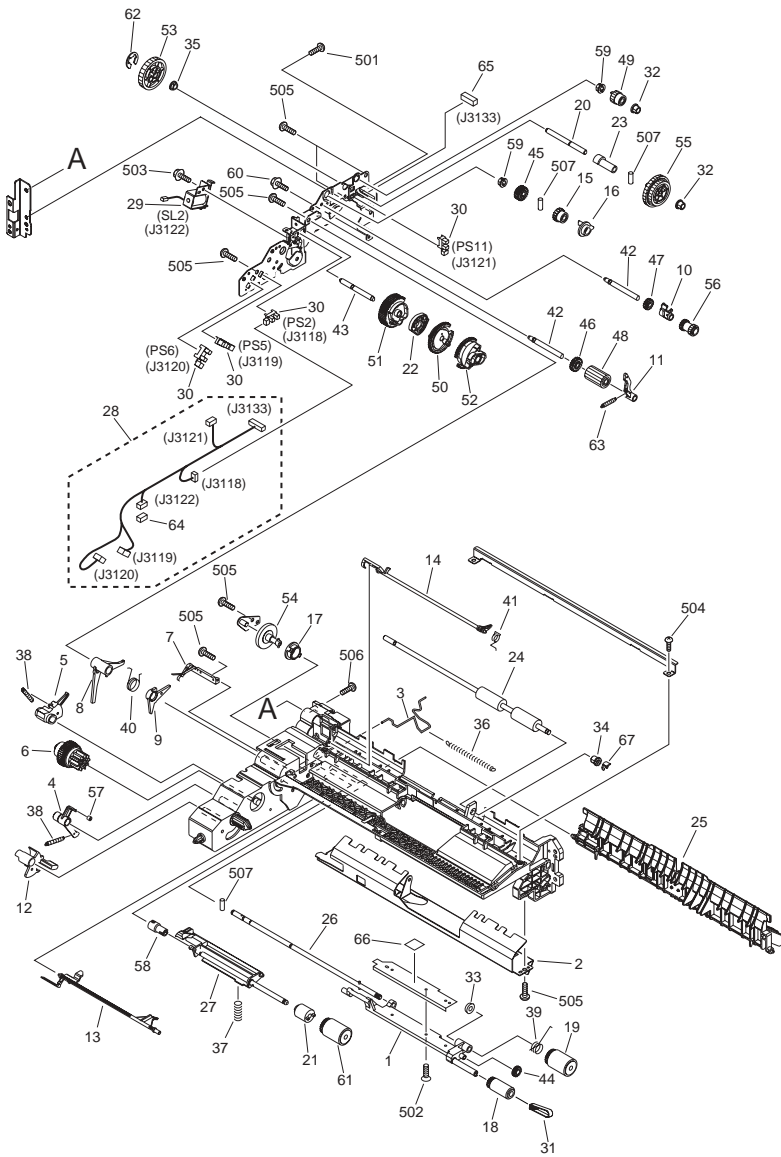


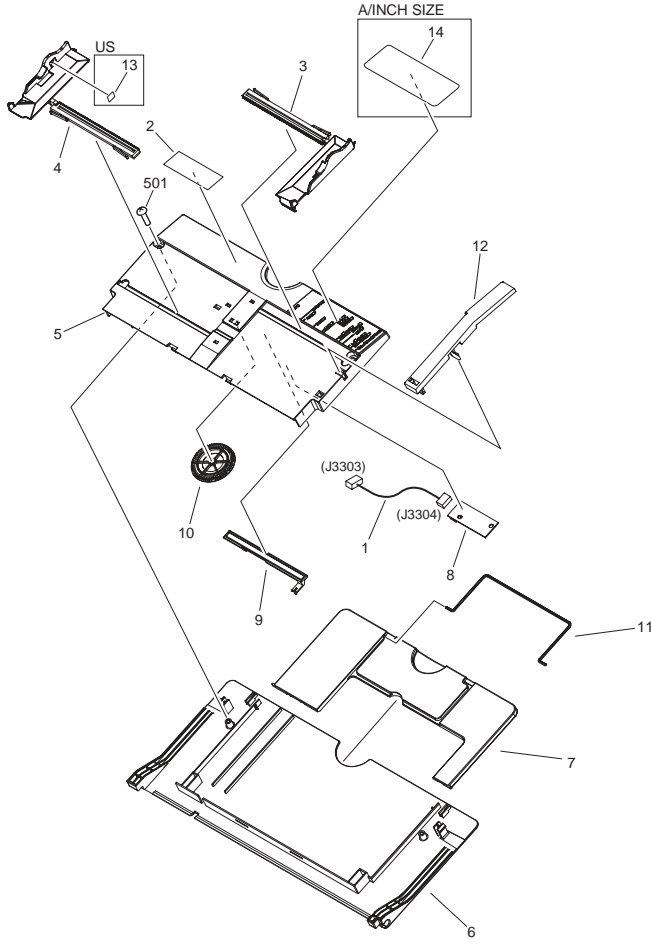
FIGURE & KEY NO.	PARTS NUMBER	R A N K	Q'TY	DESCRIPTION	SERIAL NUMBER/ REMARKS	S V C
Fig.311	FM2-1578-130		1	PAPER PICK-UP ASSEMBLY		
1	FB6-3380-020		1	HOLDER, PAPER PICK-UP ROLLER		
2	FB6-3386-010		1	GUIDE, RETARD		
3	FB6-3388-000		1	ROD, SEPARATION ROLLER RELEASE		
4	FB6-3389-000		1	CLAW, PICK-UP		
5	FC8-1178-000		1	CLAW, PAPER PICK-UP		
6	FB6-3391-000		1	GEAR, RATCHET		
7	FB6-3392-020		1	SPRING, LEAF		
8	FC8-1179-000		1	ARM, PICK-UP		
9	FB6-3394-000		1	ARM, LIFTING		
10	FB6-3395-000		1	ARM, PAPER FEED SHAFT		
11	FB6-3396-010		1	LOCK, PICK-UP		
12	FB6-3397-000		1	FLAG, PAPER SENSOR		
13	FB6-3398-000		1	FLAG, PAPER DETECT SENSOR		
14	FL2-6580-000		1	FLAG, REGISTRATION SENSOR		
15	FB6-3402-000		1	GEAR, RATCHET		
16	FB6-3403-000		1	COUPLING, FEED SHAFT STOP		
17	FB6-3404-000		1	COUPLING, SEPARATION SHAFT		
18	FB6-3405-000		1	ROLLER, PAPER PICK-UP		
19	FC6-7083-000		1	ROLLER, FEED/SEPARATION		
20	FB6-3408-000		1	SHAFT, PAPER PICK-UP DRIVE		
21	FB6-3410-000		1	LIMITER, TORQUE		
22	FB6-7078-000		1	CAM, LOCK		
23	FB6-3413-000		1	COLLAR, PAPER PICK-UP SHAFT		
24	FB6-4852-000		1	ROLLER, VERTICAL PATH		
25	FB6-3387-000		1	GUIDE, VERTICAL PATH		
26	FF6-2058-000		1	SHAFT, PAPER FEED ROLLER		
27	FF6-2059-010		1	HOLDER, SEPARATION ROLLER		
28	FG3-2302-020		1	CABLE, PAPER PICK-UP		
29	FK2-0408-000		1	SOLENOID	SL2	
30	FK2-0149-000		4	IC, EE-SX4235A-P2,	PS2,PS5,PS6,PS11	
31	FC7-5845-000		1	STOPPER, ROLLER		



FIGURE & KEY NO.	PARTS NUMBER	R A N K	Q'TY	DESCRIPTION	SERIAL NUMBER/ REMARKS	S V C
32	FU5-1033-000		2	BUSHING		
33	FS5-1943-000		1	BUSHING		
34	FU5-1763-000		1	BUSHING		
35	FS6-1063-000		1	BUSHING		
36	FS7-2797-000		1	SPRING, TENSION		
37	FU6-2684-000		1	SPRING, COMPRESSION		
38	FS7-2800-000		2	SPRING, TENSION		
39	FS7-2801-000		1	SPRING, TORSION		
40	FS7-2802-000		1	SPRING, TORSION		
41	FS7-2803-000		1	SPRING, TORSION		
42	FS7-5909-000		2	SHAFT, IDLER, 2		
43	FS7-5910-000		1	SHAFT, IDLER, 3		
44	FU3-0280-000		1	GEAR, 15T		
45	FU3-0282-000		1	GEAR, 21T		
46	FU3-0283-000		1	GEAR, 21T		
47	FU3-0284-000		1	GEAR, 16T		
48	FU3-0288-000		1	GEAR, 21T		
49	FU3-0289-000		1	GEAR, 14T		
50	FF6-2397-000		1	GEAR, 46T		
51	FU7-0848-000		1	GEAR, 51T		
52	FU7-0445-000		1	GEAR, 42T		
53	FU3-0347-000		1	GEAR, 41T		
54	FU3-0349-000		1	GEAR, 41T		
55	FU3-0350-000		1	GEAR, 41T/41T		
56	FU6-0710-000		1	GEAR, 16T/16T		
57	FC8-1202-000		1	DAMPER		
58	RB1-8945-000		1	JOINT		
59	RS5-1567-000		2	BUSHING		
60	XA9-0656-000		1	SCREW,RS,M3X10		
61	FC6-6661-000		1	ROLLER, SEPARATION		
62	XD9-0136-000		1	RING, E		
63	FU6-2784-000		1	SPRING, TENSION		

FIGURE & KEY NO.	PARTS NUMBER	R A N K	Q'TY	DESCRIPTION	SERIAL NUMBER/ REMARKS	S V C
64	VS1-7177-002		1	CONNECTOR, SNAP TIGHT, BK		
65	VS1-7173-014		1	CONNECTOR, SNAP TIGHT, 14P, W		
66	FC8-1205-000		1	PAD, PAPER PICK-UP HOLDER		
67	FC6-9867-000		1	RING, RETAINING		
501	XB1-2300-807		1	SCREW, CROSS-RECESS, FCH		
502	XB1-3300-607		3	SCREW, FTH3X6		
503	XB3-6300-605		2	SCREW,RS,M3X6		
504	XB4-5400-807		2	SCREW,P,M4X8		
505	XB4-5401-207		7	SCREW,P,M4X12		
506	XB1-2400-607		2	SCREW, CROSS-RECESS, FCH		
507	XD3-2200-122		3	PIN, DOWEL		

# FIGURE 315 MULTI FEED TRAY ASSEMBLY



NOTE 1 : This assembly is included in the assembly shown in Figure 115.  
 NOTE 2 : This assembly does not include the parts shown with key No. 2, 12, 13 and 14.  
 注 1 : このユニットはFigure 115のユニットに含まれます。  
 注 2 : このユニットにKey No. 2, 12, 13, 14の部品は含まれません。

FIGURE & KEY NO.	PARTS NUMBER	R A N K	Q'TY	DESCRIPTION	SERIAL NUMBER/REMARKS	S V C
Fig.315	FM2-5540-000		1	MULTI FEED TRAY ASSEMBLY	SEE NOTE	
1	FG3-3187-000		1	CABLE, PAPER WIDTH SENSOR		
2	FU5-8795-000		1	LABEL, PAPER SET INSTRUCTION	SEE NOTE	
3	FC6-9606-000		1	PLATE, PAPER SIDE END, FRONT		
4	FC6-9607-000		1	PLATE, PAPER SIDE END, REAR		
5	FC5-0479-030		1	TRAY, MULTI FEED, UPPER		
6	FC7-9522-000		1	TRAY, MULTI FEED, LOWER		
7	FC5-0481-000		1	TRAY, MULTI FEED AUXILIARY		
8	FM2-2768-000		1	MULTI FEED SIZE PCB ASSEMBLY		
9	FU5-0063-000		1	RACK, MULTI FEED SIZE DETECT		
10	FU5-0062-000		1	GEAR, 18T/62T		
11	FC5-0546-000		1	TRAY, WIRE AUXILIARY		
12	FC7-1740-000		1	COVER	SEE NOTE	
13	FC5-0544-000		1	LABEL, MAXIMUM LOAD	SEE NOTE US	
14	FC5-7217-000		1	LABEL, PAPER SIZE	SEE NOTE A/INCH SIZE	
501	XB4-5401-007		2	SCREW, M4X10		

# FIGURE 350 PAPER DELIVERY ASSEMBLY

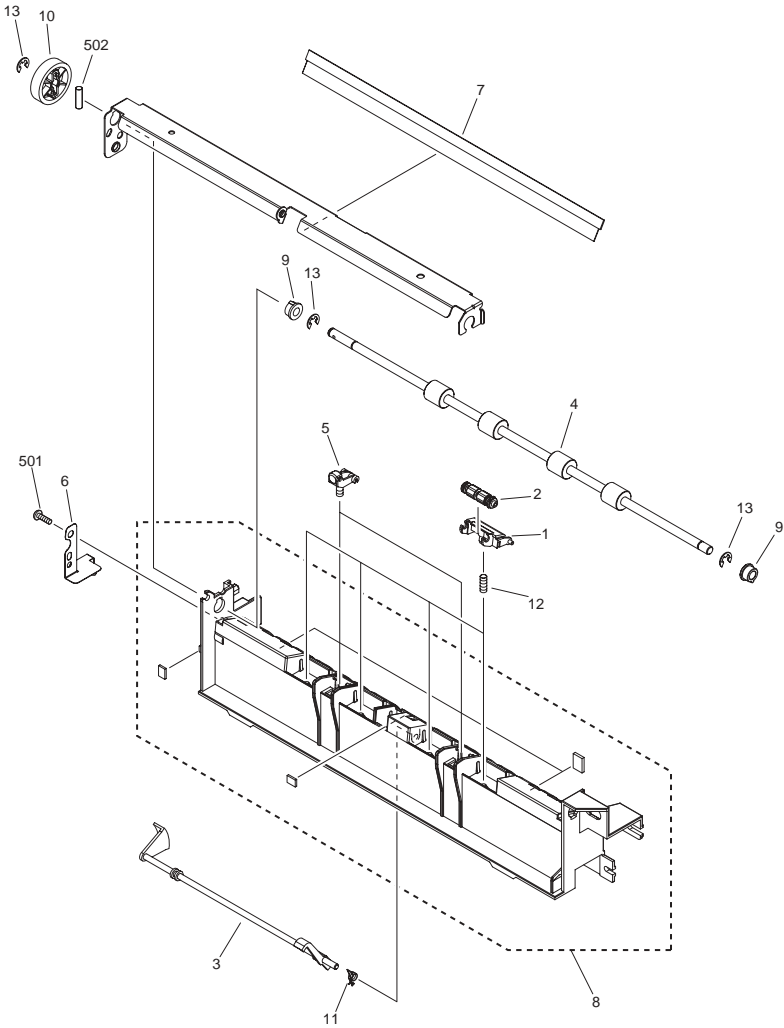


FIGURE & KEY NO.	PARTS NUMBER	R A N K	Q'TY	DESCRIPTION	SERIAL NUMBER/ REMARKS	S V C
Fig.350	FM2-3265-000		1	PAPER DELIVERY ASSEMBLY		
1	FC6-2915-000		4	HOLDER,ROLLER		
2	FM2-0177-000		4	O RING ROLLER UNIT		
3	FL2-0351-000		1	FLAG, 1ST DELIVERY SENSOR		
4	FC5-0800-000		1	ROLLER, PAPER DELIVERY		
5	FF6-0345-000		2	DELIVERY COLLAR UNIT		
6	FC5-0806-000		1	PLATE, GROUNDING		
7	FC6-4009-000		1	ELIMINATOR,STATIC CHARGE		
8	FL2-0379-000		1	GUIDE, PAPER DELIVERY		
9	FS5-1943-000		2	BUSHING		
10	FU5-0128-000		1	GEAR, 35T		
11	FU5-2068-030		1	SPRING, TORSION		
12	FU5-2074-000		4	SPRING, COMPRESSION		
13	XD9-0136-000		3	RING, E		
501	XB4-5400-807		1	SCREW,P,M4X8		
502	XD3-2200-162		1	PIN, PARALLEL		

# FIGURE 351 2ND/3RD DELIVERY ASSEMBLY

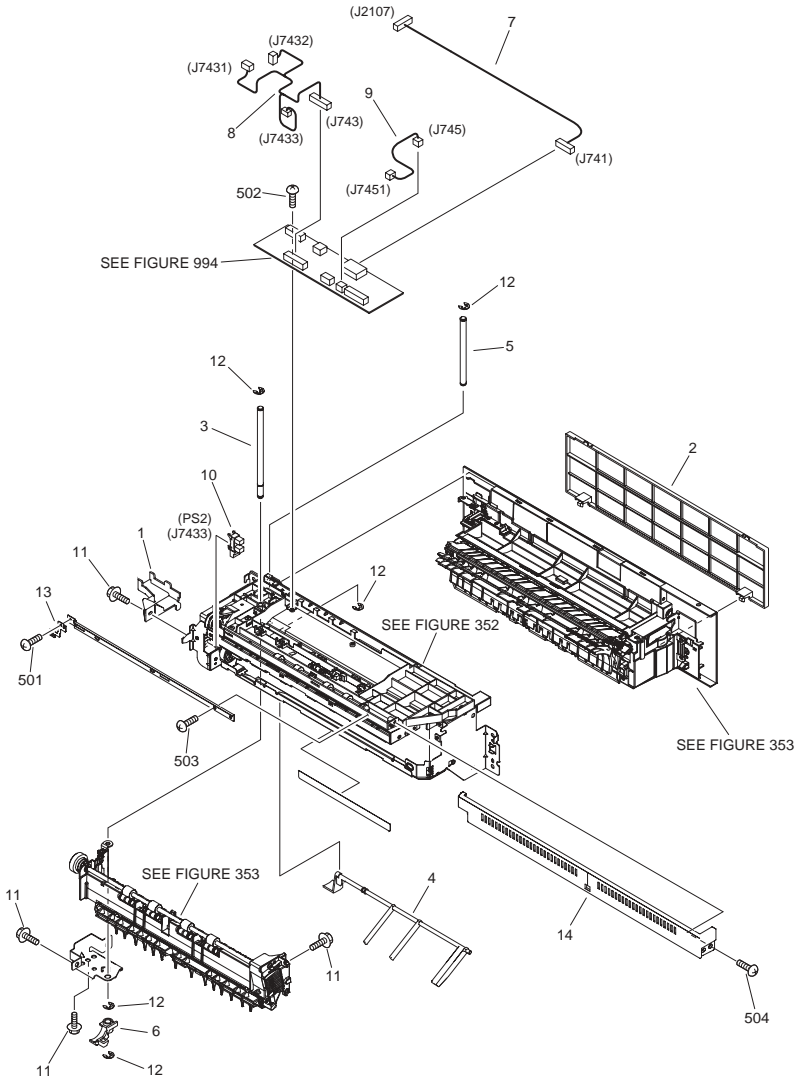


FIGURE & KEY NO.	PARTS NUMBER	R A N K	Q'TY	DESCRIPTION	SERIAL NUMBER/ REMARKS	S V C
Fig.351	NPN		RF	2ND/3RD DELIVERY ASSEMBLY		
1	FC5-0859-000		1	COVER, CONNECTOR		
2	FC5-0888-020		1	PANEL, 2ND DELIVERY BLANKING		
3	FC5-0978-020		1	SHAFT, 2ND DELIVERY HINGE		
4	FC7-4467-000		1	FLAG, PAPER FULL SENSOR		
5	FC5-1019-020		1	SHAFT, 3RD DELIVERY HINGE		
6	FC5-6011-000		1	COVER, GEAR		
7	FG3-3294-000		1	CABLE, INTERFACE		
8	FG3-3297-000		1	CABLE, MOTOR		
9	FG3-3301-000		1	CABLE, SENSOR		
10	FH7-7557-020		1	IC,LG-248L1, PHOTO-INTERRUPTER	PS2	
11	XA9-1386-000		5	SCREW,RS,M3X8		
12	XD9-0136-000		5	RING, E		
13	FC7-2178-000		1	PLATE, GROUNDING		
14	FC5-6004-000		1	COVER, PROTECTIVE		
501	XB1-2300-405		1	SCREW, MACH. BH, M3X4		
502	XB4-5300-805		2	SCREW,P,M3X8		
503	XB4-5400-805		1	SCREW,P,M4X8		
504	XB4-5400-807		1	SCREW,P,M4X8		



# FIGURE 352 2ND UPPER DELIVERY ASSEMBLY

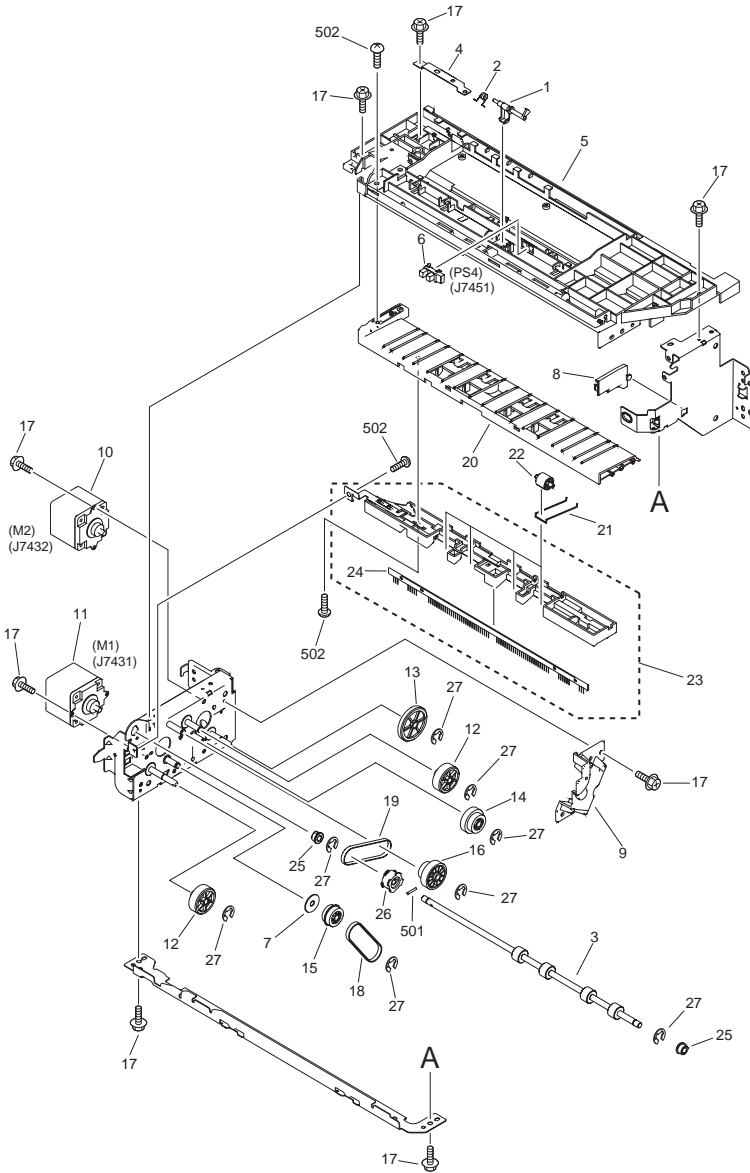


FIGURE & KEY NO.	PARTS NUMBER	R A N K	Q'TY	DESCRIPTION	SERIAL NUMBER/ REMARKS	S V C
Fig.352	FM2-1328-050		1	2ND UPPER DELIVERY ASSEMBLY		
1	FC5-0987-000		1	FLAG, REVERSE SENSOR		
2	FC5-0988-000		1	SPRING, TORSION		
3	FC5-0989-020		1	ROLLER, REVERSE		
4	FC5-1025-000		1	PLATE, GROUNDING		
5	FC5-1038-000		1	GUIDE, 2ND DELIVERY, UPPER		
6	FH7-7557-020		1	IC,LG-248L1, PHOTO-INTERRUPTER	PS4	
7	FB5-4754-000		1	SPACER		
8	FC5-0870-000		1	GUIDE, SLIDE		
9	FC5-6010-000		1	COVER, GEAR, 1		
10	FH5-1021-010		1	MOTOR, STEPPING, AC	M2	
11	FH5-1108-010		1	MOTOR, STEPPING, AC	M1	
12	FU5-0054-000		2	GEAR, 35T		
13	FU5-0077-000		1	GEAR, 46T		
14	FU5-0078-000		1	GEAR, 30T/24T		
15	FU5-3020-000		1	GEAR, 24T/PULLEY, 30T		
16	FU5-3022-000		1	PULLEY, 30T/GEAR, 35T		
17	XA9-1386-000		AR	SCREW,RS,M3X8		
18	XF2-4104-240		1	BELT, TIMING, COGGED		
19	XF2-4108-240		1	BELT, TIMING, COGGED		
20	FC5-0985-020		1	GUIDE, REVERSE LOWER		
21	FC5-0991-000		4	SPRING		
22	FC5-1013-000		4	ROLLER		
23	FL2-1200-000		1	GUIDE, REVERSE LOWER AUXILIARY		
24	FC5-6003-000		1	ELIMINATOR, STATIC-CHARGE		
25	FS5-1943-000		2	BUSHING		
26	FU5-3021-000		1	PULLEY, 30T		
27	XD9-0136-000		8	RING, E		
501	XD3-2200-122		1	PIN, DOWEL		
502	XB4-5401-205		6	SCREW,P,M4X12		

# FIGURE 353 2ND DELIVERY FRAME ASSEMBLY

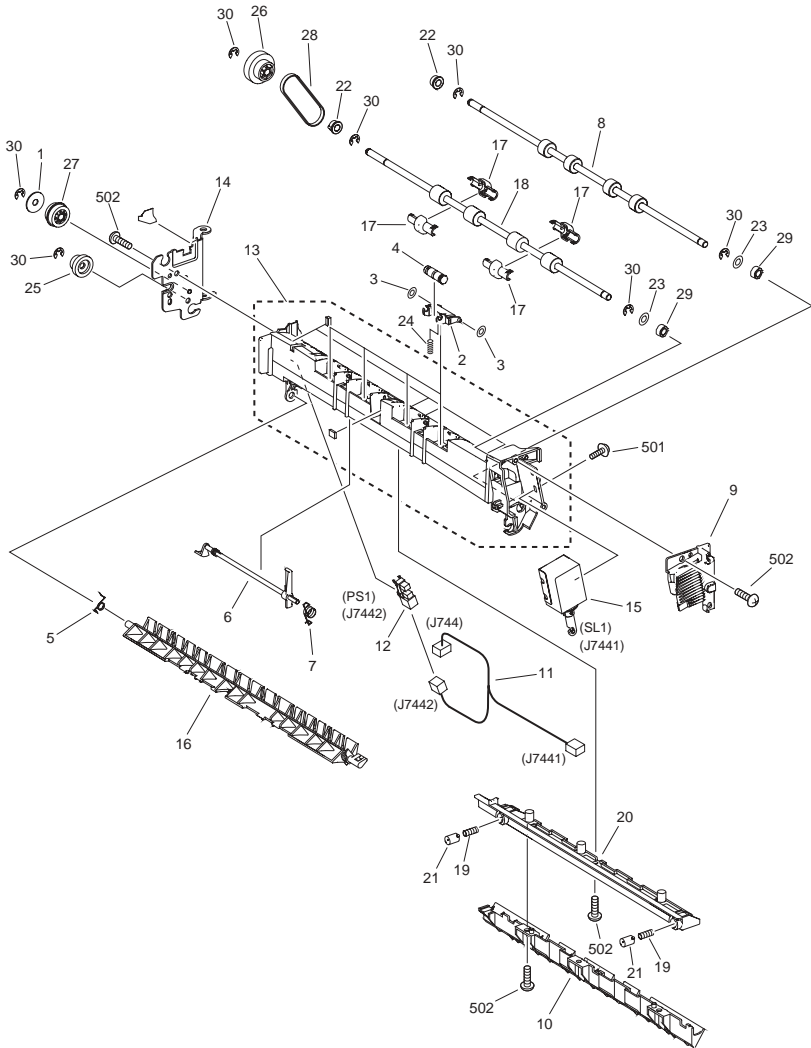


FIGURE & KEY NO.	PARTS NUMBER	RANK	Q'TY	DESCRIPTION	SERIAL NUMBER/REMARKS	SVC
Fig.353	FM2-1331-080		1	2ND DELIVERY FRAME ASSEMBLY		
1	FB5-4754-000		1	SPACER		
2	FC6-2915-000		4	HOLDER,ROLLER		
3	FC6-5061-000		8	RING		
4	FC6-4012-000		4	ROLLER, PAPER DELIVERY		
5	FC5-0974-000		1	SPRING, TORSION		
6	FC5-0996-000		1	FLAG, 2ND DELIVERY SENSOR		
7	FC5-0997-000		1	SPRING, TORSION		
8	FC5-1017-000		1	ROLLER, 2ND VERTICAL PATH		
9	FC5-1053-000		1	COVER, SOLENOID, 1		
10	FC5-5474-000		1	GUIDE, 2ND DELIVERY ENTRANCE		
11	FG3-3299-020		1	CABLE,2ND PAPER DELIVERY		
12	FH7-7557-020		1	IC,LG-248L1, PHOTO-INTERRUPTER	PS1	
13	FL2-1201-040		1	GUIDE, 2ND PAPER DELIVERY		
14	FL2-1202-000		1	HINGE, 2ND DELIVERY		
15	FL2-1203-010		1	SOLENOID	SL1	
16	FC5-0999-030		1	FLAPPER, 1ST PAPER DELIVERY		
17	FC5-0805-000		4	ROLLER, REFORM		
18	FC5-0998-000		1	ROLLER, 2ND PAPER DELIVERY		
19	FC5-0871-000		2	SPRING, COMPRESSION		
20	FC5-0873-000		1	COVER, 2ND DELIVERY FRAME		
21	FC5-6014-000		2	CAP, SPRING		
22	FS5-1943-000		2	BUSHING		
23	FS5-6488-000		2	WASHER		
24	FS7-2859-000		4	SPRING, COMPRESSION		
25	FU5-0076-000		1	GEAR, 24T		
26	FU5-3019-000		1	PULLEY, 30T/GEAR, 35T		
27	FU5-3020-000		1	GEAR, 24T/PULLEY, 30T		
28	XF2-4107-940		1	BELT, TIMING, COGGED		
29	XG9-0520-000		2	BEARING, BALL, MF106ZZS		
30	XD9-0136-000		7	RING, E		
501	XB1-2300-405		2	SCREW, MACH. BH, M3X4		

FIGURE & KEY NO.	PARTS NUMBER	R A N K	Q'TY	DESCRIPTION	SERIAL NUMBER/ REMARKS	S V C
502	XB4-5401-205		11	SCREW,P,M4X12		

# FIGURE 354 3RD DELIVERY FRAME ASSEMBLY

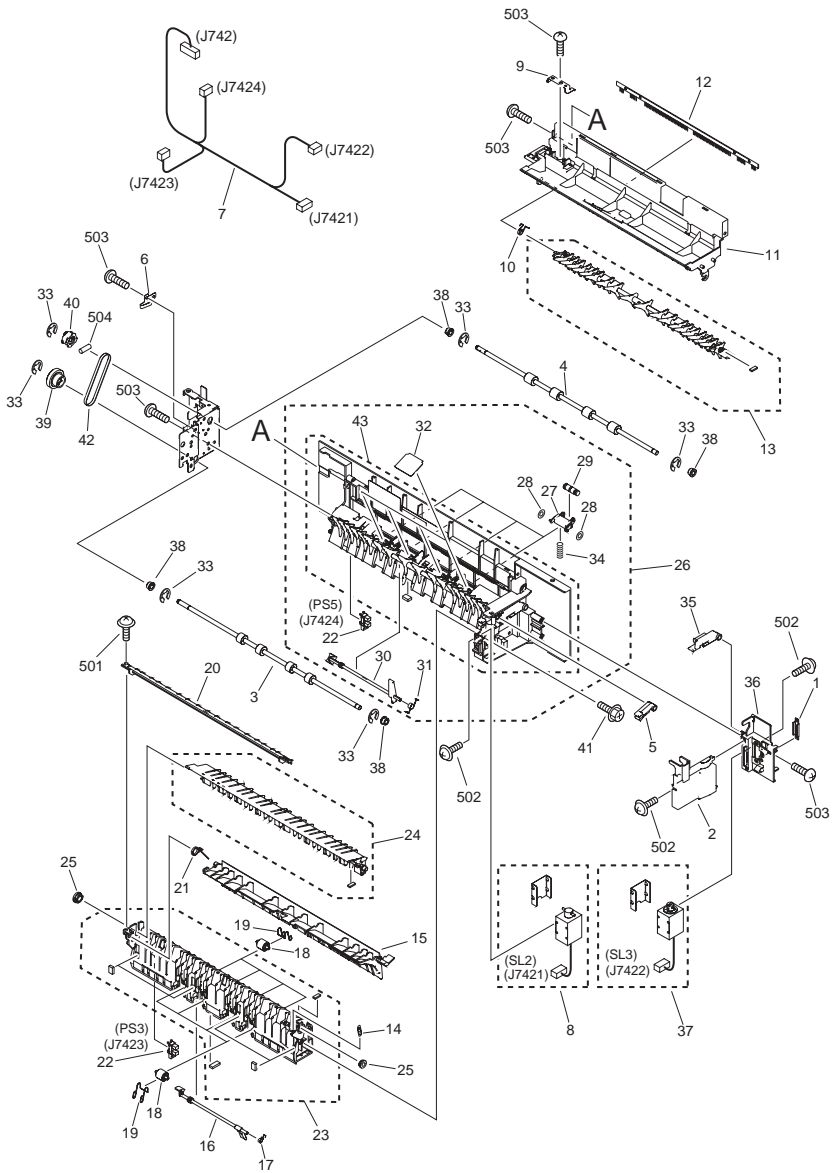


FIGURE & KEY NO.	PARTS NUMBER	R A N K	Q'TY	DESCRIPTION	SERIAL NUMBER/ REMARKS	S V C
Fig.354	FM2-1335-160		1	3RD DELIVERY FRAME ASSEMBLY		
1	FB5-9325-000		1	MAGNET, 3RD		
2	FC5-0872-000		1	COVER, DELIVERY SOLENOID, 2		
3	FC5-1012-000		1	ROLLER, DUPLEXING ENTRANCE		
4	FC5-1020-020		1	ROLLER, 3RD DELIVERY		
5	FC5-1023-000		1	ARM, SOLENOID, 2		
6	FC5-6006-000		1	PLATE, GROUNDING		
7	FG3-3295-000		1	CABLE, 3RD DELIVERY		
8	FL2-1206-010		1	SOLENOID	SL2	
9	FC5-0862-000		1	PLATE, GROUNDING		
10	FC5-0977-000		1	SPRING, TORSION		
11	FC5-1009-000		1	GUIDE, 3RD DELIVERY, UPPER		
12	FC5-6003-000		1	ELIMINATOR, STATIC-CHARGE		
13	FL2-1208-030		1	FLAPPER,3RD PAPER DELIVERY		
14	FC5-0976-000		1	SPRING, TENSION		
15	FC5-1003-040		1	FLAPPER, 2ND PAPER DELIVERY		
16	FC5-1005-000		1	FLAG, DUPLEX ENTRANCE SENSOR		
17	FC5-1006-000		1	SPRING, TORSION		
18	FC5-1013-000		8	ROLLER		
19	FC5-1014-000		8	SPRING		
20	FC5-6008-020		1	GUIDE, DUPLEXING ENTRANCE, 2		
21	FC5-6019-000		1	SPRING, TORSION		
22	FH7-7557-020		1	IC,LG-248L1, PHOTO-INTERRUPTER	PS3,PS5	
23	FL2-1207-020		1	GUIDE, DUPLEXING ENTRANCE		
24	FL2-1209-030		1	FLAPPER, REVERSE		
25	FC7-4740-000		2	BUSHING		
26	FM2-1340-030		1	3RD DELIVERY FRAME ASSEMBLY		
27	FC6-2915-000		4	HOLDER,ROLLER		
28	FC6-5061-000		8	RING		
29	FC6-4012-000		4	ROLLER, PAPER DELIVERY		
30	FC5-1010-000		1	FLAG, 3RD DELIVERY SENSOR		
31	FC5-1011-000		1	SPRING, TORSION		

FIGURE & KEY NO.	PARTS NUMBER	RANK	Q'TY	DESCRIPTION	SERIAL NUMBER/REMARKS	SVC
32	FC5-6012-010		4	SHEET,HOLDER	SL3	
33	XD9-0136-000		6	RING, E		
34	FS7-2859-000		4	SPRING, COMPRESSION		
35	FC5-1024-000		1	ARM, SOLENOID, 3		
36	FC5-1054-000		1	COVER, DELIVERY SOLENOID, 1		
37	FL2-1205-010		1	SOLENOID		
38	FS5-1943-000		4	BUSHING		
39	FU5-3018-000		1	PULLEY, 30T/GEAR, 35T		
40	FU5-3021-000		1	PULLEY, 30T		
41	XA9-1386-000		1	SCREW,RS,M3X8		
42	XF2-4109-240		1	BELT, TIMING, COGGED		
43	FL2-1210-020		1	FRAME, 3RD DELIVERY		
501	XB4-5300-805		2	SCREW,P,M3X8		
502	XB1-2300-405		5	SCREW, MACH. BH, M3X4		
503	XB4-5401-205		AR	SCREW,P,M4X12		
504	XD3-2200-122		1	PIN, DOWEL		



# FIGURE 370 CASSETTE HEATER ASSEMBLY

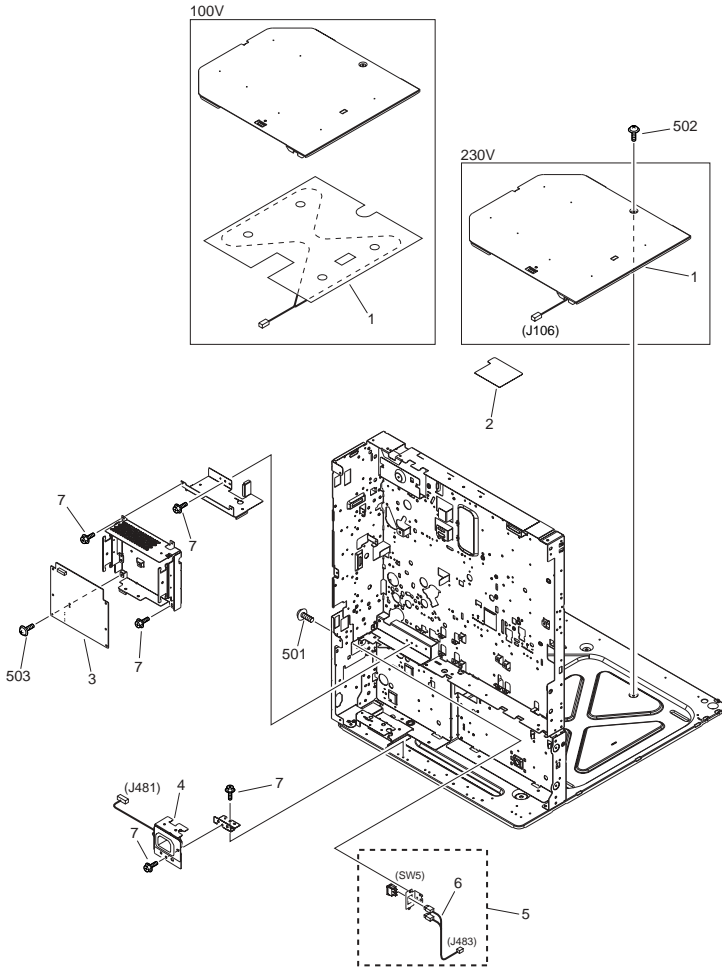
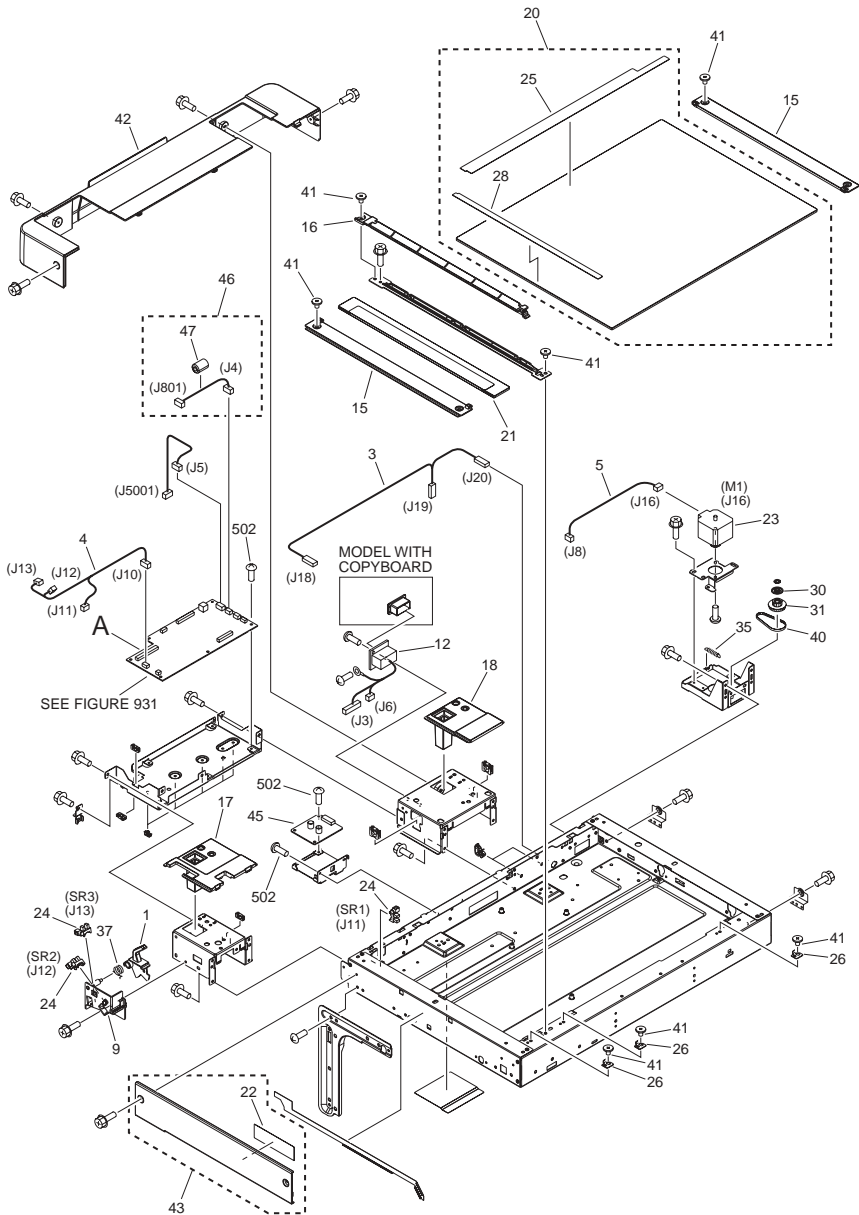


FIGURE & KEY NO.	PARTS NUMBER	R A N K	Q'TY	DESCRIPTION	SERIAL NUMBER/REMARKS	S V C
Fig.370	NPN		RF	CASSETTE HEATER UNIT		
1	FK2-5794-000		1	HEATER, CASSETTE	100V	
1	FM3-3772-000		1	HEATER, CASSETTE	230V	
2	FC5-6899-000		1	COVER,HEATER		
3	FM3-5046-000		1	AC DRIVER PCB ASSEMBLY	100V	
3	FM3-5047-000		1	AC DRIVER PCB ASSEMBLY	120V MODEL WITHOUT CASSETTE HEATER	
3	FM3-5085-000		1	AC DRIVER PCB ASSEMBLY	230V MODEL WITH CASSETTE HEATER	
3	FM3-5048-000		1	AC DRIVER PCB ASSEMBLY	230V MODEL WITHOUT CASSETTE HEATER	
4	FM3-4391-000		1	OUTLET CABLE ASS'Y		
5	FM3-7052-000		1	ENVIRONMENT SWITCH ASSEMBLY		
6	FM3-5061-000		1	CABLE, ENVIRONMENT SWITCH		
7	XA9-1386-000		AR	SCREW,RS,M3X8		
501	XB6-7300-607		1	SCREW, CROSS-RECESS, FCH		
502	XB1-2400-607		1	SCREW, CROSS-RECESS, FCH	100V,230V	
503	XB2-6300-607		5	SCREW,W/WASHER,M3X6		

# FIGURE 400 READER ASSEMBLY



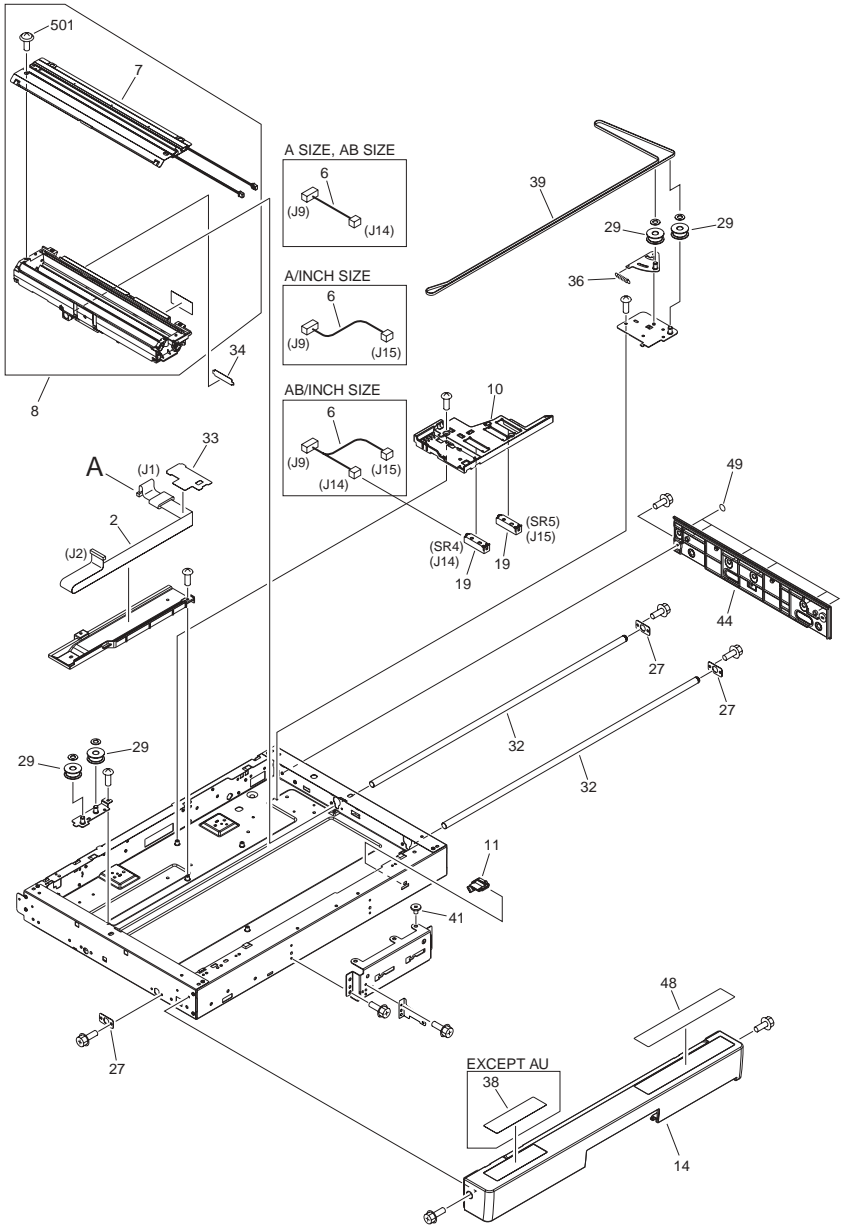


FIGURE & KEY NO.	PARTS NUMBER	R A N K	Q'TY	DESCRIPTION	SERIAL NUMBER/ REMARKS	S V C
Fig.400	NPN		RF	READER ASSEMBLY		
1	FC8-6187-000		1	ARM, OPEN/CLOSE SENSOR		
2	FM3-7133-000		1	CABLE,CCD		
3	FM3-7134-000		1	CABLE,HEATER		
4	FM3-6957-000		1	CABLE,HOME&COVER OPEN SENSOR		
5	FM3-6956-000		1	CABLE,MOTOR&POWER SUPPLY		
6	FM3-7130-000		1	CABLE,PAPER SIZE SENSOR	A SIZE, AB SIZE	
6	FM3-7129-000		1	CABLE,PAPER SIZE SENSOR	A/INCH SIZE	
6	FM3-7135-000		1	CABLE,PAPER SIZE SENSOR	AB/INCH SIZE	
7	FM3-6338-000		1	CARRIAGE COVER UNIT		
8	FM4-0024-000		1	CARRIAGE UNIT		
9	FC8-6188-000		1	CASE, OPEN/CLOSE SENSOR		
10	FC8-6171-000		1	CASE, PAPER SIZE SENSOR		
11	FL2-9842-000		1	CCD MIRROR CLEANING UNIT		
12	FM3-6955-000		1	CABLE, ADF CONNECTION		
14	FC8-6177-000		1	COVER, FRONT		
15	FC8-6178-000		2	COVER, GLASS RETAINING		
16	FC8-6175-000		1	COVER, GLASS SUPPORT		
17	FC8-6185-000		1	COVER, HINGE, LEFT		
18	FC8-6183-000		1	COVER, HINGE, RIGHT		
19	FH7-7569-000		2	DOCUMENT SIZE SENSOR UNIT		
20	FL2-9838-000		1	GLASS, COPYBOARD	AB SIZE	
20	FL2-9839-000		1	GLASS, COPYBOARD	A SIZE	
20	FL2-9840-000		1	GLASS, COPYBOARD	A/INCH SIZE	
20	FL2-9841-000		1	GLASS, COPYBOARD	AB/INCH SIZE	
21	FL2-9843-000		1	GLASS, READER		
22	FL2-9845-000		1	LABEL, SERVICE		
23	FK2-6919-000		1	MOTOR, STEPPING, DC		
24	WG8-5776-000		3	PHOTOINTERRUPTER		
25	FU6-8726-000		1	PLATE, LENGTH INDEX	AB SIZE	
25	FU6-8727-000		1	PLATE, LENGTH INDEX	A SIZE	
25	FU6-8728-000		1	PLATE, LENGTH INDEX	A/INCH SIZE	

FIGURE & KEY NO.	PARTS NUMBER	R A N K	Q'TY	DESCRIPTION	SERIAL NUMBER/ REMARKS	S V C
25	FU6-8729-000		1	PLATE, LENGTH INDEX	AB/INCH SIZE	
26	FC8-6176-000		3	PLATE, SCANNER GLASS RETAINING		
27	FC8-6170-000		3	PLATE, SHAFT RETAINING		
28	FU6-8730-000		1	PLATE, WIDTH INDEX	AB SIZE	
28	FU6-8731-000		1	PLATE, WIDTH INDEX	A SIZE	
28	FU6-8732-000		1	PLATE, WIDTH INDEX	A/INCH SIZE	
28	FU6-8733-000		1	PLATE, WIDTH INDEX	AB/INCH SIZE	
29	FC8-6163-000		4	PULLEY		
30	FC8-6180-000		1	PULLEY		
31	FU5-3710-000		1	PULLEY, 24T/41T		
32	FC8-6169-000		2	SHAFT, CARRIAGE DRIVE		
33	FC8-6167-000		1	SHEET, CCD CABLE RETAINING		
34	FC8-6202-000		1	SHEET, CCD CABLE RETAINING		
35	FU7-2596-000		1	SPRING, TENSION		
36	FU7-2597-000		1	SPRING, TENSION		
37	FC8-6189-000		1	SPRING, TORSION		
38	FU5-8854-000		1	LABEL, CLEANING POSITION	JP	
38	FU5-8853-000		1	LABEL, CLEANING POSITION	EXCEPT JP,AU	
39	XF2-4668-040		1	BELT, TIMING		
40	XF2-4606-740		1	BELT, TIMING, COGGED		
41	XA9-1415-000		AR	SCREW, FLAT HEAD, M4		
42	FC8-6196-000		1	COVER, READER, REAR		
43	FC8-6197-000		1	COVER, READER, LEFT		
44	FC8-6198-000		1	COVER, READER, RIGHT		
45	FM3-7131-000		1	LED DRIVER PCB ASSEMBLY		
46	FM3-7132-000		1	CABLE, LED DRIVER		
47	WE8-5600-000		1	FERRITE CORE, RING TYPE		
48	FU5-8203-000		1	LABEL, COPY INHIBITED	Japanese	
48	FU5-8204-000		1	LABEL, COPY INHIBITED	US English	
48	FU5-8205-000		1	LABEL, COPY INHIBITED	Canadian French	
48	FU5-8206-000		1	LABEL, COPY INHIBITED	Portuguese	
48	FU5-8207-000		1	LABEL, COPY INHIBITED	Spanish	

FIGURE & KEY NO.	PARTS NUMBER	RANK	Q'TY	DESCRIPTION	SERIAL NUMBER/REMARKS	SVC
48	FU5-8208-000		1	LABEL, COPY INHIBITED	UK English	
48	FU5-8209-000		1	LABEL, COPY INHIBITED	French	
48	FU5-8210-000		1	LABEL, COPY INHIBITED	German	
48	FU5-8211-000		1	LABEL, COPY INHIBITED	Italian	
49	FC6-4513-000		6	SEAL		
501	XB6-7300-606		AR	SCREW, TP, M3X6		
502	XB1-1300-607		9	SCREW, PH3X6 (S)		

# FIGURE 460 LASER SCANNER ASSEMBLY

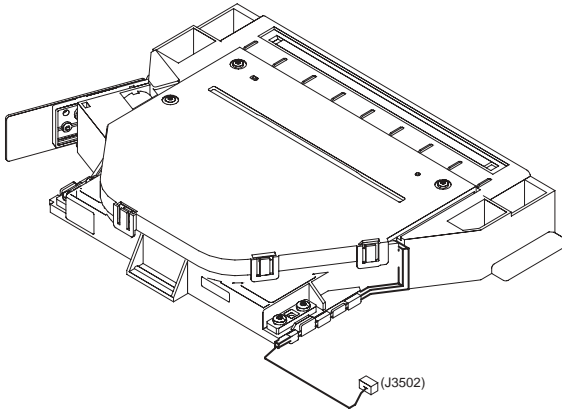


FIGURE & KEY NO.	PARTS NUMBER	RANK	Q'TY	DESCRIPTION	SERIAL NUMBER/REMARKS	SVC
Fig.460	FM3-5041-000		1	LASER SCANNER ASSEMBLY	iR3245,3235,3230 Series	
Fig.460	FM3-5464-000		1	LASER SCANNER ASSEMBLY	iR3225 Series	



# FIGURE 500 DRUM CARTRIDGE ASSEMBLY

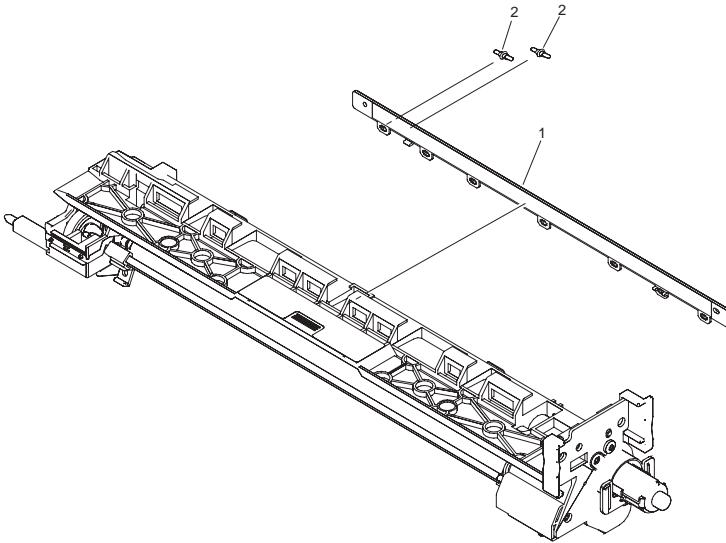
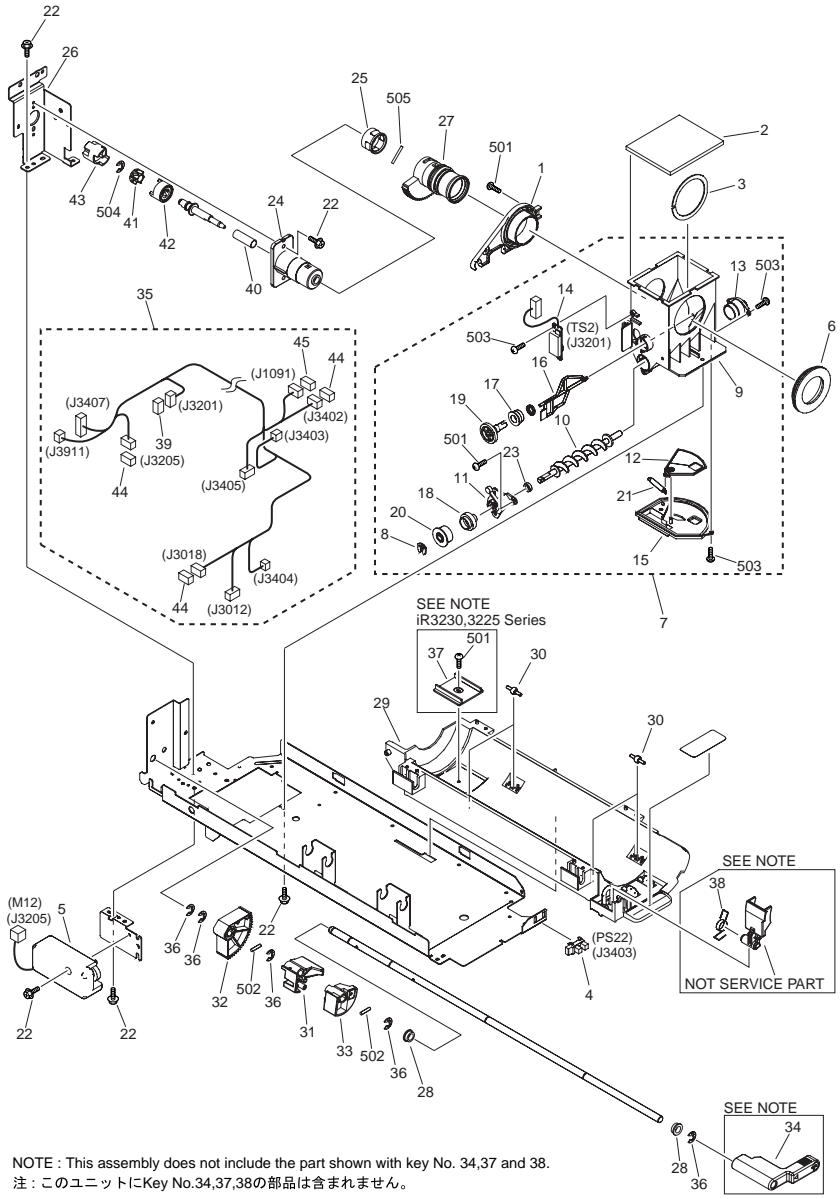


FIGURE & KEY NO.	PARTS NUMBER	RANK	QTY	DESCRIPTION	SERIAL NUMBER/REMARKS	SVC
Fig.500	NPN		RF	DRUM CARTRIDGE ASSEMBLY		
1	FL2-0322-000		1	MOUNT,ROWEL		
2	FC7-2665-000		13	ROWEL		

# FIGURE 621 HOPPER ASSEMBLY



NOTE : This assembly does not include the part shown with key No. 34,37 and 38.  
 注 : このユニットにKey No.34,37,38の部品は含まれません。

FIGURE & KEY NO.	PARTS NUMBER	R A N K	Q'TY	DESCRIPTION	SERIAL NUMBER/ REMARKS	S V C
Fig.621	FM3-4396-000		1	HOPPER ASSEMBLY		
1	FC5-1208-000		1	HOLDER, GUIDE		
2	FC5-1209-000		1	COVER, HOPPER		
3	FC5-1221-000		1	RING, SEAL		
4	FK2-0149-000		1	PHOTO-INTERRUPTER, TLP1252(C6)	PS22	
5	FK2-0379-000		1	MOTOR, DC	M12	
6	FL2-0309-000		1	BASE, SEAL		
7	FM2-0290-000		1	SUB HOPPER UNIT		
8	FA3-8727-000		1	RETAINING RING		
9	FC5-1214-000		1	HOPPER, SUB		
10	FC5-1210-000		1	SCREW		
11	FC5-1211-000		1	FLANGE, SCREW		
12	FC5-1265-000		1	SHUTTER		
13	FC5-1274-000		1	CAP, SCREW		
14	FK2-0358-000		1	SENSOR, TONER	TS2	
15	FL2-0307-000		1	MOUNT, SHUTTER		
16	FL2-0313-000		1	ROD, STIRRING		
17	FU5-1034-000		1	BUSHING		
18	FU5-0108-000		1	GEAR, 18T		
19	FU5-0109-000		1	GEAR, 22T		
20	FU5-0115-000		1	GEAR, 17T		
21	FU5-2089-000		1	SPRING		
22	XA9-1386-000		9	SCREW,RS,M3X8		
23	XG9-0111-000		1	SEAL, OIL		
24	FC8-1117-000		1	BUSHING		
25	FC8-1113-000		1	BUSHING		
26	FL2-0295-000		1	MOUNT, BUSHING		
27	FL2-8441-000		1	HOLDER, RELEASE		
28	FA9-2112-000		2	BUSHING, PL		
29	FC8-1130-000		1	BASE, BOTTLE		
30	FC5-1269-000		4	ROLLER		
31	FC8-1144-000		1	CAM, BOTTLE SLIDE		

FIGURE & KEY NO.	PARTS NUMBER	R A N K	Q'TY	DESCRIPTION	SERIAL NUMBER/REMARKS	S V C
32	FC5-1217-000		1	GEAR	SEE NOTE	
33	FC8-1140-000		1	CAM, BOTTLE SLIDE		
34	FC8-1126-000		1	LEVER, SET		
35	FM3-5076-000		1	CABLE, HOPPER		
36	XD9-0137-010		5	RING, E		
37	FC6-2899-000		1	BASE, BOTTLE		SEE NOTE iR3230,3225 Series
38	FU6-2012-000		1	SPRING		SEE NOTE
39	VS1-7177-006		1	CONNECTOR, SNAP TIGHT, BK		
40	FU7-2256-000		1	SPRING, COMPRESSION		
41	FC8-1110-000		1	COUPLING, INNER		
42	FC8-1111-000		1	COUPLING, DRIVE		
43	FC8-1112-000		1	COUPLING, MOTOR		
44	VS1-7177-002		3	CONNECTOR, SNAP TIGHT, BK		
45	VS1-7177-003		1	CONNECTOR, SNAP TIGHT, BK		
501	XB4-5300-607		6	SCREW,P,M3X6		
502	XD3-2300-142		2	PIN, DOWEL		
503	XB4-5300-807		6	SCREW, P, M3X8		
504	XD2-1100-502		1	RETAINING RING (E-TYPE)		
505	XD3-2200-162		1	PIN, PARALLEL		

# FIGURE 640 DEVELOPING ASSEMBLY

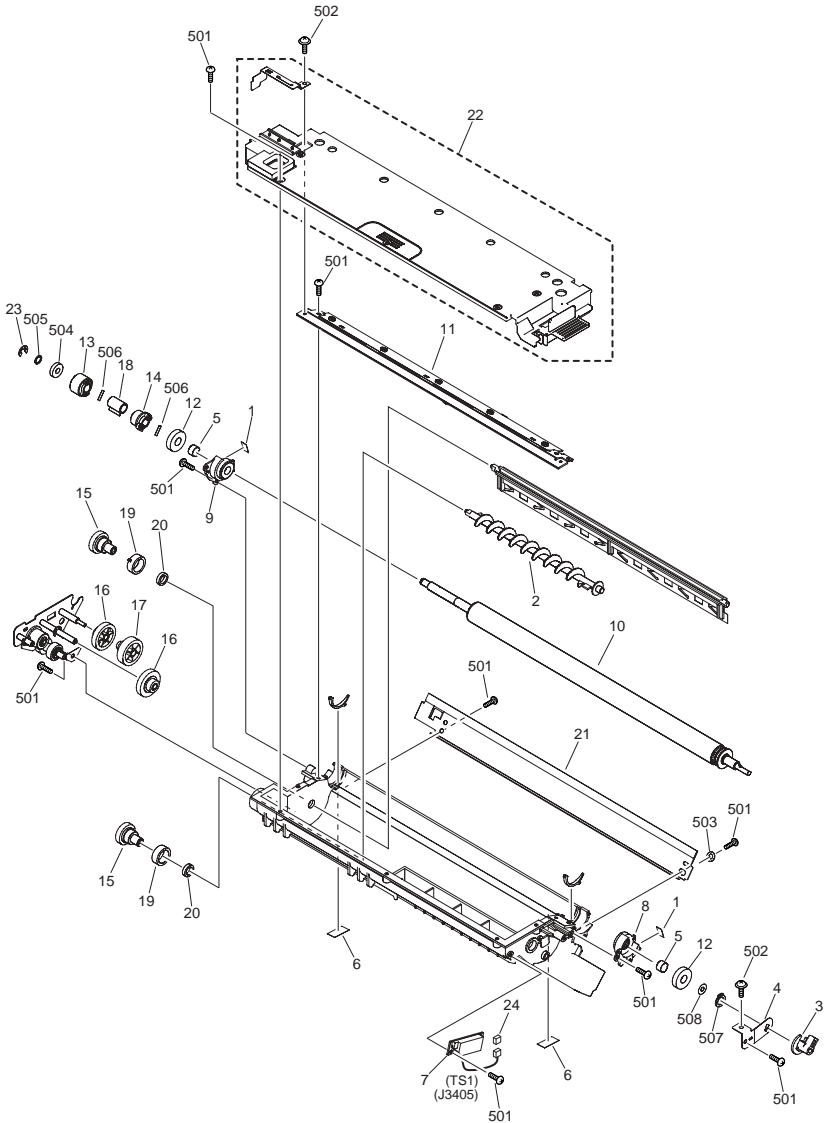
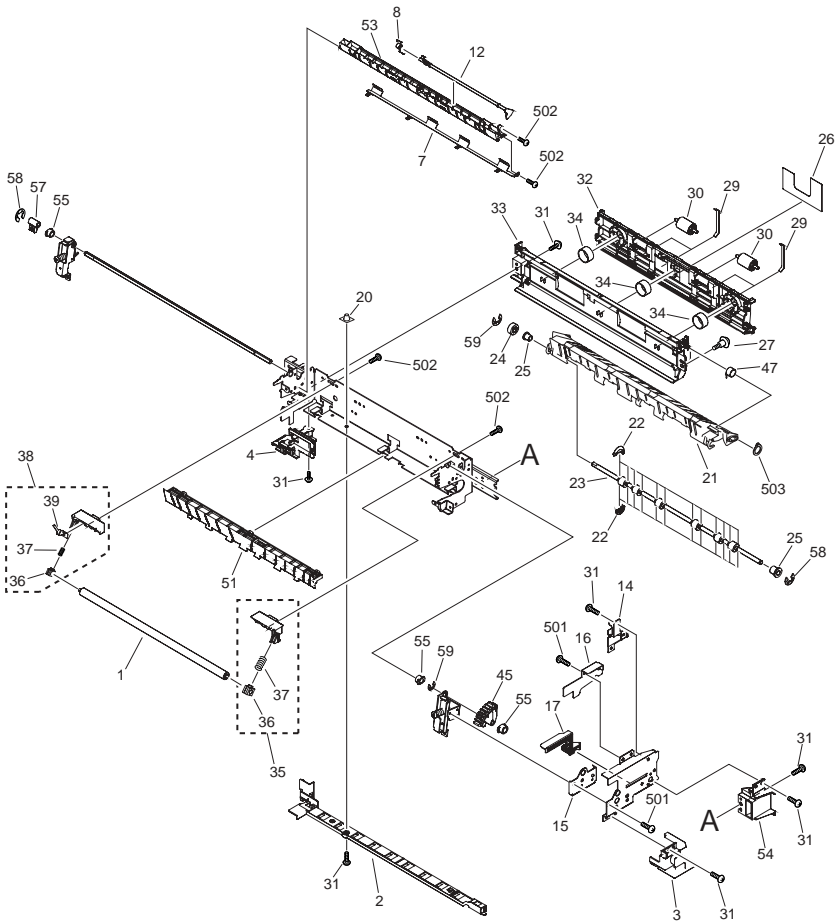


FIGURE & KEY NO.	PARTS NUMBER	R A N K	Q'TY	DESCRIPTION	SERIAL NUMBER/ REMARKS	S V C
Fig.640	FM2-0287-000		1	DEVELOPING ASSEMBLY		
1	FC6-5050-000		2	SHEET		
2	FC5-1239-000		1	SCREW		
3	FC5-1246-000		1	GUIDE, SLEEVE, FRONT		
4	FC5-1249-000		1	PLATE, ANGLE ADJUSTMENT		
5	XG9-0491-000		2	BEARING, BALL, NSK P0 16MM		
6	FC6-2937-000		2	TAPE,PLATE END SEAL		
7	FK2-0358-000		1	SENSOR, TONER	TS1	
8	FC5-1254-000		1	HOLDER, SLEEVE, FRONT		
9	FC5-1247-000		1	HOLDER, SLEEVE, REAR		
10	FL2-0290-000		1	DEVELOPING CYLINDER UNIT		
11	FM2-0289-000		1	BLADE UNIT		
12	FS5-6448-000		2	ROLLER, 1		
13	FU5-0110-000		1	GEAR, 20T		
14	FU5-0111-000		1	GEAR, 16T		
15	FU5-0112-000		2	GEAR, 24T		
16	FU5-0113-000		2	GEAR, 31T/13T		
17	FU5-0114-000		1	GEAR, 31T/13T		
18	FU5-1026-000		1	BUSHING		
19	FU5-1031-000		2	BUSHING		
20	X71-9310-000		2	SEAL, OIL		
21	FL2-0304-020		1	GUIDE , UPPER TRANSFER		
22	FL2-0320-000		1	COVER,TOP		
23	XD9-0136-000		1	RING, E		
24	VS1-7177-006		1	CONNECTOR, SNAP TIGHT, BK		
501	XB4-5300-607		17	SCREW,P,M3X6		
502	XB6-7300-607		2	SCREW, CROOSS-RECESS, FCH		
503	XD1-1104-634		1	WASHER,COP		
504	XG9-0521-000		1	BEARING, BALL, MR126ZZ		
505	XD1-1106-215		1	WASHER,COP		
506	XD3-2200-142		2	PIN, PARALLEL		
507	XD2-2100-802		1	GRIP RING (D=8)		

FIGURE & KEY NO.	PARTS NUMBER	R A N K	Q'TY	DESCRIPTION	SERIAL NUMBER/ REMARKS	S V C
508	XD1-1108-215		1	WASHER,COP		

FIGURE 810  
FIXING ASSEMBLY





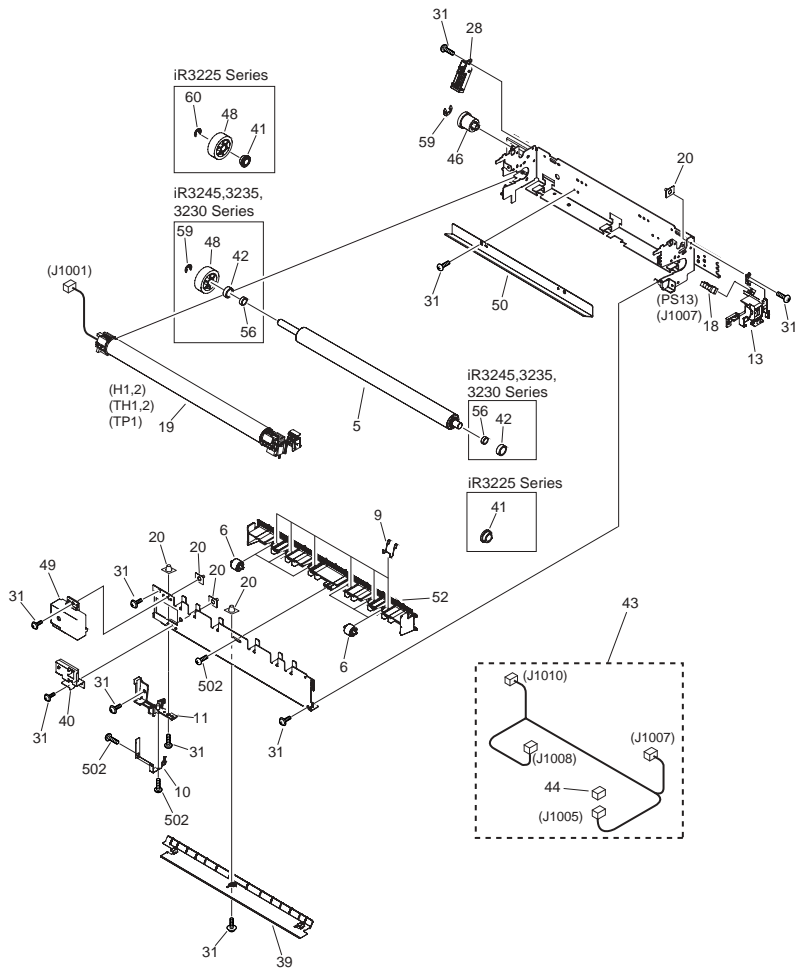


FIGURE & KEY NO.	PARTS NUMBER	R A N K	Q'TY	DESCRIPTION	SERIAL NUMBER/ REMARKS	S V C
Fig.810	FM3-6165-000		1	FIXING ASSEMBLY	100V iR3245,3235,3230 Series	
Fig.810	FM3-7061-000		1	FIXING ASSEMBLY	100V iR3225 Series	
Fig.810	FM3-7066-000		1	FIXING ASSEMBLY	120V iR3245,3235,3230 Series	
Fig.810	FM3-7063-000		1	FIXING ASSEMBLY	120V iR3225 Series	
Fig.810	FM3-7067-000		1	FIXING ASSEMBLY	230V iR3245,3235,3230 Series	
Fig.810	FM3-7064-000		1	FIXING ASSEMBLY	230V iR3225 Series	
1	FB5-4931-000		1	ROLLER, FIXING HEATSINK		
2	FC5-1131-000		1	GUIDE, FIXING CABLE, LOWER		
3	FC6-2920-010		1	COVER, AC CONNECTOR		
4	FC5-1351-000		1	GUARD, FILM SENSOR		
5	FC7-0242-000		1	ROLLER, PRESSURE	iR3225 Series	
5	FC5-7207-010		1	ROLLER, PRESSURE	iR3245,3235,3230 Series	
6	FC5-1358-000		6	COLLAR, FIXING DELIVERY		
7	FC5-1360-000		1	ELIMINATOR, STATIC CHARGE		
8	FC5-1367-000		1	SPRING,SENSOR LEVER		
9	FC5-1368-000		6	SPRING		
10	FC5-1383-000		1	BRUSH, FILM BIAS		
11	FC5-1384-000		1	GUIDE, FILM BIAS		
12	FC5-7160-000		1	LEVER, SENSOR		
13	FC5-1341-010		1	GUIDE, FIXING CABLE, FRONT		
14	FC6-2924-000		1	GUIDE, RELEASE		
15	FC6-2925-000		1	PLATE, PRESSURE ADJUST, SMALL		
16	FC6-2927-000		1	PLATE, RACK AUXILIARY		
17	FC6-2929-000		1	RACK, PRESSURE RELEASE		
18	FK2-0149-000		1	PHOTO-INTERRUPTER, TLP1252(C6)	PS13	
19	FM3-6166-000		1	FIXING FILM UNIT	100V iR3245,3235,3230 Series H1,2 TH1,2 TP1	
19	FM3-7062-000		1	FIXING FILM UNIT	100V iR3225 Series H1,2 TH1,2 TP1	
19	FM3-7070-000		1	FIXING FILM UNIT	120V iR3245,3235,3230 Series H1,2 TH1,2 TP1	

FIGURE & KEY NO.	PARTS NUMBER	RANK	Q'TY	DESCRIPTION	SERIAL NUMBER/REMARKS	SVC
19	FM3-7068-000		1	FIXING FILM UNIT	120V iR3225 Series H1,2 TH1,2 TP1	
19	FM3-7071-000		1	FIXING FILM UNIT	230V iR3245,3235,3230 Series H1,2 TH1,2 TP1	
19	FM3-7069-000		1	FIXING FILM UNIT	230V iR3225 Series H1,2 TH1,2 TP1	
20	FC6-5085-000		6	CAP,DUST		
21	FC5-1356-000		1	GUIDE, FIXING DELIVERY, LOWER		
22	FC6-2941-000		24	ROLLER		
23	FC6-2943-000		1	ROLLER, FIXING DELIVERY		
24	FU6-0023-000		1	GEAR, 15T		
25	RS1-1087-000		2	BUSHING		
26	FC5-0655-000		1	LABEL, HIGH TEMP. CAUTION		
27	FS1-9009-020		1	SCREW,STEPPED,M3		
28	FM3-7060-000		1	RESISTOR HOLDER MOUNTING UNIT	iR3225 Series	
28	FM2-1777-000		1	RESISTOR HOLDER MOUNTING UNIT	iR3245,3235,3230 Series	
29	FC6-4015-000		4	SPRING, LEAF		
30	FC6-5055-000		2	ROLLER, DUPLEXING		
31	XA9-0702-000		21	SCREW, W/WASHER, M3X6		
32	FC5-0697-000		1	GUIDE, DUPLEXING FEEDER, UPPER		
33	FC5-7156-000		1	MOUNT, DUPLEXING FEEDER		
34	FU5-2073-000		3	SPRING, COMPRESSION		
35	FM2-0299-000		1	CLEANING ROLLER MOUNT UNIT,F.	iR3225 Series	
35	FM2-1775-020		1	CLEANING ROLLER MOUNT UNIT,F.	iR3245,3235,3230 Series	
36	FS5-1945-000		2	BUSHING		
37	FU5-2102-000		2	SPRING		
38	FM3-7059-000		1	CLEANING ROLLER MOUNT UNIT,R.	iR3225 Series	
38	FM2-1776-040		1	CLEANING ROLLER MOUNT UNIT,R.	iR3245,3235,3230 Series	
39	FC5-1340-000		1	GUIDE, INLET		
40	FM2-2769-000		1	FIXING SPEED SENSOR PCB UNIT		
41	RS5-1446-000		2	BUSHING	iR3225 Series	
42	FC5-7182-000		2	HOUSING,BEARING	iR3245,3235,3230 Series	
43	FM3-5058-000		1	CABLE, FIXING		

FIGURE & KEY NO.	PARTS NUMBER	RANK	Q'TY	DESCRIPTION	SERIAL NUMBER/REMARKS	SVC
44	VS1-7177-012		1	CONNECTOR, SNAP TIGHT, BK		
45	FC6-2928-000		1	GEAR, 36T		
46	FU5-0129-000		1	GEAR, 17T/19T	iR3225 Series	
46	FU6-0022-000		1	GEAR, 15T/20T	iR3245,3235,3230 Series	
47	FU6-2021-000		1	SPRING, FIXING GUIDE, LOWER		
48	FU5-0127-000		1	GEAR, 27T	iR3225 Series	
48	FU6-0021-000		1	GEAR, 27T	iR3245,3235,3230 Series	
49	FC6-4627-000		1	COVER, SENSOR		
50	FC5-1346-000		1	ELIMINATOR, STATIC CHARGE	iR3225 Series	
50	FC5-7228-000		1	ELIMINATOR, STATIC CHARGE	iR3245,3235,3230 Series	
51	FC5-1348-000		1	GUIDE, FIXING INLET		
52	FC5-1353-000		1	GUIDE, FIXING DELIVERY, UPPER		
53	FC5-1382-000		1	GUIDE, FIXING DELIVERY FIX, L.		
54	FC5-1343-000		1	COVER, FIXING FRAME		
55	FU5-1453-000		3	BUSHING		
56	XG9-0387-000		2	BEARING, BALL, L-1680HH LY13	iR3245,3235,3230 Series	
57	FC5-1345-000		1	LEVER, PRESSURE		
58	XD9-0134-000		2	RING, E		
59	XD9-0136-000		4	RING, E		
60	XD9-0137-010		1	RING, E	iR3225 Series	
501	XB1-2300-409		6	SCREW, MACHINE M3X4		
502	XB4-5300-607		5	SCREW, P, M3X6		
503	XD2-2100-602		1	GRIP RING (D=6)		

# FIGURE 900 CONTROLLER BOX ASSEMBLY

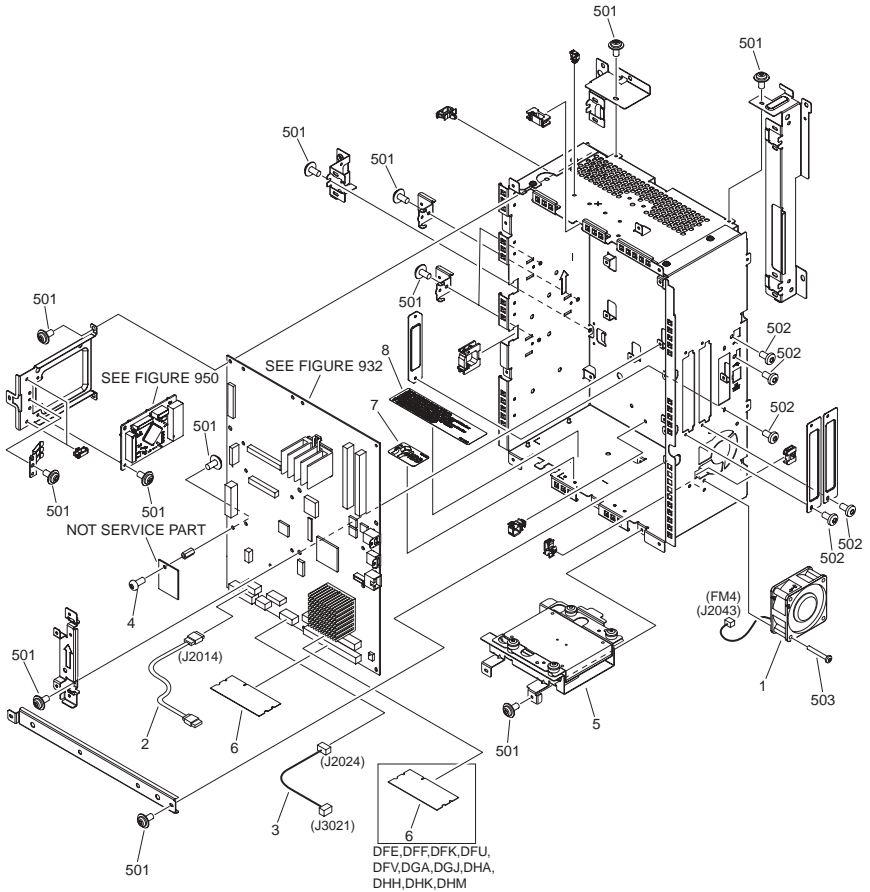


FIGURE & KEY NO.	PARTS NUMBER	R A N K	Q'TY	DESCRIPTION	SERIAL NUMBER/ REMARKS	S V C
Fig.900	NPN		RF	CONTROLLER BOX ASSEMBLY		
1	FK2-6691-000		1	FAN	FM4	
2	FK2-6693-000		1	CABLE, HDD INTERFACE		
3	FK2-6698-000		1	CABLE, HDD POWER SUPPLY		
4	XA9-0465-000		1	SCREW, W/WASHER, M3X4		
5	FM3-4403-000		1	HARD DISC DRIVE UNIT	JP	
5	FM3-5634-000		1	HARD DISC DRIVE UNIT	EXCEPT JP	
6	WA7-5211-000		2	DIMM, D2X533BWS512EBA6, 512MB		
7	FS7-8107-000		1	LABEL, HD WARNING		
8	FS7-8143-020		1	LABEL,COUNTER		
501	XB6-7300-607		AR	SCREW, CROSS-RECESS, FCH		
502	XB1-2300-607		8	SCREW, BH3X6		
503	XB1-2403-006		2	SCREW, BINDING HEAD MACHINE,		

# FIGURE 910 MAIN POWER SUPPLY PCB ASSEMBLY

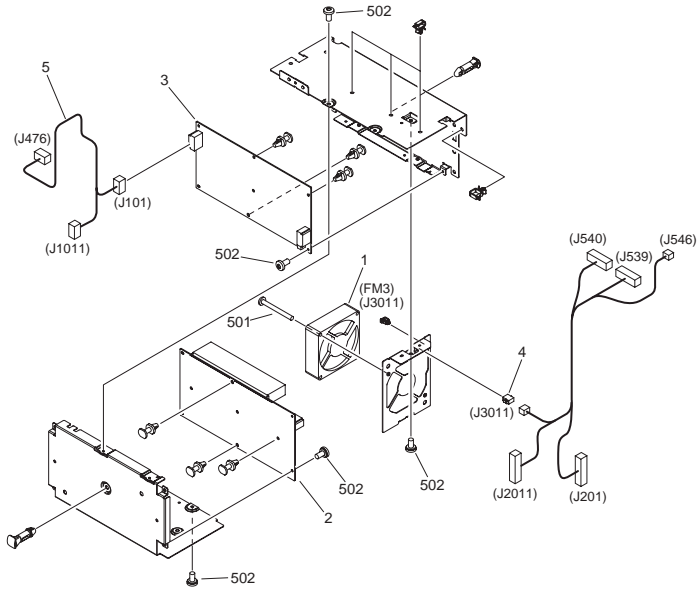


FIGURE & KEY NO.	PARTS NUMBER	RANK	QTY	DESCRIPTION	SERIAL NUMBER/REMARKS	SVC
Fig.910	FM3-6145-000		1	MAIN POWER SUPPLY PCB ASSEMBLY		
1	FK2-0360-000		1	FAN	FM3	
2	FK2-6317-000		1	24V POWER SUPPLY PCB ASSEMBLY		
3	FK2-6319-000		1	12V POWER SUPPLY PCB ASSEMBLY		
4	VS1-7177-003		1	CONNECTOR, SNAP TIGHT, BK		
5	FM3-5057-000		1	CABLE, AC POWER SUPPLY		
501	XB1-2403-007		2	SCREW, BH 4X30 (S)		
502	XB6-7300-607		14	SCREW, CROSS-RECESS, FCH		

# FIGURE 930 DC CONTROLLER PCB ASSEMBLY

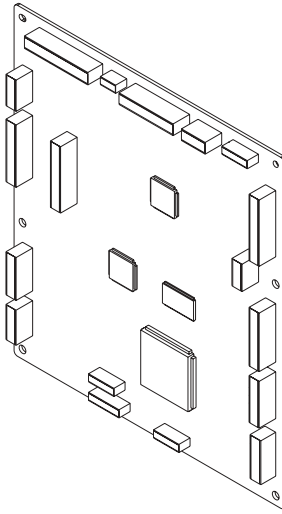


FIGURE & KEY NO.	PARTS NUMBER	RANK	Q'TY	DESCRIPTION	SERIAL NUMBER/REMARKS	S V C
Fig.930	FM3-5051-000		1	DC CONTROLLER PCB ASSEMBLY	iR3245,3235,3230 Series	
Fig.930	FM3-5052-000		1	DC CONTROLLER PCB ASSEMBLY	iR3225 Series	
IC23	FK2-1773-000		1	IC,TC200GO2EFG-1031,GATE ARRAY		
IC3	FK2-6450-000		1	IC, FSA0AC211AA		
IC17	FK2-6321-000		1	IC, R5F61638N50FPV-FK26321,MCU		



# FIGURE 931 READER CONTROLLER PCB ASSEMBLY

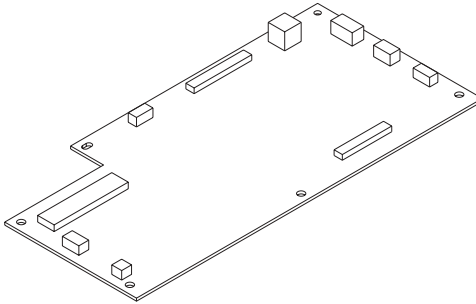


FIGURE & KEY NO.	PARTS NUMBER	RANK	QTY	DESCRIPTION	SERIAL NUMBER/REMARKS	SVC
Fig.931	FM3-6954-000		1	READER CONTROLLER PCB ASSEMBLY		
IC5	FK2-0349-000		1	IC,MB87M4430,ASIC		
IC6	FK2-6609-000		1	IC, MB87M8290PMC1-G-BNDE1		

# FIGURE 932 MAIN CONTROLLER PCB ASSEMBLY

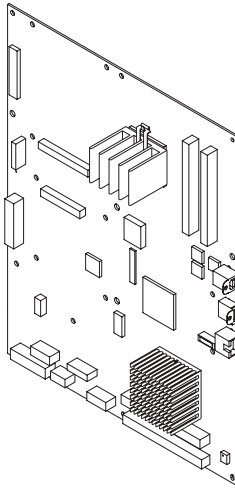


FIGURE & KEY NO.	PARTS NUMBER	RANK	Q'TY	DESCRIPTION	SERIAL NUMBER/REMARKS	SVC
Fig.932	FM4-1245-000		1	MAIN CONTROLLER PCB ASSEMBLY	iR3225 Series (25ppm)	
Fig.932	FM4-1246-000		1	MAIN CONTROLLER PCB ASSEMBLY	iR3230 Series (30ppm)	
Fig.932	FM4-1247-000		1	MAIN CONTROLLER PCB ASSEMBLY	iR3235 Series (40ppm)	
Fig.932	FM4-1248-000		1	MAIN CONTROLLER PCB ASSEMBLY	iR3245 Series (45ppm)	
IC15	FK2-4903-000		1	IC, MB87S4030, ASIC, FUJITSU		
IC45	FK2-5758-000		1	IC, UPD 808000F1-641-RN4-A		
IC51	FK2-6692-000		1	IC, LE80578EG800C		

# FIGURE 950 IMAGE PCB ASSEMBLY

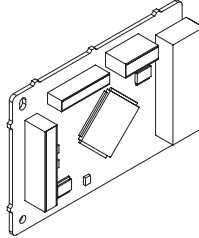


FIGURE & KEY NO.	PARTS NUMBER	RANK	QTY	DESCRIPTION	SERIAL NUMBER/REMARKS	SVC
Fig.950	FM3-7395-000		1	IMAGE PCB ASSEMBLY		
IC3	FK2-5788-000		1	IC, T6TH5EFG-00001		

# FIGURE 994 RELAY DELIVERY CONT. PCB ASS'Y

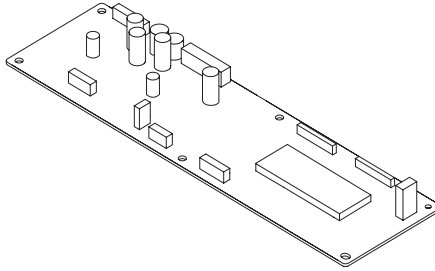


FIGURE & KEY NO.	PARTS NUMBER	RANK	Q'TY	DESCRIPTION	SERIAL NUMBER/REMARKS	SVC
Fig.994	FM3-1319-000		1	DELIVERY CONTROLLER PCB ASS'Y		
IC10	FH4-6204-000		1	IC, S1L50993F22H000,GATE-ARRAY		

FIGURE A01  
DADF MOUNTING HARDWARE (ADF model)

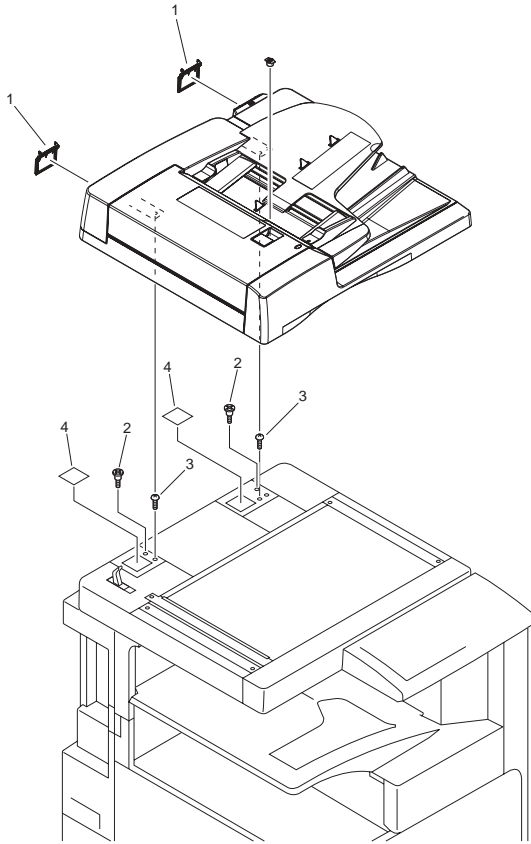


FIGURE & KEY NO.	PARTS NUMBER	RANK	Q'TY	DESCRIPTION	SERIAL NUMBER/REMARKS	SVC
Fig.A01	NPN		RF	DADF MOUNTING HARDWARE	ADF model	
1	FC8-6312-000		2	COVER, HINGE BLANKING		
2	FU5-9139-000		2	SCREW, STEPPED, M5X6		
3	FU5-9140-000		2	SCREW, STEPPED, M4X10		
4	FC5-4427-000		2	SHEET, BLANKING		



FIGURE & KEY NO.	PARTS NUMBER	R A N K	Q'TY	DESCRIPTION	SERIAL NUMBER/ REMARKS	S V C
Fig.A10	NPN		RF	INTERNAL COMPONENTS	ADF model	
1	WT2-0255-000		1	WIRE CLAMP		
2	FC5-4399-000		1	LABEL, HINGE CAUTION		
3	FC5-4400-000		1	LABEL, HINGE CAUTION		
4	FC8-6311-000		1	COVER, STAMP		
5	FC8-6330-000		1	LEVER, READ 1 ESTRANGEMENT		
6	FC8-6387-000		1	HOLDER, TRAY SUPPORT		
7	FC8-6388-000		1	HOLDER, FEEDER SHAFT		
8	FC8-6405-000		1	SHEET, READ 2 LEAD		
9	FC8-6420-000		1	HINGE, LEFT		
10	FK2-0216-000		1	SOLENOID	SL1,J85	
11	FK2-6872-000		1	FAN	FM1,J8	
12	FL2-9945-000		1	COVER, COPYBOARD		
13	FL2-9946-000		1	COVER, FRONT		
14	FL2-9947-000		1	COVER, REAR		
15	FU5-1173-000		1	BUSHING		
16	FU7-2651-000		1	SPRING, TENSION		
17	FM3-6929-000		1	CABLE, I/F	J9,J11	
18	FU6-8746-000		1	LABEL, DOCUMENT SIZE	A/B SIZE	
18	FU6-8747-000		1	LABEL, DOCUMENT SIZE	A SIZE	
18	FU6-8748-000		1	LABEL, DOCUMENT SIZE	A/INCH SIZE	
18	FU6-8749-000		1	LABEL, DOCUMENT SIZE	AB/INCH/K SIZE	
19	FU6-8744-000		1	LABEL, PROHIBITION DOCUMENT	EUR	
19	FU6-8745-000		1	LABEL, PROHIBITION DOCUMENT	EXCEPT EUR	
20	XA9-0732-000		6	SCREW,RS,M4		
21	FM3-6935-000		1	CABLE, BASE	J5,J84,J111,J114	
22	VS1-7177-002		1	CONNECTOR, SNAP TIGHT, BK		
23	FM3-6936-000		1	CABLE, REG. MOTOR	J14,J88	
24	VS1-7177-004		1	CONNECTOR, SNAP TIGHT, BK		
25	FC5-4396-000		1	LABEL, HINGE CAUTION	JP	
25	FC5-4397-000		1	LABEL, HINGE CAUTION	EXCEPT JP	
501	XB1-2401-406		1	BINDING HEAD MACHINE SCREW		



FIGURE & KEY NO.	PARTS NUMBER	RANK	Q'TY	DESCRIPTION	SERIAL NUMBER/REMARKS	SVC
502	XB7-2300-405		1	NUT,S		
503	XD2-1100-402		3	RETAINING RING (E-TYPE)		
504	XB1-2400-609		1	SCREW,NACH.,TRUSS HEAD,M4X6		
506	XB4-5301-005		2	SCREW,P,M3X10		
507	XB4-5401-205		25	SCREW,P,M4X12		

FIGURE A11  
BASE ASSEMBLY (ADF model)

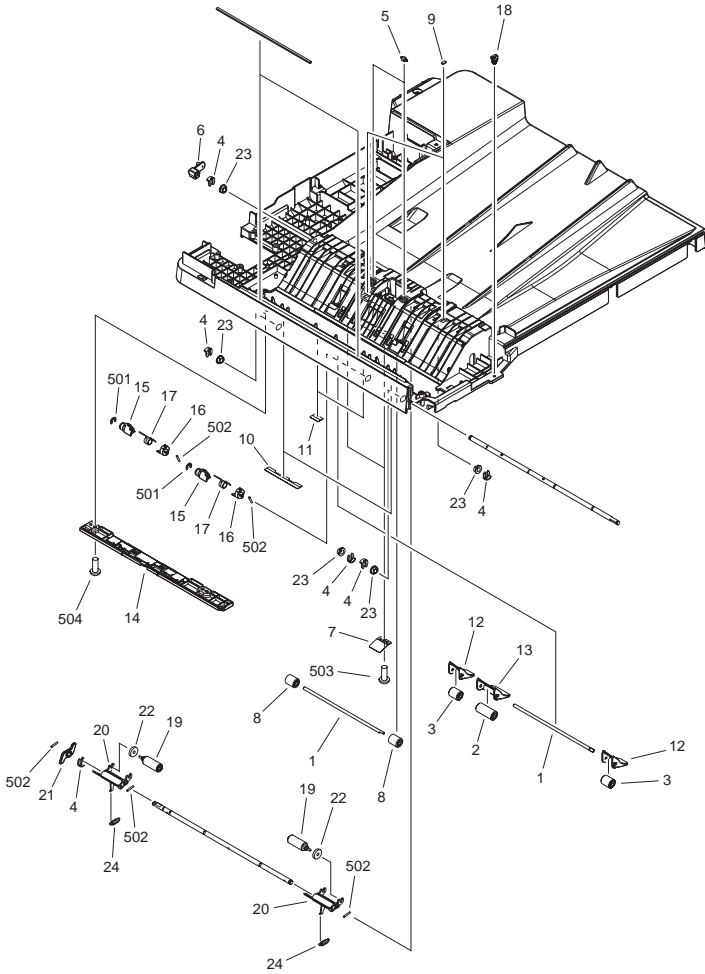


FIGURE & KEY NO.	PARTS NUMBER	R A N K	Q'TY	DESCRIPTION	SERIAL NUMBER/ REMARKS	S V C
Fig.A11	NPN		RF	BASE ASSEMBLY	ADF model	
1	FC5-4285-030		2	SHAFT, PAPER FEED ROLLER		
2	FC5-4286-000		1	ROLLER, PAPER FEED, 1		
3	FC5-4287-000		2	ROLLER, PAPER FEED, 2		
4	FC5-4425-000		6	CLIP		
5	FC6-8973-000		2	ROLLER, PLATEN		
6	FC8-6319-000		1	HOLDER, SOLENOID		
7	FC8-6322-000		2	SPRING, LEAF		
8	FC8-6404-000		2	ROLLER, READ 2 PINCH		
9	FC8-6402-000		2	DAMPER, SENSOR LEVER		
10	FC8-6422-000		2	SHEET, PAPER FEED		
11	FC8-6423-000		2	SHEET, PAPER FEED		
12	FL2-9933-000		2	HOLDER, ROLLER, SMALL		
13	FL2-9934-000		1	HOLDER, ROLLER, LARGE		
14	FL2-9935-000		1	COVER, BASE, LOWER		
15	FC8-6331-000		2	LEVER, READ 1 PRESSURE		
16	FC8-6332-000		2	COLLAR, READ 1 PRESSURE		
17	FU7-2653-000		2	SPRING, TORSION		
18	WT2-5694-000		1	CLIP CLAMP, WIRE		
19	FC8-6316-000		2	ROLLER, DELIVERY		
20	FC8-6317-000		2	HOLDER, DELIVERY ROLLER		
21	FC8-6318-000		1	CAM, DELIVERY ESTRANGEMENT		
22	FC8-6419-000		2	DAMPER, DELIVERY		
23	FU5-1168-000		5	BUSHING		
24	FU7-2652-000		2	SPRING, TENSION		
501	XD2-1100-402		2	RETAINING RING (E-TYPE)		
502	XD3-2200-122		5	PIN, DOWEL		
503	XB4-5301-005		2	SCREW,P,M3X10		
504	XB4-5401-205		2	SCREW,P,M4X12		

**FIGURE A12**  
**PAPER PICK-UP COVER ASSEMBLY (ADF model)**

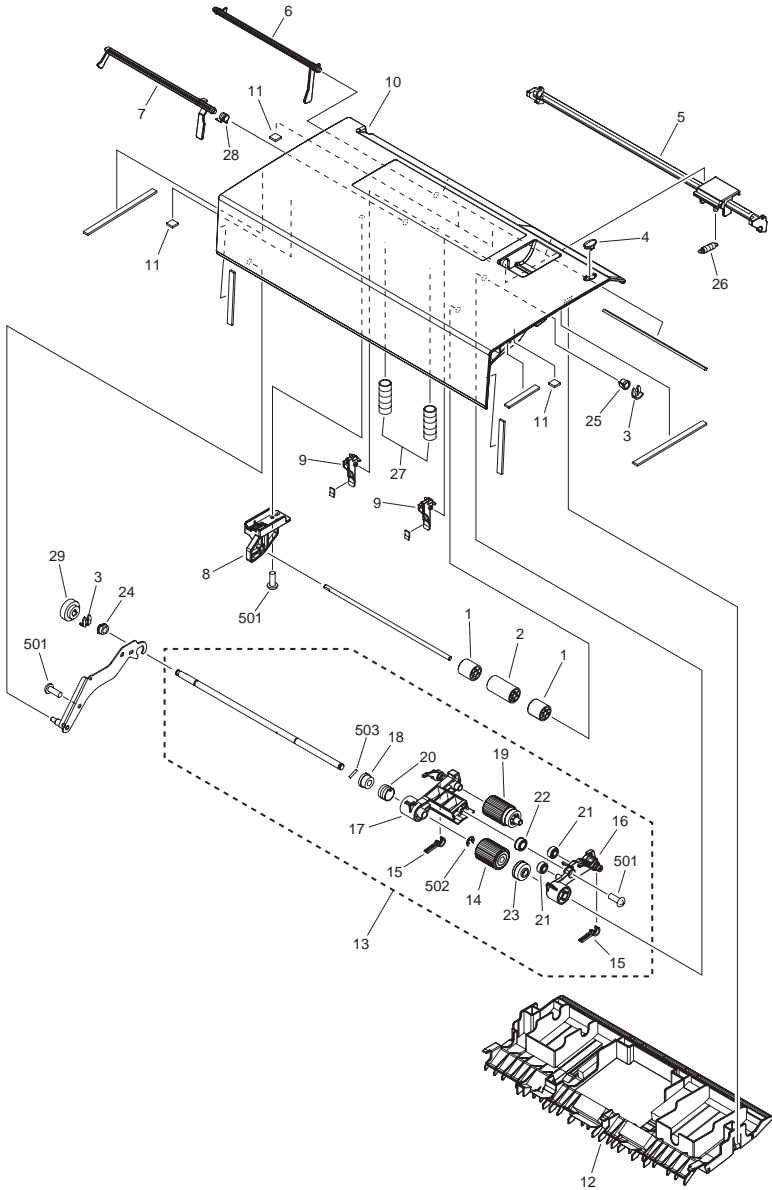


FIGURE & KEY NO.	PARTS NUMBER	R A N K	Q'TY	DESCRIPTION	SERIAL NUMBER/ REMARKS	S V C
Fig.A12	FM3-6891-000		1	PAPER PICK-UP COVER ASSEMBLY	ADF model	
1	FC5-4323-000		2	ROLLER, REGISTRATION, 1		
2	FC5-4324-000		1	ROLLER, REGISTRATION, 2		
3	FC5-4425-000		2	CLIP		
4	FC8-6345-000		1	CASE, LED		
5	FC8-6346-000		1	KNOB, PAPER PICK-UP COVER		
6	FC8-6347-000		1	LEVER, EMPTY SENSOR		
7	FC8-6348-000		1	LEVER, TIMING SENSOR		
8	FC8-6349-000		1	HOLDER, REG. ROLLER SHAFT		
9	FC8-6350-000		2	SHUTTER		
10	FL2-9938-000		1	COVER, PAPER PICK-UP		
11	FC8-6403-000		4	DAMPER, REV. GUIDE RETAINING		
12	FL2-9940-000		1	GUIDE, PAPER PICK-UP, LOWER		
13	FM3-6892-000		1	PAPER PICK-UP ROLLER UNIT		
14	FC6-2784-000		1	ROLLER, PAPER SEPARATION		
15	FC6-8971-000		2	LEVER, STOP		
16	FC8-6351-000		1	ARM, PICK, FRONT		
17	FC8-6352-000		1	ARM, PICK, REAR		
18	FC8-6353-000		1	JOINT		
19	FC8-6355-000		1	ROLLER, PICK-UP		
20	FC8-6410-000		1	SPRING, TORSION		
21	FU8-0299-000		2	GEAR, 20T		
22	FU8-0300-000		1	GEAR, 22T		
23	FU8-0301-000		1	GEAR, 33T		
24	FU5-1172-000		1	BUSHING		
25	FU5-1626-000		1	BUSHING		
26	FU7-2654-000		1	SPRING, TENSION		
27	FU7-2655-000		2	SPRING, COMPRESSION		
28	FU7-2656-000		1	SPRING, TORSION		
29	FU8-0302-000		1	GEAR, 24T		
501	XB4-5301-005		4	SCREW,P,M3X10		
502	XD2-1100-402		1	RETAINING RING (E-TYPE)		

FIGURE & KEY NO.	PARTS NUMBER	R A N K	Q'TY	DESCRIPTION	SERIAL NUMBER/ REMARKS	S V C
503	XD3-2200-102		1	PIN, PARALLEL		

# FIGURE A13 DOCUMENT TRAY ASSEMBLY (ADF model)

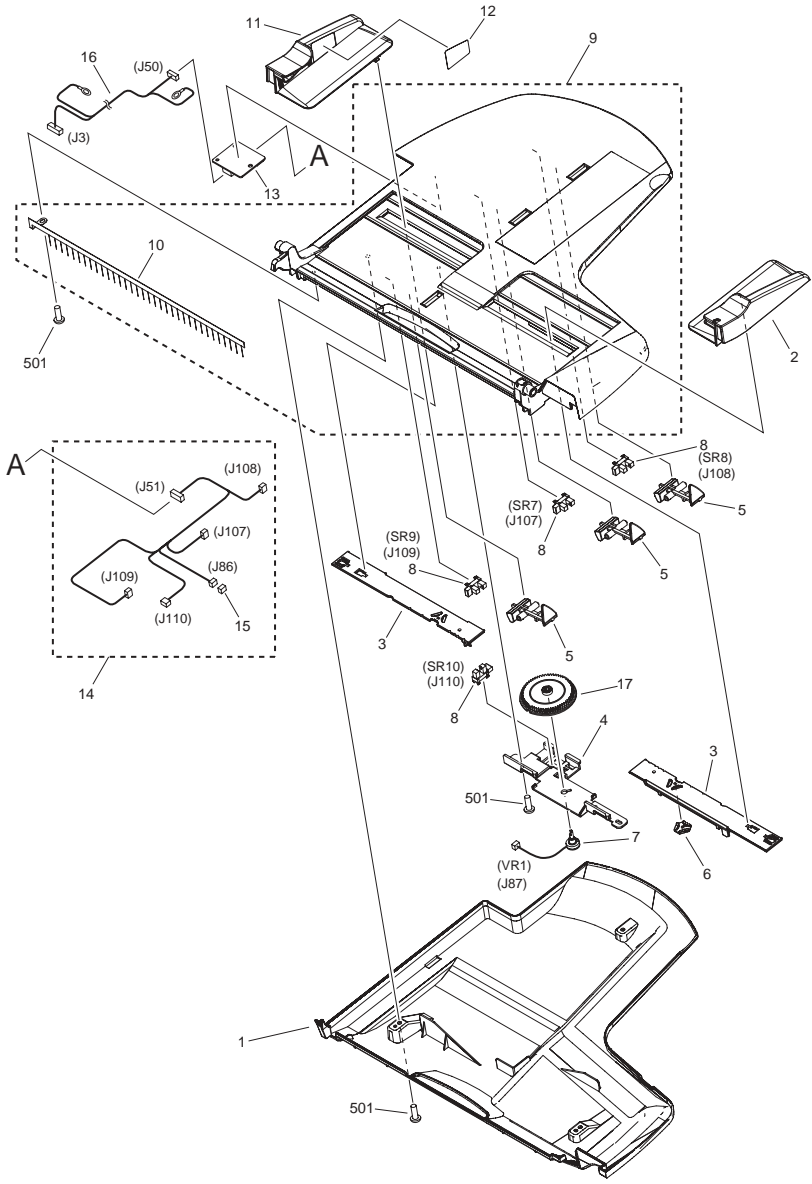


FIGURE & KEY NO.	PARTS NUMBER	R A N K	Q'TY	DESCRIPTION	SERIAL NUMBER/ REMARKS	S V C
Fig.A13	FM3-6890-000		1	DOCUMENT TRAY ASSEMBLY	ADF model	
1	FL2-9941-000		1	COVER, TRAY, LOWER		
2	FC8-6335-000		1	GUIDE, TRAY, FRONT		
3	FC8-6337-000		2	RACK, TRAY		
4	FC8-6338-000		1	HOLDER, TRAY VOLUME		
5	FC8-6339-000		3	LEVER, TRAY SENSOR		
6	FC8-6340-000		1	RACK, TRAY		
7	FG3-3757-000		1	VARIABLE RESISTOR UNIT	VR1,J87	
8	WG8-5696-000		4	PHOTO INTERRUPTER, TLP1243	SR7,J107 SR8,J108 SR9,J109 SR10,J110	
9	FL2-9943-000		1	TRAY, DOCUMENT		
10	FC8-6341-000		1	ELIMINATOR, STATIC CHARGE		
11	FC8-6336-000		1	GUIDE, TRAY, REAR		
12	FU6-8741-000		1	LABEL, DOCUMENT MAXIMUM LOAD		
13	FM3-6915-000		1	CONNECTING PCB		
14	FM3-6932-000		1	CABLE, TRAY SENSOR	J107,J108,J109,J110	
15	VS1-7177-003		1	CONNECTOR, SNAP TIGHT, BK		
16	FM3-6933-000		1	CABLE, RELAY	J3,J50	
17	FU8-0298-000		1	GEAR, 62T		
501	XB4-5301-005		6	SCREW,P,M3X10		



FIGURE A21  
DRIVE ASSEMBLY (ADF model)

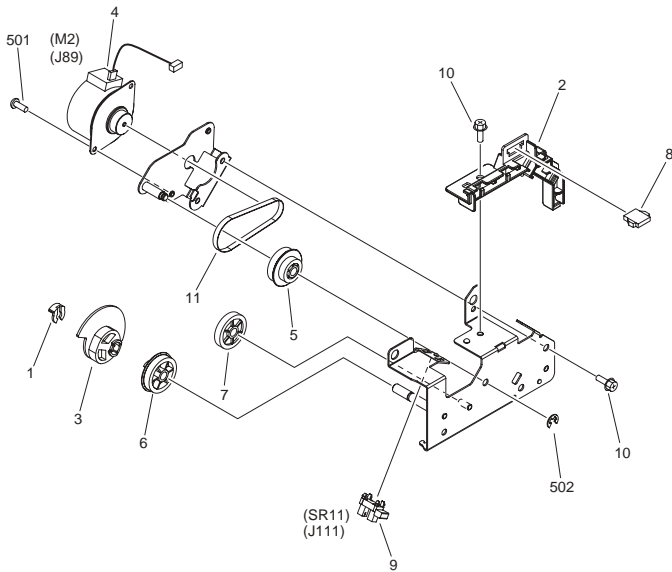
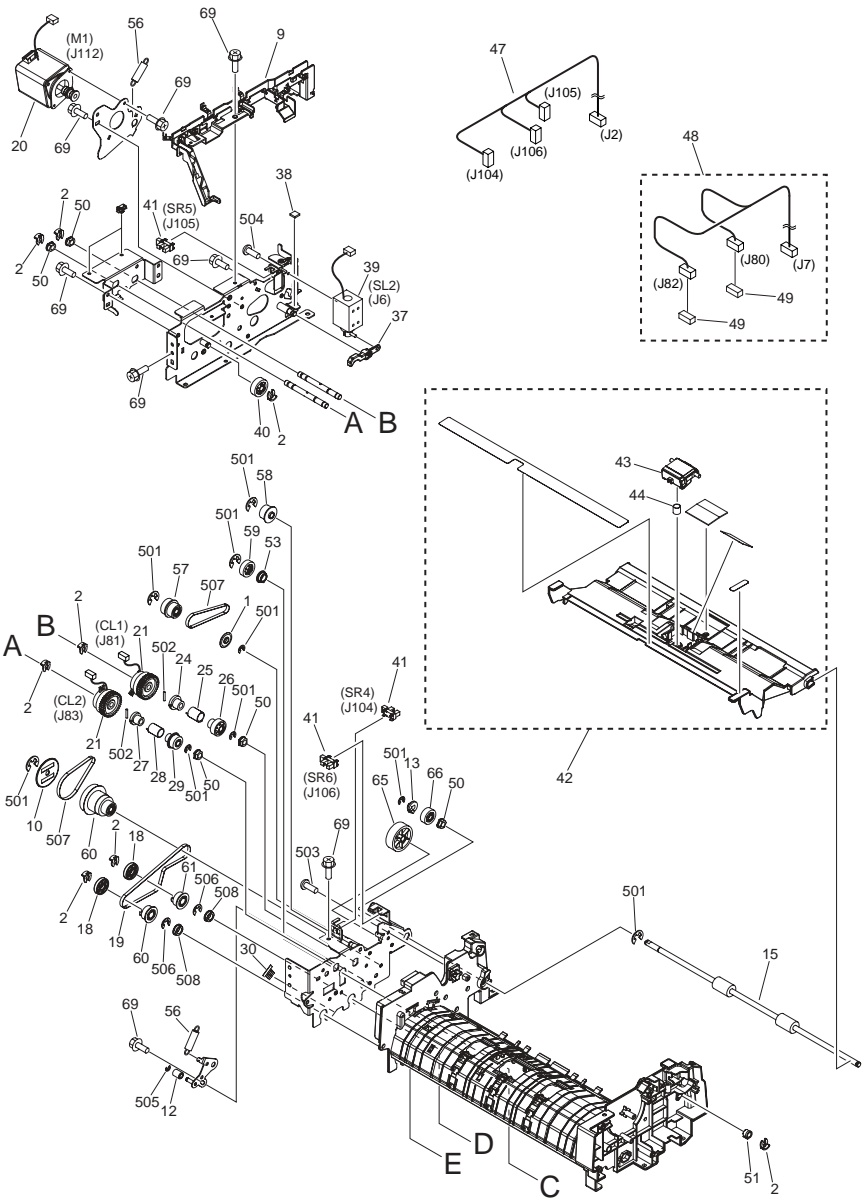


FIGURE & KEY NO.	PARTS NUMBER	R A N K	Q'TY	DESCRIPTION	SERIAL NUMBER/ REMARKS	S V C
Fig.A21	NPN		RF	DRIVE ASSEMBLY	ADF model	
1	FC5-4425-000		2	CLIP		
2	FC8-6406-000		1	DUCT, ESTRANGEMENT HARNESS		
3	FC8-6407-000		1	CAM, ESTRANGEMENT		
4	FK2-0207-000		1	MOTOR, STEPPING, DC	M2,J89	
5	FU8-0311-000		1	PULLEY/GEAR, 40T/20T		
6	FU8-0319-000		1	GEAR, 31T		
7	FU8-0320-000		1	GEAR, 30T		
8	VS1-7177-004		1	CONNECTOR, SNAP TIGHT, BK		
9	WG8-5696-000		1	PHOTO INTERRUPTER, TLP1243	SR11,J111	
10	XA9-0732-000		3	SCREW,RS,M4		
11	XF2-1607-640		1	BELT, TIMING		
501	XB1-2300-309		2	SCREW, MACHINE M3X3,S		
502	XD2-1100-402		1	RETAINING RING (E-TYPE)		

# FIGURE A41 FEEDER ASSEMBLY (ADF model)



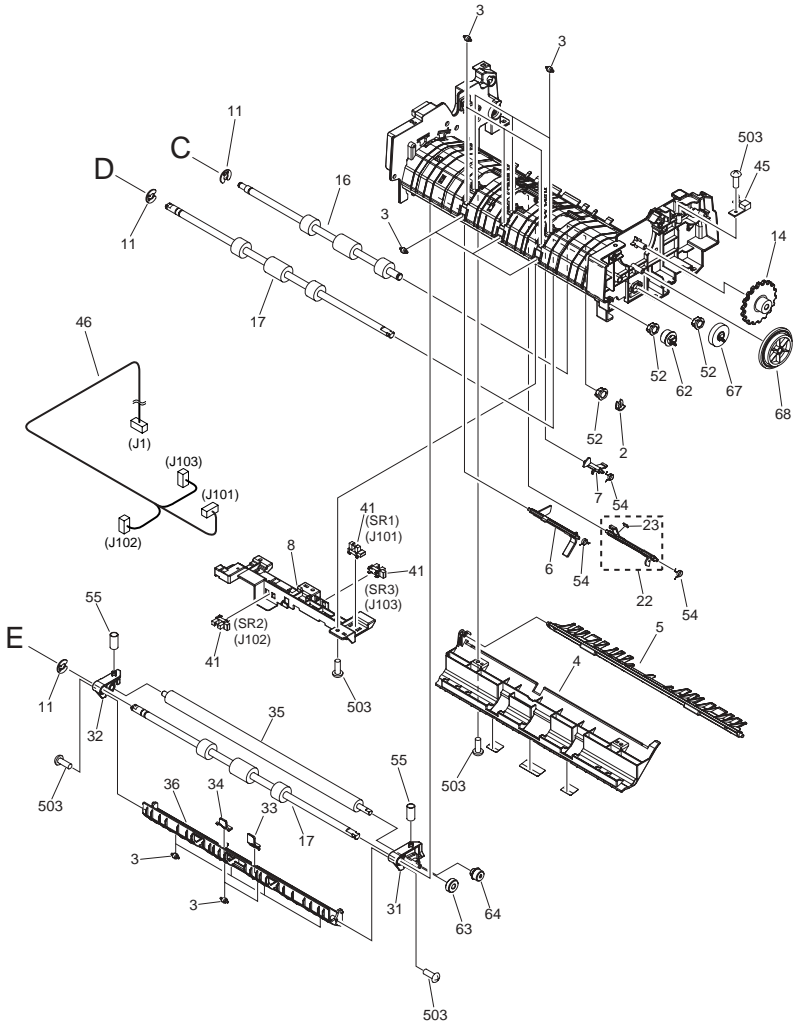


FIGURE & KEY NO.	PARTS NUMBER	R A N K	Q'TY	DESCRIPTION	SERIAL NUMBER/ REMARKS	S V C
Fig.A41	FM3-6887-000		1	FEEDER ASSEMBLY	ADF model	
1	FC5-4353-000		1	FLANGE, BELT		
2	FC5-4425-000		9	CLIP		
3	FC6-8973-000		15	ROLLER, PLATEN		
4	FC8-6368-000		1	GUIDE, PLATEN, 2		
5	FC8-6369-000		1	FLAPPER, REVERSE		
6	FC8-6371-000		1	LEVER, READ SENSOR		
7	FC8-6372-000		1	LEVER, PAPER DELIVERY SENSOR		
8	FC8-6377-000		1	HOLDER, SENSOR		
9	FC8-6378-000		1	DUCT, HARNESS		
10	FC8-6379-000		1	FLANGE, PULLEY		
11	FC8-6380-000		3	CLIP		
12	FC8-6382-000		1	ROLLER, BELT TENSION		
13	FC8-6385-000		1	JOINT, DELIVERY GEAR		
14	FC8-6386-000		1	DIAL, JAM		
15	FC8-6395-000		1	ROLLER, DELIVERY		
16	FC8-6396-000		1	ROLLER, REGISTRATION		
17	FC8-6397-000		2	ROLLER, READ		
18	FC8-6418-000		2	JOINT, READ PULLEY		
19	FC8-6421-000		1	BELT, TIMING		
20	FK2-6869-000		1	MOTOR, STEPPING, DC	M1,J112	
21	FK2-6870-000		2	CLUTCH, ELECTROMAGNETIC	CL1,J81 CL2,J83	
22	FL2-9937-000		1	FLAG, REGISTRATION SENSOR		
23	FC8-6402-000		1	DAMPER, SENSOR LEVER		
24	FC8-6383-000		1	JOINT, PICK-UP		
25	FC8-6411-000		1	SPRING, TORSION		
26	FU8-0304-000		1	GEAR, 22T		
27	FC8-6384-000		1	JOINT, REGISTRATION		
28	FC8-6412-000		1	SPRING, TORSION		
29	FU8-0307-000		1	GEAR, 18T		
30	FC8-6399-000		1	ELIMINATOR, STATIC CHARGE		
31	FC8-6373-000		1	ARM, PLATEN, FRONT		

FIGURE & KEY NO.	PARTS NUMBER	R A N K	Q'TY	DESCRIPTION	SERIAL NUMBER/ REMARKS	S V C
32	FC8-6374-000		1	ARM, PLATEN, REAR		
33	FC8-6375-000		1	SPACER, READ, FRONT		
34	FC8-6376-000		1	SPACER, READ, REAR		
35	FC8-6398-000		1	ROLLER, WHITE		
36	FL2-9939-000		1	GUIDE, PLATEN, 1		
37	FC8-6381-000		1	LINK, SOLENOID		
38	FC8-6403-000		1	DAMPER, REV. GUIDE RETAINING		
39	FK2-6871-000		1	SOLENOID	SL2,J6	
40	FU8-0306-000		1	GEAR, 25T		
41	WG8-5696-000		6	PHOTO INTERRUPTER, TLP1243	SR1,J101 SR2,J102 SR3,J103 SR4,J104 SR5,J105 SR6,J106	
42	FM3-6898-000		1	GUIDE, SEPARATION REVERSE		
43	FL2-9942-000		1	HOLDER, SEPARATION PAD UNIT		
44	FU7-2657-000		1	SPRING, COMPRESSION		
45	FM3-6916-000		1	LED PCB		
46	FM3-6930-000		1	CABLE, PASS SENSOR	J1,J101,J102,J103	
47	FM3-6931-000		1	CABLE, PICK-UP SENSOR	J2,J104,J105,J106	
48	FM3-6934-000		1	CABLE, CLUTCH	J7,J80,J82	
49	VS1-7177-002		2	CONNECTOR, SNAP TIGHT, BK		
50	FU5-1172-000		5	BUSHING		
51	FU5-1626-000		1	BUSHING		
52	FU6-1088-000		3	BUSHING		
53	FU6-1089-000		1	BUSHING		
54	FU7-2658-000		3	SPRING, TORSION		
55	FU7-2659-000		2	SPRING, COMPRESSION		
56	FU7-2660-000		2	SPRING, TENSION		
57	FU8-0303-000		1	PULLEY/GEAR, 27T/22T		
58	FU8-0305-000		1	GEAR, 18T		
59	FU8-0308-000		1	GEAR, 22T		
60	FU8-0309-000		1	PULLEY/GEAR, 36T/54T/28T		
61	FU8-0310-000		2	PULLEY, 36T		
62	FU8-0312-000		1	GEAR, 18T		

FIGURE & KEY NO.	PARTS NUMBER	R A N K	Q'TY	DESCRIPTION	SERIAL NUMBER/ REMARKS	S V C
63	FU8-0313-000		1	GEAR, 18T		
64	FU8-0314-000		1	GEAR, 14T		
65	FU8-0315-000		1	GEAR, 39T		
66	FU8-0316-000		1	GEAR, 21T		
67	FU8-0317-000		1	GEAR, 32T		
68	FU8-0318-000		1	GEAR, 48T/62T		
69	XA9-1164-000		8	SCREW,RS,M3X6.5		
501	XD2-1100-402		8	RETAINING RING (E-TYPE)		
502	XD3-2200-122		2	PIN, DOWEL		
503	XB4-5301-005		10	SCREW,P,M3X10		
504	XB1-2300-309		2	SCREW, MACHINE M3X3,S		
505	XD2-1100-322		1	RETAINING RING (E-TYPE)		
506	XD2-1100-642		2	RING,E		
507	XF2-1607-640		2	BELT, TIMING		
508	XG9-0507-000		2	BEARING, BALL, MF128ZZ		

# FIGURE A90

## ADF CONTROLLER PCB ASSEMBLY (ADF model)

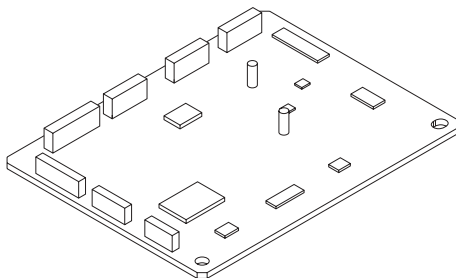


FIGURE & KEY NO.	PARTS NUMBER	R A N K	Q'TY	DESCRIPTION	SERIAL NUMBER/ REMARKS	S V C
Fig.A90	FM3-6914-000		1	ADF CONTROLLER PCB ASSEMBLY		



# FIGURE T21 ATTACHMENT PARTS (FAX model)

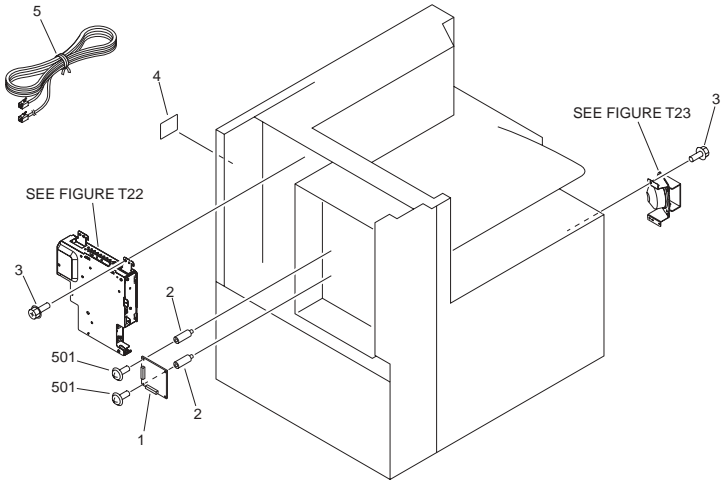


FIGURE & KEY NO.	PARTS NUMBER	R A N K	QTY	DESCRIPTION	SERIAL NUMBER/ REMARKS	S V C
Fig.T21	NPN		RF	ATTACHMENT PARTS	FAX model	
1	FM3-5617-000		1	G3 FAX EXPANSION PCB ASSEMBLY		
2	VT2-5198-016		2	SPACER, PCB		
3	XA9-1386-000		6	SCREW,RS,M3X8		
4	FC8-9326-000		1	LABEL, MODULAR JACK		
5	HH2-2824-000		1	MODULAR CORD, 2P		
501	XB6-7300-607		4	SCREW, CROSS-RECESS, FCH		

# FIGURE T22 FAX ASSEMBLY (FAX model)

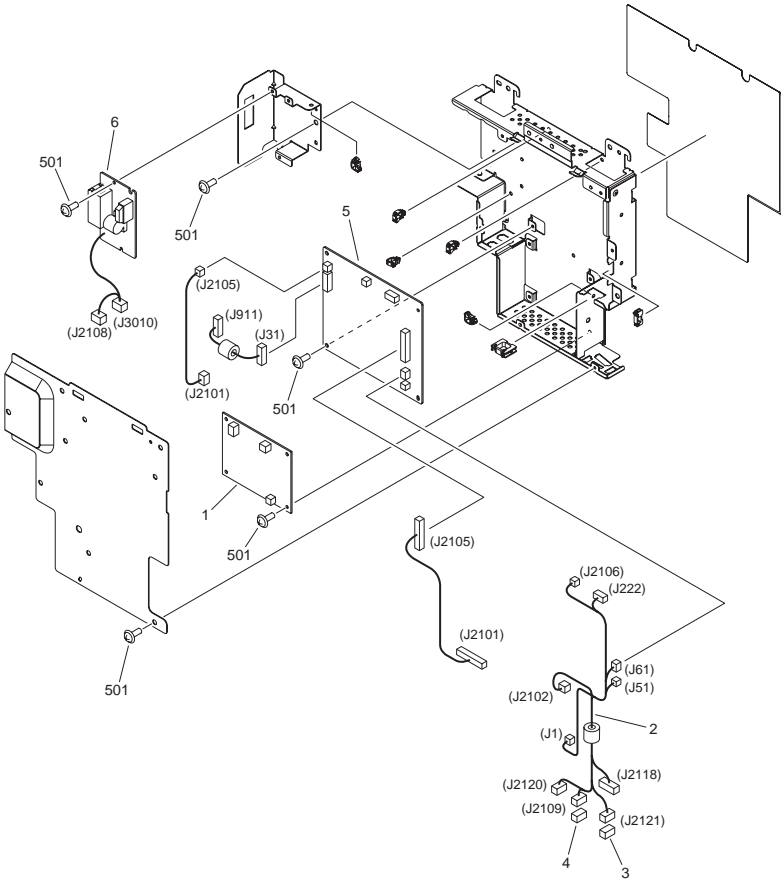


FIGURE & KEY NO.	PARTS NUMBER	RANK	Q'TY	DESCRIPTION	SERIAL NUMBER/REMARKS	SVC
Fig.T22	NPN		RF	FAX ASSEMBLY	FAX model	
1	FM3-5580-000		1	PSEUDO CI2 PCB ASSEMBLY		
2	FM3-5101-000		1	CABLE, FAX POWER SUPPLY		
3	VS1-7177-002		1	CONNECTOR, SNAP TIGHT, BK		
4	VS1-7177-003		1	CONNECTOR, SNAP TIGHT, BK		
5	FM3-5586-000		1	G3 FAX PCB ASSEMBLY		
6	FM3-5587-000		1	G3 MODULAR PCB ASSEMBLY		
501	XB6-7300-607		17	SCREW, CROSS-RECESS, FCH		

# FIGURE T23 SPEAKER ASSEMBLY (FAX model)

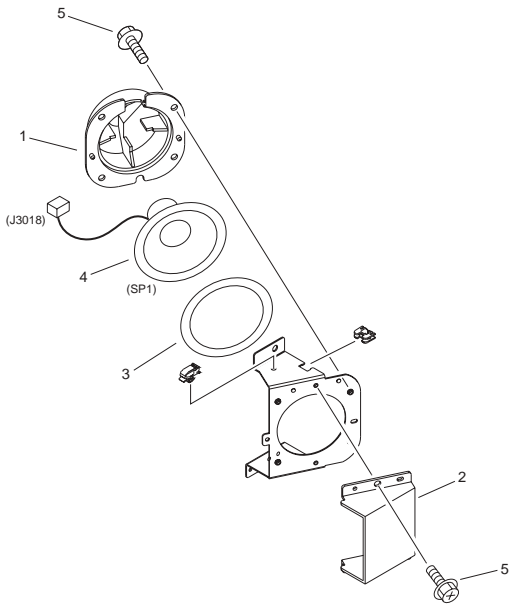


FIGURE & KEY NO.	PARTS NUMBER	RANK	QTY	DESCRIPTION	SERIAL NUMBER/REMARKS	SVC
Fig.T23	NPN		RF	SPEAKER ASSEMBLY	FAX model	
1	FC5-5472-000		1	HOLDER, SPEAKER		
2	FC5-5473-000		1	DUCT, SPEAKER		
3	FC6-5059-000		1	DAMPER, RUBBER		
4	FK2-0428-000		1	SPEAKER	SP1	
5	XA9-1386-000		6	SCREW,RS,M3X8		

Prepared by  
OIP HFE Promotion Center  
CANON INC.

**Canon**