

**iR 1600/2000/
1610F/2010F**

**PARTS
CATALOG**

REVISION 0

Canon

APR. 2002

FY8-31FV-000

PREFACE

This Parts Catalog contains listings of parts used in the Canon iR1600/2000/1610F/2010F. Diagrams are provided with the listings to aid the service technician in identifying clearly, the item to be ordered.

Whenever ordering parts, consult this Parts Catalog for all of the information pertaining to each item. Be sure to include, in the Parts Request, the full item description, the item part number, and the quantity.

Canon Inc.

Office Imaging Products Quality Assurance Center
5-1, Hakusan 7-chome,
Toride-city, Ibaraki 302-8501, Japan

COPYRIGHT © 2002 CANON INC.

Printed in Japan

Imprimé au Japon

Use of this manual should be strictly supervised to avoid disclosure of confidential information.

CONTENTS

– iR1600/2000/1610F/2010F –	
A. ASSEMBLY LOCATION DIAGRAM	RB1. LIST OF CONNECTORS (F1 TYPE)
	RB2. LIST OF CONNECTORS (G1 TYPE)
	RB3. LIST OF CONNECTORS (H1 TYPE)
100. EXTERNAL COVERS, PANELS, ETC.	
101. LEFT COVER ASSEMBLY	– Inner 2-way Tray-B1 –
102. INTERNAL COMPONENTS 1	QA. ASSEMBLY LOCATION DIAGRAM
103. INTERNAL COMPONENTS 2	
104. INTERNAL COMPONENTS 3	Q01. MOUNTING HARDWARE
105. INTERNAL COMPONENTS 4	
106. MACHINE REAR PLATE	Q30. DELIVERY ASSEMBLY
130. CONTROL PANEL ASSEMBLY(iR1600/2000)	
160. COPYBOARD COVER ASSEMBLY(iR1600/2000)	QB. LIST OF CONNECTORS
161. ADF ASSEMBLY(iR1610F/2010F)	
162. DOCUMENT TRAY ASSEMBLY(iR1610F/2010F)	– PRINTER BOARD-N1 –
163. OPEN/CLOSE PANEL ASSEMBLY(iR1610F/2010F)	
164. ADF PAPER FEEDER ASSEMBLY(iR1610F/2010F)	UA. ASSEMBLY LOCATION DIAGRAM
210. READER ASSEMBLY	U10. PS/PCL PRINTER BOARD ASSEMBLY
260. PRINTER DRIVE ASSEMBLY	U11. NETWORK I/F BOARD ASSEMBLY
	U12. OPTION ROM
	U13. HARD DISK
300. CASSETTE	
310. CASSETTE FEEDER ASSEMBLY	
311. PAPER PICK-UP ASSEMBLY	
312. PICK-UP GUIDE ASSEMBLY	
315. MULTI-PURPOSE TRAY ASSEMBLY	
640. DEVELOPING ASSEMBLY	– Super G3 FAX Expansion Kit-B1 –
810. FIXING ASSEMBLY	GA. ASSEMBLY LOCATION DIAGRAM
B. LIST OF CONNECTORS	G11. FAX ASSEMBLY
	C. LIST OF STANDARD FASTENERS
	D1. NUMERICAL INDEX
RA. ASSEMBLY LOCATION DIAGRAM	(iR1600/2000/1610F/2010F)
R11. INTERNAL COMPONENTS (F1 TYPE)	D2. NUMERICAL INDEX
R12. INTERNAL COMPONENTS (G1 TYPE)	(Cassette Feeding Module-F1/G1/H1)
R13. INTERNAL COMPONENTS (H1 TYPE)	D3. NUMERICAL INDEX
	(Inner 2-way Tray-B1)
R40. CASSETTE FEEDER ASSEMBLY	D4. NUMERICAL INDEX
R41. CASSETTE FEEDER ASSEMBLY (G1/H1 TYPE)	(PRINTER BOARD-N1)
R42. PAPER PICK-UP ASSEMBLY	D5. NUMERICAL INDEX
R43. PAPER PICK-UP ASSEMBLY (G1/H1 TYPE)	(Super G3 FAX Expansion Kit-B1)

iR1600/2000/ 1610F/2010F

LIST OF SERIAL NUMBER

iR1600

120V 60Hz	F14-2101	MQT00001-
220V 50Hz	F14-2110	RSP00001-
220V 60Hz	F14-2120	RSQ00001-
220V 50Hz	F14-2121	QSK00001-
220V 50Hz	F14-2121	RSM00001-
120V 60Hz	F14-2131	MQS00001-
220V 50Hz	F14-2141	QSL00001-
220V 50Hz	F14-2141	RSN00001-
240V 50Hz	F14-2151	QEN00001-
240V 50Hz	F14-2151	QFB00001-
240V 50Hz	F14-2161	REN00001-
240V 50Hz	F14-2161	RFJ00001-
220V 50Hz	F14-2171	SDM00001-
220V 50Hz	F14-2171	SED00001-
220V 50Hz	F14-2181	TDW00001-
220V 50Hz	F14-2181	TEN00001-
220V 50Hz	F14-2191	UHR00001-
220V 50Hz	F14-2191	UJJ00001-

iR2000

120V 60Hz	F14-2103	MQV00001-
220V 50Hz	F14-2123	QSM00001-
220V 50Hz	F14-2123	RSS00001-
220V 50Hz	F14-2130	RST00001-
120V 60Hz	F14-2133	MQU00001-
220V 60Hz	F14-2140	RSU00001-
220V 50Hz	F14-2143	QSN00001-
220V 50Hz	F14-2143	RSV00001-
240V 50Hz	F14-2153	QEQ00001-
240V 50Hz	F14-2153	QFC00001-
240V 50Hz	F14-2163	REP00001-
240V 50Hz	F14-2163	RFK00001-
220V 50Hz	F14-2173	SDP00001-
220V 50Hz	F14-2173	SEE00001-
220V 50Hz	F14-2183	TDY00001-
220V 50Hz	F14-2183	TEP00001-
220V 50Hz	F14-2193	UHS00001-
220V 50Hz	F14-2193	UJK00001-

iR1610F

120V 60Hz	F14-2105	MRV00001-
220V 50Hz	F14-2125	SSH00001-
220V 50Hz	F14-2145	SSJ00001-
220V 50Hz	F14-2150	RRF00001-
240V 50Hz	F14-2155	QFD00001-
220V 60Hz	F14-2160	RRG00001-
240V 50Hz	F14-2165	RFQ00001-
220V 50Hz	F14-2175	SEJ00001-
220V 50Hz	F14-2185	TET00001-
220V 50Hz	F14-2195	UJS00001-

iR2010F

120V 60Hz	F14-2107	MRW00001-
220V 50Hz	F14-2127	SSK00001-
120V 60Hz	F14-2137	MRU00001-
220V 50Hz	F14-2147	SSL00001-
240V 50Hz	F14-2157	QFF00001-
240V 50Hz	F14-2167	RFR00001-
220V 50Hz	F14-2170	RRK00001-
220V 50Hz	F14-2177	SEK00001-
220V 60Hz	F14-2180	RRL00001-
220V 50Hz	F14-2187	TEU00001-
220V 50Hz	F14-2197	UJT00001-

CONTENTS

– iR1600/2000/1610F/2010F –

- A. ASSEMBLY LOCATION DIAGRAM
 - 100. EXTERNAL COVERS, PANELS, ETC.
 - 101. LEFT COVER ASSEMBLY
 - 102. INTERNAL COMPONENTS 1
 - 103. INTERNAL COMPONENTS 2
 - 104. INTERNAL COMPONENTS 3
 - 105. INTERNAL COMPONENTS 4
 - 106. MACHINE REAR PLATE
 - 130. CONTROL PANEL ASSEMBLY(iR1600/2000)
 - 160. COPYBOARD COVER ASSEMBLY(iR1600/2000)
 - 161. ADF ASSEMBLY(iR1610F/2010F)
 - 162. DOCUMENT TRAY ASSEMBLY(iR1610F/2010F)
 - 163. OPEN/CLOSE PANEL ASSEMBLY(iR1610F/2010F)
 - 164. ADF PAPER FEEDER ASSEMBLY(iR1610F/2010F)

 - 210. READER ASSEMBLY
 - 260. PRINTER DRIVE ASSEMBLY

 - 300. CASSETTE
 - 310. CASSETTE FEEDER ASSEMBLY
 - 311. PAPER PICK-UP ASSEMBLY
 - 312. PICK-UP GUIDE ASSEMBLY
 - 315. MULTI-PURPOSE TRAY ASSEMBLY

 - 640. DEVELOPING ASSEMBLY

 - 810. FIXING ASSEMBLY

- B. LIST OF CONNECTORS

- D1. NUMERICAL INDEX
(iR1600/2000/1610F/2010F)

FIGURE A ASSEMBLY LOCATION DIAGRAM (1/3)

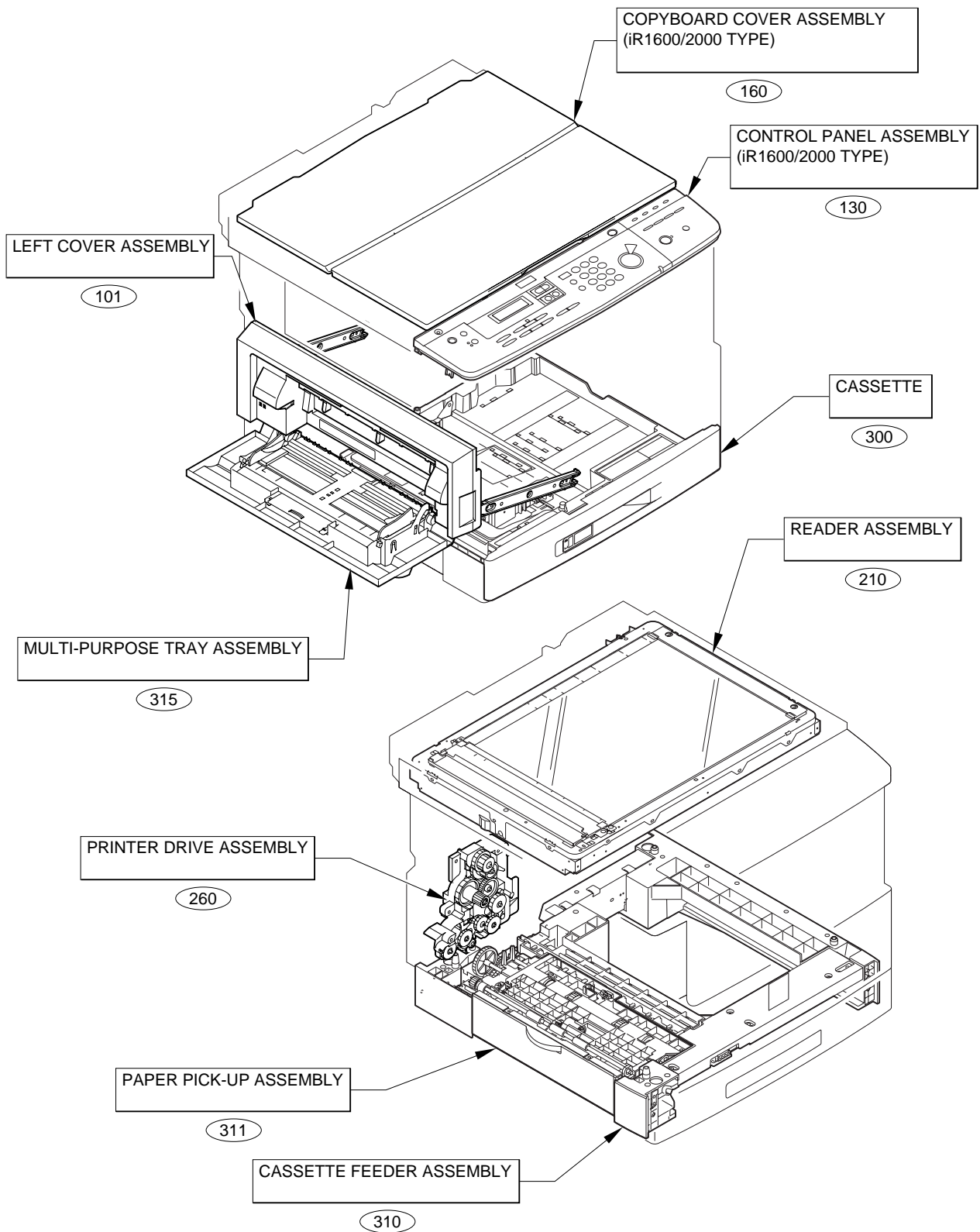


FIGURE A ASSEMBLY LOCATION DIAGRAM (2/3)

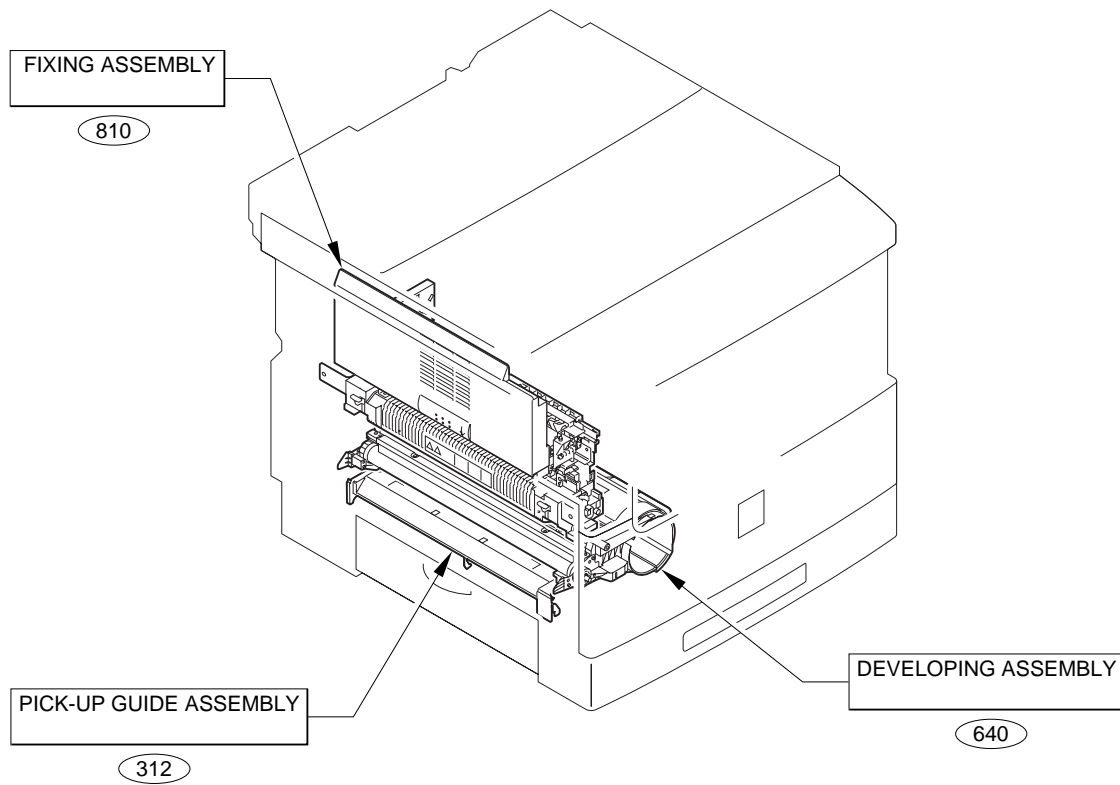


FIGURE A ASSEMBLY LOCATION DIAGRAM (3/3)

iR1610F/2010F

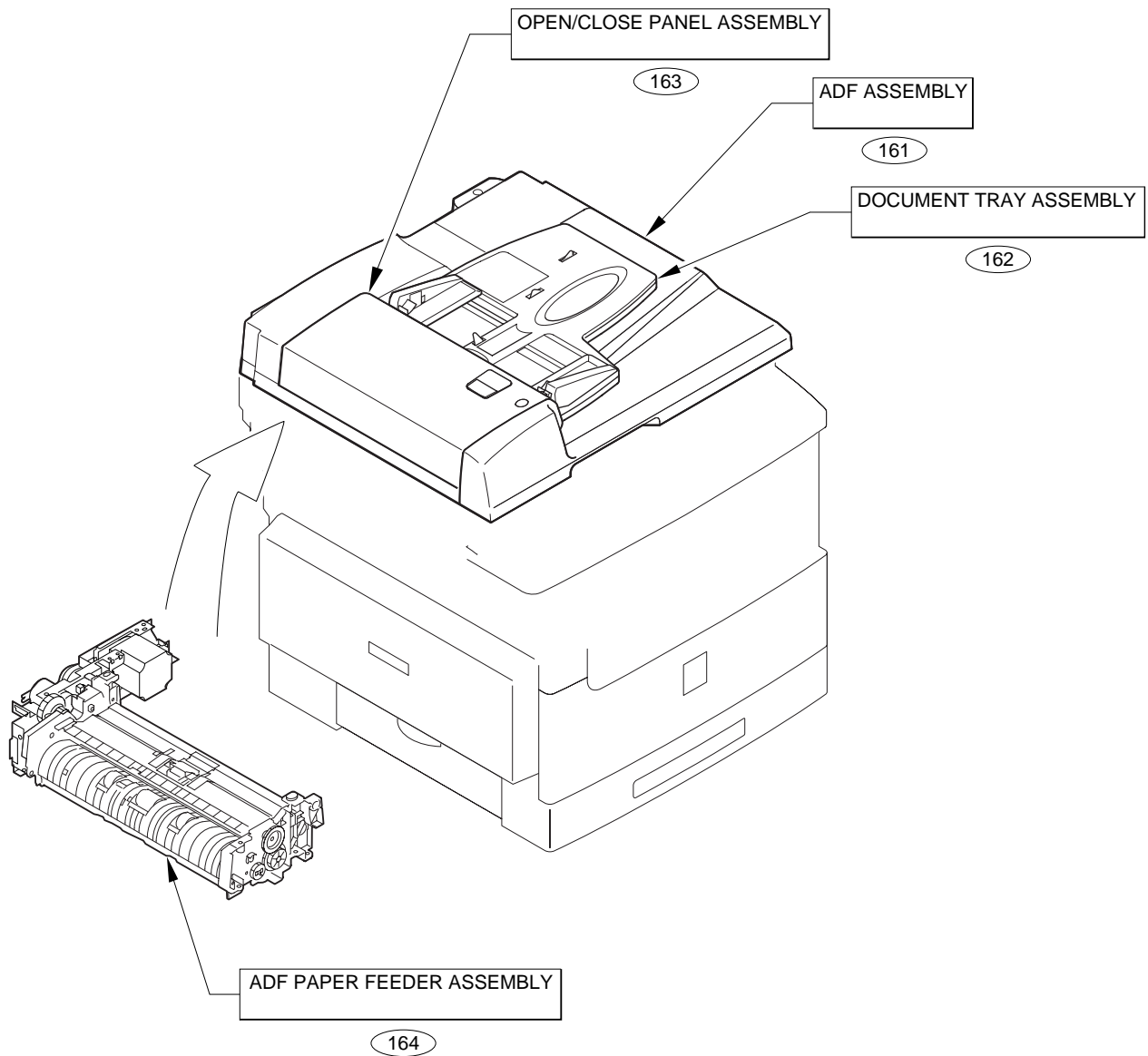


FIGURE & KEY NO.	PART NUMBER	RANK	QTY	DESCRIPTION	SERIAL NUMBER / REMARKS
100 -	NPN		RF	EXTERNAL COVERS, PANELS, ETC.	
1	FB3-2224-000		2	PIN, HINGE	
2	FB6-1244-000		1	COVER, INTERFACE CONNECTOR	
3	FB6-2127-000		1	PANEL, REAR	IR1600/2000
	FB6-1998-000		1	PANEL, REAR	IR1610F/2010F
4	FB6-1264-000		1	COVER, BLANKING	
5	FB6-1265-000		1	PANEL, CONTROL PANEL LOWER	
6	FB1-7157-000		1	COVER, BLANKING, REAR	
7	FB6-1309-000		1	PANEL, READER REAR	
8	FF6-1622-000		1	PANEL, READER LEFT	
9	FB6-1352-000		1	PANEL, READER RIGHT	
10	FB6-1353-000		1	PANEL, READER FRONT	
11	FF6-1631-000		1	PANEL, RIGHT	
12	FB6-1386-000		1	PANEL, RIGHT UPPER	
13	FF6-1630-000		1	TRAY, COPY	
14	FB6-1547-000		1	PANEL, DELIVERY REAR	
15	FB6-1607-000		1	PANEL, FEEDER REAR	IR1600/1610F
	FB6-1607-000		2	PANEL, FEEDER REAR	IR2000/2010F
16	FB6-1672-000		1	PANEL, RIGHT FRONT	
17	FB6-1673-000		1	PANEL, RIGHT FRONT INNER	
18	FB6-1692-000		1	PANEL, LEFT FRONT, 1	
19	FB6-1693-000		1	PANEL, LEFT REAR	
20	FB6-1694-000		1	PANEL, DELIVERY UPPER	
21	FB6-1695-000		1	PANEL, LEFT FRONT, 2	
22	FB6-1951-000		1	EMBLEM	IR1600 120V
	FB6-1941-000		1	EMBLEM	IR1600 220/240V
	FB6-1952-000		1	EMBLEM	IR2000 120V
	FB6-1944-000		1	EMBLEM	IR2000 220/240V
	FB6-1955-000		1	EMBLEM	IR1610F
	FB6-1958-000		1	EMBLEM	IR2010F 120V

FIGURE & KEY NO.	PART NUMBER	RANK	QTY	DESCRIPTION	SERIAL NUMBER / REMARKS
100 - 22	FB6-1956-000		1	EMBLEM	IR2010F 220/240V
23	FB4-5584-000		1	STRAP, DOOR SUPPORT	
24	FF6-1700-000		1	PANEL, FRONT	
25	XA9-0629-000		3	SCREW,RS,M4X8	
26	FB4-5502-000		1	CLAMP, CABLE	
27	FB6-2141-000		1	LABEL, JAM	ENGLISH
	FB6-2142-000		1	LABEL, JAM	FRENCH
	FB6-2143-000		1	LABEL, JAM	GERMAN
	FB6-2144-000		1	LABEL, JAM	SPANISH
	FB6-2145-000		1	LABEL, JAM	ITALIAN
	FB6-2208-000		1	LABEL, JAM	IR1600/2000 CHINESE
	FB6-2209-000		1	LABEL, JAM	IR1600/2000 KOREAN
28	FB6-1395-000		1	COVER, MODULAR JACK	IR1610F/2010F 120V
	FB6-1396-000		1	COVER, MODULAR JACK	IR1610F/2010F 220/240V
29	FB4-6728-000		1	LABEL, "SUPER G3"	MRU ONLY
501	XB1-2300-607		AR	SCREW,MACH.,TRUSS HEAD,M3X6	
502	XB4-7401-205		AR	SCREW,TAPPING,TRUSS HEAD,M4X12	
503	XB1-2300-407		7	SCREW,MACH.,TRUSS HEAD,M3X4	IR1600/2000
	XB1-2300-407		5	SCREW,MACH.,TRUSS HEAD,M3X4	IR1610F/2010F
504	XB4-5401-007		1	SCREW,P,M4X10	
505	XB4-7301-009		1	SCREW,TAPPING,TRUSS HEAD,M3X10	
506	XB2-5400-607		4	SCREW,W/WASHER,M4X6	

FIGURE 101 LEFT COVER ASSEMBLY

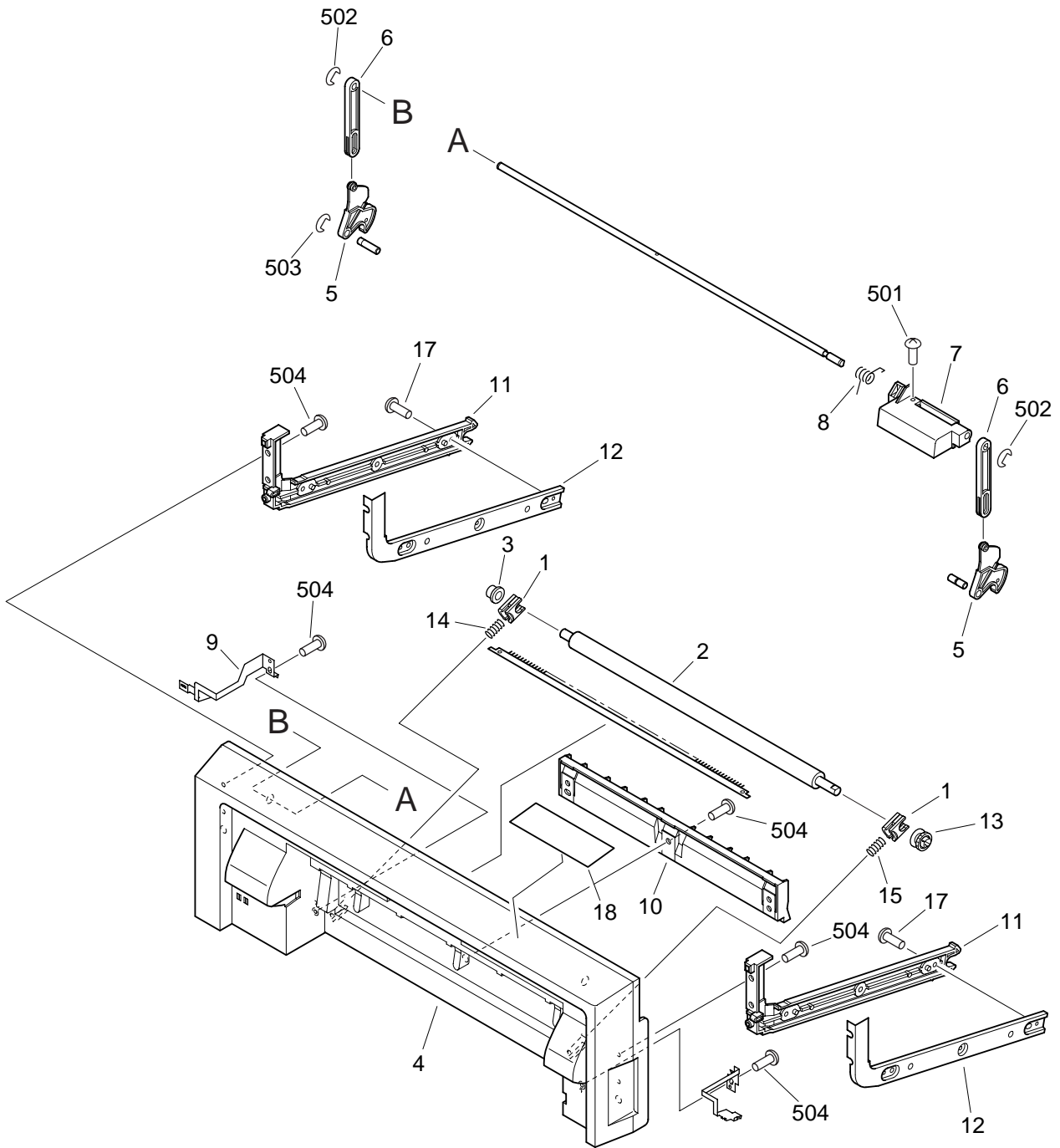


FIGURE & KEY NO.	PART NUMBER	R A N K	Q' T Y	DESCRIPTION	SERIAL NUMBER / REMARKS
101 -	NPN		RF	LEFT COVER ASSEMBLY	
1	FB5-8013-000		2	BUSHING	
2	FB5-8019-000		1	ROLLER, TRANSFER	
3	FB5-8020-000		1	ROLLER	
4	FB6-1421-000		1	PANEL, LEFT	
5	FB6-1422-000		2	LEVER, LOCK	
6	FB6-1425-000		2	LEVER, HANDLE	
7	FB6-1426-000		1	HANDLE	
8	FB6-1427-000		1	SPRING, TORSION	
9	FB6-1429-000		1	PLATE, GROUNDING	
10	FB6-1444-000		1	GUIDE, FEED	
11	FB6-1451-000		2	RAIL, LEFT PANEL	
12	FB6-1452-000		2	SUPPORT, RAIL	
13	FS7-0979-000		1	GEAR, 30T	
14	FS7-2584-000		1	SPRING, COMPRESSION	
15	FS7-2602-000		1	SPRING, COMPRESSION	
17	XA9-1116-000		6	SCREW,M3X5	
18	FB6-1461-000		1	LABEL, "LEFT DOOR CLOSE"	EXCEPT RSP/RSQ/RST EXCEPT RSU
	FB6-2214-000		1	LABEL, "LEFT DOOR CLOSE"	RSP/RSQ/RST/RSU
501	XB6-7300-607		1	SCREW,TP,M3X6	
502	XD2-1100-402		2	RING,E	
503	XD2-1100-502		1	RING,E	
504	XB4-5401-007		9	SCREW,P,M4X10	

FIGURE & KEY NO.	PART NUMBER	RANK	QTY	DESCRIPTION	SERIAL NUMBER / REMARKS
102 -	NPN		RF	INTERNAL COMPONENTS 1	
1	FB6-2061-000		1	CONNECTOR, BIAS, 1	
2	FB6-1380-000		1	COVER, INNER	
3	FB6-1382-000		2	PLATE, GROUNDING	
4	FB6-1387-000		1	HOLDER, SPEAKER	
5	FB6-1447-000		1	SUPPORT, RAIL, FRONT	
6	FB6-1448-000		1	SUPPORT, RAIL, REAR	
7	FB6-1450-000		2	SUPPORT, FRONT COVER	
8	FB6-1460-000		1	KNOB	
9	FB6-2053-000		1	HANDLE, DEVELOPING PRESSURE	
10	FB6-2062-000		1	CONNECTOR, BIAS, 2	
11	FH2-6894-000		1	CABLE, FLAT, 35P	J105,122
12	FH3-2650-000		1	POWER SUPPLY PCB ASSEMBLY	IR1600/2000 120V
	FH3-2655-000		1	POWER SUPPLY PCB ASSEMBLY	IR1600 RSP IR2000 RST
	FH3-2645-000		1	POWER SUPPLY PCB ASSEMBLY	IR1600 220V EXCEPT RSP/240V
	FH3-2654-000		1	POWER SUPPLY PCB ASSEMBLY	IR2000 220V EXCEPT RST/240V IR1610F/2010F 120V
	FH3-2649-000		1	POWER SUPPLY PCB ASSEMBLY	IR1610F 220/240V EXCEPT SSJ/RRF IR2010F 220/240V EXCEPT SSL/RRK
	FH3-2653-000		1	POWER SUPPLY PCB ASSEMBLY	IR1610F 220V SSJ/RRF IR2010F 220V SSL/RRK
13	FH2-6965-000		1	CORD, POWER	220V EXCEPT RSP/RST 220V EXCEPT RRF/RRK
14	FH5-3230-000		1	SPEAKER	SP1 J943
15	FB6-2137-000		1	LABEL, "TONER CARTRIDGE"	EXCEPT RSP/RSQ EXCEPT RST/RSU
	FB6-2211-000		1	LABEL, "TONER CARTRIDGE"	RSP/RSQ/RST/RSU
16	FB6-1669-000		1	HOLDER, FAN	
17	FB6-1700-000		1	DUCT, FAN	
18	FH6-1835-000		1	FAN	FM101 J951
19	FG6-8498-000		1	CABLE, SPEAKER	J244,943
19A	VS1-5057-002		1	CONNECTOR, SNAP TIGHT	J943
20	FB6-2140-000		1	LABEL, LOCK	

FIGURE & KEY NO.	PART NUMBER	RANK	QTY	DESCRIPTION	SERIAL NUMBER / REMARKS
102 - 21	XA9-0629-000		AR	SCREW,RS,M4X8	
22	FB6-2064-000		1	LEVER, DRUM COUPLING	
23	FB6-2065-000		1	COUPLING, DRUM, 1	
24	FB6-2066-000		1	COUPLING, DRUM, 2	
25	FB6-2071-000		1	HOLDER, DEVELOPING, FRONT	
26	FB6-2051-000		1	SUPPORT, PRESSURE SHAFT	
27	FB6-2054-000		2	CAM, DEVELOPING PRESSURE	
28	FB6-2055-000		1	SPRING, COMPRESSION	
29	FB6-2056-000		2	SPRING, COMPRESSION	
30	FB6-2057-000		1	BUSHING	
31	FB6-2067-000		1	SPRING, COMPRESSION	
32	FH2-6966-000		1	CORD, POWER	REN/RFJ/REP/RFK/RFQ RFR
33	RH2-5229-000		1	CORD, POWER	QEN/QFB/QEQ/QFC/QFD QFF
34	XA9-0772-000		2	SCREW, P, M3X8	
35	FH6-0816-000		1	CONTROL PANEL UNIT	MRU ONLY
	FH6-0817-000		1	CONTROL PANEL UNIT	UJS/UJT
	FH6-0818-000		1	CONTROL PANEL UNIT	SEJ/SEK
	FH6-0819-000		1	CONTROL PANEL UNIT	TET/TEU
	FH6-0820-000		1	CONTROL PANEL UNIT	SSH/SSK
	FH6-0821-000		1	CONTROL PANEL UNIT	QFD/QFF
	FH6-0822-000		1	CONTROL PANEL UNIT	MRV/MRW/SSJ/SSL/RRG RFQ/RFR/RRK/RRL
35A	FB6-1279-000		1	COVER, ONE TOUCH DIAL, UPPER	IR1610F/2010F
35B	FB6-1280-000		1	COVER, ONE TOUCH DIAL, MIDDLE	IR1610F/2010F
35C	FB6-1281-000		1	COVER, ONE TOUCH DIAL, LOWER	IR1610F/2010F
36	FH2-6967-000		1	CORD, POWER	RSP/RST/RRF/RRK
37	WT3-5147-000		1	POWER CORD, 120V	120V
501	XB4-7300-609		2	SCREW,TAPPING,TRUSS HEAD,M3X6	
502	XB4-7403-509		2	SCREW,TAPPING,TRUSS HEAD,M4X35	
503	XB1-2300-609		AR	SCREW,MACH.,TRUSS HEAD,M3X6	
504	XB1-2401-809		8	SCREW,MACH.,TRUSS HEAD,M4X18	

FIGURE 103 INTERNAL COMPONENTS 2

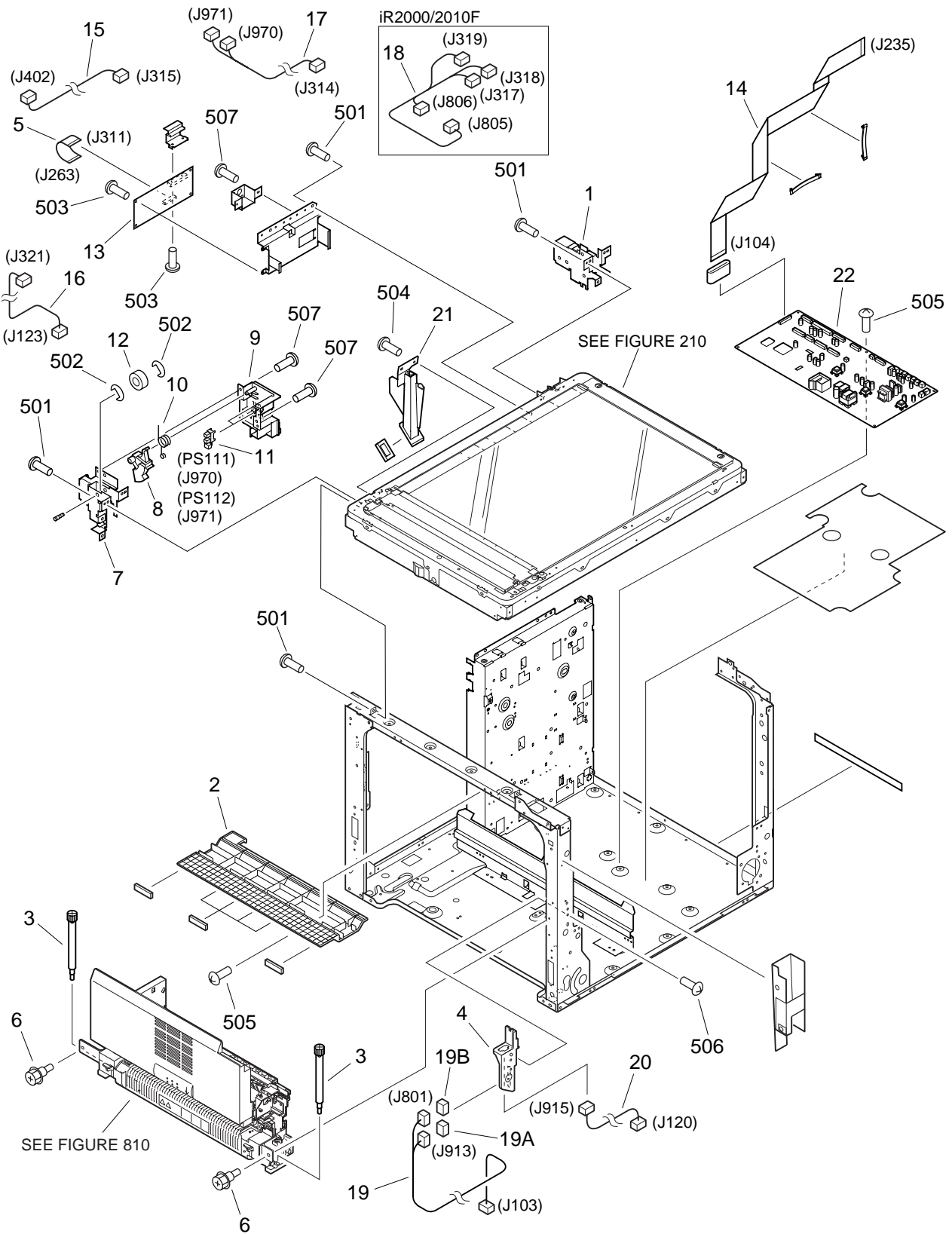


FIGURE & KEY NO.	PART NUMBER	RANK	QTY	DESCRIPTION	SERIAL NUMBER / REMARKS
103 -	NPN		RF	INTERNAL COMPONENTS 2	
1	FB6-1303-000		1	MOUNT, HINGE, RIGHT	
2	FB6-1350-000		1	SHIELD, READER HEAT	
3	FB6-1504-000		2	SCREW,STEEPED,M4	
4	FB6-1671-000		1	HOLDER, FIXING CONNECTOR	
5	FH2-6945-000		1	CABLE, FLAT	J263,311
6	FS5-9742-000		2	SCREW,STEPPED RS,M3	
7	FB6-1304-000		1	MOUNT, HINGE, LEFT	
8	FB6-1326-000		1	LEVER, SENSOR	
9	FB6-1327-000		1	HOLDER, SENSOR	
10	FB6-1328-000		1	SPRING, TORSION	
11	WG8-5362-000		2	IC, TLP1241, PHOTO-INTERRUPTER	PS111,112 J970,971
12	XG9-0480-000		1	BEARING, BALL, 695T12ZZ1MC5E	
13	FG6-8384-000		1	DOC.DET./READ.MOTOR PCB ASS'Y	
14	FH2-6942-000		1	CABLE, FLAT	J104,235
15	FG6-8459-000		1	CABLE, AP-DRIVER	J315,402
16	FG6-8460-000		1	CABLE, DRIVER-POWER	J123,321
17	FG6-8461-000		1	CABLE, COPYBOARD SENSOR	J314,970,971
18	FG6-8464-000		1	CABLE, DOCUMENT SIZE SENSOR	IR2000/2010F J317-319,805,806
19	FG6-8480-000		1	CABLE, PRINTER FRONT	J103,801,913
19A	VS1-5057-006		1	CONNECTOR, SNAP TIGHT	J913
19B	VS1-5057-007		1	CONNECTOR, SNAP TIGHT	J801
20	FG6-8486-000		1	CABLE, FIXING AC	J120,915
21	FB6-1252-000		1	DUCT, INTAKE	
22	FG6-8879-040		1	DC CONTROLLER PCB ASSEMBLY	IR1600/1610F
	FG6-8880-040		1	DC CONTROLLER PCB ASSEMBLY	IR2000/2010F
501	XB1-2300-609		AR	SCREW,MACH.,TRUSS HEAD,M3X6	
502	XD2-1100-402		2	RING,E	
503	XB2-8300-807		6	SCREW,W/WASHER,M3X8	
504	XB1-2400-609		2	SCREW,MACH.,TRUSS HEAD,M4X6	

FIGURE & KEY NO.	PART NUMBER	R A N K	Q' T Y	DESCRIPTION	SERIAL NUMBER / REMARKS
103 - 505	XB1-2300-607		AR	SCREW,MACH.,TRUSS HEAD,M3X6	
506	XB4-7400-809		1	SCREW,TAPPING,TRUSS HEAD,M4X8	
507	XB6-7300-607		4	SCREW,TP,M3X6	

FIGURE & KEY NO.	PART NUMBER	R A N K	Q' T Y	DESCRIPTION	SERIAL NUMBER / REMARKS
104 -	NPN		RF	INTERNAL COMPONENTS 3	
1	FA4-1159-000		1	RING, RETAINING	
2	FB5-8032-020		1	GEAR,36T	
3	FB6-1432-000		1	SPRING, LEAF	
4	FB6-2060-000		1	GUIDE, RAIL, FRONT	
5	FB6-1446-000		1	GUIDE, RAIL, REAR	
6	FH6-1832-000		1	MOTOR, DC	M101 J980
7	FH6-5001-020		1	SOLENOID	SL101 J904
8	FH7-5996-000		1	CLUTCH, ELECTROMAGNETIC	CL101 J905
9	FS5-9709-000		2	SCREW,STEPPED,M3	
10	FG6-7127-000		1	LASER/SCANNER UNIT	M102 J907,908,911
11	FB4-2007-000		1	RING, RETAINING	
12	FB5-8028-000		1	HOLDER, PAD	
13	FB5-8047-000		1	FLAG, SENSOR	
14	FG6-8890-000		1	CABLE, WASTE TONER SENSOR	J113,999
15	FB6-1364-000		1	HOLDER, TRANSFER CONTACT	
16	FB6-1368-000		1	PLATE, GROUNDING	
17	FB6-1372-000		1	PLATE, GROUNDING	
18	FB6-1383-000		1	PLATE, FIXING, FRONT	
19	FB6-1384-000		1	PLATE, FIXING, REAR	
20	FB6-1388-000		1	HOLDER, HIGH VOLTAGE CABLE	
21	FB6-1457-000		1	BUSHING	
22	FB6-1458-000		1	ROLLER, REGISTRATION	
23	FB6-1459-000		1	BUSHING	
24	FF6-1738-000		1	GUIDE, REGIST ROLLER	
25	FF6-1670-000		1	DEFLECTOR, PAPER PICK-UP	
26	FF6-1671-000		1	ROLLER, MULTI-PURPOSE PICK-UP	
27	FS7-2585-000		1	SPRING, COMPRESSION	
28	FS7-2587-000		2	SPRING, TENSION	
29	FS7-2589-000		4	SPRING, COMPRESSION	

FIGURE & KEY NO.	PART NUMBER	RANK	QTY	DESCRIPTION	SERIAL NUMBER / REMARKS
104 - 30	FS7-2590-000		1	SPRING, TORSION	
31	FB5-8158-000		1	BUSHING	
32	WG8-5362-000		3	IC, TLP1241, PHOTO-INTERRUPTER	PS101,105,120 J909,910,999
33	FG6-8468-000		1	CABLE, MULTI PAPER SENSOR	J108,910
34	FG6-8495-000		1	CABLE, TRANSFER CONTACT	
35	FG6-8499-000		1	CABLE, DEVELOPING CONTACT	
36	FG6-8500-000		1	CABLE, PRIMARY CONTACT	
37	FG6-8470-000		1	CABLE, DOOR SWITCH	DORSW1 J107,807
38	FG6-8481-000		1	CABLE, PRINTER REAR	DORSW2 J101,102,106,110,800 J807,901,904,905,907 J908,911,916,951,980
38A	VS1-5057-002		2	CONNECTOR, SNAP TIGHT	J904,905
38B	VS1-5057-003		2	CONNECTOR, SNAP TIGHT	J916,951
38C	VS1-5057-013		1	CONNECTOR, SNAP TIGHT	J800
38D	WC4-5126-000		1	MICROSWITCH	DORSW2
39	FG6-8483-000		1	CABLE, REGIST SENSOR	J909,916
40	FB6-2072-000		1	HOLDER, DEVELOPING, REAR	
41	FB6-2074-000		1	SPRING, COMPRESSION	
42	FF6-1766-000		1	SUPPORT, DRUM UNIT	
43	FB6-2068-000		1	HOLDER, SENSOR	
44	FB6-2069-000		1	FLAG, SENSOR	
45	FB6-2070-000		1	SPRING, TORSION	
46	FB6-2138-000		1	LABEL, RAIL GUIDE, 1	EXCEPT MRV/SSH
47	FB6-2139-000		1	LABEL, RAIL GUIDE, 2	EXCEPT MRV/SSH
48	FB6-2216-000		1	LABEL, "WARNING LASER"	RSP/RSQ/RST/RSU
501	XB4-7300-809		AR	SCREW,TAPPING,TRUSS HEAD,M3X8	
502	XB4-7400-809		AR	SCREW,TAPPING,TRUSS HEAD,M4X8	
503	XD1-1108-219		1	SHIM	
504	XD2-1100-502		1	RING,E	
505	XB4-7401-609		1	SCREW,TAPPING,TRUSS HEAD,M4X16	
506	XB4-7401-205		1	SCREW,TAPPING,TRUSS HEAD,M4X12	

FIGURE 105 INTERNAL COMPONENTS 4

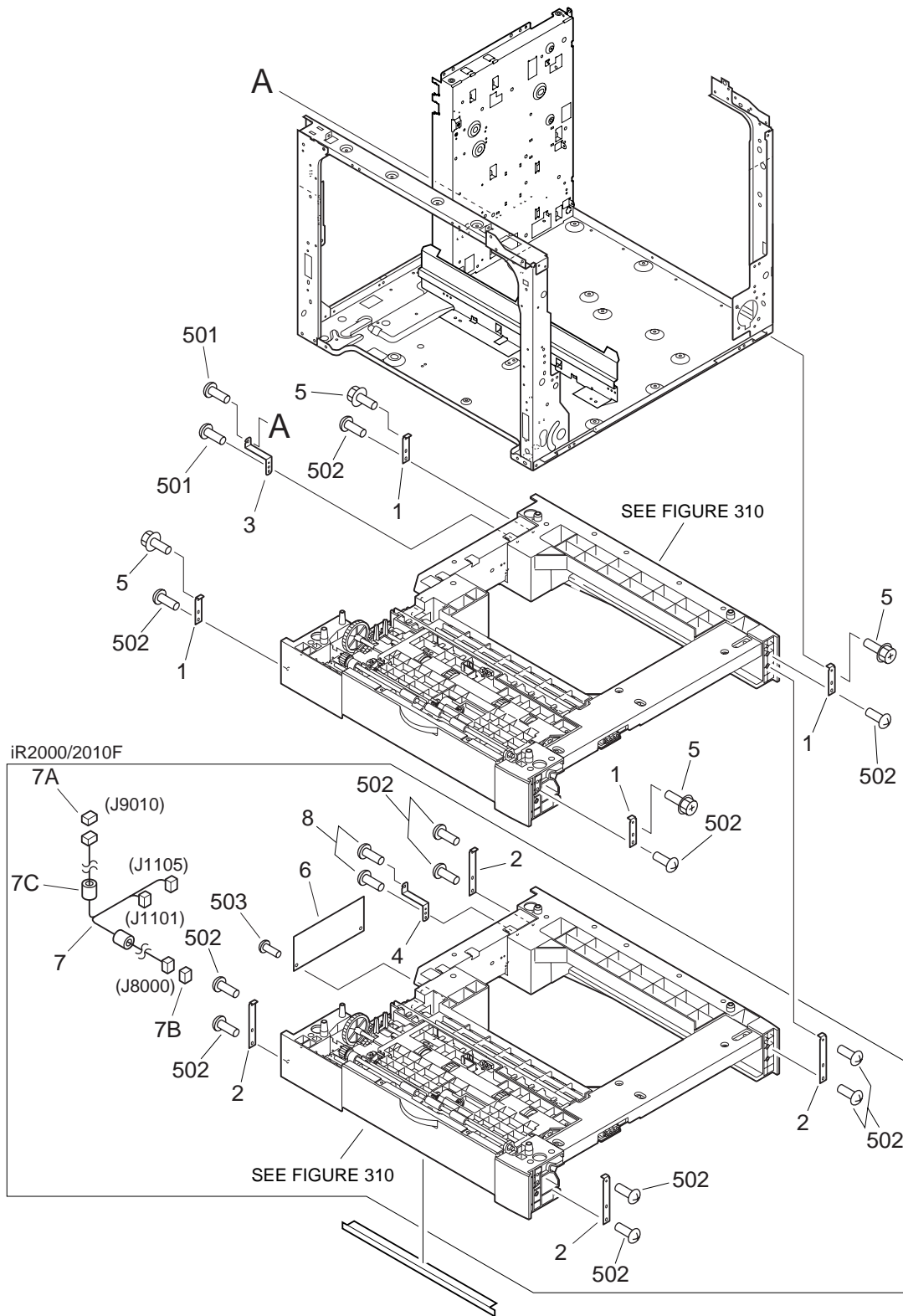


FIGURE & KEY NO.	PART NUMBER	RANK	QTY	DESCRIPTION	SERIAL NUMBER / REMARKS
105 -	NPN		RF	INTERNAL COMPONENTS 4	
1	FB6-1606-000		4	PLATE, CONNECTING	
2	FB6-1906-000		4	PLATE, FEEDER CONNECTOR	IR2000/2010F
3	FB6-1912-000		1	PLATE, GROUNDING	
4	FB6-1913-000		1	PLATE, GROUNDING	IR2000/2010F
5	XA9-0629-000		4	SCREW,RS,M4X8	
6	FG6-8647-000		1	FEEDER DRIVER PCB ASSEMBLY	IR2000/2010F
7	FG6-8491-000		1	CABLE, PAPER FEEDER, 1	IR2000/2010F J1101,1105,8000,9010
7A	VS1-5057-011		1	CONNECTOR, SNAP TIGHT	IR2000/2010F J9010
7B	VS1-5057-013		1	CONNECTOR, SNAP TIGHT	IR2000/2010F J8000
7C	WE8-0051-000		1	FERRITE CORE ESD-R-19D	IR2000/2010F
8	XA9-0385-000		2	SCREW,W/WASHER,M3X6	IR2000/2010F
501	XB2-7300-607		2	SCREW,W/WASHER,M3X6	
502	XB4-5401-007		AR	SCREW,P,M4X10	
503	XB2-8300-806		2	SCREW,W/WASHER,M3X8	IR2000/2010F

FIGURE 106 MACHINE REAR PLATE

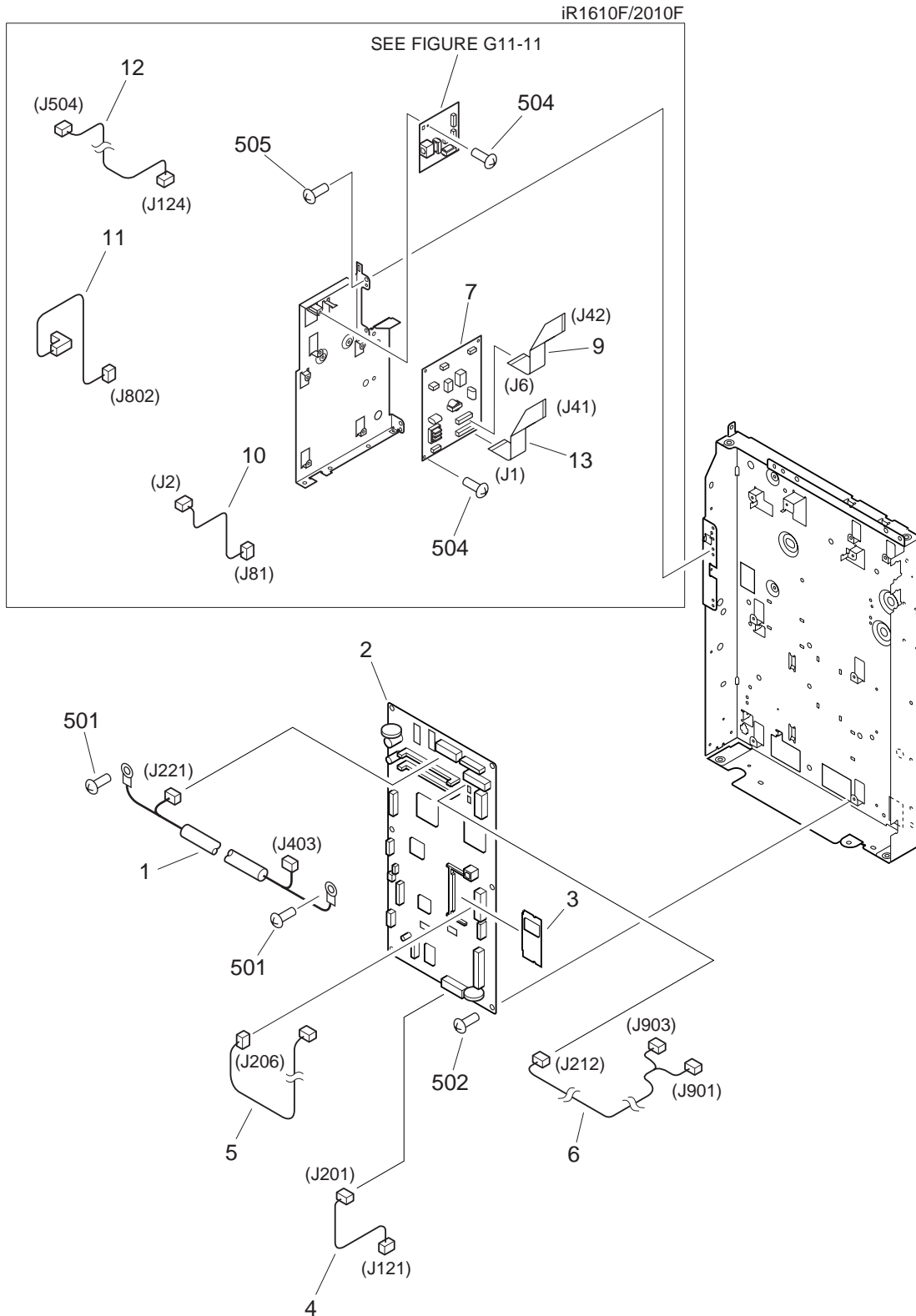


FIGURE & KEY NO.	PART NUMBER	RANK	QTY	DESCRIPTION	SERIAL NUMBER / REMARKS
106 -	NPN		RF	INTERNAL COMPONENTS 4	
1	FH2-6948-000		1	CABLE, IP-AP	J221,403
2	FG6-8884-000		1	IMAGE PROCESSOR PCB ASSEMBLY	IR1600/2000
	FG6-9457-000		1	IMAGE PROCESSOR PCB ASSEMBLY	IR1610F/2010F
3	FG6-9978-000		1	DIMM ASSEMBLY	IR1600/2000 120V
	FG6-8881-000		1	DIMM ASSEMBLY	IR1600/2000 230V
	FG6-9454-000		1	DIMM ASSEMBLY	IR1610F/2010F
4	FG6-8455-000		1	CABLE, IP-POWER	IR1600/2000 J121,201
	FG6-9783-000		1	CABLE, IP-POWER	IR1610F/2010F J121,201
5	FG6-8891-000		1	CABLE, IP-COUNTER	J206
6	FG6-8889-000		1	CABLE, CONTROL PANEL-IP	IR1600/2000 J212,901,903
	FG6-8457-000		1	CABLE, CONTROL PANEL-IP	IR1610F/2010F J32,941,942
7	HG1-4365-000		1	NCU PCB ASSEMBLY	IR1610F/2010F 120V
	HG5-2587-000		1	NCU PCB ASSEMBLY	IR1610F SSH/QFD/SEJ IR1610F TET/UJS IR2010F SSK/QFF/SEK IR2010F TEU/UJT
	HG5-2598-000		1	NCU PCB ASSEMBLY	IR1610F SSJ/RRF/RFQ IR1610F RRK IR2010F SSL/RRG/RFR IR2010F RRL
9	FH2-7003-000		1	CABLE, FFC	IR1610F/2010F 220/240V J242,505
10	FG6-8465-000		1	CABLE, NCU	IR1610F/2010F J2,81
11	FG6-8466-000		1	CABLE, ARESTA GROUNDING, 1PORT	IR1610F/2010F J802
12	FG6-8467-000		1	CABLE, PCI	IR1610F/2010F J124,504
13	FH2-6943-000		1	CABLE, FLAT	IR1610F/2010F J1,41
501	XB2-7300-607		2	SCREW,W/WASHER,M3X6	
502	XB2-8300-806		AR	SCREW,W/WASHER,M3X8	
504	XB2-8300-807		6	SCREW,W/WASHER,M3X8	IR1610F/2010F

FIGURE 130

CONTROL PANEL ASSEMBLY(iR1600/2000)

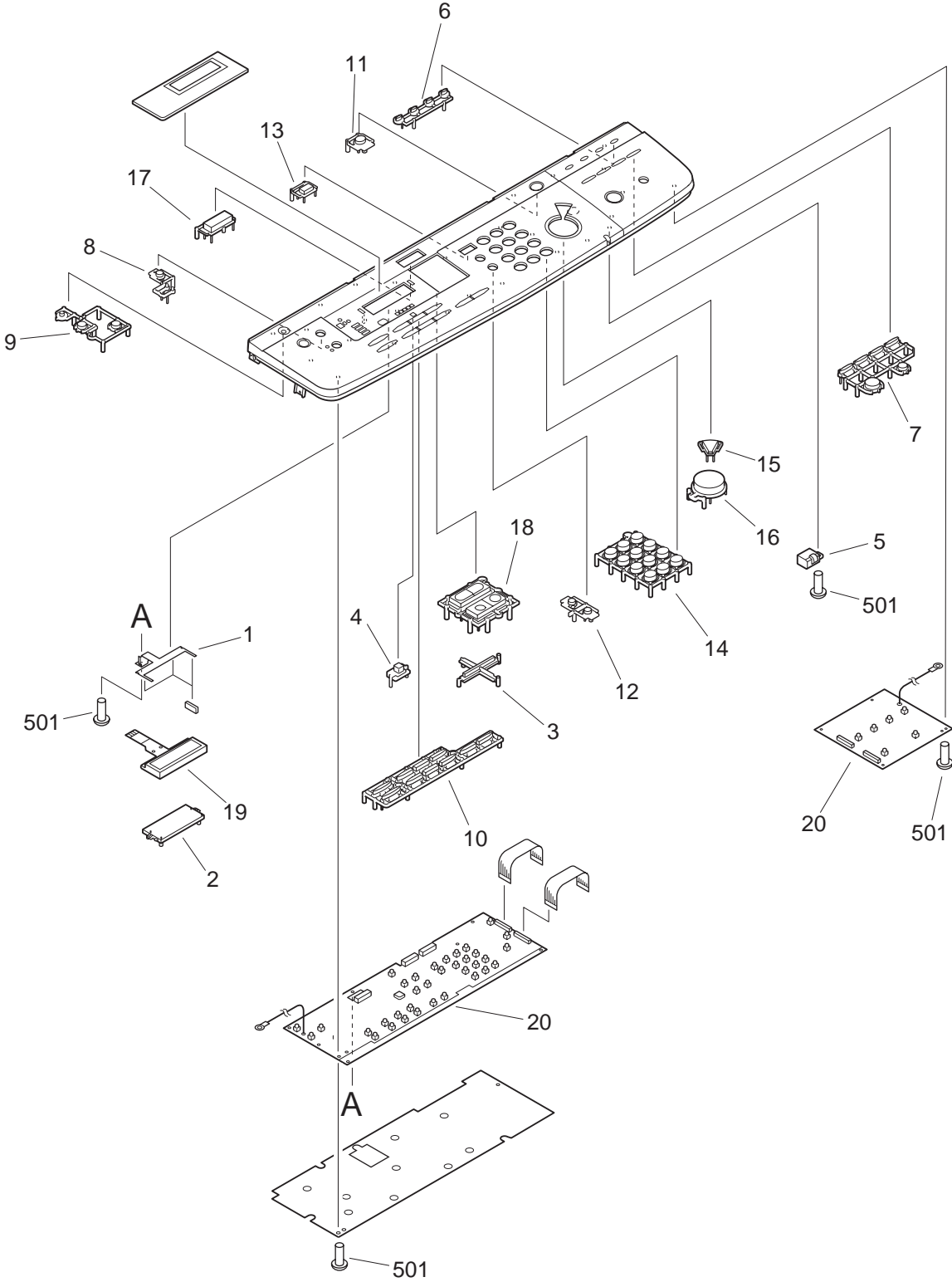


FIGURE & KEY NO.	PART NUMBER	RANK	QTY	DESCRIPTION	SERIAL NUMBER / REMARKS
130 -	FG6-8207-000		1	CONTROL PANEL ASSEMBLY	ENGLISH MQS/MQU
	FG6-8208-000		1	CONTROL PANEL ASSEMBLY	GERMAN
	FG6-8209-000		1	CONTROL PANEL ASSEMBLY	FRENCH
	FG6-8210-000		1	CONTROL PANEL ASSEMBLY	ITALIAN
	FG6-8211-000		1	CONTROL PANEL ASSEMBLY	ENGLISH QEN/QFB/QEQ /QFC
	FG6-8212-000		1	CONTROL PANEL ASSEMBLY	ILLUSTRATION RSP/RST
	FG6-8213-000		1	CONTROL PANEL ASSEMBLY	ILLUSTRATION MQT/MQV
	FG6-8214-000		1	CONTROL PANEL ASSEMBLY	ILLUSTRATION RSQ/RSU
	FG6-8421-000		1	CONTROL PANEL ASSEMBLY	ILLUSTRATION QSL/RSN REN/RFJ/REP/RFK/UHR UJJ/UHS/UJK
1	FB6-2081-000		1	PLATE, GROUNDING	
2	FB6-2082-000		1	BRACKET, LCD	
3	FB6-2084-000		1	SUPPORT, KEY	
4	FB6-2085-000		1	COVER, AUTO DENSITY LAMP	
5	FB6-2086-000		1	COVER, PILOT LAMP	
6	FB6-2087-000		1	COVER, ONLINE LAMP	
7	FB6-2088-000		1	KEY TOP, MENU	
8	FB6-2089-000		1	KEY TOP, APPLICATION	
9	FB6-2090-000		1	KEY TOP, COUNTER	
10	FB6-2092-000		1	KEY TOP, ZOOM	
11	FB6-2094-000		1	KEY TOP, ENERGY SAVE	
12	FB6-2095-000		1	KEY TOP, MODE	
13	FB6-2096-000		1	KEY TOP, RESET	
14	FB6-2097-000		1	KEY TOP, NUMBER	
15	FB6-2098-000		1	KEY TOP, STOP	
16	FB6-2099-000		1	KEY TOP, COPY	
17	FB6-2091-000		1	KEY TOP, EXTENSION	ILLUSTRATION
	FB6-2130-000		1	KEY TOP, EXTENSION	GERMAN
	FB6-2131-000		1	KEY TOP, EXTENSION	FRENCH
	FB6-2132-000		1	KEY TOP, EXTENSION	ITALIAN

FIGURE 160

COPYBOARD COVER ASSEMBLY(iR1600/2000)

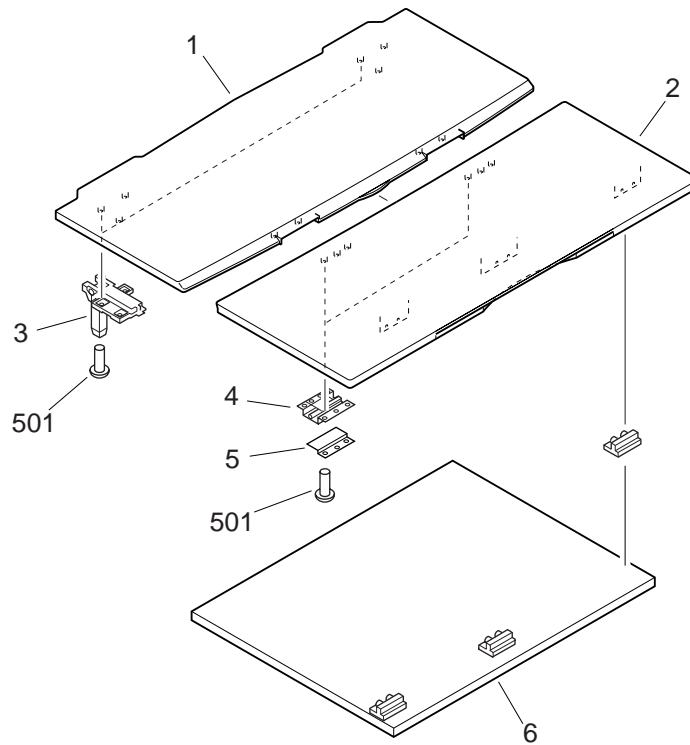


FIGURE & KEY NO.	PART NUMBER	RANK	QTY	DESCRIPTION	SERIAL NUMBER / REMARKS
160 -	FG6-8266-000		1	COPYBOARD COVER ASSEMBLY	IR1600/2000
1	FB6-1331-000		1	COVER, COPYBOARD, REAR	
2	FB6-1332-000		1	COVER, COPYBOARD, FRONT	
3	FB6-1278-000		2	HINGE, COPYBOARD COVER	
4	FE5-3634-000		2	PLATE, HINGE	
5	FE5-4380-000		2	PLATE, ANGLE ADJUSTMENT	
6	FL5-0550-040		1	SHEET, COPYBOARD	
501	XB4-7401-009		AR	SCREW, TAPPING, TRUSS HEAD, M4X10	

FIGURE 161 ADF ASSEMBLY (iR1610F/2010F) (1/2)

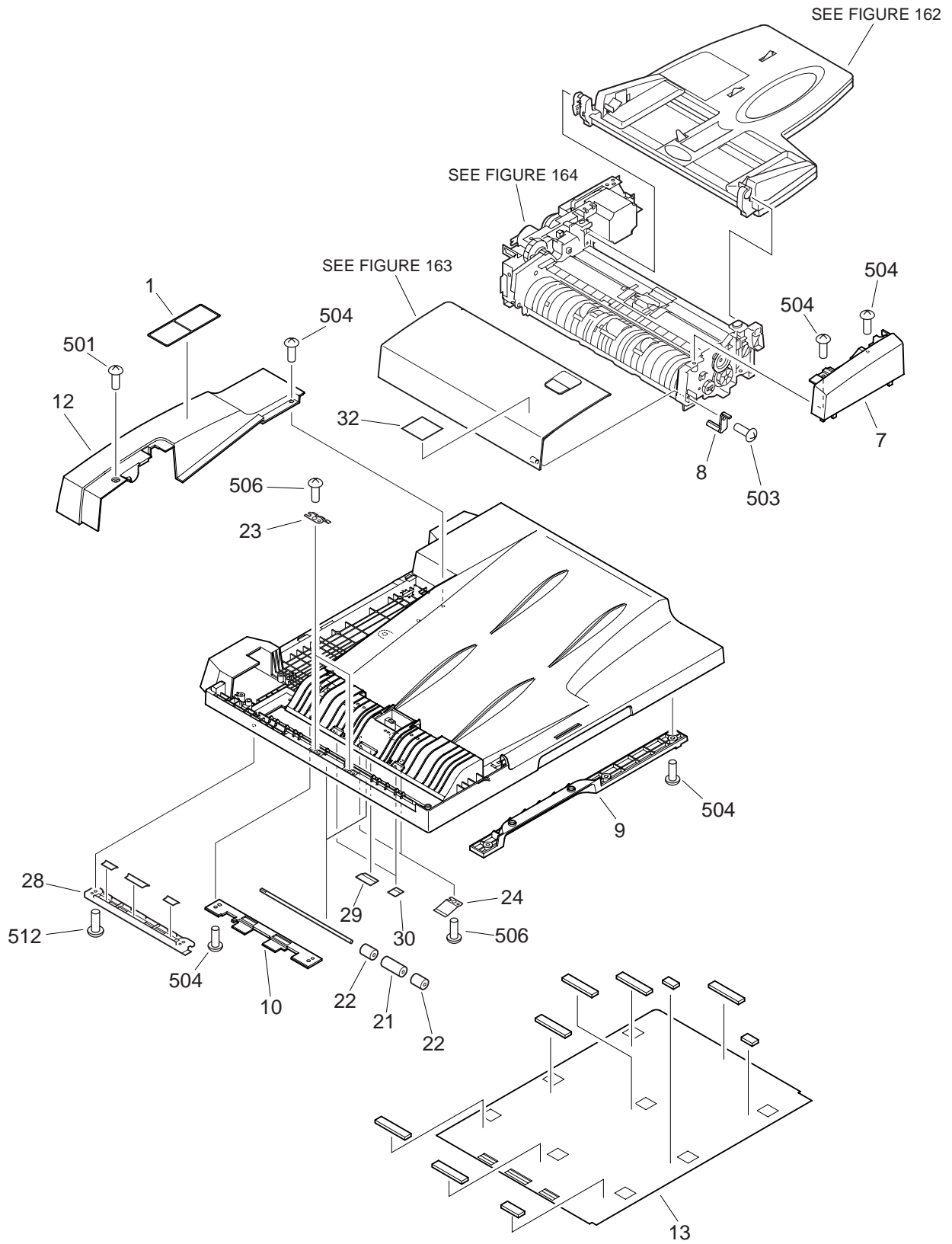


FIGURE 161 ADF ASSEMBLY (iR1610F/2010F) (2/2)

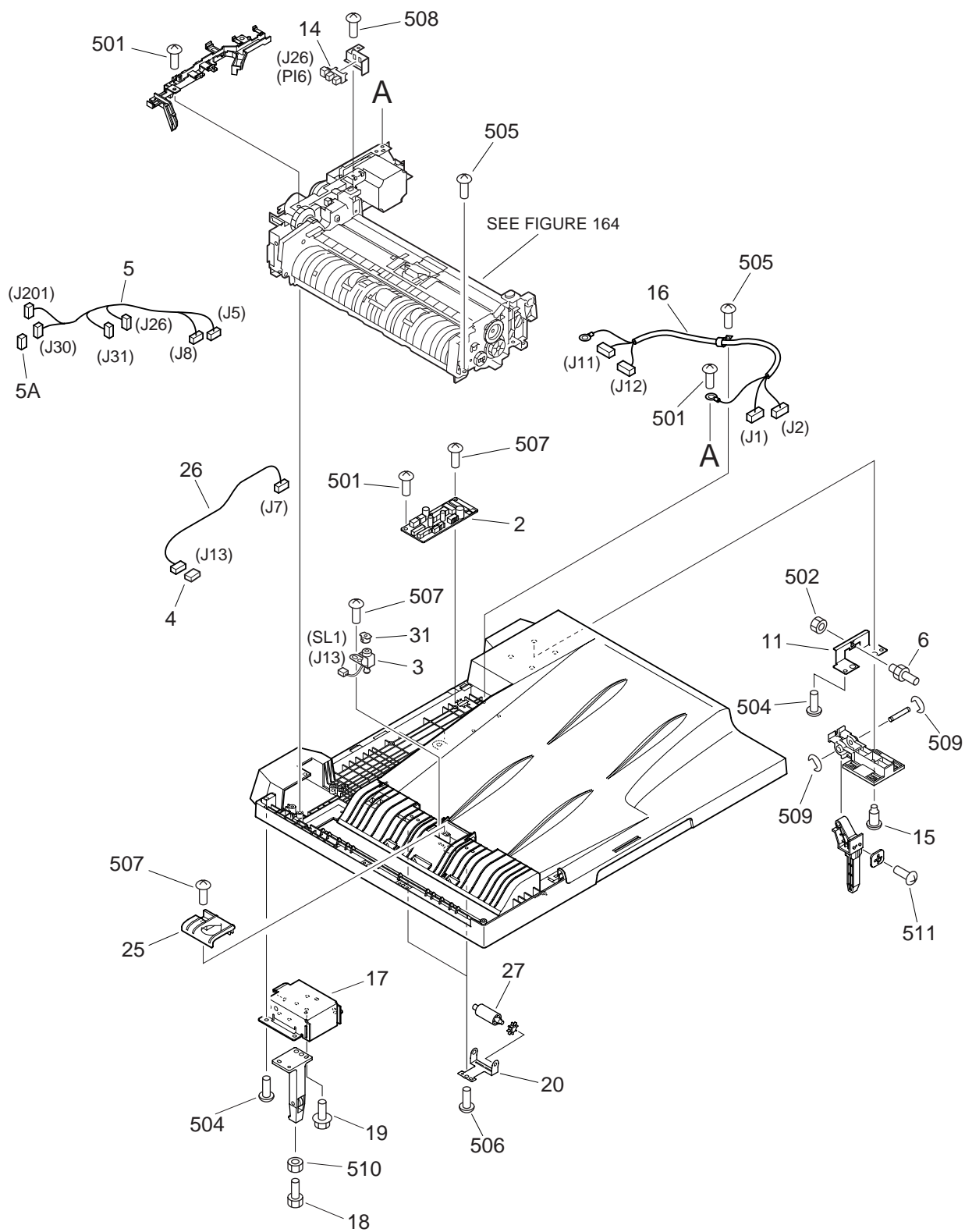
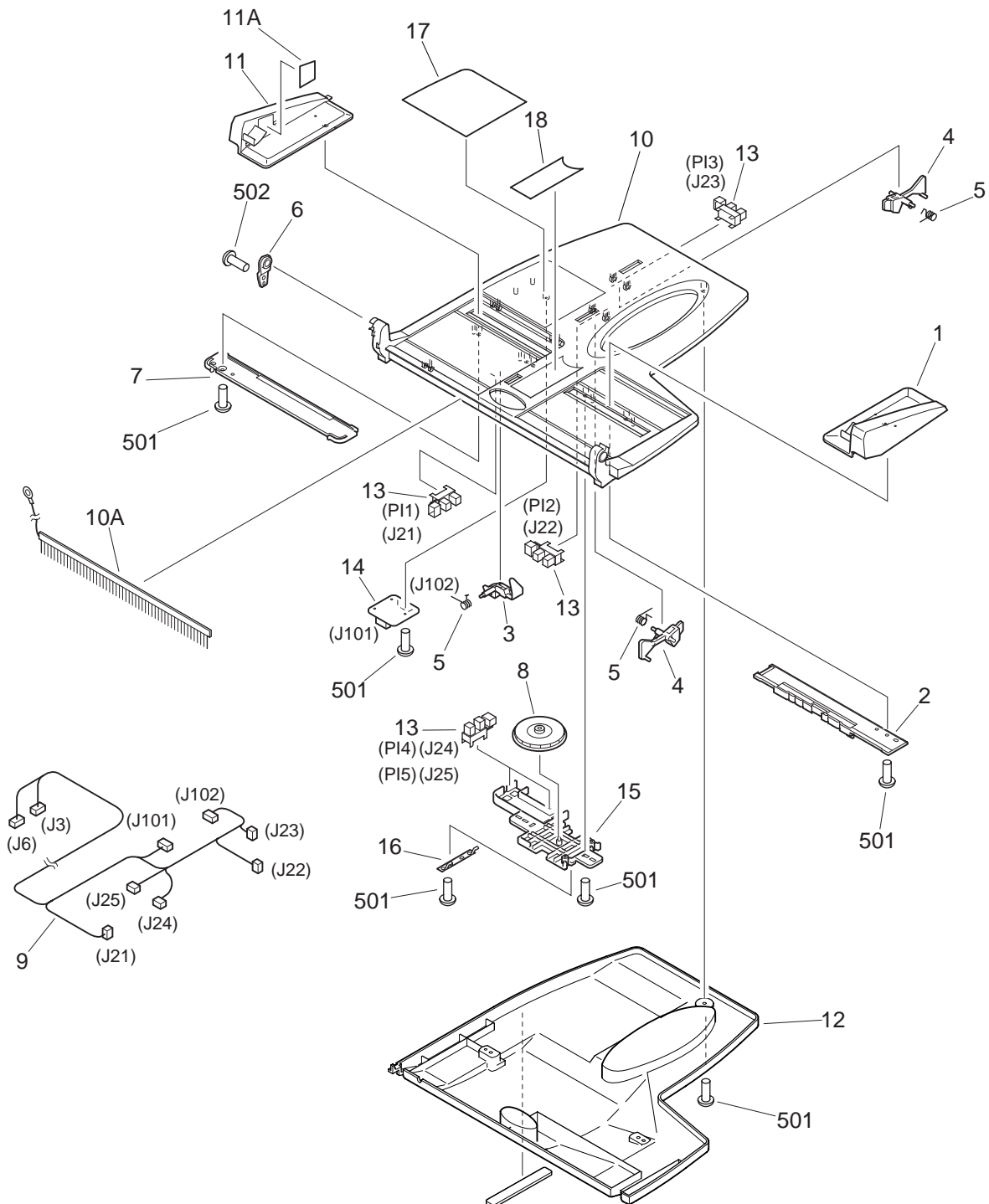


FIGURE & KEY NO.	PART NUMBER	RANK	QTY	DESCRIPTION	SERIAL NUMBER / REMARKS
161 -	NPN		RF	ADF ASSEMBLY	IR1610F/2010F
1	FB6-2799-000		1	LABEL, "JAM/CLEANING"	A SIZE
	FB6-2798-000		1	LABEL, "JAM/CLEANING"	A/INCH SIZE AB/INCH SIZE
2	FG3-2175-000		1	ADF DRIVER PCB ASSEMBLY	
3	FH6-5022-000		1	SOLENOID	SL1 J13
4	VS1-5057-002		1	CONNECTOR, SNAP TIGHT	
5	FG3-2177-000		1	CABLE, PAPER FEED DRIVE	
5A	VS1-5057-006		1	CONNECTOR, SNAP TIGHT	
6	FA5-5499-000		1	SCREW, ADJUSTING	
7	FB6-2627-000		1	PANEL, FRONT	
8	FB6-2673-000		1	SHAFT, OPEN/CLOSE	
9	FB6-2632-000		1	PANEL, UNDER	
10	FB6-2633-000		1	COVER, PAPER FEED ROLLER	
11	FB6-2677-000		1	PLATE, ADJUST	
12	FB6-2628-000		1	PANEL, REAR	
13	FF6-1967-000		1	PANEL, COPYBOARD	
14	WG8-5362-000		1	IC, TLP1241, PHOTO-INTERRUPTER	PI6 J26
15	FS5-9740-000		4	SCREW, STEPPED, M4	
16	FG3-2181-000		1	CABLE, INTERFACE	
17	FB6-2635-000		1	LEFT HINGE UNIT	
18	XA9-0519-000		1	BOLT, M5X20	
19	XA9-1249-000		4	SCREW, MACH., TRUSS HEAD, M4X6	
20	FB6-2640-000		1	SPRING, LEAF	
21	FB5-9399-000		2	ROLLER, PAPER FEED, 1	
22	FB5-9400-000		4	ROLLER, PAPER FEED, 2	
23	FB5-9401-000		2	SPRING, LEAF	
24	FB5-9402-000		2	SPRING, LEAF	
25	FB6-2634-000		1	GUIDE, STAMP	
26	FG3-2180-000		1	CABLE, STAMP SOLENOID	
27	FS5-6937-000		1	ROLLER, DELIVERY	

FIGURE & KEY NO.	PART NUMBER	RANK	QTY	DESCRIPTION	SERIAL NUMBER / REMARKS
161 - 28	FF6-1273-000		1	GUIDE, PAPER FEED ROLLER	
29	FB5-9380-000		1	SHEET, PAPER FEED, 1	
30	FB5-9381-000		2	SHEET, PAPER FEED, 2	
31	FB5-9410-000		1	STAMPER	
32	FB6-4347-000		1	LABEL, BLACK LINE	A/INCH SIZE AB/INCH SIZE
	FB6-4348-000		1	LABEL, BLACK LINE	A SIZE
501	XB1-2400-607		6	SCREW,MACH.,TRUSS HEAD,M4X6	
502	XB7-2100-409		1	NUT,HEX,M4	
503	XB4-7300-809		1	SCREW,TAPPING,TRUSS HEAD,M3X8	
504	XB4-5401-006		14	SCREW,P,M4X10	
505	XB4-5401-009		8	SCREW,P,M4X10	
506	XB4-5400-809		6	SCREW,P,M4X8	
507	XB4-5300-806		3	SCREW,P,M3X8	
508	XB1-2300-407		1	SCREW,MACH.,TRUSS HEAD,M3X4	
509	XD2-1100-502		2	RING,E	
510	XB7-2100-509		1	NUT,HEX,M5	
511	XB4-7301-206		1	SCREW,TAPPING,TRUSS HEAD,M3X12	
512	XB4-5401-609		2	SCREW,P,M4X16	

FIGURE 162

DOCUMENT TRAY ASSEMBLY (iR1610F/2010F)



NOTE : This assembly does not include the parts shown with key No. 17, 18 and 502.

FIGURE & KEY NO.	PART NUMBER	RANK	QTY	DESCRIPTION	SERIAL NUMBER / REMARKS
162 -	FG6-8785-000		1	DOCUMENT TRAY ASSEMBLY	IR1610F/2010F
1	FB5-9418-000		1	GUIDE, DOCUMENT SIDE, FRONT	
2	FB5-9420-000		1	RACK, DOCUMENT SIDE GUIDE	
3	FB5-9423-020		1	FLAG, CYCLE END	
4	FB5-9424-020		2	FLAG, DOCUMENT LENGTH SENSOR	
5	FB5-9427-000		3	SPRING, TORSION	
6	FB5-9428-000		1	HOLDER, DOCUMENT TRAY	
7	FB6-2671-000		1	RACK, DOCUMENT SIDE GUIDE	
8	FS4-0590-000		1	GEAR, 62T	
9	FG3-2179-000		1	CABLE, DOCUMENT TRAY	J3,6,21-25,101,102
10	FF6-1956-000		1	TRAY, DOCUMENT, UPPER	
10A	FB5-9414-000		1	ELIMINATOR, STATIC CHARGE	
11	FF6-1966-000		1	GUIDE, DOCUMENT SIDE, REAR	
11A	FB5-9509-000		1	LABEL, DOCUMENT HEIGHT LIMIT	
12	FF6-1965-000		1	GUIDE, DOCUMENT TRAY, LOWER	
13	WG8-5362-000		5	IC, TLP1241, PHOTO-INTERRUPTER	PI1-PI5 J21-25
14	FG3-2176-000		1	CONNECTING PCB UNIT	J101,102
15	FB6-2669-000		1	HOLDER, VOLUME	
16	FB6-2670-000		1	SPRING, LEAF	
17	FB6-2624-000		1	LABEL, DOCUMENT SIZE	SEE NOTE A/INCH SIZE
	FB6-2625-000		1	LABEL, DOCUMENT SIZE	SEE NOTE A SIZE
	FB6-2626-000		1	LABEL, DOCUMENT SIZE	SEE NOTE AB/INCH SIZE
18	FB5-9507-000		1	LABEL, DOCUMENT SET	SEE NOTE A/INCH SIZE AB/INCH SIZE
	FB5-9508-000		1	LABEL, DOCUMENT SET	SEE NOTE A SIZE
501	XB4-7300-809		10	SCREW,TAPPING,TRUSS HEAD,M3X8	
502	XB4-7300-809		1	SCREW,TAPPING,TRUSS HEAD,M3X8	SEE NOTE

FIGURE 163

OPEN/CLOSE PANEL ASSEMBLY (iR1610F/2010F)

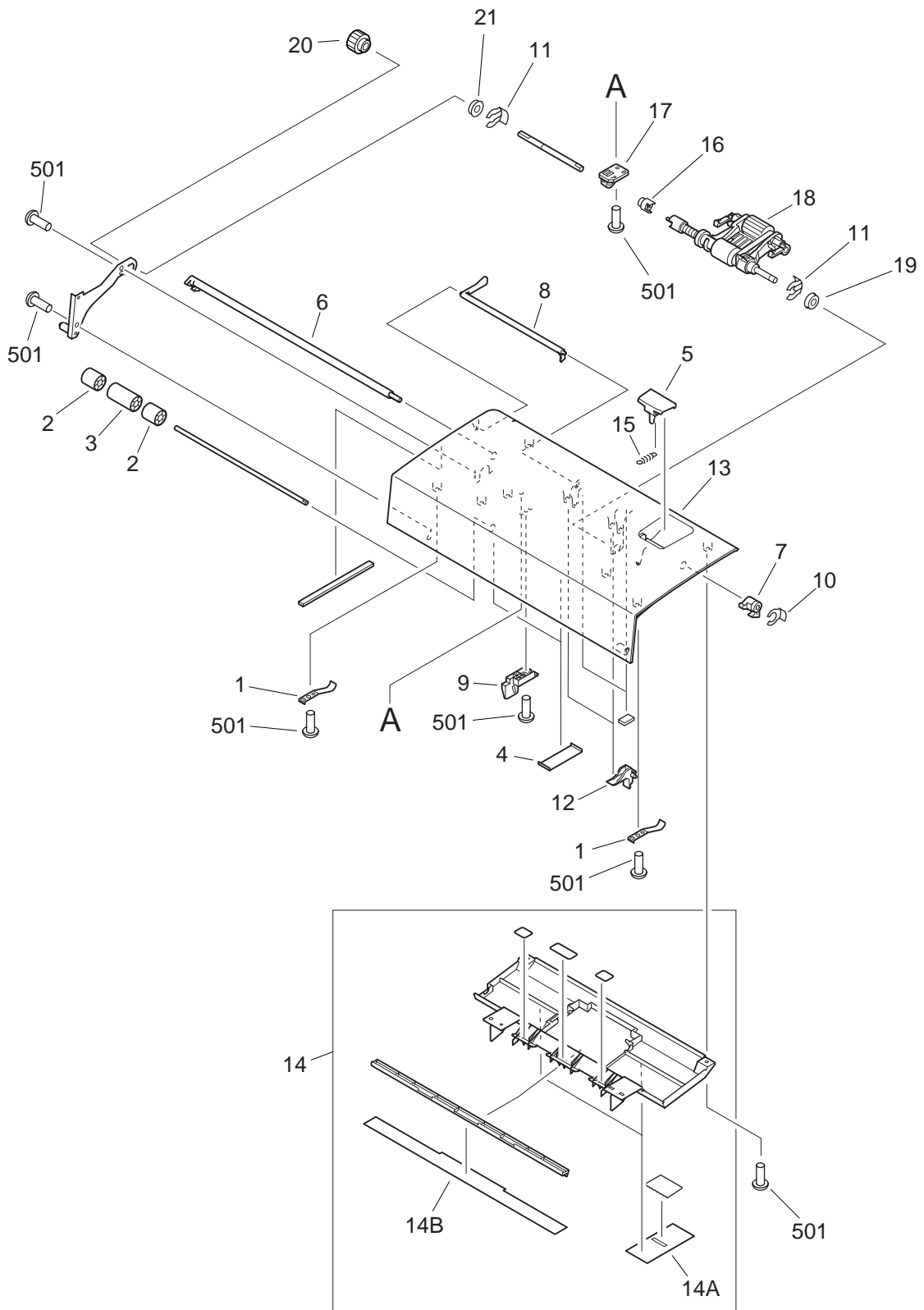
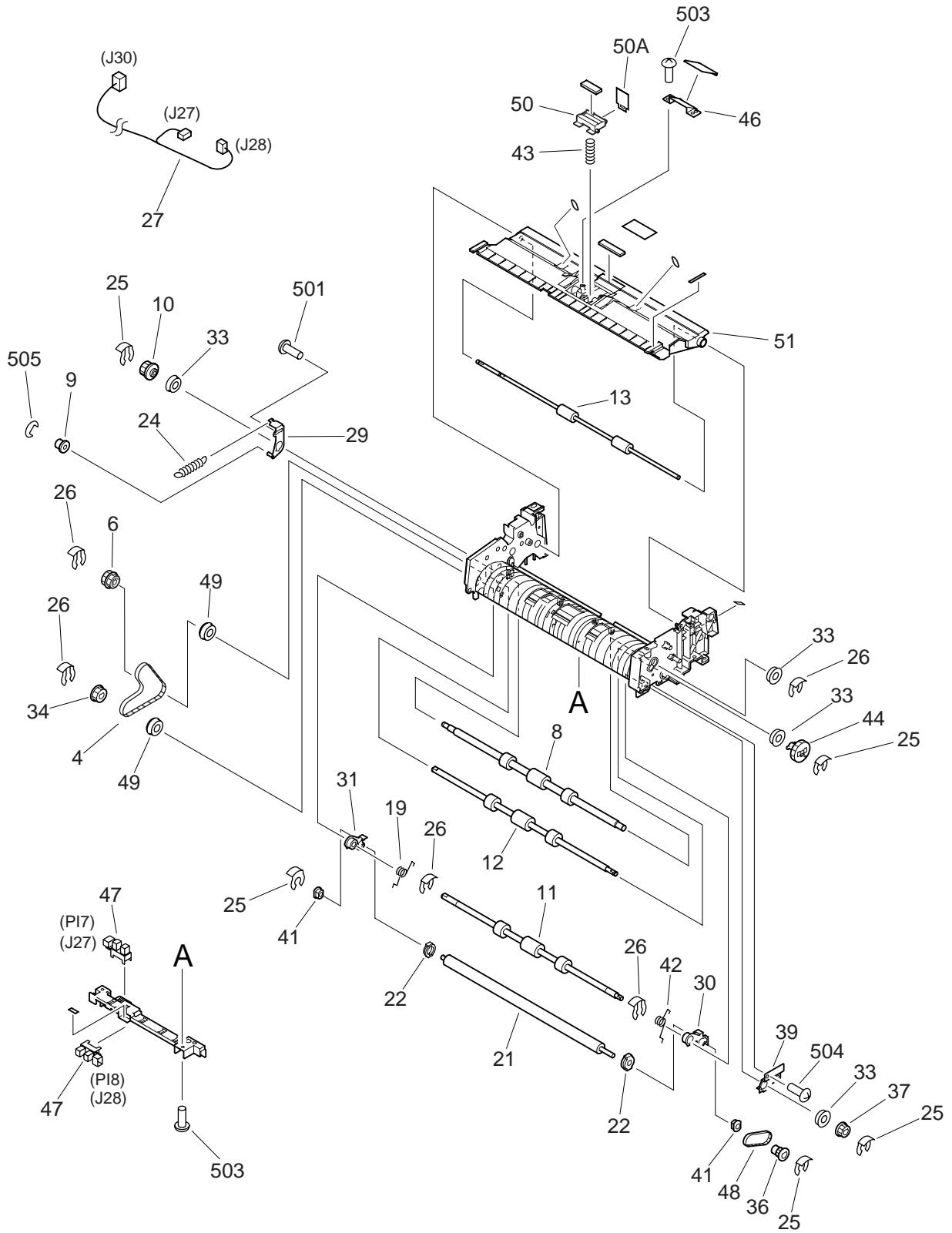


FIGURE & KEY NO.	PART NUMBER	R A N K	Q' T Y	DESCRIPTION	SERIAL NUMBER / REMARKS
163 -	FG6-8783-000		1	OPEN/CLOSE PANEL ASSEMBLY	IR1610F/2010F
1	FB5-9434-000		2	SPRING, LEAF	
2	FB5-9435-000		2	ROLLER, REGISTRATION, 1	
3	FB5-9436-000		1	ROLLER, REGISTRATION, 2	
4	FB5-9438-000		2	SPRING, LEAF	
5	FB5-9439-000		1	LEVER, OPEN/CLOSE	
6	FB5-9440-000		1	SHAFT, LATCH	
7	FB5-9441-000		1	LEVER, LATCH	
8	FB5-9443-000		1	FLAG, DOCUMENT SENSOR	
9	FB5-9449-000		1	COVER, REGISTRATION ADJUSTMENT	
10	FC3-0661-000		1	CLIP	
11	FC3-0662-000		2	CLIP	
12	FB5-9442-000		2	SHUTTER	
13	FF6-2173-000		1	PANEL, OPEN/CLOSE	
14	FF6-1964-000		1	GUIDE, OPEN/CLOSE	
14A	FB6-2921-000		2	SHEET	
14B	FB6-2674-000		1	SHEET	
15	FS7-2663-000		1	SPRING, TENSION	
16	FB6-2666-000		1	COUPLING, SEPARATION DRIVE	
17	FB6-2667-000		1	SUPPORT, SEPARATION ROLLER	
18	FG6-8784-000		1	ROLLER, PAPER SEPARATION	
19	FS2-1538-000		1	BUSHING	
20	FU3-0027-000		1	GEAR, 18T	
21	RS1-1053-000		1	BUSHING	
501	XB4-5300-806		10	SCREW,P,M3X8	

FIGURE 164

ADF PAPER FEEDER ASSEMBLY(iR1610F/2010F) (1/2)



NOTE : This assembly does not include the parts shown with key No. 52, 53, 54, 55, 56, 57, 58, 59, 60, 61, 508, 509 and 510.

FIGURE & KEY NO.	PART NUMBER	R A N K	Q' T Y	DESCRIPTION	SERIAL NUMBER / REMARKS
164 -	FG6-8779-000		1	PAPER FEEDER ASSEMBLY	IR1610F/2010F
1	FB6-2642-000		1	SPRING, CLUTCH	
2	FF6-1960-000		1	PLATE, TENSIONER	
3	FS2-9394-000		1	SCREW, STEPPED, M3X1.4	
4	XF2-1608-840		1	BELT, TIMING	
5	XF2-1610-640		1	BELT, TIMING	
6	FS5-3983-000		1	PULLEY, 27T/32T	
7	FB5-9462-000		1	FLANGE, BELT	
8	FB6-2643-000		1	ROLLER, REGISTRATION	
9	FB5-9465-000		2	PULLEY, TENSIONER	
10	FS5-3982-000		1	PULLEY, 27T	
11	FB5-9467-000		1	ROLLER, PAPER FEEDER, 1	
12	FB6-2644-000		1	ROLLER, PAPER FEEDER, 2	
13	FB6-2645-000		1	ROLLER, PAPER DELIVERY	
14	FB5-9470-000		1	KNOB, JAM CLEARING	
15	FS5-6938-000		1	BUSHING	
16	FF6-1293-000		1	FLAG, REGISTRATION SENSOR	
17	FB5-9473-000		1	FLAG, READ SENSOR	
18	FS7-2773-000		1	SPRING, TENSION	
19	FB5-9486-000		1	SPRING, TORSION	
20	FB5-9477-000		2	SPRING, TORSION	
21	FB5-9480-000		1	ROLLER, PLATEN	
22	FB6-2646-000		2	SPACER, GAP	
23	FB5-9483-000		1	GUIDE, PLATEN ROLLER, RIGHT	
24	FS7-2774-000		1	SPRING, TENSION	
25	FC3-0661-000		5	CLIP	
26	FC3-0662-000		7	CLIP	
27	FG3-2178-000		1	CABLE, PATH SENSOR	J27,28,30
28	FU3-0250-000		1	GEAR, 19T	
29	FF6-1285-000		1	PLATE, TENSIONER	

FIGURE & KEY NO.	PART NUMBER	R A N K	Q' T Y	DESCRIPTION	SERIAL NUMBER / REMARKS
164 - 30	FF6-1286-000		1	ARM, SWING BUSHING, FRONT	
31	FF6-1287-000		1	ARM, SWING BUSHING, REAR	
32	FB5-9482-000		1	GUIDE, PLATEN ROLLER, LEFT	
33	FS1-1189-000		4	BUSHING	
34	FS5-3927-000		1	PULLEY, 27T	
35	FS5-3984-000		1	PULLEY, 24T	
36	FS5-3929-000		1	PULLEY, 18T	
37	FS5-3930-000		1	PULLEY, 23T	
38	FU3-0251-000		1	GEAR, 32T	
39	FB6-2698-000		1	GUIDE, PLATEN	
40	FS6-1020-000		1	BUSHING	
41	FS6-1022-000		2	BUSHING	
42	FB5-9485-000		1	SPRING, TORSION	
43	FS7-2780-000		1	SPRING, COMPRESSION	
44	FU3-0029-000		1	GEAR, 30T	
45	FU3-0030-000		1	GEAR, 54T/39T	
46	FF6-1292-000		1	HOLDER, SEPARATION PAD, 2	
47	WG8-5362-000		3	IC, TLP1241, PHOTO-INTERRUPTER	PI7-9 J27,28,31
48	XF2-1604-340		1	BELT, TIMING	
49	XG9-0403-000		2	BEARING, BALL	
50	FF6-1963-000		1	HOLDER, SEPARATION PAD,1	
50A	FB6-2648-000		1	PAD, PAPER SEPARATION	
51	FF6-1962-000		1	GUIDE, PAPER SEPARATION	
52	FC3-0661-000		3	CLIP	SEE NOTE
53	FH6-1952-000		1	MOTOR, STEPPING	SEE NOTE M1 J4
54	FS6-1022-000		3	BUSHING	SEE NOTE
55	FS7-2664-000		1	SPRING, TENSION	SEE NOTE
56	FU3-0254-000		1	GEAR, 24T/PULLEY, 44T	SEE NOTE
57	XF2-1609-460		1	BELT, TIMING	SEE NOTE
58	FC3-0662-000		2	CLIP	SEE NOTE

FIGURE & KEY NO.	PART NUMBER	RANK	QTY	DESCRIPTION	SERIAL NUMBER / REMARKS
164 - 59	FU3-0252-000		1	GEAR, 18T	SEE NOTE
60	FU3-0253-000		2	GEAR, 24T	SEE NOTE
61	FG6-8782-000		1	CLUTCH, ELECTROMAGNETIC	SEE NOTE CL1 J201
501	XB1-2300-407		4	SCREW,MACH.,TRUSS HEAD,M3X4	
502	XD1-4100-302		2	WASHER,TOOTHED LOCK	
503	XB4-7300-809		4	SCREW,TAPPING,TRUSS HEAD,M3X8	
504	XB4-5400-809		4	SCREW,P,M4X8	
505	XD2-1100-322		2	RING,E	
506	XD2-1100-502		1	RING,E	
507	XD3-2200-102		1	PIN,DOWEL	
508	XB1-2300-407		1	SCREW,MACH.,TRUSS HEAD,M3X4	SEE NOTE
509	XB1-2400-607		6	SCREW,MACH.,TRUSS HEAD,M4X6	SEE NOTE
510	XD3-2200-102		1	PIN,DOWEL	SEE NOTE

FIGURE 210 READER ASSEMBLY

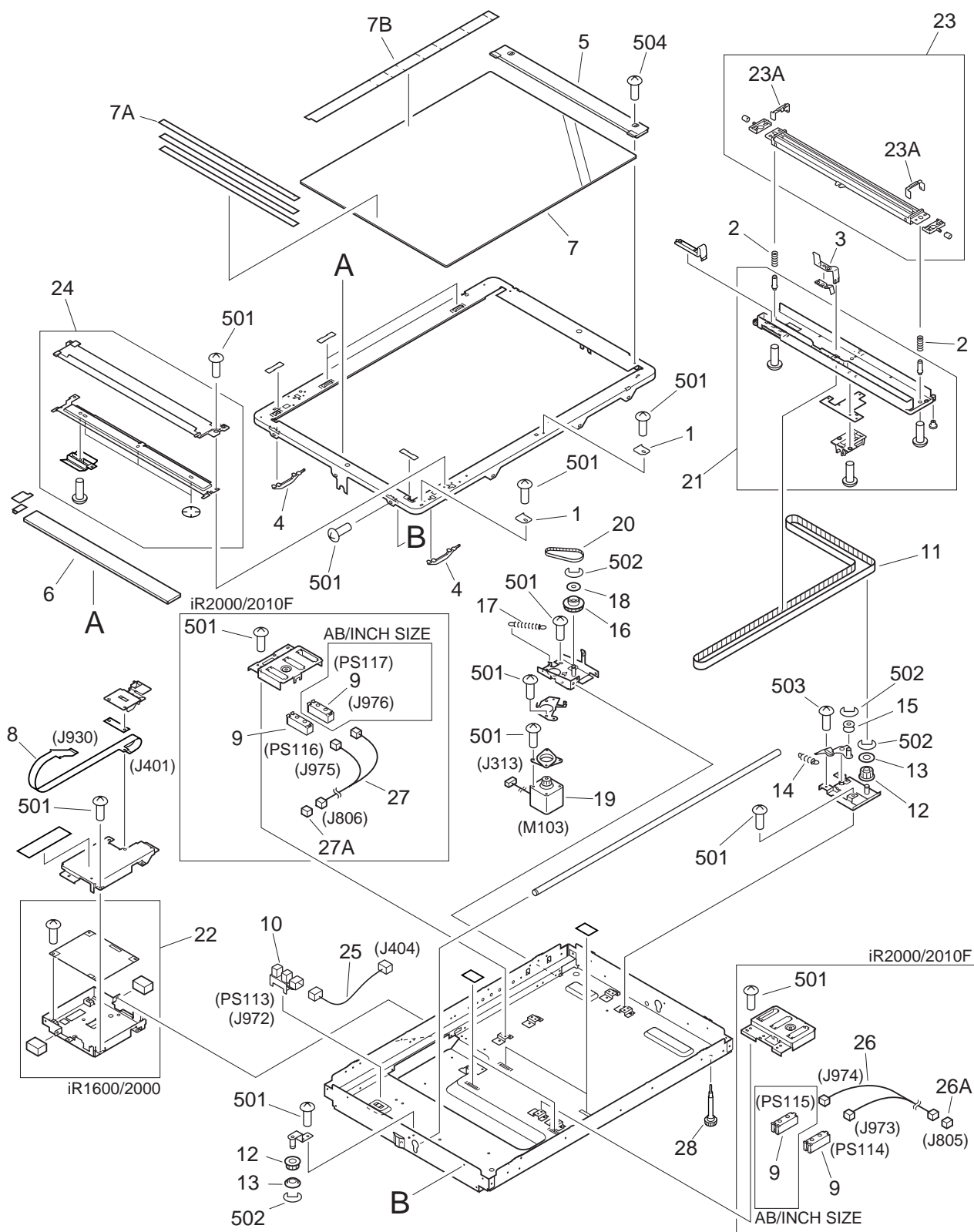


FIGURE & KEY NO.	PART NUMBER	RANK	QTY	DESCRIPTION	SERIAL NUMBER / REMARKS
210 -	NPN		RF	READER ASSEMBLY	
1	FB6-1305-000		2	PLATE, GLASS	
2	FB6-1324-000		2	SPRING, COMPRESSION	
3	FB6-1325-000		1	HOLDER, BELT	
4	FB6-1329-000		2	GUIDE, CS	
5	FB6-1340-000		1	SUPPORT, GLASS, RIGHT	
6	FF6-1742-000		1	GLASS, READER	
7	FF6-1727-000		1	GLASS, COPYBOARD	A SIZE
	FF6-1728-000		1	GLASS, COPYBOARD	AB/INCH SIZE
	FF6-1729-000		1	GLASS, COPYBOARD	A/INCH SIZE
7A	FB6-1239-000		1	PLATE, WIDTH INDEX	A SIZE
	FB6-1240-000		1	PLATE, WIDTH INDEX	AB/INCH SIZE
	FB6-1241-000		1	PLATE, WIDTH INDEX	A/INCH SIZE
7B	FB6-1236-000		1	PLATE, LENGTH INDEX	A SIZE
	FB6-1237-000		1	PLATE, LENGTH INDEX	AB/INCH SIZE
	FB6-1238-000		1	PLATE, LENGTH INDEX	A/INCH SIZE
8	FF6-1759-000		1	CABLE, FLAT	J401,930
9	FH7-7569-000		2	DOCUMENT SIZE SENSOR UNIT	IR2000/2010F A SIZE PS114,116 J973,975
	FH7-7569-000		4	DOCUMENT SIZE SENSOR UNIT	IR2000/2010F AB/INCH SIZE PS114-117 J973-976
	FH7-7569-000		3	DOCUMENT SIZE SENSOR UNIT	IR2000/2010F A/INCH SIZE
10	WG8-5362-000		1	IC, TLP1241, PHOTO-INTERRUPTER	PS113 J972
11	XF9-0728-000		1	BELT, TIMING	
12	FB6-1357-000		2	PULLEY, IDLER	
13	FB6-1358-000		2	FLANGE	
14	FB6-1320-000		1	SPRING, TENSION	
15	FB6-1321-000		1	PULLEY, TENSION	
16	FB6-1313-000		1	PULLEY, 24T/41T	
17	FB6-1316-000		1	SPRING, TENSION	
18	FB6-1339-000		1	FLANGE	

FIGURE & KEY NO.	PART NUMBER	R A N K	Q' T Y	DESCRIPTION	SERIAL NUMBER / REMARKS
210 - 19	FH6-1948-000		1	MOTOR, STEPPING, DC	M103 J313
20	XF9-0355-000		1	BELT, TIMING	
21	FG6-8259-000		1	CARRIAGE UNIT	
22	FG6-8261-000		1	ANALOG PROCESSOR PCB ASSEMBLY	IR1600/2000
23	FG6-8359-000		1	CS UNIT	
23A	FB6-1323-000		2	SPACER	
24	FG6-8360-000		1	MOUNT, JUMP	
25	FG6-8458-000		1	CABLE, HOME POSITION SENSOR	J404,972
26	FG6-8462-000		1	CABLE, DOCUMENT SIZE, FRONT	IR2000/2010F AB/INCH SIZE J805,973,974
	FG6-9160-000		1	CABLE, DOCUMENT SIZE, FRONT	IR2000/2010F A SIZE J805,973,974
	FG6-9353-000		1	CABLE, DOCUMENT SIZE, FRONT	IR2000/2010F A/INCH SIZE J815,974
26A	VS1-6492-006		1	CONNECTOR, SNAP TIGHT	IR2000/2010F A SIZE J805
27	FG6-8463-000		1	CABLE, DOCUMENT SIZE, REAR	IR2000/2010F AB/INCH SIZE J806,975,976
	FG6-9161-000		1	CABLE, DOCUMENT SIZE, REAR	IR2000/2010F A SIZE J806,975,976
27A	VS1-6492-006		1	CONNECTOR, SNAP TIGHT	IR2000/2010F A SIZE J806
28	FB6-2077-000		1	SCREW, STEPPED, M4	
501	XB1-2300-407		AR	SCREW, MACH., TRUSS HEAD, M3X4	
502	XD2-1100-502		4	RING, E	
503	XB6-7300-607		1	SCREW, TP, M3X6	
504	XB6-7300-407		2	SCREW, TP, M3X4	

FIGURE 260 PRINTER DRIVE ASSEMBLY

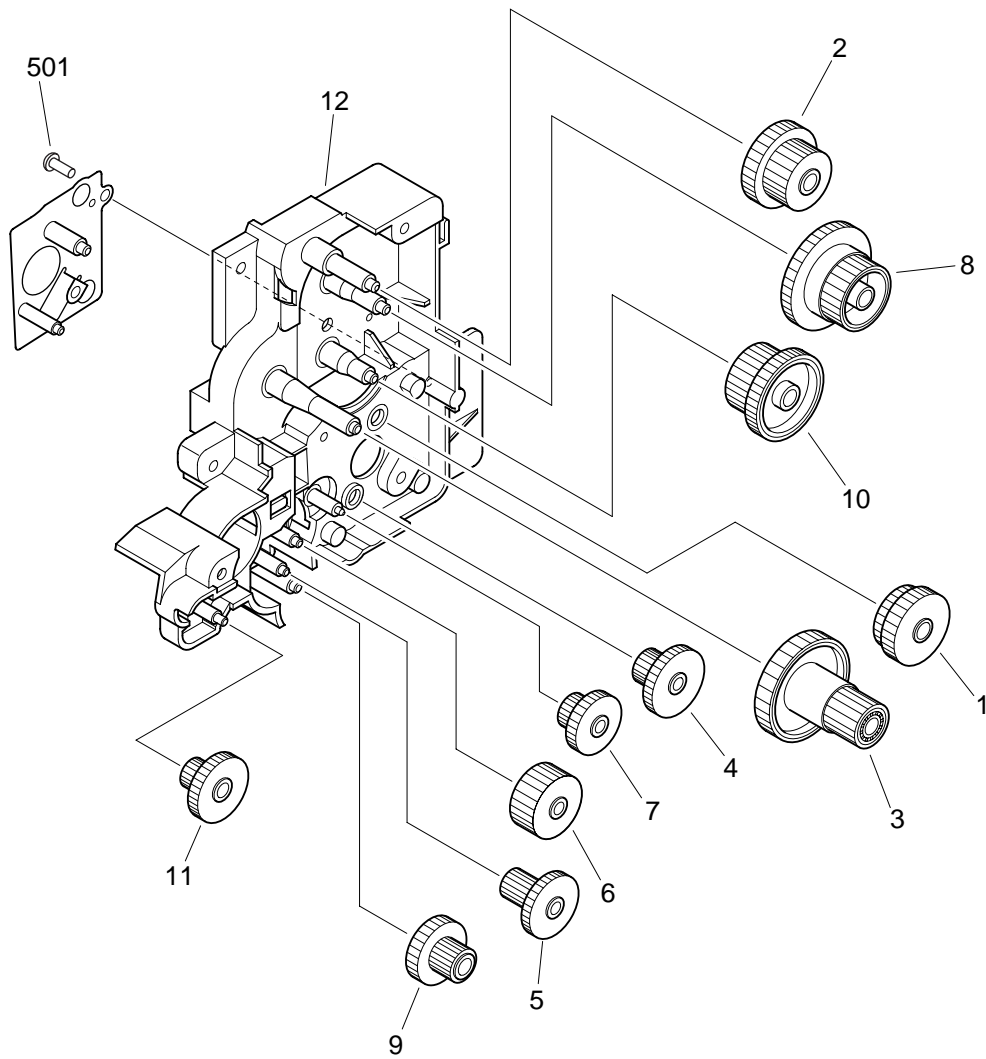


FIGURE & KEY NO.	PART NUMBER	R A N K	Q' T Y	DESCRIPTION	SERIAL NUMBER / REMARKS
260 -	NPN		RF	PRINTER DRIVE ASSEMBLY	
1	FS7-0970-000		1	GEAR, 32T/62T	
2	FS7-0977-000		1	GEAR, 26T/36T	
3	FU3-0122-000		1	GEAR, 18T/44T	
4	FU3-0123-000		1	GEAR, 17T/58T	
5	FU3-0124-000		1	GEAR, 14T/35T	
6	FU3-0125-000		1	GEAR, 33T	
7	FU3-0126-000		1	GEAR, 17T/31T	
8	FU3-0127-000		1	GEAR, 29T/44T	
9	FU3-0128-000		1	GEAR, 17T/22T	
10	FU3-0129-000		1	GEAR, 27T/46T	
11	FU3-0130-000		1	GEAR, 15T/36T	
12	FB6-1433-000	N	1	FRAME, DRIVE	
501	XB4-7401-205		1	SCREW,TAPPING,TRUSS HEAD,M4X12	

FIGURE 300 CASSETTE

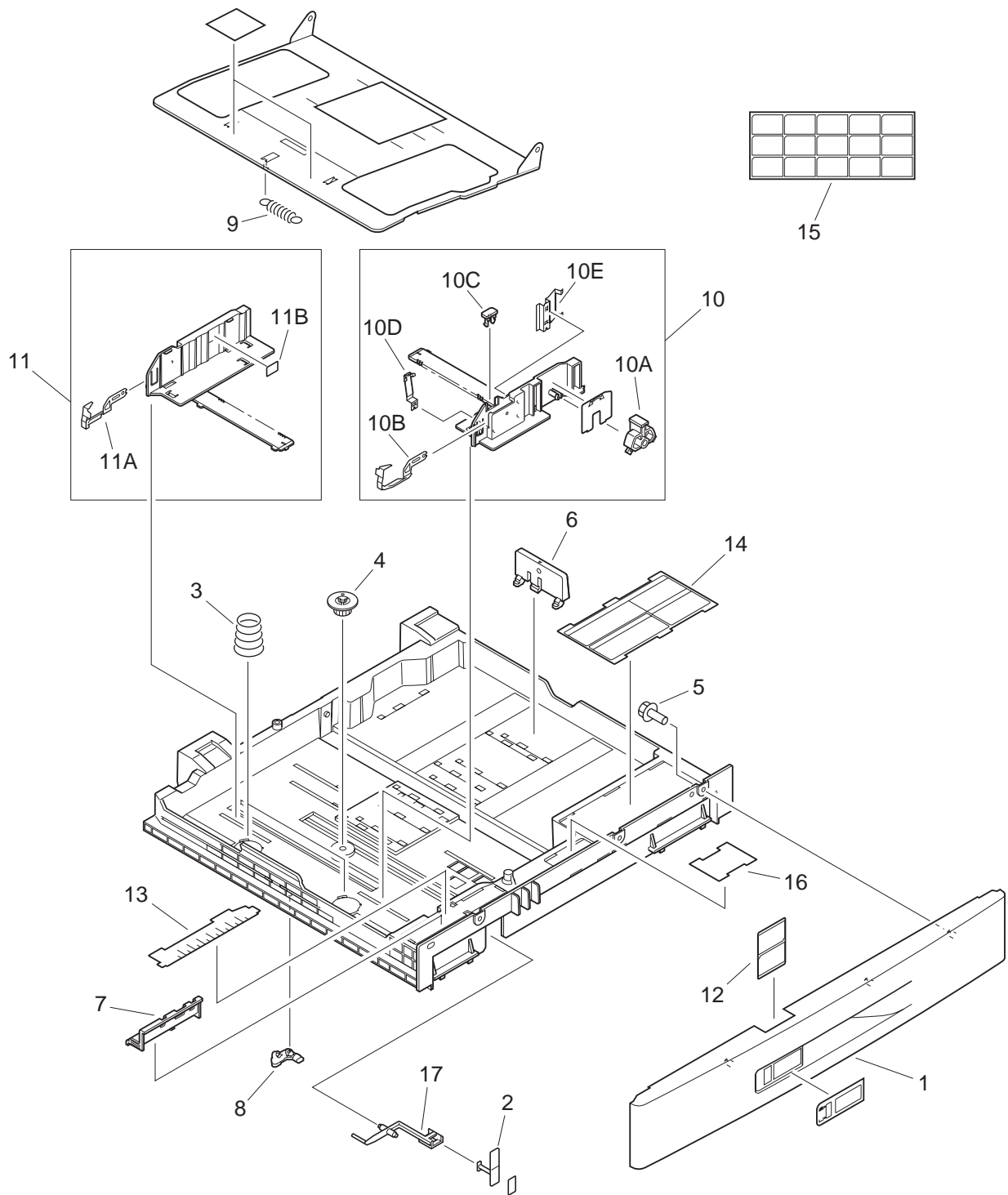


FIGURE & KEY NO.	PART NUMBER	R A N K	Q' T Y	DESCRIPTION	SERIAL NUMBER / REMARKS
300 -	NPN		RF	CASSETTE	
1	FF6-1750-000		1	PANEL, FRONT	
2	FF6-1751-000		1	LEVER, PAPER SENSOR	
3	FB6-2000-000		2	SPRING, COMPRESSION	
4	FS7-0207-000		1	GEAR, 20T	
5	XA9-0605-000		3	SCREW,P,M4X8	
6	FB4-5814-000		1	PLATE, SIZE, REAR	
7	FB6-1640-000		1	LEVER, PAPER SIZE	
8	FB6-1644-000		1	LOCK, PAPER LIFTING PLATE	
9	FS6-2917-000		1	SPRING, TENSION	
10	FG6-8448-000		1	GUIDE, SIDE PAPER END, FRONT	
10A	FB4-5809-020		1	LEVER, LOCK	
10B	FB4-5813-000		1	PLATE, HOLD-DOWN TAB	
10C	FB4-5810-000		1	PLATE, PAPER CONTACT	
10D	FB6-1646-000		1	SPRING, LEAF	
10E	FB6-1649-000		1	SPRING, LEAF	
11	FG6-8449-000		1	GUIDE, SIDE PAPER END, REAR	
11A	FB4-5808-000		1	PLATE, HOLD-DOWN TAB	
11B	FB4-5824-000		1	LABEL	
12	FB6-1654-000		1	PLATE, CASSETTE PAPER SIZE	IR1600/1610F
	FB6-1654-000		2	PLATE, CASSETTE PAPER SIZE	IR2000/2010F
13	FB6-1657-000		1	LABEL, "PAPER SIZE SETTING"	
14	FB6-1658-000		1	LABEL, "PAPER SUPPLY"	
15	FB6-1656-000		1	LABEL, CASSETTE SIZE	IR1600/1610F
	FB6-1656-000		2	LABEL, CASSETTE SIZE	IR2000/2010F
16	FB6-1659-000		1	LABEL, "WARNING"	IR1600 EXCEPT RSP/RSQ IR1610F
	FB6-2207-000		1	LABEL, "WARNING"	IR1600 RSP/RSQ
	FB6-1659-000		2	LABEL, "WARNING"	IR2000 EXCEPT RST/RSU 2010F

FIGURE & KEY NO.	PART NUMBER	R A N K	Q' T Y	DESCRIPTION	SERIAL NUMBER / REMARKS
300 - 16	FB6-2207-000		2	LABEL, "WARNING"	IR2000 RST/RSU
17	FB6-1648-000		1	LEVER, PAPER SENSOR	

FIGURE 310 CASSETTE FEEDER ASSEMBLY

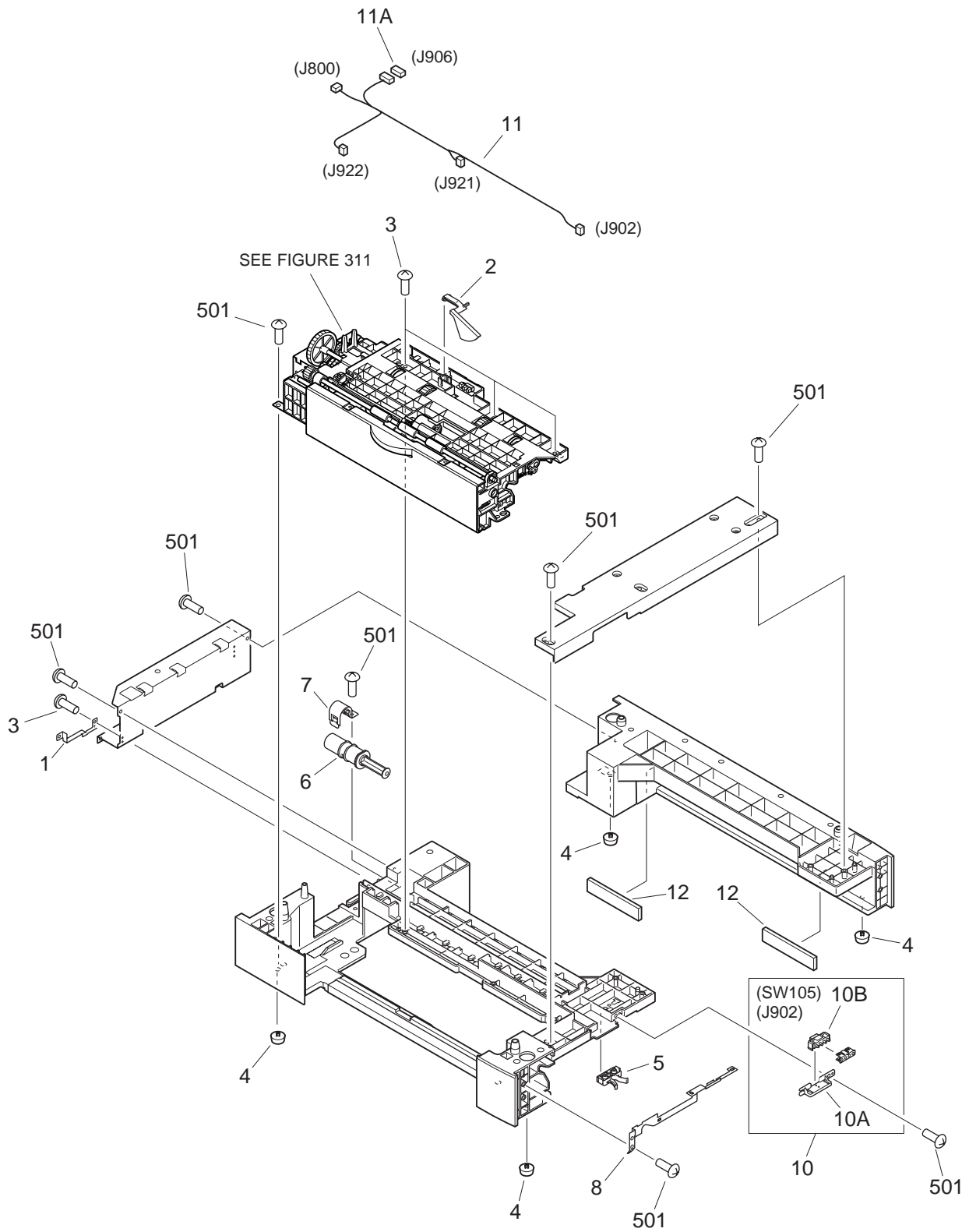
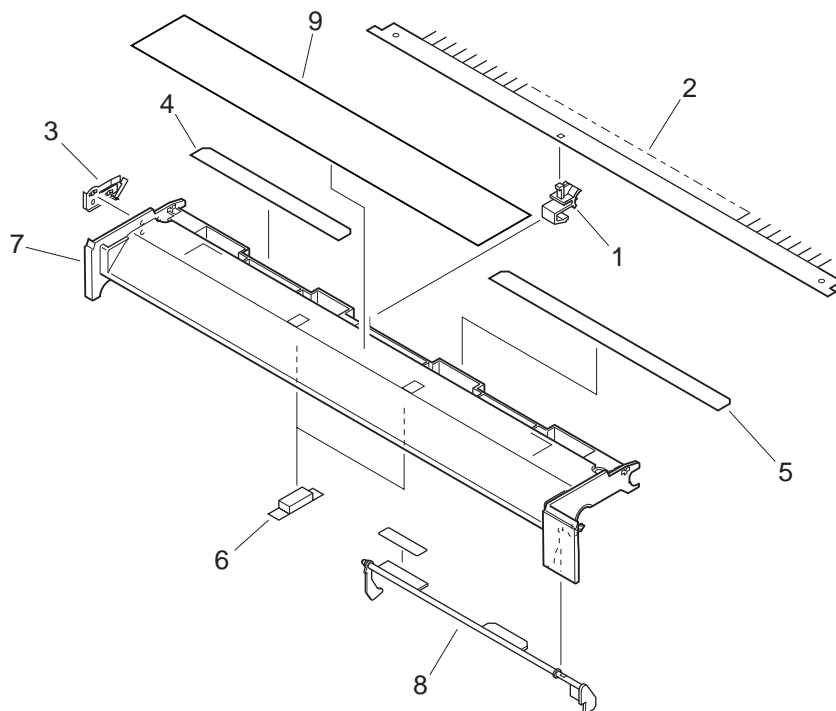


FIGURE & KEY NO.	PART NUMBER	R A N K	Q' T Y	DESCRIPTION	SERIAL NUMBER / REMARKS
310 -	NPN		RF	CASSETTE FEEDER ASSEMBLY	
1	FB6-1605-000		1	PLATE, GROUNDING	
2	FB6-1625-000		1	ARM, PAPER SENSOR	
3	XA9-0385-000		4	SCREW,W/WASHER,M3X6	
4	XH9-0127-000		4	FOOT, RUBBER	
5	FB4-5512-030		1	BLOCK, POSITIONING	
6	FB4-5532-000		1	CASSETTE DAMPER UNIT	
7	FB6-1608-000		1	HOLDER, DAMPER	
8	FB6-1917-000		1	PLATE, GROUNDING	
10	FG6-8440-000		1	SIZE SENSOR UNIT	
10A	FB6-1910-000		1	MOUNT, SIZE SENSOR	
10B	WC2-5332-000		1	SWITCH, CASSETTE SIZE	SW105 J902
11	FG6-8482-000		1	CABLE, CASSETTE	J800,902,906,921,922
11A	VS1-5057-002		1	CONNECTOR, SNAP TIGHT	J906
501	XB4-5401-007		AR	SCREW,P,M4X10	

FIGURE & KEY NO.	PART NUMBER	R A N K	Q' T Y	DESCRIPTION	SERIAL NUMBER / REMARKS
311 -	FG6-8442-000		1	PAPER PICK-UP ASSEMBLY	
1	FB6-1615-000		1	PLATE, GROUNDING	
2	FB6-1616-000		1	GUIDE, VERTICAL PATH	
3	FB6-1626-000		1	LEVER, COUPLING	
4	FB6-1627-000		1	SPRING, TORSION	
5	FB6-1628-000		1	PLATE, GROUNDING	
6	FB6-1632-000		1	GEAR, 16T/34T	
7	FB6-1633-000		1	GEAR, 27T/50T	
8	FB6-1634-000		1	GEAR, 29T	
9	FB6-1636-000		1	GEAR, 39T	
10	FB6-1660-000		1	CAM	
11	FB6-1905-000		1	GEAR, 14T	
12	FB6-1909-000		1	BUSHING	
13	FH6-5044-000		1	SOLENOID	SL151 J906
14	FS1-1205-000		1	BUSHING	
15	FS5-1854-000		1	BUSHING	
16	FB6-1550-000		1	SPRING, TENSION	
17	FS7-0225-000		1	GEAR, 53T	
18	FS7-0226-000		1	GEAR, 36T	
19	FS7-0227-000		1	GEAR, 21T/33T/22T	
20	FS7-0228-000		1	GEAR, 31T	
21	FS7-0229-000		1	GEAR, 18T	
22	FS7-0230-000		1	GEAR, 27T	
23	RB1-2190-000		1	COLLAR, SPRING	
24	RB1-8945-000		1	JOINT	
25	FF6-1621-000		2	ROLLER, SEPARATION	
26	FB6-1541-000		5	BUSHING	
27	WG8-5362-000		2	IC, TLP1241, PHOTO-INTERRUPTER	PS151,152 J921,922
28	FB6-1613-000		1	ROLLER, VERTICAL PATH	
29	FB4-5669-000		2	ROLLER	

FIGURE & KEY NO.	PART NUMBER	R A N K	Q' T Y	DESCRIPTION	SERIAL NUMBER / REMARKS
311 - 30	FB4-9817-030		2	ROLLER, PICK-UP	
31	FE5-4048-000		2	BLOCK, PICK-UP ROLLER ADAPTER	
32	FB4-5672-000		2	PAWL, LOCK	
33	FB6-1614-000		1	PLATE, GROUNDING	
34	FB6-1623-000		1	ARM, FEED SENSOR	
35	FB6-1624-000		1	SPRING, TORSION	
36	FB6-1551-000		2	SPRING, TENSION	
37	RB1-6179-000		2	BUSHING, RIGHT	
38	FB6-1907-000		1	LEVER, RELEASE	
39	FB6-1908-000		1	CAP	
40	FS1-9009-000		1	SCREW, STEPPED, M3	
41	RB2-3320-000		1	LIMITER, TORQUE	
42	FB6-1902-000		1	SPRING, TORSION	
43	FF6-1610-000		1	HOLDER, SEPARATION ROLLER	
44	FB4-5671-000		1	MOUNT, ROLLER	
45	FB6-1629-000		1	PANEL, VERTICAL PATH	
46	FB6-1920-000		2	SPRING, COMPRESSION	
47	FB6-1536-000		2	ROLLER	
48	FB6-1996-000		2	ROLLER, VERTICAL PATH	
49	FB6-1997-000		4	SPRING, COMPRESSION	
501	XB4-7400-809		5	SCREW, TAPPING, TRUSS HEAD, M4X8	
502	XB6-7300-609		1	SCREW, TP, M3X6	
503	XD2-1100-502		7	RING, E	
504	XD2-1100-242		1	RING, E	
505	XD3-1200-122		2	PIN, SPRING	
506	XB1-2400-607		2	SCREW, MACH., TRUSS HEAD, M4X6	
507	XD1-1106-235		8	SHIM	
508	XB2-7300-607		2	SCREW, W/WASHER, M3X6	
509	XB4-7401-005		4	SCREW, TAPPING, TRUSS HEAD, M4X10	

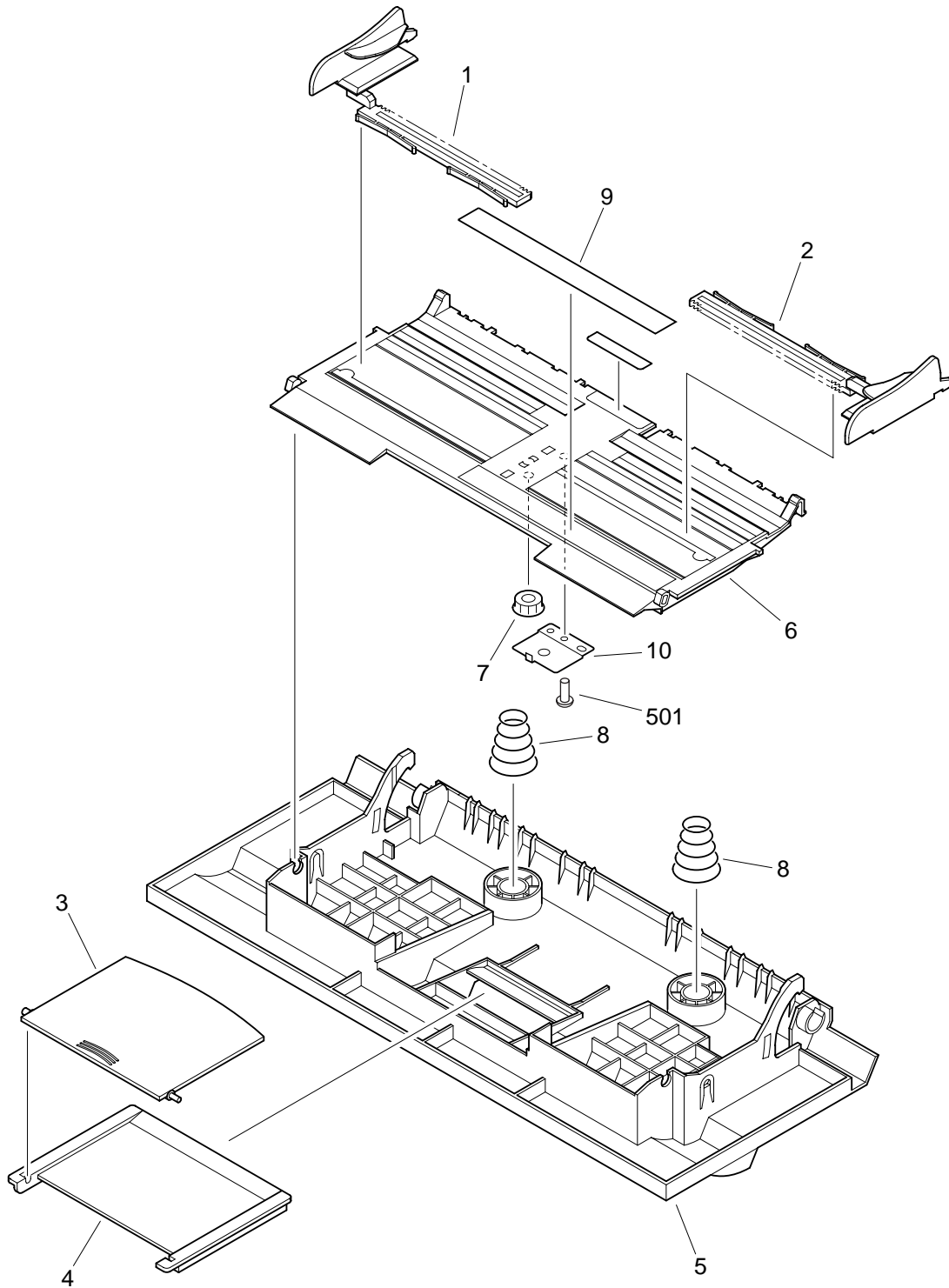
FIGURE 312 PICK-UP GUIDE ASSEMBLY



NOTE : This assembly does not include the part shown with key No. 9.

FIGURE & KEY NO.	PART NUMBER	RANK	QTY	DESCRIPTION	SERIAL NUMBER / REMARKS
312 -	FG6-8308-040		1	PICK-UP GUIDE ASSEMBLY	
1	FB6-2194-000		1	BUSHING	
2	FB5-8027-000		1	ELIMINATOR,STATIC CHARGE	
3	FB5-8040-000		1	PLATE, GROUNDING	
4	FB5-8166-000		1	SHEET, PICK-UP GUIDE, 1	
5	FB5-8167-000		1	SHEET, PICK-UP GUIDE, 2	
6	FB6-1466-000		2	CUSHION, PICK-UP GUIDE	
7	FB6-1430-000		1	GUIDE, MULTI-PURPOSE PICK-UP	
8	FF6-0970-000		1	FLAG, SENSOR	
9	FB6-1979-000		1	LABEL, "ROLLER CAUTION"	EXCEPT RSP/RSQ/RST EXCEPT RSU/RRF/RRK
	FB6-2210-000		1	LABEL, "ROLLER CAUTION"	SEE NOTE RSP/RSQ/RST/RSU SEE NOTE
	FB6-1936-000		1	LABEL, "ROLLER CAUTION"	RRF/RRK SEE NOTE

FIGURE 315 MULTI-PURPOSE TRAY ASSEMBLY



NOTE : This assembly does not include the part shown with key No. 9.

FIGURE & KEY NO.	PART NUMBER	RANK	QTY	DESCRIPTION	SERIAL NUMBER / REMARKS
315 -	FG6-8309-000		1	MULTI-PURPOSE TRAY ASSEMBLY	
1	FB5-8036-000		1	GUIDE, SIDE PAPER END, LEFT	
2	FB5-8037-000		1	GUIDE, SIDE PAPER END, RIGHT	
3	FB5-8038-000		1	TRAY, SUB, 1	
4	FB5-8039-000		1	TRAY, SUB, 2	
5	FB6-1431-000		1	PANEL, MULTI-PURPOSE TRAY	
6	FF6-1732-000		1	TRAY, MULTI-PURPOSE	
7	FS7-0980-000		1	GEAR, 16T	
8	FS7-2712-000		2	SPRING, COMPRESSION	
9	FB6-1971-000		1	LABEL, MULTI-PURPOSE SIZE	SEE NOTE A SIZE
	FB6-1972-000		1	LABEL, MULTI-PURPOSE SIZE	SEE NOTE A/INCH SIZE
	FB6-1973-000		1	LABEL, MULTI-PURPOSE SIZE	SEE NOTE AB/INCH SIZE
10	FB6-1462-000		1	SUPPORT, GEAR	
501	XB4-5300-609		1	SCREW,P,M3X6	

FIGURE 640

DEVELOPING ASSEMBLY

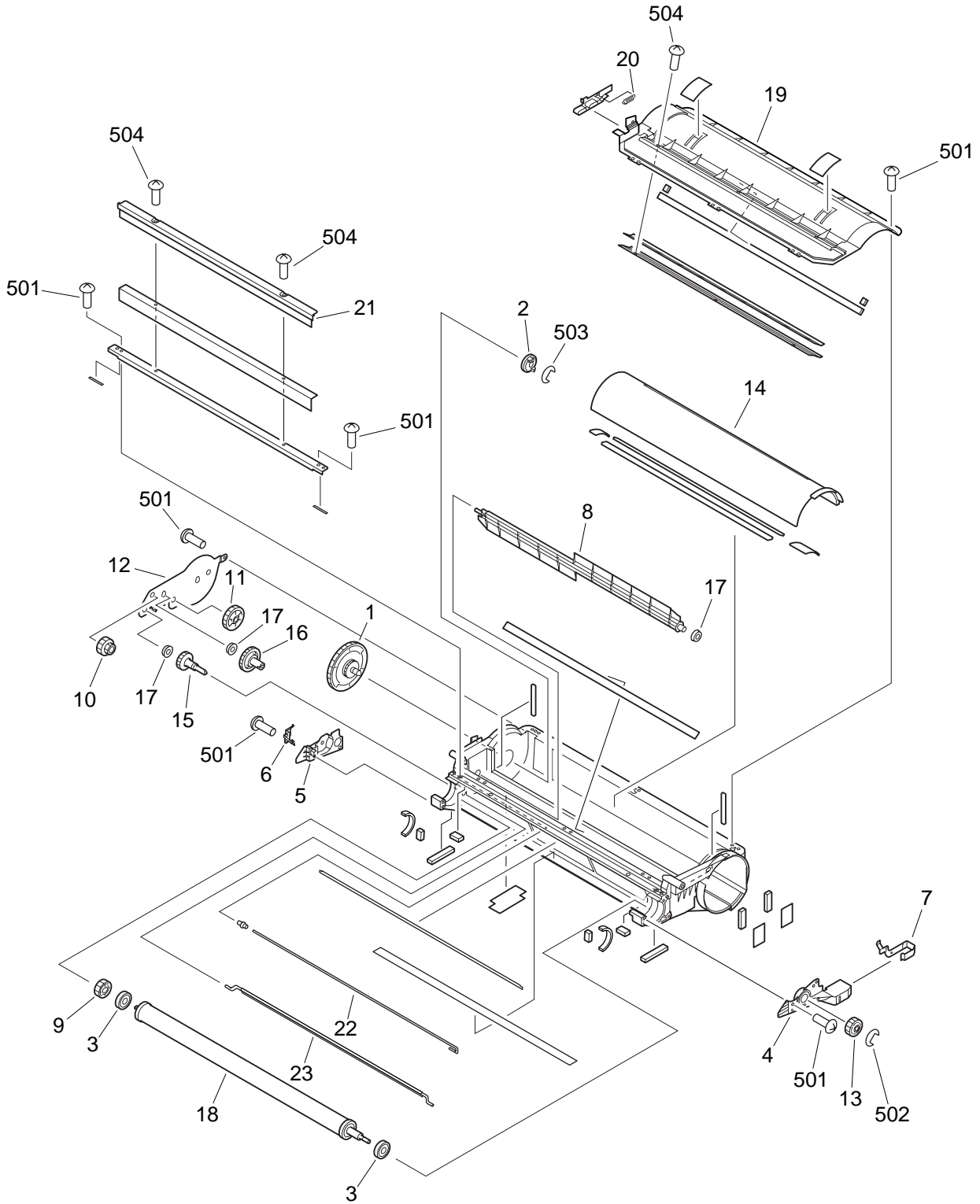


FIGURE & KEY NO.	PART NUMBER	R A N K	Q' T Y	DESCRIPTION	SERIAL NUMBER / REMARKS
640 -	FG6-8413-000		1	DEVELOPING ASSEMBLY	
1	FB6-2008-000		1	GEAR, 70T	
2	FB6-2009-000		1	COUPLING	
3	FB6-2016-000		2	ROLLER	
4	FB6-2017-000		1	PLATE, SLEEVE POSITION, FRONT	
5	FB6-2018-000		1	PLATE, SLEEVE POSITION, REAR	
6	FB6-2019-000		1	PLATE, BIAS	
7	FB6-2020-000		1	PLATE, BIAS	
8	FB6-2021-000		1	STIRRER, TONER	
9	FB6-2024-000		1	GEAR, 20T	
10	FB6-2026-000		1	GEAR, 14T/18T	
11	FB6-2028-000		1	GEAR, 32T	
12	FB6-2034-000		1	PLATE, GEAR POSITIONING	
13	FB6-2037-000		1	GEAR, 21T	
14	FF6-1734-000		1	SHUTTER	
15	FF6-1736-000		1	GEAR, 21T	
16	FF6-1737-000		1	GEAR, 14T/33T	
17	FS5-1438-000		3	BUSHING	
18	FG6-8414-000		1	DEVELOPING CYLINDER UNIT	
19	FB6-2012-000		1	COVER, DEVELOPING	
20	FB6-2039-000		1	SPRING, TENSION	
21	FB6-2022-000		1	BLADE	
22	FB5-7940-000		1	SHAFT	
23	FB5-7941-000		1	ROD, STIRRING	
501	XB4-7300-809		AR	SCREW,TAPPING,TRUSS HEAD,M3X8	
502	XD2-1100-322		1	RING,E	
503	XD2-1100-502		1	RING,E	
504	XB1-2300-609		5	SCREW,MACH.,TRUSS HEAD,M3X6	

FIGURE 810 FIXING ASSEMBLY (1/2)

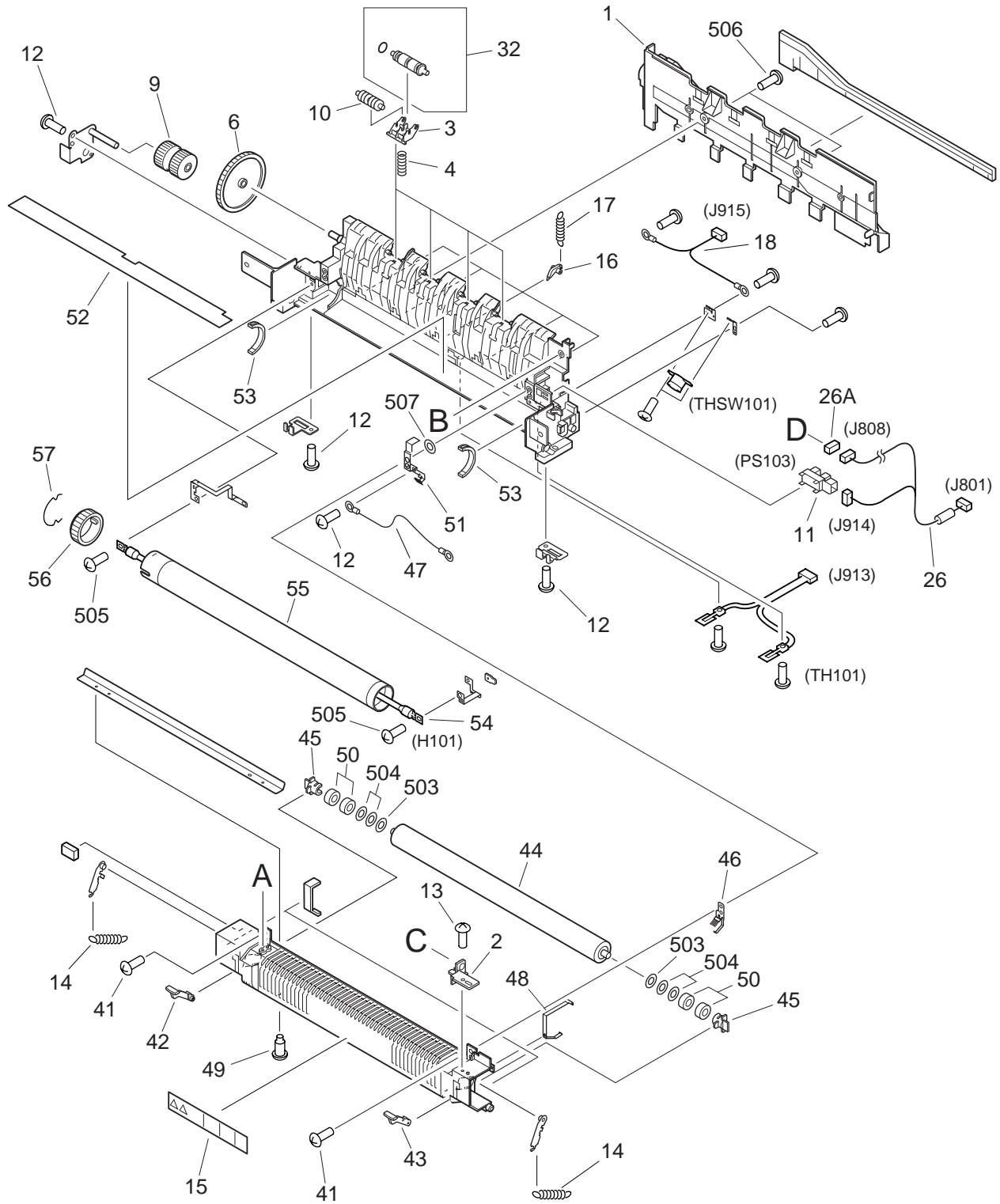


FIGURE 810 FIXING ASSEMBLY (2/2)

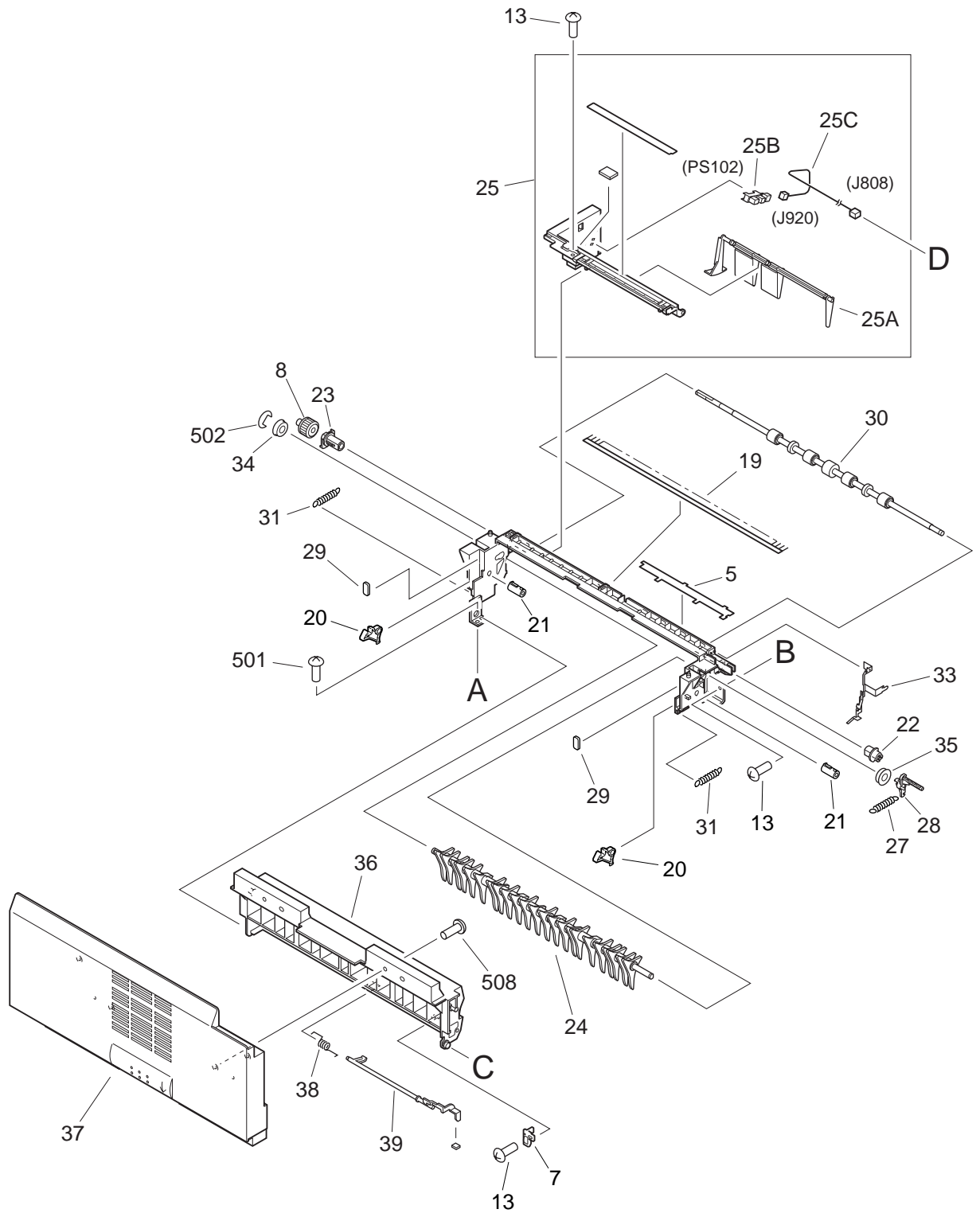


FIGURE & KEY NO.	PART NUMBER	RANK	QTY	DESCRIPTION	SERIAL NUMBER / REMARKS
810 -	FG6-8314-000		1	FIXING ASSEMBLY	120V
	FG6-8215-000		1	FIXING ASSEMBLY	220V RSP/RSQ/RST/RSU
	FG6-8452-000		1	FIXING ASSEMBLY	220V EXCEPT RSP/RSQ 220V EXCEPT RST/RSU 240V
	1	FB6-1491-000		1	PANEL, DELIVERY LOWER
2	FB6-1493-000		1	SUPPORT, LEFT GUIDE SHAFT	
3	FB6-1494-000		4	HOLDER, DELIVERY ROLLER	
4	FB6-1498-000		4	SPRING, COMPRESSION	
5	FB6-1517-000		1	SHEET, DC CABLE STOPPER	
6	FB6-1542-000		1	GEAR, 61T	
7	FB6-1999-000		1	SUPPORT, SENSOR LEVER	
8	FS7-0982-000		1	GEAR, 15T	
9	FS7-0983-000		1	GEAR, 25T	
10	FB6-1537-000		4	ROLLER	
11	WG8-5362-000		1	IC, TLP1241, PHOTO-INTERRUPTER	PS103 J914
12	XA9-1279-000		4	SCREW,W/WASHER,M3X8	
13	XA9-0901-000		5	SCREW,W/WASHER,M3X10	
14	FS7-2595-000		2	SPRING, TENSION	
15	FS7-8267-000		1	LABEL, CAUTION	EXCEPT RSP/RSQ/RST EXCEPT RSU
	FB6-2213-000		1	LABEL, CAUTION	RSP/RSQ/RST/RSU
16	FB5-8143-000		5	CLAW, SEPARATION	
17	FS7-2596-000		5	SPRING, TENSION	
18	FG6-8487-000		1	CABLE, HEATER	J915
19	FB4-3098-000		1	ELIMINATOR, STATIC CHARGE	
20	FB4-5672-000		2	PAWL, LOCK	
21	FB4-5673-000		2	SHAFT, LOCK	
22	FB5-8126-000		1	BUSHING	
23	FB5-8129-000		1	BUSHING	
24	FB6-1487-000		1	DEFLECTOR, DELIVERY	
25	FG6-8411-000		1	SENSOR LEVER UNIT	

FIGURE & KEY NO.	PART NUMBER	RANK	QTY	DESCRIPTION	SERIAL NUMBER / REMARKS
810 - 25A	FB6-1546-000		1	LEVER, SENSOR	
25B	WG8-5362-000		1	IC, TLP1241, PHOTO-INTERRUPTER	PS102 J920
25C	FG6-8485-000		1	CABLE, SENSOR	J808,920
26	FG6-8484-000		1	CABLE, FIXING SENSOR	J801,808,914
26A	VS1-6198-003		1	CONNECTOR, SNAP TIGHT	J808
27	FB6-1488-000		1	SPRING, TENSION	
28	FB6-1489-000		1	ARM, SOLENOID	
29	FB6-1492-000		2	SHEET, LEFT GUIDE POSITIONING	
30	FB6-1505-000		1	ROLLER, DELIVERY	
31	FB6-1507-000		2	SPRING, TENSION	
32	FG6-8271-000		4	ROLLER, DELIVERY	
33	FB6-1511-000		1	PLATE, GROUNDING	
34	FS1-1205-000		1	BUSHING	
35	RS5-1496-000		1	BUSHING	
36	FB6-1486-000		1	GUIDE, DELIVERY LEFT	
37	FB6-1502-000		1	PANEL, DELIVERY LEFT GUIDE	
38	FB6-1624-000		1	SPRING, TORSION	
39	FF6-1745-000		1	FLAG, DELIVERY SENSOR	
41	XA9-1206-000		2	SCREW,W/WASHER,M4X12	
42	FB5-8122-020		1	LEVER, RELEASE, LEFT	
43	FB5-8123-020		1	LEVER, RELEASE, RIGHT	
44	FB6-1549-000		1	ROLLER, PRESSURE	
45	FB6-1392-000		2	BUSHING	
46	FB5-8130-000		1	ELIMINATOR, STATIC CHARGE	
47	FG6-8488-000		1	CABLE, HEATER GROUNDING	
48	FB5-8149-000		1	PLATE, GROUNDING	
49	FS1-9010-000		2	SCREW,STEPPED,M3X2.2	
50	XG9-0481-000		4	BEARING, BALL, SMR106H26ZZ1MC3	
51	FB6-1514-000		1	ELIMINATOR, STATIC CHARGE	
52	FB6-1515-000		1	SHEET, INSULATION	

FIGURE & KEY NO.	PART NUMBER	RANK	QTY	DESCRIPTION	SERIAL NUMBER / REMARKS
810 - 53	FB6-1548-000		2	BUSHING, FIXING ROLLER	
54	FH7-4731-000		1	HALOGEN HEATER	IR1600 EXCEPT MQT IR2000 EXCEPT MQV H101
	FH7-4732-000		1	HALOGEN HEATER	IR1600 MQT/2000 MQV IR1610F/2010F H101
55	FB5-8132-010		1	ROLLER, FIXING	
56	FS7-0984-000		1	GEAR, 36T	
57	FS7-2597-000		1	SUPPORT, GEAR	
501	XB4-7300-809		1	SCREW, TAPPING, TRUSS HEAD, M3X8	
502	XD2-1100-502		1	RING, E	
503	XD1-1106-213		2	SHIM	
504	XD1-1106-219		4	SHIM	
505	XB2-8300-607		2	SCREW, W/WASHER, M3X6	
506	XB4-7301-009		2	SCREW, TAPPING, TRUSS HEAD, M3X10	
507	XD1-1104-125		1	SHIM	
508	XB4-7401-009		2	SCREW, TAPPING, TRUSS HEAD, M4X10	

FIGURE B LIST OF CONNECTORS (1/3)

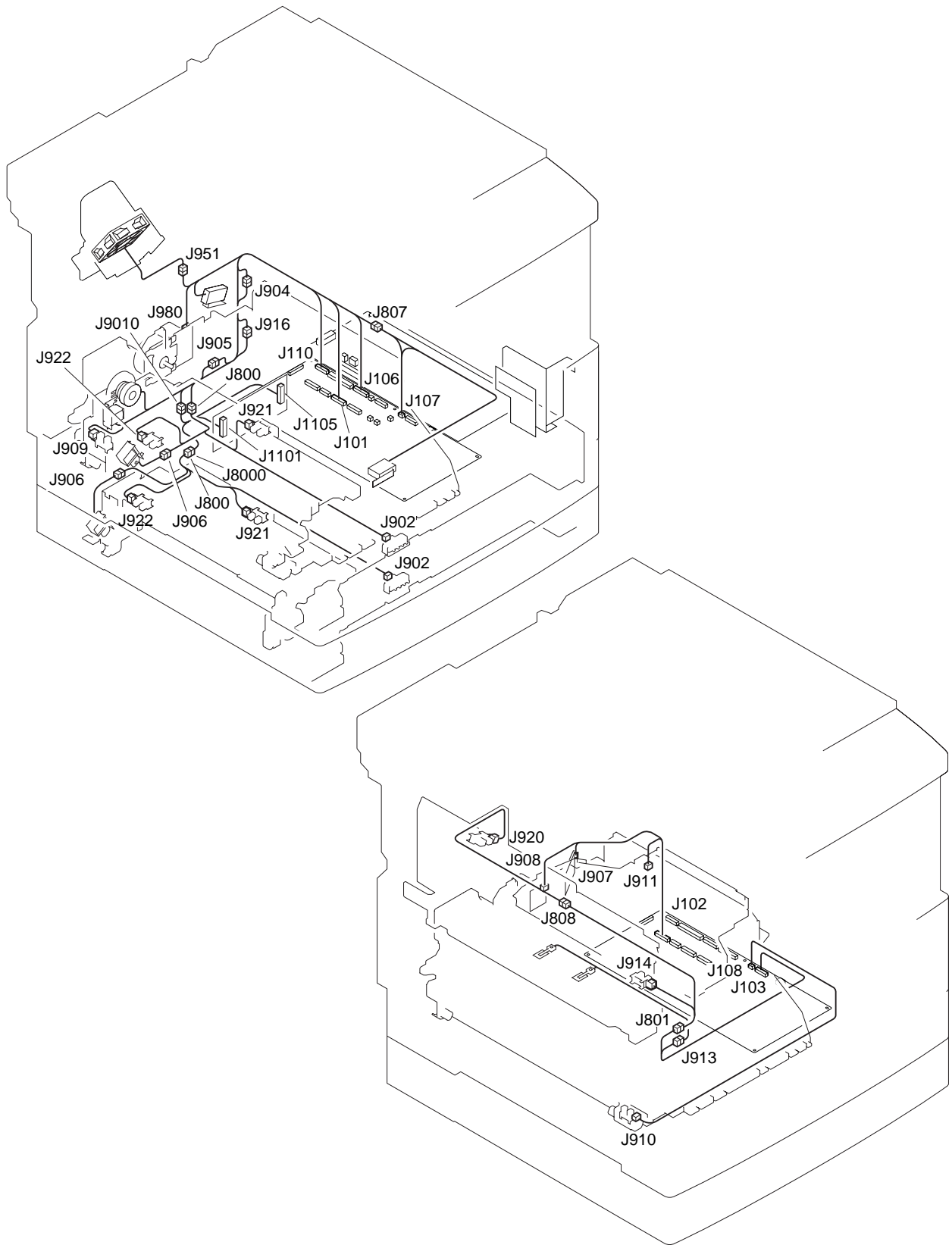


FIGURE B LIST OF CONNECTORS (2/3)

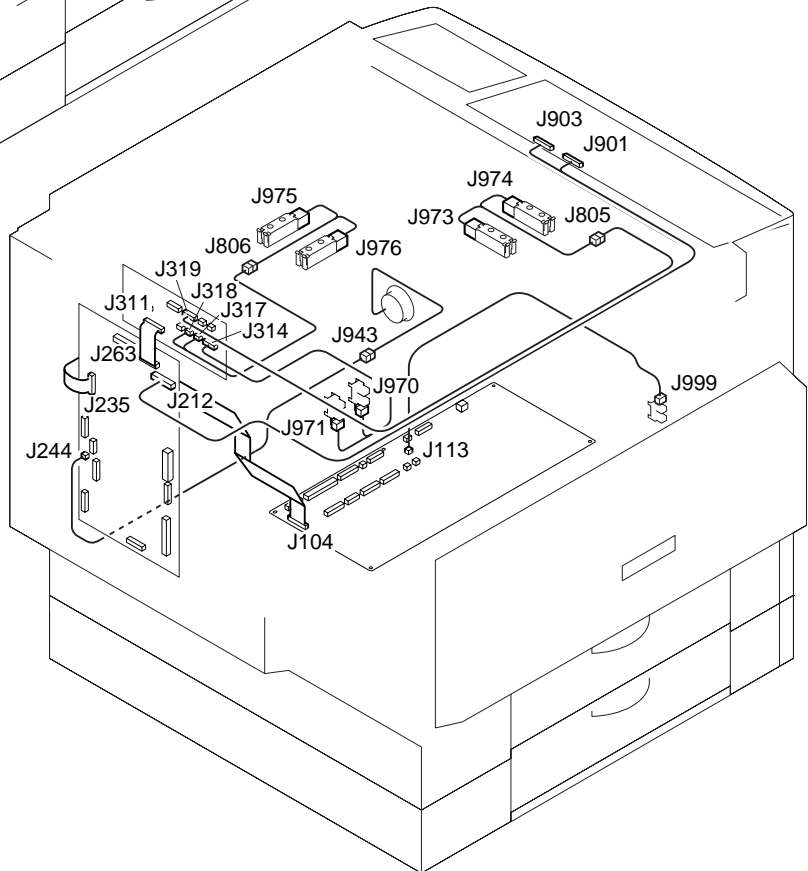
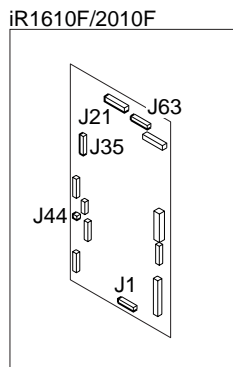
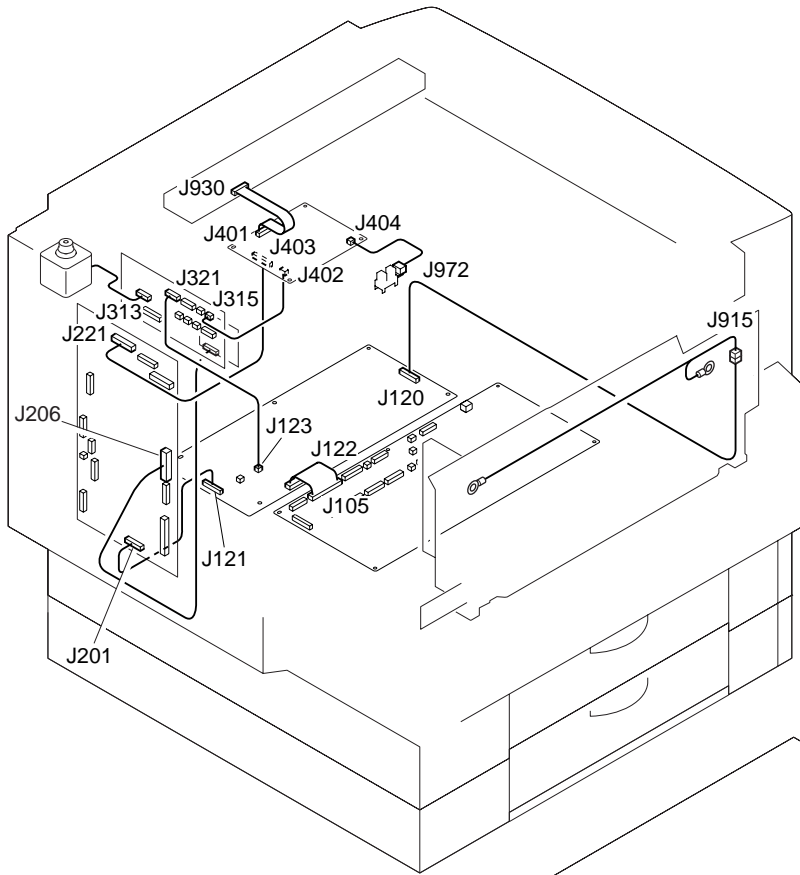


FIGURE B LIST OF CONNECTORS (3/3)

iR1610F/2010F

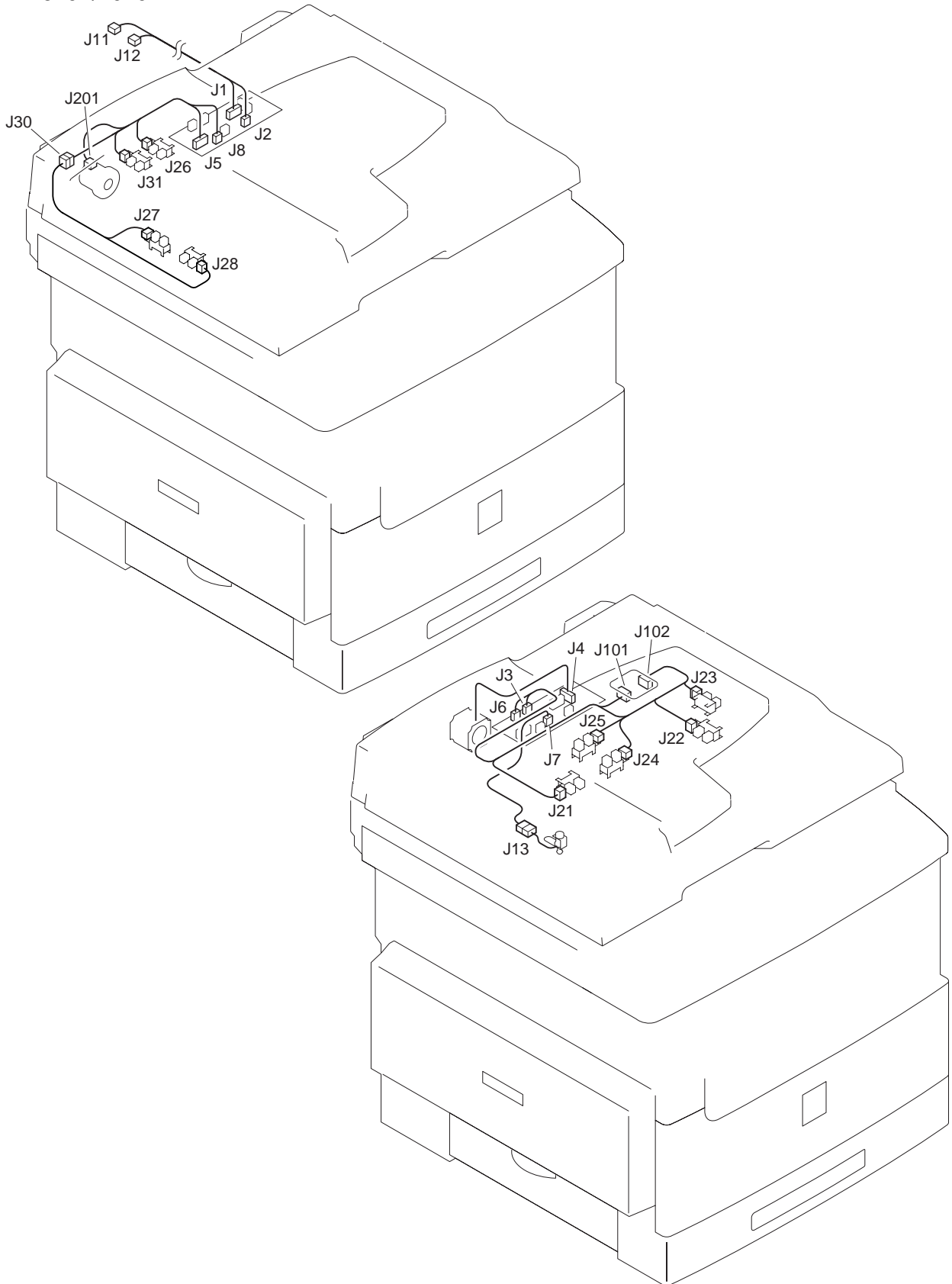


FIGURE & KEY NO.	PART NUMBER	RANK	QTY	DESCRIPTION	SERIAL NUMBER / REMARKS
B -	NPN		RF	LIST OF CONNECTORS	
J1	PCB			IMAGE PROCESSOR	IR1610F/2010F
	FH2-6943-000		1	CABLE, FLAT	IR1610F/2010F
	PCB			NCU	IR1610F/2010F
	VS1-6695-020		1	CONNECTOR, 20P, FEMALE	IR1610F/2010F
	WS3-5569-000		20	PIN, CONTACT	IR1610F/2010F
J2	PCB			NCU	IR1610F/2010F
	VS1-5452-006		1	CONNECTOR, 6P, FEMALE	IR1610F/2010F
J6	PCB			NCU	IR1610F/2010F 220/240V
	FH2-7003-000		1	CABLE, FFC	IR1610F/2010F 220/240V
J21	PCB			IMAGE PROCESSOR	IR1610F/2010F
	FH2-6948-000		1	CABLE, IP-AP	IR1610F/2010F
J32	PCB			IMAGE PROCESSOR	IR1610F/2010F
	VS1-5452-012		1	CONNECTOR, 12P, FEMALE	IR1610F/2010F
	VS1-6084-012		1	CONNECTOR, 12P, FEMALE	IR1610F/2010F
	VS1-6197-024		1	HOLDER, CONNECTOR, 24P	IR1610F/2010F
J35	PCB			IMAGE PROCESSOR	IR1610F/2010F
	FH2-6942-000		1	CABLE, FLAT	IR1610F/2010F
J41	PCB			IMAGE PROCESSOR	IR1610F/2010F
	FH2-6943-000		1	CABLE, FLAT	IR1610F/2010F
J42	PCB			IMAGE PROCESSOR	IR1610F/2010F 220/240V
	FH2-7003-000		1	CABLE, FFC	IR1610F/2010F 220/240V
J44	PCB			IMAGE PROCESSOR	IR1610F/2010F
	VS3-0143-002		1	CONNECTOR, 2P, FEMALE	IR1610F/2010F
	WS3-1105-000		2	SOCKET CONTACT	IR1610F/2010F
J63	PCB			IMAGE PROCESSOR	IR1610F/2010F
	FH2-6945-000		1	CABLE, FLAT	IR1610F/2010F
J81	PCB			IMAGE PROCESSOR	IR1610F/2010F
	VS1-5452-006		1	CONNECTOR, 6P, FEMALE	IR1610F/2010F
J101	PCB			DC CONTROLLER	

FIGURE & KEY NO.	PART NUMBER	RANK	QTY	DESCRIPTION	SERIAL NUMBER / REMARKS
B - J101	VS1-0842-011		1	CONNECTOR, 11P, FEMALE	
J102	PCB			DC CONTROLLER	
	VS1-6225-015		1	CONNECTOR, 15P, FEMALE	
J103	PCB			DC CONTROLLER	
	VS1-6225-012		1	CONNECTOR, 12P, FEMALE	
J104	PCB			DC CONTROLLER	
	FH2-6942-000		1	CABLE, FLAT	
J105	PCB			DC CONTROLLER	
	FH2-6894-000		1	CABLE, FLAT, 35P	
J106	PCB			DC CONTROLLER	
J107	VS1-6225-016		1	CONNECTOR, 16P, FEMALE	
	PCB			DC CONTROLLER	
	VS3-5083-002		1	CONNECTOR, 2P, FEMALE	
	WS3-5160-000		2	SOCKET CONTACT, 18-24AWG	
J108	PCB			DC CONTROLLER	
J110	VS1-6225-003		1	CONNECTOR, 3P, FEMALE	
	PCB			DC CONTROLLER	
	VS1-6225-013		1	CONNECTOR, 13P, FEMALE	
J113	PCB			DC CONTROLLER	
	VS1-0842-003		1	CONNECTOR, 3P, FEMALE	
J120	PCB			POWER SUPPLY	
	VS3-5122-003		1	CONNECTOR, 3P, MALE	
	WS3-5292-000		2	SOCKET CONTACT	
J121	PCB			POWER SUPPLY	
	VS1-6695-020		1	CONNECTOR, 20P, FEMALE	
J122	WS3-5569-000		20	PIN, CONTACT	
	PCB			POWER SUPPLY	
	FH2-6894-000		1	CABLE, FLAT, 35P	
J123	PCB			POWER SUPPLY	
	VS1-6302-004		1	CONNECTOR, 4P, MALE	

FIGURE & KEY NO.	PART NUMBER	RANK	QTY	DESCRIPTION	SERIAL NUMBER / REMARKS
B - J123	WS3-5569-000		4	PIN, CONTACT	
J201	PCB			IMAGE PROCESSOR	IR1600/2000
	VS1-6695-020		1	CONNECTOR, 20P, FEMALE	IR1600/2000
	WS3-5569-000		20	PIN, CONTACT	IR1600/2000
J206	PCB			IMAGE PROCESSOR	

	VS1-6313-011		1	CONNECTOR, 11P, FEMALE	
J212	PCB			IMAGE PROCESSOR	IR1600/2000
	VS1-5452-012		1	CONNECTOR, 12P, FEMALE	IR1600/2000
	VS1-6084-012		1	CONNECTOR, 12P, FEMALE	IR1600/2000
	VS1-6197-024		1	HOLDER, CONNECTOR, 24P	IR1600/2000

J221	PCB			IMAGE PROCESSOR	IR1600/2000
	FH2-6948-000		1	CABLE, IP-AP	IR1600/2000
J235	PCB			IMAGE PROCESSOR	IR1600/2000
	FH2-6942-000		1	CABLE, FLAT	IR1600/2000
J244	PCB			IMAGE PROCESSOR	IR1600/2000

	VS3-0143-002		1	CONNECTOR, 2P, FEMALE	IR1600/2000
	WS3-1105-000		2	SOCKET CONTACT	IR1600/2000
J263	PCB			IMAGE PROCESSOR	IR1600/2000
	FH2-6945-000		1	CABLE, FLAT	IR1600/2000
J311	PCB			DOC.DET./READER DRIVER MOTOR	

	FH2-6945-000		1	CABLE, FLAT	
J313	PCB			DOC.DET./READER DRIVER MOTOR	
	NPN			READER MOTOR	M103
J314	PCB			DOC.DET./READER DRIVER MOTOR	
	VS1-0842-006		1	CONNECTOR, 6P, FEMALE	

J315	PCB			DOC.DET./READER DRIVER MOTOR	
	VS1-0852-003		1	CONNECTOR, 3P, FEMALE	
J317	PCB			DOC.DET./READER DRIVER MOTOR	IR2000/2010F
	VS1-0842-003		1	CONNECTOR, 3P, FEMALE	IR2000/2010F
J318	PCB			DOC.DET./READER DRIVER MOTOR	IR2000/2010F

FIGURE & KEY NO.	PART NUMBER	RANK	QTY	DESCRIPTION	SERIAL NUMBER / REMARKS
B - J318	VS1-0842-004		1	CONNECTOR, 4P, FEMALE	IR2000/2010F
J319	PCB			DOC.DET./READER DRIVER MOTOR	IR2000/2010F
	VS1-0852-006		1	CONNECTOR, 6P, FEMALE	IR2000/2010F
J321	PCB			DOC.DET./READER DRIVER MOTOR	
	VS1-6302-004		1	CONNECTOR, 4P, MALE	

	WS3-5569-000		4	PIN, CONTACT	
J401	PCB			ANALOG PROCESSOR	
	FF6-1759-000		1	CABLE, FLAT	
J402	PCB			ANALOG PROCESSOR	
	VS1-0852-003		1	CONNECTOR, 3P, FEMALE	

J403	PCB			ANALOG PROCESSOR	
	FH2-6948-000		1	CABLE, IP-AP	
J404	PCB			ANALOG PROCESSOR	
	VS1-0842-003		1	CONNECTOR, 3P, FEMALE	
J800	VS1-0842-013		2	CONNECTOR, 13P, FEMALE	

	VS1-5057-013		1	CONNECTOR, SNAP TIGHT	
J801	VS1-0842-007		1	CONNECTOR, 7P, FEMALE	
	VS1-5057-007		1	CONNECTOR, SNAP TIGHT	
	VS1-5824-007		1	CONNECTOR, 7P, FEMALE	
J805	VS1-6225-006		2	CONNECTOR, 6P, FEMALE	IR2000/2010F AB/INCH SIZE

	VS1-6492-006		1	CONNECTOR, SNAP TIGHT	IR2000/2010F AB/INCH SIZE
J806	VS1-6225-006		2	CONNECTOR, 6P, FEMALE	IR2000/2010F AB/INCH SIZE
	VS1-6492-006		1	CONNECTOR, SNAP TIGHT	IR2000/2010F AB/INCH SIZE
J807	VS1-5729-003		1	CONNECTOR, 3P, MALE	
	VS3-5083-000		1	CONNECTOR, 3P, FEMALE	

	WS3-5160-000		2	SOCKET CONTACT, 18-24AWG	
	WS3-5301-000		2	PIN CONTACT	
J808	VS1-0842-003		1	CONNECTOR, 3P, FEMALE	
	VS1-5824-003		1	CONNECTOR, 3P, FEMALE	
	VS1-6198-003		1	CONNECTOR, SNAP TIGHT	

FIGURE & KEY NO.	PART NUMBER	RANK	QTY	DESCRIPTION	SERIAL NUMBER / REMARKS
B - J808	WS3-5358-000		3	SOCKET CONTACT, 22-26AWG	
J901	PCB			CONTROL PANEL	
	VS1-5452-014		1	CONNECTOR, 14P, FEMALE	
J902	NPN			PAPER SIZE DET. SWITCH	SW105
	VS1-0842-005		1	CONNECTOR, 5P, FEMALE	
	VS1-0842-005		1	CONNECTOR, 5P, FEMALE	IR2000/2010F
J903	PCB			CONTROL PANEL	
	VS1-5452-012		1	CONNECTOR, 12P, FEMALE	
J904	NPN			MULTI PAPER PICK-UP SOLENOID	SL101
	VS1-0842-002		1	CONNECTOR, 2P, FEMALE	
	VS1-5057-002		1	CONNECTOR, SNAP TIGHT	
J905	NPN			REGISTRATION CLUTCH	CL101
	VS1-0842-002		1	CONNECTOR, 2P, FEMALE	
	VS1-5057-002		1	CONNECTOR, SNAP TIGHT	
J906	NPN			CASSETTE PICK-UP SOLENOID	SL151
	VS1-0842-002		1	CONNECTOR, 2P, FEMALE	
	VS1-5057-002		1	CONNECTOR, SNAP TIGHT	
J907	NPN			LASER UNIT	
	VS1-0842-008		1	CONNECTOR, 8P, FEMALE	
J908	NPN			BD SENSOR	
	VS1-0842-003		1	CONNECTOR, 3P, FEMALE	
J909	NPN			REGISTRATION PAPER SENSOR	PS101
	VS1-0842-003		1	CONNECTOR, 3P, FEMALE	
J910	NPN			MULTI PAPER SENSOR	PS105
	VS1-0842-003		1	CONNECTOR, 3P, FEMALE	
J911	NPN			SCANNER MOTOR	M102
	VS1-0842-004		1	CONNECTOR, 4P, FEMALE	
J913	NPN			THERMISTOR	TH101
	VS1-0842-006		1	CONNECTOR, 6P, FEMALE	
	VS1-5057-006		1	CONNECTOR, SNAP TIGHT	

FIGURE & KEY NO.	PART NUMBER	RANK	QTY	DESCRIPTION	SERIAL NUMBER / REMARKS
B - J914	NPN			DELIVERY SENSOR	PS103
	VS1-5824-003		1	CONNECTOR, 3P, FEMALE	
	WS3-5358-000		3	SOCKET CONTACT, 22-26AWG	
J915	VS3-5121-002		1	CONNECTOR, 2P, MALE	
	VS3-5122-002		1	CONNECTOR, 2P, MALE	
J916	WS3-5292-000		4	SOCKET CONTACT	
	VS1-0842-003		2	CONNECTOR, 3P, FEMALE	
	VS1-5057-003		1	CONNECTOR, SNAP TIGHT	
J920	NPN			PAPER FULL DET. SENSOR	PS102
	VS1-0842-003		1	CONNECTOR, 3P, FEMALE	
J921	NPN			CASSETTE PAPER SENSOR	PS151
	VS1-0842-003		1	CONNECTOR, 3P, FEMALE	
J922	NPN			RETRY SENSOR	PS152
	VS1-0842-003		1	CONNECTOR, 3P, FEMALE	
J930	NPN			CS UNIT	
J943	FF6-1759-000		1	CABLE, FLAT	
	NPN			SPEAKER	SP1
	VS1-5057-002		1	CONNECTOR, SNAP TIGHT	
	VS1-5824-002		1	CONNECTOR, 2P, FEMALE	
	WS3-5358-000		2	SOCKET CONTACT, 22-26AWG	
J951	NPN			EXHAUST FAN	FM101
	VS1-0842-003		1	CONNECTOR, 3P, FEMALE	
	VS1-5057-003		1	CONNECTOR, SNAP TIGHT	
J970	NPN			COPYBOARD OPEN/CLOSE SENSOR	PS111
	VS1-0842-003		1	CONNECTOR, 3P, FEMALE	
J971	NPN			ADF OPEN/CLOSE SENSOR	PS112
	VS1-0852-003		1	CONNECTOR, 3P, FEMALE	
J972	NPN			CS UNIT HP SENSOR	PS113
	VS1-0842-003		1	CONNECTOR, 3P, FEMALE	
J973	NPN			ORIGINAL SIZE DET. SENSOR 1	IR2000/2010F AB/INCH SIZE

FIGURE & KEY NO.	PART NUMBER	RANK	QTY	DESCRIPTION	SERIAL NUMBER / REMARKS
B - J973					PS114
J974	VS1-0853-003 NPN		1	CONNECTOR, 3P, FEMALE ORIGINAL SIZE DET. SENSOR 2	IR2000/2010F AB/INCH SIZE IR2000/2010F AB/INCH SIZE PS115
	VS1-0842-003		1	CONNECTOR, 3P, FEMALE	IR2000/2010F AB/INCH SIZE
J975	NPN			ORIGINAL SIZE DET. SENSOR 3	IR2000/2010F AB/INCH SIZE PS116
	VS1-0842-003		1	CONNECTOR, 3P, FEMALE	IR2000/2010F AB/INCH SIZE
J976	NPN			ORIGINAL SIZE DET. SENSOR 4	IR2000/2010F AB/INCH SIZE PS117
	VS1-0852-003		1	CONNECTOR, 3P, FEMALE	IR2000/2010F AB/INCH SIZE
J980	NPN			MAIN MOTOR	M101
	VS1-0842-006		1	CONNECTOR, 6P, FEMALE	
J999	NPN			WASTE TONER FULL SENSOR	PS120
	VS1-0842-003		1	CONNECTOR, 3P, FEMALE	
J1101	PCB			FEEDER DRIVER	IR2000/2010F
	VS1-0842-013		1	CONNECTOR, 13P, FEMALE	IR2000/2010F
J1105	PCB			FEEDER DRIVER	IR2000/2010F
	VS1-0842-011		1	CONNECTOR, 11P, FEMALE	IR2000/2010F
J9010	SYS			TO CASSETTE FEEDING MODULE	IR1600/1610F
	VS1-0842-011		1	CONNECTOR, 11P, FEMALE	
	VS1-0842-011		1	CONNECTOR, 11P, FEMALE	IR2000/2010F
	VS1-5057-011		1	CONNECTOR, SNAP TIGHT	IR2000/2010F

Cassette Feeding Module - F1/G1/H1

Cassette Feeding Module - F1

[F26 - 0401 XGQ00001 -]
[F26 - 0401 XHV00001 -]

Cassette Feeding Module - G1

[F26 - 0421 XGR00001 -]
[F26 - 0421 XHW00001 -]

Cassette Feeding Module - H1

[F26 - 0411 XGS00001 -]
[F26 - 0411 XHX00001 -]

CONTENTS

– Cassette Feeding Module-F1/G1/H1 –

- RA. ASSEMBLY LOCATION DIAGRAM**

- R11. INTERNAL COMPONENTS (F1 TYPE)**
- R12. INTERNAL COMPONENTS (G1 TYPE)**
- R13. INTERNAL COMPONENTS (H1 TYPE)**

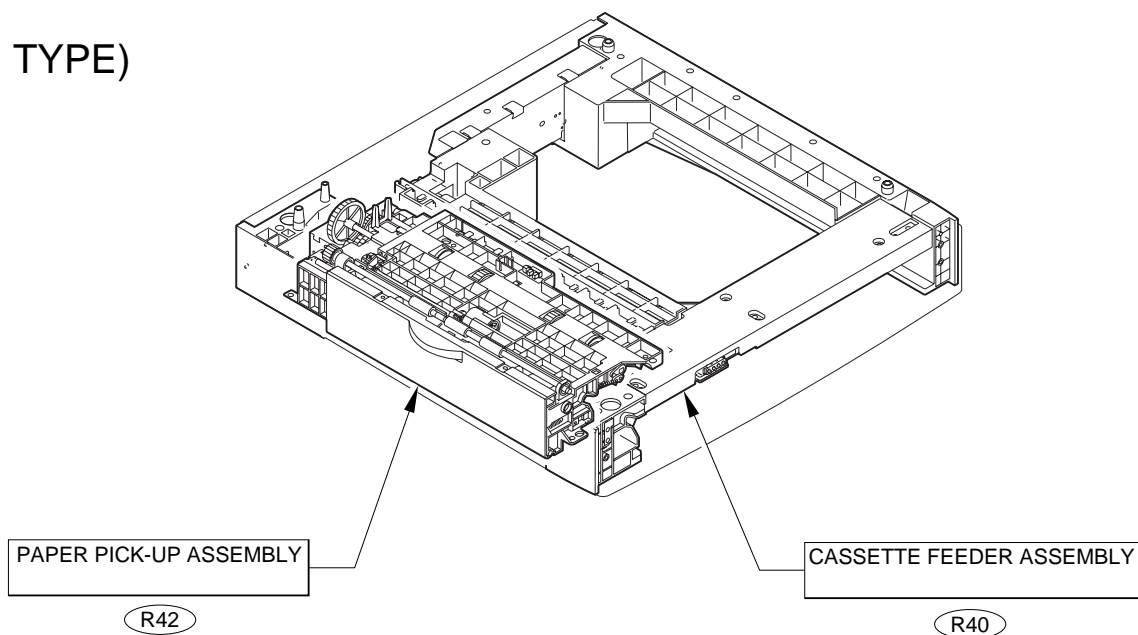
- R40. CASSETTE FEEDER ASSEMBLY**
- R41. CASSETTE FEEDER ASSEMBLY (G1/H1 TYPE)**
- R42. PAPER PICK-UP ASSEMBLY**
- R43. PAPER PICK-UP ASSEMBLY (G1/H1 TYPE)**

- RB1. LIST OF CONNECTORS (F1 TYPE)**
- RB2. LIST OF CONNECTORS (G1 TYPE)**
- RB3. LIST OF CONNECTORS (H1 TYPE)**

- D2. NUMERICAL INDEX**
(Cassette Feeding Module-F1/G1/H1)

FIGURE RA ASSEMBLY LOCATION DIAGRAM (1/2)

(F1 TYPE)



(G1 TYPE)

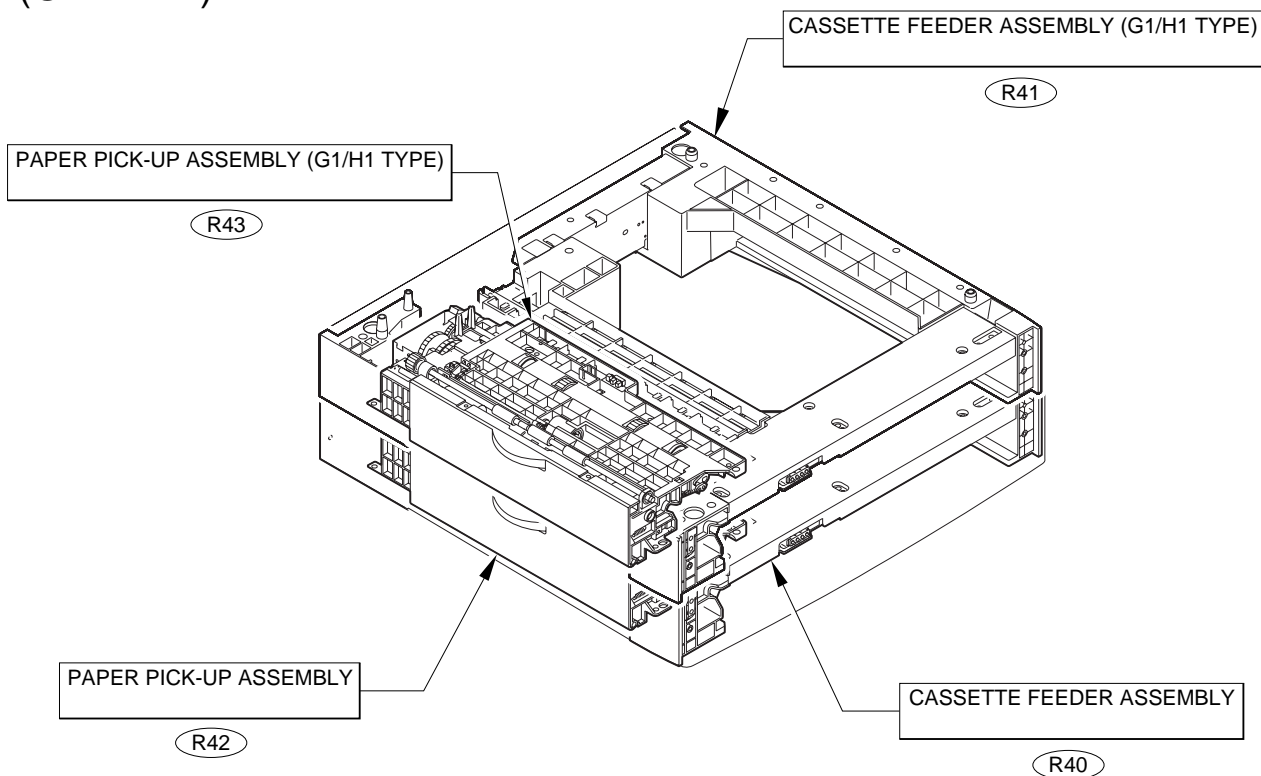


FIGURE RA ASSEMBLY LOCATION DIAGRAM (2/2)

(H1 TYPE)

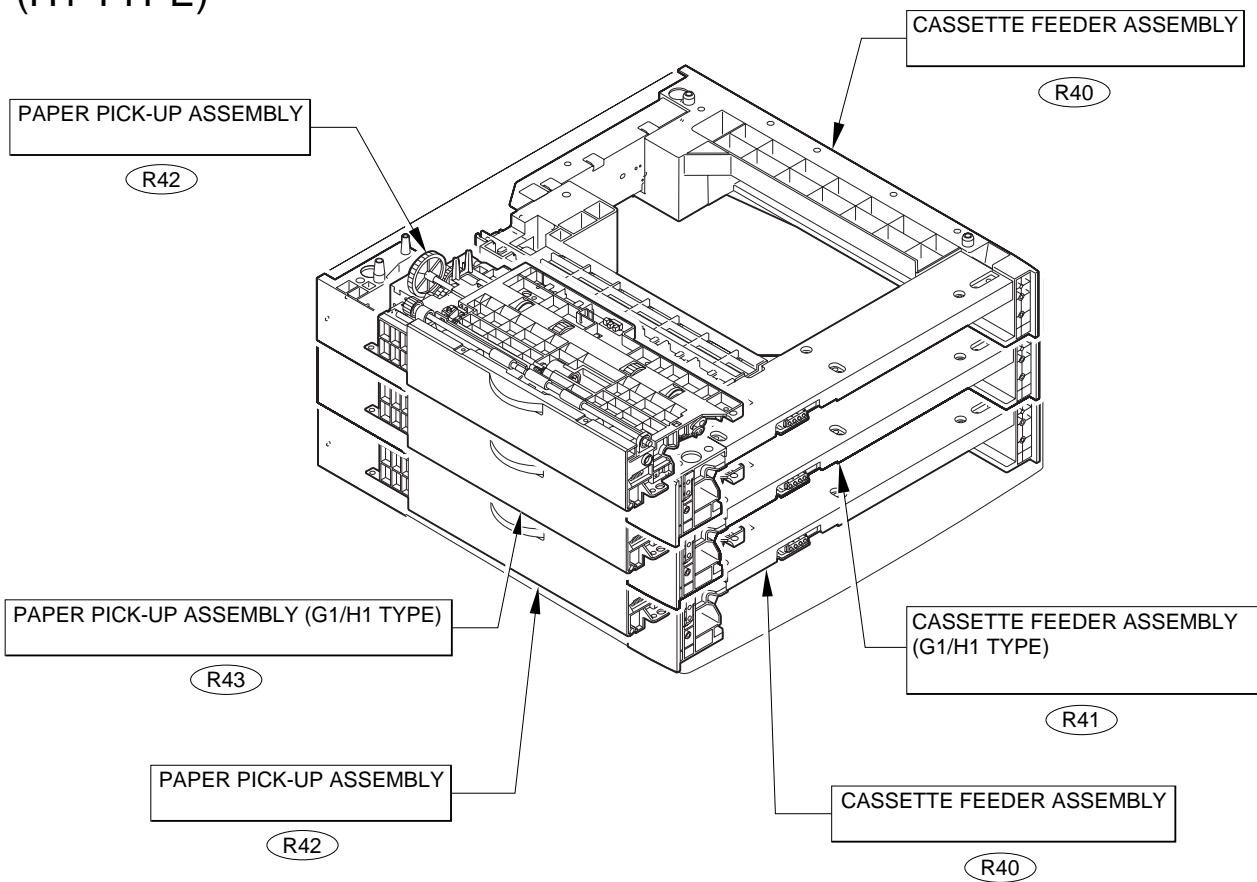


FIGURE R11 INTERNAL COMPONENTS (F1 TYPE)

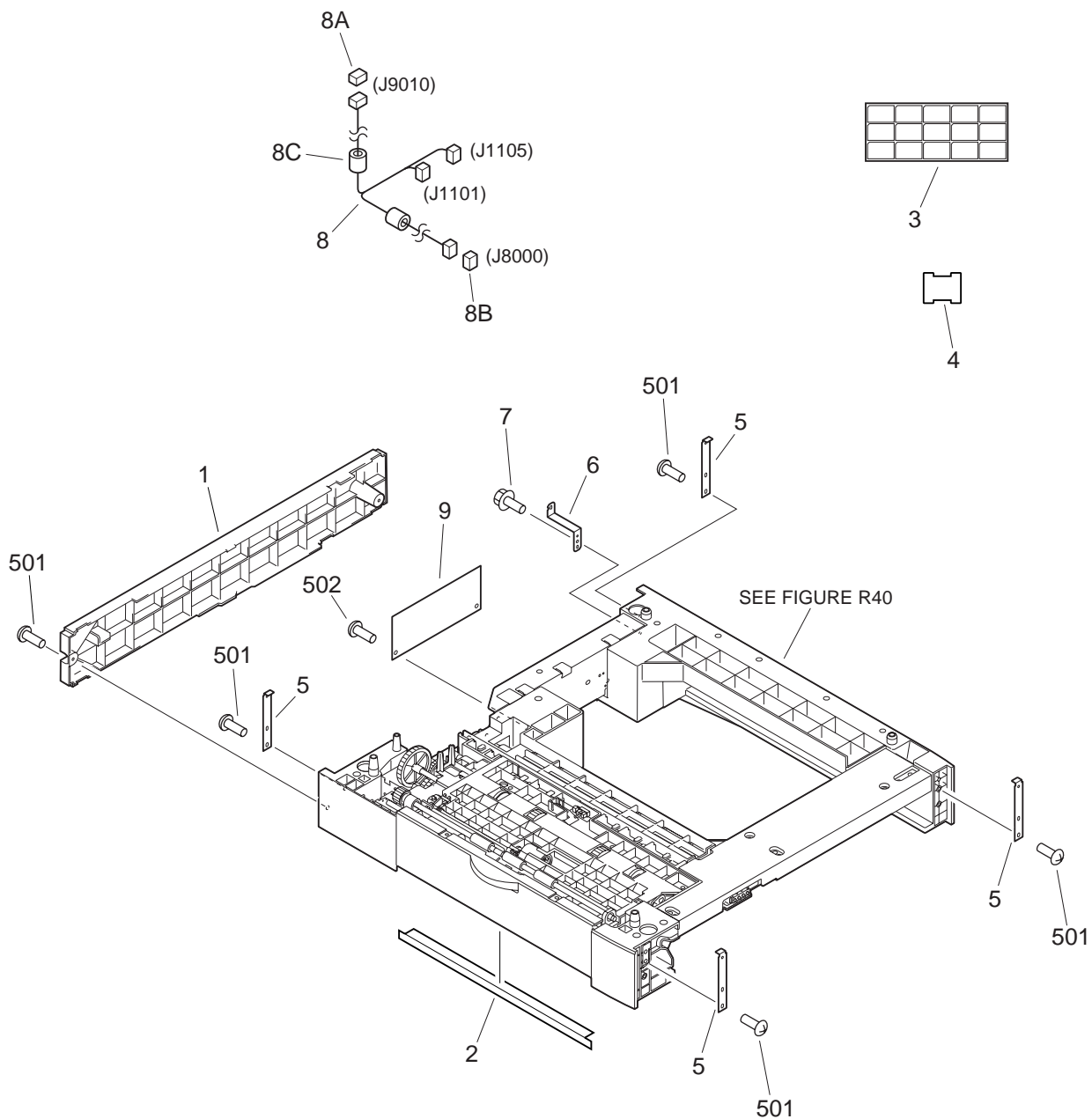


FIGURE & KEY NO.	PART NUMBER	RANK	QTY	DESCRIPTION	SERIAL NUMBER / REMARKS
R11 -	NPN		RF	INTERNAL COMPONENTS	F1 TYPE
1	FB6-1607-000		1	PANEL, FEEDER REAR	
2	FB6-1642-000		1	SHEET, LEFT LOWER	
3	FB6-1656-000		1	LABEL, CASSETTE SIZE	
4	FB6-1659-000		1	LABEL, "WARNING"	
5	FB6-1906-000		4	PLATE, FEEDER CONNECTOR	
6	FB6-1913-000		1	PLATE, GROUNDING	
7	XA9-0385-000		2	SCREW,W/WASHER,M3X6	
8	FG6-8491-000		1	CABLE, PAPER FEEDER, 1	J1101,1105,8000,9010
8A	VS1-5057-011		1	CONNECTOR, SNAP TIGHT	J9010
8B	VS1-5057-013		1	CONNECTOR, SNAP TIGHT	J8000
8C	WE8-0051-000		1	FERRITE CORE ESD-R-19D	
9	FG6-8647-000		1	FEEDER DRIVER PCB ASSEMBLY	
501	XB4-5401-007		10	SCREW,P,M4X10	
502	XB2-8300-806		2	SCREW,W/WASHER,M3X8	

FIGURE R12 INTERNAL COMPONENTS (G1 TYPE)

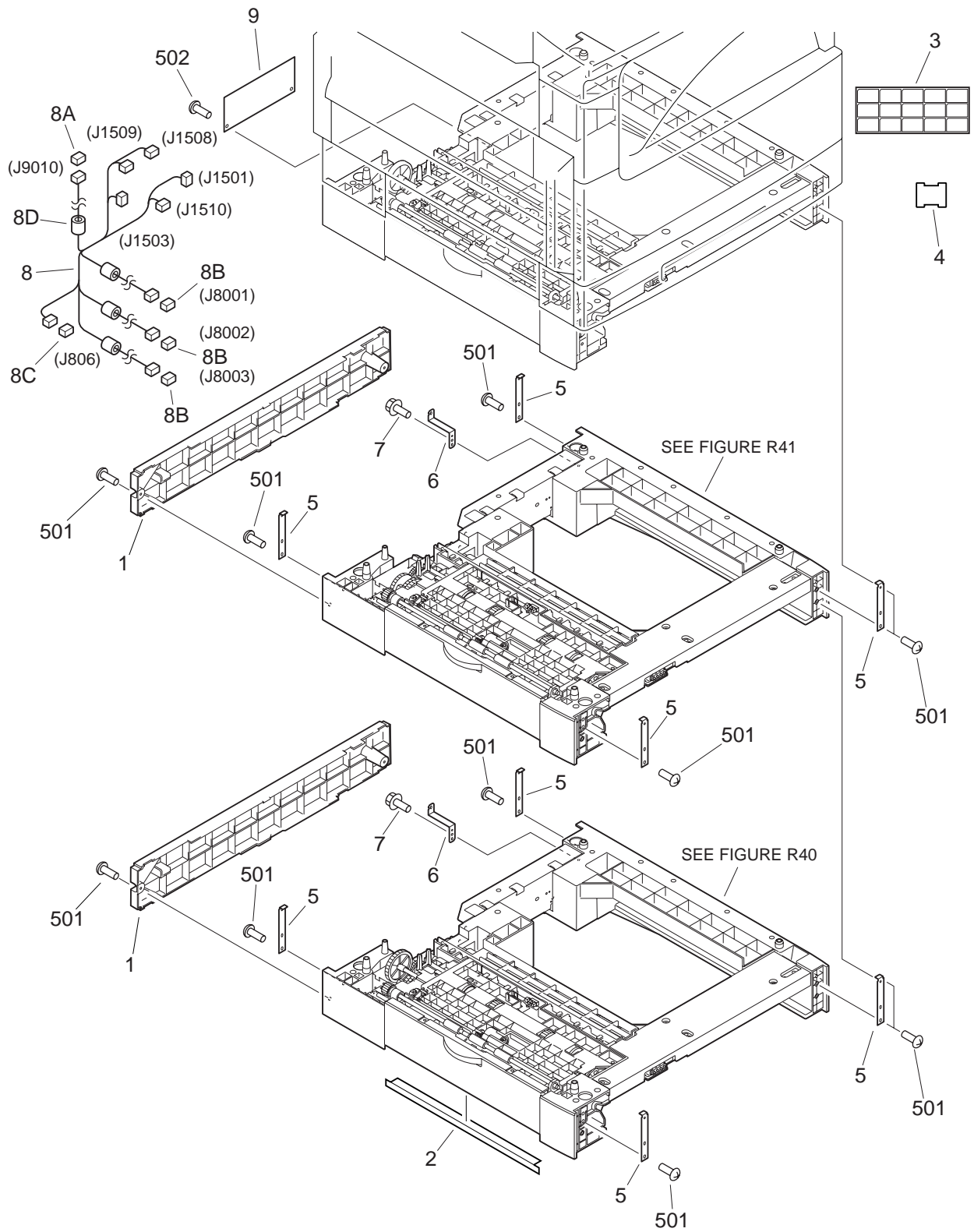


FIGURE & KEY NO.	PART NUMBER	RANK	QTY	DESCRIPTION	SERIAL NUMBER / REMARKS
R12 -	NPN		RF	INTERNAL COMPONENTS	G1 TYPE
1	FB6-1607-000		2	PANEL, FEEDER REAR	
2	FB6-1642-000		1	SHEET, LEFT LOWER	
3	FB6-1656-000		2	LABEL, CASSETTE SIZE	
4	FB6-1659-000		2	LABEL, "WARNING"	
5	FB6-1906-000		8	PLATE, FEEDER CONNECTOR	
6	FB6-1913-000		2	PLATE, GROUNDING	
7	XA9-0385-000		4	SCREW,W/WASHER,M3X6	
8	FG6-8492-000		1	CABLE, PAPER FEEDER, 2	J806,1501,1503 J1508-1510,8001-8003 J9010
8A	VS1-5057-011		1	CONNECTOR, SNAP TIGHT	J9010
8B	VS1-5057-013		3	CONNECTOR, SNAP TIGHT	J8001-8003
8C	VS1-5820-004		1	CONNECTOR, SNAP TIGHT	J806
8D	WE8-0051-000		1	FERRITE CORE ESD-R-19D	
9	FG6-8648-000		1	FEEDER DRIVER PCB ASSEMBLY	
501	XB4-5401-007		20	SCREW,P,M4X10	
502	XB2-8300-806		2	SCREW,W/WASHER,M3X8	

FIGURE R13 INTERNAL COMPONENTS (H1 TYPE)

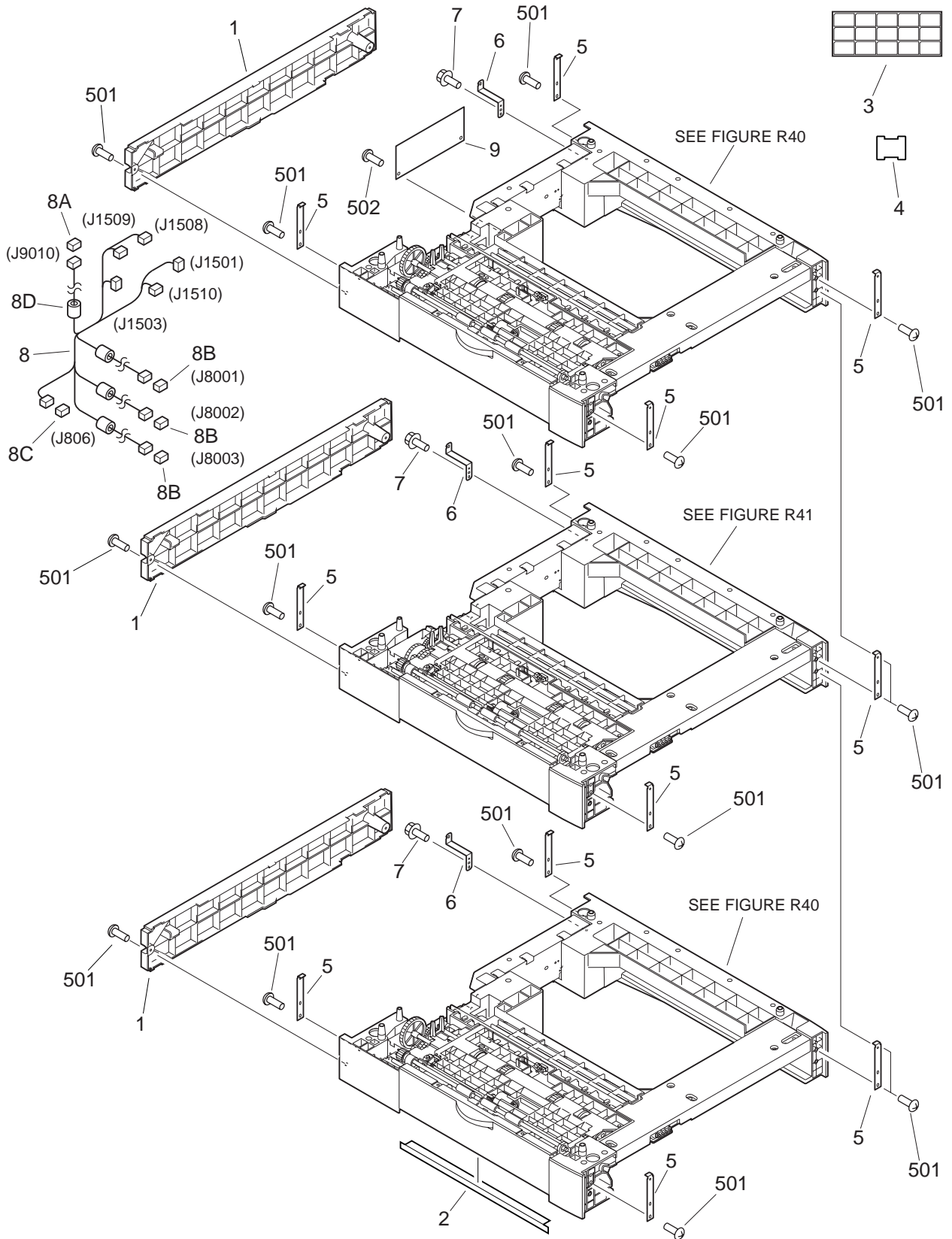


FIGURE & KEY NO.	PART NUMBER	RANK	QTY	DESCRIPTION	SERIAL NUMBER / REMARKS
R13 -	NPN		RF	INTERNAL COMPONENTS	H1 TYPE
1	FB6-1607-000		3	PANEL, FEEDER REAR	
2	FB6-1642-000		1	SHEET, LEFT LOWER	
3	FB6-1656-000		3	LABEL, CASSETTE SIZE	
4	FB6-1659-000		3	LABEL, "WARNING"	
5	FB6-1906-000		12	PLATE, FEEDER CONNECTOR	
6	FB6-1913-000		3	PLATE, GROUNDING	
7	XA9-0385-000		6	SCREW,W/WASHER,M3X6	
8	FG6-8492-000		1	CABLE, PAPER FEEDER, 2	J806,1501,1503 J1508-1510,8001-8003 J9010
8A	VS1-5057-011		1	CONNECTOR, SNAP TIGHT	J9010
8B	VS1-5057-013		3	CONNECTOR, SNAP TIGHT	J8001-8003
8C	VS1-5820-004		1	CONNECTOR, SNAP TIGHT	J806
8D	WE8-0051-000		1	FERRITE CORE ESD-R-19D	
9	FG6-8648-000		1	FEEDER DRIVER PCB ASSEMBLY	
501	XB4-5401-007		30	SCREW,P,M4X10	
502	XB2-8300-806		2	SCREW,W/WASHER,M3X8	

FIGURE R40 CASSETTE FEEDER ASSEMBLY

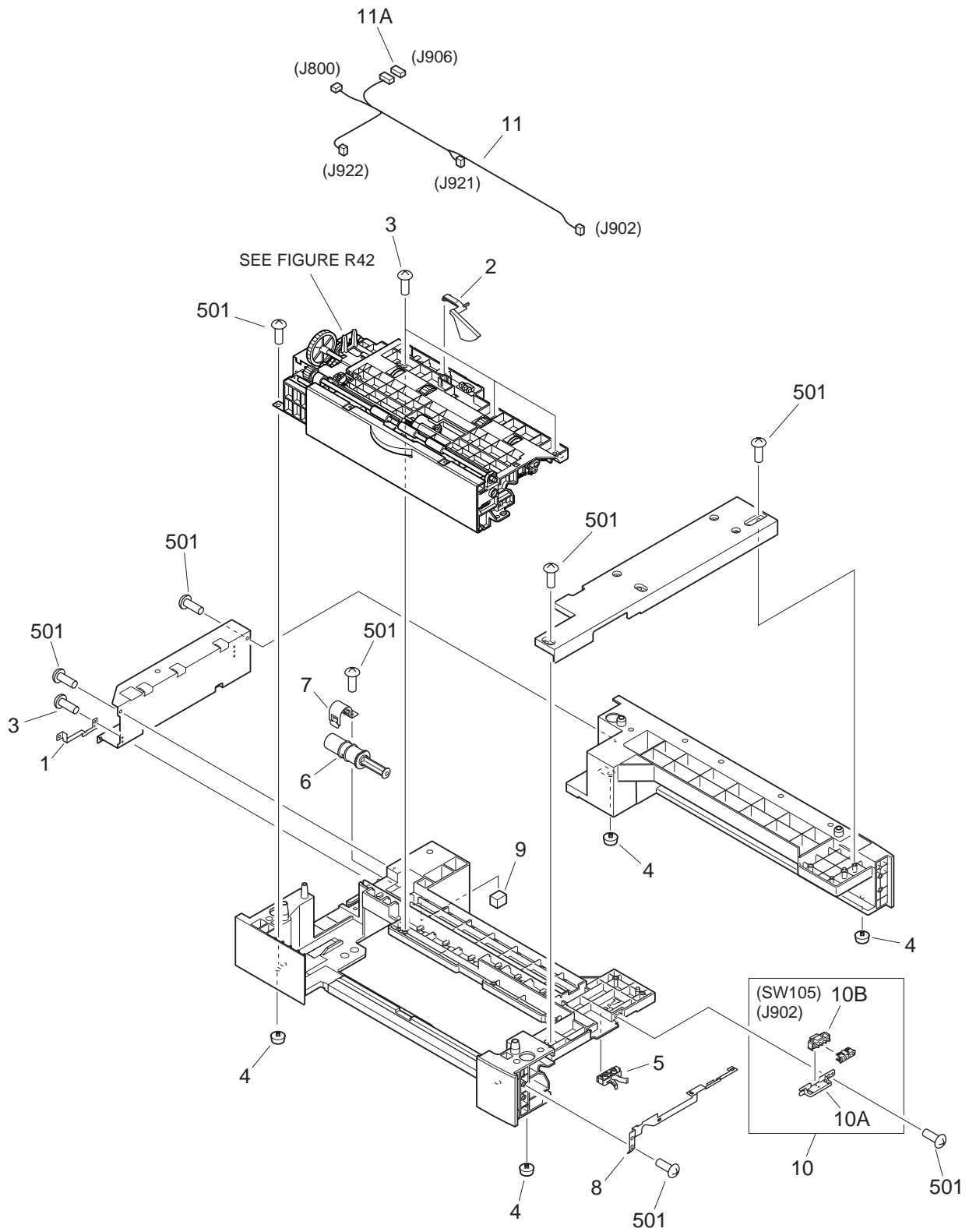


FIGURE & KEY NO.	PART NUMBER	RANK	QTY	DESCRIPTION	SERIAL NUMBER / REMARKS
R40 -	NPN		RF	CASSETTE FEEDER ASSEMBLY	
1	FB6-1605-000		1	PLATE, GROUNDING	
2	FB6-1625-000		1	ARM, PAPER SENSOR	
3	XA9-0385-000		4	SCREW,W/WASHER,M3X6	
4	XH9-0127-000		4	FOOT, RUBBER	
5	FB4-5512-030		1	BLOCK, POSITIONING	
6	FB4-5532-000		1	CASSETTE DAMPER UNIT	
7	FB6-1608-000		1	HOLDER, DAMPER	
8	FB6-1917-000		1	PLATE, GROUNDING	
9	FB6-1974-000		1	FOOT, RUBBER	
10	FG6-8440-000		1	SIZE SENSOR UNIT	
10A	FB6-1910-000		1	MOUNT, SIZE SENSOR	
10B	WC2-5332-000		1	SWITCH, CASSETTE SIZE	SW105 J902
11	FG6-8482-000		1	CABLE, CASSETTE	J800,902,906,921,922
11A	VS1-5057-002		1	CONNECTOR, SNAP TIGHT	J906
501	XB4-5401-007		AR	SCREW,P,M4X10	

FIGURE R41 CASSETTE FEEDER ASSEMBLY (G1/H1 TYPE)

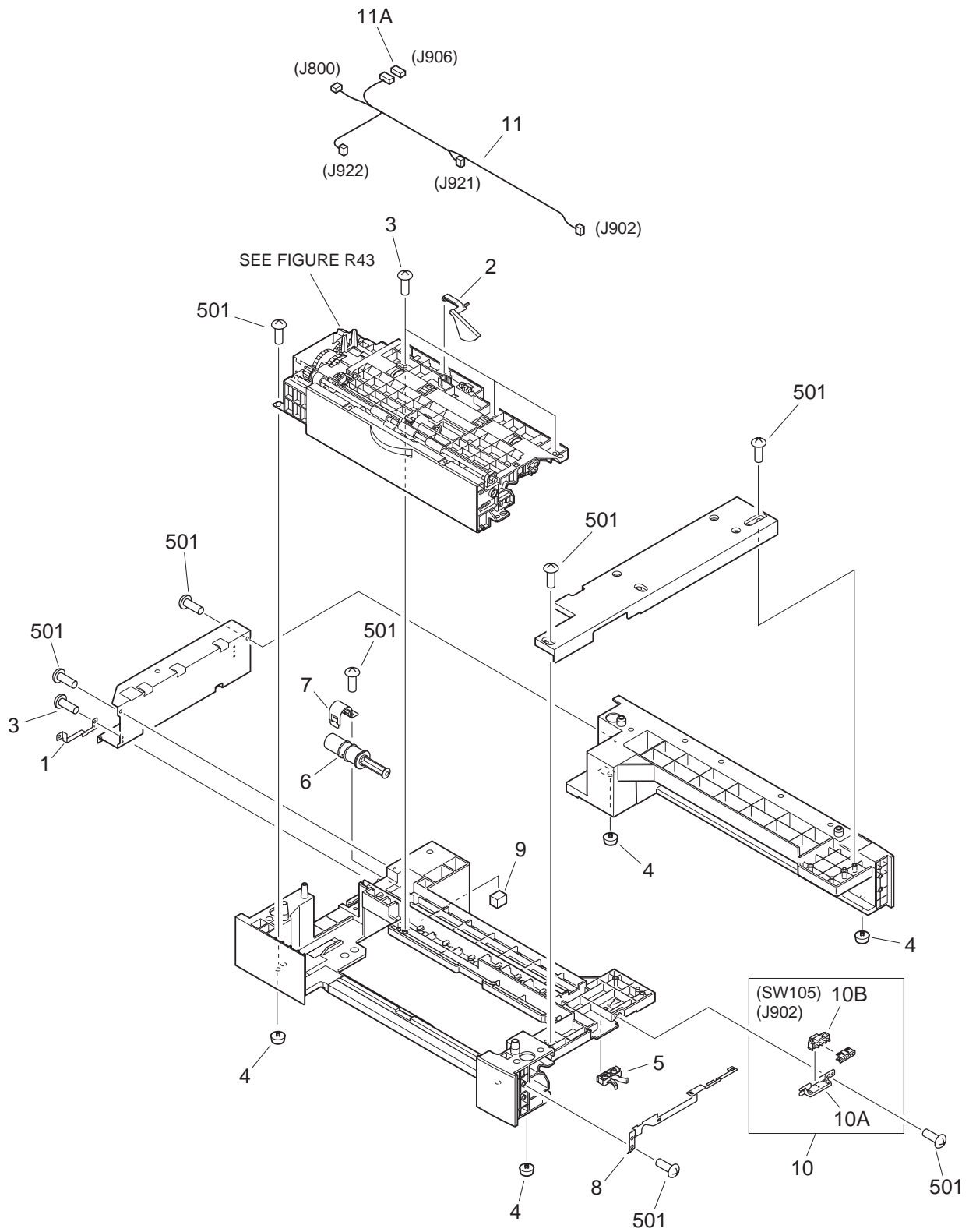


FIGURE & KEY NO.	PART NUMBER	RANK	QTY	DESCRIPTION	SERIAL NUMBER / REMARKS
R41 -	NPN		RF	CASSETTE FEEDER ASSEMBLY	G1/H1 TYPE
1	FB6-1605-000		1	PLATE, GROUNDING	
2	FB6-1625-000		1	ARM, PAPER SENSOR	
3	XA9-0385-000		4	SCREW,W/WASHER,M3X6	
4	XH9-0127-000		4	FOOT, RUBBER	
5	FB4-5512-030		1	BLOCK, POSITIONING	
6	FB4-5532-000		1	CASSETTE DAMPER UNIT	
7	FB6-1608-000		1	HOLDER, DAMPER	
8	FB6-1917-000		1	PLATE, GROUNDING	
9	FB6-1974-000		1	FOOT, RUBBER	
10	FG6-8440-000		1	SIZE SENSOR UNIT	
10A	FB6-1910-000		1	MOUNT, SIZE SENSOR	
10B	WC2-5332-000		1	SWITCH, CASSETTE SIZE	SW105 J902
11	FG6-8482-000		1	CABLE, CASSETTE	J800,902,906,921,922
11A	VS1-5057-002		1	CONNECTOR, SNAP TIGHT	J906
501	XB4-5401-007		AR	SCREW,P,M4X10	

FIGURE & KEY NO.	PART NUMBER	R A N K	Q' T Y	DESCRIPTION	SERIAL NUMBER / REMARKS
R42 -	FG6-8442-000		1	PAPER PICK-UP ASSEMBLY	
1	FB6-1615-000		1	PLATE, GROUNDING	
2	FB6-1616-000		1	GUIDE, VERTICAL PATH	
3	FB6-1626-000		1	LEVER, COUPLING	
4	FB6-1627-000		1	SPRING, TORSION	
5	FB6-1628-000		1	PLATE, GROUNDING	
6	FB6-1632-000		1	GEAR, 16T/34T	
7	FB6-1633-000		1	GEAR, 27T/50T	
8	FB6-1634-000		1	GEAR, 29T	
9	FB6-1636-000		1	GEAR, 39T	
10	FB6-1660-000		1	CAM	
11	FB6-1905-000		1	GEAR, 14T	
12	FB6-1909-000		1	BUSHING	
13	FH6-5044-000		1	SOLENOID	SL151 J906
14	FS1-1205-000		1	BUSHING	
15	FS5-1854-000		1	BUSHING	
16	FS6-2915-000		1	SPRING, TENSION	
17	FS7-0225-000		1	GEAR, 53T	
18	FS7-0226-000		1	GEAR, 36T	
19	FS7-0227-000		1	GEAR, 21T/33T/22T	
20	FS7-0228-000		1	GEAR, 31T	
21	FS7-0229-000		1	GEAR, 18T	
22	FS7-0230-000		1	GEAR, 27T	
23	RB1-2190-000		1	COLLAR, SPRING	
24	RB1-8945-000		1	JOINT	
25	RF5-2634-000		2	ROLLER, SEPARATION	
26	RS1-1016-000		5	BUSHING	
27	WG8-5362-000		2	IC, TLP1241, PHOTO-INTERRUPTER	PS151,152 J921,922
28	FB6-1613-000		1	ROLLER, VERTICAL PATH	
29	FB4-5669-000		2	ROLLER	

FIGURE & KEY NO.	PART NUMBER	RANK	QTY	DESCRIPTION	SERIAL NUMBER / REMARKS
R42 - 30	FB4-9817-030		2	ROLLER, PICK-UP	
31	FE5-4048-000		2	BLOCK, PICK-UP ROLLER ADAPTER	
32	FB4-5672-000		2	PAWL, LOCK	
33	FB6-1614-000		1	PLATE, GROUNDING	
34	FB6-1623-000		1	ARM, FEED SENSOR	
35	FB6-1624-000		1	SPRING, TORSION	
36	FS6-2919-000		2	SPRING, TENSION	
37	RB1-6179-000		2	BUSHING, RIGHT	
38	FB6-1907-000		1	LEVER, RELEASE	
39	FB6-1908-000		1	CAP	
40	FS1-9009-000		1	SCREW, STEPPED, M3	
41	RB2-3320-000		1	LIMITER, TORQUE	
42	FB6-1902-000		1	SPRING, TORSION	
43	FF6-1610-000		1	HOLDER, SEPARATION ROLLER	
44	FB4-5671-000		1	MOUNT, ROLLER	
45	FB6-1629-000		1	PANEL, VERTICAL PATH	
46	FB6-1920-000		2	SPRING, COMPRESSION	
47	RB1-8922-000		2	ROLLER	
48	FB6-1996-000		2	ROLLER, VERTICAL PATH	
49	FB6-1997-000		4	SPRING, COMPRESSION	
501	XB4-7400-809		3	SCREW, TAPPING, TRUSS HEAD, M4X8	
502	XB6-7300-609		1	SCREW, TP, M3X6	
503	XD2-1100-502		7	RING, E	
504	XD2-1100-242		1	RING, E	
505	XD3-1200-122		2	PIN, SPRING	
506	XB1-2400-607		2	SCREW, MACH., TRUSS HEAD, M4X6	
507	XD1-1106-235		8	SHIM	
508	XB2-7300-607		2	SCREW, W/WASHER, M3X6	
509	XB4-7401-005		3	SCREW, TAPPING, TRUSS HEAD, M4X10	

FIGURE R43

PAPER PICK-UP ASSEMBLY (G1/H1 TYPE)

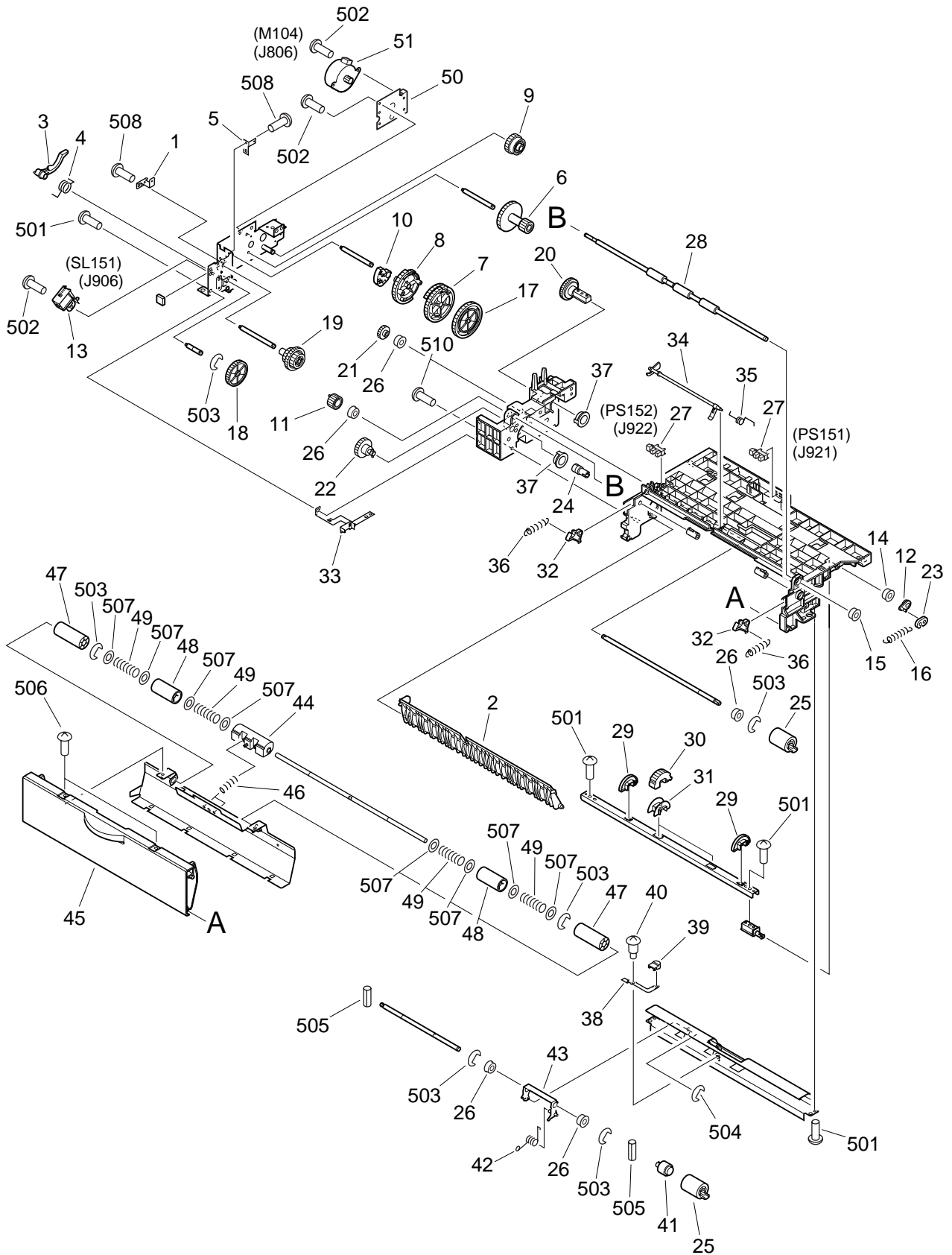


FIGURE & KEY NO.	PART NUMBER	RANK	QTY	DESCRIPTION	SERIAL NUMBER / REMARKS
R43 -	FG6-8630-000		1	PAPER PICK-UP ASSEMBLY	G1/H1 TYPE
1	FB6-1615-000		1	PLATE, GROUNDING	
2	FB6-1616-000		1	GUIDE, VERTICAL PATH	
3	FB6-1626-000		1	LEVER, COUPLING	
4	FB6-1627-000		1	SPRING, TORSION	
5	FB6-1628-000		1	PLATE, GROUNDING	
6	FB6-1632-000		1	GEAR, 16T/34T	
7	FB6-1633-000		1	GEAR, 27T/50T	
8	FB6-1634-000		1	GEAR, 29T	
9	FB6-1904-000		1	GEAR, 15T/39T	
10	FB6-1660-000		1	CAM	
11	FB6-1905-000		1	GEAR, 14T	
12	FB6-1909-000		1	BUSHING	
13	FH6-5044-000		1	SOLENOID	SL151 J906
14	FS1-1205-000		1	BUSHING	
15	FS5-1854-000		1	BUSHING	
16	FS6-2915-000		1	SPRING, TENSION	
17	FS7-0225-000		1	GEAR, 53T	
18	FS7-0226-000		1	GEAR, 36T	
19	FS7-0227-000		1	GEAR, 21T/33T/22T	
20	FS7-0228-000		1	GEAR, 31T	
21	FS7-0229-000		1	GEAR, 18T	
22	FS7-0230-000		1	GEAR, 27T	
23	RB1-2190-000		1	COLLAR, SPRING	
24	RB1-8945-000		1	JOINT	
25	RF5-2634-000		2	ROLLER, SEPARATION	
26	RS1-1016-000		5	BUSHING	
27	WG8-5362-000		2	IC, TLP1241, PHOTO-INTERRUPTER	PS151,152 J921,922
28	FB6-1613-000		1	ROLLER, VERTICAL PATH	
29	FB4-5669-000		2	ROLLER	

FIGURE & KEY NO.	PART NUMBER	RANK	QTY	DESCRIPTION	SERIAL NUMBER / REMARKS
R43 - 30	FB4-9817-030		2	ROLLER, PICK-UP	
31	FE5-4048-000		2	BLOCK, PICK-UP ROLLER ADAPTER	
32	FB4-5672-000		2	PAWL, LOCK	
33	FB6-1614-000		1	PLATE, GROUNDING	
34	FB6-1623-000		1	ARM, FEED SENSOR	
35	FB6-1624-000		1	SPRING, TORSION	
36	FS6-2919-000		2	SPRING, TENSION	
37	RB1-6179-000		2	BUSHING, RIGHT	
38	FB6-1907-000		1	LEVER, RELEASE	
39	FB6-1908-000		1	CAP	
40	FS1-9009-000		1	SCREW, STEPPED, M3	
41	RB2-3320-000		1	LIMITER, TORQUE	
42	FB6-1902-000		1	SPRING, TORSION	
43	FF6-1610-000		1	HOLDER, SEPARATION ROLLER	
44	FB4-5671-000		1	MOUNT, ROLLER	
45	FB6-1629-000		1	PANEL, VERTICAL PATH	
46	FB6-1920-000		2	SPRING, COMPRESSION	
47	RB1-8922-000		2	ROLLER	
48	FB6-1996-000		2	ROLLER, VERTICAL PATH	
49	FB6-1997-000		4	SPRING, COMPRESSION	
50	FB6-1903-000		1	SUPPORT, MOTOR	
51	RH7-1359-000		1	MOTOR, STEPPING, DC9.5W	M104 J806
501	XB4-7400-809		3	SCREW, TAPPING, TRUSS HEAD, M4X8	
502	XB6-7300-609		6	SCREW, TP, M3X6	
503	XD2-1100-502		5	RING, E	
504	XD2-1100-242		1	RING, E	
505	XD3-1200-122		2	PIN, SPRING	
506	XB1-2400-607		2	SCREW, MACH., TRUSS HEAD, M4X6	
507	XD1-1106-235		8	SHIM	
508	XB2-7300-607		2	SCREW, W/WASHER, M3X6	

FIGURE & KEY NO.	PART NUMBER	R A N K	Q' T Y	DESCRIPTION	SERIAL NUMBER / REMARKS
R43 - 510	XB4-7401-005		3	SCREW,TAPPING,TRUSS HEAD,M4X10	

FIGURE RB1 LIST OF CONNECTORS (F1 TYPE)

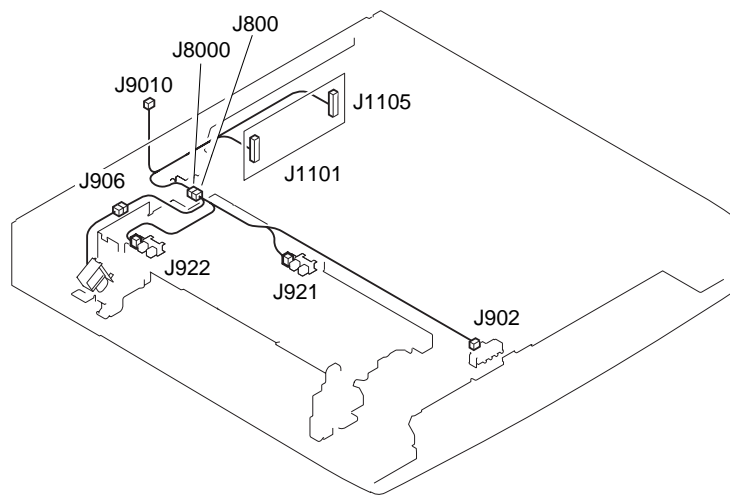


FIGURE & KEY NO.	PART NUMBER	RANK	QTY	DESCRIPTION	SERIAL NUMBER / REMARKS
R B1 -	NPN		RF	LIST OF CONNECTORS	F1 TYPE
J800	VS1-0842-013		1	CONNECTOR, 13P, FEMALE	
J902	NPN			PAPER SIZE SENSOR	SW105
	VS1-0842-005		1	CONNECTOR, 5P, FEMALE	
J906	NPN			CASSETTE PICK-UP SOLENOID	SL151
	VS1-0842-002		1	CONNECTOR, 2P, FEMALE	
	VS1-5057-002		1	CONNECTOR, SNAP TIGHT	
J921	NPN			CASSETTE PAPER SENSOR	PS151
	VS1-0842-003		1	CONNECTOR, 3P, FEMALE	
J922	NPN			RETRY SENSOR	PS152
	VS1-0842-003		1	CONNECTOR, 3P, FEMALE	
J1101	PCB			FEEDER DRIVER	
	VS1-0842-013		1	CONNECTOR, 13P, FEMALE	
J1105	PCB			FEEDER DRIVER	
	VS1-0842-011		1	CONNECTOR, 11P, FEMALE	
J8000	VS1-0842-013		1	CONNECTOR, 13P, FEMALE	
	VS1-5057-013		1	CONNECTOR, SNAP TIGHT	
J9010	SYS			TO COPIER	
	VS1-0842-011		1	CONNECTOR, 11P, FEMALE	
	VS1-5057-011		1	CONNECTOR, SNAP TIGHT	

FIGURE RB2 LIST OF CONNECTORS (G1 TYPE)

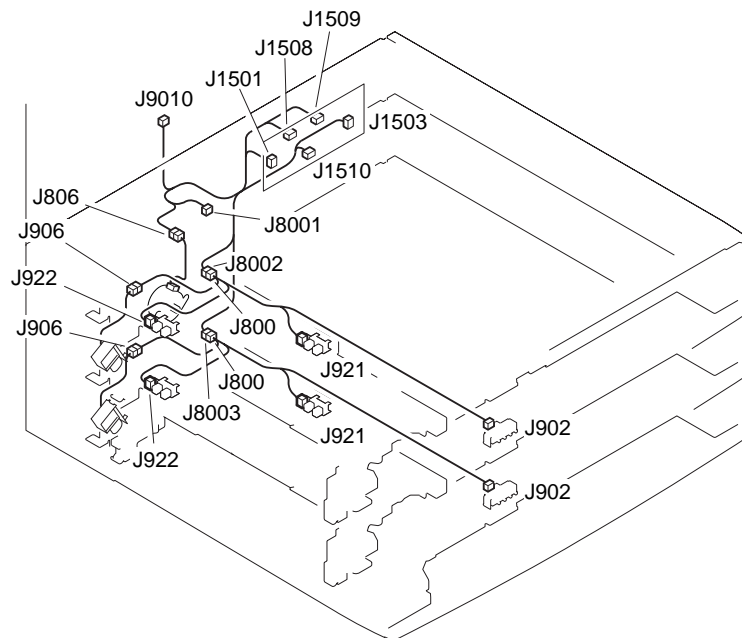


FIGURE & KEY NO.	PART NUMBER	RANK	QTY	DESCRIPTION	SERIAL NUMBER / REMARKS
R B2 -	NPN		RF	LIST OF CONNECTORS	G1 TYPE
J800	VS1-0842-013		2	CONNECTOR, 13P, FEMALE	
J806	NPN			PAPER PICK-UP MOTOR	M104
	VS1-5452-004		1	CONNECTOR, 4P, FEMALE	
	VS1-5820-004		1	CONNECTOR, SNAP TIGHT	
J902	NPN			PAPER SIZE SENSOR	SW105
	VS1-0842-005		2	CONNECTOR, 5P, FEMALE	
J906	NPN			CASSETTE PICK-UP SOLENOID	SL151
	VS1-0842-002		2	CONNECTOR, 2P, FEMALE	
	VS1-5057-002		2	CONNECTOR, SNAP TIGHT	
J921	NPN			CASSETTE PAPER SENSOR	PS151
	VS1-0842-003		2	CONNECTOR, 3P, FEMALE	
J922	NPN			RETRY SENSOR	PS152
	VS1-0842-003		2	CONNECTOR, 3P, FEMALE	
J1501	PCB			FEEDER DRIVER	
J1503	PCB			FEEDER DRIVER	
	VS1-0842-011		1	CONNECTOR, 11P, FEMALE	
	VS1-5452-004		1	CONNECTOR, 4P, FEMALE	
J1508	PCB			FEEDER DRIVER	
	VS1-0842-013		1	CONNECTOR, 13P, FEMALE	
J1509	PCB			FEEDER DRIVER	
	VS1-0842-014		1	CONNECTOR, 14P, FEMALE	
J1510	PCB			FEEDER DRIVER	
	VS1-0842-015		1	CONNECTOR, 15P, FEMALE	
J8001	SYS			TO COPIER	
J8002	VS1-0842-013		1	CONNECTOR, 13P, FEMALE	
	VS1-5057-013		1	CONNECTOR, SNAP TIGHT	
	VS1-0842-013		1	CONNECTOR, 13P, FEMALE	
	VS1-5057-013		1	CONNECTOR, SNAP TIGHT	
J8003	VS1-0842-013		1	CONNECTOR, 13P, FEMALE	

FIGURE & KEY NO.	PART NUMBER	R A N K	Q' T Y	DESCRIPTION	SERIAL NUMBER / REMARKS
R B2 - J8003 J9010	VS1-5057-013		1	CONNECTOR, SNAP TIGHT TO COPIER	
	SYS				
	VS1-0842-011		1	CONNECTOR, 11P, FEMALE	
	VS1-5057-011		1	CONNECTOR, SNAP TIGHT	

FIGURE RB3 LIST OF CONNECTORS (H1 TYPE)

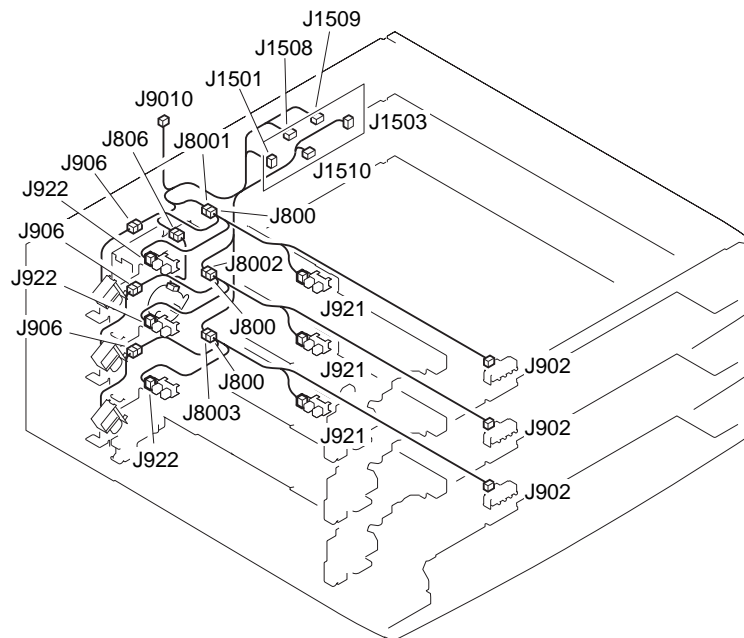


FIGURE & KEY NO.	PART NUMBER	RANK	QTY	DESCRIPTION	SERIAL NUMBER / REMARKS
R B3 -	NPN		RF	LIST OF CONNECTORS	H1 TYPE
J800	VS1-0842-013		3	CONNECTOR, 13P, FEMALE	
J806	NPN			PAPER PICK-UP MOTOR	M104
	VS1-5452-004		1	CONNECTOR, 4P, FEMALE	
	VS1-5820-004		1	CONNECTOR, SNAP TIGHT	
J902	NPN			PAPER SIZE SENSOR	SW105
	VS1-0842-005		3	CONNECTOR, 5P, FEMALE	
J906	NPN			CASSETTE PICK-UP SOLENOID	SL151
	VS1-0842-002		3	CONNECTOR, 2P, FEMALE	
	VS1-5057-002		3	CONNECTOR, SNAP TIGHT	
J921	NPN			CASSETTE PAPER SENSOR	PS151
	VS1-0842-003		3	CONNECTOR, 3P, FEMALE	
J922	NPN			RETRY SENSOR	PS152
	VS1-0842-003		3	CONNECTOR, 3P, FEMALE	
J1501	PCB			FEEDER DRIVER	
J1503	PCB			FEEDER DRIVER	
	VS1-0842-011		1	CONNECTOR, 11P, FEMALE	
	VS1-5452-004		1	CONNECTOR, 4P, FEMALE	
J1508	PCB			FEEDER DRIVER	
	VS1-0842-013		1	CONNECTOR, 13P, FEMALE	
J1509	PCB			FEEDER DRIVER	
	VS1-0842-014		1	CONNECTOR, 14P, FEMALE	
J1510	PCB			FEEDER DRIVER	
	VS1-0842-015		1	CONNECTOR, 15P, FEMALE	
J8001	VS1-0842-013		1	CONNECTOR, 13P, FEMALE	
J8002	VS1-5057-013		1	CONNECTOR, SNAP TIGHT	
	VS1-0842-013		1	CONNECTOR, 13P, FEMALE	
	VS1-5057-013		1	CONNECTOR, SNAP TIGHT	
J8003	VS1-0842-013		1	CONNECTOR, 13P, FEMALE	
	VS1-5057-013		1	CONNECTOR, SNAP TIGHT	

FIGURE & KEY NO.	PART NUMBER	R A N K	Q' T Y	DESCRIPTION	SERIAL NUMBER / REMARKS
R B3 - J9010	SYS			TO COPIER	
	VS1-0842-011		1	CONNECTOR, 11P, FEMALE	
	VS1-5057-011		1	CONNECTOR, SNAP TIGHT	

Inner 2-way Tray-B1

[F26 - 0501 XGP00001 -]
[F26 - 0501 XHF00001 -]

CONTENTS

– Inner 2-way Tray-B1 –

QA. ASSEMBLY LOCATION DIAGRAM

Q01. MOUNTING HARDWARE

Q30. DELIVERY ASSEMBLY

QB. LIST OF CONNECTORS

D3. NUMERICAL INDEX
(Inner 2-way Tray-B1)

FIGURE QA ASSEMBLY LOCATION DIAGRAM

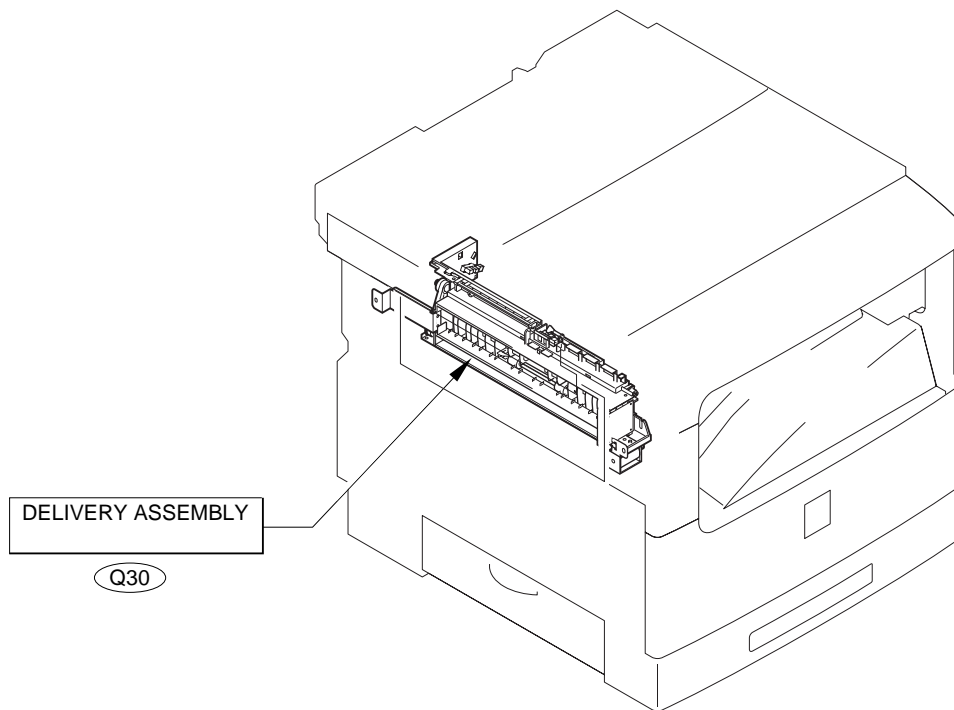


FIGURE Q01 MOUNTING HARDWARE

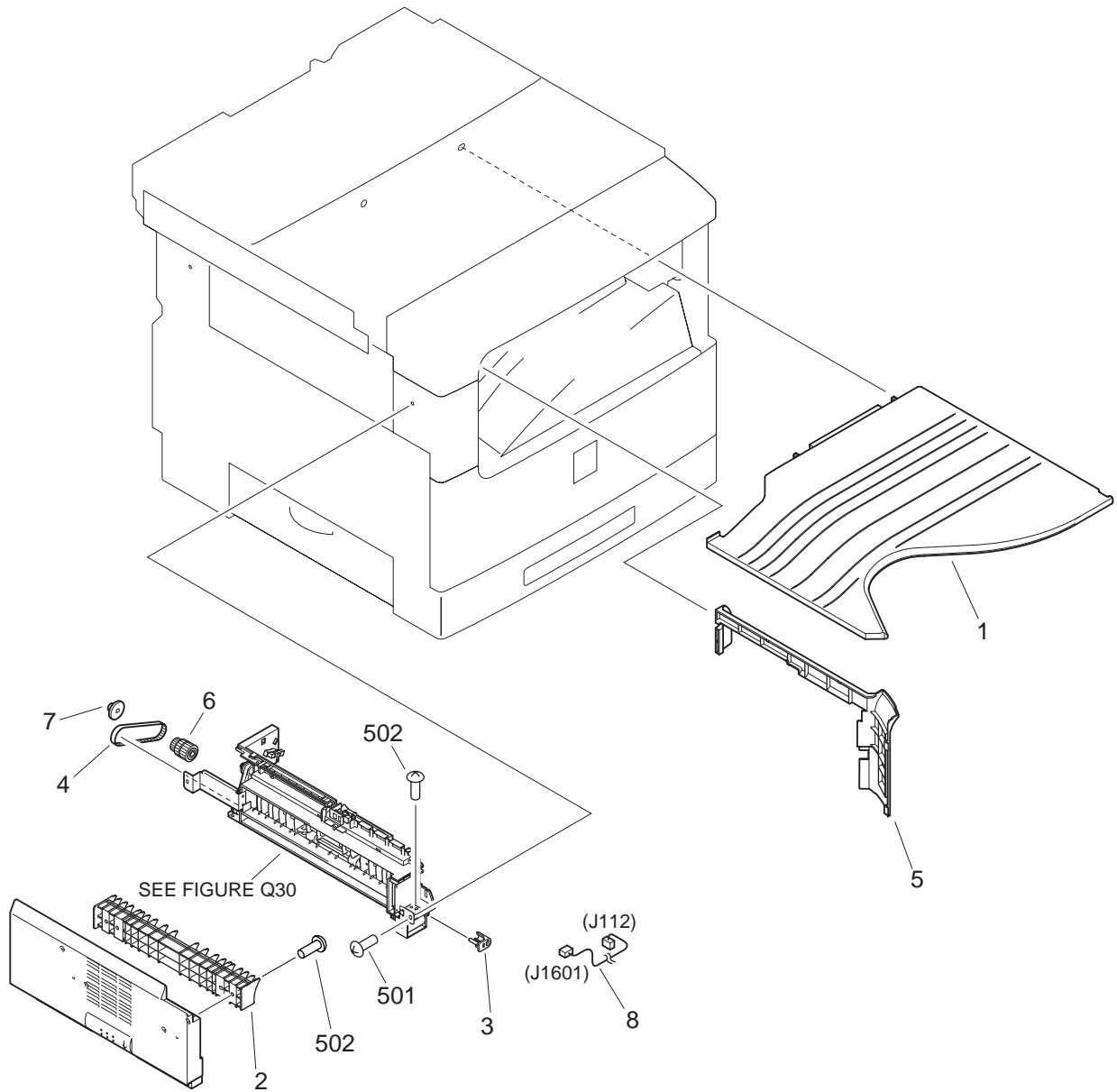


FIGURE & KEY NO.	PART NUMBER	RANK	QTY	DESCRIPTION	SERIAL NUMBER / REMARKS
Q01 -	NPN		RF	MOUNTING HARDWARE	
1	FB6-2450-000		1	TRAY, DELIVERY	
2	FB6-2451-000		1	GUIDE, DELIVERY, LEFT	
3	FB6-2454-000		1	PIN, SOLENOID	
4	FB6-2456-000		1	BELT, DRIVE	
5	FB6-2462-000		1	COVER, DELIVERY, UPPER	
6	FB6-2466-000		1	GEAR, 15T/PULLEY, 22T	
7	FS5-6932-000		1	FLANGE	
8	FG6-8489-000		1	CABLE, INNER 2WAY	J112,1601
501	XB2-7300-607		2	SCREW,W/WASHER,M3X6	
502	XB4-7400-809		4	SCREW,TAPPING,TRUSS HEAD,M4X8	

FIGURE Q30 DELIVERY ASSEMBLY

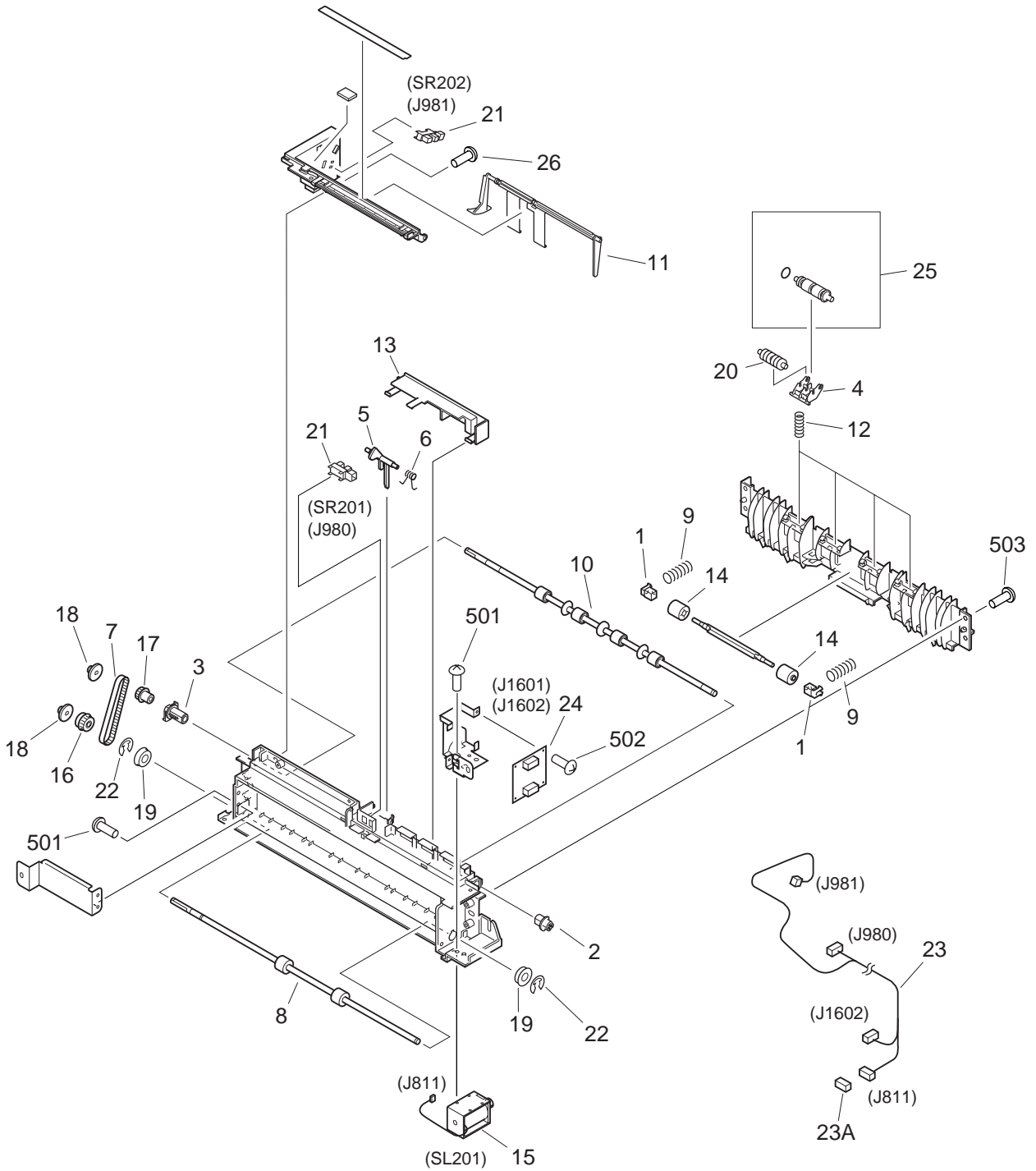


FIGURE & KEY NO.	PART NUMBER	R A N K	Q' T Y	DESCRIPTION	SERIAL NUMBER / REMARKS
Q30 -	NPN		RF	DELIVERY ASSEMBLY	
1	FB4-9814-000		2	HOLDER, ROLLER	
2	FB5-8126-000		1	BUSHING	
3	FB5-8129-000		1	BUSHING	
4	FB6-1494-000		4	HOLDER, DELIVERY ROLLER	
5	FB6-2452-000		1	FLAG, DELIVERY SENSOR	
6	FB6-2453-000		1	SPRING, TORSION	
7	FB6-2455-000		1	BELT, DRIVE	
8	FB6-2457-000		1	ROLLER, FEED	
9	FB6-2458-000		2	SPRING, COMPRESSION	
10	FB6-2461-000		1	ROLLER, DELIVERY	
11	FB6-2463-000		1	FLAG, SENSOR	
12	FB6-2464-000		4	SPRING, COMPRESSION	
13	FB6-2465-000		1	COVER, DELIVERY SENSOR	
14	FB6-2468-000		2	ROLLER	
15	FH7-5779-000		1	SOLENOID	SL201 J811
16	FS5-3977-000		1	PULLEY, 26T	
17	FS5-3978-000		1	PULLEY, 22T	
18	FS5-6932-000		2	FLANGE	
19	FS6-1045-000		2	BUSHING	
20	FB6-1537-000		4	ROLLER	
21	WG8-5362-000		2	IC, TLP1241, PHOTO-INTERRUPTER	SR201,202 J980,981
22	XD9-0192-000		2	RING, E	
23	FG6-8490-000		1	CABLE, INNER 2WAY SENSOR	J811,980,981,1602
23A	VS1-5057-002		1	CONNECTOR, SNAP TIGHT	J811
24	FG6-8667-000		1	TRAY DRIVER PCB ASSEMBLY	J1601,1602
25	FG6-8271-000		4	ROLLER, DELIVERY	
26	XA9-0591-000		1	SCREW,M3X8	
501	XB1-2300-609		3	SCREW,MACH.,TRUSS HEAD,M3X6	
502	XB2-8300-807		2	SCREW,W/WASHER,M3X8	

FIGURE & KEY NO.	PART NUMBER	R A N K	Q' T Y	DESCRIPTION	SERIAL NUMBER / REMARKS
Q30 - 503	XB4-5401-007		4	SCREW,P,M4X10	

FIGURE QB LIST OF CONNECTORS

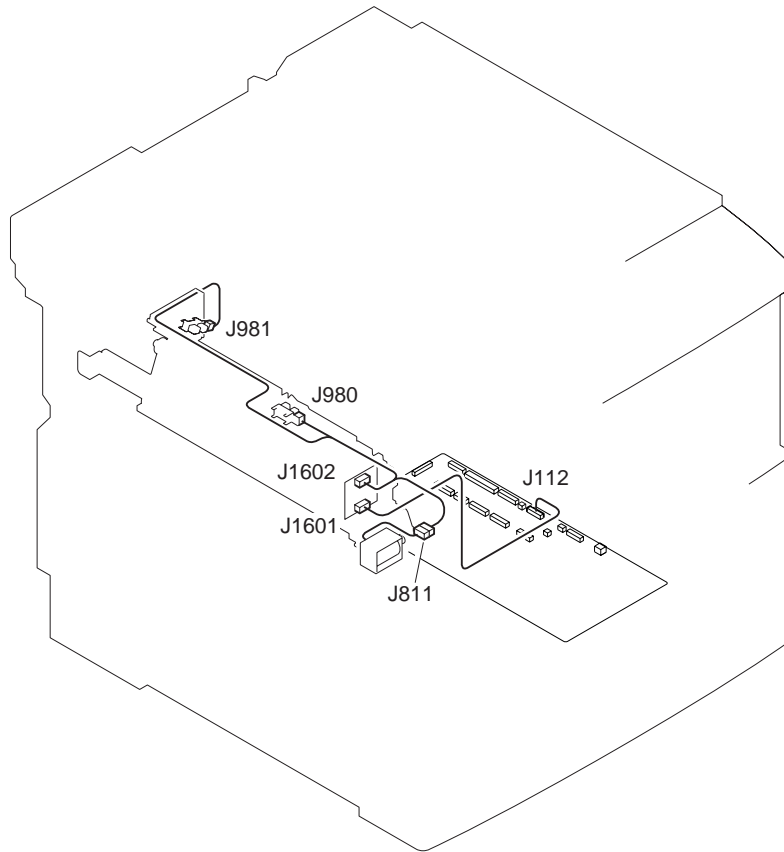


FIGURE & KEY NO.	PART NUMBER	R A N K	Q' T Y	DESCRIPTION	SERIAL NUMBER / REMARKS
Q B -	NPN		RF	LIST OF CONNECTORS	
J112	SYS			COPIER	
	VS1-6225-011		1	CONNECTOR, 11P, FEMALE	
J811	NPN			SOLENOID	SL101
	VS1-0842-002		1	CONNECTOR, 2P, FEMALE	
	VS1-5057-002		1	CONNECTOR, SNAP TIGHT	
J980	NPN			FULL SENSOR	SR201
	VS1-0842-003		1	CONNECTOR, 3P, FEMALE	
J981	NPN			DELIVERY SENSOR	SR202
	VS1-0842-003		1	CONNECTOR, 3P, FEMALE	
J1601	PCB			TRAY DRIVER	
	VS1-6225-011		1	CONNECTOR, 11P, FEMALE	
J1602	PCB			TRAY DRIVER	
	VS1-0842-008		1	CONNECTOR, 8P, FEMALE	

Printer Board-N1

Printer Board-N1

[For iR1600/2000 F61 - 9303]
[For iR1610F/2010F F61 - 9313]

Ethernet Network Interface Adapter iN-E5

[For iR1600/2000 F61 - 9315]
[For iR1610F/2010F F61 - 9335]

PS Module-B1

[F61 - 9302]

Hard Disk HD-65

[F61 - 8807]

Flash ROM Module FR-65

[F61 - 8806]

CONTENTS

- PRINTER BOARD-N1 -

UA. ASSEMBLY LOCATION DIAGRAM

U10. PS/PCL PRINTER BOARD ASSEMBLY

U11. NETWORK I/F BOARD ASSEMBLY

U12. OPTION ROM

U13. HARD DISK

D4. NUMERICAL INDEX
(PRINTER BOARD-N1)

FIGURE UA ASSEMBLY LOCATION DIAGRAM

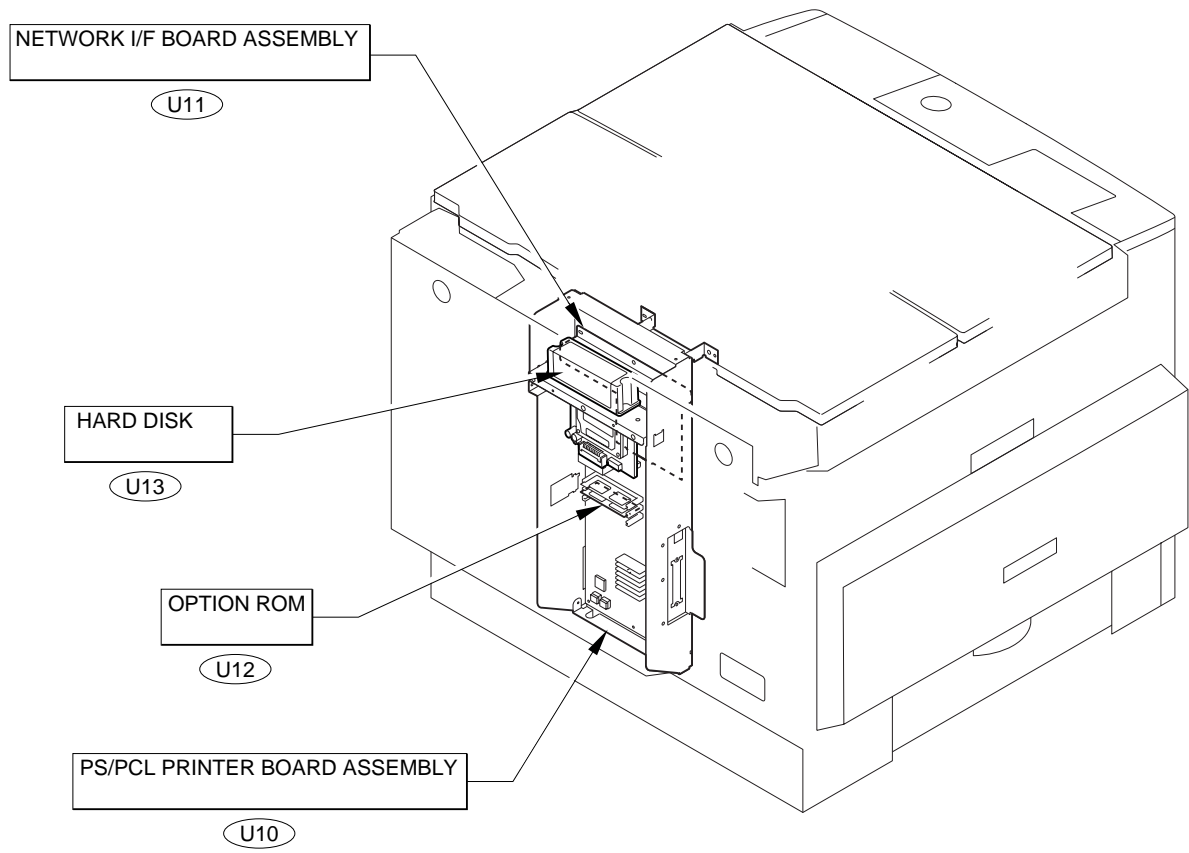


FIGURE U10 PS/PCL PRINTER BOARD ASSEMBLY

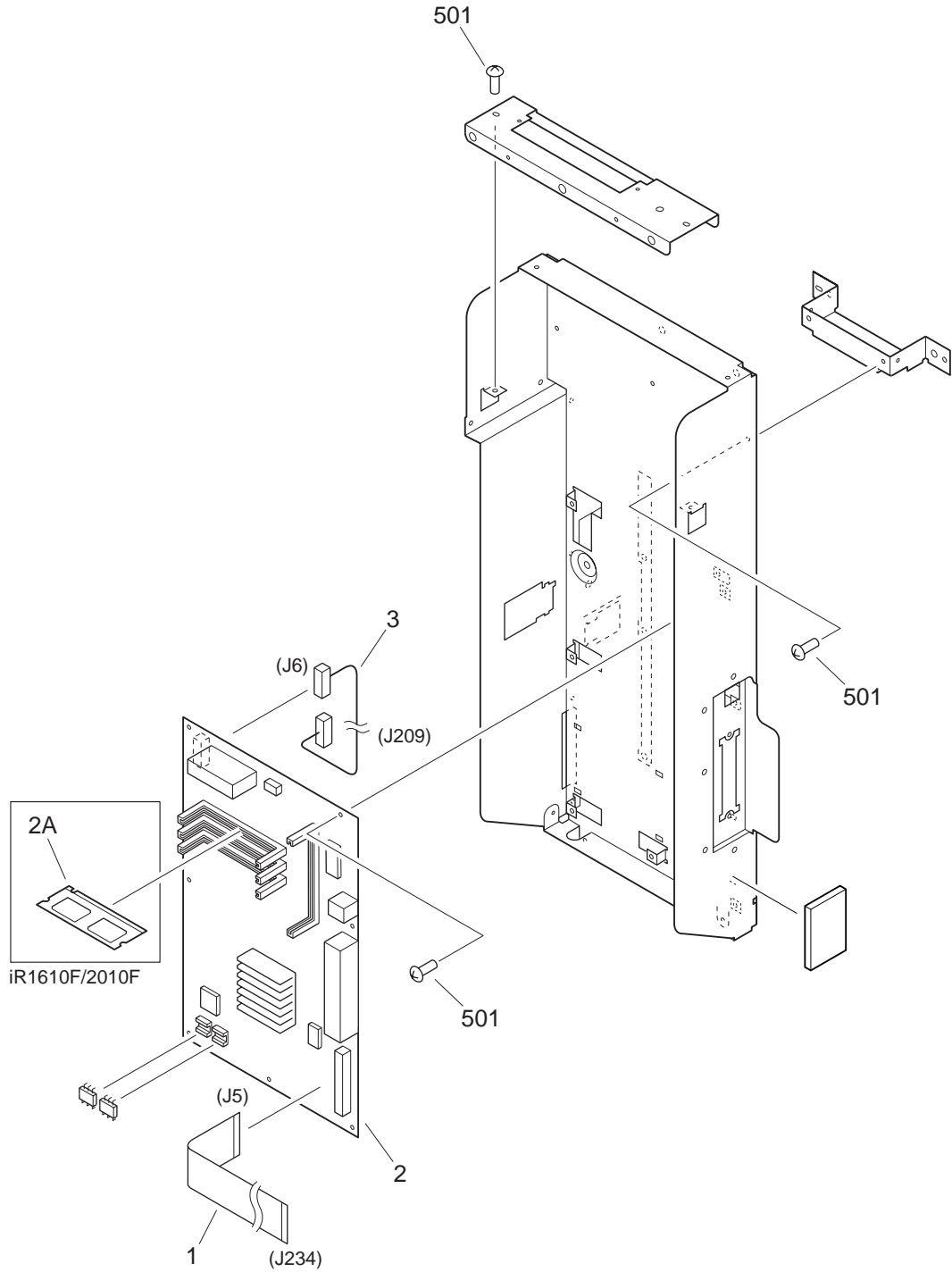


FIGURE & KEY NO.	PART NUMBER	RANK	QTY	DESCRIPTION	SERIAL NUMBER / REMARKS
U10 -	NPN		RF	PS/PCL PRINTER BOARD ASSEMBLY	
1	FH2-6946-000		1	CABLE, FLAT	J5,234
2	FG3-2701-000		1	PS/PCL PRINTER BOARD PCB ASS'Y	IR1600/2000
	FG3-3073-000		1	PS/PCL PRINTER BOARD PCB ASS'Y	IR1610F/2010F
2A	FG3-3056-000		1	DIMM ASS'Y	IR1610F/2010F
3	FG6-8892-000		1	CABLE, PCL-IP	J6,209
501	XB1-2300-607		AR	SCREW,MACH.,TRUSS HEAD,M3X6	
IC12	FH4-3913-000		1	IC, MR27V3255D, PP-ROM	IR1600/2000
	FH4-3929-000		1	IC, MX23L3222MC-10, MASK-ROM	IR1610F/2010F
IC13	FH4-3914-000		1	IC, MR27V3255D, PP-ROM	IR1600/2000
	FH4-3930-000		1	IC, MX23L3222MC-10, MASK-ROM	IR1610F/2010F

FIGURE U11 NETWORK I/F BOARD ASSEMBLY

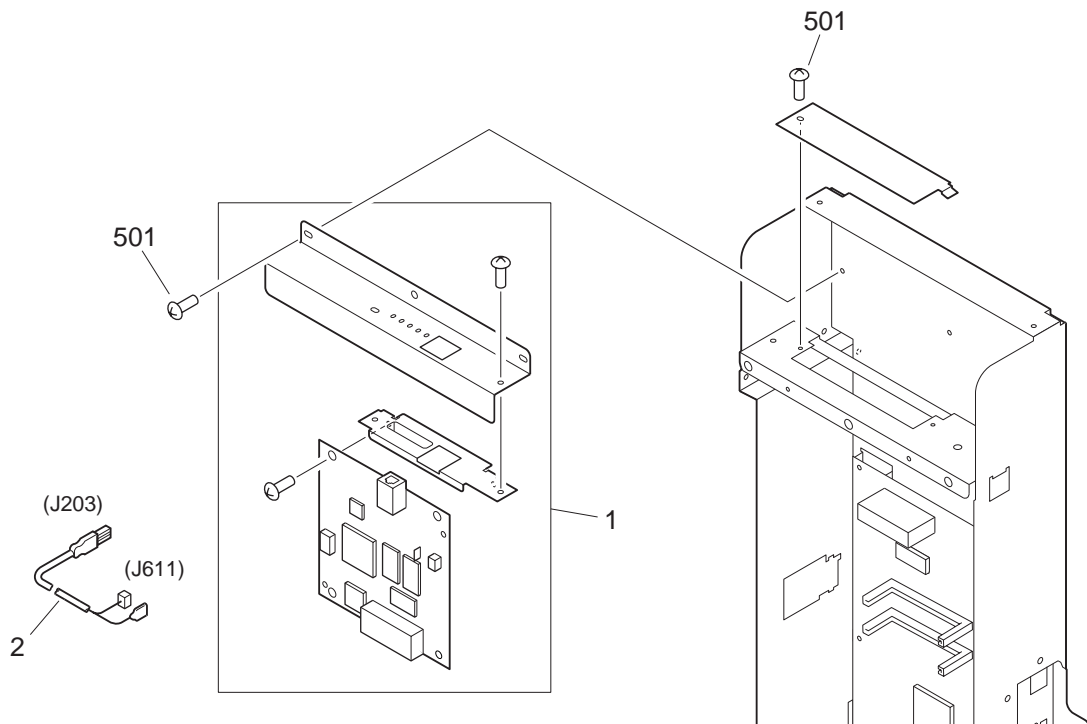


FIGURE & KEY NO.	PART NUMBER	RANK	QTY	DESCRIPTION	SERIAL NUMBER / REMARKS
U11 -	NPN		RF	NETWORK I/F BOARD ASSEMBLY	
1	FG6-8372-000		1	NETWORK I/F BOARD PCB ASSEMBLY	IR1600/2000
	FG6-8320-000		1	NETWORK I/F BOARD PCB ASSEMBLY	IR1610F/2010F
2	FH2-6947-000		1	CABLE, USB	J203,611
501	XB1-2300-607		5	SCREW,MACH.,TRUSS HEAD,M3X6	

FIGURE U12 OPTION ROM

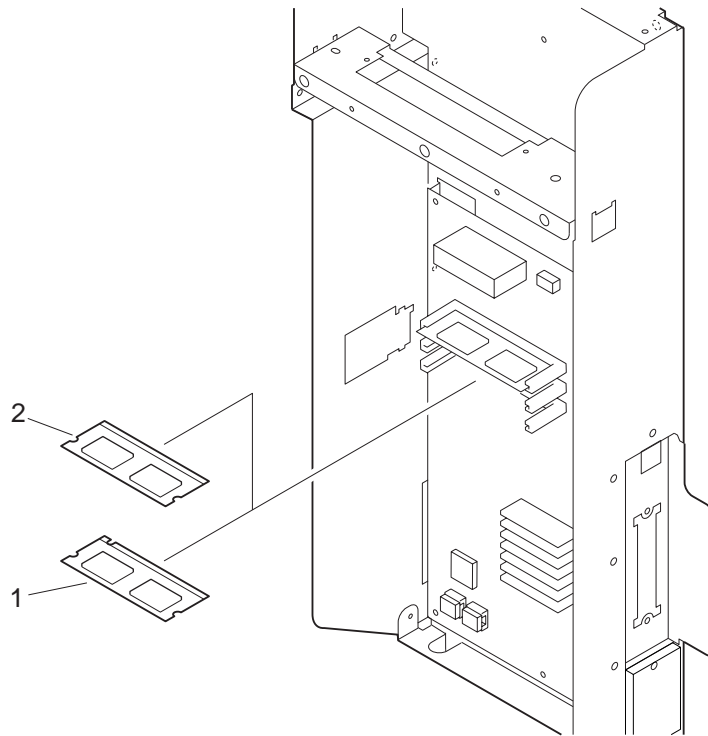


FIGURE & KEY NO.	PART NUMBER	RANK	QTY	DESCRIPTION	SERIAL NUMBER / REMARKS
U12 -	NPN		RF	OPTION ROM	
1	FG3-2296-000		1	DIMM ASSEMBLY	
2	FG3-1918-000	N	1	FLASH-ROM DIMM ASS'Y FR-65	

FIGURE U13 HARD DISK

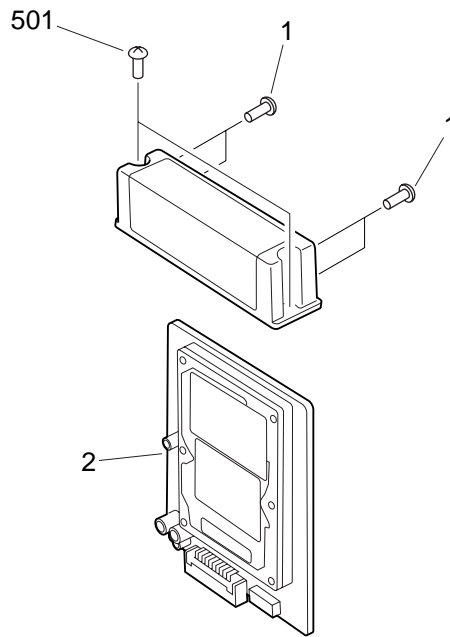


FIGURE & KEY NO.	PART NUMBER	RANK	QTY	DESCRIPTION	SERIAL NUMBER / REMARKS
U13 -	NPN		RF	HARD DISK	
1	XA9-1223-000		4	SCREW, TP, M3X6	
2	FG3-2162-000		1	HARD DISK DRIVE UNIT	
501	XB1-1300-807		2	SCREW, MACH., PAN HEAD, M3X8	

Super G3 FAX Expansion Kit - B1

For iR1610F/2010F
〔 F61 - 9347 〕

CONTENTS

– Super G3 FAX Expansion Kit-B1 –

GA. ASSEMBLY LOCATION DIAGRAM

G11. FAX ASSEMBLY

D5. NUMERICAL INDEX
(Super G3 FAX Expansion Kit-B1)

FIGURE GA ASSEMBLY LOCATION DIAGRAM

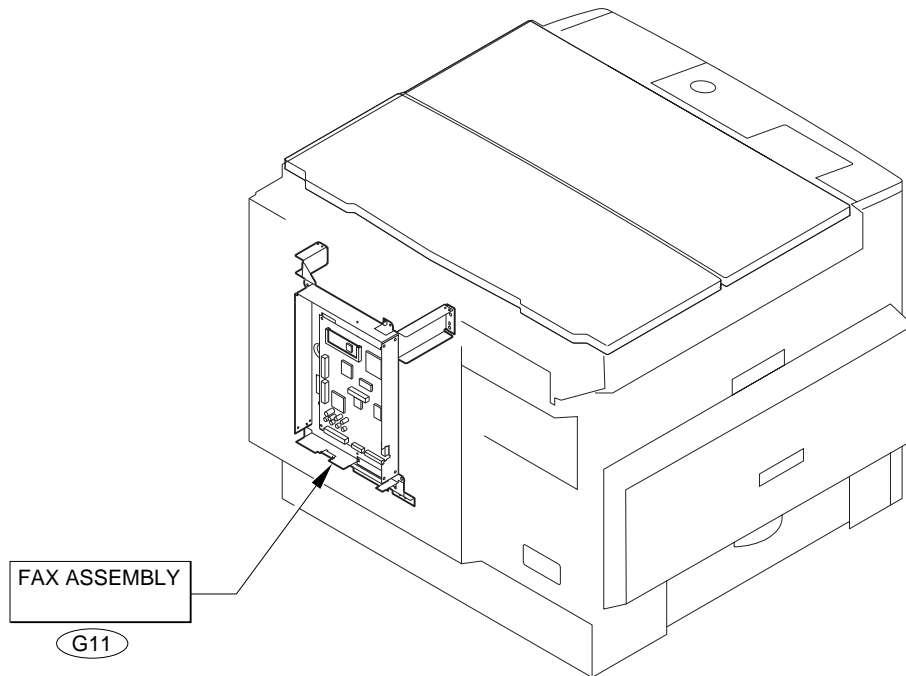
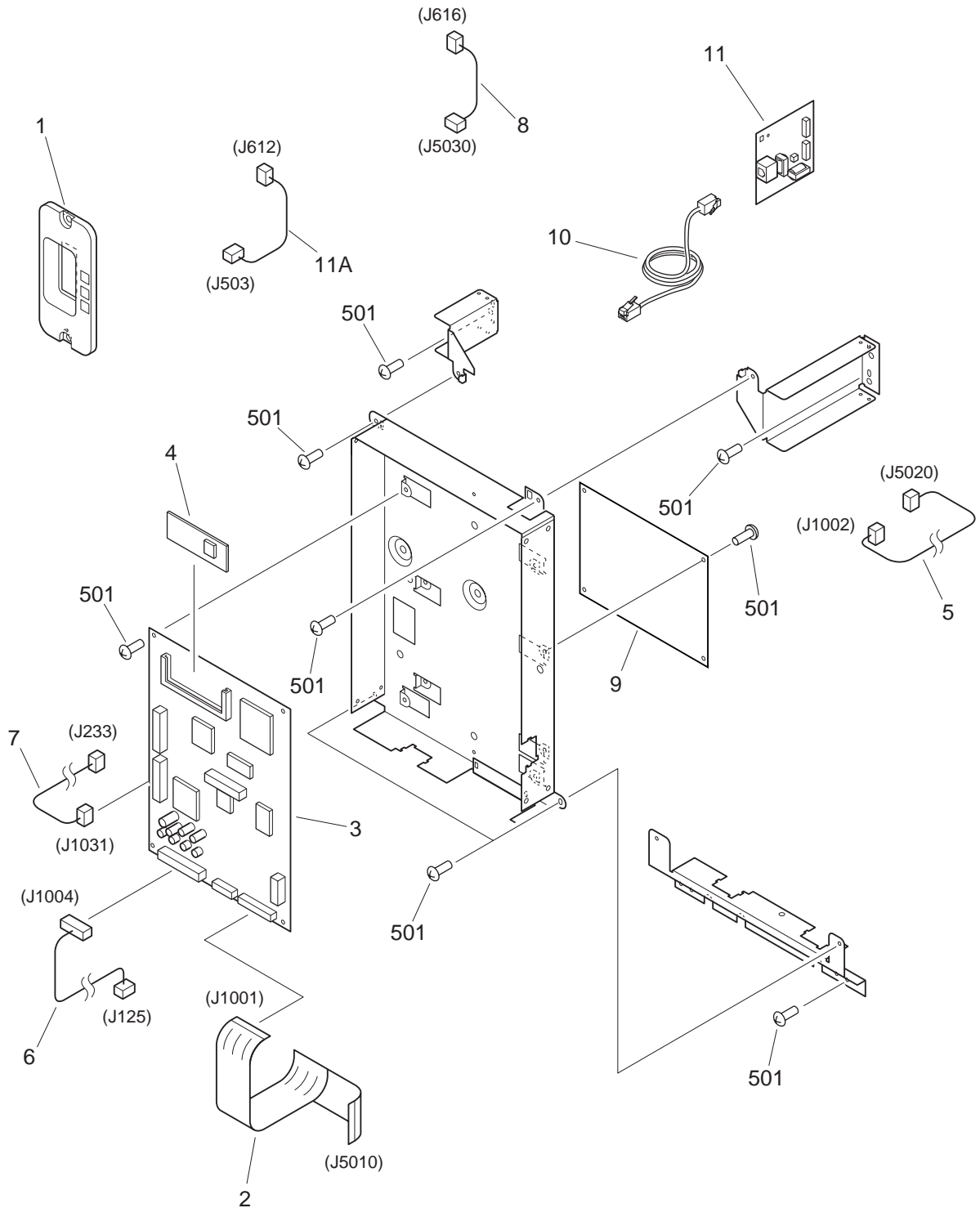


FIGURE G11 FAX ASSEMBLY



NOTE : This assembly does not include the part shown with key No. 11.

FIGURE & KEY NO.	PART NUMBER	R A N K	Q' T Y	DESCRIPTION	SERIAL NUMBER / REMARKS
G11 -	NPN		RF	FAX ASSEMBLY	IR1610F/2010F
1	FB6-1395-000		1	COVER, MODULAR JACK	
2	FH2-6944-000		1	CABLE, FLAT	J1,102
3	FG3-1587-000		1	G3 FAX CONTROL PCB ASSEMBLY	
4	FG3-2673-000		1	DIMM ASS'Y	
5	FG6-8465-000		1	CABLE, NCU	J2,101
6	FG6-8469-000		1	CABLE, G3-POWER, DIGITAL	J104,CN5
7	FG6-8472-000		1	CABLE, IP-G3/G4	J31,33
8	FG6-9617-000		1	CABLE, MODULAR JACK	J3,6
9	HG1-4365-000		1	NCU PCB ASSEMBLY	
10	HH2-2830-000		1	CORD, MODULAR	J2,3
11	FG6-9451-000		1	MODULAR JACK PCB ASSEMBLY	IR1610F SSH/QFD/SEJ IR1610F TET/UJS IR2010F SSK/QFF/SEK IR2010F TEU/UJT SEE NOTE
	FG6-9452-000		1	MODULAR JACK PCB ASSEMBLY	IR1610F SSJ/RRF/RFQ IR1610F RRK
					IR2010F SSL/RRG/RFR IR2010F RRL SEE NOTE
501	FG6-9453-000		1	MODULAR JACK PCB ASSEMBLY	IR1610F/2010F 120V
	XB1-2300-607		AR	SCREW,MACH.,TRUSS HEAD,M3X6	

D1 NUMERICAL INDEX (iR1600/2000/1610F/2010F)

PART NUMBER	FIGURE & KEY NO.	PART NUMBER	FIGURE & KEY NO.	PART NUMBER	FIGURE & KEY NO.
FA4-1159-000	104 - 1	FB5-9509-000	162 - 11A	FB6-1502-000	810 - 37
FA5-5499-000	161 - 6	FB6-1236-000	210 - 7B	FB6-1504-000	103 - 3
FB1-7157-000	100 - 6	FB6-1237-000	210 - 7B	FB6-1505-000	810 - 30
FB3-2224-000	100 - 1	FB6-1238-000	210 - 7B	FB6-1507-000	810 - 31
FB4-2007-000	104 - 11	FB6-1239-000	210 - 7A	FB6-1511-000	810 - 33
FB4-3098-000	810 - 19	FB6-1240-000	210 - 7A	FB6-1514-000	810 - 51
FB4-5502-000	100 - 26	FB6-1241-000	210 - 7A	FB6-1515-000	810 - 52
FB4-5512-030	310 - 5	FB6-1244-000	100 - 2	FB6-1517-000	810 - 5
FB4-5532-000	310 - 6	FB6-1252-000	103 - 21	FB6-1536-000	311 - 47
FB4-5584-000	100 - 23	FB6-1264-000	100 - 4	FB6-1537-000	810 - 10
FB4-5669-000	311 - 29	FB6-1265-000	100 - 5	FB6-1541-000	311 - 26
FB4-5671-000	311 - 44	FB6-1278-000	160 - 3	FB6-1542-000	810 - 6
FB4-5672-000	311 - 32	FB6-1279-000	102 - 35A	FB6-1546-000	810 - 25A
	810 - 20	FB6-1280-000	102 - 35B	FB6-1547-000	100 - 14
FB4-5673-000	810 - 21	FB6-1281-000	102 - 35C	FB6-1548-000	810 - 53
FB4-5808-000	300 - 11A	FB6-1303-000	103 - 1	FB6-1549-000	810 - 44
FB4-5809-020	300 - 10A	FB6-1304-000	103 - 7	FB6-1550-000	311 - 16
FB4-5810-000	300 - 10C	FB6-1305-000	210 - 1	FB6-1551-000	311 - 36
FB4-5813-000	300 - 10B	FB6-1309-000	100 - 7	FB6-1605-000	310 - 1
FB4-5814-000	300 - 6	FB6-1313-000	210 - 16	FB6-1606-000	105 - 1
FB4-5824-000	300 - 11B	FB6-1316-000	210 - 17	FB6-1607-000	100 - 15
FB4-6728-000	100 - 29	FB6-1320-000	210 - 14		100 - 15
FB4-9817-030	311 - 30	FB6-1321-000	210 - 15	FB6-1608-000	310 - 7
FB5-7940-000	640 - 22	FB6-1323-000	210 - 23A	FB6-1613-000	311 - 28
FB5-7941-000	640 - 23	FB6-1324-000	210 - 2	FB6-1614-000	311 - 33
FB5-8013-000	101 - 1	FB6-1325-000	210 - 3	FB6-1615-000	311 - 1
FB5-8019-000	101 - 2	FB6-1326-000	103 - 8	FB6-1616-000	311 - 2
FB5-8020-000	101 - 3	FB6-1327-000	103 - 9	FB6-1623-000	311 - 34
FB5-8027-000	312 - 2	FB6-1328-000	103 - 10	FB6-1624-000	311 - 35
FB5-8028-000	104 - 12	FB6-1329-000	210 - 4		810 - 38
FB5-8032-020	104 - 2	FB6-1331-000	160 - 1	FB6-1625-000	310 - 2
FB5-8036-000	315 - 1	FB6-1332-000	160 - 2	FB6-1626-000	311 - 3
FB5-8037-000	315 - 2	FB6-1339-000	210 - 18	FB6-1627-000	311 - 4
FB5-8038-000	315 - 3	FB6-1340-000	210 - 5	FB6-1628-000	311 - 5
FB5-8039-000	315 - 4	FB6-1350-000	103 - 2	FB6-1629-000	311 - 45
FB5-8040-000	312 - 3	FB6-1352-000	100 - 9	FB6-1632-000	311 - 6
FB5-8047-000	104 - 13	FB6-1353-000	100 - 10	FB6-1633-000	311 - 7
FB5-8122-020	810 - 42	FB6-1357-000	210 - 12	FB6-1634-000	311 - 8
FB5-8123-020	810 - 43	FB6-1358-000	210 - 13	FB6-1636-000	311 - 9
FB5-8126-000	810 - 22	FB6-1364-000	104 - 15	FB6-1640-000	300 - 7
FB5-8129-000	810 - 23	FB6-1368-000	104 - 16	FB6-1644-000	300 - 8
FB5-8130-000	810 - 46	FB6-1372-000	104 - 17	FB6-1646-000	300 - 10D
FB5-8132-010	810 - 55	FB6-1380-000	102 - 2	FB6-1648-000	300 - 17
FB5-8143-000	810 - 16	FB6-1382-000	102 - 3	FB6-1649-000	300 - 10E
FB5-8149-000	810 - 48	FB6-1383-000	104 - 18	FB6-1654-000	300 - 12
FB5-8158-000	104 - 31	FB6-1384-000	104 - 19		300 - 12
FB5-8166-000	312 - 4	FB6-1386-000	100 - 12	FB6-1656-000	300 - 15
FB5-8167-000	312 - 5	FB6-1387-000	102 - 4		300 - 15
FB5-9380-000	161 - 29	FB6-1388-000	104 - 20	FB6-1657-000	300 - 13
FB5-9381-000	161 - 30	FB6-1392-000	810 - 45	FB6-1658-000	300 - 14
FB5-9399-000	161 - 21	FB6-1395-000	100 - 28	FB6-1659-000	300 - 16
FB5-9400-000	161 - 22	FB6-1396-000	100 - 28		300 - 16
FB5-9401-000	161 - 23	FB6-1421-000	101 - 4	FB6-1660-000	311 - 10
FB5-9402-000	161 - 24	FB6-1422-000	101 - 5	FB6-1669-000	102 - 16
FB5-9410-000	161 - 31	FB6-1425-000	101 - 6	FB6-1671-000	103 - 4
FB5-9414-000	162 - 10A	FB6-1426-000	101 - 7	FB6-1672-000	100 - 16
FB5-9418-000	162 - 1	FB6-1427-000	101 - 8	FB6-1673-000	100 - 17
FB5-9420-000	162 - 2	FB6-1429-000	101 - 9	FB6-1692-000	100 - 18
FB5-9423-020	162 - 3	FB6-1430-000	312 - 7	FB6-1693-000	100 - 19
FB5-9424-020	162 - 4	FB6-1431-000	315 - 5	FB6-1694-000	100 - 20
FB5-9427-000	162 - 5	FB6-1432-000	104 - 3	FB6-1695-000	100 - 21
FB5-9428-000	162 - 6	FB6-1433-000	260 - 12	FB6-1700-000	102 - 17
FB5-9434-000	163 - 1	FB6-1444-000	101 - 10	FB6-1902-000	311 - 42
FB5-9435-000	163 - 2	FB6-1446-000	104 - 5	FB6-1905-000	311 - 11
FB5-9436-000	163 - 3	FB6-1447-000	102 - 5	FB6-1906-000	105 - 2
FB5-9438-000	163 - 4	FB6-1448-000	102 - 6	FB6-1907-000	311 - 38
FB5-9439-000	163 - 5	FB6-1450-000	102 - 7	FB6-1908-000	311 - 39
FB5-9440-000	163 - 6	FB6-1451-000	101 - 11	FB6-1909-000	311 - 12
FB5-9441-000	163 - 7	FB6-1452-000	101 - 12	FB6-1910-000	310 - 10A
FB5-9442-000	163 - 12	FB6-1457-000	104 - 21	FB6-1912-000	105 - 3
FB5-9443-000	163 - 8	FB6-1458-000	104 - 22	FB6-1913-000	105 - 4
FB5-9449-000	163 - 9	FB6-1459-000	104 - 23	FB6-1917-000	310 - 8
FB5-9462-000	164 - 7	FB6-1460-000	102 - 8	FB6-1920-000	311 - 46
FB5-9465-000	164 - 9	FB6-1461-000	101 - 18	FB6-1936-000	312 - 9
FB5-9467-000	164 - 11	FB6-1462-000	315 - 10	FB6-1941-000	100 - 22
FB5-9470-000	164 - 14	FB6-1466-000	312 - 6	FB6-1944-000	100 - 22
FB5-9473-000	164 - 17	FB6-1486-000	810 - 36	FB6-1951-000	100 - 22
FB5-9477-000	164 - 20	FB6-1487-000	810 - 24	FB6-1952-000	100 - 22
FB5-9480-000	164 - 21	FB6-1488-000	810 - 27	FB6-1955-000	100 - 22
FB5-9482-000	164 - 32	FB6-1489-000	810 - 28	FB6-1956-000	100 - 22
FB5-9483-000	164 - 23	FB6-1491-000	810 - 1	FB6-1958-000	100 - 22
FB5-9485-000	164 - 42	FB6-1492-000	810 - 29	FB6-1971-000	315 - 9
FB5-9486-000	164 - 19	FB6-1493-000	810 - 2	FB6-1972-000	315 - 9
FB5-9507-000	162 - 18	FB6-1494-000	810 - 3	FB6-1973-000	315 - 9
FB5-9508-000	162 - 18	FB6-1498-000	810 - 4	FB6-1979-000	312 - 9

PART NUMBER	FIGURE & KEY NO.	PART NUMBER	FIGURE & KEY NO.	PART NUMBER	FIGURE & KEY NO.
FB6-1996-000	311 - 48	FB6-2214-000	101 - 18	FG3-2179-000	162 - 9
FB6-1997-000	311 - 49	FB6-2216-000	104 - 48	FG3-2180-000	161 - 26
FB6-1998-000	100 - 3	FB6-2624-000	162 - 17	FG3-2181-000	161 - 16
FB6-1999-000	810 - 7	FB6-2625-000	162 - 17	FG6-7127-000	104 - 10
FB6-2000-000	300 - 3	FB6-2626-000	162 - 17	FG6-8207-000	130 -
FB6-2008-000	640 - 1	FB6-2627-000	161 - 7	FG6-8208-000	130 -
FB6-2009-000	640 - 2	FB6-2628-000	161 - 12	FG6-8209-000	130 -
FB6-2012-000	640 - 19	FB6-2632-000	161 - 9	FG6-8210-000	130 -
FB6-2016-000	640 - 3	FB6-2633-000	161 - 10	FG6-8211-000	130 -
FB6-2017-000	640 - 4	FB6-2634-000	161 - 25	FG6-8212-000	130 -
FB6-2018-000	640 - 5	FB6-2635-000	161 - 17	FG6-8213-000	130 -
FB6-2019-000	640 - 6	FB6-2640-000	161 - 20	FG6-8214-000	130 -
FB6-2020-000	640 - 7	FB6-2642-000	164 - 1	FG6-8215-000	810 -
FB6-2021-000	640 - 8	FB6-2643-000	164 - 8	FG6-8259-000	210 - 21
FB6-2022-000	640 - 21	FB6-2644-000	164 - 12	FG6-8261-000	210 - 22
FB6-2024-000	640 - 9	FB6-2645-000	164 - 13	FG6-8266-000	160 -
FB6-2026-000	640 - 10	FB6-2646-000	164 - 22	FG6-8271-000	810 - 32
FB6-2028-000	640 - 11	FB6-2648-000	164 - 50A	FG6-8308-040	312 -
FB6-2034-000	640 - 12	FB6-2666-000	163 - 16	FG6-8309-000	315 -
FB6-2037-000	640 - 13	FB6-2667-000	163 - 17	FG6-8314-000	810 -
FB6-2039-000	640 - 20	FB6-2669-000	162 - 15	FG6-8359-000	210 - 23
FB6-2051-000	102 - 26	FB6-2670-000	162 - 16	FG6-8360-000	210 - 24
FB6-2053-000	102 - 9	FB6-2671-000	162 - 7	FG6-8384-000	103 - 13
FB6-2054-000	102 - 27	FB6-2673-000	161 - 8	FG6-8411-000	810 - 25
FB6-2055-000	102 - 28	FB6-2674-000	163 - 14B	FG6-8413-000	640 -
FB6-2056-000	102 - 29	FB6-2677-000	161 - 11	FG6-8414-000	640 - 18
FB6-2057-000	102 - 30	FB6-2698-000	164 - 39	FG6-8421-000	130 -
FB6-2060-000	104 - 4	FB6-2798-000	161 - 1	FG6-8440-000	310 - 10
FB6-2061-000	102 - 1	FB6-2799-000	161 - 1	FG6-8442-000	311 -
FB6-2062-000	102 - 10	FB6-2921-000	163 - 14A	FG6-8448-000	300 - 10
FB6-2064-000	102 - 22	FB6-4347-000	161 - 32	FG6-8449-000	300 - 11
FB6-2065-000	102 - 23	FB6-4348-000	161 - 32	FG6-8452-000	810 -
FB6-2066-000	102 - 24	FC3-0661-000	163 - 10	FG6-8455-000	106 - 4
FB6-2067-000	102 - 31		164 - 25	FG6-8457-000	106 - 6
FB6-2068-000	104 - 43		164 - 52	FG6-8458-000	210 - 25
FB6-2069-000	104 - 44	FC3-0662-000	163 - 11	FG6-8459-000	103 - 15
FB6-2070-000	104 - 45		164 - 26	FG6-8460-000	103 - 16
FB6-2071-000	102 - 25		164 - 58	FG6-8461-000	103 - 17
FB6-2072-000	104 - 40	FE5-3634-000	160 - 4	FG6-8462-000	210 - 26
FB6-2074-000	104 - 41	FE5-4048-000	311 - 31	FG6-8463-000	210 - 27
FB6-2077-000	210 - 28	FE5-4380-000	160 - 5	FG6-8464-000	103 - 18
FB6-2081-000	130 - 1	FF6-0970-000	312 - 8	FG6-8465-000	106 - 10
FB6-2082-000	130 - 2	FF6-1273-000	161 - 28	FG6-8466-000	106 - 11
FB6-2084-000	130 - 3	FF6-1285-000	164 - 29	FG6-8467-000	106 - 12
FB6-2085-000	130 - 4	FF6-1286-000	164 - 30	FG6-8468-000	104 - 33
FB6-2086-000	130 - 5	FF6-1287-000	164 - 31	FG6-8470-000	104 - 37
FB6-2087-000	130 - 6	FF6-1292-000	164 - 46	FG6-8480-000	103 - 19
FB6-2088-000	130 - 7	FF6-1293-000	164 - 16	FG6-8481-000	104 - 38
FB6-2089-000	130 - 8	FF6-1610-000	311 - 43	FG6-8482-000	310 - 11
FB6-2090-000	130 - 9	FF6-1621-000	311 - 25	FG6-8483-000	104 - 39
FB6-2091-000	130 - 17	FF6-1622-000	100 - 8	FG6-8484-000	810 - 26
FB6-2092-000	130 - 10	FF6-1630-000	100 - 13	FG6-8485-000	810 - 25C
FB6-2093-000	130 - 18	FF6-1631-000	100 - 11	FG6-8486-000	103 - 20
FB6-2094-000	130 - 11	FF6-1670-000	104 - 25	FG6-8487-000	810 - 18
FB6-2095-000	130 - 12	FF6-1671-000	104 - 26	FG6-8488-000	810 - 47
FB6-2096-000	130 - 13	FF6-1700-000	100 - 24	FG6-8491-000	105 - 7
FB6-2097-000	130 - 14	FF6-1727-000	210 - 7	FG6-8495-000	104 - 34
FB6-2098-000	130 - 15	FF6-1728-000	210 - 7	FG6-8498-000	102 - 19
FB6-2099-000	130 - 16	FF6-1729-000	210 - 7	FG6-8499-000	104 - 35
FB6-2121-000	130 - 18	FF6-1732-000	315 - 6	FG6-8500-000	104 - 36
FB6-2127-000	100 - 3	FF6-1734-000	640 - 14	FG6-8647-000	105 - 6
FB6-2130-000	130 - 17	FF6-1736-000	640 - 15	FG6-8779-000	164 -
FB6-2131-000	130 - 17	FF6-1737-000	640 - 16	FG6-8782-000	164 - 61
FB6-2132-000	130 - 17	FF6-1738-000	104 - 24	FG6-8783-000	163 -
FB6-2133-000	130 - 17	FF6-1742-000	210 - 6	FG6-8784-000	163 - 18
FB6-2134-000	130 - 18	FF6-1745-000	810 - 39	FG6-8785-000	162 -
FB6-2135-000	130 - 18	FF6-1750-000	300 - 1	FG6-8879-040	103 - 22
FB6-2137-000	102 - 15	FF6-1751-000	300 - 2	FG6-8880-040	103 - 22
FB6-2138-000	104 - 46	FF6-1759-000	210 - 8	FG6-8881-000	106 - 3
FB6-2139-000	104 - 47		B - J401	FG6-8884-000	106 - 2
FB6-2140-000	102 - 20		B - J930	FG6-8886-000	130 - 20
FB6-2141-000	100 - 27	FF6-1766-000	104 - 42	FG6-8889-000	106 - 6
FB6-2142-000	100 - 27	FF6-1956-000	162 - 10	FG6-8890-000	104 - 14
FB6-2143-000	100 - 27	FF6-1960-000	164 - 2	FG6-8891-000	106 - 5
FB6-2144-000	100 - 27	FF6-1962-000	164 - 51	FG6-9160-000	210 - 26
FB6-2145-000	100 - 27	FF6-1963-000	164 - 50	FG6-9161-000	210 - 27
FB6-2188-000	130 - 18	FF6-1964-000	163 - 14	FG6-9353-000	210 - 26
FB6-2194-000	312 - 1	FF6-1965-000	162 - 12	FG6-9454-000	106 - 3
FB6-2207-000	300 - 16	FF6-1966-000	162 - 11	FG6-9457-000	106 - 2
	300 - 16	FF6-1967-000	161 - 13	FG6-9783-000	106 - 4
FB6-2208-000	100 - 27	FF6-2173-000	163 - 13	FG6-9978-000	106 - 3
FB6-2209-000	100 - 27	FG3-2175-000	161 - 2	FH2-6894-000	102 - 11
FB6-2210-000	312 - 9	FG3-2176-000	162 - 14		B - J105
FB6-2211-000	102 - 15	FG3-2177-000	161 - 5		B - J122
FB6-2213-000	810 - 15	FG3-2178-000	164 - 27	FH2-6942-000	103 - 14

PART NUMBER	FIGURE & KEY NO.	PART NUMBER	FIGURE & KEY NO.	PART NUMBER	FIGURE & KEY NO.
FH2-6942-000	B - J35	FS7-0982-000	810 - 8	PCB	B - J903
	B - J104	FS7-0983-000	810 - 9		B - J1101
	B - J235	FS7-0984-000	810 - 56		B - J1105
FH2-6943-000	106 - 13	FS7-2584-000	101 - 14	RB1-2190-000	311 - 23
	B - J1	FS7-2585-000	104 - 27	RB1-6179-000	311 - 37
	B - J41	FS7-2587-000	104 - 28	RB1-8945-000	311 - 24
FH2-6945-000	103 - 5	FS7-2589-000	104 - 29	RB2-3320-000	311 - 41
	B - J63	FS7-2590-000	104 - 30	RH2-5229-000	102 - 33
	B - J263	FS7-2595-000	810 - 14	RS1-1053-000	163 - 21
	B - J311	FS7-2596-000	810 - 17	RS5-1496-000	810 - 35
FH2-6948-000	106 - 1	FS7-2597-000	810 - 57	VS1-0842-002	B - J904
	B - J21	FS7-2602-000	101 - 15		B - J905
	B - J221	FS7-2663-000	163 - 15		B - J906
	B - J403	FS7-2664-000	164 - 55	VS1-0842-003	B - J113
FH2-6965-000	102 - 13	FS7-2712-000	315 - 8		B - J317
FH2-6966-000	102 - 32	FS7-2773-000	164 - 18		B - J404
FH2-6967-000	102 - 36	FS7-2774-000	164 - 24		B - J808
FH2-7003-000	106 - 9	FS7-2780-000	164 - 43		B - J908
	B - J6	FS7-8267-000	810 - 15		B - J909
	B - J42	FU3-0027-000	163 - 20		B - J910
FH3-2645-000	102 - 12	FU3-0029-000	164 - 44		B - J916
FH3-2649-000	102 - 12	FU3-0030-000	164 - 45		B - J920
FH3-2650-000	102 - 12	FU3-0122-000	260 - 3		B - J921
FH3-2653-000	102 - 12	FU3-0123-000	260 - 4		B - J922
FH3-2654-000	102 - 12	FU3-0124-000	260 - 5		B - J951
FH3-2655-000	102 - 12	FU3-0125-000	260 - 6		B - J970
FH5-3230-000	102 - 14	FU3-0126-000	260 - 7		B - J972
FH6-0813-000	130 - 19	FU3-0127-000	260 - 8		B - J974
FH6-0816-000	102 - 35	FU3-0128-000	260 - 9		B - J975
FH6-0817-000	102 - 35	FU3-0129-000	260 - 10		B - J999
FH6-0818-000	102 - 35	FU3-0130-000	260 - 11	VS1-0842-004	B - J318
FH6-0819-000	102 - 35	FU3-0250-000	164 - 28		B - J911
FH6-0820-000	102 - 35	FU3-0251-000	164 - 38	VS1-0842-005	B - J902
FH6-0821-000	102 - 35	FU3-0252-000	164 - 59		B - J902
FH6-0822-000	102 - 35	FU3-0253-000	164 - 60	VS1-0842-006	B - J314
FH6-1832-000	104 - 6	FU3-0254-000	164 - 56		B - J913
FH6-1835-000	102 - 18	HG1-4365-000	106 - 7		B - J980
FH6-1948-000	210 - 19	HG5-2587-000	106 - 7	VS1-0842-007	B - J801
FH6-1952-000	164 - 53	HG5-2598-000	106 - 7	VS1-0842-008	B - J907
FH6-5001-020	104 - 7	PCB	B - J1	VS1-0842-011	B - J101
FH6-5022-000	161 - 3		B - J1		B - J1105
FH6-5044-000	311 - 13		B - J2		B - J9010
FH7-4731-000	810 - 54		B - J6		B - J9010
FH7-4732-000	810 - 54		B - J21	VS1-0842-013	B - J800
FH7-5996-000	104 - 8		B - J32		B - J1101
FH7-7569-000	210 - 9		B - J35	VS1-0852-003	B - J315
	210 - 9		B - J41		B - J402
	210 - 9		B - J42		B - J971
FL5-0550-040	160 - 6		B - J44		B - J976
FS1-1189-000	164 - 33		B - J63	VS1-0852-006	B - J319
FS1-1205-000	311 - 14		B - J81	VS1-0853-003	B - J973
	810 - 34		B - J101	VS1-5057-002	102 - 19A
FS1-9009-000	311 - 40		B - J102		104 - 38A
FS1-9010-000	810 - 49		B - J103		161 - 4
FS2-1538-000	163 - 19		B - J104		310 - 11A
FS2-9394-000	164 - 3		B - J105		B - J904
FS4-0590-000	162 - 8		B - J106		B - J905
FS5-1438-000	640 - 17		B - J107		B - J906
FS5-1854-000	311 - 15		B - J108		B - J943
FS5-3927-000	164 - 34		B - J110	VS1-5057-003	104 - 38B
FS5-3929-000	164 - 36		B - J113		B - J916
FS5-3930-000	164 - 37		B - J120		B - J951
FS5-3982-000	164 - 10		B - J121	VS1-5057-006	103 - 19A
FS5-3983-000	164 - 6		B - J122		161 - 5A
FS5-3984-000	164 - 35		B - J123		B - J913
FS5-6937-000	161 - 27		B - J201	VS1-5057-007	103 - 19B
FS5-6938-000	164 - 15		B - J206		B - J801
FS5-9709-000	104 - 9		B - J212	VS1-5057-011	105 - 7A
FS5-9740-000	161 - 15		B - J221		B - J9010
FS5-9742-000	103 - 6		B - J235	VS1-5057-013	104 - 38C
FS6-1020-000	164 - 40		B - J244		105 - 7B
FS6-1022-000	164 - 41		B - J263		B - J800
	164 - 54		B - J311	VS1-5452-006	B - J2
FS6-2917-000	300 - 9		B - J313		B - J81
FS7-0207-000	300 - 4		B - J314	VS1-5452-012	B - J32
FS7-0225-000	311 - 17		B - J315		B - J212
FS7-0226-000	311 - 18		B - J317		B - J903
FS7-0227-000	311 - 19		B - J318	VS1-5452-014	B - J901
FS7-0228-000	311 - 20		B - J319	VS1-5729-003	B - J807
FS7-0229-000	311 - 21		B - J321	VS1-5824-002	B - J943
FS7-0230-000	311 - 22		B - J401	VS1-5824-003	B - J808
FS7-0970-000	260 - 1		B - J402		B - J914
FS7-0977-000	260 - 2		B - J403	VS1-5824-007	B - J801
FS7-0979-000	101 - 13		B - J404	VS1-6084-012	B - J32
FS7-0980-000	315 - 7		B - J901		B - J212

PART NUMBER	FIGURE & KEY NO.	PART NUMBER	FIGURE & KEY NO.	PART NUMBER	FIGURE & KEY NO.
VS1-6197-024	B - J32	XB1-2401-809	102 - 504	XG9-0403-000	164 - 49
	B - J212	XB2-5400-607	100 - 506	XG9-0480-000	103 - 12
VS1-6198-003	810 - 26A	XB2-7300-607	105 - 501	XG9-0481-000	810 - 50
	B - J808		106 - 501	XH9-0127-000	310 - 4
VS1-6225-003	B - J108		311 - 508		
VS1-6225-006	B - J805	XB2-8300-607	810 - 505		
	B - J806	XB2-8300-806	105 - 503		
VS1-6225-012	B - J103		106 - 502		
VS1-6225-013	B - J110	XB2-8300-807	103 - 503		
VS1-6225-015	B - J102		106 - 504		
VS1-6225-016	B - J106	XB3-6300-800	102 - 509		
VS1-6302-004	B - J123	XB3-6400-800	102 - 507		
	B - J321	XB4-5300-609	315 - 501		
VS1-6313-011	B - J206	XB4-5300-806	161 - 507		
VS1-6492-006	210 - 26A		163 - 501		
	210 - 27A	XB4-5300-809	130 - 501		
	B - J805	XB4-5400-809	161 - 506		
	B - J806		164 - 504		
VS1-6695-020	B - J1	XB4-5401-006	161 - 504		
	B - J121	XB4-5401-007	100 - 504		
	B - J201		101 - 504		
VS3-0143-002	B - J44		102 - 511		
	B - J244		105 - 502		
VS3-5083-000	B - J807		310 - 501		
VS3-5083-002	B - J107	XB4-5401-009	161 - 505		
VS3-5121-002	B - J915	XB4-5401-609	161 - 512		
VS3-5122-002	B - J915	XB4-7300-609	102 - 501		
VS3-5122-003	B - J120	XB4-7300-809	104 - 501		
WC2-5332-000	310 - 10B		161 - 503		
WC4-5126-000	104 - 38D		162 - 501		
WE8-0051-000	105 - 7C		162 - 502		
WG8-5362-000	103 - 11		164 - 503		
	104 - 32		640 - 501		
	161 - 14		810 - 501		
	162 - 13	XB4-7301-009	100 - 505		
	164 - 47		810 - 506		
	210 - 10	XB4-7301-206	161 - 511		
	311 - 27	XB4-7400-809	102 - 505		
	810 - 11		103 - 506		
	810 - 25B		104 - 502		
WS3-1105-000	B - J44		311 - 501		
	B - J244	XB4-7401-005	311 - 509		
WS3-5160-000	B - J107	XB4-7401-009	160 - 501		
	B - J807		810 - 508		
WS3-5292-000	B - J120	XB4-7401-205	100 - 502		
	B - J915		104 - 506		
WS3-5301-000	B - J807		260 - 501		
WS3-5358-000	B - J808	XB4-7401-609	104 - 505		
	B - J914	XB4-7403-509	102 - 502		
	B - J943	XB6-7300-407	210 - 504		
WS3-5569-000	B - J1	XB6-7300-606	102 - 506		
	B - J121	XB6-7300-607	101 - 501		
	B - J123		103 - 507		
	B - J201		210 - 503		
	B - J321	XB6-7300-609	311 - 502		
WT3-5147-000	102 - 37	XB7-2100-409	161 - 502		
XA9-0385-000	105 - 8	XB7-2100-509	161 - 510		
	310 - 3	XD1-1104-125	810 - 507		
XA9-0519-000	161 - 18	XD1-1106-213	810 - 503		
XA9-0605-000	300 - 5	XD1-1106-219	810 - 504		
XA9-0629-000	100 - 25	XD1-1106-235	311 - 507		
	102 - 21	XD1-1108-219	104 - 503		
	105 - 5	XD1-4100-302	164 - 502		
XA9-0772-000	102 - 34	XD2-1100-242	311 - 504		
XA9-0901-000	810 - 13	XD2-1100-322	164 - 505		
XA9-1116-000	101 - 17		640 - 502		
XA9-1206-000	810 - 41	XD2-1100-402	101 - 502		
XA9-1249-000	161 - 19		103 - 502		
XA9-1279-000	810 - 12	XD2-1100-502	101 - 503		
XB1-2300-407	100 - 503		104 - 504		
	100 - 503		161 - 509		
	161 - 508		164 - 506		
	164 - 501		210 - 502		
	164 - 508		311 - 503		
	210 - 501		640 - 503		
XB1-2300-607	100 - 501		810 - 502		
	102 - 510	XD3-1200-122	311 - 505		
	103 - 505	XD3-2200-102	164 - 507		
XB1-2300-609	102 - 503		164 - 510		
	103 - 501	XF2-1604-340	164 - 48		
	640 - 504	XF2-1608-840	164 - 4		
XB1-2400-607	161 - 501	XF2-1609-460	164 - 57		
	164 - 509	XF2-1610-640	164 - 5		
	311 - 506	XF9-0355-000	210 - 20		
XB1-2400-609	103 - 504	XF9-0728-000	210 - 11		

D2 NUMERICAL INDEX (Cassette Feeding Module-F1/G1/H1)

PART NUMBER	FIGURE & KEY NO.	PART NUMBER	FIGURE & KEY NO.	PART NUMBER	FIGURE & KEY NO.
FB4-5512-030	R40 - 5	FB6-1996-000	R42 - 48	VS1-0842-011	R B2 - J1501
FB4-5532-000	R41 - 5	FB6-1997-000	R43 - 48		R B2 - J9010
	R40 - 6		R42 - 49		R B3 - J1501
	R41 - 6	FE5-4048-000	R43 - 49	VS1-0842-013	R B3 - J9010
FB4-5669-000	R42 - 29		R42 - 31		R B1 - J800
	R43 - 29	FF6-1610-000	R43 - 31		R B1 - J1101
FB4-5671-000	R42 - 44		R42 - 43		R B1 - J8000
	R43 - 44	FG6-8440-000	R43 - 43		R B2 - J800
FB4-5672-000	R42 - 32		R40 - 10		R B2 - J1508
	R43 - 32	FG6-8442-000	R41 - 10		R B2 - J8001
FB4-9817-030	R42 - 30	FG6-8482-000	R42 -		R B2 - J8002
	R43 - 30		R40 - 11		R B2 - J8003
FB6-1605-000	R40 - 1	FG6-8491-000	R41 - 11		R B3 - J800
	R41 - 1	FG6-8492-000	R11 - 8		R B3 - J1508
FB6-1607-000	R11 - 1		R12 - 8	VS1-0842-014	R B3 - J8001
	R12 - 1	FG6-8630-000	R13 - 8		R B3 - J8002
	R13 - 1	FG6-8647-000	R43 -	VS1-0842-015	R B3 - J8003
FB6-1608-000	R40 - 7	FG6-8648-000	R11 - 9		R B2 - J1509
	R41 - 7		R12 - 9	VS1-0842-015	R B3 - J1509
FB6-1613-000	R42 - 28	FH6-5044-000	R13 - 9		R B2 - J1510
	R43 - 28		R42 - 13	VS1-5057-002	R B3 - J1510
FB6-1614-000	R42 - 33	FS1-1205-000	R43 - 13		R40 - 11A
	R43 - 33		R42 - 14		R41 - 11A
FB6-1615-000	R42 - 1	FS1-9009-000	R43 - 14		R B1 - J906
	R43 - 1		R42 - 40		R B2 - J906
FB6-1616-000	R42 - 2	FS5-1854-000	R43 - 40	VS1-5057-011	R B3 - J906
	R43 - 2		R42 - 15		R11 - 8A
FB6-1623-000	R42 - 34	FS6-2915-000	R43 - 15		R12 - 8A
	R43 - 34		R42 - 16		R13 - 8A
FB6-1624-000	R42 - 35	FS6-2919-000	R43 - 16		R B1 - J9010
	R43 - 35		R42 - 36		R B2 - J9010
FB6-1625-000	R40 - 2	FS7-0225-000	R43 - 36	VS1-5057-013	R B3 - J9010
	R41 - 2		R42 - 17		R11 - 8B
FB6-1626-000	R42 - 3	FS7-0226-000	R43 - 17		R12 - 8B
	R43 - 3		R42 - 18		R13 - 8B
FB6-1627-000	R42 - 4	FS7-0227-000	R43 - 18		R B1 - J8000
	R43 - 4		R42 - 19		R B2 - J8001
FB6-1628-000	R42 - 5	FS7-0228-000	R43 - 19		R B2 - J8002
	R43 - 5		R42 - 20		R B2 - J8003
FB6-1629-000	R42 - 45	FS7-0229-000	R43 - 20		R B3 - J8001
	R43 - 45		R42 - 21		R B3 - J8002
FB6-1632-000	R42 - 6	FS7-0230-000	R43 - 21	VS1-5452-004	R B3 - J8003
	R43 - 6		R42 - 22		R B2 - J806
FB6-1633-000	R42 - 7	PCB	R43 - 22		R B2 - J1503
	R43 - 7		R B1 - J1101		R B3 - J806
FB6-1634-000	R42 - 8		R B1 - J1105	VS1-5820-004	R B3 - J1503
	R43 - 8		R B2 - J1501		R12 - 8C
FB6-1636-000	R42 - 9		R B2 - J1503		R13 - 8C
FB6-1642-000	R11 - 2		R B2 - J1508		R B2 - J806
	R12 - 2		R B2 - J1509		R B3 - J806
	R13 - 2		R B2 - J1510	WC2-5332-000	R40 - 10B
FB6-1656-000	R11 - 3		R B3 - J1501		R41 - 10B
	R12 - 3		R B3 - J1503	WE8-0051-000	R11 - 8C
	R13 - 3		R B3 - J1508		R12 - 8D
FB6-1659-000	R11 - 4		R B3 - J1509		R13 - 8D
	R12 - 4		R B3 - J1510	WG8-5362-000	R42 - 27
	R13 - 4	RB1-2190-000	R42 - 23		R43 - 27
FB6-1660-000	R42 - 10		R43 - 23	XA9-0385-000	R11 - 7
	R43 - 10	RB1-6179-000	R42 - 37		R12 - 7
FB6-1902-000	R42 - 42		R43 - 37		R13 - 7
	R43 - 42	RB1-8922-000	R42 - 47		R40 - 3
FB6-1903-000	R43 - 50		R43 - 47		R41 - 3
FB6-1904-000	R43 - 9	RB1-8945-000	R42 - 24	XB1-2400-607	R42 - 506
FB6-1905-000	R42 - 11		R43 - 24		R43 - 506
	R43 - 11	RB2-3320-000	R42 - 41	XB2-7300-607	R42 - 508
FB6-1906-000	R11 - 5		R43 - 41		R43 - 508
	R12 - 5	RF5-2634-000	R42 - 25	XB2-8300-806	R11 - 502
	R13 - 5		R43 - 25		R12 - 502
FB6-1907-000	R42 - 38	RH7-1359-000	R43 - 51		R13 - 502
	R43 - 38	RS1-1016-000	R42 - 26	XB4-5401-007	R11 - 501
FB6-1908-000	R42 - 39		R43 - 26		R12 - 501
	R43 - 39	VS1-0842-002	R B1 - J906		R13 - 501
FB6-1909-000	R42 - 12		R B2 - J906		R40 - 501
	R43 - 12	VS1-0842-003	R B3 - J906	XB4-7400-809	R41 - 501
FB6-1910-000	R40 - 10A		R B1 - J921		R42 - 501
	R41 - 10A		R B1 - J922	XB4-7401-005	R43 - 501
FB6-1913-000	R11 - 6		R B2 - J921		R42 - 509
	R12 - 6		R B2 - J922	XB6-7300-609	R43 - 510
	R13 - 6		R B3 - J921		R42 - 502
FB6-1917-000	R40 - 8	VS1-0842-005	R B3 - J922		R43 - 502
	R41 - 8		R B1 - J902	XD1-1106-235	R42 - 507
FB6-1920-000	R42 - 46		R B2 - J902		R43 - 507
	R43 - 46	VS1-0842-011	R B3 - J902	XD2-1100-242	R42 - 504
FB6-1974-000	R40 - 9		R B1 - J1105		R43 - 504
	R41 - 9		R B1 - J9010	XD2-1100-502	R42 - 503

PART NUMBER	FIGURE & KEY NO.	PART NUMBER	FIGURE & KEY NO.	PART NUMBER	FIGURE & KEY NO.
XD2-1100-502 XD3-1200-122 XH9-0127-000	R43 - 503 R42 - 505 R43 - 505 R40 - 4 R41 - 4				

D3 NUMERICAL INDEX (Inner 2-way Tray-B1)

PART NUMBER	FIGURE & KEY NO.	PART NUMBER	FIGURE & KEY NO.	PART NUMBER	FIGURE & KEY NO.
FB4-9814-000	Q30 - 1				
FB5-8126-000	Q30 - 2				
FB5-8129-000	Q30 - 3				
FB6-1494-000	Q30 - 4				
FB6-1537-000	Q30 - 20				
FB6-2450-000	Q01 - 1				
FB6-2451-000	Q01 - 2				
FB6-2452-000	Q30 - 5				
FB6-2453-000	Q30 - 6				
FB6-2454-000	Q01 - 3				
FB6-2455-000	Q30 - 7				
FB6-2456-000	Q01 - 4				
FB6-2457-000	Q30 - 8				
FB6-2458-000	Q30 - 9				
FB6-2461-000	Q30 - 10				
FB6-2462-000	Q01 - 5				
FB6-2463-000	Q30 - 11				
FB6-2464-000	Q30 - 12				
FB6-2465-000	Q30 - 13				
FB6-2466-000	Q01 - 6				
FB6-2468-000	Q30 - 14				
FG6-8271-000	Q30 - 25				
FG6-8489-000	Q01 - 8				
FG6-8490-000	Q30 - 23				
FG6-8667-000	Q30 - 24				
FH7-5779-000	Q30 - 15				
FS5-3977-000	Q30 - 16				
FS5-3978-000	Q30 - 17				
FS5-6932-000	Q01 - 7				
	Q30 - 18				
FS6-1045-000	Q30 - 19				
PCB	Q B - J1601				
	Q B - J1602				
VS1-0842-002	Q B - J811				
VS1-0842-003	Q B - J980				
	Q B - J981				
VS1-0842-008	Q B - J1602				
VS1-5057-002	Q30 - 23A				
	Q B - J811				
VS1-6225-011	Q B - J112				
	Q B - J1601				
WG8-5362-000	Q30 - 21				
XA9-0591-000	Q30 - 26				
XB1-2300-609	Q30 - 501				
XB2-7300-607	Q01 - 501				
XB2-8300-807	Q30 - 502				
XB4-5401-007	Q30 - 503				
XB4-7400-809	Q01 - 502				
XD9-0192-000	Q30 - 22				

D4 NUMERICAL INDEX (PRINTER BOARD-N1)

PART NUMBER	FIGURE & KEY NO.	PART NUMBER	FIGURE & KEY NO.	PART NUMBER	FIGURE & KEY NO.
FG3-1918-000	U12 - 2				
FG3-2162-000	U13 - 2				
FG3-2296-000	U12 - 1				
FG3-2701-000	U10 - 2				
FG3-3056-000	U10 - 2A				
FG3-3073-000	U10 - 2				
FG6-8320-000	U11 - 1				
FG6-8372-000	U11 - 1				
FG6-8892-000	U10 - 3				
FH2-6946-000	U10 - 1				
FH2-6947-000	U11 - 2				
FH4-3913-000	U10 - IC12				
FH4-3914-000	U10 - IC13				
FH4-3929-000	U10 - IC12				
FH4-3930-000	U10 - IC13				
XA9-1223-000	U13 - 1				
XB1-1300-807	U13 - 501				
XB1-2300-607	U10 - 501				
	U11 - 501				

D5 NUMERICAL INDEX (Super G3 FAX Expansion Kit-B1)

PART NUMBER	FIGURE & KEY NO.	PART NUMBER	FIGURE & KEY NO.	PART NUMBER	FIGURE & KEY NO.
FB6-1395-000	G11 - 1				
FG3-1587-000	G11 - 3				
FG3-2673-000	G11 - 4				
FG6-8465-000	G11 - 5				
FG6-8469-000	G11 - 6				
FG6-8472-000	G11 - 7				
FG6-9451-000	G11 - 11				
FG6-9452-000	G11 - 11				
FG6-9453-000	G11 - 11				
FG6-9617-000	G11 - 8				
FH2-6944-000	G11 - 2				
HG1-4365-000	G11 - 9				
HH2-2830-000	G11 - 10				
XB1-2300-607	G11 - 501				

Prepared by
OFFICE IMAGING PRODUCTS QUALITY ASSURANCE CENTER
CANON INC.
Printed in Japan

REVISION 0 [APR. 2002]

5-1, Hakusan 7-chome, Toride-shi, Ibaraki 302-8501, Japan



This publication is
printed on 100%
recycled paper.

Canon