

iR1200/iR1300 Series

PARTS CATALOG

REVISION 0 - 01

Canon

SEPT 2002

FY8-31FX-000

PREFACE

This Parts Catalog contains listings of parts used in the iR1200/iR1300 Series. Diagrams are provided with the listings to aid the service technician in identifying clearly, the item to be ordered.

Whenever ordering parts, consult this Parts Catalog for all of the information pertaining to each item. Be sure to include, in the Parts Request, the full item description, the item part number and the quantity.

Canon Inc.

Office Imaging Products Device Quality Assurance Center
5-1, Hakusan 7-chome,
Toride-city, Ibaraki 302-8501, Japan

COPYRIGHT © 2002 CANON INC.

Printed in Japan

Imprim au Japon

Use of this manual should be strictly supervised to avoid disclosure of confidential information.

LIST OF SERIAL NUMBER

iR1210

127V 60Hz	F14-2230	ZTY00001-
220/240V 50Hz	F14-2241	MTC00001- PVZ00001-
220/240V 50Hz	F14-2291	QTL00001- UVB00001- UVC00001- UVD00001- UVE00001-
220/240V 50Hz	F14-2279	UMA00001-

iR1230

220/240V 50Hz	F14-2242	MTD00001- MTE00001-
220/240V 50Hz	F14-2292	QTM00001- UVF00001- UVG00001- UVH00001- UVJ00001-
220/240V 50Hz	F14-2289	UNA00001-

iR1270F

220/240V 50Hz	F14-2243	MTF00001- MTG00001-
220/240V 50Hz	F14-2299	UPA00001-

iR1310

120V 60Hz	F14-2231	ZTW00001-
-----------	----------	-----------

iR1330

120V 60Hz	F14-2232	ZTZ00001-
-----------	----------	-----------

iR1370F

120V 60Hz	F14-2233	ZUB00001-
-----------	----------	-----------

CONTENTS

- A. ASSEMBLY LOCATION DIAGRAM
 - 100. EXTERNAL COVERS, PANELS, ETC.
 - 101. INTERNAL COMPONENTS 1
 - 102. INTERNAL COMPONENTS 2
 - 103. INTERNAL COMPONENTS 3
 - 130. CONTROL PANEL ASSEMBLY
 - 160. COPYBOARD COVER ASSEMBLY(ZTY,MTC,PVZ,
QTL,UVB,UVC,UVD,UVE,ZTW,UMA)
 - 161. ADF ASSEMBLY(MTD,MTE,QTM,UVF,UVG,UVH,
UVJ,ZTZ,ZUB,MTF,MTG,UNA,UPA)

 - 210. READER ASSEMBLY
 - 220. READER DRIVE ASSEMBLY
 - 240. ADF DRIVE ASSEMBLY(MTD,MTE,QTM,UVF,UVG,
UVH,UVJ,ZTZ,ZUB,MTF,MTG,UNA,UPA)
 - 250. MAIN DRIVE ASSEMBLY

 - 300. CASSETTE(ZTY)
 - 301. CASSETTE(QTL,UVB,UVC,UVD,UVE,QTM,UVF,UVG
UVH,UVJ,UMA,UNA,UPA)
 - 302. CASSETTE
(MTC,PVZ,MTD,MTE,ZTW,ZTZ,ZUB,MTF,MTG)
 - 320. REGISTRATION ASSEMBLY
 - 330. PAPER FEEDER ASSEMBLY

 - 460. LASER SCANNER ASSEMBLY

 - 640. DEVELOPING ASSEMBLY

 - 810. FIXING ASSEMBLY

 - 930. PCB ASSEMBLY
 - 950. IMAGE PROCESSOR PCB ASSEMBLY
- B. LIST OF CONNECTORS
- C. LIST OF STANDARD FASTENERS
- D. NUMERICAL INDEX

FIGURE A ASSEMBLY LOCATION DIAGRAM(1/2)

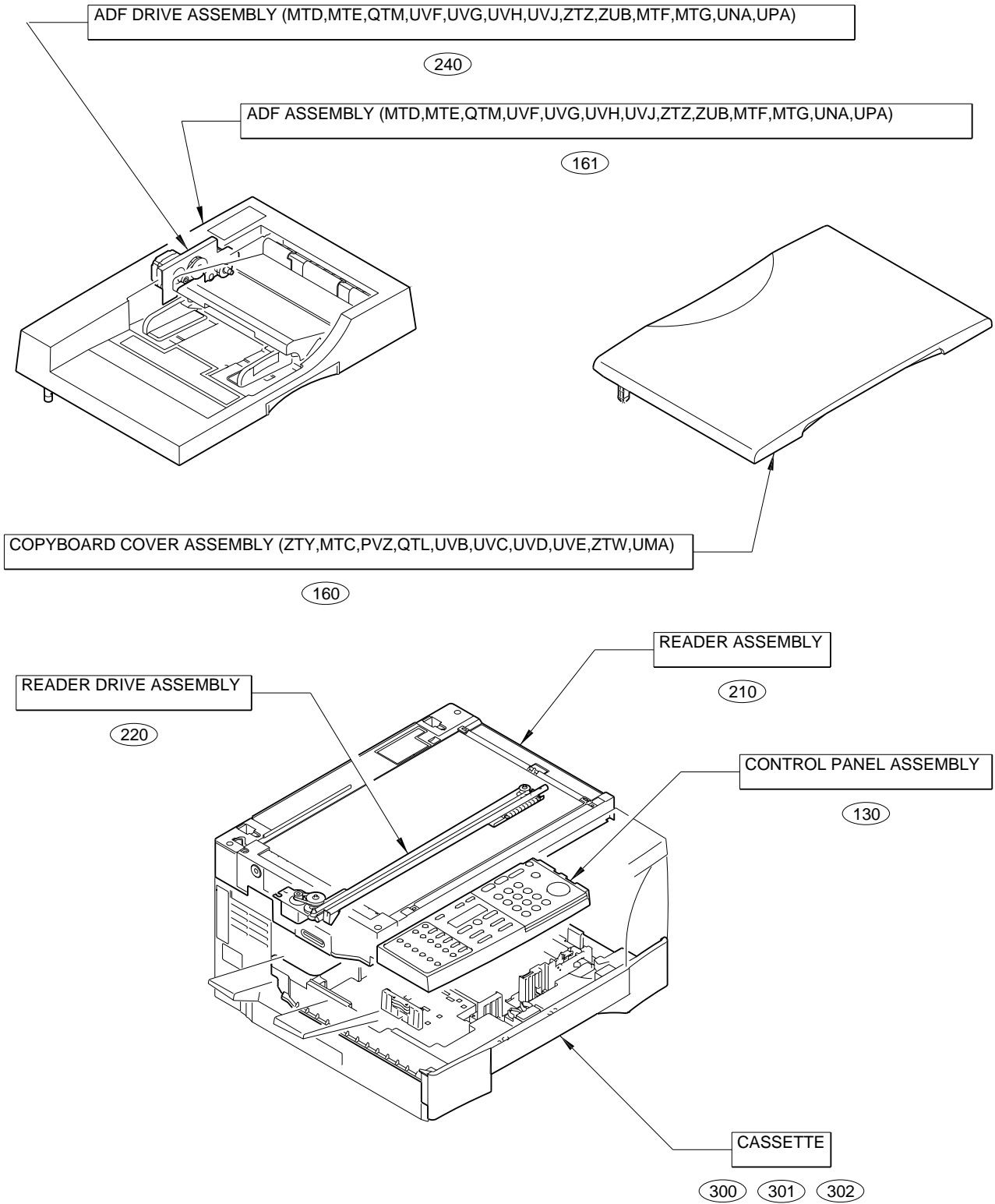


FIGURE A ASSEMBLY LOCATION DIAGRAM(2/2)

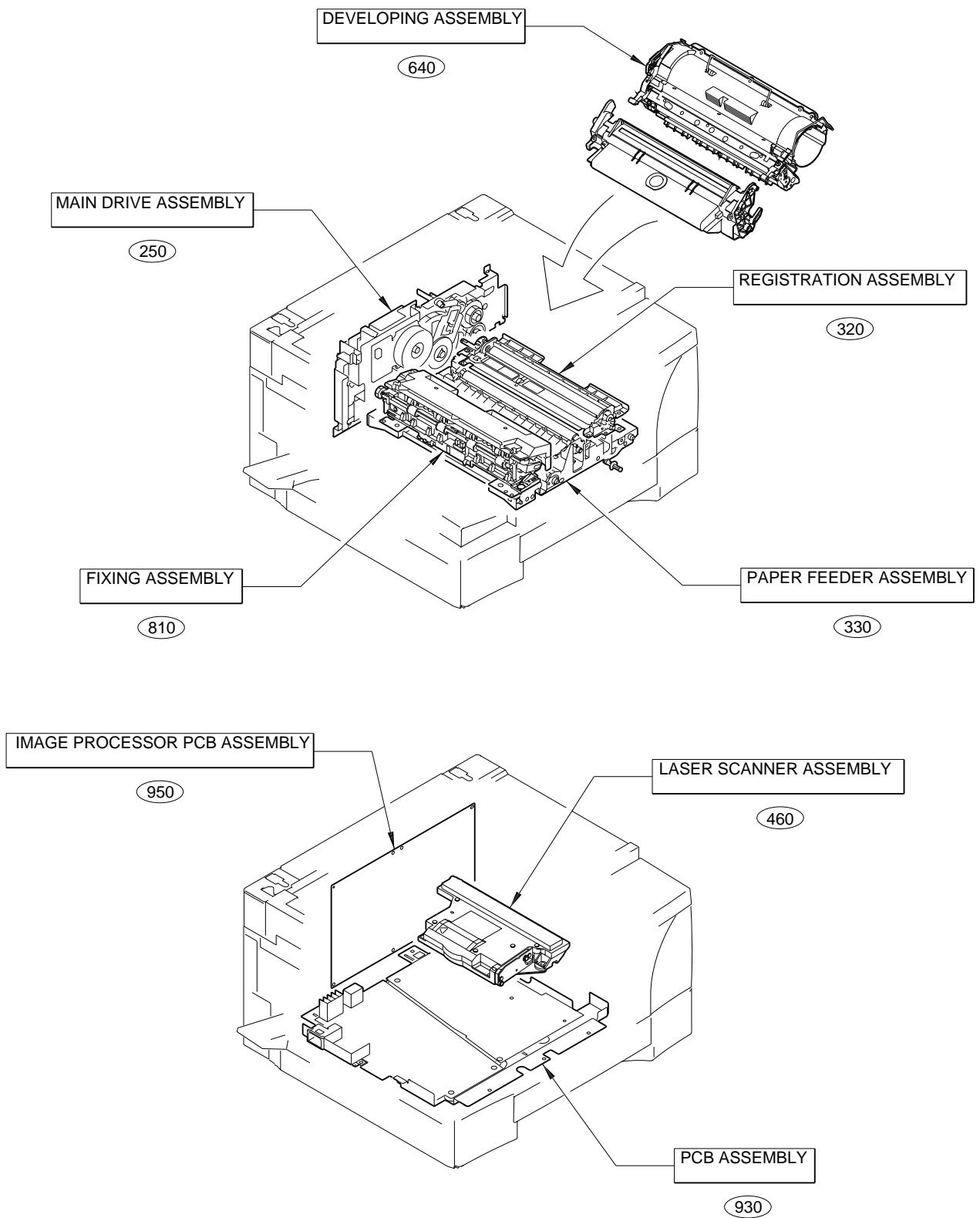


FIGURE 100 EXTERNAL COVERS, PANELS, ETC.

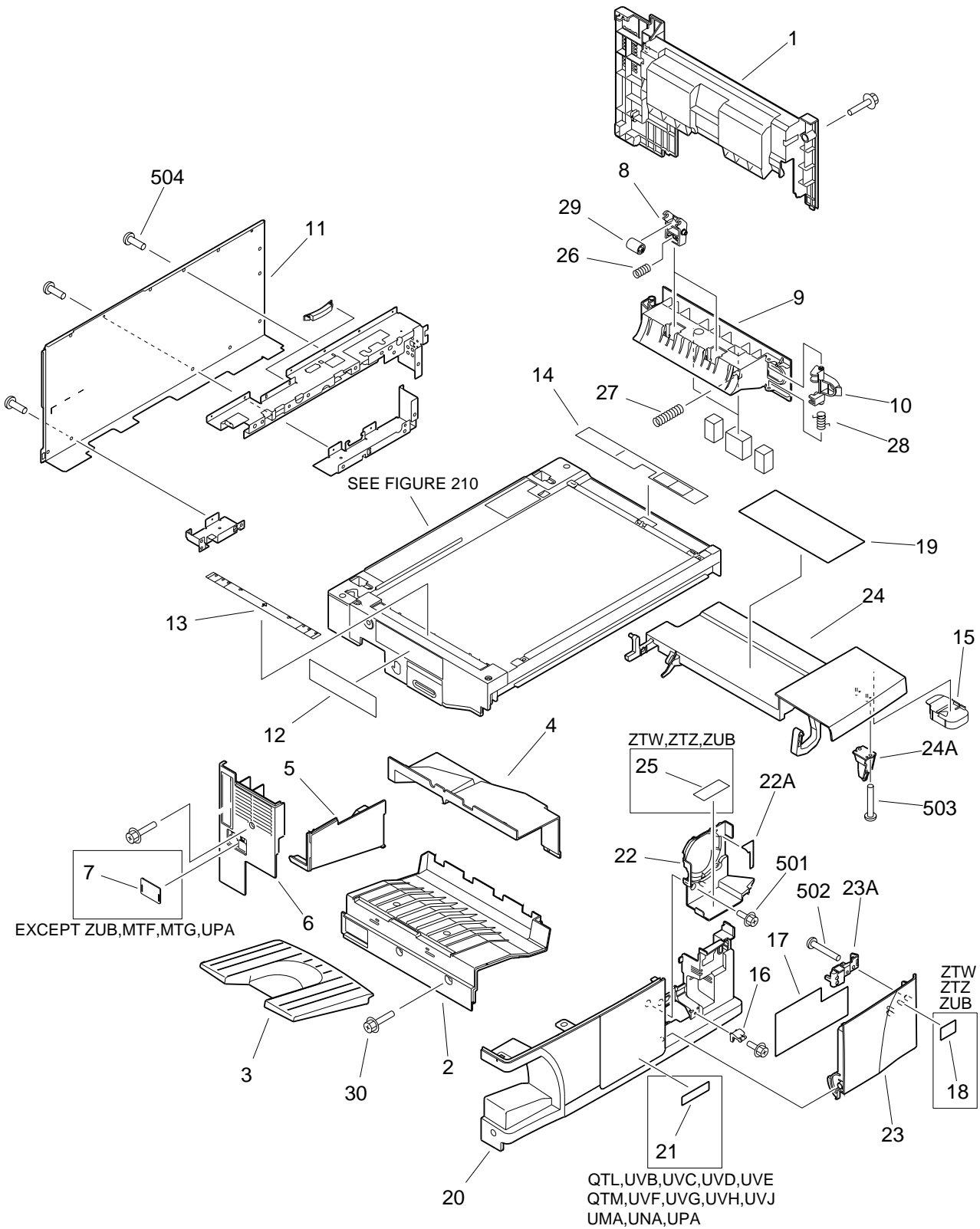


FIGURE & KEY NO.	PART NUMBER	RANK	QTY	DESCRIPTION	SERIAL NUMBER / REMARKS
100 -	NPN		RF	EXTERNAL COVERS, PANELS, ETC.	
1	FB6 - 0085 - 000		1	PANEL, RIGHT	
2	FB6 - 0123 - 000		1	PANEL, PAPER DELIVERY	
3	FB6 - 0124 - 000		1	TRAY, PAPER DELIVERY	
4	FB6 - 0125 - 000		1	PANEL, PAPER DELIVERY, UPPER	
5	FB6 - 0126 - 000		1	PANEL, PAPER DELIVERY, REAR	
6	FB6 - 0127 - 000		1	PANEL, LEFT	
7	FB6 - 0128 - 000		1	LID, MODULAR JACK	EXCEPT ZUB,MTF EXCEPT MTG,UPA
8	FB6 - 0242 - 000		2	ARM, PRESSURE	
9	FB6 - 0243 - 000		1	DOOR, RIGHT	
10	FB6 - 0250 - 000		1	ARM, LOCK	
11	FB6 - 0279 - 000		1	PANEL, REAR	
12	FB6 - 2303 - 000		1	LABEL, REMOVAL	ZTY,ZTW,ZTZ,ZUB
	FB6 - 0283 - 000		1	LABEL, REMOVAL	QTL,UVB,UVC,UVD,UVE QTM,UVF,UVG,UVH,UVJ UMA,UNA,UPA
	FB6 - 0284 - 000		1	LABEL, REMOVAL	MTC,PVZ,MTD,MTE,MTF MTG
13	FB6 - 2305 - 000		1	LABEL, DOCUMENT SIZE	
14	FB6 - 2306 - 000		1	LABEL, READER SLIDE	ZTY,ZTW,ZTZ,ZUB
	FB6 - 2307 - 000		1	LABEL, READER SLIDE	QTL,UVB,UVC,UVD,UVE QTM,UVF,UVG,UVH,UVJ UMA,UNA,UPA
	FB6 - 2308 - 000		1	LABEL, READER SLIDE	MTC,PVZ,MTD,MTE,MTF MTG
15	FB6 - 4633 - 000		1	COVER, DRUM SHUTTER STOP	
16	FB6 - 4650 - 000		1	HINGE, FRONT PANEL	
17	FB6 - 4768 - 000		1	LABEL, "TONER CARTRIDGE"	
18	FB6 - 4783 - 000		1	LABEL, "SUPER G3"	ZTW,ZTZ,ZUB
19	FB6 - 4785 - 000		1	LABEL, JAM CLEARING	
20	FB6 - 4790 - 000		1	PANEL, FRONT	ZTY,MTC,PVZ
	FB6 - 4830 - 000		1	PANEL, FRONT	QTL,UVB,UVC,UVD,UVE QTM,UVF,UVG,UVH,UVJ UMA,UNA,UPA
	FB6 - 4791 - 000		1	PANEL, FRONT	MTD,MTE

FIGURE & KEY NO.	PART NUMBER	RANK	QTY	DESCRIPTION	SERIAL NUMBER / REMARKS
100 - 20	FB6 - 4641 - 000		1	PANEL, FRONT	ZTW
	FB6 - 4788 - 000		1	PANEL, FRONT	ZTZ
	FB6 - 4789 - 000		1	PANEL, FRONT	ZUB
	FB6 - 4792 - 000		1	PANEL, FRONT	MTF,MTG
21	FB6 - 4831 - 000		1	LABEL, MODEL NAME	QTL,UVB,UVC,UVD,UVE UMA
	FB6 - 4832 - 000		1	LABEL, MODEL NAME	QTM,UVF,UVG,UVH,UVJ UNA
	FB6 - 4833 - 000		1	LABEL, MODEL NAME	UPA
22	FF6 - 2301 - 000		1	PANEL, CARTRIDGE	
22 A	FB6 - 4662 - 000		1	LABEL, POSITIONING	
23	FG6 - 9551 - 000		1	DOOR, FRONT	
23 A	FB6 - 4643 - 000		1	BLOCK, STOP	
24	FG6 - 9552 - 000		1	PANEL, CARTRIDGE OPEN/CLOSE	
24 A	FB6 - 4645 - 000		1	BLOCK, STOP	
25	FS6 - 8992 - 000		1	LABEL, TONER	ZTW,ZTZ,ZUB
26	FS7 - 2691 - 000		2	SPRING, COMPRESSION	
27	FS7 - 2692 - 000		1	SPRING, COMPRESSION	
28	FS7 - 2693 - 000		1	SPRING, TORSION	
29	RB2 - 3046 - 000		2	ROLLER	
30	XA9 - 0931 - 000		AR	SCREW, RS, M3X12	
501	XB3 - 6300 - 800		AR	SCREW,RS,M3X8	
502	XB4 - 5401 - 007		2	SCREW,P,M4X10	
503	XB4 - 5401 - 007		2	SCREW,P,M4X10	
504	XB6 - 7300 - 807		AR	SCREW,TP,M3X8	

FIGURE & KEY NO.	PART NUMBER	RANK	QTY	DESCRIPTION	SERIAL NUMBER / REMARKS
101 -	NPN		RF	INTERNAL COMPONENTS 1	
1	FB6 - 0074 - 000		1	FRAME, MULTI FEED	
2	FB6 - 0249 - 000		1	PANEL, MULTI PICK-UP	
3	FB6 - 0251 - 000		1	PIN, HINGE	
4	FB6 - 0265 - 000		1	SHEET, NOISE PREVENTION	
5	FB6 - 0268 - 000		1	RAIL, CASSETTE, RIGHT	
6	FB6 - 0269 - 000		1	RAIL, CASSETTE, LEFT	
7	FB6 - 0291 - 000		1	LEVER, CASSETTE SENSOR	
8	FB6 - 4666 - 000		1	FLAG, SENSOR	
9	FB6 - 4667 - 000		1	HOLDER, SENSOR FLAG	
10	FG6 - 7953 - 000		1	MP PICK-UP ROLLER UNIT	
10 A	FB6 - 0314 - 000		2	COLLAR, MP	
10 B	RB2 - 2900 - 000		1	ROLLER, MP PICK-UP	
10 C	RB2 - 2901 - 000		1	CAM, ROLLER	
10 D	RB2 - 2902 - 000		1	CAM, MP, LEFT	
10 E	RB2 - 2903 - 000		1	CAM, MP, RIGHT	
10 F	XD9 - 0159 - 000		2	PIN, DOWEL	
11	FG6 - 7972 - 000		1	PAPER PICK-UP TRAY UNIT	
12	FG6 - 9851 - 000		1	CABLE, SENSOR, 1	J2520,2521
13	FS7 - 2697 - 000		1	SPRING, TENSION	
14	FS7 - 2933 - 000		1	SPRING, TORSION	
15	FU3 - 0072 - 000		1	GEAR, 26T	
16	RB2 - 3041 - 020		1	HINGE, LEFT	
17	RB2 - 3042 - 020		1	HINGE, RIGHT	
18	RB2 - 3043 - 000		1	BUSHING, LEFT	
19	RB2 - 3044 - 000		1	BUSHING, RIGHT	
20	RF5 - 3272 - 000		1	SEPARATION PAD UNIT	
21	RG5 - 5576 - 000		1	MULTI-PURPOSE TRAY ASS'Y	
21 A	RB2 - 2883 - 000		1	GUIDE, SLIDE, LEFT	
21 B	RB2 - 2884 - 000		1	GUIDE, SLIDE, RIGHT	

FIGURE & KEY NO.	PART NUMBER	RANK	QTY	DESCRIPTION	SERIAL NUMBER / REMARKS
101 - 21 C	RB2 - 2885 - 000		1	GEAR, 18T	
21 D	RB2 - 3084 - 000		2	COLLAR, MP	
22	RS6 - 2030 - 000		2	SPRING, TENSION	
23	VS1 - 5057 - 004		1	CONNECTOR, SNAP TIGHT	J3121
24	WG8 - 5309 - 000		1	PHOTO-INTERRUPTER	PS10 J2521
5 0 1	XB3 - 6300 - 800		AR	SCREW,RS,M3X8	
5 0 2	XB4 - 5401 - 007		AR	SCREW,P,M4X10	
5 0 3	XB4 - 7401 - 009		AR	SCREW,TAPPING,TRUSS HEAD,M4X10	
5 0 4	XD3 - 1160 - 142		1	PIN,SPRING	

FIGURE 102 INTERNAL COMPONENTS 2

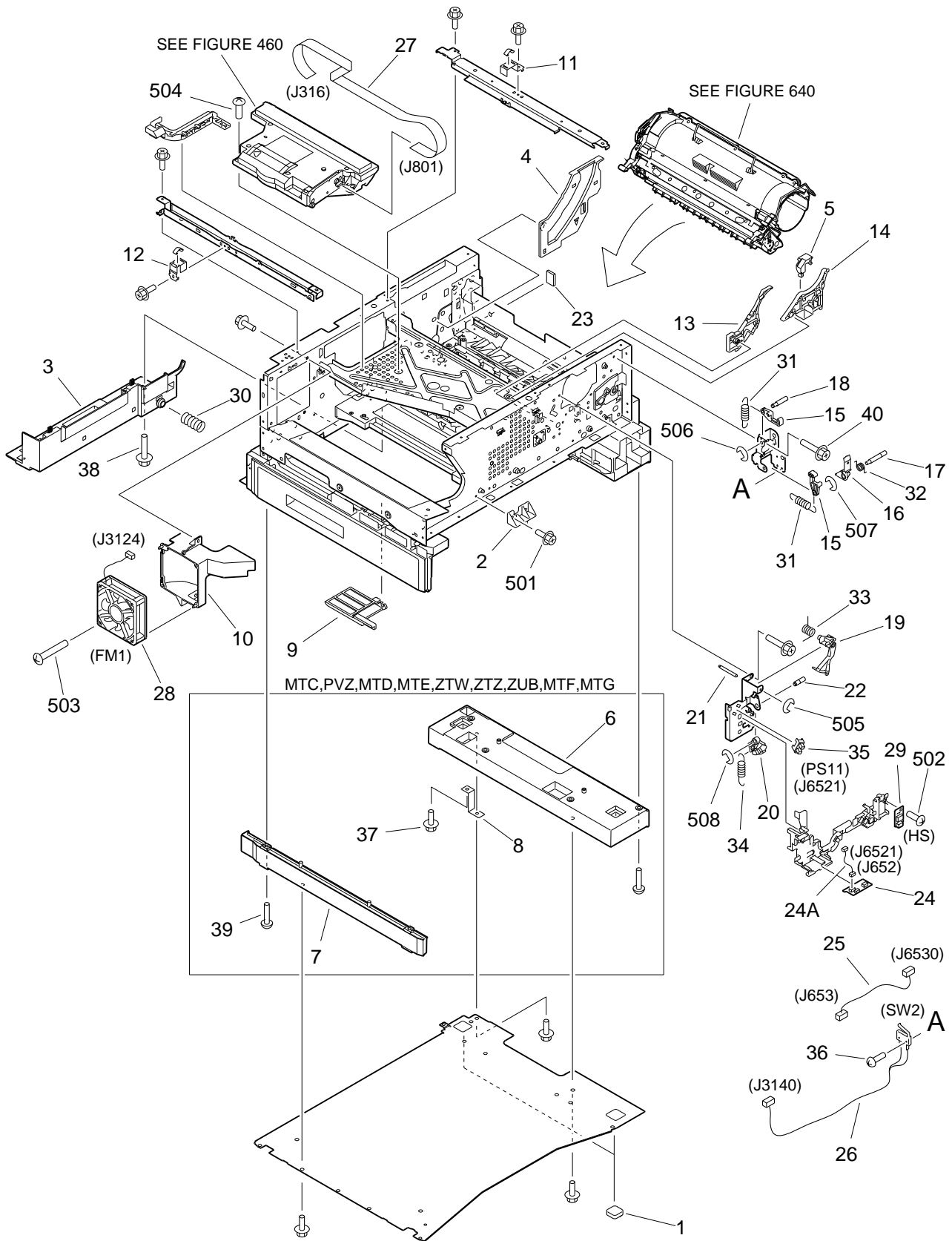


FIGURE & KEY NO.	PART NUMBER	RANK	QTY	DESCRIPTION	SERIAL NUMBER / REMARKS
102 -	NPN		RF	INTERNAL COMPONENTS 2	
1	FB2 - 5303 - 000		2	FOOT, RUBBER	
2	FB6 - 0077 - 000		1	LOCK, CASSETTE	
3	FB6 - 0086 - 000		1	PANEL, CABLE HOLDER	
4	FB6 - 0164 - 000		1	GUIDE, CARTRIDGE, REAR	
5	FB6 - 0165 - 000		1	RETAINER, SPRING	
6	FB6 - 0276 - 000		1	SUPPORT, RAIL, RIGHT	MTC,PVZ,MTD,MTE,ZTW ZTZ,ZUB,MTF,MTG
7	FB6 - 0277 - 000		1	SUPPORT, RAIL, LEFT	MTC,PVZ,MTD,MTE,ZTW ZTZ,ZUB,MTF,MTG
8	FB6 - 0278 - 000		1	PLATE, GROUNDING	MTC,PVZ,MTD,MTE,ZTW ZTZ,ZUB,MTF,MTG
9	FB6 - 0289 - 000		1	LEVER, DETECT SENSOR, 1	ZTY,QTL,UVB,UVC,UVD UVE,QTM,UVF,UVG,UVH
	FB6 - 0303 - 000		1	LEVER, DETECT SENSOR, 1	UVJ,UMA,UNA,UPA MTC,PVZ,MTD,MTE,ZTW ZTZ,ZUB,MTF,MTG
10	FB6 - 0307 - 000		1	HOLDER, FAN	
11	FB6 - 4556 - 000		1	PLATE, GROUNDING	
12	FB6 - 4557 - 000		1	PLATE, GROUNDING	
13	FB6 - 4647 - 000		1	FRONT GUIDE, CARTRIDGE, UPPER	
14	FB6 - 4648 - 000		1	FRONT GUIDE, CARTRIDGE, LOWER	
15	FB6 - 4652 - 000		2	HOOK, FRONT PANEL RELEASE	
16	FB6 - 4653 - 000		1	LEVER, FRONT PANEL DETECT	
17	FB6 - 4654 - 000		1	SHAFT, RELEASE HOOK	
18	FB6 - 4655 - 000		1	SHAFT, RELEASE HOOK	
19	FB6 - 4657 - 000		1	LEVER, TONER BOTTLE SENSOR	
20	FB6 - 4658 - 000		1	CAM, LEVER EVACUATE	
21	FB6 - 4660 - 000		1	SHAFT, SENSOR LEVER	
22	FB6 - 4661 - 000		1	SHAFT, EVACUATE CAM	
23	FC5 - 0039 - 000		1	SEAL	
24	FG6 - 9556 - 000		1	SENSOR CONNECT PCB ASSEMBLY	
24 A	FG6 - 9853 - 000		1	CABLE, TONER BOTTLE	J652,6521
25	FG6 - 9848 - 000		1	CABLE, HUMIDITY SENSOR	J653,6530
26	FG6 - 9849 - 000		1	CABLE, FRONT PANEL SWITCH	SW2 J3140

FIGURE & KEY NO.	PART NUMBER	RANK	QTY	DESCRIPTION	SERIAL NUMBER / REMARKS
102 - 27	FH2 - 6934 - 000		1	CABLE, FLAT	J316,801
28	FH6 - 1921 - 000		1	FAN	FM1 J3124
29	FH7 - 7611 - 000		1	HUMIDITY SENSOR UNIT	HS
30	FS7 - 2694 - 000		1	SPRING, COMPRESSION	
31	FS7 - 2921 - 000		2	SPRING, TENSION	
32	FS7 - 2922 - 000		1	SPRING, TORSION	
33	FS7 - 2923 - 000		1	SPRING, TORSION	
34	FS7 - 2924 - 000		1	SPRING, TENSION	
35	WG8 - 5309 - 000		1	PHOTO-INTERRUPTER	PS11 J6521
36	XA9 - 0554 - 000		1	SCREW,MACH.,TRUSS HEAD,M2.3X10	
37	XA9 - 0813 - 000		1	SCREW,RS,M3X8	MTC,PVZ,MTD,MTE,ZTW ZTZ,ZUB,MTF,MTG
38	XA9 - 0931 - 000		AR	SCREW, RS, M3X12	
39	XA9 - 0976 - 000		6	SCREW,P,M4X16	MTC,PVZ,MTD,MTE,ZTW ZTZ,ZUB,MTF,MTG
40	XA9 - 1164 - 000		AR	SCREW,RS,M3X6.5	
501	XB3 - 6300 - 800		AR	SCREW,RS,M3X8	
502	XB4 - 7401 - 009		1	SCREW,TAPPING,TRUSS HEAD,M4X10	
503	XB4 - 7403 - 509		2	SCREW,TAPPING,TRUSS HEAD,M4X35	
504	XB6 - 7300 - 807		AR	SCREW,TP,M3X8	
505	XD2 - 1100 - 202		1	RING,E	
506	XD2 - 1100 - 322		1	RING,E	
507	XD2 - 1100 - 502		1	RING,E	
508	XD2 - 1100 - 502		1	RING,E	

FIGURE 103 INTERNAL COMPONENTS 3

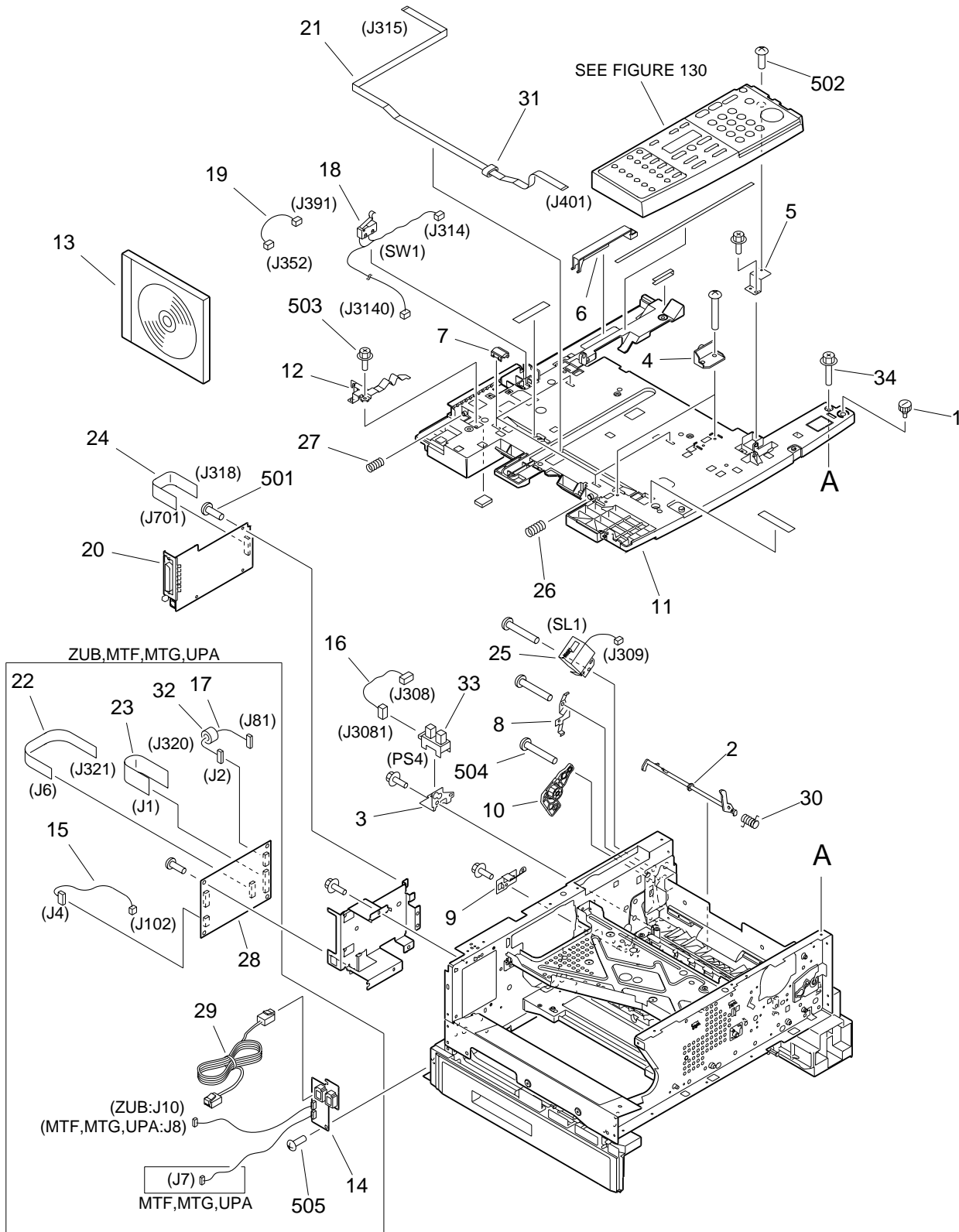


FIGURE & KEY NO.	PART NUMBER	RANK	QTY	DESCRIPTION	SERIAL NUMBER / REMARKS
103 -	NPN		RF	INTERNAL COMPONENTS 3	
1	FB2 - 5502 - 000		1	SCREW, STEPPED, M3	
2	FB6 - 0075 - 000		1	FLAG, MULTI PICK-UP SENSOR	
3	FB6 - 0076 - 000		1	SUPPORT, MULTI PICK-UP SENSOR	
4	FB6 - 0094 - 000		2	SUPPORT, READER STOP	
5	FB6 - 0147 - 000		1	PLATE, GROUNDING	
6	FB6 - 0179 - 000		1	COVER, DF CABLE	
7	FB6 - 0234 - 000		4	COLLAR, SWING	
8	FB6 - 0252 - 000		1	PLATE, GROUNDING	
9	FB6 - 0253 - 000		1	PLATE, GROUNDING	
10	FB6 - 0256 - 000		1	DAMPER GEAR UNIT	
11	FB6 - 4638 - 000		1	PANEL, UPPER	
12	FF6 - 1455 - 000		1	PLATE, GROUNDING	
13	FG3 - 3049 - 000		1	CD-ROM, USERSOFTWARE	ZTW,ZTZ,ZUB
	FG3 - 3050 - 000		1	CD-ROM, USERSOFTWARE	ZTY, MTC, PVZ, QTL, UVB UVC, UVD, UVE, MTD, MTE
					QTM, UVF, UVG, UVH, UVJ
	FG3 - 3051 - 00S		1	CD-ROM, USERSOFTWARE	UMA, UNA, UPA
	FG3 - 3052 - 000		1	CD-ROM, USERSOFTWARE	MTF, MTG
14	FG6 - 8829 - 000		1	MODULAR JACK PCB ASSEMBLY	ZUB
	FG6 - 8830 - 000		1	MODULAR JACK PCB ASSEMBLY	UPA
	FG6 - 8831 - 000		1	MODULAR JACK PCB ASSEMBLY	MTF, MTG
15	FG6 - 8840 - 000		1	CABLE, PSEUDO, CI	ZUB, MTF, MTG, UPA J4, 102
16	FG6 - 8841 - 000		1	CABLE, MULTI PICK-UP	J308, 3081
17	FG6 - 8844 - 000		1	CABLE, NCU ANALOG	ZUB, MTF, MTG, UPA J2, 81
18	FG6 - 9850 - 000		1	CABLE, READER/FRONT PANEL	SW1 J314, 3140
19	FG6 - 9854 - 000		1	CABLE, SERIAL NUMBER	J352, 391
20	FG6 - 9860 - 000		1	PRINTER CONTROLLER PCB ASS'Y	
21	FH2 - 6932 - 000		1	CABLE, FLAT	J315, 401
22	FH2 - 6935 - 000		1	CABLE, FLAT	MTF, MTG, UPA J6, 321
23	FH2 - 6936 - 000		1	CABLE, FLAT	ZUB, MTF, MTG, UPA J1, 320

FIGURE & KEY NO.	PART NUMBER	RANK	QTY	DESCRIPTION	SERIAL NUMBER / REMARKS
103 - 24	FH2 - 6937 - 000		1	CABLE, FLAT	J318,701
25	FH6 - 5038 - 000		1	SOLENOID	SL1 J309
26	FS7 - 2695 - 000		1	SPRING, COMPRESSION	
27	FS7 - 2696 - 000		1	SPRING, COMPRESSION	
28	HG1 - 4365 - 000		1	NCU PCB ASSEMBLY	ZUB
	HG5 - 2587 - 000		1	NCU PCB ASSEMBLY	UPA
	HG5 - 2598 - 000		1	NCU PCB ASSEMBLY	MTF,MTG
29	HH2 - 2824 - 000		1	CORD, MODULAR	ZUB,MTG
	HH2 - 2478 - 000		1	MODULAR CORD	MTF
30	RB2 - 2837 - 000		1	SPRING, TORSION	
31	WE8 - 5908 - 000		1	CORE, RING	
32	WE8 - 5947 - 000		1	CORE, FERRITE	ZUB,MTF,MTG,UPA
33	WG8 - 5309 - 000		1	PHOTO-INTERRUPTER	PS4 J3081
34	XA9 - 1164 - 000		AR	SCREW,RS,M3X6.5	
501	XB1 - 1300 - 807		2	SCREW,MACH.,PAN HEAD,M3X8	
502	XB2 - 7300 - 407		1	SCREW,W/WASHER,M3X4	
503	XB3 - 6300 - 800		AR	SCREW,RS,M3X8	
504	XB4 - 7401 - 009		AR	SCREW,TAPPING,TRUSS HEAD,M4X10	
505	XB6 - 7300 - 807		AR	SCREW,TP,M3X8	

FIGURE 130 CONTROL PANEL ASSEMBLY

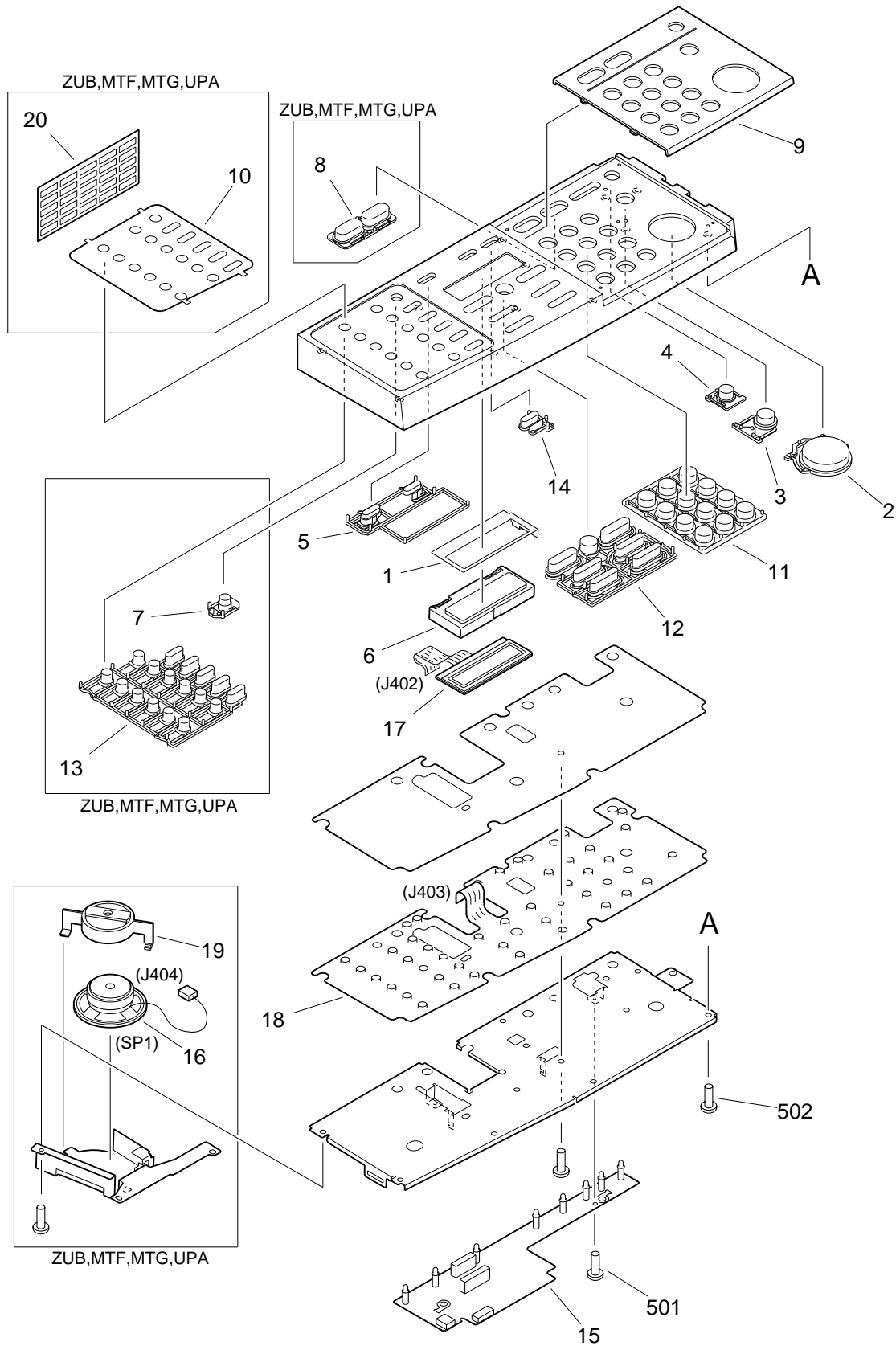


FIGURE & KEY NO.	PART NUMBER	RANK	QTY	DESCRIPTION	SERIAL NUMBER / REMARKS
130 -	FG6 - 9514 - 000		1	CONTROL PANEL ASSEMBLY	ZTW,ZTZ
	FG6 - 9516 - 000		1	CONTROL PANEL ASSEMBLY	ZTY,QTL,UVB,UVC,UVD UVE,QTM,UVF,UVG,UVH UVJ,UMA,UNA
	FG6 - 9518 - 000		1	CONTROL PANEL ASSEMBLY	MTC,PVZ,MTD,MTE
	FG6 - 9513 - 000		1	CONTROL PANEL ASSEMBLY	ZUB
	FG6 - 9515 - 000		1	CONTROL PANEL ASSEMBLY	UPA
	FG6 - 9517 - 000		1	CONTROL PANEL ASSEMBLY	MTF,MTG
1	FB6 - 0133 - 000		1	PLATE, GROUNDING	
2	FB6 - 0138 - 000		1	KEY TOP, START	
3	FB6 - 0139 - 000		1	KEY TOP, STOP	
4	FB6 - 0140 - 000		1	KEY TOP, ESS	
5	FB6 - 0141 - 000		1	KEY TOP, USER-MODE	
6	FB6 - 0145 - 000		1	CASE, LCD	
7	FB6 - 2299 - 000		1	KEY TOP, FUNCTION	ZUB,MTF,MTG,UPA
8	FB6 - 2323 - 000		1	KEY TOP, CHANGE	ZUB,MTF,MTG
9	FB6 - 2324 - 000		1	KEY TOP, CHANGE	UPA
	FB6 - 4807 - 000		1	COVER, CONTROL PANEL	ZTY,QTL,UVB,UVC,UVD UVE,QTM,UVF,UVG,UVH UVJ,UMA,UNA
	FB6 - 4805 - 000		1	COVER, CONTROL PANEL	ZTW,ZTZ,MTC,PVZ,MTD MTE
	FB6 - 4804 - 000		1	COVER, CONTROL PANEL	ZUB
10	FB6 - 4806 - 000		1	COVER, CONTROL PANEL	UPA
	FB6 - 4808 - 000		1	COVER, CONTROL PANEL	MTF,MTG
	FB6 - 4811 - 000		1	SHEET, ONE-TOUCH	ZUB
	FB6 - 4812 - 000		1	SHEET, ONE-TOUCH	MTF,MTG,UPA:ENGLISH
	FB6 - 4810 - 000		1	SHEET, ONE-TOUCH	UPA:FRENCH
11	FB6 - 4809 - 000		1	SHEET, ONE-TOUCH	UPA:GERMAN
	FB6 - 4814 - 000		1	SHEET, ONE-TOUCH	UPA:ITALIAN
	FB6 - 4815 - 000		1	KEY TOP, NUMBERS	
12	FB6 - 4816 - 000		1	KEY TOP, OK	ZTY,MTC,PVZ,QTL,UVB UVC,UVD,UVE,MTD,MTE QTM,UVF,UVG,UVH,UVJ MTF,MTG,UMA,UNA,UPA

FIGURE & KEY NO.	PART NUMBER	RANK	QTY	DESCRIPTION	SERIAL NUMBER / REMARKS
130 - 12	FB6 - 4819 - 000		1	KEY TOP, OK	ZTW,ZTZ,ZUB
13	FB6 - 4817 - 000		1	KEY TOP, ONE-TOUCH	ZUB,MTF,MTG,UPA
14	FB6 - 4818 - 000		1	KEY TOP, 2 IN 1	
15	FG6 - 8804 - 000		1	CONTROL PANEL PCB ASSEMBLY	ZUB,MTF,MTG,UPA
	FG6 - 8805 - 000		1	CONTROL PANEL PCB ASSEMBLY	EXCEPT ZUB,MTF EXCEPT MTG,UPA
16	FH5 - 3221 - 000		1	SPEAKER	ZUB,MTF,MTG,UPA SP1 J404
17	FH6 - 0813 - 000		1	LCD CONTROL PANEL UNIT	J402
18	FH7 - 6337 - 000		1	SWITCH, MEMBRANE	J403
19	HB1 - 3023 - 000		1	HOLDER, SPEAKER	ZUB,MTF,MTG,UPA
20	HB1 - 5127 - 000		1	LABEL, FAX DESTINATION	ZUB,MTF,MTG,UPA
501	XB1 - 2300 - 607		2	SCREW,MACH.,TRUSS HEAD,M3X6	
502	XB4 - 5300 - 809		10	SCREW,P,M3X8	

COPYBOARD COVER ASSEMBLY(ZTY,MTC,PVZ, QTL,UVB,UVC,UVD,UVE,ZTW,UMA)

FIGURE 160

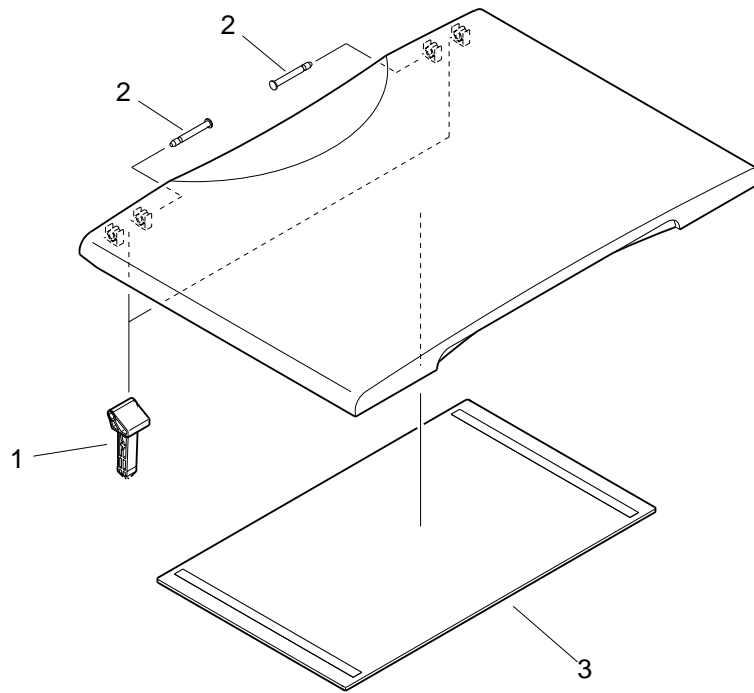
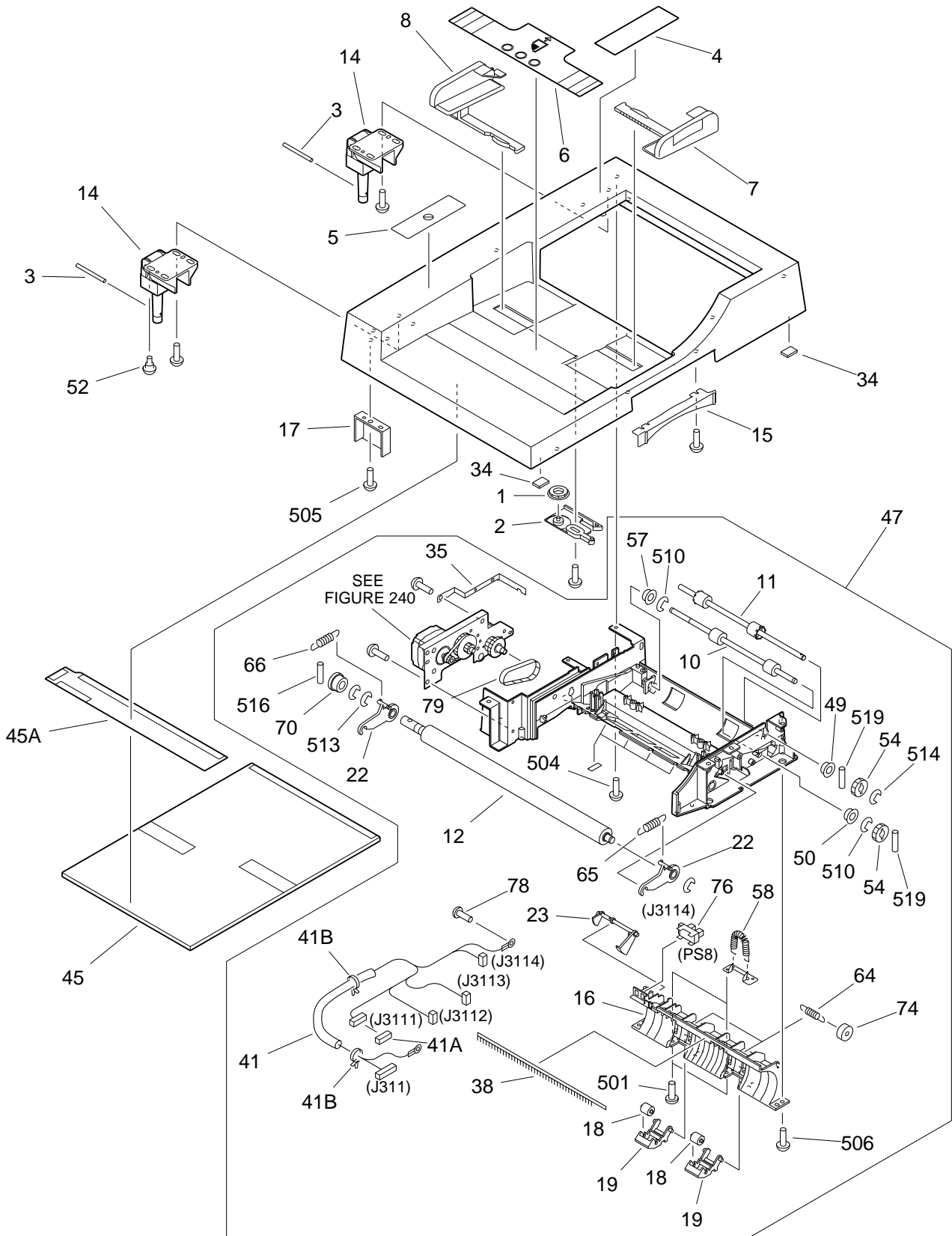


FIGURE & KEY NO.	PART NUMBER	R A N K	Q' T Y	DESCRIPTION	SERIAL NUMBER / REMARKS
160 -	FG6 - 7944 - 000		1	COPYBOARD COVER ASSEMBLY	ZTY,MTC,PVZ,QTL,UVB UVC,UVD,UVE,ZTW,UMA
1	FB6 - 0330 - 000		2	HINGE, COPYBOARD COVER	
2	FB6 - 0332 - 000		2	SHAFT, HINGE	
3	FB6 - 4237 - 000		1	SHEET, COPYBOARD	

ADF ASSEMBLY(MTD,MTE,QTM,UVF,UVG,UVH, UVJ,ZTZ,ZUB,MTF,MTG,UNA,UPA)(1/2)

FIGURE 161



ADF ASSEMBLY(MTD,MTE,QTM,UVF,UVG,UVH,
 UVJ,ZTZ,ZUB,MTF,MTG,UNA,UPA)(2/2)

FIGURE 161

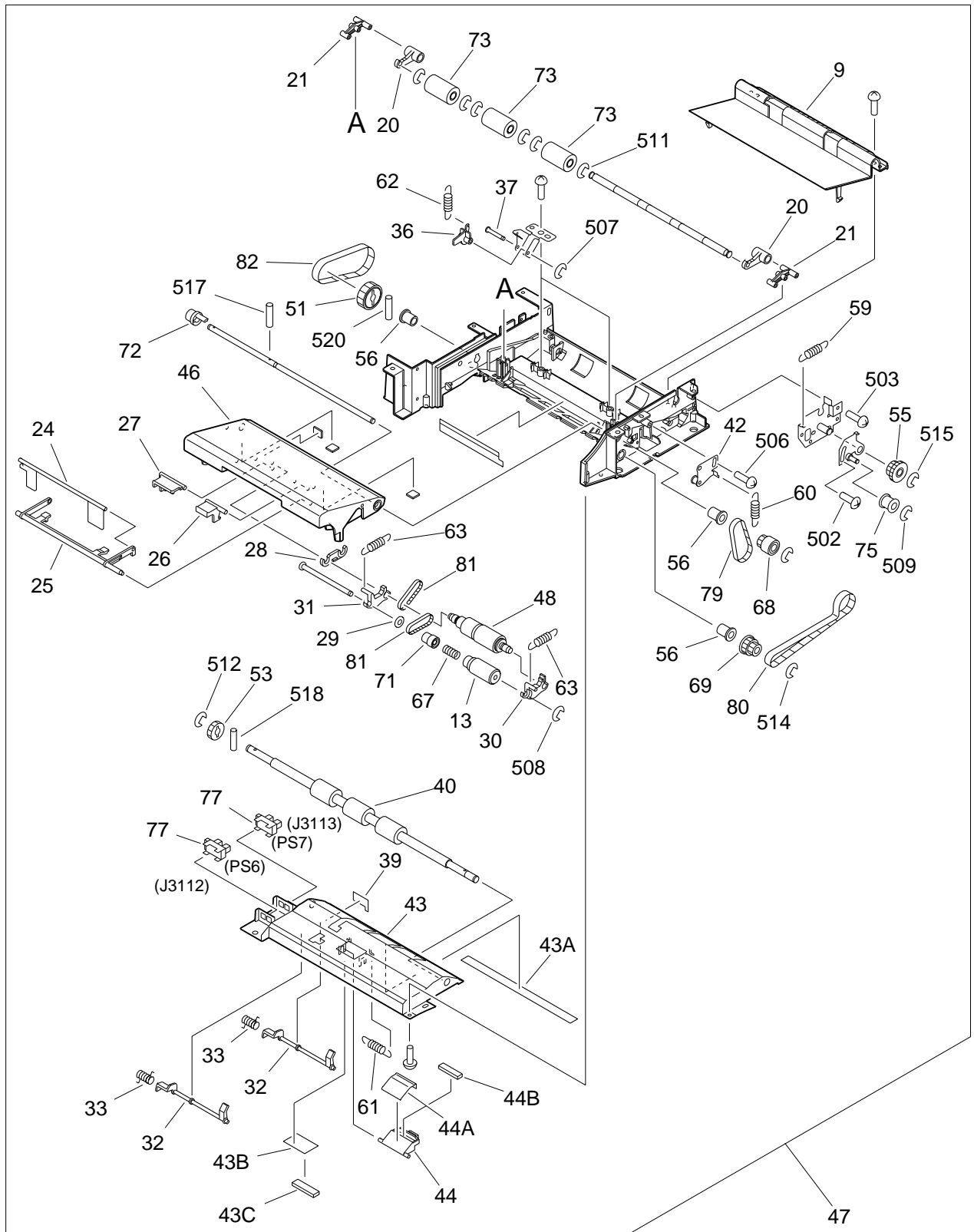


FIGURE & KEY NO.	PART NUMBER	RANK	QTY	DESCRIPTION	SERIAL NUMBER / REMARKS
161 -	NPN		RF	ADF ASSEMBLY	MTD,MTE,QTM,UVF,UVG UVH,UVJ,ZTZ,ZUB MTF,MTG,UNA,UPA
	NPN		RF	ADF ASSEMBLY	
	1	FB3 - 3395 - 000	1	GEAR, 20T	
2	FB3 - 3396 - 000		1	PLATE, SLIDE	
3	FB6 - 0187 - 000		2	PIN, FIXING, DF HINGE	
4	FB6 - 2329 - 000		1	LABEL, "COPYBOARD GLASS CLEAN"	ZTZ,ZUB
	FB6 - 2331 - 000		1	LABEL, "COPYBOARD GLASS CLEAN"	QTM,UVF,UVG,UVH,UVJ UNA,UPA
	FB6 - 2333 - 000		1	LABEL, "COPYBOARD GLASS CLEAN"	MTD,MTE,MTF,MTG
5	FB6 - 5504 - 000		1	LABEL, PROHIBITED DOCUMENTS	ZTZ,ZUB
	FB6 - 5506 - 000		1	LABEL, PROHIBITED DOCUMENTS	QTM,UVF,UVG,UVH,UVJ UNA,UPA
	FB6 - 5507 - 000		1	LABEL, PROHIBITED DOCUMENTS	MTD,MTE,MTF,MTG
6	FB6 - 5514 - 000		1	LABEL, "PAPER SIZE"	ZTZ,ZUB
	FB6 - 5515 - 000		1	LABEL, "PAPER SIZE"	QTM,UVF,UVG,UVH,UVJ
	FB6 - 5516 - 000		1	LABEL, "PAPER SIZE"	MTD,MTE,MTF,MTG
	FB6 - 2330 - 000		1	LABEL, "PAPER SIZE"	UNA,UPA
7	FC5 - 0002 - 000		1	GUIDE, SIDE, FRONT	
8	FC5 - 0003 - 000		1	GUIDE, SIDE, REAR	
9	FC5 - 0004 - 000		1	TRAY, PAPER DELIVERY	
10	FC5 - 0005 - 000		1	ROLLER, PAPER FEED	
11	FC5 - 0006 - 000		1	ROLLER, PAPER DELIVERY	
12	FC5 - 0007 - 000		1	ROLLER, WHITE	
13	FC5 - 0009 - 000		1	ROLLER, PICK-UP	
14	FC5 - 0011 - 000		2	HINGE UNIT	
15	FC5 - 0013 - 000		1	HANDLE	
16	FC5 - 0014 - 000		1	GUIDE, DELIVERY, EXTERNAL	
17	FC5 - 0018 - 000		1	HOLDER, DF DETECT SENSOR	
18	FC5 - 0019 - 000		2	COLLAR, PAPER FEED	
19	FC5 - 0020 - 000		2	HOLDER, PAPER FEED COLLAR	
20	FC5 - 0021 - 000		2	ARM, REGIST. PRESSURE RELEASE	
21	FC5 - 0022 - 000		2	LINK, REGIST. PRESSURE RELEASE	

FIGURE & KEY NO.	PART NUMBER	R A N K	Q' T Y	DESCRIPTION	SERIAL NUMBER / REMARKS
161 - 22	FC5 - 0023 - 020		2	ARM, SWING	
23	FC5 - 0024 - 000		1	FLAG, DELIVERY SENSOR	
24	FC5 - 0025 - 000		1	SHUTTER	
25	FC5 - 0026 - 000		1	LINK, SHUTTER, 1	
26	FC5 - 0027 - 000		1	LINK, SHUTTER, 2	
27	FC5 - 0028 - 000		1	LINK, SHUTTER, 3	
28	FC5 - 0029 - 000		1	ARM, ROLLER SEPARATION	
29	FC5 - 0034 - 000		1	PAD	
30	FC5 - 0035 - 000		1	ARM, PAPER PICK-UP, FRONT	
31	FC5 - 0036 - 000		1	ARM, PAPER PICK-UP, REAR	
32	FC5 - 0037 - 000		2	FLAG, PAPER PICK-UP SENSOR	
33	FC5 - 0038 - 000		2	SPRING, TORSION	
34	FC5 - 0039 - 000		3	SEAL	
35	FC5 - 0047 - 000		1	PLATE, GROUNDING	
36	FC5 - 0052 - 000		2	ARM, REGIST COLLAR PRESSURE	
37	FC5 - 0054 - 000		2	SHAFT, REGIST PRESSURE ARM	
38	FC5 - 0057 - 000		1	ELIMINATOR, STATIC CHARGE	
39	FC5 - 0066 - 000		1	SHEET, PAPER PICK-UP SENSOR	
40	FC5 - 0070 - 000		1	ROLLER, REGISTRATION	
41	FG6 - 8836 - 000		1	CABLE, ADF	J311,3111-3114
41 A	VS1 - 5057 - 006		1	CONNECTOR, SNAP TIGHT	J3111
41 B	WT2 - 5565 - 000		2	CLAMP, CABLE	
42	FL2 - 0004 - 000		1	ARM, TENSION	
43	FL2 - 0005 - 000		1	GUIDE, REGISTRATION LOWER	
43 A	FC5 - 0060 - 000		1	SHEET, REGIST. LOWER GUIDE	
43 B	FC5 - 0063 - 000		1	SHEET, PICK-UP	
43 C	FC5 - 0064 - 000		1	PAD, PICK-UP	
44	FL2 - 0006 - 000		1	PAD MOUNT UNIT	
44 A	FC5 - 0042 - 000		1	PAD, RUBBER	
44 B	FC5 - 0044 - 000		1	PAD, SPONGE	

FIGURE & KEY NO.	PART NUMBER	RANK	QTY	DESCRIPTION	SERIAL NUMBER / REMARKS
161 - 45	FL2 - 0007 - 000		1	WHITE SHEET UNIT	
45 A	FC5 - 0061 - 000		1	SHEET, A	
46	FL2 - 0008 - 000		1	PANEL, OPEN/CLOSE	
47	FM2 - 0002 - 030	N	1	FRAME, FEEDER ASSEMBLY	
48	FM2 - 0015 - 000		1	SEPARATION ROLLER UNIT	
49	FS1 - 1512 - 000		2	BUSHING	
50	FS1 - 1569 - 000		1	BUSHING	
51	FS2 - 3511 - 000		1	PULLEY, 25T	
52	FS5 - 9740 - 000		1	SCREW, STEPPED, M4	
53	FU5 - 0001 - 000		1	GEAR, 18T	
54	FU5 - 0001 - 000		2	GEAR, 18T	
55	FU5 - 0002 - 000		1	GEAR, 30T/PULLEY 30T	
56	FU5 - 1001 - 000		3	BUSHING	
57	FU5 - 1002 - 000		1	BUSHING	
58	FU5 - 2001 - 000		2	SPRING, TENSION	
59	FU5 - 2002 - 000		1	SPRING, TENSION	
60	FU5 - 2003 - 000		1	SPRING, TENSION	
61	FU5 - 2004 - 000		1	SPRING, TENSION	
62	FU5 - 2005 - 000		2	SPRING, TENSION	
63	FU5 - 2006 - 000		2	SPRING, TENSION	
64	FU5 - 2007 - 000		2	SPRING, TENSION	
65	FU5 - 2008 - 000		1	SPRING, TENSION	
66	FU5 - 2009 - 000		1	SPRING, TENSION	
67	FU5 - 2010 - 000		1	SPRING, COMPRESSION	
68	FU5 - 3001 - 000		1	PULLEY, 18T	
69	FU5 - 3002 - 000		1	PULLEY, 18T/24T	
70	FU5 - 3003 - 000		1	PULLEY, 18T	
71	FU5 - 3006 - 000		1	PULLEY, 14T	
72	FU5 - 3007 - 000		1	PULLEY, 16T	
73	FU5 - 6001 - 000		3	COLLAR, REGISTRATION	

FIGURE & KEY NO.	PART NUMBER	RANK	QTY	DESCRIPTION	SERIAL NUMBER / REMARKS
161 - 74	FU5 - 6002 - 000		2	COLLAR, PAPER DELIVERY	
75	FU5 - 6003 - 000		1	COLLAR, BELT IDLER	
76	WG8 - 5362 - 000		1	PHOTO-INTERRUPTER	PS8 J3114
77	WG8 - 5362 - 000		2	PHOTO-INTERRUPTER	PS6,7 J3112,3113
78	XA9 - 0265 - 000		1	SCREW,W/WASHER,TRUSS HEAD	
79	XF2 - 1605 - 240		2	BELT, TIMING	
80	XF2 - 1611 - 240		1	BELT, TIMING	
81	XF9 - 0404 - 000		2	BELT, COGGED DRIVE, 71T	
82	XF9 - 0525 - 000		1	BELT, TIMING, 59T	
501	XB1 - 2300 - 607		2	SCREW,MACH.,TRUSS HEAD,M3X6	
502	XB1 - 2400 - 609		1	SCREW,MACH.,TRUSS HEAD,M4X6	
503	XB4 - 5300 - 809		2	SCREW,P,M3X8	
504	XB4 - 5401 - 007		4	SCREW,P,M4X10	
505	XB4 - 5401 - 007		11	SCREW,P,M4X10	
506	XB4 - 5401 - 007		12	SCREW,P,M4X10	
507	XD2 - 1100 - 242		2	RING,E	
508	XD2 - 1100 - 322		1	RING,E	
509	XD2 - 1100 - 402		1	RING,E	
510	XD2 - 1100 - 402		3	RING,E	
511	XD2 - 1100 - 502		6	RING,E	
512	XD2 - 1100 - 502		1	RING,E	
513	XD2 - 1100 - 502		3	RING,E	
514	XD2 - 1100 - 502		5	RING,E	
515	XD2 - 1100 - 642		1	RING,E	
516	XD3 - 2200 - 082		1	PIN,DOWEL	
517	XD3 - 2200 - 102		1	PIN,DOWEL	
518	XD3 - 2200 - 102		1	PIN,DOWEL	
519	XD3 - 2200 - 102		3	PIN,DOWEL	
520	XD3 - 2200 - 122		1	PIN,DOWEL	

FIGURE 210 READER ASSEMBLY

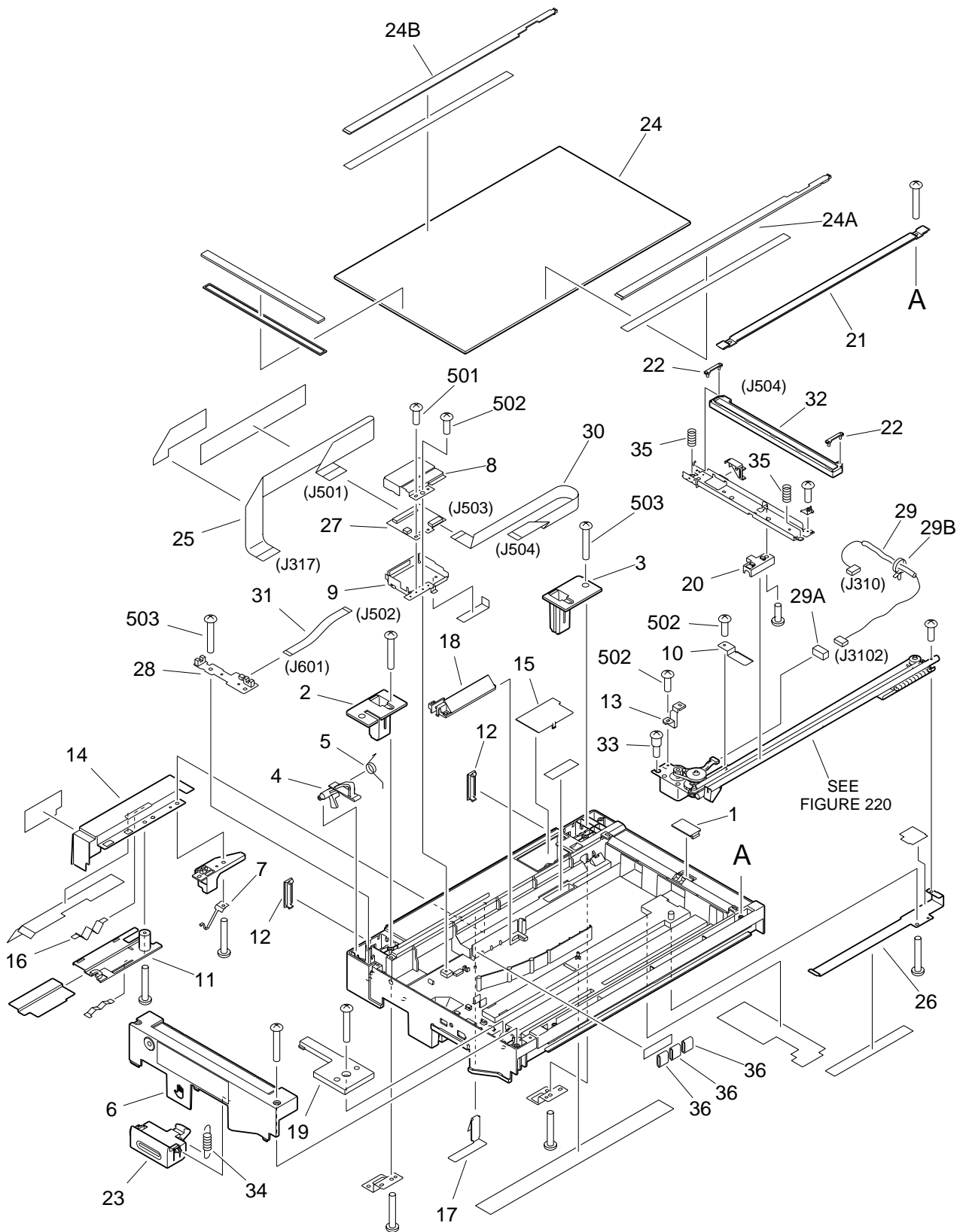


FIGURE & KEY NO.	PART NUMBER	RANK	QTY	DESCRIPTION	SERIAL NUMBER / REMARKS
210 -	NPN		RF	READER ASSEMBLY	
1	FB6 - 0171 - 000		1	COVER, BLANKING, SMALL	
2	FB6 - 0172 - 000		1	MOUNT, DF, LEFT	
3	FB6 - 0173 - 000		1	MOUNT, DF, RIGHT	
4	FB6 - 0176 - 000		1	FLAG, SENSOR	
5	FB6 - 0177 - 000		1	SPRING, TORSION	
6	FB6 - 0181 - 000		1	GUIDE, DOCUMENT STOP	
7	FB6 - 0182 - 000		1	SPRING, LEAF	
8	FB6 - 0183 - 000		1	SHIELD, UPPER	
9	FB6 - 0184 - 000		1	SHIELD, LOWER	
10	FB6 - 0185 - 000		1	PLATE, GROUNDING, LEFT	
11	FB6 - 0189 - 000		1	REAR COVER, LOWER	
12	FB6 - 0191 - 000		2	COVER, REAR	
13	FB6 - 0197 - 000		1	PLATE, GROUNDING	
14	FB6 - 0198 - 000		1	COVER, SHIELD	
15	FB6 - 0204 - 000		1	COVER, BLANKING	ZTY,MTC,PVZ,QLT,UVB UVC,UVD,UVE,ZTW
	FB6 - 0178 - 000		1	COVER, READER	MTD,MTE,QTM,UVF,UVG UVH,UVJ,ZTZ,ZUB
16	FB6 - 0208 - 000		1	SPRING, LEAF	
17	FB6 - 0210 - 000		1	SPRING, LEAF	
18	FB6 - 0211 - 000		1	GUIDE, PRESS DOWN	
19	FB6 - 0212 - 000		1	GUIDE, PRESS DOWN	
20	FB6 - 0224 - 000		1	BLOCK, SLIDE	
21	FB6 - 0229 - 000		1	COVER, FRONT	
22	FB6 - 0237 - 000		2	SPACER	
23	FB6 - 0324 - 000		1	LEVER, READER	
24	FF6 - 1435 - 000		1	GLASS, COPYBOARD	
24 A	FB6 - 0202 - 000		1	GUIDE, POSITIONING, FRONT	
24 B	FB6 - 0203 - 000		1	GUIDE, POSITIONING, REAR	
25	FF6 - 1443 - 000		1	CABLE, FLAT	J317,501
26	FF6 - 1456 - 000		1	PLATE, GROUNDING, RIGHT	

FIGURE & KEY NO.	PART NUMBER	RANK	QTY	DESCRIPTION	SERIAL NUMBER / REMARKS
210 - 27	FG6 - 8800 - 000		1	ANALOG PROCESSOR PCB ASSEMBLY	
28	FG6 - 8801 - 000		1	SENSOR PCB ASSEMBLY	
29	FG6 - 8839 - 000		1	CABLE, READER MOTOR CONNECTING	J310,3102
29A	VS1 - 5057 - 004		1	CONNECTOR, SNAP TIGHT	J3102
29B	WT2 - 5565 - 000		1	CLAMP, CABLE	
30	FH2 - 6929 - 000		1	CABLE, FLAT	J503,504
31	FH2 - 6931 - 000		1	CABLE, FLAT	J502,601
32	FH7 - 7565 - 000		1	CONTACT IMAGE SENSOR UNIT	J504
33	FS5 - 9740 - 000		1	SCREW, STEPPED, M4	
34	FS7 - 2687 - 000		1	SPRING, TENSION	
35	FS7 - 2698 - 000		2	SPRING, COMPRESSION	
36	WE8 - 5885 - 000		3	CORE, FERRITE	
501	XB1 - 2300 - 607		2	SCREW, MACH., TRUSS HEAD, M3X6	
502	XB1 - 2300 - 607		5	SCREW, MACH., TRUSS HEAD, M3X6	
503	XB4 - 5401 - 007		20	SCREW, P, M4X10	

FIGURE 220 READER DRIVE ASSEMBLY

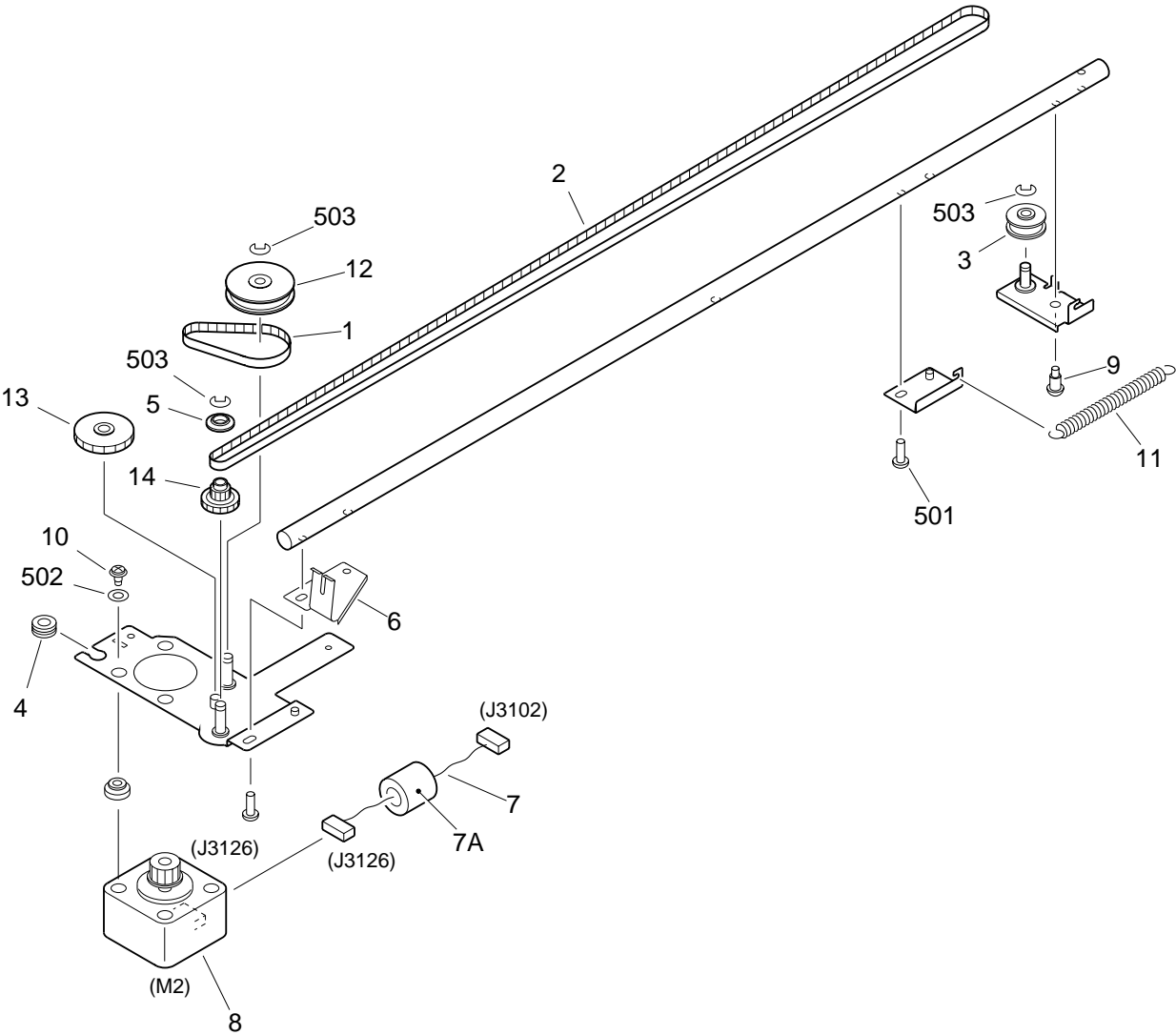


FIGURE & KEY NO.	PART NUMBER	RANK	QTY	DESCRIPTION	SERIAL NUMBER / REMARKS
220 -	FG6 - 7933 - 000		1	READER DRIVE ASSEMBLY	
1	FB6 - 0214 - 000		1	BELT, MOTOR DRIVE	
2	FB6 - 0215 - 000		1	BELT, TIMING	
3	FB6 - 0216 - 000		1	PULLEY, 20T	
4	FB6 - 0219 - 000		1	GROMMET	
5	FB6 - 0233 - 000		1	FLANGE	
6	FB6 - 0235 - 000		1	SPRING, LEAF	
7	FG6 - 8550 - 000		1	CABLE, READER MOTOR	J3102,3126
7 A	WE8 - 5941 - 000		1	CORE, FERRITE	
8	FH6 - 1922 - 000		1	MOTOR, STEPPING	M2 J3126
9	FS2 - 9478 - 000		1	SCREW, STEPPED, M3X3	
10	FS5 - 9739 - 000		3	SCREW, STEPPED, M3	
11	FS7 - 2701 - 000		1	SPRING, TENSION	
12	FU3 - 0075 - 000		1	PULLEY, 37T/GRAR, 16T	
13	FU3 - 0076 - 000		1	GEAR, 45T	
14	FU3 - 0107 - 000		1	PULLEY, 13T/GEAR, 28T	
501	XB6 - 7300 - 607		2	SCREW, TP, M3X6	
502	XD1 - 1104 - 131		3	SHIM	
503	XD2 - 1100 - 322		3	RING, E	

ADF DRIVE ASSEMBLY(MTD,MTE,QTM,UVF,UVG, UVH,UVJ,ZTZ,ZUB,MTF,MTG,UNA,UPA)

FIGURE 240

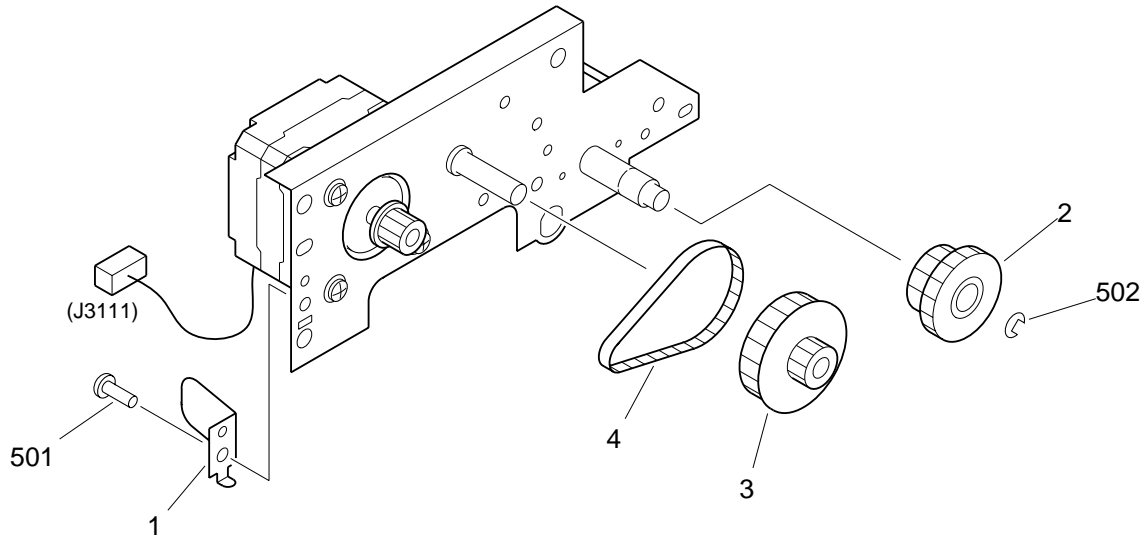


FIGURE & KEY NO.	PART NUMBER	RANK	QTY	DESCRIPTION	SERIAL NUMBER / REMARKS
240 -	FM2 - 0004 - 000		1	ADF DRIVE ASSEMBLY	MTD,MTE,QTM,UVF,UVG UVH,UVJ,ZTZ,ZUB,MTF MTG,UNA,UPA
1	FC5 - 0065 - 000		1	SPRING, LEAF	
2	FU5 - 0002 - 000		1	GEAR, 30T/PULLEY 30T	
3	FU5 - 3004 - 000		1	PULLEY, 20T/48T	
4	XF2 - 1606 - 440		1	BELT, TIMING	
501	XB2 - 7300 - 407		1	SCREW,W/WASHER,M3X4	
502	XD2 - 1100 - 642		1	RING,E	

FIGURE & KEY NO.	PART NUMBER	RANK	QTY	DESCRIPTION	SERIAL NUMBER / REMARKS
250 -	FG6 - 7923 - 000		1	MAIN DRIVE ASSEMBLY	
1	FB6 - 0321 - 000		1	COVER, GEAR	
2	FB6 - 4573 - 000		1	SPRING, LEAF	
3	FB6 - 5519 - 000		1	PLATE, SPRING	
4	FG6 - 7924 - 000		1	SWING GEAR UNIT	
5	FG6 - 8834 - 000		1	CABLE, MOTOR/FAN	J312,3121,3123,3124
5 A	VS1 - 5057 - 003		1	CONNECTOR, SNAP TIGHT	J3124
6	FH6 - 1923 - 000		1	MOTOR, DC BRUSHLESS	M1 J3123
7	FU3 - 0068 - 000		1	GEAR, 14T/28T	
8	FU3 - 0069 - 000		1	GEAR ,28T	
9	FU3 - 0070 - 000		1	GEAR, 36T	
10	RB2 - 2935 - 000		1	SHAFT, COUPLING	
11	RB2 - 2936 - 000		1	BUSHING	
12	RB2 - 2943 - 000		1	PIN	
13	RB2 - 2947 - 000		1	HOLDER, PIN	
14	RB2 - 2949 - 000		1	WASHER	
15	RB2 - 2950 - 000		1	FLANGE, SPRING	
16	RG9 - 1473 - 000		1	COUPLING ASS'Y	
17	RS6 - 0446 - 000		1	GEAR, 201T	
18	RS6 - 0447 - 000		1	GEAR, 58T/92T	
19	RS6 - 0448 - 000		1	GEAR, 17T/68T	
20	RS6 - 0449 - 000		1	GEAR, 25T/41T	
21	RS6 - 0450 - 000		1	GEAR, 31T	
22	RS6 - 2027 - 020		1	SPRING, COMPRESSION	
23	RS6 - 2031 - 000		1	SPRING, COMPRESSION	
24	XA9 - 1164 - 000		3	SCREW,RS,M3X6.5	
501	XB1 - 2300 - 607		5	SCREW,MACH.,TRUSS HEAD,M3X6	
502	XB2 - 7300 - 407		1	SCREW,W/WASHER,M3X4	

FIGURE 300 CASSETTE(ZTY)

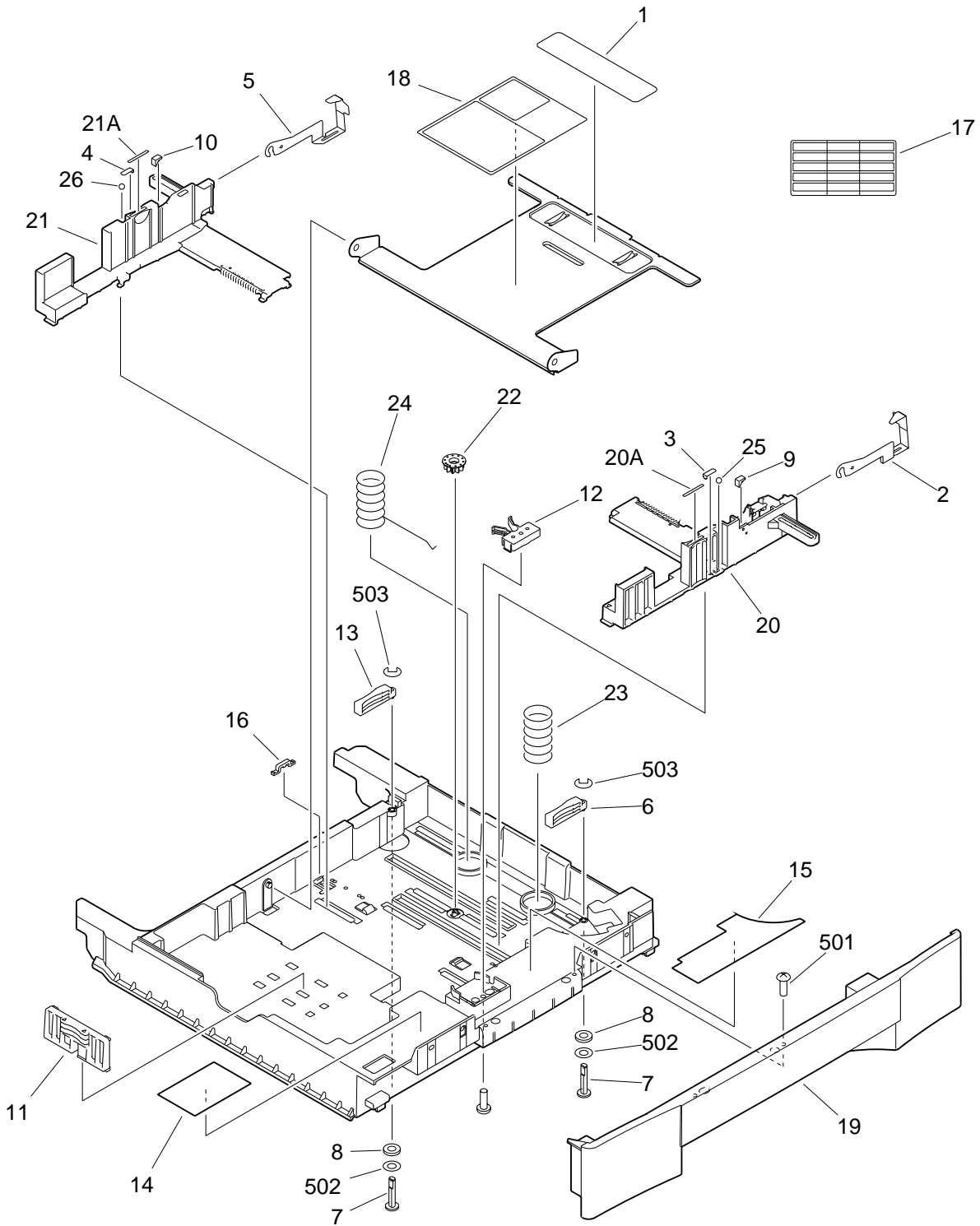


FIGURE & KEY NO.	PART NUMBER	RANK	QTY	DESCRIPTION	SERIAL NUMBER / REMARKS
300 -	NPN		1	CASSETTE	ZTY
1	FB5 - 0159 - 000		1	SHEET, SEPARATION	
2	FB5 - 0161 - 000		1	CLAW, SEPARATION, FRONT	
3	FB5 - 0165 - 000		1	SPRING, LEAF	
4	FB5 - 0165 - 000		1	SPRING, LEAF	
5	FB5 - 0167 - 000		1	CLAW, SEPARATION, REAR	
6	FB5 - 0168 - 000		1	LEVER, SIDE PLATE LOCK, FRONT	
7	FB5 - 0169 - 000		2	SHAFT, LOCK LEVER	
8	FB5 - 0170 - 000		2	PAD, RUBBER	
9	FB5 - 0171 - 000		1	SUPPORT, CLAW	
10	FB5 - 0171 - 000		1	SUPPORT, CLAW	
11	FB5 - 0172 - 000		1	PLATE, END SIDE LIMIT	
12	FB5 - 0173 - 000		1	GUIDE, POSITIONING	
13	FB5 - 0175 - 000		1	LEVER, SIDE PLATE LOCK, REAR	
14	FB5 - 0176 - 000		1	LABEL, PAPER INSTRUCTION	
15	FB5 - 0177 - 000		1	LABEL, SIZE CHANGE INSTRUCTION	
16	FB5 - 0180 - 000		1	SUPPORT, STOP	
17	FB5 - 0181 - 000		1	LABEL, SIZE CHANGE	
18	FB6 - 0263 - 000		1	LABEL, LIFTING, SIZE CHANGE	
19	FB6 - 0328 - 000		1	PANEL, CASSETTE, FRONT	
20	FF5 - 9034 - 000		1	PLATE, SIDE LIMIT, FRONT	
20 A	FB5 - 0178 - 000		1	LABEL, SIDE PLATE OPERATION	
21	FF5 - 9035 - 000		1	PLATE, SIDE LIMIT, REAR	
21 A	FB5 - 0178 - 000		1	LABEL, SIDE PLATE OPERATION	
22	FS7 - 0457 - 000		1	GEAR, 10T	
23	FS7 - 2201 - 000		1	SPRING, COMPRESSION	
24	FS7 - 2202 - 000		1	SPRING, COMPRESSION	
25	X71 - 7503 - 000		1	BALL, SLIDE CLICK FEELING	
26	X71 - 7503 - 000		1	BALL, SLIDE CLICK FEELING	
501	XB4 - 7400 - 809		3	SCREW, TAPPING, TRUSS HEAD, M4X8	

FIGURE & KEY NO.	PART NUMBER	R A N K	Q' T Y	DESCRIPTION	SERIAL NUMBER / REMARKS
300 - 502	XD1 - 1104 - 635		2	SHIM	
503	XD2 - 1200 - 202		2	RING,E	

FIGURE 301 CASSETTE(QTL,UVB,UVC,UVD,UVE,QTM,UVF,UVG UVH,UVJ,UMA,UNA,UPA)

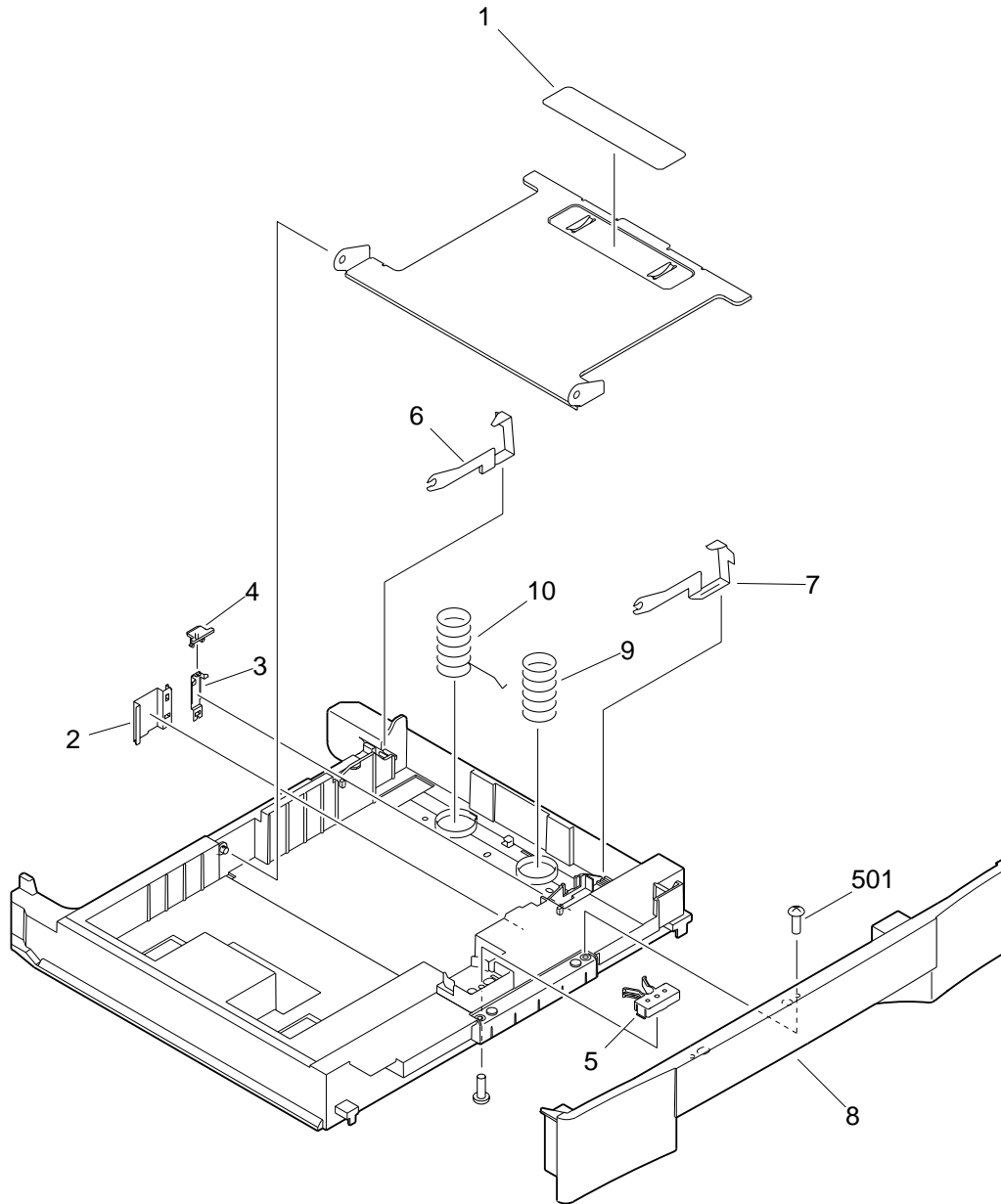


FIGURE & KEY NO.	PART NUMBER	RANK	QTY	DESCRIPTION	SERIAL NUMBER / REMARKS
301 -	NPN		RF	CASSETTE	QTL,UVB,UVC,UVD,UVE QTM,UVF,UVG,UVH,UVJ UMA,UNA,UPA
1	FB5 - 0159 - 000		1	SHEET, SEPARATION	
2	FB5 - 0162 - 000		1	SPRING, LEAF	
3	FB5 - 0163 - 000		1	SPRING, LEAF	
4	FB5 - 0164 - 000		1	RETAINER, SIDE	
5	FB5 - 0173 - 000		1	GUIDE, POSITIONING	
6	FB5 - 2843 - 00S		1	CLAW, SEPARATION, FRONT	
7	FB5 - 2844 - 00S		1	CLAW, SEPARATION, REAR	
8	FB6 - 0328 - 000		1	PANEL, CASSETTE, FRONT	
9	FS7 - 2201 - 000		1	SPRING, COMPRESSION	
10	FS7 - 2202 - 000		1	SPRING, COMPRESSION	
501	XB4 - 7400 - 809		3	SCREW,TAPPING,TRUSS HEAD,M4X8	

CASSETTE

FIGURE 302 (MTC,PVZ,MTD,MTE,ZTW,ZTZ,ZUB,MTF,MTG)

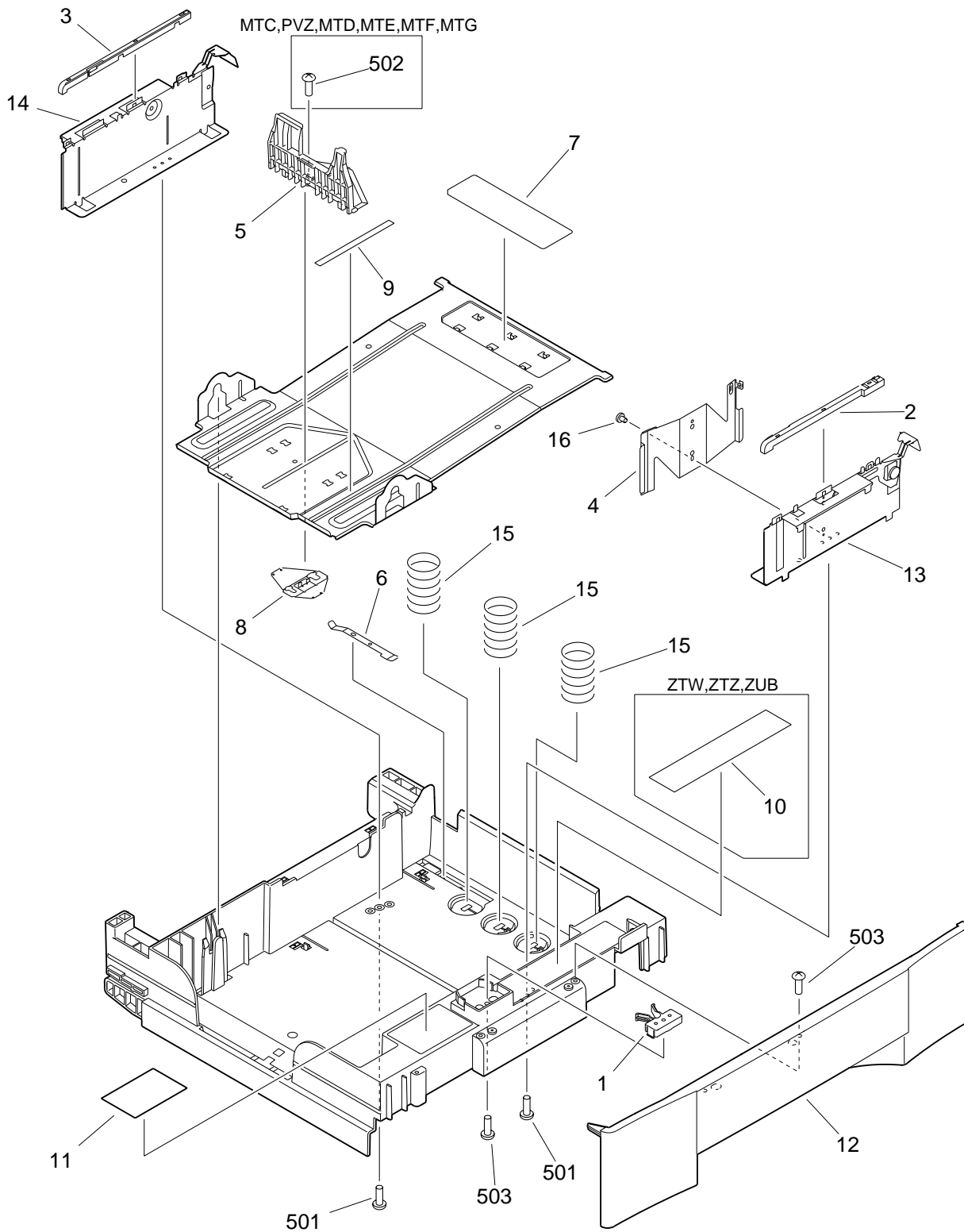
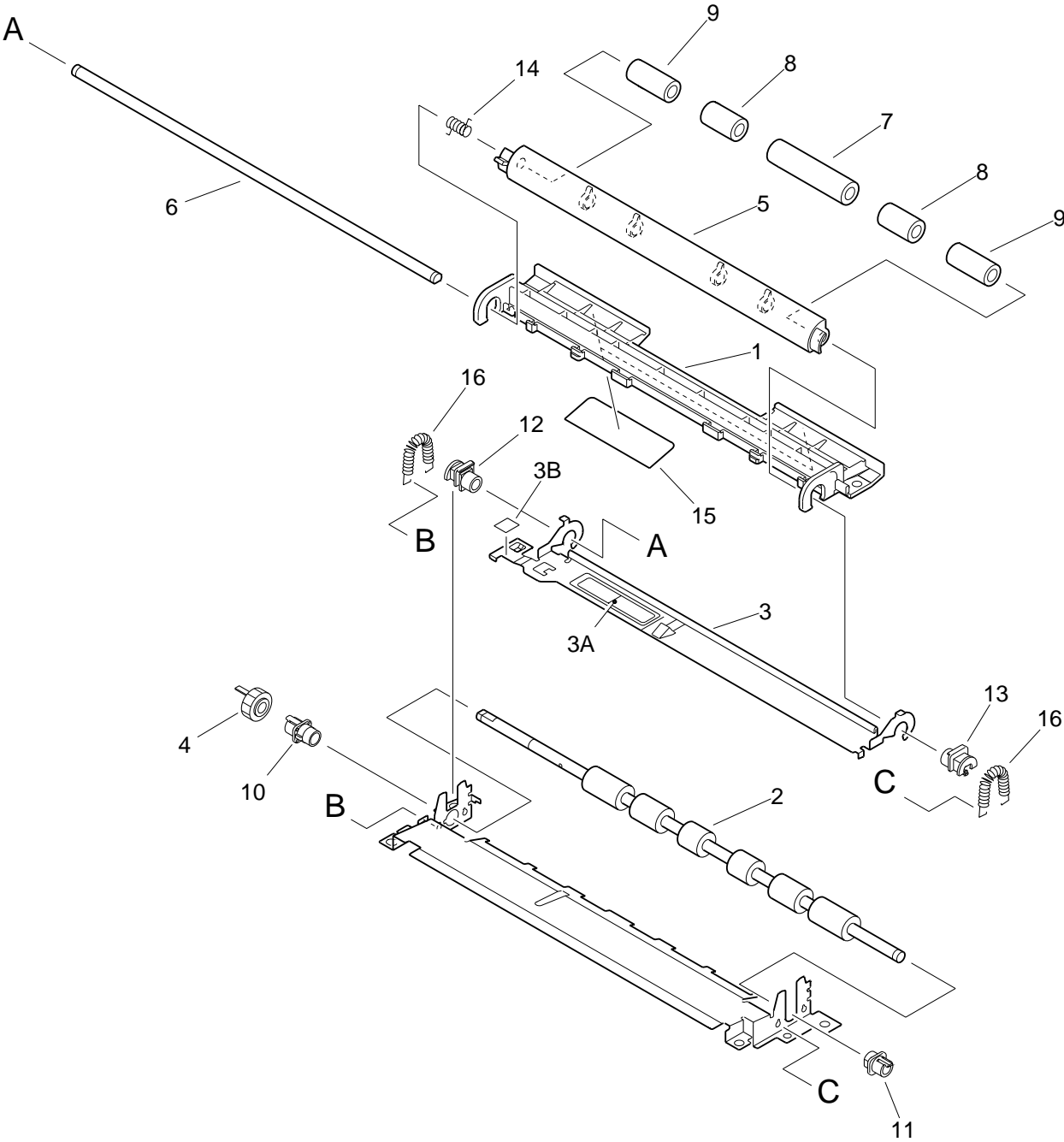


FIGURE & KEY NO.	PART NUMBER	RANK	QTY	DESCRIPTION	SERIAL NUMBER / REMARKS
302 -	NPN		RF	CASSETTE	MTC,PVZ,MTD,MTE,ZTW ZTZ,ZUB,MTF,MTG
1	FB5 - 0173 - 000		1	GUIDE, POSITIONING	
2	FB5 - 0218 - 000		1	COVER, LIMIT PLATE, FRONT	
3	FB5 - 0219 - 000		1	COVER, LIMIT PLATE, REAR	
4	FB5 - 0220 - 000		1	SPRING, LEAF, SIDE LIMIT	
5	FB5 - 0221 - 000		1	PLATE, END SIDE LIMIT	
6	FB5 - 0222 - 000		1	SPRING, LEAF	
7	FB5 - 0229 - 000		1	SHEET, SEPARATION	
8	FB5 - 0230 - 000		1	SPRING, LEAF, END LIMIT	
9	FB5 - 0231 - 000		1	LABEL, PAPER SIZE	
10	FB5 - 0232 - 000		1	LABEL, END LIMIT	ZTW,ZTZ,ZUB
11	FB5 - 0233 - 000	N	1	LABEL, PAPER SET	MTC,PVZ,MTD,MTE,MTF MTG
	FB5 - 0234 - 000	N	1	LABEL, PAPER SET	ZTW,ZTZ,ZUB
12	FB6 - 0329 - 000		1	PANEL, CASSETTE, FRONT	
13	FF5 - 9073 - 000		1	PLATE, SIDE LIMIT, FRONT	
14	FF5 - 9074 - 000		1	PLATE, SIDE LIMIT, REAR	
15	FS7 - 2211 - 000		3	SPRING, COMPRESSION	
16	XA9 - 0903 - 000		2	SCREW,M3X5	
501	XB1 - 2300 - 809		2	SCREW,MACH.,TRUSS HEAD,M3X8	
502	XB4 - 7300 - 505		1	SCREW,TAPPING,TRUSS HEAD,M3X5	MTC,PVZ,MTD,MTE,MTF MTG
503	XB4 - 7400 - 809		4	SCREW,TAPPING,TRUSS HEAD,M4X8	

FIGURE 320 REGISTRATION ASSEMBLY



NOTE: This assembly does not include the part shown with key No.4.

FIGURE & KEY NO.	PART NUMBER	RANK	QTY	DESCRIPTION	SERIAL NUMBER / REMARKS
320 -	FG6 - 7926 - 000		1	REGISTRATION ASSEMBLY	
1	FB6 - 0160 - 000		1	GUIDE, REGISTRATION FRONT	
2	FB6 - 5512 - 000		1	ROLLER, REGISTRATION	
3	FF6 - 1441 - 000		1	GUIDE, TRANSFER, UPPER	
3 A	FB6 - 2302 - 000		1	LABEL, JAM	
3 B	RB2 - 2923 - 000		1	LABEL, TRANSFER GUIDE	
4	FU3 - 0071 - 000		1	GEAR, 14T	SEE NOTE
5	RB2 - 2909 - 000		1	SHUTTER, REGISTRATION	
6	RB2 - 2910 - 000		1	SHAFT, REGISTRATION ROLLER	
7	RB2 - 2911 - 000		1	ROLLER	
8	RB2 - 2912 - 000		2	ROLLER	
9	RB2 - 2913 - 000		2	ROLLER	
10	RB2 - 2918 - 000		1	BUSHING, RIGHT	
11	RB2 - 2919 - 000		1	BUSHING, LEFT	
12	RB2 - 2920 - 000		1	BUSHING	
13	RB2 - 2921 - 000		1	BUSHING	
14	RB2 - 2922 - 000		1	SPRING, TORSION	
15	RB2 - 2933 - 000		2	SHEET, REGISTRATION FRONT	
16	RS6 - 2026 - 000		2	SPRING, TENSION	

FIGURE 330 PAPER FEEDER ASSEMBLY

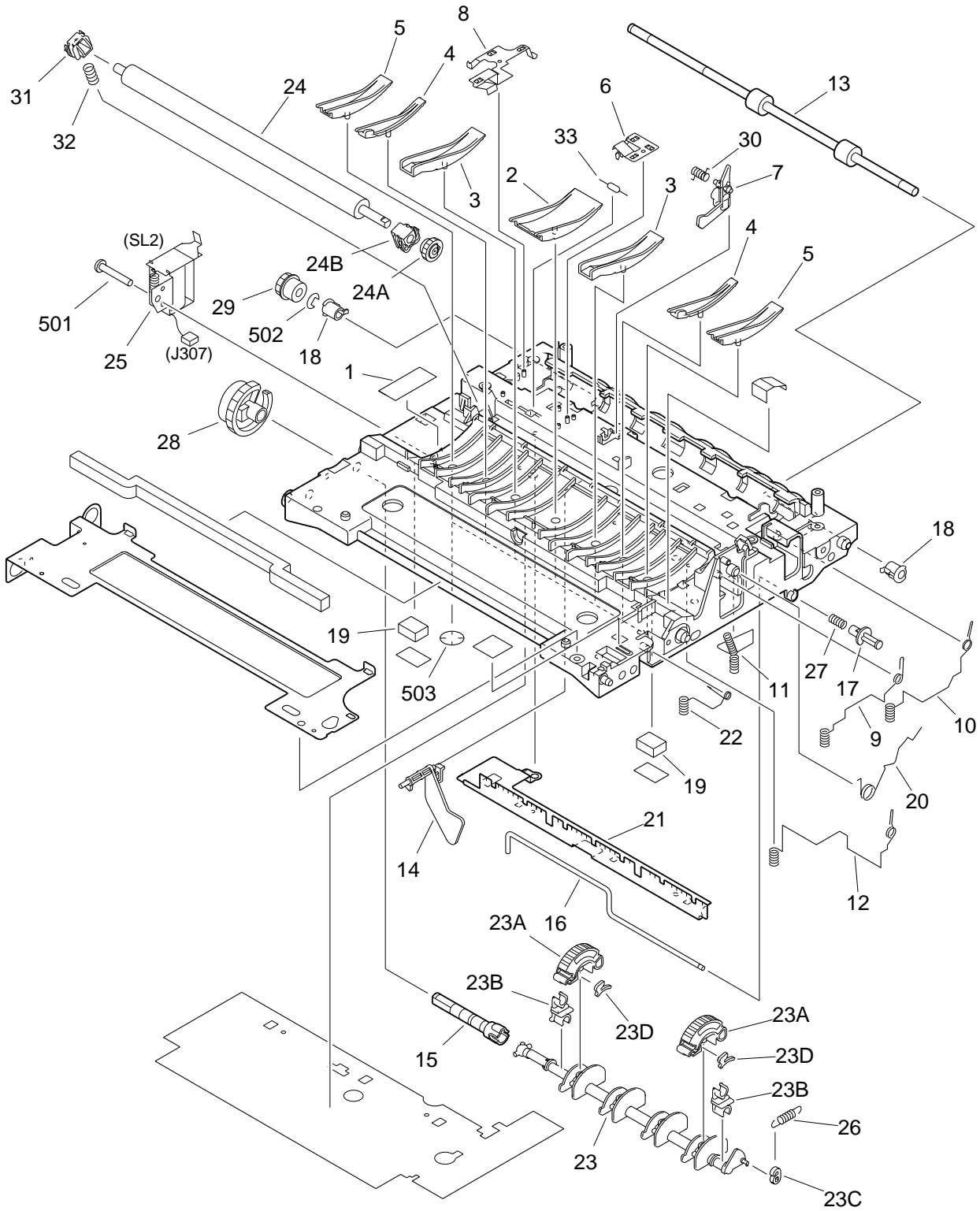


FIGURE & KEY NO.	PART NUMBER	RANK	QTY	DESCRIPTION	SERIAL NUMBER / REMARKS
330 -	NPN		RF	PAPER FEEDER ASSEMBLY	
1	FB2 - 9653 - 000		1	LABEL, CAUTION	
2	FB6 - 0079 - 000		1	GUIDE, PAPER FEED, 1	
3	FB6 - 0080 - 000		2	GUIDE, PAPER FEED, 2	
4	FB6 - 0081 - 000		2	GUIDE, PAPER FEED, 3	
5	FB6 - 0082 - 000		2	GUIDE, PAPER FEED, 4	
6	FB6 - 0157 - 000		1	SPRING, LEAF	
7	FB6 - 0158 - 000		1	FLAG, REGISTRATION SENSOR	
8	FB6 - 0162 - 000		1	SPRING, LEAF, GROUNDING	
9	FB6 - 0166 - 000		1	SPRING UNIT, CONTACT	
10	FB6 - 0167 - 000		1	SPRING UNIT, CONTACT	
11	FB6 - 0168 - 000		1	SPRING UNIT, CONTACT	
12	FB6 - 0169 - 000		1	SPRING UNIT, CONTACT	
13	FB6 - 0240 - 000		1	ROLLER, PAPER FEED	
14	FB6 - 0241 - 000		1	FLAG, PAPER SENSOR	
15	FB6 - 0245 - 000		1	SHAFT, JOINT	
16	FB6 - 0248 - 000		1	ARM, RETURN	
17	FB6 - 0260 - 000		1	GUIDE, ARM	
18	FB6 - 0261 - 000		2	BUSHING	
19	FB6 - 0274 - 000		2	SEAL, PAPER FEED FRAME	
20	FB6 - 0286 - 000		1	SPRING, TORSION	
21	FB6 - 0296 - 000		1	ELIMINATOR, STATIC CHARGE	
22	FB6 - 0297 - 000		1	SPRING UNIT, CONTACT	
23	FG6 - 7954 - 000		1	PAPER PICK-UP SHAFT ASSEMBLY	
23 A	FB4 - 9817 - 030		2	ROLLER, PICK-UP	
23 B	FB4 - 9819 - 000		2	HOLDER, PICK-UP SHAFT	
23 C	FB4 - 9820 - 000		1	COLLAR, SPRING	
23 D	FB4 - 9847 - 000		2	SPACER, PICK-UP ROLLER	
24	FG6 - 9504 - 000		1	TRANSFER ROLLER UNIT	
24 A	FU3 - 0441 - 000		1	GEAR, 17T	

FIGURE & KEY NO.	PART NUMBER	RANK	QTY	DESCRIPTION	SERIAL NUMBER / REMARKS
330 - 24 B	RB2 - 2925 - 020		1	BUSHING, TRANSFER, LEFT	
25	FH6 - 5037 - 000		1	SOLENOID	SL2 J307
26	FS7 - 2689 - 000		1	SPRING, TENSION	
27	FS7 - 2690 - 000		1	SPRING, COMPRESSION	
28	FU3 - 0073 - 000		1	GEAR, 32T	
29	FU3 - 0074 - 000		1	GEAR, 14T	
30	RB2 - 2843 - 000		1	SPRING, TORSION	
31	RB2 - 2926 - 020		1	BUSHING, TRANSFER, RIGHT	
32	RS6 - 2022 - 000		1	SPRING, COMPRESSION	
33	WA1 - 6525 - 000		1	DIODE, V17C33A	
501	XB4 - 5401 - 007		1	SCREW,P,M4X10	
502	XD2 - 1100 - 502		1	RING,E	
503	XD2 - 2300 - 302		7	RING,TOOTHED LOCK	

FIGURE 460 LASER SCANNER ASSEMBLY

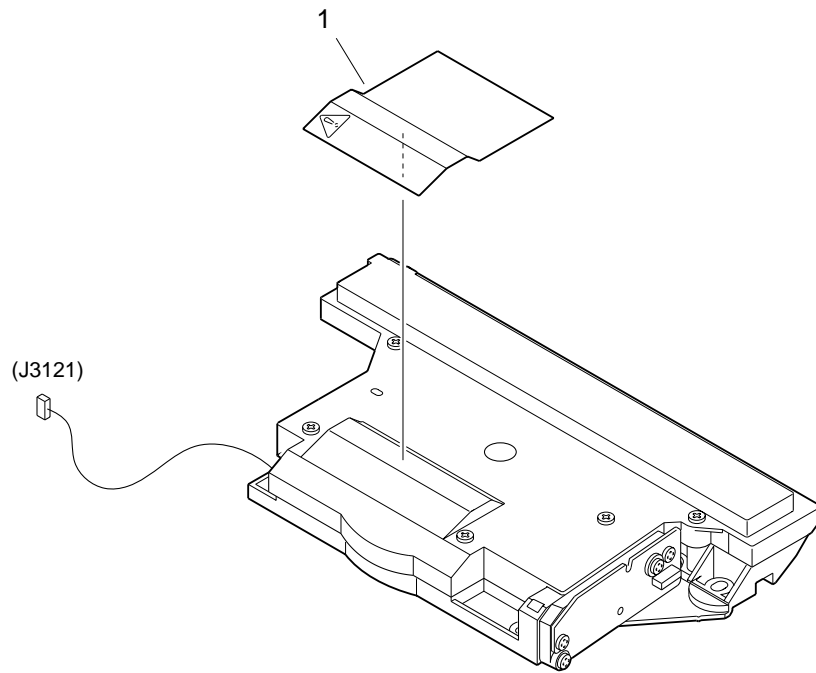


FIGURE & KEY NO.	PART NUMBER	RANK	QTY	DESCRIPTION	SERIAL NUMBER / REMARKS
460 -	FG6 - 7925 - 000		1	SCANNER ASSEMBLY	
1	RS6 - 8382 - 000		1	LABEL, "WARNING LASER"	

FIGURE 640 DEVELOPING ASSEMBLY

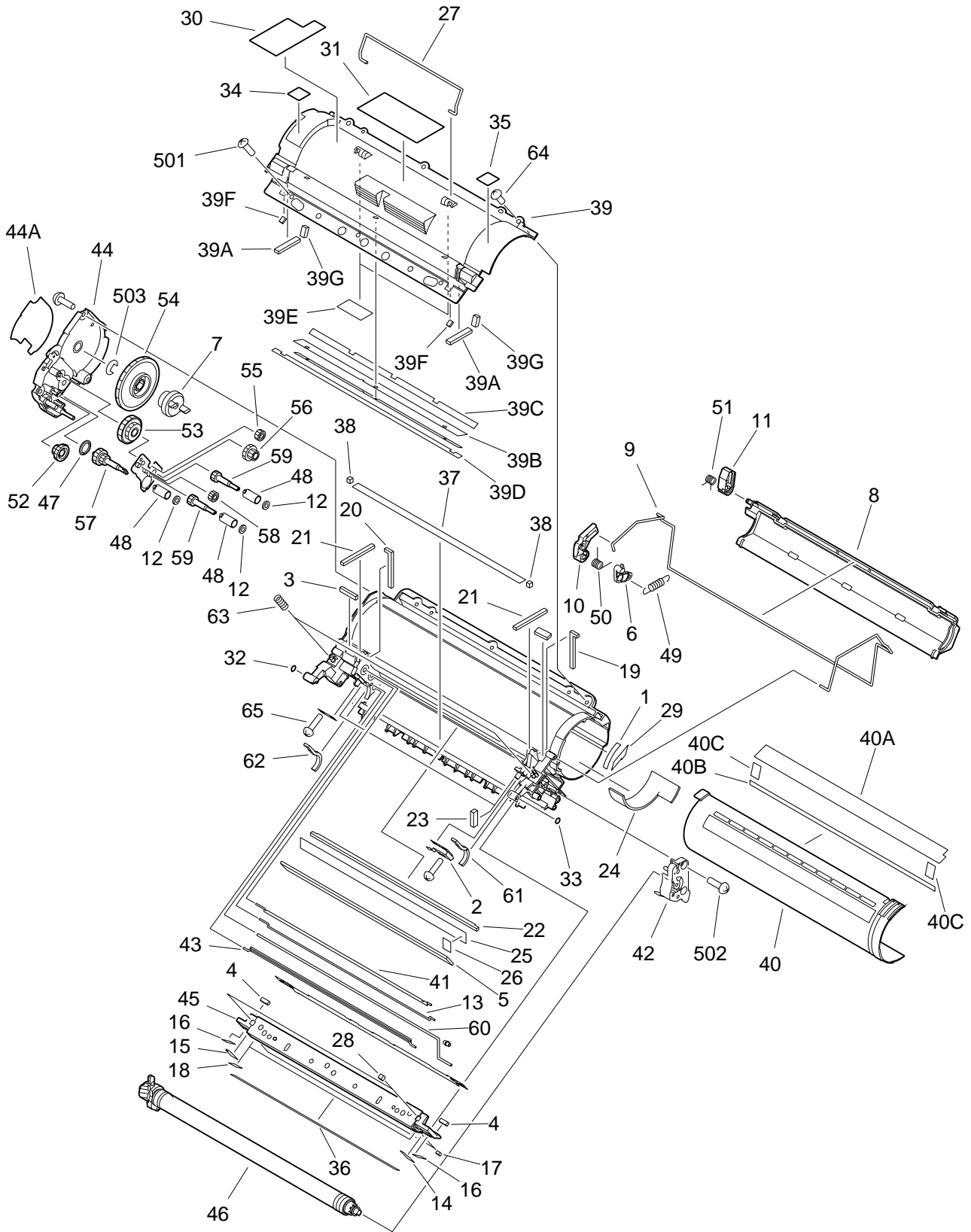


FIGURE & KEY NO.	PART NUMBER	R A N K	Q' T Y	DESCRIPTION	SERIAL NUMBER / REMARKS
640 -	FG6 - 9528 - 000		1	DEVELOPING ASSEMBLY	
1	FB3 - 0687 - 000		1	SEAL, OPEN GUIDE, 1	
2	FB6 - 4672 - 000		1	PLATE, GROUNDING	
3	FB6 - 4677 - 000		2	SEAL, AUXILIARY, 2	
4	FB6 - 4679 - 000		2	SEAL, SCRAPER	
5	FB6 - 4684 - 000		1	SHEET, DEVELOPING CONTAINER	
6	FB6 - 4685 - 000		1	ARM, SHUTTER	
7	FB6 - 4687 - 000		1	JOINT, DRIVE	
8	FB6 - 4689 - 000		1	SHUTTER, DEVELOPING	
9	FB6 - 4690 - 000		1	ROD, SHUTTER	
10	FB6 - 4691 - 000		1	ARM, SHUTTER	
11	FB6 - 4692 - 000		1	ARM, SHUTTER, 2	
12	FB6 - 4693 - 000		3	SEAL, STIRRER GEAR	
13	FB6 - 4694 - 000		1	ROD, STIRRING, 2	
14	FB6 - 4700 - 000		1	SHEET, TONER, FRONT	
15	FB6 - 4701 - 000		1	SHEET, TONER, REAR	
16	FB6 - 4702 - 000		2	SHEET, ROLLER SCRAPER	
17	FB6 - 4703 - 000		2	SEAL, BASE PLATE	
18	FB6 - 4704 - 000		2	SHEET, BLANKING	
19	FB6 - 4705 - 000		1	SEAL, D-S, FRONT	
20	FB6 - 4706 - 000		1	SEAL, D-S, REAR	
21	FB6 - 4707 - 000		2	SEAL, D-S, VERTICAL	
22	FB6 - 4708 - 000		1	SEAL, D-S, SIDE	
23	FB6 - 4709 - 000		2	SEAL, DEVELOPING, SIDE	
24	FB6 - 4710 - 000		1	SEAL, BOTTLE, INTERNAL	
25	FB6 - 4711 - 000		1	SHEET, SHUTTER CLEANING	
26	FB6 - 4712 - 000		1	SHEET, SHUTTER CLEANING, SMALL	
27	FB6 - 4762 - 000		1	HANDLE, DEVELOPING	
28	FB6 - 4764 - 000		2	SEAL, BASE AUXILIARY	
29	FB6 - 4766 - 000		1	SEAL, OPEN GUIDE	

FIGURE & KEY NO.	PART NUMBER	RANK	QTY	DESCRIPTION	SERIAL NUMBER / REMARKS
640 - 30	FB6 - 4782 - 000		1	LABEL, DEVELOPING UNIT WARNING	
31	FB6 - 4784 - 000		1	LABEL, DEVEL. ASS'Y INHIBITED	
32	FB6 - 4822 - 000		1	LABEL, JOINT, LEFT	
33	FB6 - 4823 - 000		1	LABEL, JOINT, RIGHT	
34	FB6 - 4824 - 000		1	LABEL, INSTALLATION, LEFT	
35	FB6 - 4825 - 000		1	LABEL, INSTALLATION, RIGHT	
36	FB6 - 4835 - 000		1	SHEET, BLADE BASE	
37	FB6 - 4837 - 000		1	SHEET, PREVENTION	
38	FB6 - 4838 - 000		2	SEAL, MAGNET, SIDE	
39	FF6 - 2289 - 000		1	COVER, DEVELOPING CONTAINER	
39 A	FB6 - 4670 - 000		2	SEAL, AUXILIARY, 4	
39 B	FB6 - 4674 - 000		1	SHEET, L-S	
39 C	FB6 - 4676 - 000		1	SEAL, AUXILIARY SHUTTER	
39 D	FB6 - 4713 - 000		1	SEAL, COVER	
39 E	FB6 - 4763 - 000		2	SHEET, HANDLE COVER	
39 F	FB6 - 4765 - 000		2	SEAL, AUXILIARY, 3	
39 G	FB6 - 4829 - 000		2	SEAL, AUXILIARY, 5	
40	FF6 - 2290 - 000		1	SHUTTER, BOTTLE	
40 A	FB6 - 4761 - 000		1	SEAL, SHUTTER, HORIZONTAL	
40 B	FB6 - 4827 - 000		1	SEAL, SHUTTER, HORIZONTAL	
40 C	FB6 - 4828 - 000		2	SEAL, SHUTTER, VERTICAL	
41	FF6 - 2295 - 000		1	ROD, STIRRING, 3	
42	FF6 - 2296 - 000		1	HOLDER, DEVELOPING, LEFT	
43	FF6 - 2297 - 000		1	ROD, DEVELOPING STIRRING	
44	FF6 - 2299 - 000		1	HOLDER, DEVELOPING, RIGHT	
44 A	FB6 - 4826 - 000		1	LABEL, INSTALLATION, RIGHT, 2	
45	FG6 - 9532 - 000		1	BLADE UNIT	
46	FG6 - 9533 - 000		1	CYLINDER, DEVELOPING	
47	FS6 - 1091 - 000		1	BUSHING	
48	FS6 - 1094 - 000		3	BUSHING	

FIGURE & KEY NO.	PART NUMBER	RANK	QTY	DESCRIPTION	SERIAL NUMBER / REMARKS
640 - 49	FS7 - 2926 - 000		1	SPRING, TENSION	
50	FS7 - 2927 - 000		1	SPRING, TORSION	
51	FS7 - 2928 - 000		1	SPRING, TORSION	
52	FU3 - 0430 - 000		1	GEAR, 29T/17T	
53	FU3 - 0431 - 000		1	GEAR, 51T/15T	
54	FU3 - 0432 - 000		1	GEAR, 51T	
55	FU3 - 0433 - 000		1	GEAR, 18T	
56	FU3 - 0434 - 000		1	GEAR, 28T/17T	
57	FU3 - 0435 - 000		1	GEAR, 28T/17T	
58	FU3 - 0436 - 000		2	GEAR, 17T	
59	FU3 - 0437 - 000		2	GEAR, 17T	
60	MB5 - 0232 - 000		1	ROD, DEVELOPING ANTENA	
61	MF4 - 0008 - 000		1	SEAL, MAGNET, RIGHT	
62	MF4 - 0009 - 000		1	SEAL, MAGNET, LEFT	
63	MS4 - 5000 - 000		2	SPRING, COMPRESSION	
64	XA9 - 0663 - 000		3	SCREW, W/WASHER, M3X6	
65	XA9 - 0770 - 000		2	SCREW,P,M3X12	
501	XB1 - 2300 - 807		3	SCREW,MACH.,TRUSS HEAD,M3X8	
502	XB4 - 5300 - 806		12	SCREW,P,M3X8	
503	XD2 - 1100 - 502		1	RING,E	

FIGURE 810 FIXING ASSEMBLY

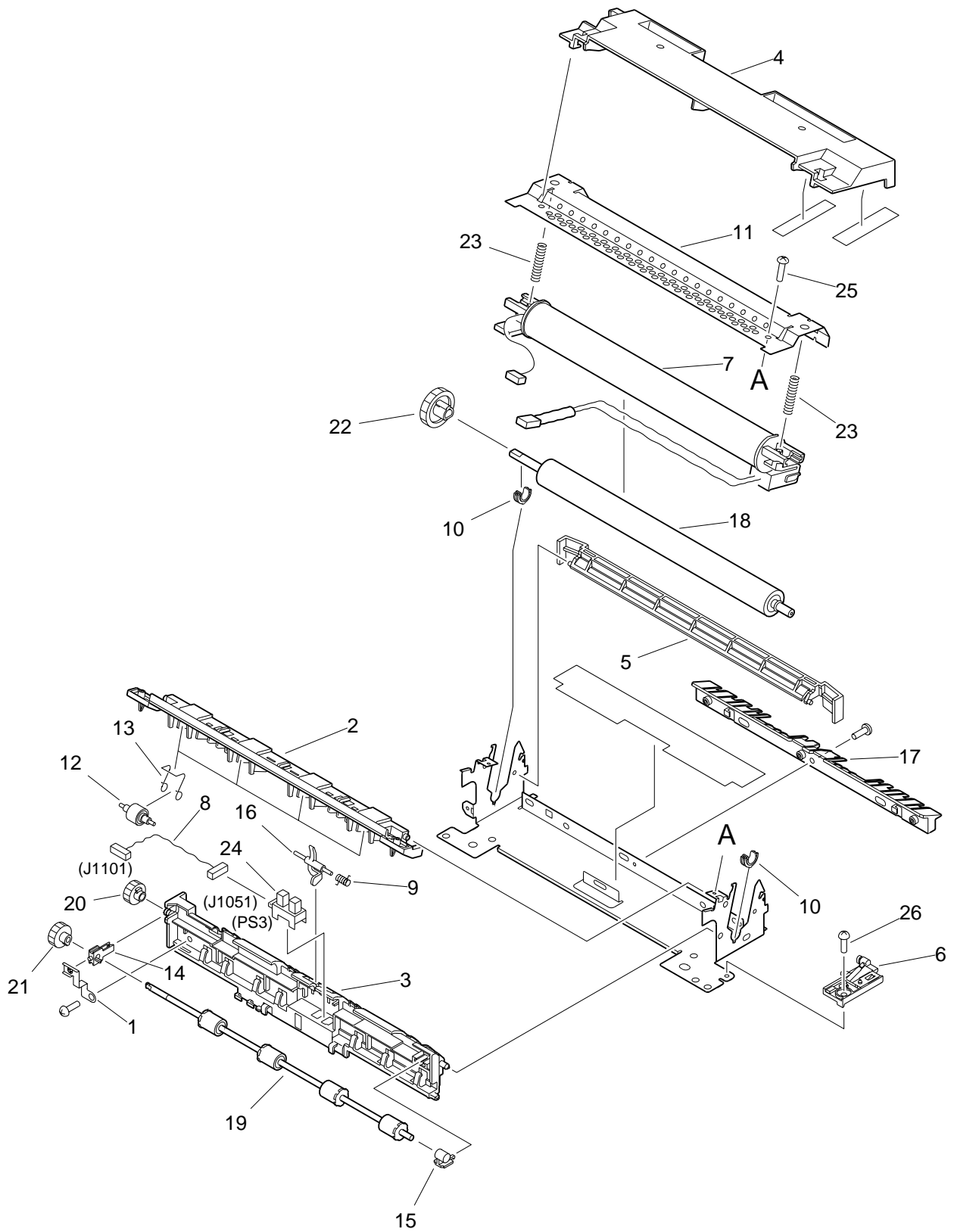


FIGURE & KEY NO.	PART NUMBER	RANK	QTY	DESCRIPTION	SERIAL NUMBER / REMARKS
810 -	FG6 - 7947 - 000		1	FIXING ASSEMBLY	ZTY,ZTW,ZTZ,ZUB
	FG6 - 7945 - 000		1	FIXING ASSEMBLY	MTC,PVZ,QLT,UVB,UV UVD,UVE,MTD,MTE,MTM UVF,UVG,UVH,UVJ,MTF MTG,UMA,UNA,UPA
1	FB6 - 0114 - 000		1	PLATE, GROUNDING	
2	FB6 - 0115 - 000		1	GUIDE, SEPARATION, UPPER	
3	FB6 - 0116 - 000		1	GUIDE, SEPARATION, LOWER	
4	FB6 - 0121 - 000		1	COVER, FIXING	
5	FB6 - 0122 - 000		1	GUIDE, FIXING INLET, UPPER	
6	FF6 - 1437 - 000		1	FIXING TERMINAL UNIT	
7	FG6 - 7948 - 000		1	FIXING FILM GUIDE ASSEMBLY	ZTY,ZTW,ZTZ,ZUB
	FG6 - 7946 - 000		1	FIXING FILM GUIDE ASSEMBLY	MTC,PVZ,QLT,UVB,UV UVD,UVE,MTD,MTE,MTM UVF,UVG,UVH,UVJ,MTF MTG,UMA,UNA,UPA
8	FG6 - 8849 - 000		1	CABLE, DELIVERY SENSOR	J1101,1051
9	FS7 - 2700 - 000		1	SPRING, TORSION	
10	RB2 - 2973 - 000		2	BUSHING	
11	RB2 - 2975 - 000		1	PLATE, PRESSURE	
12	RB2 - 2977 - 000		4	ROLLER, DELIVERY	
13	RB2 - 2978 - 000		4	SPRING, COMPRESSION	
14	RB2 - 2985 - 000		1	BUSHING	
15	RB2 - 2986 - 000		1	BUSHING	
16	RB2 - 6351 - 000		1	LEVER, DELIVERY	
17	RB2 - 6357 - 000		1	GUIDE, ENTRANCE	
18	RF5 - 2601 - 000		1	ROLLER, PRESSURE	
19	RF5 - 2603 - 000		1	ROLLER, DELIVERY	
20	RS6 - 0442 - 000		1	GEAR, 14T	
21	RS6 - 0443 - 000		1	GEAR, 15T	
22	RS6 - 0458 - 000		1	GEAR, 26T	
23	RS6 - 2029 - 000		2	SPRING, COMPRESSION	
24	WG8 - 5309 - 000		1	PHOTO-INTERRUPTER	PS3 J1051
25	XA9 - 0836 - 000		2	SCREW,TP,M3X6	

FIGURE & KEY NO.	PART NUMBER	R A N K	Q' T Y	DESCRIPTION	SERIAL NUMBER / REMARKS
810 - 26	XA9 - 0924 - 000		3	SCREW,W/WASHER,M3X8	

FIGURE 930 PCB ASSEMBLY

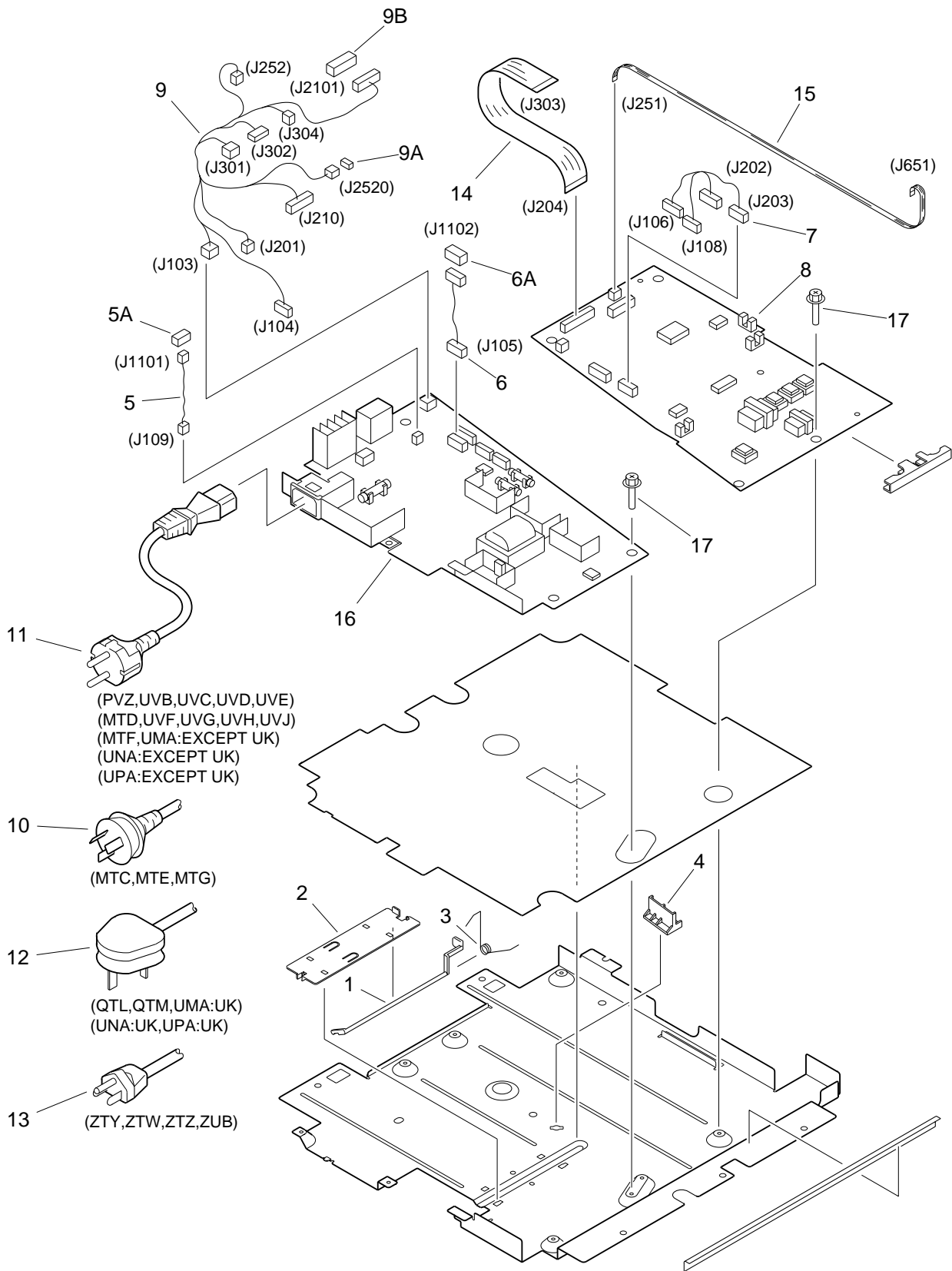


FIGURE & KEY NO.	PART NUMBER	RANK	QTY	DESCRIPTION	SERIAL NUMBER / REMARKS
930 -	NPN		RF	PCB ASSEMBLY	
1	FB6 - 0290 - 000		1	FLAG, SENSOR, 2	
2	FB6 - 0292 - 000		1	HOLDER, SENSOR FLAG	
3	FB6 - 0293 - 000		1	SPRING, TORSION	
4	FB6 - 0295 - 000		1	SPACER, CONTROLLER MOUNT	
5	FG6 - 8547 - 000		1	CABLE, PAPER DELIVERY SENSOR	J109,1101
5 A	VS1 - 5057 - 003		1	CONNECTOR, SNAP TIGHT	J1101
6	FG6 - 8548 - 000		1	CABLE, THERMISTOR	J105,1102
6 A	VS1 - 5057 - 004		1	CONNECTOR, SNAP TIGHT	J1102
7	FG6 - 8833 - 000		1	CABLE, POWER SUPPLY/DC	J106,108,202,203
8	FG6 - 9555 - 000		1	DC CONTROLLER PCB ASSEMBLY	
9	FG6 - 9852 - 000		1	CABLE, TONER FULL SENSOR, 2	J103,104,201,210,252 J301,302,304,2101 J2520
9 A	VS1 - 5057 - 003		1	CONNECTOR, SNAP TIGHT	J2520
9 B	VS1 - 5057 - 011		1	CONNECTOR, SNAP TIGHT	J2101
10	FH2 - 5276 - 030		1	CORD, POWER SUPPLY	MTC,MTE,MTG
11	FH2 - 5761 - 020		1	CORD, POWER SUPPLY	PVZ,UVB,UVC,UVD,UVE MTD,UVF,UVG,UVH,UVJ MTF UMA:EXCEPT UK UNA:EXCEPT UK UPA:EXCEPT UK
12	FH2 - 5762 - 000		1	CORD, POWER SUPPLY	QTL,QTM,UMA:UK UNA:UK,UPA:UK
13	FH2 - 6578 - 000		1	CORD, POWER SUPPLY	ZTY,ZTW,ZTZ,ZUB
14	FH2 - 6933 - 000		1	CABLE, FLAT	J204,303
15	FH2 - 7012 - 000		1	CABLE, FLAT	J251,651
16	FH3 - 2639 - 000		1	DC POWER SUPPLY PCB ASSEMBLY	ZTY,ZTW,ZTZ,ZUB
	FH3 - 2651 - 000		1	DC POWER SUPPLY PCB ASSEMBLY	PVZ,MTC,MTD,MTE,MTF MTG
	FH3 - 2643 - 000		1	DC POWER SUPPLY PCB ASSEMBLY	QTL,UVB,UVC,UVD,UVE QTM,UVF,UVG,UVH,UVJ UMA,UNA,UPA
17	XA9 - 1164 - 000		9	SCREW,RS,M3X6.5	

FIGURE 950 IMAGE PROCESSOR PCB ASSEMBLY

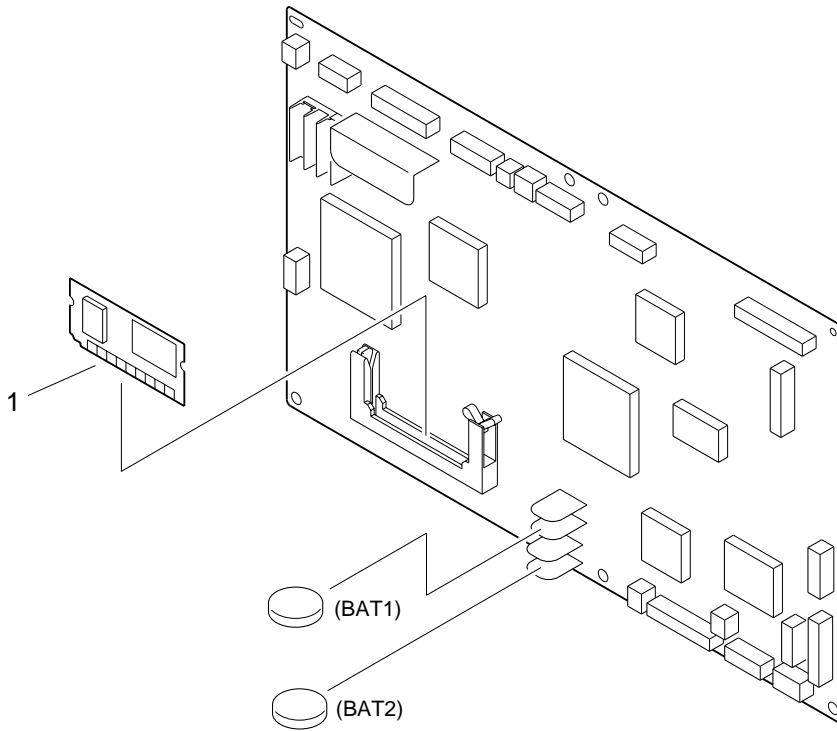


FIGURE & KEY NO.	PART NUMBER	RANK	QTY	DESCRIPTION	SERIAL NUMBER / REMARKS
950 -	FG6 - 9577 - 000		1	IMAGE PROCESSOR PCB ASSEMBLY	ZTY,MTC,PVZ,QTL,UVB UVC,UVD,UVE,ZTW,UMA
	FG6 - 9575 - 000		1	IMAGE PROCESSOR PCB ASSEMBLY	MTD,MTE,QTM,UVF,UVG UVH,UVJ,ZTZ,UNA
	FG6 - 9573 - 000		1	IMAGE PROCESSOR PCB ASSEMBLY	ZUB,MTF,MTG,UPA
1	FG6 - 9560 - 000		1	DIMM ASS'Y	
BAT 1	WK1 - 5112 - 000		1	LITHIUM BATTERY, CR2450VN75N	
BAT 2	WK1 - 5133 - 000		1	BATTERY, LI-AI/V205,VL2330/G1C	

FIGURE B LIST OF CONNECTORS(1/3)

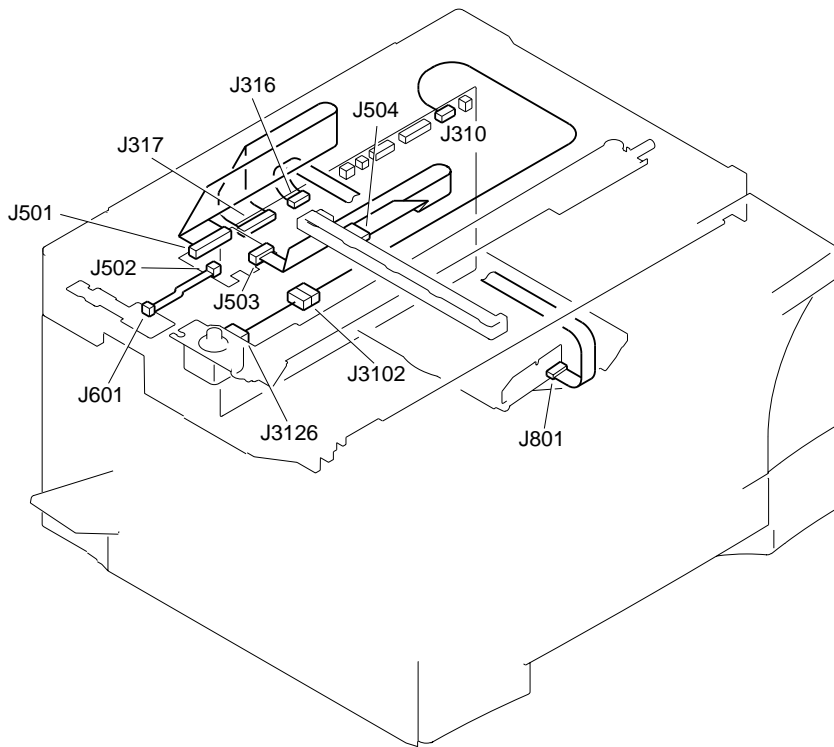
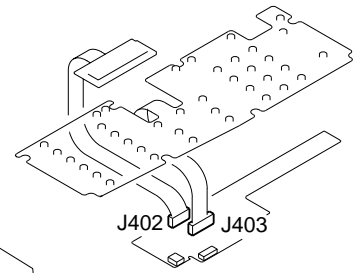
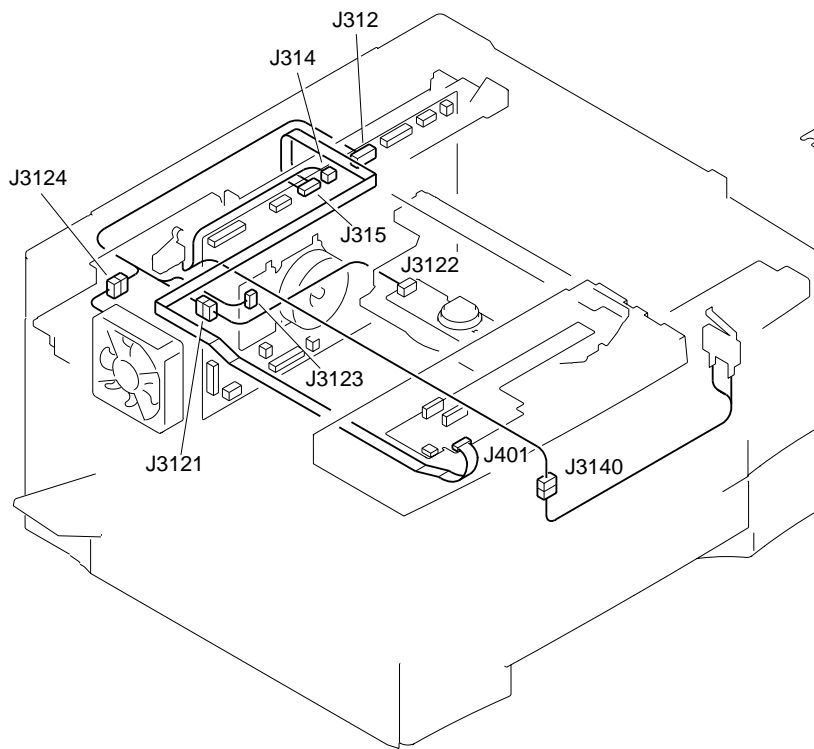


FIGURE B LIST OF CONNECTORS(2/3)

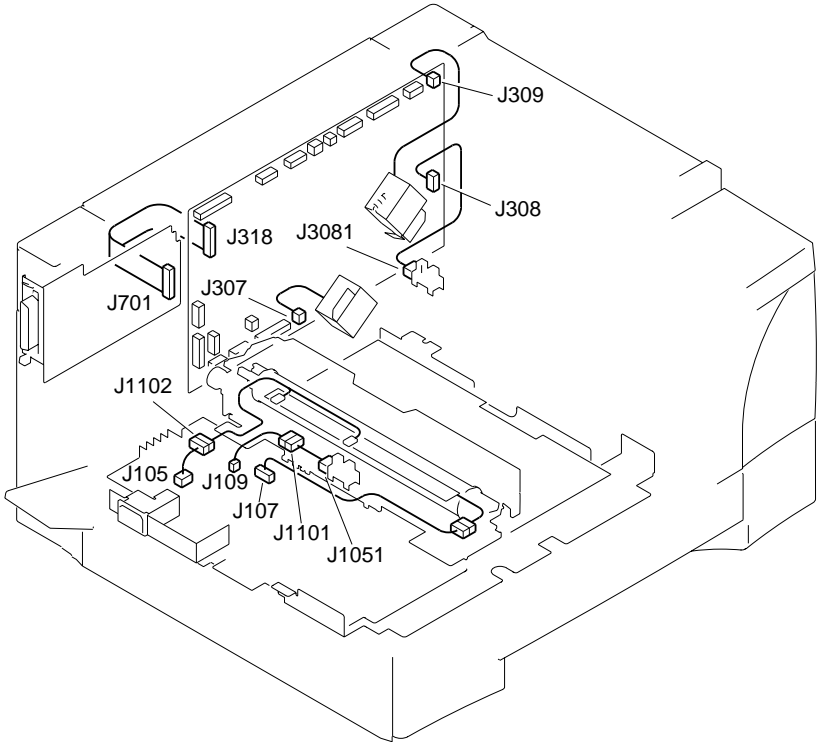
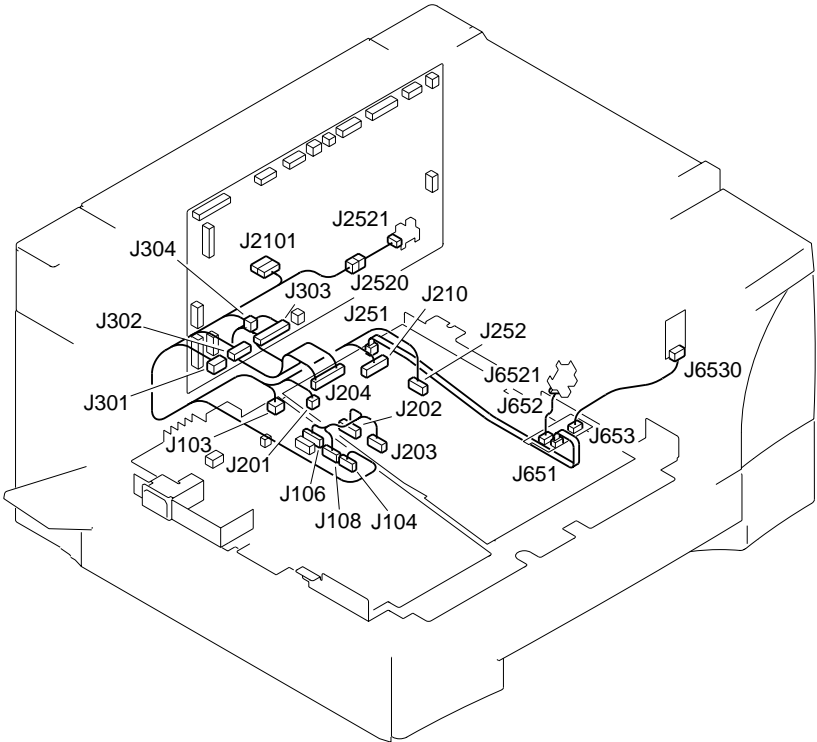
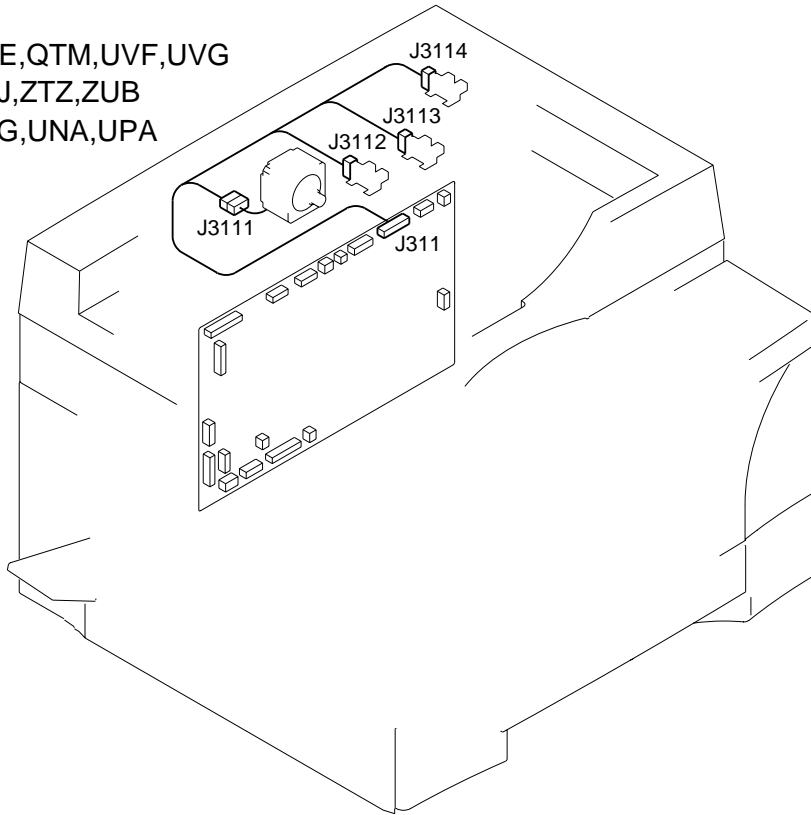


FIGURE B LIST OF CONNECTORS(3/3)

MTD,MTE,QTM,UVF,UVG
 UVH,UVJ,ZTZ,ZUB
 MTF,MTG,UNA,UPA



ZUB,MTF,MTG,UPA

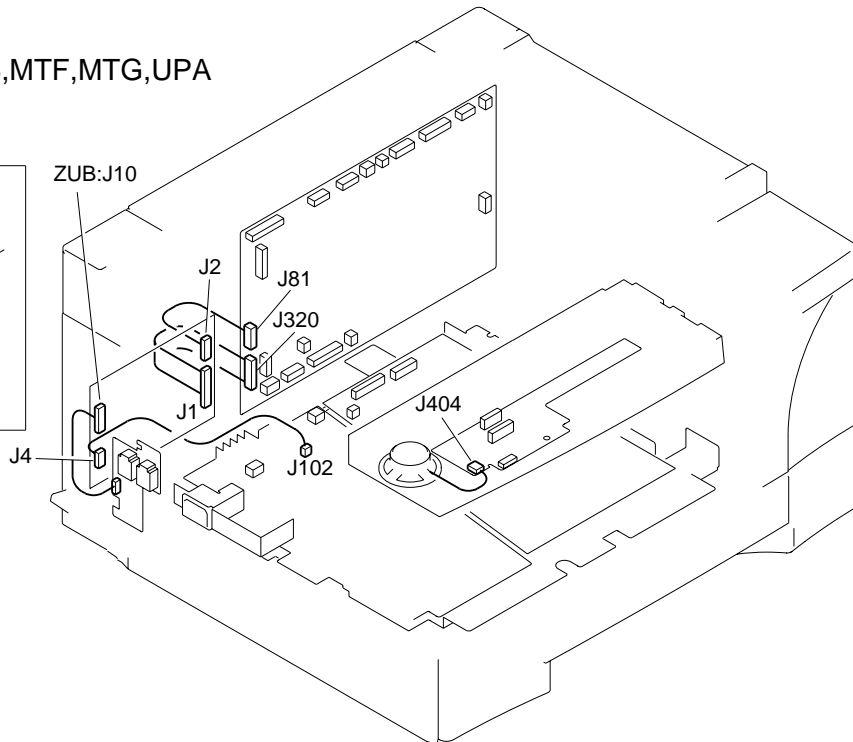
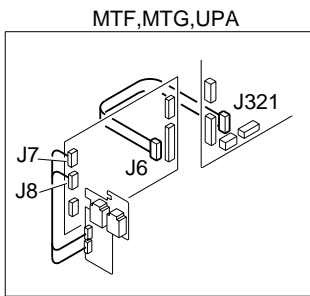


FIGURE & KEY NO.	PART NUMBER	RANK	QTY	DESCRIPTION	SERIAL NUMBER / REMARKS
B -	NPN		RF	LIST OF CONNECTORS	
J 1	PCB			NCU BOARD	ZUB,MTF,MTG,UPA
	FH2 - 6936 - 000		1	CABLE, FLAT	ZUB,MTF,MTG,UPA
J 2	PCB			NCU BOARD	ZUB,MTF,MTG,UPA
	VS3 - 5080 - 006		1	CONNECTOR, 6P, FEMALE	ZUB,MTF,MTG,UPA
	WT1 - 5155 - 000		6	TERMINAL	ZUB,MTF,MTG,UPA
J 4	PCB			NCU BOARD	ZUB
	VS3 - 5080 - 002		1	CONNECTOR, 2P, MALE	ZUB
	WT1 - 5155 - 000		2	TERMINAL	ZUB
J 6	PCB			NCU BOARD	MTF,MTG,UPA
	FH2 - 6935 - 000		1	CABLE, FLAT	MTF,MTG,UPA
J 7	PCB			NCU BOARD	MTF,MTG,UPA
	PCB			MODULAR BOARD	MTF,MTG,UPA
J 8	PCB			NCU BOARD	MTF,MTG,UPA
	PCB			MODULAR BOARD	MTF,MTG,UPA
J 10	PCB			NCU BOARD	ZUB
	PCB			MODULAR BOARD	ZUB
J 8 1	PCB			IMAGE PROCESSOR	ZUB,MTF,MTG,UPA
	VS3 - 5080 - 006		1	CONNECTOR, 6P, FEMALE	ZUB,MTF,MTG,UPA
	WT1 - 5155 - 000		6	TERMINAL	ZUB,MTF,MTG,UPA
J 1 0 2	PCB			DC POWER SUPPLY	ZUB,MTF,MTG,UPA
	VS3 - 5080 - 002		1	CONNECTOR, 2P, MALE	ZUB,MTF,MTG,UPA
	WT1 - 5155 - 000		2	TERMINAL	ZUB,MTF,MTG,UPA
J 1 0 3	PCB			DC POWER SUPPLY	
	VS1 - 5824 - 004		1	CONNECTOR, 4P, FEMALE	
J 1 0 4	WS3 - 5358 - 000		4	SOCKET CONTACT, 22-26AWG	
	PCB			DC POWER SUPPLY	
	VS1 - 6314 - 008		1	CONNECTOR, 8P, FEMALE	
J 1 0 5	PCB			DC POWER SUPPLY	
	VS1 - 0842 - 004		1	CONNECTOR, 4P, FEMALE	

FIGURE & KEY NO.	PART NUMBER	RANK	QTY	DESCRIPTION	SERIAL NUMBER / REMARKS
B - J 1 0 6	PCB			DC POWER SUPPLY	
	VS1 - 6314 - 010		1	CONNECTOR, 10P, FEMALE	
J 1 0 7	PCB			DC POWER SUPPLY	
	VS3 - 5118 - 003		1	CONNECTOR, 3P, FEMALE	
	WS3 - 1226 - 000		2	SOCKET CONTACT	
J 1 0 8	PCB			DC POWER SUPPLY	
	VS1 - 6314 - 009		1	CONNECTOR, 9P, FEMALE	
J 1 0 9	PCB			DC POWER SUPPLY	
	VS1 - 0842 - 003		1	CONNECTOR, 3P, FEMALE	
J 2 0 1	PCB			DC CONTROLLER	
	VS1 - 0842 - 003		1	CONNECTOR, 3P, FEMALE	
J 2 0 2	PCB			DC CONTROLLER	
	VS1 - 6314 - 010		1	CONNECTOR, 10P, FEMALE	
J 2 0 3	PCB			DC CONTROLLER	
	VS1 - 6314 - 009		1	CONNECTOR, 9P, FEMALE	
J 2 0 4	PCB			DC CONTROLLER	
	FH2 - 6933 - 000		1	CABLE, FLAT	
J 2 1 0	PCB			DC CONTROLLER	
	VS1 - 6321 - 011		1	CONNECTOR, 11P, FEMALE	
J 2 5 1	PCB			DC CONTROLLER	
	FH2 - 7012 - 000		1	CABLE, FLAT	
J 2 5 2	PCB			DC CONTROLLER	
	VS1 - 6314 - 003		1	CONNECTOR, 3P, FEMALE	
J 3 0 1	PCB			IMAGE PROCESSOR	
	VS1 - 5824 - 004		1	CONNECTOR, 4P, FEMALE	
J 3 0 2	WS3 - 5358 - 000		4	SOCKET CONTACT, 22-26AWG	
	PCB			IMAGE PROCESSOR	
	VS1 - 6314 - 008		1	CONNECTOR, 8P, FEMALE	
J 3 0 3	PCB			IMAGE PROCESSOR	
	FH2 - 6933 - 000		1	CABLE, FLAT	

FIGURE & KEY NO.	PART NUMBER	RANK	QTY	DESCRIPTION	SERIAL NUMBER / REMARKS
B - J 3 0 4	PCB			IMAGE PROCESSOR	
	VS1 - 0842 - 003		1	CONNECTOR, 3P, FEMALE	
J 3 0 7	PCB			IMAGE PROCESSOR	
	NPN			CASSETTE PICK-UP SOLENOID	SL2
J 3 0 8	PCB			IMAGE PROCESSOR	
	VS1 - 6314 - 003		1	CONNECTOR, 3P, FEMALE	
J 3 0 9	PCB			IMAGE PROCESSOR	
	NPN			MANUAL FEED PICK-UP SOLENOID	SL1
J 3 1 0	PCB			IMAGE PROCESSOR	
	VS1 - 6314 - 004		1	CONNECTOR, 4P, FEMALE	
J 3 1 1	PCB			IMAGE PROCESSOR	MTD,MTE,QTM,UVF,UVG UVH,UVJ,ZTZ,ZUB,MTF MTG,UNA,UPA
	VS1 - 6757 - 015		1	CONNECTOR, 15P, FEMALE	MTD,MTE,QTM,UVF,UVG UVH,UVJ,ZTZ,ZUB,MTF MTG,UNA,UPA
	WS3 - 5721 - 000		15	SOCKET CONTACT	MTD,MTE,QTM,UVF,UVG UVH,UVJ,ZTZ,ZUB,MTF
J 3 1 2	PCB			IMAGE PROCESSOR	MTG,UNA,UPA
	VS1 - 6314 - 010		1	CONNECTOR, 10P, FEMALE	
J 3 1 4	PCB			IMAGE PROCESSOR	
	VS1 - 6302 - 003		1	CONNECTOR, 3P, FEMALE	
J 3 1 5	PCB			IMAGE PROCESSOR	
	WS3 - 5569 - 000		2	SOCKET CONTACT, 22-28AWG	
	FH2 - 6932 - 000		1	CABLE, FLAT	
J 3 1 6	PCB			IMAGE PROCESSOR	
	FH2 - 6934 - 000		1	CABLE, FLAT	
J 3 1 7	PCB			IMAGE PROCESSOR	
	FF6 - 1443 - 000		1	CABLE, FLAT	
J 3 1 8	PCB			IMAGE PROCESSOR	
	FH2 - 6937 - 000		1	CABLE, FLAT	
J 3 2 0	PCB			IMAGE PROCESSOR	ZUB,MTF,MTG,UPA

FIGURE & KEY NO.	PART NUMBER	RANK	QTY	DESCRIPTION	SERIAL NUMBER / REMARKS
B - J 3 2 0	FH2 - 6936 - 000		1	CABLE, FLAT	ZUB,MTF,MTG,UPA
J 3 2 1	PCB			IMAGE PROCESSOR	MTF,MTG,UPA
	FH2 - 6935 - 000		1	CABLE, FLAT	MTF,MTG,UPA
J 3 5 2	PCB			IMAGE PROCESSOR	
	VS1 - 6314 - 007		1	CONNECTOR, 7P, FEMALE	
J 3 9 1	PCB			SERIAL NUMBER	
	VS1 - 6314 - 007		1	CONNECTOR, 7P, FEMALE	
J 4 0 1	PCB			CONTROL PANEL	
	FH2 - 6932 - 000		1	CABLE, FLAT	
J 4 0 2	PCB			CONTROL PANEL	
J 4 0 3	NPN			LCD PANEL	
	PCB			CONTROL PANEL	
	NPN			MEMBRANE SWITCH	
J 4 0 4	PCB			CONTROL PANEL	ZUB,MTF,MTG,UPA
	NPN			SPEAKER	ZUB,MTF,MTG,UPA SP1
J 5 0 1	PCB			ANALOG PROCESSOR	
	FF6 - 1443 - 000		1	CABLE, FLAT	
J 5 0 2	PCB			ANALOG PROCESSOR	
	FH2 - 6931 - 000		1	CABLE, FLAT	
J 5 0 3	PCB			ANALOG PROCESSOR	
J 5 0 4	FH2 - 6929 - 000		1	CABLE, FLAT	
	NPN			CONTACT SENSOR	
	FH2 - 6929 - 000		1	CABLE, FLAT	
J 6 0 1	PCB			READER SENSOR	
	FH2 - 6931 - 000		1	CABLE, FLAT	
J 6 5 1	PCB			SENSOR CONNECT	
	FH2 - 7012 - 000		1	CABLE, FLAT	
J 6 5 2	PCB			SENSOR CONNECT	
	VS1 - 0861 - 003		1	CONNECTOR, 3P, FEMALE	
J 6 5 3	PCB			SENSOR CONNECT	

FIGURE & KEY NO.	PART NUMBER	RANK	QTY	DESCRIPTION	SERIAL NUMBER / REMARKS
B - J 6 5 3	VS1 - 5076 - 003		1	CONNECTOR, 3P, FEMALE	
J 7 0 1	PCB			PRINTER CONTROLLER	
	FH2 - 6937 - 000		1	CABLE, FLAT	
J 8 0 1	NPN			LASER UNIT	
	FH2 - 6934 - 000		1	CABLE, FLAT	
J 1 0 5 1	NPN			DELIVERY SENSOR	PS3
	VS1 - 0842 - 003		1	CONNECTOR, 3P, FEMALE	
J 1 1 0 1	VS1 - 0842 - 003		2	CONNECTOR, 3P, FEMALE	
	VS1 - 5057 - 003		1	CONNECTOR, SNAP TIGHT	
J 1 1 0 2	NPN			THERMISTOR	TH1,TH2
J 2 1 0 1	VS1 - 0842 - 004		1	CONNECTOR, 4P, FEMALE	
	VS1 - 5057 - 004		1	CONNECTOR, SNAP TIGHT	
	SYS			FOR FACTORY	
	VS1 - 5057 - 011		1	CONNECTOR, SNAP TIGHT	
	VS1 - 6321 - 011		1	CONNECTOR, 11P, FEMALE	
J 2 5 2 0	VS1 - 5057 - 003		1	CONNECTOR, SNAP TIGHT	
	VS1 - 6321 - 003		2	CONNECTOR, 3P, FEMALE	
J 2 5 2 1	NPN			WASTE TONER SENSOR	PS10
	VS1 - 6321 - 003		1	CONNECTOR, 3P, FEMALE	
J 3 0 8 1	NPN			MANUAL FEED TRAY PAPER SENSOR	PS4
J 3 1 0 2	VS1 - 6321 - 003		1	CONNECTOR, 3P, FEMALE	
	VS1 - 5057 - 004		1	CONNECTOR, SNAP TIGHT	
	VS1 - 5824 - 004		1	CONNECTOR, 4P, FEMALE	
	VS1 - 6321 - 004		1	CONNECTOR, 4P, FEMALE	
	WS3 - 5358 - 000		4	SOCKET CONTACT, 22-26AWG	
J 3 1 1 1	NPN			ADF MOTOR	MTD,MTE,QTM,UVF,UVG UVH,UVJ,ZTZ,ZUB,MTF MTG,UNA,UPA M3
	VS1 - 5057 - 006		1	CONNECTOR, SNAP TIGHT	MTD,MTE,QTM,UVF,UVG UVH,UVJ,ZTZ,ZUB,MTF MTG,UNA,UPA
	VS1 - 5824 - 006		1	CONNECTOR, 6P, FEMALE	MTD,MTE,QTM,UVF,UVG UVH,UVJ,ZTZ,ZUB,MTF

FIGURE & KEY NO.	PART NUMBER	RANK	QTY	DESCRIPTION	SERIAL NUMBER / REMARKS
B - J 3 1 1 1	VS1 - 5824 - 006		1	CONNECTOR, 6P, FEMALE	MTG,UNA,UPA
	WS3 - 5358 - 000		6	SOCKET CONTACT, 22-26AWG	MTD,MTE,QTM,UVF,UVG UVH,UVJ,ZTZ,ZUB,MTF MTG,UNA,UPA
J 3 1 1 2	NPN			ORIGINAL SENSOR	MTD,MTE,QTM,UVF,UVG UVH,UVJ,ZTZ,ZUB,MTF MTG,UNA,UPA PS6
J 3 1 1 3	VS1 - 6094 - 003		1	CONNECTOR, 3P, FEMALE	MTD,MTE,QTM,UVF,UVG UVH,UVJ,ZTZ,ZUB,MTF MTG,UNA,UPA
	WS3 - 5358 - 000		3	SOCKET CONTACT, 22-26AWG	MTD,MTE,QTM,UVF,UVG UVH,UVJ,ZTZ,ZUB,MTF MTG,UNA,UPA
	NPN			REGISTRATION SENSOR	MTD,MTE,QTM,UVF,UVG UVH,UVJ,ZTZ,ZUB,MTF
J 3 1 1 4	VS1 - 5824 - 003		1	CONNECTOR, 3P, FEMALE	MTD,MTE,QTM,UVF,UVG UVH,UVJ,ZTZ,ZUB,MTF MTG,UNA,UPA
	WS3 - 5358 - 000		3	SOCKET CONTACT, 22-26AWG	MTD,MTE,QTM,UVF,UVG UVH,UVJ,ZTZ,ZUB,MTF MTG,UNA,UPA
	NPN			ORIGINAL DELIVERY SENSOR	MTD,MTE,QTM,UVF,UVG UVH,UVJ,ZTZ,ZUB,MTF MTG,UNA,UPA PS8
J 3 1 2 1	VS1 - 5824 - 003		1	CONNECTOR, 3P, FEMALE	MTD,MTE,QTM,UVF,UVG UVH,UVJ,ZTZ,ZUB,MTF MTG,UNA,UPA
	WS3 - 5358 - 000		3	SOCKET CONTACT, 22-26AWG	MTD,MTE,QTM,UVF,UVG UVH,UVJ,ZTZ,ZUB,MTF MTG,UNA,UPA
	NPN			SCANNER MOTOR	M4
J 3 1 2 3	VS1 - 0842 - 004		1	CONNECTOR, 4P, FEMALE	MTG,UNA,UPA
	VS1 - 5057 - 004		1	CONNECTOR, SNAP TIGHT	
J 3 1 2 4	VS1 - 6321 - 004		1	CONNECTOR, 4P, FEMALE	
	NPN			EXHAUST FAN	FM1
J 3 1 2 3	VS1 - 6225 - 004		1	CONNECTOR, 4P, FEMALE	
	NPN			MAIN MOTOR	M1
J 3 1 2 4	VS1 - 6321 - 003		1	CONNECTOR, 3P, FEMALE	
	NPN			EXHAUST FAN	FM1
J 3 1 2 4	VS1 - 5057 - 003		1	CONNECTOR, SNAP TIGHT	
	NPN			EXHAUST FAN	FM1

FIGURE & KEY NO.	PART NUMBER	RANK	QTY	DESCRIPTION	SERIAL NUMBER / REMARKS
B - J 3 1 2 4	VS1 - 6320 - 003		1	CONNECTOR, 3P, FEMALE	
J 3 1 2 6	NPN			READER MOTOR	M2
	VS3 - 0320 - 006		1	CONNECTOR, 6P, FEMALE	
	WS3 - 1309 - 000		4	SOCKET CONTACT, 28AWG	
J 3 1 4 0	NPN			FRONT DOOR SWITCH	SW2
	VS1 - 0279 - 003		1	CONNECTOR, 3P, FEMALE	
	WS3 - 0437 - 000		2	SOCKET CONTACT, 20-30AWG	
J 6 5 2 1	NPN			BOTTLE SET SENSOR	PS11
	VS1 - 0842 - 003		1	CONNECTOR, 3P, FEMALE	
J 6 5 3 0	NPN			HUMIDITY SENSOR	HS
	VS1 - 5076 - 003		1	CONNECTOR, 3P, FEMALE	

D NUMERICAL INDEX

PART NUMBER	FIGURE & KEY NO.	PART NUMBER	FIGURE & KEY NO.	PART NUMBER	FIGURE & KEY NO.
FB2 - 5303 - 000	102 - 1	FB6 - 0168 - 000	330 - 11	FB6 - 2307 - 000	100 - 14
FB2 - 5502 - 000	103 - 1	FB6 - 0169 - 000	330 - 12	FB6 - 2308 - 000	100 - 14
FB2 - 9653 - 000	330 - 1	FB6 - 0171 - 000	210 - 1	FB6 - 2323 - 000	130 - 8
FB3 - 0687 - 000	640 - 1	FB6 - 0172 - 000	210 - 2	FB6 - 2324 - 000	130 - 8
FB3 - 3395 - 000	161 - 1	FB6 - 0173 - 000	210 - 3	FB6 - 2329 - 000	161 - 4
FB3 - 3396 - 000	161 - 2	FB6 - 0176 - 000	210 - 4	FB6 - 2330 - 000	161 - 6
FB4 - 9817 - 030	330 - 2 3 A	FB6 - 0177 - 000	210 - 5	FB6 - 2331 - 000	161 - 4
FB4 - 9819 - 000	330 - 2 3 B	FB6 - 0178 - 000	210 - 15	FB6 - 2333 - 000	161 - 4
FB4 - 9820 - 000	330 - 2 3 C	FB6 - 0179 - 000	103 - 6	FB6 - 4237 - 000	160 - 3
FB4 - 9847 - 000	330 - 2 3 D	FB6 - 0181 - 000	210 - 6	FB6 - 4556 - 000	102 - 11
FB5 - 0159 - 000	300 - 1	FB6 - 0182 - 000	210 - 7	FB6 - 4557 - 000	102 - 12
	301 - 1	FB6 - 0183 - 000	210 - 8	FB6 - 4573 - 000	250 - 2
FB5 - 0161 - 000	300 - 2	FB6 - 0184 - 000	210 - 9	FB6 - 4633 - 000	100 - 15
FB5 - 0162 - 000	301 - 2	FB6 - 0185 - 000	210 - 10	FB6 - 4638 - 000	103 - 11
FB5 - 0163 - 000	301 - 3	FB6 - 0187 - 000	161 - 3	FB6 - 4641 - 000	100 - 20
FB5 - 0164 - 000	301 - 4	FB6 - 0189 - 000	210 - 11	FB6 - 4643 - 000	100 - 23 A
FB5 - 0165 - 000	300 - 3	FB6 - 0191 - 000	210 - 12	FB6 - 4645 - 000	100 - 24 A
	300 - 4	FB6 - 0197 - 000	210 - 13	FB6 - 4647 - 000	102 - 13
FB5 - 0167 - 000	300 - 5	FB6 - 0198 - 000	210 - 14	FB6 - 4648 - 000	102 - 14
FB5 - 0168 - 000	300 - 6	FB6 - 0202 - 000	210 - 24 A	FB6 - 4650 - 000	100 - 16
FB5 - 0169 - 000	300 - 7	FB6 - 0203 - 000	210 - 24 B	FB6 - 4652 - 000	102 - 15
FB5 - 0170 - 000	300 - 8	FB6 - 0204 - 000	210 - 15	FB6 - 4653 - 000	102 - 16
FB5 - 0171 - 000	300 - 9	FB6 - 0208 - 000	210 - 16	FB6 - 4654 - 000	102 - 17
	300 - 10	FB6 - 0210 - 000	210 - 17	FB6 - 4655 - 000	102 - 18
FB5 - 0172 - 000	300 - 11	FB6 - 0211 - 000	210 - 18	FB6 - 4657 - 000	102 - 19
FB5 - 0173 - 000	300 - 12	FB6 - 0212 - 000	210 - 19	FB6 - 4658 - 000	102 - 20
	301 - 5	FB6 - 0214 - 000	220 - 1	FB6 - 4660 - 000	102 - 21
	302 - 1	FB6 - 0215 - 000	220 - 2	FB6 - 4661 - 000	102 - 22
FB5 - 0175 - 000	300 - 13	FB6 - 0216 - 000	220 - 3	FB6 - 4662 - 000	100 - 22 A
FB5 - 0176 - 000	300 - 14	FB6 - 0219 - 000	220 - 4	FB6 - 4666 - 000	101 - 8
FB5 - 0177 - 000	300 - 15	FB6 - 0224 - 000	210 - 20	FB6 - 4667 - 000	101 - 9
FB5 - 0178 - 000	300 - 20 A	FB6 - 0229 - 000	210 - 21	FB6 - 4670 - 000	640 - 39 A
	300 - 21 A	FB6 - 0233 - 000	220 - 5	FB6 - 4672 - 000	640 - 2
FB5 - 0180 - 000	300 - 16	FB6 - 0234 - 000	103 - 7	FB6 - 4674 - 000	640 - 39 B
FB5 - 0181 - 000	300 - 17	FB6 - 0235 - 000	220 - 6	FB6 - 4676 - 000	640 - 39 C
FB5 - 0218 - 000	302 - 2	FB6 - 0237 - 000	210 - 22	FB6 - 4677 - 000	640 - 3
FB5 - 0219 - 000	302 - 3	FB6 - 0240 - 000	330 - 13	FB6 - 4679 - 000	640 - 4
FB5 - 0220 - 000	302 - 4	FB6 - 0241 - 000	330 - 14	FB6 - 4684 - 000	640 - 5
FB5 - 0221 - 000	302 - 5	FB6 - 0242 - 000	100 - 8	FB6 - 4685 - 000	640 - 6
FB5 - 0222 - 000	302 - 6	FB6 - 0243 - 000	100 - 9	FB6 - 4687 - 000	640 - 7
FB5 - 0229 - 000	302 - 7	FB6 - 0245 - 000	330 - 15	FB6 - 4689 - 000	640 - 8
FB5 - 0230 - 000	302 - 8	FB6 - 0248 - 000	330 - 16	FB6 - 4690 - 000	640 - 9
FB5 - 0231 - 000	302 - 9	FB6 - 0249 - 000	101 - 2	FB6 - 4691 - 000	640 - 10
FB5 - 0232 - 000	302 - 10	FB6 - 0250 - 000	100 - 10	FB6 - 4692 - 000	640 - 11
FB5 - 0233 - 000	302 - 11	FB6 - 0251 - 000	101 - 3	FB6 - 4693 - 000	640 - 12
FB5 - 0234 - 000	302 - 11	FB6 - 0252 - 000	103 - 8	FB6 - 4694 - 000	640 - 13
FB5 - 2843 - 00S	301 - 6	FB6 - 0253 - 000	103 - 9	FB6 - 4700 - 000	640 - 14
FB5 - 2844 - 00S	301 - 7	FB6 - 0256 - 000	103 - 10	FB6 - 4701 - 000	640 - 15
FB6 - 0074 - 000	101 - 1	FB6 - 0260 - 000	330 - 17	FB6 - 4702 - 000	640 - 16
FB6 - 0075 - 000	103 - 2	FB6 - 0261 - 000	330 - 18	FB6 - 4703 - 000	640 - 17
FB6 - 0076 - 000	103 - 3	FB6 - 0263 - 000	300 - 18	FB6 - 4704 - 000	640 - 18
FB6 - 0077 - 000	102 - 2	FB6 - 0265 - 000	101 - 4	FB6 - 4705 - 000	640 - 19
FB6 - 0079 - 000	330 - 2	FB6 - 0268 - 000	101 - 5	FB6 - 4706 - 000	640 - 20
FB6 - 0080 - 000	330 - 3	FB6 - 0269 - 000	101 - 6	FB6 - 4707 - 000	640 - 21
FB6 - 0081 - 000	330 - 4	FB6 - 0274 - 000	330 - 19	FB6 - 4708 - 000	640 - 22
FB6 - 0082 - 000	330 - 5	FB6 - 0276 - 000	102 - 6	FB6 - 4709 - 000	640 - 23
FB6 - 0085 - 000	100 - 1	FB6 - 0277 - 000	102 - 7	FB6 - 4710 - 000	640 - 24
FB6 - 0086 - 000	102 - 3	FB6 - 0278 - 000	102 - 8	FB6 - 4711 - 000	640 - 25
FB6 - 0094 - 000	103 - 4	FB6 - 0279 - 000	100 - 11	FB6 - 4712 - 000	640 - 26
FB6 - 0114 - 000	810 - 1	FB6 - 0283 - 000	100 - 12	FB6 - 4713 - 000	640 - 39 D
FB6 - 0115 - 000	810 - 2	FB6 - 0284 - 000	100 - 12	FB6 - 4761 - 000	640 - 40 A
FB6 - 0116 - 000	810 - 3	FB6 - 0286 - 000	330 - 20	FB6 - 4762 - 000	640 - 27
FB6 - 0121 - 000	810 - 4	FB6 - 0289 - 000	102 - 9	FB6 - 4763 - 000	640 - 39 E
FB6 - 0122 - 000	810 - 5	FB6 - 0290 - 000	930 - 1	FB6 - 4764 - 000	640 - 28
FB6 - 0123 - 000	100 - 2	FB6 - 0291 - 000	101 - 7	FB6 - 4765 - 000	640 - 39 F
FB6 - 0124 - 000	100 - 3	FB6 - 0292 - 000	930 - 2	FB6 - 4766 - 000	640 - 29
FB6 - 0125 - 000	100 - 4	FB6 - 0293 - 000	930 - 3	FB6 - 4768 - 000	100 - 17
FB6 - 0126 - 000	100 - 5	FB6 - 0295 - 000	930 - 4	FB6 - 4782 - 000	640 - 30
FB6 - 0127 - 000	100 - 6	FB6 - 0296 - 000	330 - 21	FB6 - 4783 - 000	100 - 18
FB6 - 0128 - 000	100 - 7	FB6 - 0297 - 000	330 - 22	FB6 - 4784 - 000	640 - 31
FB6 - 0133 - 000	130 - 1	FB6 - 0303 - 000	102 - 9	FB6 - 4785 - 000	100 - 19
FB6 - 0138 - 000	130 - 2	FB6 - 0307 - 000	102 - 10	FB6 - 4788 - 000	100 - 20
FB6 - 0139 - 000	130 - 3	FB6 - 0314 - 000	101 - 10 A	FB6 - 4789 - 000	100 - 20
FB6 - 0140 - 000	130 - 4	FB6 - 0321 - 000	250 - 1	FB6 - 4790 - 000	100 - 20
FB6 - 0141 - 000	130 - 5	FB6 - 0324 - 000	210 - 23	FB6 - 4791 - 000	100 - 20
FB6 - 0145 - 000	130 - 6	FB6 - 0328 - 000	300 - 19	FB6 - 4792 - 000	100 - 20
FB6 - 0147 - 000	103 - 5		301 - 8	FB6 - 4804 - 000	130 - 9
FB6 - 0157 - 000	330 - 6	FB6 - 0329 - 000	302 - 12	FB6 - 4805 - 000	130 - 9
FB6 - 0158 - 000	330 - 7	FB6 - 0330 - 000	160 - 1	FB6 - 4806 - 000	130 - 9
FB6 - 0160 - 000	320 - 1	FB6 - 0332 - 000	160 - 2	FB6 - 4807 - 000	130 - 9
FB6 - 0162 - 000	330 - 8	FB6 - 2299 - 000	130 - 7	FB6 - 4808 - 000	130 - 9
FB6 - 0164 - 000	102 - 4	FB6 - 2302 - 000	320 - 3 A	FB6 - 4809 - 000	130 - 10
FB6 - 0165 - 000	102 - 5	FB6 - 2303 - 000	100 - 12	FB6 - 4810 - 000	130 - 10
FB6 - 0166 - 000	330 - 9	FB6 - 2305 - 000	100 - 13	FB6 - 4811 - 000	130 - 10
FB6 - 0167 - 000	330 - 10	FB6 - 2306 - 000	100 - 14	FB6 - 4812 - 000	130 - 10

D NUMERICAL INDEX

PART NUMBER	FIGURE & KEY NO.	PART NUMBER	FIGURE & KEY NO.	PART NUMBER	FIGURE & KEY NO.
FB6 - 4814 - 000	130 - 10	FF6 - 2295 - 000	640 - 41	FH2 - 6935 - 000	103 - 22
FB6 - 4815 - 000	130 - 11	FF6 - 2296 - 000	640 - 42	B - J	6
FB6 - 4816 - 000	130 - 12	FF6 - 2297 - 000	640 - 43	B - J	3 2 1
FB6 - 4817 - 000	130 - 13	FF6 - 2299 - 000	640 - 44	FH2 - 6936 - 000	103 - 23
FB6 - 4818 - 000	130 - 14	FF6 - 2301 - 000	100 - 22	B - J	1
FB6 - 4819 - 000	130 - 12	FG3 - 3049 - 000	103 - 13	B - J	3 2 0
FB6 - 4822 - 000	640 - 32	FG3 - 3050 - 000	103 - 13	FH2 - 6937 - 000	103 - 24
FB6 - 4823 - 000	640 - 33	FG3 - 3051 - 00S	103 - 13	B - J	3 1 8
FB6 - 4824 - 000	640 - 34	FG3 - 3052 - 000	103 - 13	B - J	7 0 1
FB6 - 4825 - 000	640 - 35	FG6 - 7923 - 000	250 -	FH2 - 7012 - 000	930 - 15
FB6 - 4826 - 000	640 - 44 A	FG6 - 7924 - 000	250 - 4	B - J	2 5 1
FB6 - 4827 - 000	640 - 40 B	FG6 - 7925 - 000	460 -	B - J	6 5 1
FB6 - 4828 - 000	640 - 40 C	FG6 - 7926 - 000	320 -	FH3 - 2639 - 000	930 - 16
FB6 - 4829 - 000	640 - 39 G	FG6 - 7933 - 000	220 -	FH3 - 2643 - 000	930 - 16
FB6 - 4830 - 000	100 - 20	FG6 - 7944 - 000	160 -	FH3 - 2651 - 000	930 - 16
FB6 - 4831 - 000	100 - 21	FG6 - 7945 - 000	810 -	FH5 - 3221 - 000	130 - 16
FB6 - 4832 - 000	100 - 21	FG6 - 7946 - 000	810 - 7	FH6 - 0813 - 000	130 - 17
FB6 - 4833 - 000	100 - 21	FG6 - 7947 - 000	810 -	FH6 - 1921 - 000	102 - 28
FB6 - 4835 - 000	640 - 36	FG6 - 7948 - 000	810 - 7	FH6 - 1922 - 000	220 - 8
FB6 - 4837 - 000	640 - 37	FG6 - 7953 - 000	101 - 10	FH6 - 1923 - 000	250 - 6
FB6 - 4838 - 000	640 - 38	FG6 - 7954 - 000	330 - 23	FH6 - 5037 - 000	330 - 25
FB6 - 5504 - 000	161 - 5	FG6 - 7972 - 000	101 - 11	FH6 - 5038 - 000	103 - 25
FB6 - 5506 - 000	161 - 5	FG6 - 8547 - 000	930 - 5	FH7 - 6337 - 000	130 - 18
FB6 - 5507 - 000	161 - 5	FG6 - 8548 - 000	930 - 6	FH7 - 7565 - 000	210 - 32
FB6 - 5512 - 000	320 - 2	FG6 - 8550 - 000	220 - 7	FH7 - 7611 - 000	102 - 29
FB6 - 5514 - 000	161 - 6	FG6 - 8800 - 000	210 - 27	FL2 - 0004 - 000	161 - 42
FB6 - 5515 - 000	161 - 6	FG6 - 8801 - 000	210 - 28	FL2 - 0005 - 000	161 - 43
FB6 - 5516 - 000	161 - 6	FG6 - 8804 - 000	130 - 15	FL2 - 0006 - 000	161 - 44
FB6 - 5519 - 000	250 - 3	FG6 - 8805 - 000	130 - 15	FL2 - 0007 - 000	161 - 45
FC5 - 0002 - 000	161 - 7	FG6 - 8829 - 000	103 - 14	FL2 - 0008 - 000	161 - 46
FC5 - 0003 - 000	161 - 8	FG6 - 8830 - 000	103 - 14	FM2 - 0002 - 030	161 - 47
FC5 - 0004 - 000	161 - 9	FG6 - 8831 - 000	103 - 14	FM2 - 0004 - 000	240 -
FC5 - 0005 - 000	161 - 10	FG6 - 8833 - 000	930 - 7	FM2 - 0015 - 000	161 - 48
FC5 - 0006 - 000	161 - 11	FG6 - 8834 - 000	250 - 5	FS1 - 1512 - 000	161 - 49
FC5 - 0007 - 000	161 - 12	FG6 - 8836 - 000	161 - 41	FS1 - 1569 - 000	161 - 50
FC5 - 0009 - 000	161 - 13	FG6 - 8839 - 000	210 - 29	FS2 - 3511 - 000	161 - 51
FC5 - 0011 - 000	161 - 14	FG6 - 8840 - 000	103 - 15	FS2 - 9478 - 000	220 - 9
FC5 - 0013 - 000	161 - 15	FG6 - 8841 - 000	103 - 16	FS5 - 9739 - 000	220 - 10
FC5 - 0014 - 000	161 - 16	FG6 - 8844 - 000	103 - 17	FS5 - 9740 - 000	161 - 52
FC5 - 0018 - 000	161 - 17	FG6 - 8849 - 000	810 - 8		210 - 33
FC5 - 0019 - 000	161 - 18	FG6 - 9504 - 000	330 - 24	FS6 - 1091 - 000	640 - 47
FC5 - 0020 - 000	161 - 19	FG6 - 9513 - 000	130 -	FS6 - 1094 - 000	640 - 48
FC5 - 0021 - 000	161 - 20	FG6 - 9514 - 000	130 -	FS6 - 8992 - 000	100 - 25
FC5 - 0022 - 000	161 - 21	FG6 - 9515 - 000	130 -	FS7 - 0457 - 000	300 - 22
FC5 - 0023 - 020	161 - 22	FG6 - 9516 - 000	130 -	FS7 - 2201 - 000	300 - 23
FC5 - 0024 - 000	161 - 23	FG6 - 9517 - 000	130 -		301 - 9
FC5 - 0025 - 000	161 - 24	FG6 - 9518 - 000	130 -	FS7 - 2202 - 000	300 - 24
FC5 - 0026 - 000	161 - 25	FG6 - 9528 - 000	640 -		301 - 10
FC5 - 0027 - 000	161 - 26	FG6 - 9532 - 000	640 - 45	FS7 - 2211 - 000	302 - 15
FC5 - 0028 - 000	161 - 27	FG6 - 9533 - 000	640 - 46	FS7 - 2687 - 000	210 - 34
FC5 - 0029 - 000	161 - 28	FG6 - 9551 - 000	100 - 23	FS7 - 2689 - 000	330 - 26
FC5 - 0034 - 000	161 - 29	FG6 - 9552 - 000	100 - 24	FS7 - 2690 - 000	330 - 27
FC5 - 0035 - 000	161 - 30	FG6 - 9555 - 000	930 - 8	FS7 - 2691 - 000	100 - 26
FC5 - 0036 - 000	161 - 31	FG6 - 9556 - 000	102 - 24	FS7 - 2692 - 000	100 - 27
FC5 - 0037 - 000	161 - 32	FG6 - 9560 - 000	950 - 1	FS7 - 2693 - 000	100 - 28
FC5 - 0038 - 000	161 - 33	FG6 - 9573 - 000	950 -	FS7 - 2694 - 000	102 - 30
FC5 - 0039 - 000	102 - 23	FG6 - 9575 - 000	950 -	FS7 - 2695 - 000	103 - 26
	161 - 34	FG6 - 9577 - 000	950 -	FS7 - 2696 - 000	103 - 27
FC5 - 0042 - 000	161 - 44 A	FG6 - 9848 - 000	102 - 25	FS7 - 2697 - 000	101 - 13
FC5 - 0044 - 000	161 - 44 B	FG6 - 9849 - 000	102 - 26	FS7 - 2698 - 000	210 - 35
FC5 - 0047 - 000	161 - 35	FG6 - 9850 - 000	103 - 18	FS7 - 2700 - 000	810 - 9
FC5 - 0052 - 000	161 - 36	FG6 - 9851 - 000	101 - 12	FS7 - 2701 - 000	220 - 11
FC5 - 0054 - 000	161 - 37	FG6 - 9852 - 000	930 - 9	FS7 - 2921 - 000	102 - 31
FC5 - 0057 - 000	161 - 38	FG6 - 9853 - 000	102 - 24 A	FS7 - 2922 - 000	102 - 32
FC5 - 0060 - 000	161 - 43 A	FG6 - 9854 - 000	103 - 19	FS7 - 2923 - 000	102 - 33
FC5 - 0061 - 000	161 - 45 A	FG6 - 9860 - 000	103 - 20	FS7 - 2924 - 000	102 - 34
FC5 - 0063 - 000	161 - 43 B	FH2 - 5276 - 030	930 - 10	FS7 - 2926 - 000	640 - 49
FC5 - 0064 - 000	161 - 43 C	FH2 - 5761 - 020	930 - 11	FS7 - 2927 - 000	640 - 50
FC5 - 0065 - 000	240 - 1	FH2 - 5762 - 000	930 - 12	FS7 - 2928 - 000	640 - 51
FC5 - 0066 - 000	161 - 39	FH2 - 6578 - 000	930 - 13	FS7 - 2933 - 000	101 - 14
FC5 - 0070 - 000	161 - 40	FH2 - 6929 - 000	210 - 30	FU3 - 0068 - 000	250 - 7
FF5 - 9034 - 000	300 - 20		B - J	FU3 - 0069 - 000	250 - 8
FF5 - 9035 - 000	300 - 21		B - J	FU3 - 0070 - 000	250 - 9
FF5 - 9073 - 000	302 - 13	FH2 - 6931 - 000	210 - 31	FU3 - 0071 - 000	320 - 4
FF5 - 9074 - 000	302 - 14		B - J	FU3 - 0072 - 000	101 - 15
FF6 - 1435 - 000	210 - 24		B - J	FU3 - 0073 - 000	330 - 28
FF6 - 1437 - 000	810 - 6	FH2 - 6932 - 000	103 - 21	FU3 - 0074 - 000	330 - 29
FF6 - 1441 - 000	320 - 3		B - J	FU3 - 0075 - 000	220 - 12
FF6 - 1443 - 000	210 - 25		B - J	FU3 - 0076 - 000	220 - 13
	B - J	FH2 - 6933 - 000	930 - 14	FU3 - 0107 - 000	220 - 14
	B - J		B - J	FU3 - 0430 - 000	640 - 52
FF6 - 1455 - 000	103 - 12		B - J	FU3 - 0431 - 000	640 - 53
FF6 - 1456 - 000	210 - 26	FH2 - 6934 - 000	102 - 27	FU3 - 0432 - 000	640 - 54
FF6 - 2289 - 000	640 - 39		B - J	FU3 - 0433 - 000	640 - 55
FF6 - 2290 - 000	640 - 40		B - J	FU3 - 0434 - 000	640 - 56

D NUMERICAL INDEX

PART NUMBER	FIGURE & KEY NO.	PART NUMBER	FIGURE & KEY NO.	PART NUMBER	FIGURE & KEY NO.
FU3 - 0435 - 000	640 - 5 7	RF5 - 3272 - 000	101 - 2 0	WA1 - 6525 - 000	330 - 3 3
FU3 - 0436 - 000	640 - 5 8	RG5 - 5576 - 000	101 - 2 1	WE8 - 5885 - 000	210 - 3 6
FU3 - 0437 - 000	640 - 5 9	RG9 - 1473 - 000	250 - 1 6	WE8 - 5908 - 000	103 - 3 1
FU3 - 0441 - 000	330 - 2 4 A	RS6 - 0442 - 000	810 - 2 0	WE8 - 5941 - 000	220 - 7 A
FU5 - 0001 - 000	161 - 5 3	RS6 - 0443 - 000	810 - 2 1	WE8 - 5947 - 000	103 - 3 2
	161 - 5 4	RS6 - 0446 - 000	250 - 1 7	WG8 - 5309 - 000	101 - 2 4
FU5 - 0002 - 000	161 - 5 5	RS6 - 0447 - 000	250 - 1 8		102 - 3 5
	240 - 2	RS6 - 0448 - 000	250 - 1 9		103 - 3 3
FU5 - 1001 - 000	161 - 5 6	RS6 - 0449 - 000	250 - 2 0		810 - 2 4
FU5 - 1002 - 000	161 - 5 7	RS6 - 0450 - 000	250 - 2 1	WG8 - 5362 - 000	161 - 7 6
FU5 - 2001 - 000	161 - 5 8	RS6 - 0458 - 000	810 - 2 2		161 - 7 7
FU5 - 2002 - 000	161 - 5 9	RS6 - 2022 - 000	330 - 3 2	WK1 - 5112 - 000	950 - BAT 1
FU5 - 2003 - 000	161 - 6 0	RS6 - 2026 - 000	320 - 1 6	WK1 - 5133 - 000	950 - BAT 2
FU5 - 2004 - 000	161 - 6 1	RS6 - 2027 - 020	250 - 2 2	WS3 - 0437 - 000	B - J 3140
FU5 - 2005 - 000	161 - 6 2	RS6 - 2029 - 000	810 - 2 3	WS3 - 1226 - 000	B - J 107
FU5 - 2006 - 000	161 - 6 3	RS6 - 2030 - 000	101 - 2 2	WS3 - 1309 - 000	B - J 3126
FU5 - 2007 - 000	161 - 6 4	RS6 - 2031 - 000	250 - 2 3	WS3 - 5358 - 000	B - J 103
FU5 - 2008 - 000	161 - 6 5	RS6 - 8382 - 000	460 - 1		B - J 301
FU5 - 2009 - 000	161 - 6 6	VS1 - 0279 - 003	B - J 3140		B - J 3102
FU5 - 2010 - 000	161 - 6 7	VS1 - 0842 - 003	B - J 109		B - J 3111
FU5 - 3001 - 000	161 - 6 8		B - J 201		B - J 3112
FU5 - 3002 - 000	161 - 6 9		B - J 304		B - J 3113
FU5 - 3003 - 000	161 - 7 0		B - J 1051		B - J 3114
FU5 - 3004 - 000	240 - 3		B - J 1101	WS3 - 5569 - 000	B - J 314
FU5 - 3006 - 000	161 - 7 1		B - J 6521	WS3 - 5721 - 000	B - J 311
FU5 - 3007 - 000	161 - 7 2	VS1 - 0842 - 004	B - J 105	WT1 - 5155 - 000	B - J 2
FU5 - 6001 - 000	161 - 7 3		B - J 1102		B - J 4
FU5 - 6002 - 000	161 - 7 4		B - J 3121		B - J 81
FU5 - 6003 - 000	161 - 7 5	VS1 - 0861 - 003	B - J 652		B - J 102
HB1 - 3023 - 000	130 - 1 9	VS1 - 5057 - 003	250 - 5 A	WT2 - 5565 - 000	161 - 41 B
HB1 - 5127 - 000	130 - 2 0		930 - 5 A		210 - 29 B
HG1 - 4365 - 000	103 - 2 8		930 - 9 A	X71 - 7503 - 000	300 - 2 5
HG5 - 2587 - 000	103 - 2 8		B - J 1101		300 - 2 6
HG5 - 2598 - 000	103 - 2 8		B - J 2520	XA9 - 0265 - 000	161 - 7 8
HH2 - 2478 - 000	103 - 2 9		B - J 3124	XA9 - 0554 - 000	102 - 3 6
HH2 - 2824 - 000	103 - 2 9	VS1 - 5057 - 004	101 - 2 3	XA9 - 0663 - 000	640 - 6 4
MB5 - 0232 - 000	640 - 6 0		210 - 2 9 A	XA9 - 0770 - 000	640 - 6 5
MF4 - 0008 - 000	640 - 6 1		930 - 6 A	XA9 - 0813 - 000	102 - 3 7
MF4 - 0009 - 000	640 - 6 2		B - J 1102	XA9 - 0836 - 000	810 - 2 5
MS4 - 5000 - 000	640 - 6 3		B - J 3102	XA9 - 0903 - 000	302 - 1 6
RB2 - 2837 - 000	103 - 3 0		B - J 3121	XA9 - 0924 - 000	810 - 2 6
RB2 - 2843 - 000	330 - 3 0	VS1 - 5057 - 006	161 - 4 1 A	XA9 - 0931 - 000	100 - 3 0
RB2 - 2883 - 000	101 - 2 1 A		B - J 3111		102 - 3 8
RB2 - 2884 - 000	101 - 2 1 B	VS1 - 5057 - 011	930 - 9 B	XA9 - 0976 - 000	102 - 3 9
RB2 - 2885 - 000	101 - 2 1 C		B - J 2101	XA9 - 1164 - 000	102 - 4 0
RB2 - 2900 - 000	101 - 10 B	VS1 - 5076 - 003	B - J 653		103 - 3 4
RB2 - 2901 - 000	101 - 10 C		B - J 6530		250 - 2 4
RB2 - 2902 - 000	101 - 10 D	VS1 - 5824 - 003	B - J 3113		930 - 1 7
RB2 - 2903 - 000	101 - 10 E		B - J 3114	XB1 - 1300 - 807	103 - 501
RB2 - 2909 - 000	320 - 5	VS1 - 5824 - 004	B - J 103	XB1 - 2300 - 607	130 - 501
RB2 - 2910 - 000	320 - 6		B - J 301		161 - 501
RB2 - 2911 - 000	320 - 7		B - J 3102		210 - 501
RB2 - 2912 - 000	320 - 8	VS1 - 5824 - 006	B - J 3111		210 - 502
RB2 - 2913 - 000	320 - 9		B - J 3111		250 - 501
RB2 - 2918 - 000	320 - 10	VS1 - 6094 - 003	B - J 3112	XB1 - 2300 - 807	640 - 501
RB2 - 2919 - 000	320 - 11	VS1 - 6225 - 004	B - J 3122	XB1 - 2300 - 809	302 - 501
RB2 - 2920 - 000	320 - 12	VS1 - 6302 - 003	B - J 314	XB1 - 2400 - 609	161 - 502
RB2 - 2921 - 000	320 - 13	VS1 - 6314 - 003	B - J 252	XB2 - 7300 - 407	103 - 502
RB2 - 2922 - 000	320 - 14		B - J 308		240 - 501
RB2 - 2923 - 000	320 - 3 B	VS1 - 6314 - 004	B - J 310		250 - 502
RB2 - 2925 - 020	330 - 2 4 B	VS1 - 6314 - 007	B - J 352	XB3 - 6300 - 800	100 - 501
RB2 - 2926 - 020	330 - 3 1		B - J 391		101 - 501
RB2 - 2933 - 000	320 - 15	VS1 - 6314 - 008	B - J 104		102 - 501
RB2 - 2935 - 000	250 - 10		B - J 302		103 - 503
RB2 - 2936 - 000	250 - 11	VS1 - 6314 - 009	B - J 108	XB4 - 5300 - 806	640 - 502
RB2 - 2943 - 000	250 - 12		B - J 203	XB4 - 5300 - 809	130 - 502
RB2 - 2947 - 000	250 - 13	VS1 - 6314 - 010	B - J 106		161 - 503
RB2 - 2949 - 000	250 - 14		B - J 202	XB4 - 5401 - 007	100 - 502
RB2 - 2950 - 000	250 - 15		B - J 312		100 - 503
RB2 - 2973 - 000	810 - 10	VS1 - 6320 - 003	B - J 3124		101 - 502
RB2 - 2975 - 000	810 - 11	VS1 - 6321 - 003	B - J 2520		161 - 504
RB2 - 2977 - 000	810 - 12		B - J 2521		161 - 505
RB2 - 2978 - 000	810 - 13		B - J 3081		161 - 506
RB2 - 2985 - 000	810 - 14		B - J 3123		210 - 503
RB2 - 2986 - 000	810 - 15	VS1 - 6321 - 004	B - J 3102		330 - 501
RB2 - 3041 - 020	101 - 16		B - J 3121	XB4 - 7300 - 505	302 - 502
RB2 - 3042 - 020	101 - 17	VS1 - 6321 - 011	B - J 210	XB4 - 7400 - 809	300 - 501
RB2 - 3043 - 000	101 - 18		B - J 2101		301 - 501
RB2 - 3044 - 000	101 - 19	VS1 - 6757 - 015	B - J 311		302 - 503
RB2 - 3046 - 000	100 - 2 9	VS3 - 0320 - 006	B - J 3126	XB4 - 7401 - 009	101 - 503
RB2 - 3084 - 000	101 - 2 1 D	VS3 - 5080 - 002	B - J 4		102 - 502
RB2 - 6351 - 000	810 - 16		B - J 102		103 - 504
RB2 - 6357 - 000	810 - 17	VS3 - 5080 - 006	B - J 2	XB4 - 7403 - 509	102 - 503
RF5 - 2601 - 000	810 - 18		B - J 81	XB6 - 7300 - 607	220 - 501
RF5 - 2603 - 000	810 - 19	VS3 - 5118 - 003	B - J 107	XB6 - 7300 - 807	100 - 504

D NUMERICAL INDEX

PART NUMBER	FIGURE & KEY NO.	PART NUMBER	FIGURE & KEY NO.	PART NUMBER	FIGURE & KEY NO.
XB6 - 7300 - 807	102 - 504				
	103 - 505				
XD1 - 1104 - 131	220 - 502				
XD1 - 1104 - 635	300 - 502				
XD2 - 1100 - 202	102 - 505				
XD2 - 1100 - 242	161 - 507				
XD2 - 1100 - 322	102 - 506				
	161 - 508				
XD2 - 1100 - 402	220 - 503				
	161 - 509				
XD2 - 1100 - 502	161 - 510				
	102 - 507				
XD2 - 1100 - 642	102 - 508				
	161 - 511				
	161 - 512				
	161 - 513				
	161 - 514				
	330 - 502				
	640 - 503				
	161 - 515				
	240 - 502				
	300 - 503				
XD2 - 1200 - 202	300 - 503				
XD2 - 2300 - 302	330 - 503				
XD3 - 1160 - 142	101 - 504				
XD3 - 2200 - 082	161 - 516				
XD3 - 2200 - 102	161 - 517				
	161 - 518				
	161 - 519				
XD3 - 2200 - 122	161 - 520				
XD9 - 0159 - 000	101 - 10 F				
XF2 - 1605 - 240	161 - 79				
XF2 - 1606 - 440	240 - 4				
XF2 - 1611 - 240	161 - 80				
XF9 - 0404 - 000	161 - 81				
XF9 - 0525 - 000	161 - 82				

Prepared by
OFFICE IMAGING PRODUCTS DEVICE QUALITY ASSURANCE CENTER
CANON INC.
Printed in Japan

REVISION 0 [SEPT 2002]

5-1, Hakusan 7-chome, Toride-city, Ibaraki 302-8501, Japan



This publication is
printed on 100%
recycled paper.

Canon