

Parts lists and diagrams

How to use the parts lists and diagrams





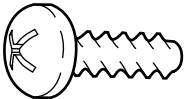
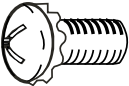
The figures in this chapter show the major subassemblies in the product and their component parts. A parts list table follows each exploded view assembly diagram. Each table lists the item number, the associated part number, and the description of each part. If a part is not listed in the table, then it is not a field replaceable unit (FRU).

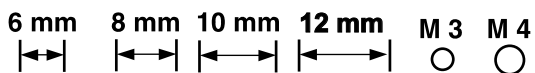
CAUTION: Be sure to order the correct part. When looking for part numbers for electrical components, pay careful attention to the voltage that is listed in the description column to ensure that the part number selected is for the correct product model.

NOTE: In this manual, the abbreviation “PCA” stands for “printed circuit board assembly.” Components described as a PCA might consist of a single circuit board or a circuit board plus other parts, such as cables and sensors.

Screws

Table 8-7 Common fasteners

Example	Description	Size	Part Number	Use
	Screw, machine, truss head	M3X6	XA9-1495-000CN	Used to secure metal to metal
		M2X10	XA9-1501-000CN	
	Screw, with washer	M3X8	XA9-1420-000CN	Used to secure metal components to metal components (for example, a ground wire to the frame)
		M3X6	XB2-7300-605CN	
		M3X6	XB2-8300-609CN	
	Screw, self-tapping	BH3X6	XB9-1503-000CN	Used to secure anything to plastic
		M4X10	XB4-5401-009CN	
		BH3X6	XB4-7300-609CN	
	Screw, P	M4x10	XB4-5401-005CN	Used to secure metal to plastic
	Screw, tapping, binding head	M3X6	XB4-5300-609CN	Used to secure anything to plastic
		M3X8	XB4-7300-805CN	
	Screw, D	M3X6	XA9-1670-000CN	Used to secure metal components to metal components (for example, a ground wire to the frame)



Scanner components and handset

External assemblies

Figure 8-1 External assemblies



Table 8-8 External assemblies

Ref	Description	Part number	Qty
1	Pickup-tray assembly, scanner	RM1-3419-000CN	1
2	Control-panel overlay	See Control-panel overlay on page 207 .	
3	Tray, delivery	RM1-8443-000CN	1
4	HP jewel	7121-8043	1
5	Handset, telephone	CB536-60102	1

ADF components

Figure 8-2 ADF components

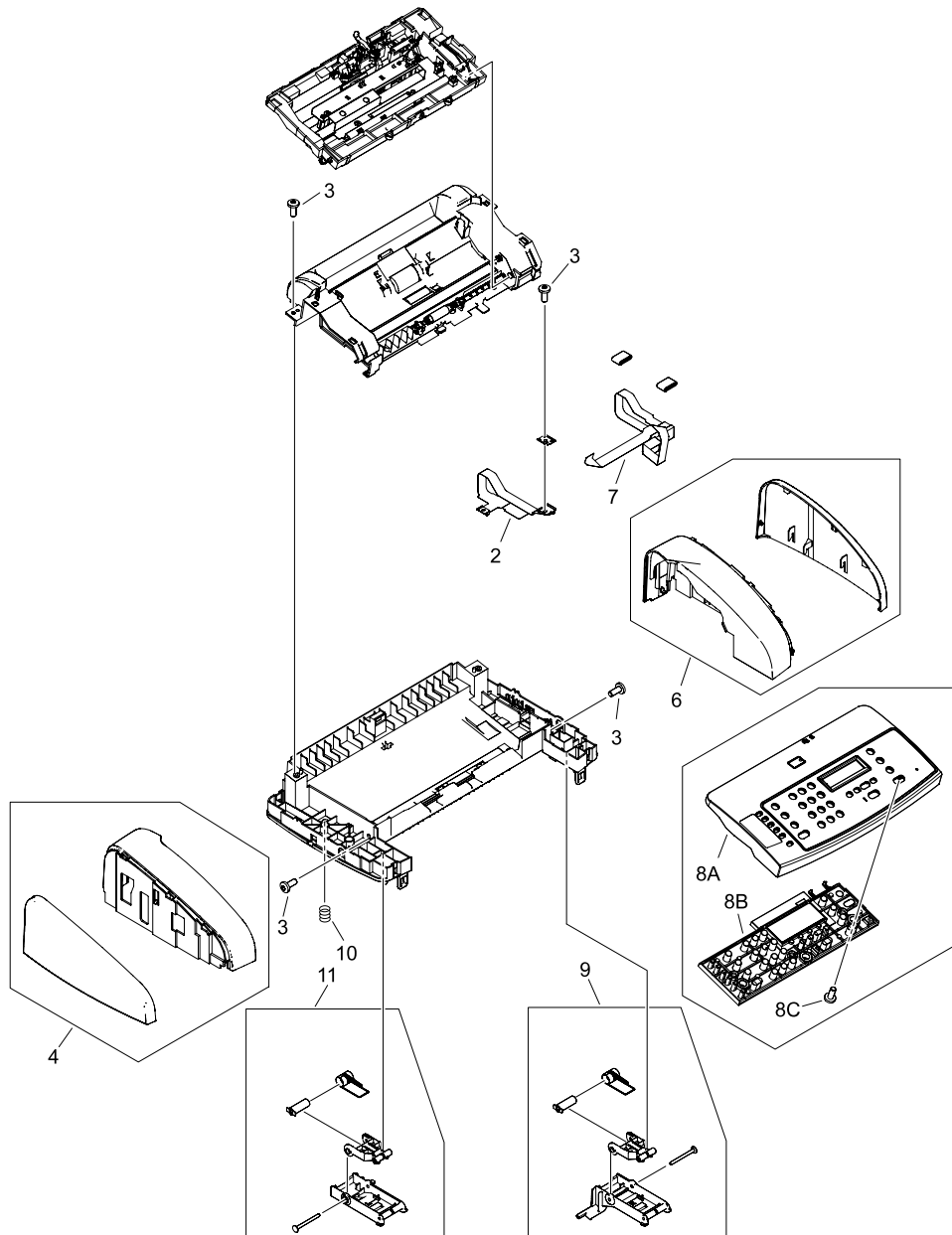


Table 8-9 ADF components

Ref	Description	Part number	Qty
2	Sheet, grounding scanner	RL1-0376-000CN	1
3	Screw, tap, M4X10	XB4-5401-009CN	6
4	Cover, left scanner	RM1-3076-020CN	1
6	Cover, right scanner	RM1-3077-000CN	1
7	Flat, flexible cable (FFC) scanner	RK2-1214-000CN	1
8A	Cover, top	RC2-5792-000CN	1
8B	Control-panel assembly, Western	RM1-5178-000CN	1
8B	Control-panel assembly, Asian	RM1-5179-000CN	1
8C	Screw, tap, M4X10	XB4-5401-009CN	3
9	Scanner link assembly, right	RM1-0897-000CN	1
10	Spring, tension scanner	RU5-2885-000CN	1
11	Scanner link assembly, left	RM1-0896-000CN	1

Frame assembly

Figure 8-3 Frame assembly

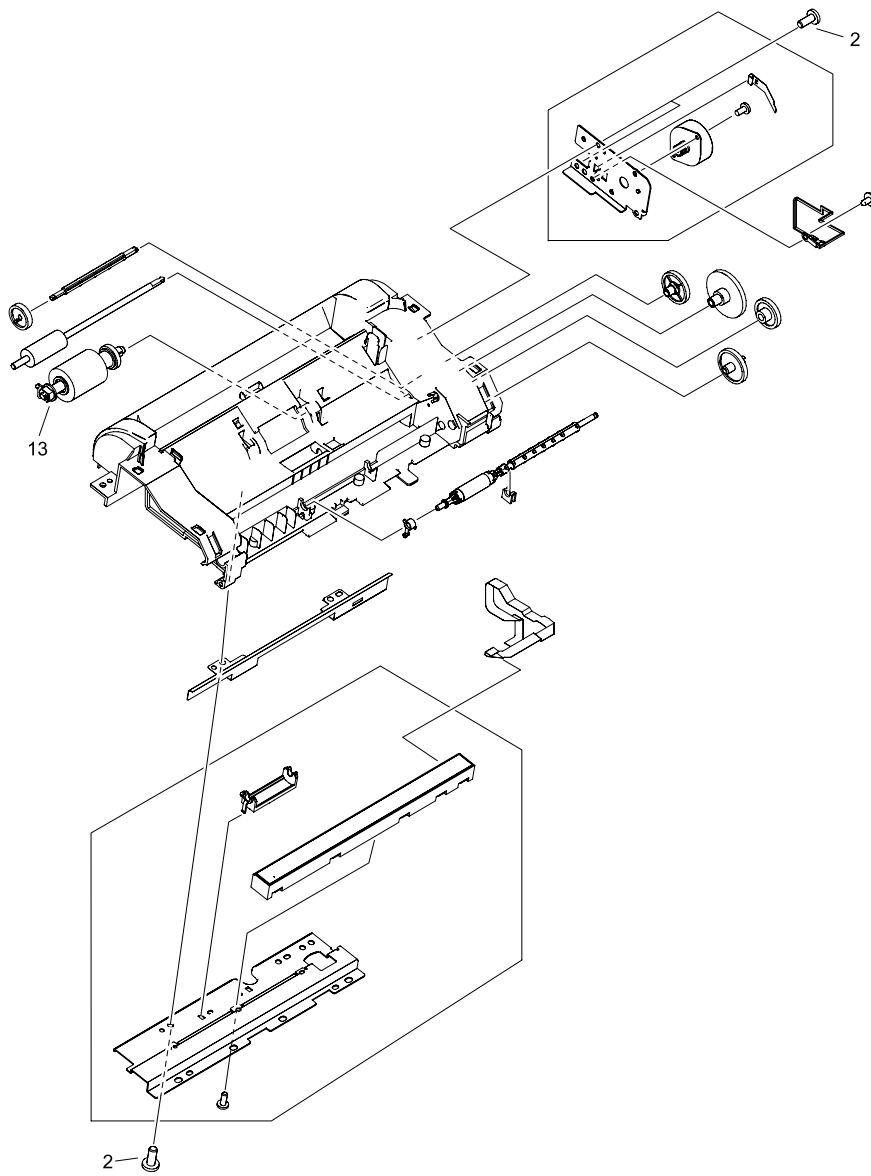


Table 8-10 Frame assembly

Ref	Description	Part number	Qty
All	Frame assembly	RM1-3063-000CN	1
2	Screw, P, M4X10	XB4-5401-005CN	1
13	Pickup-roller assembly, scanner	RM1-0885-000CN	1

Guide assembly

Figure 8-4 Guide assembly

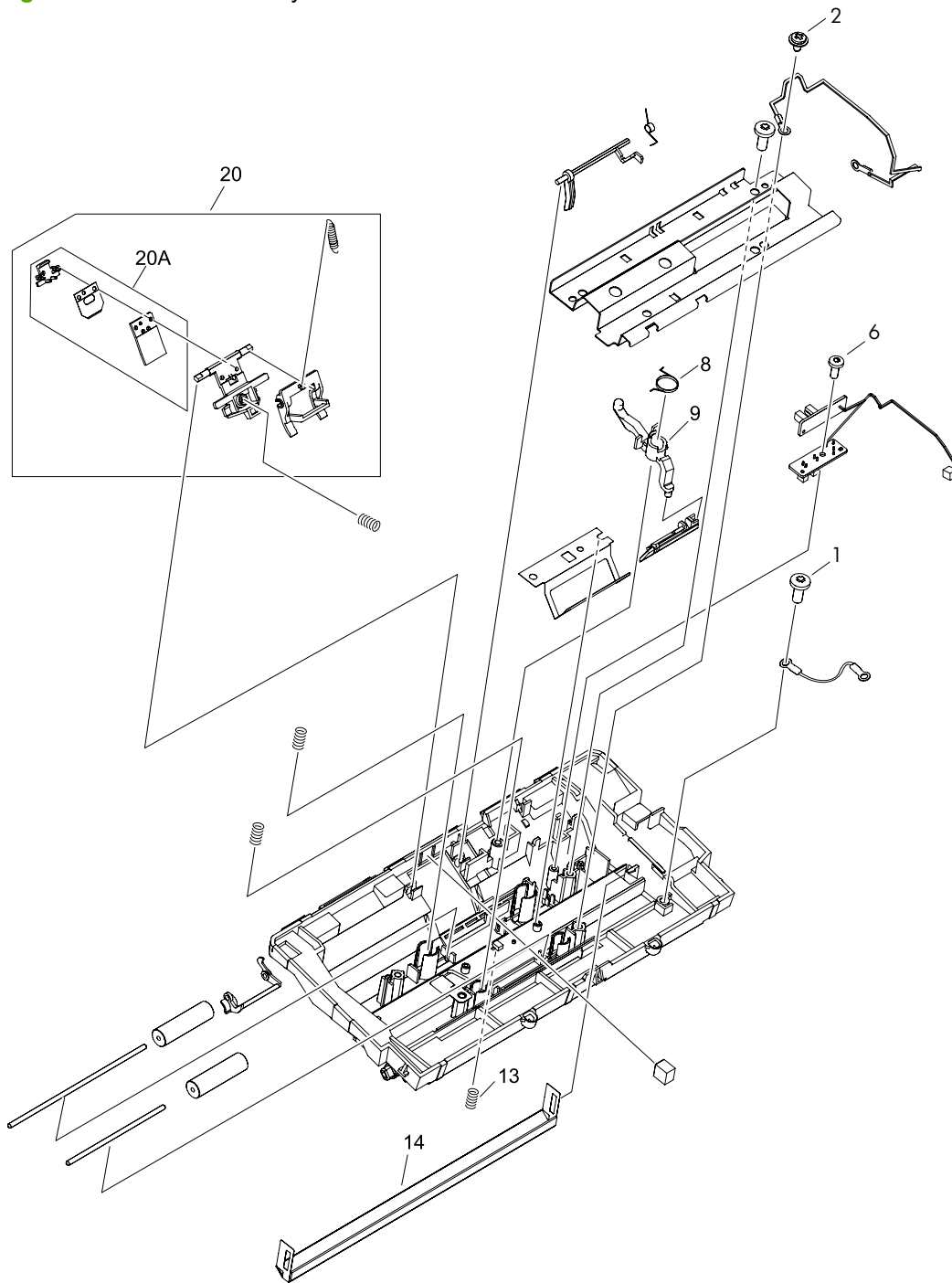


Table 8-11 Guide assembly

Ref	Description	Part number	Qty
All	Guide assembly, scanner	RM1-3066-000CN	1
1	Screw, self tapping, M4X10	XB4-5401-009CN	5
2	Screw, D, M3X6	XA9-1670-000CN	1
6	Screw, self-tapping binding head, M3X8	XB4-7300-805CN	1
8	Scanner media-lever torsion spring (lever, pressure convert)	RC1-2544-000CN	1
9	Scanner media lever (lever, pressure convert)	RC1-8413-000CN	1
13	Spring, compression, white platen	RU5-2196-000CN	3
14	Platen, white, scanner	RF5-3235-000CN	1
20	Separation-pad assembly, scanner	RM1-0890-000CN	1
20A	Separation-pad set, scanner	RM1-0891-000CN	1

 **NOTE:** The *separation-pad set* and the *separation-pad assembly* are two different assemblies.

The separation-pad set consists of the pad, clear plastic sheet, and the pad cover. The separation-pad set *is* a user-replaceable assembly.

The separation-pad assembly consists of the separation lever, tension spring, feed arm, and the components of the separation-pad set. The separation-pad assembly *is not* a user-replaceable assembly.

Only trained service personnel should attempt to replace the separation-pad assembly.

Product base

External assemblies and print cartridge

Figure 8-5 External assemblies and print cartridge

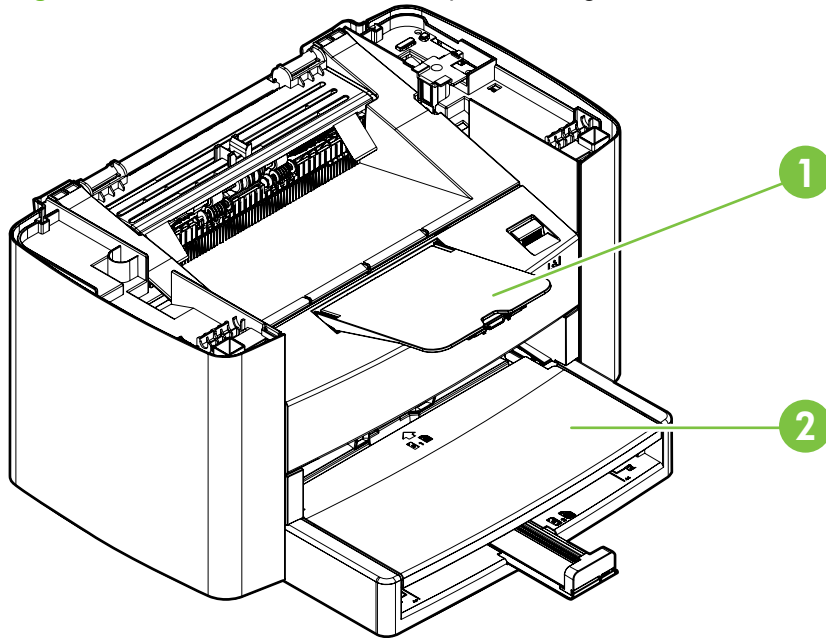


Table 8-12 External assemblies and print cartridge

Ref	Description	Part number	Qty
1	Delivery tray assembly	RM1-3059-000CN	1
2	Pickup tray assembly	RM1-3060-000CN	1
Not shown	Print cartridge	Q2612-67901	1

External covers

Figure 8-6 External covers

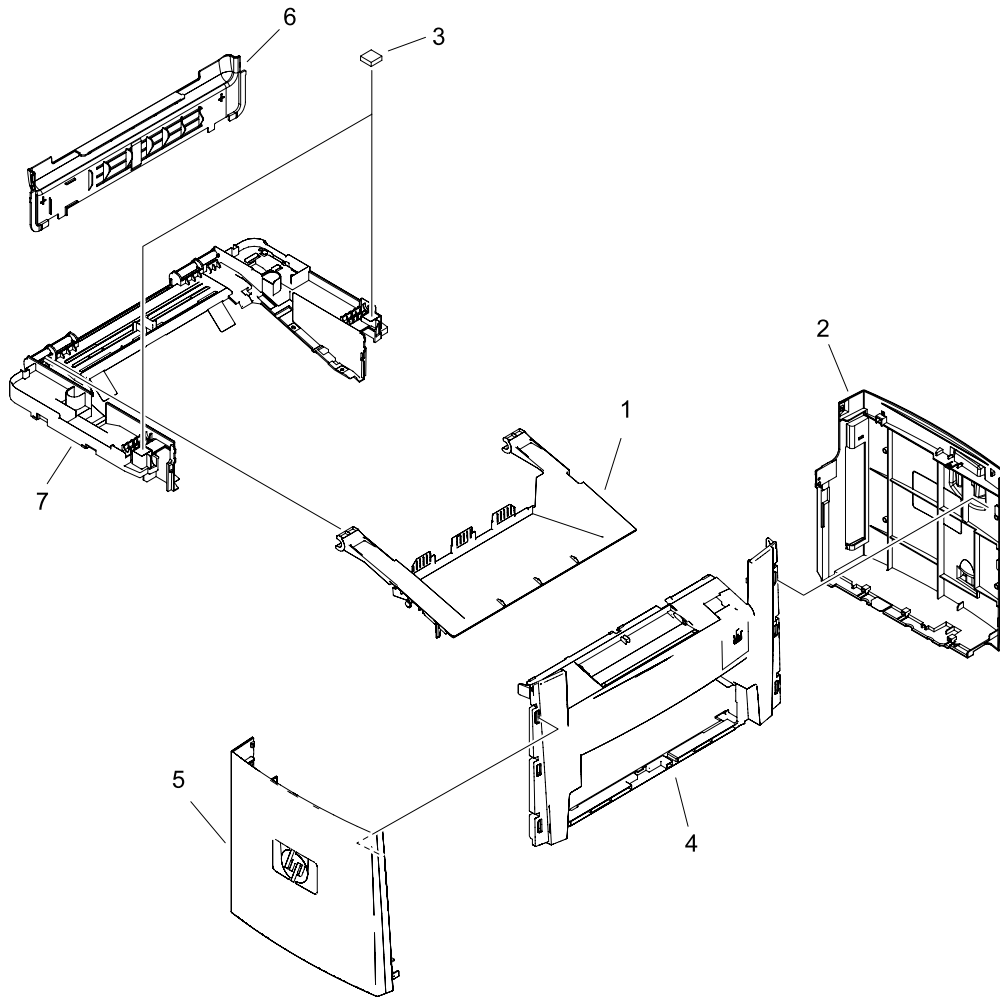


Table 8-13 External covers, printer

Ref	Description	Part number	Qty
1	Door, print cartridge	RC1-8372-000CN	1
2	Cover, right	RC2-5800-000CN	1
3	Scanner cushion	RC1-2476-000CN	2
4	Cover, front	RL1-1160-000CN	1
5	Cover, left	RC1-8373-000CN	1
6	Cover, rear	RC1-2474-020CN	1
7	Cover, top (scanner support-frame)	RL1-1161-000CN	1

Formatter and fax card

Figure 8-7 Formatter and fax card

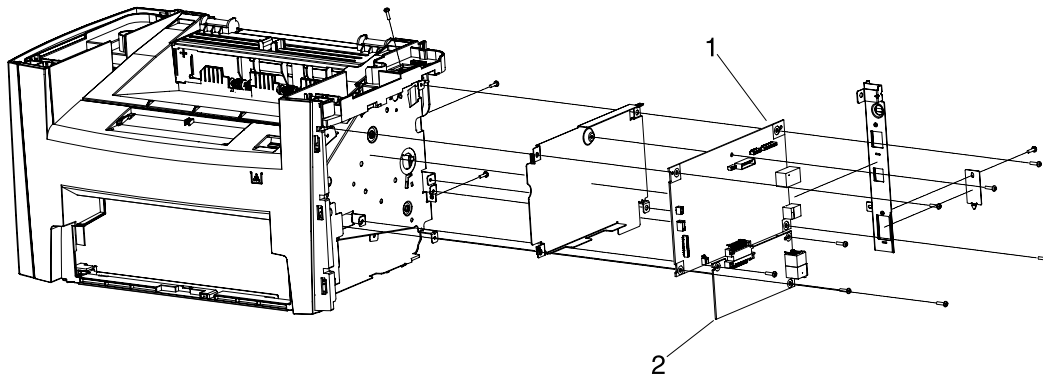


Table 8-14 Formatter and fax card

Ref	Description	Part number	Qty
1	Formatter, Western	CC391-60001	1
1	Formatter, Asian	CC541-60001	1
2	Fax card, US/AP	CC392-60001	1
2	Fax card, EMEA	CC396-60001	1

Internal components

Figure 8-8 Internal components (1 of 3)

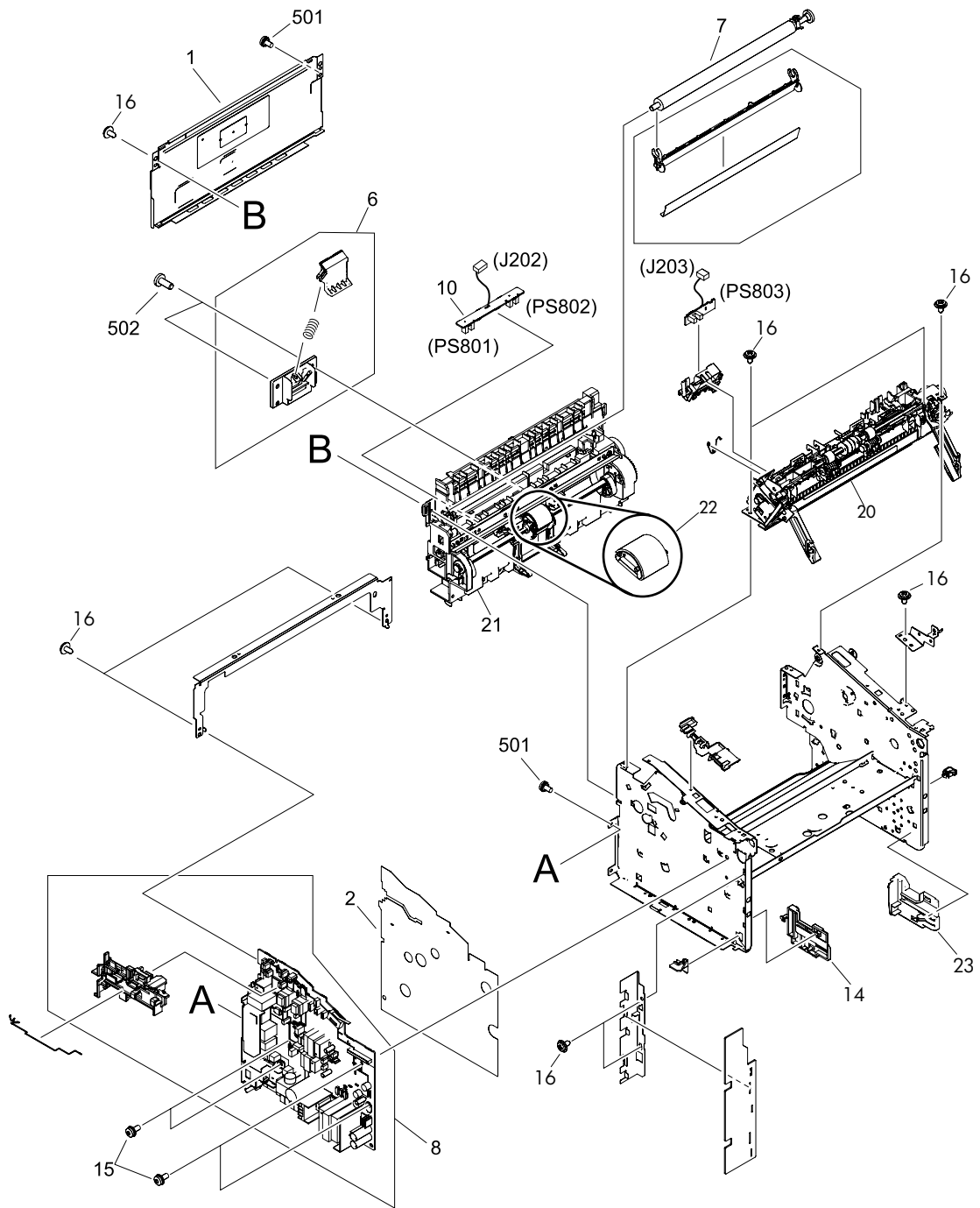


Table 8-15 Internal components (1 of 3)

Ref	Description	Part number	Qty
1	Panel, rear	RC1-8368-000CN	1
6	Separation-pad assembly, printer	RM1-2048-000CN	1
7	Transfer-roller assembly	RM1-2062-000CN	1
8	Power-supply assembly, 110-127 V	RM1-5280-000CN	1
8	Power-supply assembly, 220-240 V	RM1-5281-000CN	1
14	Guide, tray left	RC1-8389-000CN	1
15	Screw, rs, M3X8	XA9-1420-000CN	4
16	Screw, D	XA9-1670-000CN	19
20	Fuser, 110-127V	RM1-5363-000CN	1
20	Fuser, 220-240V	RM1-5364-000CN	1
21	Pickup assembly	RM1-3043-000CN	1
22	Roller, pickup, printer (product base)	RL1-0266-000CN	1
23	Guide, tray right	RC1-8390-000CN	1
501	Screw, with washer, M3X6	XB2-7300-605CN	2
502	Screw, tap, M4X10	XB4-5401-009CN	1

Figure 8-9 Internal components (2 of 3)

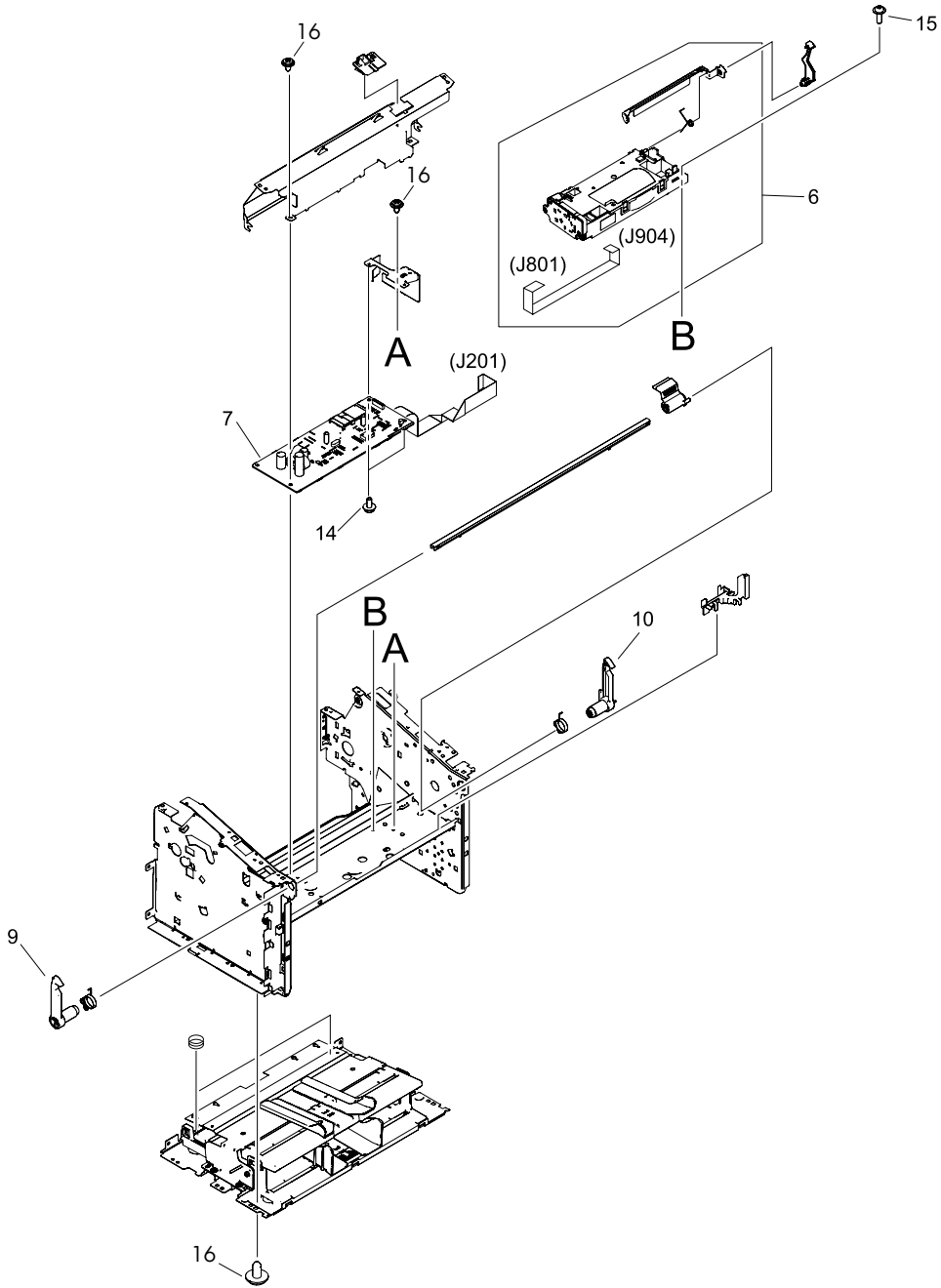


Table 8-16 Internal components (2 of 3)

Ref	Description	Part number	Qty
6	Laser/scanner assembly	RM1-2033-030CN	1
7	Engine-controller-PCB assembly	RM1-3404-000CN	1
9	Latch, left	RC1-2498-000CN	1
10	Latch, right	RC1-2499-000CN	1
14	Screw, rs, M3X8	XA9-1420-000CN	2
15	Screw, rs, M2X10	XA9-1501-000CN	4
16	Screw, D	XA9-1670-000CN	11

Figure 8-10 Internal components (3 of 3)

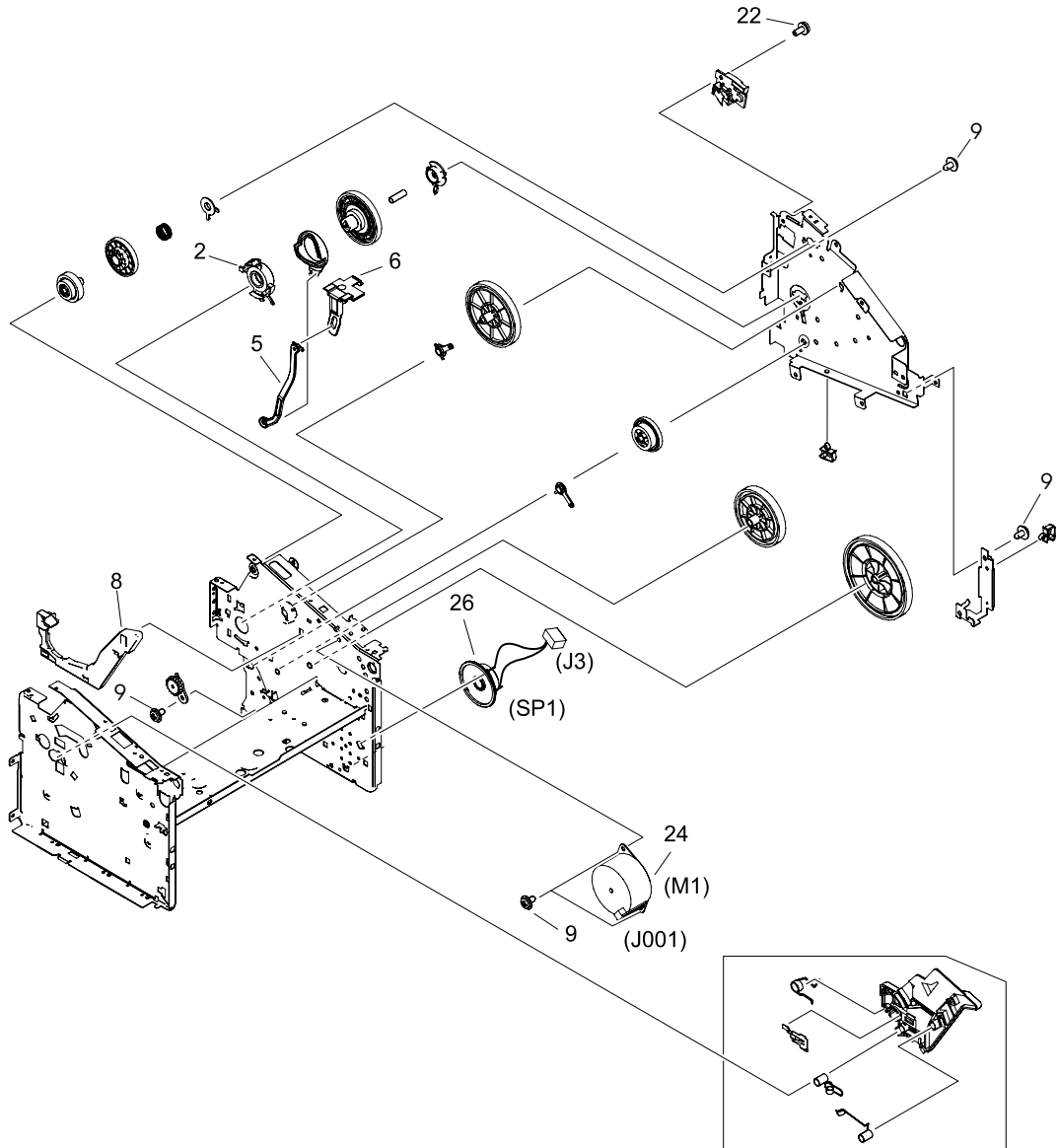


Table 8-17 Internal components (3 of 3)

Ref	Description	Part number	Qty
2	Bushing	RC1-1953-000CN	1
5	Link, coupling lower	RC1-2485-000CN	1
6	Link, coupling top	RC1-2494-000CN	1
8	Guide, tray right	RC1-8390-000CN	1
9	Screw, D	XA9-1670-000CN	9
Not shown	Guide, tray left	RC1-8389-000CN	1
22	Screw, with washer, M3x8	XA9-1420-000CN	1
24	Motor, stepping, dc	RK2-0777-000CN	1
26	Speaker assembly	RM1-3410-000CN	1

Alphabetical parts list

Table 8-18 Alphabetical parts list

Description	Part number	Table and page
Bushing	RC1-1953-000CN	Internal components (3 of 3) on page 231
Control-panel assembly, Asian	RM1-5179-000CN	ADF components on page 215
Control-panel assembly, Western	RM1-5178-000CN	ADF components on page 215
Control-panel overlay	See Control-panel overlay on page 207 .	External assemblies on page 213
Cover, front	RL1-1160-000CN	External covers, printer on page 223
Cover, left scanner	RM1-3076-020CN	ADF components on page 215
Cover, left	RC1-8373-000CN	External covers, printer on page 223
Cover, rear	RC1-2474-020CN	External covers, printer on page 223
Cover, right scanner	RM1-3077-000CN	ADF components on page 215
Cover, right	RC2-5800-000CN	External covers, printer on page 223
Cover, top	RC2-5792-000CN	ADF components on page 215
Cover, top (scanner support-frame)	RL1-1161-000CN	External covers, printer on page 223
Delivery tray assembly	RM1-3059-000CN	External assemblies and print cartridge on page 221
Door, print cartridge	RC1-8372-000CN	External covers, printer on page 223
Engine-controller-PCB assembly	RM1-3404-000CN	Internal components (2 of 3) on page 229
Fax card, EMEA	CC396-60001	Formatter and fax card on page 225
Fax card, US/AP	CC392-60001	Formatter and fax card on page 225
Flat, flexible cable (FFC) scanner	RK2-1214-000CN	ADF components on page 215
Formatter, Asian	CC541-60001	Formatter and fax card on page 225
Formatter, Western	CC391-60001	Formatter and fax card on page 225
Frame assembly	RM1-3063-000CN	Frame assembly on page 217
Fuser, 110-127V	RM1-5363-000CN	Internal components (1 of 3) on page 227
Fuser, 220-240V	RM1-5364-000CN	Internal components (1 of 3) on page 227

Table 8-18 Alphabetical parts list (continued)

Description	Part number	Table and page
Guide assembly, scanner	RM1-3066-000CN	Guide assembly on page 219
Guide, tray left	RC1-8389-000CN	Internal components (1 of 3) on page 227
Guide, tray left	RC1-8389-000CN	Internal components (3 of 3) on page 231
Guide, tray right	RC1-8390-000CN	Internal components (1 of 3) on page 227
Guide, tray right	RC1-8390-000CN	Internal components (3 of 3) on page 231
Handset, telephone	CB536-60102	External assemblies on page 213
HP jewel	7121-8043	External assemblies on page 213
Laser/scanner assembly	RM1-2033-030CN	Internal components (2 of 3) on page 229
Latch, left	RC1-2498-000CN	Internal components (2 of 3) on page 229
Latch, right	RC1-2499-000CN	Internal components (2 of 3) on page 229
Link, coupling lower	RC1-2485-000CN	Internal components (3 of 3) on page 231
Link, coupling top	RC1-2494-000CN	Internal components (3 of 3) on page 231
Motor, stepping, dc	RK2-0777-000CN	Internal components (3 of 3) on page 231
Panel, rear	RC1-8368-000CN	Internal components (1 of 3) on page 227
Pickup assembly	RM1-3043-000CN	Internal components (1 of 3) on page 227
Pickup tray assembly	RM1-3060-000CN	External assemblies and print cartridge on page 221
Pickup-roller assembly, scanner	RM1-0885-000CN	Frame assembly on page 217
Pickup-tray assembly, scanner	RM1-3419-000CN	External assemblies on page 213
Platen, white, scanner	RF5-3235-000CN	Guide assembly on page 219
Power-supply assembly, 110-127 V	RM1-5280-000CN	Internal components (1 of 3) on page 227
Power-supply assembly, 220-240 V	RM1-5281-000CN	Internal components (1 of 3) on page 227
Print cartridge	Q2612-67901	External assemblies and print cartridge on page 221
Roller, pickup, printer (product base)	RL1-0266-000CN	Internal components (1 of 3) on page 227

Table 8-18 Alphabetical parts list (continued)

Description	Part number	Table and page
Scanner cushion	RC1-2476-000CN	External covers, printer on page 223
Scanner link assembly, left	RM1-0896-000CN	ADF components on page 215
Scanner link assembly, right	RM1-0897-000CN	ADF components on page 215
Scanner media lever (lever, pressure convert)	RC1-8413-000CN	Guide assembly on page 219
Scanner media-lever torsion spring (lever, pressure convert)	RC1-2544-000CN	Guide assembly on page 219
Screw, D	XA9-1670-000CN	Internal components (1 of 3) on page 227
Screw, D	XA9-1670-000CN	Internal components (2 of 3) on page 229
Screw, D	XA9-1670-000CN	Internal components (3 of 3) on page 231
Screw, D, M3X6	XA9-1670-000CN	Guide assembly on page 219
Screw, P, M4X10	XB4-5401-005CN	Frame assembly on page 217
Screw, rs, M2X10	XA9-1501-000CN	Internal components (2 of 3) on page 229
Screw, rs, M3X8	XA9-1420-000CN	Internal components (1 of 3) on page 227
Screw, rs, M3X8	XA9-1420-000CN	Internal components (2 of 3) on page 229
Screw, self tapping, M4X10	XB4-5401-009CN	Guide assembly on page 219
Screw, self-tapping binding head, M3X8	XB4-7300-805CN	Guide assembly on page 219
Screw, tap, M4X10	XB4-5401-009CN	ADF components on page 215
Screw, tap, M4X10	XB4-5401-009CN	ADF components on page 215
Screw, tap, M4X10	XB4-5401-009CN	Internal components (1 of 3) on page 227
Screw, with washer, M3X6	XB2-7300-605CN	Internal components (1 of 3) on page 227
Screw, with washer, M3x8	XA9-1420-000CN	Internal components (3 of 3) on page 231
Separation-pad assembly, scanner	RM1-0890-000CN	Guide assembly on page 219
Separation-pad assembly, printer	RM1-2048-000CN	Internal components (1 of 3) on page 227
Separation-pad set, scanner	RM1-0891-000CN	Guide assembly on page 219
Sheet, grounding scanner	RL1-0376-000CN	ADF components on page 215
Speaker assembly	RM1-3410-000CN	Internal components (3 of 3) on page 231
Spring, compression, white platen	RU5-2196-000CN	Guide assembly on page 219
Spring, tension scanner	RU5-2885-000CN	ADF components on page 215

Table 8-18 Alphabetical parts list (continued)

Description	Part number	Table and page
Transfer-roller assembly	RM1-2062-000CN	Internal components (1 of 3) on page 227
Tray, delivery	RM1-8443-000CN	External assemblies on page 213

Numerical parts list

Table 8-19 Numerical parts list

Part number	Description	Table and page
7121-8043	HP jewel	External assemblies on page 213
CB536-60102	Handset, telephone	External assemblies on page 213
CC391-60001	Formatter, Western	Formatter and fax card on page 225
CC392-60001	Fax card, US/AP	Formatter and fax card on page 225
CC396-60001	Fax card, EMEA	Formatter and fax card on page 225
CC541-60001	Formatter, Asian	Formatter and fax card on page 225
Q2612-67901	Print cartridge	External assemblies and print cartridge on page 221
RC1-1953-000CN	Bushing	Internal components (3 of 3) on page 231
RC1-2474-020CN	Cover, rear	External covers, printer on page 223
RC1-2476-000CN	Scanner cushion	External covers, printer on page 223
RC1-2485-000CN	Link, coupling lower	Internal components (3 of 3) on page 231
RC1-2494-000CN	Link, coupling top	Internal components (3 of 3) on page 231
RC1-2498-000CN	Latch, left	Internal components (2 of 3) on page 229
RC1-2499-000CN	Latch, right	Internal components (2 of 3) on page 229
RC1-2544-000CN	Scanner media-lever torsion spring (lever, pressure convert)	Guide assembly on page 219
RC1-8368-000CN	Panel, rear	Internal components (1 of 3) on page 227
RC1-8372-000CN	Door, print cartridge	External covers, printer on page 223
RC1-8373-000CN	Cover, left	External covers, printer on page 223
RC1-8389-000CN	Guide, tray left	Internal components (1 of 3) on page 227
RC1-8389-000CN	Guide, tray left	Internal components (3 of 3) on page 231
RC1-8390-000CN	Guide, tray right	Internal components (1 of 3) on page 227

Table 8-19 Numerical parts list (continued)

Part number	Description	Table and page
RC1-8390-000CN	Guide, tray right	Internal components (3 of 3) on page 231
RC1-8413-000CN	Scanner media lever (lever, pressure convert)	Guide assembly on page 219
RC2-5792-000CN	Cover, top	ADF components on page 215
RC2-5800-000CN	Cover, right	External covers, printer on page 223
RF5-3235-000CN	Platen, white, scanner	Guide assembly on page 219
RK2-0777-000CN	Motor, stepping, dc	Internal components (3 of 3) on page 231
RK2-1214-000CN	Flat, flexible cable (FFC) scanner	ADF components on page 215
RL1-0266-000CN	Roller, pickup, printer (product base)	Internal components (1 of 3) on page 227
RL1-0376-000CN	Sheet, grounding scanner	ADF components on page 215
RL1-1160-000CN	Cover, front	External covers, printer on page 223
RL1-1161-000CN	Cover, top (scanner support-frame)	External covers, printer on page 223
RM1-0885-000CN	Pickup-roller assembly, scanner	Frame assembly on page 217
RM1-0890-000CN	Separation-pad assembly, scanner	Guide assembly on page 219
RM1-0891-000CN	Separation-pad set, scanner	Guide assembly on page 219
RM1-0896-000CN	Scanner link assembly, left	ADF components on page 215
RM1-0897-000CN	Scanner link assembly, right	ADF components on page 215
RM1-2033-030CN	Laser/scanner assembly	Internal components (2 of 3) on page 229
RM1-2048-000CN	Separation-pad assembly, printer	Internal components (1 of 3) on page 227
RM1-2062-000CN	Transfer-roller assembly	Internal components (1 of 3) on page 227
RM1-3043-000CN	Pickup assembly	Internal components (1 of 3) on page 227
RM1-3059-000CN	Delivery tray assembly	External assemblies and print cartridge on page 221
RM1-3060-000CN	Pickup tray assembly	External assemblies and print cartridge on page 221
RM1-3063-000CN	Frame assembly	Frame assembly on page 217
RM1-3066-000CN	Guide assembly, scanner	Guide assembly on page 219
RM1-3076-020CN	Cover, left scanner	ADF components on page 215
RM1-3077-000CN	Cover, right scanner	ADF components on page 215
RM1-3404-000CN	Engine-controller-PCB assembly	Internal components (2 of 3) on page 229

Table 8-19 Numerical parts list (continued)

Part number	Description	Table and page
RM1-3410-000CN	Speaker assembly	Internal components (3 of 3) on page 231
RM1-3419-000CN	Pickup-tray assembly, scanner	External assemblies on page 213
RM1-5178-000CN	Control-panel assembly, Western	ADF components on page 215
RM1-5179-000CN	Control-panel assembly, Asian	ADF components on page 215
RM1-5280-000CN	Power-supply assembly, 110-127 V	Internal components (1 of 3) on page 227
RM1-5281-000CN	Power-supply assembly, 220-240 V	Internal components (1 of 3) on page 227
RM1-5363-000CN	Fuser, 110-127V	Internal components (1 of 3) on page 227
RM1-5364-000CN	Fuser, 220-240V	Internal components (1 of 3) on page 227
RM1-8443-000CN	Tray, delivery	External assemblies on page 213
RU5-2196-000CN	Spring, compression, white platen	Guide assembly on page 219
RU5-2885-000CN	Spring, tension scanner	ADF components on page 215
See Control-panel overlay on page 207 .	Control-panel overlay	External assemblies on page 213
XA9-1420-000CN	Screw, rs, M3X8	Internal components (1 of 3) on page 227
XA9-1420-000CN	Screw, rs, M3X8	Internal components (2 of 3) on page 229
XA9-1420-000CN	Screw, with washer, M3x8	Internal components (3 of 3) on page 231
XA9-1501-000CN	Screw, rs, M2X10	Internal components (2 of 3) on page 229
XA9-1670-000CN	Screw, D, M3X6	Guide assembly on page 219
XA9-1670-000CN	Screw, D	Internal components (1 of 3) on page 227
XA9-1670-000CN	Screw, D	Internal components (2 of 3) on page 229
XA9-1670-000CN	Screw, D	Internal components (3 of 3) on page 231
XB2-7300-605CN	Screw, with washer, M3X6	Internal components (1 of 3) on page 227
XB4-5401-005CN	Screw, P, M4X10	Frame assembly on page 217
XB4-5401-009CN	Screw, tap, M4X10	ADF components on page 215
XB4-5401-009CN	Screw, tap, M4X10	ADF components on page 215
XB4-5401-009CN	Screw, self tapping, M4X10	Guide assembly on page 219

Table 8-19 Numerical parts list (continued)

Part number	Description	Table and page
XB4-5401-009CN	Screw, tap, M4X10	Internal components (1 of 3) on page 227
XB4-7300-805CN	Screw, self-tapping binding head, M3X8	Guide assembly on page 219

