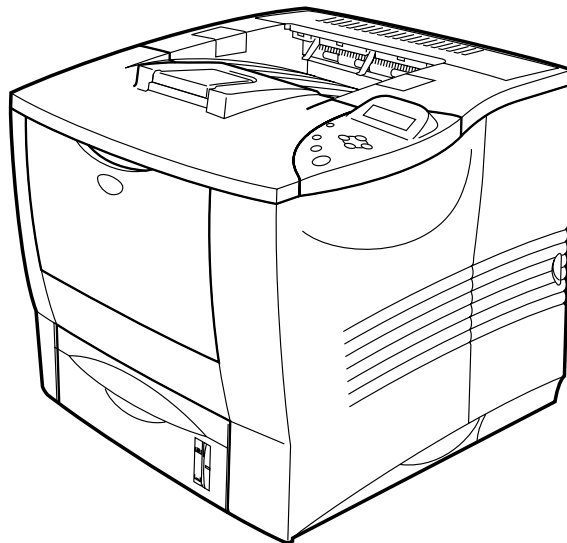




Brother Laser Printer **PARTS REFERENCE LIST**

MODEL: HL-7050 / 7050N



Read this list thoroughly before maintenance work.

Keep this list in a convenient place for quick and easy reference at all times.

NOTE FOR USING THIS PARTS REFERENCE LIST

1. In the case of ordering parts, it needs mentioning the following items:

- (1) Code
- (2) Q'ty
- (3) Description
- (4) Symbol (PCB No., Revision , and Parts location mounted on the PCB.)

Note: No orders without Parts Code or Tool No. can be accepted.

< Example >

| REF.NO. | CODE | Q'TY | DESCRIPTION | SYMBOL | REMARK |
|---------|------|------|-------------|--------|--------|
| | | | | | |

Revision No.: marked on the **main printed circuit board**.

B48K056 - 201A



Revision No.: marked on the **power supply printed circuit board**.

Rev. A



2. Design-changed parts:

If the parts are changed, any one of the following symbols is indicated in the REMARKS column.

- #A: Compatible between old and new
- #B: Replaceable from old to new
- #D: Incompatible
- #: Newly established

3. The original of this list was made based on the information available in September 2001.

4. Parts are subject to change in design without prior notice.

CONTENTS

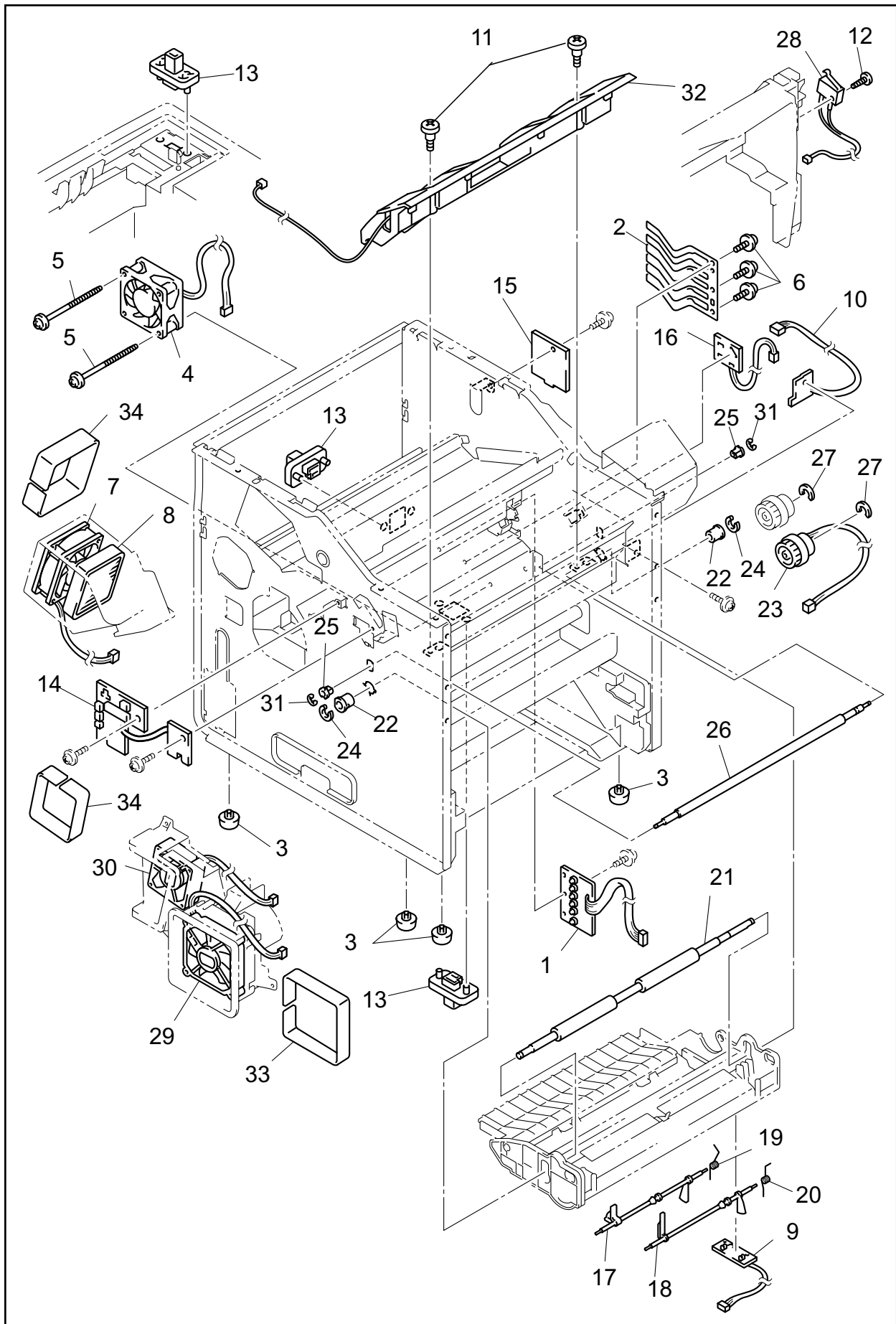
| | | |
|-----|--|----|
| 1. | <u>FRAME</u> | 1 |
| 2. | <u>DRIVE</u> | 3 |
| 3. | <u>LASER UNIT</u> | 5 |
| 4. | <u>PAPER EJECT</u> | 5 |
| 5. | <u>PAPER FEED</u> | 7 |
| 6. | <u>MP TRAY</u> | 7 |
| 7. | <u>PAPER TRAY</u> | 9 |
| 8. | <u>FIXING UNIT</u> | 11 |
| 9. | <u>COVERS / LABELS</u> | 13 |
| 10. | <u>SWITCH PANEL</u> | 15 |
| 11. | <u>MAIN PCB</u> | 15 |
| 12. | <u>ENGINE PCB</u> | 17 |
| 13. | <u>HIGH-VOLTAGE POWER SUPPLY PCB</u> | 17 |
| 14. | <u>LOW-VOLTAGE POWER SUPPLY PCB</u> | 19 |
| 15. | <u>AC CORDS</u> | 19 |
| 16. | <u>ACCESSORIES</u> | 21 |
| 17. | <u>PACKING MATERIALS</u> | 23 |
| 18. | <u>PERIODICAL MAINTENANCE PARTS</u> | 25 |
| 19. | <u>NET WORKBOARD</u> | 27 |
| 20. | <u>TCO099</u> | 29 |

1. FRAME

| REF.NO | CODE | Q'TY | DESCRIPTION | REMARK |
|--------|-----------|------|--------------------------------|--------|
| 1 | LJ9044001 | 1 | SIZE SW PCB ASSY | |
| 2 | LJ1568001 | 1 | SIZE SW SPRING | |
| 3 | UH2208001 | 4 | RUBBER FOOT | |
| 4 | LJ0259001 | 1 | FAN MOTOR 60 | |
| 5 | LJ0670001 | 2 | TAPTITE, PAN B M3X35 | |
| 6 | LJ0822001 | 3 | TAPTITE, CUP S M3X4 | |
| 7 | LJ1135001 | 1 | DC FAN AUB0624 | |
| 8 | LJ1136001 | 1 | FILTER TAK-CR | |
| 9 | LJ9036001 | 1 | REGIST SENSOR PCB ASSY | |
| 10 | LJ9040001 | 1 | RELEASE MOTOR SENSOR PCB ASSY | |
| 11 | UF9823001 | 2 | SHOULDER SCREW | |
| 12 | LJ0941001 | 1 | SCREW, BIND P TITE 2.3X16 | |
| 13 | LJ8455001 | 3 | CONNECTOR:52968-0611 | |
| 14 | LJ9046001 | 1 | LEFT SIDE PCB ASSY | |
| 15 | LJ9049001 | 1 | REAR RELAY PCB ASSY | |
| 16 | LJ9051001 | 1 | TONER LED PCB ASSY | |
| 17 | LJ1159001 | 1 | TIP ACTUATOR | |
| 18 | LJ1160001 | 1 | REGIST ACTUATOR | |
| 19 | LJ1161001 | 1 | COIL SPRING TIP | |
| 20 | LJ1162001 | 1 | COIL SPRING REGIST | |
| 21 | LJ1166001 | 1 | REGIST ROLLER | |
| 22 | UD4152001 | 2 | BEARING A | |
| 23 | LJ1244001 | 1 | ELECTROMAGNETIC DEVELOP CLUTCH | |
| 24 | LJ1168001 | 2 | COLLAR 8 | |
| 25 | LJ1169001 | 2 | BEARING AM | |
| 26 | LJ1170001 | 1 | PINCH ROLLER | |
| 27 | LJ1175001 | 2 | COLLAR 6 | |
| 28 | LJ1210001 | 1 | INTERLOCK SW ASSY | |
| 29 | UL9033001 | 1 | FAN MOTOR | |
| 30 | LJ1651001 | 1 | FAN MOTOR 60-3P | |
| 31 | LJ1209001 | 2 | COLLAR 4 | |
| 32 | LJ1204001 | 1 | FRONT GUIDE ASSY | |
| 33 | LJ1214001 | 1 | MAIN FAN FOAM | |
| 34 | LJ1215001 | 2 | SUB FAN FOAM | |

MODEL HL-7050/7050N 84T-U07/08-500

1. FRAME



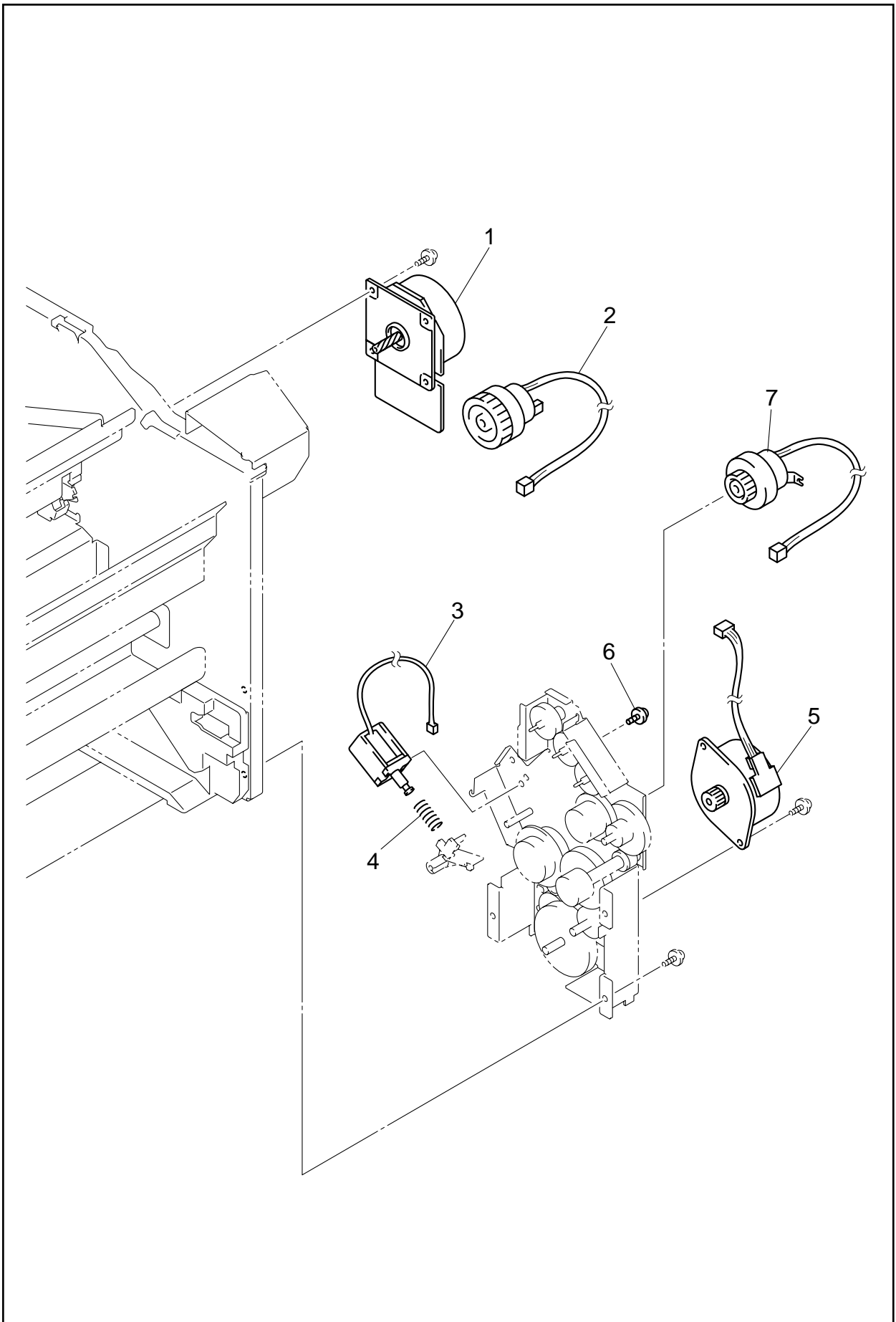
MODEL HL-7050/7050N 84T-U07/08-500

2. DRIVE

| REF.NO. | CODE | Q'TY | DESCRIPTION | REMARK |
|---------|-----------|------|--------------------------------|--------|
| 1 | LJ1252001 | 1 | MAIN MOTOR ASSY | |
| 2 | LJ1244001 | 1 | ELECTROMAGNETIC DEVELOP CLUTCH | |
| 3 | LJ1554001 | 1 | SOLENOID ASSY | |
| 4 | LJ0309001 | 1 | SOLENOID SPRING MP | |
| 5 | LJ1278001 | 1 | FEEDING MOTOR ASSY | |
| 6 | U11776001 | 1 | SCREW, FLANGED M3X3.5 | |
| 7 | LJ1280001 | 1 | ELECTROMAGNETIC FEED CLUTCH | |

MODEL HL-7050/7050N 84T-U07/08-550

2. DRIVE



MODEL HL-7050/7050N 84T-U07/08-550

3. LASER UNIT

| REF.NO. | CODE | Q'TY | DESCRIPTION | REMARK |
|---------|-----------|------|----------------------|--------|
| 1 | LJ1304001 | 1 | SCANNER UNIT (SP) | |
| 2 | 087321615 | 4 | TAPTITE, CUP S M3X16 | |

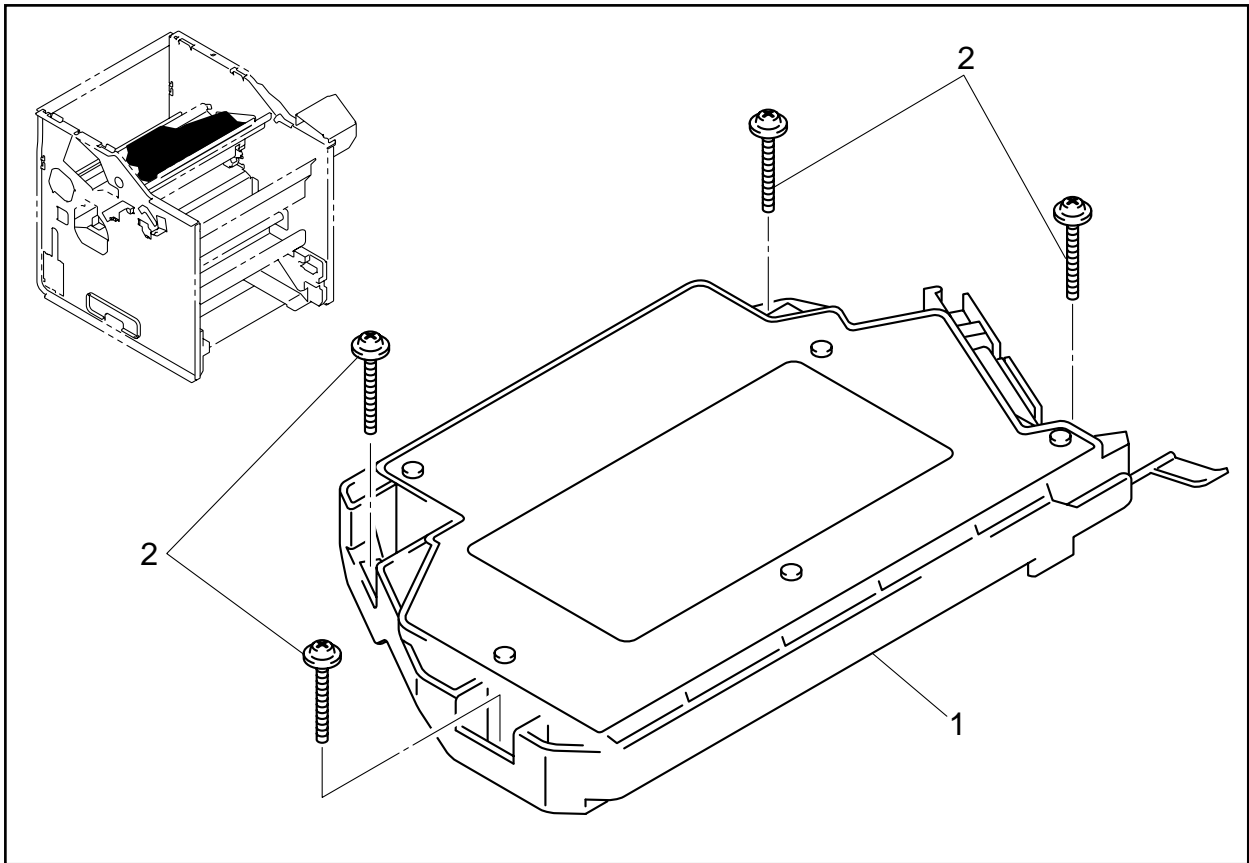
MODEL HL-7050/7050N 84T-U07/08-700

4. PAPER EJECT

| REF.NO. | CODE | Q'TY | DESCRIPTION | REMARK |
|---------|-----------|------|---------------------------|--------|
| 1 | LJ1098001 | 1 | PAPER EJECT UNIT | |
| 1-1 | UH3323001 | 4 | EJECT PINCH ROLLER ASSY | |
| 1-2 | UH3948001 | 4 | PINCH SPRING | |
| 1-3 | LJ0668001 | 2 | EJECT ROLLER ASSY | |
| 1-4 | LJ0657001 | 2 | EJECT ROLLER GROUND PLATE | |
| 1-5 | LJ0477001 | 4 | BEARING 6 | |
| 1-6 | LJ0718001 | 1 | REAR ACTUATOR 4 | |
| 1-7 | LJ9034001 | 1 | REAR SENSOR PCB ASSY | |
| 1-8 | LJ0110001 | 1 | REAR ACTUATOR 3 | |
| 1-9 | LJ0111001 | 1 | REAR TRAY ACTUATOR | |
| 1-10 | LJ0112001 | 1 | REAR TRAY ACTUATOR SPRING | |
| 1-11 | 087310815 | 1 | TAPTITE, CUP B M3X8 | |
| 1-12 | 085310815 | 2 | TAPTITE, BIND B M3X8 | |
| 1-13 | 048040346 | 2 | RETAINING RING, E4 | |
| 1-14 | LJ1562001 | 4 | CORRUGATED COLLAR | |
| 1-15 | 048030346 | 2 | RETAINING RING, E3 | |
| 2 | 087320816 | 2 | TAPTITE, CUP S M3X8 | |
| 3 | LJ1103001 | 1 | EJECTION GEAR UNIT | |

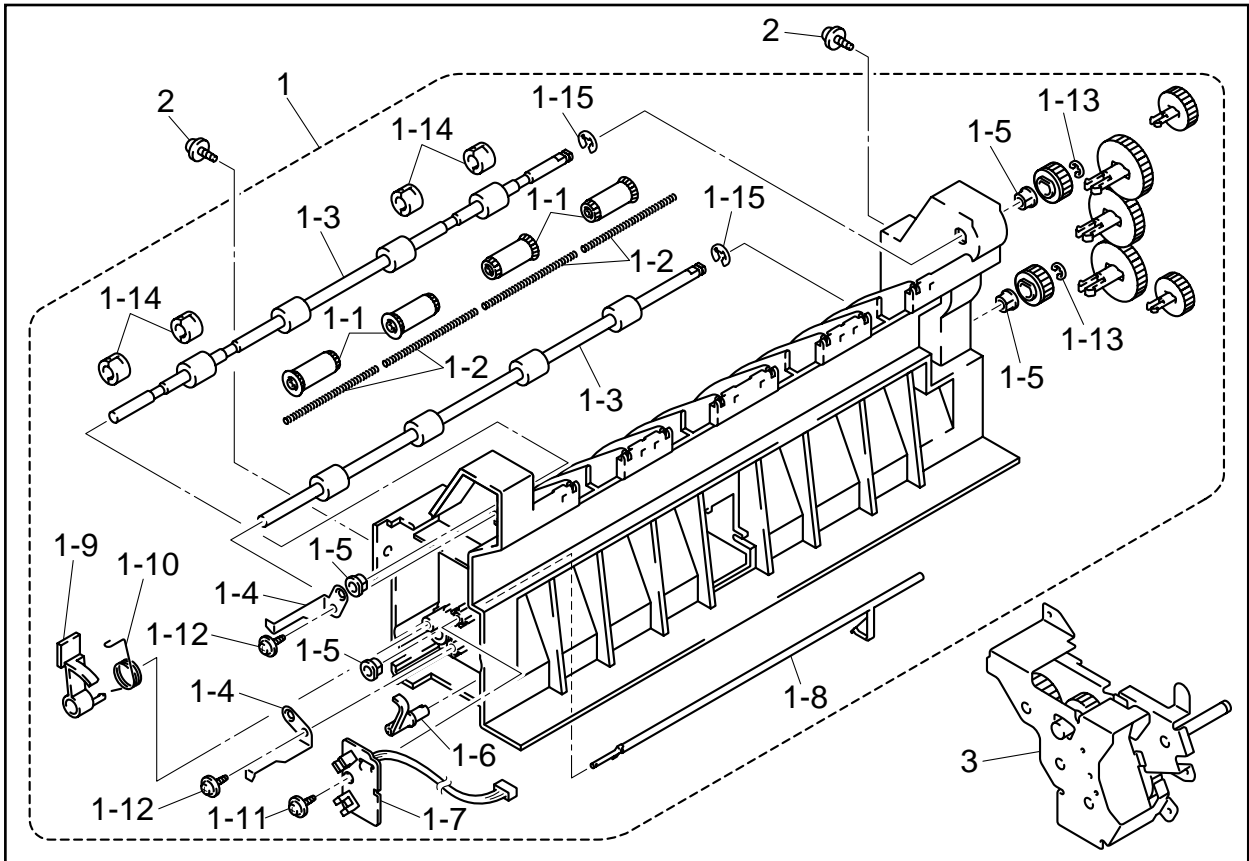
MODEL HL-7050/7050N 84T-U07/08-420

3. LASER UNIT



MODEL HL-7050/7050N 84T-U07/08-700

4. PAPER EJECT



MODEL HL-7050/7050N 84T-U07/08-420

5. PAPER FEED

| REF.NO. | CODE | Q'TY | DESCRIPTION | REMARK |
|---------|-----------|------|------------------------------|--|
| 1 | LJ0270001 | 1 | PAPER FEED ROLLER ASSY 45 *1 | *1 A component part of the PAPER FEEDING KIT. Refer to "18. PERIODICAL MAINTENANCE PARTS". |
| 2 | LJ0273001 | 1 | PE SENSOR ACTUATOR | |
| 3 | LJ9055001 | 1 | TRAY PE SENSOR PCB ASSY | |
| 4 | LJ0279001 | 2 | BEARING | |
| 5 | LJ0284001 | 6 | PAPER FEED ROLLER BEARING | |
| 6 | LJ1290001 | 1 | PAPER FEED ROLLER TR | |
| 7 | LJ1297001 | 1 | PAPER FEED ROLLER MP | |
| 8 | LJ1300001 | 1 | PAPER FEED ROLLER A4 | |
| 9 | LJ1313001 | 1 | FOAM HOLDER A4 ASSY | |
| 10 | LJ1322001 | 2 | HOLDER SPRING A4 | |
| 11 | LJ1324001 | 2 | FOAM HOLDER ASSY | |
| 12 | LJ1330001 | 4 | HOLDER SPRING | |
| 13 | LJ1293001 | 2 | PAPER FEED ROLLER | |
| 14 | LJ1168001 | 5 | COLLAR 8 | |
| 15 | LJ1302001 | 1 | PINCH ROLLER A4 | |
| 16 | LJ1175001 | 5 | COLLAR 6 | |
| 17 | LJ1741001 | 1 | STOPPER SPRING | |

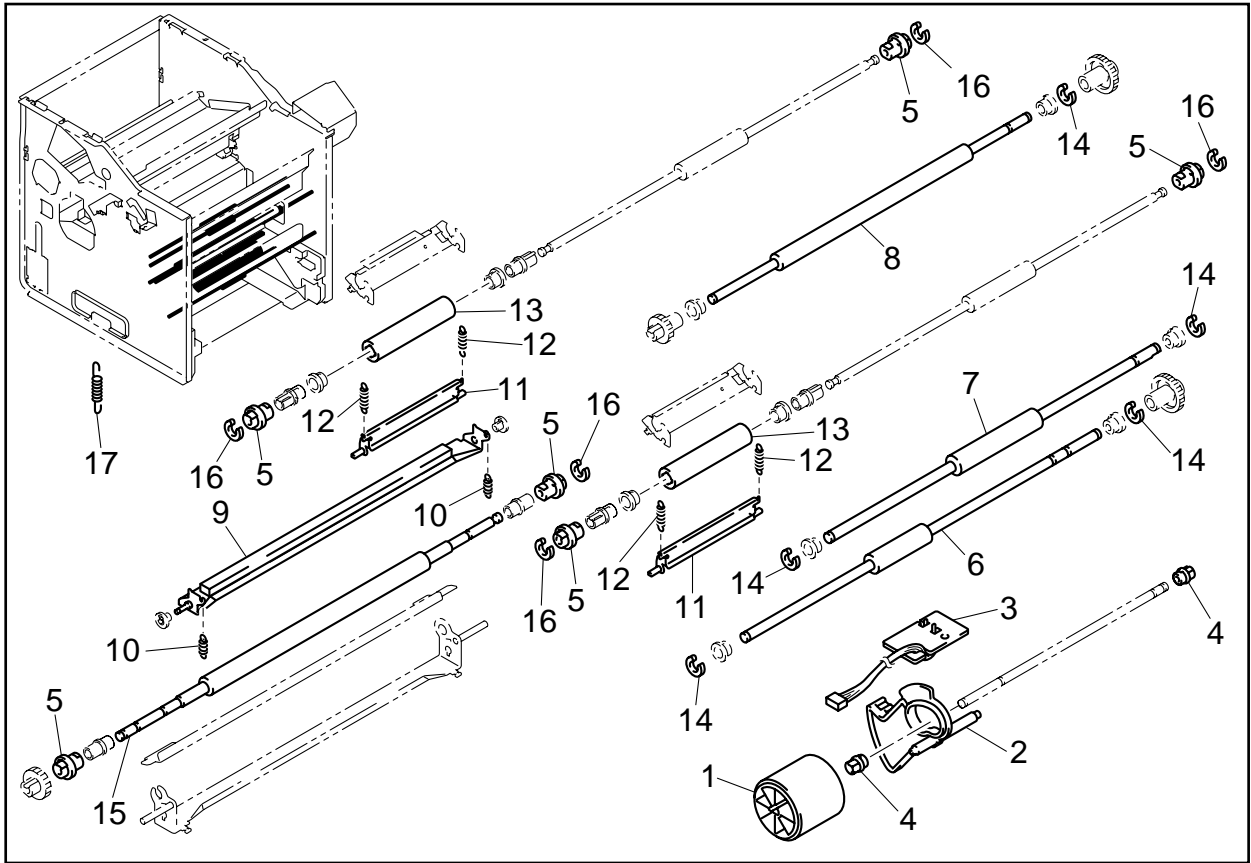
MODEL HL-7050/7050N 84T-U07/08-600

6. MP TRAY

| REF.NO. | CODE | Q'TY | DESCRIPTION | REMARK |
|---------|-----------|------|---------------------------|--------|
| 1 | LJ0295001 | 1 | SEPARATION PLATE ASSY MP | |
| 2 | LJ0298001 | 1 | SEPARATION PAD SPRING MP | |
| 3 | LJ0299001 | 1 | PLATE ASSY MP | |
| 4 | LJ0305001 | 2 | PLATE SPRING MP | |
| 5 | LJ0307001 | 1 | SOLENOID ASSY MP | |
| 6 | LJ0309001 | 1 | SOLENOID SPRING MP | |
| 7 | LJ0311001 | 1 | PAPER FEED ROLLER ASSY MP | |
| 8 | LJ1332001 | 1 | ROLLER COVER ASSY MP | |
| 8-1 | LJ9057001 | 1 | MP PE SENSOR PCB ASSY | |
| 8-2 | LJ0328001 | 1 | PE SENSOR ACTUATOR MP | |
| 8-3 | LJ0329001 | 1 | PE SENSOR ACTUATOR 2 MP | |
| 9 | LJ0330001 | 1 | TRAY ASSY MP | |
| 10 | LJ0334001 | 1 | TRAY COVER ASSY MP | |
| 10-1 | LJ0337001 | 2 | TRAY COVER ROCK SPRING | |
| 11 | 085310815 | 5 | TAPTITE, BIND B M3X8 | |
| 12 | 085320816 | 4 | TAPTITE, BIND S M3X8 | |
| 13 | U11776001 | 1 | SCREW, FLANGED M3X3.5 | |
| 14 | LJ1741001 | 1 | STOPPER SPRING | |

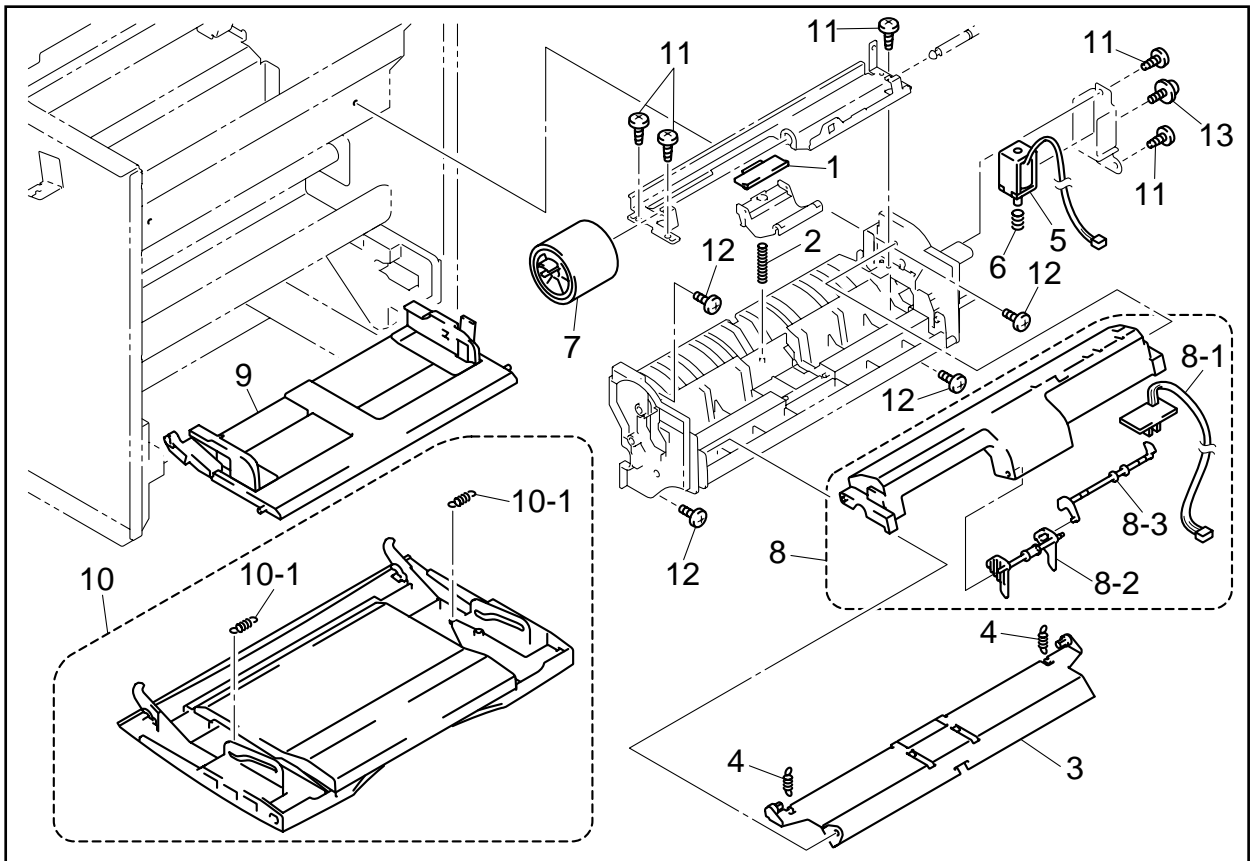
MODEL HL-7050/7050N 84T-U07/08-630

5. PAPER FEED



MODEL HL-7050/7050N 84T-U07/08-600

6. MP TRAY



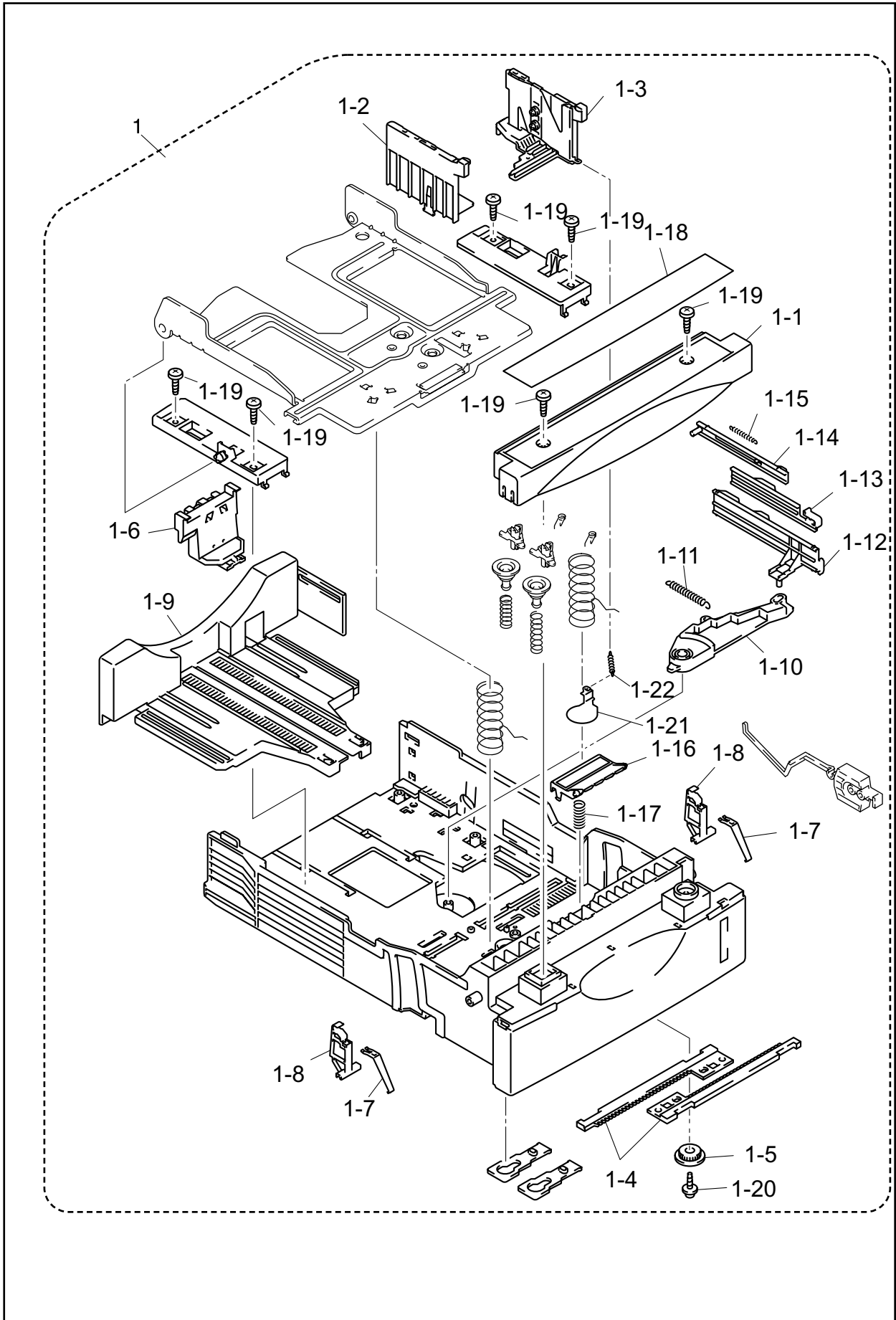
MODEL HL-7050/7050N 84T-U07/08-630

7. PAPER TRAY

| REF.NO. | CODE | Q'TY | DESCRIPTION | REMARK |
|-------------|------------------|----------|-------------------------------|---|
| 1 | LJ1299001 | 1 | PAPER TRAY UNIT (SP) | |
| 1-1 | LJ0228001 | 1 | PAPER TRAY COVER | |
| 1-2 | LJ0341001 | 1 | SIDE GUIDE L | |
| 1-3 | LJ1335001 | 1 | SIDE GUIDE R ASSY *3 | |
| 1-4 | LJ0819001 | 2 | SIDE GUIDE RACK 2 | |
| 1-5 | UL9081001 | 1 | SIDE GUIDE GEAR | |
| 1-6 | LJ1649001 | 1 | REAR GUIDE ASSY 2 | |
| 1-7 | LJ0347001 | 2 | SUPPORTER STOPPER SPRING | |
| 1-8 | LJ0348001 | 2 | SUPPORTER STOPPER L | |
| 1-9 | LJ0351001 | 1 | EX REAR TRAY | |
| 1-10 | LJ1660001 | 1 | SIZE DETECTION LINK 2 | |
| 1-11 | LJ0358001 | 1 | SIZE DETECTION LINK SPRNG | |
| 1-12 | LJ0359001 | 1 | SIZE DETECTION CAM *3 | |
| 1-13 | LJ0360001 | 1 | TRAY 1D DETECTION CAM | |
| 1-14 | LJ0361001 | 1 | LTR/LGL DETECTION CAM | |
| 1-15 | LJ0362001 | 1 | LTR/LGL DETECTION CAM SPRING | |
| 1-16 | LJ0374001 | 1 | SEPARATION PAD ASSY *2 | *2 A component part of the PAPER FEEDING KIT. Refer to "18. PERIODICAL MAINTENANCE PARTS". |
| 1-17 | LJ0377001 | 1 | SEPARATION PAD SPRING | |
| 1-18 | LJ0809001 | 1 | PAPER TRAY LABEL *4 | *3 When either of the SIDE GUIDE R ASSY (LJ0729001) or the SIZE DETECTION CAM (LJ0359001) needs to be replaced, be sure to replace the both part at the same time. *4 Except for US and Canada. (This label has already been attached to the paper tray unit for US and canada.) |
| 1-19 | 085411015 | 6 | TAPTITE, BIND B M4X10 | |
| 1-20 | UU0552001 | 1 | TAPTITE, CUP B 3X8 | |
| 1-21 | LJ1338001 | 1 | SGR GROUND PLATE | |
| 1-22 | LJ1339001 | 1 | SGR EXTENSION SPRING | |

MODEL HL-7050/7050N 84T-U07/08-650

7. PAPER TRAY



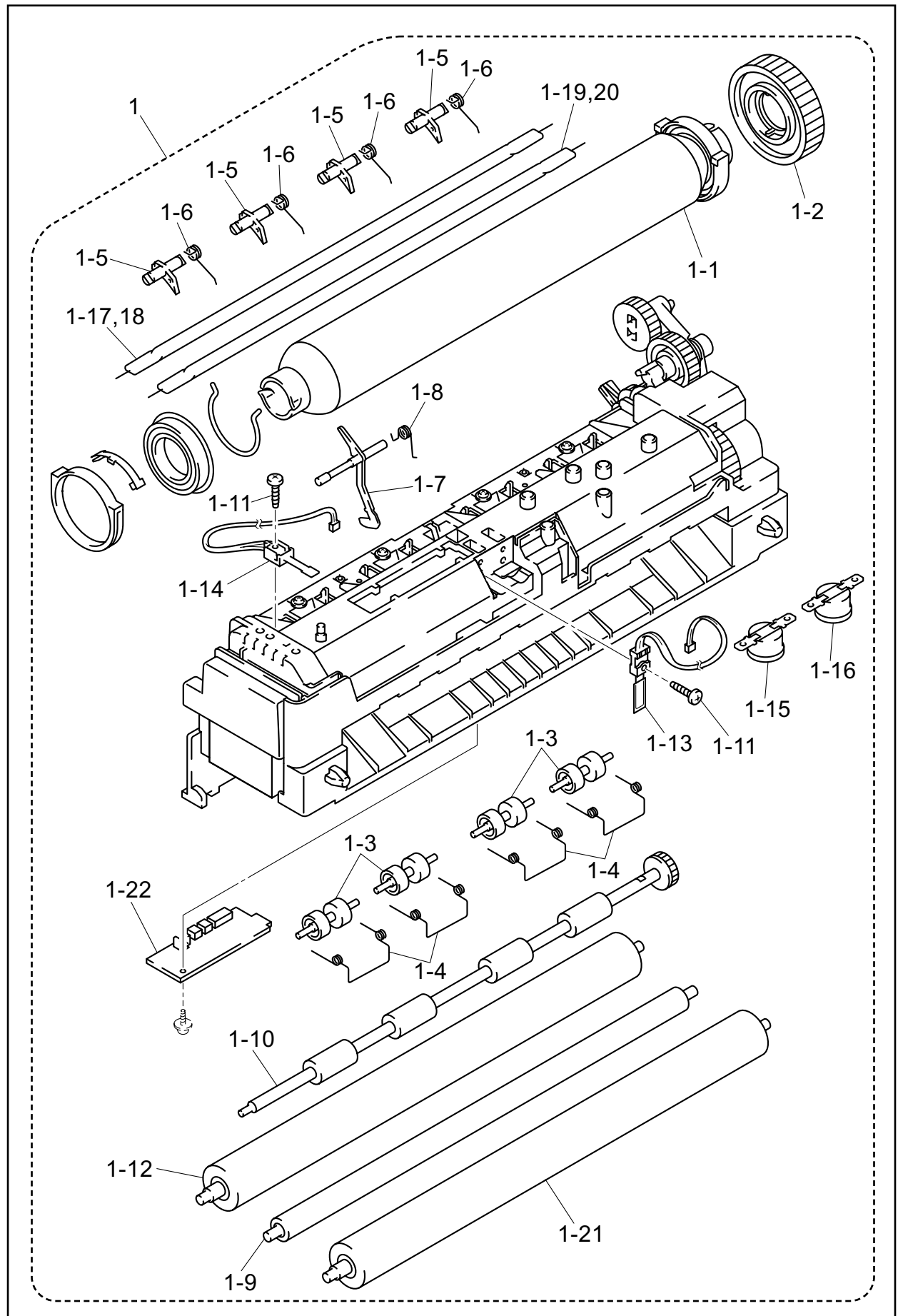
MODEL HL-7050/7050N 84T-U07/08-650

8. FIXING UNIT

| REF.NO. | CODE | Q'TY | DESCRIPTION | REMARK |
|---------|-----------|------|------------------------------|--------|
| 1 | LJ1470001 | 1 | FIXING UNIT, 115V (SP) | |
| 1 | LJ1473001 | 1 | FIXING UNIT, 230V (SP) | |
| 1-1 | LJ1778001 | 1 | HEAT ROLLER 34AM ASSY | |
| 1-2 | LJ1350001 | 1 | H/R GEAR 45 | |
| 1-3 | LJ0772001 | 4 | EJECT PRESSURE ROLLER F | |
| 1-4 | LJ0424001 | 4 | PRESSURE SPRING | |
| 1-5 | LJ1686001 | 4 | SEPARATE PAWL AM | |
| 1-6 | LJ1735001 | 4 | SEPARATE PAWL SPRING AM | |
| 1-7 | LJ1356001 | 1 | FU ACTUATOR AM | |
| 1-8 | LJ0430001 | 1 | FU ACTUATOR SPRING | |
| 1-9 | LJ1712001 | 1 | CLEANER ROLLER ASSY AM | |
| 1-10 | LJ0109001 | 1 | EJECT ROLLER ASSY | |
| 1-11 | 087311415 | 2 | TAPTITE, CUP B M3X14 | |
| 1-12 | LJ1359001 | 1 | PRESSURE ROLLER 35 | |
| 1-13 | LJ1344001 | 1 | THERMISTOR ASSY AMC | |
| 1-14 | LJ1345001 | 1 | THERMISTOR ASSY AMS | |
| 1-15 | LJ1717001 | 1 | THERMOSTAT B | |
| 1-16 | LJ1634001 | 1 | THERMOSTAT A | |
| 1-17 | LJ1475001 | 1 | FIXING HEATER 115C ASSY (SP) | |
| 1-18 | LJ1476001 | 1 | FIXING HEATER 115S ASSY (SP) | |
| 1-19 | LJ1477001 | 1 | FIXING HEATER 230C ASSY (SP) | |
| 1-20 | LJ1478001 | 1 | FIXING HEATER 230S ASSY (SP) | |
| 1-21 | LJ1359001 | 1 | PRESSURE ROLLER 35 | |
| 1-22 | LJ9152001 | 1 | EJECT SENSOR PCB ASSY | |

MODEL HL-7050/7050N 84T-U07/08-770

8. FIXING UNIT



MODEL HL-7050/7050N 84T-U07/08-770

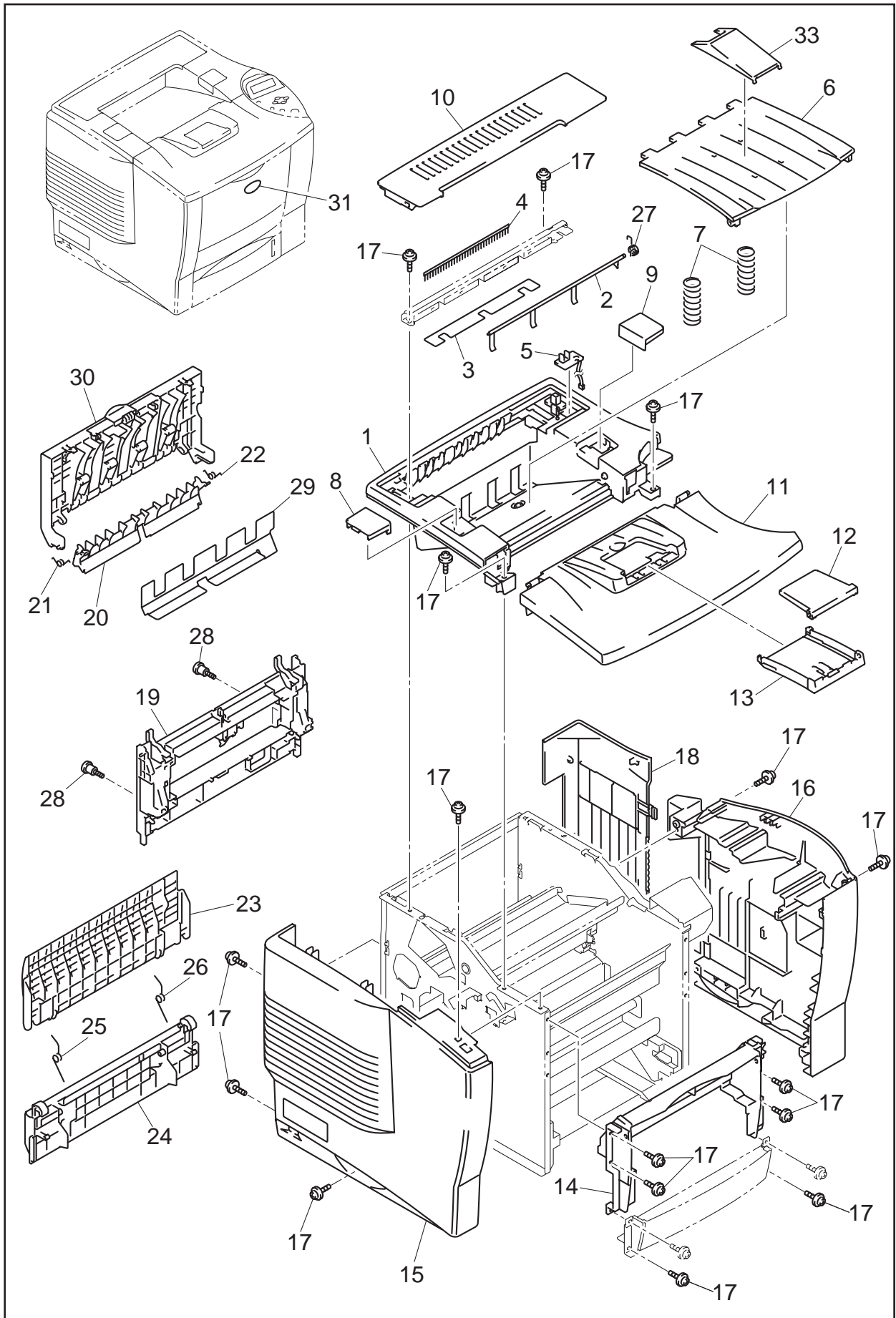
9. COVERS / LABELS

| REF.NO. | CODE | Q'TY | DESCRIPTION | REMARK |
|---------|-----------|------|--------------------------------|--------|
| 1 | LJ0062001 | 1 | TOP COVER | |
| 2 | LJ0063001 | 1 | PAPER ACTUATOR | |
| 3 | LJ0830001 | 1 | ACTUATOR PLATE FILM | |
| 4 | LJ0065001 | 1 | EJECT DISCHARGING BRUSH | |
| 5 | LJ9029001 | 1 | FULL SENSOR PCB ASSY | |
| 6 | LJ1793001 | 1 | SWING PAPER TRAY | CHNG |
| 7 | LJ0067001 | 2 | SWING PAPER TRAY SPRING | |
| 8 | LJ0068001 | 1 | MX CAP B | |
| 9 | LJ0069001 | 1 | MX CAP C | |
| 10 | LJ1707001 | 1 | MX CAP A2 | |
| 11 | LJ0071001 | 1 | OPEN COVER | |
| 12 | UH1540002 | 1 | PAPER STOPPER | |
| 13 | UH1541002 | 1 | PAPER STOPPER GUIDE | |
| 14 | LJ0072001 | 1 | FRONT COVER 1 | |
| 15 | LJ1085001 | 1 | SIDE COVER L | |
| 16 | LJ1086001 | 1 | SIDE COVER R 1 | |
| 17 | 087320816 | 16 | TAPTITE, CUP S M3X8 | |
| 18 | LJ1087001 | 1 | SIDE COVER R 2 | |
| 19 | LJ1088001 | 1 | REAR COVER ASSY | |
| 20 | LJ0094001 | 1 | FLAP | |
| 21 | LJ0095001 | 1 | FLAP SPRING L | |
| 22 | LJ0096001 | 1 | FLAP SPRING R | |
| 23 | LJ1654001 | 1 | FU PROTECTION COVER UPPER | |
| 24 | LJ1655001 | 1 | FU PROTECTION COVER LOWER | |
| 25 | LJ0806001 | 1 | FU PROTECTION COVER SPRING L | |
| 26 | LJ0807001 | 1 | FU PROTECTION COVER SPRING R | |
| 27 | LJ1782001 | 1 | ACTUATOR SPRING E *1 | CHNG |
| 28 | LJ0097001 | 2 | SHOULDER SCREW | |
| 29 | LJ0913001 | 1 | REAR FILM | |
| 30 | LJ1709001 | 1 | REAR TRAY ASSY 3 | |
| 31 | LJ5030001 | 1 | BROTHER EMBLEM | |
| 32 | LJ1779001 | 1 | ACTUATOR PLATE *1 | CHNG |
| 33 | LJ1794001 | 1 | SWING PAPER TRAY ATTACHMENT *2 | ADD |

*1 If the ACTUATOR PLATE is the old one, be sure to replace ACTUATOR SPRING E and ACTUATOR PLATE at the same time. Please refer to T/I# PR2002178 for the defference between old and new ACTUATOR PLATE.

*2 US model only

9. COVERS / LABELS



MODEL HL-7050/7050N 84T-U07/08-400

10. SWITCH PANEL

| REF.NO. | CODE | QTY | DESCRIPTION | REMARK |
|---------|-----------|-----|--------------------------|--------|
| 1 | LJ1097001 | 1 | SW PANEL UNIT | |
| 2 | LJ0849001 | 1 | PRINTED PANEL COVER | |
| 3 | LJ0100001 | 1 | LCD HOLDER | |
| 4 | LJ0456001 | 1 | DIFFUSION FILM | |
| 5 | LJ5296001 | 1 | PANEL LIGHT GUIDE | |
| 6 | LJ5297001 | 1 | KEY | |
| 7 | LJ5298001 | 1 | KEY TOP A | |
| 8 | LJ5299001 | 1 | KEY TOP B | |
| 9 | LJ0103001 | 1 | PANEL REAR COVER | |
| 10 | LJ9031001 | 1 | PANEL PCB ASSY | |
| 11 | LJ8529001 | 1 | LCD:LMG16D2 | |
| 12 | LJ9033001 | 1 | BACK LIGHT PCB ASSY | |
| 13 | LJ1592001 | 1 | CLEAR PANEL ASSY HL-7050 | |
| 14 | 087310816 | 5 | TAPTITE, CUP B M3X8 | |

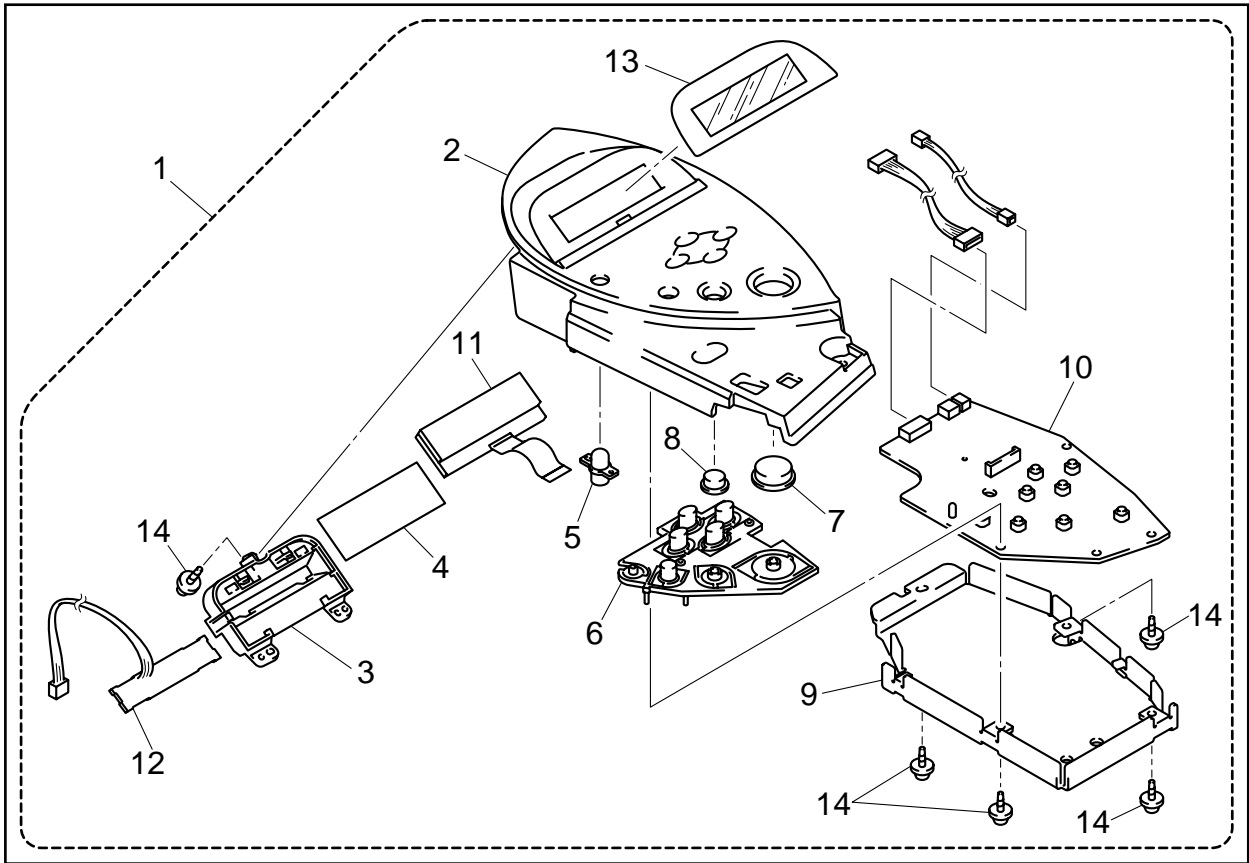
MODEL HL-7050/7050N 84T-U07/08-410

11. MAIN PCB

| REF.NO. | CODE | QTY | DESCRIPTION | SYMBOL | REMARK |
|---------|-----------|-----|------------------------|--------|----------|
| 1 | LJ8994001 | 1 | MAIN PCB ASSY, HL-7050 | 200K | Rev.CHNG |

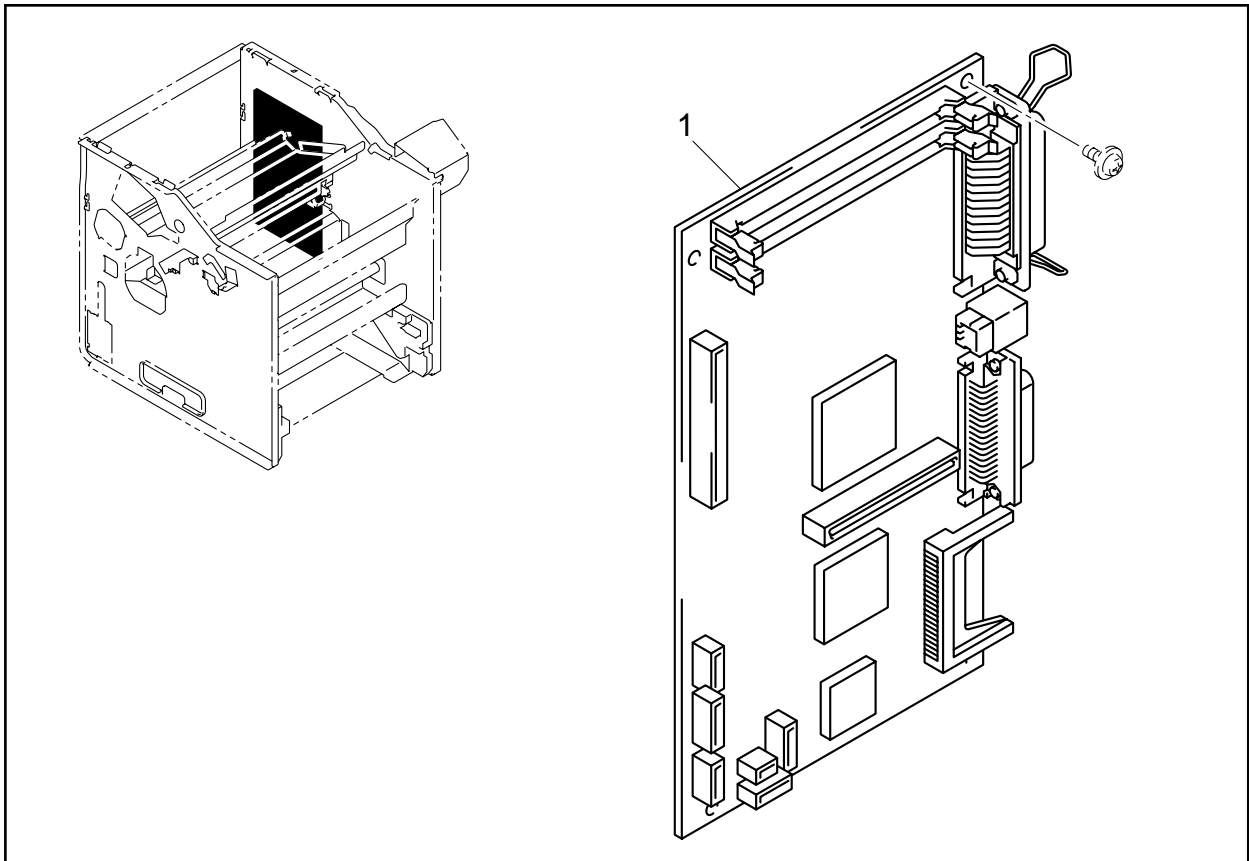
MODEL HL-7050/7050N 84T-U07/08-103

10. SWITCH PANEL



MODEL HL-7050/7050N 84T-U07/08-410

11. MAIN PCB



MODEL HL-7050/7050N 84T-U07/08-103

12. ENGINE PCB

| REF.NO. | CODE | Q'TY | DESCRIPTION | SYMBOL | REMARK |
|---------|-----------|------|------------------------|--------|--------|
| 1 | LJ9006001 | 1 | ENGINE PCB ASSY, HL-AM | | |
| 2 | LJ0821001 | 2 | ENGINE PCB SUPPORT | | |

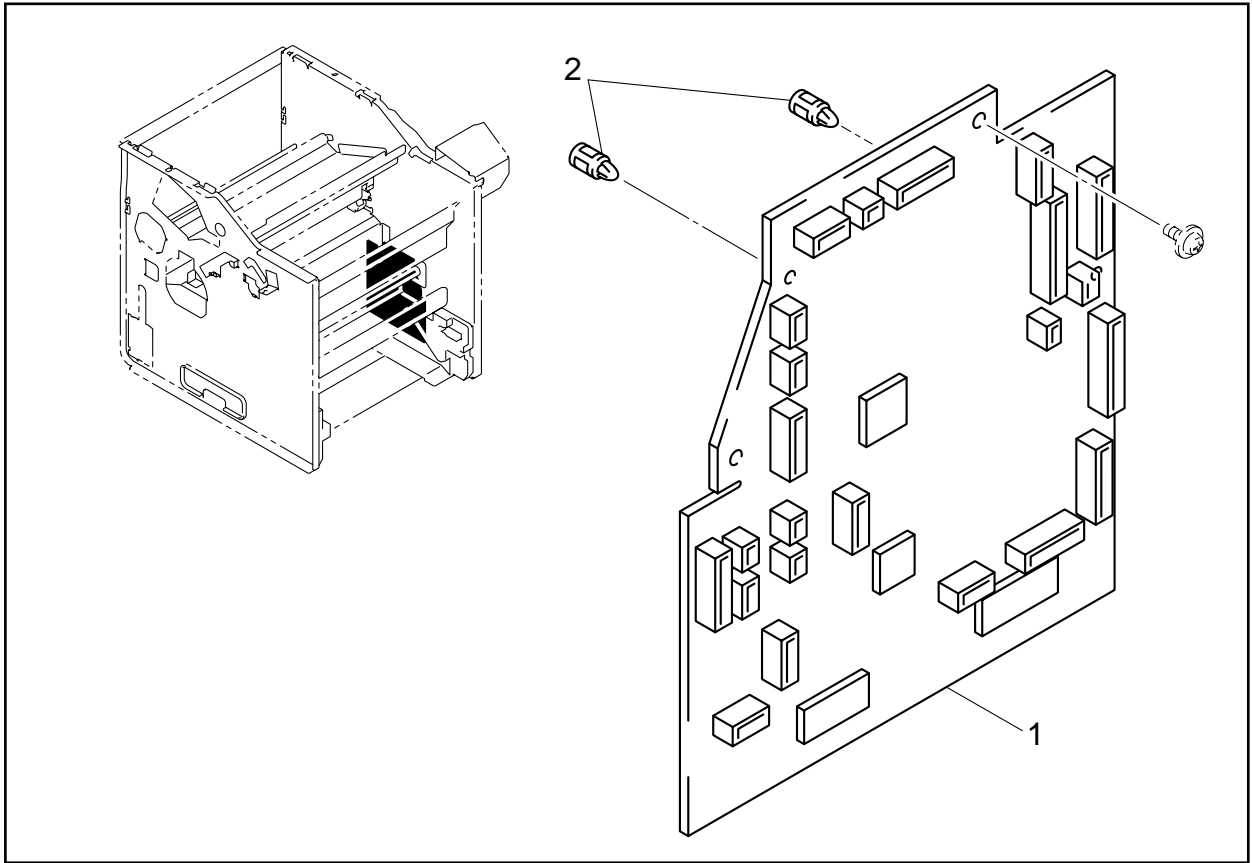
MODEL HL-7050/7050N 84T-U07/08-104

13. HIGH-VOLTAGE POWER SUPPLY PCB

| REF.NO. | CODE | Q'TY | DESCRIPTION | SYMBOL | REMARK |
|---------|-----------|------|-----------------------|--------|--------|
| 1 | LJ9018001 | 1 | HVPS PCB ASSY, AM | | |
| 2 | LJ0051001 | 2 | TRANSFER PLATE | | |
| 3 | 087320616 | 1 | TAPTITE, CUP S M3X6 | | |
| 4 | 085411015 | 2 | TAPTITE, BIND B M4X10 | | |

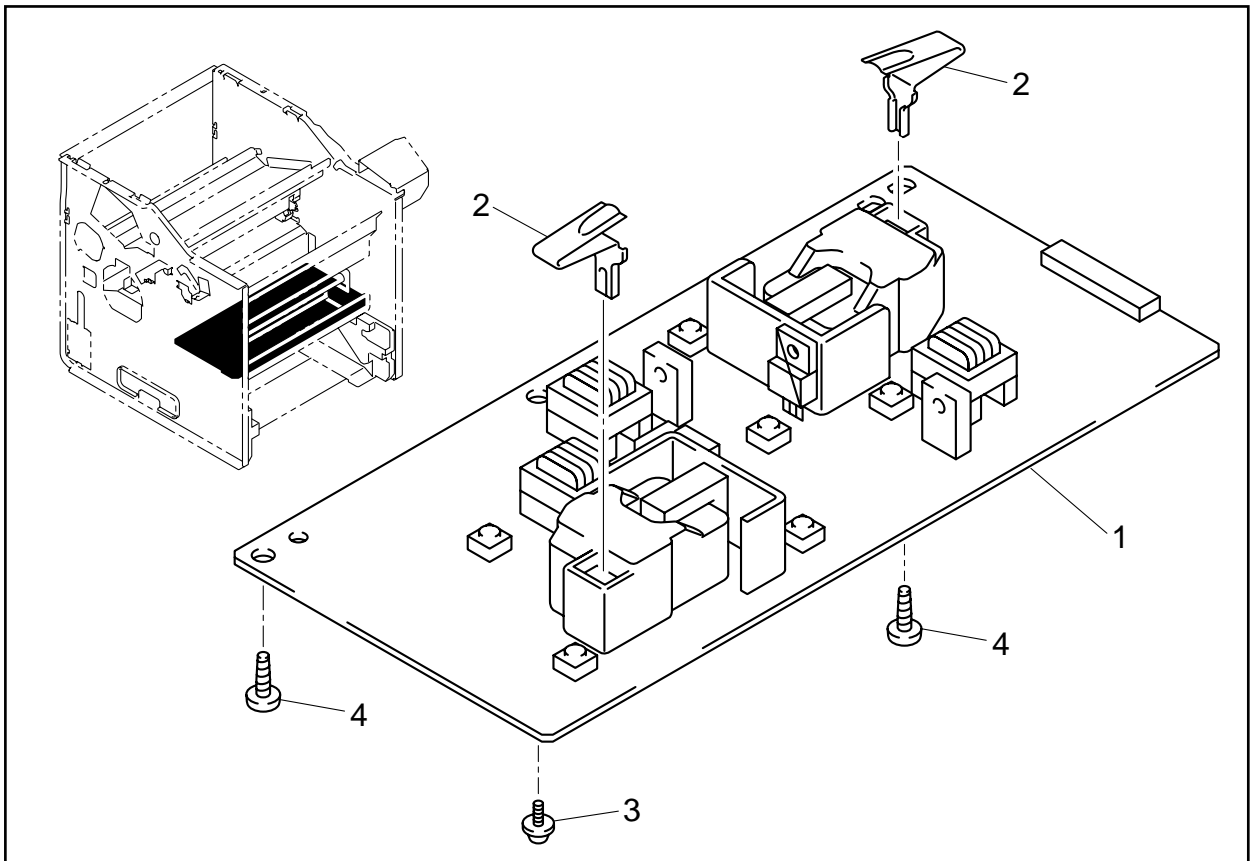
MODEL HL-7050/7050N 84T-U07/08-200

12. ENGINE PCB



MODEL HL-7050/7050N 84T-U07/08-104

13. HIGH-VOLTAGE POWER SUPPLY PCB



MODEL HL-7050/7050N 84T-U07/08-200

14. LOW-VOLTAGE POWER SUPPLY PCB

| REF.NO. | CODE | Q'TY | DESCRIPTION | SYMBOL | REMARK |
|---------|-----------|------|--------------------------------|--------|--------|
| 1 | LJ9132001 | 1 | LVPS PCB ASSY 7050, 115V(SP) | | |
| 1 | LJ9133001 | 1 | LVPS PCB ASSY 7050, 230V(SP) | | |
| 2 | LJ9020001 | 1 | INLET UNIT, 115V | | |
| 2 | LJ9076001 | 1 | INLET UNIT, 230V | | |
| 3 | 0A5350606 | 1 | SCREW, PAN (S/P WASHER) M3.5X6 | | |
| 4 | 087320616 | 3 | TAPTITE, CUP S M3X6 | | |

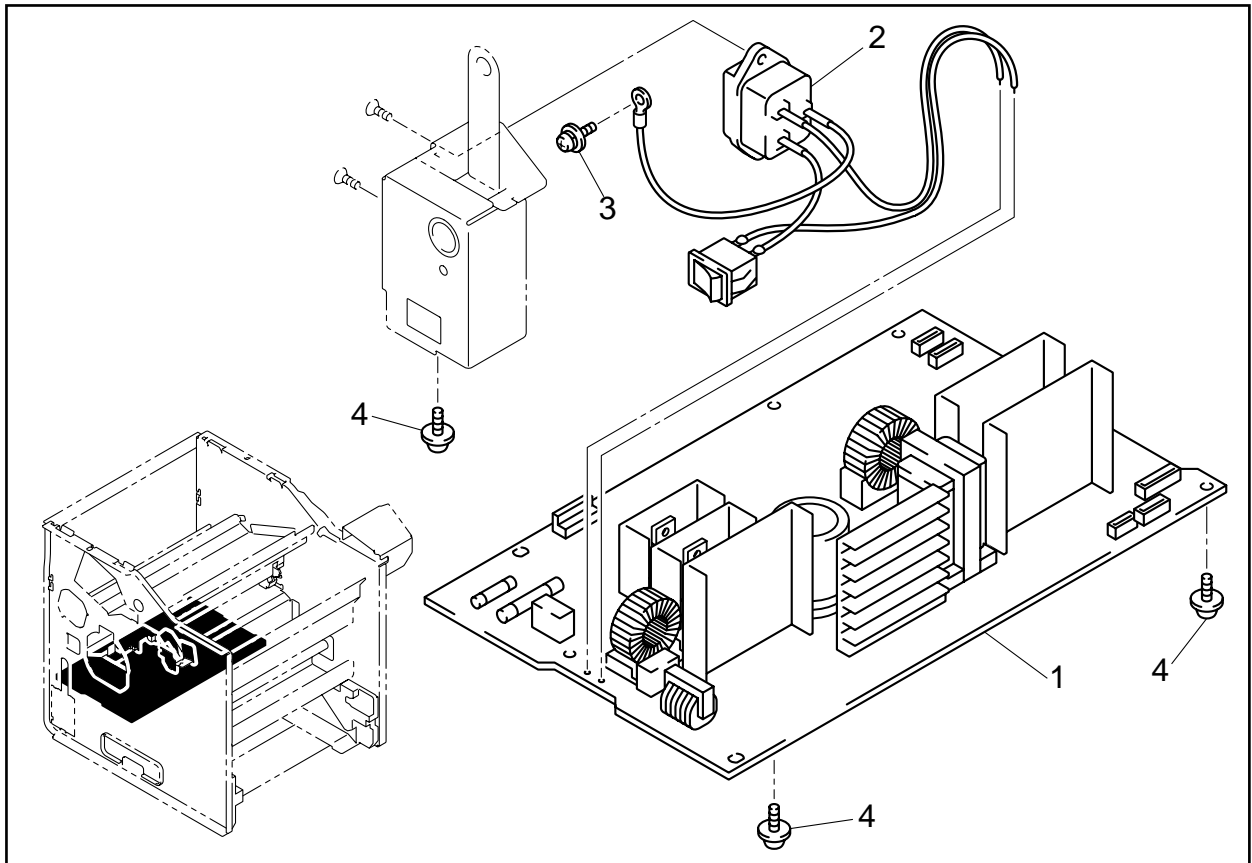
MODEL HL-7050/7050N 84T-U07/08-300

15. AC CORDS

| REF.NO. | CODE | Q'TY | DESCRIPTION | SYMBOL | REMARK |
|---------|-----------|------|----------------------------|--------|--------|
| 1A | LJ8980001 | 1 | AC CORD, UL/CSA 15A | | |
| 1B | LJ9103001 | 1 | AC CORD ASSY LF, VDE | | |
| 1C | LJ9257001 | 1 | AC CORD ASSY LF, BS | | |
| 1D | LJ9255001 | 1 | AC CORD ASSY LF, SAA | | |
| 1E | LJ9254001 | 1 | AC CORD ASSY LF, SEV | | |
| 1F | LJ9256001 | 1 | AC CORD ASSY LF, DEMKO | | |
| 1G | U34322001 | 1 | AC CORD #6, ISRAEL | | |
| 1H | LJ8288001 | 1 | AC CORD ASSY, SOUTH AFRICA | | |

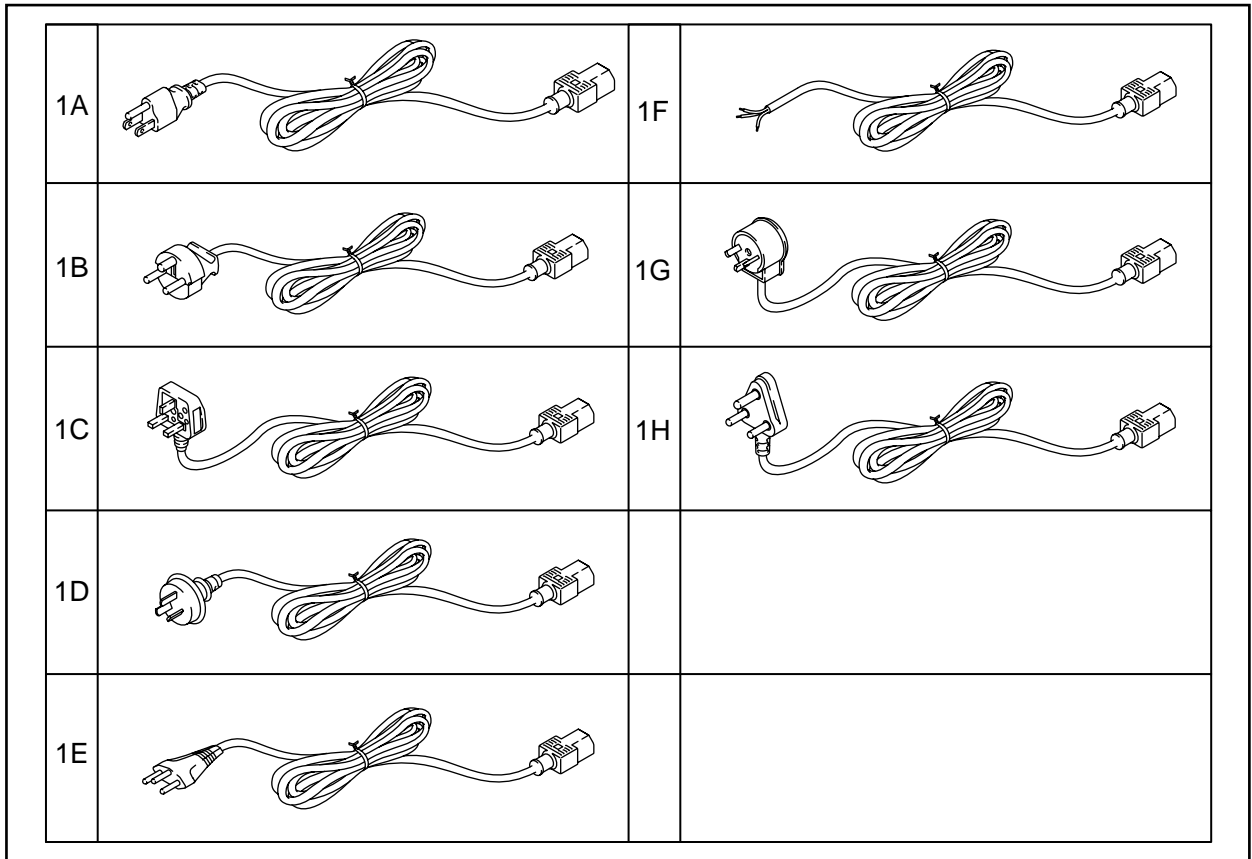
MODEL HL-7050/7050N 84T-U07/08-050

14. LOW-VOLTAGE POWER SUPPLY PCB



MODEL HL-7050/7050N 84T-U07/08-300

15. AC CORDS



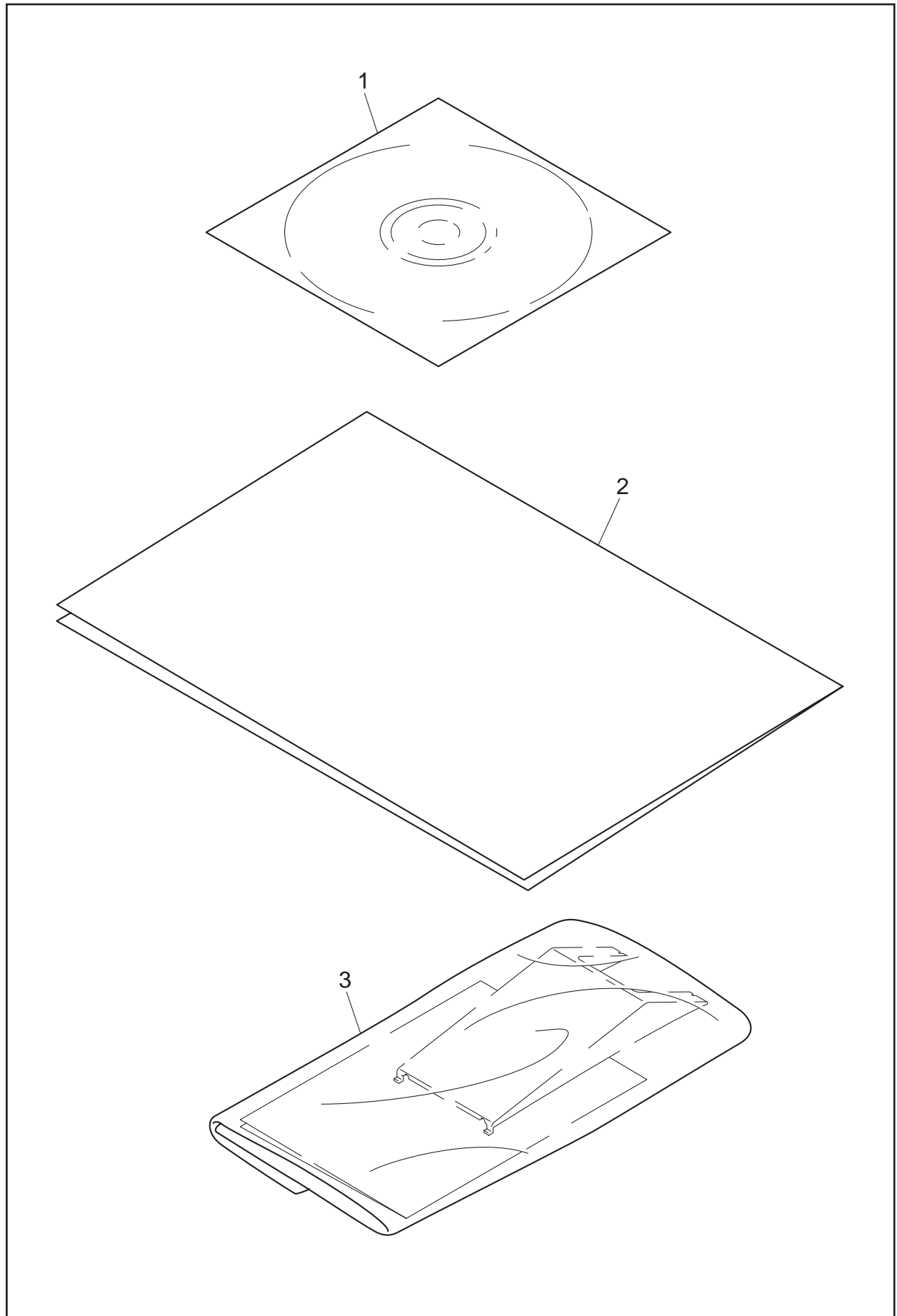
MODEL HL-7050/7050N 84T-U07/08-050

16. ACCESSORIES

| REF.NO. | CODE | QTY | DESCRIPTION | REMARK |
|---------|-----------|-----|-------------------------|--------|
| 1 | LJ1494001 | 1 | CD ASSY | |
| 2 | LJ1467001 | 1 | SET UP GUIDE ENG | |
| 2 | LJ1616001 | 1 | SET UP GUIDE FRE | |
| 2 | LJ1465001 | 1 | SET UP GUIDE GER | |
| 2 | LJ1620001 | 1 | SET UP GUIDE NOR | |
| 2 | LJ1617001 | 1 | SET UP GUIDE NL | |
| 2 | LJ1669001 | 1 | SET UP GUIDE DEN | |
| 2 | LJ1619001 | 1 | SET UP GUIDE SPA | |
| 2 | LJ1622001 | 1 | SET UP GUIDE POR | |
| 2 | LJ1618001 | 1 | SET UP GUIDE ITA | |
| 2 | LJ1621001 | 1 | SET UP GUIDE SWE | |
| 3 | LJ1797001 | 1 | TRAY ATTACHMENT ASSY *1 | CHNG |

*1 Except for US model

16. ACCESSORIES



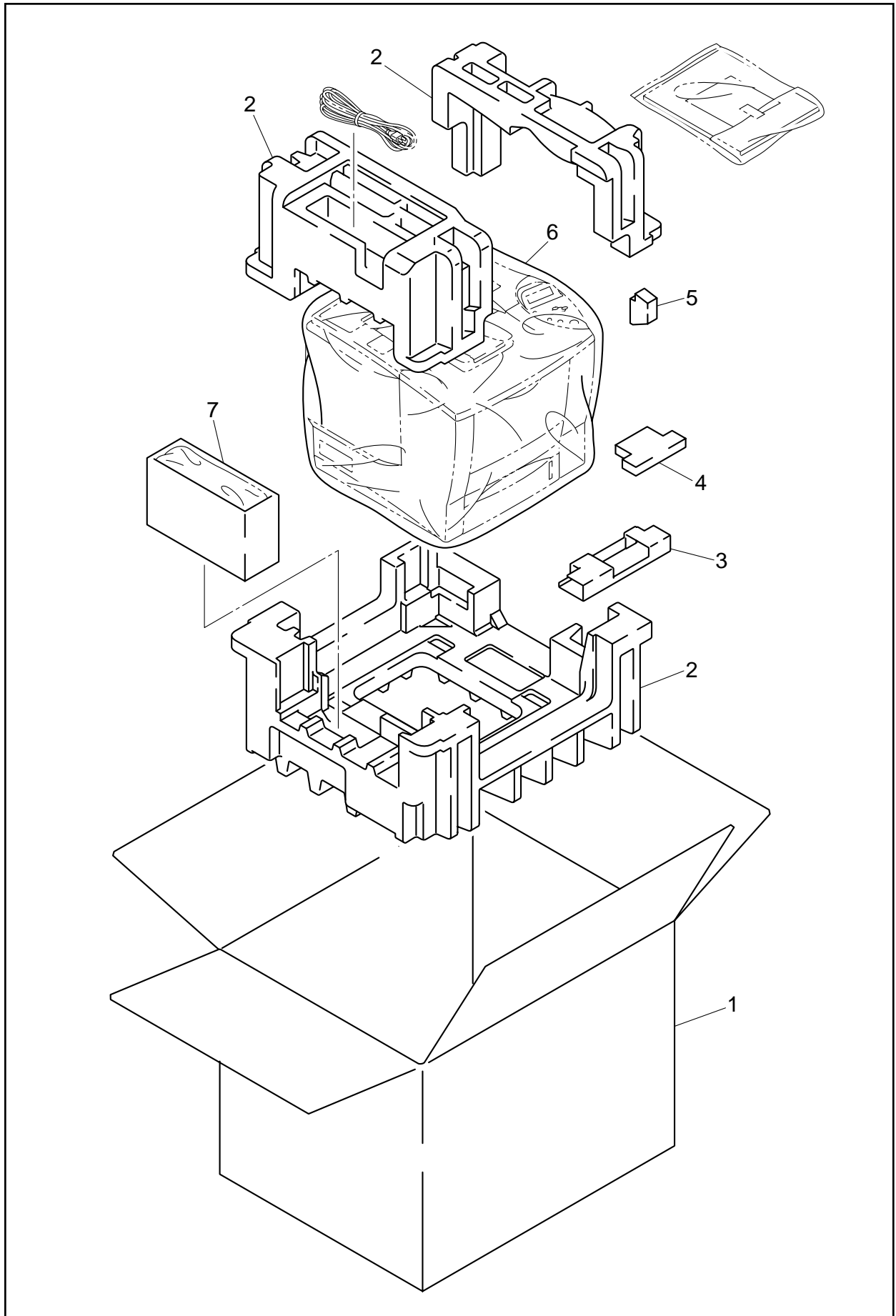
MODEL HL-7050/7050N 84T-U07/08-920

17. PACKING MATERIALS

| REF.NO | CODE | Q'TY | DESCRIPTION | REMARK |
|--------|-----------|------|-------------------------|--------|
| 1 | LJ1496001 | 1 | CARTON, HL-7050 US | |
| 1 | LJ1718001 | 1 | CARTON, HL-7050N US | |
| 1 | LJ1635001 | 1 | CARTON, HL-7050 EUR | |
| 1 | LJ1719001 | 1 | CARTON, HL-7050N EUR | |
| 2 | LJ1497001 | 1 | STYROFOAM ASSY | |
| 3 | LJ1738001 | 1 | TRAY HOLD PAD | |
| 4 | LJ0973001 | 1 | SPACER MP | |
| 5 | LJ0852001 | 1 | SWING PAPER TRAY HOLDER | |
| 6 | LJ0763001 | 1 | BAG, 1000X1000H | |
| 7 | LJ1615001 | 1 | CARTRIDGE CARTON | |

MODEL HL-7050/7050N 84T-U07/08-930

17. PACKING MATERIALS



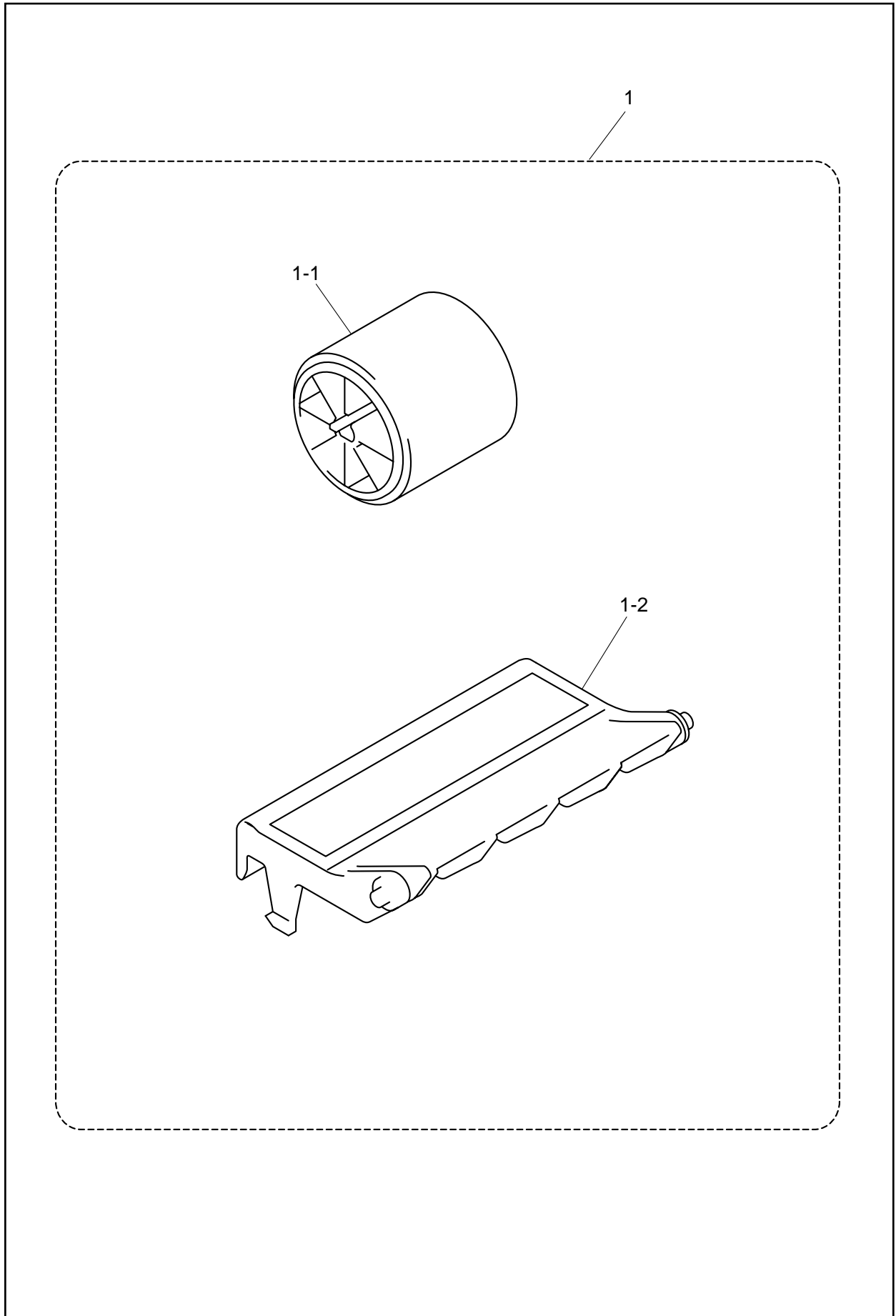
MODEL HL-7050/7050N 84T-U07/08-930

18. PERIODICAL MAINTENANCE PARTS

| REF.NO. | CODE | Q'TY | DESCRIPTION | REMARK |
|---------|-----------|------|------------------------------|--------|
| 1 | LJ0977001 | 1 | PAPER FEEDING KIT | |
| 1-1 | LJ0270001 | 1 | PAPER FEED ROLLER ASSY 45 *1 | |
| 1-2 | LJ0374001 | 1 | SEPARATION PAD ASSY *2 | |
| | | | *1 Refer to "5. PAPER FEED". | |
| | | | *2 Refer to "7. PAPER TRAY". | |

MODEL HL-7050/7050N 84T-U07/08-940

18. PERIODICAL MAINTENANCE PARTS



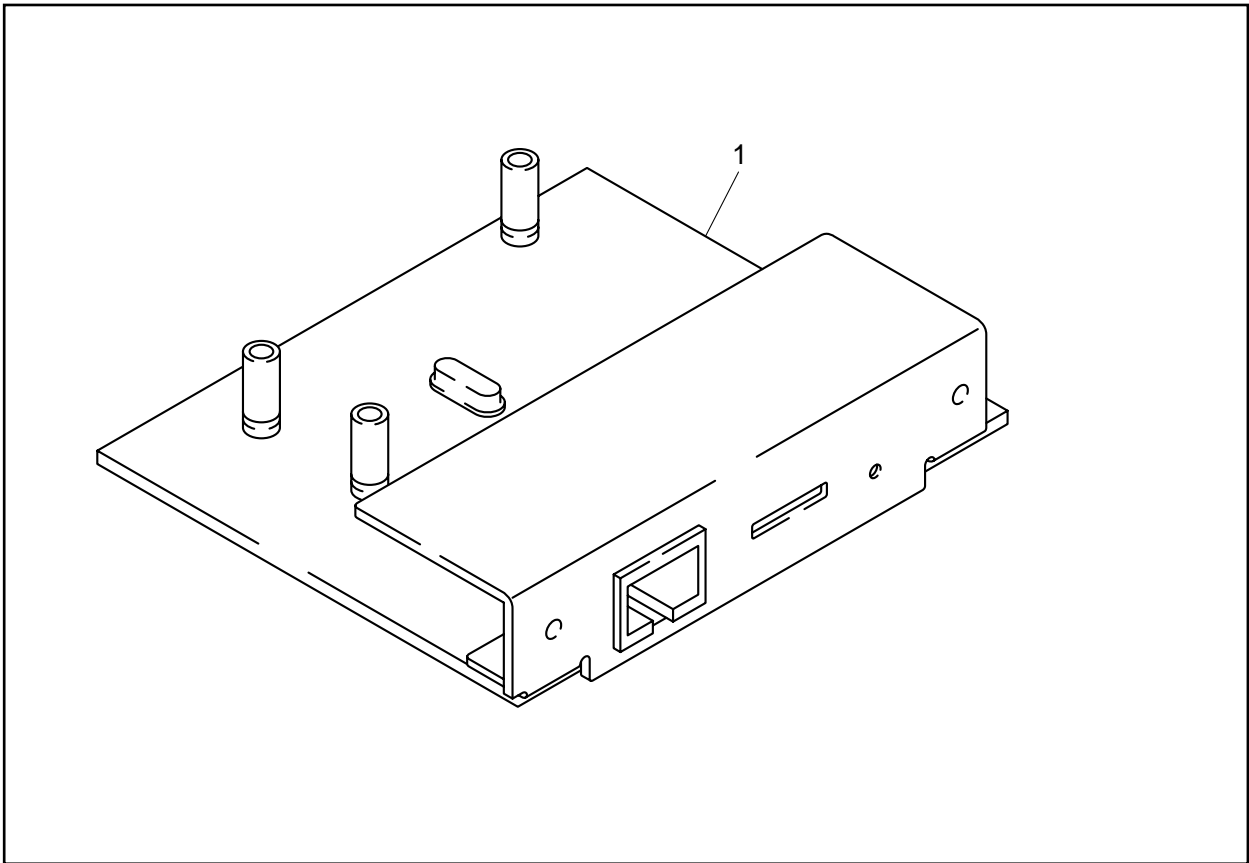
MODEL HL-7050/7050N 84T-U07/08-940

19. NETWORK BOARD

| REF.NO. | CODE | Q'TY | DESCRIPTION | REMARK |
|---------|-----------|------|----------------------|--------|
| 1 | LJ8671001 | 1 | BRNET PCB UNIT 4100H | |

MODEL HL-7050/7050N 84T-U07/08-150

19. NETWORK BOARD



MODEL HL-7050/7050N 84T-U07/08-150

20. TCO099

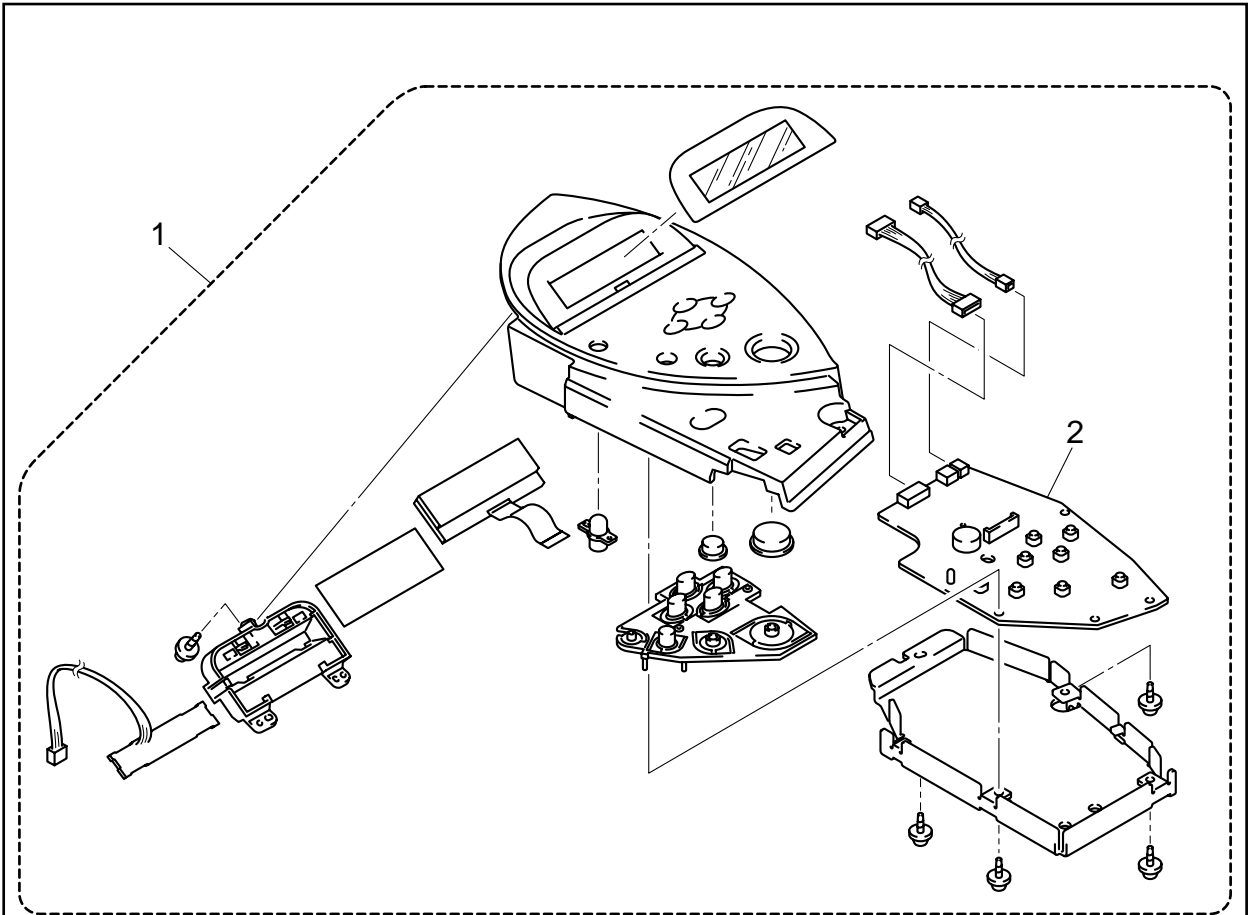
PrPn020015

| REF.NO. | CODE | QTY | DESCRIPTION | REMARK |
|---------|-----------|-----|------------------------------|--------|
| 1 | LJ1791001 | 1 | SW PANEL UNIT (SP) | CHANGE |
| 2 | LJ9031002 | 1 | PANEL PCB ASSY (with buzzer) | |

MODEL HL-7050/7050N 84T-U07/08-940

PCI NO. PrPn020015/

20. TCO099



MODEL HL-7050/7050N 84T-U07/08-940