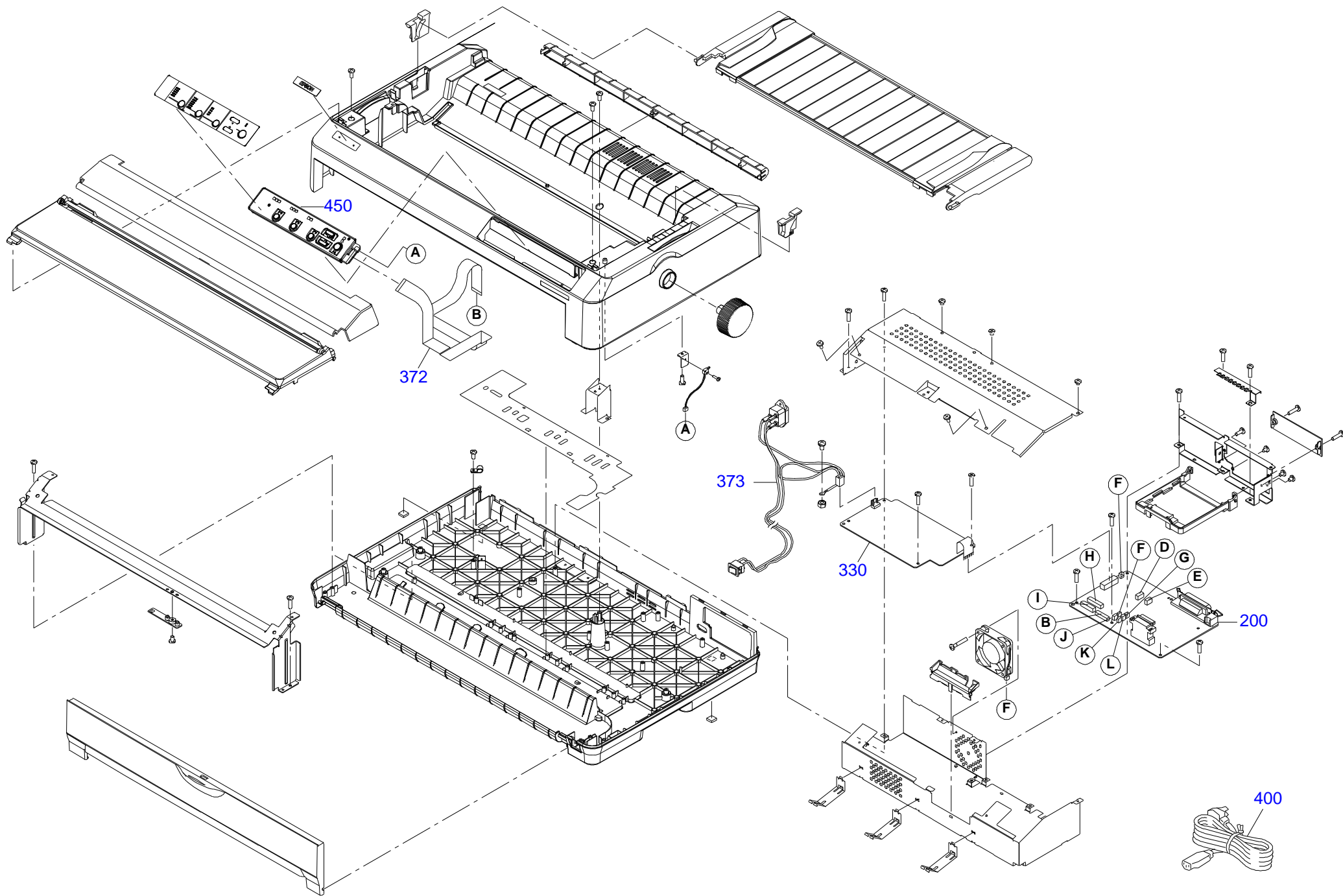
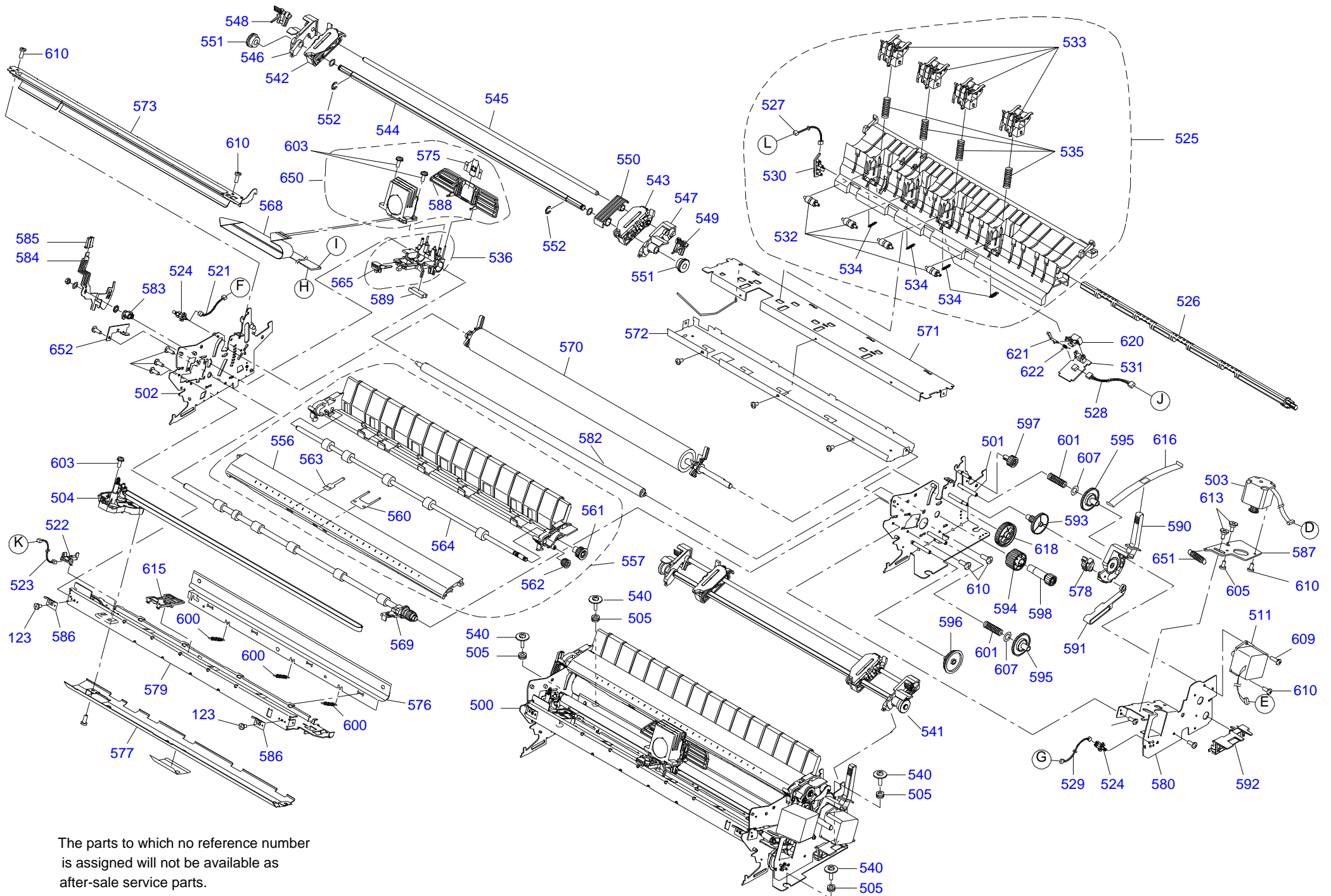


The parts to which no reference number is assigned will not be available as after-sale service parts.





The parts to which no reference number is assigned will not be available as after-sale service parts.

Part Code	Part Name	Ref No.	Category	Qty	Remark
<a href="#">1430060</a>	HOUSING ASSY.,LOWER	<a href="#">100</a>	Case	1	
<a href="#">1004605</a>	FOOT	<a href="#">101</a>	Case	1	
<a href="#">1266428</a>	HOUSING ASSY.,UPPER	<a href="#">102</a>	Case	1	
<a href="#">1266431</a>	COVER ASSY.,PRINTER,REAR	<a href="#">103</a>	Case	1	
<a href="#">1266430</a>	COVER ASSY.,PRINTER	<a href="#">104</a>	Case	1	
<a href="#">1242626</a>	WIHG;EPAG	<a href="#">105</a>	Case	1	
<a href="#">1302654</a>	SHEET GUIDE ASSY.;B	<a href="#">106</a>	Case	1	
<a href="#">1266429</a>	COVER ASSY.,FRONT	<a href="#">107</a>	Case	1	
<a href="#">1234171</a>	KNOB	<a href="#">108</a>	Case	1	
<a href="#">1233915</a>	SHIELD,PLATE,UPPER	<a href="#">109</a>	Case	1	
<a href="#">1233914</a>	SHIELD PLATE;B	<a href="#">110</a>	Case	1	
<a href="#">1430062</a>	SHIELD PLATE	<a href="#">111</a>	Case	1	
<a href="#">1233916</a>	GROUNDING PLATE	<a href="#">112</a>	Case	3	
<a href="#">1236544</a>	SHEET,PANEL	<a href="#">113</a>	Case	1	
<a href="#">1236524</a>	COVER,CONNECTOR,UPPER;EPAG	<a href="#">115</a>	Case	1	
<a href="#">1242291</a>	MOUNT,HOUSING	<a href="#">116</a>	Case	1	
<a href="#">1064686</a>	GUIDE,I/F BOARD	<a href="#">117</a>	Case	1	
<a href="#">1234159</a>	HOLDER,SHEET GUIDE,L	<a href="#">118</a>	Case	1	
<a href="#">1234160</a>	HOLDER,SHEET GUIDE,R	<a href="#">119</a>	Case	1	
<a href="#">1242638</a>	LOGO PLATE,12X48;C	<a href="#">120</a>	Case	1	
<a href="#">1236041</a>	STOPPER,COVER,FRONT	<a href="#">121</a>	Case	1	
<a href="#">1036498</a>	HOLDER,CABLE	<a href="#">122</a>	Case	1	
<a href="#">2081380</a>	FAN ASSY.	<a href="#">123</a>	Case	1	
<a href="#">1282370</a>	C.B.S-TITE SCREW,3X6,F/ZN-3C	<a href="#">125</a>	Case	1	
<a href="#">1283938</a>	C.B.P-TITE SCREW,3X12,F/ZN-3C	<a href="#">126</a>	Case	1	
<a href="#">1282370</a>	C.B.S-TITE SCREW,3X6,F/ZN-3C	<a href="#">127</a>	Case	1	
<a href="#">1233911</a>	GROUNDING PLATE,I/F	<a href="#">132</a>	Case	1	
<a href="#">1064693</a>	GROUNDING PLATE,I/F,UPPER	<a href="#">133</a>	Case	1	
<a href="#">1284064</a>	C.B.S-TITE SCREW,3X20,F/ZN-3C	<a href="#">135</a>	Case	1	
<a href="#">2018967</a>	DETECTOR ASSY.,CASE OPEN	<a href="#">150</a>	Case	1	
<a href="#">1026338</a>	HOLDER,DETECTOR	<a href="#">151</a>	Case	1	
<a href="#">1025510</a>	GROUNDING PLATE,I/F	<a href="#">(CN2)</a>	Electronic Parts	1	
<a href="#">2104271</a>	BOARD ASSY., MAIN	<a href="#">200</a>	Electronic Parts	1	
<a href="#">2080699</a>	BOARD ASSY., POWER SUPPLY	<a href="#">330</a>	Electronic Parts	1	
<a href="#">2081151</a>	HARNESS	<a href="#">372</a>	Electronic Parts	1	
<a href="#">2082139</a>	HARNESS	<a href="#">373</a>	Electronic Parts	1	
<a href="#">1262597</a>	HOUSING ASSY.,PANEL	<a href="#">450</a>	Electronic Parts	1	
<a href="#">2066278</a>	BEADS CORE	<a href="#">B1</a>	Electronic Parts	1	
<a href="#">2066278</a>	BEADS CORE	<a href="#">B2</a>	Electronic Parts	1	
<a href="#">2013284</a>	CONNECTOR 57RE-40360-830B(D7B)	<a href="#">CN1</a>	Electronic Parts	1	
<a href="#">2003679</a>	CONNECTOR	<a href="#">CN11</a>	Electronic Parts	1	
<a href="#">2033256</a>	CONNECTOR	<a href="#">CN12</a>	Electronic Parts	1	
<a href="#">2029529</a>	CONNECTOR	<a href="#">CN13</a>	Electronic Parts	1	
<a href="#">2019814</a>	CONNECTOR	<a href="#">CN14</a>	Electronic Parts	1	
<a href="#">2021900</a>	CONNECTOR	<a href="#">CN15</a>	Electronic Parts	1	
<a href="#">2080667</a>	CONNECTOR	<a href="#">CN16</a>	Electronic Parts	1	
<a href="#">2052745</a>	CONNECTOR(X600440120)	<a href="#">CN19</a>	Electronic Parts	1	
<a href="#">2036981</a>	CONNECTOR	<a href="#">CN20</a>	Electronic Parts	1	

<a href="#">2027835</a>	CONNECTOR	<a href="#">CN3</a>	Electronic Parts	1
<a href="#">2003680</a>	CONNECTOR	<a href="#">CN5</a>	Electronic Parts	1
<a href="#">2003678</a>	CONNECTOR	<a href="#">CN6</a>	Electronic Parts	1
<a href="#">2102705</a>	CONNECTOR	<a href="#">CN7</a>	Electronic Parts	1
<a href="#">2052745</a>	CONNECTOR(X600440120)	<a href="#">CN8</a>	Electronic Parts	1
<a href="#">2012708</a>	DIODE	<a href="#">D1</a>	Electronic Parts	1
<a href="#">2052381</a>	DIODE(X320010829)	<a href="#">D4</a>	Electronic Parts	1
<a href="#">2052447</a>	DIODE(X320011839)	<a href="#">D7</a>	Electronic Parts	1
<a href="#">2052447</a>	DIODE(X320011839)	<a href="#">D8</a>	Electronic Parts	1
<a href="#">2027798</a>	DIODE ARRAY	<a href="#">DM2</a>	Electronic Parts	1
<a href="#">2024871</a>	RESET IC	<a href="#">IC13</a>	Electronic Parts	1
<a href="#">2000592</a>	HYBRID IC SLA7024M	<a href="#">IC15</a>	Electronic Parts	1
<a href="#">2045148</a>	DRAM	<a href="#">IC16</a>	Electronic Parts	1
<a href="#">2060856</a>	INTERFACE IC	<a href="#">IC2</a>	Electronic Parts	1
<a href="#">2086657</a>	FLASH ROM	<a href="#">IC4</a>	Electronic Parts	1
<a href="#">2035187</a>	IC	<a href="#">IC9</a>	Electronic Parts	1
<a href="#">2035422</a>	TRANSISTOR	<a href="#">Q1</a>	Electronic Parts	1
<a href="#">2052230</a>	TRANSISTOR(X302416909)	<a href="#">Q27</a>	Electronic Parts	1
<a href="#">2108859</a>	PRINTER MECHANISM(ASP),M-3R60-100	<a href="#">500</a>	Mechanism Parts	1
<a href="#">1232303</a>	FRAME ASSY.,RIGHT	<a href="#">501</a>	Mechanism Parts	1
<a href="#">1232302</a>	FRAME ASSY.,LEFT	<a href="#">502</a>	Mechanism Parts	1
<a href="#">2035035</a>	MOTOR ASSY.,CR	<a href="#">503</a>	Mechanism Parts	1
<a href="#">1242126</a>	RD ASSY.	<a href="#">504</a>	Mechanism Parts	1
<a href="#">1250538</a>	BASE RUBBER	<a href="#">505</a>	Mechanism Parts	4
<a href="#">2056298</a>	MOTOR,PF	<a href="#">511</a>	Mechanism Parts	1
<a href="#">2026508</a>	HARNESS,PG	<a href="#">521</a>	Mechanism Parts	1
<a href="#">2004004</a>	DETECTOR,HP	<a href="#">522</a>	Mechanism Parts	1
<a href="#">2026507</a>	HARNESS,HP	<a href="#">523</a>	Mechanism Parts	1
<a href="#">2014328</a>	CONNECTOR SWITCH;B	<a href="#">524</a>	Mechanism Parts	2
<a href="#">1265824</a>	PAPER GUIDE ASSY.,REAR	<a href="#">525</a>	Mechanism Parts	1
<a href="#">1005217</a>	SHAFT,RELEASE	<a href="#">526</a>	Mechanism Parts	1
<a href="#">2026505</a>	HARNESS,PE,FRONT	<a href="#">527</a>	Mechanism Parts	1
<a href="#">2026506</a>	HARNESS,PE,REAR	<a href="#">528</a>	Mechanism Parts	1
<a href="#">2025897</a>	HARNESS,RE	<a href="#">529</a>	Mechanism Parts	1
<a href="#">2071496</a>	DETECTOR,PE,FRONT,S	<a href="#">530</a>	Mechanism Parts	1
<a href="#">1005727</a>	DETECTOR ASSY., REAR	<a href="#">531</a>	Mechanism Parts	1
<a href="#">1005213</a>	ROLLER,PF,DRIVEN,LOWER	<a href="#">532</a>	Mechanism Parts	4
<a href="#">1005282</a>	ROLLER ASSY.,PF	<a href="#">533</a>	Mechanism Parts	4
<a href="#">1005216</a>	EXTENSION SPRING,46	<a href="#">534</a>	Mechanism Parts	1
<a href="#">1005214</a>	COMPRESSION SPRING,1000	<a href="#">535</a>	Mechanism Parts	4
<a href="#">1237005</a>	CARRIAGE SUB ASSY.	<a href="#">536</a>	Mechanism Parts	1
<a href="#">1283915</a>	C.B.B-TITE(W(13))SCREW,3X14,F/ZN-3C	<a href="#">540</a>	Mechanism Parts	4
<a href="#">1408792</a>	TRACTOR ASSY.	<a href="#">541</a>	Mechanism Parts	1
<a href="#">1408766</a>	TRACTOR,LEFT;EDGB	<a href="#">542</a>	Mechanism Parts	1
<a href="#">1408768</a>	TRACTOR,RIGHT;EDGB	<a href="#">543</a>	Mechanism Parts	1
<a href="#">1038503</a>	SHAFT,TR,DRIVE	<a href="#">544</a>	Mechanism Parts	1
<a href="#">1005251</a>	SHAFT,TR,GUIDE	<a href="#">545</a>	Mechanism Parts	1
<a href="#">1251312</a>	FRAME,TR,LEFT;EPAG	<a href="#">546</a>	Mechanism Parts	1
<a href="#">1251313</a>	FRAME,TR,RIGHT;EPAG	<a href="#">547</a>	Mechanism Parts	1
<a href="#">1251314</a>	LEVER,TR,LEFT;EDGB	<a href="#">548</a>	Mechanism Parts	1

<a href="#">1251315</a>	LEVER,TR,RIGHT;EDGB	<a href="#">549</a>	Mechanism Parts	1
<a href="#">1025296</a>	PAPER SUPPORT	<a href="#">550</a>	Mechanism Parts	1
<a href="#">1039507</a>	SPUR GEAR,20	<a href="#">551</a>	Mechanism Parts	2
<a href="#">1283665</a>	E-RING,6,F/UC-3C	<a href="#">552</a>	Mechanism Parts	2
<a href="#">1277107</a>	COVER,PAPER EJECT	<a href="#">556</a>	Mechanism Parts	1
<a href="#">1277106</a>	PAPER EJECT ASSY.	<a href="#">557</a>	Mechanism Parts	1
<a href="#">1005243</a>	LEAF SPRING,PAPER EJECT,DOUBLE	<a href="#">560</a>	Mechanism Parts	1
<a href="#">1235581</a>	SPUR GEAR,15	<a href="#">561</a>	Mechanism Parts	1
<a href="#">1004929</a>	SPUR GEAR,11.5	<a href="#">562</a>	Mechanism Parts	1
<a href="#">1005514</a>	LEAF SPRING,PAPER EJECT,SINGLE	<a href="#">563</a>	Mechanism Parts	1
<a href="#">1038502</a>	ROLLER,EJ,DRIVE	<a href="#">564</a>	Mechanism Parts	1
<a href="#">1008704</a>	SLIDER,CR	<a href="#">565</a>	Mechanism Parts	1
<a href="#">2108741</a>	CABLE,HEAD	<a href="#">568</a>	Mechanism Parts	1
<a href="#">1090459</a>	ROLLER ASSY.,DRIVE	<a href="#">569</a>	Mechanism Parts	1
<a href="#">1242127</a>	PLATEN ASSY.	<a href="#">570</a>	Mechanism Parts	1
<a href="#">1236997</a>	FRAME,REAR	<a href="#">571</a>	Mechanism Parts	1
<a href="#">1236999</a>	FRAME,BASE	<a href="#">572</a>	Mechanism Parts	1
<a href="#">1243506</a>	COVER,PLATEN	<a href="#">573</a>	Mechanism Parts	1
<a href="#">1274547</a>	RIBBON MASK	<a href="#">575</a>	Mechanism Parts	1
<a href="#">1043222</a>	PAPER GUIDE ASSY.,SUPPORT	<a href="#">576</a>	Mechanism Parts	1
<a href="#">1237002</a>	GUIDE,PAPER LOAD	<a href="#">577</a>	Mechanism Parts	1
<a href="#">1235585</a>	LEVER,RELEASE,TRANSMISSION;W	<a href="#">578</a>	Mechanism Parts	1
<a href="#">1282261</a>	FRAME,FRONT	<a href="#">579</a>	Mechanism Parts	1
<a href="#">1235586</a>	FRAME,SUB,RIGHT	<a href="#">580</a>	Mechanism Parts	1
<a href="#">1265406</a>	SHAFT,CR,GUIDE	<a href="#">582</a>	Mechanism Parts	1
<a href="#">1232294</a>	BUSHING,PARALLEL,ADJUST	<a href="#">583</a>	Mechanism Parts	1
<a href="#">1232267</a>	LEVER,GAP,ADJUST	<a href="#">584</a>	Mechanism Parts	1
<a href="#">1251316</a>	CAP,LEVER;EDGB	<a href="#">585</a>	Mechanism Parts	1
<a href="#">1036501</a>	GROUNDING PLATE,MECHA	<a href="#">586</a>	Mechanism Parts	1
<a href="#">1005185</a>	MOUNTING PLATE,MOTOR,CR	<a href="#">587</a>	Mechanism Parts	1
<a href="#">1259448</a>	HOLDER,RIBBON MASK	<a href="#">588</a>	Mechanism Parts	1
<a href="#">1038496</a>	OIL PAD	<a href="#">589</a>	Mechanism Parts	1
<a href="#">1251311</a>	LEVER,RELEASE;EDGB	<a href="#">590</a>	Mechanism Parts	1
<a href="#">1028357</a>	CAM,CLUTCH,TRACTOR	<a href="#">591</a>	Mechanism Parts	1
<a href="#">1234169</a>	HOLDER,CABLE	<a href="#">592</a>	Mechanism Parts	1
<a href="#">1008716</a>	COMBINATION GEAR,31,5,8	<a href="#">593</a>	Mechanism Parts	1
<a href="#">1005224</a>	SPUR GEAR,27	<a href="#">594</a>	Mechanism Parts	1
<a href="#">1013093</a>	SPUR GEAR,34.5	<a href="#">595</a>	Mechanism Parts	2
<a href="#">1005226</a>	SPUR GEAR,34	<a href="#">596</a>	Mechanism Parts	1
<a href="#">1005227</a>	SPUR GEAR,15	<a href="#">597</a>	Mechanism Parts	1
<a href="#">1028359</a>	INTERMITTENT GEAR	<a href="#">598</a>	Mechanism Parts	1
<a href="#">1005201</a>	EXTENSION SPRING,71	<a href="#">600</a>	Mechanism Parts	3
<a href="#">1005232</a>	COMPRESSION SPRING,200	<a href="#">601</a>	Mechanism Parts	1
<a href="#">1284031</a>	C.B.S-TITE C.(P2)SCREW,3X8,F/ZN-3C	<a href="#">603</a>	Mechanism Parts	3
<a href="#">1284013</a>	C.B.SCREW,3X6,F/ZN-3C	<a href="#">605</a>	Mechanism Parts	1
<a href="#">1038560</a>	PLANE WASHER,8.2X0.5X12,L/NA	<a href="#">607</a>	Mechanism Parts	2
<a href="#">1284000</a>	C.B.SCREW,3X10,F/ZN-3C	<a href="#">609</a>	Mechanism Parts	1
<a href="#">1284015</a>	C.B.SCREW,3X8,F/ZN-3C	<a href="#">610</a>	Mechanism Parts	1
<a href="#">1005416</a>	SHAFT,MOUNT,CR	<a href="#">613</a>	Mechanism Parts	1
<a href="#">1005176</a>	HOLDER,CABLE,HEAD	<a href="#">615</a>	Mechanism Parts	1

<a href="#">1242257</a>	SHEET,RELEASE,CAP	<a href="#">616</a>	Mechanism Parts	1
<a href="#">1031612</a>	SPUR GEAR,36	<a href="#">618</a>	Mechanism Parts	1
<a href="#">1025323</a>	LEVER,DETECTOR,PE,REAR	<a href="#">620</a>	Mechanism Parts	1
<a href="#">1025324</a>	LEVER,PE,SUPPORT	<a href="#">621</a>	Mechanism Parts	1
<a href="#">1025325</a>	TORSION SPRING,0.26	<a href="#">622</a>	Mechanism Parts	1
<a href="#">1275824</a>	HEAD KIT ASP	<a href="#">650</a>	Mechanism Parts	1
<a href="#">1080933</a>	EXTENSION SPRING,16.45	<a href="#">651</a>	Mechanism Parts	1
<a href="#">1080935</a>	HOLDER,PULLEY DRIVEN	<a href="#">652</a>	Mechanism Parts	1
<a href="#">1433885</a>	SUPPORT,HEAD CABLE	<a href="#">NON FIG</a>	Mechanism Parts	1
<a href="#">1049820</a>	OIL O-14	<a href="#">NON FIG</a>	Tools	1
<a href="#">1218235</a>	GREASE G-63	<a href="#">NON FIG</a>	Tools	1

Part Code	Part Name	Ref No.	Category	Qty	Remark
-----------	-----------	---------	----------	-----	--------