

EPSON FX1170

Page 1

REF	PART	DESC	QTY	STANDARD
100	1009550	HOUSING ASSY.,LOWER	1	
101	F353651040	RUBBER FOOT	2	
102	1009552	HOUSING ASSY.,UPPER	1	
104	1009560	COVER ASSY.,PRINTER	1	
106	1005549	EDGE GUIDE ASSY., REAR	1	
107	1009557	COVER ASSY.,FRONT	1	
108	1005478	KNOB	1	
109	1009562	SHIELD PLATE	1	
111	1011862	SHIELD PLATE,UPPER	1	
112	1005480	GROUNDING PLATE	4	
113	1005382	GROUNDING PLATE,I/F	1	
114	1012860	FRAME,STRENGTHEN	1	
115	1002045	COVER.CONNECTOR,UPPER	1	
117	1006374	GUIDE,I/F BOARD	1	
118	1009554	HOLDER,SHEET GUIDE,LEFT	1	
119	1009555	HOLDER,SHEET GUIDE,RIGHT	1	
120	1010315	LOGO PLATE	1	
121	B310204311	C.B.B. SCREW	1	M3X8
122	B045800115	C.B.(O) SCREW	1	M4X8
123	B300204211	C.B.S. SCREW	1	M3X6
124	B310204511	C.B.B. SCREW	7	M3X12
125	B300200111	C.B.S. SCREW	1	M3X4
126	B310206411	C.B.B. SCREW	7	M4X12
127	1012989	C.B.USCA C	6	M3X8 F/ZN
128	1002674	C.B.S-TITE SCREW	2	M3X12
129	X510060030	SNAP BAND	1	
130	2006448	FERRITE CORE	1	
131	1012990	C.B.USCA C(S-P1)	1	M3X10 F/ZN
133	1011863	GROUNDING PLATE,I/F,UPPER	1	
200	2006158	BOARD ASSY.,MAIN WITHOUT IC3	1	
(IC3)	X630113230	IC SOCKET	1	32 PIN
IC3	2008565	P-ROM TVB00-A	1	27512-2
CN1	2004061	CONNECTOR	1	36 PIN
CN12	2007185	CONNECTOR	1	10 PIN
CN13	2003145	CONNECTOR	1	5 PIN
CN14	2006298	HARNESS	1	
CN2	2001155	CONNECTOR	1	36 PIN
CN3	2003152	CONNECTOR	1	2 PIN
CN4	2003147	CONNECTOR	1	2 PIN
CN5	2003148	CONNECTOR	1	2 PIN
CN6	2005107	CONNECTOR	1	6 PIN
CN7	2003151	CONNECTOR	1	2 PIN
CN8	2006349	CONNECTOR	1	14 PIN
CN9	2003412	CONNECTOR	1	3 PIN
CR1	X504007909	CERAMIC OSCILLATOR	1	9.83MHZ
C1,C2	2000801	CHIP CAPACITOR	2	0.1UF 25V TP
C13	X200561020	AL'IUM. E'LYTIC. CAP.	1	BL 1000UF 50V 20%
C14,C15	2000801	CHIP CAPACITOR	2	0.1UF 25V TP
C16,C27	2008336	CHIP CAPACITOR	2	470PF 50V 5% TP
C17,C23	2000801	CHIP CAPACITOR	2	0.1UF 25V TP
C18	2006348	CHIP CAPACITOR	1	0.1UF 50V TP
C20	X200561009	AL'IUM. E'LYTIC. CAP.	1	10UF DC50V 20%
C22	2005084	CHIP CAPACITOR	1	0.01UF 50V 10%
C24	X200560229	AL'IUM. E'LYTIC. CAP.	1	2.2UF DC50V 20%
C25,C26	2006347	CHIP CAPACITOR	2	2200PF 50V 10% TP
C28	2008336	CHIP CAPACITOR	1	470PF 50V 5% TP

EPSON FX1170

Page 2

REF	PART	DESC	QTY	STANDARD
C29	X200562219	AL' IUM. E'LYTIC. CAP.	1	220UF 50V 20%
C30	X200560479	AL' IUM. E'LYTIC. CAP.	1	4.7UF 50V 20%
C31	2000801	CHIP CAPACITOR	1	0.1UF 25V TP
C4-C6,C12	2000801	CHIP CAPACITOR	4	0.1UF 25V TP
C7,C19	2006345	CHIP CAPACITOR	2	220PF 50V 10% TP
D1	2007793	DIODE	1	60V 1MA 250MW TP
D2-D4	X320010512	DIODE	3	100V 1A
D5-D7	2007179	SCHOTTKY BARRIER DIODE	3	30V 200MA TP
IC1	2006327	TRANSISTOR ARRAY	1	100V 2A NPN
IC2	2007203	PS-RAM	1	SOP 256KB 100NS 28
IC4	2006210	GATE ARRAY E05A66YA	1	QFP 100
IC5	X423350079	TTL-IC	1	HEX BUF/DRV. OC HI-VOLT
IC6	2007885	HIC	1	18 PIN
Q1	2008447	CHIP TRANSISTOR	1	50V 100MA 200MW TP
Q14	2008445	CHIP TRANSISTOR	1	50V 100MA 200MW TP
Q15	X301131809	TRANSISTOR	1	PNP 100V 3A 1W
Q2,Q4-Q6	X302398700	TRANSISTOR	4	BL 50V 3A 2W 1000
Q3,Q7,Q13	2006325	TRANSISTOR	3	BL 100V 6A 30W
Q8-Q12	X302398700	TRANSISTOR	5	BL 50V 3A 2W 1000
RM1	X111883320	RESISTOR ARRAY	1	3.3K OHM X8 5%
R1-R4	X193011022	CHIP RESISTOR	4	1K OHM 1/10W 5%
R15-R17	2002121	CHIP RESISTOR	3	220 OHM 1/8W 5% TP
R20-R29	X193011022	CHIP RESISTOR	10	1K OHM 1/10W 5%
R30	2001520	CHIP RESISTOR	1	100 OHM 1/10W 5%
R31,R91	2001538	CHIP RESISTOR	2	47K OHM 1/10W 5%
R32,R33	X193011022	CHIP RESISTOR	2	1K OHM 1/10W 5%
R40,R55	2006335	CHIP RESISTOR	2	2.7K OHM 1/2W 5%
R41	2001531	CHIP RESISTOR	1	3.3 OHM 1/10W 5%
R43,R69	X193011032	CHIP RESISTOR	2	10K OHM 1/10W 5%
R44	2007180	CHIP RESISTOR	1	5.1K OHM 1/2W 5%
R45-R47	X193011022	CHIP RESISTOR	3	1K OHM 1/10W 5%
R48	2002121	CHIP RESISTOR	1	220 OHM 1/8W 5% TP
R49	2006334	FUSE RESISTOR	1	BL 10 OHM 1W 5%
R5,R11,R42	X193011032	CHIP RESISTOR	3	10K OHM 1/10W 5%
R50	2007953	HIGH STABILIZED M/F RESISTOR	1	7.59K OHM 1/4W 5% TP
R51	2006337	HIGH STABILIZED M/F RESISTOR	1	1.04K OHM 1/4W 5% TP
R52-R54	X193012022	CHIP RESISTOR	3	2K OHM 1/10W 5%
R56	2006335	CHIP RESISTOR	1	2.7K OHM 1/2W 5%
R58	2001535	CHIP RESISTOR	1	15K OHM 1/10W 5%
R6	2006343	CHIP RESISTOR	1	3.3K OHM 1/10W 1% TP
R60-R68	2006333	CHIP RESISTOR	9	470 OHM 1/8W 5%
R7,R34-R39	2001531	CHIP RESISTOR	7	3.3 OHM 1/10W 5%
R70	X193011032	CHIP RESISTOR	1	10K OHM 1/10W 5%
R73	2001521	CHIP RESISTOR	1	200 OHM 1/10W 5%
R74-R77	2001531	CHIP RESISTOR	4	3.3 OHM 1/10W 5%
R78	2001524	THICK FILM CHIP RESISTOR	1	470 OHM 1/10W 5%
R79	X193011022	CHIP RESISTOR	1	1K OHM 1/10W 5%
R8-R10,R57	2005570	CHIP RESISTOR	4	6.2K OHM 1/10W 1% TP
R80	X193412022	CHIP RESISTOR	1	2K OHM 1/4W 5% TP
R81,R82	2001530	CHIP RESISTOR	2	2.4K OHM 1/10W 5%
R83,R84	X120250686	METAL FILM RESISTOR	2	BL 0.68 OHM 2W 2%
R85	2008329	CHIP RESISTOR	1	7.61K OHM 1/10W 1% TP
R86	2008332	CHIP RESISTOR	1	432M OHM 1/10W 1% TP
R87-R90	X193011032	CHIP RESISTOR	4	10K OHM 1/10W 5%
R92	2001538	CHIP RESISTOR	1	47K OHM 1/10W 5%

EPSON

FX1170

Page 3

REF	PART	DESC	QTY	STANDARD
R93	2006342	CHIP RESISTOR	1	2K OHM 1/10W 1% TP
R94	2008331	CHIP RESISTOR	1	1.13K OHM 1/10W 1% TP
R95	2008330	CHIP RESISTOR	1	6.65K OHM 1/10W 1% TP
R96-R98	2001531	CHIP RESISTOR	3	3.3 OHM 1/10W 5%
ZD1	X330160109	ZENER DIODE	1	4.7 +-0.05V 0.15A 0.4A
ZD2	2007202	ZENER DIODE	1	5MA 400MW 16.9V 17.7V T
2C1	2004441	MICROCONTROLLER	1	QFP 64
5C1	2007178	EEPROM	1	8 PIN 128K BIT
330	2006190	BOARD ASSY.,PSB 120V	1	
B51	2003171	BEADS CORE	1	
CN1	2000295	CONNECTOR	1	2 PIN
CN2	2006205	CONNECTOR	1	11,2.54MM
C1	2001138	FILM CAPACITOR	1	0.22UF 250V 20%
C10	2003140	FILM CAPACITOR	1	4700PF 50V 5%
C11,C12	2003120	CERAMIC CAPACITOR	2	470PF 2KV 20%
C2,C3	X220802227	CERAMIC CAPACITOR	2	2200PF AC125V 20%
C51,C52	2004430	AL'UM. E'LYTIC. CAP.	2	3300UF 50V 20%
C53	2003110	AL'UM. E'LYTIC. CAP.	1	22UF 35V 20%
C54	X236104010	FILM CAPACITOR	1	0.1UF 50V 5%
C55	2003109	AL'UM. E'LYTIC. CAP.	1	470UF 6.3V 20%
C58	2003142	FILM CAPACITOR	1	0.01UF 50V 5%
C59	X220223310	CERAMIC CAPACITOR	1	330PF DC50V 10%
C6	X234511044	CERAMIC CAPACITOR	1	0.1UF 250V 20%
C7	2007919	AL'UM. E'LYTIC. CAP.	1	BL,330UF 200V 20%
C8,C56	2003712	CERAMIC CAPACITOR	2	2200PF 1KV 10%
C9	2003400	AL'UM. E'LYTIC. CAP.	1	22UF 100V 20%
DB1	X340400350	DIODE	1	400V 4A
D1	2003101	DIODE	1	400V 0.7A
D2,D3	X320011449	DIODE	2	40V 0.6A 0.2W
D51	X340400900	RECTIFIER STACK	1	200V 5.0A
D51	1006141	HEAT SINK	1	
D52	2003102	DIODE	1	200V 0.7A
D53,D54	2003127	SWITCHING DIODE	2	50V 100MA
D55	X320010992	DIODE	1	40V 2.6A
F1	X502100100	FUSE HOLDER	2	
F1	2003118	FUSE	1	125V 2.5A
IC1	2001467	VOLTAGE REGULATOR	1	
IC51	X440034940	LINEAR IC	1	BIPOLAR SWREG DIP
J1,J51	1001292	JUMPER WIRE	2	
J3,J4	1001292	JUMPER WIRE	2	
J52-J54	1001292	JUMPER WIRE	3	
J55-J57	1001292	JUMPER WIRE	3	
L1	2003162	COIL	1	5.6MH
L2(2),C57	1001292	JUMPER WIRE	2	
L51	Y565201004	CHOKE COIL	1	200UH 2.5A
PC1	X350040081	PHOTO COUPLER	1	35V 500MA 100MW
Q1	X520000160	HEAT SINKER	1	
Q1	2003137	FET	1	450V 8A 50W
Q1,D51	B300204211	C.B.S. SCREW	2	M3X6
Q2	2000623	TRANSISTOR	1	50V 2A 900MW
Q3,Q52	X300168009	TRANSISTOR	2	PNP 50V 2A 900MW
Q51	X300146900	TRANSISTOR	1	60V 5A 200W
Q53	X312212439	TRANSISTOR	1	50V 100MA 300MW 22K OHM
Q54	X312212429	TRANSISTOR	1	50V 100MA 300MW 22K OHM
R1,R6	X154413042	CARBON FILM RESISTOR	2	300K OHM 1/4W 5%

REF	PART	DESC	QTY	STANDARD
R10,R13	X154414722	CARBON FILM RESISTOR	2	4.7K OHM 1/4W 5%
R12	X154412422	CARBON FILM RESISTOR	1	2.4K OHM 1/4W 5%
R14	X154411052	CARBON FILM RESISTOR	1	1M OHM 1/4W 5%
R15	X154412022	CARBON FILM RESISTOR	1	2K OHM 1/4W 5%
R19	X154410102	CARBON FILM RESISTOR	1	1 OHM 1/4W 5%
R2	2006206	CEMENT RESISTOR	1	BL, 20HM 5W 5%
R3	2003108	METAL OXIDE FILM RESISTOR	1	430 OHM 1W 5%
R4	2003106	METAL FILM RESISTOR	1	0.39 OHM 2W 5%
R5	2003107	METAL OXIDE FILM RESISTOR	1	10K OHM 2W 5%
R51,R52	2003105	METAL OXIDE FILM RESISTOR	2	470 OHM 2W 5%
R53	2003104	METAL FILM RESISTOR	1	0.22 OHM 2W 5%
R54,R59	X154411032	CARBON FILM RESISTOR	2	10K OHM 1/4W 5%
R55	X154412032	CARBON FILM RESISTOR	1	20K OHM 1/4W 5%
R56,R62	X154413012	CARBON FILM RESISTOR	2	300 OHM 1/4W 5%
R57	X154411522	CARBON FILM RESISTOR	1	1.5K OHM 1/4W 5%
R58,R66	X154412042	CARBON FILM RESISTOR	2	200K OHM 1/4W 5%
R60	X154411032	CARBON FILM RESISTOR	1	10K OHM 1/4W 5%
R61	X154412002	CARBON FILM RESISTOR	1	20 OHM 1/4W 5%
R63	X154413622	CARBON FILM RESISTOR	1	3.6K OHM 1/4W 5%
R64	X154411012	CARBON FILM RESISTOR	1	100 OHM 1/4W 5%
R65,R68	X154411022	CARBON FILM RESISTOR	2	1K OHM 1/4W 5%
R67,R69	X154413022	CARBON FILM RESISTOR	2	3K OHM 1/4W 5%
R7	X154411632	CARBON FILM RESISTOR	1	16K OHM 1/4W 5%
R8,R11	X154412712	CARBON FILM RESISTOR	2	270 OHM 1/4W 5%
R9	X154415112	CARBON FILM RESISTOR	1	510 OHM 1/4W 5%
TH1	2003126	THERMISTOR	1	
T1	2003196	TRANSFORMER	1	
ZD51	2003114	ZENER DIODE	1	150MA 400MW
ZD52	2003115	ZENER DIODE	1	150MA 400MW
ZD53,ZD54	2003116	ZENER DIODE	2	150MA 400MW 6.3V 6.6V
ZD55	2003117	ZENER DIODE	1	150MA 400MW 5.1V 5.3V
350	2006191	BOARD ASSY.,PSE 220/240V	1	
B51	2003171	BEADS CORE	1	
CN1	2000295	CONNECTOR	1	2 PIN
CN2	2006205	CONNECTOR	1	11,2.54MM
C1	2001137	FILM CAPACITOR	1	0.47UF 250V 20%
C10	2003140	FILM CAPACITOR	1	4700PF 50V 5%
C11	2003121	CERAMIC CAPACITOR	1	100PF 2KV 20%
C2-C5	X220802227	CERAMIC CAPACITOR	4	2200PF AC125V 20%
C51,C52	2004430	AL'UM. E'LYTIC. CAP.	2	3300UF 50V 20%
C53	2003110	AL'UM. E'LYTIC. CAP.	1	22UF 35V 20%
C54	X236104010	FILM CAPACITOR	1	0.1UF 50V 5%
C55	2003109	AL'UM. E'LYTIC. CAP.	1	470UF 6.3V 20%
C58	2003142	FILM CAPACITOR	1	0.01UF 50V 5%
C59	X220223310	CERAMIC CAPACITOR	1	330PF DC50V 10%
C6	X234511044	CERAMIC CAPACITOR	1	0.1UF 250V 20%
C7	2003112	AL'UM. E'LYTIC. CAP.	1	120UF 400V 20%
C8	X220604726	CERAMIC CAPACITOR	1	4700PF DC1KV 10%
C9	2003400	AL'UM. E'LYTIC. CAP.	1	22UF 100V 20%
DB1	X340400321	DIODE BRIDGE	1	600V 4.0A
D1	2004192	DIODE	1	1KV,1A,0W,
D2,D3	X320011449	DIODE	2	40V 0.6A 0.2W
D51	X340400900	RECTIFIER STACK	1	200V 5.0A
D51	1006141	HEAT SINK	1	
D52	2003102	DIODE	1	200V 0.7A

EPSON

FX1170

Page 5

REF	PART	DESC	QTY	STANDARD
D53,D54	2003127	SWITCHING DIODE	2	50V 100MA
D55	X320010992	DIODE	1	40V 2.6A
F1	X502100100	FUSE HOLDER	1	
F1	2005684	FUSE	1	250V 1.25A
IC1	2001467	VOLTAGE REGULATOR	1	
IC51	X440034940	LINEAR IC	1	BIPOLAR SWREG DIP
J1,J51-J53	1001292	JUMPER WIRE	4	
J2,J5,J54	1001292	JUMPER WIRE	3	
J3,J4	1001292	JUMPER WIRE	2	
J55,C57	1001292	JUMPER WIRE	2	
J56,J57	1001292	JUMPER WIRE	2	
L1	X507262000	COIL	1	10MH
L2	Y451202012	COIL	1	1MH 2A
L51	Y565201004	CHOKE COIL	1	200UH 2.5A
PC1,PC2	2007060	PHOTO COUPLER	2	60MA 150MW 55V 50MA
Q1	X520000160	HEAT SINK	1	
Q1	2003139	FET	1	900V 3A 40W
Q1,D51	B300204211	C.B.S. SCREW	2	M3X6
Q2	2000623	TRANSISTOR	1	50V 2A 900MW
Q3,Q52	X300168009	TRANSISTOR	2	PNP 50V 2A 900MW
Q51	X300146900	TRANSISTOR	1	60V 5A 200W
Q53	X312212439	TRANSISTOR	1	50V 100MA 300MW 22K OHM
Q54	X312212429	TRANSISTOR	1	50V 100MA 300MW 22K OHM
R1,R6,R16	X154413042	CARBON FILM RESISTOR	3	300K OHM 1/4W 5%
R10,R13	X154414722	CARBON FILM RESISTOR	2	4.7K OHM 1/4W 5%
R12	X154412422	CARBON FILM RESISTOR	1	2.4K OHM 1/4W 5%
R14,R18	X154411552	CARBON FILM RESISTOR	2	1.5M OHM 1/4W 5%
R15	X154412022	CARBON FILM RESISTOR	1	2K OHM 1/4W 5%
R17	X154413042	CARBON FILM RESISTOR	1	300K OHM 1/4W 5%
R19	X154410102	CARBON FILM RESISTOR	1	1 OHM 1/4W 5%
R2	2004242	CEMENT RESISTOR	1	BL,10 OHM,5W,+,-5%,
R3	X130222216	METAL OXIDE FILM RESISTOR	1	220 OHM 2W 5%
R4	2003103	METAL FILM RESISTOR	1	0.91 OHM 2W 5%
R5	X130221046	METAL OXIDE FILM RESISTOR	1	100K OHM 2W 5%
R51,R52	2003105	METAL OXIDE FILM RESISTOR	2	470 OHM 2W 5%
R53	2003104	METAL FILM RESISTOR	1	0.22 OHM 2W 5%
R54,R59	X154411032	CARBON FILM RESISTOR	2	10K OHM 1/4W 5%
R55	X154412032	CARBON FILM RESISTOR	1	20K OHM 1/4W 5%
R56,R62	X154413012	CARBON FILM RESISTOR	2	300 OHM 1/4W 5%
R57	X154411522	CARBON FILM RESISTOR	1	1.5K OHM 1/4W 5%
R58,R66	X154412042	CARBON FILM RESISTOR	2	200K OHM 1/4W 5%
R60	X154411032	CARBON FILM RESISTOR	1	10K OHM 1/4W 5%
R61	X154412002	CARBON FILM RESISTOR	1	20 OHM 1/4W 5%
R63	X154413622	CARBON FILM RESISTOR	1	3.6K OHM 1/4W 5%
R64	X154411012	CARBON FILM RESISTOR	1	100 OHM 1/4W 5%
R67,R69	X154413022	CARBON FILM RESISTOR	2	3K OHM 1/4W 5%
R7	X154411332	CARBON FILM RESISTOR	1	13K OHM 1/4W 5%
R8,R11	X154412712	CARBON FILM RESISTOR	2	270 OHM 1/4W 5%
R9,R65,R68	X154411022	CARBON FILM RESISTOR	3	1K OHM 1/4W 5%
T1	2003197	TRANSFORMER	1	
ZD51	2003114	ZENER DIODE	1	150MA 400MW
ZD52	2003115	ZENER DIODE	1	150MA 400MW
ZD53,ZD54	2003116	ZENER DIODE	2	150MA 400MW 6.3V 6.6V
ZD55	2003117	ZENER DIODE	1	150MA 400MW 5.1V 5.3V
450	2006160	BOARD ASSY.,PNL	1	

EPSON FX1170

Page 6

REF	PART	DESC	QTY	STANDARD
CN1	2007176	CONNECTOR	1	10 PIN
C1	2006351	CERAMIC CAPACITOR	1	BL, 0.1UF 50V
LED1-LED3	2008370	LED	3	BL 3V 25MA 75MW
SW1-SW3	2003159	PUSH SWITCH	3	30V
SW4	2003160	PUSH SWITCH	1	4V 40MA
400	2002946	POWER CABLE	1	220/240V
401	2006741	POWER CABLE (BS31303SA-SR-10A)	1	240V
402	Y901304200	POWER CABLE (AS31303SI)	1	240V
403	2002365	POWER CABLE VD00303SA-10A	1	220V
370	2002862	POWER CABLE ASSY.	1	FOR 110V
370	2006175	POWER CABLE ASSY.	1	FOR 120V
372	2006156	HARNESS (CONTROL PANEL)	1	
373	2002859	WIRE HARNESS 220/240V	1	
500	2006531	PRINTER MECHANISM 120V	1	M-3E60-000
500	2006532	PRINTER MECHANISM 220/240V	1	M-3E60-001
501	1008690	FRAME SUB ASSY.,RIGHT	1	
502	1008691	FRAME ASSY.,LEFT	1	
503	2007782	MOTOR,CR	1	
504	1008688	RD ASSY.	1	
511	2005613	MOTOR,PF	1	
521	2003032	LEAD, PLATEN, GAP	1	
522	2004004	DETECTOR,HP	1	
523	2005611	LEAD,HP	1	
524	2003030	CONNECTOR SWITCH	2	
525	1005197	PR GUIDE	1	
526	1005217	SHAFT,RELEASE	1	
527	2003034	LEAD, PE, FRONT	1	
528	2003036	LEAD, PE, REAR	1	
529	2003031	LEAD, PF	1	
530	2003033	DETECTOR, PE, FRONT	1	
531	1005727	DETECTOR ASSY., REAR	1	
	1005177	LEVER PE DETECTOR REAR	1	MODIFICATION - ADDED PART
532	1005213	ROLLER,PF,DRIVEN,LOWER	4	
533	1005282	ROLLER ASSY.,PF	4	
534	1005215	EXTENSION SPRING,70	4	
535	1005214	COMPRESSION SPRING,1000	4	
536	1008689	CARRIAGE ASSY.	1	
541	1011007	TRACTOR ASSY.,B	1	
542	1001108	TRACTOR,LEFT	1	
543	1001109	TRACTOR,RIGHT	1	
544	1005250	SHAFT,TR,DRIVE	1	
545	1005251	SHAFT,TR,GUIDE	1	
546	1005246	FRAME,TR,LEFT	1	
547	1005247	FRAME,TR,RIGHT	1	
548	1005248	LEVER,TR,LEFT	1	
549	1005249	LEVER,TR,RIGHT	1	
550	1005417	PR SUPPORT	1	
551	F334257060	TRACTOR GEAR	2	
552	B150300911	RETAINING RING	2	TYPE-E(6)
555	1008687	PR EJECT ASSY.	1	
556	1005235	COVER,PR EJECT	1	
557	1008701	FRAME,PR EJECT,BASE	1	
558	1005236	FRAME,PR EJECT,LEFT	1	
559	1005237	FRAME,PR EJECT,RIGHT	1	
560	1005243	LEAF SPRING,PR EJECT,DOUBLE	1	

EPSON

FX1170

Page 7

REF	PART	DESC	QTY	STANDARD
561	1005244	SPUR GEAR,15	1	
562	1005245	SPUR GEAR,18	1	
563	1005514	LEAF SPRING,PR EJECT,SINGLE	1	
564	1005239	ROLLER,PR EJECT,DRIVE	1	
565	1006901	C.B.C-LAMITITE	2	M3X8
568	2005612	CABLE,HEAD	1	
569	1005287	ROLLER ASSY.,DRIVE	1	
570	1007691	PLATEN	1	
571	F334005250	PLATEN GEAR	1	
572	F334005370	PLATEN SHAFT HOLDER	2	GRAY
573	1005198	COVER,PLATEN	1	
575	1008710	RIBBON MASK	1	
576	1005199	PR GUIDE,SUPPORT	1	
577	1005205	GUIDE,PR LOAD	1	
578	1008711	FRAME,REAR	1	
579	1008706	FRAME,FRONT	1	
580	1008718	FRAME,SUB,RIGHT	1	
582	1008707	SHAFT,CR,GUIDE	1	
583	1005172	BUSHING,PARALLEL,ADJUST	1	
584	1008708	LEVER,GAP,ADJUST	1	
585	1005174	CAP,LEVER	1	
586	1008803	SHEET,ADJUST,CAP	1	
587	1005185	MOUNTING PLATE,MOTOR,CR	1	
588	1005182	HOLDER,RIBBON MASK	1	
589	F335001060	OIL PAD	1	
590	1008717	LEVER,RELEASE	1	
591	1005220	CAM,CLUTCH,TRACTOR	1	
593	1008716	COMBINATION GEAR,31,5,8	1	
594	1005224	SPUR GEAR,27	1	
595	1005225	SPUR GEAR,34.5	2	
596	1005226	SPUR GEAR,34	1	
597	1005227	SPUR GEAR,15	1	
598	1005218	INTERMITTENT GEAR	1	
599	1005186	EXTENSION SPRING,1056	1	
600	1005201	EXTENSION SPRING,71	3	
601	1005232	COMPRESSION SPRING,200	2	
602	1001856	SPRING PIN	1	2X12
603	1000972	C.B.S(P).(0) SCREW	1	M3X8
605	B010303311	C.B.SCREW	2	M3X6
606	B070200411	HEXAGON NUT	1	M4
607	B100166012	PLAIN WASHER	3	8X0.5X15
608	B101253990	LEAF SPRING	1	8.2X0.25X15
609	B160101412	RETAINING RING	2	TYPE-C
610	B300204311	C.B.S. SCREW	15	M3X8
613	1005416	SHAFT,MOUNT,CR	2	
614	1009032	TOOTHED LOCK WASHER A	1	M 4.3X0.45X8.5
615	1008712	SHEET,CABLE,HEAD	1	
616	1008841	SHEET,RELEASE,CAP	1	
01	5001764	INDIVIDUAL CARTON (EAI)	1	FOR EAI
01	5001765	INDIVIDUAL CARTON	1	FOR OTHERS
01	5001766	INDIVIDUAL CARTON	1	FOR ASIA, EAL
02	5001771	OUTER CARTON	1	EXCEPT EAI,EDG,EAL
03	5001776	PAD,PRINTER	1	
04	5001781	PAD,PRINTER,BOTTOM	1	
05	5001778	PAD,SHEET GUIDE	1	

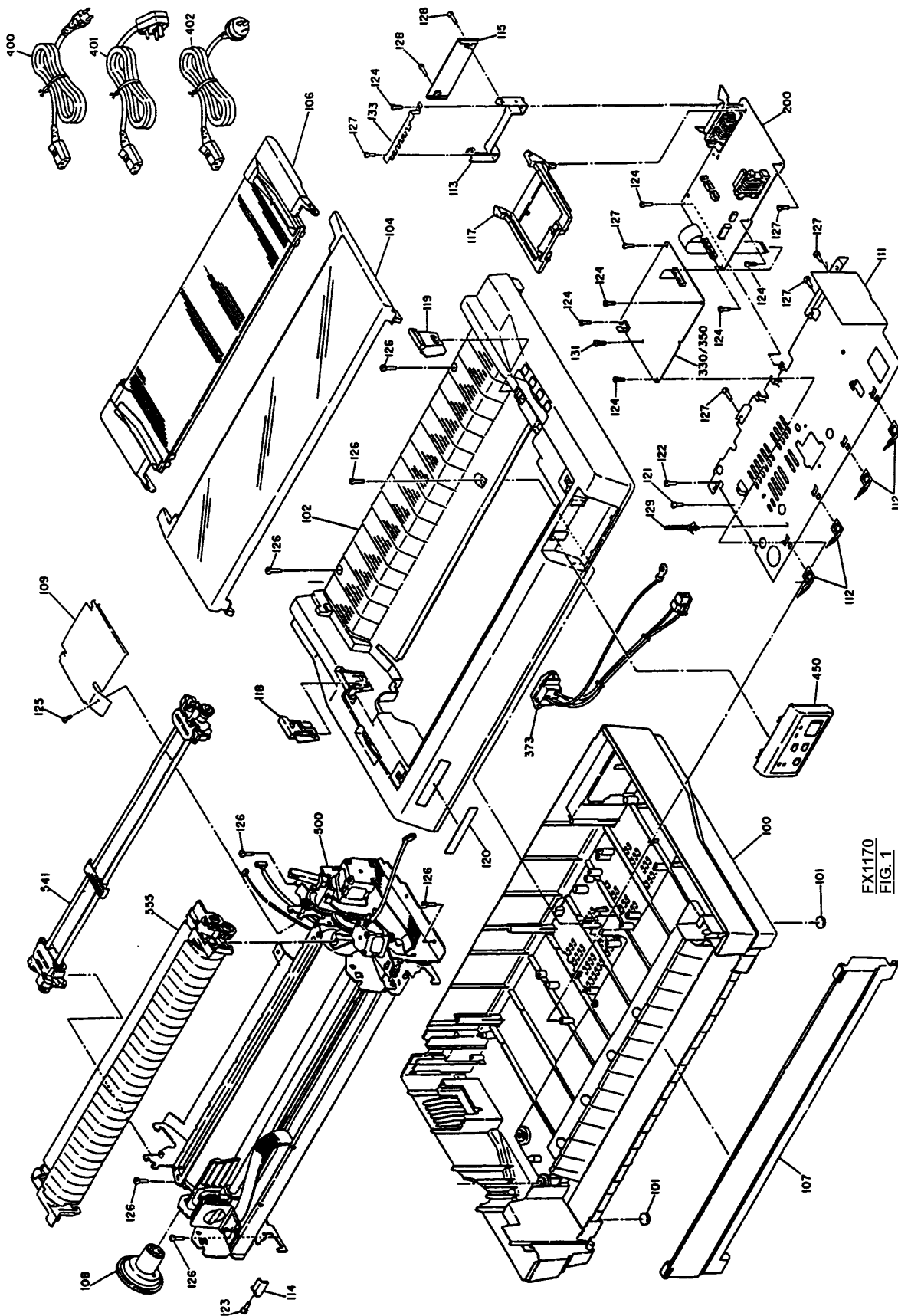
EPSON FX1170

Page 8

REF	PART	DESC	QTY	STANDARD
06	5001779	PAD,CR	1	FOR EAI,ASIA,EAL
06	5001792	PAD,CR;B	1	FOR OTHERS
07	5001780	PAD,TRACTOR	1	
08	5001782	PAD,PR EJECTING UNIT	2	
09	5001522	PLASTIC PROTECTIVE BAG	1	650X1000X0.04T

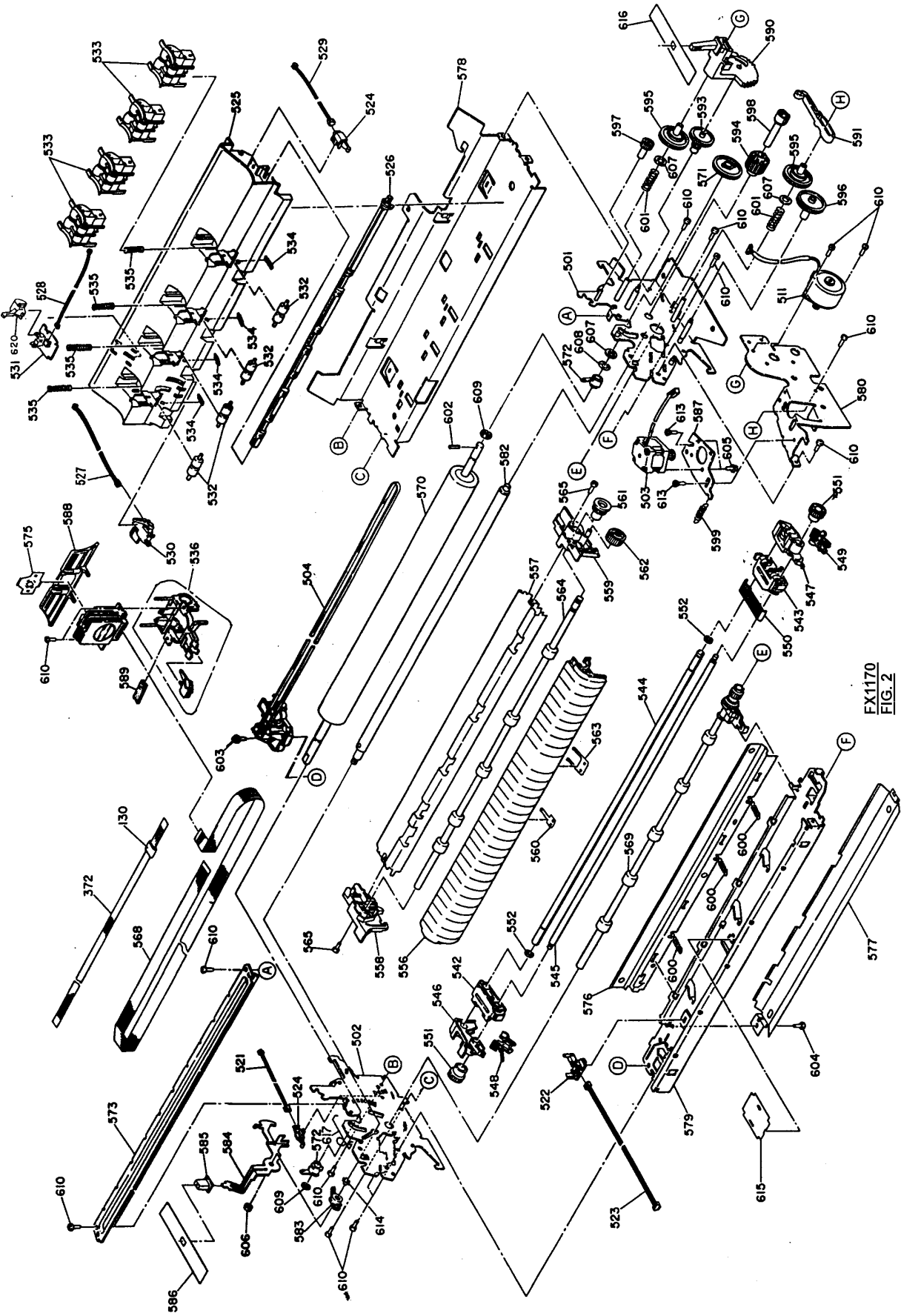
EPSON FX1170

Page 9



EPSON
FX1170
FIG. 1

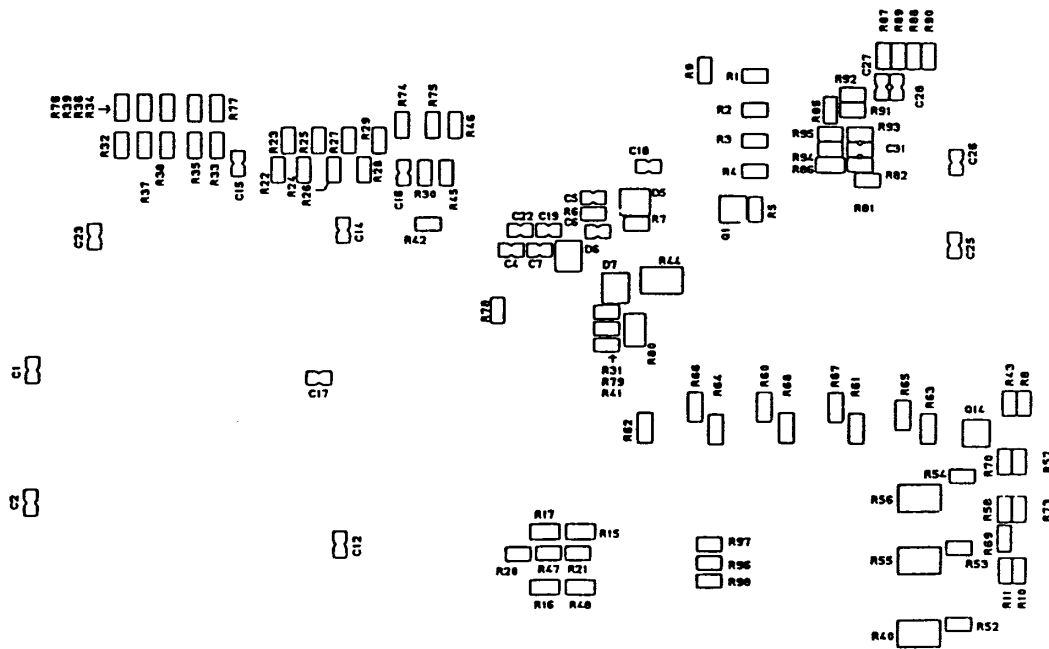
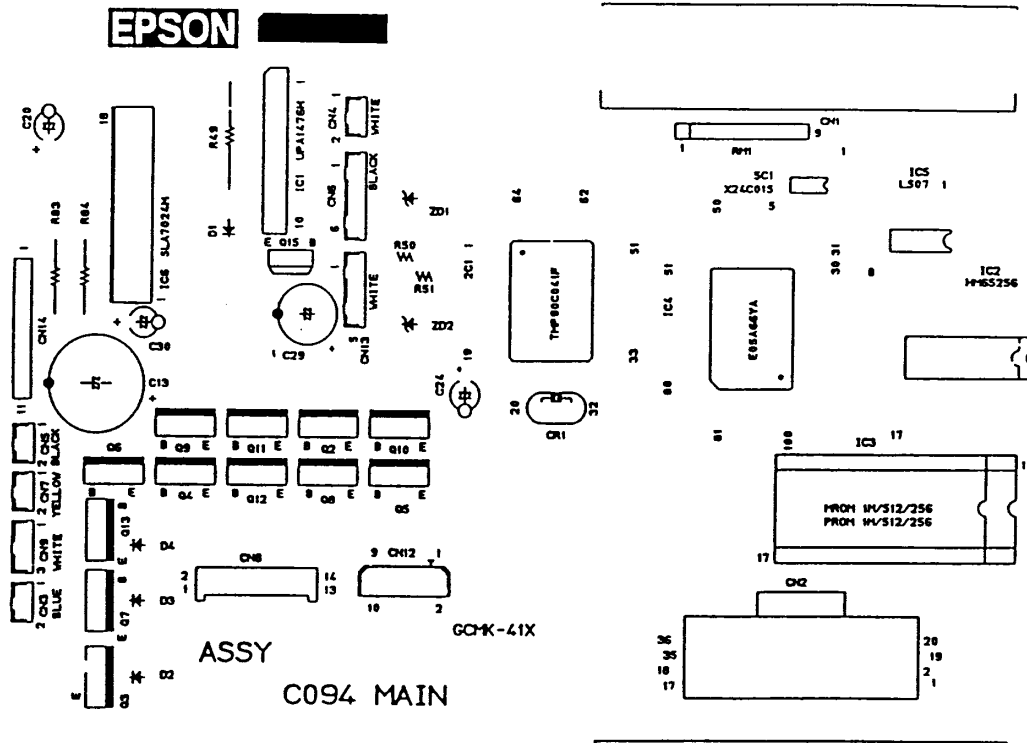
EPSON FX1170



FX1170
FIG. 2

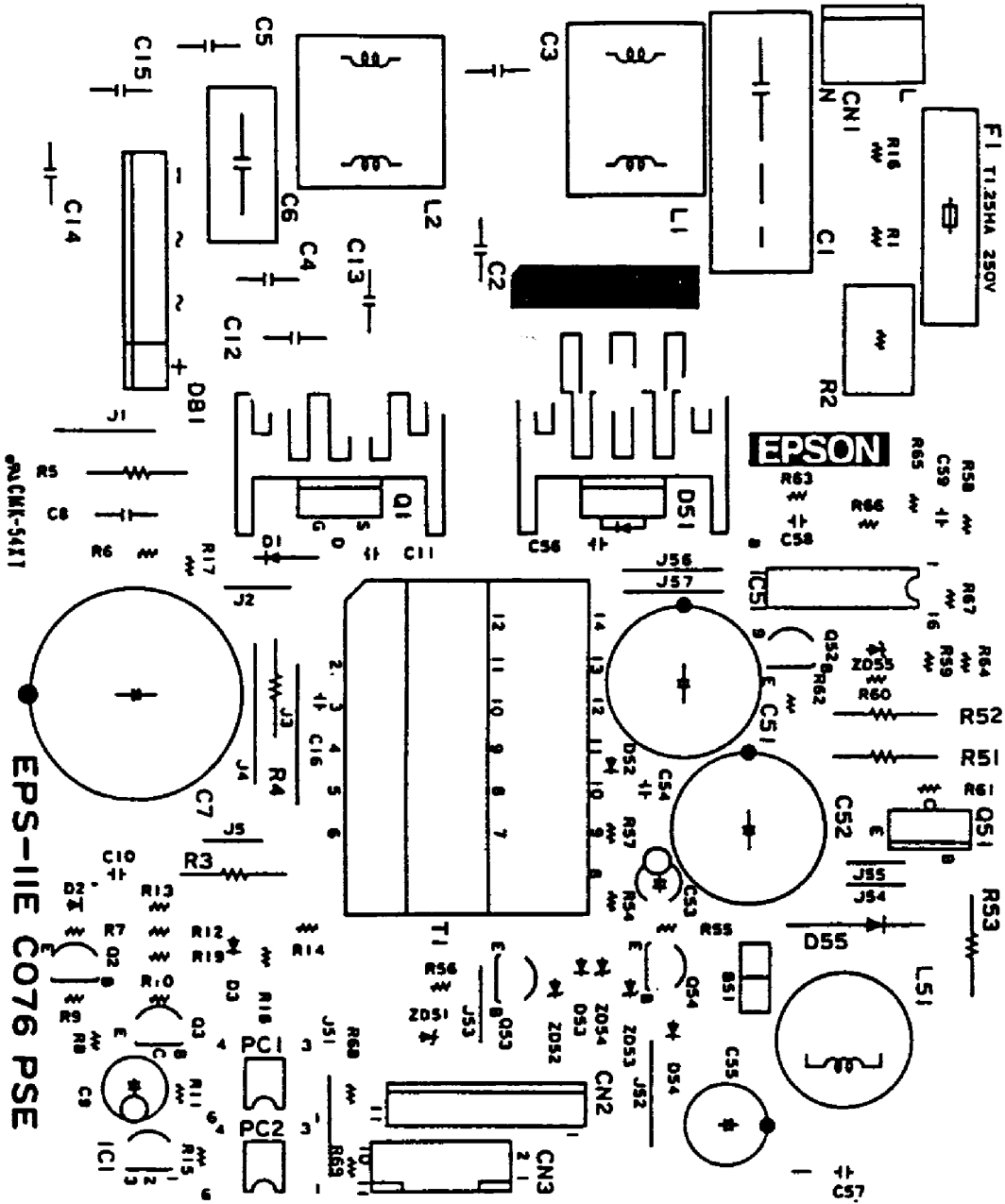
EPSON FX1170

Page 11



FX1170 MAIN BOARD
FIG. 3

EPSON FX1170

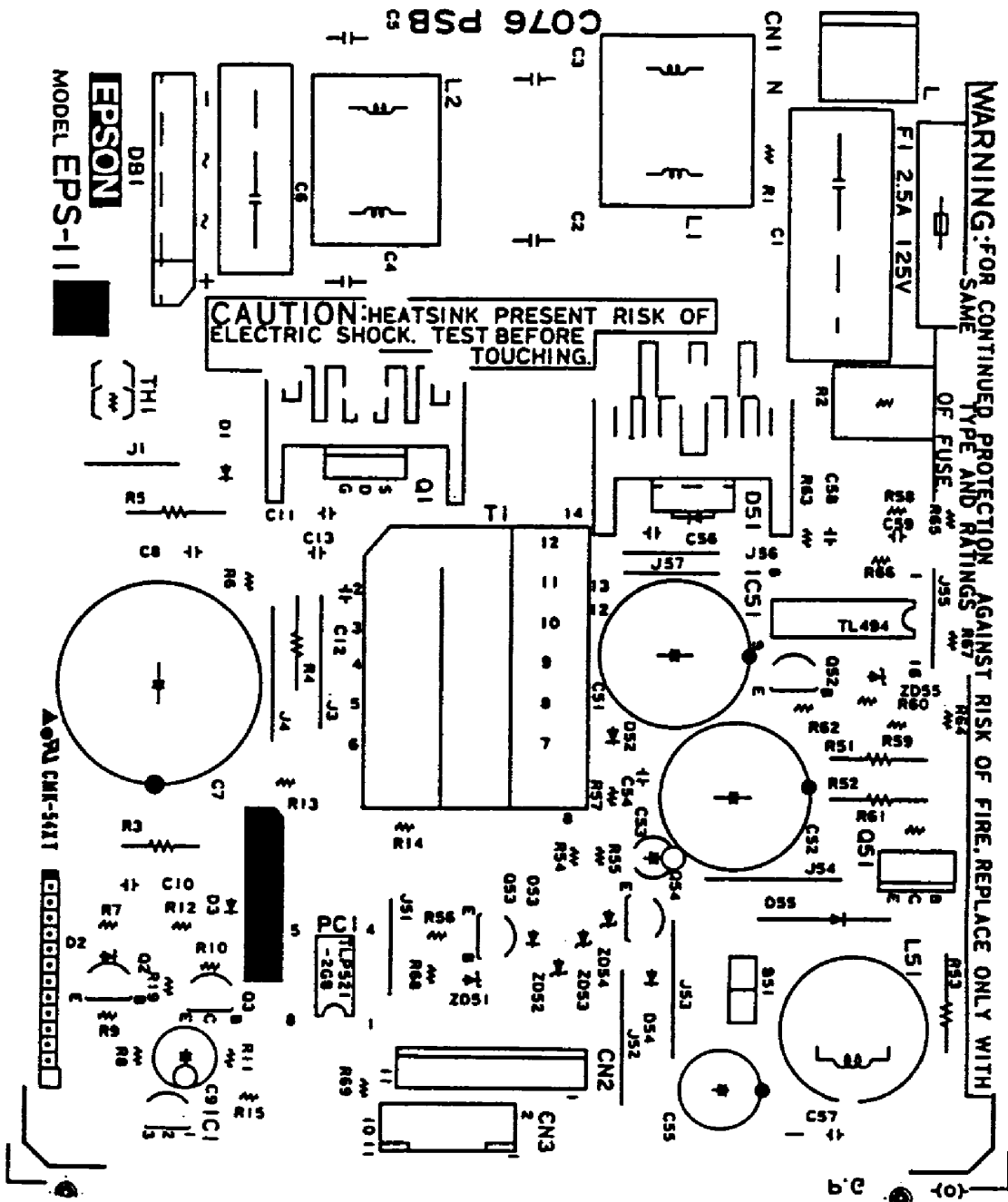


EPS-11E C076 PSE

FX1170 PSE BOARD
FIG. 4

EPSON FX1170

Page 13



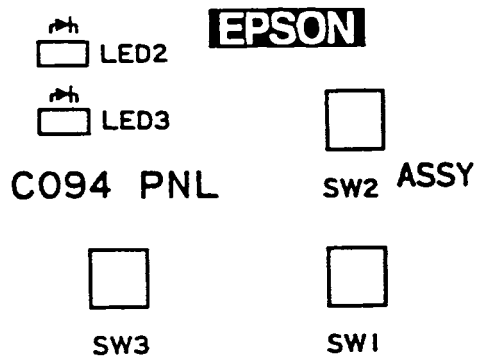
CAUTION: HEATSINK PRESENT RISK OF
ELECTRIC SHOCK. TEST BEFORE
TOUCHING.

WARNING: FOR CONTINUED PROTECTION AGAINST RISK OF FIRE, REPLACE ONLY WITH
SAME TYPE AND RATINGS OF FUSE.

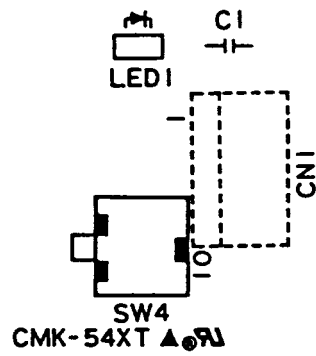
EPSON
MODEL EPS-11

FX1170 PSB BOARD
FIG. 5

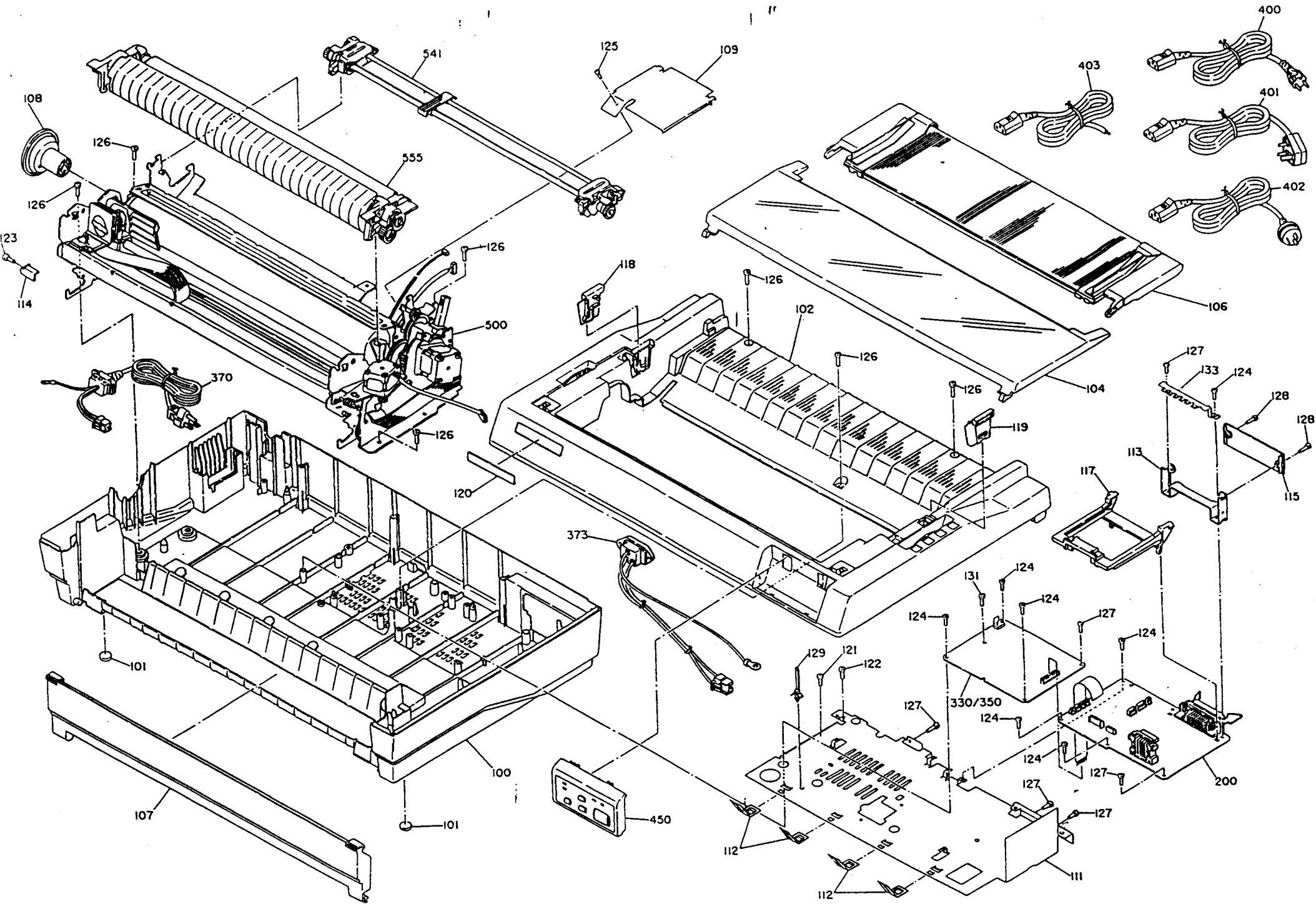
{o}



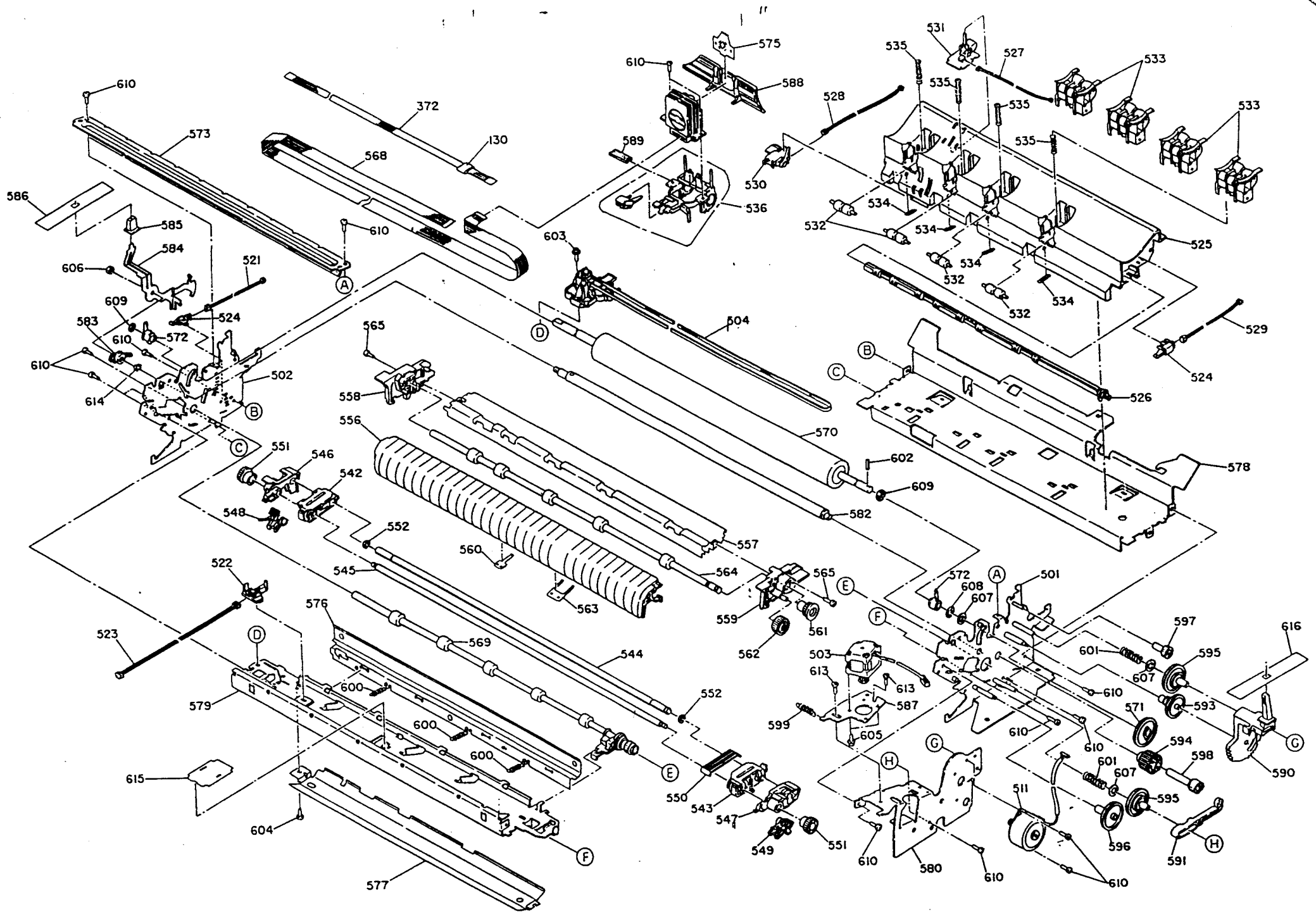
{o}



FX1170 PNL BOARD
FIG. 6



EXPLODED DIAGRAM FOR FX-1170 (I)



EXPLODED DIAGRAM FOR FX-1170 (2)