

EPSON EPL-N2050

Page 1

REF	PART NO	DESCRIPTION	SPEC	QTY
01.1.01	1051546	COVER LEFT	802E757X	1
01.1.02	1051547	COVER ASSY L/F	802K990X	1
01.1.04	1051548	COVER OPTION	802E765X	1
01.1.05	1051549	COVER ASSY TOP	802K991X	1
01.1.08	1051550	COVER RIGHT	802E759X	1
01.1.09	1051551	COVER ASSY FRONT	802K988X	1
01.1.11	1051557	LATCH ASSY	3E4920X	2
01.1.14	1051552	STOPPER COVER	3E4899X	1
01.1.16	1052003	STOPPER TRAY	3E4921X	1
01.1.17	1051553	TRAY ASSY MBF	50K3889X	1
01.1.19	1051554	COVER L/H	802E760X	1
200	2033986	BOARD ASSY.,MAIN	5589C	1
B1	2020460	EMI FILTER		1
B2	2020460	EMI FILTER		1
B3	2020460	EMI FILTER		1
B400	2025462	EMI FILTER		1
B406	2025462	EMI FILTER		1
B408	2025462	EMI FILTER		1
B409	2025462	EMI FILTER		1
B410	2025462	EMI FILTER		1
B411	2025462	EMI FILTER		1
BM1	2026111	BEADS INDUCTOR	0H,0.15A,	1
BM2	2026111	BEADS INDUCTOR	0H,0.15A,	1
C41	2001302	ALUMINIUM ELECTROLYTIC CAPACITOR	22UF 25V 20%	1
CN1	2031817	CONNECTOR	72,1.27,1.1,	1
CN10	1004142	C.P.B-TITE SCREW	M3X8	1
CN10	2007916	CONNECTOR	36 PIN	1
CN12	2031930	CONNECTOR	168,1.27MM,	1
CN13	2027424	CONNECTOR TX24-50R-12ST-N1		1
CN2	2023528	CONNECTOR	72,	1
CN3	2023528	CONNECTOR	72,	1
CN4	2032477	CONNECTOR	4,3.96MM,	1
CN400	2030841	CONNECTOR	8,1.02MM,	1
CN5	2033012	CONNECTOR	80,1.27MM,	1
CN6	2013284	CONNECTOR 57RE-40360-830B(D7B)	36,	1
CN7	2003713	HARNESS		1
CN8	2027979	CONNECTOR		1
CN9	2032478	CONNECTOR	26,2.54MM,	1
CRU1	2032475	QUARTZ OSCILLATOR	35.25451MHZ	1
CRU2	2032796	QUARTZ OSCILLATOR	14.31818	1
CRU401	2027469	QUARTZ OSCILLATOR		1
FL1	2023680	EMI FILTER		1
FL401	2027102	FMI FILTER		1
FLS1	2006229	EMI FILTER		1
IC1	X422400089	TTL ICSN74ASO8NS-EL		1
IC10	2003700	RESET IC	8 PIN	1
IC11	2032285	ASIC	OTHERS,352,	1
IC12	X422350069	TTL-IC SN74LS06NS-TPL		1
IC13	2032982	TTL IC	SOP,48,	1
IC14	2028762	IC	SOP,16	1
IC15	2032473	SDRAM	OTHER,,,54	1
IC16	2032473	SDRAM	OTHER,,,54	1
IC17	2028761	IC	SOP,56	1
IC18	2028761	IC	SOP,56	1
IC19	X422350749	TTL-IC		1
IC2	X422551399	TTL-IC		1
IC20	2002108	TTL IC		1
IC21	X422350149	TTL-IC	HEX SCTR.G.INV.	1
IC3	2033429	MASK ROM		1
IC4	2033430	MASK ROM		1
IC401	2026974	NETWORK CONTRORE DL10019C		1
IC402	2031631	SRAM	SOP,256KBIT,15N S,28	1
IC403	2032392	NET WORK TRANSCEIVER	QFP,64	1
IC404	2031631	SRAM	SOP,256KBIT,15N S,28	1
IC405	2033013	EEPROM	DIP,,,8	1
IC405	X630110830	IC SOCKET	8PIN	1
IC450	X422551399	TTL-IC		1
IC5	2027938	MICRO CONTROLLER	QFP,120	1
IC6	2027646	TTL IC		1

EPSON

EPL-N2050

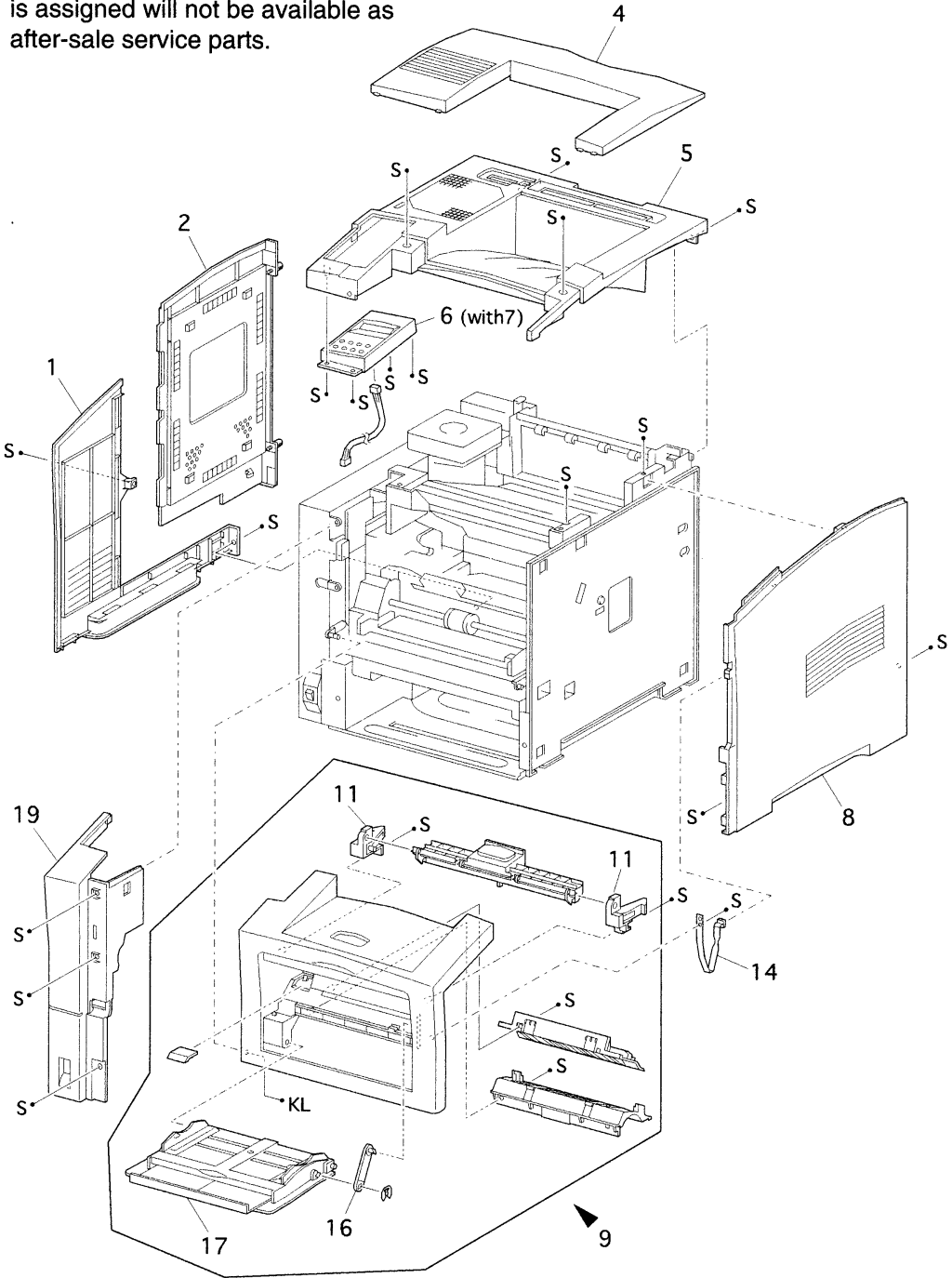
Page 2

REF	PART NO	DESCRIPTION	SPEC	QTY
IC7	2031755	CLOCK GENERATOR		1
IC8	2023714	TTL IC		1
IC9	2032474	EEP-ROM	OTHER,128KBIT.,16	1
LED401	2027416	LED PG1112H-TR		1
LED402	2028061	LED AA1112H-TR		1
T400	2032908	TRANSFORMER		1
01.2.01	1052005	SPRING LATCH	809E1130X	2
01.2.02	1052006	LATCH	3E4923X	1
01.2.03	1052007	LATCH R	3E4922X	1
01.2.07	1052008	CAP ENVELOPE	21E9683X	2
01.2.10	1051555	STOPPER	3E4612X	1
01.2.99	1052004	COVER ASSY REAR		1
01.3.16	1051555	STOPPER	3E4612X	1
02.1.01	1052009	CASSETTE ASSY	50K3894X	1
02.1.05	1052010	GUIDE ASSY END	600K8378X	1
02.1.99	1051556	KIT ROLL FEED	600K7955X	1
02.2.17	1052011	LEVER	11E858X	1
02.2.22	2033696	MOTOR ASSY	127K2468X	1
02.2.30	1052012	INDICATOR	123E9103X	1
03.1.01	2033499	ROLL ASSY TURN	22K5153X	1
03.1.02	2033437	CLUCH ASSY TURN	121K2015X	1
03.1.13	2021773	E.R.M. SENSOR		1
03.1.14	2033697	HARNESS ASSY N/SNSR	162K4703X	1
03.1.19	1051562	FEEDER	600K7932X	1
03.1.36	2033698	PWBA FEEDER	160K5278X	1
03.1.37	2033438	CLUCH ASSY FEED	121K1901X	1
03.1.39	2033699	HARNESS ASSY N/MOT	162K4724X	1
03.1.97	1052019	KIT ACTUATOR&SUPPORT	600K8385X	1
03.1.99	1051556	KIT ROLL FEED	600K7955X	1
04.1.01	2033465	¼-° MBF ASSY	54K1363X	1
04.1.02	1051644	Û°ÛASSY MBF	22K5150X	1
04.1.12	1052017	ACTUATOR N/P MBF	120E1712X	1
04.1.19	2021773	E.R.M. SENSOR		1
04.1.23	2033466	SOLENOID PICK UP	121E8592X	1
04.1.30	2033467	PLATE ENV ASSY	15K3582X	1
04.1.99	1051645	PAD PICK UP ASSY	19K9683X	1
05.1.04	2033468	P/H ASSY	54K1498X	1
05.1.10	1052018	ACTUATOR REGI	120E1333X	1
05.1.11	1052032	SPRING SENSOR REGI	809E1972X	1
05.1.12	2021773	E.R.M. SENSOR		1
05.1.19	1051646	CLUTCH REGI	121E8582X	1
05.1.28	2033725	HARNESS ASSY REGI	162K4701X	1
05.1.99	2033469	KIT TONER SENSOR	600K7938X	1
06.1.01	2033470	BTR ¼-° ASSY	54K1369X	1
06.1.02	1051647	BTR ASSY	22K5501X	1
06.1.07	2033472	FUSER ASSY 230V	126K1014X	1
06.1.12	2033474	HARNESS ASSY FUSER-M 230V	162K5186X	1
06.1.99	2033476	USAGE KIT 230V	673K6014X	1
07.1.01	1052033	ELIMINATOR EXIT	105K1490X	1
07.1.02	1052034	ACTUATOR FULL STACK	120E1335X	1
07.1.03	1052035	GATE EXIT	50E8857X	1
07.1.04	1052036	SPRING EXIT	809E1747X	1
07.1.16	2021773	E.R.M. SENSOR		1
07.1.17	2033726	HARNESS ASSY FS SNR	162K4698X	1
07.1.21	2033477	MOTOR ASSY EXIT	127K2411X	1
08.1.07	2033727	HARNESS ASSY ROS	162K4692X	1
08.1.09	2033478	ROS ASSY	62K960X	1
08.1.14	2033479	MOTOR ASSY MAIN(S)	127K2779X	1
08.1.99	2033481	KIT SENSOR CRU	32K9414X	1
09.1.07	2033482	FAN ASSY	127K2477X	1
09.1.13	2033728	HARNESS ASSY FEEDER	162K4700X	1
09.1.19	2033483	PWBA SIZE1	160K5277X	1
09.1.99	1052037	KIT SIZE ACTUATOR	600K8381X	1
09.2.20	2033729	HARNESS ASSY SIZE M	162K4842X	1
10.1.01	2033730	HARNESS ASSY ESS	162K4720X	1
10.1.04	2033731	HARNESS ASSY OCT-M	162K4927X	1
10.1.06	2013600	POWER CORD 240V		1
10.1.06	2029165	POWER CABLE		1

EPSON EPL-N2050

Page 4

The parts to which no reference number is assigned will not be available as after-sale service parts.



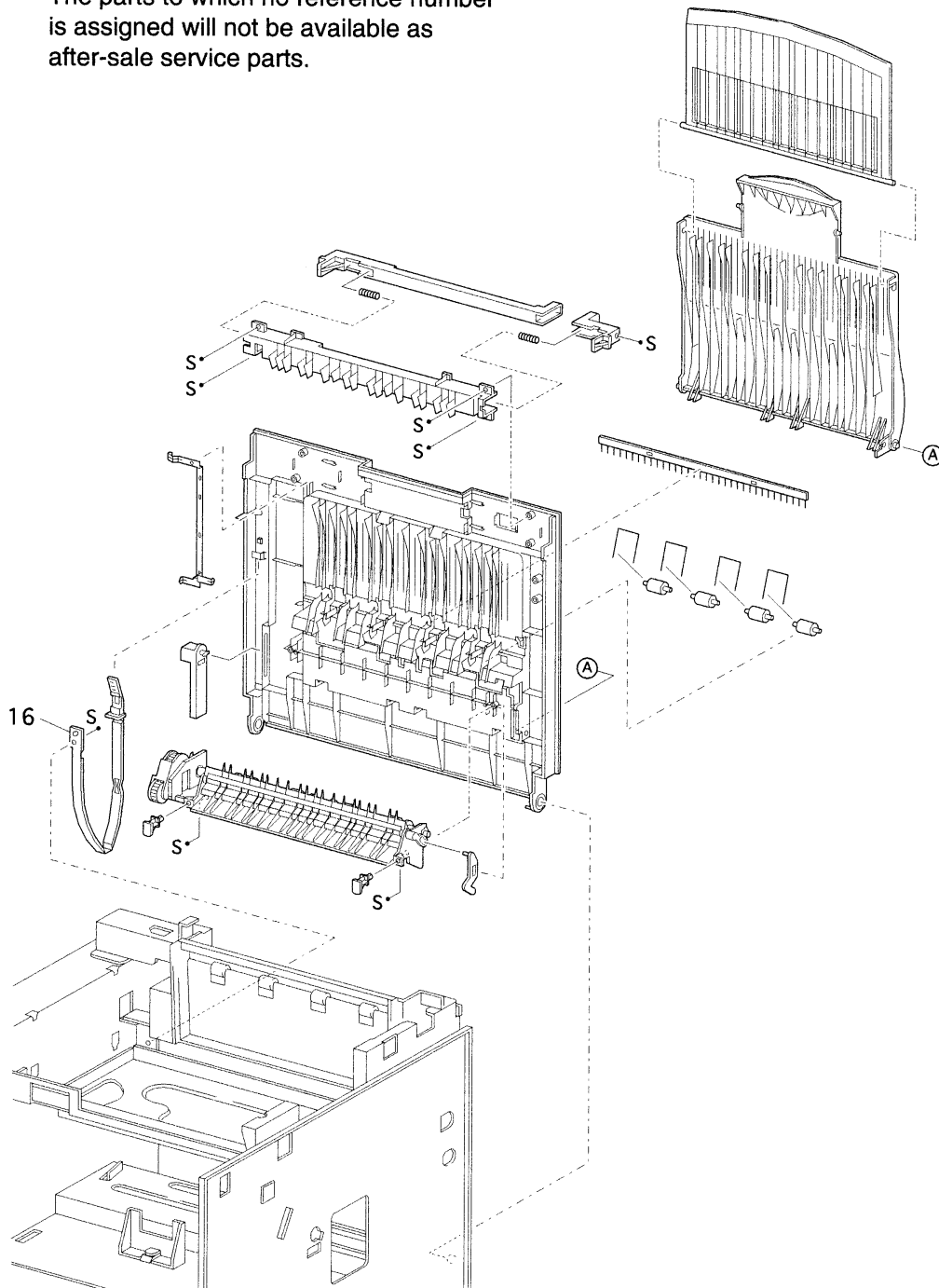
EPL-N2050 (1.1)
10166 Rev.01

HKC001FC

EPSON EPL-N2050

Page 6

The parts to which no reference number is assigned will not be available as after-sale service parts.



EPL-N2050 (1.3)
10166 Rev.01

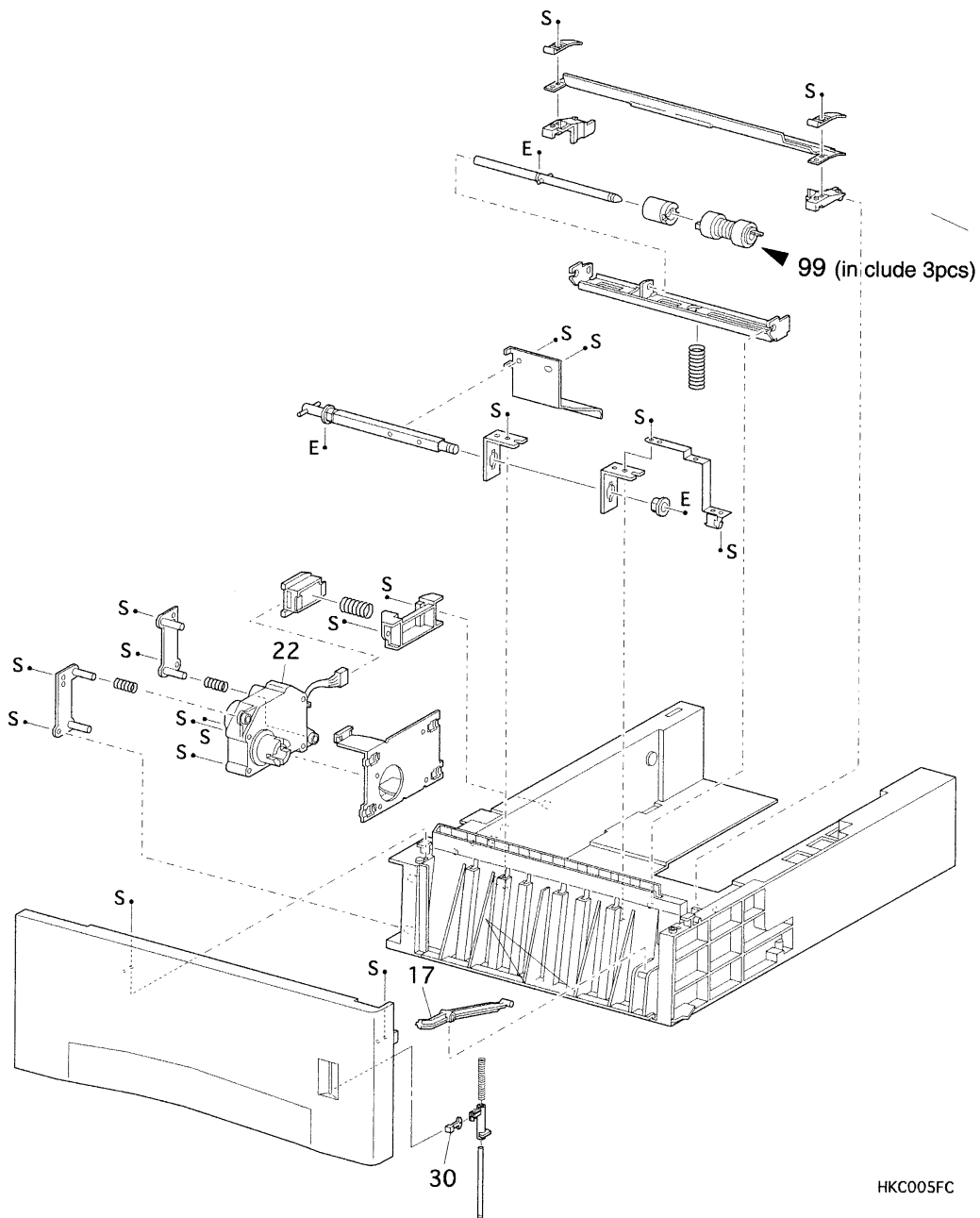
HKC003FC

EPSON

EPL-N2050

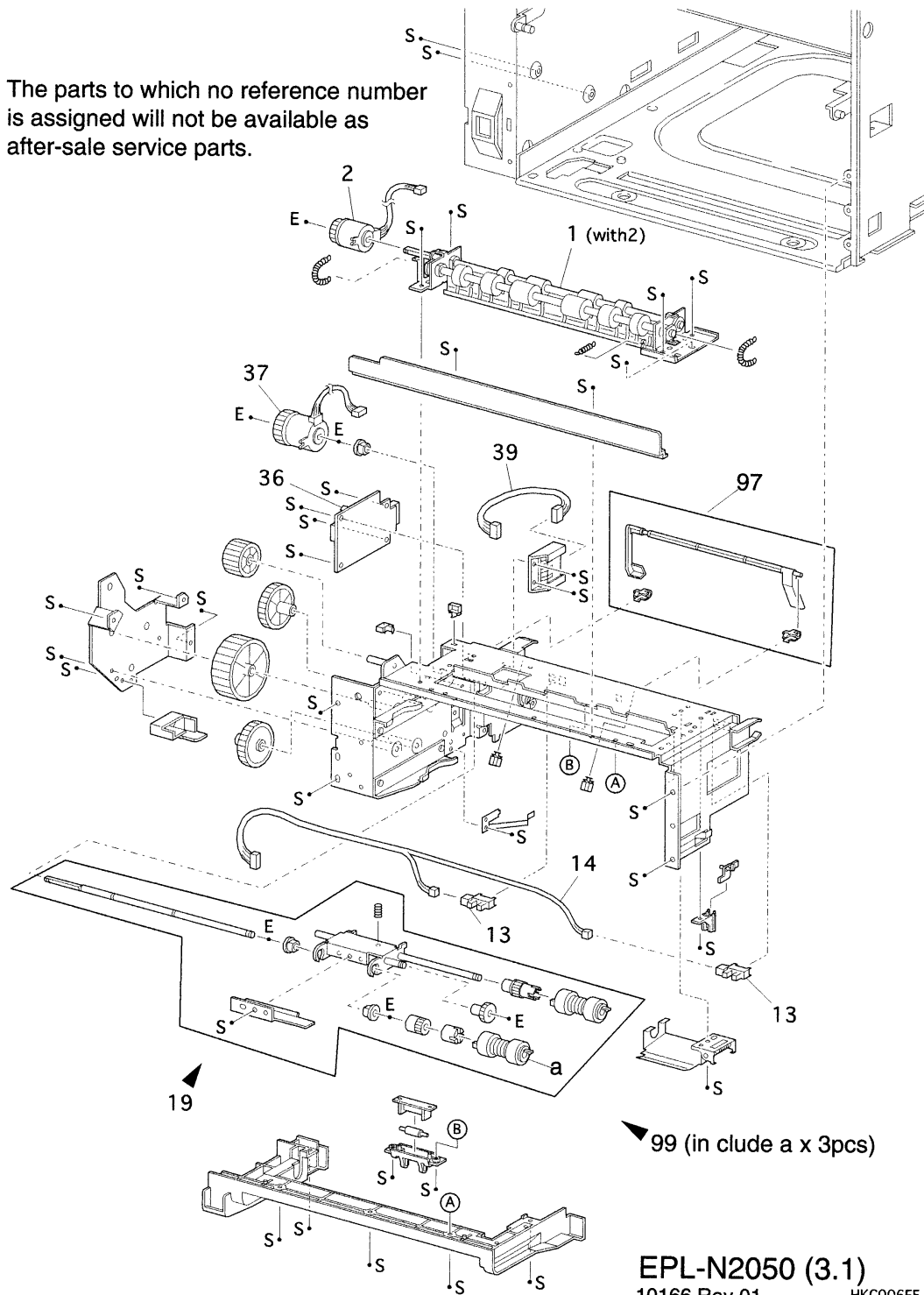
Page 8

The parts to which no reference number is assigned will not be available as after-sale service parts.



EPL-N2050 (2.2)
10166 Rev.01

The parts to which no reference number is assigned will not be available as after-sale service parts.

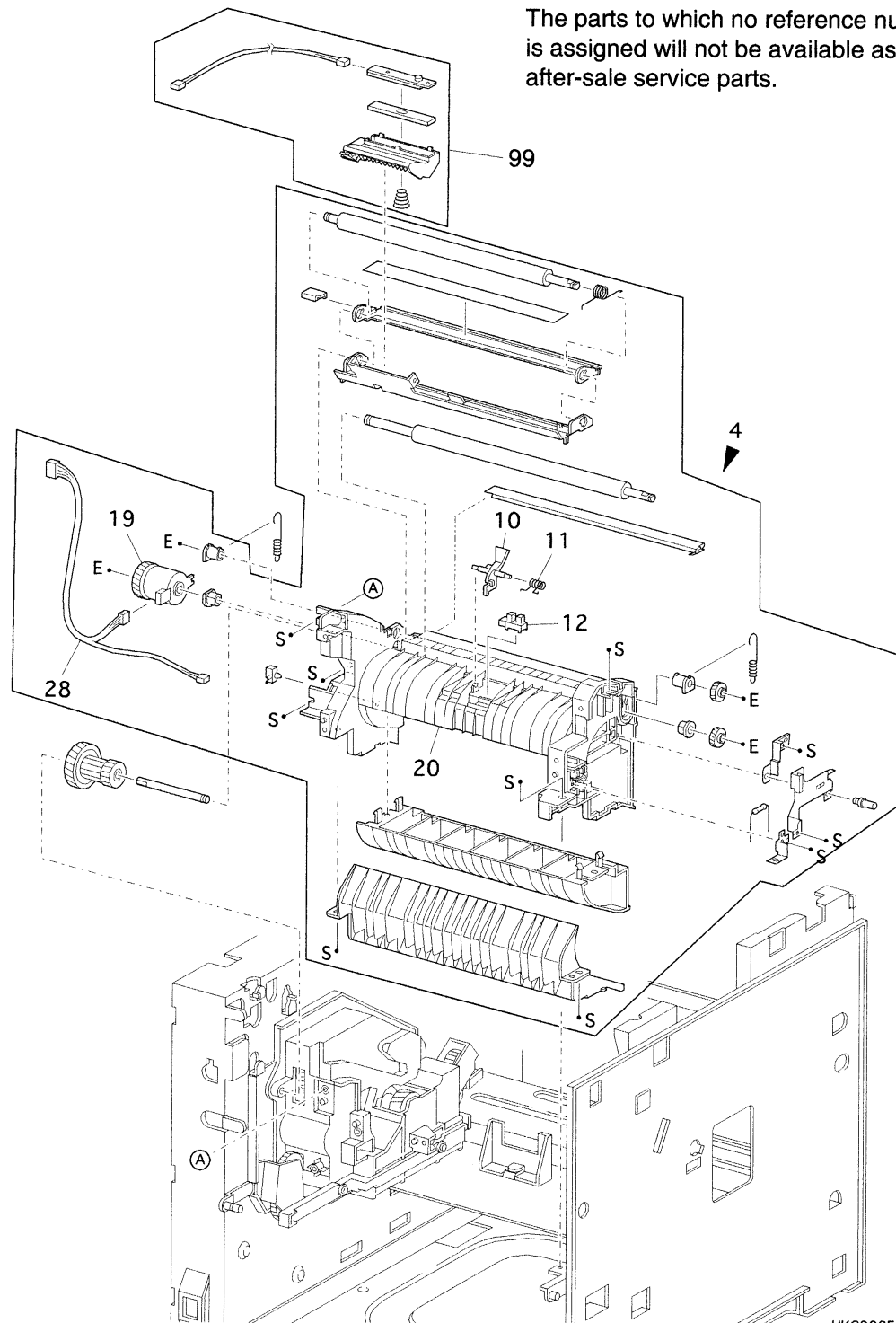


EPL-N2050 (3.1)

10166 Rev.01

HKC006FE

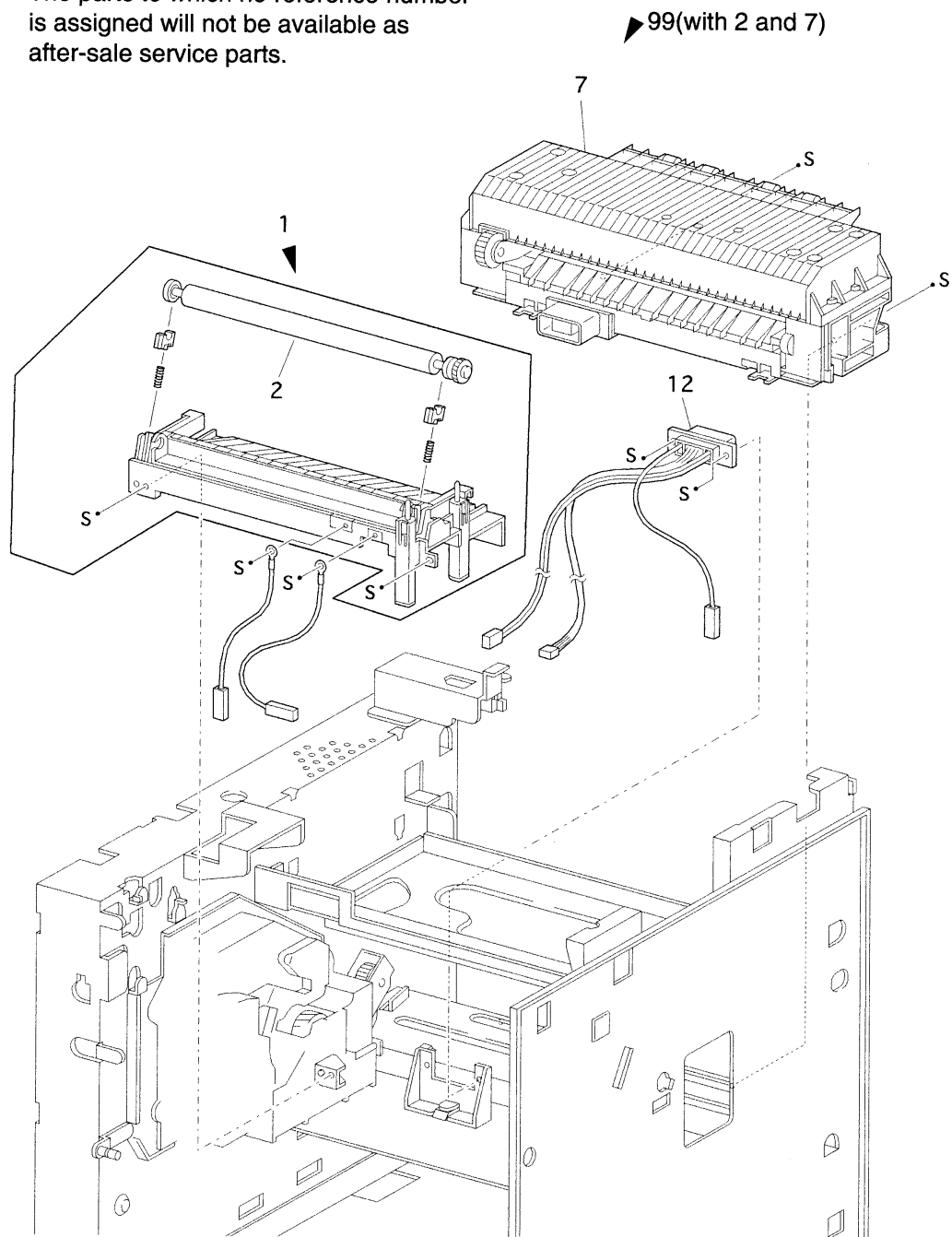
The parts to which no reference number is assigned will not be available as after-sale service parts.



EPSON EPL-N2050

Page 12

The parts to which no reference number is assigned will not be available as after-sale service parts.



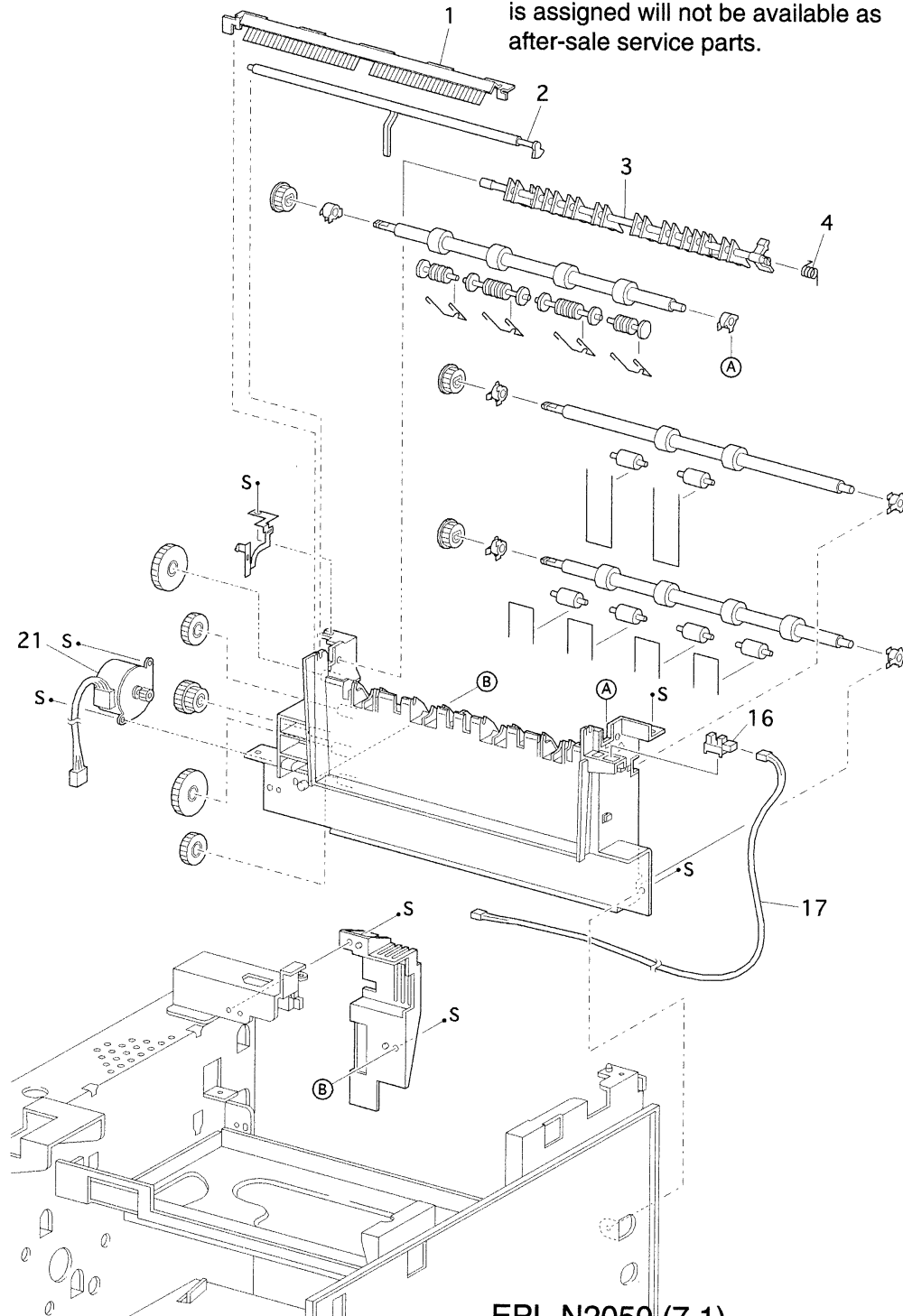
HKC009FB

EPL-N2050 (6.1)
10166 Rev.01

EPSON EPL-N2050

Page 13

The parts to which no reference number is assigned will not be available as after-sale service parts.



EPL-N2050 (7.1)
10166 Rev.01

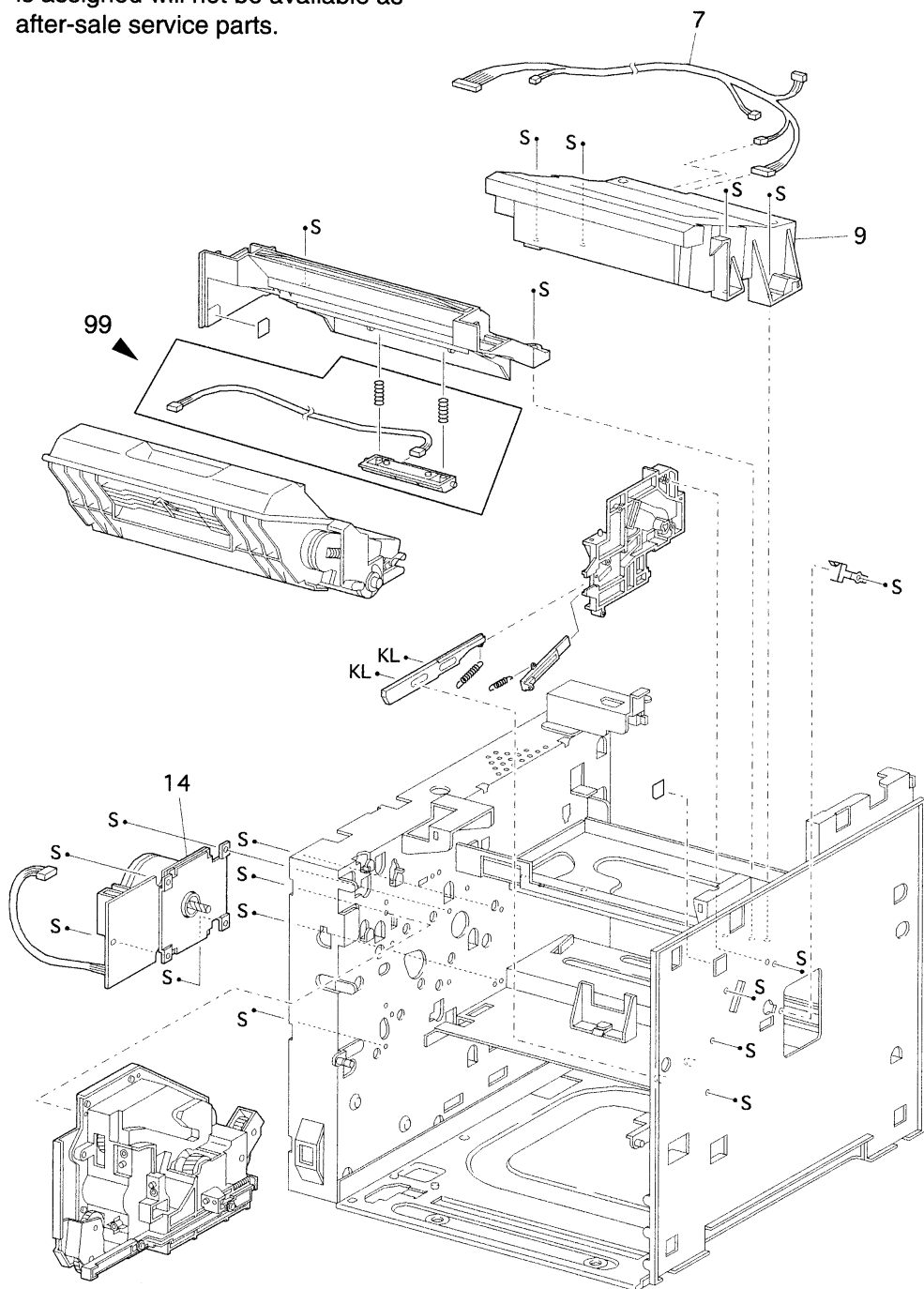
HKC010FB

EPSON

EPL-N2050

Page 14

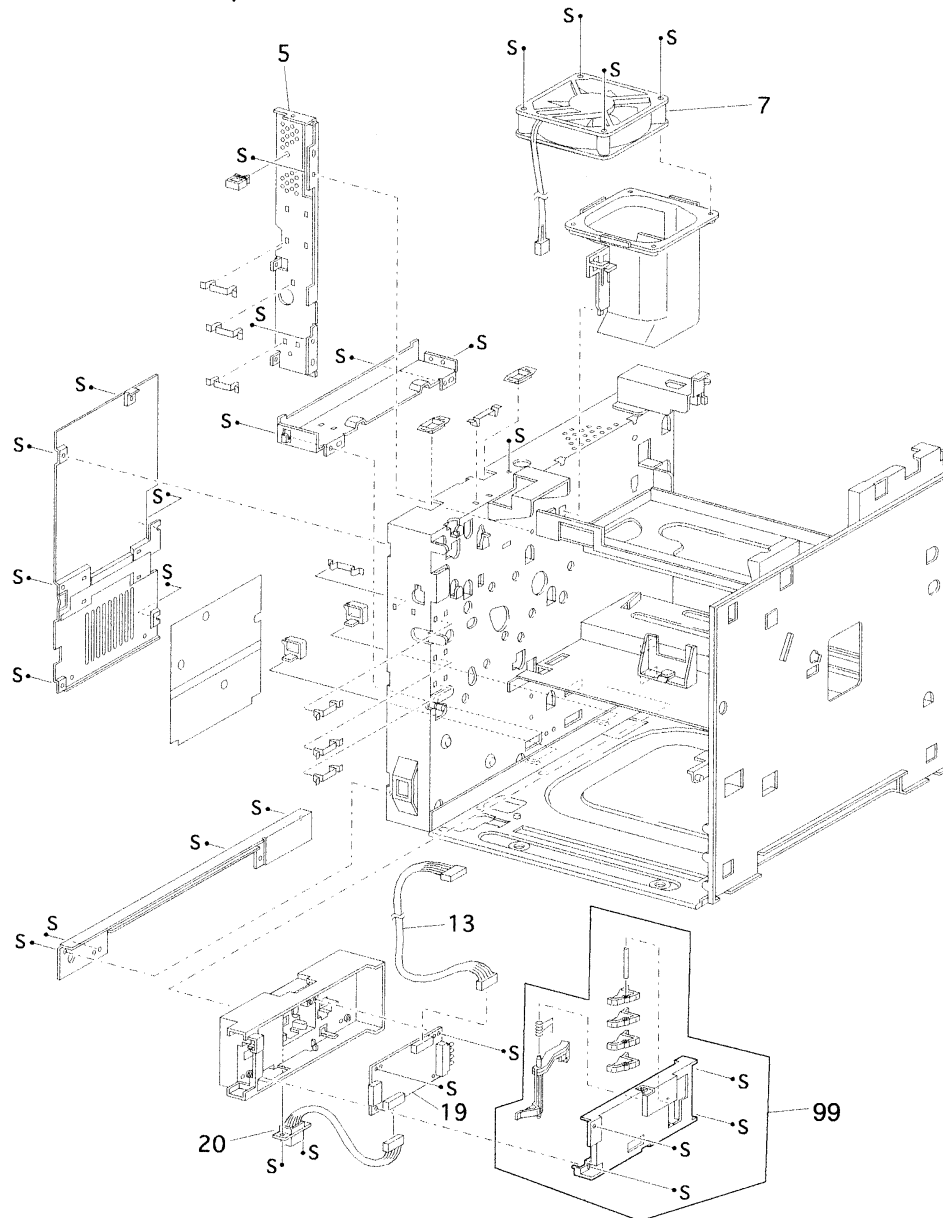
The parts to which no reference number is assigned will not be available as after-sale service parts.



EPL-N2050 (8.1)
10166 Rev.01

HKC011FF

The parts to which no reference number is assigned will not be available as after-sale service parts.



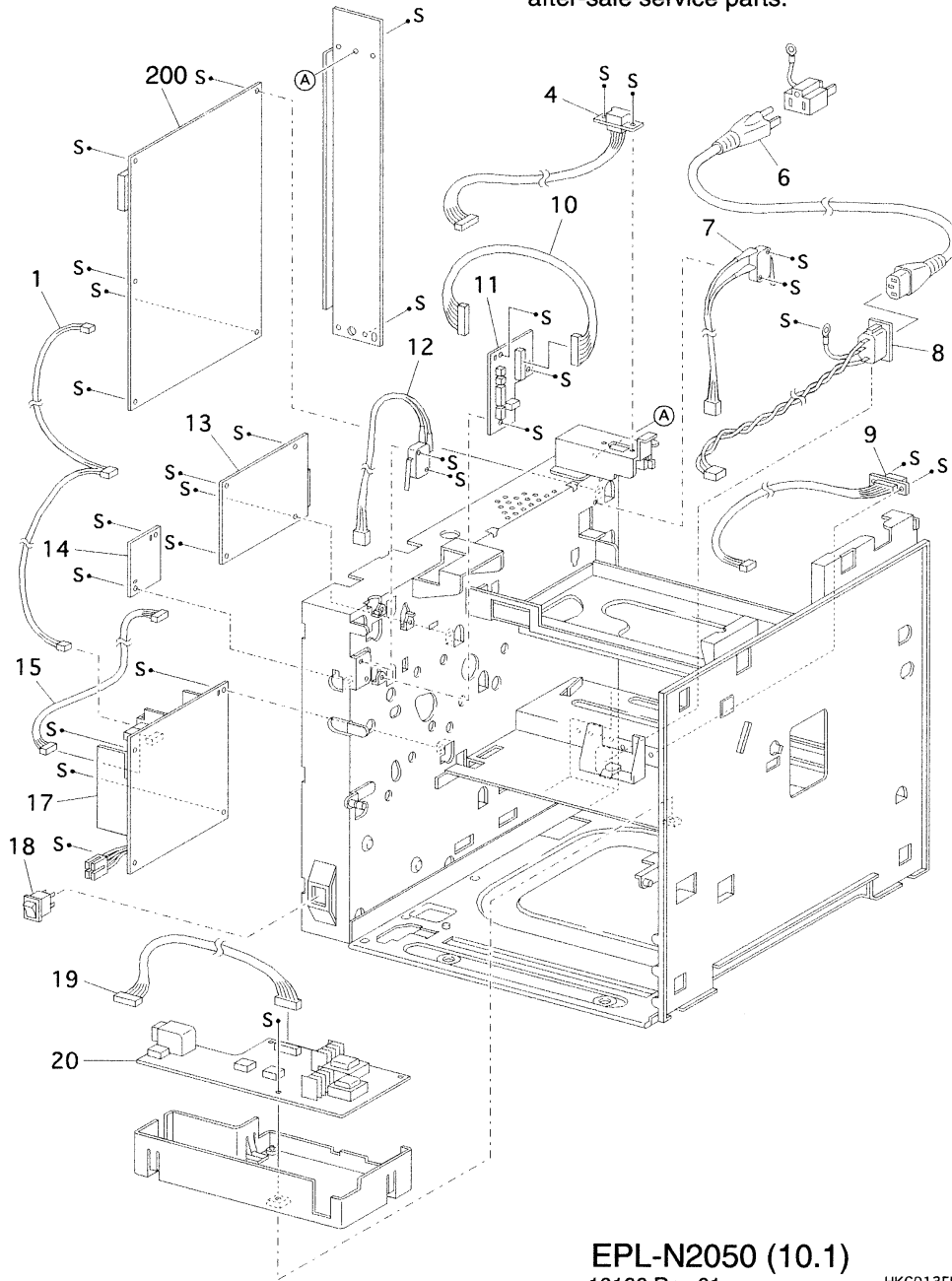
EPL-N2050 (9.1)
10166 Rev.01

HKC012FC

EPSON EPL-N2050

Page 16

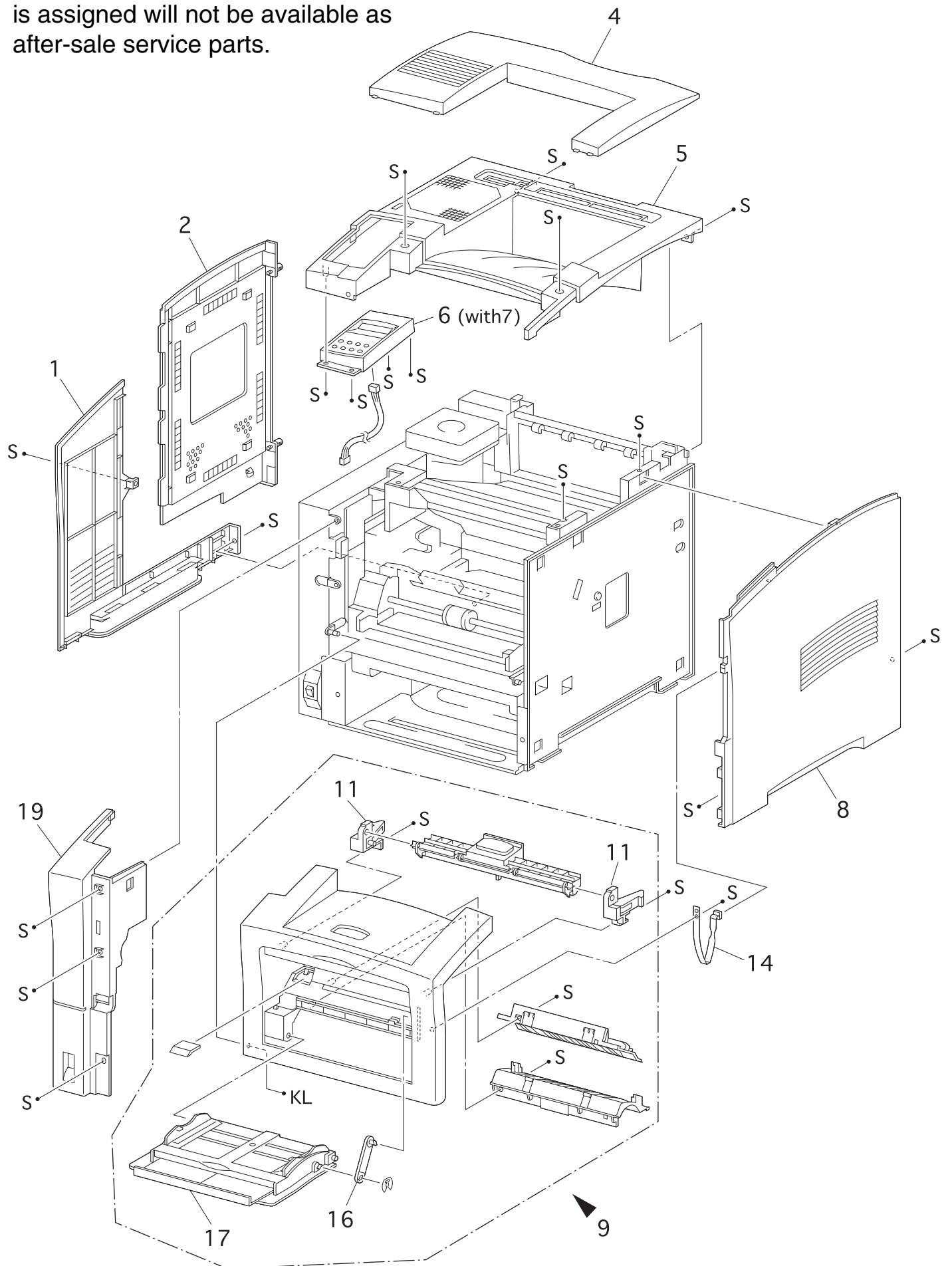
The parts to which no reference number is assigned will not be available as after-sale service parts.



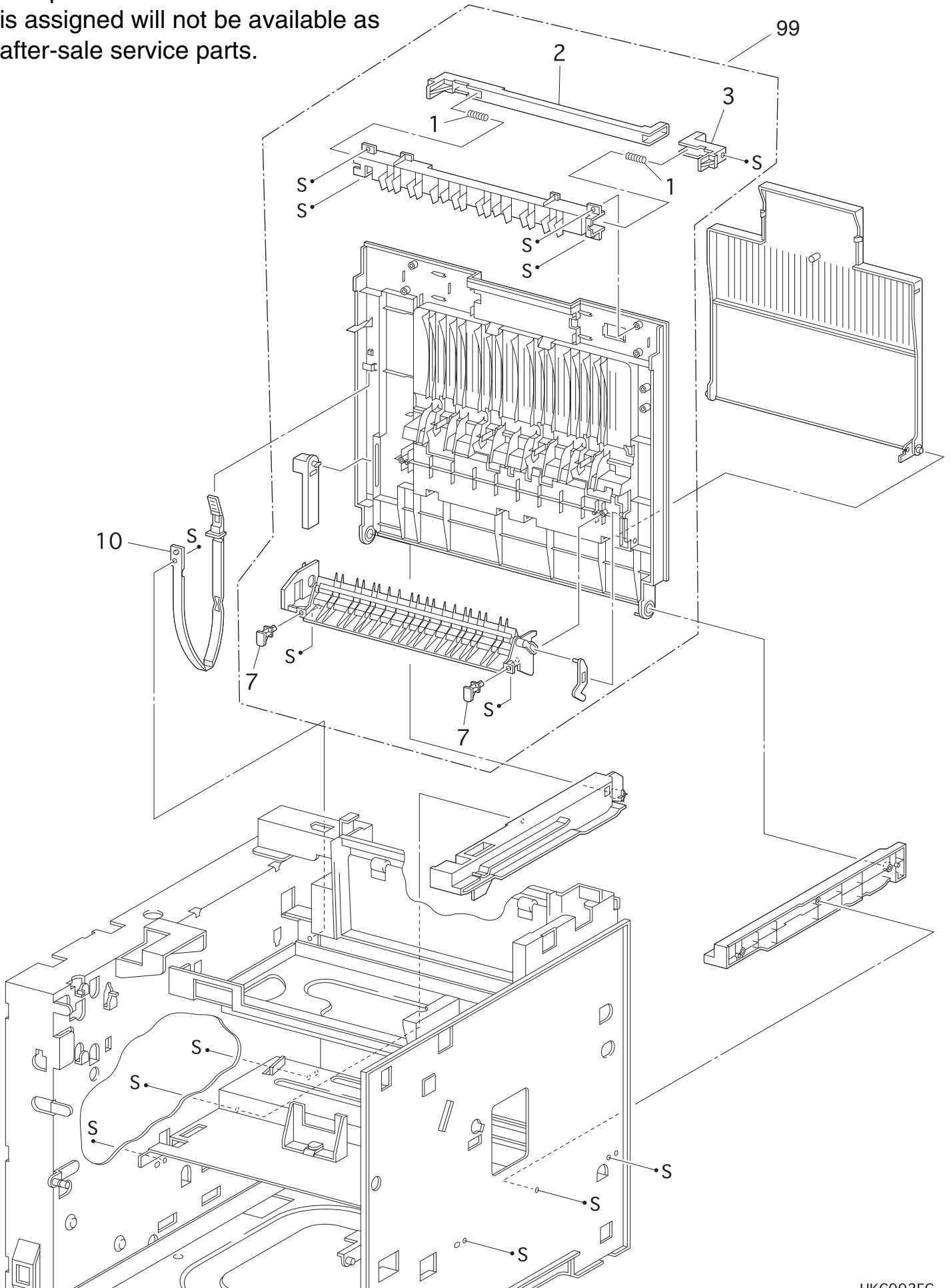
EPL-N2050 (10.1)
10166 Rev.01

HKC013FD

The parts to which no reference number is assigned will not be available as after-sale service parts.



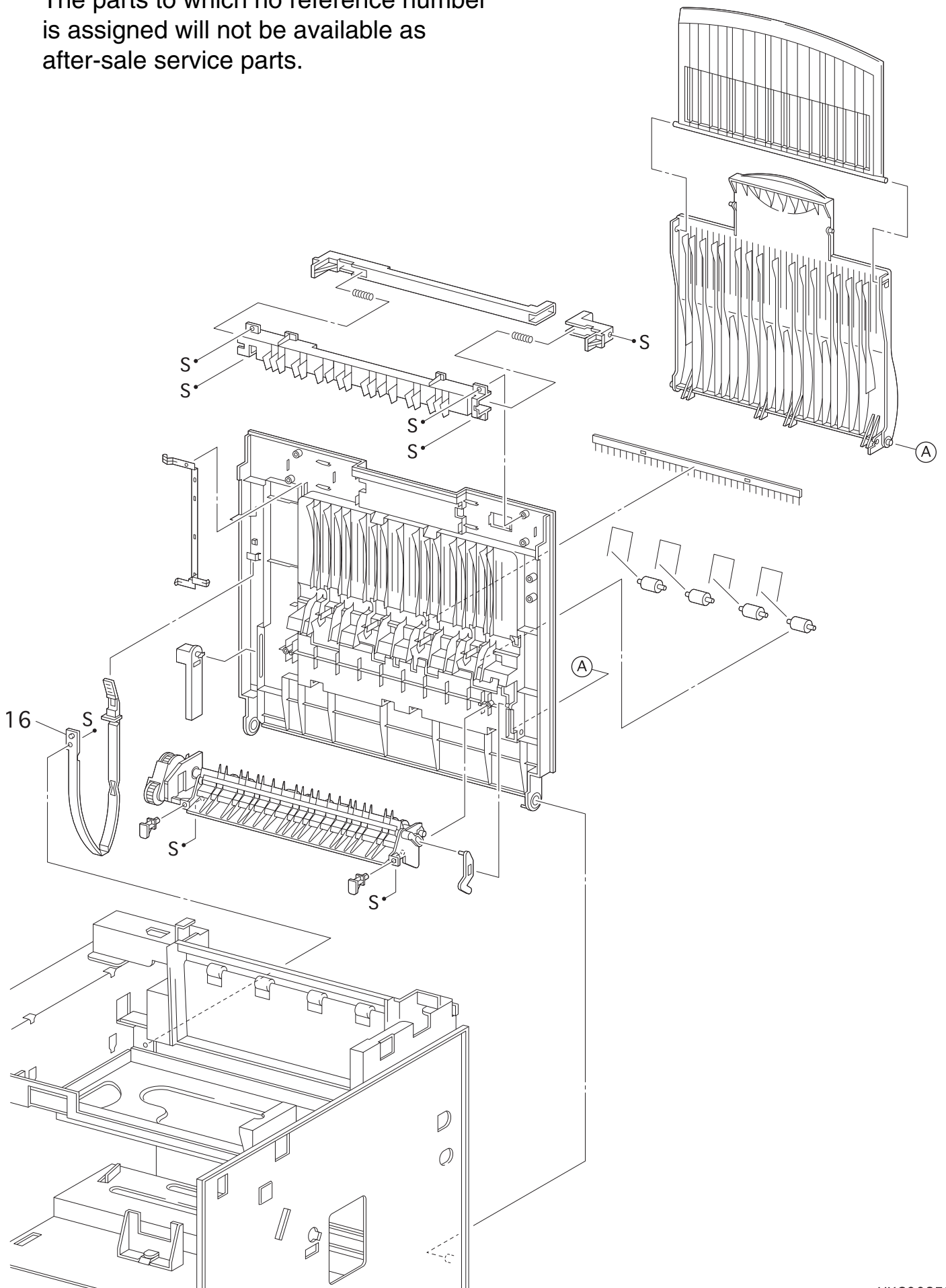
The parts to which no reference number is assigned will not be available as after-sale service parts.



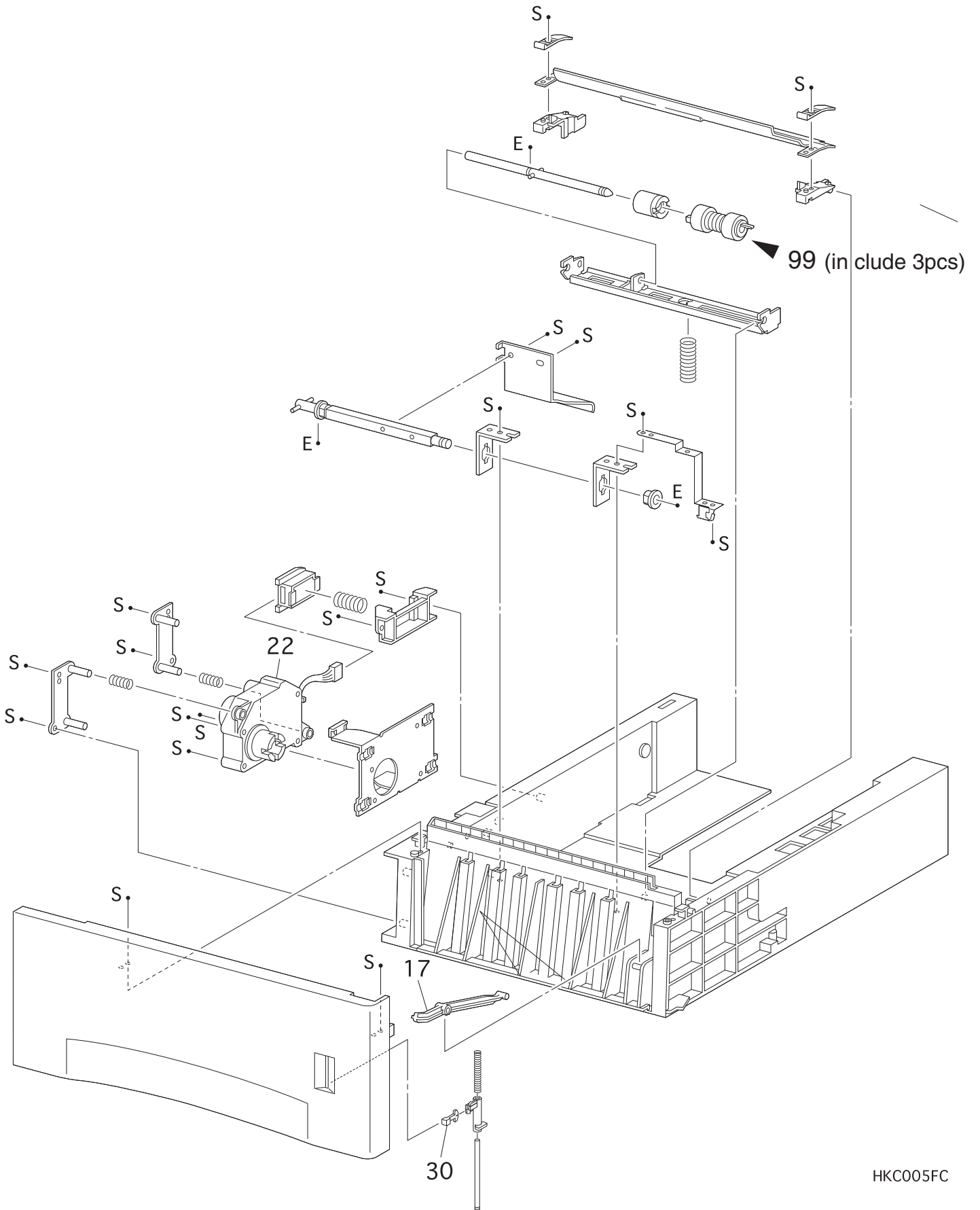
EPL-N2050 (1.2)
10166 Rev.01

HKC002FC

The parts to which no reference number is assigned will not be available as after-sale service parts.



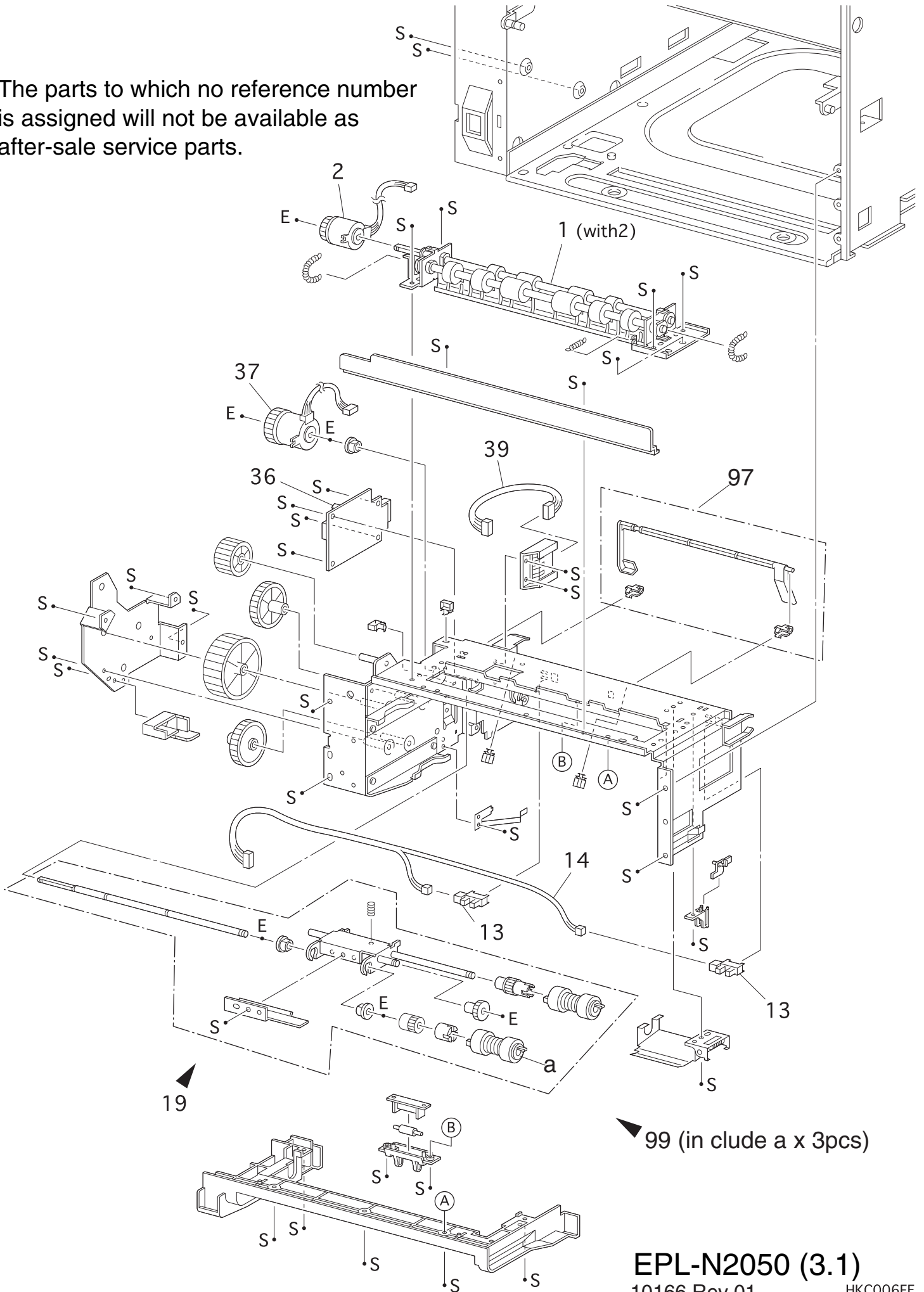
The parts to which no reference number is assigned will not be available as after-sale service parts.



HKC005FC

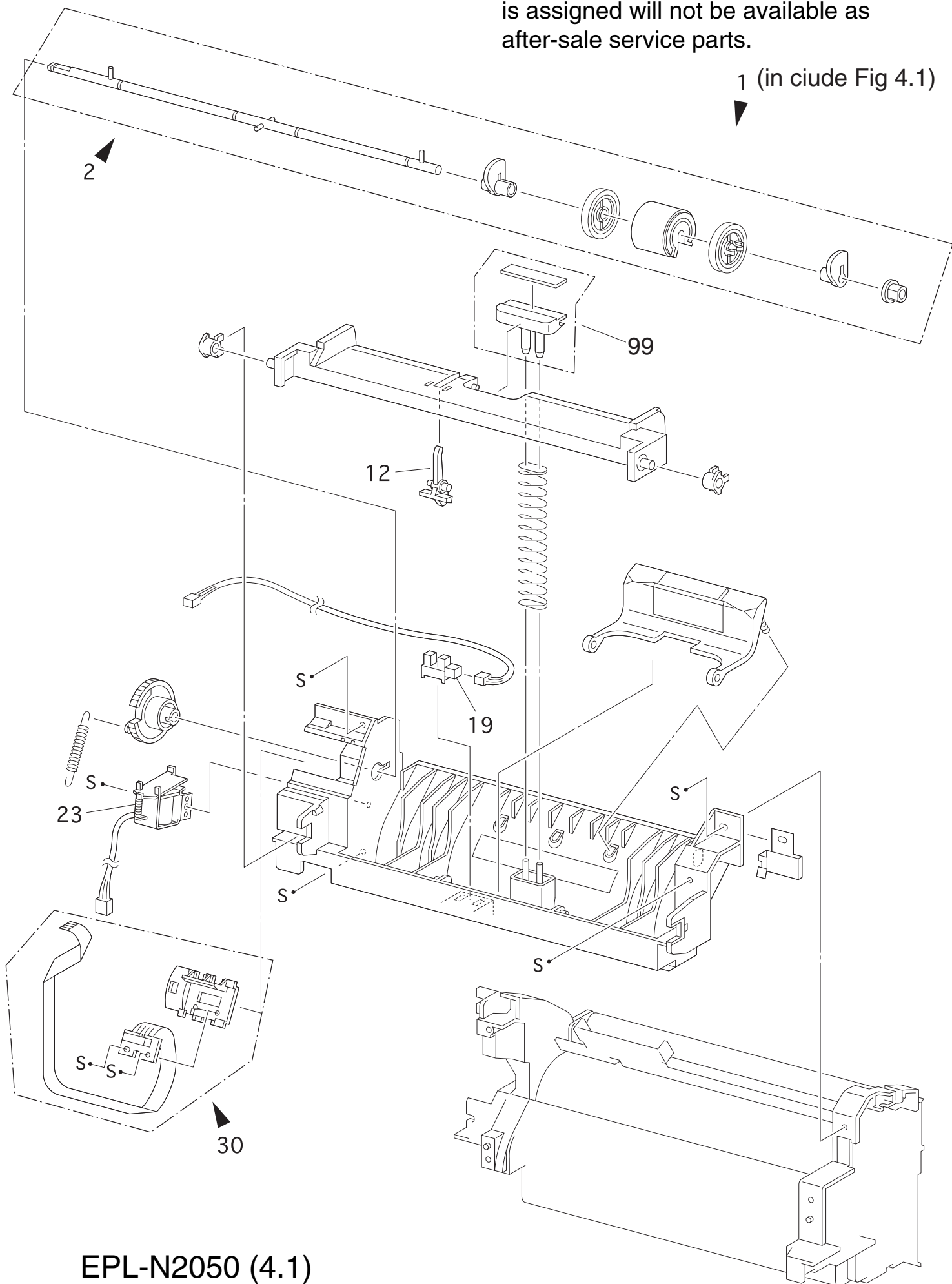
EPL-N2050 (2.2)
10166 Rev.01

The parts to which no reference number is assigned will not be available as after-sale service parts.



99 (in clude a x 3pcs)

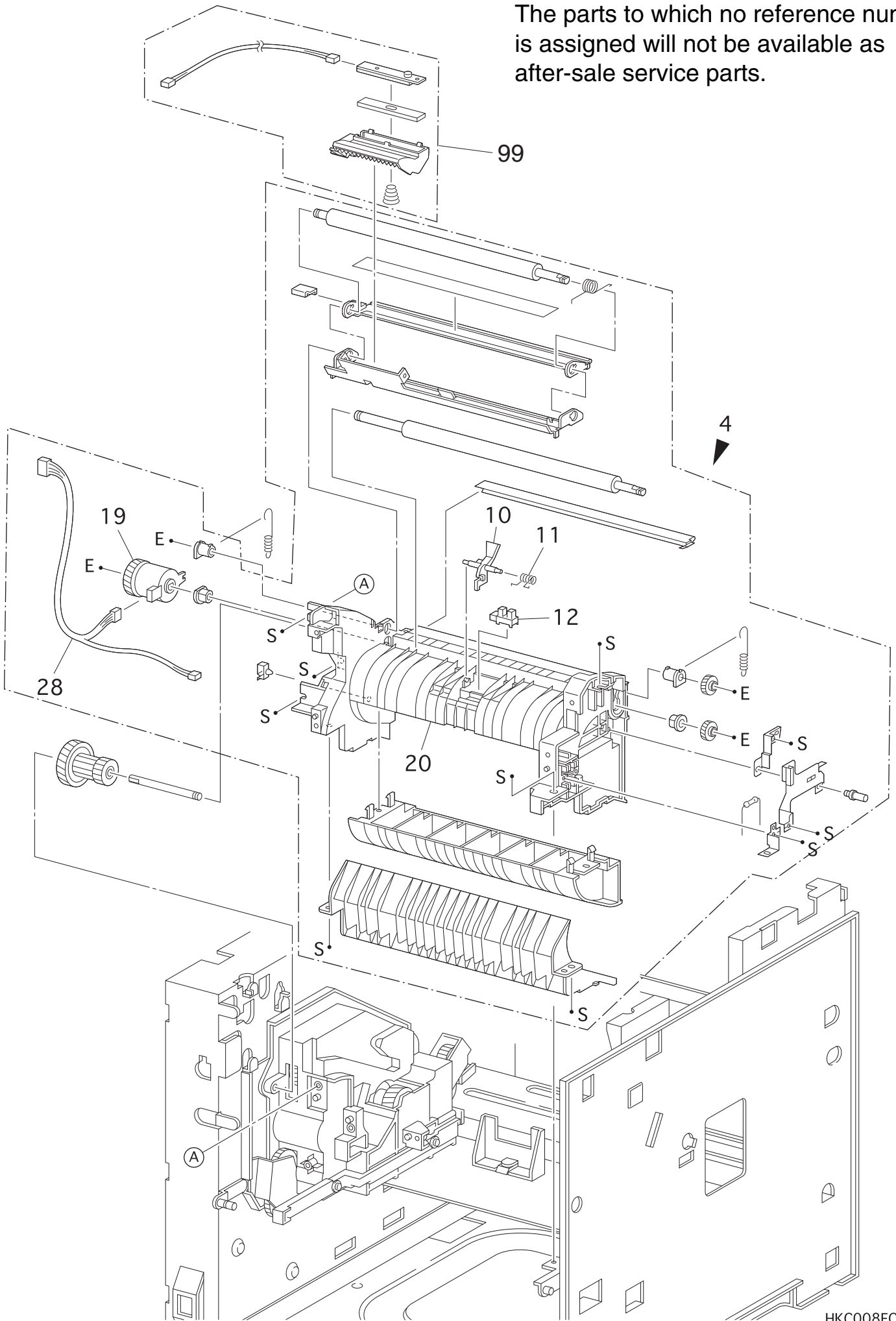
The parts to which no reference number is assigned will not be available as after-sale service parts.



EPL-N2050 (4.1)
10166 Rev.01

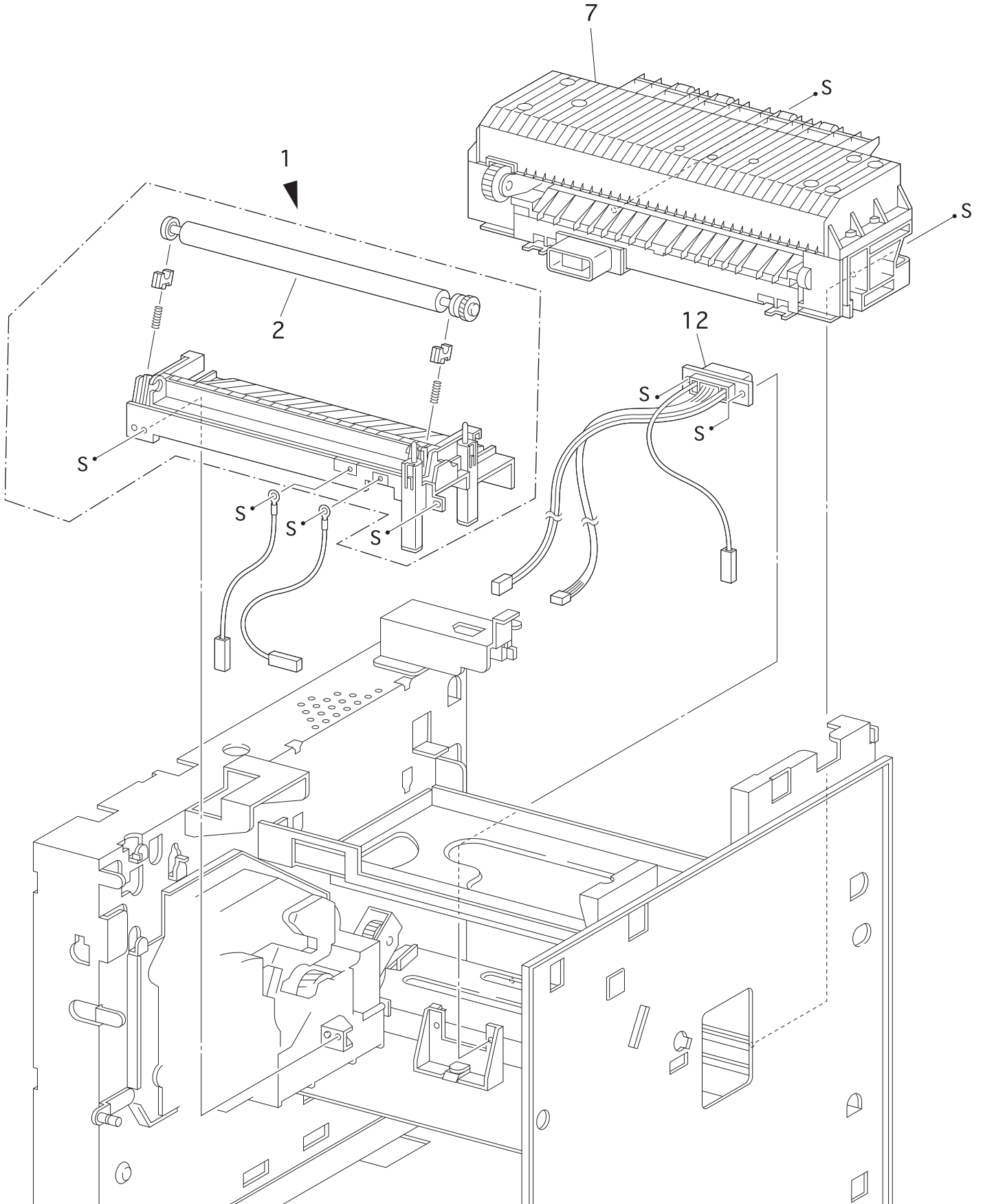
HKC007FD

The parts to which no reference number is assigned will not be available as after-sale service parts.



The parts to which no reference number is assigned will not be available as after-sale service parts.

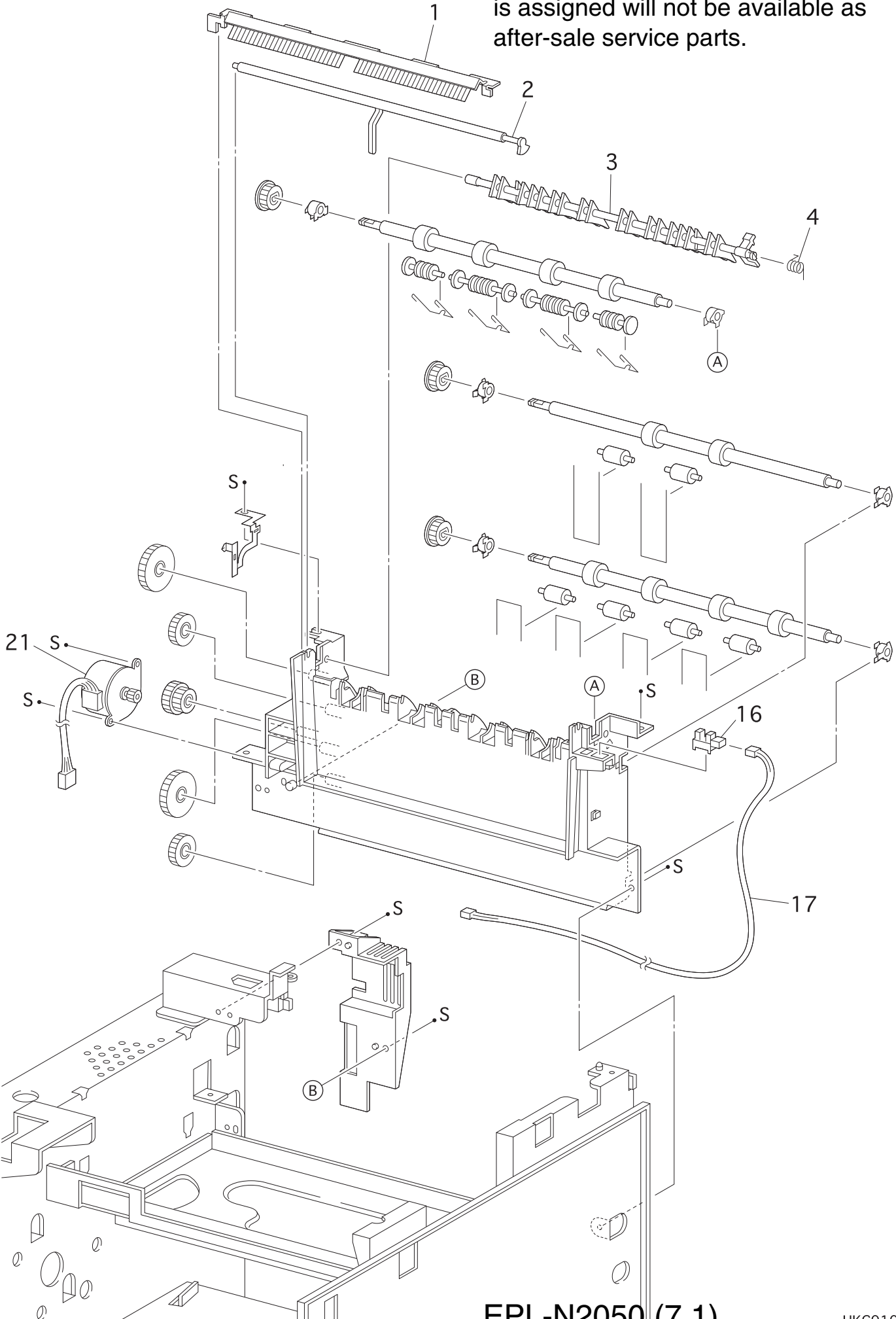
▶ 99(with 2 and 7)



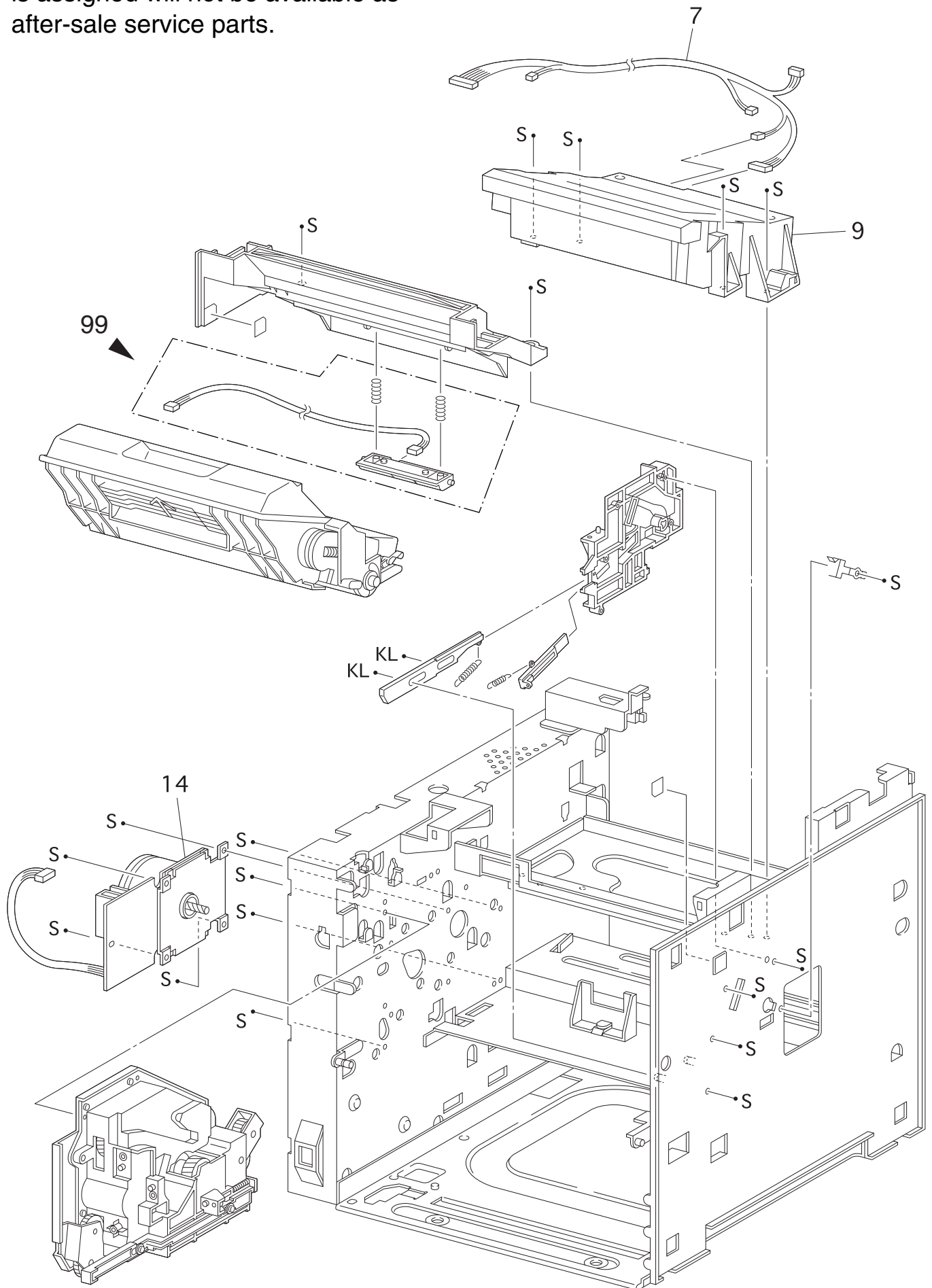
HKC009FB

EPL-N2050 (6.1)
10166 Rev.01

The parts to which no reference number is assigned will not be available as after-sale service parts.

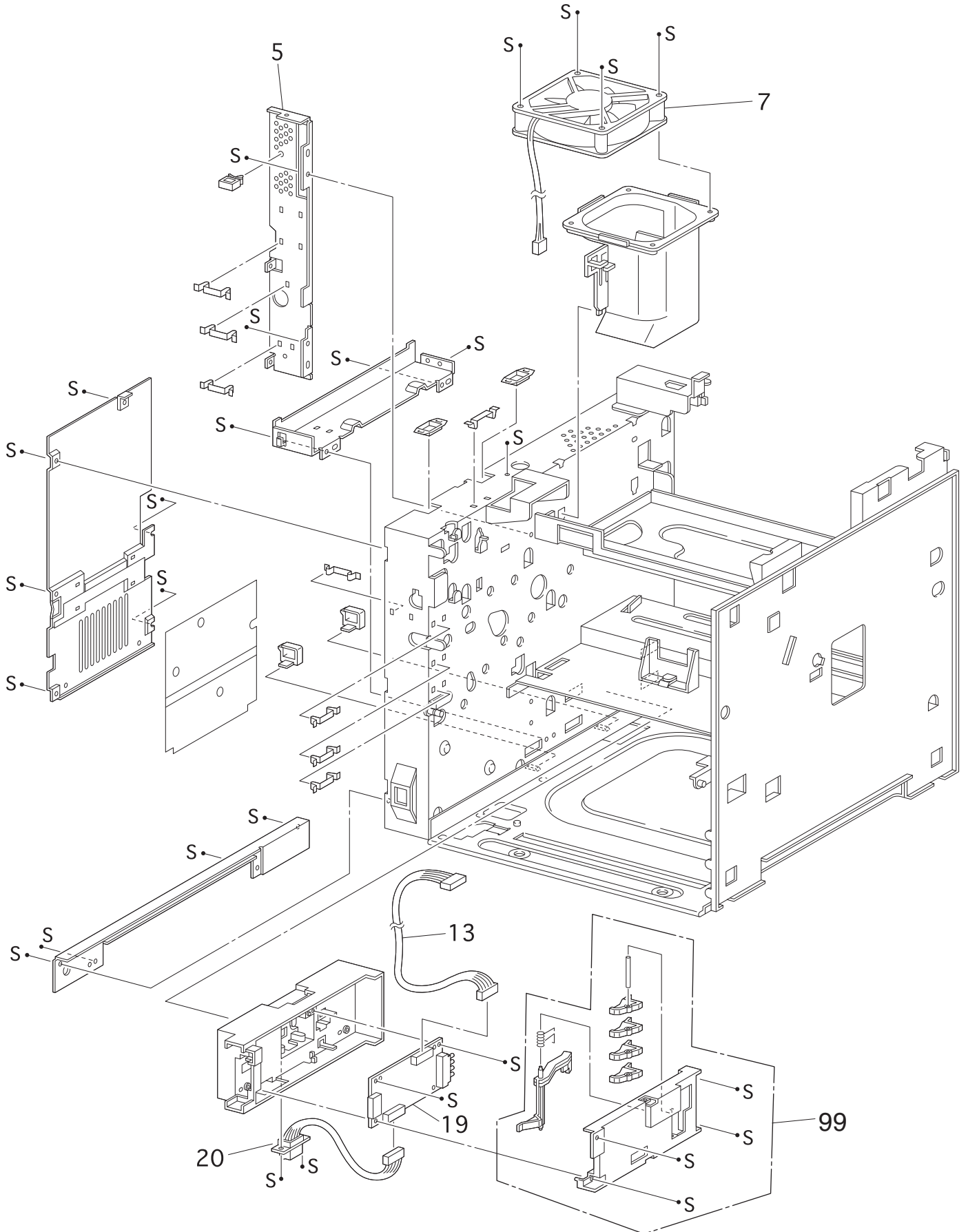


The parts to which no reference number is assigned will not be available as after-sale service parts.



EPL-N2050 (8.1)
10166 Rev.01

The parts to which no reference number is assigned will not be available as after-sale service parts.

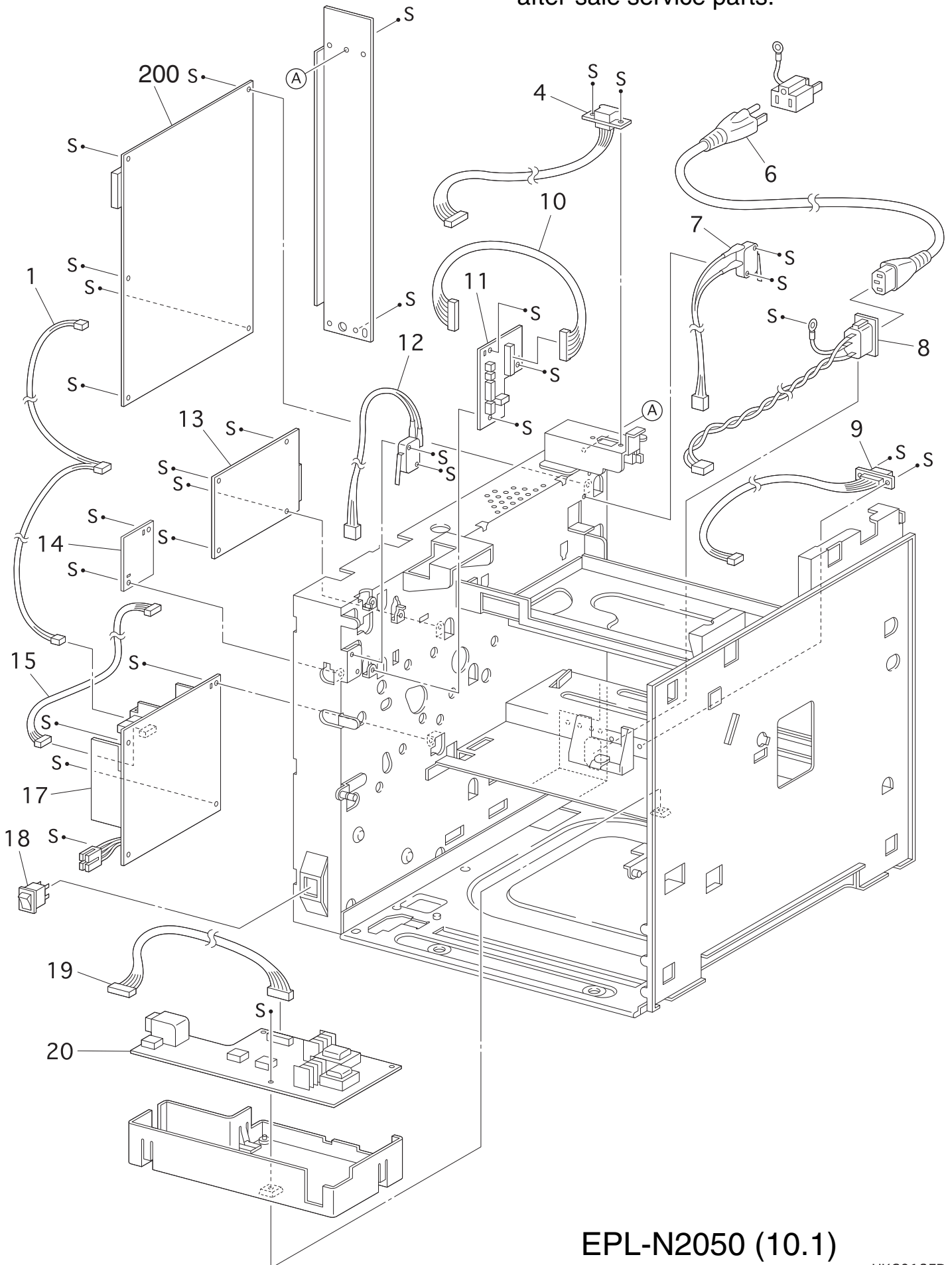


HKC012FC

EPL-N2050 (9.1)

10166 Rev.01

The parts to which no reference number is assigned will not be available as after-sale service parts.



EPL-N250 (10.1)

10166 Rev.01

HKC013FD