

EPSON EPL9000

Page 1

REF	PART	DESC	QUAN	STANDARD
100	1021448	TOP COVER ASSY	1	
101	1015267	EXTENT TRAY ASSY	1	
102	1015266	OPTION COVER	1	
103	1015268	REAR COVER	1	
104	1021449	LEFT COVER	1	
105	1021450	RIGHT COVER	1	
106	1020930	LOGO PLATE	1	
107	1021482	GUIDE COVER	1	
200	2016102	BOARD ASSY.,MAIN	1	WITHOUT IC5,6,13,14
201	B010303311	C.B.SCREW	2	M3X6
202	B310204311	C.B.B. SCREW	3	M3X8
203	1002992	SPACER	2	
204	1021537	SPACER	3	
IC13	2015911	EP-ROM	1	4M BIT
IC14	2015912	EP-ROM	1	4M BIT
IC5	2015909	EP-ROM	1	4M BIT
IC6	2015910	EP-ROM	1	4M BIT
CN1,CN2	2015119	CONNECTOR	2	72,
CN10	2008659	CONNECTOR	1	20PIN
CN11	X602022000	CONNECTOR	1	20 PIN
CN12	2008642	CONNECTOR	1	4PIN
CN3	2001650	HARNESS	1	
CN4	2010609	CONNECTOR	1	36PIN
CN5	1004142	C.P.B-TITE SCREW	2	M3X8
CN5	2007160	CONNECTOR	1	36PIN
CN6	2015244	CONNECTOR	1	
CN7	2012960	CONNECTOR	1	
CN9	2013160	CONNECTOR	1	25,
CR2	2014105	QUARTZ OSCILLATOR	1	58.285MHZ,
CR3	2014106	QUARTZ OSCILLATOR	1	38.461MHZ,
C101,C102	2003163	AL'IUM.E'LYTIC. CAP.	2	2.2UF50V 20%
C18,C19	2008129	CHIP CAPACITOR	2	0.1UF25V
C2,C6-C15	2008129	CHIP CAPACITOR	11	0.1UF25V
C206,C207	2005291	CHIP CAPACITOR	2	100PF50V 10%
C21-C37	2008129	CHIP CAPACITOR	17	0.1UF 25V
C3,C16,C17	2009519	AL'IUM.E'LYTIC. CAP.	3	
C38-C41	X200321009	ELECTROLYTIC CAPACITOR	4	10UF 25V
C4,C5	X200530108	AL'IUM.E'LYTIC. CAP.	2	1UF DC50V 20%
C43-C49	2008129	CHIP CAPACITOR	3	0.1UF25V
C50	2008336	CHIP CAPACITOR	1	470PF50V 5% TP
C51,C52	2006229	EMI FILTER	2	
C54,C55	2008129	CHIP CAPACITOR	2	0.1UF25V
C57,C59	2008129	CHIP CAPACITOR	2	0.1UF25V
C61,C63	2008129	CHIP CAPACITOR	2	0.1UF25V
C64	2002077	ELECTROLYTIC CAPACITOR	1	330UF10V 20%
C69,C70	2008129	CHIP CAPACITOR	2	0.1UF25V
C74,C76	2008129	CHIP CAPACITOR	2	0.1UF25V
C77-C80	2015012	CIP CAPACITOR	4	TP,47PF,50V,+5%,
C82,C89	2008129	CHIP CAPACITOR	2	0.1UF25V
C83	2015594	CIP CAPACITOR	1	TP,68PF,50V,+5%,
C84	2013873	EMI FILTER	1	
C90,C200	2008129	CHIP CAPACITOR	2	0.1UF25V
C92-C100	2008129	CHIP CAPACITOR	9	0.1UF25V
FL1	2005065	EMI FILTER	1	
FL2	2007918	EMI FILTER	1	
FL3,FL4	2012959	NOISE FILTER	2	

EPSON EPL9000

Page 2

REF	PART	DESC	QUAN	STANDARD
IC1	2016232	MICROPROCESSOR	1	32BIT
IC10	X422352449	TTL-IC	1	OCTALBUF/DRV.RCV.3-ST
IC11,IC12	X422952459	TTL-IC	2	
IC13,IC14	2012958	IC SOCKET	2	
IC15,IC16	2012568	IC SOCKET	2	21,
IC17	2012965	GATE ARRAY SLA915SF0Y	1	
IC18	2012964	GATE ARRAY M66348FP	1	
IC19	2013458	RS-232 TRANSCEIVER IC	1	
IC2,IC3	X422353658	TTL-IC	2	HEX.BUS DRV. 3-ST
IC20	X420300070	TTL-IC	1	HEX BUFFER/DRIVER
IC22	X422352459	TTL-IC	1	OCTALBUS TECV.3-ST
IC23	2003700	IC	1	8 PIN
IC24-IC27	2012962	DRAM	4	
IC29	2014280	MASK ROM,MB838200BPF8L3	1	8M BIT
IC30	2014279	MASK ROM,MB838200BPF8L2	1	8M BIT
IC34	2008099	TTL-IC	1	SOP 14
IC4	2005767	INTERFACE IC	1	
IC5,IC6	2012958	IC SOCKET	2	
IC7	2012963	GATE ARRAY M60073-5700FP	1	
IC8	X630112430	IC SOCKET	1	24 PIN
IC8	2010753	EEPROM	1	16K BIT
IC9	X630114230	IC SOCKET	1	42 PIN
J18,J23	1001292	JUMPER WIRE	2	
J30	2006284	CHIP RESISTOR	1	0 OHM
RM1,RM5	2007898	CHIP RESISTOR ARRAY	2	10K OHM 1/16W 5%
RM17,RM18	2012957	CHIP RESISTOR ARRAY	2	
RM19,RM28	2007898	CHIP RESISTOR ARRAY	2	10K OHM 1/16W 5%
RM2,RM3	2009211	CHIP RESISTOR ARRAY	2	68 OHM 1/16W 5%
RM20-RM26	2009211	CHIP RESISTOR ARRAY	7	68 OHM 1/16W 5%
RM29-RM32	2009211	CHIP RESISTOR ARRAY	4	68 OHM 1/16W 5%
RM33	2009208	CHIP RESISTOR ARRAY	1	100 OHM 1/16W 5%
RM4	2007899	CHIP RESISTOR ARRAY	1	1K OHM 1/16W 5%
RM6-RM8	2007897	CHIP RESISTOR ARRAY	3	3.3K OHM 1/16W 5%
RM9-RM16	2009211	CHIP RESISTOR ARRAY	8	68 OHM 1/16W 5%
R100,R201	2001519	CHIP RESISTOR	2	68 OHM 1/10W 5%
R101-R103	X193011032	CHIP RESISTOR	3	10K OHM 1/10W 5%
R106-R109	2001517	CHIP RESISTOR	4	47 OHM 1/10W 5%
R118	2005056	CHIP RESISTOR	1	10 OHM 1/10W 5%
R119,R211	2005213	CHIP RESISTOR	2	33 OHM 1/10W 5%
R18,R111	2006284	CHIP RESISTOR	2	0 OHM
R19,R20	2001519	CHIP RESISTOR	2	68 OHM 1/10W 5%
R2	X193011042	CHIP RESISTOR	1	100K OHM 1/10W 5%
R200,R215	X193011032	CHIP RESISTOR	2	10K OHM 1/10W 5%
R202	2001519	CHIP RESISTOR	1	68 OHM 1/10W 5%
R21-R23	2001520	CHIP RESISTOR	3	100 OHM 1/10W 5%
R216-R220	2001519	CHIP RESISTOR	5	68 OHM 1/10W 5%
R26	2001517	CHIP RESISTOR	1	47 OHM 1/10W 5%
R28,R33	2001519	CHIP RESISTOR	2	68 OHM 1/10W 5%
R29	X193012022	CHIP RESISTOR	1	2K OHM 1/10W 5%
R3	2006204	CHIP RESISTOR	1	120 OHM
R300	2005213	CHIP RESISTOR	1	33 OHM 1/10W 5%
R35,R36	2001519	CHIP RESISTOR	2	68 OHM 1/10W 5%
R37	2001535	CHIP RESISTOR	1	15K OHM 1/10W 5%
R38,R49	2001519	CHIP RESISTOR	2	68 OHM 1/10W 5%
R39,R48	X193011032	CHIP RESISTOR	2	10K OHM 1/10W 5%

EPSON EPL9000

Page 3

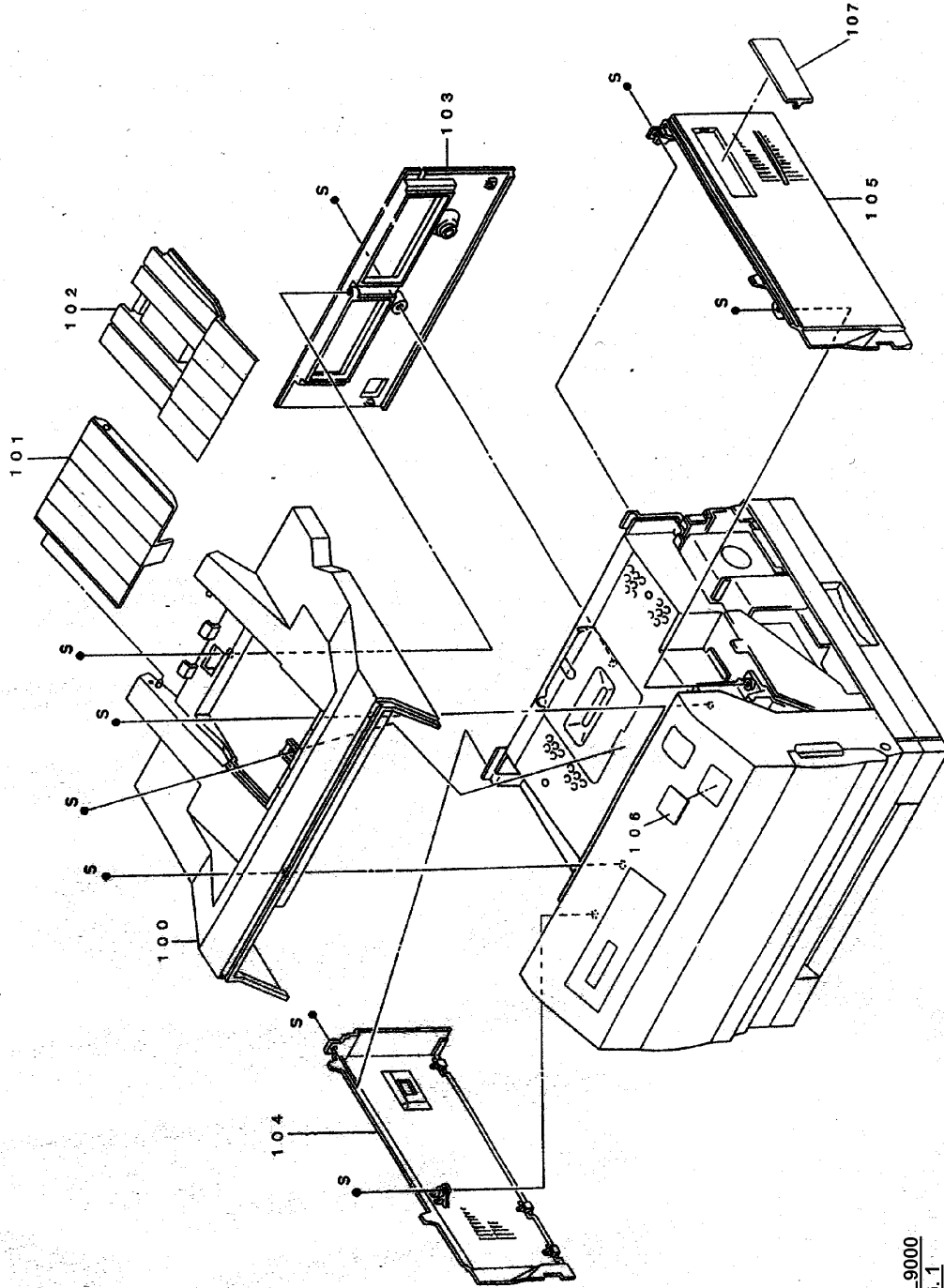
REF	PART	DESC	QUAN	STANDARD
R40-R42	2010750	CHIP RESISTOR	3	
R43	X193012202	CHIP RESISTOR	1	22 OHM 1/10W 5%
R44-R47	2005213	CHIP RESISTOR	4	33 OHM 1/10W 5%
R5-R7,R32	X193011032	CHIP RESISTOR	4	10K OHM 1/10W 5%
R50,R99	2001519	CHIP RESISTOR	2	68 OHM 1/10W 5%
R51-R54	X193011032	CHIP RESISTOR	4	10K OHM 1/10W 5%
R55	2001520	CHIP RESISTOR	1	100 OHM 1/10W 5%
R56-R58	2005213	CHIP RESISTOR	3	33 OHM 1/10W 5%
R59-R62	2001520	CHIP RESISTOR	4	100 OHM 1/10W 5%
R63,R67	X193011022	CHIP RESISTOR	2	1K OHM 1/10W 5%
R64,R65	X193011032	CHIP RESISTOR	2	10K OHM 1/10W 5%
R68,R120	X193011022	CHIP RESISTOR	2	1K OHM 1/10W 5%
R69	2001520	CHIP RESISTOR	1	100 OHM 1/10W 5%
4R71,R105	X193011032	CHIP RESISTOR	2	10K OHM 1/10W 5%
R8,R15-R17	2001519	CHIP RESISTOR	4	68 OHM 1/10W 5%
R89-R92	2001519	CHIP RESISTOR	3	68 OHM 1/10W 5%
R9-R14	X193011032	CHIP RESISTOR	6	10K OH M 1/10W 5%
R93-R97	2005213	CHIP RESISTOR	5	33 OHM 1/10W 5%
450	2014134	CONTROL PANEL	1	
300	2015680	LVPS ASSY	1	
350	2014738	HARNESS	1	
500	1021497	FRONT COVER ASSY	1	
501	1021437	MSI TRAY ASSY	1	
502	2010625	PICK UP SOLENOID	1	
503	1015256	PICK UP ROLL ASSY	1	
504	1021436	TRANS CHUTE ASSY	1	
505	2010636	CHUTE FAN	1	
506	1021438	BTR ASSY	1	
507	1015284	INLET CHUTE	1	
508	1015259	BOTTOM PLATE ASSY	1	
509	2010626	NO PAPER SENSOR ASSY	1	
510	1015285	CAP	2	
511	1021506	BTR ARM L	1	
512	1021507	BTR ARM R	1	
513	1021499	FRONT COVER	1	
514	1021500	BUTTON	1	
515	1021501	LATCH ASSY	1	
516	1021503	GEAR CLUTCH	1	
517	1021483	FEED BEARING	2	
518	2015696	HARNESS ASSY P/H1	1	
519	2015695	MSI SENSOR	1	
520	1030543	RELEASE LEVER	1	
530	1015251	LINK ASSY	1	
531	1015281	SHUTTER LEVER	1	
532	1015252	RETARD PAD ASSY	1	
533	1015282	RETARD SPRING	2	
534	2010665	REGI. ROLL ASSY	1	
535	1015283	REGI.CLUTCH	1	
536	2010634	REGI.SENSOR	1	
537	2010635	REGI.ACTUATOR	1	
538	1015254	LOWER CHUTE ASSY	1	
539	1021493	C/B SPRING S	1	
540	1021490	C/B SPRING L	1	
541	1021494	SPRING LEVER	1	
542	2015691	RESISTOR ASSY	1	

EPSON

EPL9000

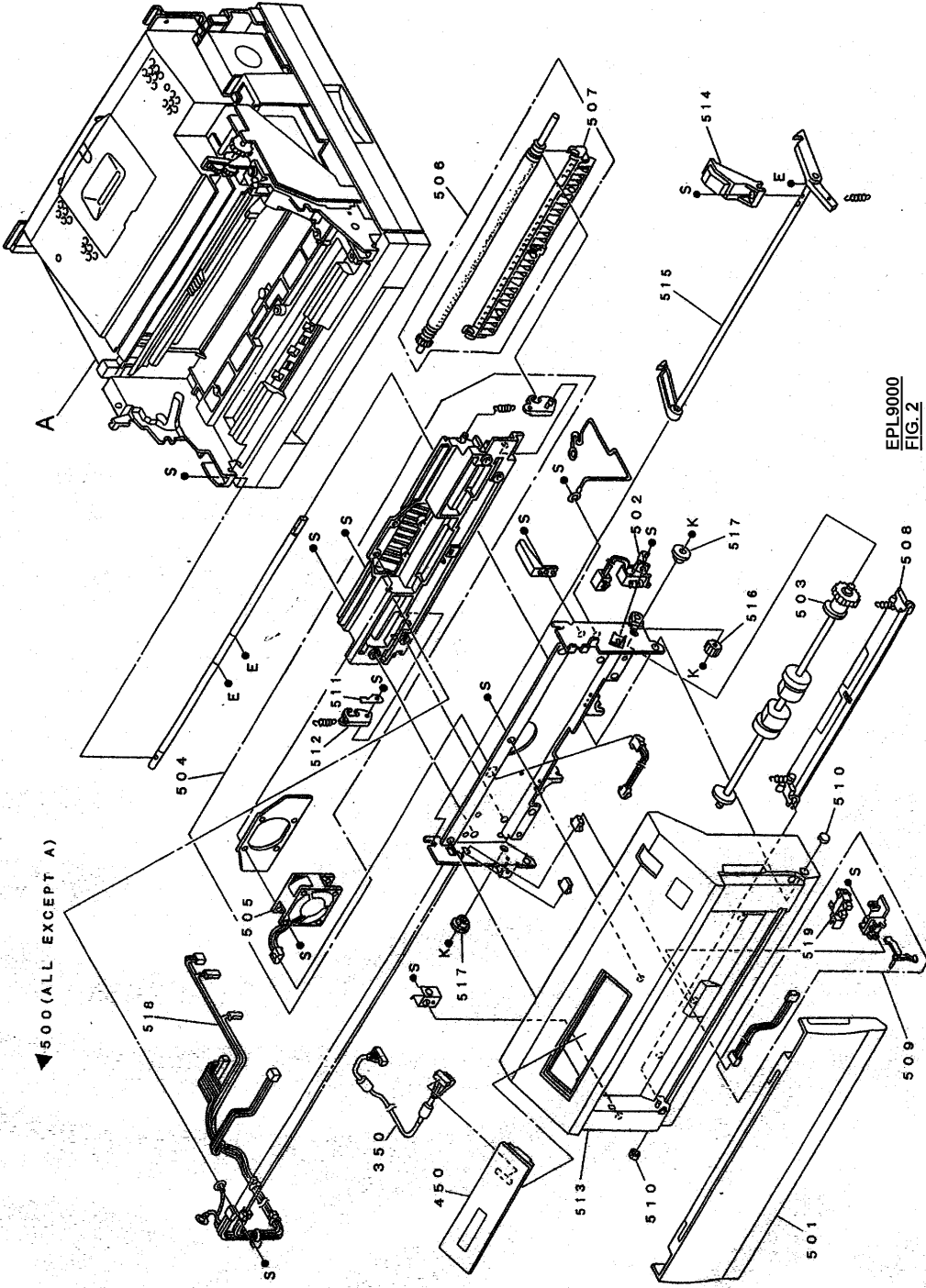
Page 4

REF	PART	DESC	QUAN	STANDARD
543	1021495	REGI SPRING	1	
560	2015676	FUSER ASSY	1	
561	1021509	HEATER ASSY	1	
562	2010639	FUSE	1	
563	2015678	THERMOSTAT	1	
564	1015287	HEAT ROLL	1	
565	1015528	ELIMINATOR	1	
566	1021439	PRESSURE ROLL	1	
567	1015288	EXIT ROLL ASSY	1	
568	2010637	EXIT SENSOR	1	
569	2010638	EXIT ACTUATOR	1	
570	1021508	FUSER TOP COVER ASSY	1	
571	1021510	GEAR H/R	1	
572	1021512	H/R RING	2	
573	1021513	P/R BEARING	2	
574	1021514	NIP SPRING	2	
575	1021515	FUSER INLET CHUTE	1	
576	1021516	EXIT SHUTE	1	
577	1021517	GEAR EXIT	1	
578	1021531	H/R BEARING L	1	
579	1021533	H/R BEARING R	1	
580	1021534	EXIT TORSION SPRING	1	
600	2015683	HVPS	1	
601	1015295	KNOB VOLUME	1	
602	2015682	MCU PWB	1	
603	2010631	FAN	1	
604	2010668	EARTH PLATE ASSY	1	
605	1015297	REAR SHIELD ASSY	1	
606	1021529	COVER SHIELD	1	
607	1021445	UPPER SHIELD ASSY	1	
608	1012848	GUIDE RAIL	1	
609	1012855	GROUNDING SPRING,TYPE-B	1	
610	1021527	SADDLE EDGE H	3	
611	1021528	BUSH	1	
612	2015701	HARNESS ASSY ROS	1	
613	2015702	HARNESS ASSY SOS	1	
614	2015703	HARNESS ASSY HVPS	1	
615	2015704	HARNESS ASSY 1 TRAY	1	
616	2015705	HARNESS ASSY CRU	1	
617	2015706	HARNESS ASSY REGI	1	
630	1021441	ROS ASSY	1	
631	1015290	GEAR IDLE ROS	1	
632	1015291	BTR BEARING	2	
633	1015292	PUSH LEVER	1	
634	1021443	DRIVE ASSY	1	
635	2010628	CRU SENSOR PWB	1	
636	2015679	CRU ACTUATOR	1	
637	1015294	CRU SENSOR SPRING	1	
638	2010629	ERASE LAMP ASSY	1	
639	2010627	TONER SENSOR ASSY	1	
640	1015293	RING SPACER	2	
641	1021518	TONER SENSOR SPRING	1	
650	1015530	FEEDER ASSY	1	
651	2010615	FEED SOLENOID	1	
652	2010617	TURN SOLENOID	1	



EPL9000
FIG. 1

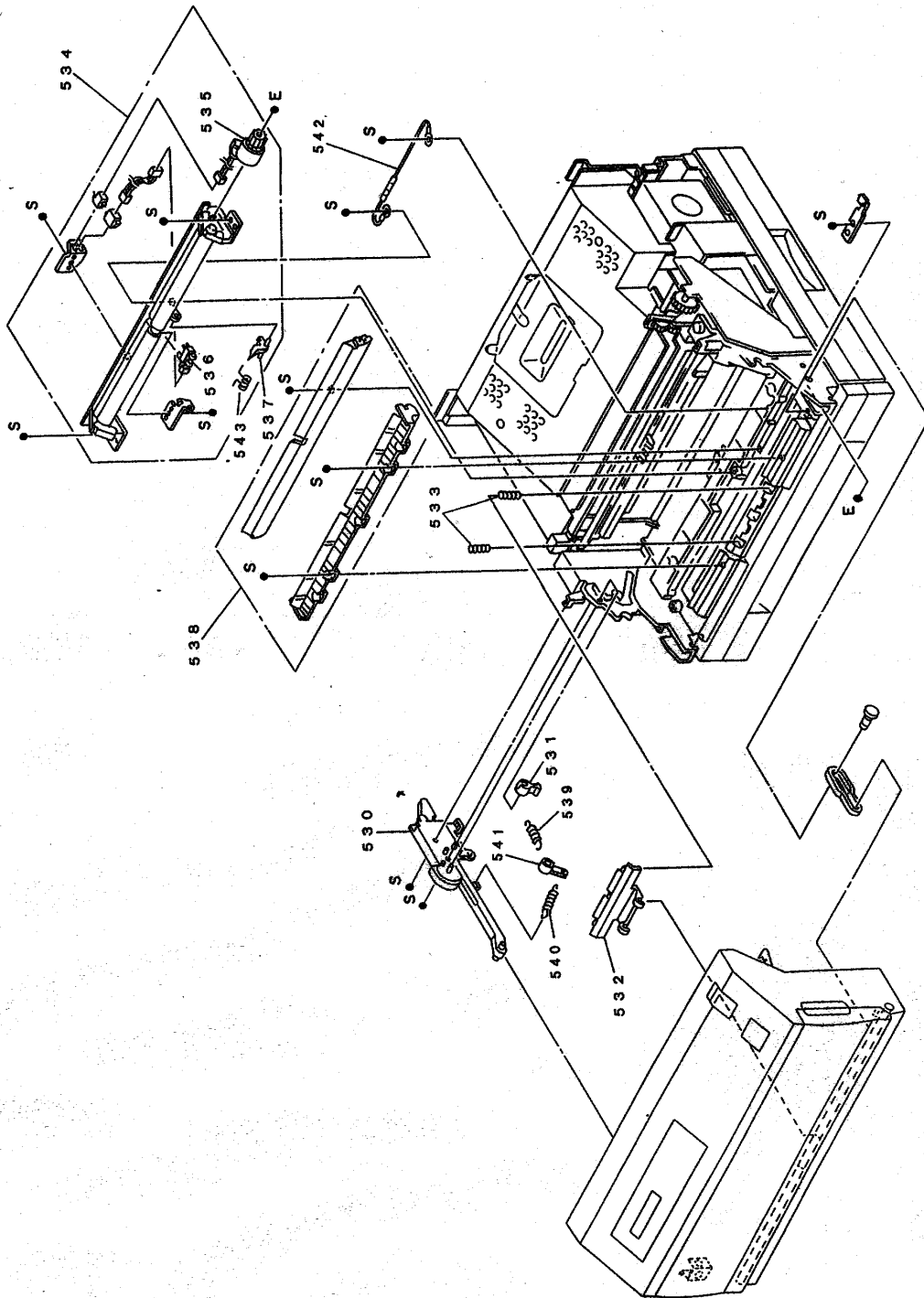
EPSON EPL9000



EPL9000
FIG. 2

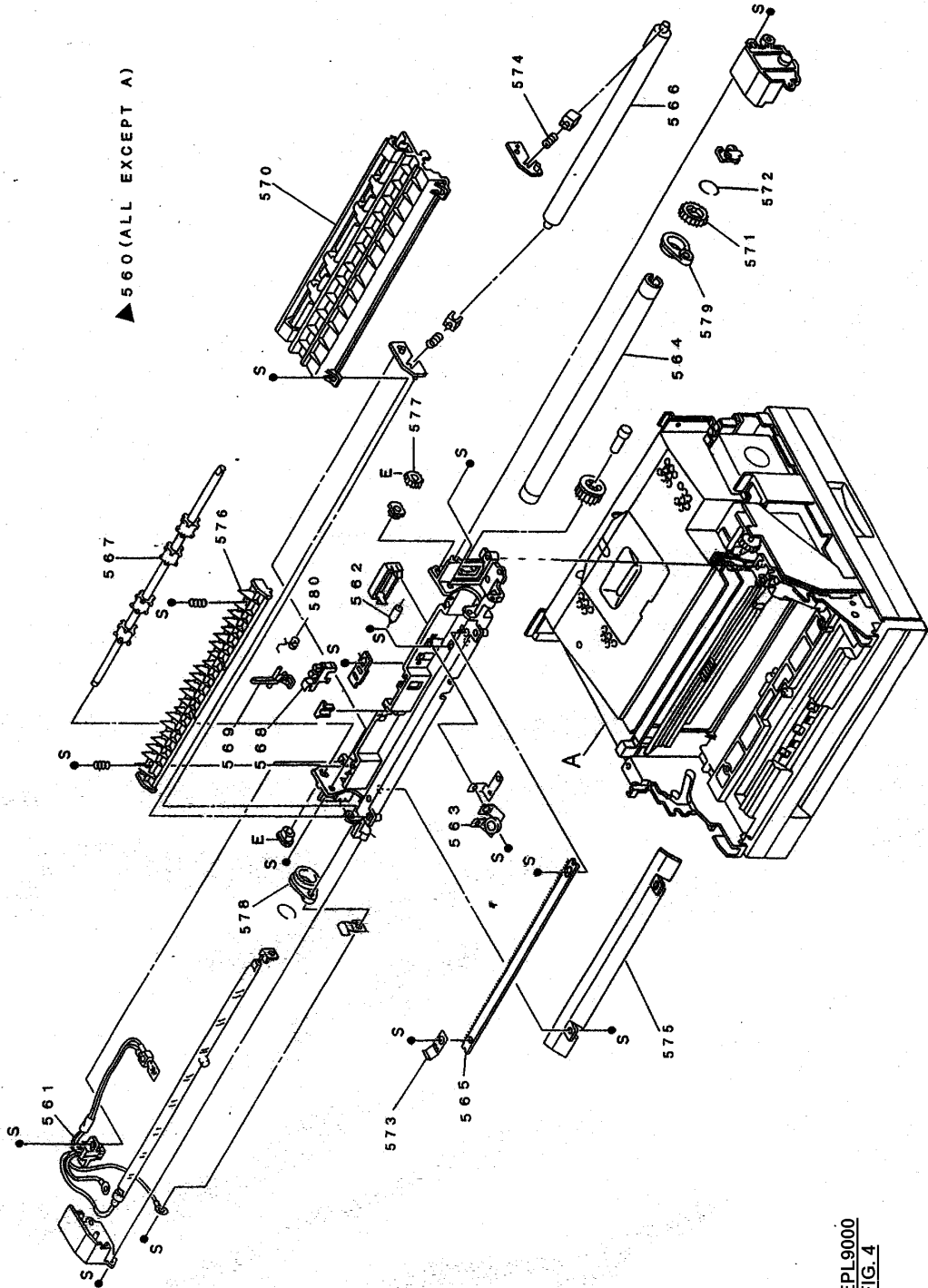
EPSON EPL9000

Page 8



EPL9000
FIG. 3

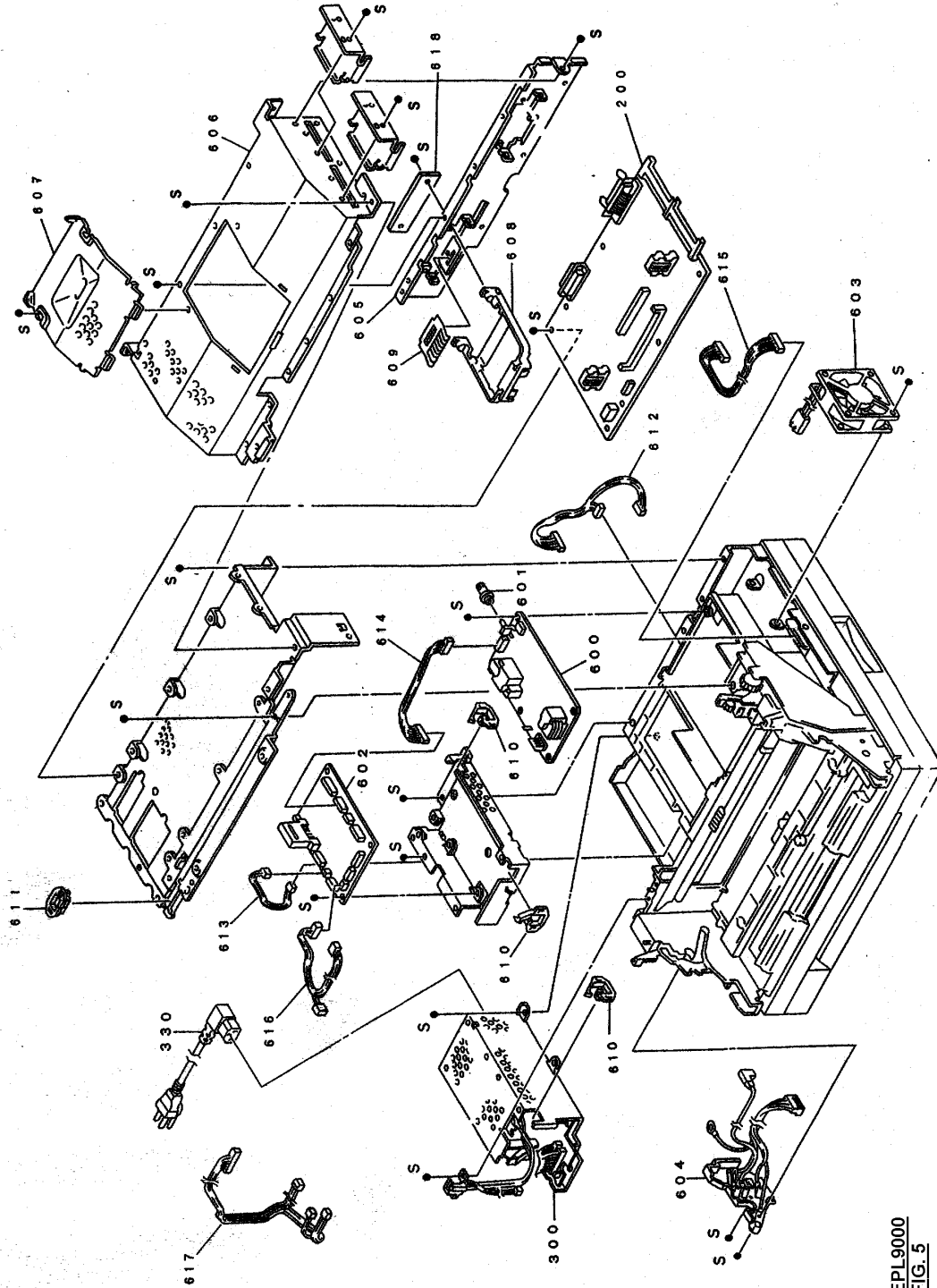
EPSON EPL9000



EPL9000
FIG. 4

EPSON EPL9000

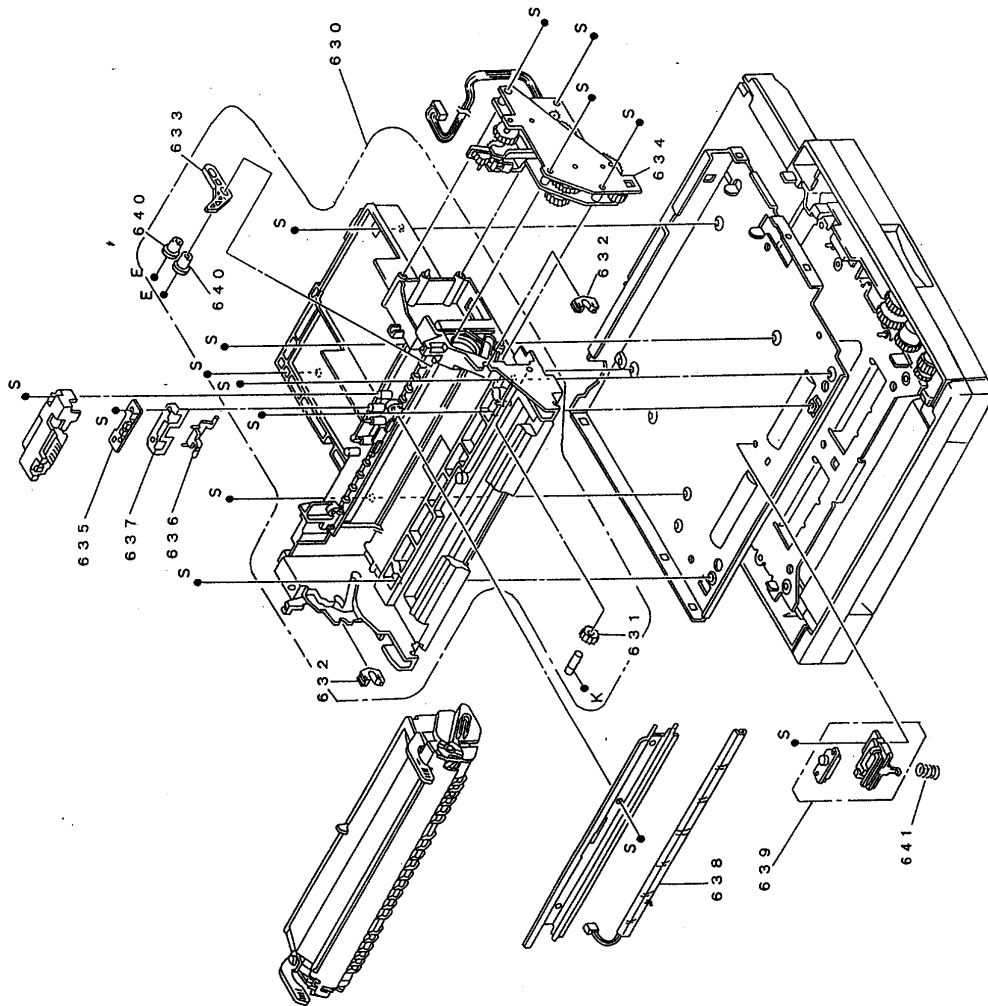
Page 10



EPL9000
FIG. 5

EPSON EPL9000

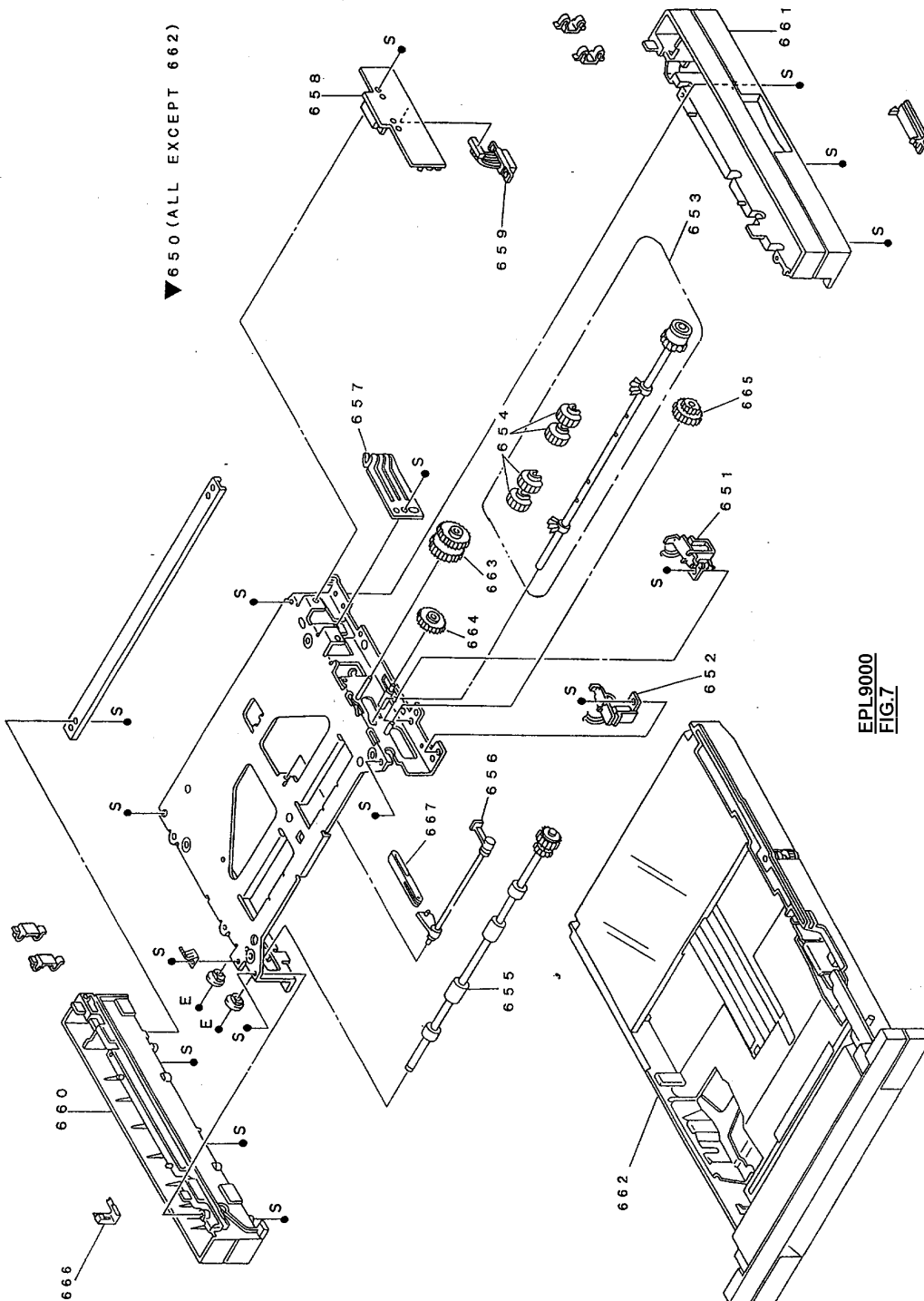
Page 11



EPL9000
FIG. 6

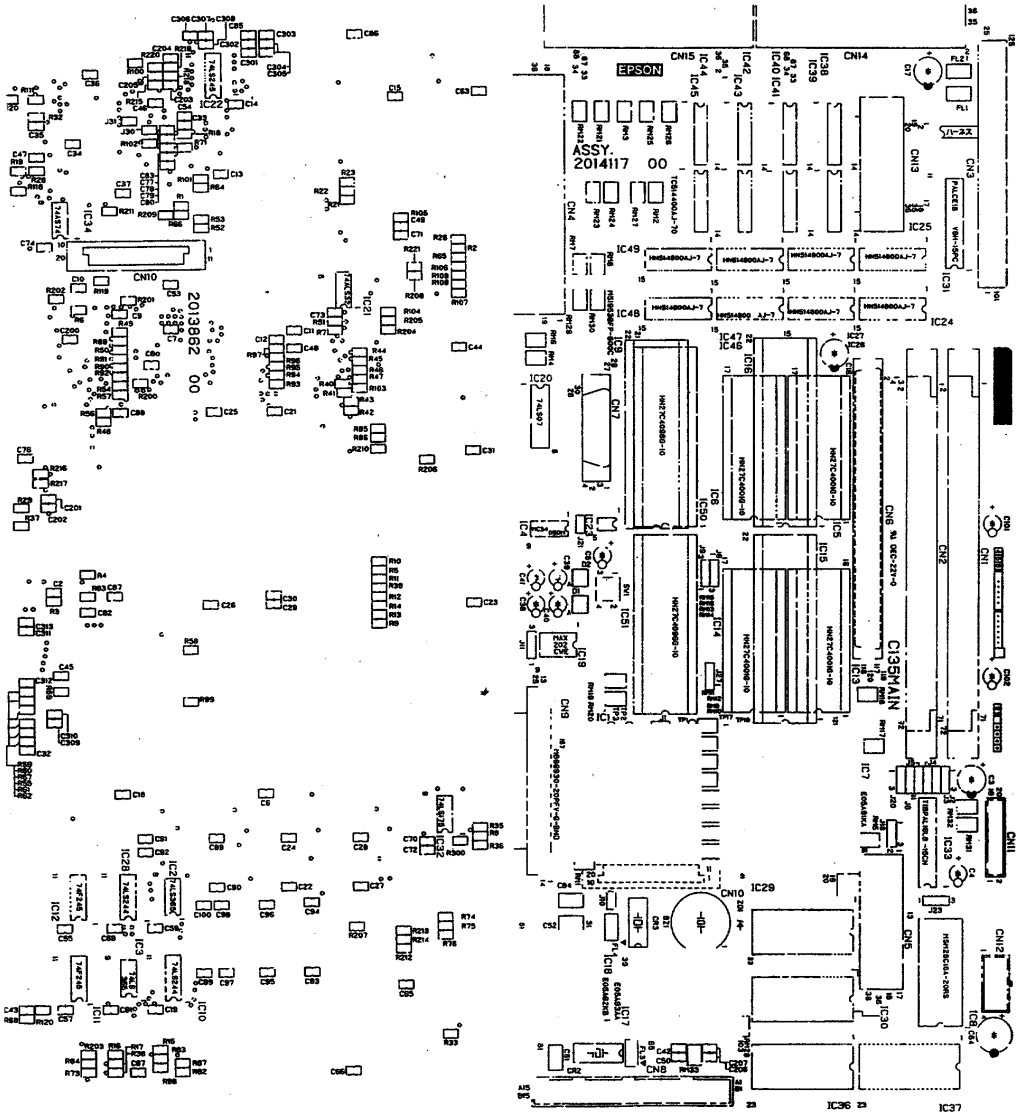
EPSON EPL9000

Page 12



EPL9000
FIG.7

EPSON EPL9000



**EP9000 MAIN BOARD
FIG.8**