

# EPSON

## EPL-6100

Page No.:1

REF	PART NO	DESCRIPTION	SPEC	QTY
01-01	1090617	COVER		1
01-02	1090618	TRAY		1
01-03	1084551	GUIDE		1
01-04	1084552	ROLLER		2
01-05	1090619	GEAR ASSY		1
01-06	1090621	ROLLER		4
01-07	1090620	TOP COVER ROLLER ASSY		1
01-08	1090622	LEVER		1
01-09	1090623	TORSION SPRING		1
01-10	1090624	HOLDER		1
01-11	1090625	MEMBER		1
01-12	1090626	COVER		1
01-13	1090627	TORSION SPRING		2
01-14	1090628	FRONT COVER		1
01-15	1090632	RUBBER FOOT		2
01-16	1090633	TRAY		1
01-17	1090634	TRAY		1
01-18	1090635	GEAR		1
01-19	1090636	COVER		1
01-20	1090637	REGULATION PLATE		1
01-21	1090638	REGULATION PLATE		1
01-22	1090639	COVER		1
01-23	1090641	LABEL		1
01-24	1090642	LABEL		1
01-26	1058403	LOGO PLATE 10X40;C		1
01-30	1084672	COVER		1
01-100	2055865	CONTROL PANEL		1
02-01	1090647	TENSION SPRING		1
02-02	1090648	CAM		1
02-03	1090649	CAM		1
02-04	1090650	CAM		1
02-05	1084553	ROLLER		1
02-06	1090651	ROLLER		1
02-07	1090652	GEAR		1
02-08	1155464	GEAR		1
02-09	1090632	RUBBER FOOT		2
02-10	2056850	SOLENOID		1
02-11	1090891	ACTUATOR		1
02-12	2056851	PHOTO INTERRUPTER		1
02-13	1090655	PRESSURE SPRING		1
02-14	1090657	GUIDE		2
02-15	1090658	STOPPER		2
02-16	1090659	PRESSURE SPRING		2
02-17	1155549	REGULATING PLATE ASSY		1
02-18	1090661	TENSION SPRING		1
02-19	1090662	LEVER		1
02-20	1084556	SEPARATOR PAD		1
02-21	1090635	GEAR		1
02-22	1084673	HOLDER		2
02-23	1084675	GUIDE		1
02-24	1091520	SEAL		1

# EPSON

## EPL-6100

Page No.:2

REF	PART NO	DESCRIPTION	SPEC	QTY
02-25	1084676	REINFORCE PLATE		1
02-26	1113934	FRICION SHEET		1
02-27	1155527	REINFORCE PLATE		2
02-28	1155528	TAPE		1
02-100	2057062	WIRE HARNESS ASSY		1
02-101	2057063	WIRE HARNESS ASSY		1
03-01	2060244	HEATER 230V		1
03-02	2056851	PHOTO INTERRUPTER		1
03-03	1090663	ACTUATOR		1
03-04	1090664	HOLDER		1
03-05	1104888	BUSHING		2
03-06	1104887	FUSING ROLLER		1
03-07	1090667	SEPARATOR		2
03-08	1090668	SEPARATOR		2
03-09	1042716	PRESSURE SPRING		4
03-10	1090669	BUSHING		1
03-11	2060245	THERMAL SWITCH		1
03-12	1053835	FUSING ROLLER		1
03-13	1040809	BUSHING		1
03-14	2069669	FUSING UNIT 220/240V		1
03-15	1084678	ROLL		2
03-16	1084679	GEAR		1
03-17	1084680	GEAR		1
03-18	1084681	SEAL		1
04-01	1090671	TORSION SPRING		1
04-02	2027752	SWITCH		1
04-03	2060246	I/C GUIDE ASSY		1
04-04	2069670	DRIVE GEAR ASSY		1
04-05	2069671	MOTOR		1
04-06	2060249	MICRO-SWITCH		1
04-07	1090672	ROLL		2
04-08	1084557	TRANSFER ROLLER		1
04-09	2056859	TRANSFER GUIDE ASSY		1
04-101	2057066	WIRE HARNESS ASSY		1
04-102	2057068	WIRE HARNESS ASSY		1
04-103	2069672	WIRE HARNESS ASSY		1
05-01	2069673	HV TRANSFORMER		1
05-02	2069674	FAN MOTOR		1
05-03	1090673	HOLDER		1
05-04	2056862	POWER SUPPLY 200V		1
05-05	2069675	PRINT HEAD ASSY		1
05-06	2010468	AC CABLE,AS31303SI-A		1
05-07	1012848	INTERFACE GUIDE RAIL		1
05-08	1012855	GROUNDING SPRING,TYPE-B (I/F BOARD)		1
05-09	1113935	CABLE TIE		4
05-10	1113936	CORD CLAMP		1
05-12	2057067	WIRE HARNESS ASSY		1
05-200	2071070	BOARD ASSY., MAIN		1
05-201	2048955	BOARD ASSY.,I/F		1
05-202	2055898	WIRE HARNESS (I/F BRD TO MAIN BRD)		1
05-203	1027321	COVER,TYPE-B		1

# EPSON

## EPL-6100

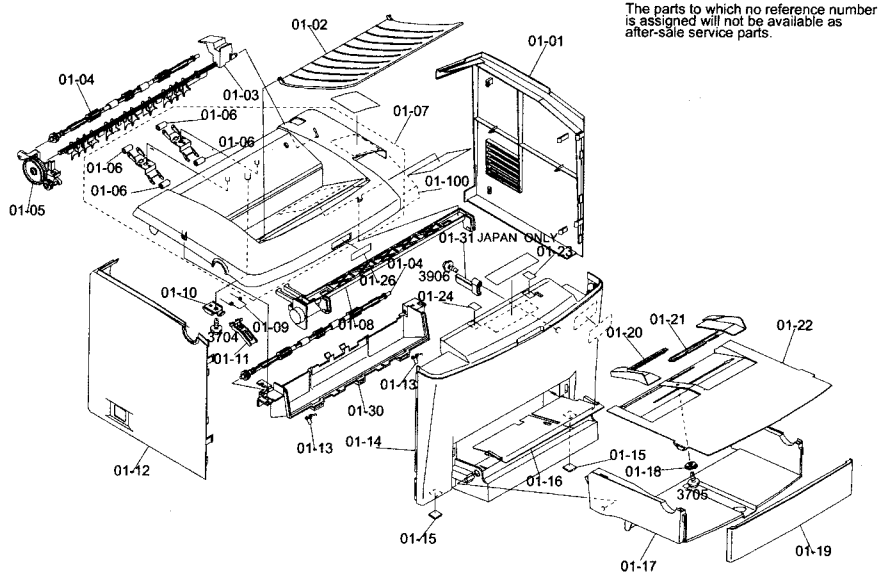
Page No.:3

REF	PART NO	DESCRIPTION	SPEC	QTY
N/A	2060532	BOARD ASSY.,MEMORY		1
1305	1004686	SCREW		1
1318	1031790	SCREW		1
2902	1090674	SCREW		1
3501	1012113	TAPPING SCREW		1
3504	1004720	TAPPING SCREW		1
3541	1012096	TAPPING SCREW		1
3544	1053852	TAPPING SCREW		1
3704	1015399	TAPPING SCREW		1
3705	1015400	TAPPING SCREW		1
3727	1046142	TAPPING SCREW		1
3906	1053854	TAPPING SCREW		1
3923	1040800	TAPPING SCREW		1
4021	1004736	TAPPING SCREW		1
N/A	5020338	PROTECTION		2
N/A	5020339	CUSHION		1
END				

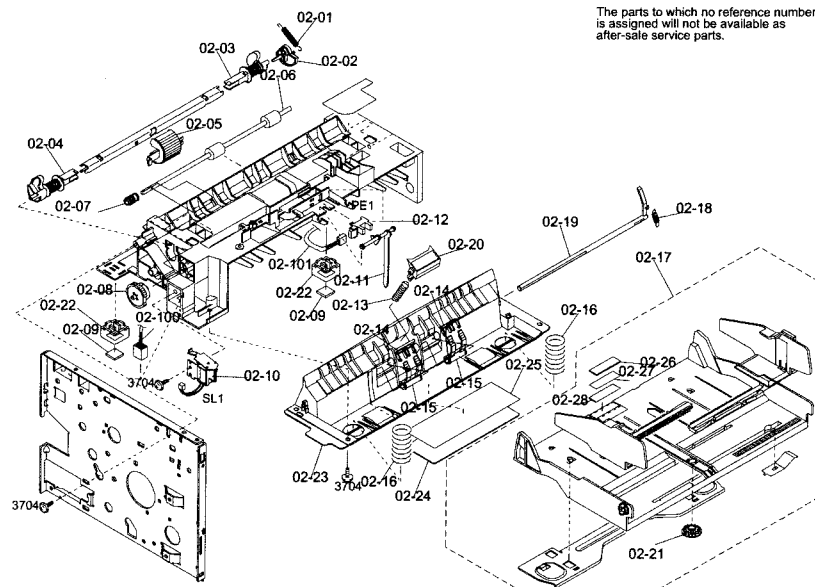
# EPSON

## EPL-6100

Page No.:4



EPL-6100 NO.01

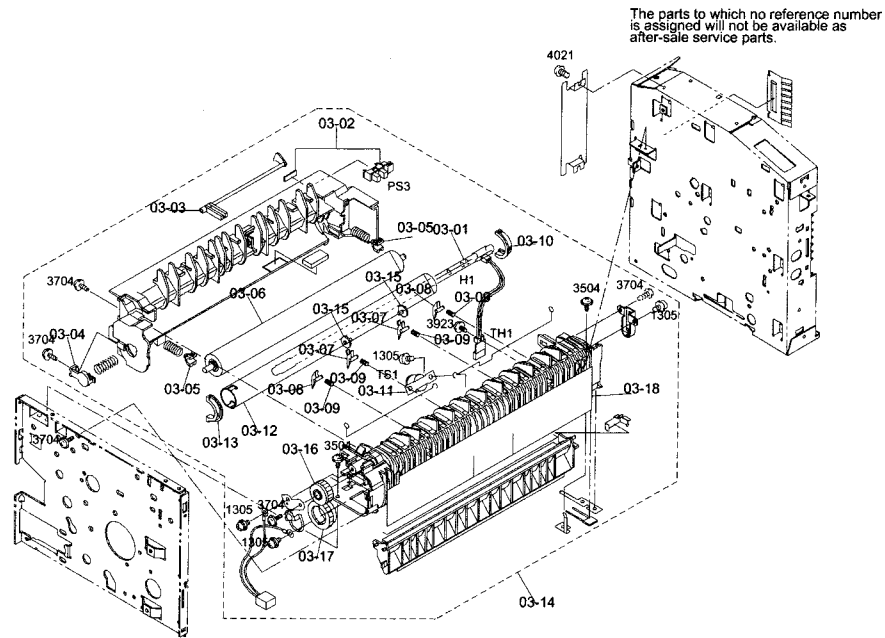


EPL-6100 NO.02

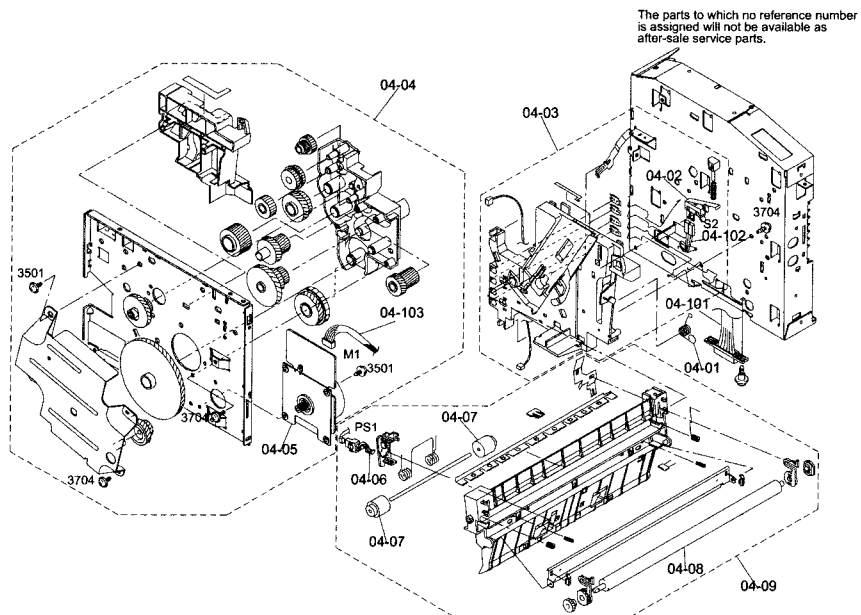
# EPSON

## EPL-6100

Page No.:5



EPL-6100 NO.03



EPL-6100 NO.04

# EPSON

## EPL-6100

Page No.:6

