

# EPSON

## EPL-5900L

Page 1

REF	PART NO	DESCRIPTION	SPEC	QTY
1-1	1090617	COVER	4127-1211-04	1
1-2	1090618	TRAY	4127-1207-03	1
1-3	1084551	GUIDE	4127-3750-03	1
1-4	1084552	ROLLER	4127-3730-03	2
1-5	1090619	GEAR ASSY	4127-0482-01	1
1-6	1090621	ROLLER	4127-3707-01	4
1-7	1090620	TOP COVER ROLLER ASSY	4127-0485-02	1
1-8	1090622	LEVER	4127-1204-03	1
1-9	1090623	TORSION SPRING	4127-3763-01	1
1-10	1090624	HOLDER	4127-3762-01	1
1-11	1090625	MEMBER	4127-3761-01	1
1-12	1090626	COVER	4127-1210-03	1
1-13	1090627	TORSION SPRING	4127-2020-01	2
1-14	1090630	FRONT COVER	4127-1223-04	1
1-15	1090632	RUBBER FOOT	4127-2015-01	2
1-23	1090640	TRAY	4127-1228-03	1
1-24	1090641	LABEL	4127-2024-01	1
1-25	1090642	LABEL	4127-2025-01	1
1-26	1090646	LABEL	4127-7465-01	1
1-27	1084672	COVER	4127-1202-02	1
1-28	2055866	CONTROL PANEL	STANDARD	1
1-29	1058403	LOGO PLATE 10X40;C		1
2-1	1090647	TENSION SPRING	4127-3019-02	1
2-2	1090648	CAM	4127-3026-01	1
2-3	1090649	CAM	4127-3007-01	1
2-4	1090650	CAM	4127-3008-02	1
2-5	1084553	ROLLER	4127-3001-01	1
2-6	1090651	ROLLER	4127-3002-01	1
2-7	1090652	GEAR	4127-3014-01	1
2-8	1090653	GEAR	4127-3010-01	1
2-9	1090632	RUBBER FOOT	4127-2015-01	2
2-10	2056850	SOLENIOD	9321-2000-32	1
2-11	1090892	ACTUATOR	4127-3521-02	1
2-12	2056851	PHOTO INTERRUPTER	4127-0901-01	1
2-13	1090655	PRESSURE SPRING	4127-3041-02	1
2-14	1090657	GUIDE	4127-3042-03	2
2-15	1090658	STOPPER	4127-3022-02	2
2-16	1090660	PRESSURE SPRING	4127-3516-02	2
2-17	1084555	REGULATING PLATE ASSY	4127-0491-02	1
2-18	1090661	TENSION SPRING	4127-3027-01	1
2-19	1090662	LEVER	4127-3025-01	1
2-20	1084556	SEPARATOR PAD	4127-0481-01	1
2-21	1084673	HOLDER	4127-2016-01	2
2-22	2057062	WIRE HARNESS ASSY	4127-6805-01	1
2-23	2057063	WIRE HARNESS ASSY	4127-6814-01	1
2-24	1084674	GUIDE	4127-3551-03	1
2-25	1084676	REINFORCE PLATE	4127-3043-02	1
2-26	1084677	FRICTION SHEET	4127-3013-01	1
2-27	1091520	SEAL	4127-3044-01	1
3-1	2060244	HEATER 230V	4127-6503-02	1
3-2	2056851	PHOTO INTERRUPTER	4127-0901-01	1
3-3	1090663	ACTUATOR	4127-5518-01	1

# EPSON

## EPL-5900L

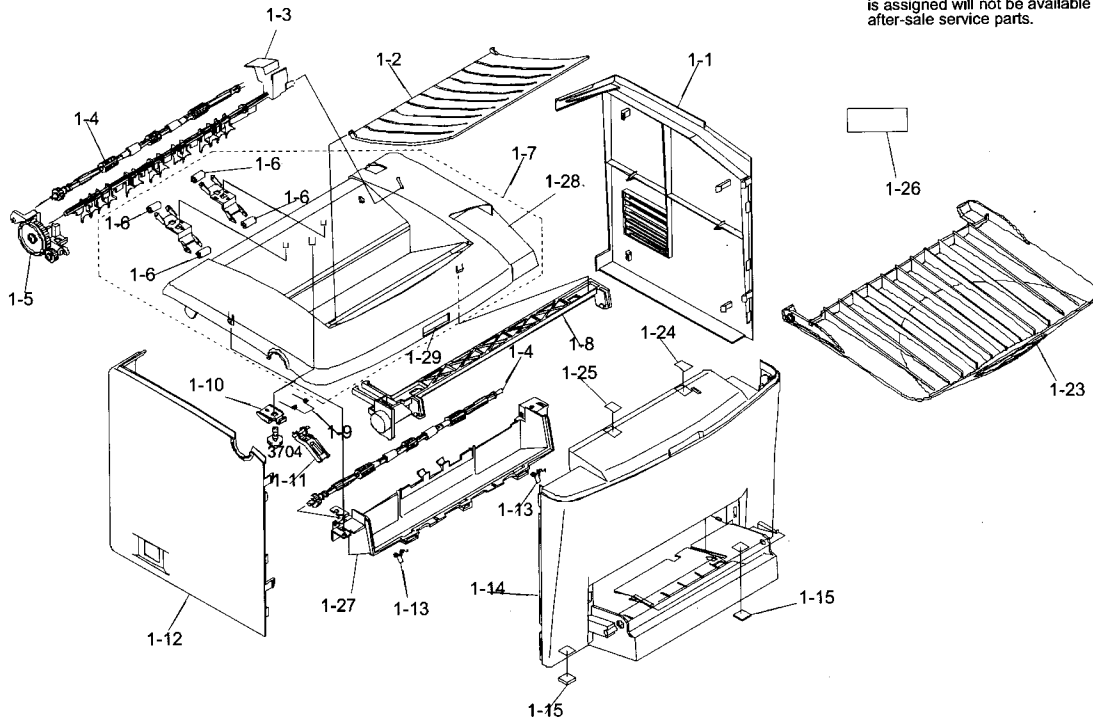
Page 2

REF	PART NO	DESCRIPTION	SPEC	QTY
3-4	1090664	HOLDER	4127-5534-02	1
3-5	1090665	BUSHING	4127-5511-01	2
3-6	1090666	ROLLER	4127-5502-01	1
3-7	1090667	SEPARATOR	4127-5536-01	2
3-8	1090668	SEPARATOR	4127-5533-01	2
3-9	1042716	PRESSURE SPRING	4109-5516-01	4
3-10	1090669	BUSHING	4122-5522-01	1
3-11	2060245	THERMAL SWITCH	4127-6301-01	1
3-12	1090670	FUSING ROLLER	4127-5501-02	1
3-13	1040809	BUSHING	4109-5521-01	1
3-14	2056856	FUSING UNIT 220/240V	4127-0353-02	1
3-15	1084678	ROLL	4127-5516-01	2
3-16	1084679	GEAR	4127-5513-01	1
3-17	1084680	GEAR	4127-5512-01	1
3-18	1084681	SEAL	4127-5550-03	1
4-1	1090671	TORSION SPRING	4127-2013-02	1
4-2	2027752	SWITCH	4109-6305-01	1
4-3	2060246	I/C GUIDE ASSY	4127-0480-01	1
4-4	2057234	DRIVE GEAR ASSY	4127-0302-01	1
4-5	2060247	MOTOR	9314-2001-11	1
4-6	2060249	MICRO-SWITCH	4127-6302-01	1
4-7	1090672	ROLL	4127-3006-01	2
4-8	1084557	TRANSFER ROLLER	4127-4103-02	1
4-9	2056859	TRANSFER GUIDE ASSY	4127-0311-01	1
4-10	2057064	WIRE HARNESS ASSY	4127-6806-01	1
4-12	2057068	WIRE HARNESS ASSY	4127-6811-02	1
5-1	2056860	HV TRANSFORMER	4127-6203-03	1
5-2	2060250	FAN MOTOR	9313-1001-21	1
5-3	1090673	HOLDER	4127-2321-01	1
5-4	2056862	POWER SUPPLY 200V	4127-6202-02	1
5-5	2056864	PRINT HEAD ASSY	4571-0533-02	1
5-6	2057067	WIRE HARNESS ASSY	4127-6804-03	1
5-10	2055898	WIRE HARNESS		1
5-11	2010468	AC CABLE,AS31303SI-A	240V	1
5-200	2055956	BOARD ASSY., MAIN		1
5-201	2048955	BOARD ASSY.,IF	5774A,STANDARD	1
3923	1040800	TAPPING SCREW		1
3504	1004720	TAPPING SCREW		1
1305	1004686	SCREW		1
3704	1015399	TAPPING SCREW		1
3705	1015400	TAPPING SCREW		1
END				

# EPSON

## EPL-5900L

Page 3



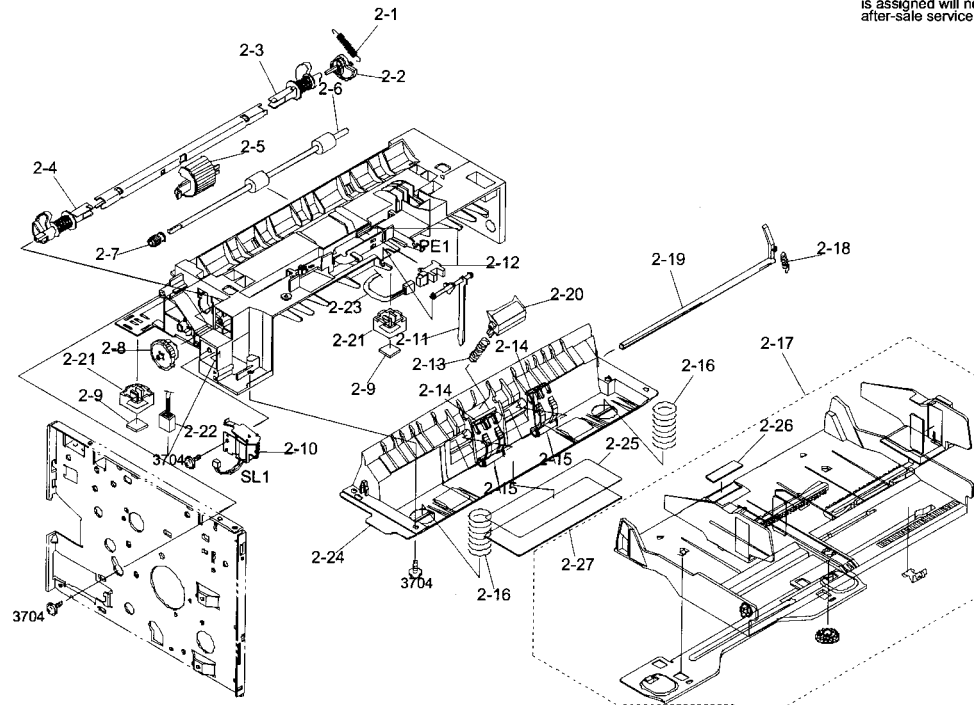
EPL-5900L NO.01 Rev.01 C428

# EPSON

## EPL-5900L

Page 4

The parts to which no reference num  
is assigned will not be available as  
after-sale service parts.



EPL-5900L NO.02

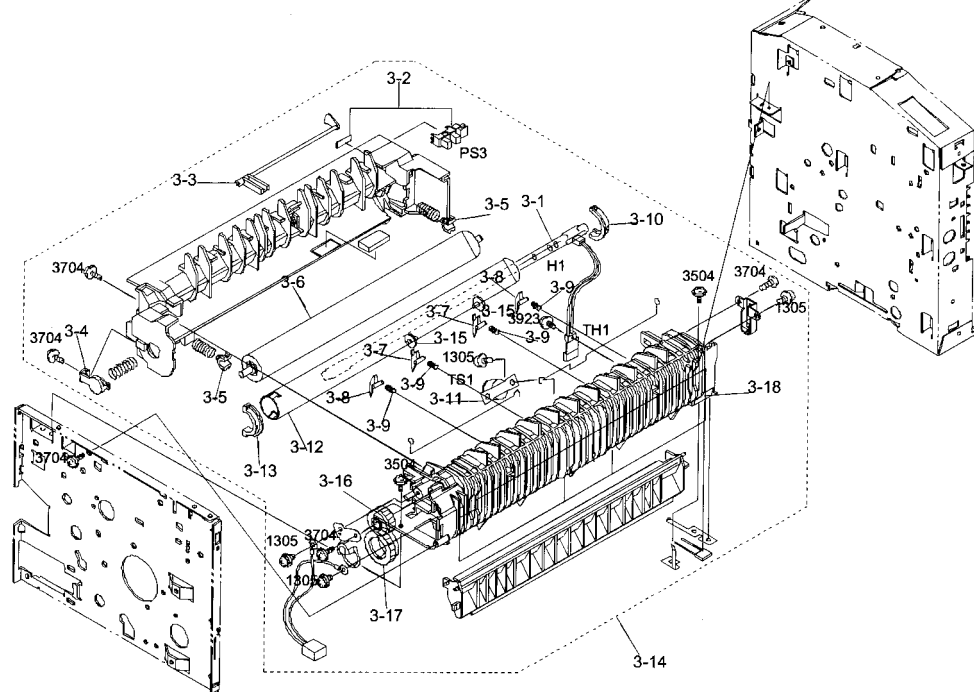
Rev.01 C428

# EPSON

## EPL-5900L

Page 5

The parts to which no reference number is assigned will not be available as after-sale service parts.



EPL-5900L NO.03

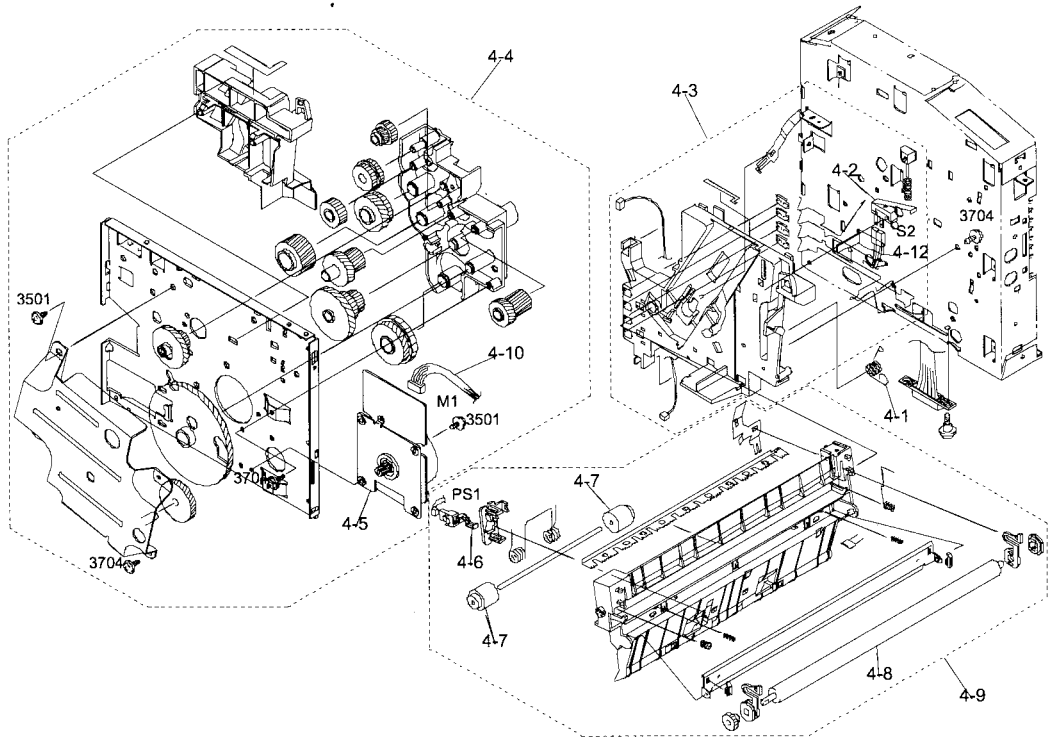
Rev.01 C428

# EPSON

## EPL-5900L

Page 6

The parts to which no reference number is assigned will not be available as after-sale service parts.

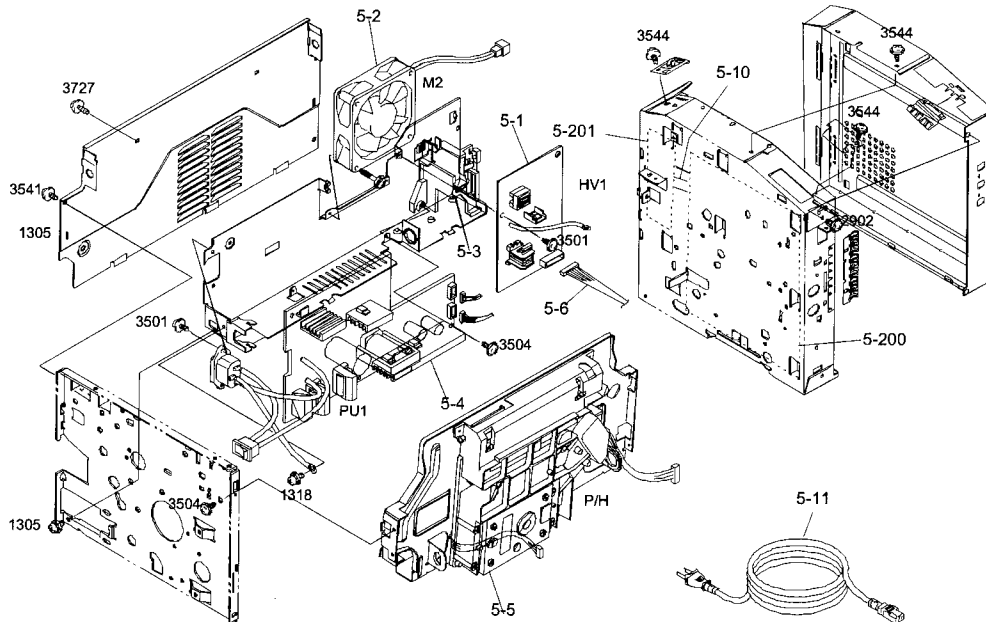


# EPSON

## EPL-5900L

Page 7

The parts to which no reference number is assigned will not be available as after-sale service parts.



EPL-5900L NO.05

Rev.01 C428