

# EPSON

## EPL 5700

### SPARES GUIDES Version 3

(Including Spares Guide for 500-sheet optional Cassette – C812871)

Page 1

REF	PART NO.	DESCRIPTION	SPEC	QTY
1-01	1040689	TOP COVER ASSY		1
1-03	1040690	LEFT COVER		1
1-04	1040691	PLATE SPRING		1
1-05	1040692	FRONT COVER		1
1-06	1040693	TRAY		1
1-07	1040697	CASSETTE BODY		1
1-08	1013911	GEAR 14T		1
1-09	1040698	TABLE		1
1-10	1040699	GUIDE		1
1-11	1040700	GUIDE		1
1-12	1040694	RIGHT COVER		1
1-13	1040701	COVER		1
1-14	1040695	COVER		1
1-15	1040696	TRAY ASSY		1
1-16	1040702	SHEET		1
1-17	1039920	LOGO PLATE	EPL-5700	1
1-450	2026790	CONTROL PANEL		1
2-01	1040703	GUIDE		2
2-02	1040704	ROLLER		2
2-03	1040705	GUIDE LEVER		1
2-04	1040706	GEAR ASSY		1
2-05	1040709	TORSION SPRING		2
2-06	1040710	COVER		1
2-07	1040711	LOCK LEVER		1
2-08	1040712	PLATE		1
2-15	2009400	PHOTO INTERRUPTER		1
3-01	1021636	BUSHING		2
3-02	1040714	CAM		1
3-03	1040715	ROLL		2
3-04	1040716	ROLLER		1
3-05	1040717	ROLLER		1
3-06	1040718	HOLDER		1
3-07	1040719	PRESSURE SPRING		1
3-08	1040720	JOINT		1
3-09	1040721	BUSHING		1
3-10	1040722	GEAR 18T		1
3-11	1040723	SHAFT		1
3-12	1040724	GEAR 36/54T		1
3-13	1040725	GEAR 36T		1
3-14	1040726	SHOULDERED SCREW		1
3-15	2027738	SOLENOID		1
3-16	1040727	TORSION SPRING		1
3-17	1040728	PLATE		1
3-18	1040729	PLATE		1
3-19	1014684	PIN		1
3-20	1040730	LEVER		1
3-21	1040731	TORSION SPRING		1
3-22	1040732	ARM		1
3-23	1040733	SEPARATED PAD		1
3-24	1040734	PRESSURE SPRING		1

# EPSON

## EPL 5700

Page 2

REF	PART NO.	DESCRIPTION	SPEC	QTY
3-25	2027737	PAPER PICK UNIT		1
4-01	1040801	HOLDER		1
4-02	1040802	GEAR 36T		1
4-03	1040803	BUSHING		1
4-04	1040804	FUSING ROLLER-FNT		1
4-05	2028490	TUBE LAMP(HI 230V)		1
4-06	1040805	FUSING ROLLER-RR		1
4-07	1040806	BUSHING		2
4-08	1040807	PRESSURE SPRING		2
4-09	1040808	GUIDE		1
4-10	2027762	HARNES		1
4-11	2027763	HARNES		1
4-13	2027765	ACTUATOR		1
4-14	1040809	BUSHING		1
4-15	1040810	SEPARATOR		4
4-16	1040811	TERMINAL		1
4-17	2027766	THERMISTOR(TH1)		1
4-18	2027767	THERMOSTAT(TS1)		1
4-19	1040813	HOLDER		1
4-20	1040814	GUIDE		1
4-21	1040815	SHEET		1
4-22	1040816	HOUSING ASSY		1
4-23	2028488	FUSING UNIT(230V)		1
5-01	1040735	FRAME		1
5-03	1040737	PLATE		1
5-04	2027740	MOTOR(M1)	1.92V/0.8A/DC	1
5-05	1040738	GEAR 40T		1
5-06	1040739	GEAR 18/50T		1
5-07	1040740	GEAR 20/44T		1
5-08	1040741	GEAR 20/52T		1
5-09	1040742	GEAR 24/30T		1
5-10	1040743	GEAR 20/48T		1
5-11	1040744	GEAR 20/32T		1
5-12	1040745	GEAR 17/42T		1
5-13	1040746	GEAR 26T		1
5-15	1040748	GEAR 17T		1
5-16	1040749	GEAR 27T		1
5-17	1040750	GEAR 18/42T		1
5-18	1040752	GEAR 17/25T		1
5-19	1040753	GEAR 21/56T		1
5-20	1040754	GEAR 20T		1
5-21	1040755	GEAR		1
5-22	1040756	GEAR 22/43T		1
5-23	2027744	PWB-HV		1
5-24	1040757	PLATE		1
5-25	2027745	HARNES		1
5-26	2027746	HARNES		1
5-27	2027747	SWITCH(PS2)		1
5-28	1040758	PRESSURE SPRING		1
5-29	1040759	GUIDE		1
5-30	1040760	GUIDE ASSY		1

# EPSON

## EPL 5700

Page 3

REF	PART NO.	DESCRIPTION	SPEC	QTY
5-31	1040761	GEAR 21T		1
5-32	1040762	BUSHING		1
5-33	1040763	ROLLER		1
5-34	1040764	GUIDE		1
5-35	1040765	BUSHING		1
5-36	1040766	BUSHING		1
5-37	1040767	PRESSURE SPRING		1
5-38	1040768	PORYESTER FILM		1
5-39	1040769	TORSION SPRING		1
5-40	2027748	HARNESS		1
5-41	2027739	DRIVE UNIT		1
5-42	2027743	TRANSFER UNIT		1
6-01	1040770	COVER		1
6-02	2027749	HARNESS		1
6-03	2027750	SWITCH(PE1)		1
6-04	1040771	BRACKET		1
6-05	1040772	HOLDER		2
6-06	1040774	RUBBER FOOT		4
6-07	1040775	POLYESTER FILM		1
6-08	1040776	GUIDE PLATE		1
6-09	2027751	HARNESS		1
6-10	2027752	SWITCH		1
6-11	1040777	BRACKET		1
6-12	1031615	SHOULDERED SCREW		1
6-13	2027754	HARNESS		1
6-14	1040778	PLATE		1
6-15	1040779	COVER		1
6-16	1040780	BRACKET		1
6-17	1040782	GROUND PLATE		2
6-18	1040783	COVER		1
6-19	1040784	PLATE		1
6-20	1040785	WASHER		2
6-21	2027757	PWB SUPPORT 6.35H		1
6-22	2027758	IC		1
6-200	2027613	BOARD ASSY.,MAIN		1
6-250	2028775	BOARD ASSY., MEMORY		1
7-01	1040786	GUIDE		1
7-02	2028487	POWER SUPPLY (PU1 230V)		1
7-03	2002030	POWER CORD	120V	1
7-04	1040787	BRACKET		1
7-05	1040788	GUIDE PLATE		1
7-06	1040789	GUIDE PLATE		1
7-07	1040790	SHEET		2
7-08	1040791	SHEET		1
7-09	1040792	LIFTING PLATE		1
7-10	1040793	HOLDER		1
7-11	1013911	GEAR 14T		1
7-12	2027759	PRINT HEAD UNIT		1
7-13	1040794	HOLDER		1
7-14	1040795	TORSION SPRING		1

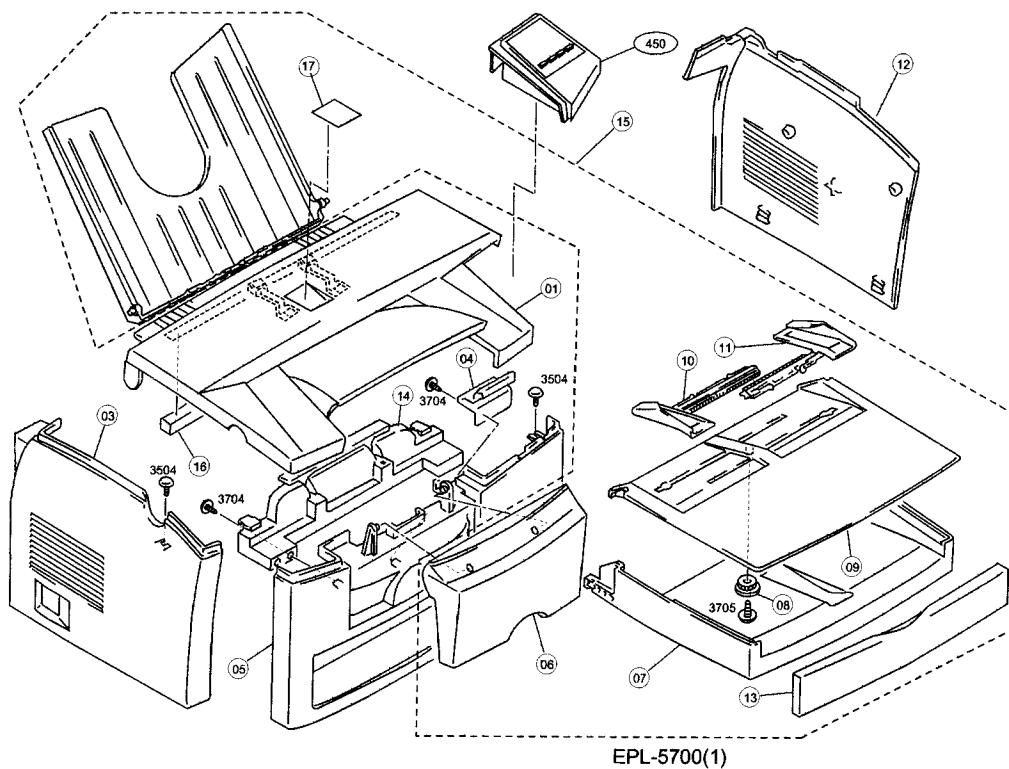
REF	PART NO.	DESCRIPTION	SPEC	QTY
7-15	1040796	WIRING SADDLE 18.5		1
7-16	1015333	EDGE COVER 8.5H		4
7-17	1004683	EDGE COVER 15H		1
601	1040797	PIN		1
1305	1004686	SCREW		3
1308	1028751	SCREW		3
2514	1040798	SCREW		1
2901	1040799	SCREW		1
3501	1012113	TAPPING SCREW		11
3504	1004720	TAPPING SCREW		5
3704	1015399	TAPPING SCREW		19
3705	1015400	TAPPING SCREW		1
3907	1015402	TAPPING SCREW		3
3923	1040800	TAPPING SCREW		1
4011	1028753	TAPPING SCREW		2
4012	1015403	TAPPING SCREW		2
8301	1012098	WASHER		1
8302	1012125	RETAINING RING		1
9109	1015406	RETAINING RING		2
		<b>OPTIONAL 500-SHEET CASSETTE</b>		
		<b>C812871</b>		
1-01	1040880	COVER		1
1-02	2027847	PW BOARD-A(PWB-1)		1
1-03	1040881	PLATE		2
1-04	1014685	BUSHING		2
1-05	2027848	HARNESS		1
1-06	1040882	SHAFT		1
1-07	1033377	SHAFT		1
1-08	1031793	ROLL		2
1-09	1031796	PRESSURE SPRING		2
1-10	1040888	BRACKET		1
1-11		SHAFT	NO PART NO PROVIDED	
1-12	1040890	ROLLER		2
1-13	1040891	BRACKET		1
1-14	1040892	GUIDE		1
1-15	1040893	GUIDE		1
1-16	2027850	HARNESS		1
1-17	1040894	SHAFT		1
1-18	1040895	BUSHING		1
1-19	1040896	BRACKET		1
1-20	1040897	GEAR 15T		1
1-21	1040898	GEAR 26/32T		1
1-22	1040899	GEAR 30T		3
1-23	1040900	GEAR 34T		1
1-24	2022924	SOLENOID		1
1-25	1010709	RUBBER FOOT		4
1-26	1040901	PLATE		1
1-27	1040902	BASE FRAME		1
1-28	1033382	ACTUATOR		1
1-29	1040903	BRACKET		1
1-30	2027851	SWITCH(SW21)		1
1-31	1040940		NO DESC. AVAILABLE	1
1-35	1048447	GUIDE		2
2-01	1040905	PIN		2
2-02	1040906	PAWL		1

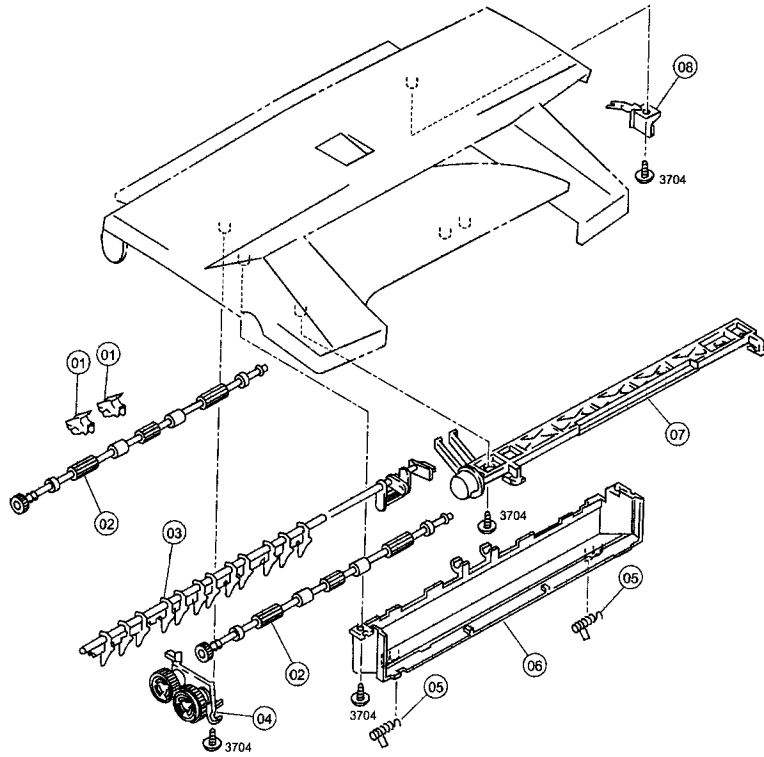
# EPSON

## EPL 5700

Page 5

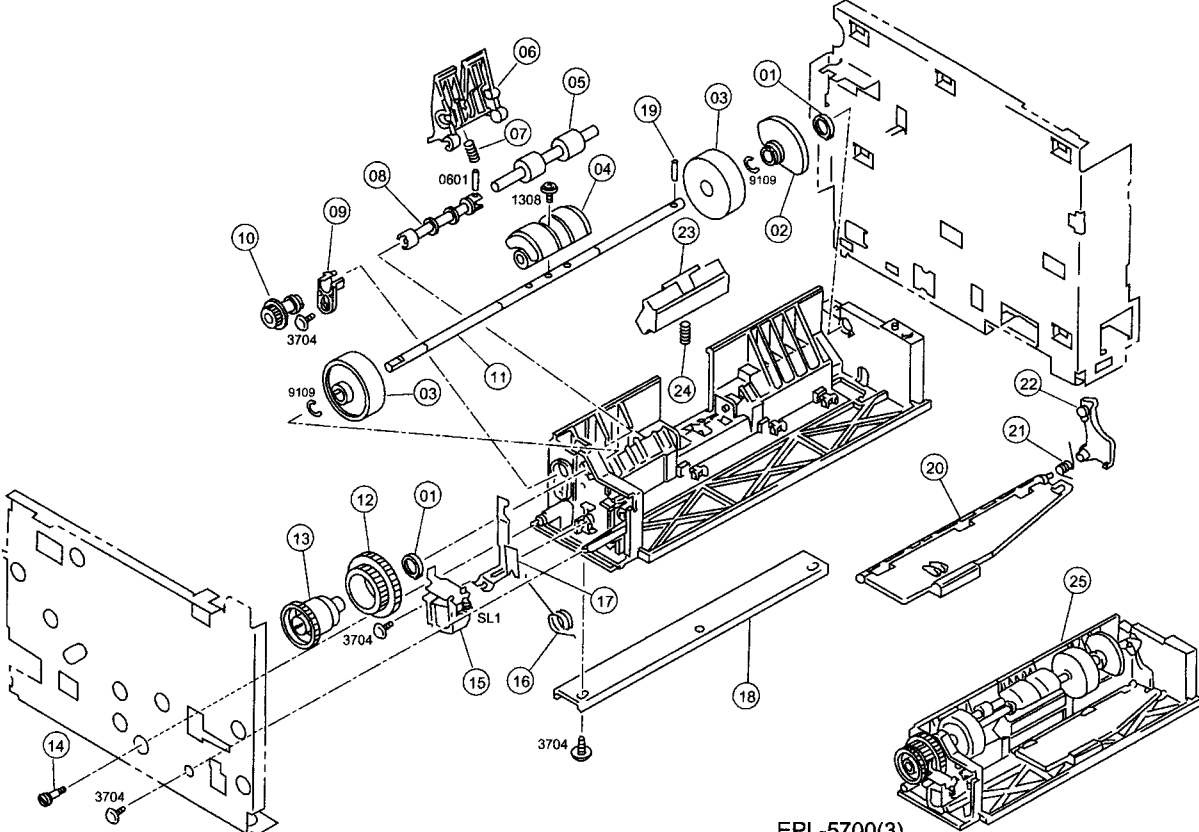
REF	PART NO.	DESCRIPTION	SPEC	QTY
2-03	1040907	GUIDE		1
2-04	1040908	SHEET		2
2-05	1040909	LIFTING PLATE		1
2-06	1040910	FRICTION PLATE		2
2-07	1049293	LOCK LEVER	NOT DRAWN	1
2-08	1040911	PRESSURE SPRING		2
2-09	1040912	GUIDE		1
2-10	1040913	SEPARATOR		1
2-11	1040914	COVER(LTR)		1
2-12	1040915	CASSETTE BODY(A4)		1
2-13	1040916	REGULATING PLATE		1
2-14	1040917	SHEET		2
2-15	1049293	LOCK LEVER		1
2-16	1049294	CAM		1
2-17	1049295	COLLAR		1
2-18	1049296	TORSION SPRING		1
2-19	1049297	LABEL		1
2-20	1049298	WASHER		1
2-21	1049299	SPACER		1
0509	1040918	PIN		1
3501	1012113	TAPPING SCREW		4
3504	1004720	TAPPING SCREW		2
3704	1015399	TAPPING SCREW		9
9107	1004746	RETAINING RING		5
9112	1004747	RETAINING RING		1
END				





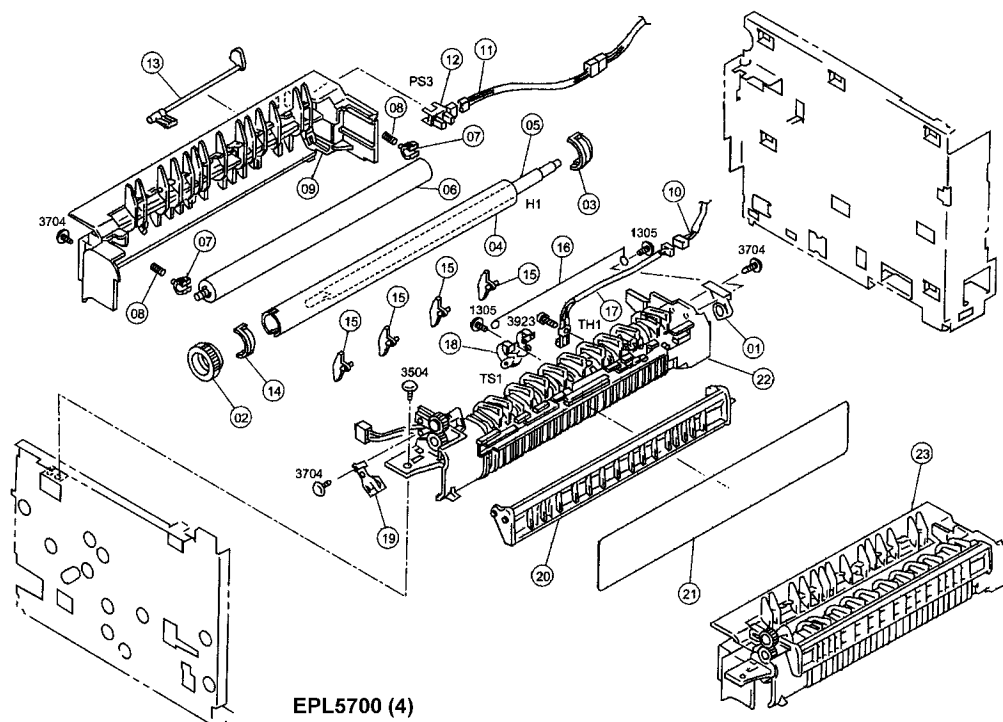
EPL-5700(2)

### PAPER TAKE-UP SECTION



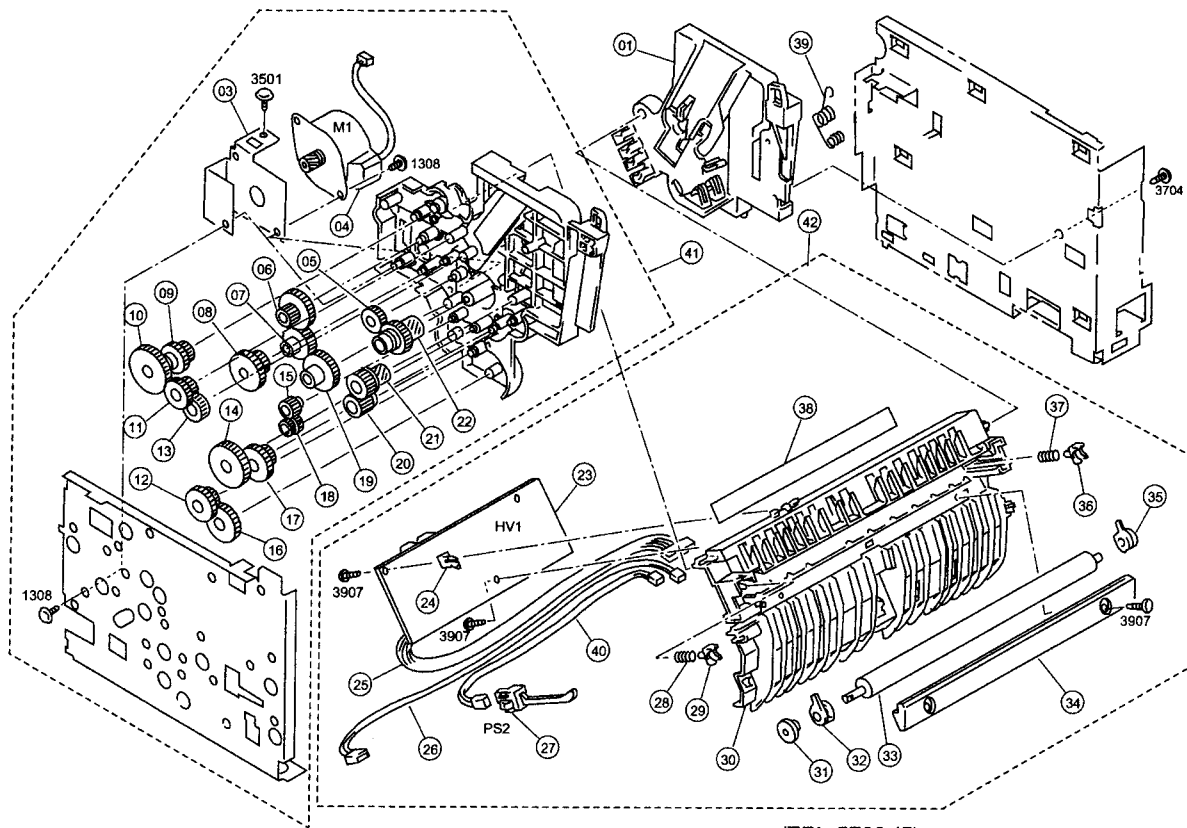
EPL-5700(3)





EPL5700 (4)

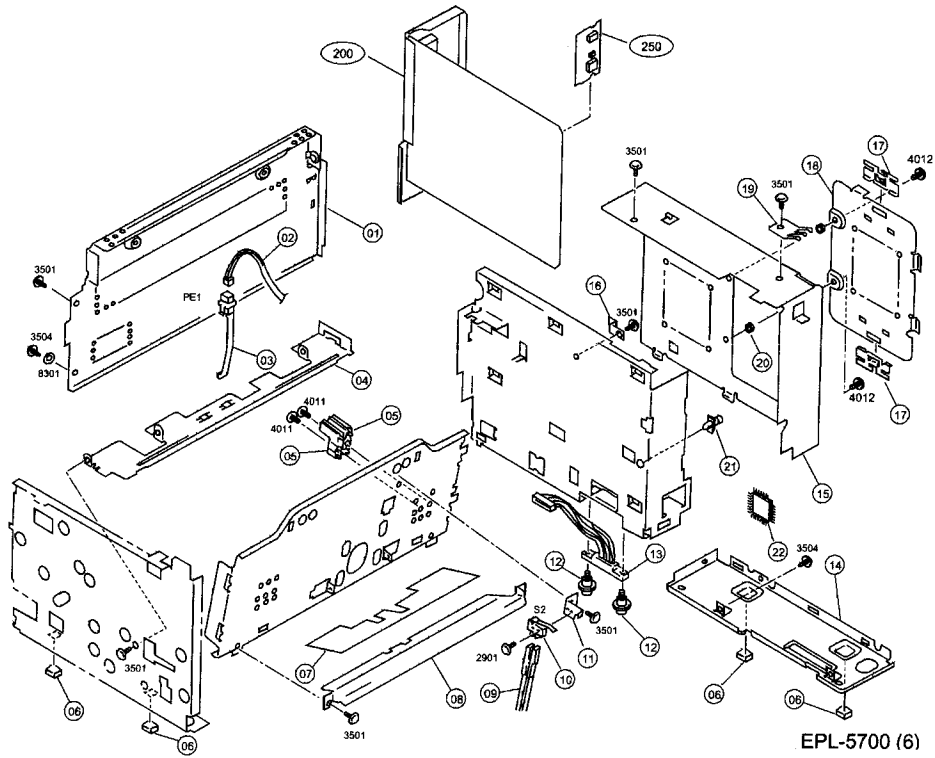
### DRIVE/TRANSFER UNIT

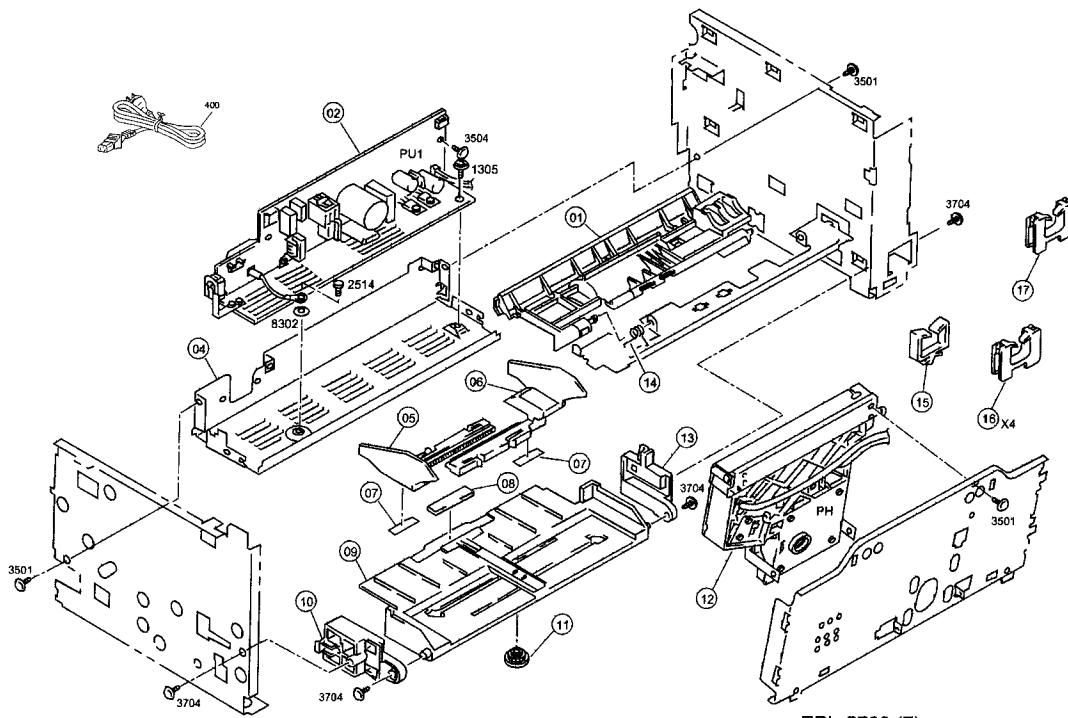


EPL-5700 (5)

# EPSON EPL 5700

Page 11





EPL-5700 (7)

