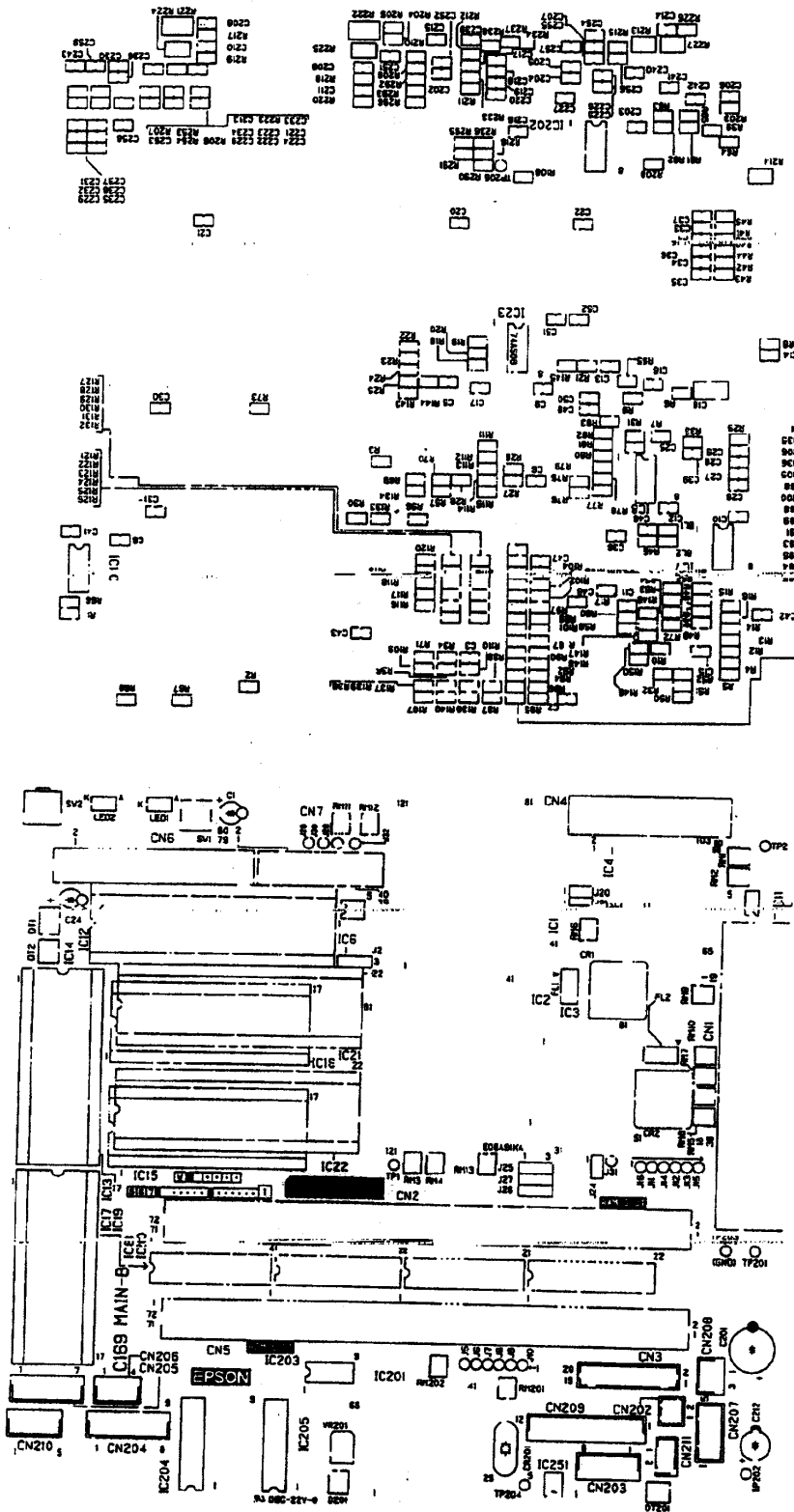


EPSON EPL5500

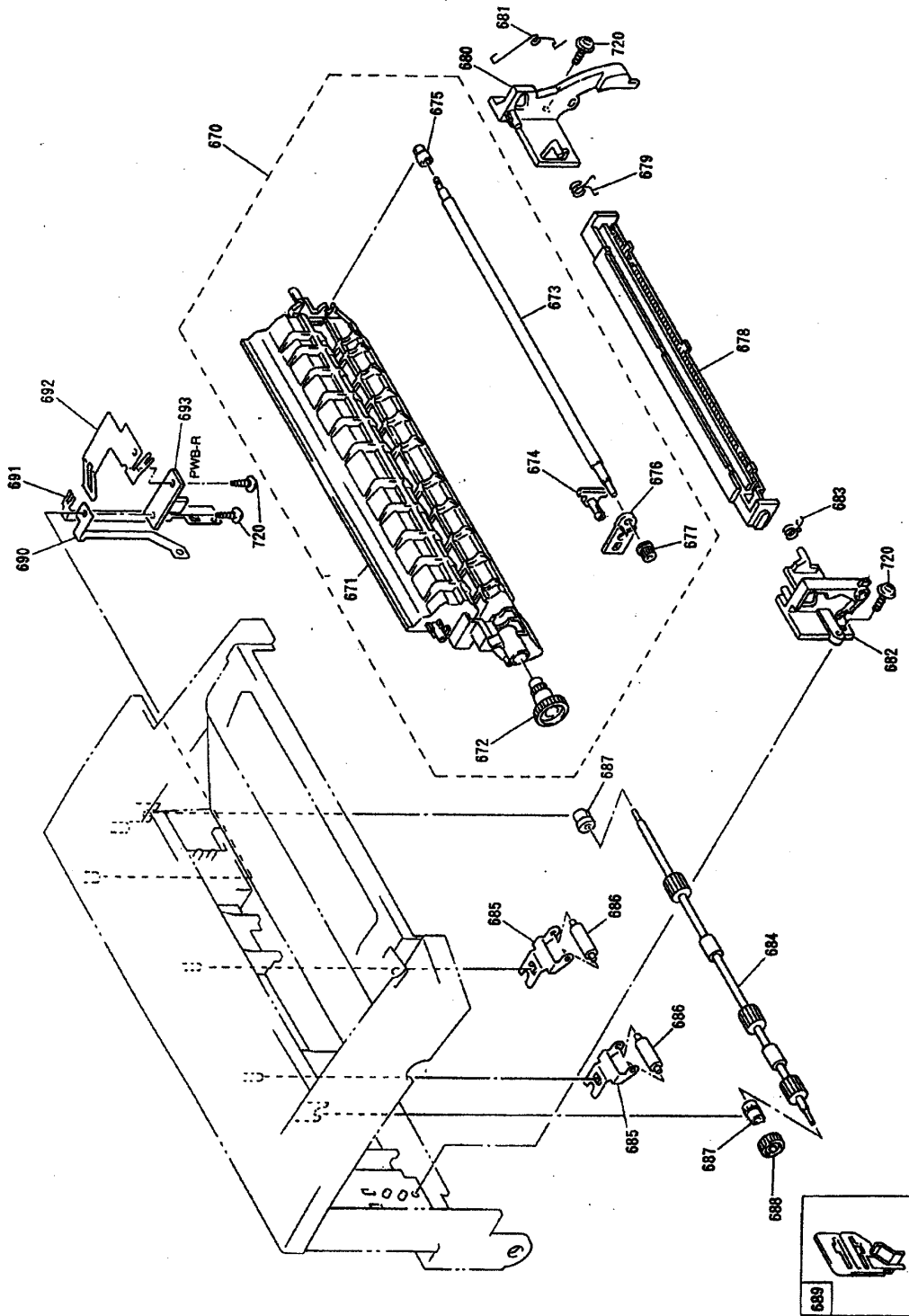
Page 12



EPL5500 MAIN BOARD
Page 15 of 15

EPSON EPL5500

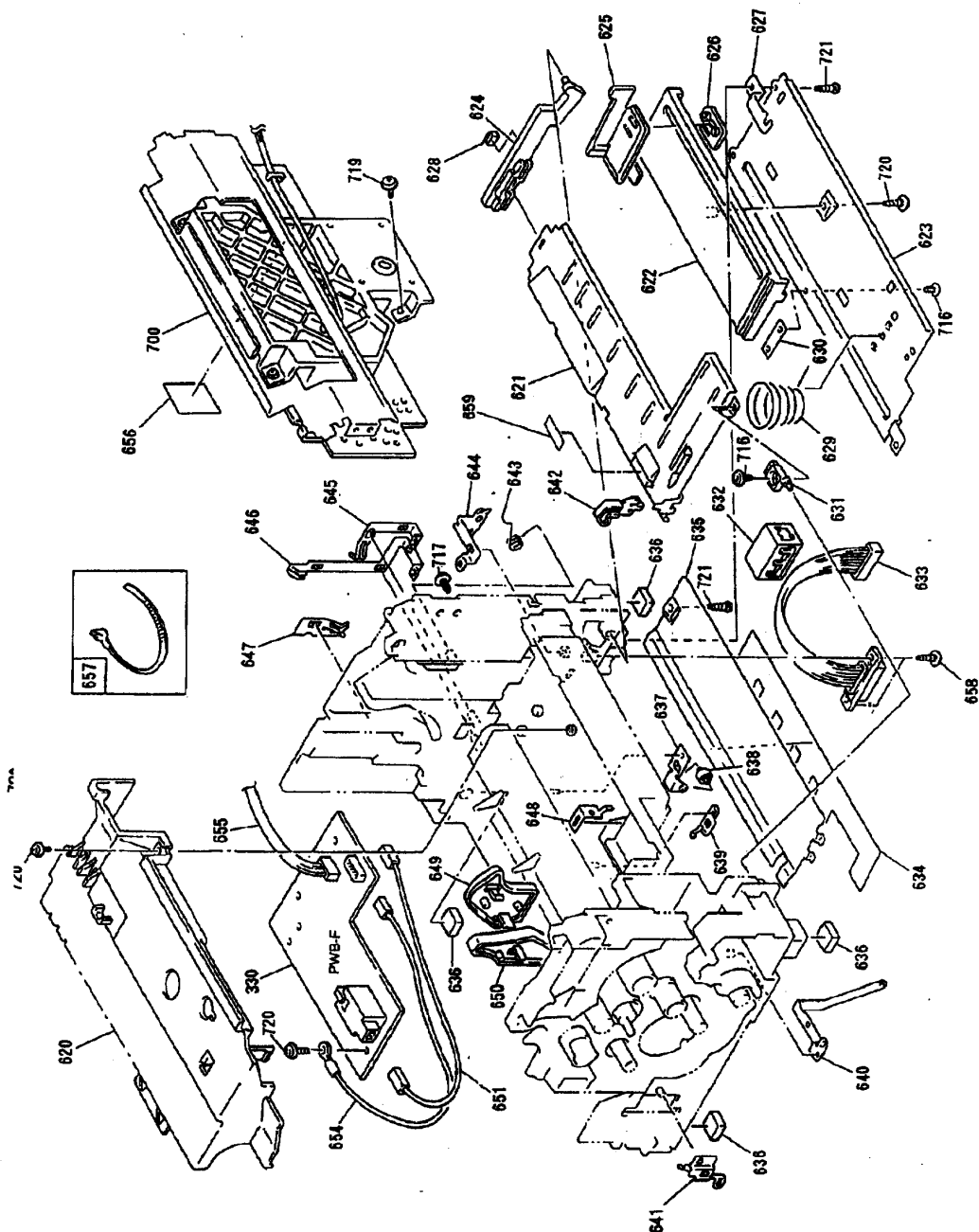
Page 11



**EPL5500 EXPLODED DIAGRAM
FIG.5 REV.A**

EPSON EPL5500

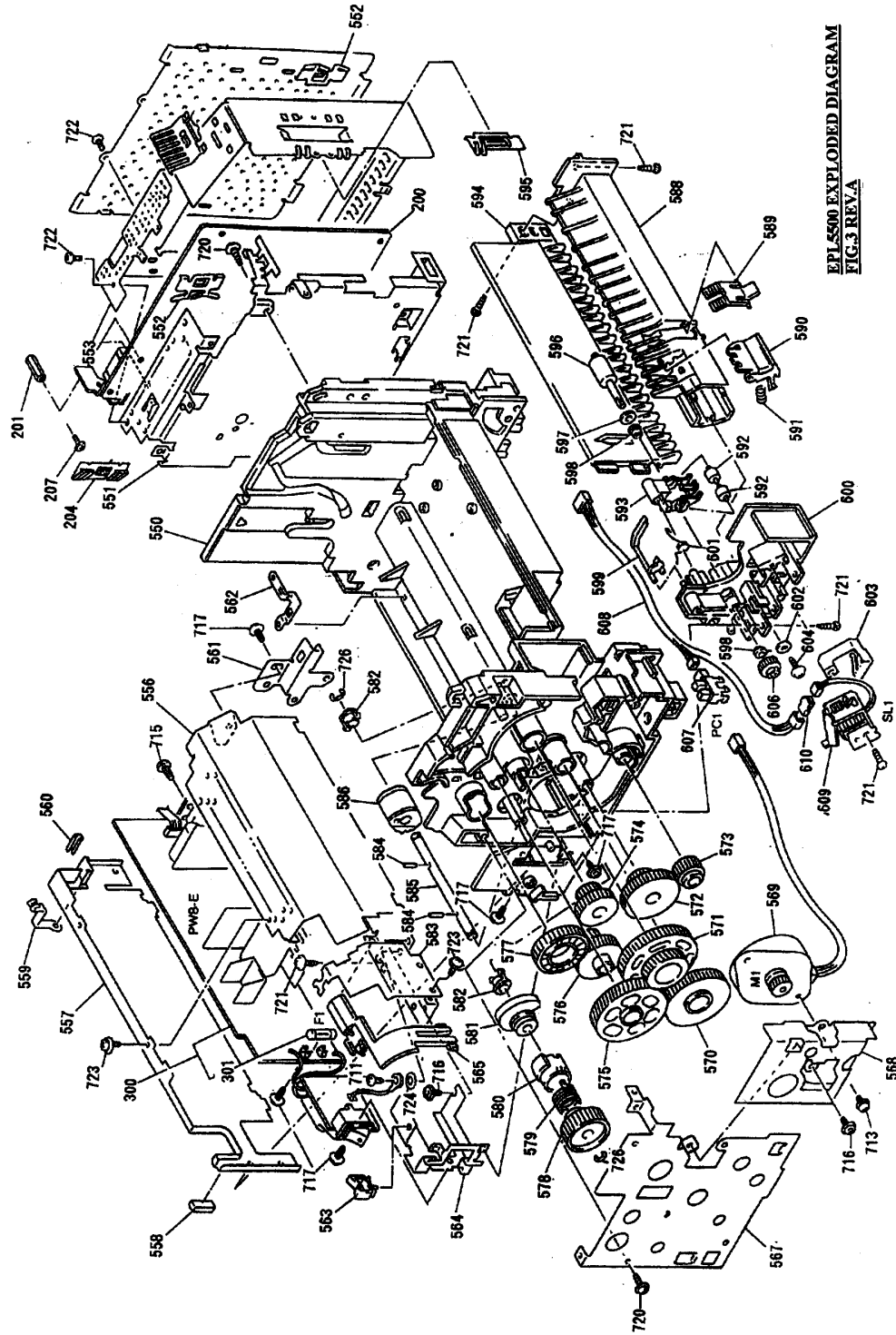
Page 10



**EPL5500 EXPLODED DIAGRAM
FIG.4 REV.A**

EPSON EPL5500

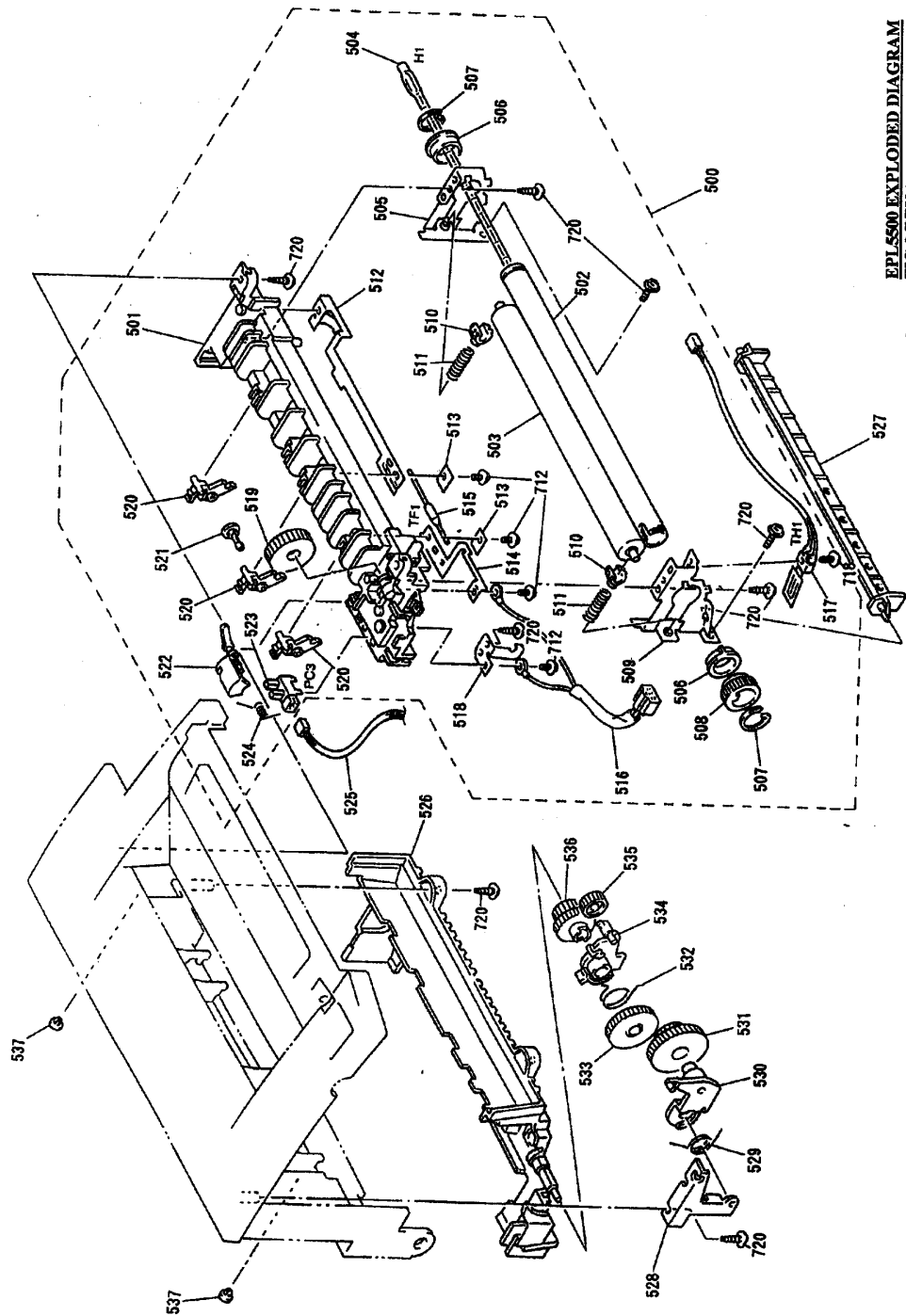
Page 9



EPL5500 EXPLODED DIAGRAM
FIG.3 REV.A

EPSON EPL5500

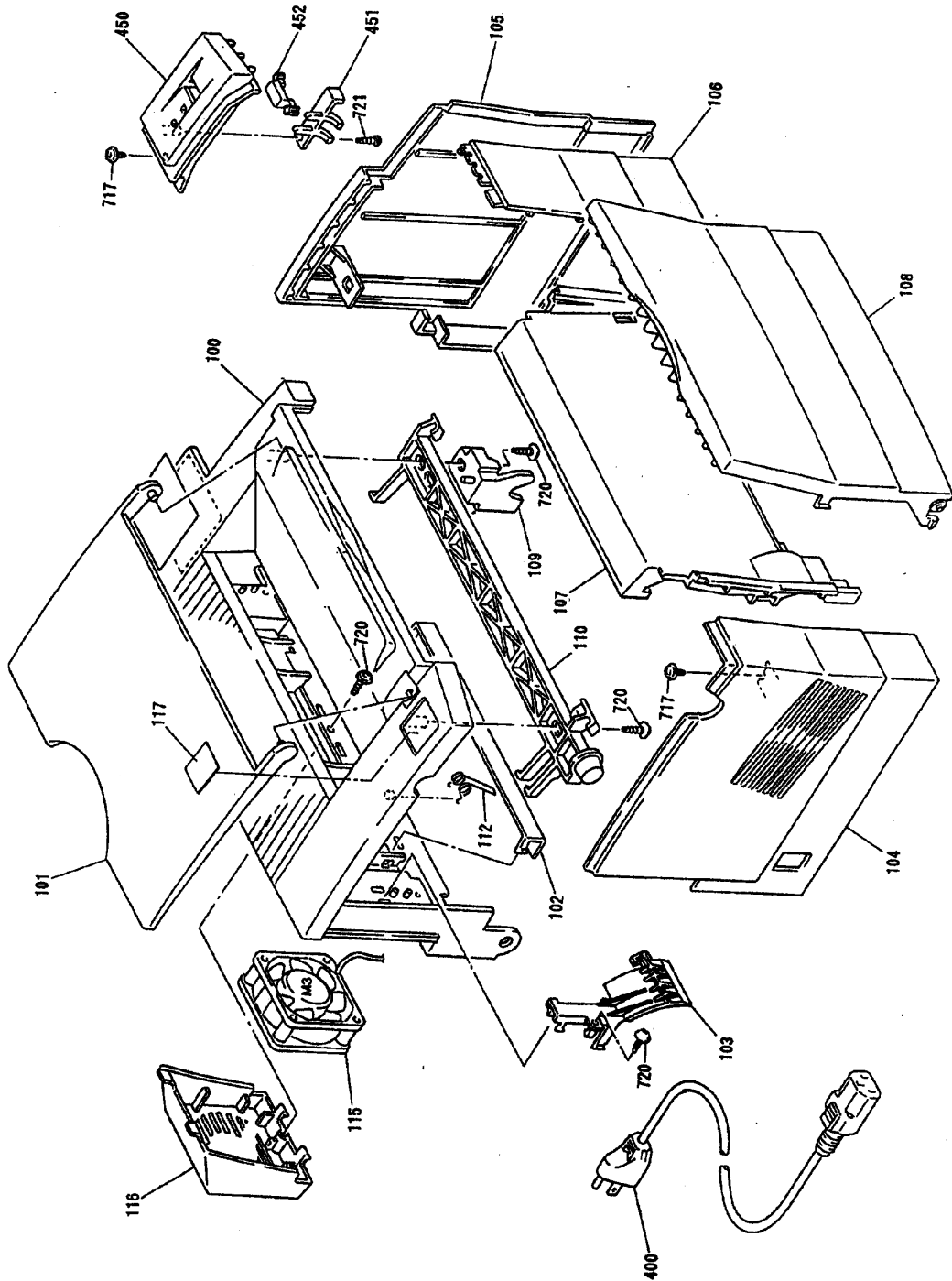
Page 8



**EPL5500 EXPLODED DIAGRAM
FIG.2 REV.A**

EPSON EPL5500

Page 7



EPL5500 EXPLODED DIAGRAM
FIG. 1 REVA

EPSON EPL5500

Page 6

REF	PART	DESC	QUAN	STANDARD
644	1028811	GROUND PLATE	1	
645	1028805	TERMINAL	1	
646	1028804	TERMINAL	1	
647	1028806	TERMINAL	1	
648	1028810	BRACKET	1	
649	1028809	GUIDE	1	
650	1028808	GUIDE	1	
651	2021576	HARNESS	1	
654	2021579	HARNESS	1	
655	2021578	HERNESS	1	
656	1028814	SHEET	1	
657	1028834	CABLE TIE 104L	1	
658	1028813	SHOULDER SCREW	2	
659	1028821	FRICITION SHEET	1	
700	2021119	PRINT HEAD UNIT 600DPI	1	
670	1028230	TRANSFER BEFORE ROLLER UNIT	1	
671	1028179	HOLDER	1	
672	1028186	GEAR 18/21T	1	
673	1028185	ROLLER	1	
674	1028724	STOPPER	1	
675	1028182	BUSHING	1	
676	1028181	BUSHING	1	
677	1028187	GEAR 14T	1	
678	1028180	NEUTRALIZING PLATE	1	
679	1028184	TORSION SPRING	1	
680	1028190	GUIDE-RT	1	
681	1028183	TORSION SPRING	1	
682	1028189	GUIDE-LFT	1	
683	1028191	TORSION SPRING	1	
684	1028717	ROLLER	1	
685	1028719	HOLDER	2	
686	1028718	ROLL	2	
687	1013922	BUSHING	2	
688	1013917	GEAR 15T	1	
689	1028723	COMB CLEANER	1	
690	1028720	GROUND PLATE	1	
691	1028722	GROUND PLATE	1	
692	1028721	GROUND PLATE	1	
693	2021124	PW BOARD-R	1	
711	1004684	SCREW	1	
712	1015392	SCREW	4	
713	1028751	SCREW	1	
715	1028752	TAPPING SCREW	1	
716	1012113	TAPPING SCREW	3	
717	1004720	TAPPING SCREW	8	
718	1028229	TAPPING SCREW	1	
719	1015396	TAPPING SCREW	1	
720	1015399	TAPPING SCREW	21	
721	1015402	TAPPING SCREW	8	
722	1028753	TAPPING SCREW	2	
723	1028754	TAPPING SCREW	2	
724	1012118	WASHER	1	
726	1028701	RETAINING RING	2	
END				

EPSON EPL5500

Page 5

REF	PART	DESC	QUAN	STANDARD
578	1028784	GEAR 40T	1	
579	1028789	CLUTCH SPRING	1	
580	1028787	HOLDER	1	
581	1028782	CAM	1	
582	1028783	BUSHING	2	
583	1028766	FRAME	1	
584	1028794	PIN	2	
585	1028792	SHAFT	1	
586	1028173	ROLLER(TAKE-UP)	1	
588	1028797	GUIDE	1	
589	1028791	STOPPER	1	
590	1028174	SEPARATE PAD(TAKE-UP)	1	
591	1028795	PRESSURE SPRING	1	
592	1028781	ROLL	2	
593	1028793	HOLDER	1	
594	1028800	GUIDE	1	
595	1028769	GROUND PLATE	1	
596	1028176	ROLLER(TRANSPORT)	1	
597	1028801	WASHER	1	
598	1028786	BUSHING	2	
599	1028790	ACTUATOR	1	
600	1028798	HOLDER	1	
601	1028788	TORSION SPRING	1	
602	1028796	WASHER	1	
603	1028799	GROUND PLATE	1	
604	1028765	SHOULDER SCREW	1	
606	1028785	GEAR 16T	1	
607	2009400	PHOTO INTERRUPTER	1	
607	2021121	PHOTO INTERRUPTER	1	
608	2021569	HERNESS	1	
609	1028172	SOLENOID	1	
610	1028842	CONNECTOR	1	
620	1028802	COVER	1	
621	1028803	LIFTING PLATE	1	
622	1028828	COVER	1	
623	1028822	HOLDER	1	
624	1028817	LEVER	1	
625	1028832	REGULATING PLATE	1	
626	1028829	SPACER	1	
627	1028812	GROUND PLATE	1	
628	1028818	ROLL	1	
628	1028827	SPONGE	1	
629	1028820	PRESSURE SPRING	1	
630	1028826	PLATE	1	
631	1028819	SUPPORT	1	
632	1028833	FERRITE CORE	1	
633	2021577	HARNESS	1	
634	1028831	SHEET	1	
635	1028830	GUIDE PLATE	1	
636	1014674	RUBBER FOOT	4	
637	1028824	HOLDER	1	
639	1028825	PLATE SPRING	1	
640	1028815	PLATE SPRING	1	
641	1028816	PLATE SPRING	1	
642	1028823	CAM	1	
643	1028807	TORSION SPRING	1	

EPSON

EPL5500

Page 4

REF	PART	DESC	QUAN	STANDARD
507	1025564	C-RING	2	
508	1028218	GEAR 30T	1	
509	1028227	FRAME-LFT	1	
510	1013949	BUSHING	2	
511	1028220	PRESSURE SPRING	2	
512	1028225	TERMINAL	1	
513	1013807	SUPPORT PLATE	2	
514	1028226	TERMINAL	1	
515	2009407	THERMAL FUSE	1	
516	2021126	HARNESS	1	
517	2021129	THERMISTOR	1	
518	1028224	TERMINAL	1	
519	1028214	GEAR 40T	1	
520	1028219	SEPARATOR	3	
521	1013964	SEPARATOR ROLL	1	
522	1028221	ACTUATOR	1	
523	2021121	PHOTO INTERRUPTER	1	
524	1028222	TORSION SPRING	1	
525	2021127	HARNESS	1	
526	1028726	COVER	1	
527	1028736	GUIDE	1	
528	1028735	HOLDER	1	
529	1028734	TORSION SPRING	1	
530	1028733	ARM	1	
531	1028727	GEAR 25/50T	1	
532	1028732	TORSION SPRING	1	
533	1028728	GEAR 44T	1	
534	1028731	LEVER	1	
535	1028730	GEAR 22T	1	
536	1028729	GEAR 21/38T	1	
537	1028725	PIN	2	
550	1028755	BASE	1	
551	1028768	FRAME-RT	1	
552	1028771	PLATE SPRING	2	
553	1028770	COVER	1	
556	1028762	FRAME	1	
557	1028756	REAR FRAME	1	
558	1028761	STOPPER	1	
559	1028772	GROUND PLATE	1	
560	1028760	EDGE COVER	1	
562	1028758	GROUND PLATE	1	
563	1028767	PLATE NUT	1	
563	1028843	WIRING SADDLE 13.0H	1	
564	1028763	BRACKET	1	
565	1028764	COVER	1	
567	1028757	LEFT FRAME	1	
568	1028759	HEAT-SINK	1	
569	2021122	MOTOR	1	
570	1028777	GEAR 29/65T	1	
571	1028773	GEAR 44/109T	1	
572	1028779	GEAR 22/57T	1	
573	1028780	GEAR 29T	1	
574	1028778	GEAR 20/41T	1	
575	1028774	GEAR 25/72T	1	
576	1028776	GEAR 22/45T	1	
577	1028775	GEAR 50T	1	

EPSON EPL5500

Page 3

REF	PART	DESC	QUAN	STANDARD
R207,R208,	2001529	CHIP RESISTOR	2	2.2K OHM 1/10W 5%
R21	2010750	CHIP RESISTOR	1	
R210	2005059	CHIP RESISTOR	1	3K OHM 1/10W 5% TP
R211,R237	X193011032	CHIP RESISTOR	2	10K OHM 1/10W 5%
R212	2001529	CHIP RESISTOR	1	2.2K OHM 1/10W 5%
R213,R214	X193412212	CHIP RESISTOR	2	220 OHM 1/4W 5%
R216,R226,	2001538	CHIP RESISTOR	2	47K OHM 1/10W 5%
R217,R218	2005470	CHIP RESISTOR	2	56K OHM 1/10W 5%
R219,R220	X193011022	CHIP RESISTOR	2	1K OHM 1/10W 5%
R22-R25,	2005213	CHIP RESISTOR	4	33 OHM 1/10W 5%
R221,R222	2019450	CHIP RESISTOR	2	TP,1OHM,1/2W,+5%,
R223	X193011042	CHIP RESISTOR	1	100K OHM 1/10W 5%
R224,R225	2019449	CHIP RESISTOR	2	TP,2.7OHM,1/4W,+5%,
R227	2005419	CHIP RESISTOR	1	
R233,R234	X193014722	CHIP RESISTOR	2	4.7K OHM 1/10W 5%
R236	2001538	CHIP RESISTOR	1	47K OHM 1/10W 5%
R238,R295	X193011032	CHIP RESISTOR	2	10K OHM 1/10W 5%
R253	2001526	CHIP RESISTOR	1	680 OHM 1/10W 5%
R254,R209	X193011022	CHIP RESISTOR	2	1K OHM 1/10W 5%
R27,R34	X193011032	CHIP RESISTOR	2	10K OHM 1/10W 5%
R28,R33,	2001519	CHIP RESISTOR	2	68 OHM 1/10W 5%
R290-R293	X193011032	CHIP RESISTOR	4	10K OHM 1/10W 5%
R296	X193011032	CHIP RESISTOR	1	10K OHM 1/10W 5%
R30-R32	X193011032	CHIP RESISTOR	3	10K OHM 1/10W 5%
R35,R59	X193011032	CHIP RESISTOR	2	10K OHM 1/10W 5%
R36-R38,	2001519	CHIP RESISTOR	3	68 OHM 1/10W 5%
R39,	2001531	CHIP RESISTOR	1	3.3 OHM 1/10W 5%
R4,R5	2007133	CHIP RESISTOR	2	91 OHM 1/10W 5%
R40-R46,	2001519	CHIP RESISTOR	7	68 OHM 1/10W 5%
R50-R52,	2001531	CHIP RESISTOR	3	3.3 OHM 1/10W 5%
R6,R7,R9	2001519	CHIP RESISTOR	3	68 OHM 1/10W 5%
R60,R108	X193011032	CHIP RESISTOR	2	10K OHM 1/10W 5%
R61-R65	2001531	CHIP RESISTOR	5	3.3 OHM 1/10W 5%
R66,R215,	2001538	CHIP RESISTOR	2	47K OHM 1/10W 5%
R67,R68	X193013312	CHIP RESISTOR	2	330 OHM 1/10W 5% TP
R69-R72	X193011032	CHIP RESISTOR	4	10K OHM 1/10W 5%
R75-R107,	2001519	CHIP RESISTOR	33	68 OHM 1/10W 5%
R8,R17,R29	X193011022	CHIP RESISTOR	3	1K OHM 1/10W 5%
SW2	2004871	SWITCH	1	4 12V 50MA
VR201	2015013	CHIP TRIMMER POTENTIOMETER	1	TP,10KOHM,1/10W,+25%,
450	1025868	PANEL COVER	1	
451	1025869	PLATE	1	
452	1025870	KEY TOP	1	
300	2021149	PWB-PU 220/240V	1	
300	2021150	POWER-PU 120V	1	
301	2021580	FUSE 5A	1	
301	2021581	FUSE 10A	1	
330	2021120	PWB-HV(WITH IC)	1	
400	2003009	POWER CORD	1	240V
500	1028232	FUSING UNIT 220/240V	1	
501	1028217	HOLDER	1	
502	1028215	FUSING ROLLER-UPR	1	
503	1028216	FUSING ROLLER-LWR	1	
504	2021132	TUBE LAMP(220/240V)	1	
505	1028228	FRAME-RT	1	
506	1028223	BUSHING	2	

EPSON EPL5500

Page 2

REF	PART	DESC	QUAN	STANDARD
C217-C238	X273121021	CHIP CAPACITOR	22	TP 1000PF 50V 10%
C239-C241,	2005084	CHIP CAPACITOR	3	0.01UF 50V 10%
C242,C243,	2008129	CHIP CAPACITOR	2	0.1UF 25V
C25,C30,	2008129	CHIP CAPACITOR	2	0.1UF 25V
C253	2020429	CHIP CAPACITOR	1	TP,4700PF,50V,+10%,
C254,C255,	2005084	CHIP CAPACITOR	2	0.01UF 50V 10%
C259,C215,	2008129	CHIP CAPACITOR	2	0.1UF 25V
C26-C29	2008127	CHIP CAPACITOR	4	470PF 50V 10% TP
C31,C38,	2008129	CHIP CAPACITOR	2	0.1UF 25V
C32-C37	2009202	CHIP CAPACITOR	6	TP,100PF,50V,+5%,
C39,C202,	2008129	CHIP CAPACITOR	2	0.1UF 25V
C41-C43,	2008129	CHIP CAPACITOR	3	0.1UF 25V
C46-C50,	2008129	CHIP CAPACITOR	5	0.1UF 25V
DT1,DT2	2015034	TRANSISTOR	2	25V,0A,0W,0,0,
DT201,	2015034	TRANSISTOR	1	25V,0A,0W,0,0,
FL1,FL2	2012959	NOISE FILTER	2	
IC1	2019463	MICROPROCESSOR	1	
IC11	2014681	EEPROM	1	SOP,1K BIT,8
IC12	X630114230	IC SOCKET	1	42 PIN
IC13,IC14,	X630113230	IC SOCKET	2	32 PIN
IC15,IC16	X630113230	IC SOCKET	2	32 PIN
IC17,IC18	2015039	DRAM	2	4M BIT
IC2	2012963	GATE ARRAY M60073-5700FP	1	
IC201	2021705	MICROCONTROLLER	1	M38072M2-102FP
IC202	X462700206	C-MOS IC	1	QUAD 2-IN NOR FLAT-TP
IC203	2015031	TRANSISTOR ARRAY	1	50V,500MA,625MW,
IC204,	2019090	HIC	1	
IC205	2019090	HIC	1	
IC3	2012964	GATE ARRAY M66348FP	1	
IC4	2012965	GATE ARRAY SLA915SF0Y	1	
IC6	2003700	IC	1	8 PIN
IC7	X422350079	TTL-IC	1	HEX BUF/DRV OC HI-VOCT
IC8,IC10	2008099	TTL-IC	2	SOP 14
LED1	2020335	CHIP LED	1	0V,0MA,0MW,
LED2	2020336	CHIP LED	1	0V,0MA,0MW,
RM1,RM2,	2009211	CHIP RESISTOR ARRAY	2	68 OHM 1/16W 5%
RM11,RM13	2009211	CHIP RESISTOR ARRAY	2	68 OHM 1/16W 5%
RM201	2007897	CHIP RESISTOR ARRAY	1	3.3K OHM 1/16W 5%
RM202	2011254	RESISTOR ARRAY	1	
RM3,RM4	2012957	CHIP RESISTOR ARRAY	2	
RM5,	2007899	CHIP RESISTOR ARRAY	1	1K OHM 1/16W 5%
RM6,RM12	2007898	CHIP RESISTOR ARRAY	2	10K OHM 1/16W 5%
RM7	2009208	CHIP RESISTOR ARRAY	1	100 OHM 1/16W 5%
RM8-RM10	2007899	CHIP RESISTOR ARRAY	3	1K OHM 1/16W 5%
R1,R3,R10	X193011032	CHIP RESISTOR	3	10K OHM 1/10W 5%
R109-R140,	2001519	CHIP RESISTOR	32	68 OHM 1/10W 5%
R11,R26	X193011032	CHIP RESISTOR	2	10K OHM 1/10W 5%
R12-R16	2001520	CHIP RESISTOR	5	100 OHM 1/10W 5%
R143,R144,	2001519	CHIP RESISTOR	2	68 OHM 1/10W 5%
R146-R150	2001519	CHIP RESISTOR	5	68 OHM 1/10W 5%
R18,R20,	2010750	CHIP RESISTOR	2	
R19	X193012202	CHIP RESISTOR	1	22 OHM 1/10W 5%
R203	2020798	CHIP RESISTOR	1	TP,3KOHM,1/10W,+1%,
R204	2004277	CHIP RESISTOR	1	39K OHM
R205	2001534	CHIP RESISTOR	1	6.8K OHM 1/10W 5%
R206	2005213	CHIP RESISTOR	1	33 OHM 1/10W 5%

EPSON EPL5500

Page 1

REF	PART	DESC	QUAN	STANDARD
100	1028739	TOP COVER	1	
101	1028742	TRAY	1	
102	1028749	COVER	1	
103	1028748	COVER	1	
104	1028744	LEFT COVER	1	
105	1028745	RIGHT COVER	1	
106	1028746	FRONT COVER-RT	1	
107	1028740	FRONT COVER	1	
108	1028743	TRAY	1	
109	1028737	ACTUATOR	1	
110	1028741	LOCK LEVER	1	
112	1028738	TORSION SPRING	1	
115	2021123	FAN MOTOR	1	
116	1028747	DUCT	1	
117	1026434	LOGO PLATE	1	
200	2020241	BOARD ASSY.,MAIN	1	
201	1002992	SPACER	2	
203	1025605	HEAT SINK	1	IC204,IC205
204	1025748	GROUNDING SPRING,BRKT.	1	
207	B010303311	C.B.SCREW	2	M3X6
208	B010303411	C.B.SCREW	1	M3X8 IC204, IC205
IC13	2020514	EP-ROM,27C4001-10	1	4M BIT
IC14	2020515	EP-ROM,27C4001-10	1	4M BIT
IC15	2020516	EP-ROM,27C4001-10	1	4M BIT
IC16	2020517	EP-ROM,27C4001-10	1	4M BIT
BL1	2015751	CHIP BEADS CORE	1	
BL2	2016467	FERRITE CHIP	1	
CN1	2012956	CON. 57RE-40360-830B(D7A)	1	
CN2	2015119	CONNECTOR	1	72,
CN202	2016184	CONNECTOR	1	2,
CN203	2019455	CONNECTOR	1	6,
CN204	2019457	CONNECTOR	1	8,
CN205	2019456	CONNECTOR	1	7,
CN206	2019454	CONNECTOR	1	4,
CN207	2019459	CONNECTOR	1	5,
CN208	2003175	CONNECTOR	1	3PIN
CN209	2019458	CONNECTOR	1	12,
CN210	2003180	CONNECTOR	1	5,
CN211	X600720201	CONNECTOR	1	2P
CN4	2019460	CONNECTOR	1	60,
CN5	2015128	CONNECTOR	1	72,
CR1	2019468	QUARTZ OSCILLATOR	1	7154.72KHZ,
CR2	2019467	QUARTZ OSCILLATOR	1	45MHZ,
CR201	2016753	QUARTZ OSCILLATOR	1	
C1,C24	2017590	ELECTROLYTIC CAPACITOR	2	TP,1UF,50V,+/-20%,
C18	2006229	EMI FILTER	1	
C2-C17,	2008129	CHIP CAPACITOR	16	0.1UF 25V
C20,C21,	2008129	CHIP CAPACITOR	2	0.1UF 25V
C201	2020242	ELECTROLYTIC CAPACITOR	1	BL,220UF,16V,+/-20%,
C203,C258,	2008129	CHIP CAPACITOR	2	0.1UF 25V
C204,C205	2012510	CHIP CAPACITOR	2	
C207	2013381	CHIP CAPACITOR	1	
C208-C211	2008518	CHIP CAPACITOR	4	820PF 50V 10% TP
C212	X200464709	ALUM ELYTIC CAP.	1	47UF 35V 20% TP
C213	2019452	CHIP CAPACITOR	1	TP,0.022UF,25V,+/-10%,
C214,C206,	X273121021	CHIP CAPACITOR	2	TP 1000PF 50V 10%
C216,C256	2005084	CHIP CAPACITOR	2	0.01UF 50V 10%