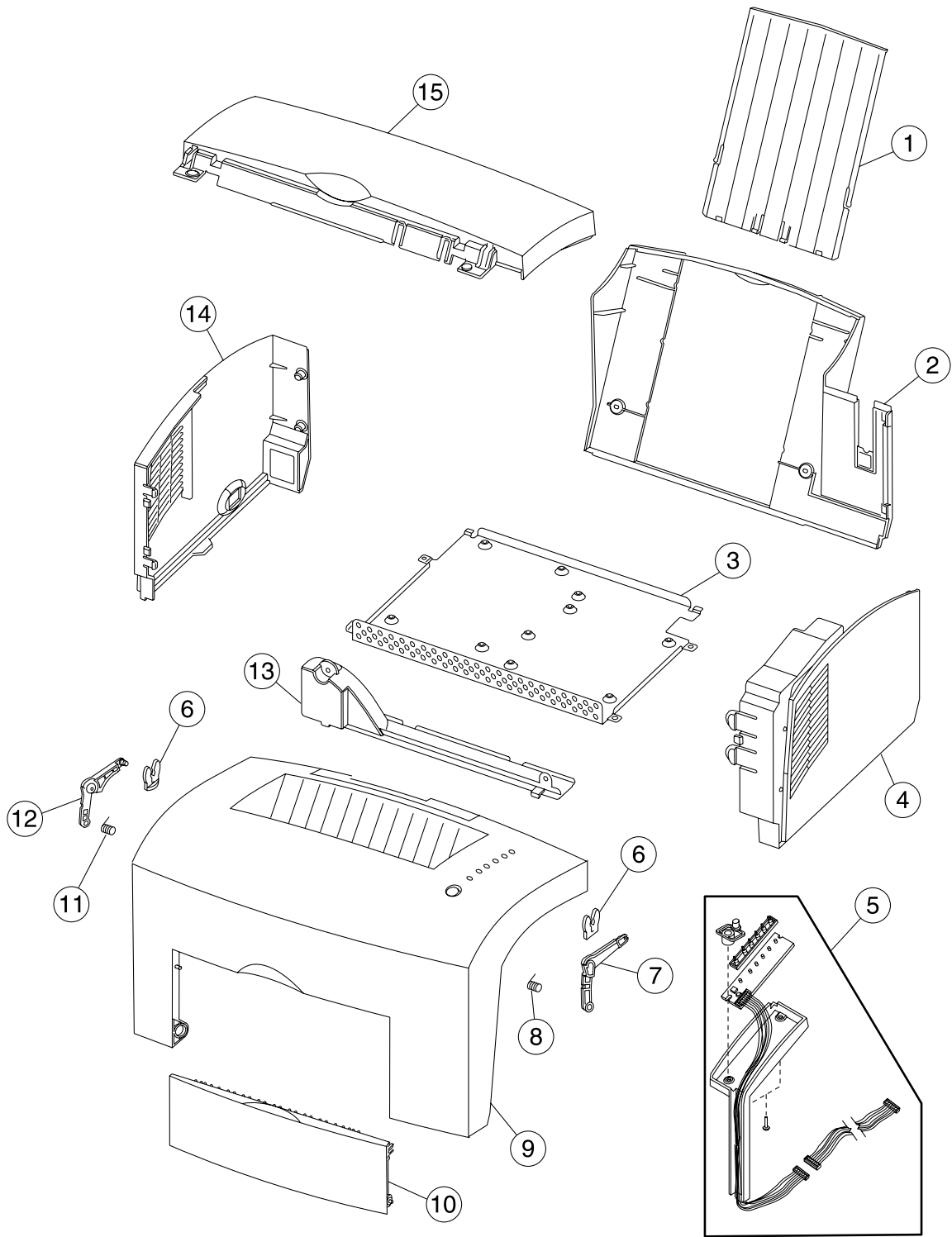


Assembly 1: Covers (E320/E322)

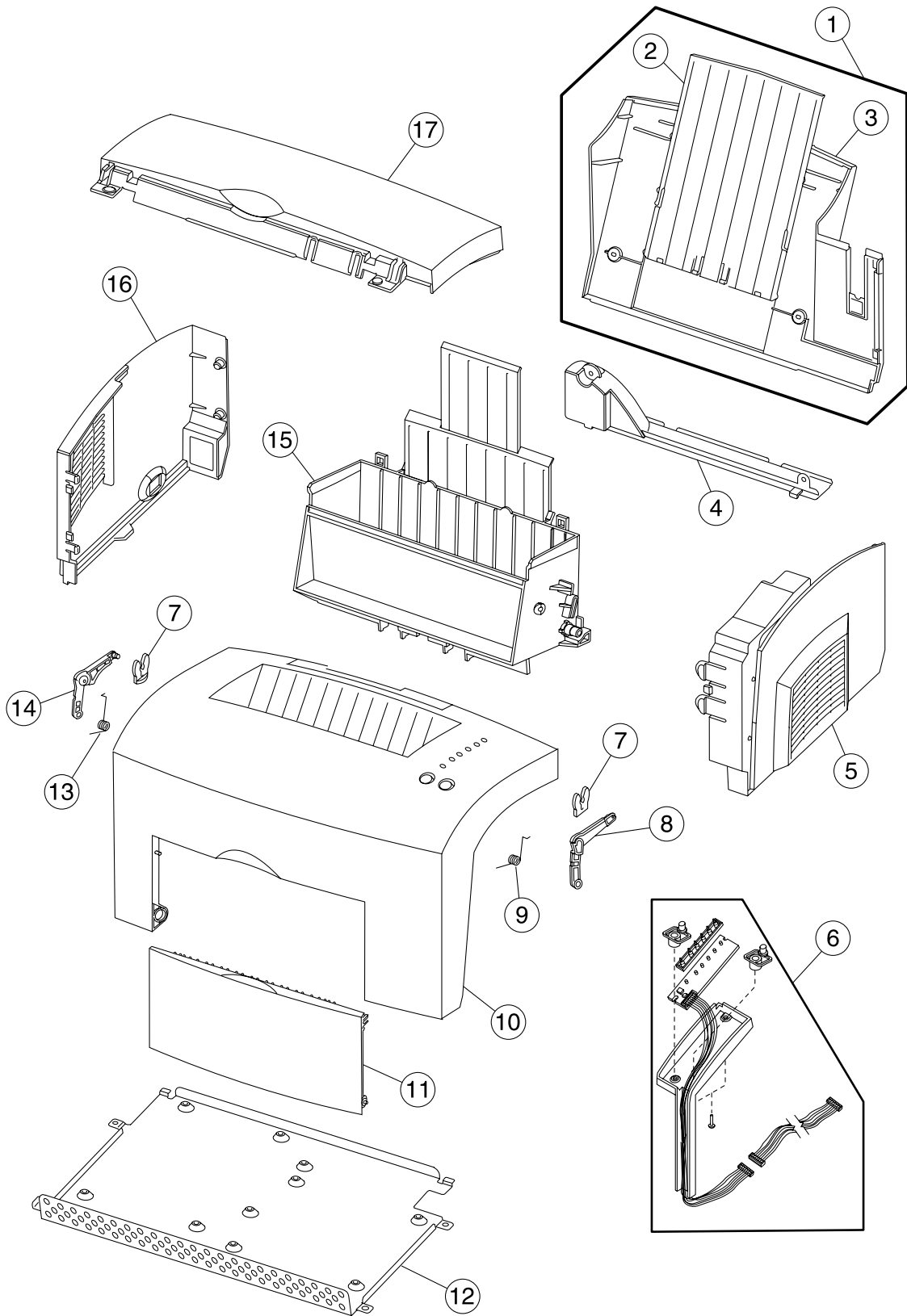


Assembly 1: Covers (E320/E322)

Asm-index	Part number	Units	Description
1-1	12G4456	1	Extension, tray
2	12G4455	1	Cover, rear
3	12G4458	1	Cover, bottom
4	12G4453	1	Cover, right side
5	12G4457	1	Assembly, operator panel
6*	56P1099	1	Parts pack, bushings clip spring
7	56P2373	1	Hinge, right
8	12G4535	1	Spring, front cover right
9	12G4543	1	Cover, front-E320
9	12G4542	1	Cover, front-E322
10	12G4450	1	Cover, access
11	12G4536	1	Spring, front cover left
12	56P2374	1	Hinge, left
13	12G4459	1	Duct, cooling
14	12G4451	1	Cover, left side
15	12G4452	1	Cover, top
NS	12G0176	1	Cover, media

* Contact Lexmark for availability.

Assembly 1 (cont.): Covers (E220/E321/E323)

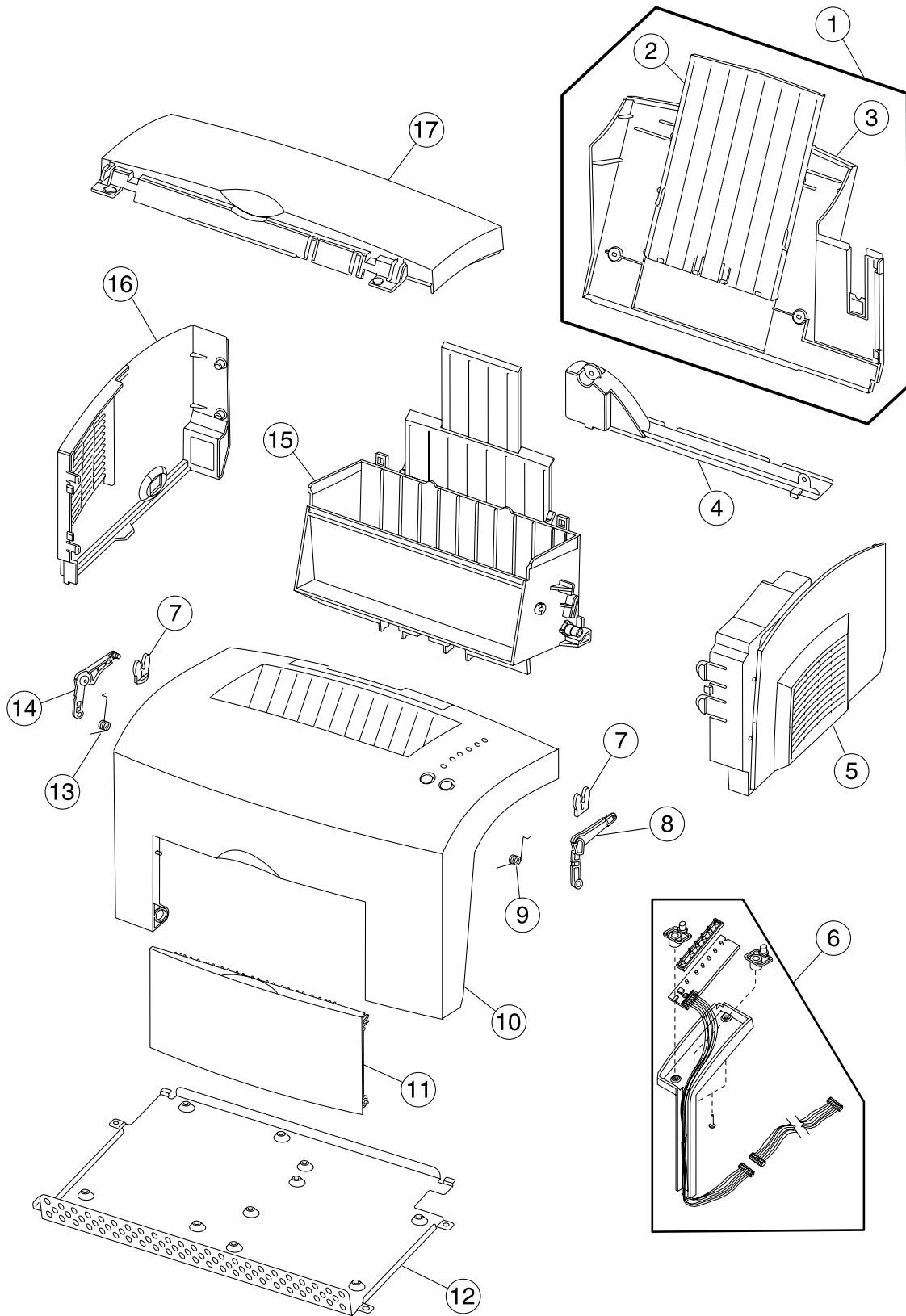


Assembly 1 (cont.): Covers (E220/E321/E323)

Asm-index	Part number	Units	Description
1-1*	56P1078	1	Assembly, cover, rear
2	12G4456	1	Extension, tray (white)
3	12G4455	1	Cover, rear (white)
4*	56P1086	1	Duct, cooling
4	12G4459	1	Duct, cooling (white)
5*	56P1050	1	Cover, right side
5*	56P1084	1	Cover, right side (white)
6	56P1051	1	Assembly, operator panel
6	56P0683	1	Assembly, operator panel (white)
6	56P1839	1	Assembly, operator panel (E220)
6	56P1838	1	Assembly, operator panel (E220) (white)
7*	56P1099	1	Parts pack, bushings clip spring
8	56P2373	1	Hinge, right
9	12G4535	1	Spring, front cover right
10*	56P1837	1	Cover, front – E220
10*	56P1836	1	Cover, front – E220 (white)
10*	56P1064	1	Cover, front – E321
10*	56P1065	1	Cover, front – E323
10*	56P1095	1	Cover, front, E321 (white)
10*	56P1096	1	Cover, front, E323 (white)
11*	56P1075	1	Cover, access
11	12G4450	1	Cover, access (white)
12	12G4458	1	Cover, bottom
13	12G4536	1	Spring, front cover left
14	56P2374	1	Hinge, left

* Contact Lexmark for availability.

Assembly 1 (cont.): Covers (E220/E321/E323)

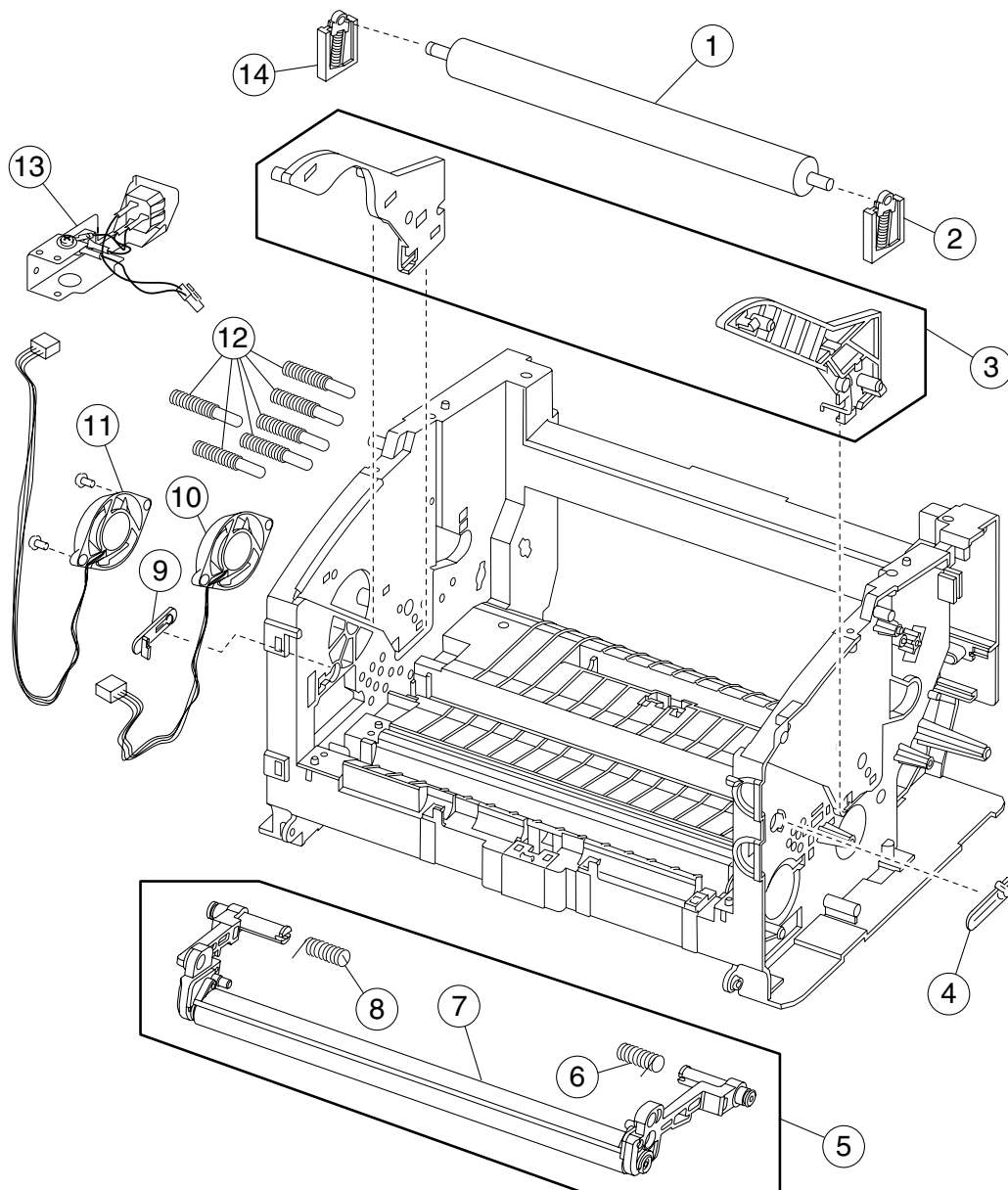


Assembly 1 (cont.): Covers (E220/E321/E323)

Asm-index	Part number	Units	Description
15*	56P1094	1	Assembly, paper guide with exit tray (black)
15*	56P1091	1	Assembly, paper guide with exit tray (white)
16*	56P1076	1	Cover, left side
16	12G4451	1	Cover, left side (white)
17*	56P1077	1	Cover, top
17*	12G4452	1	Cover,top (white)
NS	12G0176	1	Cover, media

* Contact Lexmark for availability.

Assembly 2: Frame

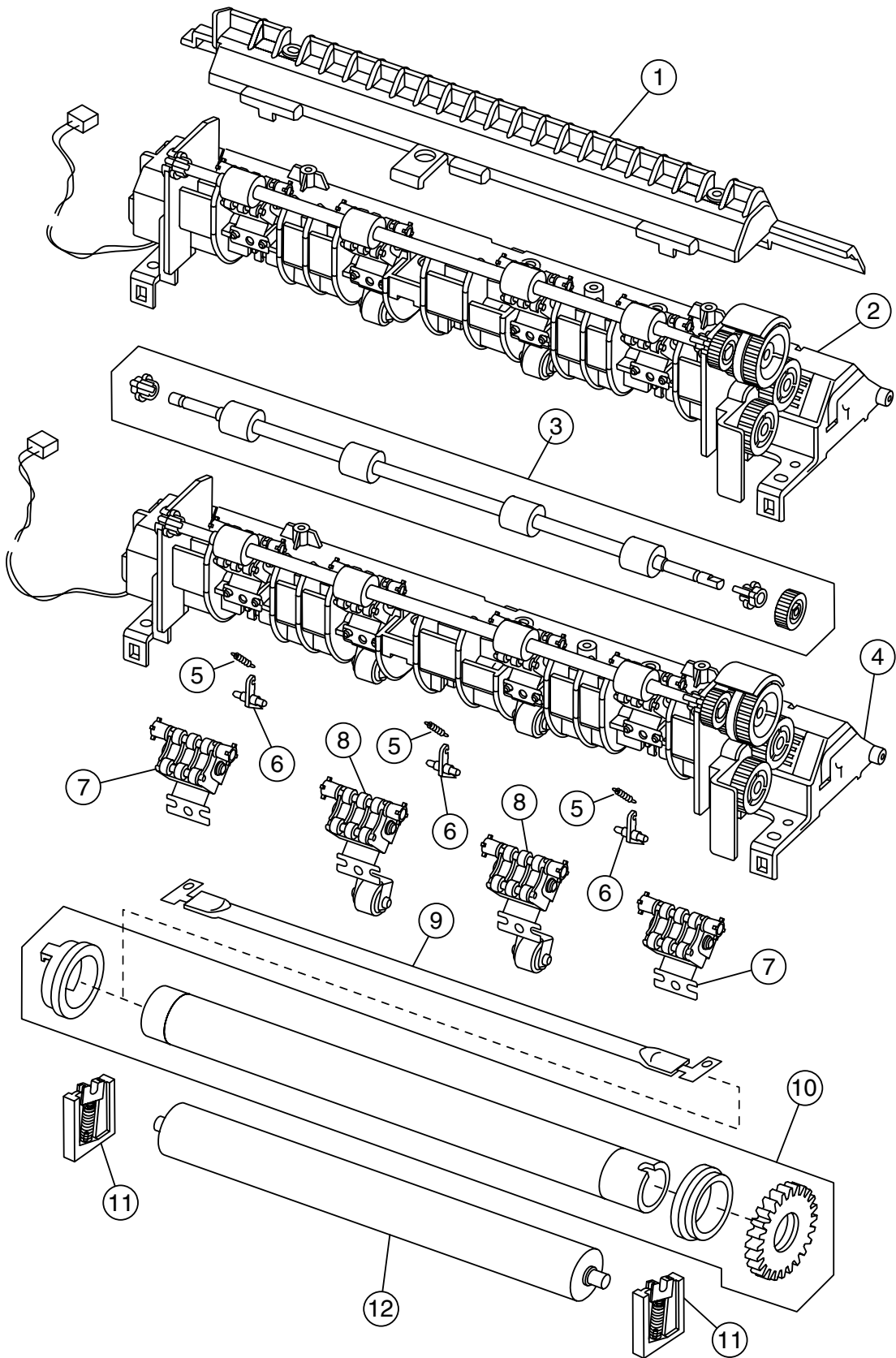


Assembly 2: Frame

Asm-index	Part number	Units	Description
2-1	12G4470	1	Roll, transfer
2	12G4471	1	Bearing, transfer
3	12G4473	1	Bill of material (B/M), rail (E320/E322 only)
3*	56P1085	1	B/M, rail (E220/E321/E323 only)
4	12G4534	1	Bracket, right
5	56P0685	1	Assembly, charge roll
6	12G4464	1	Spring, charge roll right
7	99A1017	1	Roll, charge
8	12G4463	1	Spring, charge roll left
9	12G4533	1	Bracket, left
10	12G4460	1	Fan, cooling (E320/E322 only)
11*	56P1052	1	Fan, cooling (E220/E321/E323)
12	12G4510	6	Spring, HVPS (6/FRU)
13	12G4461	1	Switch asm., power (white-110V)
13*	56P1092	1	Switch asm., power (black-110V)
13*	56P0687	1	Switch asm., power (white-220V)
13*	56P0688	1	Switch asm., power (black-220V)
14	56P0199	1	Bearing, left transfer

* Contact Lexmark for availability.

Assembly 3: Fuser

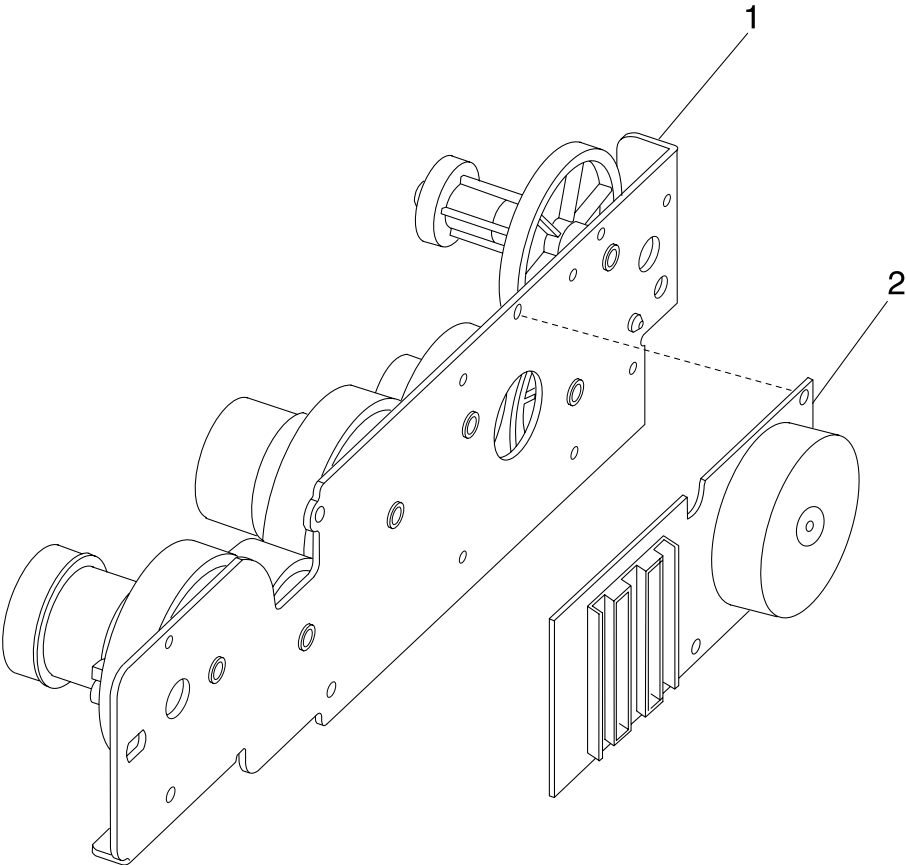


Assembly 3: Fuser

Asm-index	Part number	Units	Description
3-1	12G4488	1	Cover, fuser (E320/E322 only)
1*	56P1082	1	Cover, fuser (E220/E321/E323 only)
2	12G4484	1	Fuser assembly, 110 V (E320/E322 only)
2	12G4486	1	Fuser assembly, 220 V (E320/E322 only)
3	12G4493	1	Roller, exit, redrive
4	56P1053	1	Fuser assembly, 110 V (E220/E321/E323 only)
4	56P1054	1	Fuser assembly, 220 V (E220/E321/E323 only)
5*	56P1099	3	Parts pack, bushings/clip spring
6	12G4495	3	Pawl, detack (1 each)
7	12G4496	4	Roll assembly, idler (1 each)
8	12G4492	2	Roller, exit, idler (1 each)
9	12G4485	1	Lamp, fuser, 110 V
9	12G4487	1	Lamp, fuser, 220 V
10	12G4491	1	Roll, fuser, hot
11	12G4489	2	Bearing, backup roll
12	12G4494	1	Roll, fuser, backup

* Contact Lexmark for availability.

Assembly 4: Main drive



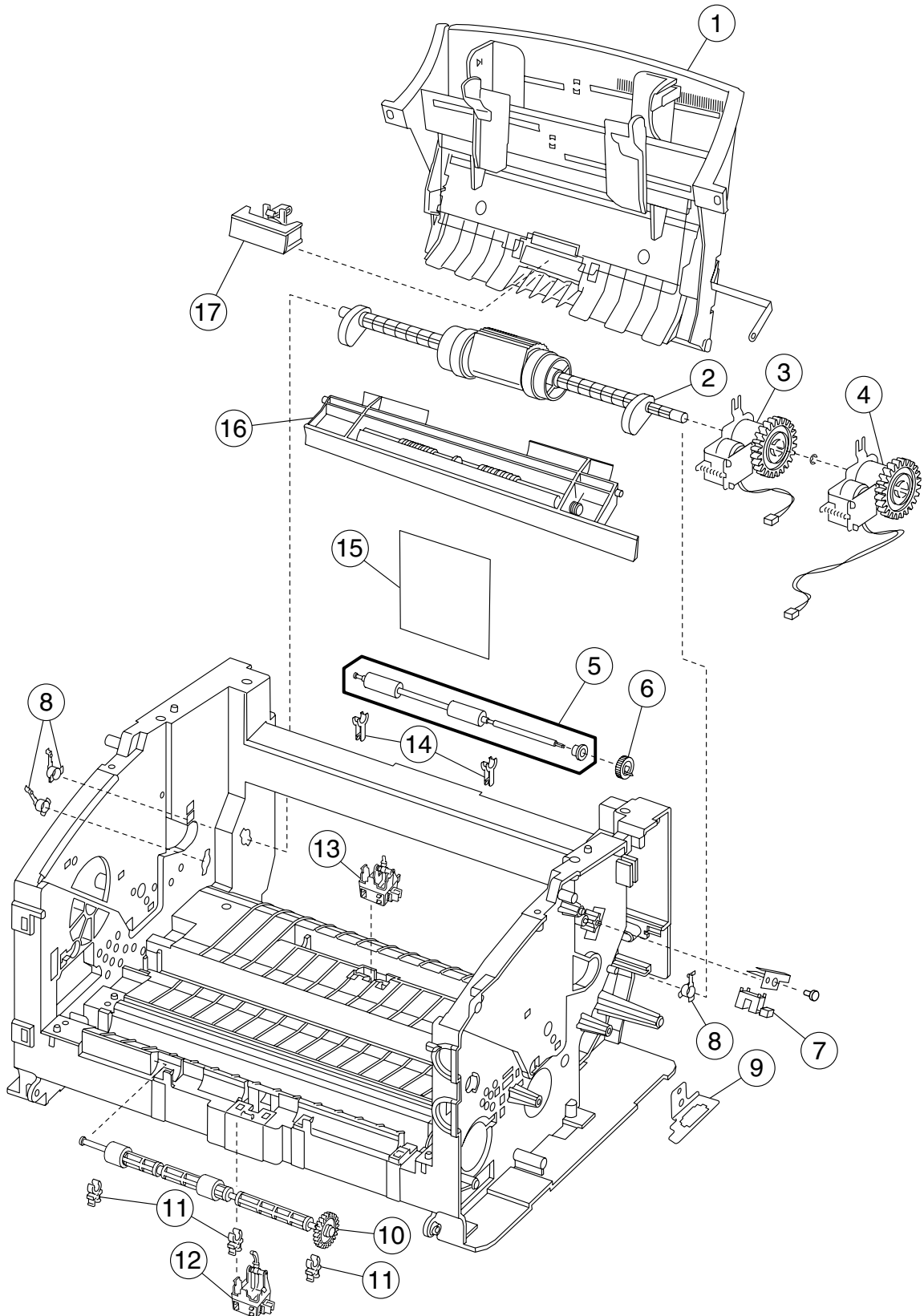
Assembly 4: Main drive

Asm-index	Part number	Units	Description
4-1*	12G4500	1	Gear assembly, drive (E320/E322)
1*	56P2441	1	Gear assembly, drive (E220/E321/E323)
2	12G4499	1	Motor, drive (E320/E322 only)
2	56P1083	1	Motor, drive (E220/E321/E323)

* Order PN 99A0394 (Nyogel 744 lubricant) to be applied to gear assembly. See **page 4-3** for more information.

Note: PNs 12G4500 and 56P0684 differ only in the cable clamps. The cable clamps can be removed and interchanged as needed.

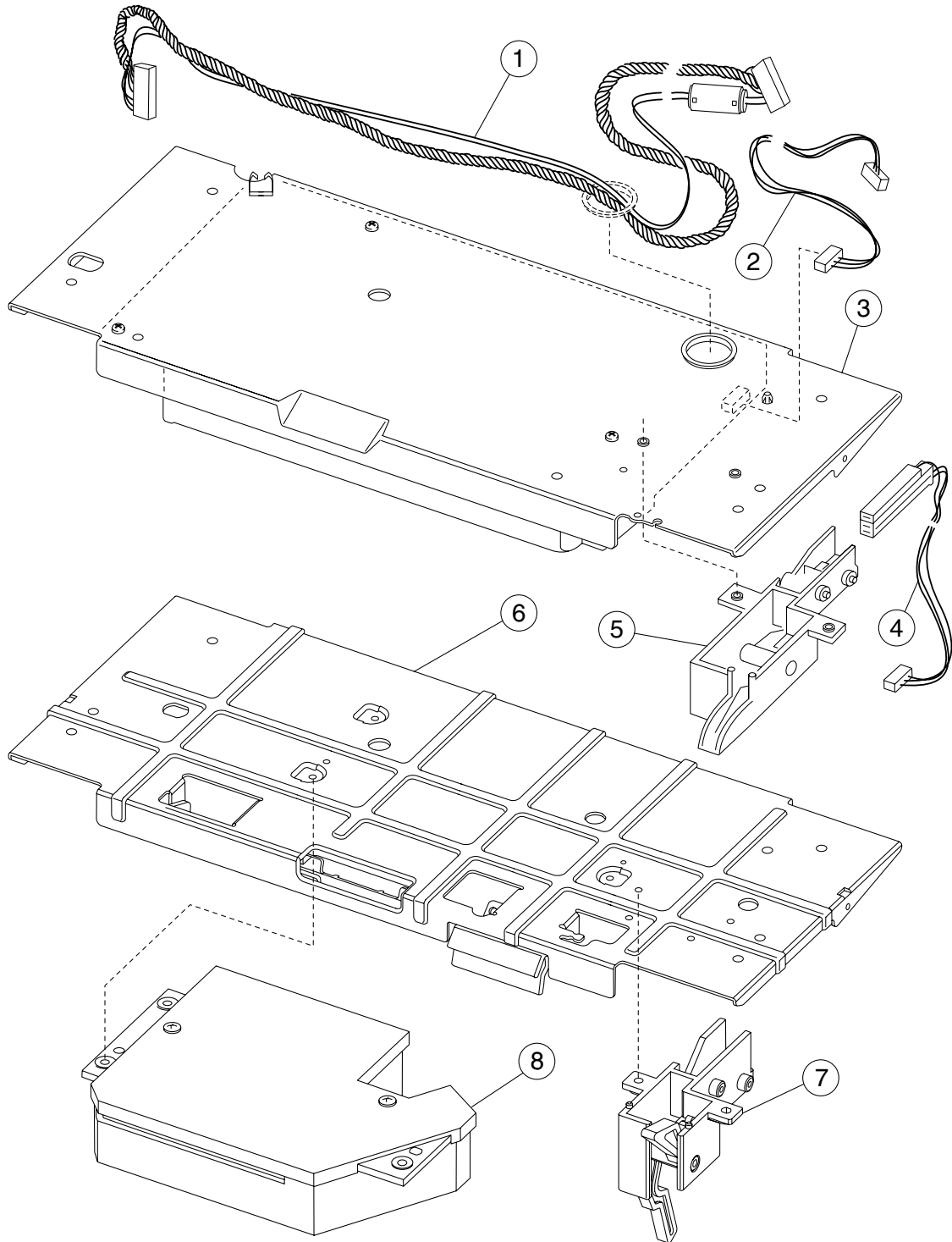
Assembly 5: Paper feed



Assembly 5: Paper feed

Asm-index	Part number	Units	Description
5-1	12G4481	1	Assembly, sheet feed (white)
1	56P1079	1	Assembly, sheet feed (black)
2	12G4483	1	Assembly, D-roll (E320/E322 only)
2	56P0690	1	Assembly, D-roll (E220/E321/E323 only)
3	12G4541	1	Clutch assembly, paper feed (E320/E322 only)
4	56P1063	1	Clutch assembly, paper feed (E220/E321/E323 only)
5	12G4538	1	Roller, lower registration
6	12G4540	1	Gear, registration roller
7	12G4477	1	Sensor, cartridge
8	56P1099	1	Parts pack, bushings/clip/spring
9	12G4482	1	Bracket, Tray 2 connector
10	12G4490	1	Roll, paper feed
11	56P1099	1	Parts pack, bushings/clip/spring
12	12G4476	1	Sensor, exit
13	12G4475	1	Sensor, registration
14	12G4539	2	Bushing, registration roller
15	12G4480	1	Strip, D-roll
16	12G4474	1	Roll assembly, registration
17	56P0691	1	Pad assembly, paper separator

Assembly 6: Printhead

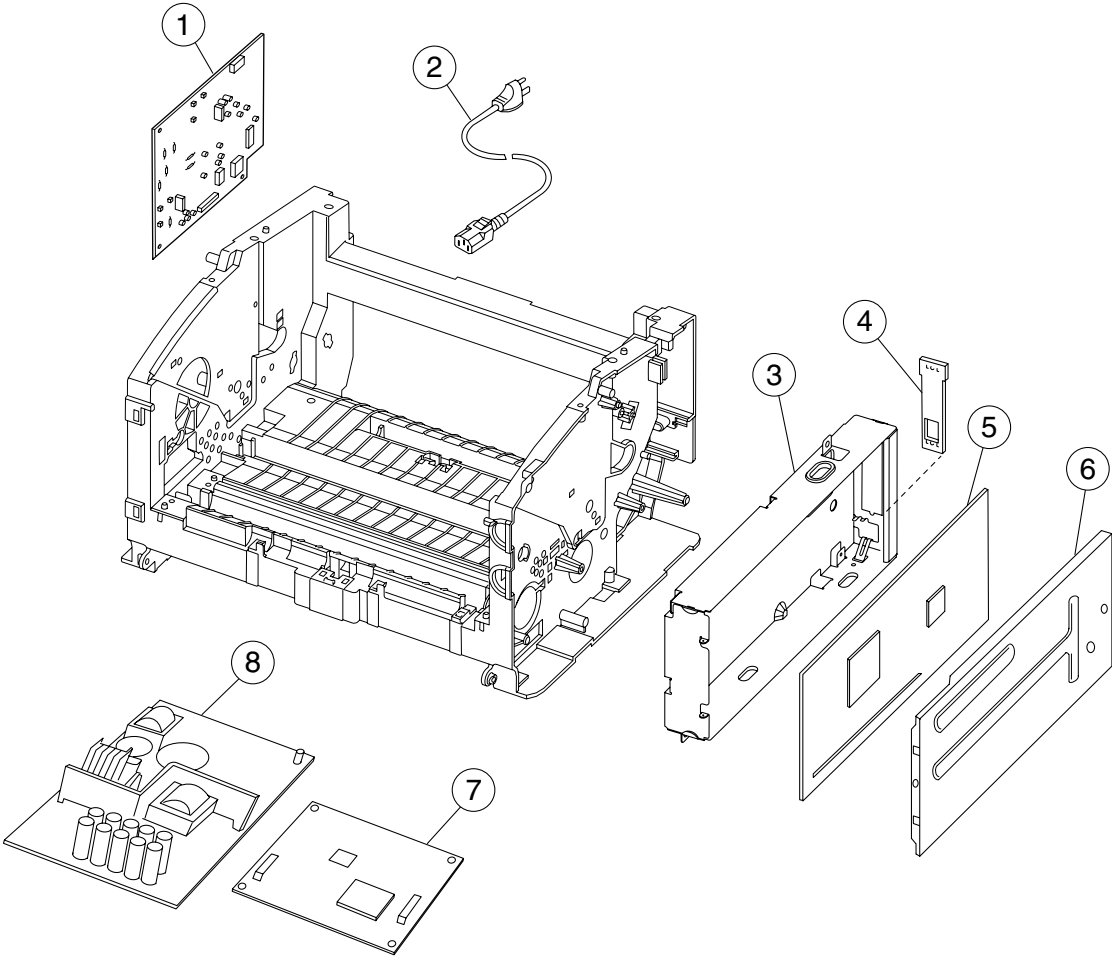


Assembly 6: Printhead

Asm-index	Part number	Units	Description
6-1*	56P1061	1	Cable, LSU-J5
2*	56P1068	1	Cable, mirror motor-J7
3	56P1087	1	Assembly, printhead (E220/E321/E323 only)
4*	56P1062	1	Cable, cover open switch-J6
5*	56P1080	1	Interlock, cover (E220/E321/E323 only)
6	12G4498	1	Plate, printhead (E320/E322 only)
7	56P0686	1	Interlock, cover sensor (E320/E322 only)
8	12G4497	1	Assembly, printhead (E320/E322 only)

* Contact Lexmark for availability.

Assembly 7: Electronics

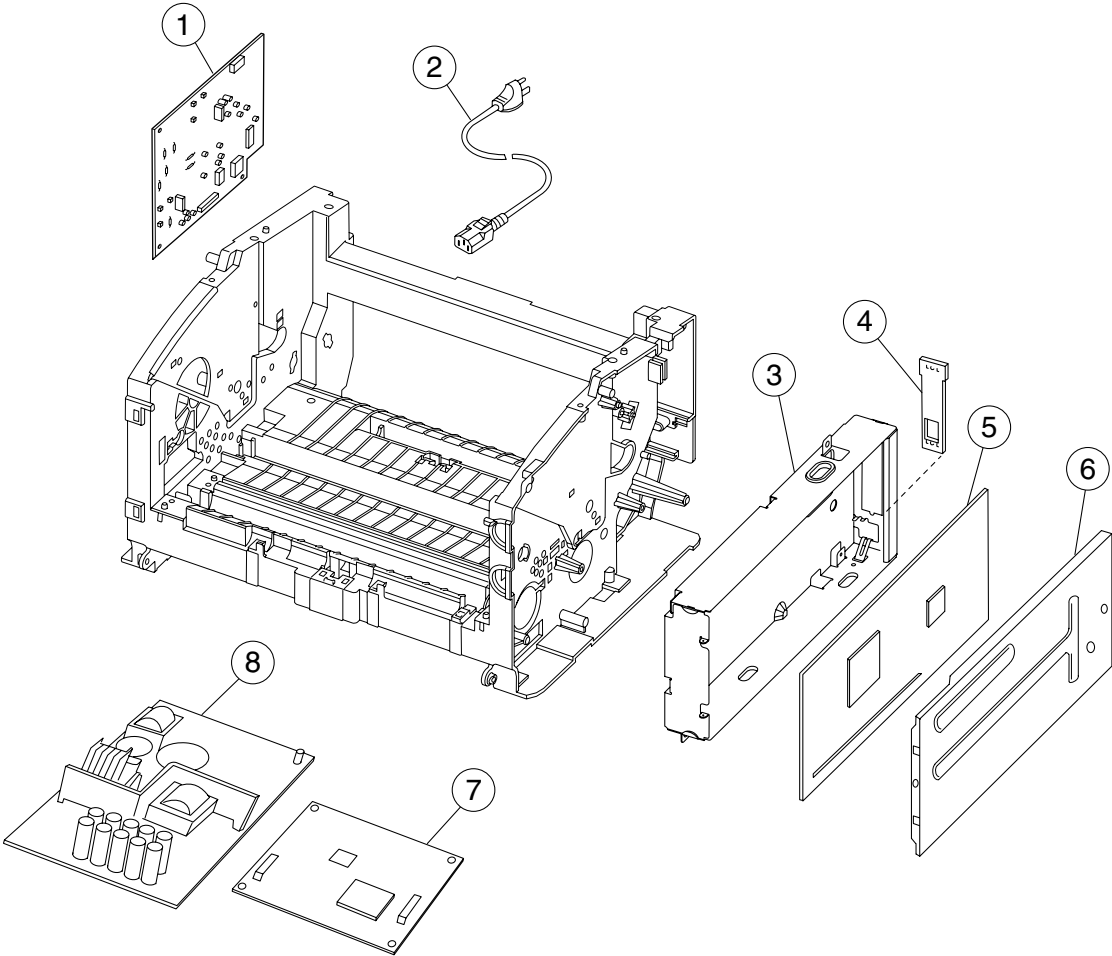


Assembly 7: Electronics

Asm-index	Part number	Units	Description
7-1	12G4509	1	Card, HVPS
2	1339526	1	Power cord, U.S., Canada, Brazil, Bolivia, Peru, Mexico, Saudi Arabia, Columbia, Costa Rica, Dominican Republic, Ecuador, El Salvador, Guatemala, Honduras, Nicaragua, Panama, Venezuela (HV)
2	1339528	1	Power cord, UK, Ireland, Iceland, Kuwait, Bahrein, Qatar, Oman, Pakistan, Yemen, Iraq, Libya, Cyprus
2	1339529	1	Power cord, Paraguay, Austria, Belgium, France, Netherlands, Czech, Slovak Countries, Greece, Hungary, Finland, Norway, Sweden, Germany, Lebanon, Syria, Egypt, Jordan, Iran, Bosnia, Bulgaria, Croatia, Slovenia, Macedonia, Yugoslavia, Romania, South Africa, Poland, Russia, Turkey, Spain, Catalan, Portugal
2	1339530	1	Power cord, Israel
2	1339531	1	Power cord, Switzerland
2	1339532	1	Power cord, South Africa
2	1339533	1	Power cord, Chile, Uruguay, Italy
2	1339534	1	Power cord, Denmark
3	12G4504	1	Cage, controller (E320/E322 only)
3*	56P1055	1	Cage, controller (E220/E321/E323 only)
4	56P0187	1	Bracket, Hn controller card (E320/E322 only)
4	56P1067	1	Bracket, Hn controller card (E220/E321/E323 only)

* Contact Lexmark for availability.

Assembly 7 (cont.):

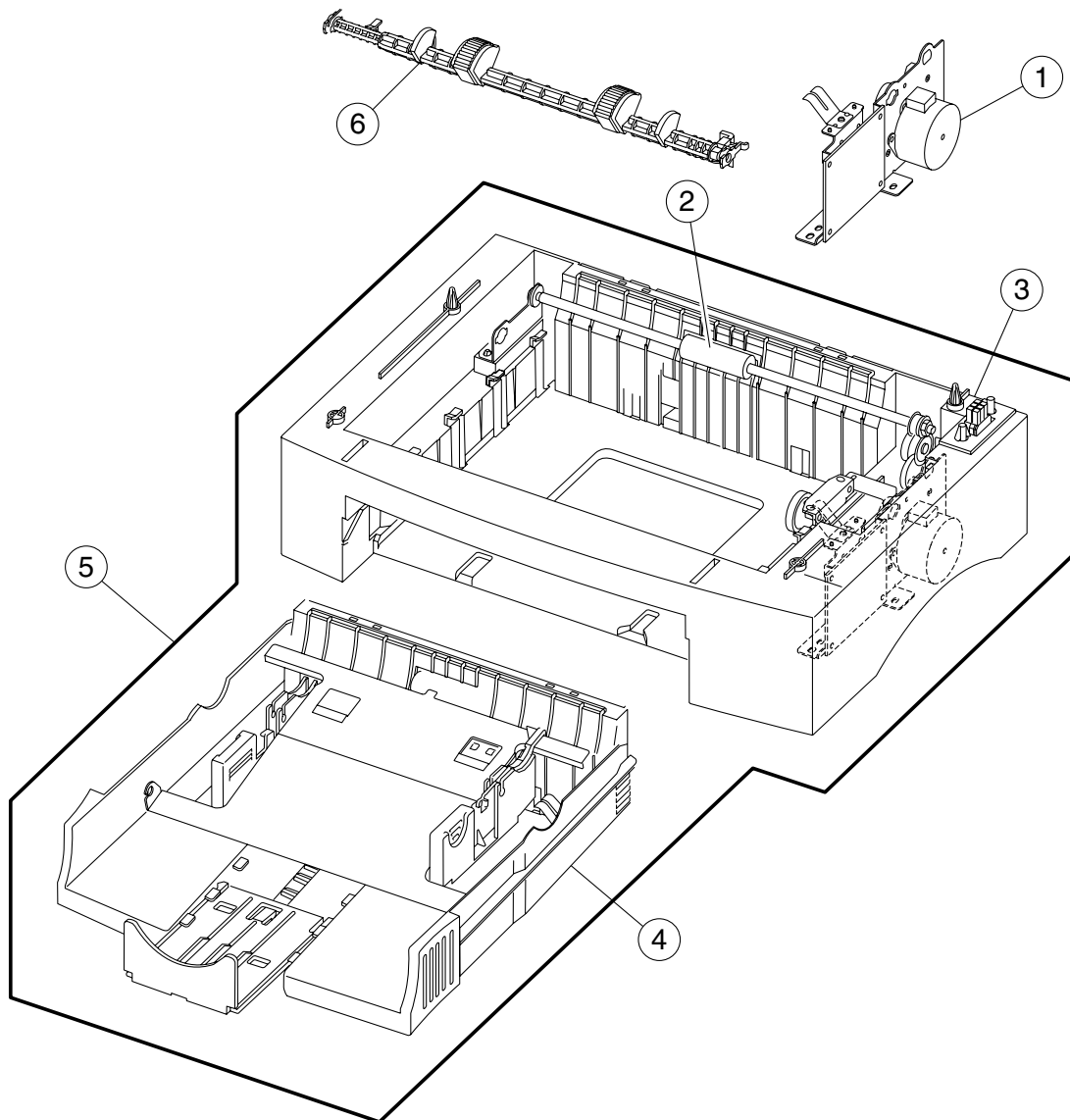


Assembly 7 (cont.): Electronics

Asm-index	Part number	Units	Description
5	12G4501	1	Card, controller E320
5	12G4502	1	Card, controller E322
5	12G4503	1	Card, controller E322 network
5	56P1071	1	Card, controller E220/E321
5	56P1073	1	Card, controller E323
5	56P1074	1	Card, controller E323 network
6	12G4505	1	Cover, cage (E320/E322 only)
6*	56P1056	1	Cover, cage (E220/E321/E323 only)
7	12G4506	1	Card, engine (E320/E322 only)
8	12G4507	1	Card, LVPS 110 V (E320/E322 only)
8	12G4508	1	Card, LVPS 220 V (E320/E322 only)
8	56P1097	1	Card, LVPS 110 V (E220/E321/E323 only)
8	56P1098	1	Card, LVPS 220 V (E220/E321/E323 only)

* Contact Lexmark for availability.

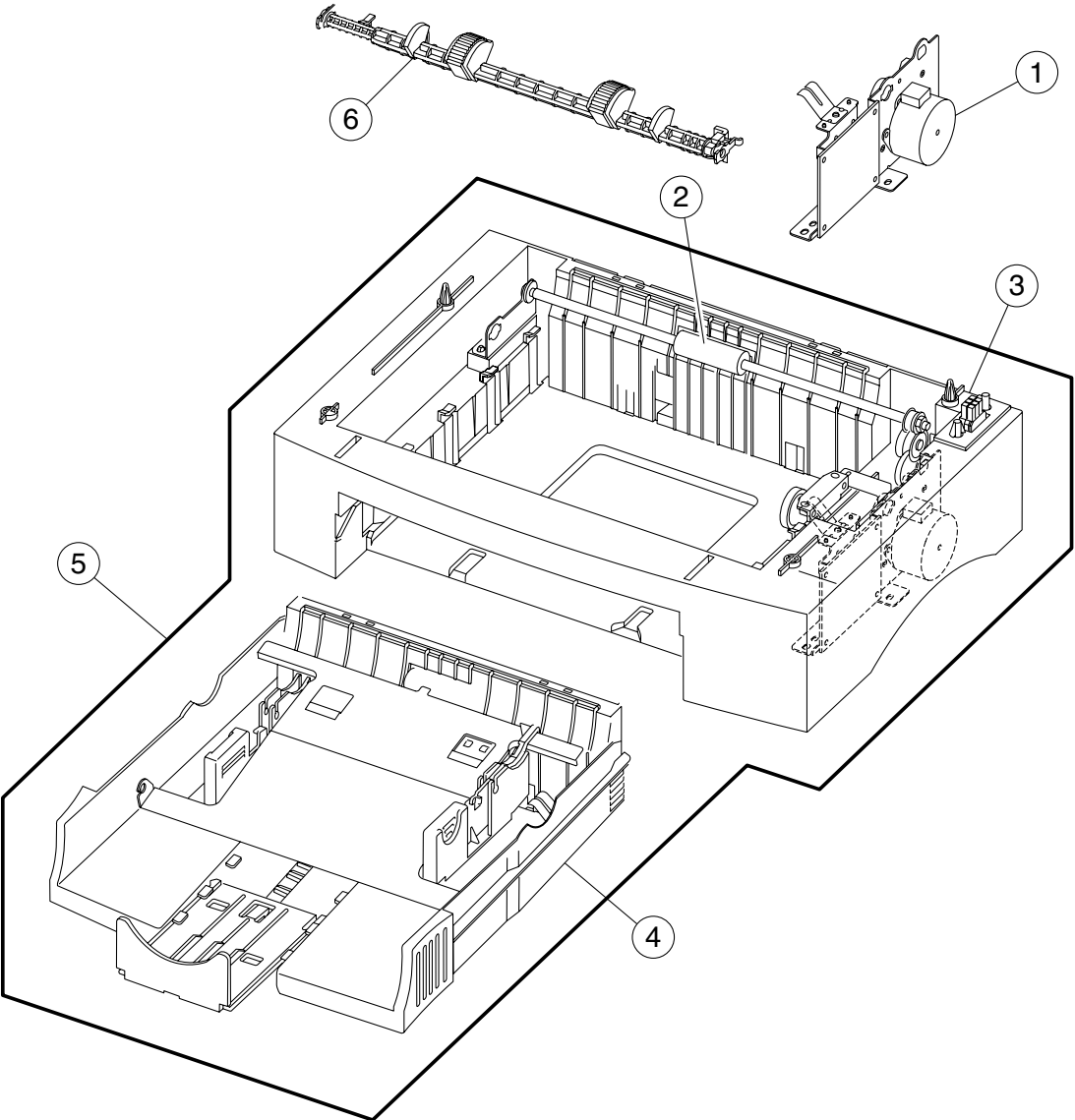
Assembly 8: Options



Assembly 8: Options

Asm-index	Part number	Units	Description
Models E320/E322			
8-1	12G4516	1	Board, motor, Tray 2 (E320/E322 only)
2	12G4515	1	Kit assembly, feed roller
3	12G4514	1	Base assembly, Tray 2
4	12G4513	1	Drawer, Tray 2 (white)
6	12G4532	1	D-roll, feed, Tray 2
Models E220/E321/E323 (black)			
2	12G4515	1	Kit assembly, feed roller
4	56P1090	1	Tray, Tray 2
5	56P1089	1	Base asm., Tray 2 complete
6	12G4532	1	D-roll, feed, Tray 2
Models E220/E321/E323 (white)			
2	12G4515	1	Kit assembly, feed roller
4	12G4513	1	Drawer, Tray 2
5	56P1066	1	Base asm., Tray 2 complete
6	12G4532	1	D-roll, feed, Tray 2
All models (exceptions noted)			
NS	56P0589	1	Cover, Tray 2 media
NS	99A1752	1	4MB SDRAM SIMM (E322 only)
NS	56P0695	1	8MB SDRAM DIMM
NS	56P0696	1	16MB SDRAM DIMM
NS	56P0697	1	32MB SDRAM DIMM
NS	56P0698	1	64MB SDRAM DIMM
NS	99A1757	1	2MB Flash DIMM (E323 only)
NS	99A1758	1	4MB Flash DIMM (E323 only)
NS	99A1759	1	8MB Flash DIMM (E323 only)
NS	99A1774	1	16MB Flash DIMM (E323 only)

Assembly 8 (cont.): Options



Assembly 8 (cont.): Options

Asm-index	Part number	Units	Description
NS	99A1683	1	Optra Forms™ 2MB Flash DIMM (E323 only)
NS	99A1684	1	Optra Forms 4MB Flash DIMM (E323 only)
NS	99A1685	1	Optra Forms 8MB Flash DIMM (E323 only)
NS	99A1686	1	Optra Forms 16MB Flash DIMM (E323 only)
NS	12G9833	1	MarkNet™ X2011e Ethernet 10/100Base TX
NS	12G9832	1	MarkNet X2012e Ethernet 10/100Base TX/10Base2 – 1 port
NS	12G9831	1	MarkNet X2031e Ethernet 10/100Base TX – 3 ports
NS	12G9830	1	MarkNet X2030t Token–Ring–3 ports
NS	99A0521	1	1MB Flash SIMM (E322 only)
NS	99A0522	1	2MB Flash SIMM (E322 only)
NS	99A0523	1	4MB Flash SIMM (E322 only)

Assembly 9: Cables

Asm-index	Part number	Units	Description
E320/E322 only			
NS	12G4517	1	Cable, HVPS–J1
NS	12G4518	1	Cable, input/exit sensor–J2
NS	12G4519	1	Cable, smart–J3
NS	12G4520	1	Cable, motor–J5
NS	12G4521	1	Cable, toner sensor–J6
NS	12G4522	1	Cable, controller–J11
NS	12G4523	1	Cable, option–J13
NS	12G4524	1	Cable, fuser lamp
NS	12G4525	1	Cable, ground wire
NS	12G4526	1	Cable, option
NS	12G4527	1	Cable, cover open switch–J9
NS	12G4528	1	Cable, AC receptacle
NS	12G4545	1	Cable, PSU–J12
E220/E321/E323 only			
NS*	56P1057	1	Cable, HVPS–J3
NS*	56P1058	1	Cable, input/exit sensor–J11
NS8	56P1059	1	Cable, smart IC–J13
NS*	56P1060	1	Cable, motor–J8
NS*	56P1061	1	Cable, LSU–J5
NS*	56P1062	1	Cable, cover open switch–J6
NS*	56P1068	1	Cable, mirror motor–J7
NS*	56P1069	1	Cable, LVPS–J1
NS*	56P1081	1	Cable, toner sensor–J4
NS*	56P1088	1	Cable, option tray–J15
NS*	56P1093	1	Cable, fuser lamp

* Contact Lexmark for availability.

Assembly 10: Miscellaneous

Asm-index	Part number	Units	Description
NS	12G4529	1	Ring, CS
NS	12G4530	1	Clamp, mini
NS	12G4531	1	Parts pack, screws
NS	7371901	1	Kit, field relocation
NS	56P1099	1	Parts pack, bushing/clip/spring
NS	56P1070	1	Overlay group, non-English overlays

4500

Part number index

P/n	Description	Page
12G0176	Cover, media	7-3, 7-7
12G4450	Cover, access	7-3
12G4450	Cover, access (white)	7-5
12G4451	Cover, left side	7-3
12G4451	Cover, left side (white)	7-7
12G4452	Cover, top	7-3
12G4452	Cover, top (white)	7-7
12G4453	Cover, right side	7-3
12G4455	Cover, rear	7-3
12G4455	Cover, rear (white)	7-5
12G4456	Extension, tray	7-3
12G4456	Extension, tray (white)	7-5
12G4457	Assembly, operator panel	7-3
12G4458	Cover, bottom	7-3, 7-5
12G4459	Duct, cooling	7-3
12G4459	Duct, cooling (white)	7-5
12G4460	Fan, cooling (E320/E322 only)	7-9
12G4461	Switch asm., power (white 110 V)	7-9
12G4463	Spring, charge roll left	7-9
12G4464	Spring, charge roll right	7-9
12G4470	Roll, transfer	7-9
12G4471	Bearing, transfer	7-9
12G4473	B/M, rail (E320/E322 only)	7-9
12G4474	Roll assembly, registration	7-15
12G4475	Sensor, registration	7-15
12G4476	Sensor, exit	7-15
12G4477	Sensor, cartridge	7-15
12G4480	Strip, D-roll	7-15
12G4481	Assembly, sheet feed (white)	7-15
12G4482	Bracket, tray 2 connector	7-15
12G4483	Assembly, D-roll (E320/E322 only)	7-15
12G4484	Fuser assembly, 110 V (E320/E322 only)	7-11
12G4485	Lamp, fuser, 110 V	7-11
12G4486	Fuser assembly, 220 V (E320/E322 only)	7-11

4500

12G4487	Lamp, fuser, 220 V	7-11
12G4488	Cover, fuser (E320/E322 only)	7-11
12G4489	Bearing, backup roll	7-11
12G4490	Roll, paper feed	7-15
12G4491	Roll, fuser, hot	7-11
12G4492	Roller, exit, idler (1 each)	7-11
12G4493	Roller, exit, redrive	7-11
12G4494	Roll, fuser, backup	7-11
12G4495	Pawl, detack (1 each)	7-11
12G4496	Roll assembly, idler (1 each)	7-11
12G4497	Assembly, printhead (E320/E322 only)	7-17
12G4498	Plate, printhead (E320/E322 only)	7-17
12G4499	Motor, drive (E320/E322 only)	7-13
12G4500	Gear assembly, drive (E320/E322)	7-13
12G4501	Card, controller E320	7-21
12G4502	Card, controller E322	7-21
12G4503	Card, controller E322 network	7-21
12G4504	Cage, controller (E320/E322 only)	7-19
12G4505	Cover, cage (E320/E322 only)	7-21
12G4506	Card, engine (E320/E322 only)	7-21
12G4507	Card, LVPS 110 V (E320/E322 only)	7-21
12G4508	Card, LVPS 220 V (E320/E322 only)	7-21
12G4509	Card, HVPS	7-19
12G4510	Spring, HVPS (6/FRU)	7-9
12G4513	Drawer, Tray 2	7-23
12G4513	Drawer, Tray 2 (white)	7-23
12G4514	Base assembly, Tray 2	7-23
12G4515	Kit assembly, feed roller	7-23
12G4516	Board, motor, tray 2 (E320/E322 only)	7-23
12G4517	Cable, HVPS-J1	7-26
12G4518	Cable, input/exit sensor-J2	7-26
12G4519	Cable, smart-J3	7-26
12G4520	Cable, motor-J5	7-26
12G4521	Cable, toner sensor-J6	7-26
12G4522	Cable, controller-J11	7-26
12G4523	Cable, option-J13	7-26
12G4524	Cable, fuser lamp	7-26
12G4525	Cable, ground wire	7-26
12G4526	Cable, option	7-26

12G4527	Cable, cover open switch-J9	7-26
12G4528	Cable, AC receptacle	7-26
12G4529	Ring, CS	7-27
12G4530	Clamp, mini	7-27
12G4531	Parts pack, screws	7-27
12G4532	D-roll, feed, Tray 2	7-23
12G4533	Bracket, left	7-9
12G4534	Bracket, right	7-9
12G4535	Spring, front cover right	7-3, 7-5
12G4536	Spring, front cover left	7-3, 7-5
12G4538	Roller, lower registration	7-15
12G4539	Bushing, registration roller	7-15
12G4540	Gear, registration roller	7-15
12G4541	Clutch assembly, paper feed (E320/E322 only)	7-15
12G4542	Cover, front- E322	7-3
12G4543	Cover, front- E320	7-3
12G4545	Cable, PSU-J12	7-26
12G9830	MarkNet X2030t Token-Ring-3 ports	7-25
12G9831	MarkNet X2031e Ethernet 10/100Base TX - 3 ports	7-25
12G9832	MarkNet X2012e Ethernet 10/100Base TX/10Base2 - 1 port	7-25
12G9833	MarkNet X2011e Ethernet 10/100Base TX	7-25
1339526	Power cord	7-19
1339528	Power cord	7-19
1339529	Power cord	7-19
1339530	Power cord	7-19
1339531	Power cord	7-19
1339532	Power cord	7-19
1339533	Power cord	7-19
1339534	Power cord	7-19
56P0187	Bracket, Hn controller card (E320/E322 only)	7-19
56P0199	Bearing, left transfer	7-9
56P0589	Cover, Tray 2 media	7-23
56P0683	Assembly, operator panel (white)	7-5
56P0685	Assembly, charge roll	7-9
56P0686	Interlock, cover sensor (E320/E322 only)	7-17

4500

56P0687	Switch asm., power white 220 V)	7-9
56P0688	Switch asm., power (black 220 V)	7-9
56P0690	Assembly, D-roll (E220/E321/E323 only)	7-15
56P0691	Pad assembly, paper separator	7-15
56P0695	8MB SDRAM DIMM	7-23
56P0696	16MB SDRAM DIMM	7-23
56P0697	32MB SDRAM DIMM	7-23
56P0698	64MB SDRAM DIMM	7-23
56P1050	Cover, right side	7-5
56P1051	Assembly, operator panel	7-5
56P1052	Fan, cooling (E220/E321/E323)	7-9
56P1053	Fuser assembly, 110 V (E220/E321/E323 only)	7-11
56P1054	Fuser assembly, 220 V (E220/E321/E323 only)	7-11
56P1055	Cage, controller (E220/E321/E323 only)	7-19
56P1056	Cover, cage (E220/E321/E323 only)	7-21
56P1057	Cable, HVPS-J3	7-26
56P1058	Cable, input/exit sensor-J11	7-26
56P1059	Cable, smart IC-J13	7-26
56P1060	Cable, motor-J8	7-26
56P1061	Cable, LSU - J5	7-17
56P1061	Cable, LSU-J5	7-26
56P1062	Cable, cover open switch - J6	7-17
56P1062	Cable, cover open switch-J6	7-26
56P1063	Clutch assembly, paper feed (E220/E321/E323 only)	7-15
56P1064	Cover, front - E321	7-5
56P1065	Cover, front - E323	7-5
56P1066	Base asm., Tray 2 complete	7-23
56P1067	Bracket, Hn controller card (E220/E321/E323 only)	7-19
56P1068	Cable, mirror motor - J7	7-17
56P1068	Cable, mirror motor-J7	7-26
56P1069	Cable, LVPS-J1	7-26
56P1070	Overlay GP, non-English overlays	7-27
56P1071	Card, controller E220/E321	7-21
56P1073	Card, controller E323	7-21
56P1074	Card, controller E323 network	7-21
56P1075	Cover, access	7-5
56P1076	Cover, left side	7-7
56P1077	Cover, top	7-7
56P1078	Assembly, cover, rear	7-5
56P1079	Assembly, sheet feed (black)	7-15

56P1080	Interlock, cover (E220/E321/E323 only)	7-17
56P1081	Cable, toner sensor-J4	7-26
56P1082	Cover, fuser (E220/E321/E323 only)	7-11
56P1083	Motor, drive (E220/E321/E323)	7-13
56P1084	Cover, right side (white)	7-5
56P1085	B/M, rail (E220/E321/E323 only)	7-9
56P1086	Duct, cooling	7-5
56P1087	Assembly, printhead (E220/E321/E323 only)	7-17
56P1088	Cable, option tray-J15	7-26
56P1089	Base asm., Tray 2 complete	7-23
56P1090	Tray, Tray 2	7-23
56P1091	Assembly, paper guide with exit tray (white)	7-7
56P1092	Switch asm., power (black 110 V)	7-9
56P1093	Cable, fuser lamp	7-26
56P1094	Assembly, paper guide with exit tray (black)	7-7
56P1095	Cover, front, E321 (white)	7-5
56P1096	Cover, front, E323 (white)	7-5
56P1097	Card, LVPS 110 V (E320/E322 only)	7-21
56P1098	Card, LVPS 220 V (E320/E322 only)	7-21
56P1099	Parts pack, bushing/clip/spring	7-27
56P1099	Parts pack, bushings clip spring	7-3, 7-5
56P1099	Parts pack, bushings/clip spring	7-11
56P1099	Parts pack, bushings/clip/spring	7-15
56P1836	Cover, front - E220 (white)	7-5
56P1837	Cover, front - E220	7-5
56P1838	Assembly, operator panel (E220) (white)	7-5
56P1839	Assembly, operator panel (E220)	7-5
56P2373	Hinge, right	7-3, 7-5
56P2374	Hinge, left	7-3, 7-5
56P2441	Gear assembly, drive (E220/E321/E323)	7-13
7371901	Field relocation kit	7-27
99A0521	1MB Flash SIMM (E322 only)	7-25
99A0522	2MB Flash SIMM (E322 only)	7-25
99A0523	4MB Flash SIMM (E322 only)	7-25
99A1017	Roll, charge	7-9

4500

99A1683	Optra Forms 2MB Flash DIMM (E323 only)	7-25
99A1684	Optra Forms 4MB Flash DIMM (E323 only)	7-25
99A1685	Optra Forms 8MB Flash DIMM (E323 only)	7-25
99A1686	Optra Forms 16MB Flash DIMM (E323 only)	7-25
99A1752	4MB SDRAM SIMM (E322 only)	7-23
99A1757	2MB Flash DIMM (E323 only)	7-23
99A1758	4MB Flash DIMM (E323 only)	7-23
99A1759	8MB Flash DIMM (E323 only)	7-23
99A1774	16MB Flash DIMM (E323 only)	7-23