

7. Parts catalog

How to use this parts catalog

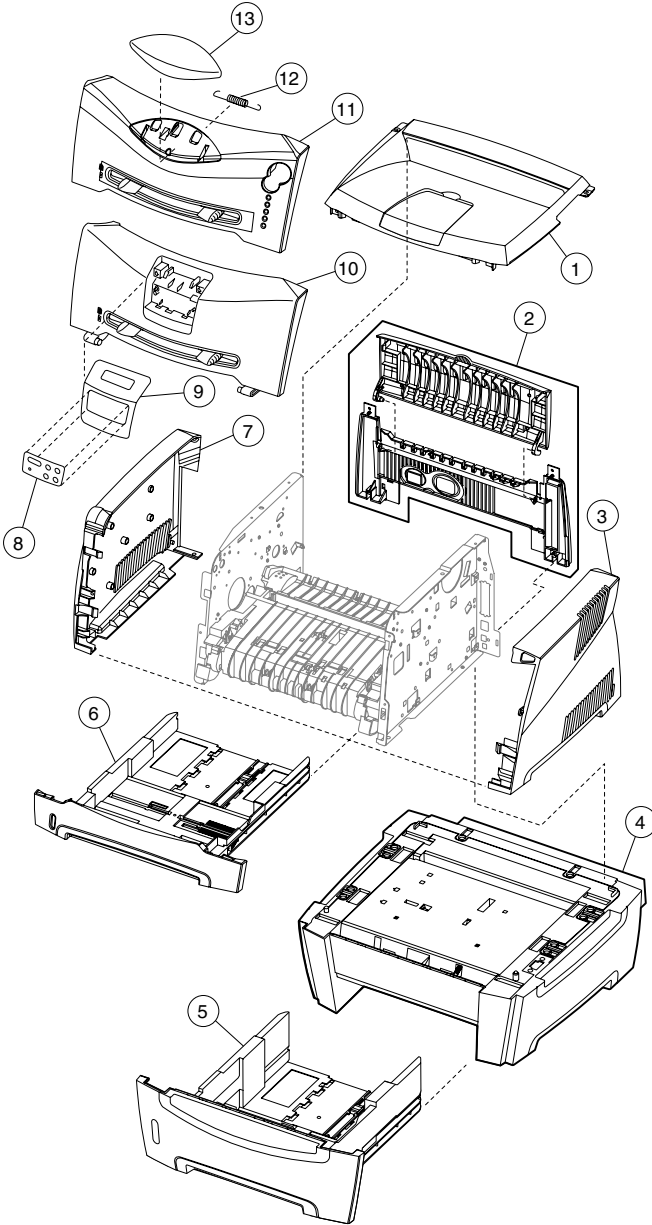
The following legend is used in the parts catalog:

Asm-Index	Part number	Units/mach	Units/FRU	Description
-----------	-------------	------------	-----------	-------------

- **Asm-index:** identifies the assembly and the item in the diagram. For example 3-1 indicates assembly 3 and the item number 1.
- **Part number:** identifies the unique number that identifies this FRU.
- **Units/mach:** refers to the number of units actually used in the machine or product.
- **Units/FRU:** refers to the number of units packaged together and identified by the part number.
- **NS:** (Not shown) in the Asm-Index column indicates that the part is procurable but is not pictured in the illustration.
- **PP:** (Parts Packet) in the parts description column indicates the part is contained in a parts packet.
- Model information used in the parts catalog.

Machine type and model	Description
4511-000	Lexmark E238
4511-100	Lexmark E240
4511-410	Lexmark E240n (network)
4511-600	Lexmark E340
4511-610	Lexmark E342n (network)

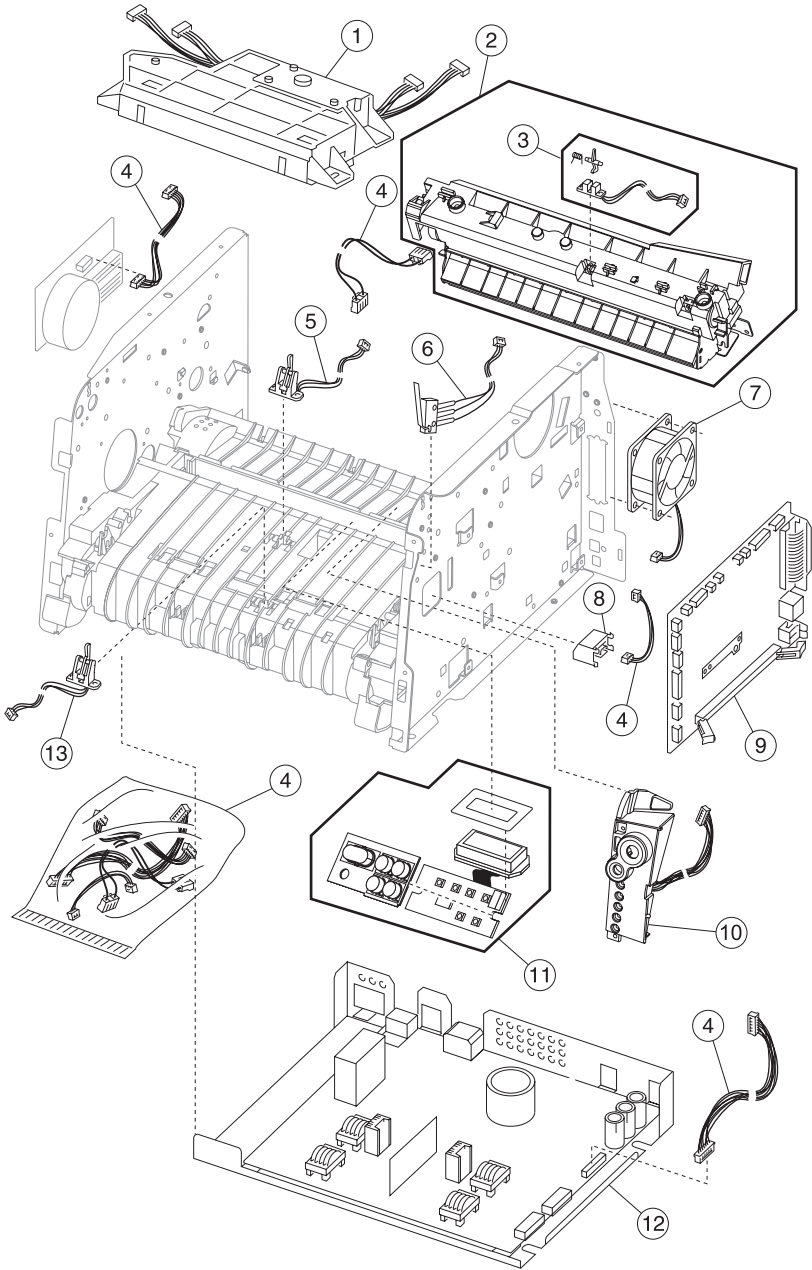
Assembly 1: Covers



Assembly 1: Covers

Asm-Index	Part number	Units/mach	Units/FRU	Description
1—1	40X1335	1		Top cover assembly
2	40X1339	1		Rear cover assembly
3	40X1320	1		Right side cover
4	40X1341	1		Optional media drawer assembly (no tray)
5	40X1342	1		Optional tray 2
6	40X1340	1		Main tray
7	40X1336	1		Left side cover
8	40X1356	1	15	Language overlays
9	40X1357	1	1	LCD bezel, E340 cover
9	40X1327	1	1	LCD bezel, E342n cover
10	40X1309	1		Front access cover assembly, E340, E342n
11	40X1310	1		Front access cover assembly, no logo, E238, E240, E240n
12	40X1354	1		Springs, ACM and front access door
13	40X1359	1		Logo plate cover, E238
13	40X1311	1		Logo plate cover, E240
13	40X1312	1		Logo plate cover, E240n

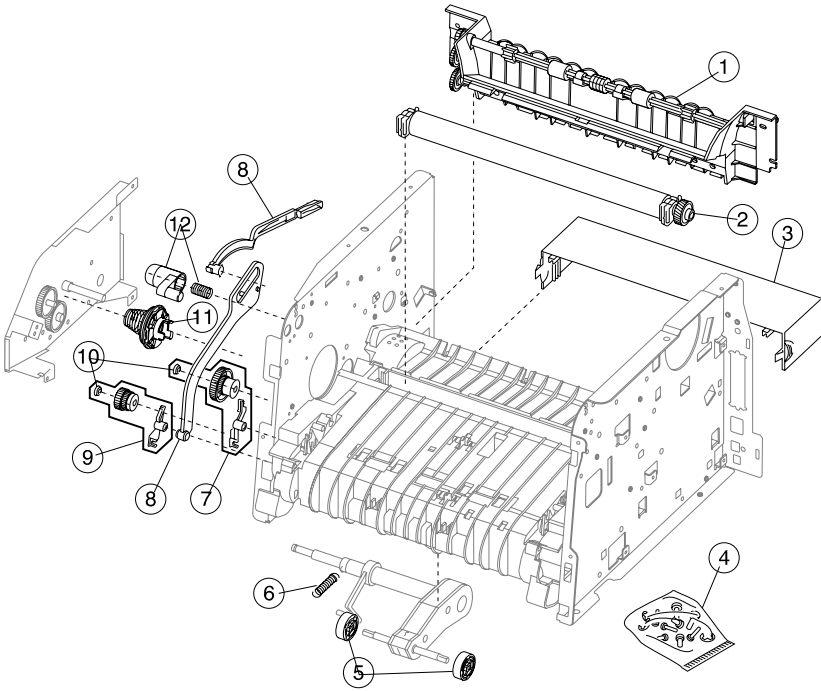
Assembly 2: Electronics




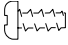

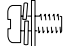

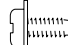

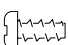
Assembly 2: Electronics

Asm-Index	Part number	Units/mach	Units/FRU	Description
2-1	40X1303	1		Laser/mirror printhead assembly, E238/E240/E240n
1	40X1304	1		Laser/mirror printhead assembly, E340/E342n
2	40X1300	1		Fuser assembly, 110 V
2	40X1301	1		Fuser assembly, 220 V
2	40X1302	1		Fuser assembly, 100 V
3	40X1325	1		Exit sensor assembly
4	40X1333	1		Miscellaneous cable assemblies <ul style="list-style-type: none"> • Fuser power • Toner sensor • LVPS/HVPS to controller • Main drive motor
5	40X1323	1		Input #1 sensor assembly
6	40X1326	1		Cover open sensor assembly
7	40X1328	1		Cooling fan
8	56P2076	1		Toner level sensor (RO)
9	40X1305	1		Controller card, E238/E240
9	40X1306	1		Controller card, E240n
9	40X1307	1		Controller card, E340
9	40X1308	1		Controller card, E342n
10	40X1316	1		LED operator panel assembly, E238/E240/E240n
11	40X1315	1		LCD operator panel assembly, E340/E342n
11	40X1358	1		LCD operator panel assembly, Katakana
12	40X1317	1		LVPS/HVPS card assembly, 110 V
12	40X1318	1		LVPS/HVPS card assembly, 220 V
13	40X1324	1		Input #2 sensor assembly (manual)

Assembly 3: Frame



Assembly 3: Frame

Asm-Index	Part number	Units/mach	Units/FRU	Description
3-1	40X1334	1		Paper exit guide assembly
2	40X1322	1		Transfer roll, bearings, gear, spring
3	40X1321	1		Legal-size paper extender cover
4	40X1353	N/A		Screws, miscellaneous (actual size) TP2NC-3.0+6P-Ni (2)  
				M3.0*0.5+6P-Ni,2 Washer (2)  
				MT3.0*0.5+6PF-Ni (5)  
				TP2NC-3.0+6PF-Ni (4)  
5	40X1319	2		Paper feed, rubber tires
6	40X1354	1		Front access door and ACM springs
7	40X1331	1		ACM clutch CBM
8	40X1338	1		Door-fuser idle gear link CBM
9	40X1330	1		Manual feed clutch CBM
10	40X1355	2		Plastic snap rings
11	40X1329	1		Developer drive coupling assembly
12	40X1337	1		Front access cover latch CBM

Assembly 4: Options

Asm-Index	Part number	Units/mach	Units/FRU	Description
NS	40X1564	1		32MB flash card assembly
NS	40X1513	1		Simplified Chinese font card assembly
NS	40X1514	1		Traditional Chinese font card assembly
NS	40X1512	1		Japanese font card assembly
NS	40X1515	1		Korean font card assembly
NS	40X1364	1		32MB SDR DIMM
NS	40X1365	1		64MB SDR DIMM
NS	40X1366	1		128MB SDR DIMM

Assembly 5: Miscellaneous

Asm-Index	Part number	Units/mach	Units/FRU	Description
NS	40X1368	1		USB cable, packaged (2 m)
NS	40X1367	1		Parallel cable, packaged (3 m)
NS	7372839	1		Field location package assembly
NS	40X0289	1		Power cord, 1.8M (straight)—USA, Canada
NS	40X0278	1		Power cord, 6 foot (straight)—Europe and others
NS	40X0288	1		Power cord, 8 foot (straight)—Argentina
NS	40X0271	1		Power cord, 8 foot (straight)—United Kingdom
NS	40X0275	1		Power cord, 6 foot (straight)—Israel
NS	40X0274	1		Power cord, 6 foot (straight)—Switzerland
NS	40X0276	1		Power cord, 6 foot (straight)—South Africa
NS	40X0287	1		Power cord, 6 foot (straight)—Traditional Italy
NS	40X0279	1		Power cord, 6 foot (straight)—Danish
NS	40X0277	1		Power cord, 6 foot (straight)—Brazil
NS	40X0282	1		Power cord, 1.8M (straight)—PRC
NS	40X0270	1		Power cord, 2.5M (straight)—Japan
NS	40X0280	1		Power cord, 1.8M (straight)—Korea
NS	40X0281	1		Power cord, 1.8M (straight)—Taiwan
NS	40X0296	1		Power cord, 1.8M (straight)—Australia