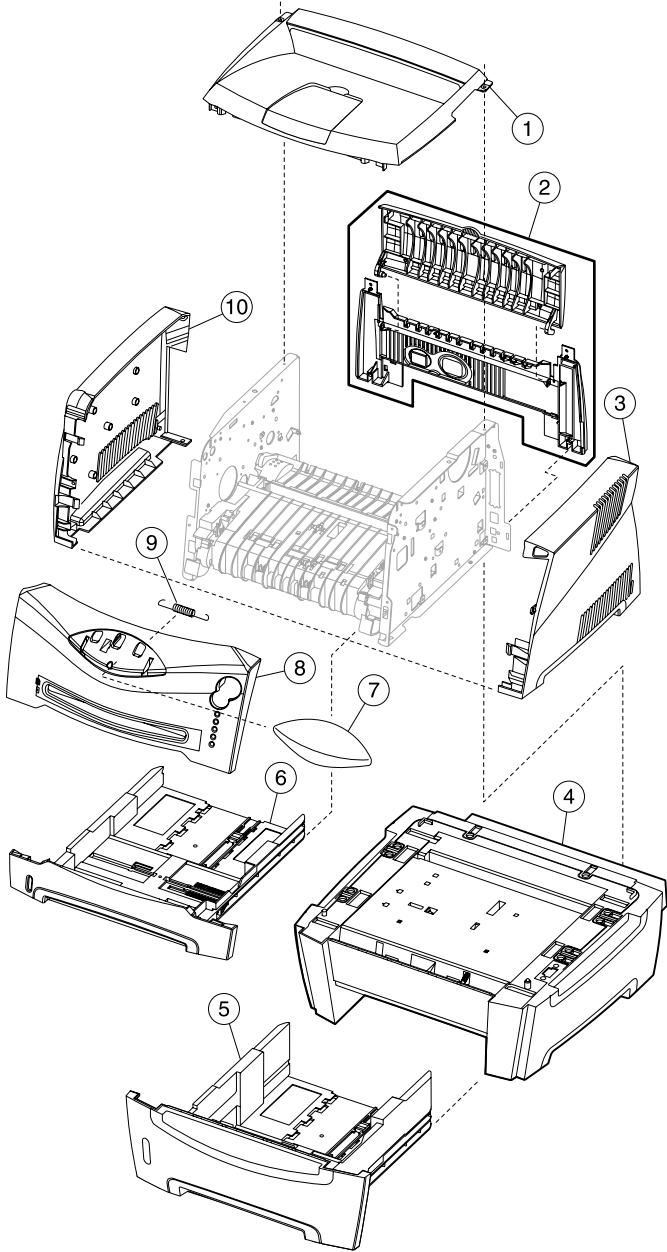

7. Parts catalog

How to use this parts catalog

SIMILAR ASSEMBLIES: If two assemblies contain a majority of identical parts, they are shown on the same list. Common parts are shown by one index number. Parts peculiar to one or the other of the assemblies are listed separately and identified by description.

- **NS:** (Not Shown) in the Asm-Index column indicates that the part is procurable but is not pictured in the illustration.

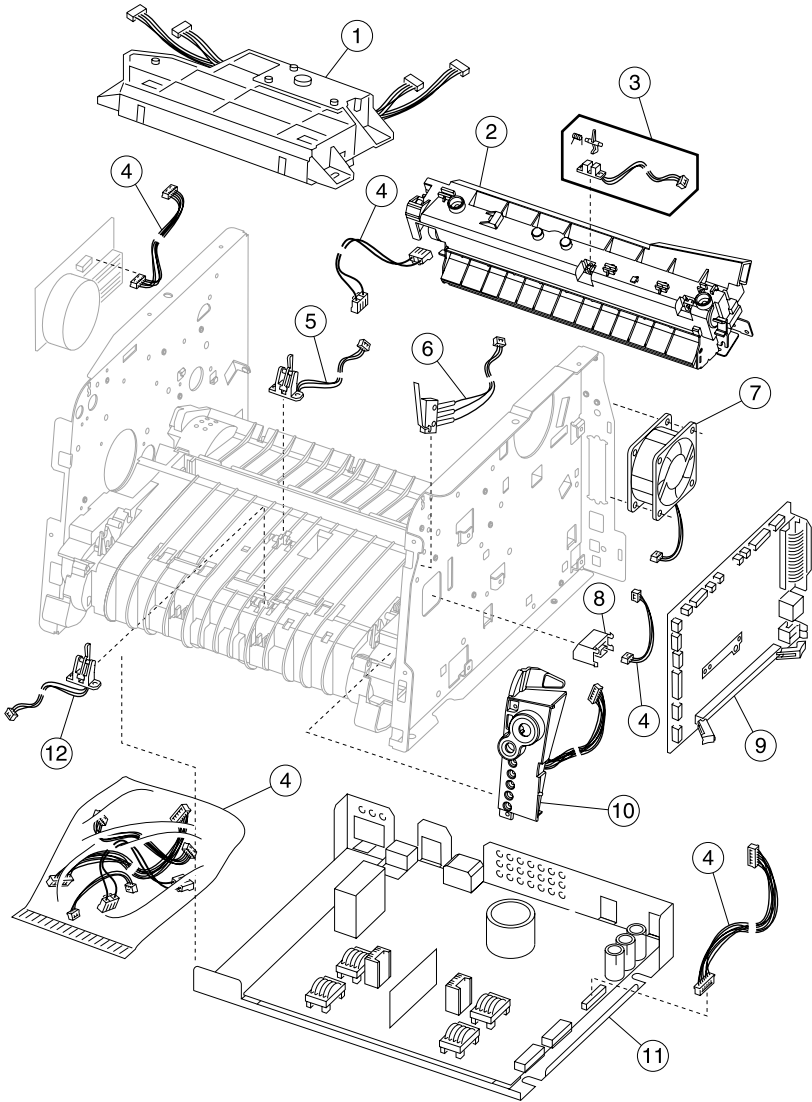
Assembly 1: Covers



Assembly 1: Covers

Index	P/N	Units	Description
1—1	56P2079	1	Cover assembly, top
2	56P2087	1	Cover assembly, rear
2	56P2098	1	Cover assembly, rear (white)
3	56P1821	1	Cover, right
3	56P2093	1	Cover, right (white)
4	56P2089	1	Drawer, optional
5	56P2090	1	Tray 2, optional
5	56P2084	1	Tray 2, optional (white)
6	56P2088	1	Tray, main
6	56P1834	1	Tray, main (white)
7	56P1832	1	Cover, logo plate E332n
7	56P2081	1	Cover, logo plate E330
7	56P2085	1	Cover, logo plate E232
7	56P1833	1	Cover, logo plate E230
7	56P2086	1	Cover, logo plate (plain)
7	56P2628	1	Cover, logo plate (white) E230
7	56P2096	1	Cover, logo plate (white) E330
7	56P2097	1	Cover, logo plate (white) E232
7	56P2629	1	Cover, logo plate (white) E332
7	56P2703	1	Cover, logo plate E234
8	56P1816	1	Cover assembly, front access (no logo)
8	56P2091	1	Cover assembly, front access (white)
9	56P2647	1	Springs, front door and ACM
10	56P2080	1	Cover, left
10	56P2095	1	Cover, left (white)

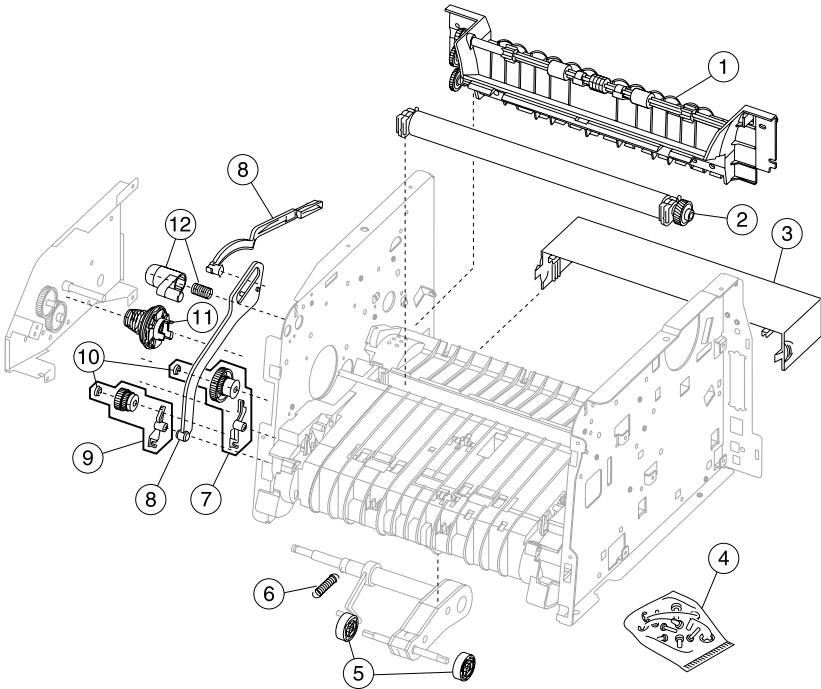
Assembly 2: Electronics




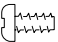

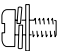

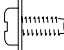


Assembly 2: Electronics

Index	P/N	Units	Description
2-1	56P1812	1	Print assembly, laser/mirror E232
1	56P1829	1	Print assembly, laser/mirror E330/E332n/E234/E234n
1	56P1830	1	Print assembly, laser/mirror E230
2	56P1810	1	Fuser assembly, 110 V
2	56P1811	1	Fuser assembly, 220 V
2	56P2070	1	Fuser assembly, 100 V
3	56P1826	1	Sensor, exit
4	56P2077	1	Cable assemblies, miscellaneous <ul style="list-style-type: none"> • Toner sensor • LVPS/HVPS to controller • Main drive motor (E23x/E330) • Main drive motor (E234n/E332n) • Fuser power
5	56P1824	1	Sensor, input #1
6	56P1827	1	Sensor, cover open
7	56P2072	1	Fan, cooling
8	56P2076	1	Sensor, toner level
9	56P3087	1	Card, controller E232
9	56P3088	1	Card, controller E330, E234
9	56P3089	1	Card, controller E332n, E234n
9	56P3086	1	Card, controller E230
10	56P1817	1	Operator panel assembly, operator panel with PCB assembly
10	56P2092	1	Operator panel assembly, operator panel with PCB assembly (white)
11	56P1818	1	Card assembly, LVPS/HVPS 110 V
11	56P1819	1	Card assembly, LVPS/HVPS 220 V
12	56P1825	1	Sensor, input #2 (manual)

Assembly 3: Frame



Assembly 3: Frame

Index	P/N	Units	Description
3-1	56P2078	1	Guide assembly, paper exit
2	56P1823	1	Transfer, roll, bearings, gear
3	56P1822	1	Cover, legal extender
3	56P2094	1	Cover, legal extender (white)
4	56P2646	N/A	Screws, miscellaneous (actual size)
			TP2NC-3.0+6P-Ni (quantity 2)
			 
			M3.0*0.5+6P-Ni,2 Washer (quantity 2)
			 
			MT3.0*0.5+6PF-Ni (quantity 5)
			 
			TP2NC-3.0+6PF-Ni (quantity 4)
			 
5	56P1820	2	Paper feed, rubber tires
6	56P2647	1	Springs, front door and ACM
7	56P2075	1	Clutch CBM, ACM
8	56P2083	1	Link CBM, door-fuser idle gear
9	56P2074	1	Clutch CBM, manual feed
10	56P2648	2	Rings, plastic snap
11	56P2073	1	Coupling assembly, developer drive
12	56P2082	1	Latch CBM, access cover

Assembly 4: Miscellaneous

This page intentionally left blank.

Assembly 4: Miscellaneous

Index	P/N	Units	Description
NS	56P1232	1	Adapter, US 802.11B wireless print
NS	56P1233	1	Adapter, INTL 802.11B wireless print
NS	56P1431	1	Adapter, MarkNet X2011E external
NS	56P1432	1	Adapter, MarkNet X2012E external
NS	56P1433	1	Adapter, MarkNet X2031E external
NS	56P1434	1	Adapter, MarkNet X2030 Token Ring external
NS	56P1435	1	Adapter, external serial
NS	1038693	1	Cable, serial, 50 foot (PSO)
NS	12A2405	1	Cable, packaged USB
NS	1329605	1	Cable, packaged parallel
NS	1427498	1	Cable, 20 foot parallel cable, with pack
NS	56P1417	1	Card assembly, 16MB flash
NS	56P1418	1	Card assembly, 32MB flash
NS	56P1427	1	Card assembly, OptraForms 32MB flash
NS	56P1428	1	Card assembly, OptraForms 16MB flash
NS	56P1429	1	Card assembly, simplified Chinese font
NS	56P1430	1	Card assembly, traditional Chinese font
NS	56P2231	1	Card assembly, Korean font
NS	56P0696	1	DIMM, 16MB PC100 SDR DIMM
NS	56P0697	1	DIMM, 32MB PC100 SDR DIMM
NS	56P0698	1	DIMM, 64MB PC100 SDR DIMM
NS	56P0699	1	DIMM, 128MB PC100 SDR DIMM
NS	7372839	1	Package assembly, field relocation
NS	1339520	1	Power cord, Spain, 8 foot (straight)
NS	11D0330	1	Power cord, Argentina
NS	1339528	1	Power cord, United Kingdom, 6 foot
NS	1339529	1	Power cord, Austria HV, 6 foot (straight)
NS	1339530	1	Power cord, Israel, 6 foot (straight)
NS	1339531	1	Power cord, Switzerland, 6 foot
NS	1339532	1	Power cord, South Africa, 6 foot
NS	1339533	1	Power cord, Italy, 6 foot (straight)
NS	1339534	1	Power cord, Danish, 6 foot (straight)
NS	1339548	1	Power cord, Brazil, 6 foot (straight)
NS	43H5545	1	Power cord, PRC, 1.77M (straight)
NS	56P9926	1	Software, Optra Forms
NS	56P9927	1	Software, Optra Forms director