



Electronic Accessories

Cable (Interface)

24540-80010	Centronics (parallel) cable - 36 pin (M) to 25 pin (M) - 2.0m (6.6ft) long
5063-1256	IEEE-1284 Bi-Tronics parallel cable - DB-25 (M) connector (type A) to 36 pin Centronics (M) connector (type B) - 2.0m (6.6ft) long
5063-1257	IEEE-1284 Bi-Tronics parallel cable - DB-25 (M) connector (type A) to 36 pin Centronics (M) connector (type B) - 3.0m (9.8ft) long
C2950A	IEEE-1284 Bi-Tronics parallel cable - DB-25 (M) connector (type A) to 36 pin Centronics (M) connector (type B) - 2.0m (6.6ft) long
5063-1256	<i>New Part for C2950A</i>
C2951A	IEEE-1284 Bi-Tronics parallel cable - DB-25 (M) connector (type A) to 36 pin Centronics (M) connector (type B) - 3.0m (9.8ft) long
C2990A	IEEE-1284 Bi-Tronics parallel cable - DB-25 (M) (type A) to 36 pin (M) Centronics (type B) - 1.8m (6ft) long NO LONGER SUPPLIED
C2991A	IEEE-1284 Bi-Tronics parallel cable - DB-25 (M) (type A) to 36 pin (M) Centronics (type B) - 3.0m (10ft) long NO LONGER SUPPLIED

Memory (Product)

C2065A	4MB, 80nS, 36-bit SIMM memory module - For HP LaserJet IIISi, 4/4M, 4Si/MX NO LONGER SUPPLIED
C2066A	8MB, 80nS, 36-bit SIMM memory module - For HP LaserJet IIISi, 4/4M, 4Si/MX

Memory (SIMM)

D2150-69001	1MB, 80nS, 36-bit SIMM memory module NO LONGER SUPPLIED
D2152-69001	8MB, 80nS, 36-bit SIMM memory module REQUIRES RETURN OF DEFECTIVE PART
D2152-63001	<i>New Part for D2152-69001</i>
D2156-69001	4MB, 80nS, 36-bit SIMM memory module REQUIRES RETURN OF DEFECTIVE PART
D2156-63001	<i>New Part for D2156-69001</i>
D2381-63001	2MB, 80nS, 36-bit SIMM memory module

PostScript

C2865A	Postscript level 2 module - Includes SIMM module - Includes driver disks and installation guide NO LONGER SUPPLIED
--------	---

Electronics/Power Supply

Control Panel

15	C1676-60090	Control panel assembly - Includes PC board, switches and cable NO LONGER SUPPLIED
----	-------------	--

Fan

3160-0831	Tubeaxial fan (Matsushita FBA-09A12H1A-MOD) - 12VDC, 250mA, 3.0 watts, 2750RPM, 35dB, 80cfm - Housing dimensions 92mm x 92mm x 25.5mm - Mounting hole center spacing 82.5mm - Plastic housing and impeller, plug-in type termination NO LONGER SUPPLIED
-----------	--

PC Board

17	C1676-60163	Controller board - Provides control logic for the printer mechanical functions NO LONGER SUPPLIED
18	C1676-69102	Main logic board assembly NO LONGER SUPPLIED
19	C1676-60162	Main logic board assembly NO LONGER SUPPLIED



Electronics/Power Supply

Power Cord

8120-1351	Power cord (Mint Gray) - 17 AWG, 2.3m (7.5ft) long - Has straight (F) receptacle (For 240V in the UK, Hong Kong, Singapore, Malaysia, and Brunei)
8120-1369	Power cord (Mint Gray) - 17 AWG, 2.0m (6.6ft) long - Has straight (F) receptacle (For 240V in Australia, New Zealand, and China)
8120-1378	Power cord (Jade Gray) - 18 AWG, 2.3m (7.5ft) long - Has straight (F) receptacle (For 120V in USA, Canada, Latin America, Korea, Taiwan, Thailand, Spain, Brazil, and Vietnam)
8120-1689	Power cord (Mint Gray) - 17 AWG, 2.0m (6.6ft) long - Has straight (F) receptacle (For 220V in Europe, Bangladesh, Indonesia, Pakistan, Burma, Sri Lanka, and Vietnam)
8120-2104	Power cord (Mint Gray) - 2.0m (6.6ft) long - Has straight (F) receptacle (For 220V in Switzerland)
8120-2956	Power cord (Mint Gray) - 2.0m (6.6ft) long - Has straight (F) receptacle (For 220V in Denmark)
8120-4211	Power cord (Mint Gray) - 17 AWG, 2.0m (6.6ft) long - Has straight (F) receptacle (For 240V in South Africa and India)

Power Supply

27	0950-2426R	Power supply/motor controller assembly (Delta DPS-130FP) - 100-254VAC input, 47-63Hz - 5V/35VDC output, 130 watts NO LONGER SUPPLIED
28	0950-2524	Power supply assembly analog board - 147 watts, Three DC outputs (5V, 16V, 35V) NO LONGER SUPPLIED

External Case Parts

Case

29	C1676-40124	Front half of top case - Available for trade sales in Europe and Asia/Pacific - Available for authorized service centers only in USA NO LONGER SUPPLIED
30	C1676-40125	Rear half of top case - Available for trade sales in Europe and Asia/Pacific - Available for authorized service centers only in USA NO LONGER SUPPLIED

Cover

31	C1676-40152	Front/top lift-up access cover - Does NOT include nameplate - Available for trade sales in Europe and Asia/Pacific - Available for authorized service centers only in USA NO LONGER SUPPLIED
32	C1676-40192	Inner rear cover - Half moon shaped cover that attaches to fold down center rear cover - Available for trade sales in Europe and Asia/Pacific - Available for authorized service centers only in USA NO LONGER SUPPLIED
	C1676-40252	Fold down center rear cover - Does NOT include inner rear cover or envelope adjust lever NO LONGER SUPPLIED
	C1676-60148	Top cover assembly - All plastic top cover pieces NO LONGER SUPPLIED

Deflector

35	C1676-60168	Paper deflector - Black, curved, ribbed plastic piece with a green pull ring (Called a 'Media plug' in the users manual) NO LONGER SUPPLIED
----	-------------	--

Hardware

36	0515-2296	Knurled head machine thumbscrew - M3.0 x 0.5, 7mm long, Torx T15 recess with slot - Steel, zinc/bake clear chromate finish NO LONGER SUPPLIED
----	-----------	--

Hinge

37	C1676-40206	Hinge - Holds top cover to top case NO LONGER SUPPLIED
----	-------------	---

Label

	C1676-00003	Label - FGI serial label NO LONGER SUPPLIED
	C1676-00006	Warning label (Bright Yellow) - With universal 'HOT' symbol NO LONGER SUPPLIED



External Case Parts

Nameplate/Logo

40 C1676-00001 Nameplate - C1676A DeskJet 1200C printer
NO LONGER SUPPLIED

Overlay

41 C1676-60041 Overlay - 'Snap on' cover for the control panel function keys and indicator lights (English)
NO LONGER SUPPLIED

42 C1676-60042 Overlay - 'Snap on' cover for the control panel function keys and indicator lights (Danish)
NO LONGER SUPPLIED

43 C1676-60043 Overlay - 'Snap on' cover for the control panel function keys and indicator lights (Swedish)
NO LONGER SUPPLIED

44 C1676-60044 Overlay - 'Snap on' cover for the control panel function keys and indicator lights (German)
NO LONGER SUPPLIED

45 C1676-60045 Overlay - 'Snap on' cover for the control panel function keys and indicator lights (French)
NO LONGER SUPPLIED

46 C1676-60046 Overlay - 'Snap on' cover for the control panel function keys and indicator lights (Spanish)
NO LONGER SUPPLIED

47 C1676-60047 Overlay - 'Snap on' cover for the control panel function keys and indicator lights (Italian)
NO LONGER SUPPLIED

48 C1676-60048 Overlay - 'Snap on' cover for the control panel function keys and indicator lights (Japanese)
NO LONGER SUPPLIED

49 C1676-60049 Overlay - 'Snap on' cover for the control panel function keys and indicator lights (Dutch)
NO LONGER SUPPLIED

50 C1676-60050 Overlay - 'Snap on' cover for the control panel function keys and indicator lights (Norwegian)
NO LONGER SUPPLIED

51 C1676-60051 Overlay - 'Snap on' cover for the control panel function keys and indicator lights (Finnish)
NO LONGER SUPPLIED

Plate

52 C1676-00076 Cover Plate - For optional MIO interface board slot
NO LONGER SUPPLIED

Tray Kit

53 C1676-60122 Tray kit - Includes lower input and upper output trays
NO LONGER SUPPLIED

Optional Interfaces

Interface (Product)

J2550B EtherTwist (10Base-T) LAN interface board
NO LONGER SUPPLIED

J2552B LAN & LocalTalk interface - Has EtherTwist (10Base-T) , ThinLAN (10Base-2) , and LocalTalk (DIN-8) connectors
NO LONGER SUPPLIED

J2555B Token ring LAN interface board - DB-9 and RJ-45 connectors
NO LONGER SUPPLIED

PC Board (Interface)

J2371-69001 EtherTwist 10Base-T interface board
NO LONGER SUPPLIED

J2372-69001 LAN interface board with EtherTwist 10Base-T and ThinLAN 10Base-2 connectors

J4100-69001 New Part for J2372-69001

J2373-60001 Token ring interface board - Has DB-9 connector
NO LONGER SUPPLIED

J2550-69013 EtherTwist 10Base-T LAN interface board

J2552-69013 LAN and LocalTalk interface - EtherTwist (10Base-T), ThinLAN (10Base-2), and LocalTalk (DIN-8) connectors

J2555-69013 Token ring LAN interface board - DB-9 and RJ-45 connectors



Other Accessories

Cartridge

63	51640A	Black print cartridge (w/ level indicator) - Prints approx.1120 pages based on 5% density on a 8 inch by 10 inch print area (for USA)
64	51640AA	Black print cartridge (with level indicator) - Prints approx.1120 pages based on 5% density on a 8 inch by 10 inch print area (for Asia/Pacific)
65	51640AE	Black print cartridge (with level indicator) - Prints approx.1120 pages based on 5% density on a 8 inch by 10 inch print area (for Europe)
66	51640AL	Black print cartridge (with level indicator) - Prints approx.1120 pages based on 5% density on a 8 inch by 10 inch print area (for Latin America)
67	51640C	Cyan (Blue) ink cartridge - (with level indicator) - Prints approximately 700 pages at 15% density (for USA)
68	51640CA	Cyan (Blue) ink cartridge - (with level indicator) - Prints approximately 700 pages at 15% density (for Asia/Pacific)
69	51640CE	Cyan (Blue) ink cartridge - (with level indicator) - Prints approximately 700 pages at 15% density (for Europe)
70	51640CL	Cyan (Blue) ink cartridge - (with level indicator) - Prints approximately 700 pages at 15% density (for Latin America)
71	51640M	Magenta (Red) ink cartridge (with level indicator) - Prints approximately 700 pages at 15% density (for USA)
72	51640MA	Magenta (Red) ink cartridge (with level indicator) - Prints approximately 700 pages at 15% density (for Asia/Pacific)
73	51640ME	Magenta (Red) ink cartridge (with level indicator) - Prints approximately 700 pages at 15% density (for Europe)
74	51640ML	Magenta (Red) ink cartridge (with level indicator) - Prints approximately 700 pages at 15% density (for Latin America)
75	51640Y	Yellow ink cartridge (with level indicator) - Prints approximately 700 pages at 15% density (for USA)
76	51640YA	Yellow ink cartridge (with level indicator) - Prints approximately 700 pages at 15% density (for Asia/Pacific)
77	51640YE	Yellow ink cartridge (with level indicator) - Prints approximately 700 pages at 15% density (for Europe)
78	51640YL	Yellow ink cartridge (with level indicator) - Prints approximately 700 pages at 15% density (for Latin America)

Label

C1686-00001	Postscript upgrade label NO LONGER SUPPLIED
-------------	--

Manual

5962-9923	Printer family TSSG (Technical Support Solutions Guide - English) NO LONGER SUPPLIED
C1676-90041	C1676A/C1786A DeskJet 1200C/PS - User's guide (English) NO LONGER SUPPLIED
C1676-90042	C1676A/C1786A DeskJet 1200C/PS - User's guide (Spanish/French) NO LONGER SUPPLIED
C1676-90044	C1676A/C1786A DeskJet 1200C/PS - User's guide (German) NO LONGER SUPPLIED
C1676-90045	C1676A/C1786A DeskJet 1200C/PS - User's guide (French) NO LONGER SUPPLIED

Manual Kit

C1676-60171	DeskJet 1200C manual kit - Includes manuals, paper, software that is shipped with printer NO LONGER SUPPLIED
-------------	---

Return Kit

5183-5268	Return kit with box and instructions - For returning defective Thermal InkJet (TIJ) 2.5 InkJet cartridges covered under the CREW program - For USA
5184-2833	Return kit with box and instructions - For returning defective Thermal InkJet (TIJ) 2.5 InkJet cartridges covered under the CREW program - For use outside of the USA

Paper and Other Media

Film (Transparency)

C3835A	Premium InkJet transparency film - A4 size (21.0cm x 29.7cm) - 50 sheets per package
C6053A	Premium InkJet rapid-dry transparencies - A4 size (21.0cm x 29.7cm) - 50 sheets per package NO LONGER SUPPLIED
C3834A	Premium InkJet transparency film - A size (8.5 x 11-inches) - 50 sheets per package

Paper and Other Media**Film (Transparency)**

C6051A Premium InkJet rapid-dry transparencies - A size (8.5 x 11-inches) - 50 sheets per package
NO LONGER SUPPLIED

Greeting Card Kit

C6587AN Printable Expressions all occasions card kit - Includes 20 greeting cards and envelopes, and a CD-ROM with 24 original pieces of art
NO LONGER SUPPLIED

Paper

C1812A Greeting card paper pack (White) - A size (8.5 x 11-inches) - Includes 20 sheets and 20 envelopes

C6828A Greeting card paper pack (White) - A size (8.5 x 11-inches) - Felt textured - Includes 20 sheets and 20 envelopes

Paper (Glossy)

C3837A Premium glossy InkJet paper - A4 size (21.0cm x 29.7cm) - 50 sheets per package

C3836A Premium glossy InkJet paper - A size (8.5 x 11-inches) - 50 sheets per package

C6817A Professional glossy InkJet brochure and flyer paper - Glossy on both sides - A size (8.5 x 11-inches) - 50 sheets per box

Paper (InkJet Photo)

C6983A Photo quality InkJet paper - With two sided semi-gloss finish - A size (8.5 x 11-inches) - 25 sheets per package

C7007A Photo quality InkJet paper - With two sided matte finish - A size (8.5 x 11-inches) - 100 sheets per package

Paper (InkJet)

C1824A Bright white InkJet paper - A size (8.5 x 11-inches) - 500 sheets per package

51630Z Color InkJet CX cut sheet paper - A4 size (21.0cm x 29.7cm) - 200 sheets per package
NO LONGER SUPPLIED

51634Z InkJet non-glossy LX paper - A4 size (21.0cm x 29.7cm) - 200 sheets per package

51630Y Color InkJet CX cut sheet paper - A size (8.5 x 11-inches) - 200 sheets per package
NO LONGER SUPPLIED

51634Y InkJet non-glossy LX paper - A size (8.5 x 11-inches) - 200 sheets per package

C5976A Bright white InkJet paper - A size (8.5 x 11-inches) - 200 sheets per package

C5976B Bright white InkJet paper - A size (8.5 x 11-inches) - 250 sheets per package

Paper (Matte)

C6955A Professional and flyer paper (Matte) - A size (8.5 x 11-inches) - 50 sheets

C7018A Matte greeting cards (White) - Half fold - A size (8.5 x 11-inches)

Paper (Photo)

C1846A Photo paper - A size (8.5 x 11-inches) - 20 sheets per package

C6039A Premium glossy photo paper (Fast dry time) - A size (8.5 x 11-inches) - 15 sheets per package

C6979A Premium glossy photo paper (fast dry time) - A size (8.5 x 11-inches) - 50 sheets per package

Paper (Textured)

C7019A Textured greeting card - White half fold - A size (8.5 inches x 11 inches)

Print Mechanism Parts**Absorber**

113 C1676-00090 Service station absorber - Available for trade sales in Europe and Asia/Pacific - Available for authorized service centers only in USA
NO LONGER SUPPLIED

114 C1676-40175 Sled filter - Available for trade sales in Europe and Asia/Pacific - Available for authorized service centers only in USA
NO LONGER SUPPLIED

115 C1676-40209 Base absorber - Available for trade sales in Europe and Asia/Pacific - Available for authorized service centers only in USA
NO LONGER SUPPLIED



Print Mechanism Parts

Arm

- 116 C1676-40133 Clutch arm (Rocker shim) - Arm in left chassis assembly that engages gears in the pick motor gear assembly
NO LONGER SUPPLIED

Belt

- 117 C1676-40256 Carriage belt
NO LONGER SUPPLIED

Bracket

- C1676-60146 Bracket (for ink cartridge wipers) - For printers with a serial number prefix of USB and USC ONLY

Cable

- 119 C1676-60092 Carriage assembly trailing cable
NO LONGER SUPPLIED

Cap

- 120 C1676-40245 Cartridge cap - Keeps cartridges from drying out when carriage is parked in the service station - Only for printers with a serial number prefix of USB, USC, or SGC
C3190-40076 Cartridge cap - Keeps cartridges from drying out when carriage is parked in service station
NO LONGER SUPPLIED

Drive Assembly

- 122 C1676-60356 Center drive assembly - Includes paper drive motor, drive rollers and starwheels
NO LONGER SUPPLIED

Encoder

- C1676-20014 Encoder strip (clear strip with position marks) - Used by the sensor in the carriage assembly to determine position
NO LONGER SUPPLIED

Filter

- 124 C1676-00028 Air filter - Available for trade sales in Europe and Asia Pacific - Available for authorized service centers only in USA
NO LONGER SUPPLIED

Gear

- 125 C1676-40145 Idler gear
NO LONGER SUPPLIED

Gear Assembly

- 126 C1676-60026 Cluster gear assembly
NO LONGER SUPPLIED

Hardware

- 127 C3540-00065 Left shim (metal) - On left side of heater grill
NO LONGER SUPPLIED

Heater

- 128 C1676-60120 Heater and lower guide assembly
NO LONGER SUPPLIED

Holder

- 129 C1676-40248 Holder - For platten lock clip

Lock

- 130 C1676-40247 Platen lock clip
NO LONGER SUPPLIED

Motor

- 131 C1676-60059 Paper pick-up motor
NO LONGER SUPPLIED
132 C1676-60265 Paper pick-up motor
NO LONGER SUPPLIED



Print Mechanism Parts

Platen

- 133 C1676-60012 Platen Assembly - Plate that lifts paper to the pickup roller assembly - Available for trade sales in Europe and Asia/Pacific - For authorized service centers only in USA

Roller

- 134 C3540-60234 Pickup roller assembly - Shaft with 2 rollers - Picks paper from paper input tray
NO LONGER SUPPLIED

Spring

- C1676-80005 Spring assembly on left end of encoder strip
NO LONGER SUPPLIED

Support

- 136 C1676-60174 Front carriage support - Includes the four star wheels
NO LONGER SUPPLIED

Switch

- 137 C1676-60088 Interlock switch - Disables printer when access door is open
NO LONGER SUPPLIED

Wiper

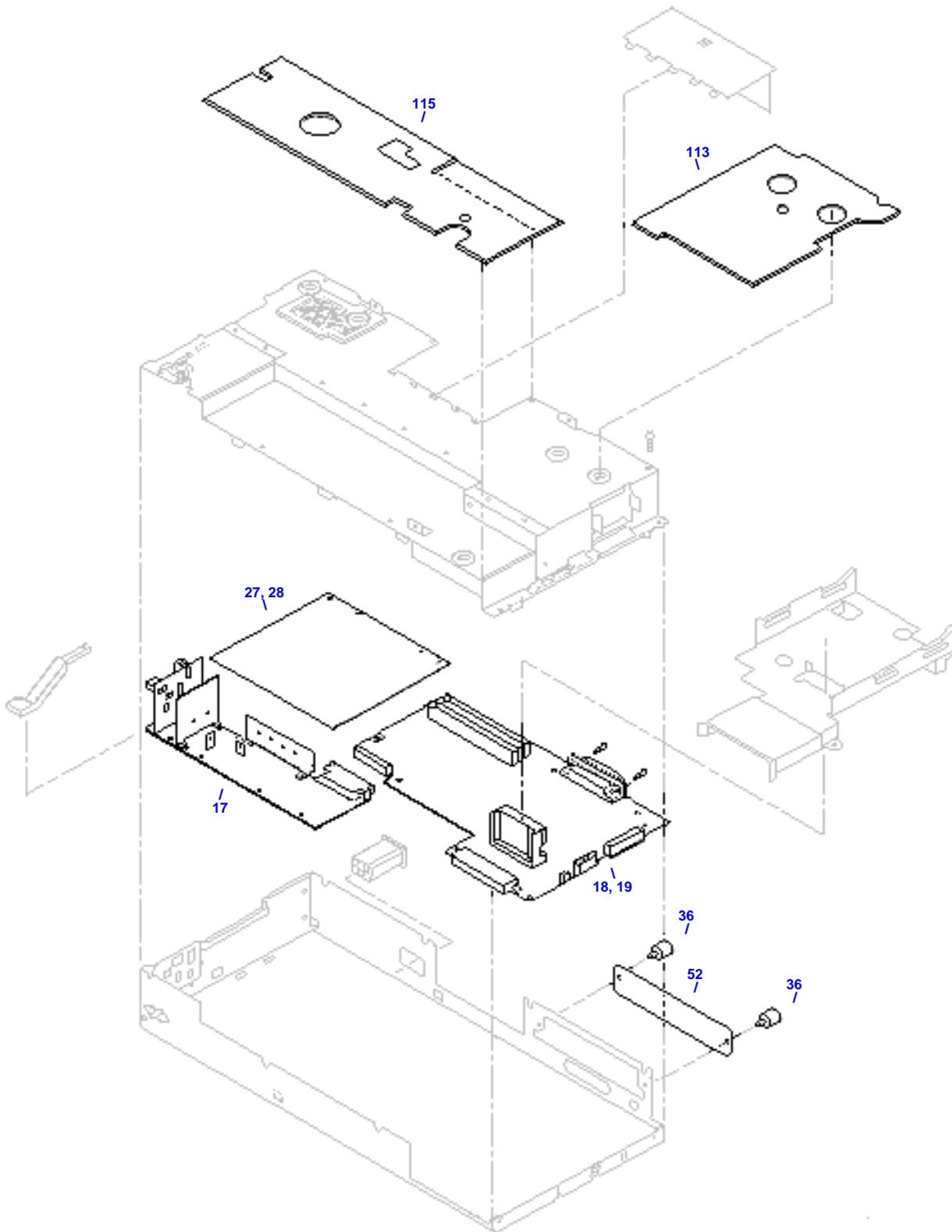
- C1676-40169 Cartridge wiper assembly - For the three color cartridges
NO LONGER SUPPLIED
- C1676-40220 Cartridge wiper - For the black cartridge
NO LONGER SUPPLIED

Replacement Printers

DeskJet

- C1676-69100 Replacement DeskJet 1200C (for serial number prefix of USA ONLY) - For HP repair use ONLY
NO LONGER SUPPLIED
- C1676-69150 Replacement DeskJet 1200C (for serial number prefix of USA, USB, USC, or SGC) - For sale in Europe ONLY
- C1676-69300 Replacement DeskJet 1200C (for serial number prefix of USB, USC, or SGC) - For HP repair use ONLY
NO LONGER SUPPLIED

Base Assembly Parts



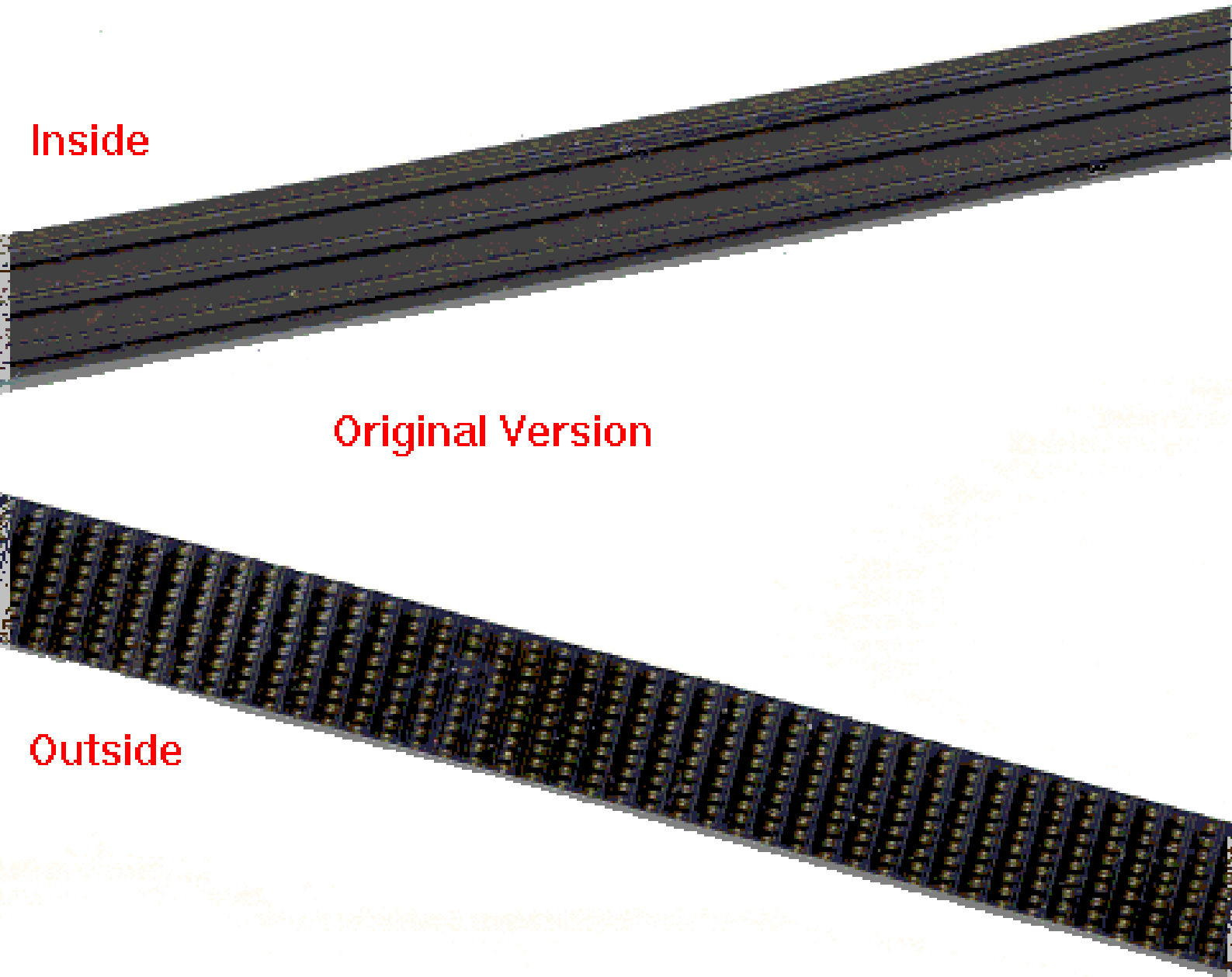
Carriage Belt

17
V

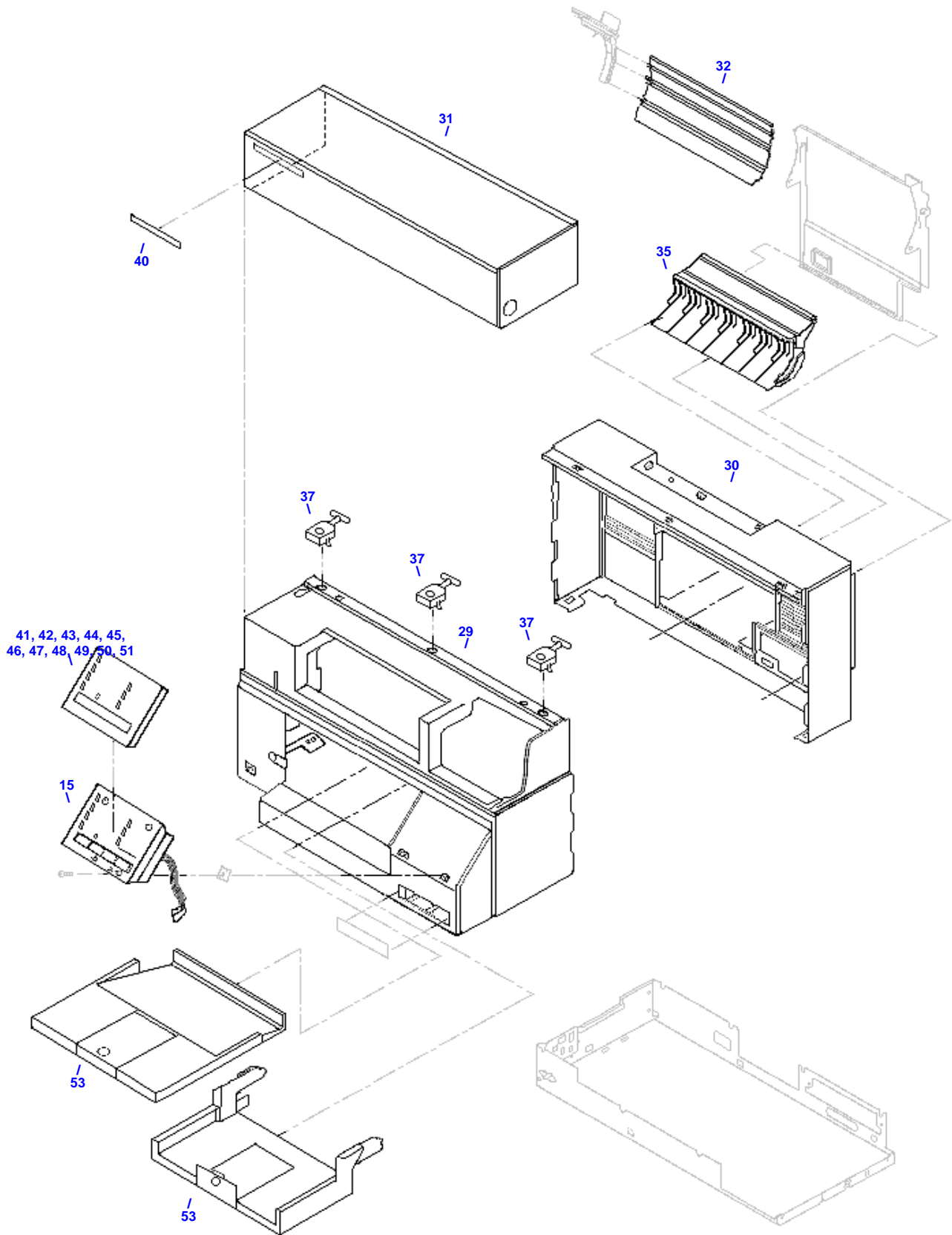
Inside

Original Version

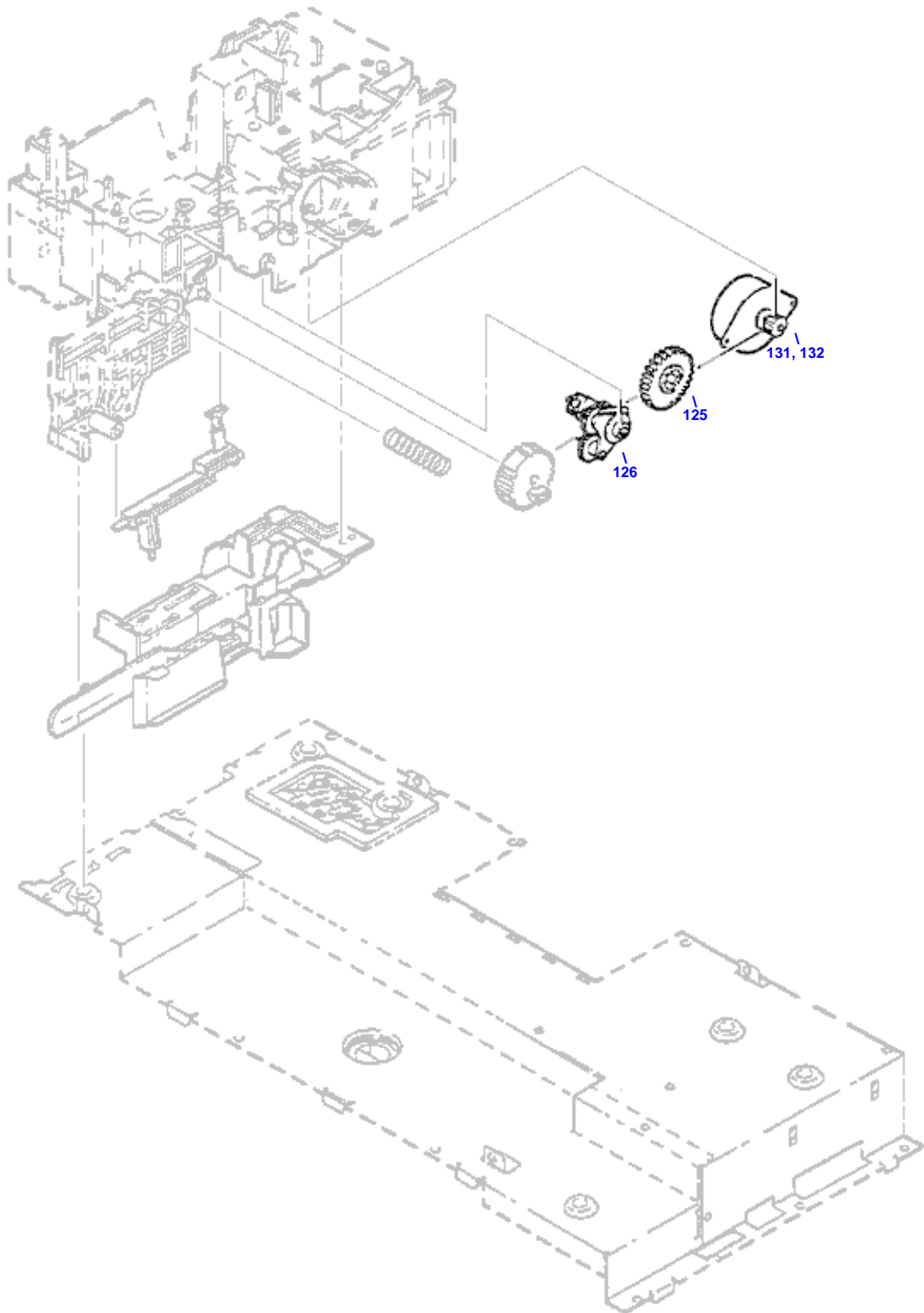
Outside



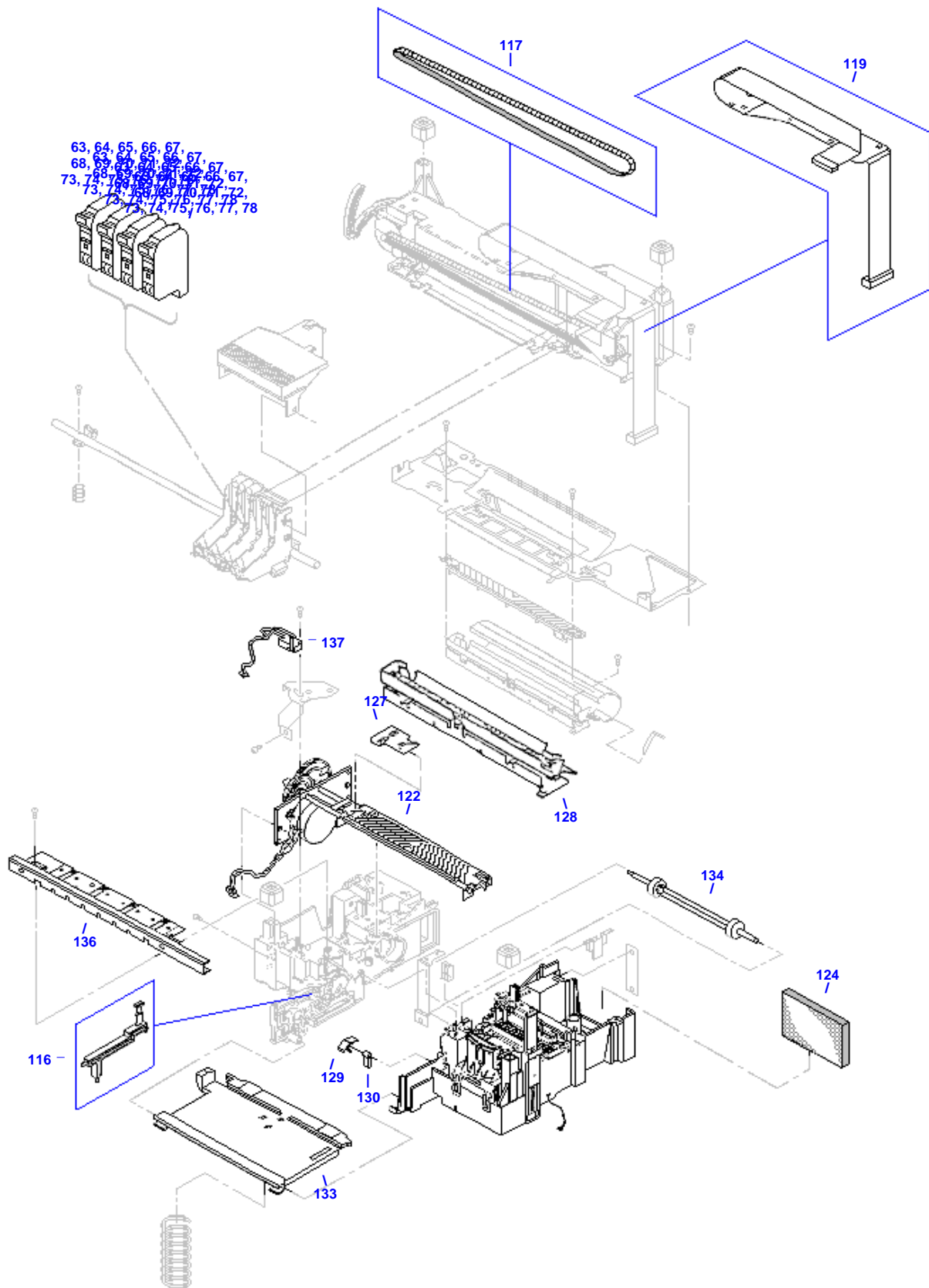
External Case Parts



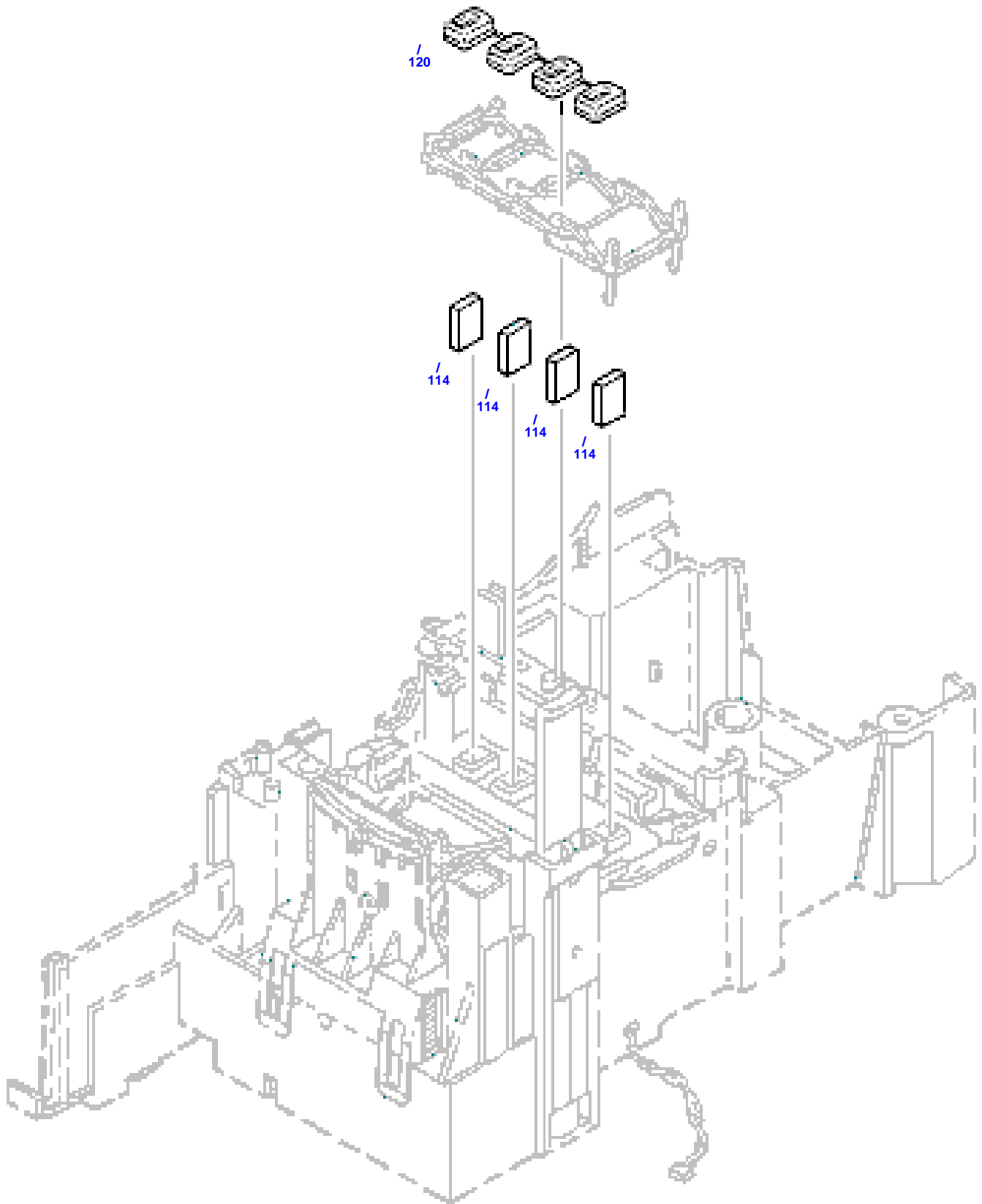
Left Chassis Parts



Print Mechanism Assembly



Right Chassis Parts





HP Parts Reference Guide

<http://www.hp.com/go/parts>

HP PartSurfer

<http://partsurfer.hp.com>

HP Parts Ordering Information

<http://www.hp.com/go/hpparts>

HP Parts Questions/Comments

<http://partsurfer.hp.com/contactus.htm>