



MINOLTA

Parts Catalog

The essentials of imaging

Di2510/Di2510f

4032-211

PREFACE

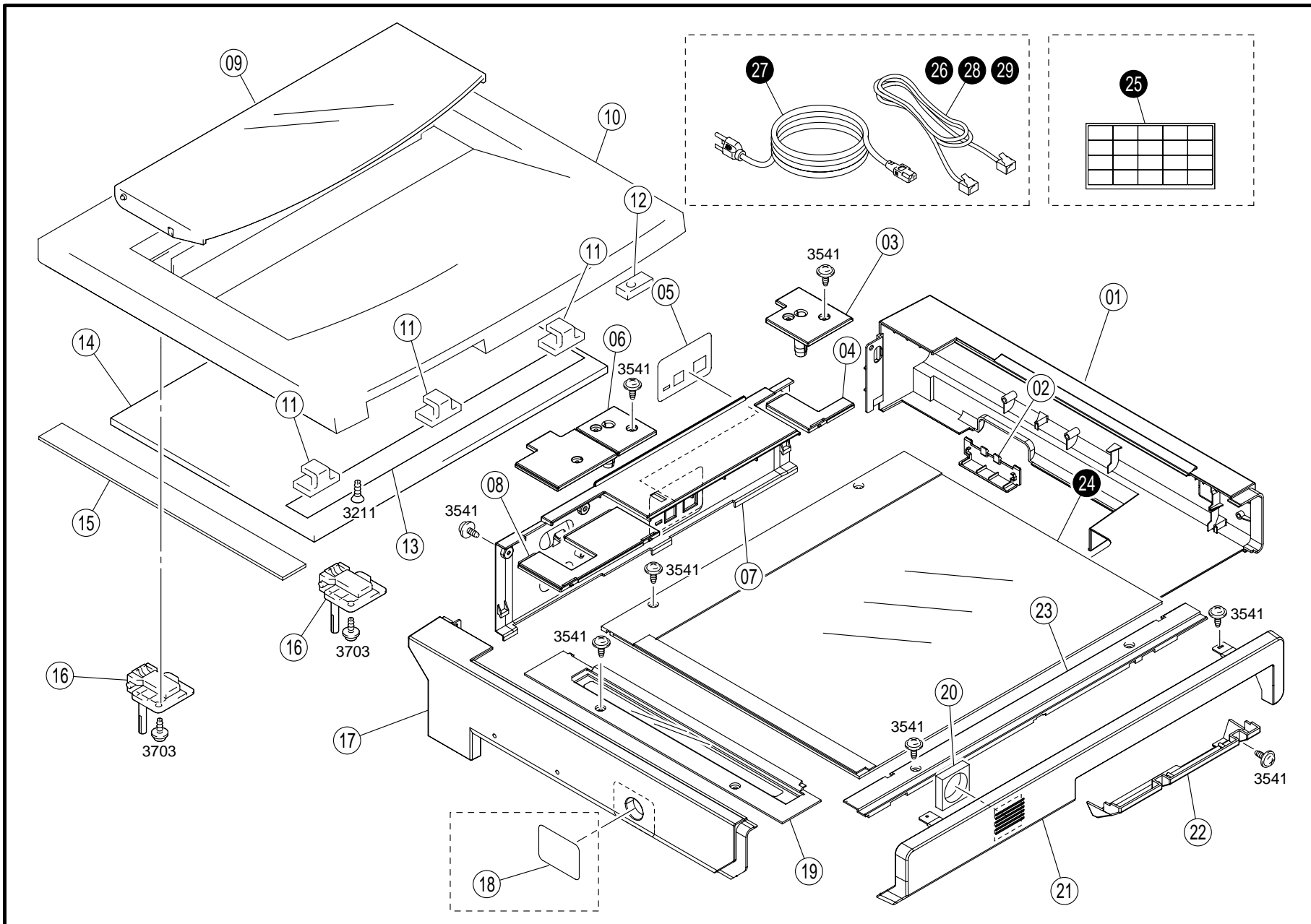
1. The part numbers listed in Parts Catalog are those which were assigned to the parts making up the machine at the time machine was originally introduced onto the market.
2. Parts whose INDEX numbers are shown white against a black background in the illustration are those to be used in only certain market areas. These part numbers are given in the lower half part of the list section. Check the SFIX No. listed in SFIX CHART on page II to find which part number is applicable to your own area.
3. Parts whose INDEX numbers are shown black against a white background in the illustration are those to be used in all market areas. These parts are listed on the upper half part of the list section.
4. If "NS" follows a part number given in the list section, it indicates that we do not keep a stock of the part. The part is not required for ordinary service jobs, either.
5. If "RP" is shown in the REC column of the list section, it indicates that the part is functionally important.
6. In the exploded views in this Parts Catalog the parts (Screws & Washes, etc...) which are indicated with a "four-digit" numbers are listed in numerical order in the section "SCREWS AND WASHERS". Please check these "four-digit" numbers with the part numbers ("ten-digit" numbers) which should be used for ordering the part.
7. All part numbers consist of "ten-digit" which should all be quoted when ordering a part. The price of parts can be obtained by referring to the "Parts Price List" which is separately issued.
8. All information contained in this Parts Catalog is subject to change.

SFIX CHART

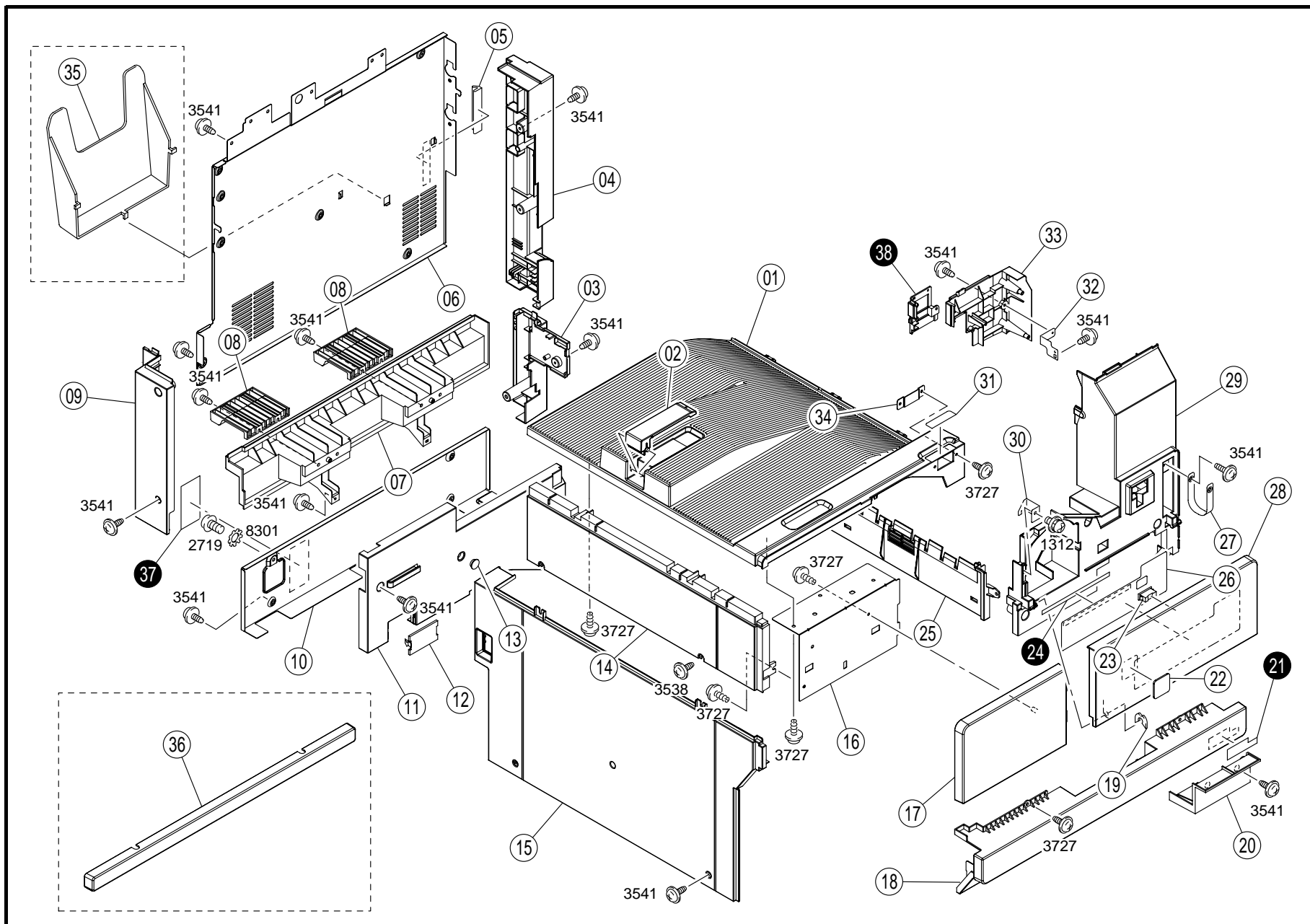
SFIX No.	COUNTRY	VOLTAGE	FREQUENCY (Hz)	PAPER SIZE	SFIX No.	COUNTRY	VOLTAGE	FREQUENCY (Hz)	PAPER SIZE
001	JAPAN FAX	100V	50/60	METRIC	301	USA/CANADA L AMERICA FAX	120-127V	60	INCH
011	JAPAN COPIER	100V	50/60	METRIC	303	TAIWAN FAX	110V	60	METRIC
201	EUROPE FAX	220-240V	50/60	METRIC	304	S ARABIA/BRAZIL FAX	120-127V	60	METRIC
202	THIRD AREA FAX	220-240V	50/60	METRIC	307	FEDERAL GOVERNMENT	120-127V	60	INCH
211	EUROPE COPIER	220-240V	50/60	METRIC	311	USA/CANADA L AMERICA COPIER	120-127V	60	INCH
212	THIRD AREA COPIER	220-240V	50/60	METRIC	313	TAIWAN COPIER	110V	60	METRIC
214	PHILIPPINE	220-240V	50/60	INCH	314	S ARABIA/BRAZIL COPIER	120-127V	60	METRIC
216	CHINA	220-240V	50/60	METRIC					

CONTENTS

1.	HOUSING (A)	1
2.	HOUSING (B)	3
3.	CONTROL PANEL	5
4.	OPTICAL FRAMES	7
5.	BOOK SCANNER	9
6.	FRAMES (A)	11
7.	FRAMES (B)	13
8.	FRAMES (C)	15
9.	UPPER PAPER TAKE-UP SECTION	17
10.	LOWER PAPER TAKE-UP SECTION (A)	19
11.	LOWER PAPER TAKE-UP SECTION (B)	21
12.	MANUAL FEED SECTION (A)	23
13.	MANUAL FEED SECTION (B)	25
14.	HOPPER SECTION	27
15.	IMAGING UNIT	29
16.	PAPER TRANSPORT SECTION	31
17.	TRANSFER SECTION	33
18.	DRIVE SECTION (A)	35
19.	DRIVE SECTION (B)	37
20.	FUSING SECTION (A)	39
21.	FUSING SECTION (B)	41
22.	ELECTRICAL COMPONENTS	43
23.	PAPER TRAY UNIT	45
24.	SWITCHBACK UNIT	47
25.	DUPLEX UNIT	49
26.	WIRING ACCESSORIES AND JIGS	51
27.	SCREWS AND WASHERS	53
28.	NUMERICAL INDEX	54

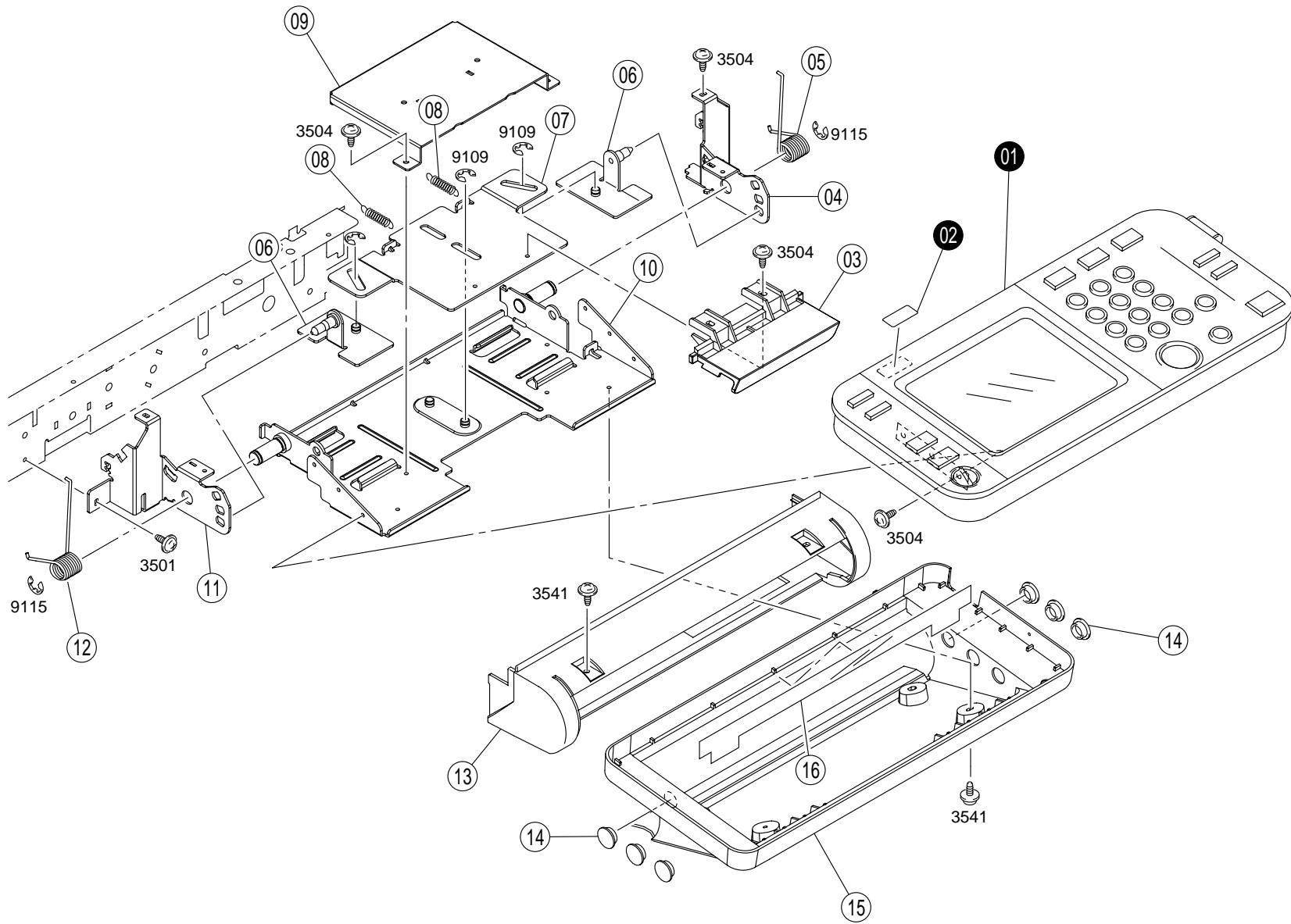


INDEX	PART NO.	PART NAME	REC	QTY	INDEX	PART NO.	PART NAME	REC	QTY
01	4030-1505-03	COVER		1	19	4384-1008-01	ORIGINAL GLASS		1
02	4030-1508-02	COVER		1	20	4030-1515-01	SEAL		1
03	4030-1510-01	COVER		1	21	4030-1501-02	COVER		1
04	4030-1507-01	COVER		1	22	4030-1502-01	COVER		1
05	4030-7328-02	LABEL		1	23	4384-1049-01	COVER		1
06	4030-1509-01	COVER		1					
07	4030-1504-02	COVER		1					
08	4030-1506-01	COVER		1					
09	1171-1126-01	ORIGINAL HOLDER		1					
10	1171-1125-02	COVER		1					
11	1139-1703-02	SLIDER		3					
12	9326-2300-11	MAGNET		1					
13	1139-1706-01	SEAL		1					
14	1139-1704-14	PAD		1					
15	4030-1511-01	COVER		1					
16	1139-1705-01	HINGE		2					
17	4030-1503-02	COVER		1					
18	4030-7329-01	LABEL		1					
INDEX	PART NO.	PART NAME	REC	QTY	SFIX				
24	4384-1009-01	ORIGINAL GLASS		1	001, 011				
24	4384-1010-01	ORIGINAL GLASS		1	214, 301, 307, 311				
24	4384-1011-01	ORIGINAL GLASS		1	201, 202, 211, 212, 216, 303, 304, 313, 314				
25	4030-7310-01	LABEL		1	001, 011, 201, 202, 211, 212, 216, 303, 304, 313, 314				
25	4030-7312-01	LABEL		1	214, 301, 307, 311				
26	4628-6801-01	WIRE HARNESS ASSY		1	001, 202, 301, 303, 304, 307				
27	9381-4101-22	POWER CORD		1	001, 011				
27	9381-4101-31	POWER CORD		1	301, 303, 307, 311, 313				
27	9381-4810-61	POWER CORD		1	202, 212, 214				
27	9381-4910-22	POWER CORD		1	216				
28	4628-6802-01	WIRE HARNESS ASSY		1	202				
29	4628-6803-01	WIRE HARNESS ASSY		1	202				



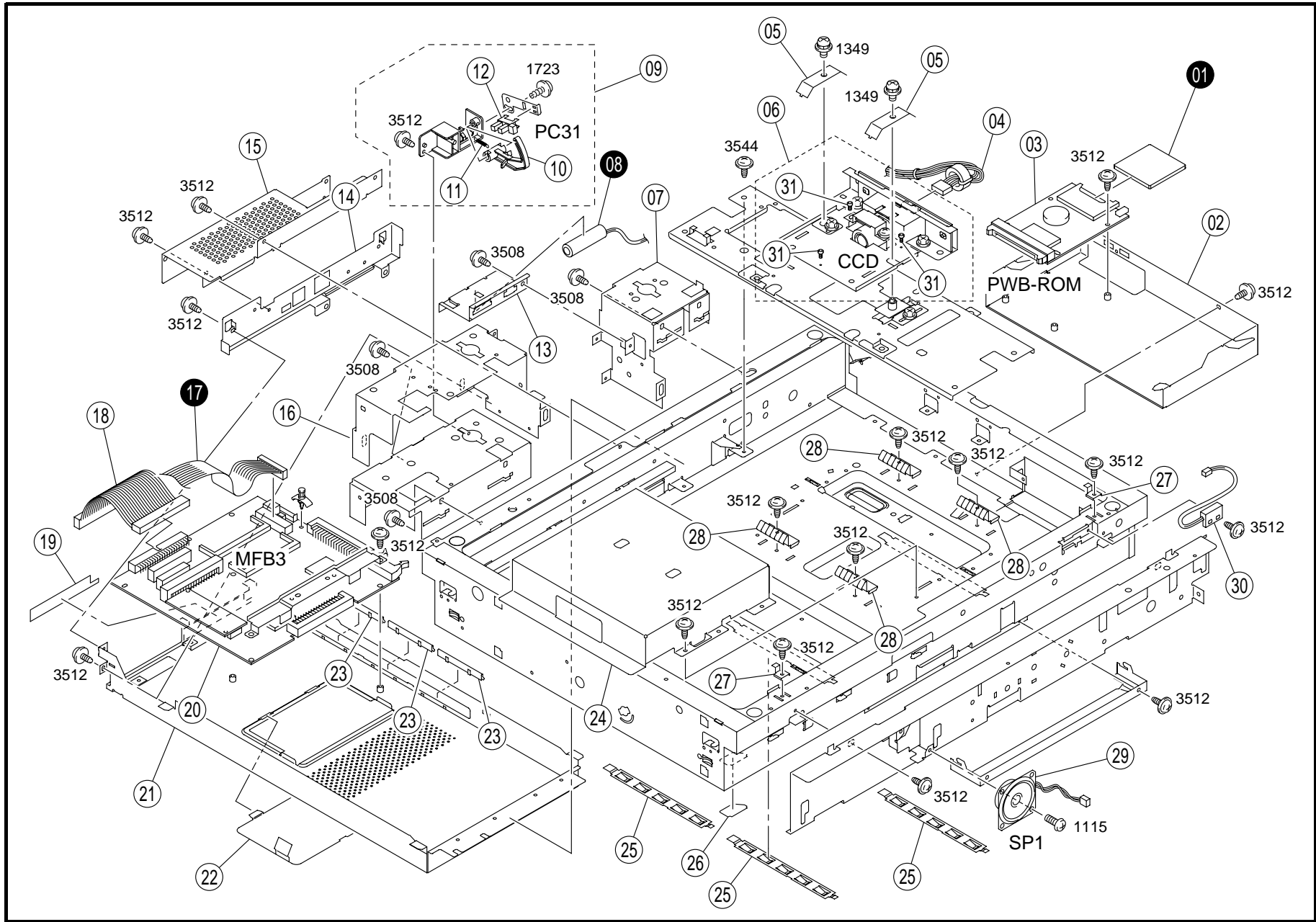
INDEX	PART NO.	PART NAME	REC	QTY	INDEX	PART NO.	PART NAME	REC	QTY
01	4030-1020-03	TRAY		1	19	1033-4402-01	STOPPER RING		1
02	4030-1027-02	REGULATING PLATE		1	20	4030-1005-02	COVER		1
03	4030-1015-04	RIGHT COVER		1	22	4028-7400-01	LABEL		1
04	4030-1014-03	RIGHT COVER		1	23	4030-1040-02	CATCH		1
05	9384-4300-11	ELECTRICALLY CONDUCTIVE		1	25	4030-1018-03	COVER		1
06	4030-1009-03	REAR COVER		1	26	4030-7313-01	LABEL		1
07	4030-1010-01	REAR COVER		1	27	4120-1014-02	BAND		1
08	4030-1013-01	HANDLE		2	28	4030-1001-03	FRONT COVER		1
09	4030-1006-03	LEFT COVER		1	29	4030-1004-04	COVER		1
10	4030-1011-02	REAR COVER		1	30	4030-5397-01 NS	STOPPER		1
11	4030-1012-03	REAR COVER		1	31	4030-7314-02	LABEL		1
12	4030-1030-02	COVER		1	32	4030-2311-01 NS	BRACKET		1
13	4030-1041-01	CAP		1	33	4030-1016-03	COVER		1
14	4030-1022-01	TRAY		1	34	4030-1025-02 NS	BRACKET		1
15	4030-1007-03	LEFT COVER		1	35	1156-7501-01	HOLDER		1
16	4030-1023-02 NS	TRAY		1	36	4030-1034-02	COVER		1
17	4030-1003-03	FRONT COVER		1					
18	4030-1002-02	FRONT COVER		1					

INDEX	PART NO.	PART NAME	REC	QTY	SFIX
21	4030-7327-01	LABEL		1	301, 307, 311
21	4032-7318-01	LABEL		1	011, 211, 212, 214, 216, 313, 314
21	4032-7319-01	LABEL		1	001, 201, 202, 303, 304
24	4031-7334-01	LABEL		1	001, 011
24	4032-7335-01	LABEL		1	202, 212, 214, 216, 301, 303, 304, 307, 311, 313, 314
24	4032-7336-01	LABEL		1	201, 211
37	4021-7337-01	LABEL		1	201, 211
38	4030-1017-02	COVER		1	011



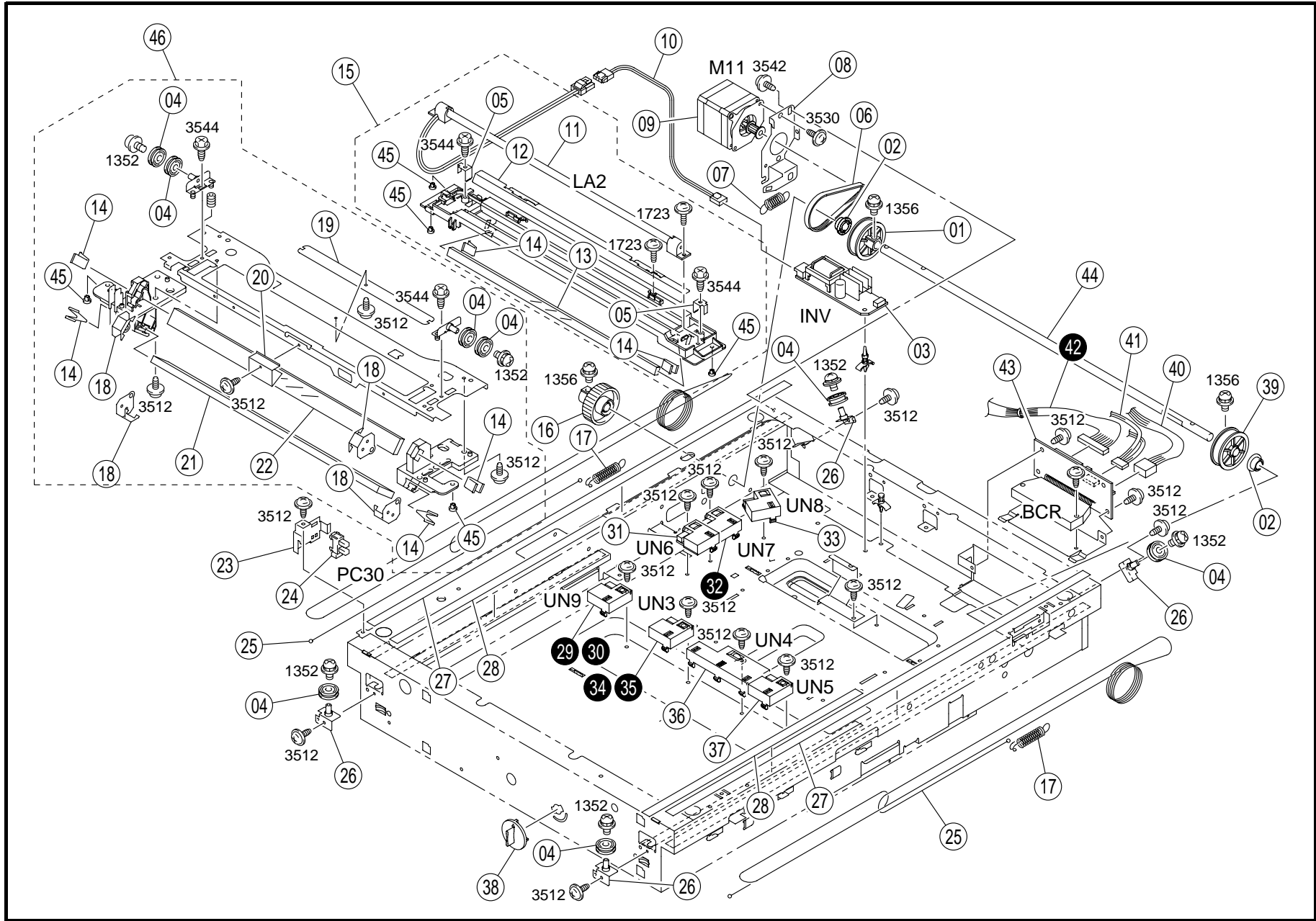
INDEX	PART NO.	PART NAME	REC	QTY	INDEX	PART NO.	PART NAME	REC	QTY
03	4030-1388-02	LEVER		1					
04	4030-1384-03	NS HOLD PLATE		1					
05	4030-1387-01	TORSION SPRING		1					
06	4030-1385-01	NS POSITIONING PLATE		2					
07	4030-1382-01	NS COUPLING		1					
08	4581-1389-01	NS TENSION SPRING		2					
09	4030-1390-03	NS BRACKET		1					
10	4030-1381-01	NS BRACKET		1					
11	4030-1383-02	NS HOLD PLATE		1					
12	4030-1386-01	TORSION SPRING		1					
13	4030-1052-01	COVER		1					
14	1171-1321-01	CAP		6					
15	4030-1051-01	COVER		1					
16	4030-1053-01	SEAL		1					

INDEX	PART NO.	PART NAME	REC	QTY	SFIX
01	4030-6051-02	CONTROL PANEL ASSY (UN1)	RP	1	011
01	4030-6052-02	CONTROL PANEL ASSY (UN1)	RP	1	212, 214, 311, 313, 314
01	4030-6053-03	CONTROL PANEL ASSY (UN1)	RP	1	211
01	4030-6054-03	CONTROL PANEL ASSY (UN1)	RP	1	001
01	4030-6055-03	CONTROL PANEL ASSY (UN1)	RP	1	202, 301, 303, 304, 307
01	4030-6056-03	CONTROL PANEL ASSY (UN1)	RP	1	201
01	4030-6061-01	CONTROL PANEL ASSY (UN1)	RP	1	216
02	4032-7320-01	LABEL		1	311
02	4032-7321-01	LABEL		1	301, 307



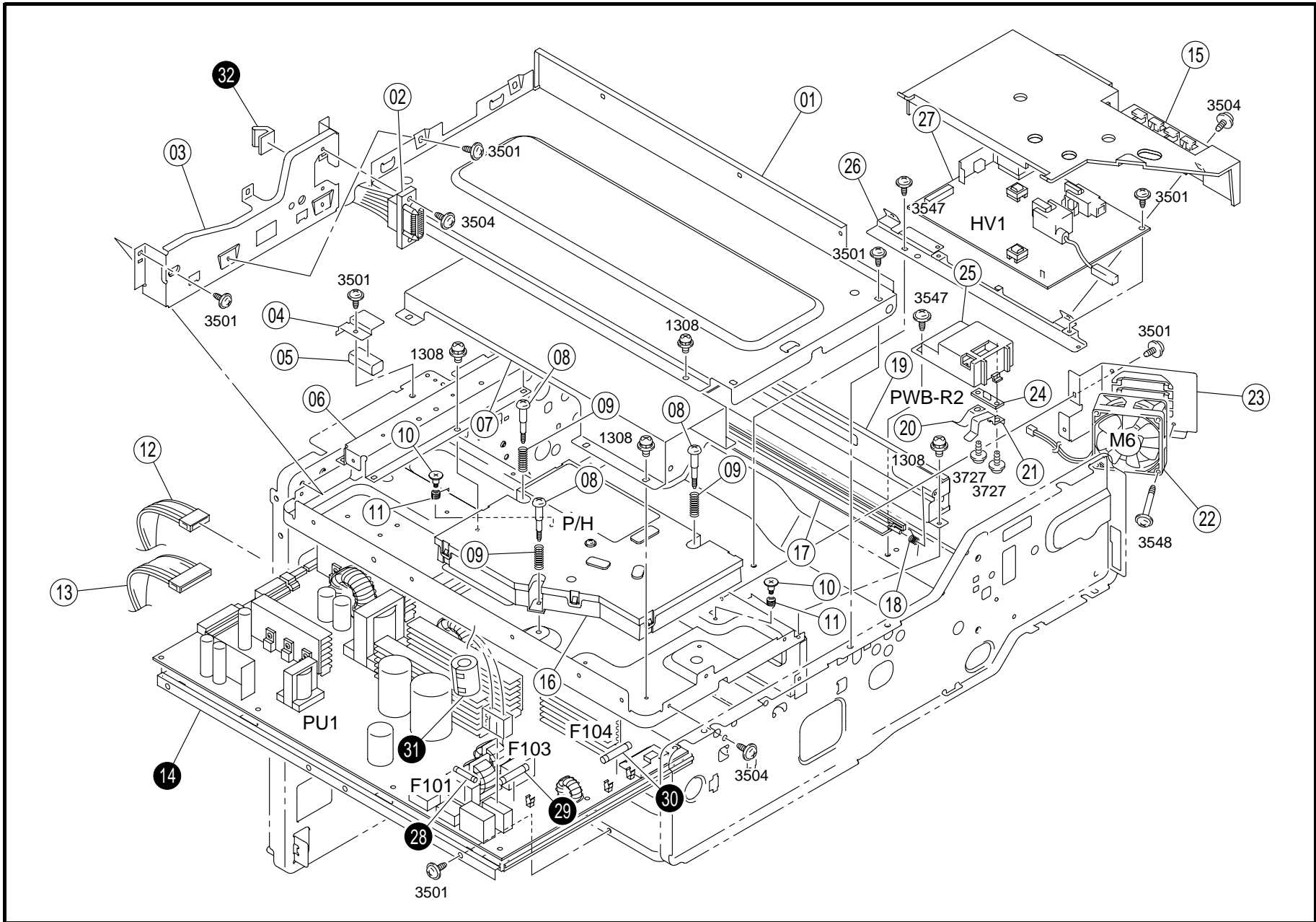
INDEX	PART NO.	PART NAME	REC	QTY	INDEX	PART NO.	PART NAME	REC	QTY
02	4384-1093-01	NS BRACKET		1	22	4384-1069-01	NS MFB COVER		1
03	4384-1050-01	PWB ASSY (PWB-ROM)	RP	1	23	4384-1094-01	PLATE SPRING		3
04	4384-1037-01	WIRE HARNESS ASSY		1	24	4384-1064-01	NS RTNA SHIELD		1
05	4384-1063-01	PLATE SPRING		2	25	4384-1089-01	PLATE SPRING		3
06	4384-1042-01	LENS ASSY (CCD)		1	26	4384-1086-01	SHEET(BASE)		1
07	4384-1058-01	NS HINGE BRACKET(R)		1	27	4384-1006-01	PLATE SPRING		2
09	4384-1036-01	SOLID STATE SWITCH		1	28	4384-1088-01	PLATE SPRING		4
10	4384-1045-01	ARM		1	29	9373-2200-11	LOUDSPEAKER (SP1)		1
11	4384-1044-01	TENSION SPRING		1	30	4384-1020-01	REED SWITCH		1
12	4384-1032-01	SOLID STATE SWITCH COVER (PC31)		1	31	4384-1102-01	TAPPING SCREW		3
13	4384-1087-01	NS CONNECTOR BRACKET		1					
14	4384-1073-01	NS MFB SHIELD(UN)		1					
15	4384-1072-01	NS MFB SHIELD(UP)		1					
16	4384-1056-01	NS HINGE BRACKET(L1)		1					
18	4030-6804-01	NS WIRE HARNESS ASSY		1					
19	4384-1095-01	LABEL		1					
20	4384-1048-01	PWB ASSY (MFB3)	RP	1					
21	4384-1065-01	NS MFB BOX		1					

INDEX	PART NO.	PART NAME	REC	QTY	SFIX
01	4030-0763-01	MEMORY CARD ASSY		1	011
01	4030-0764-01	MEMORY CARD ASSY		1	201, 211, 214
01	4030-0765-01	MEMORY CARD ASSY		1	301, 307, 311
01	4030-0766-01	MEMORY CARD ASSY		1	216
01	4030-0768-01	MEMORY CARD ASSY		1	202, 212, 303, 313
01	4030-0771-01	MEMORY CARD ASSY		1	304, 314
08	4384-1003-01	CELL ACCESSORY		1	001, 201, 202, 301, 303, 304, 307
17	4384-1038-01	WIRE HARNESS ASSY		1	001, 011, 214, 301, 307, 311
17	4384-1098-01	WIRE HARNESS ASSY		1	201, 202, 211, 212, 216, 303, 304, 313, 314



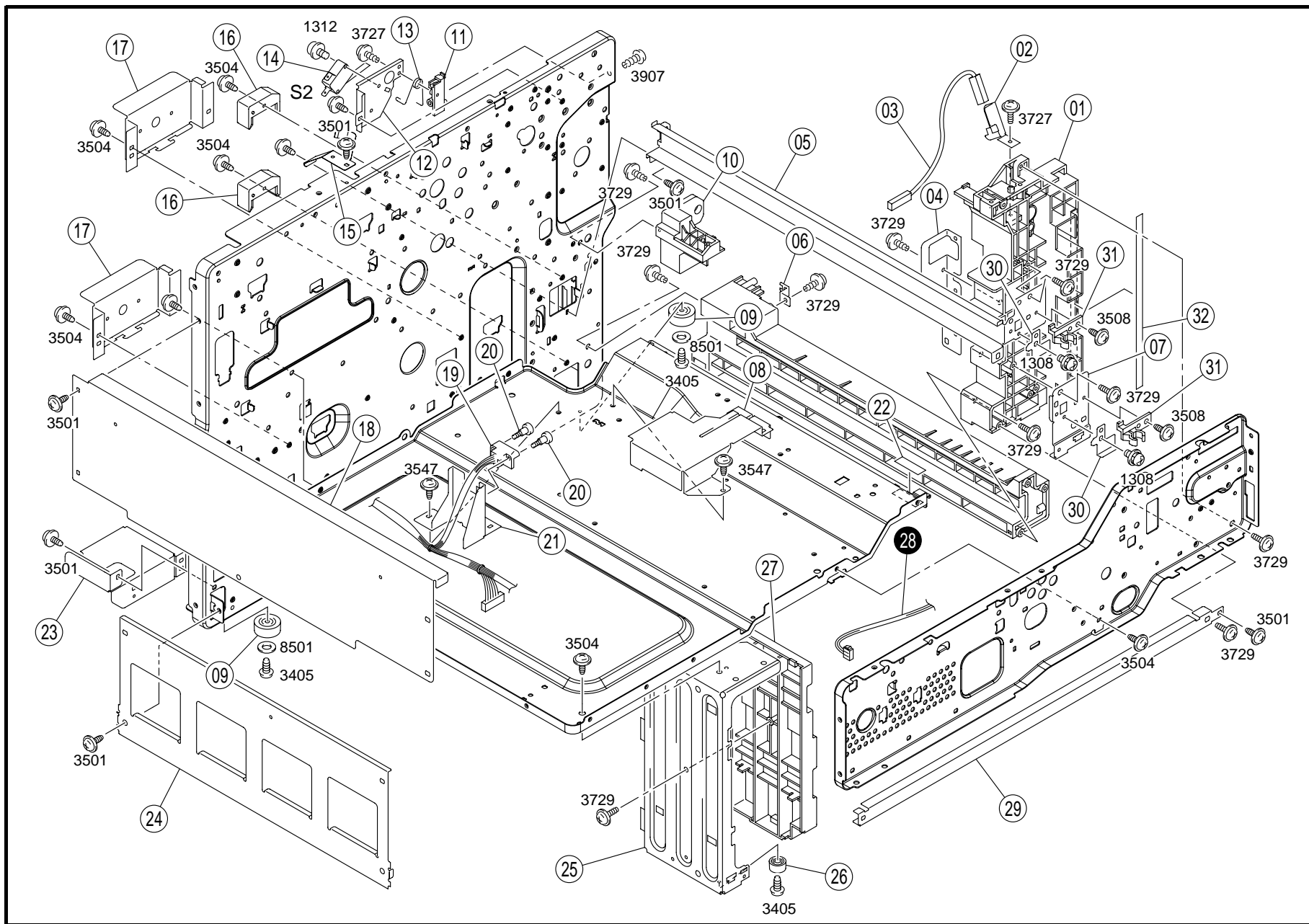
INDEX	PART NO.	PART NAME	REC	QTY	INDEX	PART NO.	PART NAME	REC	QTY
01	4384-1019-01	PULLEY		1	21	4384-1016-01	MIRROR		1
02	4384-1021-01	BALL BEARING		2	22	4384-1015-01	MIRROR		1
03	4384-1027-01	PWB ASSY	(INV) RP	1	23	4384-1061-01 NS	SNS BRACKET		1
04	4384-1017-01	PULLEY		8	24	4384-1032-01	SOLID STATE SWITCH	SCANNER (PC30)	1
05	4384-1062-01 NS	WIRE BRACKET		2	25	4384-1018-01	WIRE		2
06	4384-1033-01	TIMING BELT		1	26	4384-1068-01 NS	PULLEY BRACKET(1)		4
07	4384-1023-01	TENSION SPRING		1	27	4384-1025-01	SEAL		2
08	4384-1070-01 NS	MOTOR BRACKET		1	28	4384-1026-01	SEAL		2
09	4384-1029-01	MOTOR	SCANNER (M11)	1	31	4384-1030-01	SOLID STATE SWITCH	(UN6)	1
10	4384-1028-01	WIRE HARNESS ASSY		1	33	4384-1030-01	SOLID STATE SWITCH	OPTION (UN8)	1
11	4384-1014-01	XENON	(LA2) RP	1	36	4384-1031-01	SOLID STATE SWITCH	(UN4)	1
12	4384-1055-01 NS	REFLECTOR		1	37	4384-1030-01	SOLID STATE SWITCH	OPTION (UN5)	1
13	4384-1013-01	MIRROR		1	38	4384-1007-01	LEVER		1
14	4384-1012-01	PLATE SPRING		6	39	4384-1092-01	PULLEY		1
15	4384-1034-01	CARRIAGE 1 ASSY		1	40	4384-1041-01	WIRE HARNESS ASSY		1
16	4384-1024-01	PULLEY		1	41	4384-1040-01	WIRE HARNESS ASSY		1
17	4384-1022-01	TENSION SPRING		2	43	4384-1043-01	PWB ASSY	(BCR) RP	1
18	4384-1091-01 NS	BRACKET		4	44	4384-1046-01 NS	SHAFT		1
19	4384-1090-01 NS	WEIGHT		1	45	4384-1075-01	SLIDER		5
20	4384-1053-01	PLATE SPRING		1	46	4384-1035-01	CARRIAGE 2 ASSY		1

INDEX	PART NO.	PART NAME	REC	QTY	SFIX
29	4384-1030-01	SOLID STATE SWITCH (UN9)		1	001, 011, 201, 202, 211, 212, 216, 303, 304, 313, 314
30	4384-1030-01	SOLID STATE SWITCH OPTION (UN9)		1	214, 301, 307, 311
32	4384-1030-01	SOLID STATE SWITCH OPTION (UN7)		1	201, 202, 211, 212, 214, 216, 301, 303, 304, 307, 311, 313, 314
34	4384-1030-01	SOLID STATE SWITCH (UN3)		1	001, 011
35	4384-1030-01	SOLID STATE SWITCH OPTION (UN3)		1	201, 202, 211, 212, 216, 303, 304, 313, 314
42	4384-1039-01	WIRE HARNESS ASSY		1	001, 011, 214, 301, 307, 311
42	4384-1099-01	WIRE HARNESS ASSY		1	201, 202, 211, 212, 216, 303, 304, 313, 314

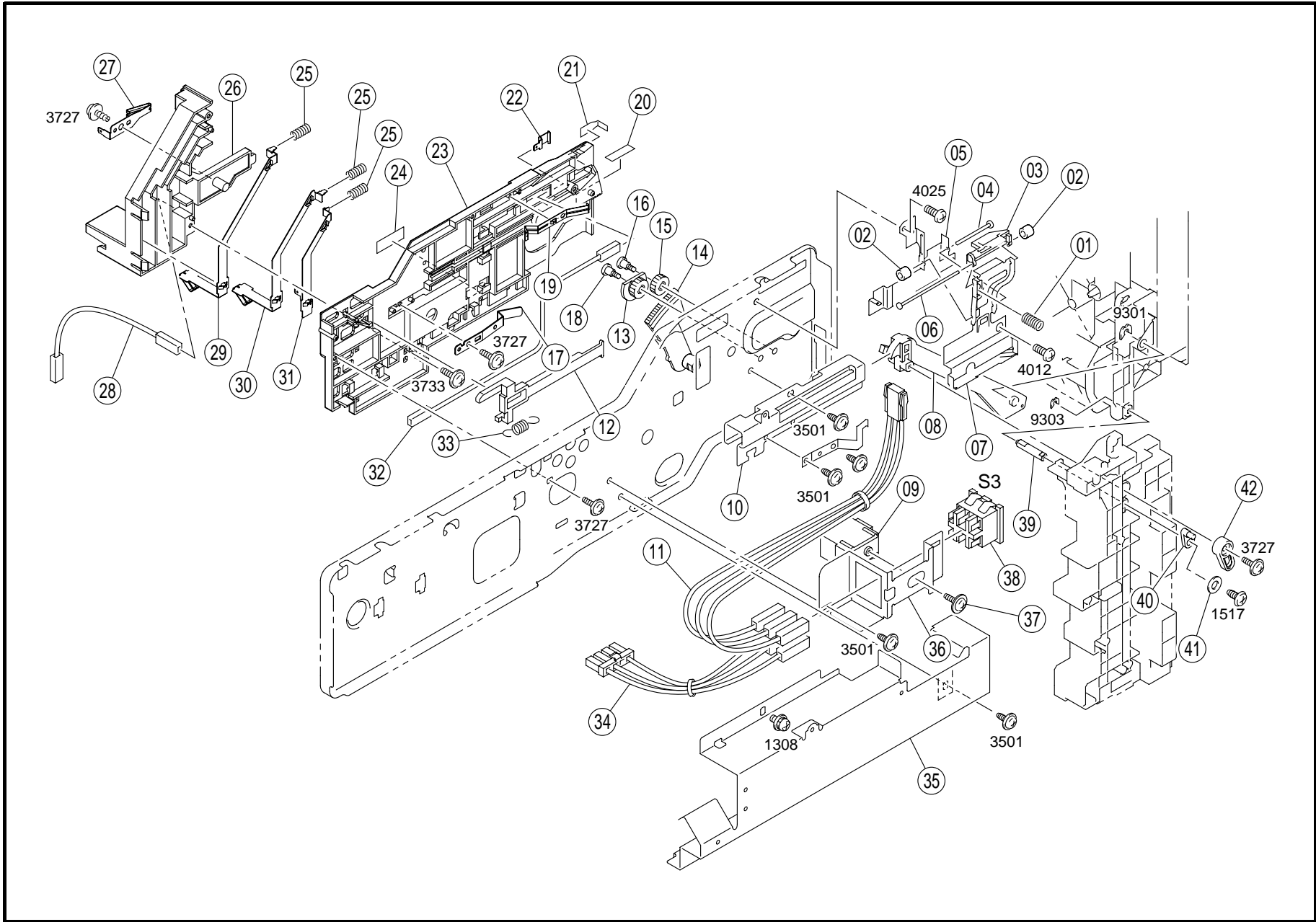


INDEX	PART NO.	PART NAME	REC	QTY	INDEX	PART NO.	PART NAME	REC	QTY
01	4030-2017-01	NS BRACKET		1	20	1165-2091-01	CONTACT		1
02	4030-6816-01	NS WIRE HARNESS ASSY		1	21	4011-2104-01	CONTACT		1
03	4030-2018-01	NS BRACKET		1	22	9313-1100-51	FAN MOTOR I/C COOL (M6)		1
04	4030-2119-01	NS SHIELD		1	23	4030-2109-01	NS BRACKET		1
05	4030-6757-01	ELECTRICALLY CONDUCTIVE		1	24	4011-0112-01	PWB ASSY (PWB-R2)		1
06	4030-2034-01	NS REINFORCE PLATE		1	25	4011-2103-01	HOLDER		1
07	4030-2035-01	NS REINFORCE PLATE		1	26	4030-2040-01	NS BRACKET		1
08	4128-1979-01	SHOULDER SCREW		3	27	4030-6203-02	HV TRANSFORMER (HV1)		1
09	4128-1978-01	PRESSURE SPRING		3					
10	4011-5925-02	SHOULDER SCREW		2					
11	4030-2049-01	TORSION SPRING		2					
12	4030-6807-02	NS WIRE HARNESS ASSY		1					
13	4030-6819-03	NS WIRE HARNESS ASSY		1					
15	4011-2101-02	COVER		1					
16	4032-0751-00	P/H ASSY		1					
17	4030-2036-01	SHUTTER		1					
18	4011-2034-02	TORSION SPRING		1					
19	4030-2004-01	NS BRACKET		1					

INDEX	PART NO.	PART NAME	REC	QTY	SFIX
14	9325-2200-12	POWER SUPPLY (PU1)		1	001, 011, 301, 303, 304, 307, 311, 313, 314
14	9325-2200-22	POWER SUPPLY (PU1)		1	201, 202, 211, 212, 214, 216
28	4030-7851-01	FUSE (F101)	RP	1	001, 011, 301, 303, 304, 307, 311, 313, 314
28	4030-7854-01	FUSE (F101)	RP	1	201, 202, 211, 212, 214, 216
29	1131-7802-01	FUSE 6.3A (F103)	RP	1	201, 202, 211, 212, 214, 216
29	4030-7852-01	FUSE (F103)	RP	1	001, 011, 301, 303, 304, 307, 311, 313, 314
30	1131-7802-01	FUSE 6.3A (F104)	RP	1	201, 202, 211, 212, 214, 216
30	4030-7853-01	FUSE (F104)	RP	1	001, 011, 301, 303, 304, 307, 311, 313, 314
31	0866-7801-01	FERRITE CORE		1	201, 202, 211, 212, 216, 303, 313
32	9384-4300-21	ELECTRICALLY CONDUCTIVE		1	201, 202, 211, 212, 216, 303, 313

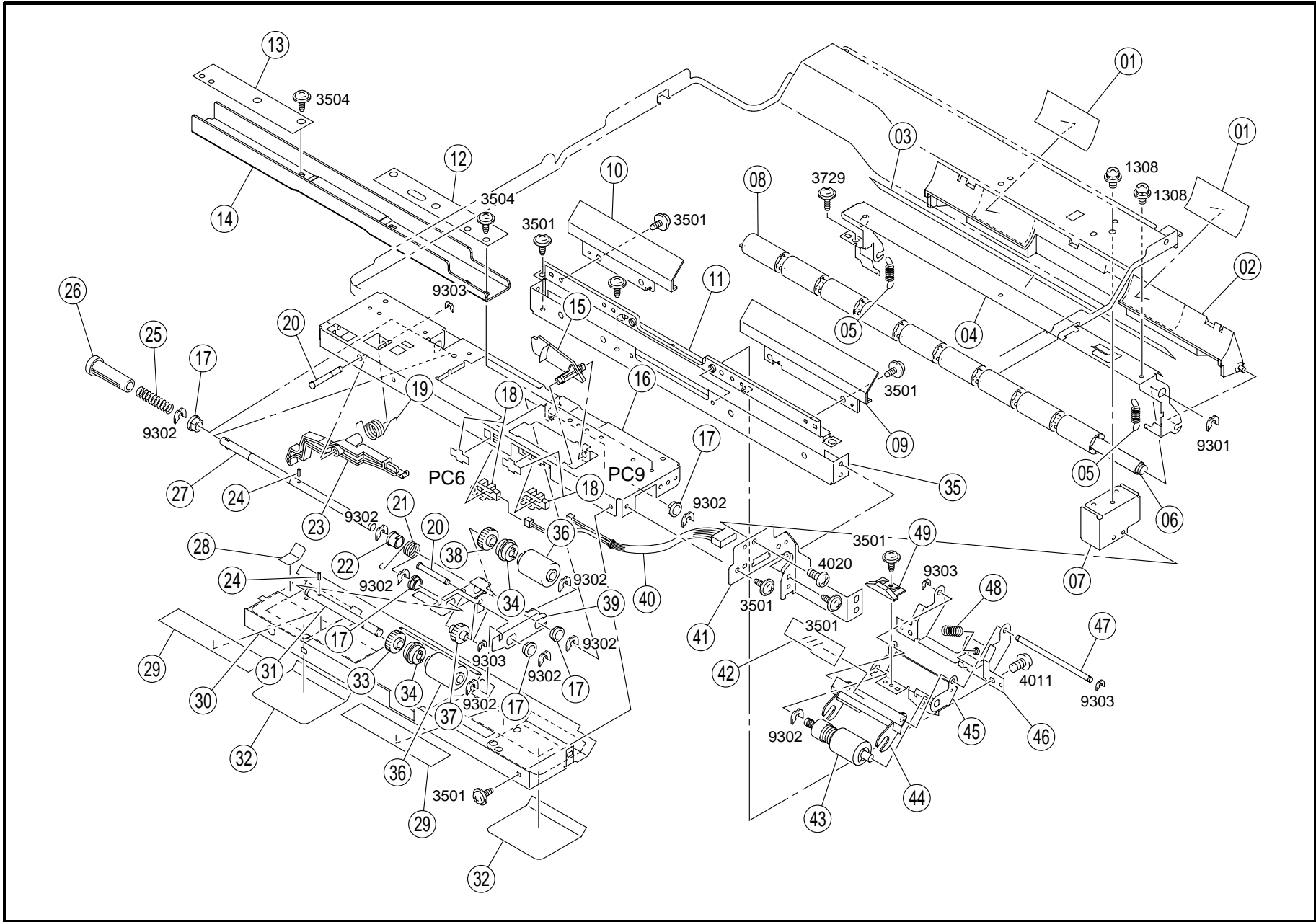


INDEX	PART NO.	PART NAME	REC	QTY	INDEX	PART NO.	PART NAME	REC	QTY
01	4030-2026-03	STAY		1	19	4030-6822-03 NS	WIRE HARNESS ASSY		1
02	1164-2155-01	CONTACT		1	20	1079-2219-01	SHOULDER SCREW		2
03	4030-6843-01 NS	WIRE HARNESS ASSY		1	21	4030-2012-01 NS	BRACKET		1
04	4030-2010-01 NS	BRACKET		1	22	1129-7303-01	LABEL		1
05	4030-2029-02 NS	RAIL		1	23	4030-2042-02 NS	BRACKET		1
06	4030-2011-01 NS	BRACKET		1	24	4030-2006-01 NS	REINFORCE PLATE		1
07	4030-2041-02 NS	BRACKET		1	25	4030-2005-02 NS	REINFORCE PLATE		1
08	4030-2079-01 NS	BRACKET		1	26	4030-2081-01	SPACER		1
09	4030-2080-01	RUBBER FOOT		2	27	4030-2008-02	RAIL		1
10	4030-2037-01	HOLDER		1	29	4030-2007-01 NS	REINFORCE PLATE		1
11	1164-2051-01	GUIDE		1	30	4030-2038-02 NS	STOPPER		2
12	4030-2116-01 NS	BRACKET		1	31	4002-3123-01	HOLDER		2
13	4011-2037-01	TORSION SPRING		1	32	4030-7315-01	LABEL		1
14	9331-2200-21	MICRO-SWITCH DOOR (S2)		1					
15	4030-2162-01	EARTH GROUND		1					
16	4030-2009-01	GUIDE		2					
17	4030-2062-01 NS	BRACKET		2					
18	4030-2016-01 NS	REINFORCE PLATE		1					
INDEX	PART NO.	PART NAME	REC	QTY	SFIX				
28	1165-6832-01	HARNESS		1	001, 011				



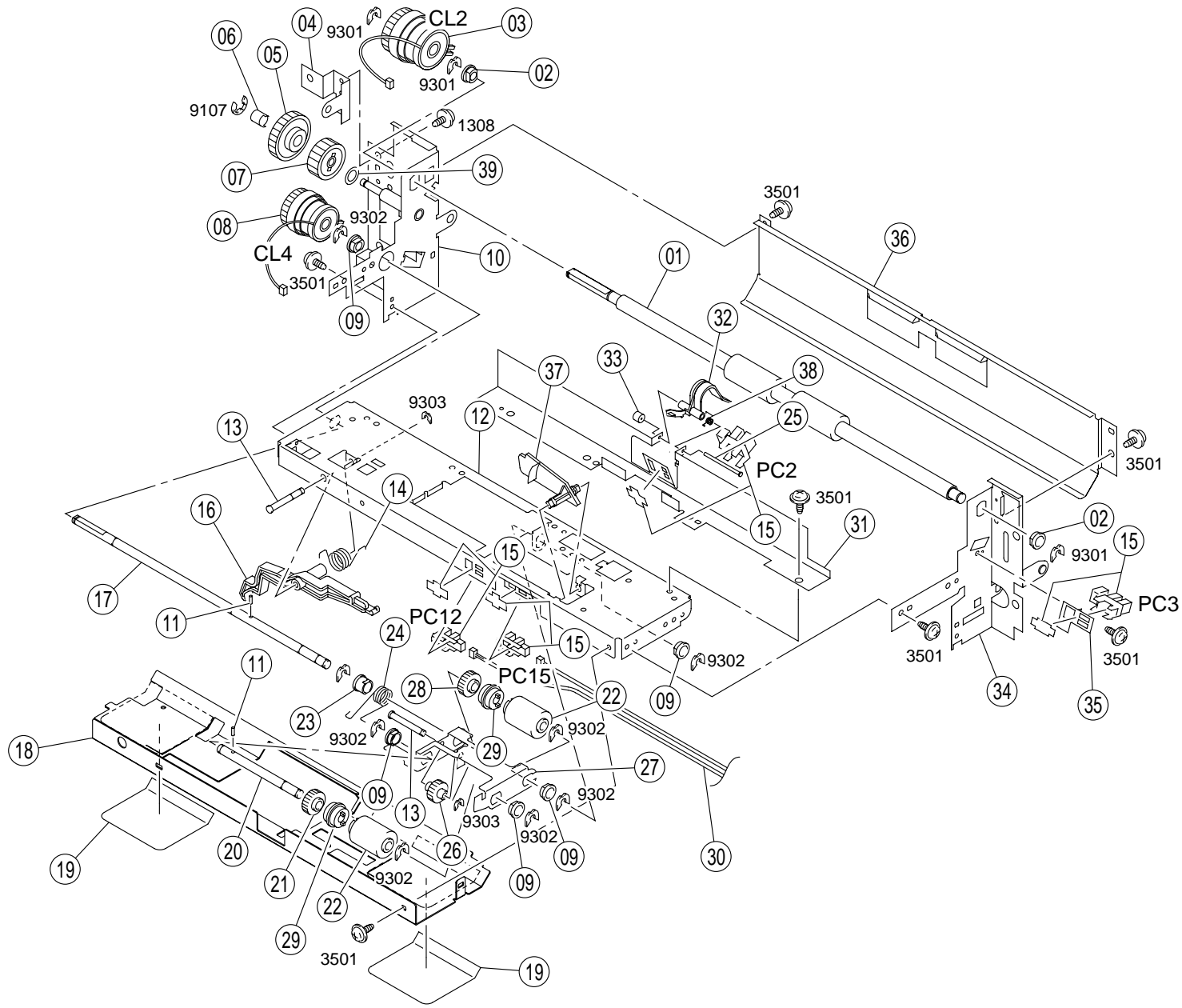
INDEX	PART NO.	PART NAME	REC	QTY	INDEX	PART NO.	PART NAME	REC	QTY
01	1164-2306-02	PRESSURE SPRING		1	22	1165-2153-01 NS	CONTACT		1
02	4658-3047-01	COLLAR		2	23	4030-2019-01	GUIDE		1
03	1164-2308-02	DETECTING PLATE		1	24	1129-7303-01	LABEL		1
04	1134-3042-01 NS	PIN		1	25	4011-2134-01	PRESSURE SPRING		3
05	1164-2301-02	BRACKET		1	26	4030-2102-01	HOLDER		1
06	4011-3511-01 NS	SHAFT		1	27	4030-2114-01	CONTACT		1
07	1164-2302-02	STOPPER		1	28	4030-6842-01 NS	WIRE HARNESS ASSY		1
08	1164-2316-01	LEVER		1	29	4030-2115-01	CONTACT		1
09	4030-2118-01	LEVER		1	30	4030-2113-01	CONTACT		1
10	1164-2310-01	GUIDE PLATE		1	31	4030-2112-01	CONTACT		1
11	4030-6854-02 NS	WIRE HARNESS ASSY		1	32	4030-6844-01 NS	WIRE HARNESS ASSY		1
12	1165-2040-02	LEVER		1	33	4011-2035-01	TENSION SPRING		1
13	1164-2027-02	GEAR 14T		1	34	4030-6853-02 NS	WIRE HARNESS ASSY		1
14	4011-2009-01	LEVER		1	35	4030-2123-01 NS	BRACKET		1
15	1164-2026-01	GEAR		1	36	4030-2117-01 NS	BRACKET		1
16	1164-2028-01	SHOULDER SCREW		1	37	4109-2003-01	SHOULDER SCREW		1
17	1164-2021-02	PLATE SPRING		1	38	9331-1810-11	MICRO SWITCH DOOR (S3)		1
18	1164-2084-01	SHOULDER SCREW		1	39	4011-2010-01	SHAFT		1
19	1165-2142-01 NS	EARTH GROUND		1	40	1164-2007-12	JOINT		1
20	4030-7316-01	LABEL		1	41	4111-2531-01	WASHER		1
21	4011-2047-01	SEAL		1	42	4011-2008-01	LEVER		1

INDEX	PART NO.	PART NAME	REC	QTY	SFIX



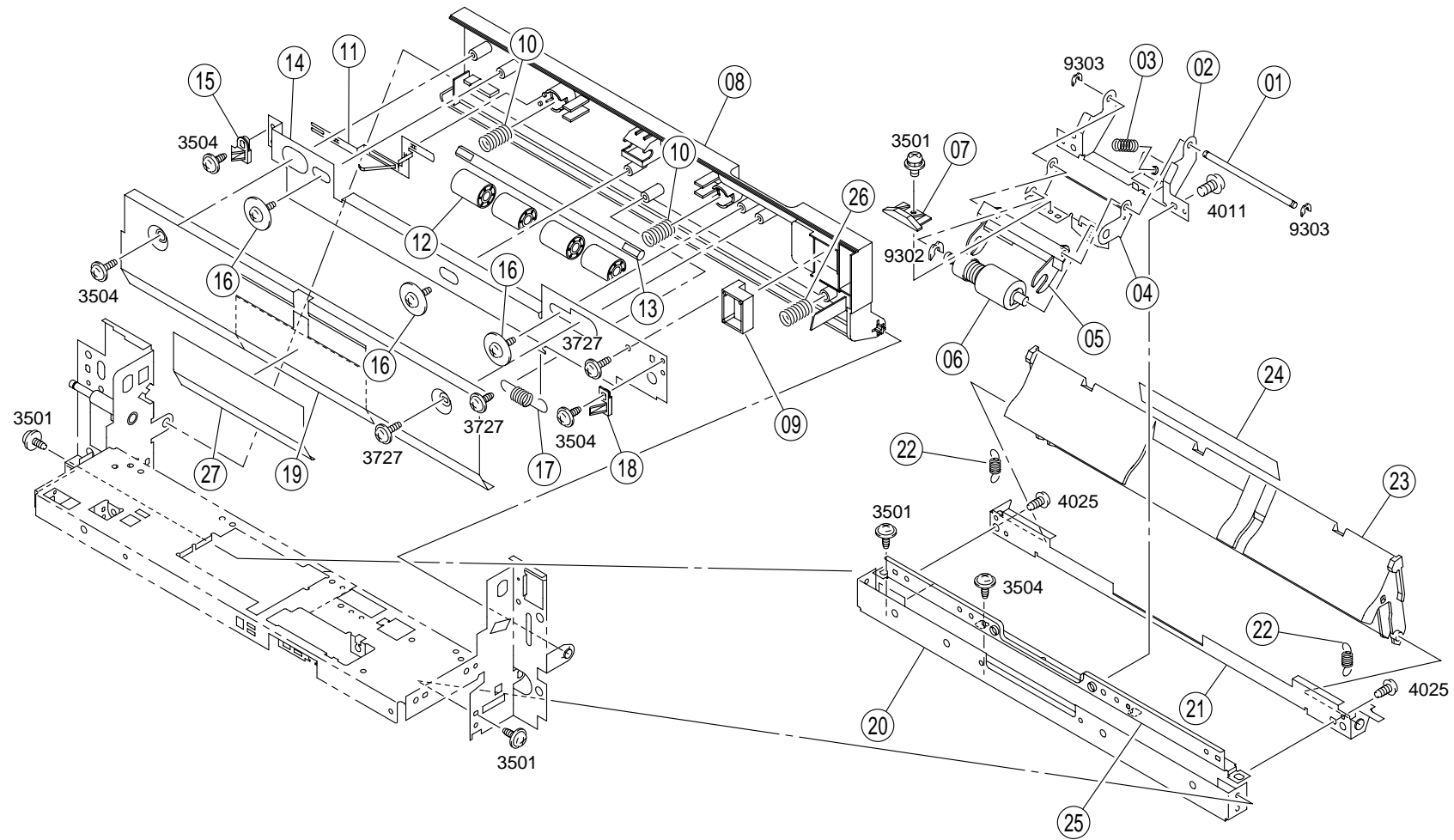
INDEX	PART NO.	PART NAME	REC	QTY	INDEX	PART NO.	PART NAME	REC	QTY
01	4030-3108-01	GUIDE		2	26	1052-4412-01	JOINT		1
02	4030-3032-03	GUIDE		1	27	4030-3004-01	SHAFT		1
03	4030-3104-01	GUIDE		1	28	4030-3085-01	COVER		1
04	4030-3103-02	NS BRACKET		1	29	4030-3088-01	NS WEIGHT		2
05	4030-3125-01	TENSION SPRING		2	30	4030-3023-03	NS GUIDE PLATE		1
06	4030-3101-01	NS SHAFT		1	31	4030-3003-01	SHAFT		1
07	4030-3044-01	NS BRACKET		1	32	4030-3036-01	GUIDE		2
08	4658-3513-01	ROLLER		9	33	4425-3016-01	GEAR		1
09	4030-3026-02	GUIDE		1	34	4030-3034-01	CLUTCH		2
10	4030-3027-02	GUIDE		1	35	4030-3025-02	NS BRACKET		1
11	4030-3037-01	NS REINFORCE PLATE		1	36	4030-3005-01	ROLLER	RP	2
12	4030-3086-01	NS REINFORCE PLATE		1	37	4030-3008-01	GEAR		1
13	4030-3087-01	NS REINFORCE PLATE		1	38	4425-3013-01	GEAR		1
14	4030-3084-01	NS REINFORCE PLATE		1	39	4030-3002-02	NS HOLDER		1
15	4030-3016-01	ACTUATOR		1	40	4030-6811-01	NS WIRE HARNESS ASSY		1
16	4030-3001-03	NS FRAME		1	41	4030-3041-02	NS FRAME		1
17	4131-3003-01	BUSHING		5	42	4030-3079-01	GUIDE		1
18	4131-0902-01	PHOTO INTERRUPTER	(PC6.9)	2	43	4030-0151-01	ROLLER ASSY	RP	1
19	4030-3012-01	TORSION SPRING		1	44	4030-3077-01	GUIDE		1
20	4030-3020-01	NS SHAFT		2	45	4030-3013-01	NS HOLDER		1
21	4030-3030-01	TORSION SPRING		1	46	4030-3014-01	NS BRACKET		1
22	1065-3086-01	BUSHING		1	47	4030-3039-01	SHAFT		1
23	4030-3011-01	LEVER		1	48	4030-3017-02	PRESSURE SPRING		1
24	1067-2501-01	PIN		2	49	4030-3078-01	LEVER		1
25	1070-3072-01	PRESSURE SPRING		1					

INDEX	PART NO.	PART NAME	REC	QTY	SFIX



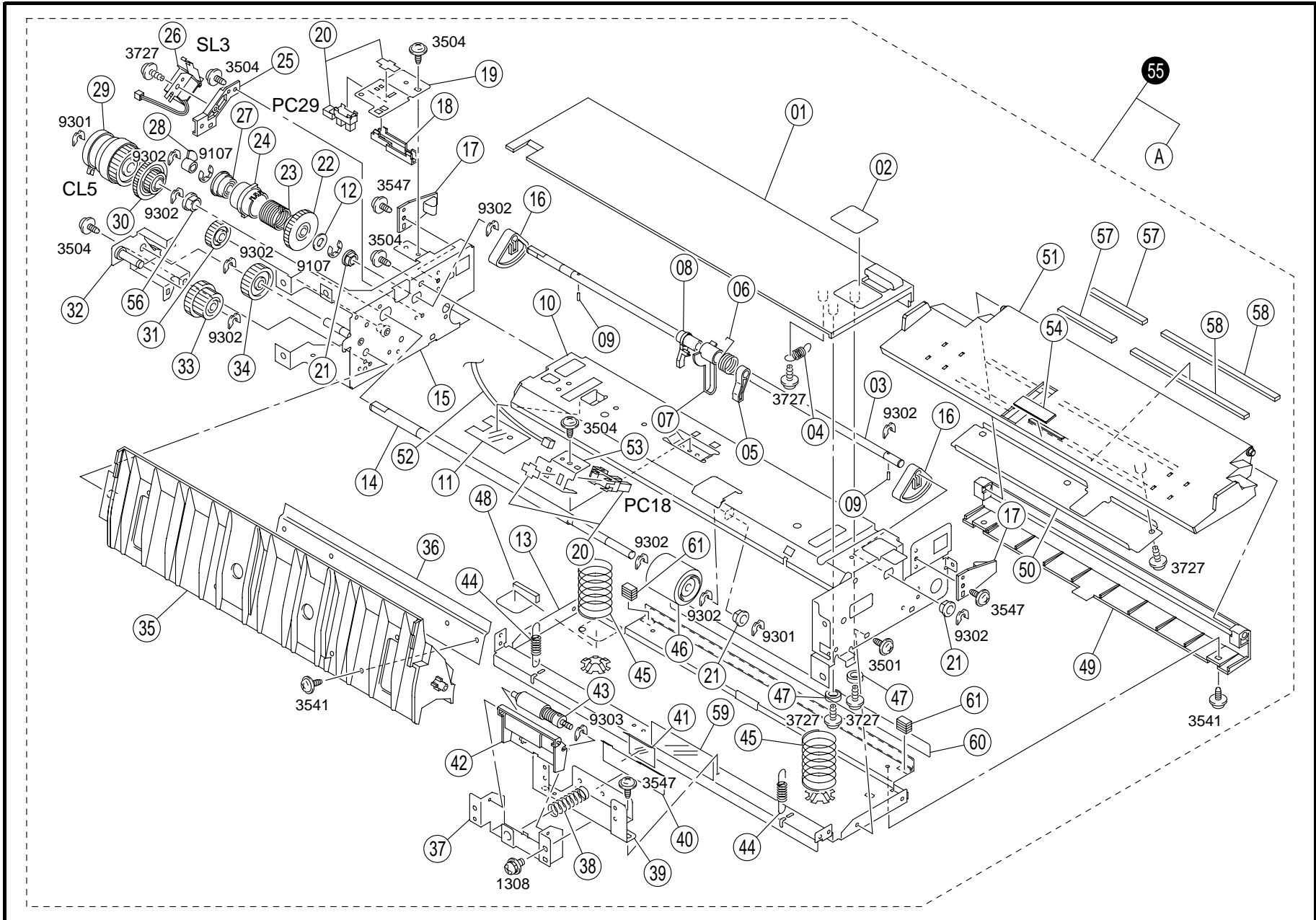
INDEX	PART NO.	PART NAME	REC	QTY	INDEX	PART NO.	PART NAME	REC	QTY
01	4030-3021-01	ROLLER		1	21	4425-3016-01	GEAR		1
02	4131-3532-02	BUSHING		2	22	4030-3005-01	ROLLER	RP	2
03	9322-1200-31	CLUTCH		1	23	1065-3086-01	BUSHING		1
04	4030-3063-01	NS BRACKET		1	24	4030-3030-01	TORSION SPRING		1
05	4030-3064-01	GEAR		1	25	1200-5212-04	PIN		1
06	4030-3069-01	SLEEVE		1	26	4030-3008-01	GEAR		1
07	4030-3068-01	GEAR		1	27	4030-3002-02	NS HOLDER		1
08	9322-1200-21	CLUTCH		1	28	4425-3013-01	GEAR		1
09	4131-3003-01	BUSHING		5	29	4030-3034-01	CLUTCH		2
10	4030-0203-03	NS FRAME ASSY		1	30	4030-6812-02	NS WIRE HARNESS ASSY		1
11	1067-2501-01	PIN		2	31	4030-3018-01	NS BRACKET		1
12	4030-3010-01	NS FRAME		1	32	4030-3019-02	ACTUATOR		1
13	4030-3020-01	NS SHAFT		2	33	1200-2105-05	COLLAR		1
14	4030-3012-01	TORSION SPRING		1	34	4030-3042-02	NS FRAME		1
15	4131-0902-01	PHOTO INTERRUPTER		4	35	4030-3128-01	NS BRACKET		1
16	4030-3011-01	LEVER		1	36	4030-3112-02	NS GUIDE PLATE		1
17	4030-3022-01	NS SHAFT		1	37	4030-3016-01	ACTUATOR		1
18	4030-3023-03	NS GUIDE PLATE		1	38	4030-3031-01	TORSION SPRING		1
19	4030-3036-01	GUIDE		2	39	1200-1342-03	WASHER		1
20	4030-3003-01	SHAFT		1					

INDEX	PART NO.	PART NAME	REC	QTY	SFIX

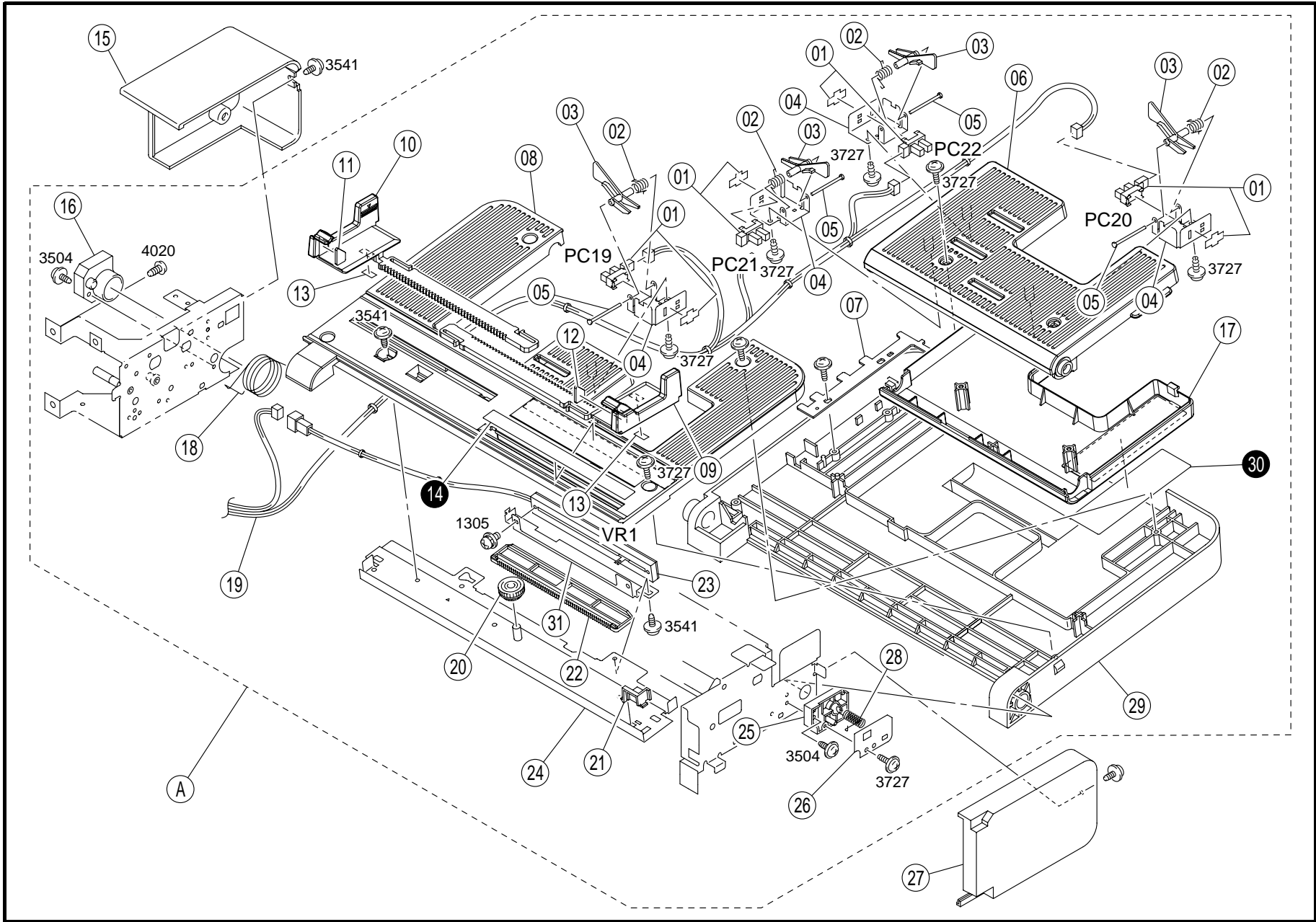


INDEX	PART NO.	PART NAME	REC	QTY	INDEX	PART NO.	PART NAME	REC	QTY
01	4030-3039-01	SHAFT		1	19	4030-3114-02 NS	GUIDE PLATE		1
02	4030-3014-01 NS	BRACKET		1	20	4030-3025-02 NS	BRACKET		1
03	4030-3017-02	PRESSURE SPRING		1	21	4030-3129-03 NS	BRACKET		1
04	4030-3013-01 NS	HOLDER		1	22	4030-3125-01	TENSION SPRING		2
05	4030-3077-01	GUIDE		1	23	4030-3124-03	GUIDE		1
06	4030-0151-01	ROLLER ASSY	RP	1	24	4030-3105-01	GUIDE		1
07	4030-3078-01	LEVER		1	25	4030-3037-01 NS	REINFORCE PLATE		1
08	4030-3111-02	DOOR		1	26	1149-3454-01	PRESSURE SPRING		1
09	4030-3130-02	HANDLE		1	27	4030-3107-01	GUIDE		1
10	4030-3123-01	PRESSURE SPRING		2					
11	4030-3134-03	EARTH GROUND		1					
12	4030-3122-01	ROLL		4					
13	4030-3121-01 NS	SHAFT		1					
14	4030-3117-02 NS	BRACKET		1					
15	4030-3115-01	LEVER		1					
16	4163-5293-01	SCREW		3					
17	4030-3116-01	TENSION SPRING		1					
18	4030-3135-01	LEVER		1					

INDEX	PART NO.	PART NAME	REC	QTY	SFIX



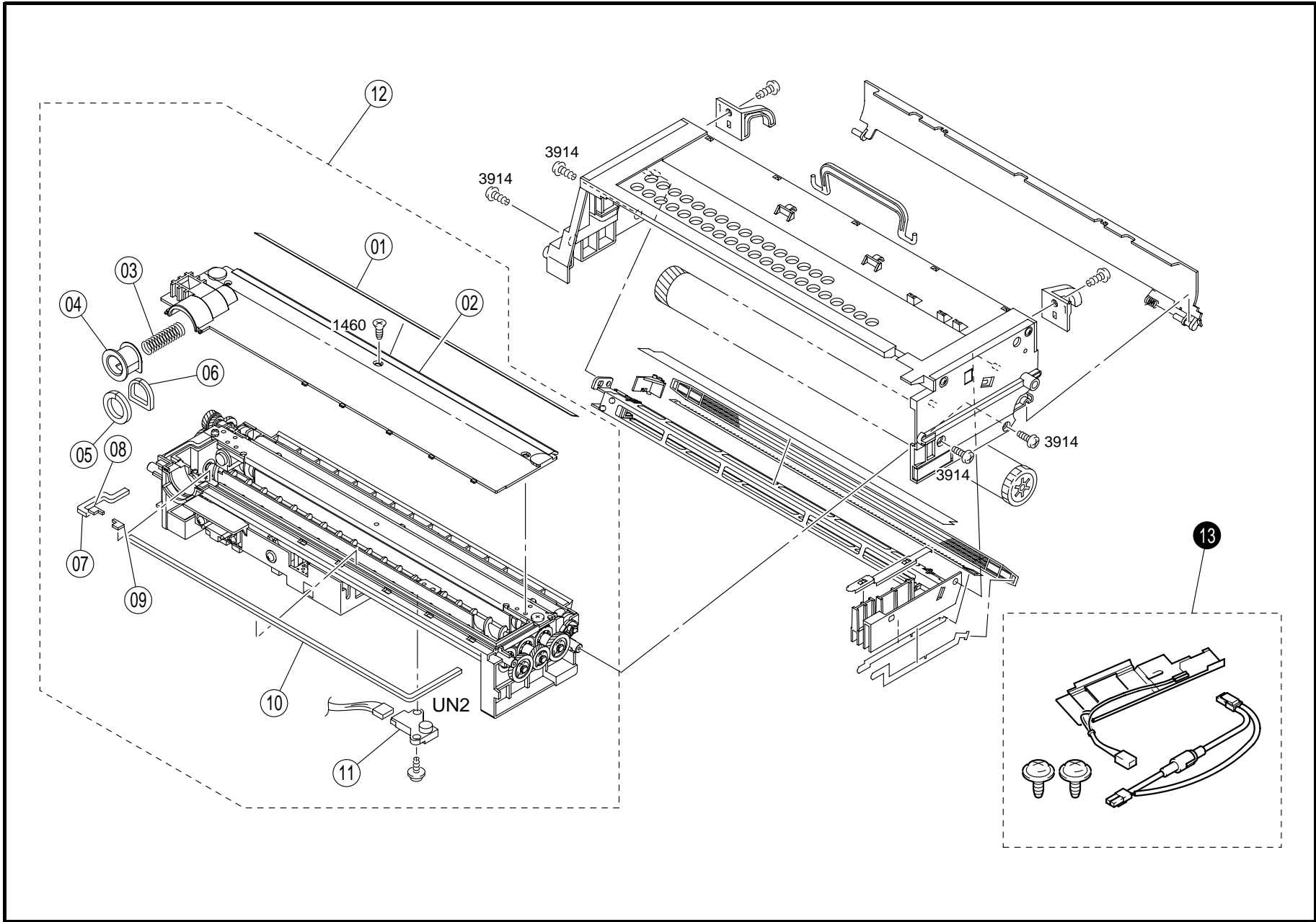
INDEX	PART NO.	PART NAME	REC	QTY	INDEX	PART NO.	PART NAME	REC	QTY
01	4030-3442-02	COVER		1	31	1300-3322-17	GEAR 20T		1
02	4030-3754-01	LABEL		1	32	4030-0205-01 NS	BRACKET ASSY		1
03	4030-3416-01 NS	SHAFT		1	33	4030-3441-01	GEAR		1
04	4030-3438-01	TENSION SPRING		1	34	1075-2565-01	GEAR 25T		1
05	4030-3465-01	HOLDER		1	35	4030-3401-13	HOLDER		1
06	4030-3445-01	TORSION SPRING		1	36	4030-3427-01 NS	REINFORCE PLATE		1
07	4030-3444-01	ACTUATOR		1	37	4030-3404-01 NS	BRACKET		1
08	4030-3464-01	HOLDER		1	38	4030-3475-01	PRESSURE SPRING		1
09	1067-2502-01	PIN		2	39	4030-3474-01 NS	BRACKET		1
10	4030-3432-04 NS	BRACKET		1	40	4030-3402-01	GUIDE PLATE		1
11	4030-3447-01	GUIDE		1	41	4030-3403-01	GUIDE		1
12	4131-4128-01	WASHER		1	42	4131-3053-02	HOLDER		1
13	4030-3424-01 NS	BRACKET		1	43	4658-0151-01	ROLLER ASSY	RP	1
14	4030-3434-01	SHAFT		1	44	4030-3428-01	TENSION SPRING		2
15	4030-0204-01 NS	BRACKET ASSY		1	45	4030-3457-03	PRESSURE SPRING		2
16	4030-3417-01	CAM		2	46	4131-3001-01	ROLLER	RP	1
17	4030-3430-01	LEVER		2	47	4030-3481-01	COLLAR		2
18	4030-3429-02	MEMBER		1	48	4030-3448-01	CUSHION		1
19	4030-3479-01 NS	BRACKET		1	49	4030-3425-01	HOLDER		1
20	4131-0902-01	PHOTO INTERRUPTER	(PC18.29)	2	50	4030-3456-01 NS	REINFORCE PLATE		1
21	1274-2611-01	BUSHING		3	51	4030-3409-03	LIFTING PLATE		1
22	4131-3004-02	GEAR		1	52	4030-6818-01 NS	WIRE HARNESS ASSY		1
23	4030-3419-01	TORSION SPRING	RP	1	53	4030-3443-02 NS	BRACKET		1
24	4030-3420-01	RATCHET		1	54	4687-3281-01	FRICTION SHEET		1
25	4030-3422-01	HOLDER		1	56	4658-3517-01	BUSHING		1
26	9321-2100-41	SOLENOID	PICK-UP (SL3)	1	57	4030-3476-01	SEAL		2
27	4131-3007-02	DRUM		1	58	4030-3477-01	SEAL		2
28	4030-3478-01	SHIELD PLATE		1	59	4030-3489-01	SEAL		1
29	9322-1200-31	CLUTCH	TAKE-UP (CL5)	1	60	4030-3490-01	SEAL		1
30	4030-3467-01	GEAR		1	61	4030-3491-01	SPACER		2
INDEX	PART NO.	PART NAME	REC	QTY	SFIX				
55	4030-0752-00	MANUAL FEED TRAY UNIT		1	001, 011				
55	4030-0753-00	MANUAL FEED TRAY UNIT		1	201, 202, 211, 212, 216, 303, 304, 313, 314				
55	4030-0754-00	MANUAL FEED TRAY UNIT		1	214, 301, 307, 311				



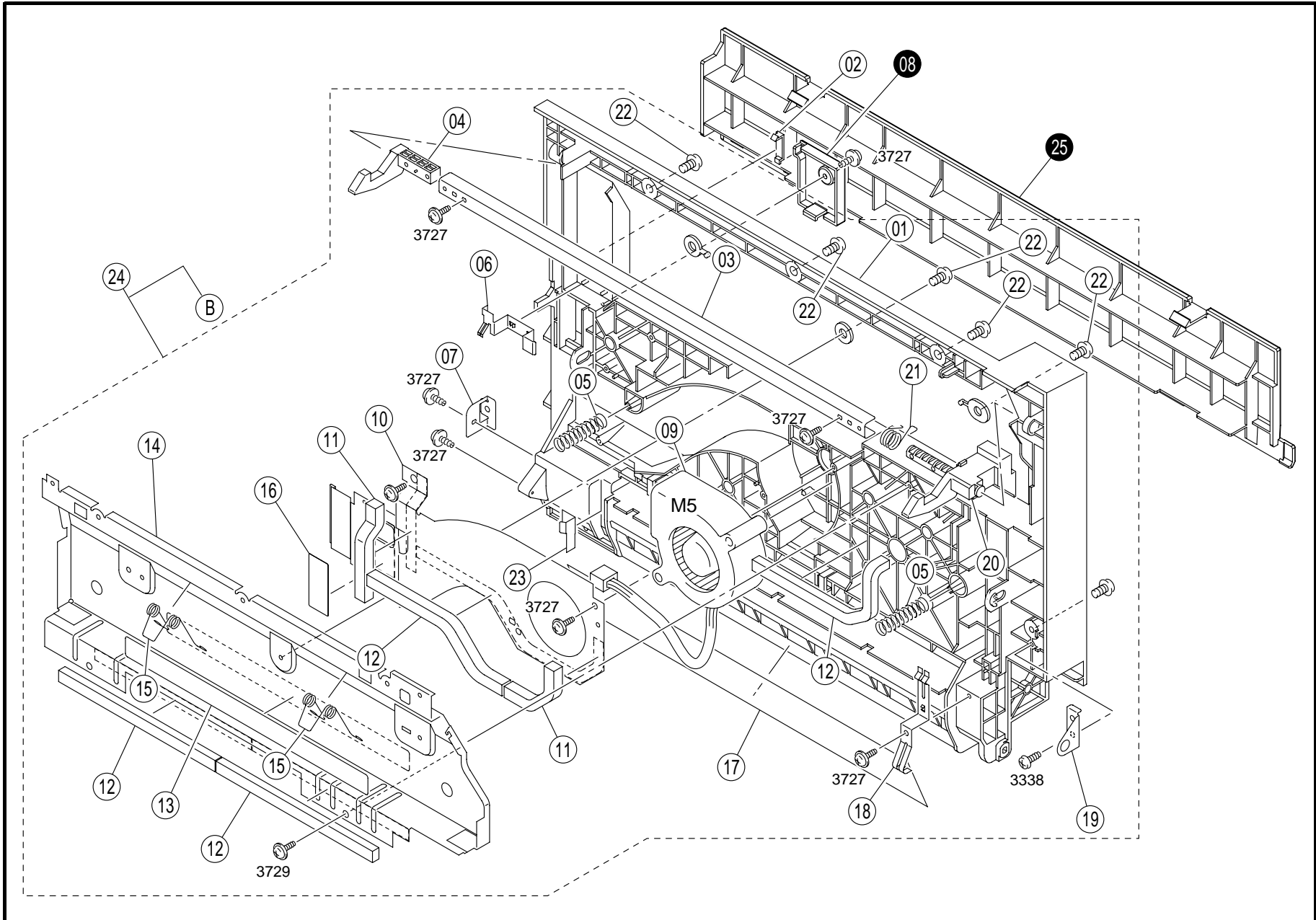
INDEX	PART NO.	PART NAME	REC	QTY	INDEX	PART NO.	PART NAME	REC	QTY
01	4131-0902-01	PHOTO INTERRUPTER SIZE (PC19-22)		4	20	4030-3412-01	GEAR		1
02	4030-3446-01	TORSION SPRING		4	21	4030-3463-01	STOPPER		1
03	4030-3415-01	ACTUATOR		4	22	4030-3460-02	RACK		1
04	4030-3414-01 NS	BRACKET		4	23	1075-0130-02	RESISTOR SIZE (VR1)		1
05	1134-3042-01 NS	PIN		4	24	4030-0216-03 NS	BRACKET ASSY		1
06	4030-3423-03	TRAY		1	25	4030-3473-02	HOLDER		1
07	4030-3461-01 NS	MEMBER		1	26	4030-3437-01 NS	BRACKET		1
08	4030-3466-02	COVER		1	27	4030-3480-01	COVER		1
09	4030-3410-03	REGULATING PLATE		1	28	4030-3435-01	TORSION SPRING		1
10	4030-3411-03	REGULATING PLATE		1	29	4030-3408-03	TRAY		1
11	4030-3486-01	BRAKE		1	31	4030-3455-02 NS	BRACKET		1
12	4030-3487-01	BRAKE		1					
13	4131-4623-03	CLEANING PAD		2					
15	4030-3426-01	COVER		1					
16	4030-3472-01	HOLDER		1					
17	4030-3459-02	COVER		1					
18	4030-3436-01	TORSION SPRING		1					
19	4030-6814-03 NS	WIRE HARNESS ASSY		1					
INDEX	PART NO.	PART NAME	REC	QTY	SFIX				
14	4030-7306-02	SCALE		1	001, 011				
14	4030-7307-02	SCALE		1	201, 202, 211, 212, 216, 303, 304, 313, 314				
14	4030-7308-02	SCALE		1	214, 301, 307, 311				
30	4030-7305-01	LABEL		1	001, 011				
30	4030-7309-02	LABEL		1	201, 202, 211, 212, 214, 216, 301, 303, 304, 307, 311, 313, 314				

INDEX	PART NO.	PART NAME	REC	QTY	INDEX	PART NO.	PART NAME	REC	QTY
01	4030-5393-01	HANDLE		1	31	4030-5364-01 NS	DETECTING PLATE		1
02	4030-5394-01	TORSION SPRING		1	32	4030-0153-01	STIRRING PLATE ASSY		1
03	1165-5327-03	SEAL		1	33	4030-5365-01	DUCT		1
04	1165-5325-01	PIN		3	34	1165-5309-02	PRESSURE SPRING		1
07	4030-5388-01	TORSION SPRING		1	35	1165-5308-01	SHUTTER		1
08	4030-5387-02	STOPPER		1	36	4030-5361-02	REGULATING PLATE		1
09	1151-5023-01	SUPPORT		2	37	4030-5319-01	SEAL		1
10	4030-1019-01 NS	COVER		1	38	4030-5385-02	SEAL		1
12	4030-2047-01	WIRE		1	39	4030-5386-01	TENSION SPRING		1
13	4030-2051-02 NS	GUIDE		1	40	4030-5383-02	SHUTTER		1
14	4030-5396-01	PLATE SPRING		1	41	4030-5384-01	SEAL		1
15	9351-1200-11	INCANDESCENT LAMP	ERASER (LA1)	1	42	4030-5381-02	TRAY		1
16	1165-4305-02	HOLDER		1	43	4030-5390-01	PRESSURE SPRING		1
17	4030-2055-01 NS	HOLDER		1	44	4030-5395-01	PAWL		1
18	1165-4308-02	PLATE SPRING		1	45	4030-5389-01	HANDLE		1
19	4030-2046-01	STOPPER		1	46	4030-5392-01	TENSION SPRING		1
20	4030-2043-01	GUIDE		1	47	4030-5391-01	STOPPER		1
21	1164-2050-01	GUIDE		1	48	4109-2003-01	SHOULDER SCREW		1
22	4030-2050-02 NS	BRACKET		1	49	4030-5398-01	COLLAR		1
23	4030-5379-01	GEAR		1	50	1165-4307-01	SEAL		1
24	4030-5378-01	GEAR		1	51	1165-4310-01	SEAL		1
25	4163-5278-01	BUSHING		2	52	1165-5319-01	SEAL		1
26	4030-0152-01	SCREW ASSY		1	53	4011-5338-01	PIN		1
27	4030-5360-01	HOUSING		1	54	9383-2210-11	CONNECTOR 2P		1
28	9326-2900-06	MAGNET		1	55	9383-2200-11	PLUG HOUSING		1
29	4011-5339-01	PLATE NUT		1	56	4030-5313-01	GUIDE		1
30	9334-2710-11	SWITCH	TONER EMP (S4)	1					

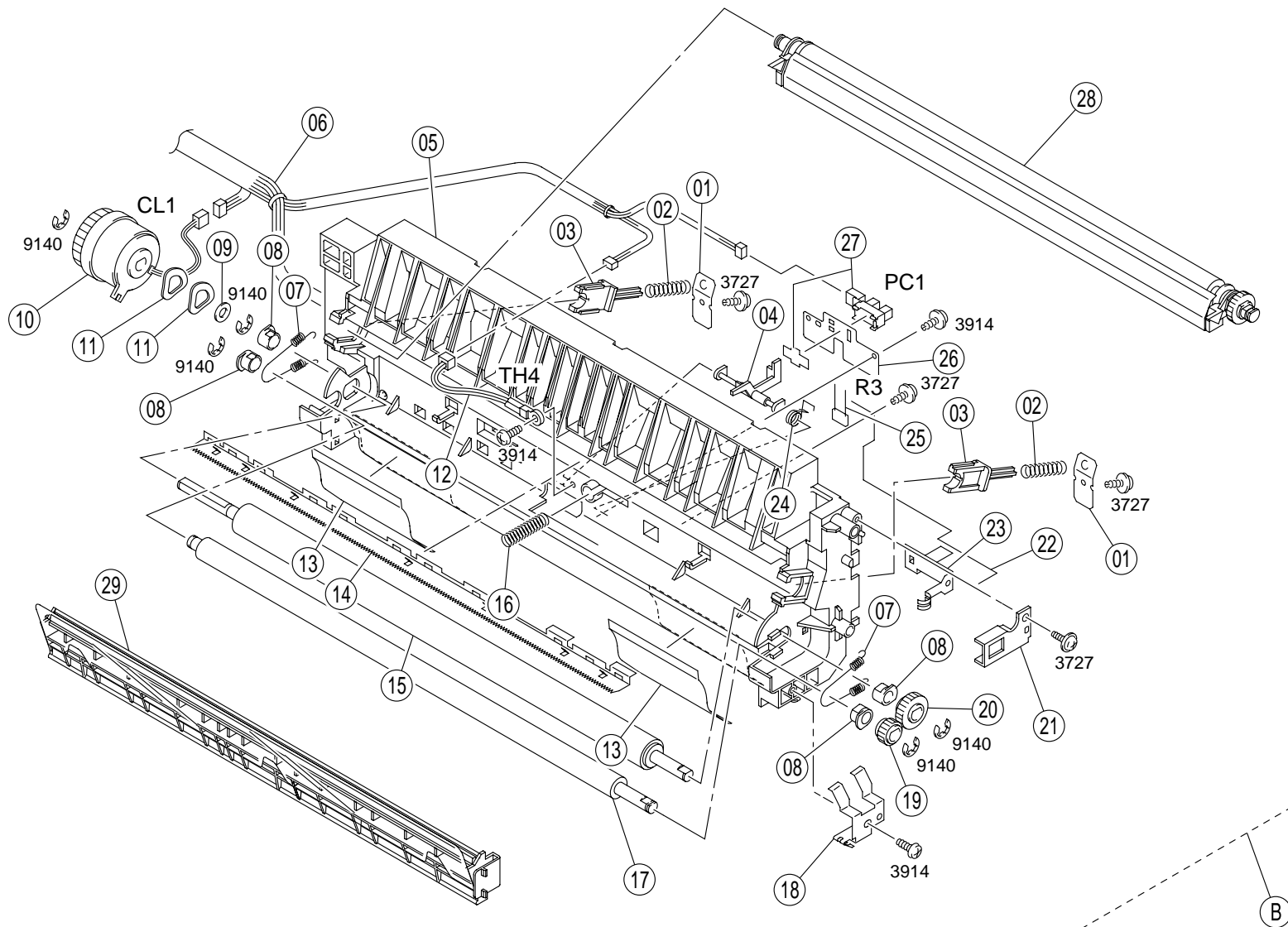
INDEX	PART NO.	PART NAME	REC	QTY	SFIX
05	4030-5314-01	HOLDER		1	001, 011
05	4030-5382-01	HOLDER		1	201, 202, 211, 212, 214, 216, 301, 303, 304, 307, 311, 313, 314
06	4030-5315-01	HOLDER		1	001, 011
06	4030-5380-01	HOLDER		1	201, 202, 211, 212, 214, 216, 301, 303, 304, 307, 311, 313, 314
11	4030-2044-02	TENSION SPRING		1	011
11	4030-2045-01	TENSION SPRING		1	001, 201, 202, 211, 212, 214, 216, 301, 303, 304, 307, 311, 313, 314
57	4030-0758-00	HOPPER UNIT		1	201, 202, 211, 212, 214, 216, 301, 303, 304, 307, 311, 313, 314
57	4030-0767-00	HOPPER UNIT		1	001, 011



INDEX	PART NO.	PART NAME	REC	QTY	INDEX	PART NO.	PART NAME	REC	QTY
01	4030-5204-01	SEAL		1					
02	4030-5203-02	LID		1					
03	4163-5210-02	PRESSURE SPRING		1					
04	4163-5205-01	SHUTTER		1					
05	4163-5238-01	SEAL		1					
06	4163-5208-01	SEAL		1					
07	4163-5209-01	SEAL		1					
08	4163-5240-01	SEAL		1					
09	4163-5239-01	SEAL		1					
10	4163-5207-01	SEAL		1					
11	4515-6051-01	PWB ASSY	ATDC	(UN2)					
12	4515-711	DEVELOPING UNIT		1					
INDEX	PART NO.	PART NAME	REC	QTY	SFIX				
13	1171-0903-02	HEATER KIT		1	001, 011				



INDEX	PART NO.	PART NAME	REC	QTY	INDEX	PART NO.	PART NAME	REC	QTY
01	4030-3502-03	RIGHT COVER		1	20	4030-2021-02	PAWL		1
02	4030-1033-01	COVER		1	21	4030-2013-01	TORSION SPRING		1
03	4030-2023-01	NS BRACKET		1	22	4002-2581-01	SCREW		4
04	4030-2022-01	PAWL		1	23	4011-3508-01	GUIDE		1
05	4011-3515-01	PRESSURE SPRING		2	24	4030-0760-00	PAPER TRANSPORT UNIT		1
06	4030-2024-02	EARTH GROUND		1					
07	4030-2033-01	PLATE NUT		1					
09	9313-1100-31	FAN MOTOR	COOLING	(M5)					
10	4030-3517-01	NS BRACKET		1					
11	4030-3518-01	SEAL		2					
12	4030-3520-01	SEAL		4					
13	4021-7310-01	LABEL		1					
14	4030-2025-01	NS REINFORCE PLATE		1					
15	4030-2052-02	TORSION SPRING		2					
16	4030-3527-01	INSULATING MEMBER		1					
17	4012-3524-01	GUIDE		1					
18	1164-4219-02	TERMINAL		1					
19	4011-2024-01	NS BRACKET		1					
INDEX	PART NO.	PART NAME	REC	QTY	SFIX				
08	4030-3521-01	LID		1	011				
25	4030-3503-01	LID		1	011				

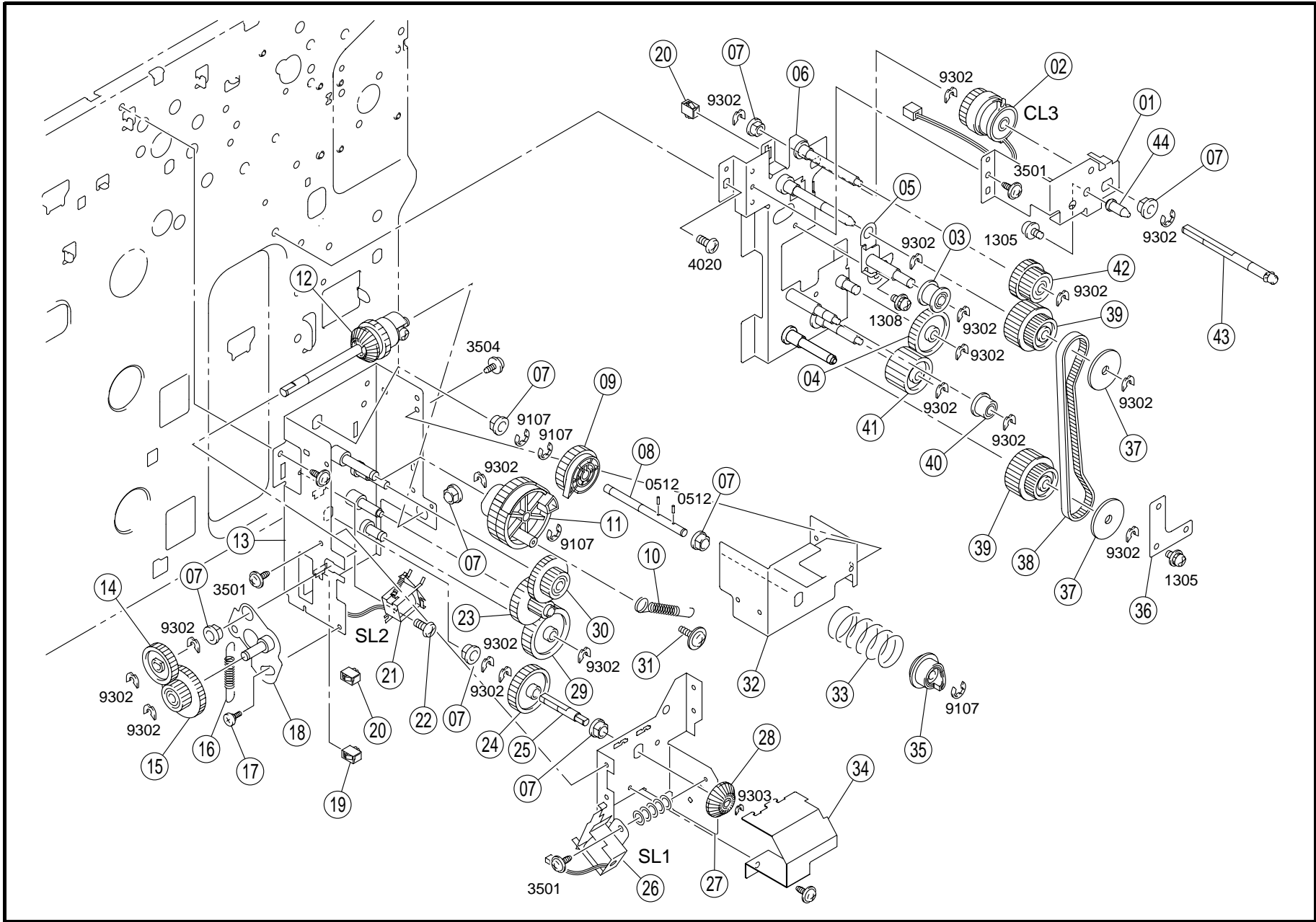


INDEX	PART NO.	PART NAME	REC	QTY	INDEX	PART NO.	PART NAME	REC	QTY
01	1164-4209-02	CONTACT		2	19	1164-3515-01	GEAR	RP	1
02	4030-4207-01	PRESSURE SPRING		2	20	1164-3508-01	GEAR	RP	1
03	1164-4206-02	BUSHING		2	21	1164-4218-01	HOLDER		1
04	4030-3504-01	ACTUATOR		1	22	4030-4220-01	CONTACT		1
05	4030-3501-04	NS HOLDER		1	23	4011-4217-01	CONTACT		1
06	4030-6809-01	NS WIRE HARNESS ASSY		1	24	1164-3527-02	TORSION SPRING		1
07	1164-3513-01	TENSION SPRING		2	25	9455-3078-01	RESISTOR	TRANSFER (R3)	1
08	1164-3549-01	BUSHING	RP	4	26	1164-3529-01	BRACKET		1
09	4011-3512-01	WASHER		1	27	4131-0902-01	PHOTO INTERRUPTER	TIMING (PC1)	1
10	9322-1000-81	CLUTCH		1	28	4030-0751-00	TRANSFER ROLLER ASSY	RP	1
11	4011-3020-01	WASHER		2	29	1165-0756-01	CLEANING PAD ASSY	RP	1
12	9372-2710-21	THERMISTOR		1					
13	4030-3505-01	GUIDE		2					
14	1164-4202-04	NS NEUTRALIZING NEEDLE		1					
15	4011-3510-01	ROLLER		1					
16	4030-4213-02	PRESSURE SPRING		1					
17	4011-3509-01	ROLLER		1					
18	1164-3514-02	EARTH GROUND		1					

INDEX	PART NO.	PART NAME	REC	QTY	SFIX

INDEX	PART NO.	PART NAME	REC	QTY	INDEX	PART NO.	PART NAME	REC	QTY
01	4030-2547-02	SPRING		1	25	4030-2524-01 NS	SHAFT		1
02	4030-2545-01	GEAR		1	26	9314-2100-41	MOTOR (M1.2)		2
03	4030-2544-01	GEAR		1	27	1164-3020-03	LEVER		2
04	4030-2546-01	GEAR		1	28	4011-3012-01	HOLDER		2
05	4030-0210-01 NS	BRACKET ASSY		1	29	4002-3110-01	PRESSURE SPRING		2
06	4030-2530-01	PLATE SPRING		1	30	4002-3131-01	SHOULDER SCREW		2
07	4030-2515-01	GEAR		1	31	4131-0902-01	PHOTO INTERRUPTER (PC7.8.10-17)		8
08	4030-2516-01	GEAR		1	32	4011-0111-01	PWB ASSY SIZE (PWB-I)	RP	2
09	4030-2514-01	GEAR		1	33	4030-6810-02 NS	WIRE HARNESS ASSY		1
10	4030-2506-01	GEAR		1	34	4030-3046-03 NS	BRACKET		2
11	4030-2505-01	GEAR		1	35	4030-3049-01 NS	BRACKET		2
12	4030-2510-01	GEAR		1	36	4030-3048-02 NS	BRACKET		2
13	4030-2511-01	GEAR		1	37	4030-3208-02 NS	BRACKET		2
14	4030-2512-01	GEAR		1	38	9312-1200-31	MOTOR (M7.8)		2
15	1165-2592-01	GEAR		1	39	4030-3047-02	HOLDER		2
16	4030-2542-01	GEAR		1	40	4030-0209-01 NS	BRACKET ASSY		1
17	4030-6813-02 NS	WIRE HARNESS ASSY		1	41	4030-0208-01 NS	BRACKET ASSY		1
18	4030-0211-01 NS	BRACKET ASSY		1	42	4163-5293-01	SCREW		1
19	4030-2526-01	GEAR		1	43	4030-2531-01	SPRING		1
20	4030-2535-01	GEAR		1	44	4030-7316-01	LABEL		1
21	4030-2517-01	GEAR		1	45	4030-3083-01	HOLDER		2
22	4030-2518-01	GEAR		1	46	4030-3081-01	PRESSURE SPRING		4
23	4030-2525-01 NS	BRACKET		1	47	4030-3224-01	SHOULDER SCREW		4
24	4030-2523-01 NS	SHAFT		1					

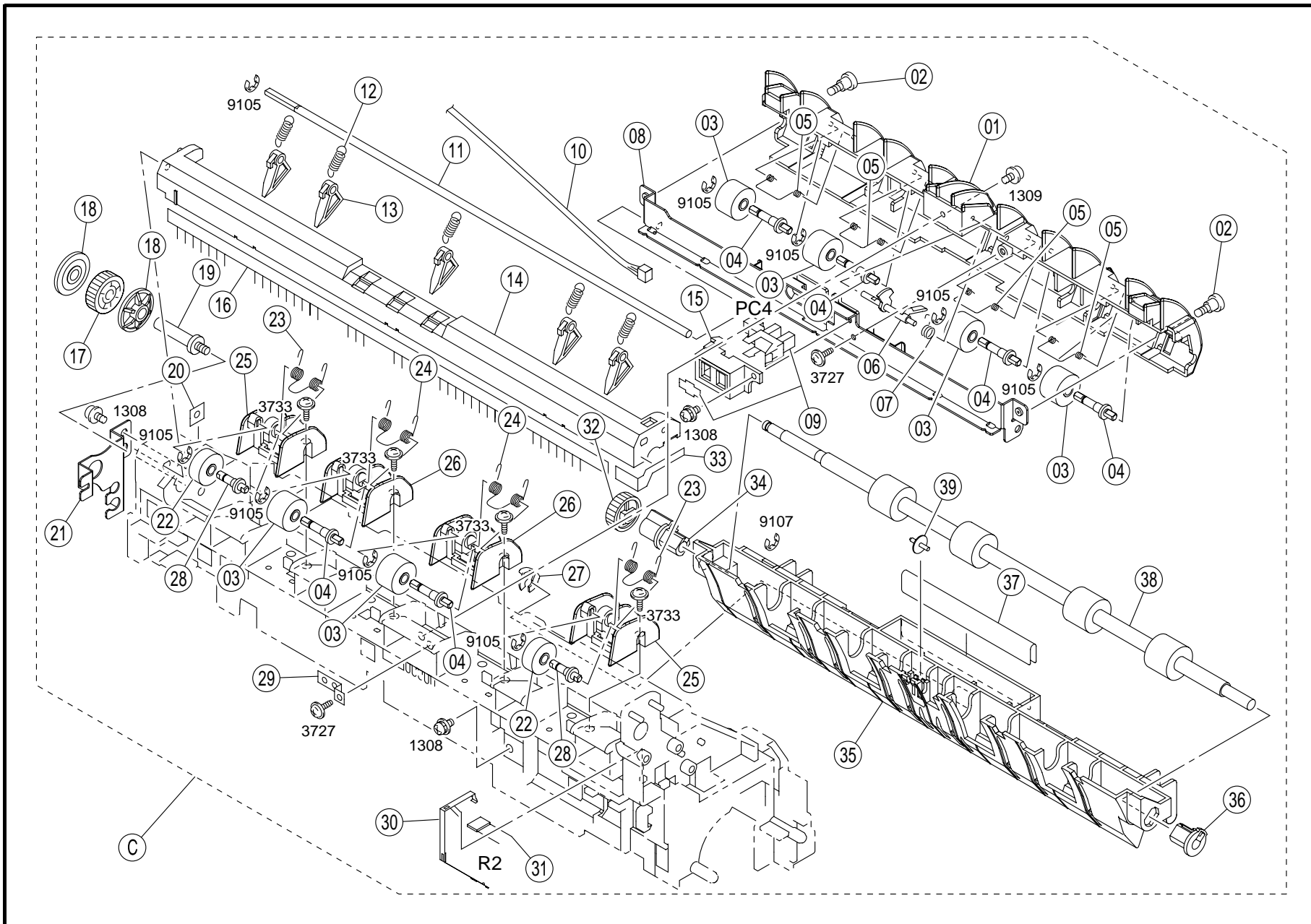
INDEX	PART NO.	PART NAME	REC	QTY	SFIX



INDEX	PART NO.	PART NAME	REC	QTY	INDEX	PART NO.	PART NAME	REC	QTY
01	4030-3051-01 NS	BRACKET		1	23	4030-5376-01	GEAR		1
02	9322-1200-21	CLUTCH TAKE-UP1 (CL3)		1	24	4030-5370-01	GEAR		1
03	1155-2518-01	PULLEY		1	25	4030-5371-01 NS	SHAFT		1
04	4030-3060-01	GEAR		1	26	9321-2200-62	SOLENOID TONER (SL1)		1
05	4030-0201-01 NS	BRACKET ASSY		1	27	4030-5329-02 NS	BRACKET		1
06	4030-0202-01 NS	BRACKET ASSY		1	28	1165-5311-01	GEAR		1
07	4131-3003-01	BUSHING		8	29	1165-2592-01	GEAR		1
08	4030-5372-01 NS	SHAFT		1	30	4030-5367-01	GEAR		1
09	4030-5369-02	GEAR		1	31	4163-5293-01	SCREW		1
10	4030-5373-01	TENSION SPRING		1	32	4030-5355-02 NS	BRACKET		1
11	4030-5368-02	GEAR		1	33	4030-5374-01	PRESSURE SPRING		1
12	4030-0154-03	GEAR ASSY		1	34	4030-5331-01 NS	COVER		1
13	4030-0214-02 NS	BRACKET ASSY		1	35	4030-5330-01	JOINT		1
14	4030-5334-01	GEAR		1	36	4030-3052-01 NS	BRACKET		1
15	4030-5328-01	GEAR		1	37	4030-3055-01	COLLAR		2
16	4030-5324-01	TENSION SPRING		1	38	4030-3054-01	TIMING BELT		1
17	4030-5377-01	SHOULDER SCREW		1	39	4030-3053-01	PULLEY		2
18	4030-0215-01 NS	BRACKET ASSY		1	40	1067-2513-01	PULLEY		1
19	9383-2210-21	CONNECTOR 2P		1	41	4030-3059-01	GEAR		1
20	9383-2210-11	CONNECTOR 2P		2	42	4030-3071-01	GEAR		1
21	9321-2100-41	SOLENOID TONER (SL2)		1	43	4030-3057-01 NS	SHAFT		1
22	4683-2137-01	SCREW		1	44	4030-3067-01 NS	SHAFT		1

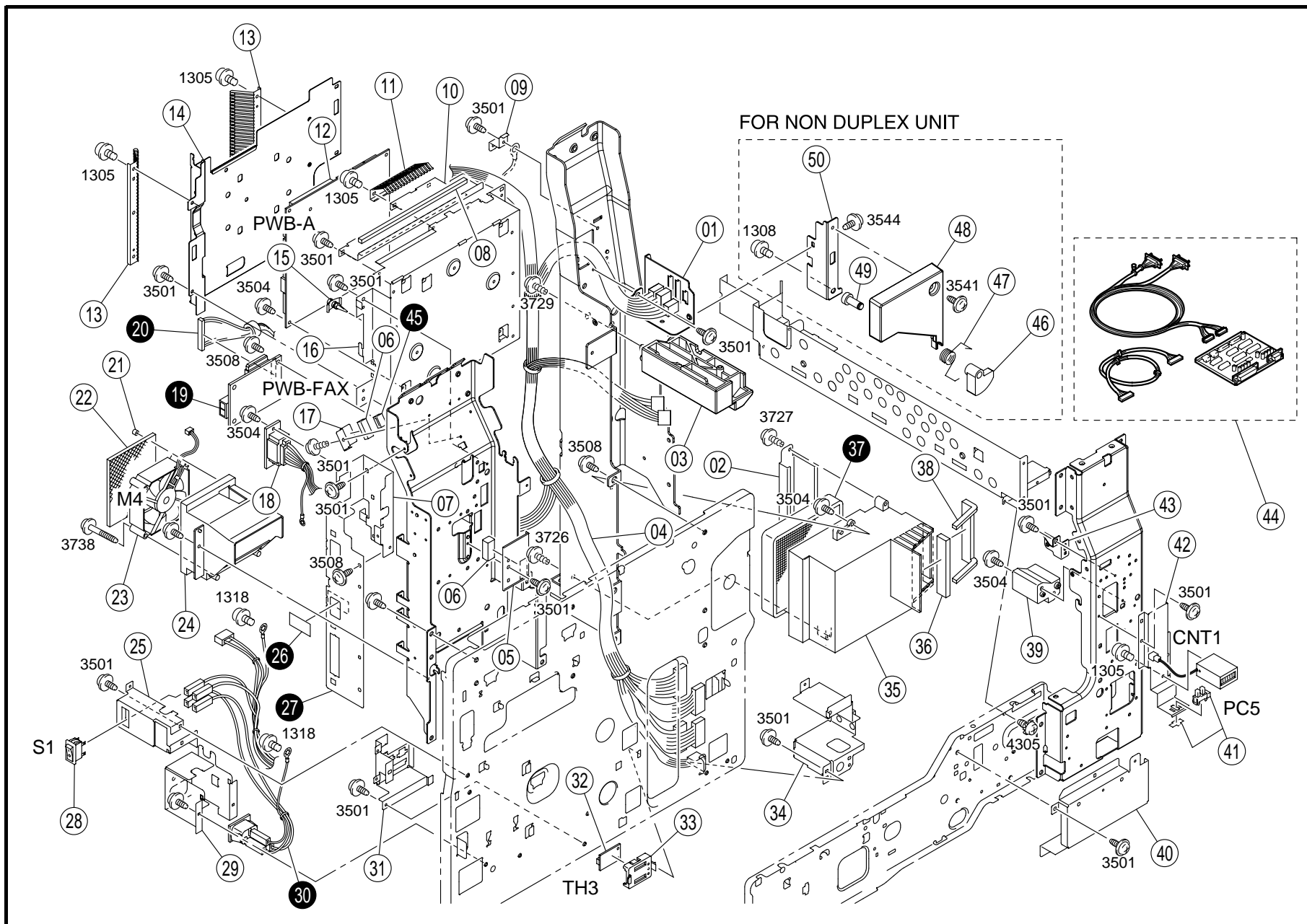
INDEX	PART NO.	PART NAME	REC	QTY	SFIX

INDEX	PART NO.	PART NAME	REC	QTY	INDEX	PART NO.	PART NAME	REC	QTY
01	4021-7310-01	LABEL		2	29	4030-5728-01	GEAR		1
02	4030-5827-01	SHOULDER SCREW		2	30	4030-5730-01	GEAR		1
03	4030-5852-01	COVER		1	31	4030-5739-01	SHOULDER SCREW		1
04	4030-5702-02	ROLLER		1	32	4030-5733-02 NS	BRACKET		1
05	4030-5701-03	ROLLER		1	33	9372-2200-51	THERMISTOR FUSING (TH1.2)		2
06	4030-5732-01	LEVER		1	34	4030-5743-01 NS	HOLDER		2
07	4030-5712-02	TENSION SPRING		2	35	9334-1300-11	THERMAL SWITCH FUSING (TS1)		1
08	4011-5758-02	BALL BEARING		2	36	4030-5706-02	HOLDER		1
09	4030-5802-01	ROLLER		1	37	4030-5713-02 NS	GUIDE PLATE		1
10	4030-5801-03 NS	FRAME		1	38	4030-5710-03 NS	BRACKET		1
11	4030-5840-02	BUSHING		1	39	4030-5705-01	THERMAL INSULATOR		1
12	4030-5812-01	GEAR		1	40	4030-5740-02	BUSHING		1
13	4030-5822-03	HOLDER		1	41	4030-5711-01 NS	FRAME		1
14	4030-5817-02	GEAR		1	42	4030-0218-01 NS	BRACKET ASSY		1
15	4030-5816-01	GEAR		1	43	4030-5749-01	HOLDER		1
18	4030-5820-03	HOLDER		1	44	4030-5726-03	COVER		1
19	4030-5821-02	TORSION SPRING		1	45	4030-5708-01	LEVER		1
20	4030-5727-02	COVER		1	46	4030-5842-01	BUSHING		1
21	4030-5814-01	GEAR		1	47	4030-5714-01	EARTH GROUND		1
22	4030-5815-01	GEAR		1	49	4030-5850-01	STOP PLATE		1
23	4030-5741-02	BUSHING		1	50	4030-5832-02	COVER		1
24	4030-5703-02	GEAR		1	51	4109-2003-01	SHOULDER SCREW		2
25	4030-5830-01	GEAR		1	52	9313-1100-51	FAN MOTOR FUSING (M10)		1
26	4011-5762-01	BALL BEARING		2	53	4030-7341-01	LABEL		1
27	4030-0217-01 NS	BRACKET ASSY		1	54	4030-5851-01	STOP PLATE		1
28	4030-5729-01 NS	SHAFT		1	55	4030-5838-01	DUCT		1
INDEX	PART NO.	PART NAME	REC	QTY	SFIX				
16	9352-2200-63	HEATER FUSING (H1)		1	001, 011				
16	9352-2200-73	HEATER FUSING (H1)		1	301, 303, 304, 307, 311, 313, 314				
16	9352-2200-83	HEATER FUSING (H1)		1	201, 202, 211, 212, 214, 216				
17	9352-2200-92	HEATER FUSING (H2)		1	001, 011				
17	9352-2201-02	HEATER FUSING (H2)		1	301, 303, 304, 307, 311, 313, 314				
17	9352-2201-12	HEATER FUSING (H1)		1	201, 202, 211, 212, 214, 216				
48	4030-0755-00	FUSING UNIT	RP	1	001, 011				
48	4030-0756-00	FUSING UNIT	RP	1	301, 303, 304, 307, 311, 313, 314				
48	4030-0757-00	FUSING UNIT	RP	1	201, 202, 211, 212, 214, 216				



INDEX	PART NO.	PART NAME	REC	QTY	INDEX	PART NO.	PART NAME	REC	QTY
01	4030-5752-03	GUIDE		1	21	4030-5721-02	HOLDER		1
02	4030-5827-01	SHOULDER SCREW		2	22	4030-5854-01	ROLL		2
03	4030-5805-03	ROLL		6	23	4030-5858-01	TORSION SPRING		2
04	4030-5856-01	NS SHAFT		6	24	4030-5806-01	TORSION SPRING		2
05	4030-5807-01	TORSION SPRING		4	25	4030-5855-01	HOLDER		2
06	4030-5809-02	ACTUATOR		1	26	4030-5843-02	HOLDER		2
07	4030-5810-02	TORSION SPRING		1	27	1164-3065-01	STOPPER RING		1
08	4030-5750-03	NS BRACKET		1	28	4030-5857-01	NS SHAFT		2
09	4131-0902-01	PHOTO INTERRUPTER	EXIT	(PC4)	1	29	4030-5848-01	NS POSITIONING PLATE	
10	4030-6817-01	NS WIRE HARNESS ASSY		1	30	4030-5715-01	EARTH GROUND		1
11	4030-5753-01	NS SHAFT		1	31	9455-1078-01	RESISTOR	FUSING (R2)	1
12	4030-5717-01	TENSION SPRING		5	32	4030-5813-01	GEAR		1
13	4030-5716-02	SEPARATOR		5	33	4030-5847-01	NETURALIZING MEMBER		1
14	4030-5839-03	HOLDER		1	34	4030-5811-01	BUSHING		1
15	4030-5808-02	HOLDER		1	35	4030-5825-02	GUIDE		1
16	4030-5823-01	NEUTRALIZING BRUSH		1	36	4030-5834-01	BUSHING		1
17	4030-5836-01	GEAR		1	37	4030-7340-01	PROTECTION		1
18	4030-5844-02	COLLAR		2	38	4030-5803-01	ROLLER		1
19	4030-5845-02	NS SHOULDER SCREW		1	39	4030-5841-01	ROLL		1
20	4030-5751-01	PLATE NUT		1					

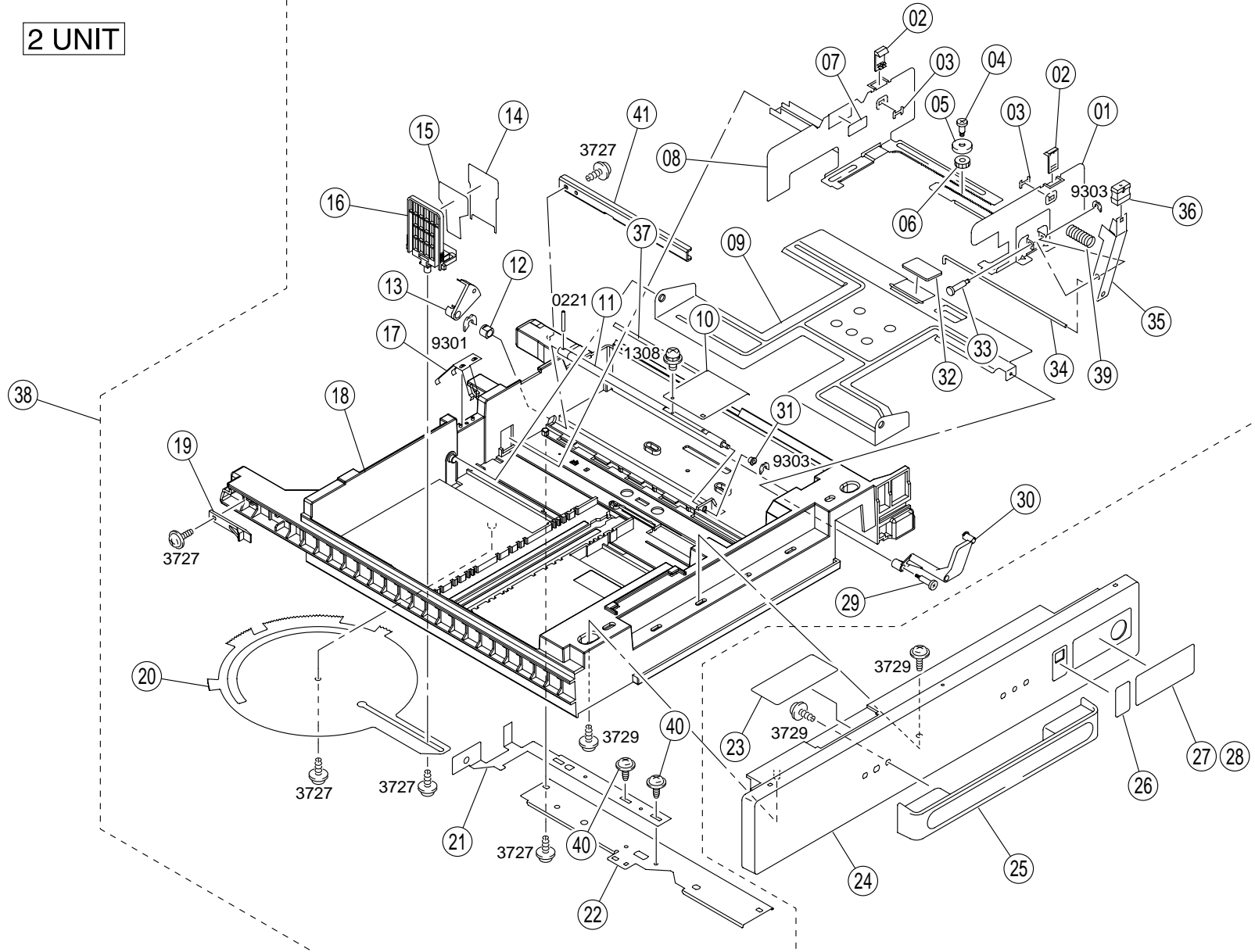
INDEX	PART NO.	PART NAME	REC	QTY	SFIX



INDEX	PART NO.	PART NAME	REC	QTY	INDEX	PART NO.	PART NAME	REC	QTY
01	4030-2307-01	NS BRACKET		1	25	4030-2150-01	NS BRACKET		1
02	4030-3522-01	NS GUIDE		1	28	0990-6304-02	SWITCH MAIN (S1)		1
03	4030-2306-02	HOLDER		1	29	4030-2131-02	NS BRACKET		1
04	4030-6808-02	NS WIRE HARNESS ASSY		1	31	4030-2133-01	NS BRACKET		1
05	4030-2106-01	NS SHIELD		1	32	9372-5100-12	HUMIDITY CONVERSION EL. TEMP (TH3)		1
06	4030-6757-01	ELECTRICALLY CONDUCTIVE		2	33	4030-2103-01	HOLDER		1
07	4030-2135-01	NS BRACKET		1	34	4030-2039-02	NS BRACKET		1
08	1155-6216-01	SHIELD		1	35	4030-3519-01	DUCT		1
09	4030-2312-01	NS BRACKET		1	36	4030-3524-01	CUSHION		1
10	4030-2159-02	NS BRACKET		1	38	4030-3523-02	CUSHION		1
11	4030-2160-02	EARTH GROUND		1	39	4030-2305-01	HOLDER		1
12	4031-0110-02	PWB ASSY MAIN (PWB-A)	RP	1	40	4030-2060-02	NS BRACKET		1
13	4030-2161-01	EARTH GROUND		2	41	4131-0902-01	PHOTO INTERRUPTER DOOR SET (PC5)		1
14	4030-2111-03	NS SHIELD		1	42	4030-2122-01	NS BRACKET		1
15	9384-1621-21	PWB SUPPORT 6.4H		4	43	4030-2304-01	NS BRACKET		1
16	4030-2110-01	NS BRACKET		1	44	4030-0901-01	JIG FW UP-DATE PWB KIT		1
17	4030-2119-01	NS SHIELD		1	46	4030-2313-01	STOPPER		1
18	4030-6815-01	NS WIRE HARNESS ASSY		1	47	4030-2315-01	TORSION SPRING		1
21	4658-3047-01	COLLAR		2	48	4030-1021-02	RIGHT COVER		1
22	4030-2107-01	FILTER		1	49	4030-2314-01	NS SHAFT		1
23	9313-1100-41	FAN MOTOR PU COOL (M4)		1	50	4030-2316-01	NS BRACKET		1
24	4030-2108-01	NS DUCT		1					

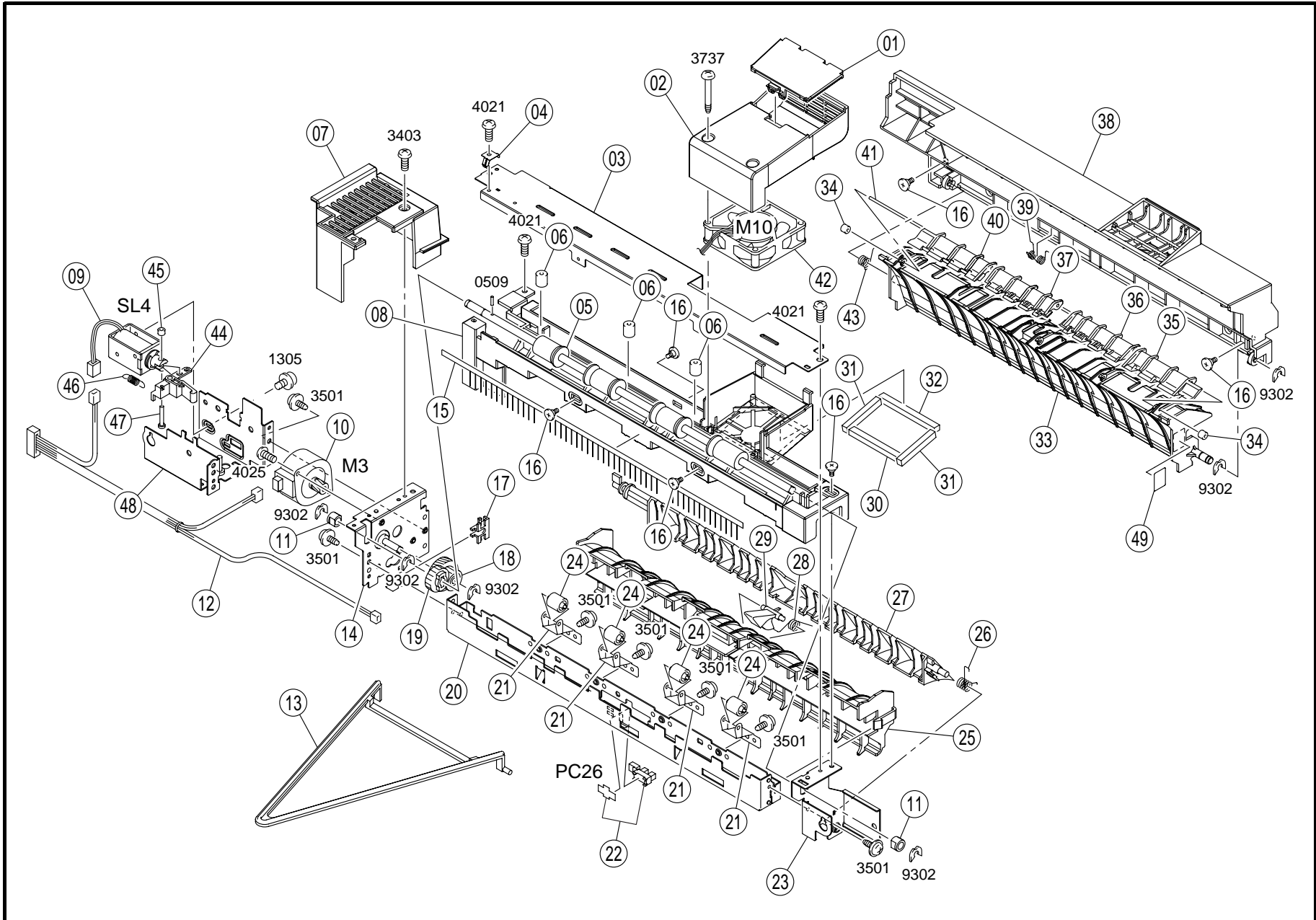
INDEX	PART NO.	PART NAME	REC	QTY	SFIX
19	4384-1004-01	PWB ASSY PKG (PWB-FAX)	RP	1	001
19	4384-1100-01	PWB ASSY PKG (PWB-FAX)	RP	1	301, 307
19	4384-1101-01	PWB ASSY PKG (PWB-FAX)	RP	1	201, 202, 303, 304
20	4384-1005-01	WIRE HARNESS ASSY		1	001, 201, 202, 301, 303, 304, 307
26	4011-2148-01	LABEL		1	001, 201, 202, 301, 303, 304, 307
27	4030-2125-01	NS BRACKET		1	001, 301, 303, 304, 307
27	4030-2126-01	NS BRACKET		1	201, 202
27	4030-2127-02	NS BRACKET		1	011, 211, 212, 214, 216, 311, 313, 314
30	4030-6851-02	NS WIRE HARNESS ASSY		1	001, 011
30	4030-6852-02	NS WIRE HARNESS ASSY		1	201, 202, 211, 212, 214, 216, 301, 303, 304, 307, 311, 313, 314
37	4011-2031-01	FILTER	RP	1	202, 212, 214, 216, 301, 303, 304, 307, 311, 313, 314
37	4011-2032-01	FILTER	RP	1	001, 011, 201, 211
45	9326-1000-51	FERRITE CORE		1	201, 202, 211, 212, 216, 303, 313

2 UNIT



INDEX	PART NO.		PART NAME	REC	QTY	INDEX	PART NO.	PART NAME	REC	QTY
01	4030-3211-02	NS	REGULATING PLATE		2	22	4030-3218-01	BRACKET		2
02	4658-3048-01		GUIDE		4	23	4030-7304-02	LABEL		2
03	4658-3049-01		STOPPER		4	24	4030-3202-02	COVER		2
04	4030-3214-01		SHOULDER SCREW		2	25	4030-3225-01	HANDLE		2
05	4030-3215-01		GUIDE		2	26	4030-7301-02	LABEL		2
06	4658-3012-01		GEAR		2	27	4030-7302-02	LABEL		1
07	4002-7306-01		LABEL		2	28	4030-7303-02	LABEL		1
08	4030-3212-01	NS	REGULATING PLATE		2	29	4030-3224-01	SHOULDER SCREW		2
09	4030-3203-01	NS	LIFTING PLATE		2	30	4030-3221-01	LEVER		2
10	4030-3206-01	NS	LEVER		2	31	0992-3014-01	BUSHING		2
11	4030-3205-01	NS	SHAFT		2	32	4030-3226-01	FRICTION SHEET		2
12	1274-3603-01		BUSHING		2	33	4498-3826-01	SHAFT		2
13	4030-3207-01		ACTUATOR		2	34	4030-3217-01	NS SHAFT		2
14	4030-3228-01		GUIDE		2	35	4128-3823-01	LEVER		2
15	4030-3227-01		GUIDE		2	36	4498-3804-01	KNOB		2
16	4030-3213-01		REGULATING PLATE		2	37	4030-3222-01	GUIDE		2
17	4030-3223-02		EARTH GROUND		2	38	4030-0155-05	CASSETTE ASSY		2
18	4030-3201-03	NS	CASSETTE		2	39	4498-3825-01	PRESSURE SPRING		2
19	4498-3469-01		STOPPER		2	40	4498-3834-01	SCREW		4
20	4002-3108-01	NS	LEVER		2	41	4030-3229-02	NS REINFORCE PLATE		2
21	4030-3216-01	NS	BRACKET		2					

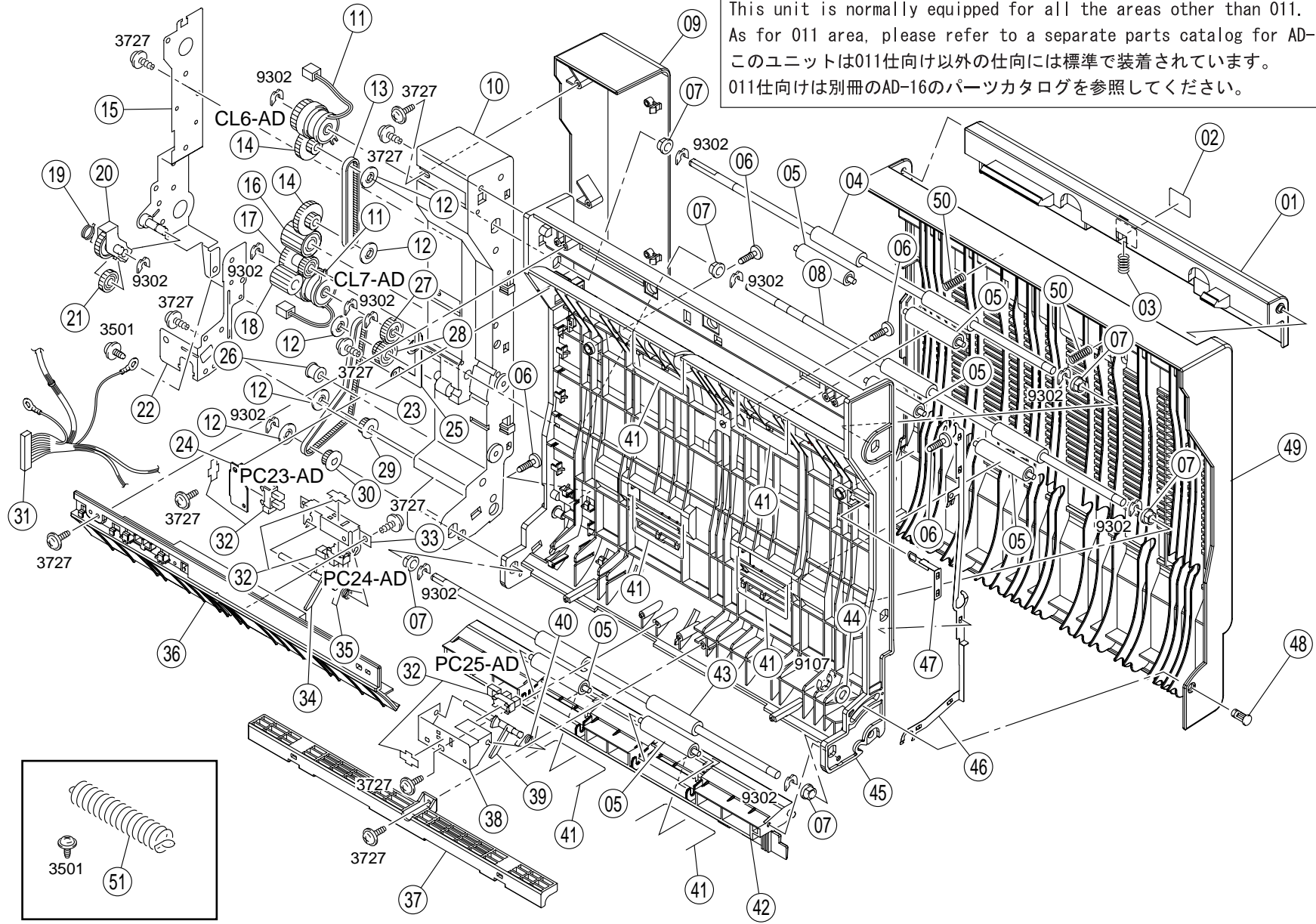
INDEX	PART NO.		PART NAME	REC	QTY		SFIX



INDEX	PART NO.	PART NAME	REC	QTY	INDEX	PART NO.	PART NAME	REC	QTY
01	4030-3836-01	DUCT		1	26	4030-3808-01	TORSION SPRING		1
02	4030-3835-01	DUCT		1	27	4030-3807-03	GUIDE		1
03	4030-3802-01	FRAME		1	28	4030-3819-01	TORSION SPRING		1
04	4030-3834-01	EARTH GROUND		1	29	4030-3818-02	ACTUATOR		1
05	4030-3815-01	ROLLER		1	30	4030-3839-01	SEAL		1
06	4498-3388-01	COLLAR		3	31	4030-3838-02	SEAL		2
07	4030-3820-01	COVER		1	32	4030-3837-01	SEAL		1
08	4030-3803-02	COVER		1	33	4030-3806-02	GUIDE		1
09	9321-2200-31	SOLENOID	SWITCHBACK (SL4)	1	34	1134-3041-01	COLLAR		2
10	9314-1200-91	MOTOR	SWITCHBACK (M3)	1	35	4030-3814-01	GUIDE		1
11	1139-3169-01	BUSHING		2	36	4030-3813-01	GUIDE		1
12	4030-6824-01	WIRE HARNESS ASSY		1	37	4030-3812-01	GUIDE		1
13	4641-4504-02	GUIDE		1	38	4030-3804-02	DOOR		1
14	4030-0206-01	BRACKET ASSY		1	39	4030-3825-02	TORSION SPRING		1
15	4030-3833-01	NEUTRALIZING BRUSH		1	40	4030-3811-01	GUIDE		1
16	4011-5852-02	SHOULDER SCREW		6	41	4030-3829-01	SHAFT		1
17	4030-3823-01	BUSHING		1	42	9313-1100-51	FAN MOTOR	FUSING (M10)	1
18	4030-3821-01	GEAR		1	43	4030-3824-01	TORSION SPRING		1
19	4030-3826-01	GEAR		1	44	4030-3809-01	LEVER		1
20	4030-3801-02	NS FRAME		1	45	1200-2105-02	COLLAR		1
21	4030-3817-01	PLATE SPRING		4	46	4030-3810-01	TENSION SPRING		1
22	4131-0902-01	PHOTO INTERRUPTER	(PC26)	1	47	4002-3779-01	PIN		1
23	4030-3805-02	GUIDE		1	48	4030-0207-02	BRACKET ASSY		1
24	4426-4411-02	ROLL		4	49	4030-7342-01	LABEL		1
25	4030-3830-01	FRAME		1					

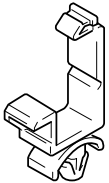
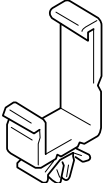
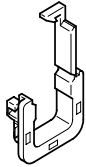
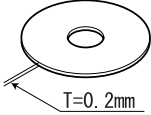
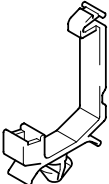
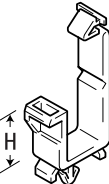


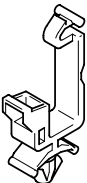
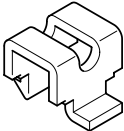
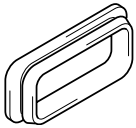
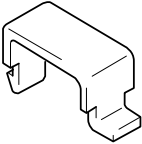

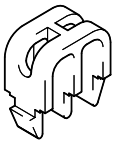
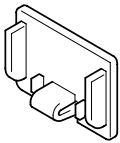
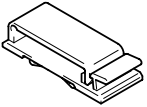
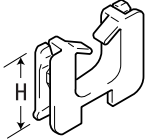
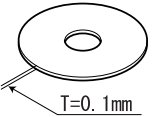
INDEX	PART NO.	PART NAME	REC	QTY	SFIX

This unit is normally equipped for all the areas other than 011.
 As for 011 area, please refer to a separate parts catalog for AD-16.
 このユニットは011仕向け以外の仕向けには標準で装着されています。
 011仕向けは別冊のAD-16のパーツカタログを参照してください。



























INDEX	PART NO.	PART NAME	REC	QTY	INDEX	PART NO.	PART NAME	REC	QTY
01	4030-3751-02	LEVER		1	27	4030-3743-02	GEAR		1
02	4030-3754-01	LABEL		1	28	4030-3744-01	PULLEY		1
03	4661-3106-01	PRESSURE SPRING		1	29	4030-3745-01	PULLEY		1
04	4030-3707-01	ROLLER		1	30	4030-3750-01	PULLEY		1
05	4497-3116-01	ROLL		6	31	4030-6823-02	NS WIRE HARNESS ASSY		1
06	4030-3710-01	SHOULDER SCREW		4	32	4131-0902-01	PHOTO INTERRUPTER (PC23-25-AD)		3
07	0928-3033-01	BUSHING		6	33	4030-3739-01	NS BRACKET		1
08	4030-3708-01	ROLLER		1	34	4030-3737-01	ACTUATOR		1
09	4030-3704-03	COVER		1	35	4030-3738-03	TORSION SPRING		1
10	4030-3711-02	NS BASE FRAME		1	36	4030-3706-01	GUIDE UPPER		1
11	9322-1200-21	CLUTCH		2	37	4030-3703-01	GUIDE		1
12	4030-3749-01	COLLAR		5	38	4030-3742-01	NS BRACKET		1
13	4030-3747-01	TIMING BELT		1	39	4030-3740-01	ACTUATOR		1
14	4030-3748-01	PULLEY		2	40	4030-3741-03	TORSION SPRING		1
15	4030-0220-01	NS BRACKET ASSY		1	41	4497-3114-01	MEMBER		6
16	4030-3726-01	GEAR		1	42	4030-3705-01	GUIDE		1
17	4030-3725-01	GEAR		1	43	4030-3709-01	ROLLER		1
18	4030-3713-01	GEAR		1	44	4661-3155-01	WASHER		1
19	4030-3733-03	TORSION SPRING		1	45	4030-3701-02	NS BASE FRAME		1
20	4030-0219-01	LEVER ASSY		1	46	4030-3753-01	EARTH GROUND		1
21	4030-3729-01	GEAR		1	47	4030-3735-01	EARTH GROUND		1
22	4030-3736-01	NS BRACKET		1	48	4661-3150-01	PIN		1
23	4030-3746-01	TIMING BELT		1	49	4030-3702-02	COVER		1
24	4030-3752-01	NS BRACKET		1	50	4030-3755-01	PRESSURE SPRING		2
25	4030-3734-01	EARTH GROUND		1	51	4030-2045-01	TENSION SPRING		1
26	4657-3714-01	ROLL		1					

INDEX	PART NO.	PART NAME	REC	QTY	SFIX

<p>01</p> 	<p>06</p> 	<p>13</p> 	<p>18</p>  <p>T=0.2mm</p>				
<p>02</p> 	<p>07-09</p>  <p>H</p>	<p>14</p> 	<p>19</p> 				
<p>03</p> 	<p>10</p> 	<p>15</p> 	<p>20</p> 				
<p>04</p> 	<p>11</p> 	<p>16</p> 					
<p>05</p> 	<p>12</p>  <p>H</p>	<p>17</p>  <p>T=0.1mm</p>					

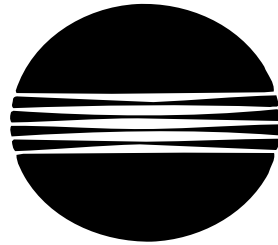
INDEX	PART NO.	PART NAME	REC	QTY	INDEX	PART NO.	PART NAME	REC	QTY
01	9384-1000-51	WIRING SADDLE		23	19	1031-4403-01	RING		1
02	9384-1100-11	WIRING SADDLE		1	20	1053-4812-01	CORD CLAMP		2
03	9384-1100-91	WIRING SADDLE		68					
04	9384-1110-61	WIRING SADDLE 21.5H		3					
05	9384-1300-11	RETAINER		1					
06	9384-1310-91	WIRING SADDLE 18.5H		1					
07	9384-1921-01	WIRING SADDLE 14.4H		18					
08	9384-1921-11	WIRING SADDLE 9.2H		2					
09	9384-1921-31	WIRING SADDLE 17.3H		8					
10	4011-5788-01	CORD CLAMP		3					
11	4030-5853-01	CORD CLAMP		4					
12	9384-2010-21	EDGE COVER 8.5H		16					
13	9384-2910-31	EDGE COVER		12					
14	9384-1311-11	CABLE TIE 104L		9					
15	1050-4805-01	INSULATING MEMBER		2					
16	9384-2910-11	CN COVER		1					
17	4030-2053-01	SPACER		1			T=0.1MM		
18	4030-2054-01	SPACER		1			T=0.2MM		
INDEX	PART NO.	PART NAME	REC	QTY	SFIX				

INDEX	PART NO.	PART NAME	ILLUST	INDEX	PART NO.	PART NAME	ILLUST	INDEX	PART NO.	PART NAME	ILLUST				
0221	9754-3025-08	SPRING ROLL PIN		3211	9657-0314-07	TAPPING SCREW		4011	9743-0308-13	TAPPING SCREW					
0509	9752-2012-50	PIN		3303	9732-0306-13	TAPPING SCREW		4012	9743-0306-13						
0512	9752-2008-50			3305	9732-0308-13			4020	9743-0408-14						
1115	9642-0308-13	SCREW		3338	9732-0308-14			4021	9743-0308-14			4025	9743-0306-14		
				3340	9732-0310-14			4601	9747-1740-07			7101	9684-0303-08	SET SCREW	
1210	9644-0308-13	SCREW		3403	9733-0308-13			TAPPING SCREW		8301	9712-0300-13	WASHER			
1285	9644-0304-21			3405	9733-0310-13	8501	9716-0300-01							WASHER	
1304	9646-0306-07	SCREW		3501	9735-0306-13	TAPPING SCREW		8510	9716-0600-01	RETAINING RING					
1305	9646-0306-13			3504	9735-0308-13			9105	9721-0300-01			RETAINING RING			
1308	9646-0308-13			3508	9735-0408-13			9107	9721-0400-01						
1309	9646-0310-13			3512	9735-0306-07			9109	9721-0500-01						
1311	9646-0314-13			3520	9735-0314-13			9115	9721-0800-01						
1312	9646-0316-13			3530	9735-0312-07			9140	9721-0500-13						
1318	9646-0408-13			3538	9735-0408-14			9301	1066-1151-01	RETAINING RING					
1349	9646-0306-01			3541	9735-0308-14			9302	4425-3001-01						
1352	9646-0304-13			3543	9735-0310-14			9303	4425-3002-01						
1353	9646-0330-13			3544	9735-0306-14			TAPPING SCREW							
1356	9646-0308-01			3546	4106-2063-01										
1409	9648-0308-21			SCREW								3547	4154-3804-01		
		3548	9735-0330-13			3701	9739-0408-13								
1460	9648-0306-21	SCREW		3703	9739-0412-13	TAPPING SCREW									
				1517	9652-0306-07									3704	9739-0308-13
1608	9654-0308-01	SCREW		3726	9739-0408-14										
				1634	9654-0304-13									3727	9739-0308-14
				1655	9654-0304-01									3729	9739-0410-14
1723	9737-0308-13	SCREW		3730	9739-0306-14										
				3733	9739-0310-14										
				3737	9739-0335-14										
2706	9654-0408-14	SCREW		3738	9739-0330-14			TAPPING SCREW							
				2719	9654-0308-14									3907	9742-0308-13
				3914	9742-0308-07										

PART NO.	FIG.	INDEX	QTY		PART NO.	FIG.	INDEX	QTY		PART NO.	FIG.	INDEX	QTY		PART NO.	FIG.	INDEX	QTY	
0866-7801-01	06	31	1		1165-2592-01	18	15	1		4030-0151-01	11	06	1		4030-1052-01	03	13	1	
0928-3033-01	25	07	6		1165-2592-01	19	29	1		4030-0152-01	14	26	1		4030-1053-01	03	16	1	
0990-6304-02	22	28	1		1165-4305-02	14	16	1		4030-0153-01	14	32	1		4030-1381-01	03	10	1	
0992-3014-01	23	31	2		1165-4307-01	14	50	1		4030-0154-03	19	12	1		4030-1382-01	03	07	1	
1031-4403-01	26	19	1		1165-4308-02	14	18	1		4030-0155-05	23	38	2		4030-1383-02	03	11	1	
1033-4402-01	02	19	1		1165-4310-01	14	51	1		4030-0201-01	19	05	1		4030-1384-03	03	04	1	
1050-4805-01	26	15	2		1165-5308-01	14	35	1		4030-0202-01	19	06	1		4030-1385-01	03	06	2	
1052-4412-01	09	26	1		1165-5309-02	14	34	1		4030-0203-03	10	10	1		4030-1386-01	03	12	1	
1053-4812-01	26	20	2		1165-5311-01	19	28	1		4030-0204-01	12	15	1		4030-1387-01	03	05	1	
1065-3086-01	09	22	1		1165-5319-01	14	52	1		4030-0205-01	12	32	1		4030-1388-02	03	03	1	
1065-3086-01	10	23	1		1165-5325-01	14	04	3		4030-0206-01	24	14	1		4030-1390-03	03	09	1	
1067-2501-01	09	24	2		1165-5327-03	14	03	1		4030-0207-02	24	48	1		4030-1501-02	01	21	1	
1067-2501-01	10	11	2		1165-6832-01	07	28	1		4030-0208-01	18	41	1		4030-1502-01	01	22	1	
1067-2502-01	12	09	2		1171-0903-02	15	13	1		4030-0209-01	18	40	1		4030-1503-02	01	17	1	
1067-2513-01	19	40	1		1171-1125-02	01	10	1		4030-0210-01	18	05	1		4030-1504-02	01	07	1	
1070-3072-01	09	25	1		1171-1126-01	01	09	1		4030-0211-01	18	18	1		4030-1505-03	01	01	1	
1075-0130-02	13	23	1		1171-1321-01	03	14	6		4030-0214-02	19	13	1		4030-1506-01	01	08	1	
1075-2565-01	12	34	1		1200-1342-03	10	39	1		4030-0215-01	19	18	1		4030-1507-01	01	04	1	
1079-2219-01	07	20	2		1200-2105-02	24	45	1		4030-0216-03	13	24	1		4030-1508-02	01	02	1	
1129-7303-01	07	22	1		1200-2105-05	10	33	1		4030-0217-01	20	27	1		4030-1509-01	01	06	1	
1129-7303-01	08	24	1		1200-5212-04	10	25	1		4030-0218-01	20	42	1		4030-1510-01	01	03	1	
1131-7802-01	06	29	1		1274-2611-01	12	21	3		4030-0219-01	25	20	1		4030-1511-01	01	15	1	
1131-7802-01	06	30	1		1274-3603-01	23	12	2		4030-0220-01	25	15	1		4030-1515-01	01	20	1	
1134-3041-01	24	34	2		1300-3322-17	12	31	1		4030-0751-00	17	28	1		4030-2004-01	06	19	1	
1134-3042-01	08	04	1		4002-2581-01	16	22	4		4030-0752-00	12	55	1		4030-2005-02	07	25	1	
1134-3042-01	13	05	4		4002-3108-01	23	20	2		4030-0753-00	12	55	1		4030-2006-01	07	24	1	
1139-1703-02	01	11	3		4002-3110-01	18	29	2		4030-0754-00	12	55	1		4030-2007-01	07	29	1	
1139-1704-14	01	14	1		4002-3123-01	07	31	2		4030-0755-00	20	48	1		4030-2008-02	07	27	1	
1139-1705-01	01	16	2		4002-3131-01	18	30	2		4030-0756-00	20	48	1		4030-2009-01	07	16	2	
1139-1706-01	01	13	1		4002-3779-01	24	47	1		4030-0757-00	20	48	1		4030-2010-01	07	04	1	
1139-3169-01	24	11	2		4002-7306-01	23	07	2		4030-0758-00	14	57	1		4030-2011-01	07	06	1	
1149-3454-01	11	26	1		4011-0111-01	18	32	2		4030-0760-00	16	24	1		4030-2012-01	07	21	1	
1151-5023-01	14	09	2		4011-0112-01	06	24	1		4030-0763-01	04	01	1		4030-2013-01	16	21	1	
1155-2518-01	19	03	1		4011-2008-01	08	42	1		4030-0764-01	04	01	1		4030-2016-01	07	18	1	
1155-6216-01	22	08	1		4011-2009-01	08	14	1		4030-0765-01	04	01	1		4030-2017-01	06	01	1	
1156-7501-01	02	35	1		4011-2010-01	08	39	1		4030-0766-01	04	01	1		4030-2018-01	06	03	1	
1164-2007-12	08	40	1		4011-2024-01	16	19	1		4030-0767-00	14	57	1		4030-2019-01	08	23	1	
1164-2021-02	08	17	1		4011-2031-01	22	37	1		4030-0768-01	04	01	1		4030-2021-02	16	20	1	
1164-2026-01	08	15	1		4011-2032-01	22	37	1		4030-0771-01	04	01	1		4030-2022-01	16	04	1	
1164-2027-02	08	13	1		4011-2034-02	06	18	1		4030-0901-01	22	44	1		4030-2023-01	16	03	1	
1164-2028-01	08	16	1		4011-2035-01	08	33	1		4030-1001-03	02	28	1		4030-2024-02	16	06	1	
1164-2050-01	14	21	1		4011-2037-01	07	13	1		4030-1002-02	02	18	1		4030-2025-01	16	14	1	
1164-2051-01	07	11	1		4011-2047-01	08	21	1		4030-1003-03	02	17	1		4030-2026-03	07	01	1	
1164-2084-01	08	18	1		4011-2101-02	06	15	1		4030-1004-04	02	29	1		4030-2029-02	07	05	1	
1164-2155-01	07	02	1		4011-2103-01	06	25	1		4030-1005-02	02	20	1		4030-2033-01	16	07	1	
1164-2301-02	08	05	1		4011-2104-01	06	21	1		4030-1006-03	02	09	1		4030-2034-01	06	06	1	
1164-2302-02	08	07	1		4011-2134-01	08	25	3		4030-1007-03	02	15	1		4030-2035-01	06	07	1	
1164-2306-02	08	01	1		4011-2148-01	22	26	1		4030-1009-03	02	06	1		4030-2036-01	06	17	1	
1164-2308-02	08	03	1		4011-3012-01	18	28	2		4030-1010-01	02	07	1		4030-2037-01	07	10	1	
1164-2310-01	08	10	1		4011-3020-01	17	11	2		4030-1011-02	02	10	1		4030-2038-02	07	30	2	
1164-2316-01	08	08	1		4011-3508-01	16	23	1		4030-1012-03	02	11	1		4030-2039-02	22	34	1	
1164-3020-03	18	27	2		4011-3509-01	17	17	1		4030-1013-01	02	08	2		4030-2040-01	06	26	1	
1164-3065-01	21	27	1		4011-3510-01	17	15	1		4030-1014-03	02	04	1		4030-2041-02	07	07	1	
1164-3508-01	17	20	1		4011-3511-01	08	06	1		4030-1015-04	02	03	1		4030-2042-02	07	23	1	
1164-3513-01	17	07	2		4011-3512-01	17	09	1		4030-1016-03	02	33	1		4030-2043-01	14	20	1	
1164-3514-02	17	18	1		4011-3515-01	16	05	2		4030-1017-02	02	38	1		4030-2044-02	14	11	1	
1164-3515-01	17	19	1		4011-4217-01	17	23	1		4030-1018-03	02	25	1		4030-2045-01	14	11	1	
1164-3527-02	17	24	1		4011-5338-01	14	53	1		4030-1019-01	14	10	1		4030-2045-01	25	51	1	
1164-3529-01	17	26	1		4011-5339-01	14	29	1		4030-1020-03	02	01	1		4030-2046-01	14	19	1	
1164-3549-01	17	08	4		4011-5758-02	20	08	2		4030-1021-02	22	48	1		4030-2047-01	14	12	1	
1164-4202-04	17	14	1		4011-5762-01	20	26	2		4030-1022-01	02	14	1		4030-2049-01	06	11	2	
1164-4206-02	17	03	2		4011-5788-01	26	10	3		4030-1023-02	02	16	1		4030-2050-02	14	22	1	
1164-4209-02	17	01	2		4011-5852-02	24	16	6		4030-1025-02	02	34	1		4030-2051-02	14	13	1	
1164-4218-01	17	21	1		4011-5925-02	06	10	2		4030-1027-02	02	02	1		4030-2052-02	16	15	2	
1164-4219-02	16	18	1		4012-3524-01	16	17	1		4030-1030-02	02	12	1		4030-2053-01	26	17	1	
1165-0756-01	17	29	1		4021-7310-01	16	13	1		4030-1033-01	16	02	1		4030-2054-01	26	18	1	
1165-2040-02	08	12	1		4021-7310-01	20	01	2		4030-1034-02	02	36	1		4030-2055-01	14	17	1	
1165-2091-01	06	20	1		4021-7337-01	02	37	1		4030-1040-02	02	23	1		4030-2060-02	22	40	1	
1165-2142-01	08	19	1		4028-7400-01	02	22	1		4030-1041-01	02	13	1		4030-2062-01	07	17	2	
1165-2153-01	08	22	1		4030-0151-01	09	43	1		4030-1051-01	03	15	1		4030-2079-01	07	08	1	

PART NO.	FIG.	INDEX	QTY		PART NO.	FIG.	INDEX	QTY		PART NO.	FIG.	INDEX	QTY		PART NO.	FIG.	INDEX	QTY	
4030-2080-01	07	09	2		4030-3005-01	09	36	2		4030-3085-01	09	28	1		4030-3425-01	12	49	1	
4030-2081-01	07	26	1		4030-3005-01	10	22	2		4030-3086-01	09	12	1		4030-3426-01	13	15	1	
4030-2102-01	08	26	1		4030-3008-01	09	37	1		4030-3087-01	09	13	1		4030-3427-01	12	36	1	
4030-2103-01	22	33	1		4030-3008-01	10	26	1		4030-3088-01	09	29	2		4030-3428-01	12	44	2	
4030-2106-01	22	05	1		4030-3010-01	10	12	1		4030-3101-01	09	06	1		4030-3429-02	12	18	1	
4030-2107-01	22	22	1		4030-3011-01	09	23	1		4030-3103-02	09	04	1		4030-3430-01	12	17	2	
4030-2108-01	22	24	1		4030-3011-01	10	16	1		4030-3104-01	09	03	1		4030-3432-04	12	10	1	
4030-2109-01	06	23	1		4030-3012-01	09	19	1		4030-3105-01	11	24	1		4030-3434-01	12	14	1	
4030-2110-01	22	16	1		4030-3012-01	10	14	1		4030-3107-01	11	27	1		4030-3435-01	13	28	1	
4030-2111-03	22	14	1		4030-3013-01	09	45	1		4030-3108-01	09	01	2		4030-3436-01	13	18	1	
4030-2112-01	08	31	1		4030-3013-01	11	04	1		4030-3111-02	11	08	1		4030-3437-01	13	26	1	
4030-2113-01	08	30	1		4030-3014-01	09	46	1		4030-3112-02	10	36	1		4030-3438-01	12	04	1	
4030-2114-01	08	27	1		4030-3014-01	11	02	1		4030-3114-02	11	19	1		4030-3441-01	12	33	1	
4030-2115-01	08	29	1		4030-3016-01	09	15	1		4030-3115-01	11	15	1		4030-3442-02	12	01	1	
4030-2116-01	07	12	1		4030-3016-01	10	37	1		4030-3116-01	11	17	1		4030-3443-02	12	53	1	
4030-2117-01	08	36	1		4030-3017-02	09	48	1		4030-3117-02	11	14	1		4030-3444-01	12	07	1	
4030-2118-01	08	09	1		4030-3017-02	11	03	1		4030-3121-01	11	13	1		4030-3445-01	12	06	1	
4030-2119-01	06	04	1		4030-3018-01	10	31	1		4030-3122-01	11	12	4		4030-3446-01	13	02	4	
4030-2119-01	22	17	1		4030-3019-02	10	32	1		4030-3123-01	11	10	2		4030-3447-01	12	11	1	
4030-2122-01	22	42	1		4030-3020-01	09	20	2		4030-3124-03	11	23	1		4030-3448-01	12	48	1	
4030-2123-01	08	35	1		4030-3020-01	10	13	2		4030-3125-01	09	05	2		4030-3455-02	13	31	1	
4030-2125-01	22	27	1		4030-3021-01	10	01	1		4030-3125-01	11	22	2		4030-3456-01	12	50	1	
4030-2126-01	22	27	1		4030-3022-01	10	17	1		4030-3128-01	10	35	1		4030-3457-03	12	45	2	
4030-2127-02	22	27	1		4030-3023-03	09	30	1		4030-3129-03	11	21	1		4030-3459-02	13	17	1	
4030-2131-02	22	29	1		4030-3023-03	10	18	1		4030-3130-02	11	09	1		4030-3460-02	13	22	1	
4030-2133-01	22	31	1		4030-3025-02	09	35	1		4030-3134-03	11	11	1		4030-3461-01	13	07	1	
4030-2135-01	22	07	1		4030-3025-02	11	20	1		4030-3135-01	11	18	1		4030-3463-01	13	21	1	
4030-2150-01	22	25	1		4030-3026-02	09	09	1		4030-3201-03	23	18	2		4030-3464-01	12	08	1	
4030-2159-02	22	10	1		4030-3027-02	09	10	1		4030-3202-02	23	24	2		4030-3465-01	12	05	1	
4030-2160-02	22	11	1		4030-3030-01	09	21	1		4030-3203-01	23	09	2		4030-3466-02	13	08	1	
4030-2161-01	22	13	2		4030-3030-01	10	24	1		4030-3205-01	23	11	2		4030-3467-01	12	30	1	
4030-2162-01	07	15	1		4030-3031-01	10	38	1		4030-3206-01	23	10	2		4030-3472-01	13	16	1	
4030-2304-01	22	43	1		4030-3032-03	09	02	1		4030-3207-01	23	13	2		4030-3473-02	13	25	1	
4030-2305-01	22	39	1		4030-3034-01	09	34	2		4030-3208-02	18	37	2		4030-3474-01	12	39	1	
4030-2306-02	22	03	1		4030-3034-01	10	29	2		4030-3211-02	23	01	2		4030-3475-01	12	38	1	
4030-2307-01	22	01	1		4030-3036-01	09	32	2		4030-3212-01	23	08	2		4030-3476-01	12	57	2	
4030-2311-01	02	32	1		4030-3036-01	10	19	2		4030-3213-01	23	16	2		4030-3477-01	12	58	2	
4030-2312-01	22	09	1		4030-3037-01	09	11	1		4030-3214-01	23	04	2		4030-3478-01	12	28	1	
4030-2313-01	22	46	1		4030-3037-01	11	25	1		4030-3215-01	23	05	2		4030-3479-01	12	19	1	
4030-2314-01	22	49	1		4030-3039-01	09	47	1		4030-3216-01	23	21	2		4030-3480-01	13	27	1	
4030-2315-01	22	47	1		4030-3039-01	11	01	1		4030-3217-01	23	34	2		4030-3481-01	12	47	2	
4030-2316-01	22	50	1		4030-3041-02	09	41	1		4030-3218-01	23	22	2		4030-3486-01	13	11	1	
4030-2505-01	18	11	1		4030-3042-02	10	34	1		4030-3221-01	23	30	2		4030-3487-01	13	12	1	
4030-2506-01	18	10	1		4030-3044-01	09	07	1		4030-3222-01	23	37	2		4030-3489-01	12	59	1	
4030-2510-01	18	12	1		4030-3046-03	18	34	2		4030-3223-02	23	17	2		4030-3490-01	12	60	1	
4030-2511-01	18	13	1		4030-3047-02	18	39	2		4030-3224-01	18	47	4		4030-3491-01	12	61	2	
4030-2512-01	18	14	1		4030-3048-02	18	36	2		4030-3224-01	23	29	2		4030-3501-04	17	05	1	
4030-2514-01	18	09	1		4030-3049-01	18	35	2		4030-3225-01	23	25	2		4030-3502-03	16	01	1	
4030-2515-01	18	07	1		4030-3051-01	19	01	1		4030-3226-01	23	32	2		4030-3503-01	16	25	1	
4030-2516-01	18	08	1		4030-3052-01	19	36	1		4030-3227-01	23	15	2		4030-3504-01	17	04	1	
4030-2517-01	18	21	1		4030-3053-01	19	39	2		4030-3228-01	23	14	2		4030-3505-01	17	13	2	
4030-2518-01	18	22	1		4030-3054-01	19	38	1		4030-3229-02	23	41	2		4030-3517-01	16	10	1	
4030-2523-01	18	24	1		4030-3055-01	19	37	2		4030-3401-13	12	35	1		4030-3518-01	16	11	2	
4030-2524-01	18	25	1		4030-3057-01	19	43	1		4030-3402-01	12	40	1		4030-3519-01	22	35	1	
4030-2525-01	18	23	1		4030-3059-01	19	41	1		4030-3403-01	12	41	1		4030-3520-01	16	12	4	
4030-2526-01	18	19	1		4030-3060-01	19	04	1		4030-3404-01	12	37	1		4030-3521-01	16	08	1	
4030-2530-01	18	06	1		4030-3063-01	10	04	1		4030-3408-03	13	29	1		4030-3522-01	22	02	1	
4030-2531-01	18	43	1		4030-3064-01	10	05	1		4030-3409-03	12	51	1		4030-3523-02	22	38	1	
4030-2535-01	18	20	1		4030-3067-01	19	44	1		4030-3410-03	13	09	1		4030-3524-01	22	36	1	
4030-2542-01	18	16	1		4030-3068-01	10	07	1		4030-3411-03	13	10	1		4030-3527-01	16	16	1	
4030-2544-01	18	03	1		4030-3069-01	10	06	1		4030-3412-01	13	20	1		4030-3701-02	25	45	1	
4030-2545-01	18	02	1		4030-3071-01	19	42	1		4030-3414-01	13	04	4		4030-3702-02	25	49	1	
4030-2546-01	18	04	1		4030-3077-01	09	44	1		4030-3415-01	13	03	4		4030-3703-01	25	37	1	
4030-2547-02	18	01	1		4030-3077-01	11	05	1		4030-3416-01	12	03	1		4030-3704-03	25	09	1	
4030-3001-03	09	16	1		4030-3078-01	09	49	1		4030-3417-01	12	16	2		4030-3705-01	25	42	1	
4030-3002-02	09	39	1		4030-3078-01	11	07	1		4030-3419-01	12	23	1		4030-3706-01	25	36	1	
4030-3002-02	10	27	1		4030-3079-01	09	42	1		4030-3420-01	12	24	1		4030-3707-01	25	04	1	
4030-3003-01	09	31	1		4030-3081-01	18	46	4		4030-3422-01	12	25	1		4030-3708-01	25	08	1	
4030-3003-01	10	20	1		4030-3083-01	18	45	2		4030-3423-03	13	06	1		4030-3709-01	25	43	1	
4030-3004-01	09	27	1		4030-3084-01	09	14	1		4030-3424-01	12	13	1		4030-3710-01	25	06	4	

PART NO.	FIG.	INDEX	QTY		PART NO.	FIG.	INDEX	QTY		PART NO.	FIG.	INDEX	QTY		PART NO.	FIG.	INDEX	QTY	
4030-3711-02	25	10	1		4030-5319-01	14	37	1		4030-5750-03	21	08	1		4030-6816-01	06	02	1	
4030-3713-01	25	18	1		4030-5324-01	19	16	1		4030-5751-01	21	20	1		4030-6817-01	21	10	1	
4030-3725-01	25	17	1		4030-5328-01	19	15	1		4030-5752-03	21	01	1		4030-6818-01	12	52	1	
4030-3726-01	25	16	1		4030-5329-02	19	27	1		4030-5753-01	21	11	1		4030-6819-03	06	13	1	
4030-3729-01	25	21	1		4030-5330-01	19	35	1		4030-5801-03	20	10	1		4030-6822-03	07	19	1	
4030-3733-03	25	19	1		4030-5331-01	19	34	1		4030-5802-01	20	09	1		4030-6823-02	25	31	1	
4030-3734-01	25	25	1		4030-5334-01	19	14	1		4030-5803-01	21	38	1		4030-6824-01	24	12	1	
4030-3735-01	25	47	1		4030-5355-02	19	32	1		4030-5805-03	21	03	6		4030-6842-01	08	28	1	
4030-3736-01	25	22	1		4030-5360-01	14	27	1		4030-5806-01	21	24	2		4030-6843-01	07	03	1	
4030-3737-01	25	34	1		4030-5361-02	14	36	1		4030-5807-01	21	05	4		4030-6844-01	08	32	1	
4030-3738-03	25	35	1		4030-5364-01	14	31	1		4030-5808-02	21	15	1		4030-6851-02	22	30	1	
4030-3739-01	25	33	1		4030-5365-01	14	33	1		4030-5809-02	21	06	1		4030-6852-02	22	30	1	
4030-3740-01	25	39	1		4030-5367-01	19	30	1		4030-5810-02	21	07	1		4030-6853-02	08	34	1	
4030-3741-03	25	40	1		4030-5368-02	19	11	1		4030-5811-01	21	34	1		4030-6854-02	08	11	1	
4030-3742-01	25	38	1		4030-5369-02	19	09	1		4030-5812-01	20	12	1		4030-7301-02	23	26	2	
4030-3743-02	25	27	1		4030-5370-01	19	24	1		4030-5813-01	21	32	1		4030-7302-02	23	27	1	
4030-3744-01	25	28	1		4030-5371-01	19	25	1		4030-5814-01	20	21	1		4030-7303-02	23	28	1	
4030-3745-01	25	29	1		4030-5372-01	19	08	1		4030-5815-01	20	22	1		4030-7304-02	23	23	2	
4030-3746-01	25	23	1		4030-5373-01	19	10	1		4030-5816-01	20	15	1		4030-7305-01	13	30	1	
4030-3747-01	25	13	1		4030-5374-01	19	33	1		4030-5817-02	20	14	1		4030-7306-02	13	14	1	
4030-3748-01	25	14	2		4030-5376-01	19	23	1		4030-5820-03	20	18	1		4030-7307-02	13	14	1	
4030-3749-01	25	12	5		4030-5377-01	19	17	1		4030-5821-02	20	19	1		4030-7308-02	13	14	1	
4030-3750-01	25	30	1		4030-5378-01	14	24	1		4030-5822-03	20	13	1		4030-7309-02	13	30	1	
4030-3751-02	25	01	1		4030-5379-01	14	23	1		4030-5823-01	21	16	1		4030-7310-01	01	25	1	
4030-3752-01	25	24	1		4030-5380-01	14	06	1		4030-5825-02	21	35	1		4030-7312-01	01	25	1	
4030-3753-01	25	46	1		4030-5381-02	14	42	1		4030-5827-01	20	02	2		4030-7313-01	02	26	1	
4030-3754-01	12	02	1		4030-5382-01	14	05	1		4030-5827-01	21	02	2		4030-7314-02	02	31	1	
4030-3754-01	25	02	1		4030-5383-02	14	40	1		4030-5830-01	20	25	1		4030-7315-01	07	32	1	
4030-3755-01	25	50	2		4030-5384-01	14	41	1		4030-5832-02	20	50	1		4030-7316-01	08	20	1	
4030-3801-02	24	20	1		4030-5385-02	14	38	1		4030-5834-01	21	36	1		4030-7316-01	18	44	1	
4030-3802-01	24	03	1		4030-5386-01	14	39	1		4030-5836-01	21	17	1		4030-7327-01	02	21	1	
4030-3803-02	24	08	1		4030-5387-02	14	08	1		4030-5838-01	20	55	1		4030-7328-02	01	05	1	
4030-3804-02	24	38	1		4030-5388-01	14	07	1		4030-5839-03	21	14	1		4030-7329-01	01	18	1	
4030-3805-02	24	23	1		4030-5389-01	14	45	1		4030-5840-02	20	11	1		4030-7340-01	21	37	1	
4030-3806-02	24	33	1		4030-5390-01	14	43	1		4030-5841-01	21	39	1		4030-7341-01	20	53	1	
4030-3807-03	24	27	1		4030-5391-01	14	47	1		4030-5842-01	20	46	1		4030-7342-01	24	49	1	
4030-3808-01	24	26	1		4030-5392-01	14	46	1		4030-5843-02	21	26	2		4030-7851-01	06	28	1	
4030-3809-01	24	44	1		4030-5393-01	14	01	1		4030-5844-02	21	18	2		4030-7852-01	06	29	1	
4030-3810-01	24	46	1		4030-5394-01	14	02	1		4030-5845-02	21	19	1		4030-7853-01	06	30	1	
4030-3811-01	24	40	1		4030-5395-01	14	44	1		4030-5847-01	21	33	1		4030-7854-01	06	28	1	
4030-3812-01	24	37	1		4030-5396-01	14	14	1		4030-5848-01	21	29	1		4031-0110-02	22	12	1	
4030-3813-01	24	36	1		4030-5397-01	02	30	1		4030-5850-01	20	49	1		4031-7334-01	02	24	1	
4030-3814-01	24	35	1		4030-5398-01	14	49	1		4030-5851-01	20	54	1		4032-0751-00	06	16	1	
4030-3815-01	24	05	1		4030-5701-03	20	05	1		4030-5852-01	20	03	1		4032-7318-01	02	21	1	
4030-3817-01	24	21	4		4030-5702-02	20	04	1		4030-5853-01	26	11	4		4032-7319-01	02	21	1	
4030-3818-02	24	29	1		4030-5703-02	20	24	1		4030-5854-01	21	22	2		4032-7320-01	03	02	1	
4030-3819-01	24	28	1		4030-5705-01	20	39	1		4030-5855-01	21	25	2		4032-7321-01	03	02	1	
4030-3820-01	24	07	1		4030-5706-02	20	36	1		4030-5856-01	21	04	6		4032-7335-01	02	24	1	
4030-3821-01	24	18	1		4030-5708-01	20	45	1		4030-5857-01	21	28	2		4032-7336-01	02	24	1	
4030-3823-01	24	17	1		4030-5710-03	20	38	1		4030-5858-01	21	23	2		4109-2003-01	08	37	1	
4030-3824-01	24	43	1		4030-5711-01	20	41	1		4030-6051-02	03	01	1		4109-2003-01	14	48	1	
4030-3825-02	24	39	1		4030-5712-02	20	07	2		4030-6052-02	03	01	1		4109-2003-01	20	51	2	
4030-3826-01	24	19	1		4030-5713-02	20	37	1		4030-6053-03	03	01	1		4111-2531-01	08	41	1	
4030-3829-01	24	41	1		4030-5714-01	20	47	1		4030-6054-03	03	01	1		4120-1014-02	02	27	1	
4030-3830-01	24	25	1		4030-5715-01	21	30	1		4030-6055-03	03	01	1		4128-1978-01	06	09	3	
4030-3833-01	24	15	1		4030-5716-02	21	13	5		4030-6056-03	03	01	1		4128-1979-01	06	08	3	
4030-3834-01	24	04	1		4030-5717-01	21	12	5		4030-6061-01	03	01	1		4128-3823-01	23	35	2	
4030-3835-01	24	02	1		4030-5721-02	21	21	1		4030-6203-02	06	27	1		4131-0902-01	09	18	2	
4030-3836-01	24	01	1		4030-5726-03	20	44	1		4030-6757-01	06	05	1		4131-0902-01	10	15	4	
4030-3837-01	24	32	1		4030-5727-02	20	20	1		4030-6757-01	22	06	2		4131-0902-01	12	20	2	
4030-3838-02	24	31	2		4030-5728-01	20	29	1		4030-6804-01	04	18	1		4131-0902-01	13	01	4	
4030-3839-01	24	30	1		4030-5729-01	20	28	1		4030-6807-02	06	12	1		4131-0902-01	17	27	1	
4030-4207-01	17	02	2		4030-5730-01	20	30	1		4030-6808-02	22	04	1		4131-0902-01	18	31	8	
4030-4213-02	17	16	1		4030-5732-01	20	06	1		4030-6809-01	17	06	1		4131-0902-01	21	09	1	
4030-4220-01	17	22	1		4030-5733-02	20	32	1		4030-6810-02	18	33	1		4131-0902-01	22	41	1	
4030-5203-02	15	02	1		4030-5739-01	20	31	1		4030-6811-01	09	40	1		4131-0902-01	24	22	1	
4030-5204-01	15	01	1		4030-5740-02	20	40	1		4030-6812-02	10	30	1		4131-0902-01	25	32	3	
4030-5313-01	14	56	1		4030-5741-02	20	23	1		4030-6813-02	18	17	1		4131-3001-01	12	46	1	
4030-5314-01	14	05	1		4030-5743-01	20	34	2		4030-6814-03	13	19	1		4131-3003-01	09	17	5	
4030-5315-01	14	06	1		4030-5749-01	20	43	1		4030-6815-01	22	18	1		4131-3003-01	10	09	5	



MINOLTA

Copyright

2003 MINOLTA Co., Ltd.

Printed in Japan

Use of this catalog should be strictly supervised to avoid disclosure
of confidential information.

MINOLTA Co., Ltd.

4032-7994-21 03090000