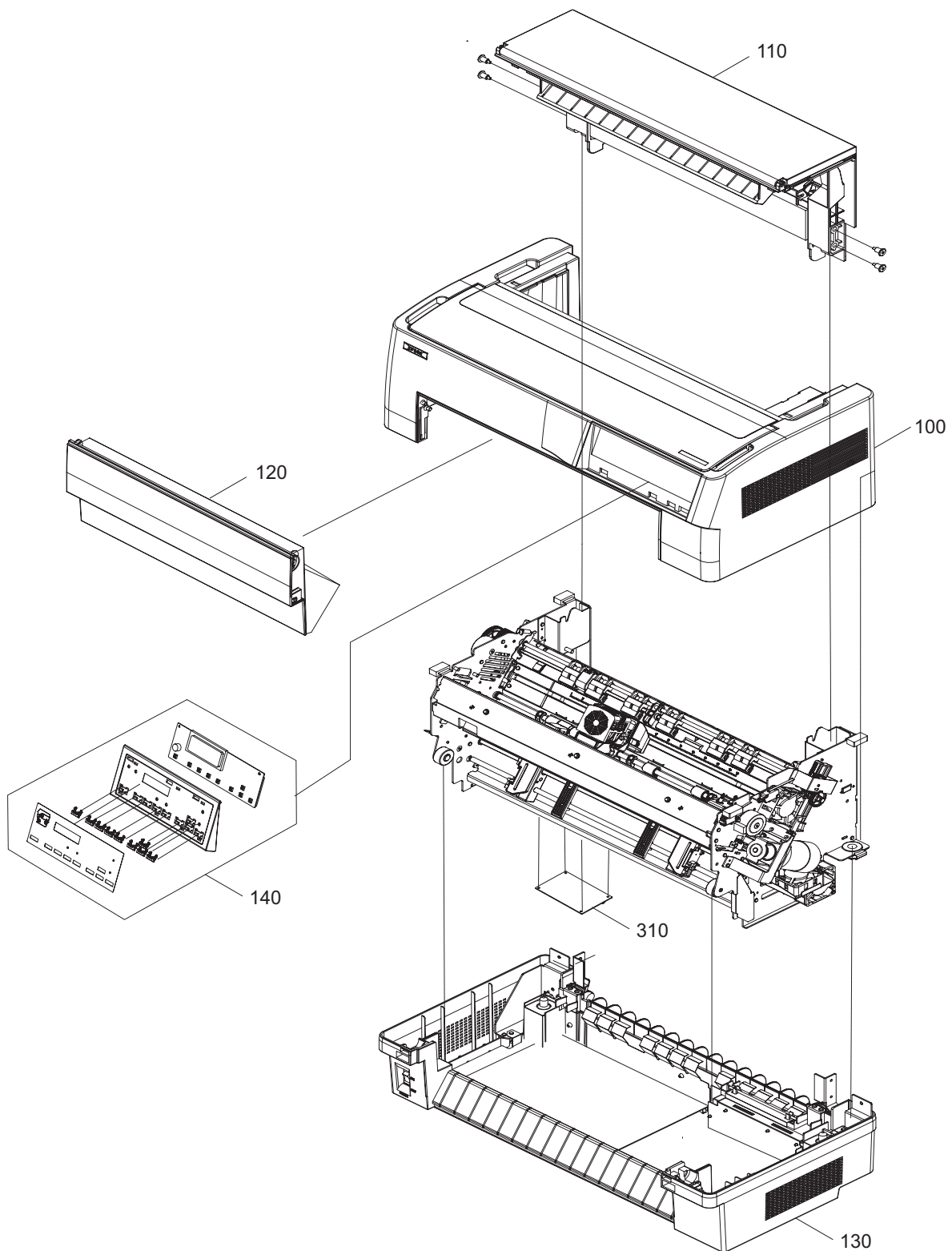
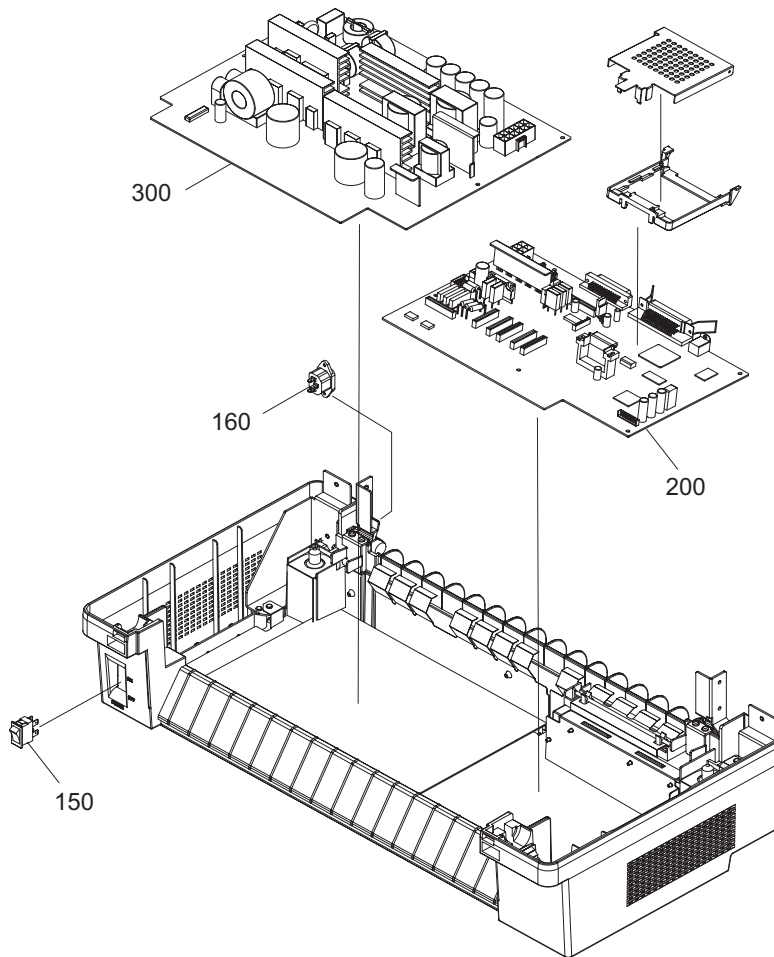


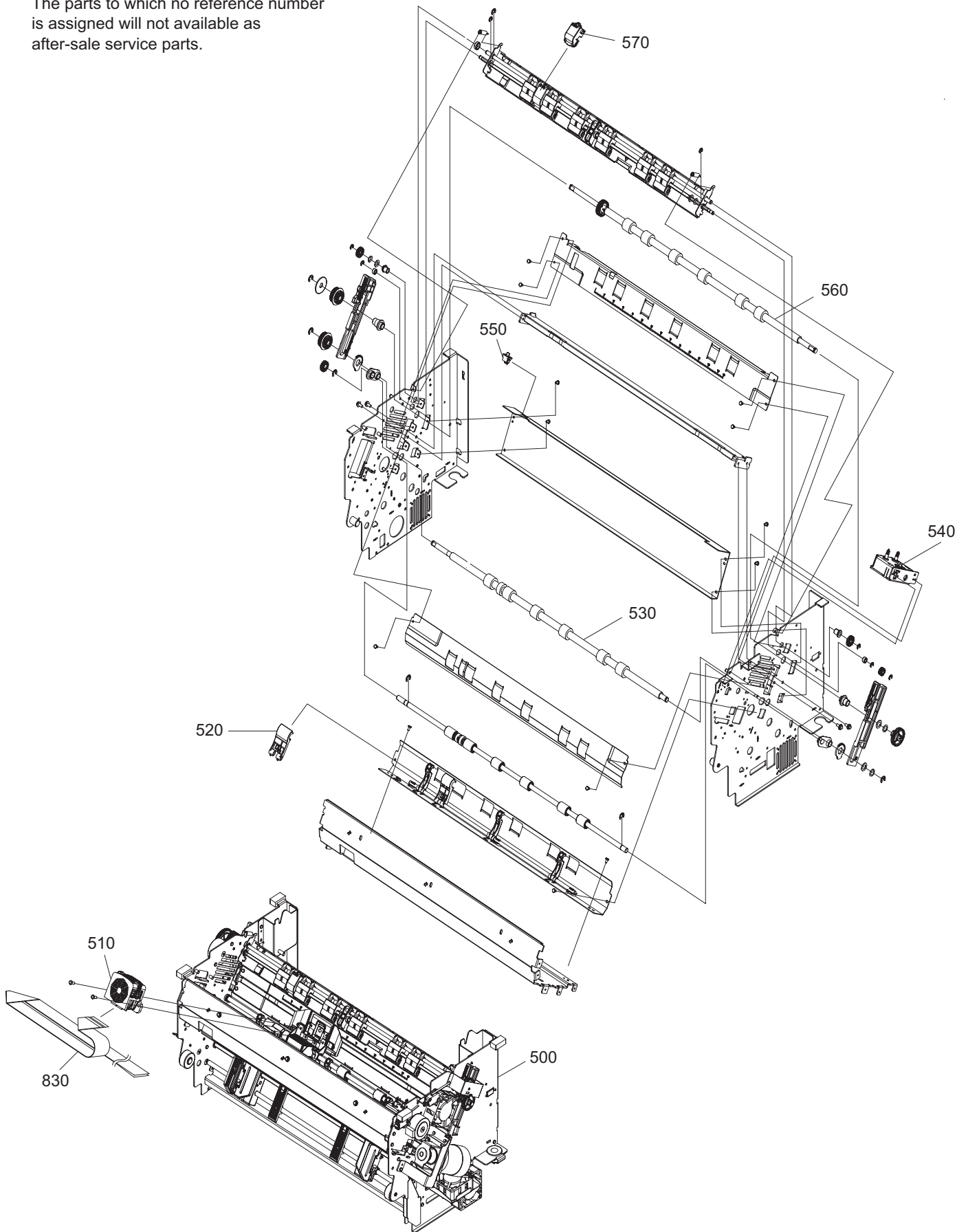
The parts to which no reference number is assigned will not be available as after-sale service parts.



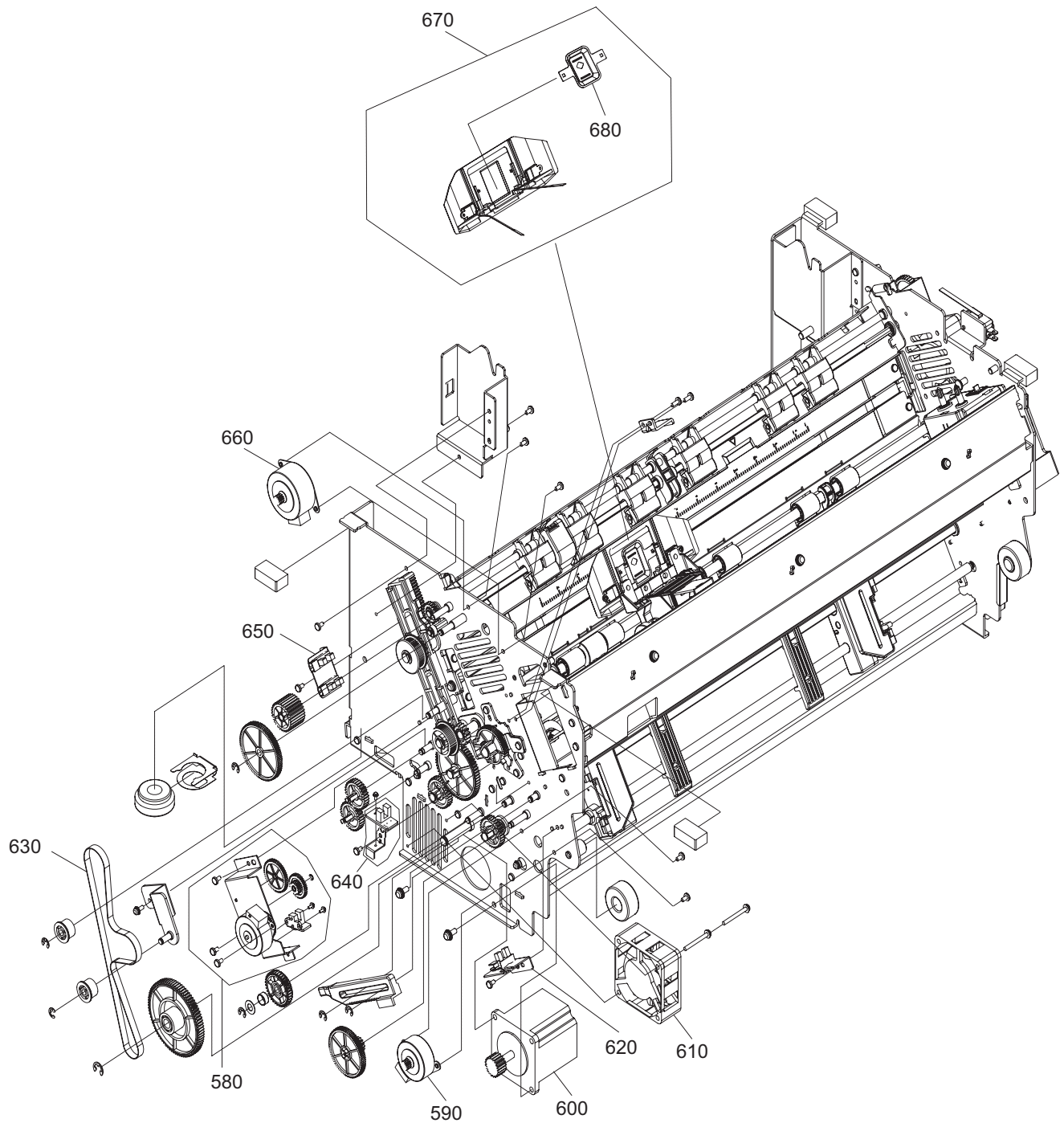


The parts to which no reference number is assigned will not be available as after-sale service parts.

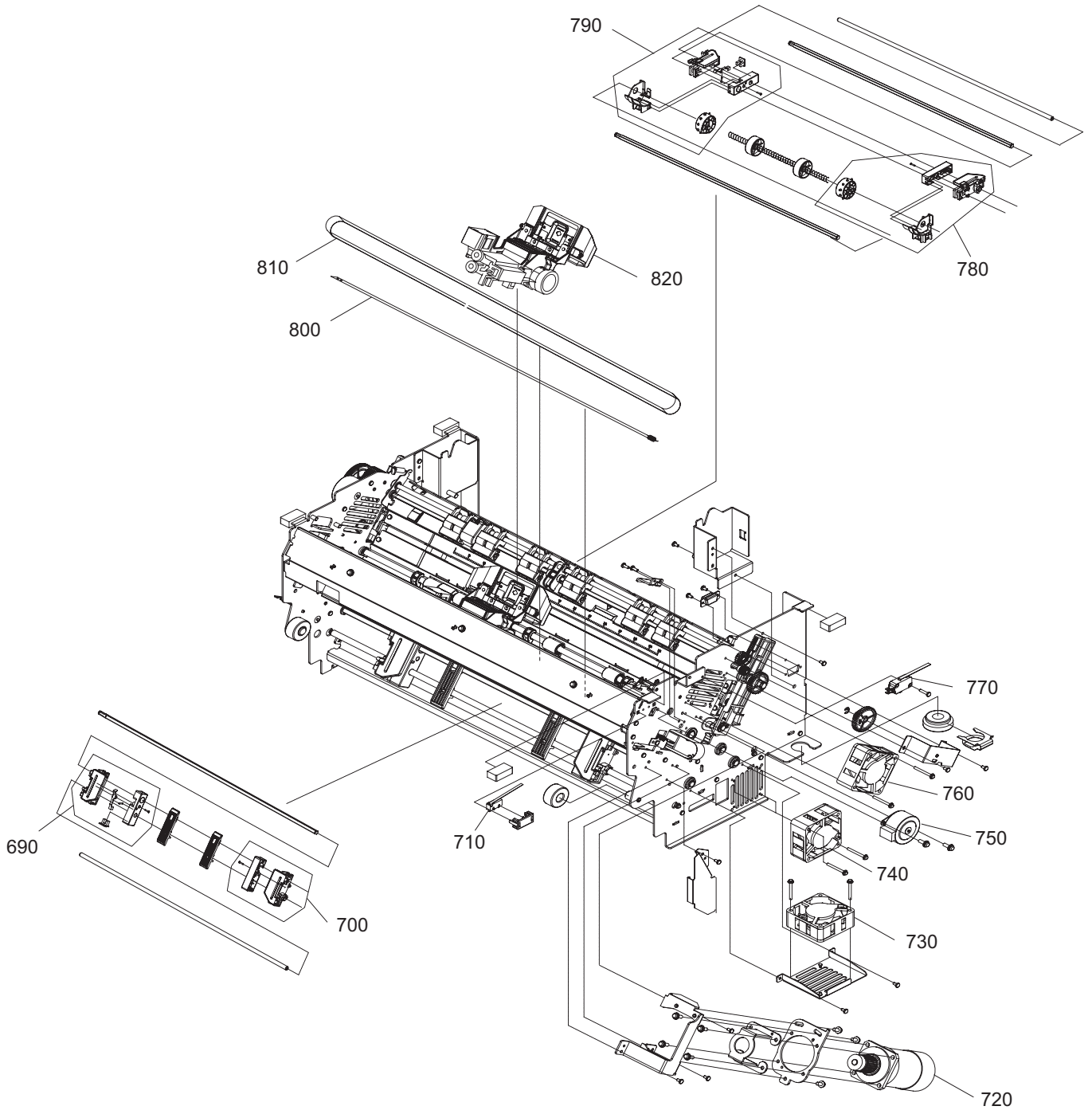
The parts to which no reference number is assigned will not be available as after-sale service parts.



The parts to which no reference number is assigned will not be available as after-sale service parts.



The parts to which no reference number is assigned will not be available as after-sale service parts.



Part Code	Part Name	Ref No.	Category	Qty	Remark
<a href="#">2104357</a>	AC CODE	<a href="#">NON FIG</a>	Accessories	1	
<a href="#">1408120</a>	UPPER UNIT	<a href="#">100</a>	Case	1	
<a href="#">1408121</a>	REAR UNIT	<a href="#">110</a>	Case	1	
<a href="#">1408122</a>	FRONT COVER ASY	<a href="#">120</a>	Case	1	
<a href="#">1408119</a>	LOWER UNIT	<a href="#">130</a>	Case	1	
<a href="#">2104304</a>	AC SW ASY	<a href="#">150</a>	Case	1	
<a href="#">2104305</a>	INLET ASY	<a href="#">160</a>	Case	1	
<a href="#">2103153</a>	OP UNIT	<a href="#">140</a>	Mechanism Parts	1	
<a href="#">2103150</a>	ROM BOARD	<a href="#">200</a>	Mechanism Parts	1	
<a href="#">2103152</a>	POWER UNIT	<a href="#">300</a>	Mechanism Parts	1	
<a href="#">2103158</a>	SENSOR BOARD UNIT	<a href="#">310</a>	Mechanism Parts	1	
<a href="#">2103149</a>	PR MECHA ASY	<a href="#">500</a>	Mechanism Parts	1	
<a href="#">F105000</a>	PRINT HEAD	<a href="#">510</a>	Mechanism Parts	1	
<a href="#">1410880</a>	PJS HOLDER ASY	<a href="#">520</a>	Mechanism Parts	1	
<a href="#">1410878</a>	DV ROLLER F ASY	<a href="#">530</a>	Mechanism Parts	1	
<a href="#">1410868</a>	RF UNIT	<a href="#">540</a>	Mechanism Parts	1	
<a href="#">2104308</a>	PTRM SWITH ASY	<a href="#">550</a>	Mechanism Parts	1	
<a href="#">1410872</a>	DV ROLLER R UNIT	<a href="#">560</a>	Mechanism Parts	1	
<a href="#">1410881</a>	TPE HOLDER ASY	<a href="#">570</a>	Mechanism Parts	1	
<a href="#">1410871</a>	APTC UNIT	<a href="#">580</a>	Mechanism Parts	1	
<a href="#">2103155</a>	HCPP MOTOR	<a href="#">590</a>	Mechanism Parts	1	
<a href="#">2103154</a>	LF MOTOR	<a href="#">600</a>	Mechanism Parts	1	
<a href="#">2104295</a>	FAN1 MOTOR	<a href="#">610</a>	Mechanism Parts	1	
<a href="#">2104300</a>	HCPP SENSOR UNIT	<a href="#">620</a>	Mechanism Parts	1	
<a href="#">1408116</a>	LF BELT	<a href="#">630</a>	Mechanism Parts	1	
<a href="#">1410870</a>	APTC HP UNIT	<a href="#">640</a>	Mechanism Parts	1	
<a href="#">1408118</a>	OC SENSOR BR UNIT	<a href="#">650</a>	Mechanism Parts	1	
<a href="#">2103156</a>	OC MOTOR	<a href="#">660</a>	Mechanism Parts	1	
<a href="#">1408117</a>	CARD GUIDE ASY	<a href="#">670</a>	Mechanism Parts	1	
<a href="#">1413998</a>	MASK	<a href="#">680</a>	Mechanism Parts	1	
<a href="#">1410873</a>	TRACTOR FL UNIT	<a href="#">690</a>	Mechanism Parts	1	
<a href="#">1410874</a>	TRACTOR FR UNIT	<a href="#">700</a>	Mechanism Parts	1	
<a href="#">2104307</a>	CO SW ASY	<a href="#">710</a>	Mechanism Parts	1	
<a href="#">2103162</a>	SP MOTOR ASY	<a href="#">720</a>	Mechanism Parts	1	
<a href="#">2104297</a>	FAN3 MOTOR	<a href="#">730</a>	Mechanism Parts	1	
<a href="#">2104296</a>	FAN2 MOTOR	<a href="#">740</a>	Mechanism Parts	1	
<a href="#">2103157</a>	RF MOTOR	<a href="#">750</a>	Mechanism Parts	1	
<a href="#">2104298</a>	FAN4 MOTOR	<a href="#">760</a>	Mechanism Parts	1	
<a href="#">2103161</a>	INLK SW ASY	<a href="#">770</a>	Mechanism Parts	1	
<a href="#">1410876</a>	TRACTOR RR UNIT	<a href="#">780</a>	Mechanism Parts	1	
<a href="#">1410875</a>	TRACTOR RL UNIT	<a href="#">790</a>	Mechanism Parts	1	
<a href="#">1408115</a>	CES SCALE	<a href="#">800</a>	Mechanism Parts	1	
<a href="#">1408114</a>	SP BELT	<a href="#">810</a>	Mechanism Parts	1	
<a href="#">1410869</a>	CARRIER UNIT	<a href="#">820</a>	Mechanism Parts	1	
<a href="#">2103160</a>	CARRIER CABLE UNIT	<a href="#">830</a>	Mechanism Parts	1	
<a href="#">2104303</a>	PSU1 CABLE ASY	<a href="#">NON FIG</a>	Mechanism Parts	1	
<a href="#">2104306</a>	OP CABLE	<a href="#">NON FIG</a>	Mechanism Parts	1	

Part Code	Part Name	Ref No.	Category	Qty	Remark
-----------	-----------	---------	----------	-----	--------