



### Electrical/Electronic

#### Cable

- 1 C7790-60204 Front panel cable - Connects the front panel to the main logic PC board
- 2 C7791-60213 Motor harness - Connects to the carriage motor
- 3 C7791-60214 Encoder harness
- 4 C7791-60231 Duplexer OOP sensor harness

#### Front Panel

- 5 C7791-60141 Front panel assembly

#### Sensor

- 6 C7790-60119 Door sensor assembly - Senses when the access door is opened or closed

### Electronic Accessories

#### Interface (Product)

- J6057A JetDirect 615N internal print server (10Base-T and 100Base-TX) LAN interface board - Plugs into peripheral EIO slot - Has a RJ-45 connector - Comes with software on CD-ROM and manual
- J6057AR JetDirect 615N internal print server (10Base-T and 100Base-TX) LAN interface board - Plugs into peripheral EIO slot - Has a RJ-45 connector - Comes with software on CD-ROM and manual

### Electronics/Power Supply

#### PC Board

- 9 C7796-60016 Main logic PC board module - PC board is housed inside this metal chassis

#### Power Cord

- 8120-6798 Power cord (Flint Gray) - 18 AWG, 2.3m (7.5ft) long - Has straight (F) receptacle (For 100V in Japan)
- 8120-6810 Power cord (Flint Gray) - 2.3m (7.5ft) long - Has straight (F) receptacle (For 240V operation in Australia, New Zealand)
- 8120-6811 Power cord (Flint Gray) - 17 AWG, 2.3m (7.5ft) long - Has straight (F) receptacle (For 220V in Europe, Saudi Arabia, South Africa, India, and Korea)
- 8120-6812 Power cord (Flint Gray) - 18 AWG, 2.3m (7.5ft) long - Has straight (F) receptacle (For 120V in the USA, Canada, Mexico, Philippines, and Taiwan)
- 8120-6813 Power cord (Flint Gray) - 17 AWG, 2.3m (7.5ft) long - Has straight (F) receptacle (For 220V in South Africa, Saudi Arabia, and India)
- 8120-6814 Power cord (Flint Gray) - 17 AWG, 2.3m (7.5ft) long - Has straight (F) receptacle (For 220V in Denmark)
- 8120-6815 Power cord (Flint Gray) - 17 AWG, 2.3m (7.5ft) long - Has straight (F) receptacle (For 220V in Switzerland)
- 8120-6869 Power cord (Flint Gray) - 2.3m (7.5ft) long, 3-wire - Has straight (F) receptacle (For 220V in Argentina)
- 8120-8705 Power cord (Mint Gray) - 17 AWG, 2.3m (7.5ft) long - Has straight (F) receptacle (For 240V in the UK, Hong Kong, Singapore, and Malaysia)
- 8120-8707 Power cord (Flint Gray) - 17 AWG, 2.3m (7.5ft) long - Has straight (F) receptacle (For 220V in China)
- 8120-8871 Power cord (Black) - 17 AWG, 2.3m (7.5ft) long - Has straight (F) receptacle (For 220V in Thailand, Cambodia, Vietnam, and the Philippines)

#### Power Supply

- 21 C7790-60091 Worldwide input power supply module - 100V - 240V, 68W 50/60Hz - Includes fan

### External Case Parts

#### Cover

- 22 C7791-60140 Back/center cover - Covers the back and center of the printer and is located under the access door
- C7791-60256 *New Part for C7791-60140*
- 23 C7796-60018 Left cover assembly - Houses the control panel
- 24 C7796-60019 Right cover assembly - Houses the ink supply station and service station

#### Door

- 25 C7791-60127 Rear cleanout door assembly - Used to remove paper jams
- 26 C7796-60015 Ink cartridge door - Provides access to the ink cartridges



### External Case Parts

#### Door

- 27 C7796-60020 Access door - Covers the top of the printer and provides access to the printheads and carriage
- 28 C7796-60021 Printhead door - Provides access to the printheads

### Other Accessories

#### Cartridge

- C4836AA No. 11 standard capacity Cyan ink cartridge (holds 28cc's of ink) - Prints approximately 1750 pages at 5% density per color (Asia/Pacific)
- C4836AE No. 11 standard capacity Cyan ink cartridge (holds 28cc's of ink) - Prints approximately 1750 pages at 5% density per color (Europe)
- C4836AL No. 11 standard capacity Cyan ink cartridge (holds 28cc's of ink) - Prints approximately 1750 pages at 5% density per color (Latin America)
- C4836AN No. 11 standard capacity Cyan ink cartridge (holds 28cc's of ink) - Prints approximately 1750 pages at 5% density per color (USA)
- C4837AA No. 11 standard capacity Magenta ink cartridge (holds 28cc's of ink) - Prints approximately 1750 pages at 5% density per color (Asia/Pacific)
- C4837AE No. 11 standard capacity Magenta ink cartridge (holds 28cc's of ink) - Prints approximately 1750 pages at 5% density per color (Europe)
- C4837AL No. 11 standard capacity Magenta ink cartridge (holds 28cc's of ink) - Prints approximately 1750 pages at 5% density per color (Latin America)
- C4837AN No. 11 standard capacity Magenta ink cartridge (holds 28cc's of ink) - Prints approximately 1750 pages at 5% density per color (USA)
- C4838AA No. 11 standard capacity Yellow ink cartridge (holds 28cc's of ink) - Prints approximately 1750 pages at 5% density per color (Asia/Pacific)
- C4838AE No. 11 standard capacity Yellow ink cartridge (holds 28cc's of ink) - Prints approximately 1750 pages at 5% density per color (Europe)
- C4838AL No. 11 standard capacity Yellow ink cartridge (holds 28cc's of ink) - Prints approximately 1750 pages at 5% density per color (Latin America)
- C4838AN No. 11 standard capacity Yellow ink cartridge (holds 28cc's of ink) - Prints approximately 1750 pages at 5% density per color (USA)
- C4844-60053 No. 10 High Capacity Black Ink Cartridge (Holds 69ml of Ink)
- C4844A No. 10 high capacity Black ink cartridge (holds 69ml of ink) - Prints approximately 1400 pages at 5% printing density (USA)
- C4844AA No.10 high capacity Black ink cartridge (holds 69ml of ink) - Prints approximately 1400 pages at 5% printing density (for Asia/Pacific)
- C4844AE No.10 high capacity Black ink cartridge (holds 69ml of ink) - Prints approximately 1400 pages at 5% printing density (for Europe)
- C4844AL No.10 high capacity Black ink cartridge (holds 69ml of ink) - Prints approximately 1400 pages at 5% printing density (for Latin America)

#### Hardware Kit

- Q1246-60013 Hardware kit - Contains various tools and screws to assemble the stand assembly

#### Printhead

- C4810-60066 No. 11 Black Ink Printhead
- C4810-60067 No.11 cyan ink printhead
- C4810A No. 11 Black ink printhead
- C4811A No. 11 Cyan ink printhead
- C4812-60005 No.11 magenta ink printhead
- C4812A No. 11 Magenta ink printhead
- C4813-60004 No.11 yellow ink printhead
- C4813A No. 11 Yellow ink printhead

**Other Internal Parts**
**Absorber**

- 55 C7790-60144 ISS rear absorber foam - Absorbs excess ink during the cleaning process - Larger of two
- 56 C8109-67022 ISS bottom absorber foam - Absorbs excess ink during the cleaning process - Smaller of two

**Filter**

- 57 C8109-67024 Filter Assembly - Located inside the right cover assembly

**Ink Supply Station**

- 58 C8109-67014 Ink Supply Station Assembly - Holds the ink cartridges and pumps ink out to the printheads

**PC Board**

- 59 C7791-60219 Cleanout interconnect PCA

**Sensor**

- 60 C7791-60229 OOPS sensor

**Service Station**

- 61 C8109-67015 Service station assembly - Includes the service station motor and wiper assembly  
*C8109-67029 New Part for C8109-67015*
- 62 C8109-67029 Service station assembly - Includes the service station motor and wiper assembly

**Spittoon**

- 63 C7791-60203 Ink spittoon - Holds any residual ink from the print cartridge cleaning process

**Support**

- 64 C8108-67042 Output mechanism support assembly

**Paper Tray Parts**
**Cam**

- 110 C8108-67050 Drawer and spring cam - Short, spring loaded lever attached to the paper tray frame - Used to draw input tray into position

**Tray**

- 111 C7791-60146 Paper input tray assembly - Holds paper supply for printer
- 112 C7796-60063 Output tray assembly

**Paper and Other Media**
**Film (Transparency)**

- C3835A Premium InkJet transparency film - A4 size (21.0cm x 29.7cm) - 50 sheets per package

**Paper (Coated)**

- Q1961A Coated Paper - Architectural C size (18 x 24-inches) - 100 sheets
- Q1962A Coated Paper - Architectural D size (24 x 36-inches) - 100 sheets

**Paper (Glossy)**

- C6817A Professional glossy InkJet brochure and flyer paper - Glossy on both sides - A size (8.5 x 11-inches) - 50 sheets per box
- C6818A Professional glossy InkJet brochure and flyer paper - A4 size (21.0cm x 29.7cm) - Glossy on both sides - 50 sheets per box
- C6820A Professional glossy InkJet brochure and flyer paper - Glossy on both sides - B size (11 x 17-inches) - 50 sheets per box
- C6821A Professional glossy InkJet brochure and flyer paper - A3 size (29.7cm x 42.0cm) - Glossy on both sides - 50 sheets per box
- Q1963A Proofing Gloss Paper - Architectural C size (18 x 24-inches) - 50 sheets
- Q1964A Proofing Gloss Paper - Architectural D size (24 x 36-inches) - 50 sheets
- Q1970A Glossy Proofing Paper - 33.0 cm (13in) x 48.3cm (19in)
- Q1987A Glossy brochure and flyer paper - A size (8.5 x 11-inches) - 150 sheets per package

### Paper and Other Media

#### Paper (InkJet Photo)

C6983A	Photo quality InkJet paper - With two sided semi-gloss finish - A size (8.5 x 11-inches) - 25 sheets per package
C6984A	Photo quality InkJet paper - A4 size (21.0cm x 29.7cm) - Has two sided semi-gloss finish - 25 sheets per package
C7006A	Photo quality InkJet paper - A4 size (21.0cm x 29.7cm) - Has two sided semi-gloss finish - 25 sheets per package
C7007A	Photo quality InkJet paper - With two sided matte finish - A size (8.5 x 11-inches) - 100 sheets per package

#### Paper (InkJet)

51634Y	InkJet non-glossy LX paper - A size (8.5 x 11-inches) - 200 sheets per package
51634Z	InkJet non-glossy LX paper - A4 size (21.0cm x 29.7cm) - 200 sheets per package
C1824A	Bright white InkJet paper - A size (8.5 x 11-inches) - 500 sheets per package
C1825A	Bright white InkJet paper - A4 size (21.0cm x 29.7cm) - 500 sheets per package
C1852A	Premium InkJet heavyweight paper - A size (8.5 x 11-inches) - 15 sheets per package
C1853A	Premium InkJet heavyweight paper - A4 size (21.0cm x 29.7cm) - Coated on both sides - 100 sheets per package
C1855A	Premium InkJet paper - B size (11 x 17-inches) - 100 sheets per package
C1856A	Premium InkJet paper - A3 size (29.7cm x 42.0cm) - 100 sheets
C1857A	Bright white InkJet paper - B size (11 x 17-inches) - 200 sheets per package
C1858A	Bright white InkJet paper - A3 size (29.7cm x 42.0cm) - 200 sheets per package
C5976B	Bright white InkJet paper - A size (8.5 x 11-inches) - 250 sheets per package
C5977A	Bright white InkJet paper - A4 size (21.0cm x 29.7cm) - 200 sheets per package

#### Paper (Matte)

C6955A	Professional and flyer paper (Matte) - A size (8.5 x 11-inches) - 50 sheets
--------	---

#### Paper (Photo)

C6039A	Premium glossy photo paper (Fast dry time) - A size (8.5 x 11-inches) - 15 sheets per package
C6040A	Premium glossy photo paper - A4 size (21.0cm x 29.7cm) - 15 sheets per package (Europe, Brazil, and Argentina)
C6058A	Premium photographic paper - B size (11 x 17-inches) - 20 sheets
C6059A	Premium photographic paper - A3 size (29.7cm x 42.0cm) - 20 sheets
C6831A	Premium plus glossy InkJet photographic paper - A size (8.5 x 11-inches) - 20 sheets per package
C6832A	Premium plus glossy InkJet photographic paper - A4 size (21.0cm x 29.7cm) - 20 sheets per package
C6950A	Premium Plus matte inkjet photographic paper - A size (8.5 x 11-inches) - 20 sheets per package
C6950AC	Premium Plus matte photographic paper - A size (8.5 x 11-inches) - 20 sheets per package - For Canada only
C6951A	Premium plus matte InkJet photographic paper - A4 size (21.0cm x 29.7cm) - 20 sheets per package
C6979A	Premium glossy photo paper (fast dry time) - A size (8.5 x 11-inches) - 50 sheets per package
C7013A	Colorfast photo paper - A size (8.5 x 11-inches) - 20 sheets per package
C7014A	Colorfast glossy photo paper - A size (8.5 x 11-inches) - 20 sheets
Q1785A	Photo Paper - A size (8.5 x 11-inches) - 50 sheets
Q1934A	Premium Plus Photo Matte paper - A4 size (21.0cm x 29.7cm) - 20 sheets per package
Q1993A	Premium Photo Matte Paper - A size (8.5 x 11-inches) - 15 sheets
Q1994A	Premium Photo Matte Paper - A size (8.5 x 11-inches) - 50 sheets

#### Paper (Semi-Glossy)

C7884A	Large format proofing semi-gloss media - 33.0 cm (13in) x 48.3cm (19in)
--------	---

### Print Mechanism Parts

#### Belt

113	C7791-60233	Carriage belt - Used to move the carriage from side to side
114	C8108-67048	Drive belt for the output mechanism assembly

**Print Mechanism Parts****Cam**

115 C7791-60232 Pick cam - Located on the left-side of the print mechanism

**Carriage**

116 C7796-60077 Carriage assembly - Includes trialing cable

**Encoder**

117 C7791-60205 Encoder strip - Clear strip with position markers

118 C8108-67051 Paper motor encoder disk - Mounts on the left end of the pivot and feedroller assembly shaft

**Guide**

119 C7791-60202 Inner paper guide - Guides the paper through the paper path

**Holder**

120 C7790-60104 Encoder strip holder - Wire loop that connects to the carriage assembly that is used to hold the encoder strip

121 C7790-60124 Ink tube holder - Holds the ink tubes from the RIDS assembly

**Ink Delivery System**

122 C7796-60023 RIDS assembly - Transports ink from the ink supply station to the printheads

**Motor**

123 C7791-60143 Carriage drive motor - Drives the carriage belt

124 C8108-67038 Paper motor assembly - Powers the drive roller

125 C8108-67040 Ramp motor assembly - Used to operate paper output rollers

**Pivot**

126 C7796-60026 Pivot assembly - Black plastic part under platten - Supports pick roller

**Platen**

127 C7791-60144 Print Platen - Surface that supports paper during printing

128 C7791-60220 Bypass platen assembly

**Roller Assembly**

129 C7791-60200 Pick roller assembly - Picks media from the input paper tray and feeds it through the paper path

130 C7791-60201 Feed roller assembly - Includes encoder disk and paper-axis motor assembly - Feeds media under the carriage assembly

**Roller Kit**

131 C7791-60230 Upper paper guide roller kit (includes 8 rollers) - Helps to guide media through paper path

**Spring**

132 C7790-60125 Belt tensioner spring

**Starwheel**

133 C7791-60128 Starwheel assembly - Provides downward pressure on media as it passes through the feed rollers

**Turnaround Assembly**

134 C7791-60212 Turnaround assembly - Includes belt tensioning spring

**Stand Parts****Adapter**

135 Q1246-60011 Base adaptor kit (includes 2)

**Bin**

136 Q1246-60010 Paper bin assembly

**Brace**

137 Q1246-60008 X-brace assembly - Connects between both legs



### Stand Parts

#### Foot

138 Q1246-60009 Foot assembly (includes 2)

#### Leg

139 Q1246-60007 Legs assembly (includes 2)

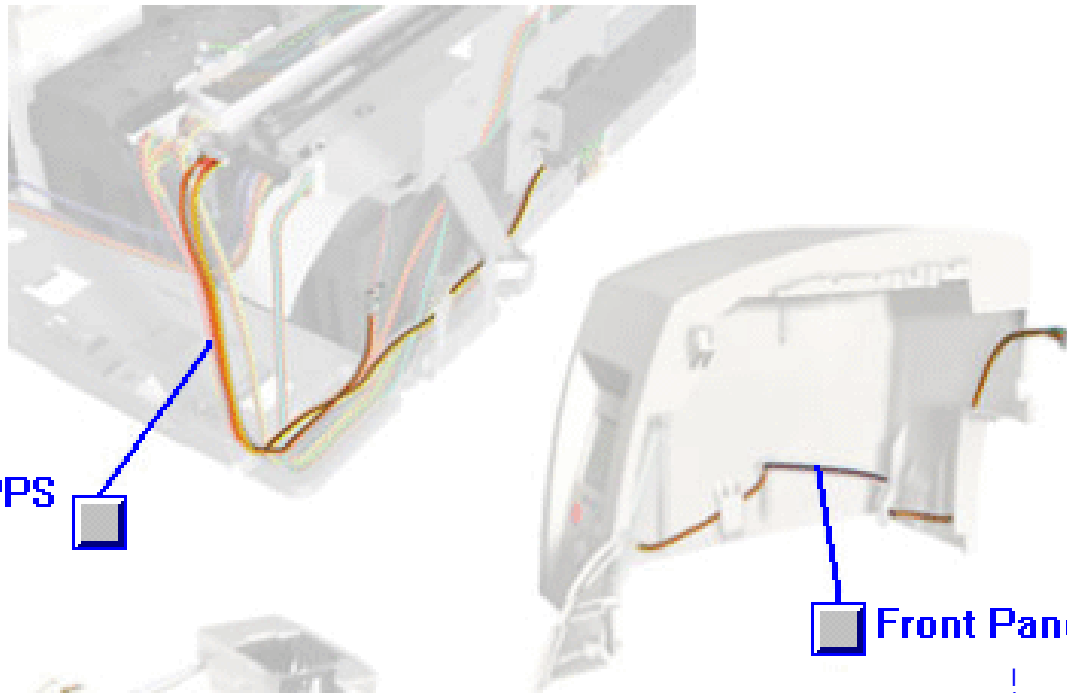
#### Stand

Q1246A DesignJet 100 series printer stand & media bin

#### Support

141 Q1246-60012 Input tray support - Used to support the weight of the input paper tray

Cable Harnesses

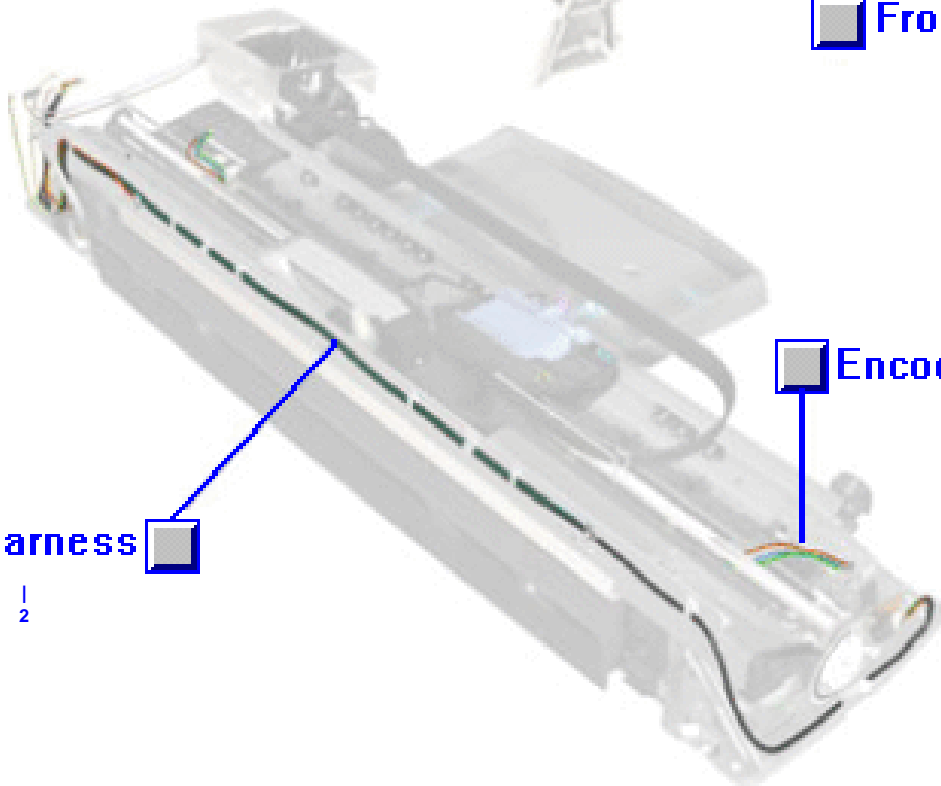


Duplex OPPS  
Harness

4

Front Panel Cable

1



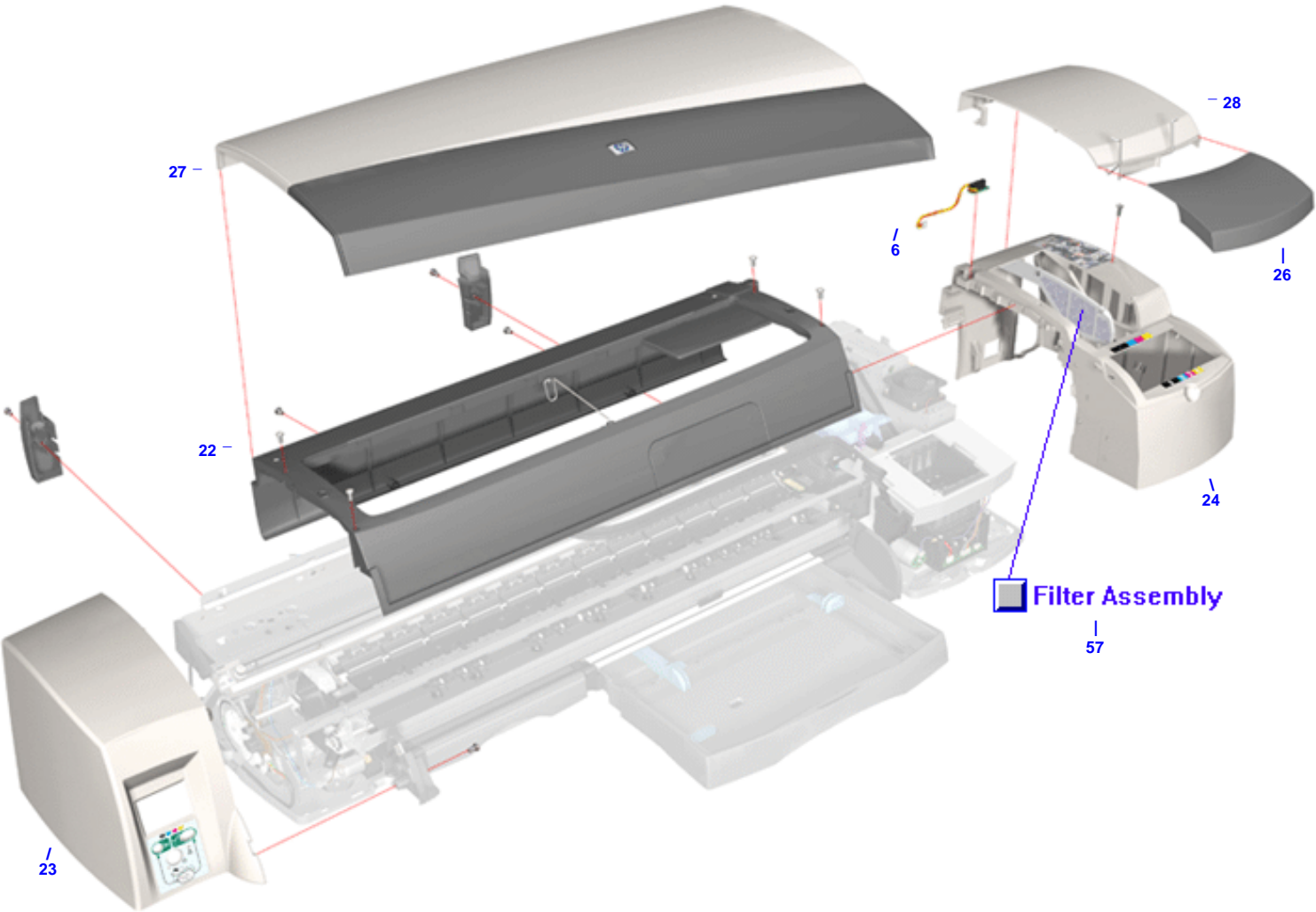
Motor Harness

2

Encoder Harness

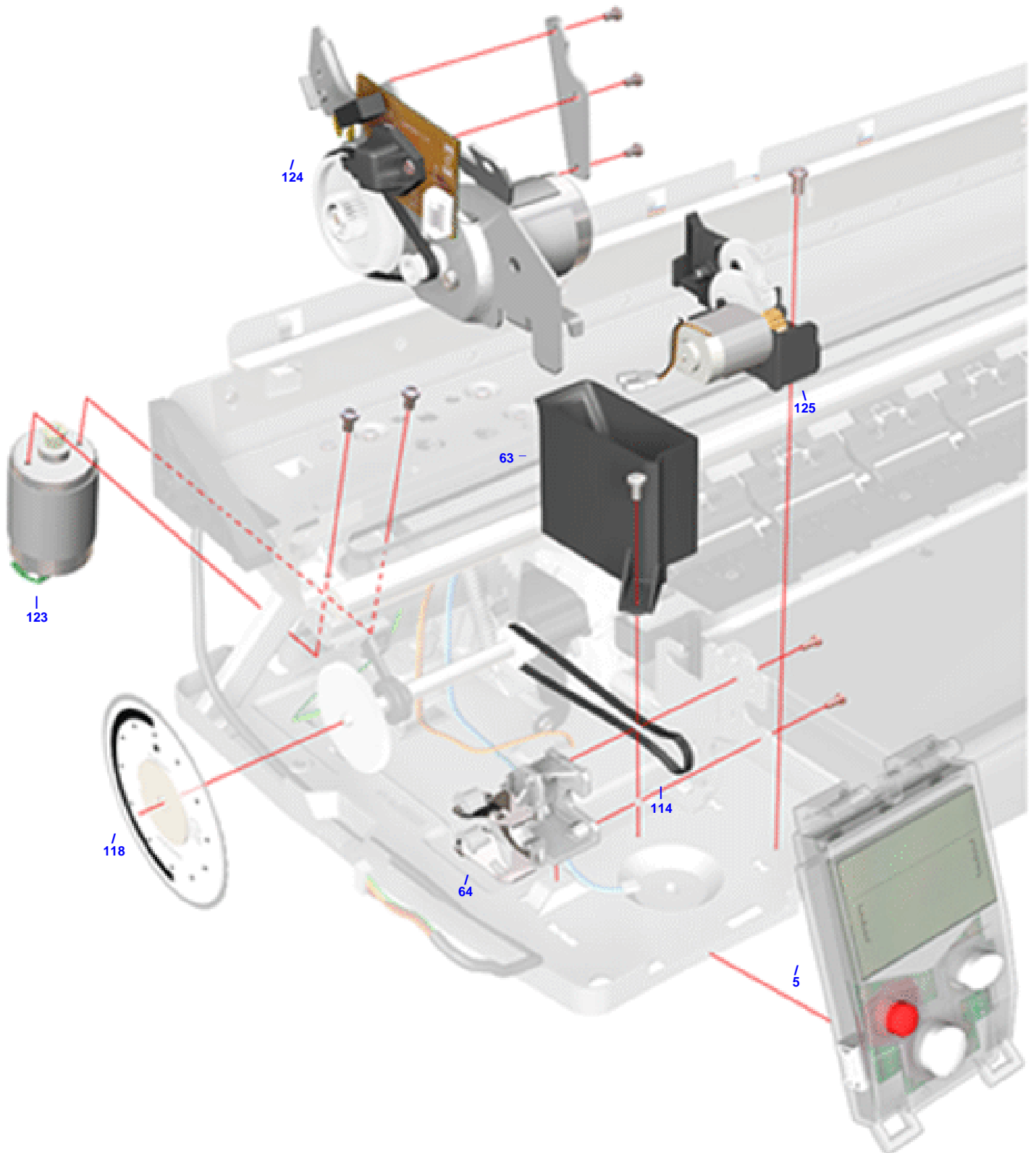
3

Cover Assemblies

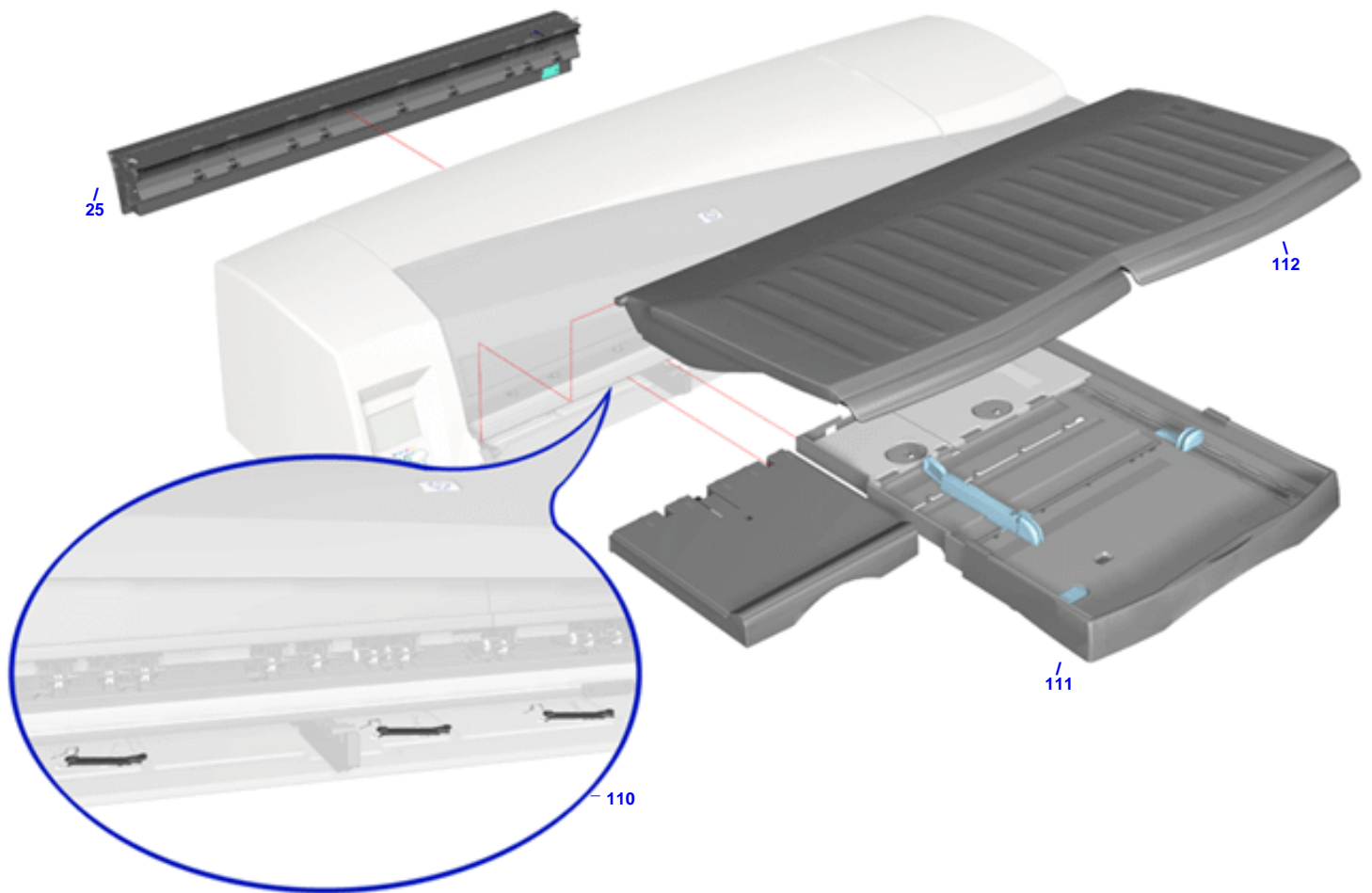




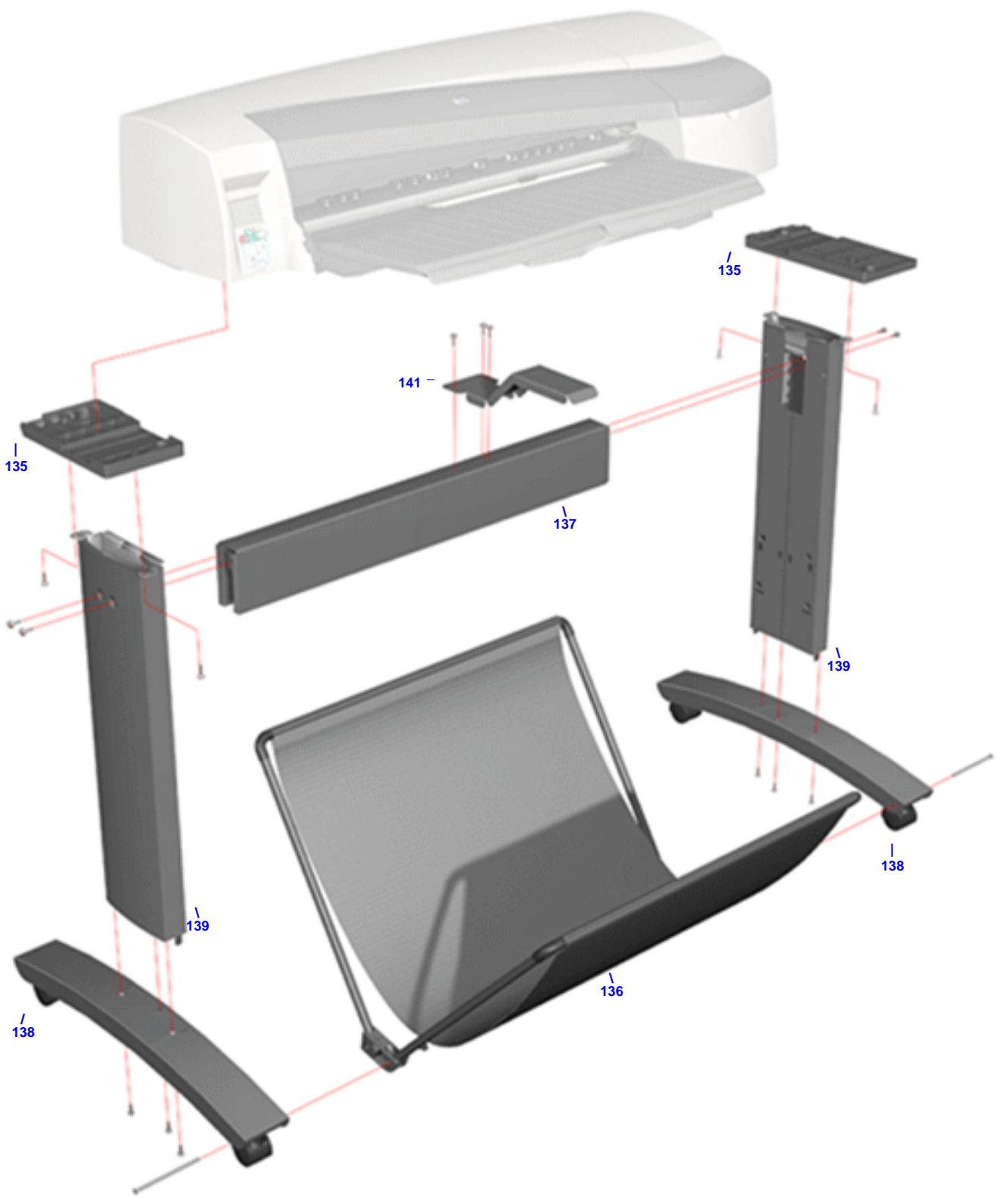
Left-side Assemblies



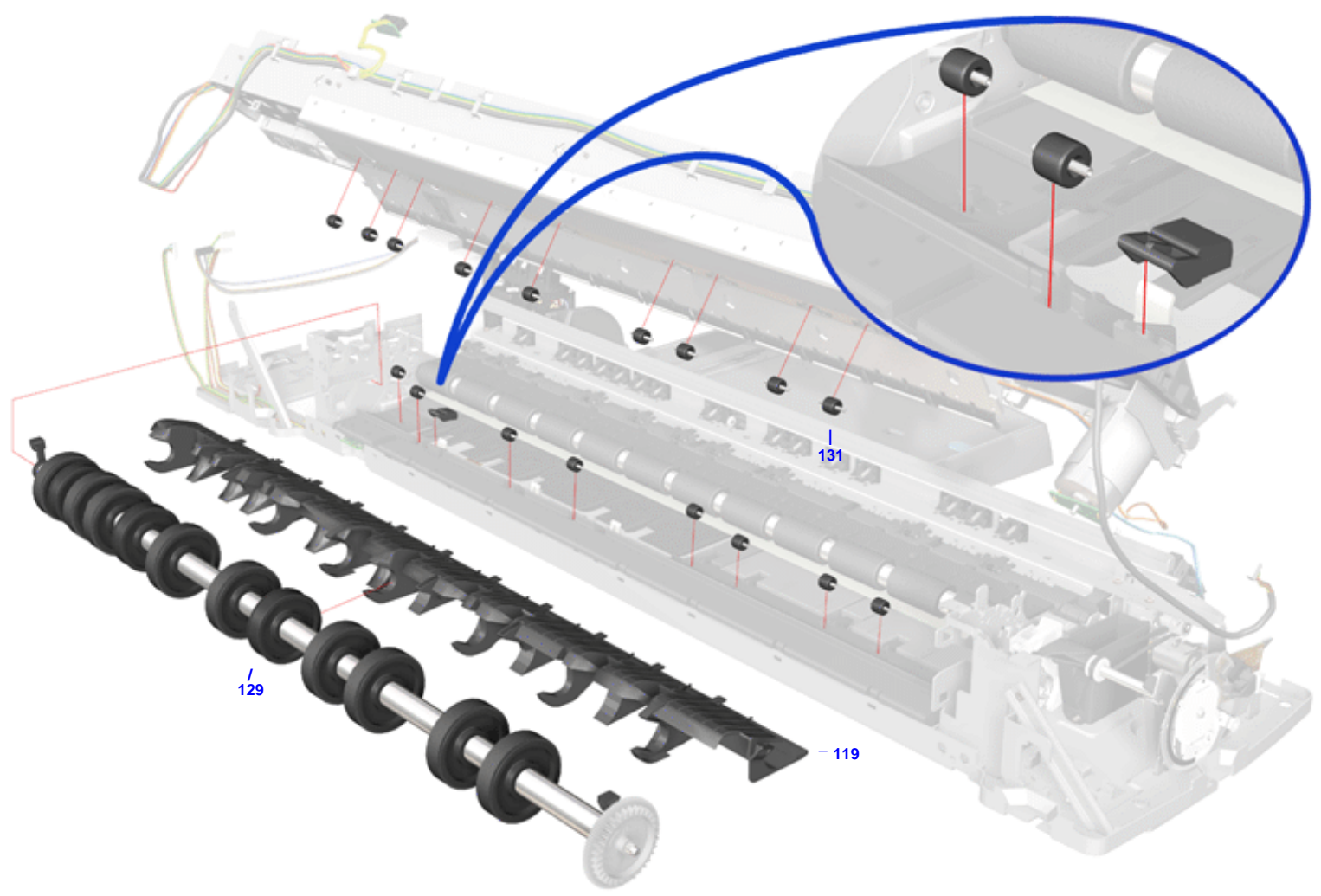
Paper Feed Assemblies



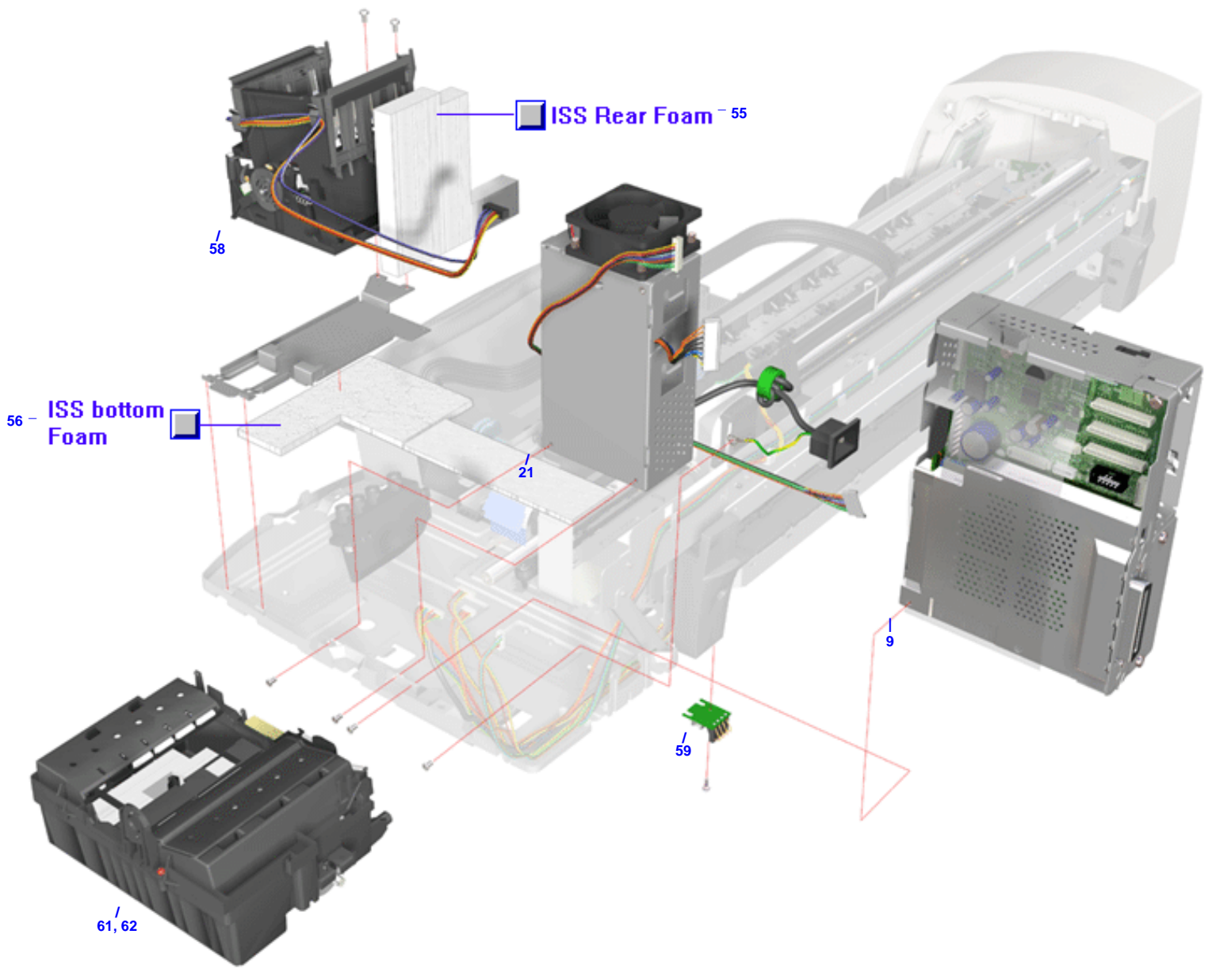
Printer Stand and Paper Bin



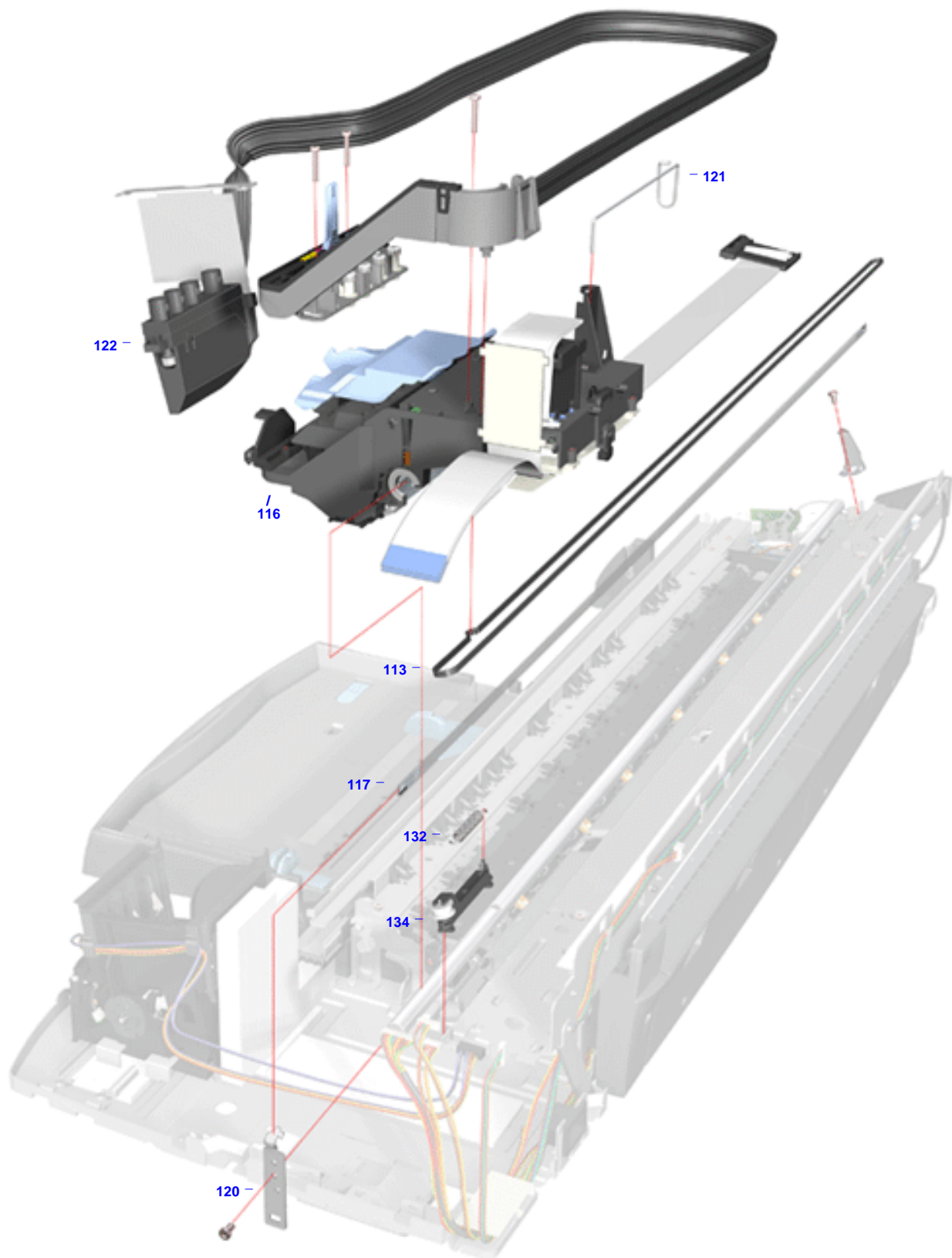
Rear Paper Path Assemblies



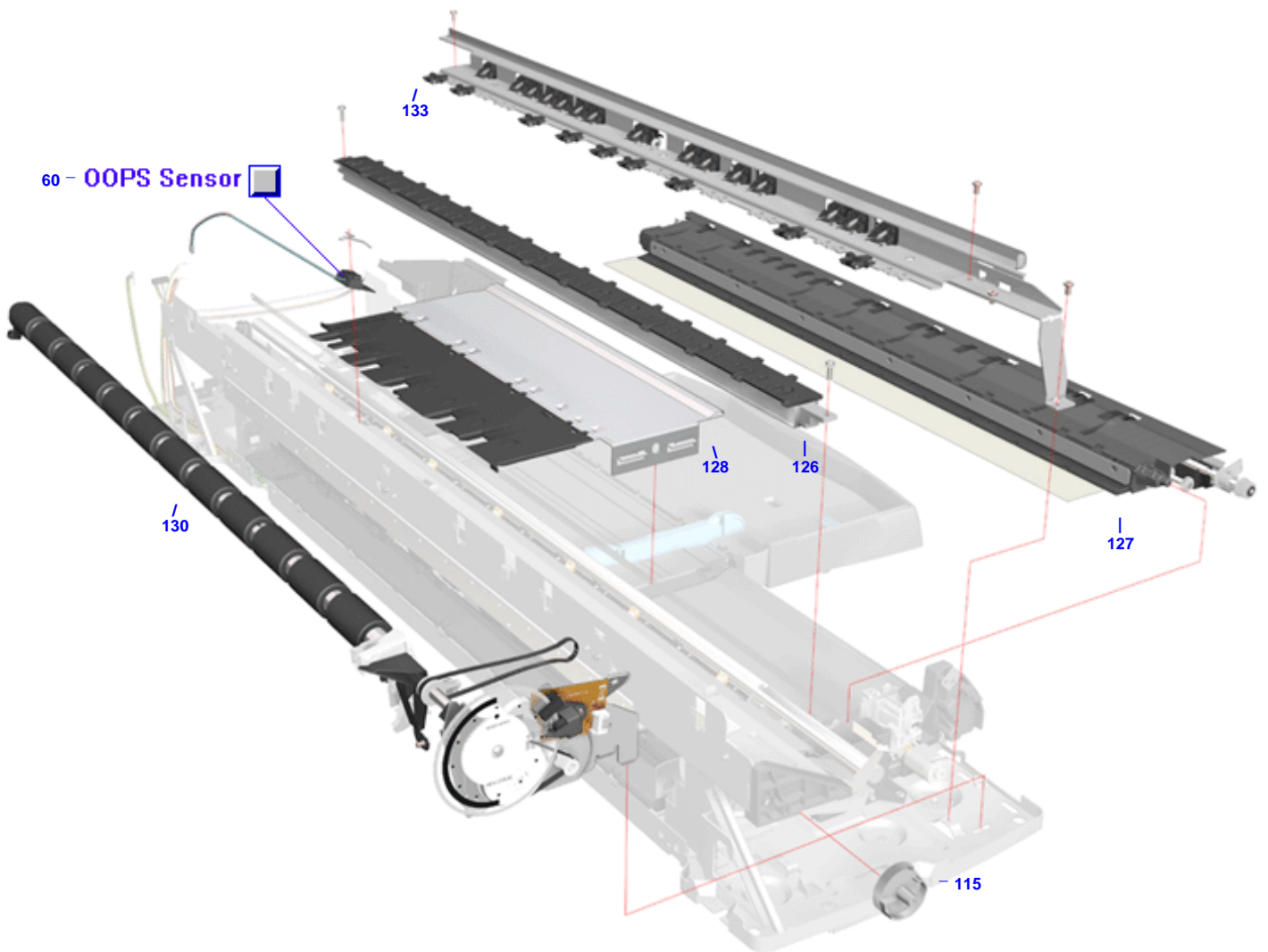
### Right-side Assemblies



Scan-axis Assemblies



Top Paper Path Assemblies





**HP Parts Reference Guide**

<http://www.hp.com/go/parts>

**HP PartSurfer**

<http://partsurfer.hp.com>

**HP Parts Ordering Information**

<http://www.hp.com/go/hpparts>

**HP Parts Questions/Comments**

<http://partsurfer.hp.com/contactus.htm>