

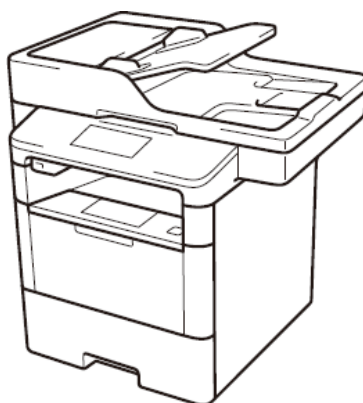


FAX/MFC

PARTS REFERENCE LIST

MODEL

DCP-L5500D/L5500DN/L5502DN/L5600DN
DCP-L5602DN/L5650DN/L5652DN/L6600DW
MFC-8530DN/8535DN/8540DN
MFC-L5700DN/L5700DW/L5702DW/L5750DW
MFC-L5755DW/L5800DW/L5802DW/L5850DW
MFC-L5900DW/L5902DW/L6700DW/L6702DW
MFC-L6750DW/L6800DW/L6900DW/L6900DW(X/G)
MFC-L6902DW/L6950DW/L6970DW



Read this list thoroughly before maintenance work.

Keep this list in a convenient place for quick and easy reference at all times.

NOTE FOR USING THIS PARTS REFERENCE LIST

1. In the case of ordering parts, it is necessary to mention the following items:

- (1) Code
- (2) Q'ty
- (3) Description

<Example>

| | (1) | (2) | (3) | | | |
|--------|------|------|-------------|-------|------|---------|
| REFNo. | CODE | Q'TY | DESCRIPTION | MODEL | SPEC | REMARKS |
| | | | | | | |

2. Design-changed parts:

If any of the parts is changed, one of the following symbols is indicated in the REMARKS column.

CHG (chg): The part is changed for a new one.

ADD (add): The part is newly added.

DEL (del): The part is deleted.

Symbol in capital letters indicates the latest parts change information in the page.

3. Parts change will be informed by the Parts change information.

4. Parts are subject to change in design without prior notice.

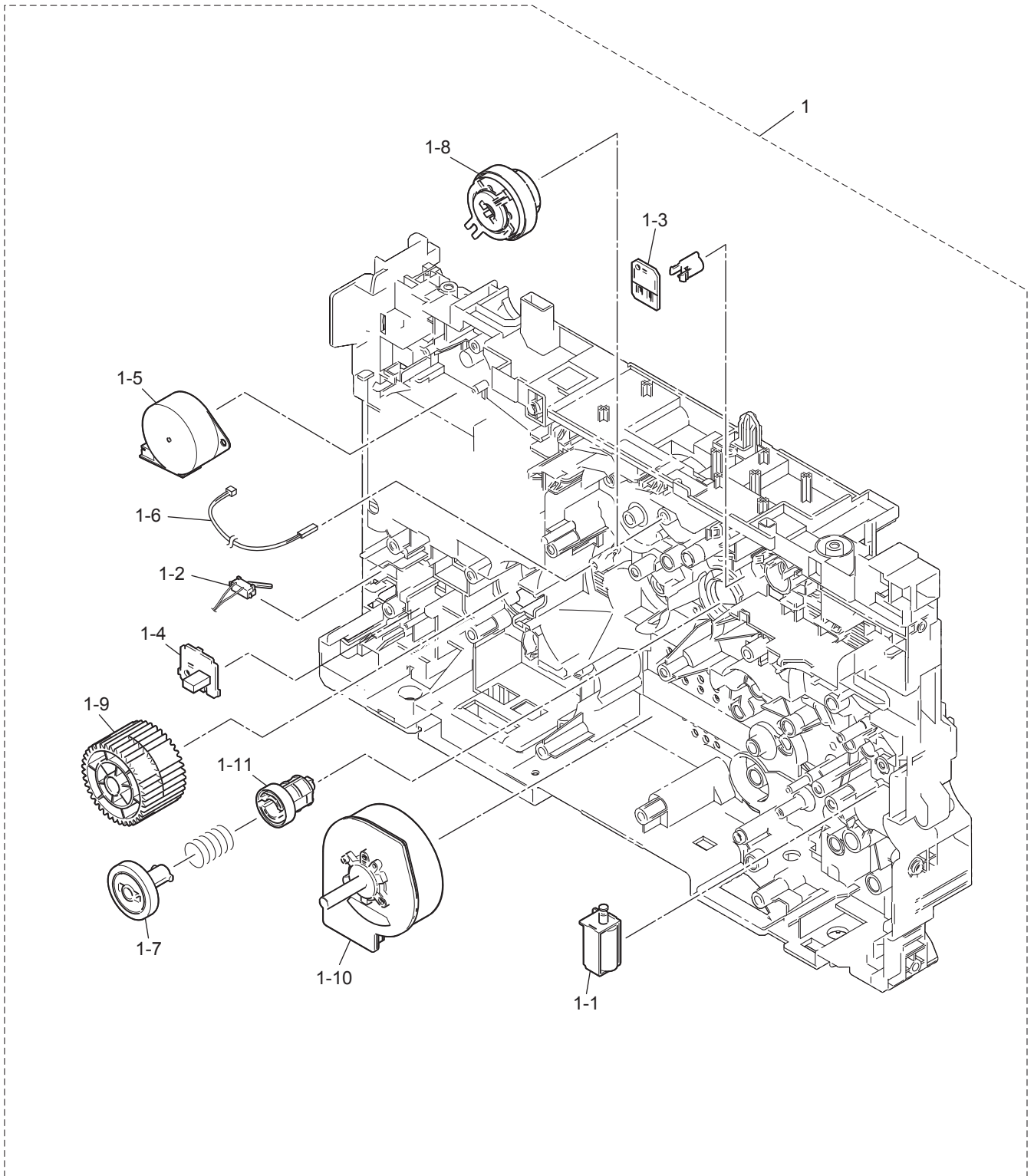
COUNTRIES & AREAS

| | |
|-----------------------|------------------------------------|
| ARG ----- ARGENTINA | IRN ----- IRAN |
| ARL ----- AUSTRALIA | ISR ----- ISRAEL |
| ASA ----- ASIA | ITA CONSIP----- CONSIP ITALY |
| BRA ----- BRAZIL | ITA/IBE ----- ITALY/SPAIN/PORTUGAL |
| CAN ----- CANADA | ITA-IPZS ----- ITALY-IPZS |
| CEE ----- CEE GENERAL | KOR ----- KOREA |
| CHL----- CHILE | NZ ----- NEW ZEALAND |
| CHN ----- CHINA | PND ----- PAN-NORDIC |
| FRA/BEL/NLD ----- | (NORWAY/FINLAND/DENMARK/ |
| FRANCE/BELGIUM/ | SWEDEN) |
| NETHERLANDS | RUS ---- RUSSIA |
| GEN ----- GENERIC | SWI----- SWITZERLAND |
| GER ----- GERMANY | TWN ----- TAIWAN |
| GULF ----- GULF | UK ----- UNITED KINGDOM |
| IND ----- INDIA | USA ----- U.S.A. |

CONTENTS

| | | |
|-----|---|----|
| 1. | <u>FRAME L & DRIVE UNIT</u> | 1 |
| 2. | <u>FRAME R UNIT</u> | 4 |
| 3. | <u>FRAME</u> | 6 |
| 4. | <u>LASER UNIT</u> | 8 |
| 5. | <u>PAPER FEEDER</u> | 10 |
| 6. | <u>DX</u> | 12 |
| 7. | <u>PAPER CASSETTE</u> | 14 |
| 8. | <u>FUSER UNIT</u> | 17 |
| 9. | <u>COVERS & LABELS</u> | 19 |
| 10. | <u>DOCUMENT SCANNER</u> | 26 |
| 11. | <u>ADF & DOCUMENT COVER</u> | 29 |
| 12. | <u>PANEL</u> | 37 |
| 13. | <u>PCB</u> | 42 |
| 14. | <u>ACCESSORIES</u> | 47 |
| 15. | <u>PACKING MATERIALS</u> | 51 |
| 16. | <u>PERIODICAL MAINTENANCE PARTS</u> | 55 |
| 17. | <u>Appendix</u> | 57 |

1. FRAME L DRIVE & DRIVE UNIT



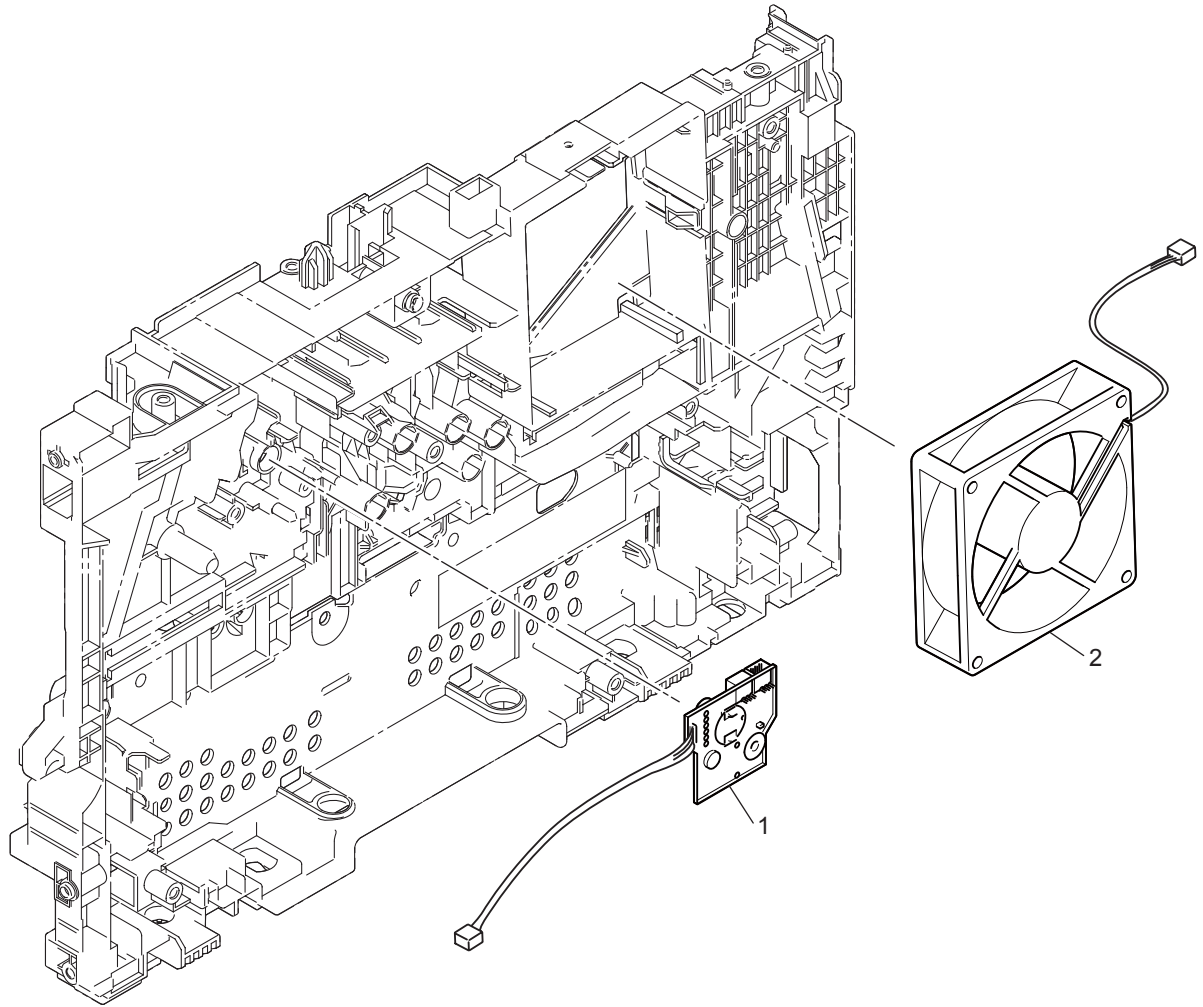
1. FRAME L&DRIVE UNIT

| REF No. | CODE | Q'TY | DESCRIPTION | MODEL | SPEC | REMARKS |
|---------|-----------|------|---|--------------|---|---------|
| 1 | D009K4001 | 1 | MAIN FRAME L ASSY (SP) | DCP-L5500D | | |
| 1 | D009K4001 | 1 | MAIN FRAME L ASSY (SP) | DCP-L5500DN | FOR USA | |
| 1 | D009K5001 | 1 | MAIN FRAME L ASSY (SP) | DCP-L5500DN | FOR GER/UK/SWI/ITA/IBE/RUS/ FRA/BEL/NLD/PND/CEE/ITA | |
| 1 | D009K5001 | 1 | MAIN FRAME L ASSY (SP) | DCP-L5502DN | | |
| 1 | D009K4001 | 1 | MAIN FRAME L ASSY (SP) | DCP-L5600DN | | |
| 1 | D009K5001 | 1 | MAIN FRAME L ASSY (SP) | DCP-L5602DN | | |
| 1 | D009K4001 | 1 | MAIN FRAME L ASSY (SP) | DCP-L5650DN | | |
| 1 | D009K5001 | 1 | MAIN FRAME L ASSY (SP) | DCP-L5652DN | | |
| 1 | D009K7001 | 1 | MAIN FRAME L ASSY (SP) | DCP-L6600DW | FOR GER/UK/SWI/ITA/IBE/RUS/ PND/CEE/GEN | |
| 1 | D009K6001 | 1 | MAIN FRAME L ASSY (SP) | DCP-L6600DW | FOR ISR/ARG | |
| 1 | D009K5001 | 1 | MAIN FRAME L ASSY (SP) | MFC-8530DN | | |
| 1 | D009K5001 | 1 | MAIN FRAME L ASSY (SP) | MFC-8535DN | | |
| 1 | D009K5001 | 1 | MAIN FRAME L ASSY (SP) | MFC-8540DN | | |
| 1 | D009K5001 | 1 | MAIN FRAME L ASSY (SP) | MFC-L5700DN | FOR GER/UK/SWI/ITA/IBE/RUS/ FRA/BEL/NLD/PND/CEE | |
| 1 | D009K4001 | 1 | MAIN FRAME L ASSY (SP) | MFC-L5700DN | FOR TWN/ASA/GULF/KOR | |
| 1 | D009K4001 | 1 | MAIN FRAME L ASSY (SP) | MFC-L5700DW | | |
| 1 | D009K5001 | 1 | MAIN FRAME L ASSY (SP) | MFC-L5702DW | | |
| 1 | D009K5001 | 1 | MAIN FRAME L ASSY (SP) | MFC-L5750DW | FOR GER/UK/SWI/ITA/IBE/RUS/ FRA/BEL/NLD/CEE | |
| 1 | D009K4001 | 1 | MAIN FRAME L ASSY (SP) | MFC-L5750DW | FOR ISR/TUR | |
| 1 | D009K4001 | 1 | MAIN FRAME L ASSY (SP) | MFC-L5755DW | | |
| 1 | D009K4001 | 1 | MAIN FRAME L ASSY (SP) | MFC-L5800DW | | |
| 1 | D009K5001 | 1 | MAIN FRAME L ASSY (SP) | MFC-L5802DW | | |
| 1 | D009K4001 | 1 | MAIN FRAME L ASSY (SP) | MFC-L5850DW | | |
| 1 | D009K4001 | 1 | MAIN FRAME L ASSY (SP) | MFC-L5900DW | | |
| 1 | D009K5001 | 1 | MAIN FRAME L ASSY (SP) | MFC-L5902DW | | |
| 1 | D009K6001 | 1 | MAIN FRAME L ASSY (SP) | MFC-L6700DW | | |
| 1 | D009K7001 | 1 | MAIN FRAME L ASSY (SP) | MFC-L6702DW | | |
| 1 | D009K6001 | 1 | MAIN FRAME L ASSY (SP) | MFC-L6750DW | | |
| 1 | D009K6001 | 1 | MAIN FRAME L ASSY (SP) | MFC-L6800DW | FOR USA/ISR | |
| 1 | D009K7001 | 1 | MAIN FRAME L ASSY (SP) | MFC-L6800DW | FOR GER/UK/SWI/ITA/IBE/RUS/ PND/CEE/GEN/ITA_CONSIP | |
| 1 | D009K6001 | 1 | MAIN FRAME L ASSY (SP) | MFC-L6900DW | FOR USA/CAN/ARL/ISR/TWN/NZ/ ARG/CHL/ASA/GULF/KOR/MEX | |
| 1 | D009K7001 | 1 | MAIN FRAME L ASSY (SP) | MFC-L6900DW | FOR GER/UK/SWI/ITA/IBE/RUS/ PND/CEE/GEN | |
| 1 | D009K6001 | 1 | MAIN FRAME L ASSY (SP) | MFC-L6900DWG | | |
| 1 | D009K6001 | 1 | MAIN FRAME L ASSY (SP) | MFC-L6900DWX | | |
| 1 | D009K7001 | 1 | MAIN FRAME L ASSY (SP) | MFC-L6902DW | | |
| 1 | D009K7001 | 1 | MAIN FRAME L ASSY (SP) | MFC-L6950DW | | |
| 1 | D009K7001 | 1 | MAIN FRAME L ASSY (SP) | MFC-L6970DW | | |
| 1-1 | LU9352001 | 1 | MP SOLENOID | | | |
| 1-2 | D000YK001 | 1 | BACK COVER/DUPLEX TRAYSSENSOR HARNES | | | |
| 1-3 | D0000L001 | 1 | TONER SENSOR PCB ASSY | | | |
| 1-4 | D0001C001 | 1 | EXTERNAL TEMPERATURE/HUMIDITY SENSOR | | | |
| 1-5 | D00054001 | 1 | EJECT MOTOR | | | |
| 1-6 | D001BA001 | 1 | INTERNAL TEMPERATURE SENSOR | | | |
| 1-7 | LY4382001 | 1 | DEVELOP JOINT GEAR 37 | | | |
| 1-8 | LY4408001 | 1 | DEVELOP CLUTCH 51R | | | |
| 1-9 | LY4450001 | 1 | FUSER DRIVE GEAR 39 | | | |
| 1-10 | LY4378001 | 1 | PAPER FEED MOTOR | DCP-L5500D | | |
| 1-10 | LY4378001 | 1 | PAPER FEED MOTOR | DCP-L5500DN | | |
| 1-10 | LY4378001 | 1 | PAPER FEED MOTOR | DCP-L5502DN | | |
| 1-10 | LY4378001 | 1 | PAPER FEED MOTOR | DCP-L5600DN | | |
| 1-10 | LY4378001 | 1 | PAPER FEED MOTOR | DCP-L5602DN | | |
| 1-10 | LY4378001 | 1 | PAPER FEED MOTOR | DCP-L5650DN | | |
| 1-10 | LY4378001 | 1 | PAPER FEED MOTOR | DCP-L5652DN | | |
| 1-10 | D000TC001 | 1 | PAPER FEED MOTOR | DCP-L6600DW | | |
| 1-10 | LY4378001 | 1 | PAPER FEED MOTOR | MFC-8530DN | | |
| 1-10 | LY4378001 | 1 | PAPER FEED MOTOR | MFC-8535DN | | |
| 1-10 | LY4378001 | 1 | PAPER FEED MOTOR | MFC-8540DN | | |
| 1-10 | LY4378001 | 1 | PAPER FEED MOTOR | MFC-L5700DN | | |
| 1-10 | LY4378001 | 1 | PAPER FEED MOTOR | MFC-L5700DW | | |

1. FRAME L&DRIVE UNIT

| REF No. | CODE | Q'TY | DESCRIPTION | MODEL | SPEC | REMARKS |
|---------|-----------|------|------------------|--------------|---|---------|
| 1-10 | LY4378001 | 1 | PAPER FEED MOTOR | MFC-L5702DW | | |
| 1-10 | LY4378001 | 1 | PAPER FEED MOTOR | MFC-L5750DW | | |
| 1-10 | LY4378001 | 1 | PAPER FEED MOTOR | MFC-L5755DW | | |
| 1-10 | LY4378001 | 1 | PAPER FEED MOTOR | MFC-L5800DW | | |
| 1-10 | LY4378001 | 1 | PAPER FEED MOTOR | MFC-L5802DW | | |
| 1-10 | LY4378001 | 1 | PAPER FEED MOTOR | MFC-L5850DW | | |
| 1-10 | LY4378001 | 1 | PAPER FEED MOTOR | MFC-L5900DW | | |
| 1-10 | LY4378001 | 1 | PAPER FEED MOTOR | MFC-L5902DW | | |
| 1-10 | D000TC001 | 1 | PAPER FEED MOTOR | MFC-L6700DW | | |
| 1-10 | D000TC001 | 1 | PAPER FEED MOTOR | MFC-L6702DW | | |
| 1-10 | D000TC001 | 1 | PAPER FEED MOTOR | MFC-L6750DW | | |
| 1-10 | D000TC001 | 1 | PAPER FEED MOTOR | MFC-L6800DW | | |
| 1-10 | D000TC001 | 1 | PAPER FEED MOTOR | MFC-L6900DW | | |
| 1-10 | D000TC001 | 1 | PAPER FEED MOTOR | MFC-L6900DWG | | |
| 1-10 | D000TC001 | 1 | PAPER FEED MOTOR | MFC-L6900DWX | | |
| 1-10 | D000TC001 | 1 | PAPER FEED MOTOR | MFC-L6902DW | | |
| 1-10 | D000TC001 | 1 | PAPER FEED MOTOR | MFC-L6950DW | | |
| 1-10 | D000TC001 | 1 | PAPER FEED MOTOR | MFC-L6970DW | | |
| 1-11 | LY4380001 | 1 | DEVELOP JOINT | DCP-L5500D | | |
| 1-11 | LY4380001 | 1 | DEVELOP JOINT | DCP-L5500DN | FOR USA | |
| 1-11 | D001Y5001 | 1 | DEVELOP JOINT | DCP-L5500DN | FOR GER/UK/SWI/ITA/IBE/RUS/ FRA/BEL/NLD/PND/CEE/ITA | |
| 1-11 | D001Y5001 | 1 | DEVELOP JOINT | DCP-L5502DN | | |
| 1-11 | LY4380001 | 1 | DEVELOP JOINT | DCP-L5600DN | | |
| 1-11 | D001Y5001 | 1 | DEVELOP JOINT | DCP-L5602DN | | |
| 1-11 | LY4380001 | 1 | DEVELOP JOINT | DCP-L5650DN | | |
| 1-11 | D001Y5001 | 1 | DEVELOP JOINT | DCP-L5652DN | | |
| 1-11 | D001Y5001 | 1 | DEVELOP JOINT | DCP-L6600DW | FOR GER/UK/SWI/ITA/IBE/RUS/ PND/CEE/GEN | |
| 1-11 | LY4380001 | 1 | DEVELOP JOINT | DCP-L6600DW | FOR ISR/ARG | |
| 1-11 | D001Y5001 | 1 | DEVELOP JOINT | MFC-8530DN | | |
| 1-11 | D001Y5001 | 1 | DEVELOP JOINT | MFC-8535DN | | |
| 1-11 | D001Y5001 | 1 | DEVELOP JOINT | MFC-8540DN | | |
| 1-11 | D001Y5001 | 1 | DEVELOP JOINT | MFC-L5700DN | FOR GER/UK/SWI/ITA/IBE/RUS/ FRA/BEL/NLD/PND/CEE | |
| 1-11 | LY4380001 | 1 | DEVELOP JOINT | MFC-L5700DN | FOR TWN/ASA/GULF/KOR | |
| 1-11 | LY4380001 | 1 | DEVELOP JOINT | MFC-L5700DW | | |
| 1-11 | D001Y5001 | 1 | DEVELOP JOINT | MFC-L5702DW | | |
| 1-11 | D001Y5001 | 1 | DEVELOP JOINT | MFC-L5750DW | FOR GER/UK/SWI/ITA/IBE/RUS/ FRA/BEL/NLD/CEE | |
| 1-11 | LY4380001 | 1 | DEVELOP JOINT | MFC-L5750DW | FOR ISR/TUR | |
| 1-11 | LY4380001 | 1 | DEVELOP JOINT | MFC-L5755DW | | |
| 1-11 | LY4380001 | 1 | DEVELOP JOINT | MFC-L5800DW | | |
| 1-11 | D001Y5001 | 1 | DEVELOP JOINT | MFC-L5802DW | | |
| 1-11 | LY4380001 | 1 | DEVELOP JOINT | MFC-L5850DW | | |
| 1-11 | LY4380001 | 1 | DEVELOP JOINT | MFC-L5900DW | | |
| 1-11 | D001Y5001 | 1 | DEVELOP JOINT | MFC-L5902DW | | |
| 1-11 | LY4380001 | 1 | DEVELOP JOINT | MFC-L6700DW | | |
| 1-11 | D001Y5001 | 1 | DEVELOP JOINT | MFC-L6702DW | | |
| 1-11 | LY4380001 | 1 | DEVELOP JOINT | MFC-L6750DW | | |
| 1-11 | LY4380001 | 1 | DEVELOP JOINT | MFC-L6800DW | FOR USA/ISR | |
| 1-11 | D001Y5001 | 1 | DEVELOP JOINT | MFC-L6800DW | FOR GER/UK/SWI/ITA/IBE/RUS/ PND/CEE/GEN/ITA_CONSIP | |
| 1-11 | LY4380001 | 1 | DEVELOP JOINT | MFC-L6900DW | FOR USA/CAN/ARL/ISR/TWN/NZ/ ARG/CHL/ASA/GULF/KOR/MEX | |
| 1-11 | D001Y5001 | 1 | DEVELOP JOINT | MFC-L6900DW | FOR GER/UK/SWI/ITA/IBE/RUS/ PND/CEE/GEN | |
| 1-11 | LY4380001 | 1 | DEVELOP JOINT | MFC-L6900DWG | | |
| 1-11 | LY4380001 | 1 | DEVELOP JOINT | MFC-L6900DWX | | |
| 1-11 | D001Y5001 | 1 | DEVELOP JOINT | MFC-L6902DW | | |
| 1-11 | D001Y5001 | 1 | DEVELOP JOINT | MFC-L6950DW | | |
| 1-11 | D001Y5001 | 1 | DEVELOP JOINT | MFC-L6970DW | | |

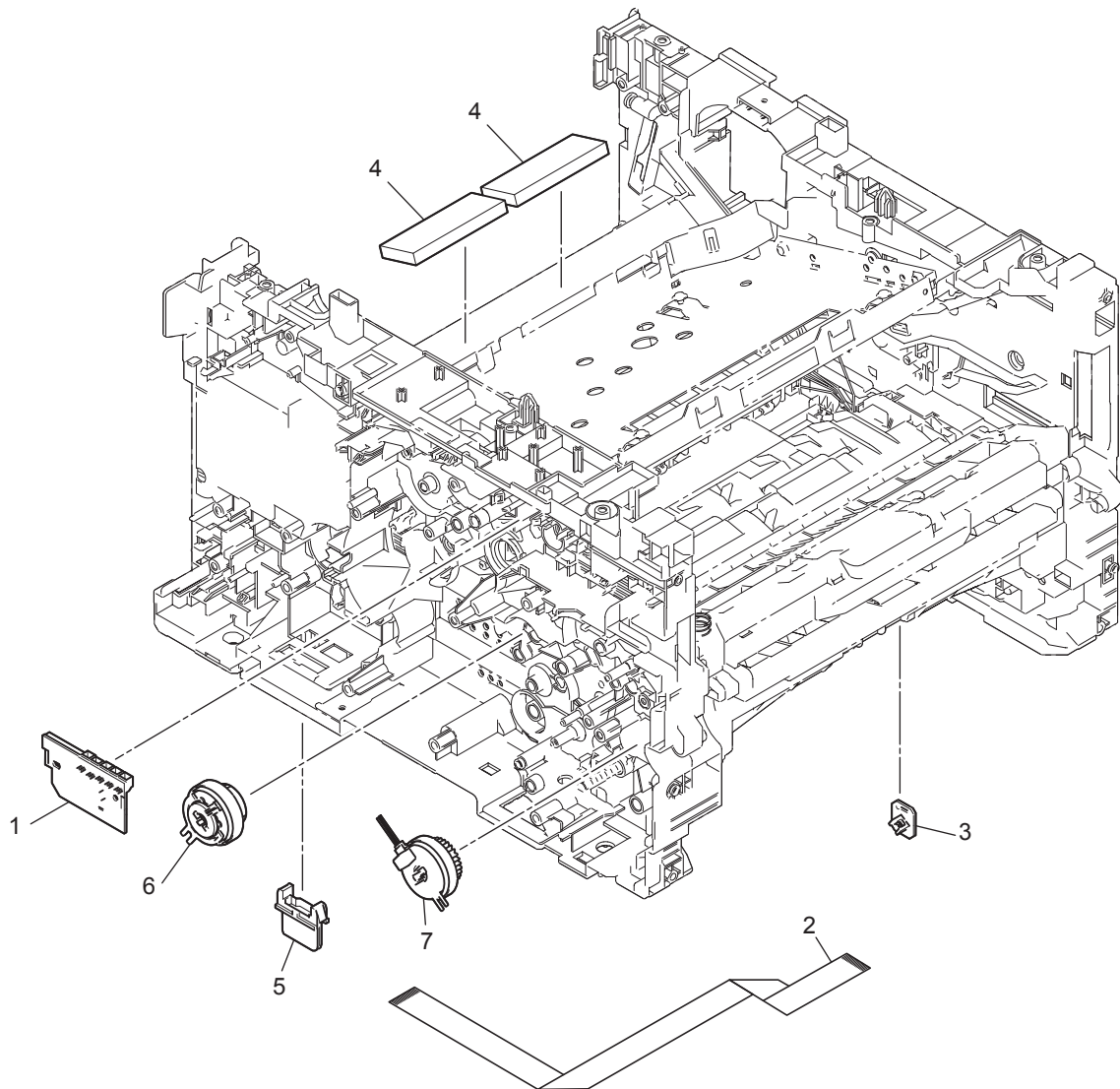
2. FRAME R UNIT



2. FRAME R UNIT

| REF No. | CODE | Q'TY | DESCRIPTION | MODEL | SPEC | REMARKS |
|---------|-----------|------|--------------------|-------|------|---------|
| 1 | D0000M002 | 1 | TONER LED PCB ASSY | | | |
| 2 | D000BE001 | 1 | MAIN FAN | | | |

3. FRAME

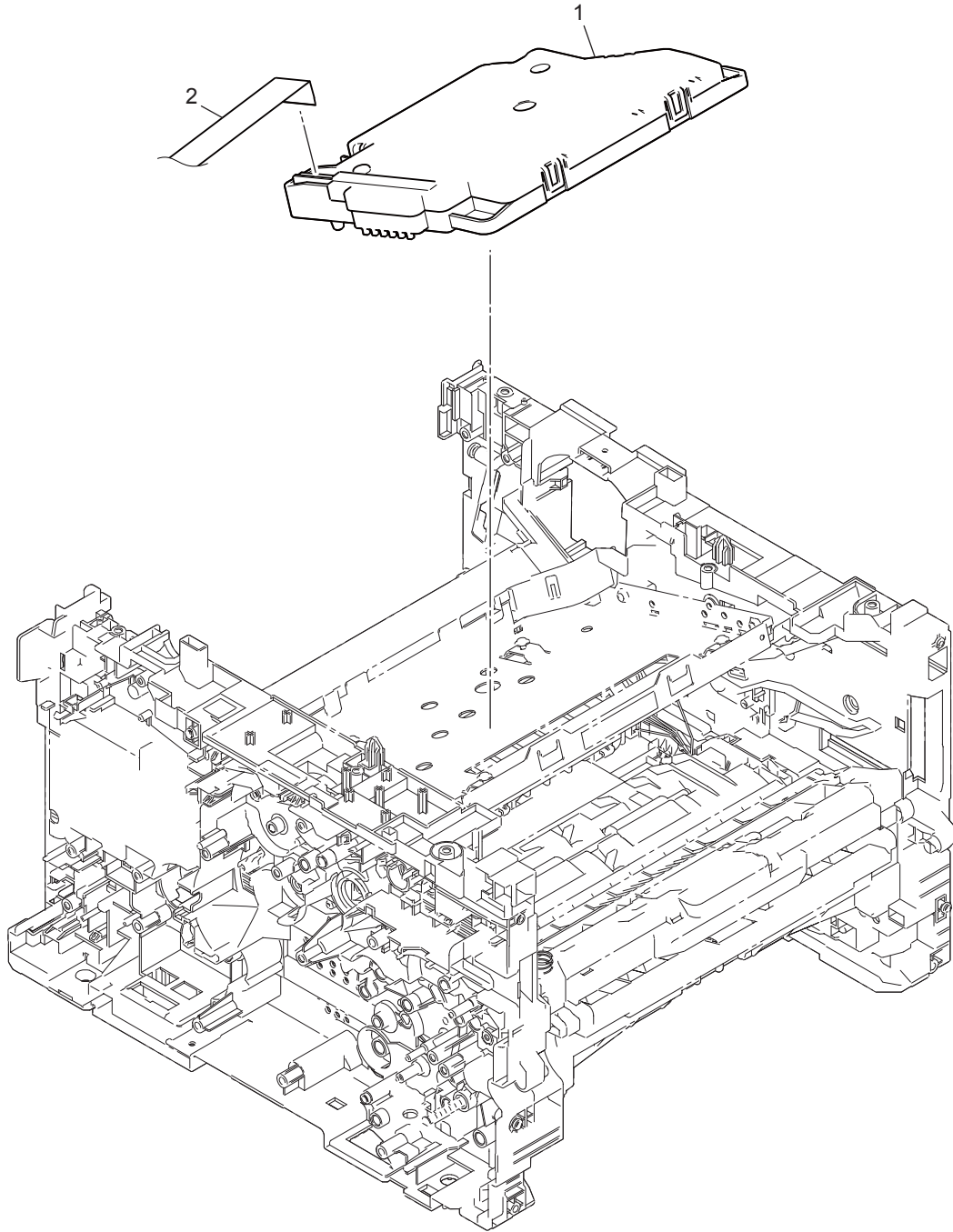


3. FRAME

| REF No. | CODE | Q'TY | DESCRIPTION | MODEL | SPEC | REMARKS |
|---------|-----------|------|-----------------------------------|-------|------|---------|
| 1 | D0000N001 | 1 | NEW TONER SENSOR RELAY PCB ASSY*1 | | | CHG |
| 2 | D0000U001 | 1 | MAIN HVPS FLAT CABLE | | | |
| 3 | D0050V001 | 1 | T1 PAPER FEED SENSOR PCB ASSY | | | |
| 4 | D00RH8001 | 2 | FILTER | | | chg |
| 5 | LM9266001 | 1 | LT/TT CONNECTOR | | | |
| 6 | LY4332001 | 1 | REGISTRATION CLUTCH | | | |
| 7 | LY4335001 | 1 | T1 PICKUP CLUTCH | | | |

*1 Part names is changed as because it is not easy to find where the New toner sensor is. October, 2019.

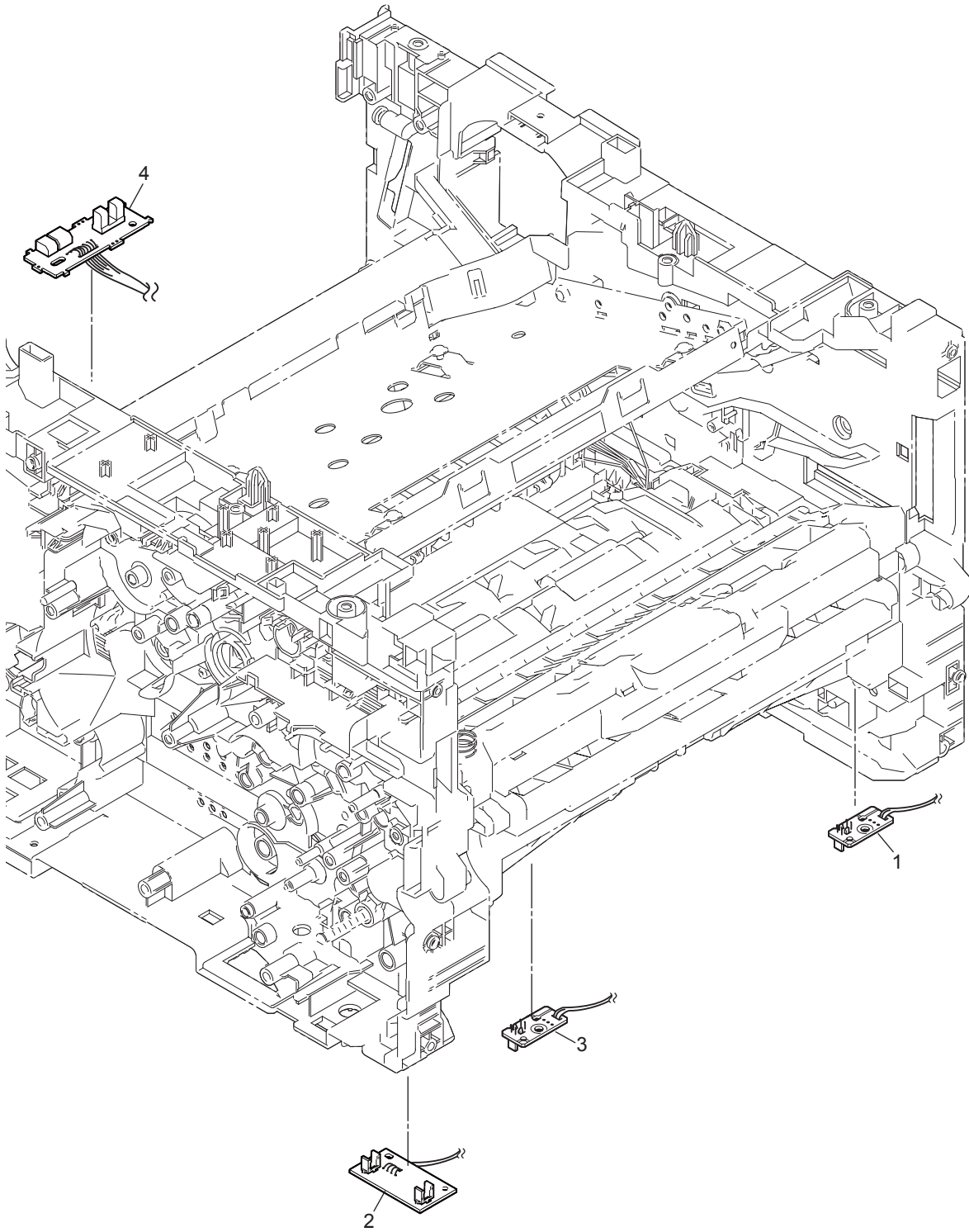
4. LASER UNIT



4. LASER UNIT

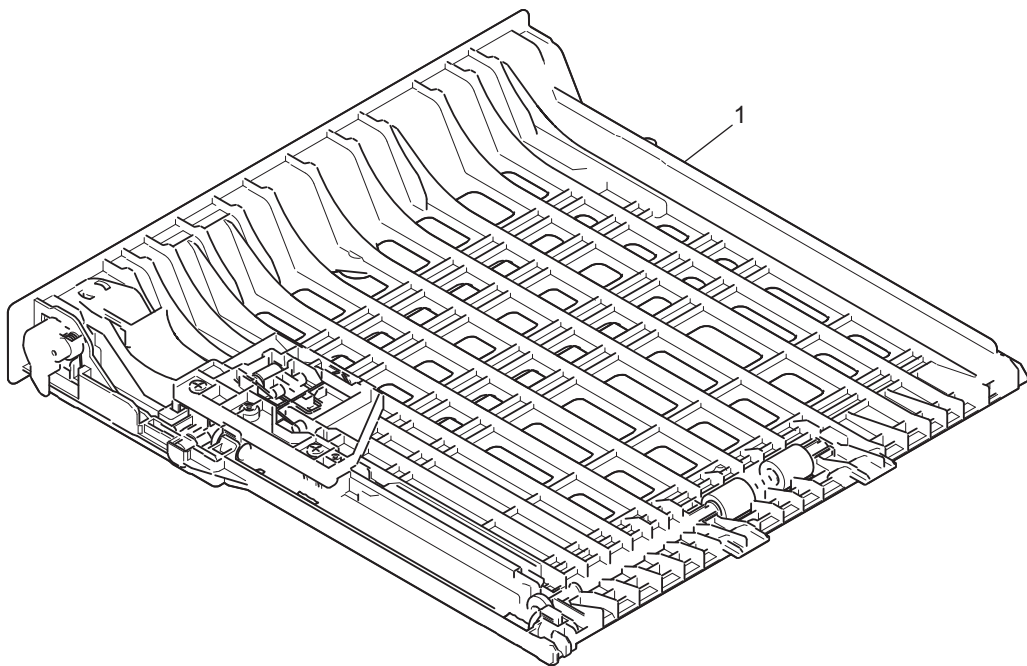
| REF No. | CODE | Q'TY | DESCRIPTION | MODEL | SPEC | REMARKS |
|---------|-----------|------|------------------------|--------------|------|---------|
| 1 | D002ZC001 | 1 | LASER UNIT (SP) | DCP-L5500D | | |
| 1 | D002ZC001 | 1 | LASER UNIT (SP) | DCP-L5500DN | | |
| 1 | D002ZC001 | 1 | LASER UNIT (SP) | DCP-L5502DN | | |
| 1 | D002ZC001 | 1 | LASER UNIT (SP) | DCP-L5600DN | | |
| 1 | D002ZC001 | 1 | LASER UNIT (SP) | DCP-L5602DN | | |
| 1 | D002ZC001 | 1 | LASER UNIT (SP) | DCP-L5650DN | | |
| 1 | D002ZC001 | 1 | LASER UNIT (SP) | DCP-L5652DN | | |
| 1 | D002ZG001 | 1 | LASER UNIT (SP) | DCP-L6600DW | | |
| 1 | D002ZC001 | 1 | LASER UNIT (SP) | MFC-8530DN | | |
| 1 | D002ZC001 | 1 | LASER UNIT (SP) | MFC-8535DN | | |
| 1 | D002ZC001 | 1 | LASER UNIT (SP) | MFC-8540DN | | |
| 1 | D002ZC001 | 1 | LASER UNIT (SP) | MFC-L5700DN | | |
| 1 | D002ZC001 | 1 | LASER UNIT (SP) | MFC-L5700DW | | |
| 1 | D002ZC001 | 1 | LASER UNIT (SP) | MFC-L5702DW | | |
| 1 | D002ZC001 | 1 | LASER UNIT (SP) | MFC-L5750DW | | |
| 1 | D002ZC001 | 1 | LASER UNIT (SP) | MFC-L5755DW | | |
| 1 | D002ZC001 | 1 | LASER UNIT (SP) | MFC-L5800DW | | |
| 1 | D002ZC001 | 1 | LASER UNIT (SP) | MFC-L5802DW | | |
| 1 | D002ZC001 | 1 | LASER UNIT (SP) | MFC-L5850DW | | |
| 1 | D002ZC001 | 1 | LASER UNIT (SP) | MFC-L5900DW | | |
| 1 | D002ZC001 | 1 | LASER UNIT (SP) | MFC-L5902DW | | |
| 1 | D002ZG001 | 1 | LASER UNIT (SP) | MFC-L6700DW | | |
| 1 | D002ZG001 | 1 | LASER UNIT (SP) | MFC-L6702DW | | |
| 1 | D002ZG001 | 1 | LASER UNIT (SP) | MFC-L6750DW | | |
| 1 | D002ZG001 | 1 | LASER UNIT (SP) | MFC-L6800DW | | |
| 1 | D002ZG001 | 1 | LASER UNIT (SP) | MFC-L6900DW | | |
| 1 | D002ZG001 | 1 | LASER UNIT (SP) | MFC-L6900DWG | | |
| 1 | D002ZG001 | 1 | LASER UNIT (SP) | MFC-L6900DWX | | |
| 1 | D002ZG001 | 1 | LASER UNIT (SP) | MFC-L6902DW | | |
| 1 | D002ZG001 | 1 | LASER UNIT (SP) | MFC-L6950DW | | |
| 1 | D002ZG001 | 1 | LASER UNIT (SP) | MFC-L6970DW | | |
| 2 | D00010001 | 1 | FFC HARNESS MAIN-LD DL | | | |

5. PAPER FEEDER



5. PAPER FEEDER

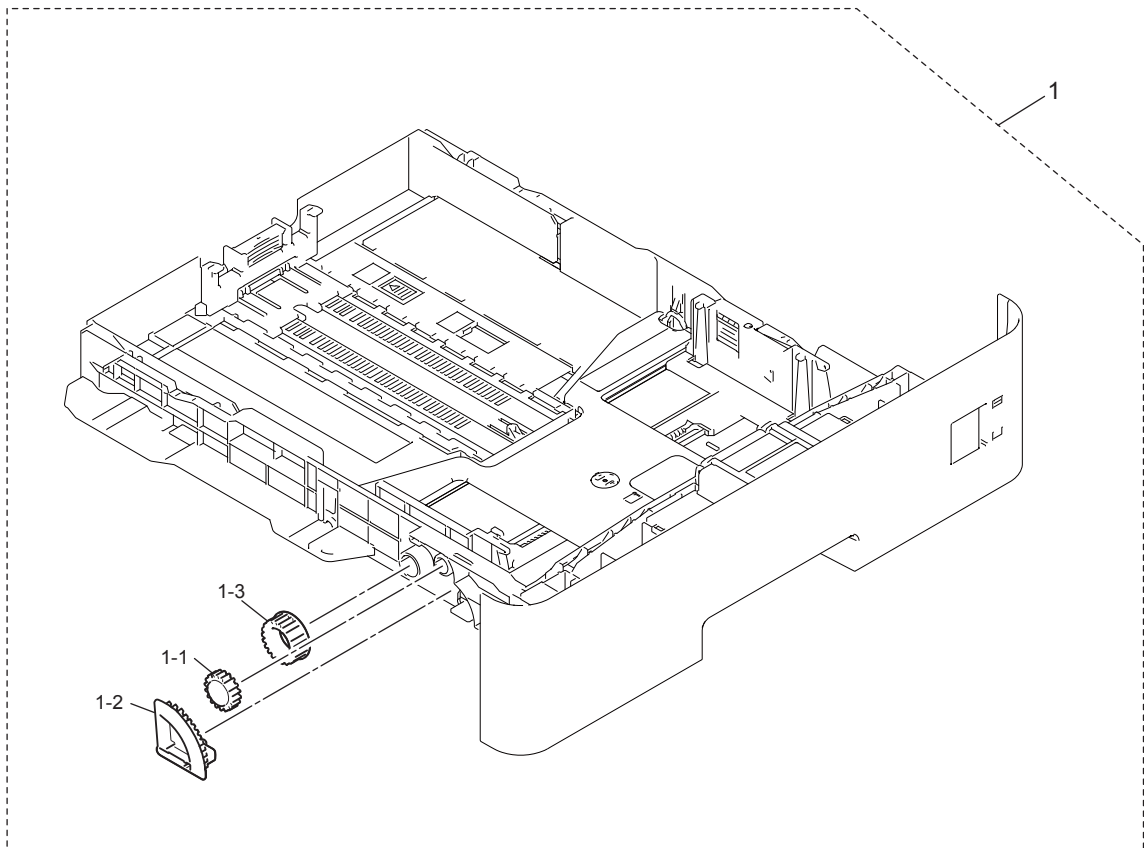
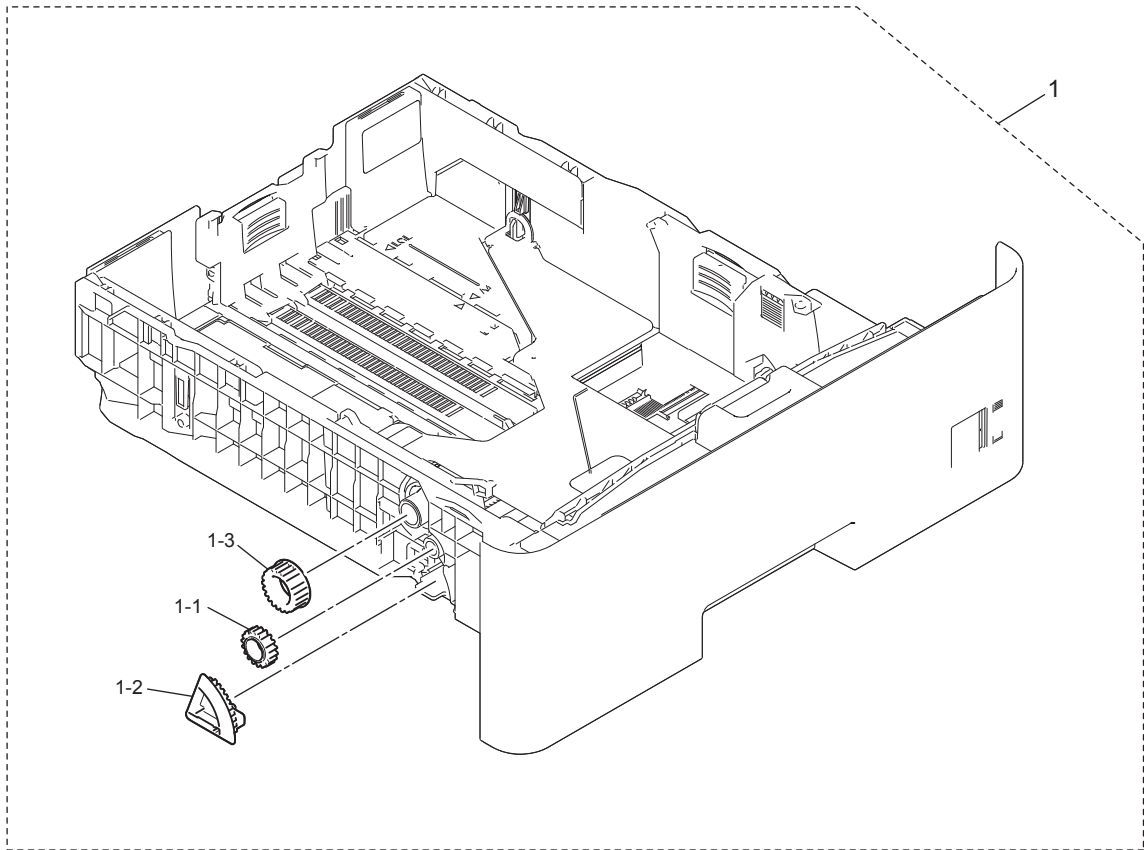
| REF No. | CODE | Q'TY | DESCRIPTION | MODEL | SPEC | REMARKS |
|---------|-----------|------|--|--------------|------|---------|
| 1 | LV0789001 | 1 | MP PAPER EMPTY SENSOR PCB ASSY | | | |
| 2 | D00510001 | 1 | REGISTRATION FRONT/REAR SENSOR PCB ASSY | | | |
| 3 | D001CW001 | 1 | PAPER EMPTY SENSOR PCB ASSY | DCP-L6600DW | | |
| 3 | D001CW001 | 1 | PAPER EMPTY SENSOR PCB ASSY | MFC-L6800DW | | |
| 3 | D001CW001 | 1 | PAPER EMPTY SENSOR PCB ASSY | MFC-L6900DW | | |
| 3 | D001CW001 | 1 | PAPER EMPTY SENSOR PCB ASSY | MFC-L6900DWG | | |
| 3 | D001CW001 | 1 | PAPER EMPTY SENSOR PCB ASSY | MFC-L6900DWX | | |
| 3 | D001CW001 | 1 | PAPER EMPTY SENSOR PCB ASSY | MFC-L6902DW | | |
| 3 | D001CW001 | 1 | PAPER EMPTY SENSOR PCB ASSY | MFC-L6950DW | | |
| 3 | D001CW001 | 1 | PAPER EMPTY SENSOR PCB ASSY | MFC-L6970DW | | |
| 4 | D005KT001 | 1 | EJECT SENSOR PCB ASSY | | | |



6. DX

| REF No. | CODE | Q'TY | DESCRIPTION | MODEL | SPEC | REMARKS |
|---------|-----------|------|----------------------------|--------------|---|---------|
| 1 | D008UK001 | 1 | DUPLEX TRAY UNIVERSAL (SP) | DCP-L5500D | | |
| 1 | D008UJ001 | 1 | DUPLEX TRAY LTR (SP) | DCP-L5500DN | FOR USA | |
| 1 | D008UG001 | 1 | DUPLEX TRAY A4 (SP) | DCP-L5500DN | FOR GER/UK/SWI/ITA/IBE/RUS/ FRA/BEL/NLD/PND/CEE/ITA | |
| 1 | D008UK001 | 1 | DUPLEX TRAY UNIVERSAL (SP) | DCP-L5502DN | | |
| 1 | D008UJ001 | 1 | DUPLEX TRAY LTR (SP) | DCP-L5600DN | FOR USA | |
| 1 | D008UK001 | 1 | DUPLEX TRAY UNIVERSAL (SP) | DCP-L5600DN | FOR ARG/ASA/IND | |
| 1 | D008UK001 | 1 | DUPLEX TRAY UNIVERSAL (SP) | DCP-L5602DN | | |
| 1 | D008UJ001 | 1 | DUPLEX TRAY LTR (SP) | DCP-L5650DN | FOR USA | |
| 1 | D008UK001 | 1 | DUPLEX TRAY UNIVERSAL (SP) | DCP-L5650DN | FOR ARG/CHL | |
| 1 | D008UK001 | 1 | DUPLEX TRAY UNIVERSAL (SP) | DCP-L5652DN | | |
| 1 | D008UG002 | 1 | DUPLEX TRAY A4 (SP) | DCP-L6600DW | FOR GER/UK/SWI/ITA/IBE/ISR/ RUS/PND/CEE/GEN | |
| 1 | D008UK002 | 1 | DUPLEX TRAY UNIVERSAL (SP) | DCP-L6600DW | FOR ARG | |
| 1 | D008UH001 | 1 | DUPLEX TRAY A4 CHN (SP) | MFC-8530DN | | |
| 1 | D008UH001 | 1 | DUPLEX TRAY A4 CHN (SP) | MFC-8535DN | | |
| 1 | D008UH001 | 1 | DUPLEX TRAY A4 CHN (SP) | MFC-8540DN | | |
| 1 | D008UG001 | 1 | DUPLEX TRAY A4 (SP) | MFC-L5700DN | FOR GER/UK/SWI/ITA/IBE/KOR/ RUS/FRA/BEL/NLD/PND/CEE | |
| 1 | D008UK001 | 1 | DUPLEX TRAY UNIVERSAL (SP) | MFC-L5700DN | FOR TWN/ASA/GULF | CHG |
| 1 | D008UJ001 | 1 | DUPLEX TRAY LTR (SP) | MFC-L5700DW | FOR USA/CAN | |
| 1 | D008UG001 | 1 | DUPLEX TRAY A4 (SP) | MFC-L5700DW | FOR KOR | |
| 1 | D008UK001 | 1 | DUPLEX TRAY UNIVERSAL (SP) | MFC-L5702DW | | |
| 1 | D008UG001 | 1 | DUPLEX TRAY A4 (SP) | MFC-L5750DW | | |
| 1 | D008UG001 | 1 | DUPLEX TRAY A4 (SP) | MFC-L5755DW | FOR ARL/NZ | |
| 1 | D008UK001 | 1 | DUPLEX TRAY UNIVERSAL (SP) | MFC-L5755DW | FOR GULF | |
| 1 | D008UJ001 | 1 | DUPLEX TRAY LTR (SP) | MFC-L5800DW | FOR USA/CAN | |
| 1 | D008UK001 | 1 | DUPLEX TRAY UNIVERSAL (SP) | MFC-L5800DW | FOR ARG | |
| 1 | D008UK001 | 1 | DUPLEX TRAY UNIVERSAL (SP) | MFC-L5802DW | | |
| 1 | D008UJ001 | 1 | DUPLEX TRAY LTR (SP) | MFC-L5850DW | | |
| 1 | D008UJ001 | 1 | DUPLEX TRAY LTR (SP) | MFC-L5900DW | FOR USA/CAN | |
| 1 | D008UK001 | 1 | DUPLEX TRAY UNIVERSAL (SP) | MFC-L5900DW | FOR CHL/ASA/GULF/IND | |
| 1 | D008UK001 | 1 | DUPLEX TRAY UNIVERSAL (SP) | MFC-L5902DW | | |
| 1 | D008UJ001 | 1 | DUPLEX TRAY LTR (SP) | MFC-L6700DW | FOR USA/CAN/MEX | |
| 1 | D008UG001 | 1 | DUPLEX TRAY A4 (SP) | MFC-L6700DW | FOR ARL/NZ | |
| 1 | D008UK001 | 1 | DUPLEX TRAY UNIVERSAL (SP) | MFC-L6700DW | FOR CHL/GULF | |
| 1 | D008UK001 | 1 | DUPLEX TRAY UNIVERSAL (SP) | MFC-L6702DW | | |
| 1 | D008UJ002 | 1 | DUPLEX TRAY LTR (SP) | MFC-L6750DW | | |
| 1 | D008UJ001 | 1 | DUPLEX TRAY LTR (SP) | MFC-L6800DW | FOR USA | |
| 1 | D008UG002 | 1 | DUPLEX TRAY A4 (SP) | MFC-L6800DW | FOR GER/UK/SWI/ITA/IBE/ISR/ RUS/PND/CEE/GEN/ITA_CONSIP | |
| 1 | D008UJ002 | 1 | DUPLEX TRAY LTR (SP) | MFC-L6900DW | FOR USA/CAN/MEX | |
| 1 | D008UG002 | 1 | DUPLEX TRAY A4 (SP) | MFC-L6900DW | FOR GER/UK/ARL/SWI/ITA/IBE/ ISR/NZ/KOR/RUS/PND/CEE/GEN | |
| 1 | D008UK002 | 1 | DUPLEX TRAY UNIVERSAL (SP) | MFC-L6900DW | FOR TWN/ARG/CHL/ASA/GULF | CHG |
| 1 | D008UJ002 | 1 | DUPLEX TRAY LTR (SP) | MFC-L6900DWG | | |
| 1 | D008UJ002 | 1 | DUPLEX TRAY LTR (SP) | MFC-L6900DWX | | |
| 1 | D008UK002 | 1 | DUPLEX TRAY UNIVERSAL (SP) | MFC-L6902DW | | |
| 1 | D008UG002 | 1 | DUPLEX TRAY A4 (SP) | MFC-L6950DW | | |
| 1 | D008UG002 | 1 | DUPLEX TRAY A4 (SP) | MFC-L6970DW | | |

7. PAPER CASSETTE



7. PAPER CASSETTE

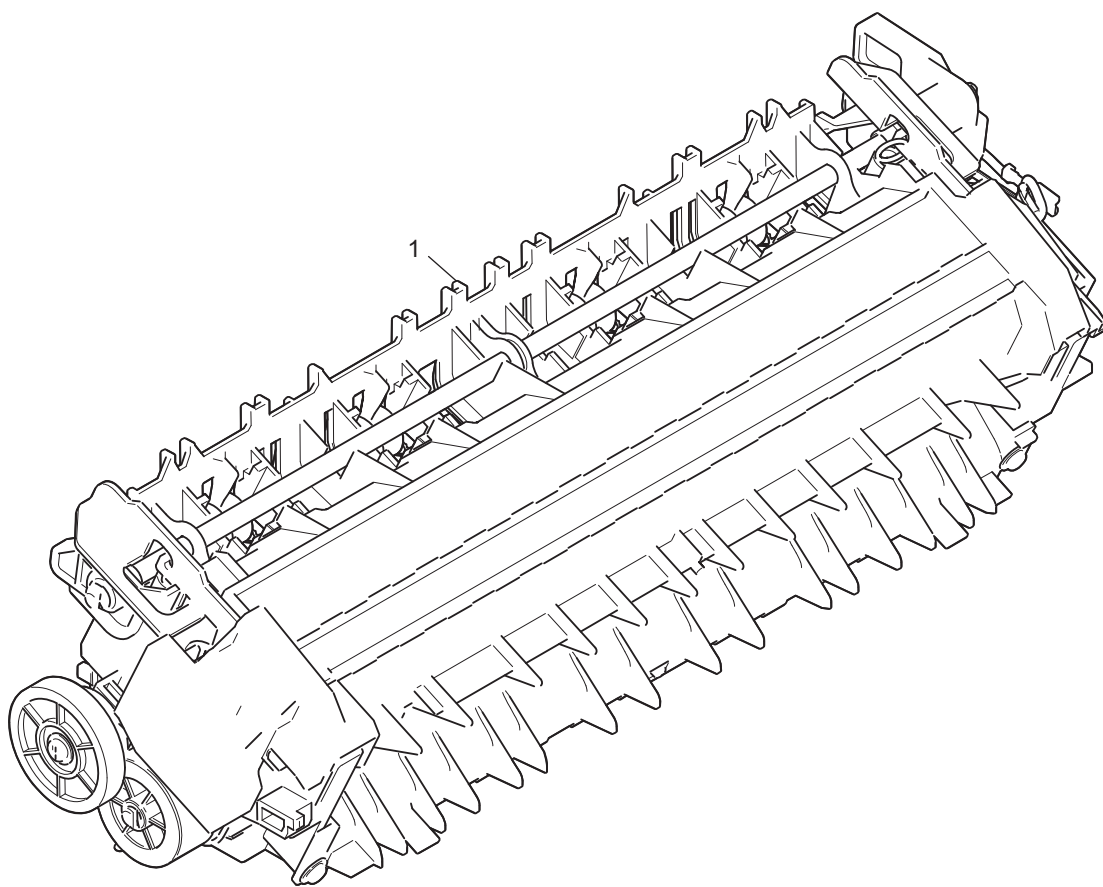
| REF No. | CODE | Q'TY | DESCRIPTION | MODEL | SPEC | REMARKS |
|---------|-----------|------|---------------------|--------------|------|---------|
| 1 | D00551001 | 1 | PAPER TRAY (SP) | DCP-L5500D | | |
| 1 | D00551001 | 1 | PAPER TRAY (SP) | DCP-L5500DN | | |
| 1 | D00551001 | 1 | PAPER TRAY (SP) | DCP-L5502DN | | |
| 1 | D00551001 | 1 | PAPER TRAY (SP) | DCP-L5600DN | | |
| 1 | D00551001 | 1 | PAPER TRAY (SP) | DCP-L5602DN | | |
| 1 | D00551001 | 1 | PAPER TRAY (SP) | DCP-L5650DN | | |
| 1 | D00551001 | 1 | PAPER TRAY (SP) | DCP-L5652DN | | |
| 1 | D00690002 | 1 | PAPER TRAY (SP) | DCP-L6600DW | | |
| 1 | D008XD001 | 1 | PAPER TRAY (SP) | MFC-8530DN | | |
| 1 | D008XD001 | 1 | PAPER TRAY (SP) | MFC-8535DN | | |
| 1 | D008XD001 | 1 | PAPER TRAY (SP) | MFC-8540DN | | |
| 1 | D00551001 | 1 | PAPER TRAY (SP) | MFC-L5700DN | | |
| 1 | D00551001 | 1 | PAPER TRAY (SP) | MFC-L5700DW | | |
| 1 | D00551001 | 1 | PAPER TRAY (SP) | MFC-L5702DW | | |
| 1 | D00551001 | 1 | PAPER TRAY (SP) | MFC-L5750DW | | |
| 1 | D00551001 | 1 | PAPER TRAY (SP) | MFC-L5755DW | | |
| 1 | D00551001 | 1 | PAPER TRAY (SP) | MFC-L5800DW | | |
| 1 | D00551001 | 1 | PAPER TRAY (SP) | MFC-L5802DW | | |
| 1 | D00551001 | 1 | PAPER TRAY (SP) | MFC-L5850DW | | |
| 1 | D00551001 | 1 | PAPER TRAY (SP) | MFC-L5900DW | | |
| 1 | D00551001 | 1 | PAPER TRAY (SP) | MFC-L5902DW | | |
| 1 | D00690001 | 1 | PAPER TRAY (SP) | MFC-L6700DW | | |
| 1 | D00690001 | 1 | PAPER TRAY (SP) | MFC-L6702DW | | |
| 1 | D00690002 | 1 | PAPER TRAY (SP) | MFC-L6750DW | | |
| 1 | D00690001 | 1 | PAPER TRAY (SP) | MFC-L6800DW | | |
| 1 | D00690002 | 1 | PAPER TRAY (SP) | MFC-L6800DW | | |
| 1 | D00690002 | 1 | PAPER TRAY (SP) | MFC-L6900DW | | |
| 1 | D00690002 | 1 | PAPER TRAY (SP) | MFC-L6900DWG | | |
| 1 | D00690002 | 1 | PAPER TRAY (SP) | MFC-L6900DWX | | |
| 1 | D00690002 | 1 | PAPER TRAY (SP) | MFC-L6902DW | | |
| 1 | D00690002 | 1 | PAPER TRAY (SP) | MFC-L6950DW | | |
| 1 | D00690002 | 1 | PAPER TRAY (SP) | MFC-L6970DW | | |
| 1-1 | LY4242001 | 1 | IDLE GEAR Z18M10 | DCP-L5500D | | |
| 1-1 | LY4242001 | 1 | IDLE GEAR Z18M10 | DCP-L5500DN | | |
| 1-1 | LY4242001 | 1 | IDLE GEAR Z18M10 | DCP-L5502DN | | |
| 1-1 | LY4242001 | 1 | IDLE GEAR Z18M10 | DCP-L5600DN | | |
| 1-1 | LY4242001 | 1 | IDLE GEAR Z18M10 | DCP-L5602DN | | |
| 1-1 | LY4242001 | 1 | IDLE GEAR Z18M10 | DCP-L5650DN | | |
| 1-1 | LY4242001 | 1 | IDLE GEAR Z18M10 | DCP-L5652DN | | |
| 1-1 | LU9365001 | 1 | IDLE GEAR 50 Z18M10 | DCP-L6600DW | | |
| 1-1 | LY4242001 | 1 | IDLE GEAR Z18M10 | MFC-8530DN | | |
| 1-1 | LY4242001 | 1 | IDLE GEAR Z18M10 | MFC-8535DN | | |
| 1-1 | LY4242001 | 1 | IDLE GEAR Z18M10 | MFC-8540DN | | |
| 1-1 | LY4242001 | 1 | IDLE GEAR Z18M10 | MFC-L5700DN | | |
| 1-1 | LY4242001 | 1 | IDLE GEAR Z18M10 | MFC-L5700DW | | |
| 1-1 | LY4242001 | 1 | IDLE GEAR Z18M10 | MFC-L5702DW | | |
| 1-1 | LY4242001 | 1 | IDLE GEAR Z18M10 | MFC-L5750DW | | |
| 1-1 | LY4242001 | 1 | IDLE GEAR Z18M10 | MFC-L5755DW | | |
| 1-1 | LY4242001 | 1 | IDLE GEAR Z18M10 | MFC-L5800DW | | |
| 1-1 | LY4242001 | 1 | IDLE GEAR Z18M10 | MFC-L5802DW | | |
| 1-1 | LY4242001 | 1 | IDLE GEAR Z18M10 | MFC-L5850DW | | |
| 1-1 | LY4242001 | 1 | IDLE GEAR Z18M10 | MFC-L5900DW | | |
| 1-1 | LY4242001 | 1 | IDLE GEAR Z18M10 | MFC-L5902DW | | |
| 1-1 | LU9365001 | 1 | IDLE GEAR 50 Z18M10 | MFC-L6700DW | | |
| 1-1 | LU9365001 | 1 | IDLE GEAR 50 Z18M10 | MFC-L6702DW | | |
| 1-1 | LU9365001 | 1 | IDLE GEAR 50 Z18M10 | MFC-L6750DW | | |
| 1-1 | LU9365001 | 1 | IDLE GEAR 50 Z18M10 | MFC-L6800DW | | |
| 1-1 | LU9365001 | 1 | IDLE GEAR 50 Z18M10 | MFC-L6900DW | | |
| 1-1 | LU9365001 | 1 | IDLE GEAR 50 Z18M10 | MFC-L6900DWG | | |
| 1-1 | LU9365001 | 1 | IDLE GEAR 50 Z18M10 | MFC-L6900DWX | | |
| 1-1 | LU9365001 | 1 | IDLE GEAR 50 Z18M10 | MFC-L6902DW | | |
| 1-1 | LU9365001 | 1 | IDLE GEAR 50 Z18M10 | MFC-L6950DW | | |
| 1-1 | LU9365001 | 1 | IDLE GEAR 50 Z18M10 | MFC-L6970DW | | |
| 1-2 | LY4241001 | 1 | LIFT GEAR Z27M10 | DCP-L5500D | | |
| 1-2 | LY4241001 | 1 | LIFT GEAR Z27M10 | DCP-L5500DN | | |
| 1-2 | LY4241001 | 1 | LIFT GEAR Z27M10 | DCP-L5502DN | | |
| 1-2 | LY4241001 | 1 | LIFT GEAR Z27M10 | DCP-L5600DN | | |

FOR USA
FOR GER/UK/SWI/ITA/IBE/ISR/
RUS/PND/CEE/GEN/ITA_CONSIP

7. PAPER CASSETTE

| REF No. | CODE | Q'TY | DESCRIPTION | MODEL | SPEC | REMARKS |
|---------|-----------|------|------------------|--------------|------|---------|
| 1-2 | LY4241001 | 1 | LIFT GEAR Z27M10 | DCP-L5602DN | | |
| 1-2 | LY4241001 | 1 | LIFT GEAR Z27M10 | DCP-L5650DN | | |
| 1-2 | LY4241001 | 1 | LIFT GEAR Z27M10 | DCP-L5652DN | | |
| 1-2 | LY4516001 | 1 | LIFT GEAR Z48M10 | DCP-L6600DW | | |
| 1-2 | LY4241001 | 1 | LIFT GEAR Z27M10 | MFC-8530DN | | |
| 1-2 | LY4241001 | 1 | LIFT GEAR Z27M10 | MFC-8535DN | | |
| 1-2 | LY4241001 | 1 | LIFT GEAR Z27M10 | MFC-8540DN | | |
| 1-2 | LY4241001 | 1 | LIFT GEAR Z27M10 | MFC-L5700DN | | |
| 1-2 | LY4241001 | 1 | LIFT GEAR Z27M10 | MFC-L5700DW | | |
| 1-2 | LY4241001 | 1 | LIFT GEAR Z27M10 | MFC-L5702DW | | |
| 1-2 | LY4241001 | 1 | LIFT GEAR Z27M10 | MFC-L5750DW | | |
| 1-2 | LY4241001 | 1 | LIFT GEAR Z27M10 | MFC-L5755DW | | |
| 1-2 | LY4241001 | 1 | LIFT GEAR Z27M10 | MFC-L5800DW | | |
| 1-2 | LY4241001 | 1 | LIFT GEAR Z27M10 | MFC-L5802DW | | |
| 1-2 | LY4241001 | 1 | LIFT GEAR Z27M10 | MFC-L5850DW | | |
| 1-2 | LY4241001 | 1 | LIFT GEAR Z27M10 | MFC-L5900DW | | |
| 1-2 | LY4241001 | 1 | LIFT GEAR Z27M10 | MFC-L5902DW | | |
| 1-2 | LY4516001 | 1 | LIFT GEAR Z48M10 | MFC-L6700DW | | |
| 1-2 | LY4516001 | 1 | LIFT GEAR Z48M10 | MFC-L6702DW | | |
| 1-2 | LY4516001 | 1 | LIFT GEAR Z48M10 | MFC-L6750DW | | |
| 1-2 | LY4516001 | 1 | LIFT GEAR Z48M10 | MFC-L6800DW | | |
| 1-2 | LY4516001 | 1 | LIFT GEAR Z48M10 | MFC-L6900DW | | |
| 1-2 | LY4516001 | 1 | LIFT GEAR Z48M10 | MFC-L6900DWG | | |
| 1-2 | LY4516001 | 1 | LIFT GEAR Z48M10 | MFC-L6900DWX | | |
| 1-2 | LY4516001 | 1 | LIFT GEAR Z48M10 | MFC-L6902DW | | |
| 1-2 | LY4516001 | 1 | LIFT GEAR Z48M10 | MFC-L6950DW | | |
| 1-2 | LY4516001 | 1 | LIFT GEAR Z48M10 | MFC-L6970DW | | |
| 1-3 | LY4243001 | 1 | GEAR Z22M10 | DCP-L5500D | | |
| 1-3 | LY4243001 | 1 | GEAR Z22M10 | DCP-L5500DN | | |
| 1-3 | LY4243001 | 1 | GEAR Z22M10 | DCP-L5502DN | | |
| 1-3 | LY4243001 | 1 | GEAR Z22M10 | DCP-L5600DN | | |
| 1-3 | LY4243001 | 1 | GEAR Z22M10 | DCP-L5602DN | | |
| 1-3 | LY4243001 | 1 | GEAR Z22M10 | DCP-L5650DN | | |
| 1-3 | LY4243001 | 1 | GEAR Z22M10 | DCP-L5652DN | | |
| 1-3 | LY4243001 | 1 | GEAR Z22M10 | DCP-L6600DW | | |
| 1-3 | LY4243001 | 1 | GEAR Z22M10 | MFC-8530DN | | |
| 1-3 | LY4243001 | 1 | GEAR Z22M10 | MFC-8535DN | | |
| 1-3 | LY4243001 | 1 | GEAR Z22M10 | MFC-8540DN | | |
| 1-3 | LY4243001 | 1 | GEAR Z22M10 | MFC-L5700DN | | |
| 1-3 | LY4243001 | 1 | GEAR Z22M10 | MFC-L5700DW | | |
| 1-3 | LY4243001 | 1 | GEAR Z22M10 | MFC-L5702DW | | |
| 1-3 | LY4243001 | 1 | GEAR Z22M10 | MFC-L5750DW | | |
| 1-3 | LY4243001 | 1 | GEAR Z22M10 | MFC-L5755DW | | |
| 1-3 | LY4243001 | 1 | GEAR Z22M10 | MFC-L5800DW | | |
| 1-3 | LY4243001 | 1 | GEAR Z22M10 | MFC-L5802DW | | |
| 1-3 | LY4243001 | 1 | GEAR Z22M10 | MFC-L5850DW | | |
| 1-3 | LY4243001 | 1 | GEAR Z22M10 | MFC-L5900DW | | |
| 1-3 | LY4243001 | 1 | GEAR Z22M10 | MFC-L5902DW | | |
| 1-3 | LY4243001 | 1 | GEAR Z22M10 | MFC-L6700DW | | |
| 1-3 | LY4243001 | 1 | GEAR Z22M10 | MFC-L6702DW | | |
| 1-3 | LY4243001 | 1 | GEAR Z22M10 | MFC-L6750DW | | |
| 1-3 | LY4243001 | 1 | GEAR Z22M10 | MFC-L6800DW | | |
| 1-3 | LY4243001 | 1 | GEAR Z22M10 | MFC-L6900DW | | |
| 1-3 | LY4243001 | 1 | GEAR Z22M10 | MFC-L6900DWG | | |
| 1-3 | LY4243001 | 1 | GEAR Z22M10 | MFC-L6902DW | | |
| 1-3 | LY4243001 | 1 | GEAR Z22M10 | MFC-L6950DW | | |
| 1-3 | LY4243001 | 1 | GEAR Z22M10 | MFC-L6970DW | | |

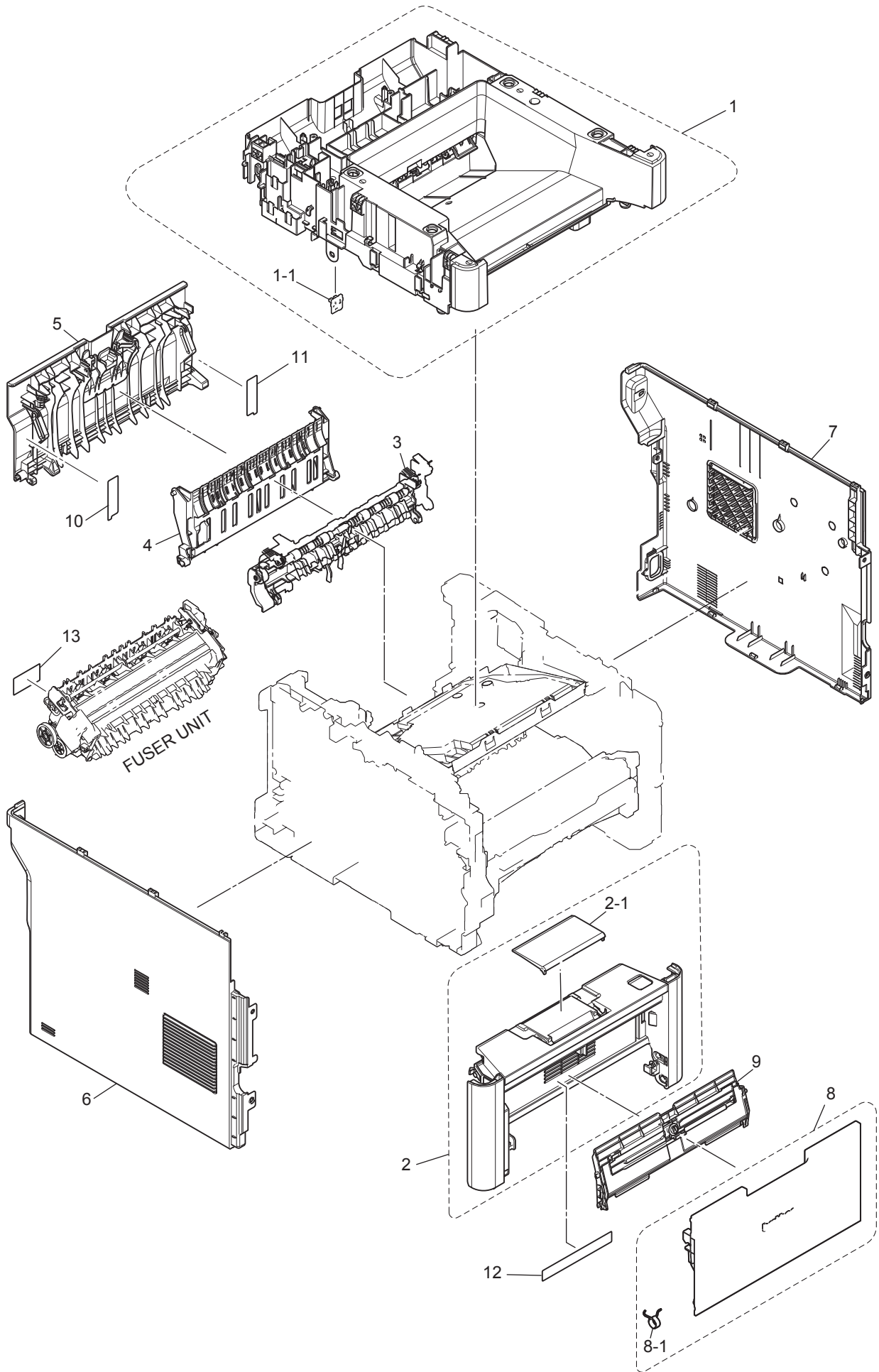
8. FUSER UNIT



8. FUSER UNIT

| REF No. | CODE | Q'TY | DESCRIPTION | MODEL | SPEC | REMARKS |
|---------|-----------|------|-----------------|--------------|---|---------|
| 1 | D00V9P001 | 1 | FUSER UNIT (SP) | DCP-L5500D | | CHG |
| 1 | D00V9H001 | 1 | FUSER UNIT (SP) | DCP-L5500DN | FOR USA | CHG |
| 1 | D00V9P001 | 1 | FUSER UNIT (SP) | DCP-L5500DN | FOR GER/UK/SWI/ITA/IBE/RUS/ FRA/BEL/NLD/PND/CEE/ITA | CHG |
| 1 | D00V9Z001 | 1 | FUSER UNIT (SP) | DCP-L5502DN | | CHG |
| 1 | D00V9H001 | 1 | FUSER UNIT (SP) | DCP-L5600DN | FOR USA | CHG |
| 1 | D00V9P001 | 1 | FUSER UNIT (SP) | DCP-L5600DN | FOR ARG/ASA/IND | CHG |
| 1 | D00V9Z001 | 1 | FUSER UNIT (SP) | DCP-L5602DN | | CHG |
| 1 | D00V9H001 | 1 | FUSER UNIT (SP) | DCP-L5650DN | FOR USA | CHG |
| 1 | D00V9P001 | 1 | FUSER UNIT (SP) | DCP-L5650DN | FOR ARG/CHL | CHG |
| 1 | D00V9Z001 | 1 | FUSER UNIT (SP) | DCP-L5652DN | | CHG |
| 1 | D00V9U001 | 1 | FUSER UNIT (SP) | DCP-L6600DW | FOR GER/UK/SWI/ITA/IBE/ISR/ RUS/PND/CEE/GEN | CHG |
| 1 | D00V9T001 | 1 | FUSER UNIT (SP) | DCP-L6600DW | FOR ARG | CHG |
| 1 | D00V9P001 | 1 | FUSER UNIT (SP) | MFC-8530DN | | CHG |
| 1 | D00V9P001 | 1 | FUSER UNIT (SP) | MFC-8535DN | | CHG |
| 1 | D00V9P001 | 1 | FUSER UNIT (SP) | MFC-8540DN | | CHG |
| 1 | D00V9P001 | 1 | FUSER UNIT (SP) | MFC-L5700DN | FOR GER/UK/SWI/ITA/IBE/ASA/ GULF/KOR/RUS/FRA/BEL/NLD/ PND/CEE | CHG |
| 1 | D00V9H001 | 1 | FUSER UNIT (SP) | MFC-L5700DN | FOR TWN | CHG |
| 1 | D00V9H001 | 1 | FUSER UNIT (SP) | MFC-L5700DW | FOR USA/CAN | CHG |
| 1 | D00V9P001 | 1 | FUSER UNIT (SP) | MFC-L5700DW | FOR KOR | CHG |
| 1 | D00V9Z001 | 1 | FUSER UNIT (SP) | MFC-L5702DW | | CHG |
| 1 | D00V9P001 | 1 | FUSER UNIT (SP) | MFC-L5750DW | | CHG |
| 1 | D00V9P001 | 1 | FUSER UNIT (SP) | MFC-L5755DW | | CHG |
| 1 | D00V9H001 | 1 | FUSER UNIT (SP) | MFC-L5800DW | FOR USA/CAN | CHG |
| 1 | D00V9P001 | 1 | FUSER UNIT (SP) | MFC-L5800DW | FOR ARG | CHG |
| 1 | D00V9Z001 | 1 | FUSER UNIT (SP) | MFC-L5802DW | | CHG |
| 1 | D00V9H001 | 1 | FUSER UNIT (SP) | MFC-L5850DW | | CHG |
| 1 | D00V9H001 | 1 | FUSER UNIT (SP) | MFC-L5900DW | FOR USA/CAN | CHG |
| 1 | D00V9P001 | 1 | FUSER UNIT (SP) | MFC-L5900DW | FOR CHL/ASA/GULF/IND | CHG |
| 1 | D00V9Z001 | 1 | FUSER UNIT (SP) | MFC-L5902DW | | CHG |
| 1 | D00V9L001 | 1 | FUSER UNIT (SP) | MFC-L6700DW | FOR USA/CAN | CHG |
| 1 | D00V9T001 | 1 | FUSER UNIT (SP) | MFC-L6700DW | FOR ARL/NZ/CHL/GULF | CHG |
| 1 | D00V9L001 | 1 | FUSER UNIT (SP) | MFC-L6700DW | FOR MEX | |
| 1 | D00V9X001 | 1 | FUSER UNIT (SP) | MFC-L6702DW | | CHG |
| 1 | D00V9L001 | 1 | FUSER UNIT (SP) | MFC-L6750DW | | CHG |
| 1 | D00V9L001 | 1 | FUSER UNIT (SP) | MFC-L6800DW | FOR USA | CHG |
| 1 | D00V9U001 | 1 | FUSER UNIT (SP) | MFC-L6800DW | FOR GER/UK/SWI/ITA/IBE/ISR/ RUS/PND/CEE/GEN/ITA_CONSIP | CHG |
| 1 | D00V9L001 | 1 | FUSER UNIT (SP) | MFC-L6900DW | FOR USA/CAN/TWN | CHG |
| 1 | D00V9U001 | 1 | FUSER UNIT (SP) | MFC-L6900DW | FOR GER/UK/SWI/ITA/IBE/ISR/ RUS/PND/CEE/GEN | CHG |
| 1 | D00V9T001 | 1 | FUSER UNIT (SP) | MFC-L6900DW | FOR ARL/NZ/ARG/CHL/ASA/GULF/ KOR | CHG |
| 1 | D00V9L001 | 1 | FUSER UNIT (SP) | MFC-L6900DW | FOR MEX | |
| 1 | D00V9L001 | 1 | FUSER UNIT (SP) | MFC-L6900DWG | | CHG |
| 1 | D00V9L001 | 1 | FUSER UNIT (SP) | MFC-L6900DWX | | CHG |
| 1 | D00V9X001 | 1 | FUSER UNIT (SP) | MFC-L6902DW | | CHG |
| 1 | D00V9U001 | 1 | FUSER UNIT (SP) | MFC-L6950DW | | CHG |
| 1 | D00V9U001 | 1 | FUSER UNIT (SP) | MFC-L6970DW | | CHG |

9. COVERS & LABELS



9. COVERS & LABELS

| REF No. | CODE | Q'TY | DESCRIPTION | MODEL | SPEC | REMARKS |
|---------|-----------|------|----------------------------|--------------|---|---------|
| 1 | D008U3001 | 1 | JOINT COVER ASSY DLFB (SP) | DCP-L5500D | | |
| 1 | D008U3001 | 1 | JOINT COVER ASSY DLFB (SP) | DCP-L5500DN | | |
| 1 | D008U3001 | 1 | JOINT COVER ASSY DLFB (SP) | DCP-L5502DN | | |
| 1 | D008U3001 | 1 | JOINT COVER ASSY DLFB (SP) | DCP-L5600DN | | |
| 1 | D008U3001 | 1 | JOINT COVER ASSY DLFB (SP) | DCP-L5602DN | | |
| 1 | D008U3001 | 1 | JOINT COVER ASSY DLFB (SP) | DCP-L5650DN | | |
| 1 | D008U3001 | 1 | JOINT COVER ASSY DLFB (SP) | DCP-L5652DN | | |
| 1 | D00AVG001 | 1 | JOINT COVER ASSY DLFB (SP) | DCP-L6600DW | | chg |
| 1 | D008U9001 | 1 | JOINT COVER ASSY DLFB (SP) | MFC-8530DN | | |
| 1 | D008U9001 | 1 | JOINT COVER ASSY DLFB (SP) | MFC-8535DN | | |
| 1 | D008U9001 | 1 | JOINT COVER ASSY DLFB (SP) | MFC-8540DN | | |
| 1 | D008U9001 | 1 | JOINT COVER ASSY DLFB (SP) | MFC-L5700DN | | |
| 1 | D008U9001 | 1 | JOINT COVER ASSY DLFB (SP) | MFC-L5700DW | | |
| 1 | D008U9001 | 1 | JOINT COVER ASSY DLFB (SP) | MFC-L5702DW | | |
| 1 | D008U9001 | 1 | JOINT COVER ASSY DLFB (SP) | MFC-L5750DW | | |
| 1 | D008U9001 | 1 | JOINT COVER ASSY DLFB (SP) | MFC-L5755DW | | |
| 1 | D008U9001 | 1 | JOINT COVER ASSY DLFB (SP) | MFC-L5800DW | | |
| 1 | D008U9001 | 1 | JOINT COVER ASSY DLFB (SP) | MFC-L5802DW | | |
| 1 | D008U9001 | 1 | JOINT COVER ASSY DLFB (SP) | MFC-L5850DW | | |
| 1 | D008U9001 | 1 | JOINT COVER ASSY DLFB (SP) | MFC-L5900DW | | |
| 1 | D008U9001 | 1 | JOINT COVER ASSY DLFB (SP) | MFC-L5902DW | | |
| 1 | D008U9001 | 1 | JOINT COVER ASSY DLFB (SP) | MFC-L6700DW | | |
| 1 | D008U9001 | 1 | JOINT COVER ASSY DLFB (SP) | MFC-L6702DW | | |
| 1 | D008U9002 | 1 | JOINT COVER ASSY DLFB (SP) | MFC-L6750DW | | |
| 1 | D00AVH001 | 1 | JOINT COVER ASSY DLFB (SP) | MFC-L6800DW | FOR USA | chg |
| 1 | D00AVH002 | 1 | JOINT COVER ASSY DLFB (SP) | MFC-L6800DW | FOR GER/UK/SWI/ITA/IBE/ISR/ RUS/PND/CEE/GEN/ITA_CONSIP | |
| 1 | D008UA002 | 1 | JOINT COVER ASSY DLFB (SP) | MFC-L6900DW | | |
| 1 | D008UA002 | 1 | JOINT COVER ASSY DLFB (SP) | MFC-L6900DWG | | |
| 1 | D008UA002 | 1 | JOINT COVER ASSY DLFB (SP) | MFC-L6900DWX | | |
| 1 | D008UA002 | 1 | JOINT COVER ASSY DLFB (SP) | MFC-L6902DW | | |
| 1 | D008UA002 | 1 | JOINT COVER ASSY DLFB (SP) | MFC-L6950DW | | |
| 1 | D008UA002 | 1 | JOINT COVER ASSY DLFB (SP) | MFC-L6970DW | | |
| 1-1 | D000CX001 | 1 | STACK SENSOR PCB ASSY | DCP-L6600DW | | |
| 1-1 | D000CX001 | 1 | STACK SENSOR PCB ASSY | MFC-L6800DW | | |
| 1-1 | D000CX001 | 1 | STACK SENSOR PCB ASSY | MFC-L6900DW | | |
| 1-1 | D000CX001 | 1 | STACK SENSOR PCB ASSY | MFC-L6900DWG | | |
| 1-1 | D000CX001 | 1 | STACK SENSOR PCB ASSY | MFC-L6900DWX | | |
| 1-1 | D000CX001 | 1 | STACK SENSOR PCB ASSY | MFC-L6902DW | | |
| 1-1 | D000CX001 | 1 | STACK SENSOR PCB ASSY | MFC-L6950DW | | |
| 1-1 | D000CX001 | 1 | STACK SENSOR PCB ASSY | MFC-L6970DW | | |
| 2 | D005TN001 | 1 | FRONT COVER ASSY | DCP-L5500D | | |
| 2 | D00884001 | 1 | FRONT COVER ASSY | DCP-L5500DN | FOR USA | |
| 2 | D00887001 | 1 | FRONT COVER ASSY | DCP-L5500DN | FOR GER/UK/SWI/ITA/IBE/RUS/ FRA/BEL/NLD/PND/CEE/ITA | |
| 2 | D003SY001 | 1 | FRONT COVER ASSY | DCP-L5502DN | | |
| 2 | D00884001 | 1 | FRONT COVER ASSY | DCP-L5600DN | FOR USA | |
| 2 | D005TJ001 | 1 | FRONT COVER ASSY | DCP-L5600DN | FOR ARG | |
| 2 | D003TA001 | 1 | FRONT COVER ASSY | DCP-L5600DN | FOR ASA/IND | |
| 2 | D003SY001 | 1 | FRONT COVER ASSY | DCP-L5602DN | | |
| 2 | D00884001 | 1 | FRONT COVER ASSY | DCP-L5650DN | FOR USA | |
| 2 | D005TJ001 | 1 | FRONT COVER ASSY | DCP-L5650DN | FOR ARG/CHL | |
| 2 | D003SY001 | 1 | FRONT COVER ASSY | DCP-L5652DN | | |
| 2 | D000U4002 | 1 | FRONT COVER ASSY | DCP-L6600DW | FOR GER/UK/SWI/ITA/IBE/RUS/ PND/CEE/GEN | |
| 2 | D005SZ002 | 1 | FRONT COVER ASSY | DCP-L6600DW | FOR ISR | |
| 2 | D005TJ002 | 1 | FRONT COVER ASSY | DCP-L6600DW | FOR ARG | |
| 2 | D005TM001 | 1 | FRONT COVER ASSY | MFC-8530DN | | |
| 2 | D005TM001 | 1 | FRONT COVER ASSY | MFC-8535DN | | |
| 2 | D005TM001 | 1 | FRONT COVER ASSY | MFC-8540DN | | |
| 2 | D00887001 | 1 | FRONT COVER ASSY | MFC-L5700DN | FOR GER/UK/SWI/ITA/IBE/RUS/ FRA/BEL/NLD/PND/CEE | |
| 2 | D003TA001 | 1 | FRONT COVER ASSY | MFC-L5700DN | FOR TWN/ASA/KOR | |
| 2 | D005TN001 | 1 | FRONT COVER ASSY | MFC-L5700DN | FOR GULF | |
| 2 | D00884001 | 1 | FRONT COVER ASSY | MFC-L5700DW | FOR USA/CAN | |
| 2 | D003TA001 | 1 | FRONT COVER ASSY | MFC-L5700DW | FOR KOR | |
| 2 | D003SY001 | 1 | FRONT COVER ASSY | MFC-L5702DW | | |

9. COVERS & LABELS

| REF No. | CODE | Q'TY | DESCRIPTION | MODEL | SPEC | REMARKS |
|---------|-----------|------|------------------|--------------|---|---------|
| 2 | D00887001 | 1 | FRONT COVER ASSY | MFC-L5750DW | FOR GER/UK/SWI/ITA/IBE/RUS/ FRA/BEL/NLD/CEE | |
| 2 | D005TN001 | 1 | FRONT COVER ASSY | MFC-L5750DW | FOR TUR | |
| 2 | D008DM001 | 1 | FRONT COVER ASSY | MFC-L5750DW | FOR ISR | |
| 2 | D005TR001 | 1 | FRONT COVER ASSY | MFC-L5755DW | FOR ARL | |
| 2 | D005TT001 | 1 | FRONT COVER ASSY | MFC-L5755DW | FOR NZ | |
| 2 | D005TN001 | 1 | FRONT COVER ASSY | MFC-L5755DW | FOR GULF | |
| 2 | D00884001 | 1 | FRONT COVER ASSY | MFC-L5800DW | FOR USA/CAN | |
| 2 | D005TJ001 | 1 | FRONT COVER ASSY | MFC-L5800DW | FOR ARG | |
| 2 | D003SY001 | 1 | FRONT COVER ASSY | MFC-L5802DW | | |
| 2 | D00884001 | 1 | FRONT COVER ASSY | MFC-L5850DW | | |
| 2 | D00884001 | 1 | FRONT COVER ASSY | MFC-L5900DW | FOR USA/CAN | |
| 2 | D005TJ001 | 1 | FRONT COVER ASSY | MFC-L5900DW | FOR CHL | |
| 2 | D003TA001 | 1 | FRONT COVER ASSY | MFC-L5900DW | FOR ASA/IND | |
| 2 | D005TN001 | 1 | FRONT COVER ASSY | MFC-L5900DW | FOR GULF | |
| 2 | D003SY001 | 1 | FRONT COVER ASSY | MFC-L5902DW | | |
| 2 | D003UA001 | 1 | FRONT COVER ASSY | MFC-L6700DW | FOR USA/CAN/MEX | |
| 2 | D008MF001 | 1 | FRONT COVER ASSY | MFC-L6700DW | FOR ARL | |
| 2 | D008MK001 | 1 | FRONT COVER ASSY | MFC-L6700DW | FOR NZ | |
| 2 | D005TJ001 | 1 | FRONT COVER ASSY | MFC-L6700DW | FOR CHL | |
| 2 | D005TN001 | 1 | FRONT COVER ASSY | MFC-L6700DW | FOR GULF | |
| 2 | D003SY001 | 1 | FRONT COVER ASSY | MFC-L6702DW | | |
| 2 | D003UA002 | 1 | FRONT COVER ASSY | MFC-L6750DW | | |
| 2 | D003UA001 | 1 | FRONT COVER ASSY | MFC-L6800DW | FOR USA | |
| 2 | D000U4002 | 1 | FRONT COVER ASSY | MFC-L6800DW | FOR GER/UK/SWI/ITA/IBE/RUS/ PND/CEE/GEN/ITA_CONSIP | |
| 2 | D005SZ002 | 1 | FRONT COVER ASSY | MFC-L6800DW | FOR ISR | |
| 2 | D003UA002 | 1 | FRONT COVER ASSY | MFC-L6900DW | FOR USA/CAN/MEX | |
| 2 | D000U4002 | 1 | FRONT COVER ASSY | MFC-L6900DW | FOR GER/UK/SWI/ITA/IBE/RUS/ PND/CEE/GEN | |
| 2 | D008MF002 | 1 | FRONT COVER ASSY | MFC-L6900DW | FOR ARL | |
| 2 | D005SZ002 | 1 | FRONT COVER ASSY | MFC-L6900DW | FOR ISR | |
| 2 | D003TA002 | 1 | FRONT COVER ASSY | MFC-L6900DW | FOR TWN/ASA/KOR | |
| 2 | D008MK002 | 1 | FRONT COVER ASSY | MFC-L6900DW | FOR NZ | |
| 2 | D005TJ002 | 1 | FRONT COVER ASSY | MFC-L6900DW | FOR ARG/CHL | |
| 2 | D005TN002 | 1 | FRONT COVER ASSY | MFC-L6900DW | FOR GULF | |
| 2 | D003UA002 | 1 | FRONT COVER ASSY | MFC-L6900DWG | | |
| 2 | D003UA002 | 1 | FRONT COVER ASSY | MFC-L6900DWX | | |
| 2 | D003SY002 | 1 | FRONT COVER ASSY | MFC-L6902DW | | |
| 2 | D000U4002 | 1 | FRONT COVER ASSY | MFC-L6950DW | | |
| 2 | D000U4002 | 1 | FRONT COVER ASSY | MFC-L6970DW | | |
| 2-1 | D0005D003 | 1 | PAPER STOPPER | DCP-L5500D | | |
| 2-1 | D0005D003 | 1 | PAPER STOPPER | DCP-L5500DN | | |
| 2-1 | D0005D003 | 1 | PAPER STOPPER | DCP-L5502DN | | |
| 2-1 | D0005D003 | 1 | PAPER STOPPER | DCP-L5600DN | | |
| 2-1 | D0005D003 | 1 | PAPER STOPPER | DCP-L5602DN | | |
| 2-1 | D0005D003 | 1 | PAPER STOPPER | DCP-L5650DN | | |
| 2-1 | D0005D003 | 1 | PAPER STOPPER | DCP-L5652DN | | |
| 2-1 | D0005D004 | 1 | PAPER STOPPER | DCP-L6600DW | | |
| 2-1 | D0005D003 | 1 | PAPER STOPPER | MFC-8530DN | | |
| 2-1 | D0005D003 | 1 | PAPER STOPPER | MFC-8535DN | | |
| 2-1 | D0005D003 | 1 | PAPER STOPPER | MFC-8540DN | | |
| 2-1 | D0005D003 | 1 | PAPER STOPPER | MFC-L5700DN | | |
| 2-1 | D0005D003 | 1 | PAPER STOPPER | MFC-L5700DW | | |
| 2-1 | D0005D003 | 1 | PAPER STOPPER | MFC-L5702DW | | |
| 2-1 | D0005D003 | 1 | PAPER STOPPER | MFC-L5750DW | | |
| 2-1 | D0005D003 | 1 | PAPER STOPPER | MFC-L5755DW | | |
| 2-1 | D0005D003 | 1 | PAPER STOPPER | MFC-L5800DW | | |
| 2-1 | D0005D003 | 1 | PAPER STOPPER | MFC-L5802DW | | |
| 2-1 | D0005D003 | 1 | PAPER STOPPER | MFC-L5850DW | | |
| 2-1 | D0005D003 | 1 | PAPER STOPPER | MFC-L5900DW | | |
| 2-1 | D0005D003 | 1 | PAPER STOPPER | MFC-L5902DW | | |
| 2-1 | D0005D003 | 1 | PAPER STOPPER | MFC-L6700DW | | |
| 2-1 | D0005D003 | 1 | PAPER STOPPER | MFC-L6702DW | | |
| 2-1 | D0005D004 | 1 | PAPER STOPPER | MFC-L6750DW | | |
| 2-1 | D0005D003 | 1 | PAPER STOPPER | MFC-L6800DW | FOR USA | |
| 2-1 | D0005D004 | 1 | PAPER STOPPER | MFC-L6800DW | FOR GER/UK/SWI/ITA/IBE/ISR/ RUS/PND/CEE/GEN/ITA_CONSIP | |

9. COVERS & LABELS

| REF No. | CODE | Q'TY | DESCRIPTION | MODEL | SPEC | REMARKS |
|---------|-----------|------|---------------|--------------|------|---------|
| 2-1 | D0005D004 | 1 | PAPER STOPPER | MFC-L6900DW | | |
| 2-1 | D0005D004 | 1 | PAPER STOPPER | MFC-L6900DWG | | |
| 2-1 | D0005D004 | 1 | PAPER STOPPER | MFC-L6900DWX | | |
| 2-1 | D0005D004 | 1 | PAPER STOPPER | MFC-L6902DW | | |
| 2-1 | D0005D004 | 1 | PAPER STOPPER | MFC-L6950DW | | |
| 2-1 | D0005D004 | 1 | PAPER STOPPER | MFC-L6970DW | | |
| 3 | D005WD001 | 1 | FUSER COVER | | | |
| 4 | D00FF5001 | 1 | OUTER CHUTE | | | chg |
| 5 | D001BB001 | 1 | BACK COVER | DCP-L5500D | | |
| 5 | D001BB001 | 1 | BACK COVER | DCP-L5500DN | | |
| 5 | D001BB001 | 1 | BACK COVER | DCP-L5502DN | | |
| 5 | D001BB001 | 1 | BACK COVER | DCP-L5600DN | | |
| 5 | D001BB001 | 1 | BACK COVER | DCP-L5602DN | | |
| 5 | D001BB001 | 1 | BACK COVER | DCP-L5650DN | | |
| 5 | D001BB001 | 1 | BACK COVER | DCP-L5652DN | | |
| 5 | D001BB002 | 1 | BACK COVER | DCP-L6600DW | | |
| 5 | D003VB001 | 1 | BACK COVER | MFC-8530DN | | chg |
| 5 | D003VB001 | 1 | BACK COVER | MFC-8535DN | | chg |
| 5 | D003VB001 | 1 | BACK COVER | MFC-8540DN | | chg |
| 5 | D001BB001 | 1 | BACK COVER | MFC-L5700DN | | |
| 5 | D001BB001 | 1 | BACK COVER | MFC-L5700DW | | |
| 5 | D001BB001 | 1 | BACK COVER | MFC-L5702DW | | |
| 5 | D001BB001 | 1 | BACK COVER | MFC-L5750DW | | |
| 5 | D001BB001 | 1 | BACK COVER | MFC-L5755DW | | |
| 5 | D001BB001 | 1 | BACK COVER | MFC-L5800DW | | |
| 5 | D001BB001 | 1 | BACK COVER | MFC-L5802DW | | |
| 5 | D001BB001 | 1 | BACK COVER | MFC-L5850DW | | |
| 5 | D001BB001 | 1 | BACK COVER | MFC-L5900DW | | |
| 5 | D001BB001 | 1 | BACK COVER | MFC-L5902DW | | |
| 5 | D001BB001 | 1 | BACK COVER | MFC-L6700DW | | |
| 5 | D001BB001 | 1 | BACK COVER | MFC-L6702DW | | |
| 5 | D001BB002 | 1 | BACK COVER | MFC-L6750DW | | |
| 5 | D001BB001 | 1 | BACK COVER | MFC-L6800DW | | |
| 5 | D001BB002 | 1 | BACK COVER | MFC-L6800DW | | |
| 5 | D001BB002 | 1 | BACK COVER | MFC-L6900DW | | |
| 5 | D001BB002 | 1 | BACK COVER | MFC-L6900DWG | | |
| 5 | D001BB002 | 1 | BACK COVER | MFC-L6900DWX | | |
| 5 | D001BB002 | 1 | BACK COVER | MFC-L6902DW | | |
| 5 | D001BB002 | 1 | BACK COVER | MFC-L6950DW | | |
| 5 | D001BB002 | 1 | BACK COVER | MFC-L6970DW | | |
| 6 | D008NS001 | 1 | SIDE COVER L | DCP-L5500D | | |
| 6 | D003XA001 | 1 | SIDE COVER L | DCP-L5500DN | | |
| 6 | D003XA001 | 1 | SIDE COVER L | DCP-L5502DN | | |
| 6 | D003XA001 | 1 | SIDE COVER L | DCP-L5600DN | | |
| 6 | D003XA001 | 1 | SIDE COVER L | DCP-L5602DN | | |
| 6 | D003XA001 | 1 | SIDE COVER L | DCP-L5650DN | | |
| 6 | D003XA001 | 1 | SIDE COVER L | DCP-L5652DN | | |
| 6 | D00597002 | 1 | SIDE COVER L | DCP-L6600DW | | |
| 6 | D000K6001 | 1 | SIDE COVER L | MFC-8530DN | | |
| 6 | D000K6001 | 1 | SIDE COVER L | MFC-8535DN | | |
| 6 | D000K6001 | 1 | SIDE COVER L | MFC-8540DN | | |
| 6 | D000K6001 | 1 | SIDE COVER L | MFC-L5700DN | | |
| 6 | D000K6001 | 1 | SIDE COVER L | MFC-L5700DW | | |
| 6 | D000K6001 | 1 | SIDE COVER L | MFC-L5702DW | | |
| 6 | D000K6001 | 1 | SIDE COVER L | MFC-L5750DW | | |
| 6 | D000K6001 | 1 | SIDE COVER L | MFC-L5755DW | | |
| 6 | D000K6001 | 1 | SIDE COVER L | MFC-L5800DW | | |
| 6 | D000K6001 | 1 | SIDE COVER L | MFC-L5802DW | | |
| 6 | D000K6001 | 1 | SIDE COVER L | MFC-L5850DW | | |
| 6 | D000K6001 | 1 | SIDE COVER L | MFC-L5900DW | | |
| 6 | D000K6001 | 1 | SIDE COVER L | MFC-L5902DW | | |
| 6 | D00225001 | 1 | SIDE COVER L | MFC-L6700DW | | |
| 6 | D00225001 | 1 | SIDE COVER L | MFC-L6702DW | | |
| 6 | D00225002 | 1 | SIDE COVER L | MFC-L6750DW | | |
| 6 | D000U2001 | 1 | SIDE COVER L | MFC-L6800DW | | |
| 6 | D000U2002 | 1 | SIDE COVER L | MFC-L6800DW | | |

FOR USA
 FOR GER/UK/SWI/ITA/IBE/ISR/
 RUS/PND/CEE/GEN/ITA_CONSIP

FOR USA
 FOR GER/UK/SWI/ITA/IBE/ISR/
 RUS/PND/CEE/GEN/ITA_CONSIP

9. COVERS & LABELS

| REF No. | CODE | Q'TY | DESCRIPTION | MODEL | SPEC | REMARKS |
|---------|-----------|------|-----------------------|--------------|------|---------|
| 6 | D000U2002 | 1 | SIDE COVER L | MFC-L6900DW | | |
| 6 | D000U2002 | 1 | SIDE COVER L | MFC-L6900DWG | | |
| 6 | D000U2002 | 1 | SIDE COVER L | MFC-L6900DWX | | |
| 6 | D000U2002 | 1 | SIDE COVER L | MFC-L6902DW | | |
| 6 | D000U2002 | 1 | SIDE COVER L | MFC-L6950DW | | |
| 6 | D000U2002 | 1 | SIDE COVER L | MFC-L6970DW | | |
| 7 | D00549001 | 1 | SIDE COVER R | DCP-L5500D | | |
| 7 | D00549001 | 1 | SIDE COVER R | DCP-L5500DN | | |
| 7 | D00549001 | 1 | SIDE COVER R | DCP-L5502DN | | |
| 7 | D00549001 | 1 | SIDE COVER R | DCP-L5600DN | | |
| 7 | D00549001 | 1 | SIDE COVER R | DCP-L5602DN | | |
| 7 | D00549001 | 1 | SIDE COVER R | DCP-L5650DN | | |
| 7 | D00549001 | 1 | SIDE COVER R | DCP-L5652DN | | |
| 7 | D00596002 | 1 | SIDE COVER R | DCP-L6600DW | | |
| 7 | D0021K001 | 1 | SIDE COVER R | MFC-8530DN | | |
| 7 | D0021K001 | 1 | SIDE COVER R | MFC-8535DN | | |
| 7 | D0021K001 | 1 | SIDE COVER R | MFC-8540DN | | |
| 7 | D000KB001 | 1 | SIDE COVER R | MFC-L5700DN | | |
| 7 | D000KB001 | 1 | SIDE COVER R | MFC-L5700DW | | |
| 7 | D000KB001 | 1 | SIDE COVER R | MFC-L5702DW | | |
| 7 | D000KB001 | 1 | SIDE COVER R | MFC-L5750DW | | |
| 7 | D000KB001 | 1 | SIDE COVER R | MFC-L5755DW | | |
| 7 | D000KB001 | 1 | SIDE COVER R | MFC-L5800DW | | |
| 7 | D000KB001 | 1 | SIDE COVER R | MFC-L5802DW | | |
| 7 | D000KB001 | 1 | SIDE COVER R | MFC-L5850DW | | |
| 7 | D000KB001 | 1 | SIDE COVER R | MFC-L5900DW | | |
| 7 | D000KB001 | 1 | SIDE COVER R | MFC-L5902DW | | |
| 7 | D000U0001 | 1 | SIDE COVER R | MFC-L6700DW | | |
| 7 | D000U0001 | 1 | SIDE COVER R | MFC-L6702DW | | |
| 7 | D000U0002 | 1 | SIDE COVER R | MFC-L6750DW | | |
| 7 | D000U0001 | 1 | SIDE COVER R | MFC-L6800DW | | |
| 7 | D000U0002 | 1 | SIDE COVER R | MFC-L6800DW | | |
| 7 | D000U0002 | 1 | SIDE COVER R | MFC-L6900DW | | |
| 7 | D000U0002 | 1 | SIDE COVER R | MFC-L6900DWG | | |
| 7 | D000U0002 | 1 | SIDE COVER R | MFC-L6900DWX | | |
| 7 | D000U0002 | 1 | SIDE COVER R | MFC-L6902DW | | |
| 7 | D000U0002 | 1 | SIDE COVER R | MFC-L6950DW | | |
| 7 | D000U0002 | 1 | SIDE COVER R | MFC-L6970DW | | |
| 8 | D008GF001 | 1 | MP TRAY COVER ASSY SP | DCP-L5500D | | |
| 8 | D008GF001 | 1 | MP TRAY COVER ASSY SP | DCP-L5500DN | | |
| 8 | D008GF001 | 1 | MP TRAY COVER ASSY SP | DCP-L5502DN | | |
| 8 | D008GF001 | 1 | MP TRAY COVER ASSY SP | DCP-L5600DN | | |
| 8 | D008GF001 | 1 | MP TRAY COVER ASSY SP | DCP-L5602DN | | |
| 8 | D008GF001 | 1 | MP TRAY COVER ASSY SP | DCP-L5650DN | | |
| 8 | D008GF001 | 1 | MP TRAY COVER ASSY SP | DCP-L5652DN | | |
| 8 | D008GG002 | 1 | MP TRAY COVER ASSY SP | DCP-L6600DW | | |
| 8 | D008GF001 | 1 | MP TRAY COVER ASSY SP | MFC-8530DN | | |
| 8 | D008GF001 | 1 | MP TRAY COVER ASSY SP | MFC-8535DN | | |
| 8 | D008GF001 | 1 | MP TRAY COVER ASSY SP | MFC-8540DN | | |
| 8 | D008GF001 | 1 | MP TRAY COVER ASSY SP | MFC-L5700DN | | |
| 8 | D008GF001 | 1 | MP TRAY COVER ASSY SP | MFC-L5700DW | | |
| 8 | D008GF001 | 1 | MP TRAY COVER ASSY SP | MFC-L5702DW | | |
| 8 | D008GF001 | 1 | MP TRAY COVER ASSY SP | MFC-L5750DW | | |
| 8 | D008GF001 | 1 | MP TRAY COVER ASSY SP | MFC-L5755DW | | |
| 8 | D008GF001 | 1 | MP TRAY COVER ASSY SP | MFC-L5800DW | | |
| 8 | D008GF001 | 1 | MP TRAY COVER ASSY SP | MFC-L5802DW | | |
| 8 | D008GF001 | 1 | MP TRAY COVER ASSY SP | MFC-L5850DW | | |
| 8 | D008GF001 | 1 | MP TRAY COVER ASSY SP | MFC-L5900DW | | |
| 8 | D008GF001 | 1 | MP TRAY COVER ASSY SP | MFC-L5902DW | | |
| 8 | D008GF001 | 1 | MP TRAY COVER ASSY SP | MFC-L6700DW | | |
| 8 | D008GF001 | 1 | MP TRAY COVER ASSY SP | MFC-L6702DW | | |
| 8 | D008GF002 | 1 | MP TRAY COVER ASSY SP | MFC-L6750DW | | |
| 8 | D008GG001 | 1 | MP TRAY COVER ASSY SP | MFC-L6800DW | | |
| 8 | D008GG002 | 1 | MP TRAY COVER ASSY SP | MFC-L6800DW | | |
| 8 | D008GG002 | 1 | MP TRAY COVER ASSY SP | MFC-L6900DW | | |
| 8 | D008GG002 | 1 | MP TRAY COVER ASSY SP | MFC-L6900DWG | | |

FOR USA
 FOR GER/UK/SWI/ITA/IBE/ISR/
 RUS/PND/CEE/GEN/ITA_CONSIP

FOR USA
 FOR GER/UK/SWI/ITA/IBE/ISR/
 RUS/PND/CEE/GEN/ITA_CONSIP

9. COVERS & LABELS

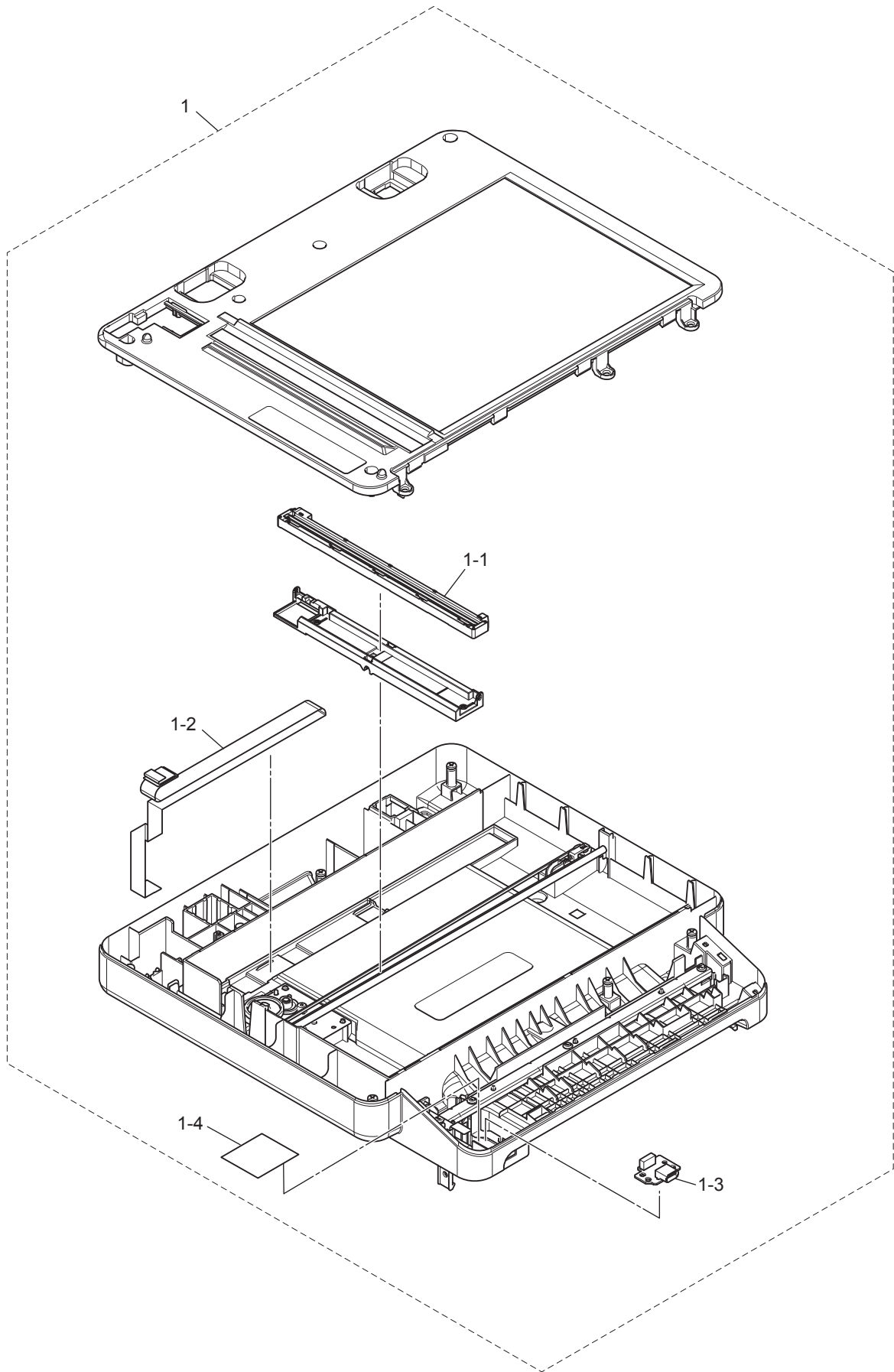
| REF No. | CODE | Q'TY | DESCRIPTION | MODEL | SPEC | REMARKS |
|---------|-----------|------|-----------------------|--------------|------|---------|
| 8 | D008GG002 | 1 | MP TRAY COVER ASSY SP | MFC-L6900DWX | | |
| 8 | D008GG002 | 1 | MP TRAY COVER ASSY SP | MFC-L6902DW | | |
| 8 | D008GG002 | 1 | MP TRAY COVER ASSY SP | MFC-L6950DW | | |
| 8 | D008GG002 | 1 | MP TRAY COVER ASSY SP | MFC-L6970DW | | |
| 8-1 | D000TH001 | 1 | MP DAMPER SPRING | DCP-L5500D | | |
| 8-1 | D000TH001 | 1 | MP DAMPER SPRING | DCP-L5500DN | | |
| 8-1 | D000TH001 | 1 | MP DAMPER SPRING | DCP-L5502DN | | |
| 8-1 | D000TH001 | 1 | MP DAMPER SPRING | DCP-L5600DN | | |
| 8-1 | D000TH001 | 1 | MP DAMPER SPRING | DCP-L5602DN | | |
| 8-1 | D000TH001 | 1 | MP DAMPER SPRING | DCP-L5650DN | | |
| 8-1 | D000TH001 | 1 | MP DAMPER SPRING | DCP-L5652DN | | |
| 8-1 | D007PP001 | 1 | MP DAMPER SPRING | DCP-L6600DW | | |
| 8-1 | D000TH001 | 1 | MP DAMPER SPRING | MFC-8530DN | | |
| 8-1 | D000TH001 | 1 | MP DAMPER SPRING | MFC-8535DN | | |
| 8-1 | D000TH001 | 1 | MP DAMPER SPRING | MFC-8540DN | | |
| 8-1 | D000TH001 | 1 | MP DAMPER SPRING | MFC-L5700DN | | |
| 8-1 | D000TH001 | 1 | MP DAMPER SPRING | MFC-L5700DW | | |
| 8-1 | D000TH001 | 1 | MP DAMPER SPRING | MFC-L5702DW | | |
| 8-1 | D000TH001 | 1 | MP DAMPER SPRING | MFC-L5750DW | | |
| 8-1 | D000TH001 | 1 | MP DAMPER SPRING | MFC-L5755DW | | |
| 8-1 | D000TH001 | 1 | MP DAMPER SPRING | MFC-L5800DW | | |
| 8-1 | D000TH001 | 1 | MP DAMPER SPRING | MFC-L5802DW | | |
| 8-1 | D000TH001 | 1 | MP DAMPER SPRING | MFC-L5850DW | | |
| 8-1 | D000TH001 | 1 | MP DAMPER SPRING | MFC-L5900DW | | |
| 8-1 | D000TH001 | 1 | MP DAMPER SPRING | MFC-L5902DW | | |
| 8-1 | D000TH001 | 1 | MP DAMPER SPRING | MFC-L6700DW | | |
| 8-1 | D000TH001 | 1 | MP DAMPER SPRING | MFC-L6702DW | | |
| 8-1 | D000TH001 | 1 | MP DAMPER SPRING | MFC-L6750DW | | |
| 8-1 | D007PP001 | 1 | MP DAMPER SPRING | MFC-L6800DW | | |
| 8-1 | D007PP001 | 1 | MP DAMPER SPRING | MFC-L6900DW | | |
| 8-1 | D007PP001 | 1 | MP DAMPER SPRING | MFC-L6900DWG | | |
| 8-1 | D007PP001 | 1 | MP DAMPER SPRING | MFC-L6900DWX | | |
| 8-1 | D007PP001 | 1 | MP DAMPER SPRING | MFC-L6902DW | | |
| 8-1 | D007PP001 | 1 | MP DAMPER SPRING | MFC-L6950DW | | |
| 8-1 | D007PP001 | 1 | MP DAMPER SPRING | MFC-L6970DW | | |
| 9 | LY4174006 | 1 | MP PAPER GUIDE ASSY | DCP-L5500D | | |
| 9 | LY4174006 | 1 | MP PAPER GUIDE ASSY | DCP-L5500DN | | |
| 9 | LY4174006 | 1 | MP PAPER GUIDE ASSY | DCP-L5502DN | | |
| 9 | LY4174006 | 1 | MP PAPER GUIDE ASSY | DCP-L5600DN | | |
| 9 | LY4174006 | 1 | MP PAPER GUIDE ASSY | DCP-L5602DN | | |
| 9 | LY4174006 | 1 | MP PAPER GUIDE ASSY | DCP-L5650DN | | |
| 9 | LY4174006 | 1 | MP PAPER GUIDE ASSY | DCP-L5652DN | | |
| 9 | D001DW002 | 1 | MP PAPER GUIDE ASSY | DCP-L6600DW | | |
| 9 | LY4174006 | 1 | MP PAPER GUIDE ASSY | MFC-8530DN | | |
| 9 | LY4174006 | 1 | MP PAPER GUIDE ASSY | MFC-8535DN | | |
| 9 | LY4174006 | 1 | MP PAPER GUIDE ASSY | MFC-8540DN | | |
| 9 | LY4174006 | 1 | MP PAPER GUIDE ASSY | MFC-L5700DN | | |
| 9 | LY4174006 | 1 | MP PAPER GUIDE ASSY | MFC-L5700DW | | |
| 9 | LY4174006 | 1 | MP PAPER GUIDE ASSY | MFC-L5702DW | | |
| 9 | LY4174006 | 1 | MP PAPER GUIDE ASSY | MFC-L5750DW | | |
| 9 | LY4174006 | 1 | MP PAPER GUIDE ASSY | MFC-L5755DW | | |
| 9 | LY4174006 | 1 | MP PAPER GUIDE ASSY | MFC-L5800DW | | |
| 9 | LY4174006 | 1 | MP PAPER GUIDE ASSY | MFC-L5802DW | | |
| 9 | LY4174006 | 1 | MP PAPER GUIDE ASSY | MFC-L5850DW | | |
| 9 | LY4174006 | 1 | MP PAPER GUIDE ASSY | MFC-L5900DW | | |
| 9 | LY4174006 | 1 | MP PAPER GUIDE ASSY | MFC-L5902DW | | |
| 9 | LY4174006 | 1 | MP PAPER GUIDE ASSY | MFC-L6700DW | | |
| 9 | LY4174006 | 1 | MP PAPER GUIDE ASSY | MFC-L6702DW | | |
| 9 | LY4174007 | 1 | MP PAPER GUIDE ASSY | MFC-L6750DW | | |
| 9 | D001DW001 | 1 | MP PAPER GUIDE ASSY | MFC-L6800DW | | |
| 9 | D001DW002 | 1 | MP PAPER GUIDE ASSY | MFC-L6800DW | | |
| 9 | D001DW002 | 1 | MP PAPER GUIDE ASSY | MFC-L6900DW | | |
| 9 | D001DW002 | 1 | MP PAPER GUIDE ASSY | MFC-L6900DWG | | |
| 9 | D001DW002 | 1 | MP PAPER GUIDE ASSY | MFC-L6900DWX | | |
| 9 | D001DW002 | 1 | MP PAPER GUIDE ASSY | MFC-L6902DW | | |
| 9 | D001DW002 | 1 | MP PAPER GUIDE ASSY | MFC-L6950DW | | |
| 9 | D001DW002 | 1 | MP PAPER GUIDE ASSY | MFC-L6970DW | | |

FOR USA
 FOR GER/UK/SWI/ITA/IBE/ISR/
 RUS/PND/CEE/GEN/ITA_CONSIP

9. COVERS & LABELS

| REF No. | CODE | Q'TY | DESCRIPTION | MODEL | SPEC | REMARKS |
|---------|-----------|------|--------------------------------|--------------|--|---------|
| 10 | D0030F001 | 1 | LABEL H CAUTION REAR 14X42 | | | |
| 11 | D0030G001 | 1 | LABEL S CAUTION REAR 14X42 | | | |
| 12 | D003JF001 | 1 | LABEL CAUTION FRONT 14X130 | DCP-L5500D | | |
| 12 | D003JD001 | 1 | LABEL CAUTION FRONT 14X130 US3 | DCP-L5500DN | FOR USA | |
| 12 | D003JF001 | 1 | LABEL CAUTION FRONT 14X130 | DCP-L5500DN | FOR GER/UK/SWI/ITA/IBE/RUS/ FRA/BEL/NLD/PND/CEE/ITA | |
| 12 | D003JF001 | 1 | LABEL CAUTION FRONT 14X130 | DCP-L5502DN | | |
| 12 | D003JD001 | 1 | LABEL CAUTION FRONT 14X130 US3 | DCP-L5600DN | FOR USA | |
| 12 | D003JF001 | 1 | LABEL CAUTION FRONT 14X130 | DCP-L5600DN | FOR ARG/ASA/IND | |
| 12 | D003JF001 | 1 | LABEL CAUTION FRONT 14X130 | DCP-L5602DN | | |
| 12 | D003JD001 | 1 | LABEL CAUTION FRONT 14X130 US3 | DCP-L5650DN | FOR USA | |
| 12 | D003JF001 | 1 | LABEL CAUTION FRONT 14X130 | DCP-L5650DN | FOR ARG/CHL | |
| 12 | D003JF001 | 1 | LABEL CAUTION FRONT 14X130 | DCP-L5652DN | | |
| 12 | D003JF001 | 1 | LABEL CAUTION FRONT 14X130 | DCP-L6600DW | | |
| 12 | D003JF001 | 1 | LABEL CAUTION FRONT 14X130 | MFC-8530DN | | |
| 12 | D003JF001 | 1 | LABEL CAUTION FRONT 14X130 | MFC-8535DN | | |
| 12 | D003JF001 | 1 | LABEL CAUTION FRONT 14X130 | MFC-8540DN | | |
| 12 | D003JF001 | 1 | LABEL CAUTION FRONT 14X130 | MFC-L5700DN | | |
| 12 | D003JD001 | 1 | LABEL CAUTION FRONT 14X130 US3 | MFC-L5700DW | FOR USA | |
| 12 | D003JF001 | 1 | LABEL CAUTION FRONT 14X130 | MFC-L5700DW | FOR CAN/KOR | |
| 12 | D003JF001 | 1 | LABEL CAUTION FRONT 14X130 | MFC-L5702DW | | |
| 12 | D003JF001 | 1 | LABEL CAUTION FRONT 14X130 | MFC-L5750DW | | |
| 12 | D003JF001 | 1 | LABEL CAUTION FRONT 14X130 | MFC-L5755DW | | |
| 12 | D003JD001 | 1 | LABEL CAUTION FRONT 14X130 US3 | MFC-L5800DW | FOR USA | |
| 12 | D003JF001 | 1 | LABEL CAUTION FRONT 14X130 | MFC-L5800DW | FOR CAN/ARG | |
| 12 | D003JF001 | 1 | LABEL CAUTION FRONT 14X130 | MFC-L5802DW | | |
| 12 | D003JD001 | 1 | LABEL CAUTION FRONT 14X130 US3 | MFC-L5850DW | | |
| 12 | D003JD001 | 1 | LABEL CAUTION FRONT 14X130 US3 | MFC-L5900DW | FOR USA | |
| 12 | D003JF001 | 1 | LABEL CAUTION FRONT 14X130 | MFC-L5900DW | FOR CAN/CHL/ASA/GULF/IND | |
| 12 | D003JF001 | 1 | LABEL CAUTION FRONT 14X130 | MFC-L5902DW | | |
| 12 | D003JC001 | 1 | LABEL CAUTION FRONT 14X130 US2 | MFC-L6700DW | FOR USA/MEX | |
| 12 | D003JF001 | 1 | LABEL CAUTION FRONT 14X130 | MFC-L6700DW | FOR CAN/ARL/NZ/CHL/GULF | |
| 12 | D003JF001 | 1 | LABEL CAUTION FRONT 14X130 | MFC-L6702DW | | |
| 12 | D003JC001 | 1 | LABEL CAUTION FRONT 14X130 US2 | MFC-L6750DW | | |
| 12 | D003JC001 | 1 | LABEL CAUTION FRONT 14X130 US2 | MFC-L6800DW | FOR USA | |
| 12 | D003JF001 | 1 | LABEL CAUTION FRONT 14X130 | MFC-L6800DW | FOR GER/UK/SWI/ITA/IBE/ISR/ RUS/PND/CEE/GEN/ITA_CONSIP | |
| 12 | D002RV001 | 1 | LABEL CAUTION FRONT 14X130 US1 | MFC-L6900DW | FOR USA/MEX | |
| 12 | D003JF001 | 1 | LABEL CAUTION FRONT 14X130 | MFC-L6900DW | FOR CAN/GER/UK/ARL/SWI/ITA/ IBE/ISR/TWN/NZ/ARG/CHL/ASA/ GULF/KOR/RUS/PND/CEE/GEN | |
| 12 | D003JF001 | 1 | LABEL CAUTION FRONT 14X130 | MFC-L6900DWG | | |
| 12 | D002RV001 | 1 | LABEL CAUTION FRONT 14X130 US1 | MFC-L6900DWX | | |
| 12 | D003JF001 | 1 | LABEL CAUTION FRONT 14X130 | MFC-L6902DW | | |
| 12 | D003JF001 | 1 | LABEL CAUTION FRONT 14X130 | MFC-L6950DW | | |
| 12 | D003JF001 | 1 | LABEL CAUTION FRONT 14X130 | MFC-L6970DW | | |
| 13 | D004VK001 | 1 | LABEL REAR JAM 17X55 DL | | | |

10. DOCUMENT SCANNER





10. DOCUMENT SCANNER

| REF No. | CODE | Q'TY | DESCRIPTION | MODEL | SPEC | REMARKS |
|---------|-----------|------|---------------------------------|--------------|---|---------|
| 1 | D016TB001 | 1 | DOCUMENT SCANNER UNIT (SP) 2 *1 | DCP-L5500D | | CHG |
| 1 | D016TB001 | 1 | DOCUMENT SCANNER UNIT (SP) 2 *1 | DCP-L5500DN | | CHG |
| 1 | D016TB001 | 1 | DOCUMENT SCANNER UNIT (SP) 2 *1 | DCP-L5502DN | | CHG |
| 1 | D016TH001 | 1 | DOCUMENT SCANNER UNIT (SP) 2 *1 | DCP-L5600DN | | CHG |
| 1 | D016TH001 | 1 | DOCUMENT SCANNER UNIT (SP) 2 *1 | DCP-L5602DN | | CHG |
| 1 | D016TF001 | 1 | DOCUMENT SCANNER UNIT (SP) 2 *1 | DCP-L5650DN | | CHG |
| 1 | D016TF001 | 1 | DOCUMENT SCANNER UNIT (SP) 2 *1 | DCP-L5652DN | | CHG |
| 1 | D016TF002 | 1 | DOCUMENT SCANNER UNIT (SP) 2 *1 | DCP-L6600DW | | CHG |
| 1 | D016TB001 | 1 | DOCUMENT SCANNER UNIT (SP) 2 *1 | MFC-8530DN | | CHG |
| 1 | D016TB001 | 1 | DOCUMENT SCANNER UNIT (SP) 2 *1 | MFC-8535DN | | CHG |
| 1 | D016T9001 | 1 | DOCUMENT SCANNER UNIT (SP) 2 *1 | MFC-8540DN | | CHG |
| 1 | D016TB001 | 1 | DOCUMENT SCANNER UNIT (SP) 2 *1 | MFC-L5700DN | | CHG |
| 1 | D016TB001 | 1 | DOCUMENT SCANNER UNIT (SP) 2 *1 | MFC-L5700DW | FOR USA/CAN | CHG |
| 1 | D016T9001 | 1 | DOCUMENT SCANNER UNIT (SP) 2 *1 | MFC-L5700DW | FOR KOR | CHG |
| 1 | D016TB001 | 1 | DOCUMENT SCANNER UNIT (SP) 2 *1 | MFC-L5702DW | | CHG |
| 1 | D016T9001 | 1 | DOCUMENT SCANNER UNIT (SP) 2 *1 | MFC-L5750DW | | CHG |
| 1 | D016T9001 | 1 | DOCUMENT SCANNER UNIT (SP) 2 *1 | MFC-L5755DW | | CHG |
| 1 | D016TH001 | 1 | DOCUMENT SCANNER UNIT (SP) 2 *1 | MFC-L5800DW | | CHG |
| 1 | D016TH001 | 1 | DOCUMENT SCANNER UNIT (SP) 2 *1 | MFC-L5802DW | | CHG |
| 1 | D016TH001 | 1 | DOCUMENT SCANNER UNIT (SP) 2 *1 | MFC-L5850DW | | CHG |
| 1 | D016TF001 | 1 | DOCUMENT SCANNER UNIT (SP) 2 *1 | MFC-L5900DW | | CHG |
| 1 | D016TF001 | 1 | DOCUMENT SCANNER UNIT (SP) 2 *1 | MFC-L5902DW | | CHG |
| 1 | D016TF001 | 1 | DOCUMENT SCANNER UNIT (SP) 2 *1 | MFC-L6700DW | | CHG |
| 1 | D016TF001 | 1 | DOCUMENT SCANNER UNIT (SP) 2 *1 | MFC-L6702DW | | CHG |
| 1 | D016TF002 | 1 | DOCUMENT SCANNER UNIT (SP) 2 *1 | MFC-L6750DW | | CHG |
| 1 | D016TF001 | 1 | DOCUMENT SCANNER UNIT (SP) 2 *1 | MFC-L6800DW | FOR USA | CHG |
| 1 | D016TF002 | 1 | DOCUMENT SCANNER UNIT (SP) 2 *1 | MFC-L6800DW | FOR GER/UK/SWI/ITA/IBE/ISR/ RUS/PND/CEE/GEN/ITA_CONSIP | CHG |
| 1 | D016TF002 | 1 | DOCUMENT SCANNER UNIT (SP) 2 *1 | MFC-L6900DW | | CHG |
| 1 | D016TF002 | 1 | DOCUMENT SCANNER UNIT (SP) 2 *1 | MFC-L6900DWG | | CHG |
| 1 | D016TF002 | 1 | DOCUMENT SCANNER UNIT (SP) 2 *1 | MFC-L6900DWX | | CHG |
| 1 | D016TF002 | 1 | DOCUMENT SCANNER UNIT (SP) 2 *1 | MFC-L6902DW | | CHG |
| 1 | D016TF002 | 1 | DOCUMENT SCANNER UNIT (SP) 2 *1 | MFC-L6950DW | | CHG |
| 1 | D016TF002 | 1 | DOCUMENT SCANNER UNIT (SP) 2 *1 | MFC-L6970DW | | CHG |
| 1-1 | LT3308001 | 1 | FIRST SIDE CIS UNIT | | | |
| 1-2 | D000L4001 | 1 | FIRST SIDE CIS FLAT CABLE | DCP-L5500D | | |
| 1-2 | D000L4001 | 1 | FIRST SIDE CIS FLAT CABLE | DCP-L5500DN | | |
| 1-2 | D000L4001 | 1 | FIRST SIDE CIS FLAT CABLE | DCP-L5502DN | | |
| 1-2 | D000KY001 | 1 | FIRST SIDE CIS FLAT CABLE | DCP-L5600DN | | |
| 1-2 | D000KY001 | 1 | FIRST SIDE CIS FLAT CABLE | DCP-L5602DN | | |
| 1-2 | D000KY001 | 1 | FIRST SIDE CIS FLAT CABLE | DCP-L5650DN | | |
| 1-2 | D000KY001 | 1 | FIRST SIDE CIS FLAT CABLE | DCP-L5652DN | | |
| 1-2 | D000KY002 | 1 | FIRST SIDE CIS FLAT CABLE | DCP-L6600DW | | |
| 1-2 | D000L4001 | 1 | FIRST SIDE CIS FLAT CABLE | MFC-8530DN | | |
| 1-2 | D000L4001 | 1 | FIRST SIDE CIS FLAT CABLE | MFC-8535DN | | |
| 1-2 | D000L4001 | 1 | FIRST SIDE CIS FLAT CABLE | MFC-8540DN | | |
| 1-2 | D000L4001 | 1 | FIRST SIDE CIS FLAT CABLE | MFC-L5700DN | | |
| 1-2 | D000L4001 | 1 | FIRST SIDE CIS FLAT CABLE | MFC-L5700DW | | |
| 1-2 | D000L4001 | 1 | FIRST SIDE CIS FLAT CABLE | MFC-L5702DW | | |
| 1-2 | D000L4001 | 1 | FIRST SIDE CIS FLAT CABLE | MFC-L5750DW | | |
| 1-2 | D000L4001 | 1 | FIRST SIDE CIS FLAT CABLE | MFC-L5755DW | | |
| 1-2 | D000KY001 | 1 | FIRST SIDE CIS FLAT CABLE | MFC-L5800DW | | |
| 1-2 | D000KY001 | 1 | FIRST SIDE CIS FLAT CABLE | MFC-L5802DW | | |
| 1-2 | D000KY001 | 1 | FIRST SIDE CIS FLAT CABLE | MFC-L5850DW | | |
| 1-2 | D000KY001 | 1 | FIRST SIDE CIS FLAT CABLE | MFC-L5900DW | | |
| 1-2 | D000KY001 | 1 | FIRST SIDE CIS FLAT CABLE | MFC-L5902DW | | |
| 1-2 | D000KY001 | 1 | FIRST SIDE CIS FLAT CABLE | MFC-L6700DW | | |
| 1-2 | D000KY001 | 1 | FIRST SIDE CIS FLAT CABLE | MFC-L6702DW | | |
| 1-2 | D000KY002 | 1 | FIRST SIDE CIS FLAT CABLE | MFC-L6750DW | | |
| 1-2 | D000KY001 | 1 | FIRST SIDE CIS FLAT CABLE | MFC-L6800DW | FOR USA | |
| 1-2 | D000KY002 | 1 | FIRST SIDE CIS FLAT CABLE | MFC-L6800DW | FOR GER/UK/SWI/ITA/IBE/ISR/ RUS/PND/CEE/GEN/ITA_CONSIP | |
| 1-2 | D000KY002 | 1 | FIRST SIDE CIS FLAT CABLE | MFC-L6900DW | | |
| 1-2 | D000KY002 | 1 | FIRST SIDE CIS FLAT CABLE | MFC-L6900DWG | | |
| 1-2 | D000KY002 | 1 | FIRST SIDE CIS FLAT CABLE | MFC-L6900DWX | | |
| 1-2 | D000KY002 | 1 | FIRST SIDE CIS FLAT CABLE | MFC-L6902DW | | |
| 1-2 | D000KY002 | 1 | FIRST SIDE CIS FLAT CABLE | MFC-L6950DW | | |
| 1-2 | D000KY002 | 1 | FIRST SIDE CIS FLAT CABLE | MFC-L6970DW | | |

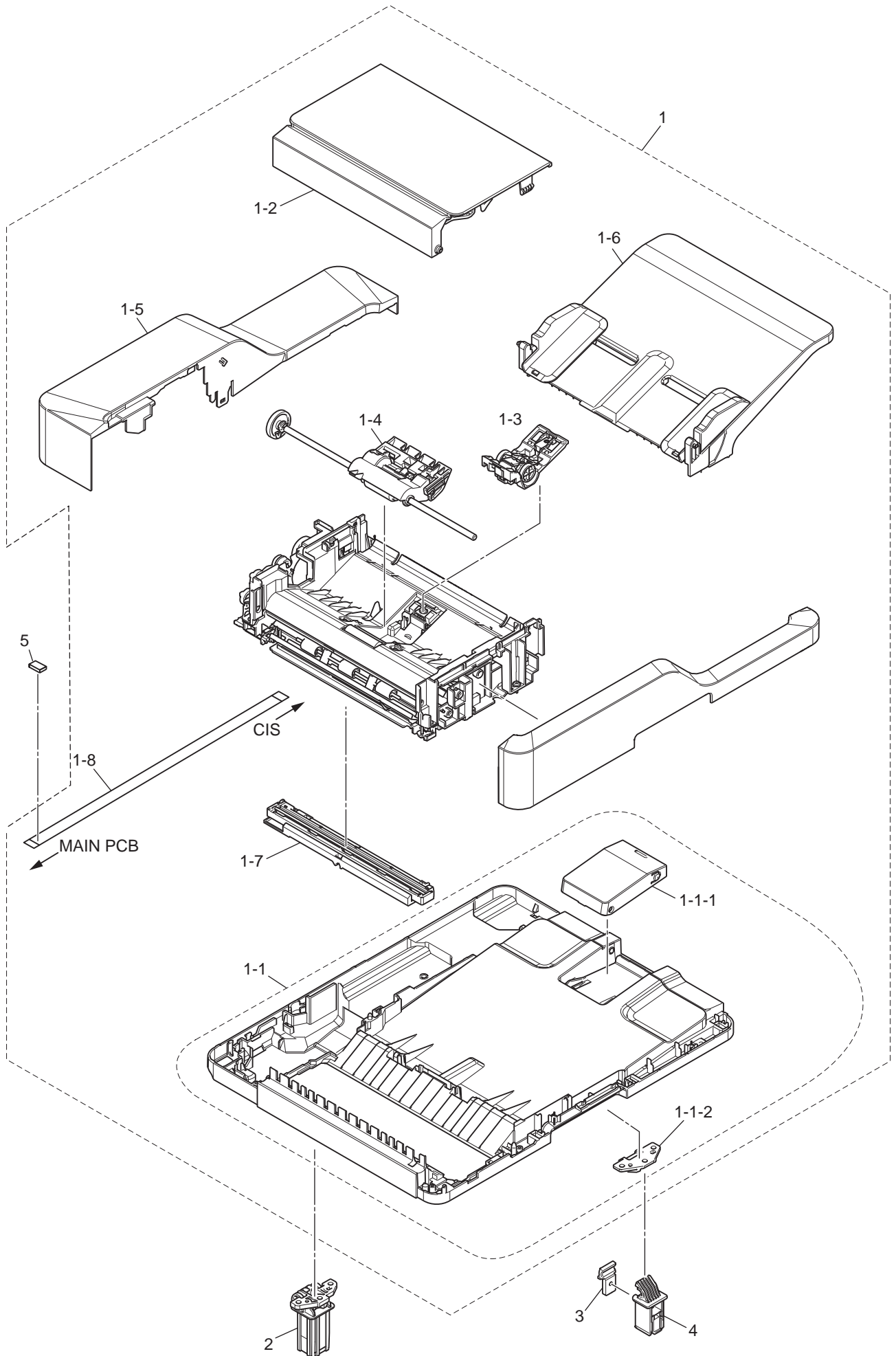
10. DOCUMENT SCANNER

| REF No. | CODE | Q'TY | DESCRIPTION | MODEL | SPEC | REMARKS |
|---------|-----------|------|----------------------|-------|------|---------|
| 1-3 | LV0531001 | 1 | USB HOST PCB ASSY | | | |
| 1-4 | D0021V001 | 1 | USB PROTECTION SHEET | | | |

***1** On the FB FG harness of DOCUMENT SCANNER UNIT(SP)2, [Screw cup M3x8(Black)] its screw and terminal was changed as follows. Since the screw head of the [screw cup M3x8 screw (Black)] will interfere with the new terminal of the FB FG harness, this screw cannot be used. Therefore DOCUMENT SCANNER UNIT(SP)2 include the new [Screw bind M3x8] in it. And this new [Screw bind M3x8] can be used for both new and old terminal.

| | Screw | FB FG harness terminal |
|----------|------------------------|---|
| Old type | Screw cup M3x8 (Black) |  |
| New type | Screw bind M3x8 |  |

11. ADF & DOCUMENT COVER



11. ADF & DOCUMENT COVER

| REF No. | CODE | Q'TY | DESCRIPTION | MODEL | SPEC | REMARKS |
|---------|-----------|------|---------------------|--------------|---|---------|
| 1 | D0167R001 | 1 | ADF UNIT (SP) | DCP-L5500D | | CHG |
| 1 | D0167R001 | 1 | ADF UNIT (SP) | DCP-L5500DN | | CHG |
| 1 | D0167R001 | 1 | ADF UNIT (SP) | DCP-L5502DN | | CHG |
| 1 | D0167W001 | 1 | ADF UNIT (SP) | DCP-L5600DN | | CHG |
| 1 | D0167W001 | 1 | ADF UNIT (SP) | DCP-L5602DN | | CHG |
| 1 | D0167S001 | 1 | ADF UNIT (SP) | DCP-L5650DN | | CHG |
| 1 | D0167S001 | 1 | ADF UNIT (SP) | DCP-L5652DN | | CHG |
| 1 | D0167U002 | 1 | ADF UNIT (SP) | DCP-L6600DW | | CHG |
| 1 | D0167R001 | 1 | ADF UNIT (SP) | MFC-8530DN | | CHG |
| 1 | D0167R001 | 1 | ADF UNIT (SP) | MFC-8535DN | | CHG |
| 1 | D014VS001 | 1 | ADF UNIT (SP) | MFC-8540DN | | CHG |
| 1 | D0167R001 | 1 | ADF UNIT (SP) | MFC-L5700DN | | CHG |
| 1 | D0167R001 | 1 | ADF UNIT (SP) | MFC-L5700DW | | CHG |
| 1 | D0167R001 | 1 | ADF UNIT (SP) | MFC-L5702DW | | CHG |
| 1 | D014VS001 | 1 | ADF UNIT (SP) | MFC-L5750DW | | CHG |
| 1 | D014VS001 | 1 | ADF UNIT (SP) | MFC-L5755DW | | CHG |
| 1 | D0167W001 | 1 | ADF UNIT (SP) | MFC-L5800DW | | CHG |
| 1 | D0167W001 | 1 | ADF UNIT (SP) | MFC-L5802DW | | CHG |
| 1 | D0167S001 | 1 | ADF UNIT (SP) | MFC-L5850DW | | CHG |
| 1 | D0167S001 | 1 | ADF UNIT (SP) | MFC-L5900DW | | CHG |
| 1 | D0167S001 | 1 | ADF UNIT (SP) | MFC-L5902DW | | CHG |
| 1 | D0167S001 | 1 | ADF UNIT (SP) | MFC-L6700DW | | CHG |
| 1 | D0167S001 | 1 | ADF UNIT (SP) | MFC-L6702DW | | CHG |
| 1 | D0167S002 | 1 | ADF UNIT (SP) | MFC-L6750DW | | CHG |
| 1 | D0167U001 | 1 | ADF UNIT (SP) | MFC-L6800DW | FOR USA | CHG |
| 1 | D0167U002 | 1 | ADF UNIT (SP) | MFC-L6800DW | FOR GER/UK/SWI/ITA/IBE/ISR/ RUS/PND/CEE/GEN/ITA_CONSIP | CHG |
| 1 | D0167U002 | 1 | ADF UNIT (SP) | MFC-L6900DW | | CHG |
| 1 | D0167U002 | 1 | ADF UNIT (SP) | MFC-L6900DWG | | CHG |
| 1 | D016TF002 | 1 | ADF UNIT (SP) 2 | MFC-L6900DWX | | |
| 1 | D0167U002 | 1 | ADF UNIT (SP) | MFC-L6902DW | | CHG |
| 1 | D0167U002 | 1 | ADF UNIT (SP) | MFC-L6950DW | | CHG |
| 1 | D0167U002 | 1 | ADF UNIT (SP) | MFC-L6970DW | | CHG |
| 1-1 | D001R6001 | 1 | DOCUMENT COVER ASSY | DCP-L5500D | | |
| 1-1 | D001R6001 | 1 | DOCUMENT COVER ASSY | DCP-L5500DN | | |
| 1-1 | D001R6001 | 1 | DOCUMENT COVER ASSY | DCP-L5502DN | | |
| 1-1 | D001T4001 | 1 | DOCUMENT COVER ASSY | DCP-L5600DN | | |
| 1-1 | D001T4001 | 1 | DOCUMENT COVER ASSY | DCP-L5602DN | | |
| 1-1 | D001T4001 | 1 | DOCUMENT COVER ASSY | DCP-L5650DN | | |
| 1-1 | D001T4001 | 1 | DOCUMENT COVER ASSY | DCP-L5652DN | | |
| 1-1 | D001T4002 | 1 | DOCUMENT COVER ASSY | DCP-L6600DW | | |
| 1-1 | D001R6001 | 1 | DOCUMENT COVER ASSY | MFC-8530DN | | |
| 1-1 | D001R6001 | 1 | DOCUMENT COVER ASSY | MFC-8535DN | | |
| 1-1 | D001R6001 | 1 | DOCUMENT COVER ASSY | MFC-8540DN | | |
| 1-1 | D001R6001 | 1 | DOCUMENT COVER ASSY | MFC-L5700DN | | |
| 1-1 | D001R6001 | 1 | DOCUMENT COVER ASSY | MFC-L5700DW | | |
| 1-1 | D001R6001 | 1 | DOCUMENT COVER ASSY | MFC-L5702DW | | |
| 1-1 | D001R6001 | 1 | DOCUMENT COVER ASSY | MFC-L5750DW | | |
| 1-1 | D001R6001 | 1 | DOCUMENT COVER ASSY | MFC-L5755DW | | |
| 1-1 | D001T4001 | 1 | DOCUMENT COVER ASSY | MFC-L5800DW | | |
| 1-1 | D001T4001 | 1 | DOCUMENT COVER ASSY | MFC-L5802DW | | |
| 1-1 | D001T4001 | 1 | DOCUMENT COVER ASSY | MFC-L5850DW | | |
| 1-1 | D001T4001 | 1 | DOCUMENT COVER ASSY | MFC-L5900DW | | |
| 1-1 | D001T4001 | 1 | DOCUMENT COVER ASSY | MFC-L5902DW | | |
| 1-1 | D001T4001 | 1 | DOCUMENT COVER ASSY | MFC-L6700DW | | |
| 1-1 | D001T4001 | 1 | DOCUMENT COVER ASSY | MFC-L6702DW | | |
| 1-1 | D001T4002 | 1 | DOCUMENT COVER ASSY | MFC-L6750DW | | |
| 1-1 | D001T4001 | 1 | DOCUMENT COVER ASSY | MFC-L6800DW | FOR USA | |
| 1-1 | D001T4002 | 1 | DOCUMENT COVER ASSY | MFC-L6800DW | FOR GER/UK/SWI/ITA/IBE/ISR/ RUS/PND/CEE/GEN/ITA_CONSIP | |
| 1-1 | D001T4002 | 1 | DOCUMENT COVER ASSY | MFC-L6900DW | | |
| 1-1 | D001T4002 | 1 | DOCUMENT COVER ASSY | MFC-L6900DWG | | |
| 1-1 | D001T4002 | 1 | DOCUMENT COVER ASSY | MFC-L6900DWX | | |
| 1-1 | D001T4002 | 1 | DOCUMENT COVER ASSY | MFC-L6902DW | | |
| 1-1 | D001T4002 | 1 | DOCUMENT COVER ASSY | MFC-L6950DW | | |
| 1-1 | D001T4002 | 1 | DOCUMENT COVER ASSY | MFC-L6970DW | | |
| 1-1-1 | D001RA001 | 1 | DOCUMENT STOPPER | DCP-L5500D | | |
| 1-1-1 | D001RA001 | 1 | DOCUMENT STOPPER | DCP-L5500DN | | |

11. ADF & DOCUMENT COVER

| REF No. | CODE | Q'TY | DESCRIPTION | MODEL | SPEC | REMARKS |
|---------|-----------|------|------------------|--------------|--|---------|
| 1-1-1 | D001RA001 | 1 | DOCUMENT STOPPER | DCP-L5502DN | | |
| 1-1-1 | D000UP001 | 1 | DOCUMENT STOPPER | DCP-L5600DN | | |
| 1-1-1 | D000UP001 | 1 | DOCUMENT STOPPER | DCP-L5602DN | | |
| 1-1-1 | D000UP001 | 1 | DOCUMENT STOPPER | DCP-L5650DN | | |
| 1-1-1 | D000UP001 | 1 | DOCUMENT STOPPER | DCP-L5652DN | | |
| 1-1-1 | D000UP002 | 1 | DOCUMENT STOPPER | DCP-L6600DW | | |
| 1-1-1 | D001RA001 | 1 | DOCUMENT STOPPER | MFC-8530DN | | |
| 1-1-1 | D001RA001 | 1 | DOCUMENT STOPPER | MFC-8535DN | | |
| 1-1-1 | D001RA001 | 1 | DOCUMENT STOPPER | MFC-8540DN | | |
| 1-1-1 | D001RA001 | 1 | DOCUMENT STOPPER | MFC-L5700DN | | |
| 1-1-1 | D001RA001 | 1 | DOCUMENT STOPPER | MFC-L5700DW | | |
| 1-1-1 | D001RA001 | 1 | DOCUMENT STOPPER | MFC-L5702DW | | |
| 1-1-1 | D001RA001 | 1 | DOCUMENT STOPPER | MFC-L5750DW | | |
| 1-1-1 | D001RA001 | 1 | DOCUMENT STOPPER | MFC-L5755DW | | |
| 1-1-1 | D000UP001 | 1 | DOCUMENT STOPPER | MFC-L5800DW | | |
| 1-1-1 | D000UP001 | 1 | DOCUMENT STOPPER | MFC-L5802DW | | |
| 1-1-1 | D000UP001 | 1 | DOCUMENT STOPPER | MFC-L5850DW | | |
| 1-1-1 | D000UP001 | 1 | DOCUMENT STOPPER | MFC-L5900DW | | |
| 1-1-1 | D000UP001 | 1 | DOCUMENT STOPPER | MFC-L5902DW | | |
| 1-1-1 | D000UP001 | 1 | DOCUMENT STOPPER | MFC-L6700DW | | |
| 1-1-1 | D000UP001 | 1 | DOCUMENT STOPPER | MFC-L6702DW | | |
| 1-1-1 | D000UP002 | 1 | DOCUMENT STOPPER | MFC-L6750DW | | |
| 1-1-1 | D000UP001 | 1 | DOCUMENT STOPPER | MFC-L6800DW | | |
| 1-1-1 | D000UP002 | 1 | DOCUMENT STOPPER | MFC-L6800DW | FOR USA FOR GER/UK/SWI/ITA/IBE/ISR/ RUS/PND/CEE/GEN/ITA_CONSIP | |
| 1-1-1 | D000UP002 | 1 | DOCUMENT STOPPER | MFC-L6900DW | | |
| 1-1-1 | D000UP002 | 1 | DOCUMENT STOPPER | MFC-L6900DWG | | |
| 1-1-1 | D000UP002 | 1 | DOCUMENT STOPPER | MFC-L6900DWX | | |
| 1-1-1 | D000UP002 | 1 | DOCUMENT STOPPER | MFC-L6902DW | | |
| 1-1-1 | D000UP002 | 1 | DOCUMENT STOPPER | MFC-L6950DW | | |
| 1-1-1 | D000UP002 | 1 | DOCUMENT STOPPER | MFC-L6970DW | | |
| 1-1-2 | LS8141005 | 1 | HINGE ARM R | DCP-L5500D | | |
| 1-1-2 | LS8141005 | 1 | HINGE ARM R | DCP-L5500DN | | |
| 1-1-2 | LS8141005 | 1 | HINGE ARM R | DCP-L5502DN | | |
| 1-1-2 | LS8141005 | 1 | HINGE ARM R | DCP-L5600DN | | |
| 1-1-2 | LS8141005 | 1 | HINGE ARM R | DCP-L5602DN | | |
| 1-1-2 | LS8141005 | 1 | HINGE ARM R | DCP-L5650DN | | |
| 1-1-2 | LS8141005 | 1 | HINGE ARM R | DCP-L5652DN | | |
| 1-1-2 | LS8141008 | 1 | HINGE ARM R | DCP-L6600DW | | |
| 1-1-2 | LS8141005 | 1 | HINGE ARM R | MFC-8530DN | | |
| 1-1-2 | LS8141005 | 1 | HINGE ARM R | MFC-8535DN | | |
| 1-1-2 | LS8141005 | 1 | HINGE ARM R | MFC-8540DN | | |
| 1-1-2 | LS8141005 | 1 | HINGE ARM R | MFC-L5700DN | | |
| 1-1-2 | LS8141005 | 1 | HINGE ARM R | MFC-L5700DW | | |
| 1-1-2 | LS8141005 | 1 | HINGE ARM R | MFC-L5702DW | | |
| 1-1-2 | LS8141005 | 1 | HINGE ARM R | MFC-L5750DW | | |
| 1-1-2 | LS8141005 | 1 | HINGE ARM R | MFC-L5755DW | | |
| 1-1-2 | LS8141005 | 1 | HINGE ARM R | MFC-L5800DW | | |
| 1-1-2 | LS8141005 | 1 | HINGE ARM R | MFC-L5802DW | | |
| 1-1-2 | LS8141005 | 1 | HINGE ARM R | MFC-L5850DW | | |
| 1-1-2 | LS8141005 | 1 | HINGE ARM R | MFC-L5900DW | | |
| 1-1-2 | LS8141005 | 1 | HINGE ARM R | MFC-L5902DW | | |
| 1-1-2 | LS8141005 | 1 | HINGE ARM R | MFC-L6700DW | | |
| 1-1-2 | LS8141005 | 1 | HINGE ARM R | MFC-L6702DW | | |
| 1-1-2 | LS8141008 | 1 | HINGE ARM R | MFC-L6750DW | | |
| 1-1-2 | LS8141005 | 1 | HINGE ARM R | MFC-L6800DW | | |
| 1-1-2 | LS8141008 | 1 | HINGE ARM R | MFC-L6800DW | FOR USA FOR GER/UK/SWI/ITA/IBE/ISR/ RUS/PND/CEE/GEN/ITA_CONSIP | |
| 1-1-2 | LS8141008 | 1 | HINGE ARM R | MFC-L6900DW | | |
| 1-1-2 | LS8141008 | 1 | HINGE ARM R | MFC-L6900DWG | | |
| 1-1-2 | LS8141008 | 1 | HINGE ARM R | MFC-L6900DWX | | |
| 1-1-2 | LS8141008 | 1 | HINGE ARM R | MFC-L6902DW | | |
| 1-1-2 | LS8141008 | 1 | HINGE ARM R | MFC-L6950DW | | |
| 1-1-2 | LS8141008 | 1 | HINGE ARM R | MFC-L6970DW | | |
| 1-2 | D014MU001 | 1 | ADF COVER ASSY | DCP-L5500D | | CHG |
| 1-2 | D014MU001 | 1 | ADF COVER ASSY | DCP-L5500DN | | CHG |
| 1-2 | D014MU001 | 1 | ADF COVER ASSY | DCP-L5502DN | | CHG |
| 1-2 | D014MU001 | 1 | ADF COVER ASSY | DCP-L5600DN | | CHG |

11. ADF & DOCUMENT COVER

| REF No. | CODE | Q'TY | DESCRIPTION | MODEL | SPEC | REMARKS |
|---------|-----------|------|-------------------------------|--------------|---|---------|
| 1-2 | D014MU001 | 1 | ADF COVER ASSY | DCP-L5602DN | | CHG |
| 1-2 | D014MU001 | 1 | ADF COVER ASSY | DCP-L5650DN | | CHG |
| 1-2 | D014MU001 | 1 | ADF COVER ASSY | DCP-L5652DN | | CHG |
| 1-2 | D014MU002 | 1 | ADF COVER ASSY | DCP-L6600DW | | CHG |
| 1-2 | D014MU001 | 1 | ADF COVER ASSY | MFC-8530DN | | CHG |
| 1-2 | D014MU001 | 1 | ADF COVER ASSY | MFC-8535DN | | CHG |
| 1-2 | D014MU001 | 1 | ADF COVER ASSY | MFC-8540DN | | CHG |
| 1-2 | D014MU001 | 1 | ADF COVER ASSY | MFC-L5700DN | | CHG |
| 1-2 | D014MU001 | 1 | ADF COVER ASSY | MFC-L5700DW | | CHG |
| 1-2 | D014MU001 | 1 | ADF COVER ASSY | MFC-L5702DW | | CHG |
| 1-2 | D014MU001 | 1 | ADF COVER ASSY | MFC-L5750DW | | CHG |
| 1-2 | D014MU001 | 1 | ADF COVER ASSY | MFC-L5755DW | | CHG |
| 1-2 | D014MU001 | 1 | ADF COVER ASSY | MFC-L5800DW | | CHG |
| 1-2 | D014MU001 | 1 | ADF COVER ASSY | MFC-L5802DW | | CHG |
| 1-2 | D014MU001 | 1 | ADF COVER ASSY | MFC-L5850DW | | CHG |
| 1-2 | D014MU001 | 1 | ADF COVER ASSY | MFC-L5900DW | | CHG |
| 1-2 | D014MU001 | 1 | ADF COVER ASSY | MFC-L5902DW | | CHG |
| 1-2 | D014MU001 | 1 | ADF COVER ASSY | MFC-L6700DW | | CHG |
| 1-2 | D014MU001 | 1 | ADF COVER ASSY | MFC-L6702DW | | CHG |
| 1-2 | D014MU002 | 1 | ADF COVER ASSY | MFC-L6750DW | | CHG |
| 1-2 | D014MU001 | 1 | ADF COVER ASSY | MFC-L6800DW | FOR USA | CHG |
| 1-2 | D014MU002 | 1 | ADF COVER ASSY | MFC-L6800DW | FOR GER/UK/SWI/ITA/IBE/ISR/ RUS/PND/CEE/GEN/ITA_CONSIP | CHG |
| 1-2 | D014MU002 | 1 | ADF COVER ASSY | MFC-L6900DW | | CHG |
| 1-2 | D014MU002 | 1 | ADF COVER ASSY | MFC-L6900DWG | | |
| 1-2 | D014MU002 | 1 | ADF COVER ASSY | MFC-L6900DWX | | |
| 1-2 | D014MU002 | 1 | ADF COVER ASSY | MFC-L6902DW | | CHG |
| 1-2 | D014MU002 | 1 | ADF COVER ASSY | MFC-L6950DW | | CHG |
| 1-2 | D014MU002 | 1 | ADF COVER ASSY | MFC-L6970DW | | CHG |
| 1-3 | D001R9001 | 1 | ADF SEPARATION HOLDER ASSY | | | |
| 1-4 | D00394001 | 1 | DOCUMENT SEPARATE ROLLER ASSY | DCP-L5500D | | |
| 1-4 | D00394001 | 1 | DOCUMENT SEPARATE ROLLER ASSY | DCP-L5500DN | | |
| 1-4 | D00394001 | 1 | DOCUMENT SEPARATE ROLLER ASSY | DCP-L5502DN | | |
| 1-4 | D0016R001 | 1 | DOCUMENT SEPARATE ROLLER ASSY | DCP-L5600DN | | |
| 1-4 | D0016R001 | 1 | DOCUMENT SEPARATE ROLLER ASSY | DCP-L5602DN | | |
| 1-4 | D0016R001 | 1 | DOCUMENT SEPARATE ROLLER ASSY | DCP-L5650DN | | |
| 1-4 | D0016R001 | 1 | DOCUMENT SEPARATE ROLLER ASSY | DCP-L5652DN | | |
| 1-4 | D00227001 | 1 | DOCUMENT SEPARATE ROLLER ASSY | DCP-L6600DW | | |
| 1-4 | D00394001 | 1 | DOCUMENT SEPARATE ROLLER ASSY | MFC-8530DN | | |
| 1-4 | D00394001 | 1 | DOCUMENT SEPARATE ROLLER ASSY | MFC-8535DN | | |
| 1-4 | D00394001 | 1 | DOCUMENT SEPARATE ROLLER ASSY | MFC-8540DN | | |
| 1-4 | D00394001 | 1 | DOCUMENT SEPARATE ROLLER ASSY | MFC-L5700DN | | |
| 1-4 | D00394001 | 1 | DOCUMENT SEPARATE ROLLER ASSY | MFC-L5700DW | | |
| 1-4 | D00394001 | 1 | DOCUMENT SEPARATE ROLLER ASSY | MFC-L5702DW | | |
| 1-4 | D00394001 | 1 | DOCUMENT SEPARATE ROLLER ASSY | MFC-L5750DW | | |
| 1-4 | D00394001 | 1 | DOCUMENT SEPARATE ROLLER ASSY | MFC-L5755DW | | |
| 1-4 | D0016R001 | 1 | DOCUMENT SEPARATE ROLLER ASSY | MFC-L5800DW | | |
| 1-4 | D0016R001 | 1 | DOCUMENT SEPARATE ROLLER ASSY | MFC-L5802DW | | |
| 1-4 | D0016R001 | 1 | DOCUMENT SEPARATE ROLLER ASSY | MFC-L5850DW | | |
| 1-4 | D0016R001 | 1 | DOCUMENT SEPARATE ROLLER ASSY | MFC-L5900DW | | |
| 1-4 | D0016R001 | 1 | DOCUMENT SEPARATE ROLLER ASSY | MFC-L5902DW | | |
| 1-4 | D0016R001 | 1 | DOCUMENT SEPARATE ROLLER ASSY | MFC-L6700DW | | |
| 1-4 | D0016R001 | 1 | DOCUMENT SEPARATE ROLLER ASSY | MFC-L6702DW | | |
| 1-4 | D0016R001 | 1 | DOCUMENT SEPARATE ROLLER ASSY | MFC-L6750DW | | |
| 1-4 | D00227001 | 1 | DOCUMENT SEPARATE ROLLER ASSY | MFC-L6800DW | | |
| 1-4 | D00227001 | 1 | DOCUMENT SEPARATE ROLLER ASSY | MFC-L6900DW | | |
| 1-4 | D00227001 | 1 | DOCUMENT SEPARATE ROLLER ASSY | MFC-L6900DWG | | |
| 1-4 | D00227001 | 1 | DOCUMENT SEPARATE ROLLER ASSY | MFC-L6900DWX | | |
| 1-4 | D00227001 | 1 | DOCUMENT SEPARATE ROLLER ASSY | MFC-L6902DW | | |
| 1-4 | D00227001 | 1 | DOCUMENT SEPARATE ROLLER ASSY | MFC-L6950DW | | |
| 1-4 | D00227001 | 1 | DOCUMENT SEPARATE ROLLER ASSY | MFC-L6970DW | | |
| 1-5 | D000NE001 | 1 | GEAR COVER | DCP-L5500D | | |
| 1-5 | D000NE001 | 1 | GEAR COVER | DCP-L5500DN | | |
| 1-5 | D000NE001 | 1 | GEAR COVER | DCP-L5502DN | | |
| 1-5 | D000UX001 | 1 | GEAR COVER | DCP-L5600DN | | |
| 1-5 | D000UX001 | 1 | GEAR COVER | DCP-L5602DN | | |
| 1-5 | D000UX001 | 1 | GEAR COVER | DCP-L5650DN | | |
| 1-5 | D000UX001 | 1 | GEAR COVER | DCP-L5652DN | | |

11. ADF & DOCUMENT COVER

| REF No. | CODE | Q'TY | DESCRIPTION | MODEL | SPEC | REMARKS |
|---------|-----------|------|------------------------|--------------|------|---------|
| 1-5 | D000UX002 | 1 | GEAR COVER | DCP-L6600DW | | |
| 1-5 | D000NE001 | 1 | GEAR COVER | MFC-8530DN | | |
| 1-5 | D000NE001 | 1 | GEAR COVER | MFC-8535DN | | |
| 1-5 | D000NE001 | 1 | GEAR COVER | MFC-8540DN | | |
| 1-5 | D000NE001 | 1 | GEAR COVER | MFC-L5700DN | | |
| 1-5 | D000NE001 | 1 | GEAR COVER | MFC-L5700DW | | |
| 1-5 | D000NE001 | 1 | GEAR COVER | MFC-L5702DW | | |
| 1-5 | D000NE001 | 1 | GEAR COVER | MFC-L5750DW | | |
| 1-5 | D000NE001 | 1 | GEAR COVER | MFC-L5755DW | | |
| 1-5 | D000UX001 | 1 | GEAR COVER | MFC-L5800DW | | |
| 1-5 | D000UX001 | 1 | GEAR COVER | MFC-L5802DW | | |
| 1-5 | D000UX001 | 1 | GEAR COVER | MFC-L5850DW | | |
| 1-5 | D000UX001 | 1 | GEAR COVER | MFC-L5900DW | | |
| 1-5 | D000UX001 | 1 | GEAR COVER | MFC-L5902DW | | |
| 1-5 | D000UX001 | 1 | GEAR COVER | MFC-L6700DW | | |
| 1-5 | D000UX001 | 1 | GEAR COVER | MFC-L6702DW | | |
| 1-5 | D000UX002 | 1 | GEAR COVER | MFC-L6750DW | | |
| 1-5 | D000UX001 | 1 | GEAR COVER | MFC-L6800DW | | |
| 1-5 | D000UX002 | 1 | GEAR COVER | MFC-L6800DW | | |
| 1-5 | D000UX002 | 1 | GEAR COVER | MFC-L6900DW | | |
| 1-5 | D000UX002 | 1 | GEAR COVER | MFC-L6900DWG | | |
| 1-5 | D000UX002 | 1 | GEAR COVER | MFC-L6900DWX | | |
| 1-5 | D000UX002 | 1 | GEAR COVER | MFC-L6902DW | | |
| 1-5 | D000UX002 | 1 | GEAR COVER | MFC-L6950DW | | |
| 1-5 | D000UX002 | 1 | GEAR COVER | MFC-L6970DW | | |
| 1-6 | D008UC001 | 1 | DOCUMENT SUB TRAY (SP) | DCP-L5500D | | |
| 1-6 | D008UC001 | 1 | DOCUMENT SUB TRAY (SP) | DCP-L5500DN | | |
| 1-6 | D008UC001 | 1 | DOCUMENT SUB TRAY (SP) | DCP-L5502DN | | |
| 1-6 | D008UC001 | 1 | DOCUMENT SUB TRAY (SP) | DCP-L5600DN | | |
| 1-6 | D008UC001 | 1 | DOCUMENT SUB TRAY (SP) | DCP-L5602DN | | |
| 1-6 | D008UC001 | 1 | DOCUMENT SUB TRAY (SP) | DCP-L5650DN | | |
| 1-6 | D008UC001 | 1 | DOCUMENT SUB TRAY (SP) | DCP-L5652DN | | |
| 1-6 | D008UC002 | 1 | DOCUMENT SUB TRAY (SP) | DCP-L6600DW | | |
| 1-6 | D008UC001 | 1 | DOCUMENT SUB TRAY (SP) | MFC-8530DN | | |
| 1-6 | D008UC001 | 1 | DOCUMENT SUB TRAY (SP) | MFC-8535DN | | |
| 1-6 | D008UC001 | 1 | DOCUMENT SUB TRAY (SP) | MFC-8540DN | | |
| 1-6 | D008UC001 | 1 | DOCUMENT SUB TRAY (SP) | MFC-L5700DN | | |
| 1-6 | D008UC001 | 1 | DOCUMENT SUB TRAY (SP) | MFC-L5700DW | | |
| 1-6 | D008UC001 | 1 | DOCUMENT SUB TRAY (SP) | MFC-L5702DW | | |
| 1-6 | D008UC001 | 1 | DOCUMENT SUB TRAY (SP) | MFC-L5750DW | | |
| 1-6 | D008UC001 | 1 | DOCUMENT SUB TRAY (SP) | MFC-L5755DW | | |
| 1-6 | D008UC001 | 1 | DOCUMENT SUB TRAY (SP) | MFC-L5800DW | | |
| 1-6 | D008UC001 | 1 | DOCUMENT SUB TRAY (SP) | MFC-L5802DW | | |
| 1-6 | D008UC001 | 1 | DOCUMENT SUB TRAY (SP) | MFC-L5850DW | | |
| 1-6 | D008UC001 | 1 | DOCUMENT SUB TRAY (SP) | MFC-L5900DW | | |
| 1-6 | D008UC001 | 1 | DOCUMENT SUB TRAY (SP) | MFC-L5902DW | | |
| 1-6 | D008UC001 | 1 | DOCUMENT SUB TRAY (SP) | MFC-L6700DW | | |
| 1-6 | D008UC001 | 1 | DOCUMENT SUB TRAY (SP) | MFC-L6702DW | | |
| 1-6 | D008UC002 | 1 | DOCUMENT SUB TRAY (SP) | MFC-L6750DW | | |
| 1-6 | D008UC001 | 1 | DOCUMENT SUB TRAY (SP) | MFC-L6800DW | | |
| 1-6 | D008UC002 | 1 | DOCUMENT SUB TRAY (SP) | MFC-L6800DW | | |
| 1-6 | D008UC002 | 1 | DOCUMENT SUB TRAY (SP) | MFC-L6900DW | | |
| 1-6 | D008UC002 | 1 | DOCUMENT SUB TRAY (SP) | MFC-L6900DWG | | |
| 1-6 | D008UC002 | 1 | DOCUMENT SUB TRAY (SP) | MFC-L6900DWX | | |
| 1-6 | D008UC002 | 1 | DOCUMENT SUB TRAY (SP) | MFC-L6902DW | | |
| 1-6 | D008UC002 | 1 | DOCUMENT SUB TRAY (SP) | MFC-L6950DW | | |
| 1-6 | D008UC002 | 1 | DOCUMENT SUB TRAY (SP) | MFC-L6970DW | | |
| 1-7 | LT3308001 | 1 | SECOND SIDE CIS UNIT | DCP-L5650DN | | |
| 1-7 | LT3308001 | 1 | SECOND SIDE CIS UNIT | DCP-L5652DN | | |
| 1-7 | LT3308001 | 1 | SECOND SIDE CIS UNIT | DCP-L6600DW | | |
| 1-7 | LT3308001 | 1 | SECOND SIDE CIS UNIT | MFC-8540DN | | |
| 1-7 | LT3308001 | 1 | SECOND SIDE CIS UNIT | MFC-L5750DW | | |
| 1-7 | LT3308001 | 1 | SECOND SIDE CIS UNIT | MFC-L5755DW | | |
| 1-7 | LT3308001 | 1 | SECOND SIDE CIS UNIT | MFC-L5850DW | | |
| 1-7 | LT3308001 | 1 | SECOND SIDE CIS UNIT | MFC-L5900DW | | |
| 1-7 | LT3308001 | 1 | SECOND SIDE CIS UNIT | MFC-L5902DW | | |

FOR USA
FOR GER/UK/SWI/ITA/IBE/ISR/
RUS/PND/CEE/GEN/ITA_CONSIP

FOR USA
FOR GER/UK/SWI/ITA/IBE/ISR/
RUS/PND/CEE/GEN/ITA_CONSIP

11. ADF & DOCUMENT COVER

| REF No. | CODE | Q'TY | DESCRIPTION | MODEL | SPEC | REMARKS |
|---------|-----------|------|----------------------------|--------------|-----------------------------|---------|
| 1-7 | LT3308001 | 1 | SECOND SIDE CIS UNIT | MFC-L6700DW | | |
| 1-7 | LT3308001 | 1 | SECOND SIDE CIS UNIT | MFC-L6702DW | | |
| 1-7 | LT3308001 | 1 | SECOND SIDE CIS UNIT | MFC-L6750DW | | |
| 1-7 | LT3308001 | 1 | SECOND SIDE CIS UNIT | MFC-L6800DW | | |
| 1-7 | LT3308001 | 1 | SECOND SIDE CIS UNIT | MFC-L6900DW | | |
| 1-7 | LT3308001 | 1 | SECOND SIDE CIS UNIT | MFC-L6900DWG | | |
| 1-7 | LT3308001 | 1 | SECOND SIDE CIS UNIT | MFC-L6900DWX | | |
| 1-7 | LT3308001 | 1 | SECOND SIDE CIS UNIT | MFC-L6902DW | | |
| 1-7 | LT3308001 | 1 | SECOND SIDE CIS UNIT | MFC-L6950DW | | |
| 1-7 | LT3308001 | 1 | SECOND SIDE CIS UNIT | MFC-L6970DW | | |
| 1-8 | D000L0001 | 1 | SECOND SIDE CIS FLAT CABLE | DCP-L5650DN | | |
| 1-8 | D000L0001 | 1 | SECOND SIDE CIS FLAT CABLE | DCP-L5652DN | | |
| 1-8 | D000L3001 | 1 | SECOND SIDE CIS FLAT CABLE | DCP-L6600DW | | |
| 1-8 | D000L0001 | 1 | SECOND SIDE CIS FLAT CABLE | MFC-8540DN | | |
| 1-8 | D000L0001 | 1 | SECOND SIDE CIS FLAT CABLE | MFC-L5750DW | | |
| 1-8 | D000L0001 | 1 | SECOND SIDE CIS FLAT CABLE | MFC-L5755DW | | |
| 1-8 | D000L0001 | 1 | SECOND SIDE CIS FLAT CABLE | MFC-L5850DW | | |
| 1-8 | D000L0001 | 1 | SECOND SIDE CIS FLAT CABLE | MFC-L5900DW | | |
| 1-8 | D000L0001 | 1 | SECOND SIDE CIS FLAT CABLE | MFC-L5902DW | | |
| 1-8 | D000L0001 | 1 | SECOND SIDE CIS FLAT CABLE | MFC-L6700DW | | |
| 1-8 | D000L0001 | 1 | SECOND SIDE CIS FLAT CABLE | MFC-L6702DW | | |
| 1-8 | D000L0001 | 1 | SECOND SIDE CIS FLAT CABLE | MFC-L6750DW | | |
| 1-8 | D000L3001 | 1 | SECOND SIDE CIS FLAT CABLE | MFC-L6800DW | | |
| 1-8 | D000L3001 | 1 | SECOND SIDE CIS FLAT CABLE | MFC-L6900DW | | |
| 1-8 | D000L3001 | 1 | SECOND SIDE CIS FLAT CABLE | MFC-L6900DWG | | |
| 1-8 | D000L3001 | 1 | SECOND SIDE CIS FLAT CABLE | MFC-L6900DWX | | |
| 1-8 | D000L3001 | 1 | SECOND SIDE CIS FLAT CABLE | MFC-L6902DW | | |
| 1-8 | D000L3001 | 1 | SECOND SIDE CIS FLAT CABLE | MFC-L6950DW | | |
| 1-8 | D000L3001 | 1 | SECOND SIDE CIS FLAT CABLE | MFC-L6970DW | | |
| 2 | D00M4H001 | 1 | HINGE L ASSY | DCP-L5500D | | chg |
| 2 | D00M4H001 | 1 | HINGE L ASSY | DCP-L5500DN | | chg |
| 2 | D00M4H001 | 1 | HINGE L ASSY | DCP-L5502DN | | chg |
| 2 | D00RTT001 | 1 | HINGE L ASSY | DCP-L5600DN | | chg |
| 2 | D00RTT001 | 1 | HINGE L ASSY | DCP-L5602DN | | chg |
| 2 | D00M4G001 | 1 | HINGE L ASSY | DCP-L5650DN | | chg |
| 2 | D00M4G001 | 1 | HINGE L ASSY | DCP-L5652DN | | chg |
| 2 | D00M4G002 | 1 | HINGE L ASSY | DCP-L6600DW | | chg |
| 2 | D00M4H001 | 1 | HINGE L ASSY | MFC-8530DN | | chg |
| 2 | D00M4H001 | 1 | HINGE L ASSY | MFC-8535DN | | chg |
| 2 | D00RTT001 | 1 | HINGE L ASSY | MFC-8540DN | | chg |
| 2 | D00M4H001 | 1 | HINGE L ASSY | MFC-L5700DN | | chg |
| 2 | D00M4H001 | 1 | HINGE L ASSY | MFC-L5700DW | | chg |
| 2 | D00M4H001 | 1 | HINGE L ASSY | MFC-L5702DW | | chg |
| 2 | D00RTT001 | 1 | HINGE L ASSY | MFC-L5750DW | | chg |
| 2 | D00RTT001 | 1 | HINGE L ASSY | MFC-L5755DW | | chg |
| 2 | D00RTT001 | 1 | HINGE L ASSY | MFC-L5800DW | | chg |
| 2 | D00RTT001 | 1 | HINGE L ASSY | MFC-L5802DW | | chg |
| 2 | D00M4G001 | 1 | HINGE L ASSY | MFC-L5850DW | | chg |
| 2 | D00M4G001 | 1 | HINGE L ASSY | MFC-L5900DW | | chg |
| 2 | D00M4G001 | 1 | HINGE L ASSY | MFC-L5902DW | | chg |
| 2 | D00M4G001 | 1 | HINGE L ASSY | MFC-L6700DW | | chg |
| 2 | D00M4G001 | 1 | HINGE L ASSY | MFC-L6702DW | | chg |
| 2 | D00M4G002 | 1 | HINGE L ASSY | MFC-L6750DW | | chg |
| 2 | D00M4G001 | 1 | HINGE L ASSY | MFC-L6800DW | | chg |
| 2 | D00M4G002 | 1 | HINGE L ASSY | MFC-L6800DW | | chg |
| 2 | D00M4G002 | 1 | HINGE L ASSY | MFC-L6900DW | | chg |
| 2 | D00M4G002 | 1 | HINGE L ASSY | MFC-L6900DWG | | |
| 2 | D00M4G002 | 1 | HINGE L ASSY | MFC-L6900DWX | | |
| 2 | D00M4G002 | 1 | HINGE L ASSY | MFC-L6902DW | | chg |
| 2 | D00M4G002 | 1 | HINGE L ASSY | MFC-L6950DW | | chg |
| 2 | D00M4G002 | 1 | HINGE L ASSY | MFC-L6970DW | | |
| 3 | LS8155005 | 1 | HINGE R SUPPORT | DCP-L5500D | | |
| 3 | LS8155005 | 1 | HINGE R SUPPORT | DCP-L5500DN | | |
| 3 | LS8155005 | 1 | HINGE R SUPPORT | DCP-L5502DN | | |
| 3 | LS8155005 | 1 | HINGE R SUPPORT | DCP-L5600DN | | |
| 3 | LS8155005 | 1 | HINGE R SUPPORT | DCP-L5602DN | | |
| 3 | LS8155005 | 1 | HINGE R SUPPORT | DCP-L5650DN | | |
| | | | | | FOR USA | |
| | | | | | FOR GER/UK/SWI/ITA/IBE/ISR/ | |
| | | | | | RUS/PND/CEE/GEN/ITA_CONSIP | |
| 2 | D00M4G002 | 1 | HINGE L ASSY | MFC-L6900DW | | chg |
| 2 | D00M4G002 | 1 | HINGE L ASSY | MFC-L6900DWG | | |
| 2 | D00M4G002 | 1 | HINGE L ASSY | MFC-L6900DWX | | |
| 2 | D00M4G002 | 1 | HINGE L ASSY | MFC-L6902DW | | chg |
| 2 | D00M4G002 | 1 | HINGE L ASSY | MFC-L6950DW | | chg |
| 2 | D00M4G002 | 1 | HINGE L ASSY | MFC-L6970DW | | |

11. ADF & DOCUMENT COVER

| REF No. | CODE | Q'TY | DESCRIPTION | MODEL | SPEC | REMARKS |
|---------|-----------|------|-----------------|--------------|------|---------|
| 3 | LS8155005 | 1 | HINGE R SUPPORT | DCP-L5652DN | | |
| 3 | LS8155008 | 1 | HINGE R SUPPORT | DCP-L6600DW | | |
| 3 | LS8155005 | 1 | HINGE R SUPPORT | MFC-8530DN | | |
| 3 | LS8155005 | 1 | HINGE R SUPPORT | MFC-8535DN | | |
| 3 | LS8155005 | 1 | HINGE R SUPPORT | MFC-8540DN | | |
| 3 | LS8155005 | 1 | HINGE R SUPPORT | MFC-L5700DN | | |
| 3 | LS8155005 | 1 | HINGE R SUPPORT | MFC-L5700DW | | |
| 3 | LS8155005 | 1 | HINGE R SUPPORT | MFC-L5702DW | | |
| 3 | LS8155005 | 1 | HINGE R SUPPORT | MFC-L5750DW | | |
| 3 | LS8155005 | 1 | HINGE R SUPPORT | MFC-L5755DW | | |
| 3 | LS8155005 | 1 | HINGE R SUPPORT | MFC-L5800DW | | |
| 3 | LS8155005 | 1 | HINGE R SUPPORT | MFC-L5802DW | | |
| 3 | LS8155005 | 1 | HINGE R SUPPORT | MFC-L5850DW | | |
| 3 | LS8155005 | 1 | HINGE R SUPPORT | MFC-L5900DW | | |
| 3 | LS8155005 | 1 | HINGE R SUPPORT | MFC-L5902DW | | |
| 3 | LS8155005 | 1 | HINGE R SUPPORT | MFC-L6700DW | | |
| 3 | LS8155005 | 1 | HINGE R SUPPORT | MFC-L6702DW | | |
| 3 | LS8155008 | 1 | HINGE R SUPPORT | MFC-L6750DW | | |
| 3 | LS8155005 | 1 | HINGE R SUPPORT | MFC-L6800DW | | |
| 3 | LS8155008 | 1 | HINGE R SUPPORT | MFC-L6800DW | | |
| 3 | LS8155008 | 1 | HINGE R SUPPORT | MFC-L6900DW | | |
| 3 | LS8155008 | 1 | HINGE R SUPPORT | MFC-L6900DWG | | |
| 3 | LS8155008 | 1 | HINGE R SUPPORT | MFC-L6900DWX | | |
| 3 | LS8155008 | 1 | HINGE R SUPPORT | MFC-L6902DW | | |
| 3 | LS8155008 | 1 | HINGE R SUPPORT | MFC-L6950DW | | |
| 3 | LS8155008 | 1 | HINGE R SUPPORT | MFC-L6970DW | | |
| 4 | LX5180005 | 1 | HINGE R | DCP-L5500D | | |
| 4 | LX5180005 | 1 | HINGE R | DCP-L5500DN | | |
| 4 | LX5180005 | 1 | HINGE R | DCP-L5502DN | | |
| 4 | LX5180005 | 1 | HINGE R | DCP-L5600DN | | |
| 4 | LX5180005 | 1 | HINGE R | DCP-L5602DN | | |
| 4 | LX5180005 | 1 | HINGE R | DCP-L5650DN | | |
| 4 | LX5180005 | 1 | HINGE R | DCP-L5652DN | | |
| 4 | LX5180008 | 1 | HINGE R | DCP-L6600DW | | |
| 4 | LX5180005 | 1 | HINGE R | MFC-8530DN | | |
| 4 | LX5180005 | 1 | HINGE R | MFC-8535DN | | |
| 4 | LX5180005 | 1 | HINGE R | MFC-8540DN | | |
| 4 | LX5180005 | 1 | HINGE R | MFC-L5700DN | | |
| 4 | LX5180005 | 1 | HINGE R | MFC-L5700DW | | |
| 4 | LX5180005 | 1 | HINGE R | MFC-L5702DW | | |
| 4 | LX5180005 | 1 | HINGE R | MFC-L5750DW | | |
| 4 | LX5180005 | 1 | HINGE R | MFC-L5755DW | | |
| 4 | LX5180005 | 1 | HINGE R | MFC-L5800DW | | |
| 4 | LX5180005 | 1 | HINGE R | MFC-L5802DW | | |
| 4 | LX5180005 | 1 | HINGE R | MFC-L5850DW | | |
| 4 | LX5180005 | 1 | HINGE R | MFC-L5900DW | | |
| 4 | LX5180005 | 1 | HINGE R | MFC-L5902DW | | |
| 4 | LX5180005 | 1 | HINGE R | MFC-L6700DW | | |
| 4 | LX5180005 | 1 | HINGE R | MFC-L6702DW | | |
| 4 | LX5180008 | 1 | HINGE R | MFC-L6750DW | | |
| 4 | LX5180005 | 1 | HINGE R | MFC-L6800DW | | |
| 4 | LX5180008 | 1 | HINGE R | MFC-L6800DW | | |
| 4 | LX5180008 | 1 | HINGE R | MFC-L6900DW | | |
| 4 | LX5180008 | 1 | HINGE R | MFC-L6900DWG | | |
| 4 | LX5180008 | 1 | HINGE R | MFC-L6900DWX | | |
| 4 | LX5180008 | 1 | HINGE R | MFC-L6902DW | | |
| 4 | LX5180008 | 1 | HINGE R | MFC-L6950DW | | |
| 4 | LX5180008 | 1 | HINGE R | MFC-L6970DW | | |
| 5 | D00221001 | 1 | GUIDE SPONGE | DCP-L5650DN | | chg |
| 5 | D00221001 | 1 | GUIDE SPONGE | DCP-L5652DN | | chg |
| 5 | D00221001 | 1 | GUIDE SPONGE | DCP-L6600DW | | chg |
| 5 | D00221001 | 1 | GUIDE SPONGE | MFC-8540DN | | chg |
| 5 | D00221001 | 1 | GUIDE SPONGE | MFC-L5750DW | | chg |
| 5 | D00221001 | 1 | GUIDE SPONGE | MFC-L5755DW | | chg |
| 5 | D00221001 | 1 | GUIDE SPONGE | MFC-L5850DW | | chg |
| 5 | D00221001 | 1 | GUIDE SPONGE | MFC-L5900DW | | chg |

FOR USA
FOR GER/UK/SWI/ITA/IBE/ISR/
RUS/PND/CEE/GEN/ITA_CONSIP

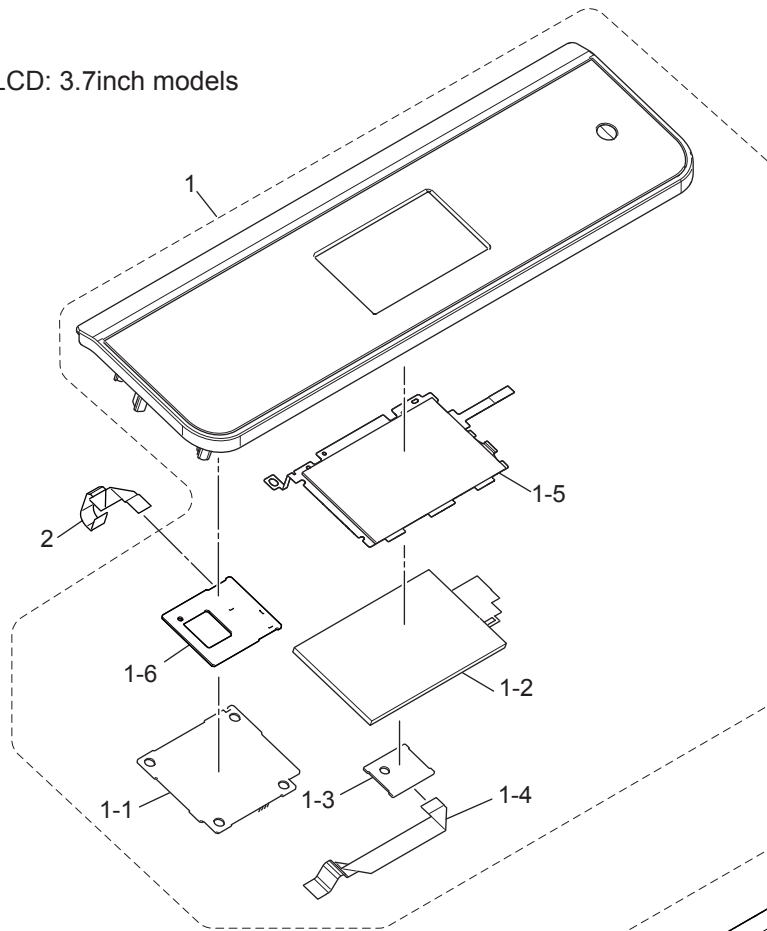
FOR USA
FOR GER/UK/SWI/ITA/IBE/ISR/
RUS/PND/CEE/GEN/ITA_CONSIP

11. ADF & DOCUMENT COVER

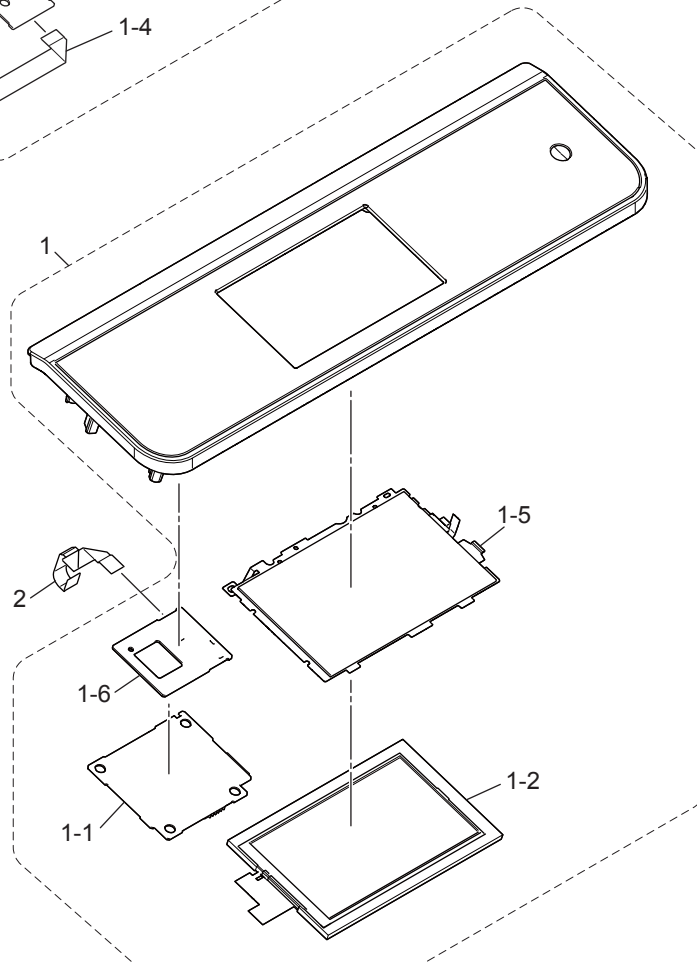
| REF No. | CODE | Q'TY | DESCRIPTION | MODEL | SPEC | REMARKS |
|---------|-----------|------|--------------|--------------|------|---------|
| 5 | D00221001 | 1 | GUIDE SPONGE | MFC-L5902DW | | chg |
| 5 | D00221001 | 1 | GUIDE SPONGE | MFC-L6700DW | | chg |
| 5 | D00221001 | 1 | GUIDE SPONGE | MFC-L6702DW | | chg |
| 5 | D00221001 | 1 | GUIDE SPONGE | MFC-L6750DW | | chg |
| 5 | D00221001 | 1 | GUIDE SPONGE | MFC-L6800DW | | chg |
| 5 | D00221001 | 1 | GUIDE SPONGE | MFC-L6900DW | | chg |
| 5 | D00221001 | 1 | GUIDE SPONGE | MFC-L6900DWG | | |
| 5 | D00221001 | 1 | GUIDE SPONGE | MFC-L6900DWX | | |
| 5 | D00221001 | 1 | GUIDE SPONGE | MFC-L6902DW | | chg |
| 5 | D00221001 | 1 | GUIDE SPONGE | MFC-L6950DW | | chg |
| 5 | D00221001 | 1 | GUIDE SPONGE | MFC-L6970DW | | |

12. PANEL

For LCD: 3.7inch models



For LCD: 4.85inch models



12. PANEL

| REF No. | CODE | Q'TY | DESCRIPTION | MODEL | SPEC | REMARKS |
|---------|-----------|------|--------------------|--------------|---|---------|
| 1 | D008MN001 | 1 | PANEL UNIT | DCP-L5500D | | |
| 1 | D0054A001 | 1 | PANEL UNIT | DCP-L5500DN | FOR USA | |
| 1 | D005A9001 | 1 | PANEL UNIT | DCP-L5500DN | FOR GER/UK/SWI/ITA/IBE/RUS/ FRA/BEL/NLD/PND/CEE/ITA | |
| 1 | D005WF001 | 1 | PANEL UNIT | DCP-L5502DN | | |
| 1 | D0055E001 | 1 | PANEL UNIT | DCP-L5600DN | FOR USA/ARG | |
| 1 | D008FM001 | 1 | PANEL UNIT | DCP-L5600DN | FOR ASA/IND | |
| 1 | D005WJ001 | 1 | PANEL UNIT | DCP-L5602DN | | |
| 1 | D0055U001 | 1 | PANEL UNIT | DCP-L5650DN | | |
| 1 | D005WM001 | 1 | PANEL UNIT | DCP-L5652DN | | |
| 1 | D0196R001 | 1 | PANEL UNIT (New) | DCP-L6600DW | FOR GER/UK/SWI/ITA/IBE/ISR/ RUS/PND/CEE/GEN | CHG |
| 1 | D00LNW001 | 1 | PANEL UNIT (Old) * | DCP-L6600DW | FOR ARG | |
| 1 | D01B5X001 | 1 | PANEL UNIT (New) * | DCP-L6600DW | FOR ARG | ADD |
| 1 | D003RZ001 | 1 | PANEL UNIT | MFC-8530DN | | |
| 1 | D003UR001 | 1 | PANEL UNIT | MFC-8535DN | | |
| 1 | D003UK001 | 1 | PANEL UNIT (Old) * | MFC-8540DN | | |
| 1 | D0196N001 | 1 | PANEL UNIT (New) * | MFC-8540DN | | ADD |
| 1 | D001RZ001 | 1 | PANEL UNIT | MFC-L5700DN | | |
| 1 | D00442001 | 1 | PANEL UNIT | MFC-L5700DW | | |
| 1 | D003T5001 | 1 | PANEL UNIT | MFC-L5702DW | | |
| 1 | D001S6001 | 1 | PANEL UNIT | MFC-L5750DW | | |
| 1 | D007V2001 | 1 | PANEL UNIT | MFC-L5755DW | | |
| 1 | D003R0001 | 1 | PANEL UNIT | MFC-L5800DW | | |
| 1 | D003WB001 | 1 | PANEL UNIT | MFC-L5802DW | | |
| 1 | D006SU001 | 1 | PANEL UNIT | MFC-L5850DW | | |
| 1 | D001SV001 | 1 | PANEL UNIT | MFC-L5900DW | FOR USA/CAN/CHL | |
| 1 | D003SH001 | 1 | PANEL UNIT | MFC-L5900DW | FOR ASA/GULF/IND | |
| 1 | D003S8001 | 1 | PANEL UNIT | MFC-L5902DW | | |
| 1 | D001TA001 | 1 | PANEL UNIT | MFC-L6700DW | FOR USA/CAN/CHL/MEX | |
| 1 | D008K5001 | 1 | PANEL UNIT | MFC-L6700DW | FOR ARL/NZ/GULF | |
| 1 | D003SL001 | 1 | PANEL UNIT | MFC-L6702DW | | |
| 1 | D005SR001 | 1 | PANEL UNIT | MFC-L6750DW | | |
| 1 | D005KF001 | 1 | PANEL UNIT (Old) * | MFC-L6800DW | FOR USA | |
| 1 | D019YC001 | 1 | PANEL UNIT (New) * | MFC-L6800DW | FOR USA | ADD |
| 1 | D0196U001 | 1 | PANEL UNIT (New) | MFC-L6800DW | FOR GER/UK/SWI/ITA/IBE/ISR/ RUS/PND/CEE/GEN/ITA CONSIP | CHG |
| 1 | D001UG001 | 1 | PANEL UNIT (Old) * | MFC-L6900DW | FOR USA/CAN/ARG/CHL/MEX | |
| 1 | D019YB001 | 1 | PANEL UNIT (New) * | MFC-L6900DW | FOR USA/CAN/ARG/CHL/MEX | ADD |
| 1 | D018UM001 | 1 | PANEL UNIT (New) | MFC-L6900DW | FOR GER/UK/ARL/SWI/ITA/IBE/ ISR/NZ/ASA/KOR/RUS/ PND/CEE/GEN | CHG |
| 1 | D001UZ001 | 1 | PANEL UNIT (Old) * | MFC-L6900DW | FOR TWN/GULF | |
| 1 | D018UM001 | 1 | PANEL UNIT (New) * | MFC-L6900DW | FOR TWN/GULF | ADD |
| 1 | D00VZC001 | 1 | PANEL UNIT (Old) * | MFC-L6900DWG | | |
| 1 | D019YE001 | 1 | PANEL UNIT (New) * | MFC-L6900DWG | | ADD |
| 1 | D001UG001 | 1 | PANEL UNIT (Old) * | MFC-L6900DWX | | |
| 1 | D019YB001 | 1 | PANEL UNIT (New) * | MFC-L6900DWX | | ADD |
| 1 | D01B60001 | 1 | PANEL UNIT (New) | MFC-L6902DW | | CHG |
| 1 | D0196W001 | 1 | PANEL UNIT | MFC-L6950DW | FOR ITA CONSIP | |
| 1 | D0196W001 | 1 | PANEL UNIT (New) | MFC-L6950DW | FOR GER/UK/SWI/RUS/PND/GEN | CHG |
| 1 | D01970001 | 1 | PANEL UNIT (New) | MFC-L6970DW | | CHG |
| 1-1 | D000JT012 | 1 | PANEL PCB | DCP-L5500D | | |
| 1-1 | D000JT012 | 1 | PANEL PCB | DCP-L5500DN | | |
| 1-1 | D000JT012 | 1 | PANEL PCB | DCP-L5502DN | | |
| 1-1 | D000JT012 | 1 | PANEL PCB | DCP-L5600DN | | |
| 1-1 | D000JT012 | 1 | PANEL PCB | DCP-L5602DN | | |
| 1-1 | D000JT012 | 1 | PANEL PCB | DCP-L5650DN | | |
| 1-1 | D000JT012 | 1 | PANEL PCB | DCP-L5652DN | | |
| 1-1 | D000JT001 | 1 | PANEL PCB | DCP-L6600DW | | |
| 1-1 | D000JT012 | 1 | PANEL PCB | MFC-8530DN | | |
| 1-1 | D000JT012 | 1 | PANEL PCB | MFC-8535DN | | |
| 1-1 | D000JT011 | 1 | PANEL PCB | MFC-8540DN | | |
| 1-1 | D000JT012 | 1 | PANEL PCB | MFC-L5700DN | | |
| 1-1 | D000JT012 | 1 | PANEL PCB | MFC-L5700DW | | |
| 1-1 | D000JT012 | 1 | PANEL PCB | MFC-L5702DW | | |
| 1-1 | D000JT002 | 1 | PANEL PCB | MFC-L5750DW | | |

12. PANEL

| REF No. | CODE | Q'TY | DESCRIPTION | MODEL | SPEC | REMARKS |
|---------|-----------|------|----------------------|--------------|------|---------|
| 1-1 | D000JT012 | 1 | PANEL PCB | MFC-L5755DW | | |
| 1-1 | D000JT012 | 1 | PANEL PCB | MFC-L5800DW | | |
| 1-1 | D000JT012 | 1 | PANEL PCB | MFC-L5802DW | | |
| 1-1 | D000JT012 | 1 | PANEL PCB | MFC-L5850DW | | |
| 1-1 | D000JT012 | 1 | PANEL PCB | MFC-L5900DW | | |
| 1-1 | D000JT012 | 1 | PANEL PCB | MFC-L5902DW | | |
| 1-1 | D000JT002 | 1 | PANEL PCB | MFC-L6700DW | | |
| 1-1 | D000JT002 | 1 | PANEL PCB | MFC-L6702DW | | |
| 1-1 | D000JT002 | 1 | PANEL PCB | MFC-L6750DW | | |
| 1-1 | D000JT001 | 1 | PANEL PCB | MFC-L6800DW | | |
| 1-1 | D000JT001 | 1 | PANEL PCB | MFC-L6900DW | | |
| 1-1 | D000JT001 | 1 | PANEL PCB | MFC-L6900DWG | | |
| 1-1 | D000JT001 | 1 | PANEL PCB | MFC-L6900DWX | | |
| 1-1 | D000JT001 | 1 | PANEL PCB | MFC-L6902DW | | |
| 1-1 | D000JT001 | 1 | PANEL PCB | MFC-L6950DW | | |
| 1-1 | D000JT001 | 1 | PANEL PCB | MFC-L6970DW | | |
| 1-2 | A63291001 | 1 | LCD | DCP-L5500D | | chg |
| 1-2 | A63291001 | 1 | LCD | DCP-L5500DN | | chg |
| 1-2 | A63291001 | 1 | LCD | DCP-L5502DN | | chg |
| 1-2 | A63291001 | 1 | LCD | DCP-L5600DN | | chg |
| 1-2 | A63291001 | 1 | LCD | DCP-L5602DN | | chg |
| 1-2 | A63291001 | 1 | LCD | DCP-L5650DN | | chg |
| 1-2 | A63291001 | 1 | LCD | DCP-L5652DN | | chg |
| 1-2 | A62293001 | 1 | LCD | DCP-L6600DW | | add |
| 1-2 | A63291001 | 1 | LCD | MFC-8530DN | | chg |
| 1-2 | A63291001 | 1 | LCD | MFC-8535DN | | chg |
| 1-2 | A63291001 | 1 | LCD | MFC-8540DN | | chg |
| 1-2 | A63291001 | 1 | LCD | MFC-L5700DN | | chg |
| 1-2 | A63291001 | 1 | LCD | MFC-L5700DW | | chg |
| 1-2 | A63291001 | 1 | LCD | MFC-L5702DW | | chg |
| 1-2 | A62293001 | 1 | LCD | MFC-L5750DW | | add |
| 1-2 | A63291001 | 1 | LCD | MFC-L5755DW | | chg |
| 1-2 | A63291001 | 1 | LCD | MFC-L5800DW | | chg |
| 1-2 | A63291001 | 1 | LCD | MFC-L5802DW | | chg |
| 1-2 | A63291001 | 1 | LCD | MFC-L5850DW | | chg |
| 1-2 | A63291001 | 1 | LCD | MFC-L5900DW | | chg |
| 1-2 | A63291001 | 1 | LCD | MFC-L5902DW | | chg |
| 1-2 | A62293001 | 1 | LCD | MFC-L6700DW | | add |
| 1-2 | A62293001 | 1 | LCD | MFC-L6702DW | | add |
| 1-2 | A62293001 | 1 | LCD | MFC-L6750DW | | add |
| 1-2 | A62293001 | 1 | LCD | MFC-L6800DW | | add |
| 1-2 | A62293001 | 1 | LCD | MFC-L6900DW | | add |
| 1-2 | A62293001 | 1 | LCD | MFC-L6900DWG | | add |
| 1-2 | A62293001 | 1 | LCD | MFC-L6900DWX | | add |
| 1-2 | A62293001 | 1 | LCD | MFC-L6902DW | | add |
| 1-2 | A62293001 | 1 | LCD | MFC-L6950DW | | add |
| 1-2 | A62293001 | 1 | LCD | MFC-L6970DW | | add |
| 1-3 | D0013R001 | 1 | LCD RELAY PCB ASSY | DCP-L5500D | | |
| 1-3 | D0013R001 | 1 | LCD RELAY PCB ASSY | DCP-L5500DN | | |
| 1-3 | D0013R001 | 1 | LCD RELAY PCB ASSY | DCP-L5502DN | | |
| 1-3 | D0013R001 | 1 | LCD RELAY PCB ASSY | DCP-L5600DN | | |
| 1-3 | D0013R001 | 1 | LCD RELAY PCB ASSY | DCP-L5602DN | | |
| 1-3 | D0013R001 | 1 | LCD RELAY PCB ASSY | DCP-L5650DN | | |
| 1-3 | D0013R001 | 1 | LCD RELAY PCB ASSY | DCP-L5652DN | | |
| 1-3 | D0013R001 | 1 | LCD RELAY PCB ASSY | MFC-8530DN | | |
| 1-3 | D0013R001 | 1 | LCD RELAY PCB ASSY | MFC-8535DN | | |
| 1-3 | D0013R001 | 1 | LCD RELAY PCB ASSY | MFC-8540DN | | |
| 1-3 | D0013R001 | 1 | LCD RELAY PCB ASSY | MFC-L5700DN | | |
| 1-3 | D0013R001 | 1 | LCD RELAY PCB ASSY | MFC-L5700DW | | |
| 1-3 | D0013R001 | 1 | LCD RELAY PCB ASSY | MFC-L5702DW | | |
| 1-3 | D0013R001 | 1 | LCD RELAY PCB ASSY | MFC-L5755DW | | |
| 1-3 | D0013R001 | 1 | LCD RELAY PCB ASSY | MFC-L5800DW | | |
| 1-3 | D0013R001 | 1 | LCD RELAY PCB ASSY | MFC-L5802DW | | |
| 1-3 | D0013R001 | 1 | LCD RELAY PCB ASSY | MFC-L5850DW | | |
| 1-3 | D0013R001 | 1 | LCD RELAY PCB ASSY | MFC-L5900DW | | |
| 1-3 | D0013R001 | 1 | LCD RELAY PCB ASSY | MFC-L5902DW | | |
| 1-4 | D0013T001 | 1 | LCD RELAY FLAT CABLE | DCP-L5500D | | |
| 1-4 | D0013T001 | 1 | LCD RELAY FLAT CABLE | DCP-L5500DN | | |

12. PANEL

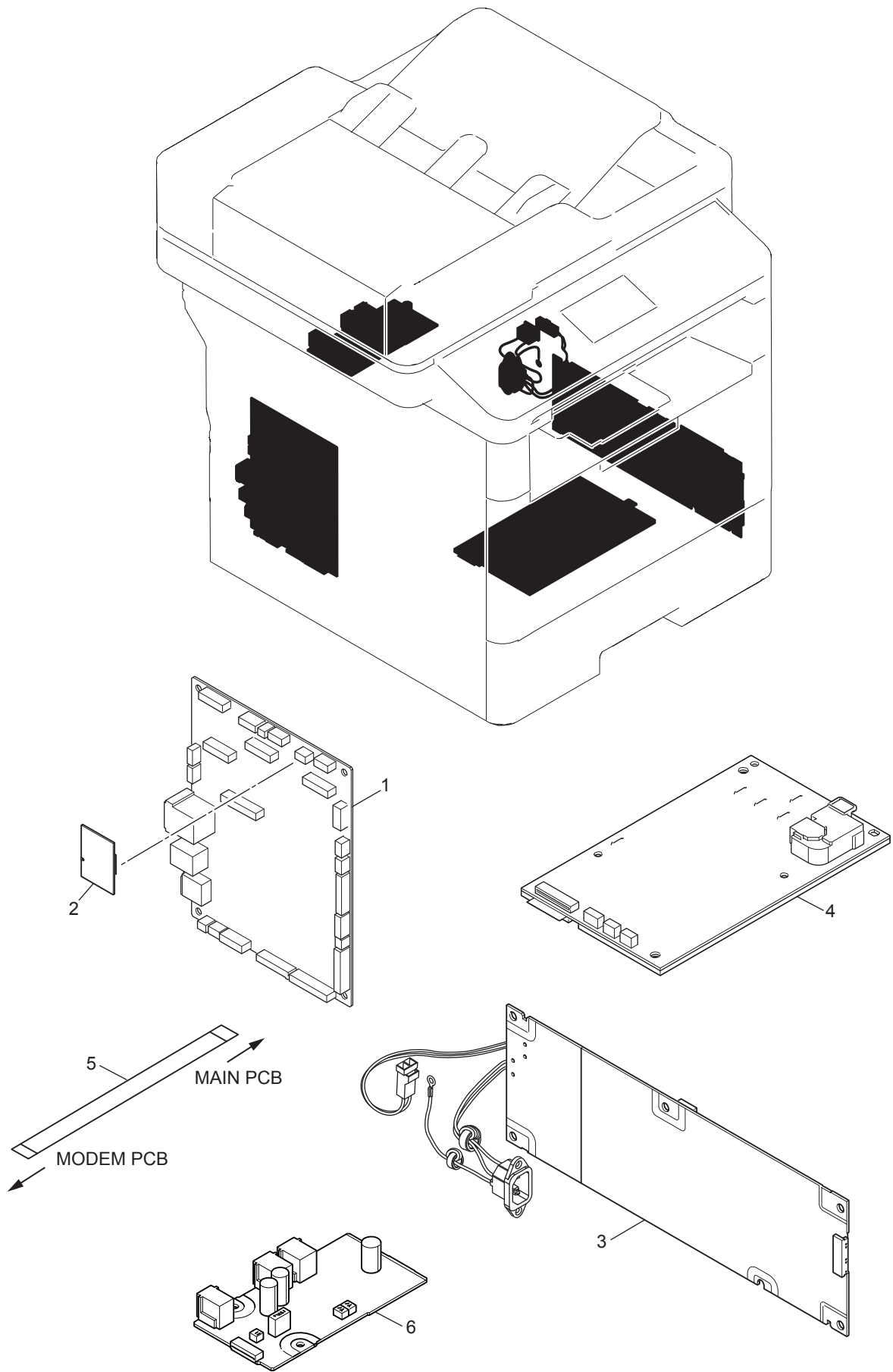
| REF No. | CODE | Q'TY | DESCRIPTION | MODEL | SPEC | REMARKS |
|---------|-----------|------|----------------------|--------------|--|---------|
| 1-4 | D0013T001 | 1 | LCD RELAY FLAT CABLE | DCP-L5502DN | | |
| 1-4 | D0013T001 | 1 | LCD RELAY FLAT CABLE | DCP-L5600DN | | |
| 1-4 | D0013T001 | 1 | LCD RELAY FLAT CABLE | DCP-L5602DN | | |
| 1-4 | D0013T001 | 1 | LCD RELAY FLAT CABLE | DCP-L5650DN | | |
| 1-4 | D0013T001 | 1 | LCD RELAY FLAT CABLE | DCP-L5652DN | | |
| 1-4 | D0013T001 | 1 | LCD RELAY FLAT CABLE | MFC-8530DN | | |
| 1-4 | D0013T001 | 1 | LCD RELAY FLAT CABLE | MFC-8535DN | | |
| 1-4 | D0013T001 | 1 | LCD RELAY FLAT CABLE | MFC-8540DN | | |
| 1-4 | D0013T001 | 1 | LCD RELAY FLAT CABLE | MFC-L5700DN | | |
| 1-4 | D0013T001 | 1 | LCD RELAY FLAT CABLE | MFC-L5700DW | | |
| 1-4 | D0013T001 | 1 | LCD RELAY FLAT CABLE | MFC-L5702DW | | |
| 1-4 | D0013T001 | 1 | LCD RELAY FLAT CABLE | MFC-L5755DW | | |
| 1-4 | D0013T001 | 1 | LCD RELAY FLAT CABLE | MFC-L5800DW | | |
| 1-4 | D0013T001 | 1 | LCD RELAY FLAT CABLE | MFC-L5802DW | | |
| 1-4 | D0013T001 | 1 | LCD RELAY FLAT CABLE | MFC-L5850DW | | |
| 1-4 | D0013T001 | 1 | LCD RELAY FLAT CABLE | MFC-L5900DW | | |
| 1-4 | D0013T001 | 1 | LCD RELAY FLAT CABLE | MFC-L5902DW | | |
| 1-5 | D008NU001 | 1 | TOUCH PANEL ASSY | DCP-L5500D | | |
| 1-5 | D008NU001 | 1 | TOUCH PANEL ASSY | DCP-L5500DN | | |
| 1-5 | D008NU001 | 1 | TOUCH PANEL ASSY | DCP-L5502DN | | |
| 1-5 | D008NU001 | 1 | TOUCH PANEL ASSY | DCP-L5600DN | | |
| 1-5 | D008NU001 | 1 | TOUCH PANEL ASSY | DCP-L5602DN | | |
| 1-5 | D008NU001 | 1 | TOUCH PANEL ASSY | DCP-L5650DN | | |
| 1-5 | D008NU001 | 1 | TOUCH PANEL ASSY | DCP-L5652DN | | |
| 1-5 | D008NX001 | 1 | TOUCH PANEL ASSY | DCP-L6600DW | | |
| 1-5 | D008NU001 | 1 | TOUCH PANEL ASSY | MFC-8530DN | | |
| 1-5 | D008NU001 | 1 | TOUCH PANEL ASSY | MFC-8535DN | | |
| 1-5 | D008NU001 | 1 | TOUCH PANEL ASSY | MFC-8540DN | | |
| 1-5 | D008NU001 | 1 | TOUCH PANEL ASSY | MFC-L5700DN | | |
| 1-5 | D008NU001 | 1 | TOUCH PANEL ASSY | MFC-L5700DW | | |
| 1-5 | D008NU001 | 1 | TOUCH PANEL ASSY | MFC-L5702DW | | |
| 1-5 | D008NX001 | 1 | TOUCH PANEL ASSY | MFC-L5750DW | | |
| 1-5 | D008NU001 | 1 | TOUCH PANEL ASSY | MFC-L5755DW | | |
| 1-5 | D008NU001 | 1 | TOUCH PANEL ASSY | MFC-L5800DW | | |
| 1-5 | D008NU001 | 1 | TOUCH PANEL ASSY | MFC-L5802DW | | |
| 1-5 | D008NU001 | 1 | TOUCH PANEL ASSY | MFC-L5850DW | | |
| 1-5 | D008NU001 | 1 | TOUCH PANEL ASSY | MFC-L5900DW | | |
| 1-5 | D008NU001 | 1 | TOUCH PANEL ASSY | MFC-L5902DW | | |
| 1-5 | D008NX001 | 1 | TOUCH PANEL ASSY | MFC-L6700DW | | |
| 1-5 | D008NX001 | 1 | TOUCH PANEL ASSY | MFC-L6702DW | | |
| 1-5 | D008NX001 | 1 | TOUCH PANEL ASSY | MFC-L6750DW | | |
| 1-5 | D008NX001 | 1 | TOUCH PANEL ASSY | MFC-L6800DW | | |
| 1-5 | D008NX001 | 1 | TOUCH PANEL ASSY | MFC-L6900DW | | |
| 1-5 | D008NX001 | 1 | TOUCH PANEL ASSY | MFC-L6900DWG | | |
| 1-5 | D008NX001 | 1 | TOUCH PANEL ASSY | MFC-L6900DWX | | |
| 1-5 | D008NX001 | 1 | TOUCH PANEL ASSY | MFC-L6902DW | | |
| 1-5 | D008NX001 | 1 | TOUCH PANEL ASSY | MFC-L6950DW | | |
| 1-5 | D008NX001 | 1 | TOUCH PANEL ASSY | MFC-L6970DW | | |
| 1-6 | D012X8011 | 1 | NFC PCB ASSY (New) | DCP-L6600DW | FOR GER/UK/SWI/ITA/IBE/ISR/RUS/P ND/CEE/GEN | CHG |
| 1-6 | D0000T001 | 1 | NFC PCB ASSY (Old) * | DCP-L6600DW | FOR ARG | |
| 1-6 | D012X8011 | 1 | NFC PCB ASSY (New) * | DCP-L6600DW | FOR ARG | ADD |
| 1-6 | D0000T001 | 1 | NFC PCB ASSY (Old) * | MFC-8540DN | | |
| 1-6 | D012X8011 | 1 | NFC PCB ASSY (New) * | MFC-8540DN | | ADD |
| 1-6 | D012X8011 | 1 | NFC PCB ASSY (New) | MFC-L6800DW | FOR GER/UK/SWI/ITA/IBE/ISR/RUS/P ND/CEE/GEN/ITA_CONSIP | CHG |
| 1-6 | D0000T001 | 1 | NFC PCB ASSY (Old) * | MFC-L6800DW | FOR USA | |
| 1-6 | D012X8011 | 1 | NFC PCB ASSY (New) * | MFC-L6800DW | FOR USA | ADD |
| 1-6 | D012X8011 | 1 | NFC PCB ASSY (New) | MFC-L6900DW | FOR GER/UK/ARL/SWI/ITA/IBE/ISR/N Z/ASA/KOR/RUS/PND/CEE/GEN | CHG |
| 1-6 | D0000T001 | 1 | NFC PCB ASSY (Old) * | MFC-L6900DW | FOR USA/CAN/TWN/ARG/CHL/GULF/MEX | |
| 1-6 | D012X8011 | 1 | NFC PCB ASSY (New) * | MFC-L6900DW | FOR USA/CAN/TWN/ARG/CHL/GULF/MEX | ADD |

12. PANEL

| REF No. | CODE | Q'TY | DESCRIPTION | MODEL | SPEC | REMARKS |
|---------|-----------|------|----------------------|--------------|----------------------------|---------|
| 1-6 | D0000T001 | 1 | NFC PCB ASSY (Old) * | MFC-L6900DWG | | |
| 1-6 | D012X8011 | 1 | NFC PCB ASSY (New) * | MFC-L6900DWG | | ADD |
| 1-6 | D0000T001 | 1 | NFC PCB ASSY (Old) * | MFC-L6900DWX | | |
| 1-6 | D012X8011 | 1 | NFC PCB ASSY (New) * | MFC-L6900DWX | | ADD |
| 1-6 | D012X8011 | 1 | NFC PCB ASSY (New) | MFC-L6902DW | | CHG |
| 1-6 | D012X8011 | 1 | NFC PCB ASSY | MFC-L6950DW | FOR ITA_CONSIP | |
| 1-6 | D012X8011 | 1 | NFC PCB ASSY (New) | MFC-L6950DW | FOR GER/UK/SWI/RUS/PND/GEN | CHG |
| 1-6 | D012X8011 | 1 | NFC PCB ASSY (New) | MFC-L6970DW | | CHG |
| 2 | D000JW001 | 1 | PANEL FLAT CABLE | | | |

*There is the difference between old and new parts.
[Please see the "APPENDIX: Thermistor" page for detail.](#)

13. PCB



13. PCB

| REF No. | CODE | Q'TY | DESCRIPTION | MODEL | SPEC | REMARKS |
|---------|-----------|------|-------------------------------------|--------------|--|---------|
| 1 | D0062M035 | 1 | MAIN PCB ASSY | DCP-L5500D | | |
| 1 | D001PH001 | 1 | MAIN PCB ASSY | DCP-L5500DN | | |
| 1 | D001PH001 | 1 | MAIN PCB ASSY | DCP-L5502DN | | |
| 1 | D000VT001 | 1 | MAIN PCB ASSY | DCP-L5600DN | FOR USA/ARG | |
| 1 | D000VT040 | 1 | MAIN PCB ASSY | DCP-L5600DN | FOR ASA/IND | |
| 1 | D000VT001 | 1 | MAIN PCB ASSY | DCP-L5602DN | | |
| 1 | D000VU001 | 1 | MAIN PCB ASSY | DCP-L5650DN | | |
| 1 | D000VU001 | 1 | MAIN PCB ASSY | DCP-L5652DN | | |
| 1 | D0059X003 | 1 | MAIN PCB ASSY | DCP-L6600DW | | |
| 1 | D000KM020 | 1 | MAIN PCB ASSY | MFC-8530DN | | |
| 1 | D000KM001 | 1 | MAIN PCB ASSY | MFC-8535DN | | |
| 1 | D001PG020 | 1 | MAIN PCB ASSY | MFC-8540DN | | |
| 1 | D000KM001 | 1 | MAIN PCB ASSY | MFC-L5700DN | FOR GER/UK/SWI/ITA/IBE/RUS/ FRA/BEL/NLD/PND/CEE | |
| 1 | D000KM020 | 1 | MAIN PCB ASSY | MFC-L5700DN | FOR TWN/ASA/GULF/KOR | |
| 1 | D0044D001 | 1 | MAIN PCB ASSY | MFC-L5700DW | FOR USA/CAN | |
| 1 | D0044D044 | 1 | MAIN PCB ASSY | MFC-L5700DW | FOR KOR | |
| 1 | D0044D001 | 1 | MAIN PCB ASSY | MFC-L5702DW | | |
| 1 | D000W1003 | 1 | MAIN PCB ASSY | MFC-L5750DW | | |
| 1 | D000W1003 | 1 | MAIN PCB ASSY | MFC-L5755DW | FOR ARL/NZ | |
| 1 | D000W1041 | 1 | MAIN PCB ASSY | MFC-L5755DW | FOR GULF | |
| 1 | D000KP001 | 1 | MAIN PCB ASSY | MFC-L5800DW | | |
| 1 | D000KP001 | 1 | MAIN PCB ASSY | MFC-L5802DW | | |
| 1 | D000VY001 | 1 | MAIN PCB ASSY | MFC-L5850DW | | |
| 1 | D000W6001 | 1 | MAIN PCB ASSY | MFC-L5900DW | FOR USA/CAN/CHL | |
| 1 | D000W6040 | 1 | MAIN PCB ASSY | MFC-L5900DW | FOR ASA/GULF/IND | |
| 1 | D000W6001 | 1 | MAIN PCB ASSY | MFC-L5902DW | | |
| 1 | D000W5001 | 1 | MAIN PCB ASSY | MFC-L6700DW | FOR USA/CAN/ARL/NZ/CHL/MEX | |
| 1 | D000W5041 | 1 | MAIN PCB ASSY | MFC-L6700DW | FOR GULF | |
| 1 | D000W5001 | 1 | MAIN PCB ASSY | MFC-L6702DW | | |
| 1 | D000W5001 | 1 | MAIN PCB ASSY | MFC-L6750DW | | |
| 1 | D000W4001 | 1 | MAIN PCB ASSY | MFC-L6800DW | | |
| 1 | D000KT001 | 1 | MAIN PCB ASSY | MFC-L6900DW | | |
| 1 | D00W3L001 | 1 | MAIN PCB ASSY | MFC-L6900DWG | | |
| 1 | D000KT001 | 1 | MAIN PCB ASSY | MFC-L6900DWX | | |
| 1 | D000KT001 | 1 | MAIN PCB ASSY | MFC-L6902DW | | |
| 1 | D000KT001 | 1 | MAIN PCB ASSY | MFC-L6950DW | | |
| 1 | D000KT001 | 1 | MAIN PCB ASSY | MFC-L6970DW | | |
| 2 | LD1969001 | 1 | WIRELESS LAN PCB | DCP-L6600DW | | |
| 2 | LD1969001 | 1 | WIRELESS LAN PCB | MFC-L5700DW | | |
| 2 | LD1969001 | 1 | WIRELESS LAN PCB | MFC-L5702DW | | |
| 2 | LD1969001 | 1 | WIRELESS LAN PCB | MFC-L5750DW | | |
| 2 | LD1969001 | 1 | WIRELESS LAN PCB | MFC-L5755DW | | |
| 2 | LD1969001 | 1 | WIRELESS LAN PCB | MFC-L5800DW | | |
| 2 | LD1969001 | 1 | WIRELESS LAN PCB | MFC-L5802DW | | |
| 2 | LD1969001 | 1 | WIRELESS LAN PCB | MFC-L5850DW | | |
| 2 | LD1969001 | 1 | WIRELESS LAN PCB | MFC-L5900DW | | |
| 2 | LD1969001 | 1 | WIRELESS LAN PCB | MFC-L5902DW | | |
| 2 | LD1969001 | 1 | WIRELESS LAN PCB | MFC-L6700DW | | |
| 2 | LD1969001 | 1 | WIRELESS LAN PCB | MFC-L6702DW | | |
| 2 | LD1969001 | 1 | WIRELESS LAN PCB | MFC-L6750DW | | |
| 2 | LD1969001 | 1 | WIRELESS LAN PCB | MFC-L6800DW | | |
| 2 | LD1969001 | 1 | WIRELESS LAN PCB | MFC-L6900DW | | |
| 2 | LD1969001 | 1 | WIRELESS LAN PCB | MFC-L6900DWG | | |
| 2 | LD1969001 | 1 | WIRELESS LAN PCB | MFC-L6900DWX | | |
| 2 | LD1969001 | 1 | WIRELESS LAN PCB | MFC-L6902DW | | |
| 2 | LD1969001 | 1 | WIRELESS LAN PCB | MFC-L6950DW | | |
| 2 | LD1969001 | 1 | WIRELESS LAN PCB | MFC-L6970DW | | |
| 3 | D000K0001 | 1 | LOW-VOLTAGE POWERSUPPLY PCB ASSY | DCP-L5500D | | |
| 3 | D000JY001 | 1 | LOW-VOLTAGE POWERSUPPLY PCB ASSY | DCP-L5500DN | FOR USA | |
| 3 | D000K0001 | 1 | LOW-VOLTAGE POWERSUPPLY PCB ASSY | DCP-L5500DN | FOR GER/UK/SWI/ITA/IBE/FRA/ BEL/NLD/PND/CEE/ITA | |
| 3 | D003DK001 | 1 | LOW-VOLTAGE POWERSUPPLY PCB ASSY | DCP-L5500DN | FOR RUS | |
| 3 | D003DJ001 | 1 | LOW-VOLTAGE POWERSUPPLY PCB ASSY | DCP-L5502DN | | |

13. PCB

| REF No. | CODE | Q'TY | DESCRIPTION | MODEL | SPEC | REMARKS |
|---------|-----------|------|----------------------------------|-------------|--|---------|
| 3 | D000JY001 | 1 | LOW-VOLTAGE POWERSUPPLY PCB ASSY | DCP-L5600DN | FOR USA | |
| 3 | D000K0001 | 1 | LOW-VOLTAGE POWERSUPPLY PCB ASSY | DCP-L5600DN | FOR ARG/ASA | |
| 3 | D003DK001 | 1 | LOW-VOLTAGE POWERSUPPLY PCB ASSY | DCP-L5600DN | FOR IND | |
| 3 | D003DJ001 | 1 | LOW-VOLTAGE POWERSUPPLY PCB ASSY | DCP-L5602DN | | |
| 3 | D000JY001 | 1 | LOW-VOLTAGE POWERSUPPLY PCB ASSY | DCP-L5650DN | FOR USA | |
| 3 | D000K0001 | 1 | LOW-VOLTAGE POWERSUPPLY PCB ASSY | DCP-L5650DN | FOR ARG/CHL | |
| 3 | D003DJ001 | 1 | LOW-VOLTAGE POWERSUPPLY PCB ASSY | DCP-L5652DN | | |
| 3 | D000K0001 | 1 | LOW-VOLTAGE POWERSUPPLY PCB ASSY | DCP-L6600DW | FOR GER/UK/SWI/ITA/IBE/ISR/ARG/PND/CEE/GEN | |
| 3 | D003DK001 | 1 | LOW-VOLTAGE POWERSUPPLY PCB ASSY | DCP-L6600DW | FOR RUS | |
| 3 | D000WM001 | 1 | LOW-VOLTAGE POWERSUPPLY PCB ASSY | MFC-8530DN | | |
| 3 | D000WM001 | 1 | LOW-VOLTAGE POWERSUPPLY PCB ASSY | MFC-8535DN | | |
| 3 | D000WM001 | 1 | LOW-VOLTAGE POWERSUPPLY PCB ASSY | MFC-8540DN | | |
| 3 | D000K0001 | 1 | LOW-VOLTAGE POWERSUPPLY PCB ASSY | MFC-L5700DN | FOR GER/UK/SWI/ITA/IBE/ASA/KOR/FRA/BEL/NLD/PND/CEE | |
| 3 | D000JY001 | 1 | LOW-VOLTAGE POWERSUPPLY PCB ASSY | MFC-L5700DN | FOR TWN | |
| 3 | D003DK001 | 1 | LOW-VOLTAGE POWERSUPPLY PCB ASSY | MFC-L5700DN | FOR GULF/RUS | |
| 3 | D000JY001 | 1 | LOW-VOLTAGE POWERSUPPLY PCB ASSY | MFC-L5700DW | FOR USA/CAN | |
| 3 | D000K0001 | 1 | LOW-VOLTAGE POWERSUPPLY PCB ASSY | MFC-L5700DW | FOR KOR | |
| 3 | D003DJ001 | 1 | LOW-VOLTAGE POWERSUPPLY PCB ASSY | MFC-L5702DW | | |
| 3 | D000K0001 | 1 | LOW-VOLTAGE POWERSUPPLY PCB ASSY | MFC-L5750DW | FOR GER/UK/SWI/ITA/IBE/ISR/TUR/FRA/BEL/NLD/CEE | |
| 3 | D003DK001 | 1 | LOW-VOLTAGE POWERSUPPLY PCB ASSY | MFC-L5750DW | FOR RUS | |
| 3 | D000K0001 | 1 | LOW-VOLTAGE POWERSUPPLY PCB ASSY | MFC-L5755DW | FOR ARL/NZ | |
| 3 | D003DK001 | 1 | LOW-VOLTAGE POWERSUPPLY PCB ASSY | MFC-L5755DW | FOR GULF | |
| 3 | D000JY001 | 1 | LOW-VOLTAGE POWERSUPPLY PCB ASSY | MFC-L5800DW | FOR USA/CAN | |
| 3 | D000K0001 | 1 | LOW-VOLTAGE POWERSUPPLY PCB ASSY | MFC-L5800DW | FOR ARG | |
| 3 | D003DJ001 | 1 | LOW-VOLTAGE POWERSUPPLY PCB ASSY | MFC-L5802DW | | |
| 3 | D000JY001 | 1 | LOW-VOLTAGE POWERSUPPLY PCB ASSY | MFC-L5850DW | | |
| 3 | D000JY001 | 1 | LOW-VOLTAGE POWERSUPPLY PCB ASSY | MFC-L5900DW | FOR USA/CAN | |
| 3 | D000K0001 | 1 | LOW-VOLTAGE POWERSUPPLY PCB ASSY | MFC-L5900DW | FOR CHL/ASA | |
| 3 | D003DK001 | 1 | LOW-VOLTAGE POWERSUPPLY PCB ASSY | MFC-L5900DW | FOR GULF/IND | |
| 3 | D003DJ001 | 1 | LOW-VOLTAGE POWERSUPPLY PCB ASSY | MFC-L5902DW | | |
| 3 | D000JY001 | 1 | LOW-VOLTAGE POWERSUPPLY PCB ASSY | MFC-L6700DW | FOR USA/CAN/MEX | |
| 3 | D000K0001 | 1 | LOW-VOLTAGE POWERSUPPLY PCB ASSY | MFC-L6700DW | FOR ARL/NZ/CHL | |
| 3 | D003DK001 | 1 | LOW-VOLTAGE POWERSUPPLY PCB ASSY | MFC-L6700DW | FOR GULF | |
| 3 | D003DJ001 | 1 | LOW-VOLTAGE POWERSUPPLY PCB ASSY | MFC-L6702DW | | |

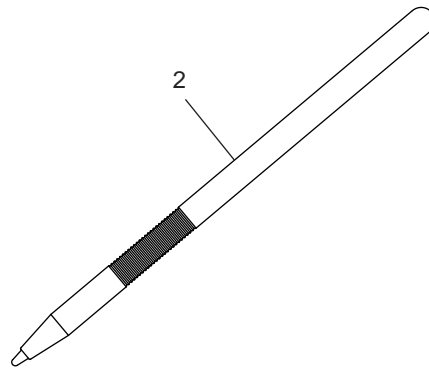
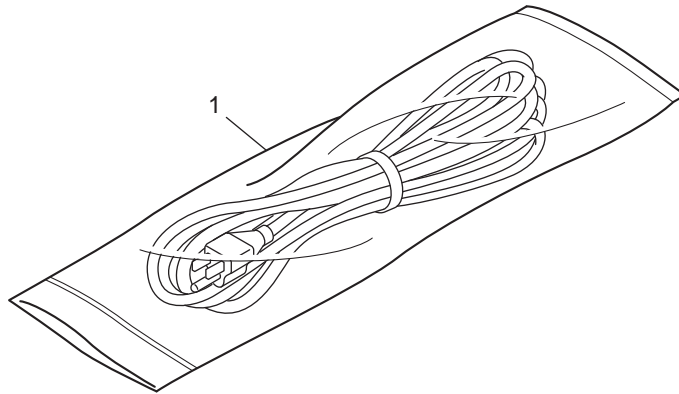
13. PCB

| REF No. | CODE | Q'TY | DESCRIPTION | MODEL | SPEC | REMARKS |
|---------|-----------|------|------------------------------------|--------------|---|---------|
| 3 | D000JY001 | 1 | LOW-VOLTAGE POWERSUPPLY PCB ASSY | MFC-L6750DW | | |
| 3 | D000JY001 | 1 | LOW-VOLTAGE POWERSUPPLY PCB ASSY | MFC-L6800DW | FOR USA | |
| 3 | D000K0001 | 1 | LOW-VOLTAGE POWERSUPPLY PCB ASSY | MFC-L6800DW | FOR GER/UK/SWI/ITA/IBE/ISR/PND/CEE/GEN/ITA_CONSIP | |
| 3 | D003DK001 | 1 | LOW-VOLTAGE POWERSUPPLY PCB ASSY | MFC-L6800DW | FOR RUS | |
| 3 | D000JY001 | 1 | LOW-VOLTAGE POWERSUPPLY PCB ASSY | MFC-L6900DW | FOR USA/CAN/TWN/MEX | |
| 3 | D000K0001 | 1 | LOW-VOLTAGE POWERSUPPLY PCB ASSY | MFC-L6900DW | FOR GER/UK/ARL/SWI/ITA/IBE/ISR/NZ/ARG/CHL/ASA/KOR/PND/CEE/GEN | |
| 3 | D003DK001 | 1 | LOW-VOLTAGE POWERSUPPLY PCB ASSY | MFC-L6900DW | FOR GULF/RUS | |
| 3 | D000JY001 | 1 | LOW-VOLTAGE POWERSUPPLY PCB ASSY | MFC-L6900DWG | | |
| 3 | D000JY001 | 1 | LOW-VOLTAGE POWERSUPPLY PCB ASSY | MFC-L6900DWX | | |
| 3 | D003DJ001 | 1 | LOW-VOLTAGE POWERSUPPLY PCB ASSY | MFC-L6902DW | | |
| 3 | D000K0001 | 1 | LOW-VOLTAGE POWERSUPPLY PCB ASSY | MFC-L6950DW | FOR | |
| 3 | D003DK001 | 1 | LOW-VOLTAGE POWERSUPPLY PCB ASSY | MFC-L6950DW | ITA_CONSIP/GER/UK/SWI/PND/ | FOR RUS |
| 3 | D000K0001 | 1 | LOW-VOLTAGE POWERSUPPLY PCB ASSY | MFC-L6970DW | | |
| 4 | D0000V001 | 1 | HIGH-VOLTAGE POWER SUPPLY PCB ASSY | | | |
| 5 | D000JH001 | 1 | MODEM FLAT CABLE | MFC-8530DN | | |
| 5 | D000JH001 | 1 | MODEM FLAT CABLE | MFC-8535DN | | |
| 5 | D000JH001 | 1 | MODEM FLAT CABLE | MFC-8540DN | | |
| 5 | D000JH001 | 1 | MODEM FLAT CABLE | MFC-L5700DN | | |
| 5 | D000JH001 | 1 | MODEM FLAT CABLE | MFC-L5700DW | | |
| 5 | D000JH001 | 1 | MODEM FLAT CABLE | MFC-L5702DW | | |
| 5 | D000JH001 | 1 | MODEM FLAT CABLE | MFC-L5750DW | | |
| 5 | D000JH001 | 1 | MODEM FLAT CABLE | MFC-L5755DW | | |
| 5 | D000JH001 | 1 | MODEM FLAT CABLE | MFC-L5800DW | | |
| 5 | D000JH001 | 1 | MODEM FLAT CABLE | MFC-L5802DW | | |
| 5 | D000JH001 | 1 | MODEM FLAT CABLE | MFC-L5850DW | | |
| 5 | D000JH001 | 1 | MODEM FLAT CABLE | MFC-L5900DW | | |
| 5 | D000JH001 | 1 | MODEM FLAT CABLE | MFC-L5902DW | | |
| 5 | D000JH001 | 1 | MODEM FLAT CABLE | MFC-L6700DW | | |
| 5 | D000JH001 | 1 | MODEM FLAT CABLE | MFC-L6702DW | | |
| 5 | D000JH001 | 1 | MODEM FLAT CABLE | MFC-L6750DW | | |
| 5 | D000JH001 | 1 | MODEM FLAT CABLE | MFC-L6800DW | | |
| 5 | D000JH001 | 1 | MODEM FLAT CABLE | MFC-L6900DW | | |
| 5 | D000JH001 | 1 | MODEM FLAT CABLE | MFC-L6900DWG | | |
| 5 | D000JH001 | 1 | MODEM FLAT CABLE | MFC-L6900DWX | | |
| 5 | D000JH001 | 1 | MODEM FLAT CABLE | MFC-L6902DW | | |
| 5 | D000JH001 | 1 | MODEM FLAT CABLE | MFC-L6950DW | | |
| 5 | D000JH001 | 1 | MODEM FLAT CABLE | MFC-L6970DW | | |
| 6 | D003X0051 | 1 | MODEM PCB ASSY | MFC-8530DN | | |
| 6 | D003X0051 | 1 | MODEM PCB ASSY | MFC-8535DN | | |
| 6 | D003X0051 | 1 | MODEM PCB ASSY | MFC-8540DN | | |
| 6 | D003X0052 | 1 | MODEM PCB ASSY | MFC-L5700DN | FOR GER/UK/SWI/ITA/IBE/GULF/RUS/FRA/BEL/NLD/PND/CEE | |
| 6 | D003X0051 | 1 | MODEM PCB ASSY | MFC-L5700DN | FOR TWN/ASA/KOR | |
| 6 | D003X0051 | 1 | MODEM PCB ASSY | MFC-L5700DW | | |
| 6 | D003X0051 | 1 | MODEM PCB ASSY | MFC-L5702DW | | |
| 6 | D003X0052 | 1 | MODEM PCB ASSY | MFC-L5750DW | | |
| 6 | D003X0053 | 1 | MODEM PCB ASSY | MFC-L5755DW | FOR ARL | |
| 6 | D003X0051 | 1 | MODEM PCB ASSY | MFC-L5755DW | FOR NZ | |
| 6 | D003X0052 | 1 | MODEM PCB ASSY | MFC-L5755DW | FOR GULF | |
| 6 | D003X0051 | 1 | MODEM PCB ASSY | MFC-L5800DW | | |
| 6 | D003X0051 | 1 | MODEM PCB ASSY | MFC-L5802DW | | |
| 6 | D003X0051 | 1 | MODEM PCB ASSY | MFC-L5850DW | | |
| 6 | D003X0051 | 1 | MODEM PCB ASSY | MFC-L5900DW | FOR USA/CAN/CHL/ASA/IND | |

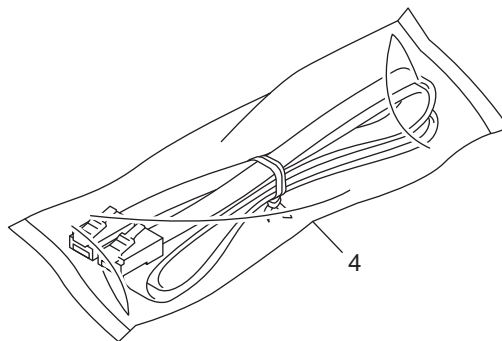
13. PCB

| REF No. | CODE | Q'TY | DESCRIPTION | MODEL | SPEC | REMARKS |
|---------|-----------|------|----------------|--------------|---|---------|
| 6 | D003X0052 | 1 | MODEM PCB ASSY | MFC-L5900DW | FOR GULF | |
| 6 | D003X0051 | 1 | MODEM PCB ASSY | MFC-L5902DW | | |
| 6 | D003X0051 | 1 | MODEM PCB ASSY | MFC-L6700DW | FOR USA/CAN/NZ/CHL/MEX | |
| 6 | D003X0053 | 1 | MODEM PCB ASSY | MFC-L6700DW | FOR ARL | |
| 6 | D003X0052 | 1 | MODEM PCB ASSY | MFC-L6700DW | FOR GULF | |
| 6 | D003X0051 | 1 | MODEM PCB ASSY | MFC-L6702DW | | |
| 6 | D003X0051 | 1 | MODEM PCB ASSY | MFC-L6750DW | | |
| 6 | D003X0051 | 1 | MODEM PCB ASSY | MFC-L6800DW | FOR USA | |
| 6 | D003X0052 | 1 | MODEM PCB ASSY | MFC-L6800DW | FOR GER/UK/SWI/ITA/IBE/ISR/ RUS/PND/CEE/GEN/ITA CONSIP | |
| 6 | D003X0051 | 1 | MODEM PCB ASSY | MFC-L6900DW | FOR USA/CAN/TWN/NZ/ARG/CHL/ ASA/KOR/MEX | |
| 6 | D003X0052 | 1 | MODEM PCB ASSY | MFC-L6900DW | FOR GER/UK/SWI/ITA/IBE/ISR/ GULF/RUS/PND/CEE/GEN | |
| 6 | D003X0053 | 1 | MODEM PCB ASSY | MFC-L6900DW | FOR ARL | |
| 6 | D003X0051 | 1 | MODEM PCB ASSY | MFC-L6900DWG | | |
| 6 | D003X0051 | 1 | MODEM PCB ASSY | MFC-L6900DWX | | |
| 6 | D003X0051 | 1 | MODEM PCB ASSY | MFC-L6902DW | | |
| 6 | D003X0052 | 1 | MODEM PCB ASSY | MFC-L6950DW | | |
| 6 | D003X0052 | 1 | MODEM PCB ASSY | MFC-L6970DW | | |

14. ACCESSORIES



REF No. 3 has no picture.



14. ACCESSORIES

| REF No. | CODE | Q'TY | DESCRIPTION | MODEL | SPEC | REMARKS |
|---------|----------------------|------|---|------------------------|---|---------|
| 1 | D00YXU001 | 1 | AC CORD BAG ASSY C13 VDE NS100 | DCP-L5500D | | CHG |
| 1 | D00YXR001 | 1 | AC CORD BAG ASSY C13 UL/CSA 16 | DCP-L5500DN | FOR USA | CHG |
| 1 | D00YXU001 | 1 | AC CORD BAG ASSY C13 VDE NS100 | DCP-L5500DN | FOR GER/ITA/IBE/RUS/FRA/BEL/ NLD/PND/CEE/ITA | CHG |
| 1 | D00YY0001 | 1 | AC CORD BAG ASSY C13 BS/PSB100 | DCP-L5500DN | FOR UK | CHG |
| 1 | D00YY8001 | 1 | AC CORD BAG ASSY C13 SEV 100 | DCP-L5500DN | FOR SWI | CHG |
| 1 | D00YYC001 | 1 | AC CORD BAG ASSY LF DEMKO | DCP-L5500DN | FOR PND | CHG |
| 1 | D00YZ2001 | 1 | AC CORD BAG ASSY C13 BRA 127V | DCP-L5502DN | | CHG |
| 1 | D00YXR001 | 1 | AC CORD BAG ASSY C13 UL/CSA 16 | DCP-L5600DN | FOR USA | CHG |
| 1 | D00YYU001 | 1 | AC CORD BAG ASSY C13 IRAM 100 | DCP-L5600DN | FOR ARG | CHG |
| 1 | D00YXU001 | 1 | AC CORD BAG ASSY C13 VDE NS100 | DCP-L5600DN | FOR ASA | CHG |
| 1 | D00YY0001 | 1 | AC CORD BAG ASSY C13 BS/PSB100 | DCP-L5600DN | FOR ASA | CHG |
| 1 | D00YZ7001 | 1 | AC CORD BAG ASSY C13 IND | DCP-L5600DN | FOR IND | CHG |
| 1 | D00YZ2001 | 1 | AC CORD BAG ASSY C13 BRA 127V | DCP-L5602DN | | CHG |
| 1 | D00YXR001 | 1 | AC CORD BAG ASSY C13 UL/CSA 16 | DCP-L5650DN | FOR USA | CHG |
| 1 | D00YYU001 | 1 | AC CORD BAG ASSY C13 IRAM 100 | DCP-L5650DN | FOR ARG | CHG |
| 1 | D00YXX001 | 1 | AC CORD BAG ASSY C13 CHILE 100 | DCP-L5650DN | FOR CHL | CHG |
| 1 | D00YZB001 | 1 | AC CORD BAG ASSY C13 PERU | DCP-L5650DN | FOR CHL | CHG |
| 1 | D00YZ2001 | 1 | AC CORD BAG ASSY C13 BRA 127V | DCP-L5652DN | | CHG |
| 1 | D00YXU001 | 1 | AC CORD BAG ASSY C13 VDE NS100 | DCP-L6600DW | FOR GER/ITA/IBE/RUS/PND/CEE/ GEN | CHG |
| 1 | D00YY0001 | 1 | AC CORD BAG ASSY C13 BS/PSB100 | DCP-L6600DW | FOR UK | CHG |
| 1 | D00YY8001 | 1 | AC CORD BAG ASSY C13 SEV 100 | DCP-L6600DW | FOR SWI | CHG |
| 1 | D00YYE001 | 1 | AC CORD BAG ASSY C13 ISRAEL | DCP-L6600DW | FOR ISR | CHG |
| 1 | D00YYU001 | 1 | AC CORD BAG ASSY C13 IRAM 100 | DCP-L6600DW | FOR ARG | CHG |
| 1 | D00YYC001 | 1 | AC CORD BAG ASSY LF DEMKO | DCP-L6600DW | FOR PND | CHG |
| 1 | D00YXU001 | 1 | AC CORD BAG ASSY C13 VDE NS100 | MFC-L5700DN | FOR GER/ITA/IBE/ASA/RUS/FRA/ BEL/NLD/PND/CEE | CHG |
| 1 | D00YY0001 | 1 | AC CORD BAG ASSY C13 BS/PSB100 | MFC-L5700DN | FOR UK/ASA | CHG |
| 1 | D00YY8001 | 1 | AC CORD BAG ASSY C13 SEV 100 | MFC-L5700DN | FOR SWI | CHG |
| 1 | D01892001 | 1 | AC CORD BAG TWN (SP) | MFC-L5700DN | FOR TWN | CHG |
| 1 | D00YYR001 | 1 | AC CORD BAG ASSY C13 SAF | MFC-L5700DN | FOR GULF | CHG |
| 1 | D00YZ5001 | 1 | AC CORD BAG ASSY C13 KOR | MFC-L5700DN | FOR KOR | CHG |
| 1 | D00YYC001 | 1 | AC CORD BAG ASSY LF DEMKO | MFC-L5700DN | FOR PND | CHG |
| 1 | D00YXR001 | 1 | AC CORD BAG ASSY C13 UL/CSA 16 | MFC-L5700DW | FOR USA/CAN | CHG |
| 1 | D00YZ5001 | 1 | AC CORD BAG ASSY C13 KOR | MFC-L5700DW | FOR KOR | CHG |
| 1 | D00YZ2001 | 1 | AC CORD BAG ASSY C13 BRA 127V | MFC-L5702DW | | CHG |
| 1 | D00YXU001 | 1 | AC CORD BAG ASSY C13 VDE NS100 | MFC-L5750DW | FOR GER/ITA/IBE/TUR/RUS/FRA/ BEL/NLD/CEE | CHG |
| 1 | D00YY0001 | 1 | AC CORD BAG ASSY C13 BS/PSB100 | MFC-L5750DW | FOR UK | CHG |
| 1 | D00YYE001 | 1 | AC CORD BAG ASSY C13 ISRAEL | MFC-L5750DW | FOR ISR | CHG |
| 1 | D00YY8001 | 1 | AC CORD BAG ASSY C13 SEV 100 | MFC-L5750DW | FOR SWI | CHG |
| 1 | D00YY5001 | 1 | AC CORD BAG ASSY C13 SAA 100 | MFC-L5755DW | FOR ARL/NZ | CHG |
| 1 | D00YXU001 | 1 | AC CORD BAG ASSY C13 VDE NS100 | MFC-L5755DW | FOR GULF | CHG |
| 1 | D00YY0001 | 1 | AC CORD BAG ASSY C13 BS/PSB100 | MFC-L5755DW | FOR GULF | CHG |
| 1 | D00YXR001 | 1 | AC CORD BAG ASSY C13 UL/CSA 16 | MFC-L5800DW | FOR USA/CAN | CHG |
| 1 | D00YYU001 | 1 | AC CORD BAG ASSY C13 IRAM 100 | MFC-L5800DW | FOR ARG | CHG |
| 1 | D00YZ2001 | 1 | AC CORD BAG ASSY C13 BRA 127V | MFC-L5802DW | | CHG |
| 1 | D00YXR001 | 1 | AC CORD BAG ASSY C13 UL/CSA 16 | MFC-L5850DW | | CHG |
| 1 | D00YXR001 | 1 | AC CORD BAG ASSY C13 UL/CSA 16 | MFC-L5900DW | FOR USA/CAN | CHG |
| 1 | D00YXX001 | 1 | AC CORD BAG ASSY C13 CHILE 100 | MFC-L5900DW | FOR CHL | CHG |
| 1 | D00YZB001 | 1 | AC CORD BAG ASSY C13 PERU | MFC-L5900DW | FOR CHL/ASA | CHG |
| 1 | D00YXU001 | 1 | AC CORD BAG ASSY C13 VDE NS100 | MFC-L5900DW | FOR ASA/GULF | CHG |
| 1 | D00YY0001 | 1 | AC CORD BAG ASSY C13 BS/PSB100 | MFC-L5900DW | FOR ASA/GULF | CHG |
| 1 | D00YYR001 | 1 | AC CORD BAG ASSY C13 SAF | MFC-L5900DW | FOR GULF | CHG |
| 1 | D00YZ7001 | 1 | AC CORD BAG ASSY C13 IND | MFC-L5900DW | FOR IND | CHG |
| 1 | D00YZ2001 | 1 | AC CORD BAG ASSY C13 BRA 127V | MFC-L5902DW | | CHG |
| 1 | D00YXR001 | 1 | AC CORD BAG ASSY C13 UL/CSA 16 | MFC-L6700DW | FOR USA/CAN/MEX | CHG |
| 1 | D00YY5001 | 1 | AC CORD BAG ASSY C13 SAA 100 | MFC-L6700DW | FOR ARL/NZ | CHG |
| 1 | D00YXX001 | 1 | AC CORD BAG ASSY C13 CHILE 100 | MFC-L6700DW | FOR CHL | CHG |
| 1 | D00YZB001 | 1 | AC CORD BAG ASSY C13 PERU | MFC-L6700DW | FOR CHL | CHG |
| 1 | D00YXU001 | 1 | AC CORD BAG ASSY C13 VDE NS100 | MFC-L6700DW | FOR GULF | CHG |
| 1 | D00YZ2001 | 1 | AC CORD BAG ASSY C13 BRA 127V | MFC-L6702DW | | CHG |
| 1 | D00YXR001 | 1 | AC CORD BAG ASSY C13 UL/CSA 16 | MFC-L6750DW | | CHG |
| 1 | D00YXR001 | 1 | AC CORD BAG ASSY C13 UL/CSA 16 | MFC-L6800DW | FOR USA | CHG |
| 1 | D00YXU001 | 1 | AC CORD BAG ASSY C13 VDE NS100 | MFC-L6800DW | FOR GER/ITA/IBE/RUS/PND/CEE/ GEN/ITA_CONSIP | CHG |
| 1 | D00YY0001 | 1 | AC CORD BAG ASSY C13 BS/PSB100 | MFC-L6800DW | FOR UK | CHG |

14. ACCESSORIES

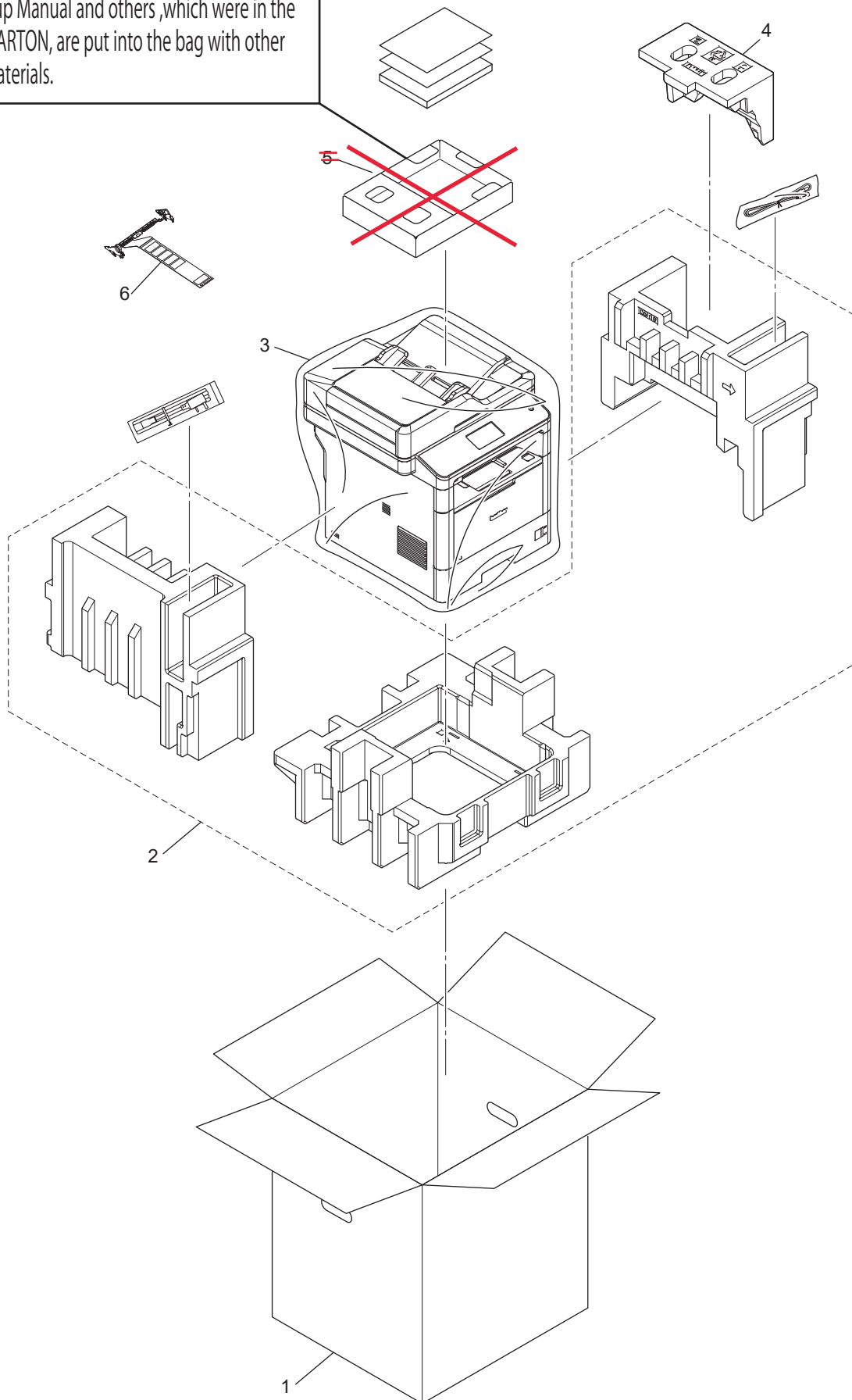
| REF No. | CODE | Q'TY | DESCRIPTION | MODEL | SPEC | REMARKS |
|---------|-----------|------|--------------------------------|--------------|---|---------|
| 1 | D00YY8001 | 1 | AC CORD BAG ASSY C13 SEV 100 | MFC-L6800DW | FOR SWI | CHG |
| 1 | D00YYE001 | 1 | AC CORD BAG ASSY C13 ISRAEL | MFC-L6800DW | FOR ISR | CHG |
| 1 | D00YYC001 | 1 | AC CORD BAG ASSY LF DEMKO | MFC-L6800DW | FOR PND | CHG |
| 1 | D00YXR001 | 1 | AC CORD BAG ASSY C13 UL/CSA 16 | MFC-L6900DW | FOR USA/CAN/MEX | CHG |
| 1 | D01892001 | 1 | AC CORD BAG TWN(SP) | MFC-L6900DW | | CHG |
| 1 | D00YXU001 | 1 | AC CORD BAG ASSY C13 VDE NS100 | MFC-L6900DW | FOR GER/ITA/IBE/ASA/GULF/ RUS/PND/CEE/GEN | CHG |
| 1 | D00YY0001 | 1 | AC CORD BAG ASSY C13 BS/PSB100 | MFC-L6900DW | FOR UK/ASA/GULF | CHG |
| 1 | D00YY5001 | 1 | AC CORD BAG ASSY C13 SAA 100 | MFC-L6900DW | FOR ARL/NZ | CHG |
| 1 | D00YY8001 | 1 | AC CORD BAG ASSY C13 SEV 100 | MFC-L6900DW | FOR SWI | CHG |
| 1 | D00YYE001 | 1 | AC CORD BAG ASSY C13 ISRAEL | MFC-L6900DW | FOR ISR | CHG |
| 1 | D00YU001 | 1 | AC CORD BAG ASSY C13 IRAM 100 | MFC-L6900DW | FOR ARG | CHG |
| 1 | D00YYX001 | 1 | AC CORD BAG ASSY C13 CHILE 100 | MFC-L6900DW | FOR CHL | CHG |
| 1 | D00YZB001 | 1 | AC CORD BAG ASSY C13 PERU | MFC-L6900DW | FOR CHL/ASA | CHG |
| 1 | D00YYR001 | 1 | AC CORD BAG ASSY C13 SAF | MFC-L6900DW | FOR GULF | CHG |
| 1 | D00YYC001 | 1 | AC CORD BAG ASSY LF DEMKO | MFC-L6900DW | FOR PND | CHG |
| 1 | D00YZ5001 | 1 | AC CORD BAG ASSY C13 KOR | MFC-L6900DW | FOR KOR | CHG |
| 1 | D00YXR001 | 1 | AC CORD BAG ASSY C13 UL/CSA 16 | MFC-L6900DWG | | CHG |
| 1 | D00YXR001 | 1 | AC CORD BAG ASSY C13 UL/CSA 16 | MFC-L6900DWX | | |
| 1 | D00YZ2001 | 1 | AC CORD BAG ASSY C13 BRA 127V | MFC-L6902DW | | CHG |
| 1 | D00YXU001 | 1 | AC CORD BAG ASSY C13 VDE NS100 | MFC-L6950DW | FOR | CHG |
| 1 | D00YY0001 | 1 | AC CORD BAG ASSY C13 BS/PSB100 | MFC-L6950DW | FOR UK | CHG |
| 1 | D00YY8001 | 1 | AC CORD BAG ASSY C13 SEV 100 | MFC-L6950DW | FOR SWI | CHG |
| 1 | D00YXU001 | 1 | AC CORD BAG ASSY C13 VDE NS100 | MFC-L6970DW | FOR GER/PND/GEN | CHG |
| 1 | D00YY0001 | 1 | AC CORD BAG ASSY C13 BS/PSB100 | MFC-L6970DW | FOR UK | CHG |
| 1 | D00YY8001 | 1 | AC CORD BAG ASSY C13 SEV 100 | MFC-L6970DW | FOR SWI | CHG |
| 2 | XA9940051 | 1 | TOUCH PEN | | | |
| (3) | D00363001 | 1 | FRENCH PANEL STICKER DL-FB | MFC-L5700DW | FOR CAN | |
| (3) | D00363001 | 1 | FRENCH PANEL STICKER DL-FB | MFC-L5800DW | FOR CAN | |
| (3) | D00363001 | 1 | FRENCH PANEL STICKER DL-FB | MFC-L5900DW | FOR CAN | |
| (3) | D00363001 | 1 | FRENCH PANEL STICKER DL-FB | MFC-L6700DW | FOR CAN | |
| (3) | D00363001 | 1 | FRENCH PANEL STICKER DL-FB | MFC-L6900DW | FOR CAN | |
| 4 | LG3077001 | 1 | TELEPHONE LINE CORD CSA | MFC-8530DN | | |
| 4 | LG3077001 | 1 | TELEPHONE LINE CORD CSA | MFC-8535DN | | |
| 4 | LG3077001 | 1 | TELEPHONE LINE CORD CSA | MFC-8540DN | | |
| 4 | UG3625001 | 1 | TELEPHONE LINE CORD GER | MFC-L5700DN | FOR GER | |
| 4 | UG4205001 | 1 | TELEPHONE LINE CORD AUS | MFC-L5700DN | FOR GER | |
| 4 | LG3077001 | 1 | TELEPHONE LINE CORD CSA | MFC-L5700DN | FOR UK/TWN/ASA/GULF/KOR/RUS/ FRA/BEL/NLD/CEE | |
| 4 | UG3626001 | 1 | TELEPHONE LINE CORD UK6P | MFC-L5700DN | FOR UK | |
| 4 | LG7202001 | 1 | TELEPHONE LINE CORD SWI | MFC-L5700DN | FOR SWI | |
| 4 | LT2144001 | 1 | TELEPHONE LINE CORD ITA | MFC-L5700DN | FOR ITA/IBE | |
| 4 | UG3627001 | 1 | TELEPHONE LINE CORD FRA | MFC-L5700DN | FOR FRA/BEL/NLD | |
| 4 | UG1575001 | 1 | TELEPHONE LINE CORD BEL | MFC-L5700DN | FOR FRA/BEL/NLD | |
| 4 | LG5827001 | 1 | TELEPHONE LINE CORD RJ45 | MFC-L5700DN | FOR PND | |
| 4 | LG3077001 | 1 | TELEPHONE LINE CORD CSA | MFC-L5700DW | | |
| 4 | LG3077001 | 1 | TELEPHONE LINE CORD CSA | MFC-L5702DW | | |
| 4 | UG3625001 | 1 | TELEPHONE LINE CORD GER | MFC-L5750DW | FOR GER | |
| 4 | UG4205001 | 1 | TELEPHONE LINE CORD AUS | MFC-L5750DW | FOR GER | |
| 4 | LG3077001 | 1 | TELEPHONE LINE CORD CSA | MFC-L5750DW | FOR UK/ISR/TUR/RUS/FRA/BEL/ NLD/CEE | |
| 4 | UG3626001 | 1 | TELEPHONE LINE CORD UK6P | MFC-L5750DW | FOR UK | |
| 4 | UG3627001 | 1 | TELEPHONE LINE CORD FRA | MFC-L5750DW | FOR FRA/BEL/NLD | |
| 4 | LG7202001 | 1 | TELEPHONE LINE CORD SWI | MFC-L5750DW | FOR SWI | |
| 4 | LT2144001 | 1 | TELEPHONE LINE CORD ITA | MFC-L5750DW | FOR ITA/IBE | |
| 4 | UG1575001 | 1 | TELEPHONE LINE CORD BEL | MFC-L5750DW | FOR FRA/BEL/NLD | |
| 4 | LT3317001 | 1 | TELEPHONE LINE CORD CSA2 | MFC-L5755DW | FOR ARL | |
| 4 | UG3290001 | 1 | TELEPHONE LINE CORD NZ | MFC-L5755DW | FOR NZ | |
| 4 | LG3077001 | 1 | TELEPHONE LINE CORD CSA | MFC-L5755DW | FOR GULF | |
| 4 | LG3077001 | 1 | TELEPHONE LINE CORD CSA | MFC-L5800DW | | |
| 4 | LG3077001 | 1 | TELEPHONE LINE CORD CSA | MFC-L5802DW | | |
| 4 | LG3077001 | 1 | TELEPHONE LINE CORD CSA | MFC-L5850DW | | |
| 4 | LG3077001 | 1 | TELEPHONE LINE CORD CSA | MFC-L5900DW | | |
| 4 | LG3077001 | 1 | TELEPHONE LINE CORD CSA | MFC-L5902DW | | |
| 4 | LG3077001 | 1 | TELEPHONE LINE CORD CSA | MFC-L6700DW | FOR USA/CAN/CHL/MEX/GULF | |
| 4 | LT3317001 | 1 | TELEPHONE LINE CORD CSA2 | MFC-L6700DW | FOR ARL | |
| 4 | UG3290001 | 1 | TELEPHONE LINE CORD NZ | MFC-L6700DW | FOR NZ | |
| 4 | LG3077001 | 1 | TELEPHONE LINE CORD CSA | MFC-L6702DW | | |

14. ACCESSORIES

| REF No. | CODE | Q'TY | DESCRIPTION | MODEL | SPEC | REMARKS |
|---------|-----------|------|--------------------------|--------------|---|---------|
| 4 | LG3077001 | 1 | TELEPHONE LINE CORD CSA | MFC-L6750DW | | |
| 4 | LG3077001 | 1 | TELEPHONE LINE CORD CSA | MFC-L6800DW | FOR USA/UK/ITA/IBE/ISR/RUS/CEE/GEN | |
| 4 | UG3625001 | 1 | TELEPHONE LINE CORD GER | MFC-L6800DW | FOR GER | |
| 4 | UG4205001 | 1 | TELEPHONE LINE CORD AUS | MFC-L6800DW | FOR GER | |
| 4 | UG3626001 | 1 | TELEPHONE LINE CORD UK6P | MFC-L6800DW | FOR UK | |
| 4 | LG7202001 | 1 | TELEPHONE LINE CORD SWI | MFC-L6800DW | FOR SWI | |
| 4 | LT2144001 | 1 | TELEPHONE LINE CORD ITA | MFC-L6800DW | FOR ITA/IBE/CEE/GEN/ITA_CONSIP | |
| 4 | UG3627001 | 1 | TELEPHONE LINE CORD FRA | MFC-L6800DW | FOR ITA/IBE/CEE/GEN | |
| 4 | UG1575001 | 1 | TELEPHONE LINE CORD BEL | MFC-L6800DW | FOR ITA/IBE/CEE/GEN | |
| 4 | LG5827001 | 1 | TELEPHONE LINE CORD RJ45 | MFC-L6800DW | FOR PND | |
| 4 | LG3077001 | 1 | TELEPHONE LINE CORD CSA | MFC-L6900DW | FOR USA/CAN/UK/ITA/IBE/ISR/TWN/ARG/CHL/ASA/GULF/KOR/MEX/RUS/CEE/GEN | |
| 4 | UG3625001 | 1 | TELEPHONE LINE CORD GER | MFC-L6900DW | FOR GER | |
| 4 | UG4205001 | 1 | TELEPHONE LINE CORD AUS | MFC-L6900DW | FOR GER | |
| 4 | UG3626001 | 1 | TELEPHONE LINE CORD UK6P | MFC-L6900DW | FOR UK | |
| 4 | LT3317001 | 1 | TELEPHONE LINE CORD CSA2 | MFC-L6900DW | FOR ARL | |
| 4 | LG7202001 | 1 | TELEPHONE LINE CORD SWI | MFC-L6900DW | FOR SWI | |
| 4 | LT2144001 | 1 | TELEPHONE LINE CORD ITA | MFC-L6900DW | FOR ITA/IBE/CEE/GEN | |
| 4 | UG3627001 | 1 | TELEPHONE LINE CORD FRA | MFC-L6900DW | FOR ITA/IBE/CEE/GEN | |
| 4 | UG1575001 | 1 | TELEPHONE LINE CORD BEL | MFC-L6900DW | FOR ITA/IBE/CEE/GEN | |
| 4 | UG3290001 | 1 | TELEPHONE LINE CORD NZ | MFC-L6900DW | FOR NZ | |
| 4 | LG5827001 | 1 | TELEPHONE LINE CORD RJ45 | MFC-L6900DW | FOR PND | |
| 4 | LG3077001 | 1 | TELEPHONE LINE CORD CSA | MFC-L6900DWG | | |
| 4 | LG3077001 | 1 | TELEPHONE LINE CORD CSA | MFC-L6900DWX | | |
| 4 | LG3077001 | 1 | TELEPHONE LINE CORD CSA | MFC-L6902DW | | |
| (5) | LG5830001 | 1 | TELEPHONE PLUG SWE | MFC-L5700DN | FOR PND | |
| (5) | LG5829001 | 1 | TELEPHONE PLUG FIN | MFC-L5700DN | FOR PND | |
| (5) | LG5828001 | 1 | TELEPHONE PLUG DEN | MFC-L5700DN | FOR PND | |
| (5) | LT3927001 | 1 | TELEPHONE PLUG ARL2 | MFC-L5755DW | FOR ARL | |
| (5) | LT3927001 | 1 | TELEPHONE PLUG ARL2 | MFC-L6700DW | FOR ARL | |
| (5) | LG5830001 | 1 | TELEPHONE PLUG SWE | MFC-L6800DW | FOR PND | |
| (5) | LG5829001 | 1 | TELEPHONE PLUG FIN | MFC-L6800DW | FOR PND | |
| (5) | LG5828001 | 1 | TELEPHONE PLUG DEN | MFC-L6800DW | FOR PND | |
| (5) | LT3927001 | 1 | TELEPHONE PLUG ARL2 | MFC-L6900DW | FOR ARL | |
| (5) | LG5828001 | 1 | TELEPHONE PLUG DEN | MFC-L6900DW | FOR PND | |
| (5) | LG5830001 | 1 | TELEPHONE PLUG SWE | MFC-L6900DW | FOR PND | |
| (5) | LG5829001 | 1 | TELEPHONE PLUG FIN | MFC-L6900DW | FOR PND | |

15. PACKING MATERIALS

OPTION CARTON was discontinued.
Quick Setup Manual and others, which were in the
OPTION CARTON, are put into the bag with other
printed materials.



15. PACKING MATERIALS

| REF No. | CODE | Q'TY | DESCRIPTION | MODEL | SPEC | REMARKS |
|---------|-----------|------|-----------------------|--------------|--|---------|
| 1 | D008M9001 | 1 | CARTON 5500D AP | DCP-L5500D | | |
| 1 | D00550001 | 1 | CARTON 5500DN US | DCP-L5500DN | FOR USA | |
| 1 | D004R0001 | 1 | CARTON 5500DN EUR | DCP-L5500DN | FOR GER/UK/SWI/ITA/IBE/RUS/ FRA/BEL/NLD/PND/CEE/ITA | |
| 1 | D005WW001 | 1 | CARTON 5502DN BRA | DCP-L5502DN | | |
| 1 | D0055P001 | 1 | CARTON 5600DN US | DCP-L5600DN | FOR USA | |
| 1 | D006VF001 | 1 | CARTON 5600DN ARG | DCP-L5600DN | FOR ARG | |
| 1 | D0065S001 | 1 | CARTON 5600DN AP | DCP-L5600DN | FOR ASA/IND | |
| 1 | D01E9P001 | 1 | CARTON 5602DN BRA 2 | DCP-L5602DN | | CHG |
| 1 | D00563001 | 1 | CARTON 5650DN US | DCP-L5650DN | FOR USA | |
| 1 | D006VJ001 | 1 | CARTON 5650DN ARG/CHL | DCP-L5650DN | FOR ARG/CHL | |
| 1 | D01E9R001 | 1 | CARTON 5652DN BRA 2 | DCP-L5652DN | | CHG |
| 1 | D00584001 | 1 | CARTON 6600DW EUR | DCP-L6600DW | FOR GER/UK/SWI/ITA/IBE/ISR/ RUS/PND/CEE/GEN | |
| 1 | D00LTD001 | 1 | CARTON 6600DW ARG | DCP-L6600DW | FOR ARG | |
| 1 | D007F8001 | 1 | CARTON 8530DN CHN | MFC-8530DN | | |
| 1 | D007F9001 | 1 | CARTON 8535DN CHN | MFC-8535DN | | |
| 1 | D007FB001 | 1 | CARTON 8540DN CHN | MFC-8540DN | | |
| 1 | D004R1001 | 1 | CARTON 5700DN EUR | MFC-L5700DN | FOR GER/UK/SWI/ITA/IBE/RUS/ FRA/BEL/NLD/PND/CEE | |
| 1 | D0069C001 | 1 | CARTON 5700DN AP | MFC-L5700DN | FOR TWN/ASA/GULF/KOR | |
| 1 | D005CV001 | 1 | CARTON 5700DW US-C | MFC-L5700DW | FOR USA | |
| 1 | D005D2001 | 1 | CARTON 5700DW CAN-C | MFC-L5700DW | FOR CAN | |
| 1 | D010Y6001 | 1 | CARTON 5700DW KOR | MFC-L5700DW | FOR KOR | |
| 1 | D007SV001 | 1 | CARTON 5702DW BRA-C | MFC-L5702DW | | |
| 1 | D004R2001 | 1 | CARTON 5750DW EUR | MFC-L5750DW | FOR GER/UK/SWI/ITA/IBE/ISR/ RUS/FRA/BEL/NLD/CEE | |
| 1 | D0111C001 | 1 | CARTON 5750DW TUR | MFC-L5750DW | FOR TUR | |
| 1 | D0078P001 | 1 | CARTON 5755DW AP | MFC-L5755DW | | |
| 1 | D005DL001 | 1 | CARTON 5800DW US-C | MFC-L5800DW | FOR USA | |
| 1 | D005DR001 | 1 | CARTON 5800DW CAN-C | MFC-L5800DW | FOR CAN | |
| 1 | D006VL001 | 1 | CARTON 5800DW ARG-C | MFC-L5800DW | FOR ARG | |
| 1 | D007TM001 | 1 | CARTON 5802DW BRA-C | MFC-L5802DW | | |
| 1 | D006T5001 | 1 | CARTON 5850DW US-C | MFC-L5850DW | | |
| 1 | D0053M001 | 1 | CARTON 5900DW US-C | MFC-L5900DW | FOR USA | |
| 1 | D0055A001 | 1 | CARTON 5900DW CAN-C | MFC-L5900DW | FOR CAN | |
| 1 | D009K0001 | 1 | CARTON 5900DW CHL-C | MFC-L5900DW | FOR CHL | |
| 1 | D006DC001 | 1 | CARTON 5900DW AP | MFC-L5900DW | FOR ASA/GULF/IND | |
| 1 | D007TU001 | 1 | CARTON 5902DW BRA-C | MFC-L5902DW | | |
| 1 | D005LC001 | 1 | CARTON 6700DW US | MFC-L6700DW | FOR USA/MEX | |
| 1 | D005LE001 | 1 | CARTON 6700DW CAN-C | MFC-L6700DW | FOR CAN | |
| 1 | D008JK001 | 1 | CARTON 6700DW AP | MFC-L6700DW | FOR ARL/NZ/GULF | |
| 1 | D006W7001 | 1 | CARTON 6700DW CHL | MFC-L6700DW | FOR CHL | |
| 1 | D007UZ001 | 1 | CARTON 6702DW BRA | MFC-L6702DW | | |
| 1 | D005SG001 | 1 | CARTON 6750DW US | MFC-L6750DW | | |
| 1 | D005HD001 | 1 | CARTON 6800DW US | MFC-L6800DW | FOR USA | |
| 1 | D0059N001 | 1 | CARTON 6800DW EUR | MFC-L6800DW | FOR GER/UK/SWI/ITA/IBE/ISR/ RUS/PND/CEE/GEN | |
| 1 | D009GH001 | 1 | CARTON 6800DW ITA-CSP | MFC-L6800DW | FOR ITA_CONSIP | |
| 1 | D005HE001 | 1 | CARTON 6900DW US/CAN | MFC-L6900DW | FOR USA/CAN/MEX | |
| 1 | D0059P001 | 1 | CARTON 6900DW EUR | MFC-L6900DW | FOR GER/UK/SWI/ITA/IBE/ISR/ RUS/PND/CEE/GEN | |
| 1 | D008P1001 | 1 | CARTON 6900DW OCE | MFC-L6900DW | FOR ARL/NZ | |
| 1 | D008F1001 | 1 | CARTON 6900DW AP | MFC-L6900DW | FOR TWN/ASA/GULF/KOR | |
| 1 | D0083L001 | 1 | CARTON 6900DW ARG/CHL | MFC-L6900DW | FOR ARG/CHL | |
| 1 | D00VZF001 | 1 | CARTON 6900DWG US | MFC-L6900DWG | | |
| 1 | D01720001 | 1 | CARTON 6900DWX US | MFC-L6900DWX | | |
| 1 | D007V7001 | 1 | CARTON 6902DW BRA | MFC-L6902DW | | |
| 1 | D01C4V001 | 1 | CARTON 6950DW CSP ITA | MFC-L6950DW | FOR ITA_CONSIP | |
| 1 | D00Y2L001 | 1 | CARTON 6950DW EUR | MFC-L6950DW | FOR GER/UK/SWI/RUS/PND/GEN | |
| 1 | D012A8001 | 1 | CARTON 6970DW EUR | MFC-L6970DW | | |
| 2 | D001RG001 | 1 | POLYSTYRENE PAD ASSY | DCP-L5500D | | |
| 2 | D001RG001 | 1 | POLYSTYRENE PAD ASSY | DCP-L5500DN | | |
| 2 | D001RG001 | 1 | POLYSTYRENE PAD ASSY | DCP-L5502DN | | |
| 2 | D001TS001 | 1 | POLYSTYRENE PAD ASSY | DCP-L5600DN | | |
| 2 | D001TS001 | 1 | POLYSTYRENE PAD ASSY | DCP-L5602DN | | |
| 2 | D001TS001 | 1 | POLYSTYRENE PAD ASSY | DCP-L5650DN | | |
| 2 | D001TS001 | 1 | POLYSTYRENE PAD ASSY | DCP-L5652DN | | |

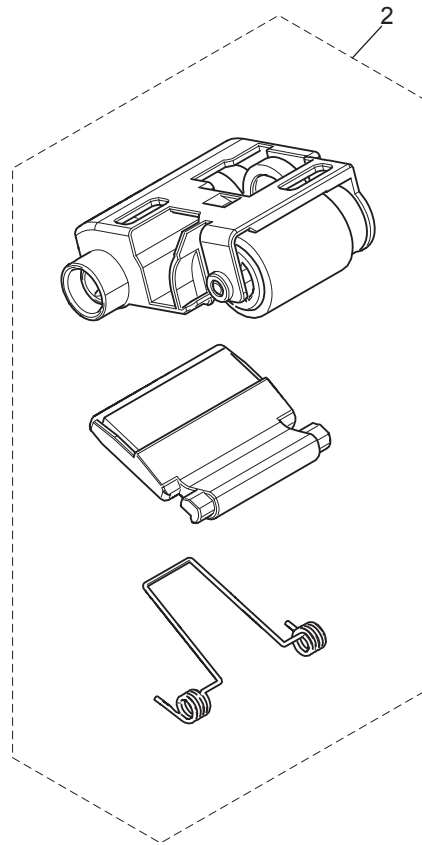
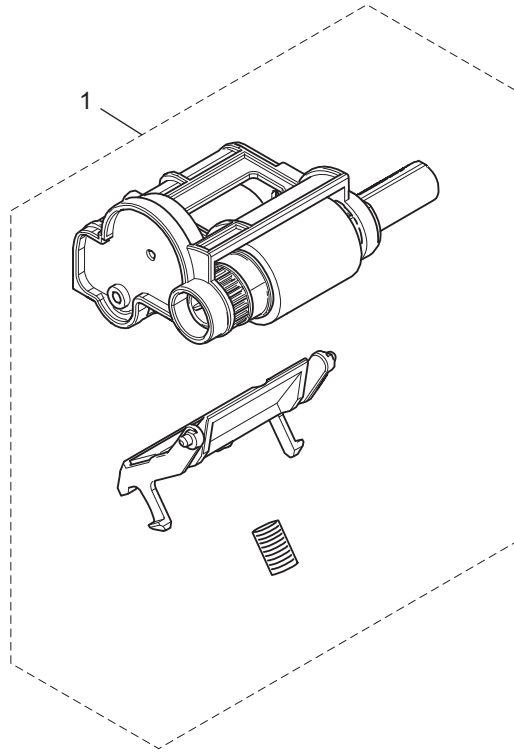
15. PACKING MATERIALS

| REF No. | CODE | Q'TY | DESCRIPTION | MODEL | SPEC | REMARKS |
|---------|-----------|------|-----------------------------|--------------|---|---------|
| 2 | D001TS001 | 1 | POLYSTYRENE PAD ASSY | DCP-L6600DW | | |
| 2 | D003V7001 | 1 | POLYSTYRENE PAD ASSY | MFC-8530DN | | |
| 2 | D003V7001 | 1 | POLYSTYRENE PAD ASSY | MFC-8535DN | | |
| 2 | D003V7001 | 1 | POLYSTYRENE PAD ASSY | MFC-8540DN | | |
| 2 | D001RG001 | 1 | POLYSTYRENE PAD ASSY | MFC-L5700DN | | |
| 2 | D001RG001 | 1 | POLYSTYRENE PAD ASSY | MFC-L5700DW | | |
| 2 | D001RG001 | 1 | POLYSTYRENE PAD ASSY | MFC-L5702DW | | |
| 2 | D001RG001 | 1 | POLYSTYRENE PAD ASSY | MFC-L5750DW | | |
| 2 | D001RG001 | 1 | POLYSTYRENE PAD ASSY | MFC-L5755DW | | |
| 2 | D001TS001 | 1 | POLYSTYRENE PAD ASSY | MFC-L5800DW | | |
| 2 | D001TS001 | 1 | POLYSTYRENE PAD ASSY | MFC-L5802DW | | |
| 2 | D001TS001 | 1 | POLYSTYRENE PAD ASSY | MFC-L5850DW | | |
| 2 | D001TS001 | 1 | POLYSTYRENE PAD ASSY | MFC-L5900DW | | |
| 2 | D001TS001 | 1 | POLYSTYRENE PAD ASSY | MFC-L5902DW | | |
| 2 | D001TS001 | 1 | POLYSTYRENE PAD ASSY | MFC-L6700DW | | |
| 2 | D001TS001 | 1 | POLYSTYRENE PAD ASSY | MFC-L6702DW | | |
| 2 | D001TH001 | 1 | POLYSTYRENE PAD ASSY | MFC-L6750DW | | |
| 2 | D001TS001 | 1 | POLYSTYRENE PAD ASSY | MFC-L6800DW | | |
| 2 | D001TH001 | 1 | POLYSTYRENE PAD ASSY | MFC-L6800DW | FOR USA/GER/UK/SWI/ITA/IBE/ ISR/RUS/PND/CEE/GEN | |
| 2 | D001TH001 | 1 | POLYSTYRENE PAD ASSY | MFC-L6900DW | FOR ITA CONSIP | |
| | | | | | FOR USA/CAN/GER/UK/SWI/ITA/ IBE/ISR/TWN/ARG/CHL/ASA/ GULF/KOR/MEX/RUS/PND/CEE/GEN | add |
| | | | | | FOR ARL/NZ | |
| 2 | D001TS001 | 1 | POLYSTYRENE PAD ASSY | MFC-L6900DW | | |
| 2 | D001TH001 | 1 | POLYSTYRENE PAD ASSY | MFC-L6900DWG | | |
| 2 | D001TH001 | 1 | POLYSTYRENE PAD ASSY | MFC-L6900DWX | | |
| 2 | D001TH001 | 1 | POLYSTYRENE PAD ASSY | MFC-L6902DW | | |
| 2 | D001TH001 | 1 | POLYSTYRENE PAD ASSY | MFC-L6950DW | | |
| 2 | D001TH001 | 1 | POLYSTYRENE PAD ASSY | MFC-L6970DW | | |
| 3 | D0078S001 | 1 | PE BAG 1000X1100 | DCP-L5500D | | |
| 3 | D0078S001 | 1 | PE BAG 1000X1100 | DCP-L5500DN | | |
| 3 | D0078S001 | 1 | PE BAG 1000X1100 | DCP-L5502DN | | |
| 3 | D0078S001 | 1 | PE BAG 1000X1100 | DCP-L5600DN | | |
| 3 | D0078S001 | 1 | PE BAG 1000X1100 | DCP-L5602DN | | |
| 3 | D0078S001 | 1 | PE BAG 1000X1100 | DCP-L5650DN | | |
| 3 | D0078S001 | 1 | PE BAG 1000X1100 | DCP-L5652DN | | |
| 3 | D0078S001 | 1 | PE BAG 1000X1100 | DCP-L6600DW | | |
| 3 | D005P9001 | 1 | BAG DL 1000X1300 | MFC-8530DN | | |
| 3 | D005P9001 | 1 | BAG DL 1000X1300 | MFC-8535DN | | |
| 3 | D005P9001 | 1 | BAG DL 1000X1300 | MFC-8540DN | | |
| 3 | D0078S001 | 1 | PE BAG 1000X1100 | MFC-L5700DN | | |
| 3 | D0078S001 | 1 | PE BAG 1000X1100 | MFC-L5700DW | | |
| 3 | D0078S001 | 1 | PE BAG 1000X1100 | MFC-L5702DW | | |
| 3 | D0078S001 | 1 | PE BAG 1000X1100 | MFC-L5750DW | | |
| 3 | D0078S001 | 1 | PE BAG 1000X1100 | MFC-L5755DW | | |
| 3 | D0078S001 | 1 | PE BAG 1000X1100 | MFC-L5800DW | | |
| 3 | D0078S001 | 1 | PE BAG 1000X1100 | MFC-L5802DW | | |
| 3 | D0078S001 | 1 | PE BAG 1000X1100 | MFC-L5850DW | | |
| 3 | D0078S001 | 1 | PE BAG 1000X1100 | MFC-L5900DW | | |
| 3 | D0078S001 | 1 | PE BAG 1000X1100 | MFC-L5902DW | | |
| 3 | D0078S001 | 1 | PE BAG 1000X1100 | MFC-L6700DW | | |
| 3 | D0078S001 | 1 | PE BAG 1000X1100 | MFC-L6702DW | | |
| 3 | D0078S001 | 1 | PE BAG 1000X1100 | MFC-L6750DW | | |
| 3 | D0078S001 | 1 | PE BAG 1000X1100 | MFC-L6800DW | | |
| 3 | D0078S001 | 1 | PE BAG 1000X1100 | MFC-L6900DW | | |
| 3 | D0078S001 | 1 | PE BAG 1000X1100 | MFC-L6900DWG | | |
| 3 | D0078S001 | 1 | PE BAG 1000X1100 | MFC-L6900DWX | | |
| 3 | D0078S001 | 1 | PE BAG 1000X1100 | MFC-L6902DW | | |
| 3 | D0078S001 | 1 | PE BAG 1000X1100 | MFC-L6950DW | | |
| 3 | D0078S001 | 1 | PE BAG 1000X1100 | MFC-L6970DW | | |
| 4 | D002JT001 | 1 | TONER PAD | MFC-L6900DWG | | |
| 6 | D008GK001 | 1 | PROTECTIVE MATERIAL ASSY SP | DCP-L5500D | | chg |
| (7) | D012R1001 | 1 | SILICA GEL | DCP-L5500D | | chg |
| (7) | D007R6001 | 1 | SILICA GEL | DCP-L5500DN | FOR USA | |
| (7) | D012R1001 | 1 | SILICA GEL | DCP-L5500DN | FOR GER/UK/SWI/ITA/IBE/RUS/ FRA/BEL/NLD/PND/CEE/ITA | |
| (7) | D007R6001 | 1 | SILICA GEL | DCP-L5502DN | | |
| (7) | D007R6001 | 1 | SILICA GEL | DCP-L5600DN | FOR USA/ARG | |

15. PACKING MATERIALS

| REF No. | CODE | Q'TY | DESCRIPTION | MODEL | SPEC | REMARKS |
|---------|-----------|------|--------------------|--------------|--|---------|
| (7) | D012R1001 | 1 | SILICA GEL | DCP-L5600DN | FOR ASA/IND | chg |
| (7) | D007R6001 | 1 | SILICA GEL | DCP-L5602DN | | |
| (7) | D007R6001 | 1 | SILICA GEL | DCP-L5650DN | | |
| (7) | D007R6001 | 1 | SILICA GEL | DCP-L5652DN | | |
| (7) | D012R1001 | 1 | SILICA GEL | DCP-L6600DW | | chg |
| (7) | D012R1001 | 1 | SILICA GEL | MFC-8530DN | | chg |
| (7) | D012R1001 | 1 | SILICA GEL | MFC-8535DN | | chg |
| (7) | D012R1001 | 1 | SILICA GEL | MFC-8540DN | | chg |
| (7) | D012R1001 | 1 | SILICA GEL | MFC-L5700DN | | chg |
| (7) | D007R6001 | 1 | SILICA GEL | MFC-L5700DW | FOR USA/CAN | |
| (7) | D012R1001 | 1 | SILICA GEL | MFC-L5700DW | FOR KOR | |
| (7) | D007R6001 | 1 | SILICA GEL | MFC-L5702DW | | |
| (7) | D012R1001 | 1 | SILICA GEL | MFC-L5750DW | | chg |
| (7) | D012R1001 | 1 | SILICA GEL | MFC-L5755DW | | chg |
| (7) | D007R6001 | 1 | SILICA GEL | MFC-L5800DW | | |
| (7) | D007R6001 | 1 | SILICA GEL | MFC-L5802DW | | |
| (7) | D007R6001 | 1 | SILICA GEL | MFC-L5850DW | | |
| (7) | D007R6001 | 1 | SILICA GEL | MFC-L5900DW | FOR USA/CAN/CHL | |
| (7) | D012R1001 | 1 | SILICA GEL | MFC-L5900DW | FOR ASA/GULF/IND | chg |
| (7) | D007R6001 | 1 | SILICA GEL | MFC-L5902DW | | |
| (7) | D007R6001 | 1 | SILICA GEL | MFC-L6700DW | FOR USA/CAN/CHL/MEX | |
| (7) | D012R1001 | 1 | SILICA GEL | MFC-L6700DW | FOR ARL/NZ/GULF | chg |
| (7) | D007R6001 | 1 | SILICA GEL | MFC-L6702DW | | |
| (7) | D007R6001 | 1 | SILICA GEL | MFC-L6750DW | | add |
| (7) | D007R6001 | 1 | SILICA GEL | MFC-L6800DW | FOR USA | |
| (7) | D012R1001 | 1 | SILICA GEL | MFC-L6800DW | FOR GER/UK/SWI/ITA/IBE/ISR/ RUS/PND/CEE/GEN/ITA_CONSIP | chg |
| (7) | D007R6001 | 1 | SILICA GEL | MFC-L6900DW | FOR USA/CAN/ARG/CHL/MEX | add |
| (7) | D012R1001 | 1 | SILICA GEL | MFC-L6900DW | FOR GER/UK/ARL/SWI/ITA/IBE/ ISR/TWN/NZ/ASA/GULF/KOR/RUS/ PND/CEE/GEN | add |
| (7) | D007R6001 | 1 | SILICA GEL | MFC-L6900DWG | | |
| (7) | D007R6001 | 1 | SILICA GEL | MFC-L6900DWX | | |
| (7) | D007R6001 | 1 | SILICA GEL | MFC-L6902DW | | |
| (7) | D012R1001 | 1 | SILICA GEL | MFC-L6950DW | | chg |
| (7) | D012R1001 | 1 | SILICA GEL | MFC-L6970DW | | |
| (8) | D00EB3001 | 1 | CHINA ENERGY LABEL | MFC-8530DN | | chg |
| (8) | D00EB4001 | 1 | CHINA ENERGY LABEL | MFC-8535DN | | chg |
| (8) | D00EB5001 | 1 | CHINA ENERGY LABEL | MFC-8540DN | | chg |
| (9) | D00VK5001 | 1 | CARTON LABEL | MFC-L5700DN | FOR TWN | chg |
| (9) | D00VK6001 | 1 | CARTON LABEL | MFC-L6900DW | FOR TWN | chg |

16. PERIODICAL MAINTENANCE PARTS



16. PERIODICAL MAINTENANCE PART

| REF No. | CODE | Q'TY | DESCRIPTION | MODEL | SPEC | REMARKS |
|---------|-----------|------|------------------|-------|------|---------|
| 1 | D008GE001 | 1 | PF KIT 1/2/3/4/5 | | | |
| 2 | D008GD001 | 1 | PF KIT MP | | | |

Appendix : About old and new NFC PCB (DL series)

As the current NFC PCB of DL series will be discontinued, it will change to new part.

They each have a different certification code about telecommunication.

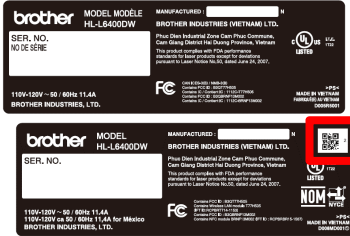

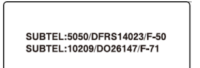



In some country, it's written in the rating/ICASA/SUBTEL label on back side of machine.

[How to distinguish old and new rating/ICASA/SUBTEL label.]

(1) MFC-8540DN

| Old | New |
|---|--|
|  <p>Rating Label</p> |  |

(2) Other related models

| Old | New |
|---|--|
| <p>No QR code or "2" in the QR code</p> <p>Rating Label (except for Chile, Gulf)</p>    | <p>"3" in the QR code</p> <p>Rating Label (except for Chile, Gulf)</p>    |

| Printer | |
|----------------------|-------|
| Other related models | Spec. |
| HL-L6300DW | US |
| HL-L6400DW | ARG |
| HL-L6400DW | CAN |
| HL-L6400DW | CHL |
| HL-L6400DW | GULF |
| HL-L6400DW | MEX |
| HL-L6400DW | TWN |
| HL-L6400DW | US |
| HL-L6400DWG | US |
| HL-L6400DWT | US |
| HL-L6400DWX | US |

| FB | |
|----------------------|-------|
| Other related models | Spec. |
| DCP-L6600DW | ARG |
| MFC-L6800DW | US |
| MFC-L6900DW | ARG |
| MFC-L6900DW | CAN |
| MFC-L6900DW | CHL |
| MFC-L6900DW | GULF |
| MFC-L6900DW | MEX |
| MFC-L6900DW | TWN |
| MFC-L6900DW | US |
| MFC-L6900DWG | US |
| MFC-L6900DWX | US |

[If you attach the part different from the label (eg. Rating label) display.]

It works normally.

The problem is the mismatch the NFC unit used in the machine and the certification code on the label.